

Thread Trimmer, Autolifter, Wiper (Pneumatic, Solenoid) for MFC-7000 Series

MFC-7000 Series

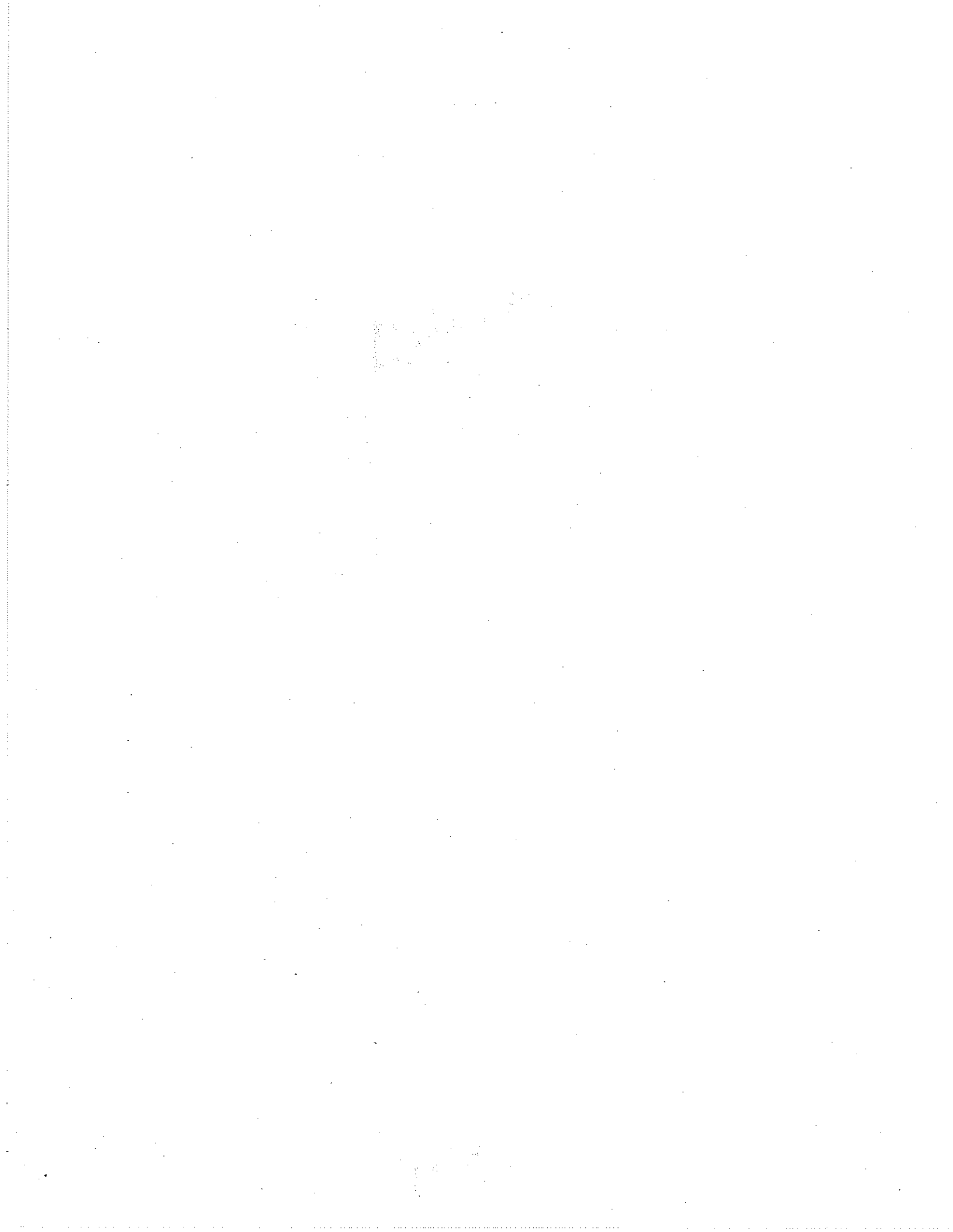
UT1 • UT2 • UT3 • UT4 • UT5

ADJUSTING INSTRUCTIONS & PARTS LIST

HOW TO MAKE USE OF THIS PARTS LIST

1. Codes on the "Amt. Req." column
 - Each numeral indicates the number of parts required.
 - "0.1" and "2.5" indicate the length (in meters) of the respective parts.
2. Parentheses mean that the corresponding part is a subpart that constructs an assembly part.
3. Dotted lines on the Figures indicate assembly parts

USE IN CONJUNCTION WITH MACHINE SERIAL NUMBER PREFIX BG AND LATER



NUMERICAL INDEX OF PARTS

<u>Part No.</u>	<u>Page No.</u>
US-0050392-AN	17
US-0050392-AR	17
US-0050392-AS	17
US-0050392-AU	17
US-0050392-AV	17
US-0050394-AJ	37
US-00670E8-15	25, 31
US-00671A3-60	35
US-00671A3-63	39
US-00671F8-2F	39
US-00671F8-2G	39
US-0099591-DN	33
US-0099591-DP	23
US-0099683-CP	29
US-029480-SU	29
US-029480A-TW	31
US-029480A-WU	29
US-029480A-XA	29
US-029480A-XJ	35
US-029480A-YH	19
US-029480A-YJ	19
US-0660Z10-99	35
US-0660Z11-05	39
US-0666Z3-30	17
US-0670E13-02	25, 31
US-067E150-8	25
WP-0450846-SP	27, 39
WS-0410002-KP	39
WS-0510002-KP	21, 35
WS-0631510-KP	21

JUKI[®]

JUKI CORPORATION

INTERNATIONAL SALES DIVISION

8-2-1, KOKURYO - CHO,

CHOFU-SHI, TOKYO 182, JAPAN

PHONE: 03(3430)4001~5

FAX: 03(3430)4909 . 4914 . 4984

JUKI

TEL. 03-3480-1111

TEL. 03-3480-1113

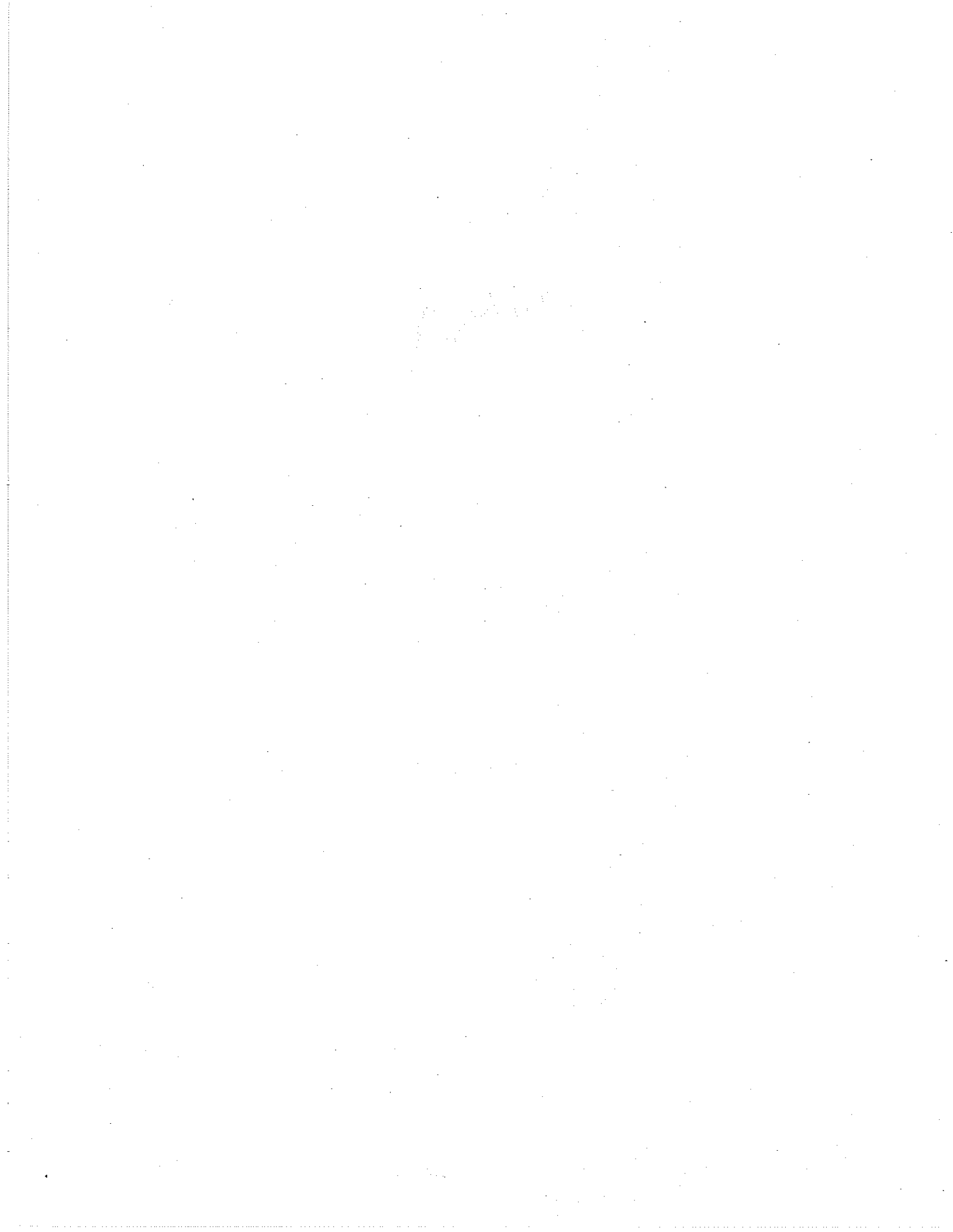
**To order or for further
information
please contact:**

*** The description covered in this parts list is subject to change for improvement of the commodity without notice.**

*** This parts list is edited in accordance with the product specifications as of September 1997.**

CONTENTS

TENSION RELEASE (UNDERBED THREAD TRIMMER)	3
THREAD PULL-OFF	4
THREADING DIAGRAM	5
UNDERBED THREAD TRIMMER (ELECTRIC)	6
UNDERBED THREAD TRIMMER ASSEMBLY	7
UNDERBED THREAD TRIMMER ASSEMBLY	8
UNDERBED THREAD TRIMMER ASSEMBLY	9
UPPER KNIFE AND CLAMPING SPRING	9
TENSION SPRING	9
UNDERBED THREAD TRIMMER ASSEMBLY	10
LOWER KNIFE FRONT TO BACK	10
STOP DISTANCE	10
GUIDE DISTANCE	10
UNDERBED THREAD TRIMMER	11
ELECTROPNEUMATIC DRIVE	11
SETTING PROXIMITY SWITCH	12
SOLENOID/PNEUMATIC THREAD WIPER	13
ADJUSTING THREAD WIPER	14
PNEUMATIC/ELECTRIC COVER THREAD TRIMMER	15
NEEDLE THREAD BLOWER ASSEMBLY	15
AIR FLOW	15
THREAD TENSION	17
UNDERBED THREAD TRIMMER ASSEMBLY	19
ELECTRIC PRESSER FOOT LIFTER ASSEMBLY	21
ELECTRIC THREAD WIPER ASSEMBLY	23
ELECTRIC DRIVE DOUBLE ACTION ASSEMBLY	25
ELECTRIC SPREADER THREAD TRIMMER ASSEMBLY	27
PNEUMATIC CONTROL	29
PNEUMATIC DRIVE DOUBLE ACTION ASSEMBLY	31
PNEUMATIC THREAD WIPER ASSEMBLY	33
PRESSER FOOT LIFTER	35
NEEDLE THREAD BLOWER ASSEMBLY	37
PNEUMATIC SPREADER THREAD TRIMMER ASSEMBLY	39
NUMERICAL INDEX OF PARTS	40
NUMERICAL INDEX OF PARTS	41



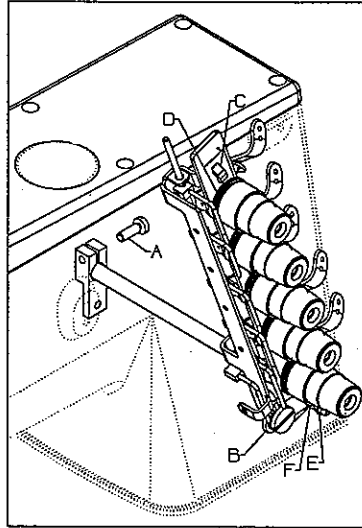
TENSION RELEASE (UNDERBED THREAD TRIMMER)

Set separators (C) as close to tension discs (D) without touching them and not to bind when fully extended.

Tension discs (D) must open as soon as cutting process begins.

Tension disc separators (C) should move freely between tension discs (D) without binding.

Thread trimmer and tension release assemblies are linked together.



TO ADJUST:

Loosen screw (E).

Turn eccentric (F), located behind screw (E) to set tension release lever (B) as required.

Retighten screw (E).

After adjustment there should be no binding at any point.

Adjust the tension release lever (A) to fully open the tension release and return without binding. The tension release is timed with the activation of the fabric thread trimmer.

THREAD PULL-OFF

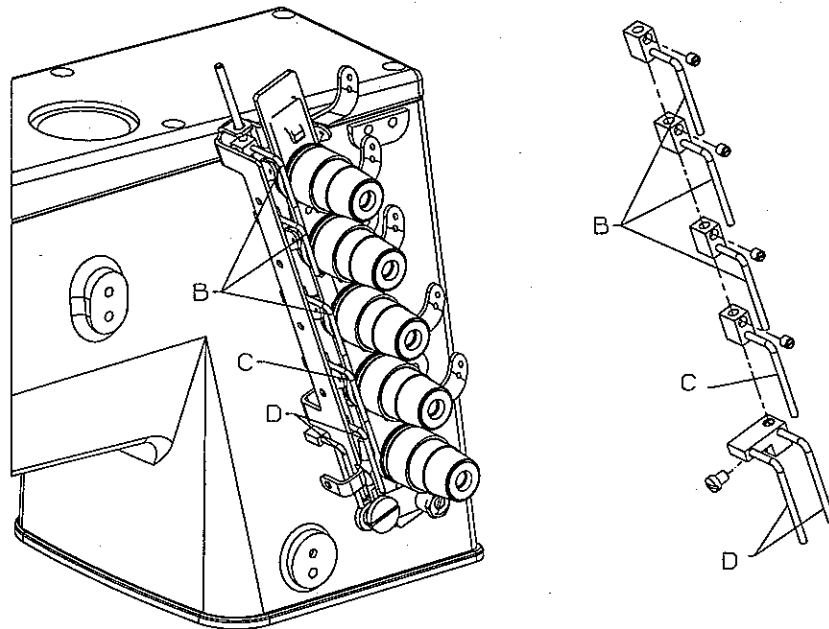
Pull-off hooks (B) for needle threads, control length of needle thread tails on a garment after trimming.

Set hooks (B) to strike-off shortest tail possible and still start sewing within the first or second stitch.

Set thread pull-off hook (C), for spreader thread so that thread is clamped securely when trimmed and starts properly when the stitch is first started. Lowering the needle thread pull off hooks will strike off more thread leaving longer tails.

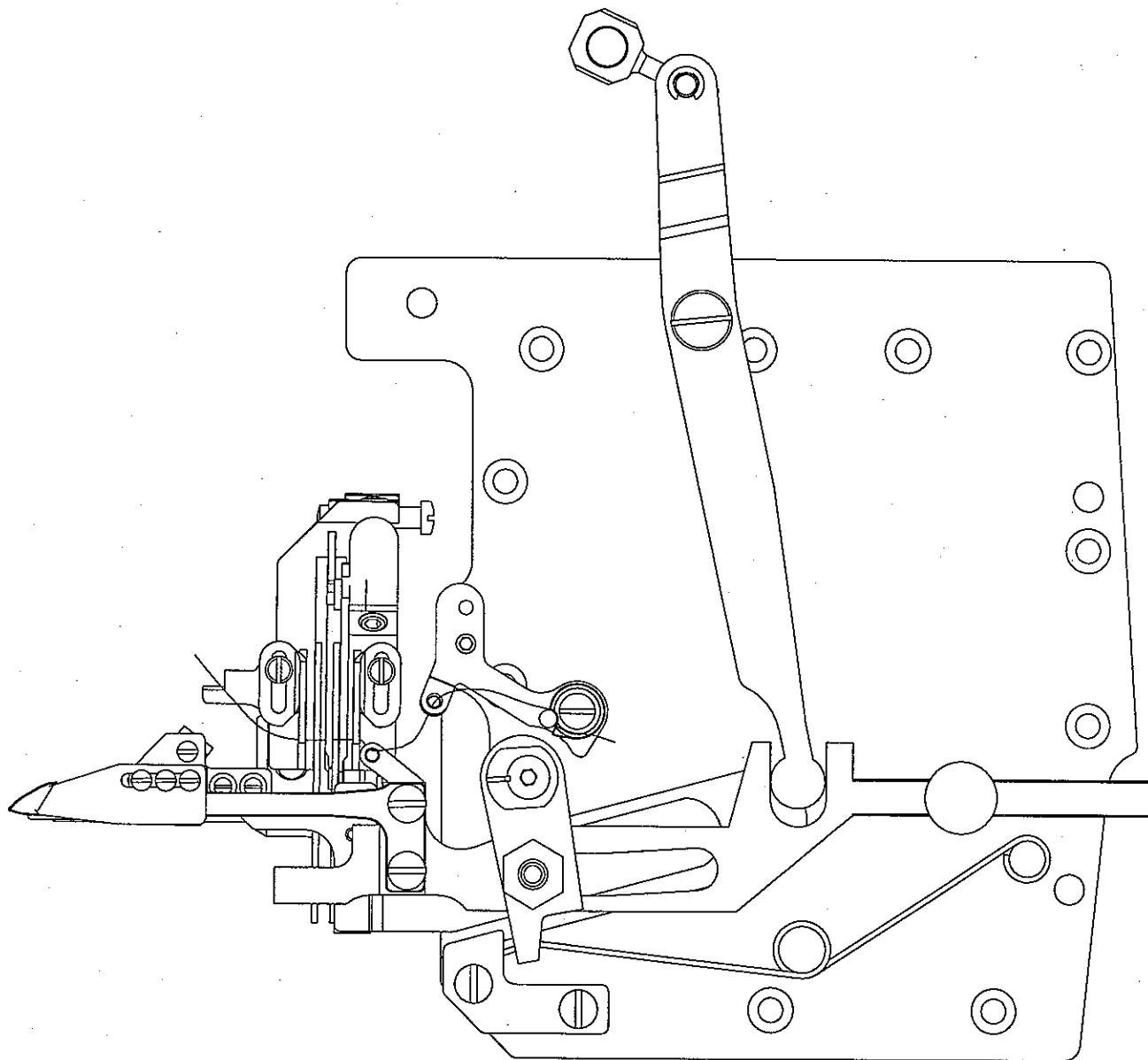
Set hook (D), for the looper thread so that the thread is clamped securely when trimmed.

NOTE: Moving strike-off hooks down strikes off more thread. Moving strike-off hooks up strikes off less thread.



THREADING DIAGRAM
Looper Thread Strike-Off

CAUTION: Improper threading may cause; looper thread wrap-ups or inconsistent start of stitches.



UNDERBED THREAD TRIMMER (ELECTRIC)

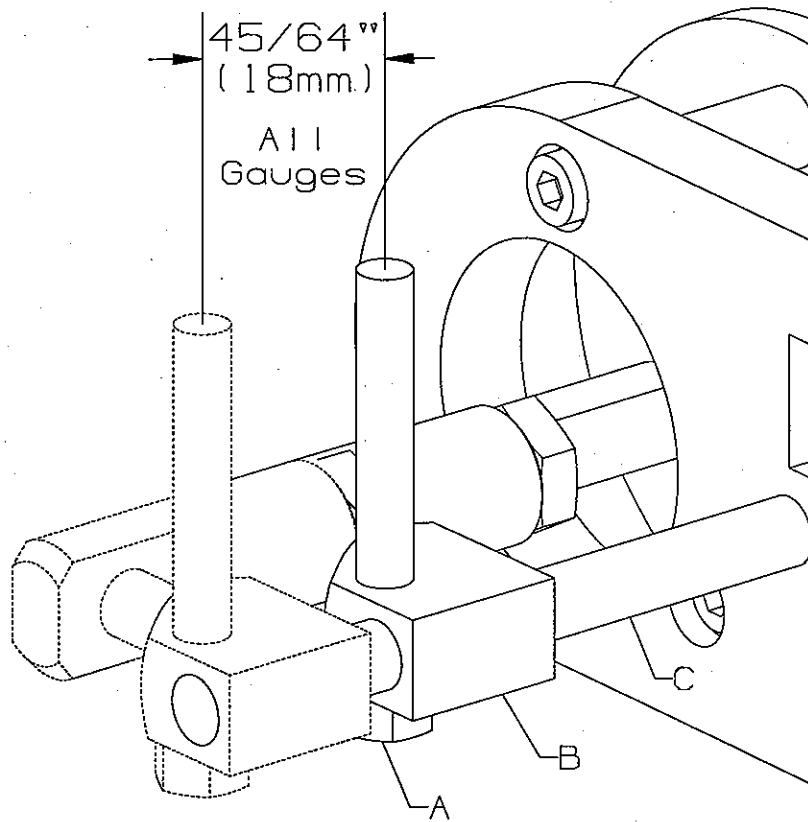
Set stroke of the driving solenoid to: $45/64$ " (18mm). All gauges.

Remove the cloth plate.

Loosen nut (A).

Move crosshead (B) on shaft (C) as required.

Retighten nut (A).



UNDERBED THREAD TRIMMER ASSEMBLY

When the thread trimmer is in its home position, the distance between edge (AA) and the protruding edge of lever (D) should be: $1/64''$ (0.4mm).

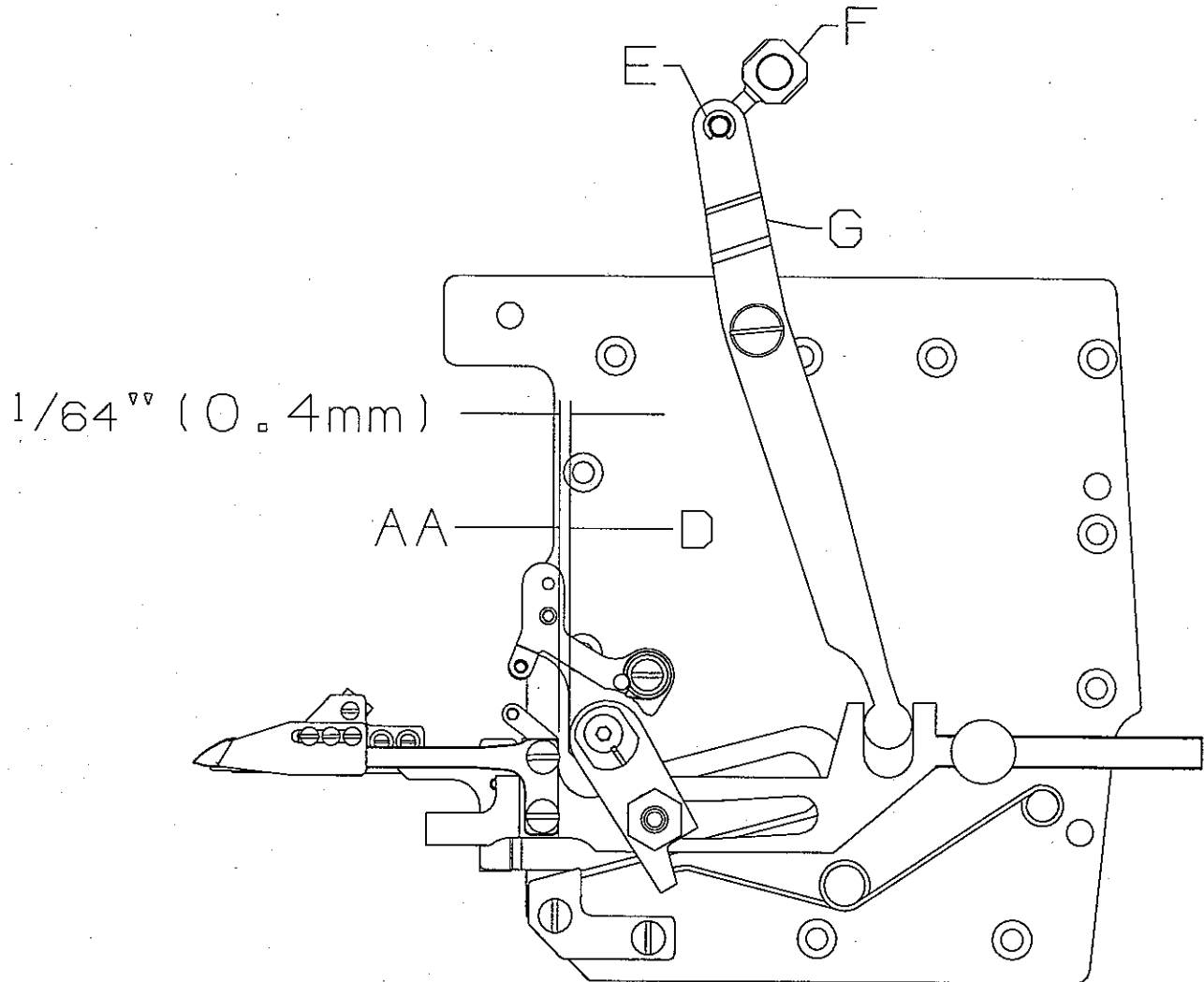
Remove retainer ring (E).

Push down on driving link to remove from hole in arm (G).

Turn driving link (F) in or out as required.

Release driving link (F) making sure pin is in hole in arm (G).

Replace retainer ring (E).



UNDERBED THREAD TRIMMER ASSEMBLY Knife Adjustment

When positioning lower knife (G), eyelet (J) must be seated to the right.

Lower knife (G) must be seated to the right and all the way forward when tightened.

Loosen 2 screws (K).

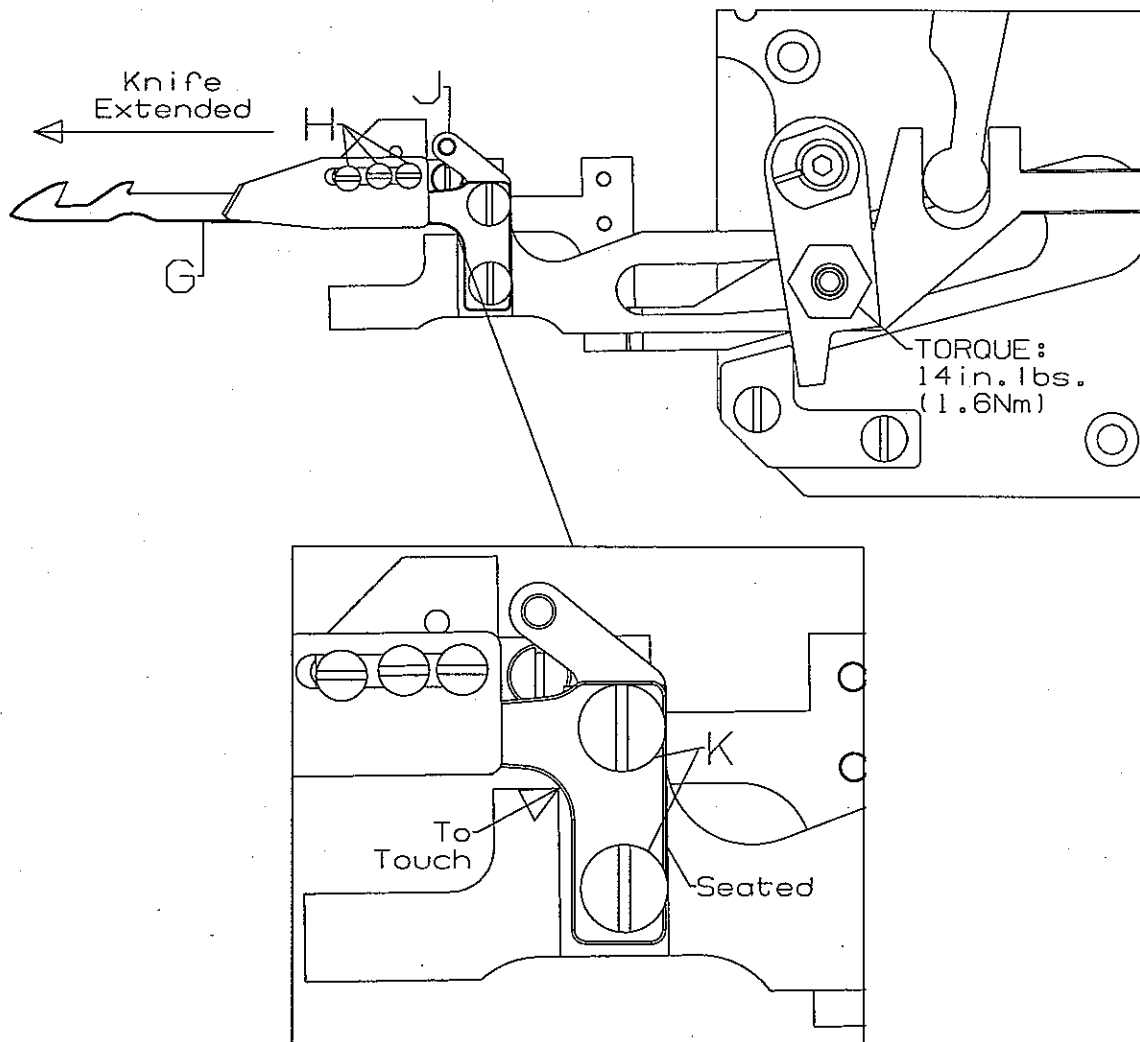
Move eyelet (J) to the right as required.

Set lower knife as required.

Retighten screws (K).

To ensure no binds, extend knife (G) to the left and loosen upper knife screws (H) at the same time.

Retighten screws (H).



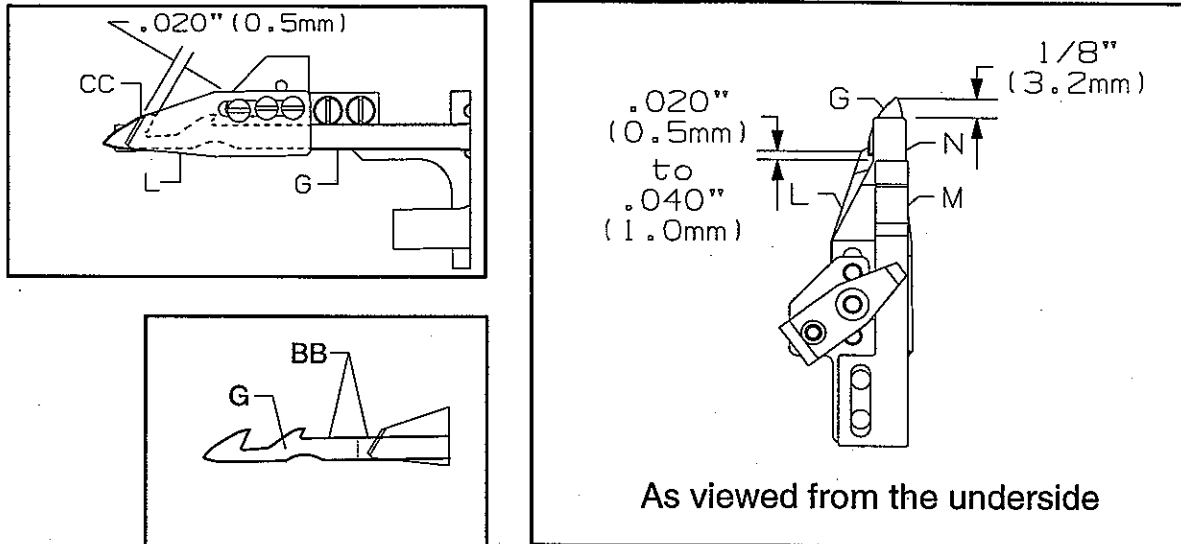
UNDERBED THREAD TRIMMER ASSEMBLY

Upper knife (L) should overlap lower knife (G) by: .020" (0.5mm).

The distance from clamping leaf spring (N) to the tip of lower knife (G) should be: 1/8" (3mm).
Clamping leaf spring (N) should be flush with knife at edge (BB).

NOTE: The clamping leaf spring must be set to only clamp the looper thread, NOT the needle threads.

The distance from tension leaf spring (M) to the back of upper knife (L, @ point CC) should be: .020" (0.5mm) to .040" (1.0mm).



UPPER KNIFE AND CLAMPING SPRING

Loosen two screws (H) and screw (H1).

Move upper knife (L) and clamping leaf spring (N) as required.

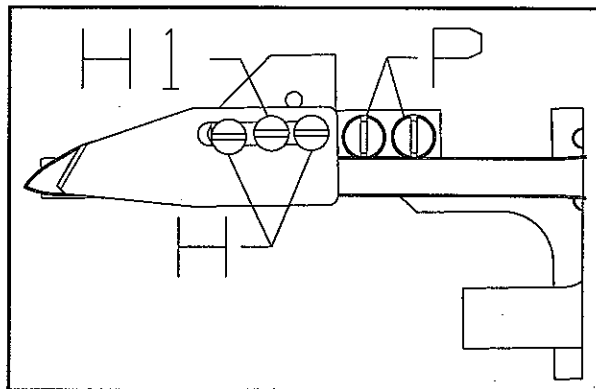
Retighten screws (H) and (H1).

TENSION SPRING

Loosen two screws (P).

Adjust leaf spring (M) as required.

Retighten screws.



UNDERBED THREAD TRIMMER ASSEMBLY

With the needles at top dead center: Lower knife (G) should be extended past the heel of looper (Q) by:
by:
15/32" (12.0mm), for the following adjustments.

The tip of lower knife (G) should be centered front to back, to the rear edge of the flat on top of looper (Q).

Stop (R) sets the distance of the upper knife and springs to the looper, it should be centered in its slots.

Guide (S) should just contact edge (DD) of knife mechanism.

On cover stitch machines (G) should be set slightly rearward .005" (.10mm) of the standard adjustment.

The bottom of lower knife (L) should clear looper (Q) by .004" (0.1mm).

LOWER KNIFE FRONT TO BACK

Loosen screw (T).

Move eccentric (U) as required.

Retighten screw (T).

STOP DISTANCE

Loosen screws (V).

Move stop (R) as required.

Retighten screws (V).

GUIDE DISTANCE

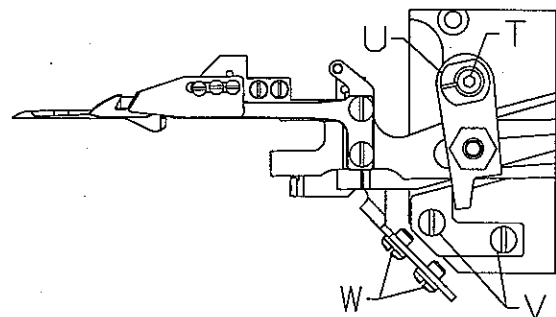
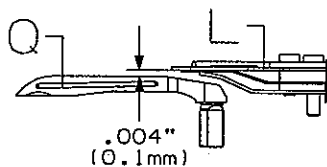
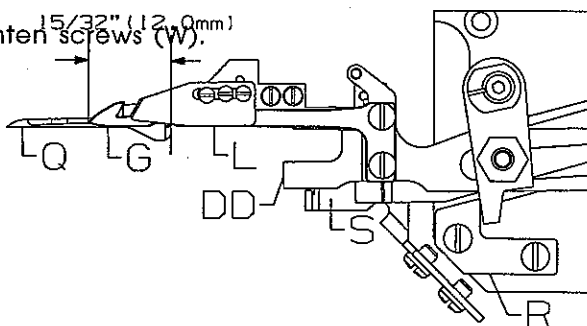
Loosen screws (W).

Move guide (S) as required to just contact edge (DD).

Retighten screws (W).

Loosen screws (W). Move guide (S) as required to obtain .004" (0.1mm) dimension.

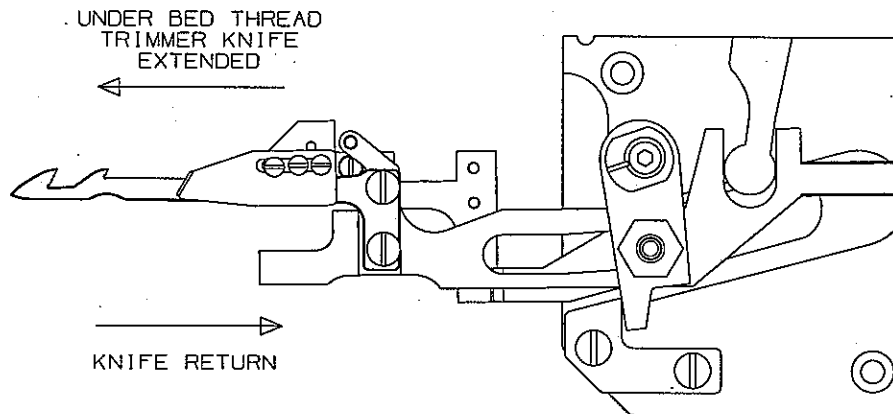
Retighten screws (W).



UNDERBED THREAD TRIMMER

ELECTROPNEUMATIC DRIVE

Adjust the metering screws so that thread trimmer mechanism and knife move smoothly left to right and the threads are cleanly cut and clamped.

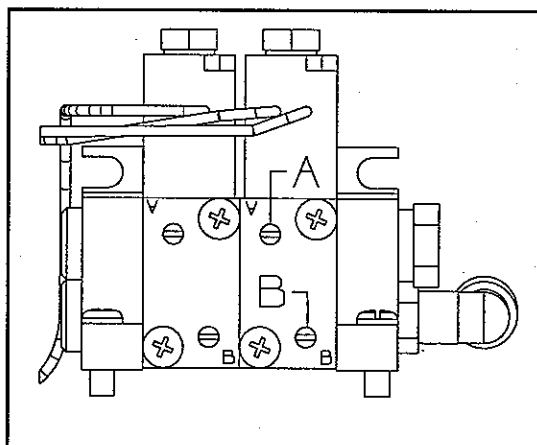


To increase the speed of the knife return, turn screw (A) counterclockwise.

To decrease the speed of the knife, turn screw (A) clockwise.

To increase the speed of extending the knife, turn screw (B) counterclockwise.

To decrease the speed of extending the knife, turn screw (B) clockwise.



SETTING PROXIMITY SWITCH

Proximity switch prevents motor from running when thread trimmer mechanism is not in extreme right position.

When moving thread trimmer mechanism 0.020" (0.5mm) to left LED must go out, motor will not start.

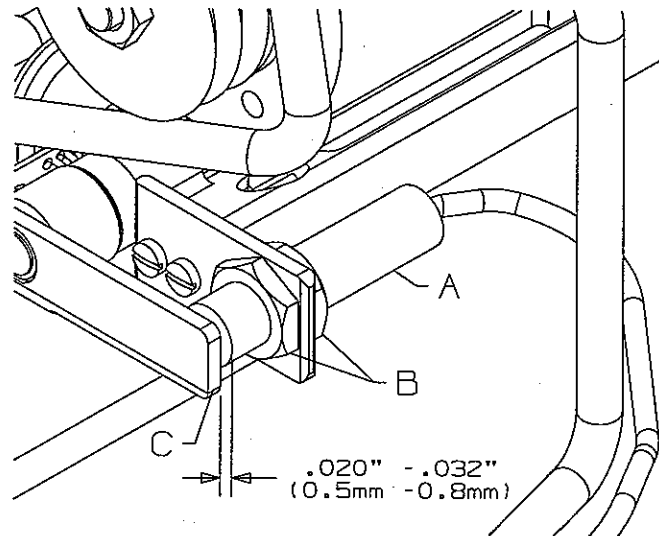
Move thread trimmer mechanism to its extreme right (end) position.

Switch on motor (do not run).

Loosen nuts (B).

Adjust switch (A) closer to lever (C) until LED illuminates.

Distance should be between 0.020 to 0.032" (0.5 to 0.8mm).



SOLENOID/PNEUMATIC THREAD WIPER

Bracket installed at 90 angle to needles.

Wiper hook (A) must deflect needle threads to operator on downstroke, (Fig. 1). Also the catch of the hook must pass the left needle by $1/8"$ (3.0mm).

On return, wiper hook must catch all needle threads (Fig. 2) and draw them into leaf spring (B) to be clamped.

Wiper hook (A) and leaf spring (B) should be flush at point (C) when at rest position.

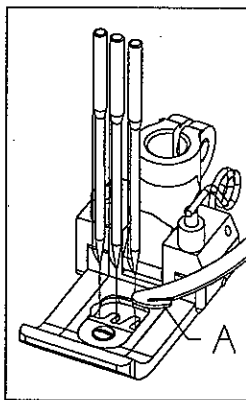
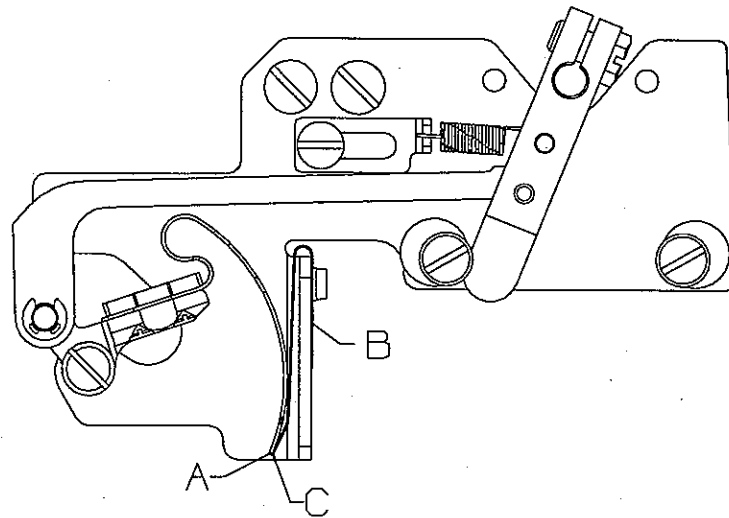


FIG. 1

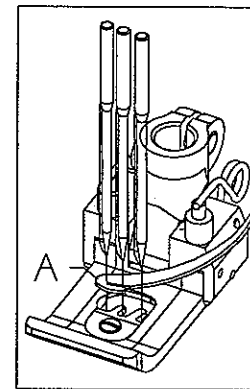
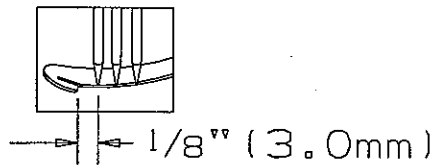


FIG. 2

ADJUSTING THREAD WIPER

Disconnect power supply for thread wiper.

Loosen screws (D). Move wiper (A) left or right as necessary.

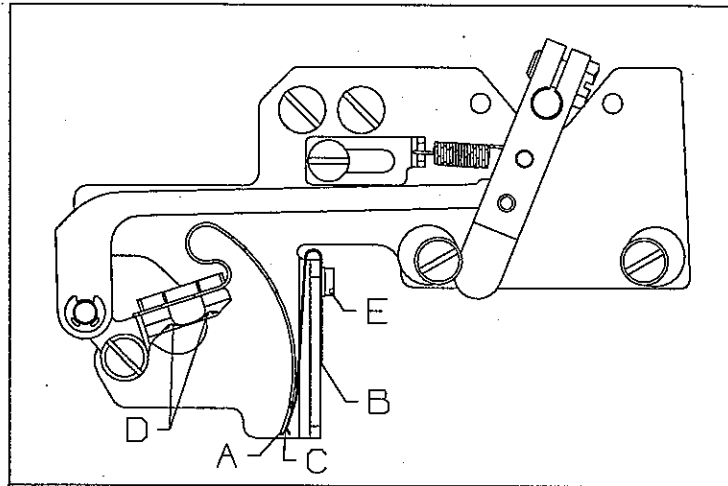
Retighten screws (D).

Operate wiper manually to check adjustment.

Loosen screw (E), move leaf spring (B) flush with wiper (A) at point (C).

Retighten screw (E).

Reconnect power supply.



To lengthen travel past left needle.

Disconnect power supply to thread wiper.

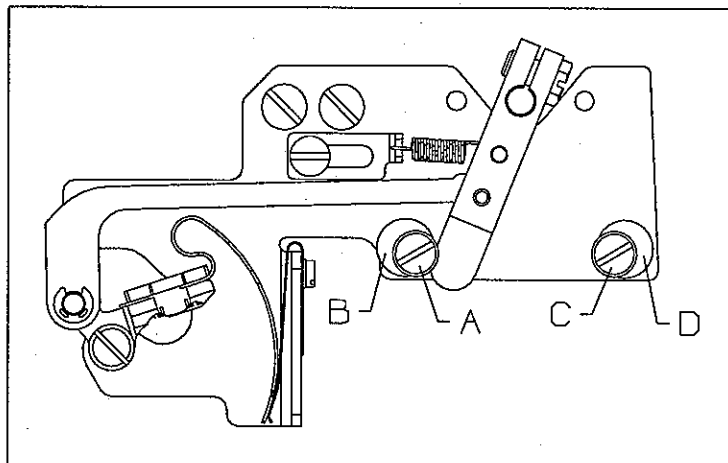
Loosen stop screw (A) and rotate eccentric (B) so high lobe is further to left. Retighten stop screw (A).

To move wiper higher in leaf spring.

Loosen screw (C) and rotate eccentric (D) so high lobe is further to the right. Tighten stop screw (C).

Reconnect power supply.

NOTE: Recheck leaf spring setting to wiper.



PNEUMATIC/ELECTRIC COVER THREAD TRIMMER

The following adjustments are made with the needles at top dead center.

Set the pressure of knife (A, Fig. 1) to the minimum and still cut the spreader thread.

The trimmer activates so the hook of the knife (A, Fig. 1) picks up the spreader thread from the underside where the thread goes from the spreader to the switch.

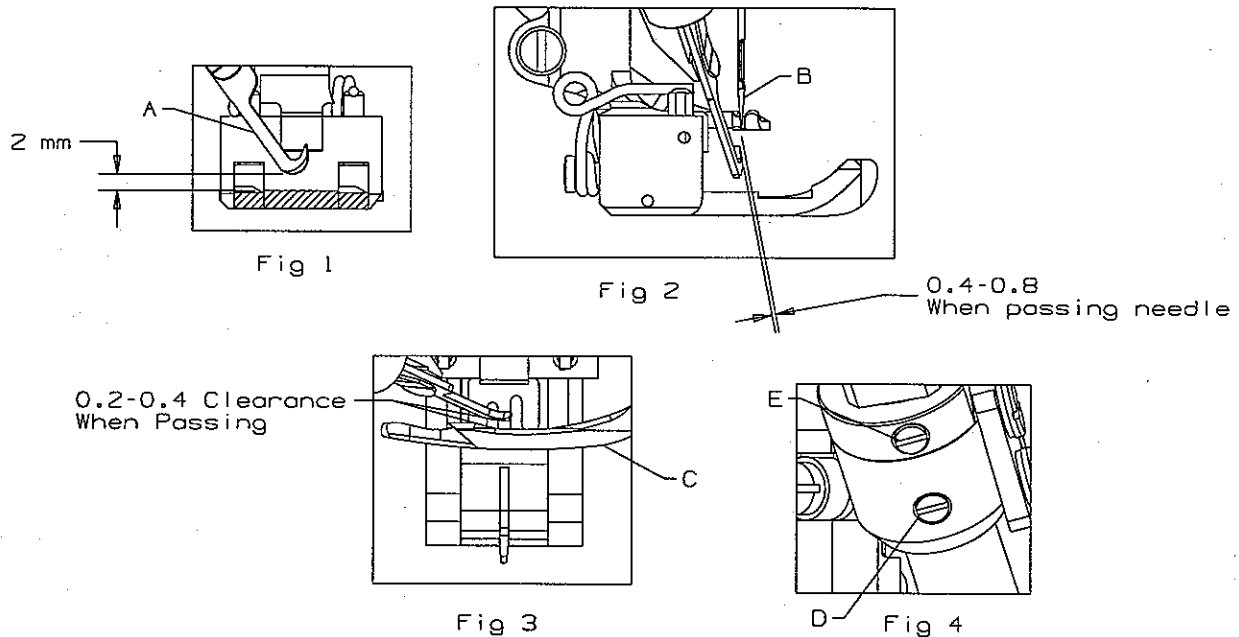
The bottom of the moving knife should be 2mm above the presser foot when the moving knife is extended, (Fig. 1).

The clearance of the knife tip (A, Fig. 1) should be .4 to .8mm from the left needle (B, Fig. 2) and .2 to .4mm from the spreader (C, Fig. 3). the angle should be set to pick up the spreader thread.

Tighten the set screw (D, Fig. 4) in the assembly holder and also tighten the set screw (E, Fig. 4) in the collar with the collar against the holder.

The collar screw should not be removed once the trimmer is adjusted. The collar will hold the adjusted position of the trimmer if it should be removed from the holder.

NOTE: Adjust the presser foot delay so it does not interfere with the trimmer.

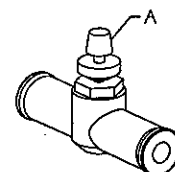
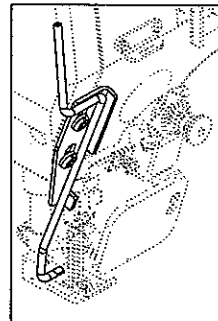


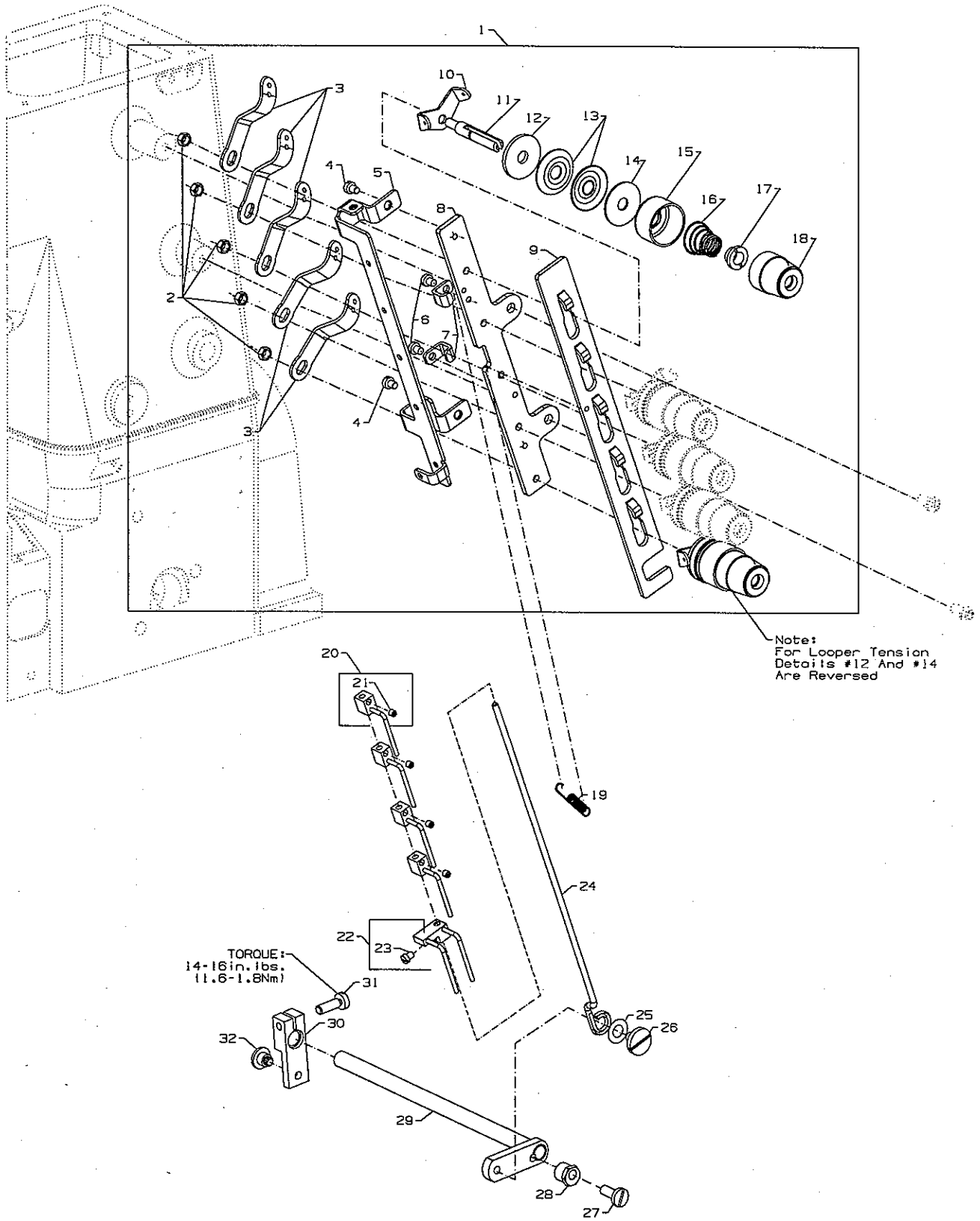
NEEDLE THREAD BLOWER ASSEMBLY

Needle threads must be blown out from under a raised presser foot after material has been removed.

AIR FLOW

1. Turn needle valve (A) clockwise to decrease air flow.
2. Turn needle valve (A) counterclockwise to increase air flow.

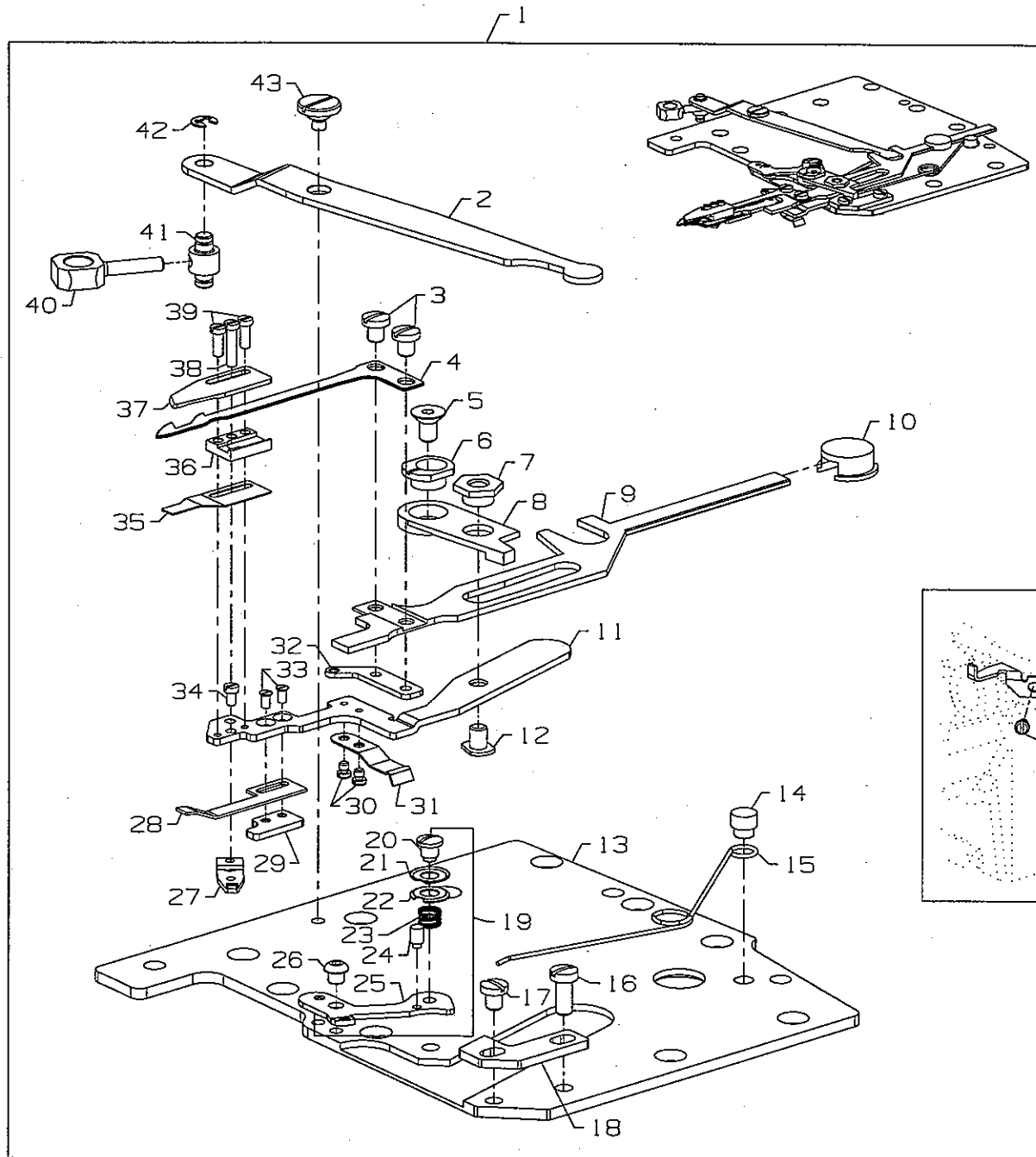




THREAD TENSION

Ref.No.	Juki Part No.	Description	Code	Amt.Req.
1.	US-0029477-NL	5 Thread Tension Assembly	29477NL	1
2.	NS-611420-SP	Nut	NS6110420SP	5
3.	300-46304	Lead-in Thread Guide	57865	5
4.	SS-7090520-SP	Screw	SS7090520SP	2
5.	US-0050392-AU	Thread Guide	50392AP	1
6.	SS-7090520-SP	Screw	SS7090520SP	2
7.	US-0050392-AV	Guide, for tension disc separator	50392AV	2
8.	US-0005039-2X	Tension Bracket	50392X	1
9.	US-0050392-AR	Tension Disc Separator	50392AR	1
10.	300-46205	Thread Tension Eyelet	57892K	5
11.	303-63006	Tension Post	56392G	5
12.	US-066623-30	Tension Disc Felt	666-330	5
13.	B3126-012-000	Tension Disc	B3126012000	10
14.	B3120-352-000	Tension Disc Felt	B3120352000	5
15.	303-62909	Spring Shield	56392H	5
16.	B3103-804-000	Spring, for spreader (blue)	B3103804000	1
-	B3101-804-000	Spring, for needle (red)	B3101804000	3
-	B3121-804-000	Spring, for looper (plain)	B3121804000	1
17.	B3112-704-000	Ferrule, for tension spring	B3112704000	5
18.	303-62800	Knob, for spreader (blue)	56392M	1
-	303-62701	Knob, for needle (red)	56392L	3
-	US-0005039-2R	Knob, for looper (plain)	50392R	1
19.	302-78303	Extension Spring	96711	1
20.	US-0005035-8Y	Thread Pull-off Hook	50358Y	4
21.	300-83000	Screw	28C	4
22.	302-15800	Thread Pull-off Hook	A9858	1
23.	302-11106	Screw	77A	1
24.	US-0050392-AS	Puller Rod, for thread puller	50392AS	1
25.	US-0005037-4A	Washer	50374A	1
26.	302-78105	Shoulder Screw	99296	1
27.	301-01109	Screw	22757	1
28.	302-77800	Tension Release Eccentric	G51346KA	1
29.	US-0050392-AN	Tension Release Assembly	50392AN	1
30.	302-77909	Tension Release Lever	99620	1
31.	301-05803	Screw	22596	1
32.	301-60808	Screw	22735	1

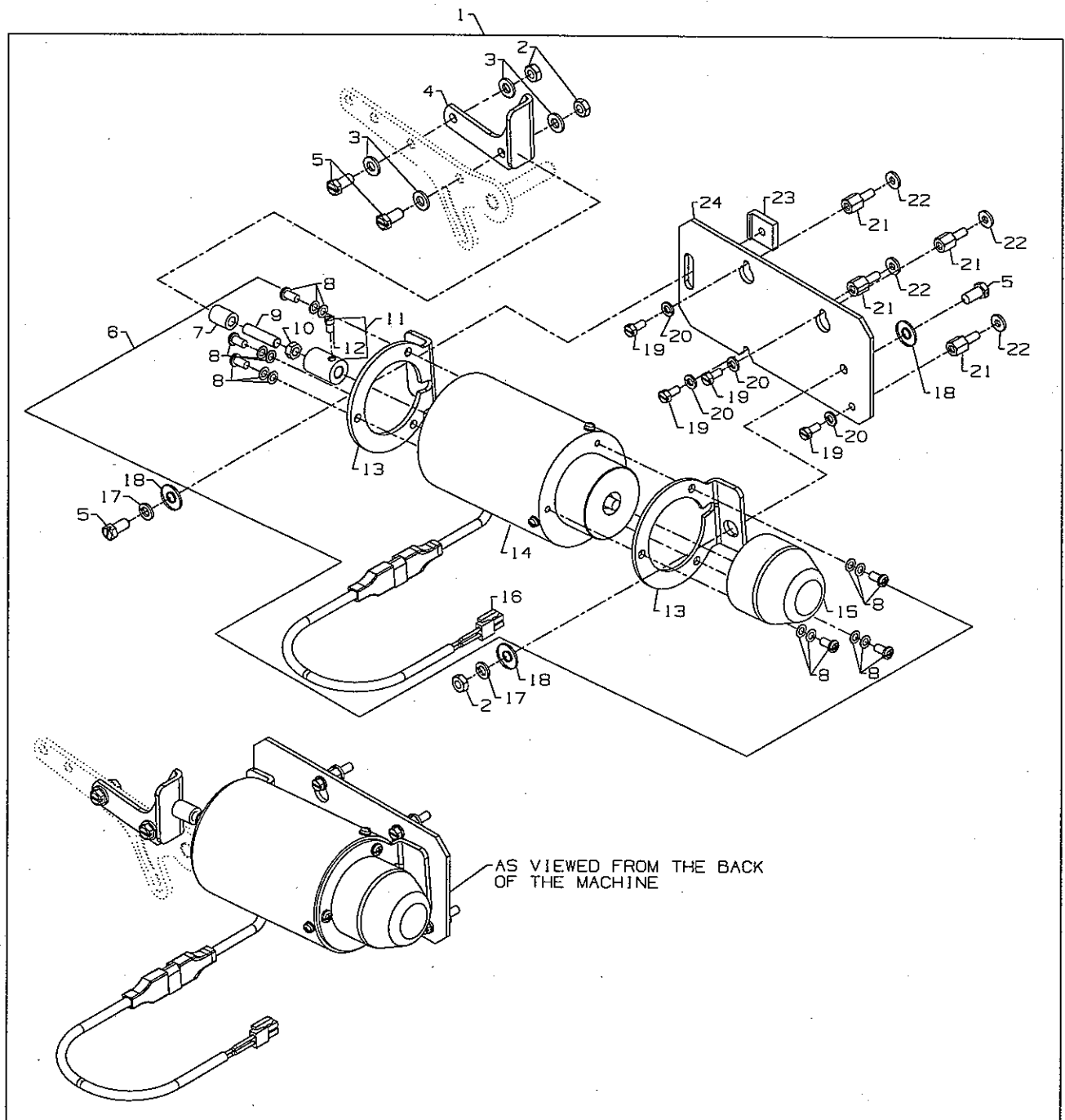
UT COMPONENT DEVICE KEY	
UT DEVICE	COMPONENT USED ON DEVICE
UT1	•
UT2	•
UT3	•
UT4	•
UT5	•



UNDERBED THREAD TRIMMER ASSEMBLY

Ref.No.	Juki Part No.	Description	Code	Amt.Req.
1.	US-029480A-YH	Underbed Thread Trimmer Assembly	29480AYH	1
2.	303-64608	Lever	34763P	1
3.	303-65308	Screw	18-1453	2
4.	305-00300	Lower Knife	34749P	1
5.	303-64905	Screw	18-1450	1
6.	303-64806	Eccentric Guide	34768A	1
7.	US-0003476-8C	Guide Washer	34768C	1
8.	303-64509	Lever	34750R	1
9.	301-54405	Lower Knife Holder	34750T	1
10.	303-64005	Guide	34750U	1
11.	US-0034750-SA	Upper Knife Holder	34750SA	1
12.	US-0018Z14-72	Screw	18-1472	1
13.	303-64103	Oil Reserve Cover	34382AC	1
14.	303-63808	Pin	34751MS	1
15.	US-0050332-AD	Spring	50332AD	1
16.	302-18309	Screw	22585	1
17.	303-67007	Screw	18-1449	2
18.	US-0050337-AX	Stop	50337AX	1
19.	US-029480A-YJ	Looper Thread Nipper Assembly	29480AYJ	1
20.	US-0050357-AW	Nipper Plate Screw	50357AW	1
21.	US-0050357-AX	Nipper Plate	50357AX	1
22.	US-0050357-AT	Nipper Plate	50357AT	1
23.	US-0050357-AU	Nipper Spring	50357AU	1
24.	US-0050357-AV	Nipper Guard Post	50357AV	1
25.	US-0005036-6L	Nipper Plate Eyelet	50366L	1
26.	303-91502	Screw	18C1471	1
27.	303-66207	Tension Lever	34751MT	1
28.	303-66108	Leaf Spring	34773D	1
29.	303-66306	Threaded Plate	34769B	1
30.	SM-6020250-TP	Screw	SM6020250TP	2
31.	303-66009	Leaf Spring	34773E	1
32.	US-0050368-AE	Looper Thread Pull-off Eyelet	50368AE	1
33.	SM-1020450-TP	Screw	SM1020450TP	2
34.	304-91005	Screw	18-1473	1
35.	303-65704	Leaf Spring	34773F	1
36.	303-65605	Lower Knife Guide	34750P	1
37.	303-65407	Upper Knife	34770M	1
38.	US-0018Z14-74	Screw	18-1474	1
39.	SM-6020600-TP	Screw	SM6020600TP	2
40.	303-65209	Driving Link	34752M	1
41.	303-65100	Carrier Bolt	34752N	1
42.	RE-0250000-KO	E-Ring	RE025000KO	1
43.	SD-0600176-SP	Screw	SD0600176SP	1
44.	303-86502	Guide	34794A	1
45.	300-90500	Screw, for guide	90	2

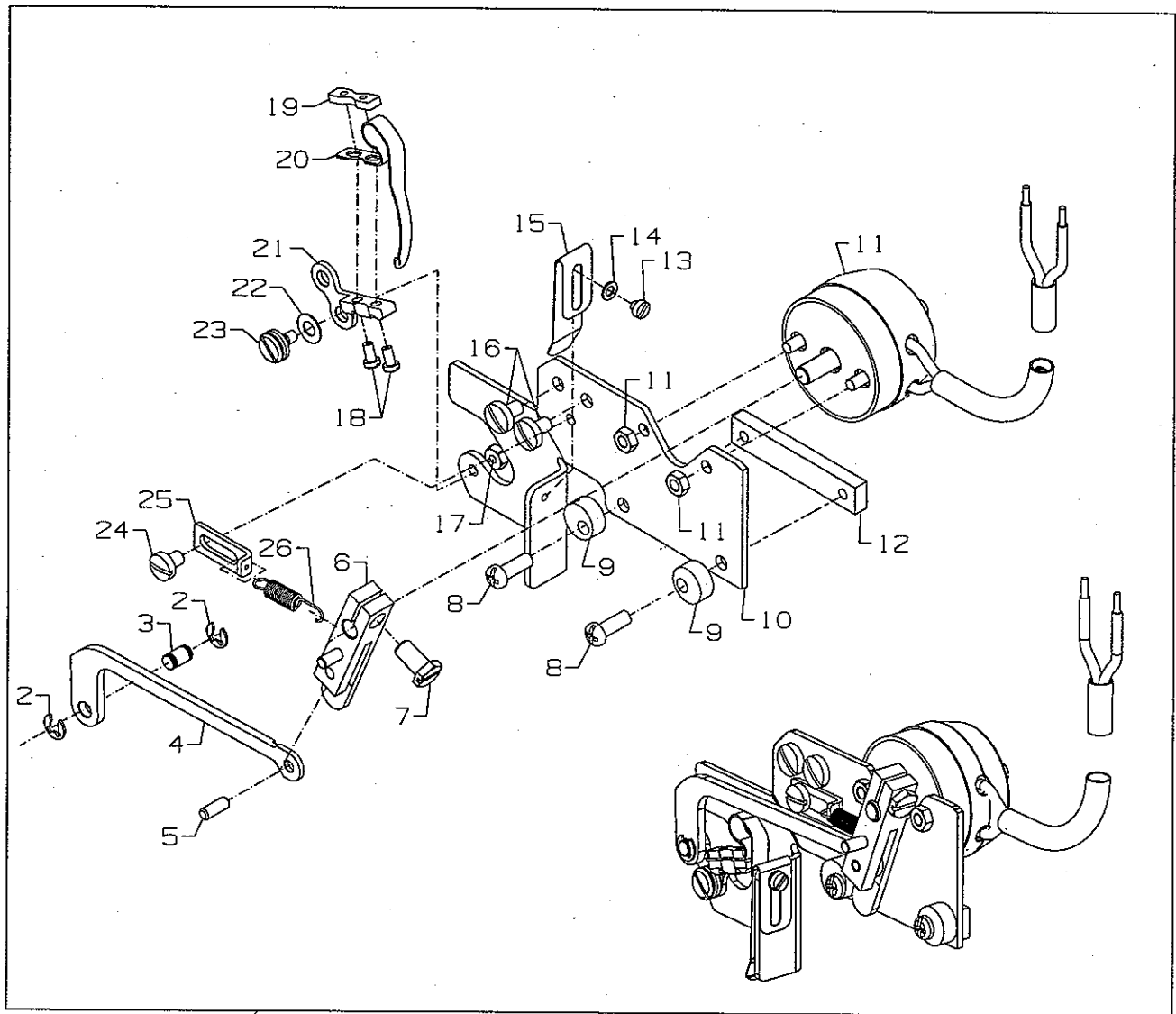
UT COMPONENT DEVICE KEY	
UT DEVICE	COMPONENT USED ON DEVICE
UT1	•
UT2	•
UT3	•
UT4	•
UT5	•



ELECTRIC PRESSER FOOT LIFTER ASSEMBLY

Ref.No.	Juki Part No.	Description	Code	Amt.Req.
1.	US-0002992-0D	Electric Drive Assembly	29920D	1
2.	NS-6150430-SP	Nut	NS6150430SP	3
3.	301-78602	Washer	95951	4
4.	US-0005036-7H	Lifter	50367H	1
5.	SS-9151420-TP	Hex Screw	SS9151420TP	4
6.	US-000670K-82	Solenoid Assembly	670K82	1
7.	304-96905	Cap	92855A	1
8.	SS-4051281-SE	Screw	SS4051281SE	6
9.	US-0005039-5N	Stud	50395N	1
10.	NS-6660430-SP	Nut	NS6660430SP	1
11.	US-0005033-3B	Coupling	50333B	1
12.	SS-6110710-TP	Screw	SS6110710TP	1
13.	GAK-33034000	Bracket	GAK33034000	2
14.	GAK-8403000A	Solenoid	GAK8403000A	1
15.	GAK-3303600A	Cap	GAK3303600A	1
16.	US-0670E14-03	Adapter Cable	670E1403	2
17.	WS-0631510-KP	Lock Washer	WS0631510KP	3
18.	300-95905	Washer	53636C	4
19.	SS-9111010-SP	Hex Screw	SS9111010SP	4
20.	WS-0510002-KP	Lock Washer	WS0510002KP	4
21.	US-0005039-5P	Stand-Off	50395P	4
22.	300-98107	Washer	35032H	1
23.	US-0005039-5R	Clamp Plate	50395R	1
24.	US-0005038-3S	Base Plate	50383S	1

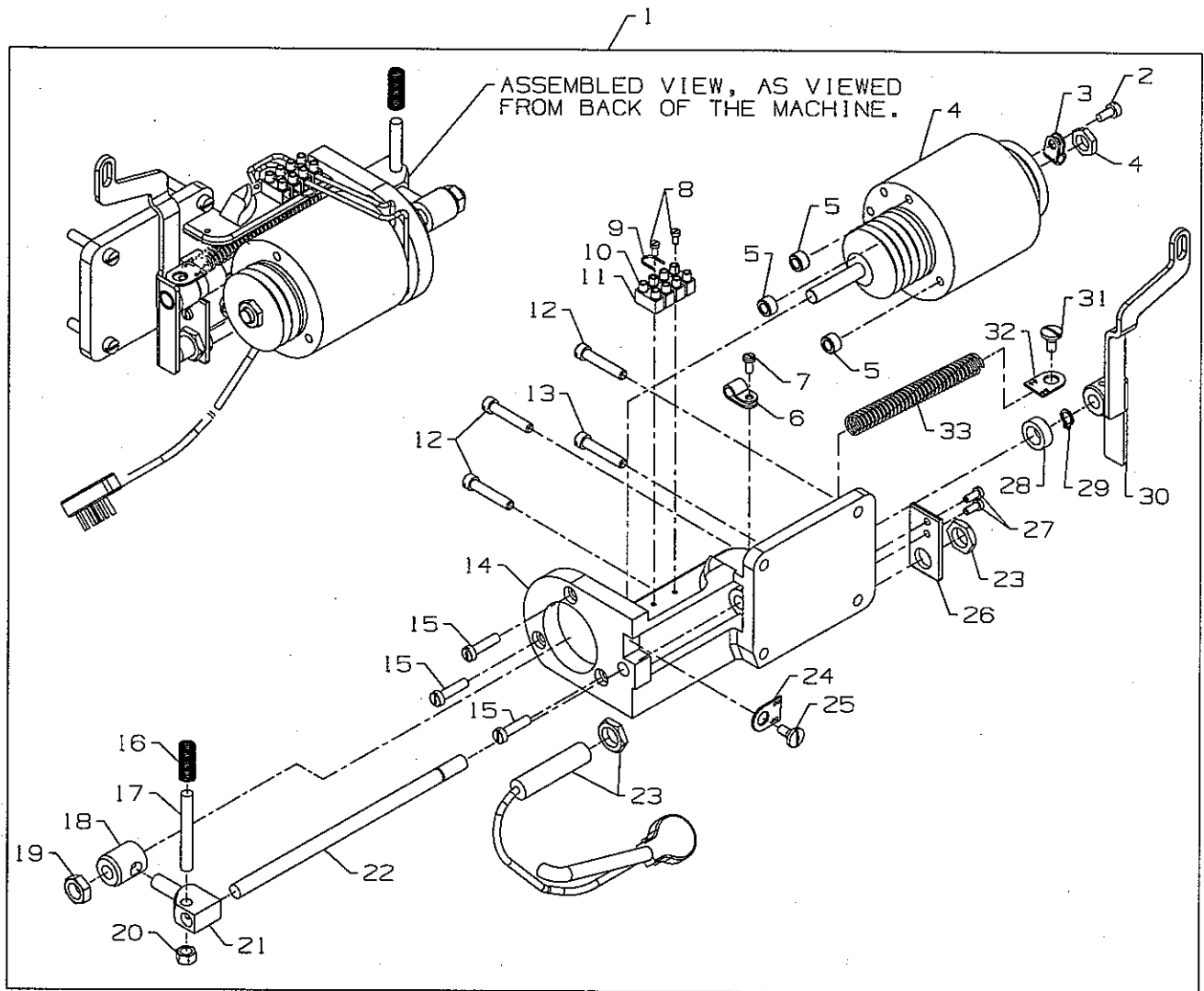
UT COMPONENT DEVICE KEY	
UT DEVICE	COMPONENT USED ON DEVICE
UT1	•
UT2	•
UT3	
UT4	
UT5	



ELECTRIC THREAD WIPER ASSEMBLY

Ref.No.	Juki Part No.	Description	Code	Amt.Req.
1.	US-0002990-6M	Electric Thread Drive Assembly	29906M	1
2.	301-54603	Retaining Ring	96280	2
3.	US-0099591-DP	Pin	99591DN	1
4.	US-0009954-5G	Push Rod	99545G	1
5.	PH-0300083-UO	Pin	PH0300083UO	1
6.	US-0009964-6J	Lever	99646J	1
7.	SS-9120910-TP	Screw	SS9120910TP	1
8.	SS-4091015-SP	Screw	SS4091015SP	2
9.	301-54504	Stop Eccentric	50363BF	2
10.	305-43201	Wiper Bracket	99650E	1
11.	300-52104	Electric Solenoid Rotary	670K15	1
12.	US-0009954-5H	Nut Plate	99545H	1
13.	SS-6060210-SP	Screw	SS6060210SP	1
14.	302-26906	Washer	96150	1
15.	301-57408	Leaf Spring	99697AA	1
16.	SS-7090610-SP	Screw	SS7090610SP	2
17.	302-43901	Hex Nut	51250C	1
18.	SS-6060510-TP	Screw	SS6060510TP	2
19.	US-0005036-2B	Plate	50362B	1
20.	304-40200	Wiper Hook	99653B	1
21.	US-0009965-7E	Lever	99657E	1
22.	301-54603	Washer	96161	1
23.	302-69203	Shoulder Screw	99358	1
24.	SS-7090510-SP	Screw	SS7090510SP	1
25.	US-0099591-DP	Bracket	99591DP	1
26.	US-0050332-AB	Extension Spring	50332AB	1

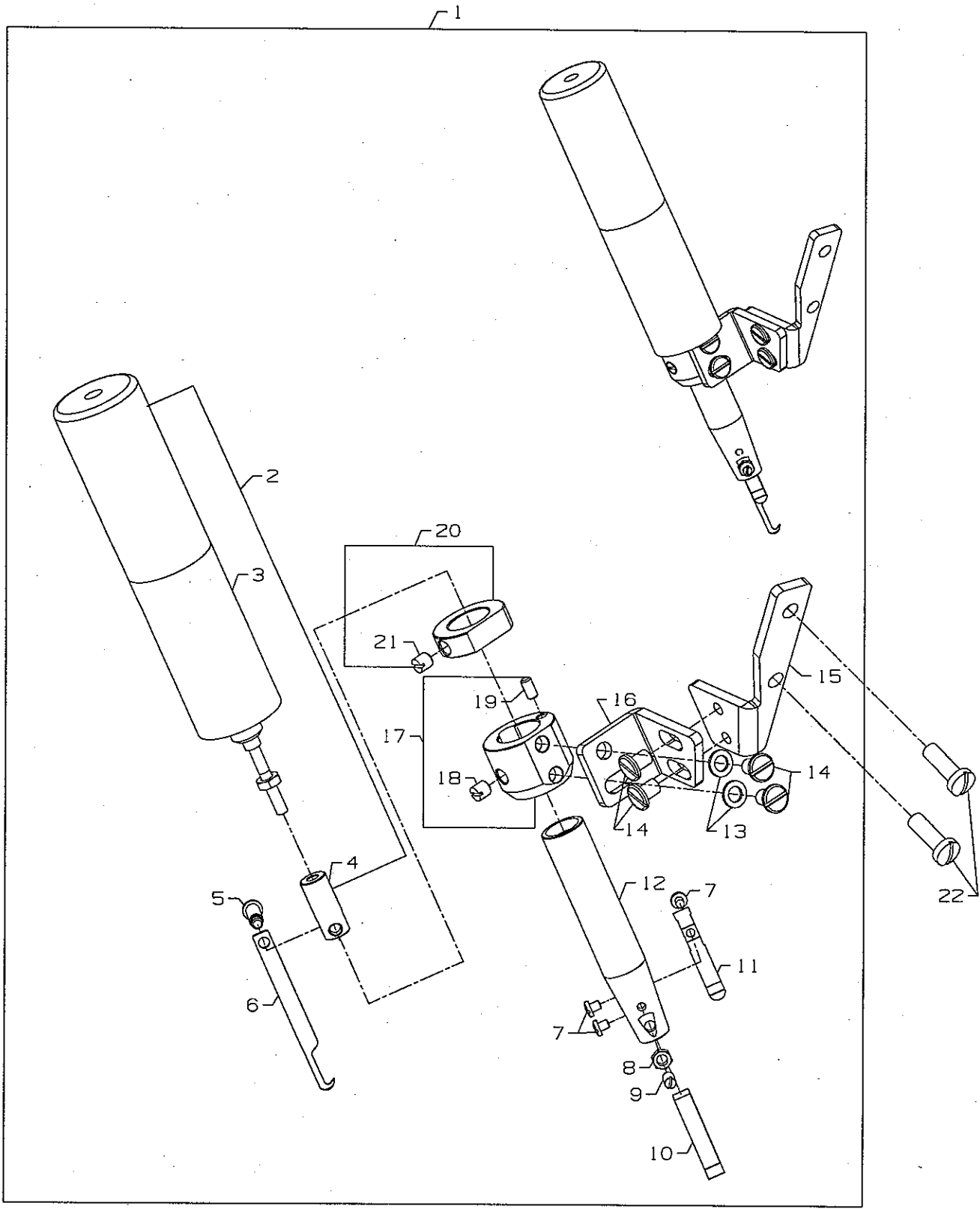
UT COMPONENT DEVICE KEY	
UT DEVICE	COMPONENT USED ON DEVICE
UT1	•
UT2	
UT3	
UT4	
UT5	



ELECTRIC DRIVE DOUBLE ACTION ASSEMBLY

Ref.No.	Juki Part No.	Description	Code	Amt.Req.
1.	US-000670K-28	Electric Drive Assembly	670K28	1
2.	302-93609	Screw	95169	1
3.	US-067E150-8	Cable Clamp	670E1508	1
4.	301-60600	Solenoid	998-306B	1
5.	303-01105	Bushing	99617A	3
6.	301-56400	Hose Clamp	998-358E	2
7.	SS-6111010-SP	Screw	SS6111010SP	1
8.	301-56608	Screw	95179K	2
9.	301-57200	Wire	1318001	1
10.	US-0670E13-02	Terminal Block	670E1302	1
11.	301-56905	Cable End Plate	998-297A	2
12.	301-55600	Screw	22852A	3
13.	302-16709	Screw	22517A	1
14.	303-00404	Mounting Bracket	G52882KW	1
15.	303-01204	Screw	95177	3
16.	301-64107	Spring	51292F2	1
17.	303-01006	Clamping Screw	99619	1
18.	303-01303	Driving Connection	99616	1
19.	301-60501	Nut	95251	1
20.	302-43109	Nut	55235E	1
21.	303-01402	Cross Head	99614D	1
22.	301-56004	Shaft	99613D	1
23.	US-00670E8-15	Switch Assembly	670E815	1
24.	303-00107	Spring Eyelet	80696RA	1
25.	302-16006	Screw	14076	1
26.	303-00701	Bracket	34762	1
27.	302-18309	Screw	22585	2
28.	303-00503	Washer	99615	1
29.	301-55501	Retaining Ring	96261	1
30.	US-0050373-DG	Lever	50373DG	1
31.	301-03600	Screw	22569B	1
32.	303-00107	Spring Eyelet	80696RA	1
33.	303-00206	Spring	96721	1

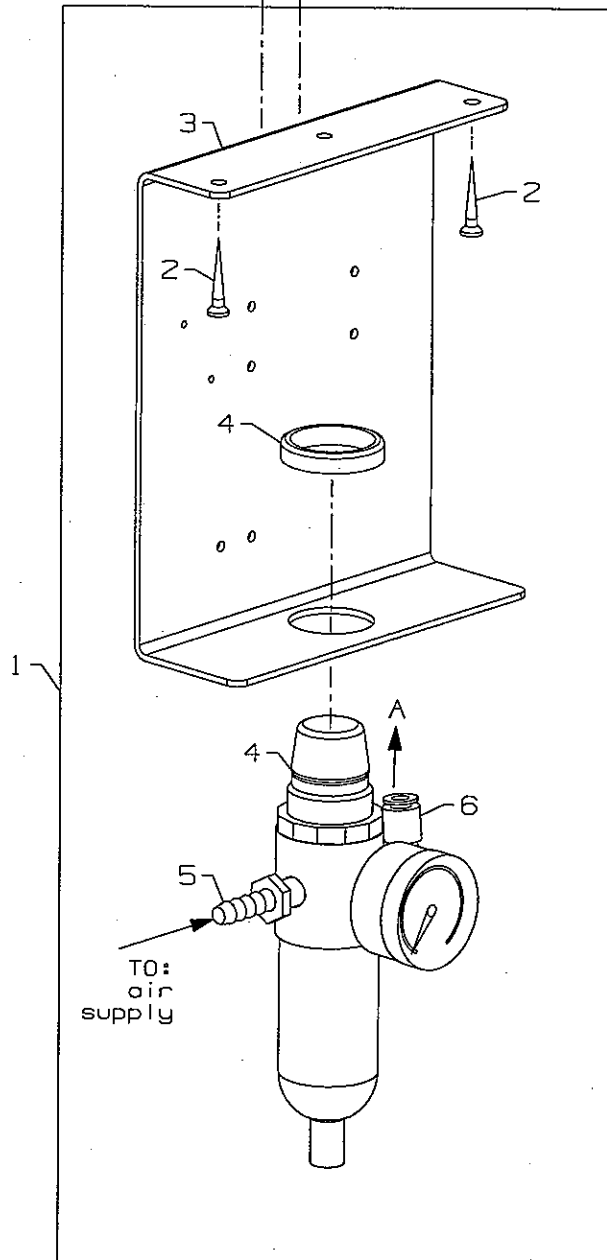
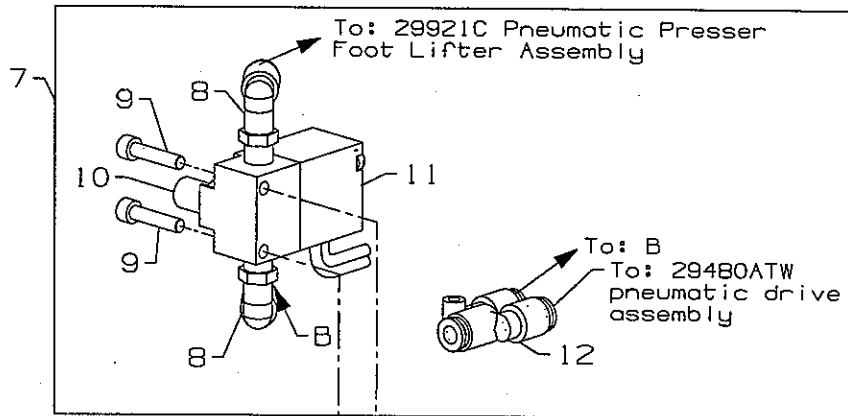
UT COMPONENT DEVICE KEY	
UT DEVICE	COMPONENT USED ON DEVICE
UT1	•
UT2	•
UT3	
UT4	
UT5	



ELECTRIC SPREADER THREAD TRIMMER ASSEMBLY

Ref.No.	Juki Part No.	Description	Code	Amt.Req.
1.	US-0029980-LE	Spreader Thread Trimmer Assembly, Electric	29980LE	1
2.	US-0029105-BR	Knife Holder Assembly	29105BR	1
3.	US-000670K-85	Solenoid	670K85	1
4.	US-0005037-2D	Moving Knife Holder	50372D	1
5.	305-43904	Screw	22731	1
6.	US-0005037-OH	Moving Knife	50370H	1
7.	SS-706310-SP	Screw	SS706310SP	2
8.	NS-6080210-SP	Nut	NS6080210SP	1
9.	SS-8080610-SP	Screw	SS8080610SP	1
10.	US-0005034-9F	Lower Knife	50349F	1
11.	US-0050332-AG	Spring	50332AG	1
12.	US-0005037-2C	Knife Holder	50372C	1
13.	WP-0450846-SP	Washer	WP0450846SP	2
14.	SS-6110610-TP	Screw	SS6110610TP	4
15.	US-0050383-AT	Bracket	50383AT	1
16.	US-0050383-AS	Bracket	50383AS	1
17.	US-0005033-3L	Collar Guide	50333L	1
18.	SS-8110520-TP	Screw	SS8110520TP	1
19.	PH-0300062-CO	Pin	PH0300062CO	1
20.	US-0005033-3K	Collar	50333K	1
21.	SS-8110520-TP	Screw	SS8110520TP	1
22.	SS-4121915-SP	Mounting Screws	SS4121915SP	2

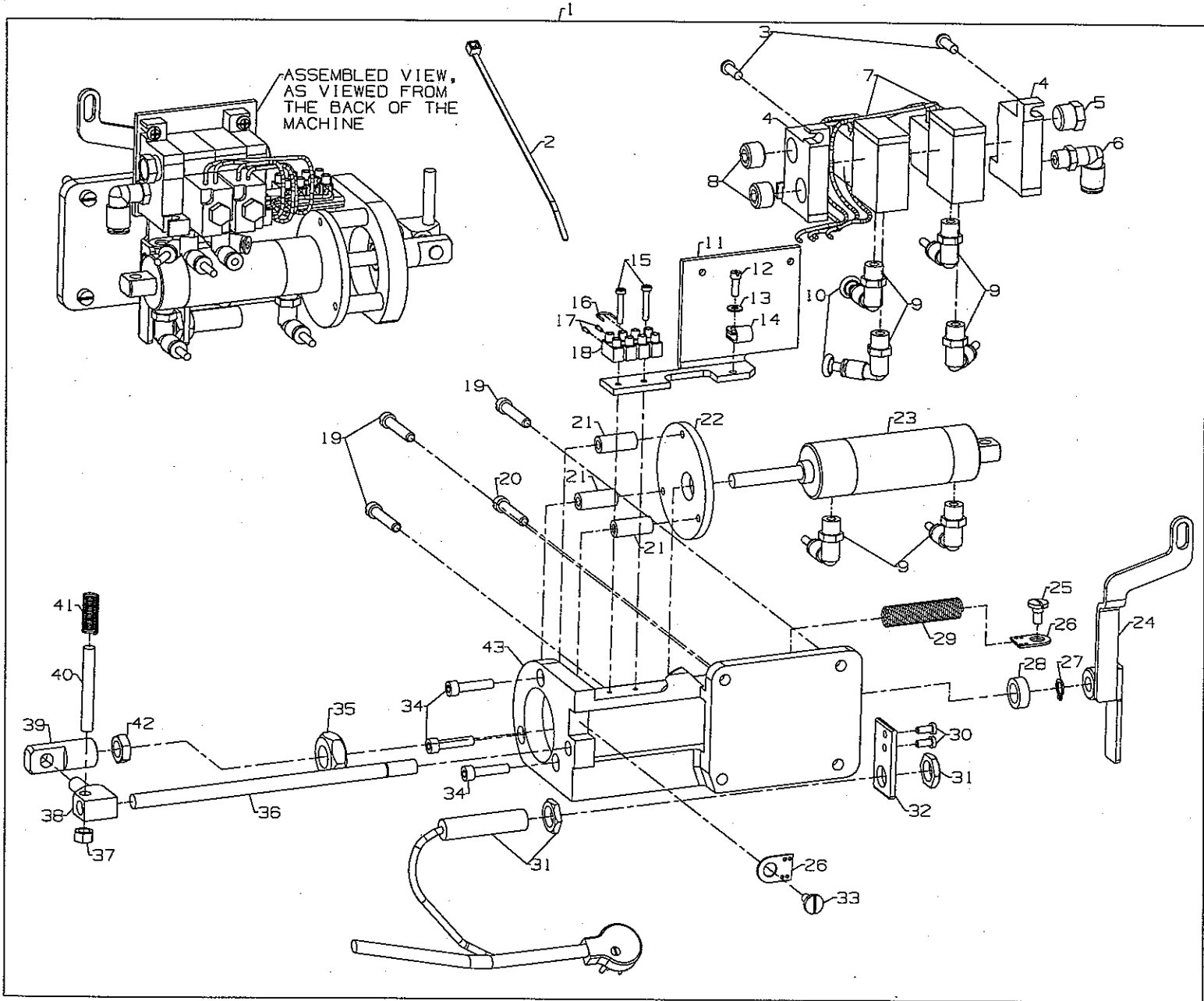
UT COMPONENT DEVICE KEY	
UT DEVICE	COMPONENT USED ON DEVICE
UT1	
UT2	•
UT3	
UT4	
UT5	



PNEUMATIC CONTROL

Ref.No.	Juki Part No.	Description	Code	Amt.Req.
1.	US-029480A-XA	Pneumatic Control Kit	29480AXA	1
2.	300-66401	Wood Screw	90561K	2
3.	US-0099683-CP	Mounting Bracket	99683CP	1
4.	US-000671D-42	Filter/ Regulator Assembly	671D42	1
5.	US-000671F2-41	Barb Fitting	671F241	1
6.	301-79402	Elbow Fitting - 6mm x 1/2" NPT	671F81A	1
-	304-21309	Air Tubing - 6mm O.D. x 1m (not shown)	671B182	1
7.	US-029480A-WU	Presser Foot Lifter Kit	29480AWU	1
8.	301-52102	Elbow Fitting - 6mm x 1/8" NPT	671F81C	2
9.	301-52508	Screw - 4mm	95415	2
10.	301-66508	Muffler	660-403	1
11.	301-55105	Valve	671-50	1
12.	301-52201	Splitter	671F86B	1
-	305-3300	Cable Harness (not shown)	670E673	1
-	305-43409	Connector (male, not shown)	RM2724A	2
-	305-43508	Air Tubing - 6mm O.D. x 1mm (not shown)	671B23	1

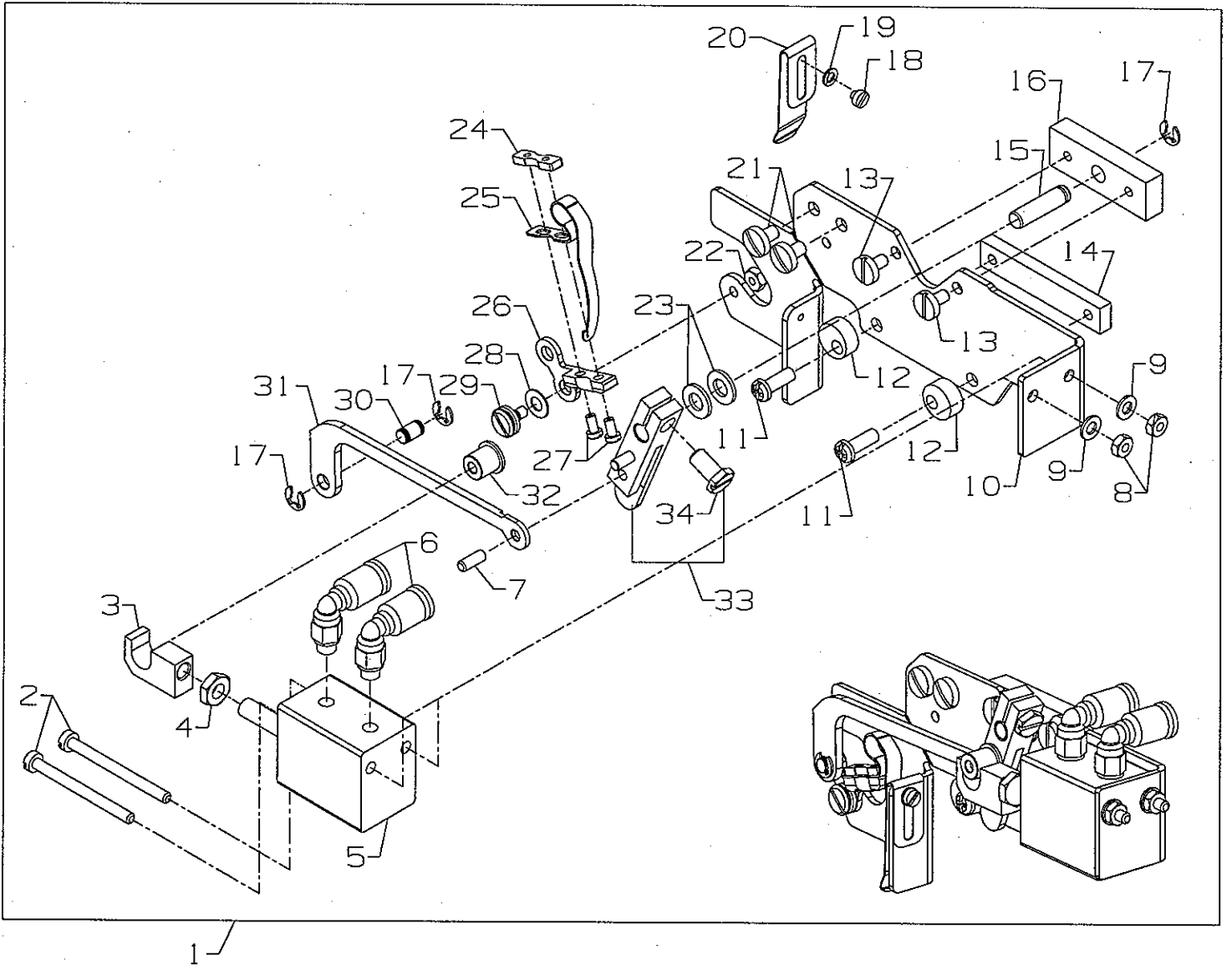
UT COMPONENT DEVICE KEY	
UT DEVICE	COMPONENT USED ON DEVICE
UT1	
UT2	
UT3	•
UT4	
UT5	•



PNEUMATIC DRIVE DOUBLE ACTION ASSEMBLY

Ref.No.	Juki Part No.	Description	Code	Amt.Req.
1.	US-029480A-TW	Pneumatic Drive Assembly	29480ATW	1
2.	300-66906	Cable Tie	RM2871B	2
3.	SS-4121415-SP	Screw	SS4121415SP	2
4.	301-79600	Manifold	671-104A	1
5.	301-79501	Silencer	660-763	1
6.	301-79402	Elbow	671F81A	1
7.	301-79709	Mac Valve	671-103B	2
8.	301-79808	Plug	671F87	2
9.	301-52300	Elbow	671F82C	6
10.	301-80004	Plug	670G276	2
11.	US-0005038-3N	Bracket	50383N	1
12.	300-88603	Screw	22729	1
13.	302-96800	Washer	95954	1
14.	301-56400	Cable Clamp	998-358E	1
15.	305-43607	Screw	22894AX	2
16.	301-57200	Wire	1318001	1
17.	301-56905	Cable End Sleeve	998-297A	2
18.	US-0670E13-02	Terminal	670E1302	1
19.	301-55600	Screw	22852A	3
20.	302-16709	Screw	22517A	1
21.	301-56202	Spacer	99617T	3
22.	301-56301	Disc	99591DH	1
23.	305-43706	Air Cylinder	99694A	1
24.	US-0050373-DG	Lever	50373DG	1
25.	301-03600	Screw	22569B	1
26.	303-00107	Spring Eyelet	80696RA	1
27.	301-55501	Retaining Ring	96261	1
28.	303-00503	Washer	99615	1
29.	303-00206	Spring	96721	1
30.	302-18309	Screw	22585	2
31.	US-00670E8-15	Switch Assembly	670E815	1
32.	303-00701	Bracket	34762	1
33.	302-16006	Stud	14076	1
34.	301-55006	Screw	95411	3
35.	301-56707	Nut	99327	1
36.	301-56004	Shaft	99613D	1
37.	302-43109	Nut	55235E	1
38.	303-01402	Cross Head	99614D	1
39.	301-55907	Connector	99616A	1
40.	303-01006	Clamping	99619	1
41.	302-43208	Spring	51292F2	1
42.	301-55808	Nut	21233FB	1
43.	303-00404	Support Bracket	G52882KW	1
-	304-21309	Tubing (not shown)	671B182	2ft.
-	305-43805	Nylon Black Tubing (not shown)	6-878	1
-	301-56400	Hose Clamp (not shown)	998-358E	1

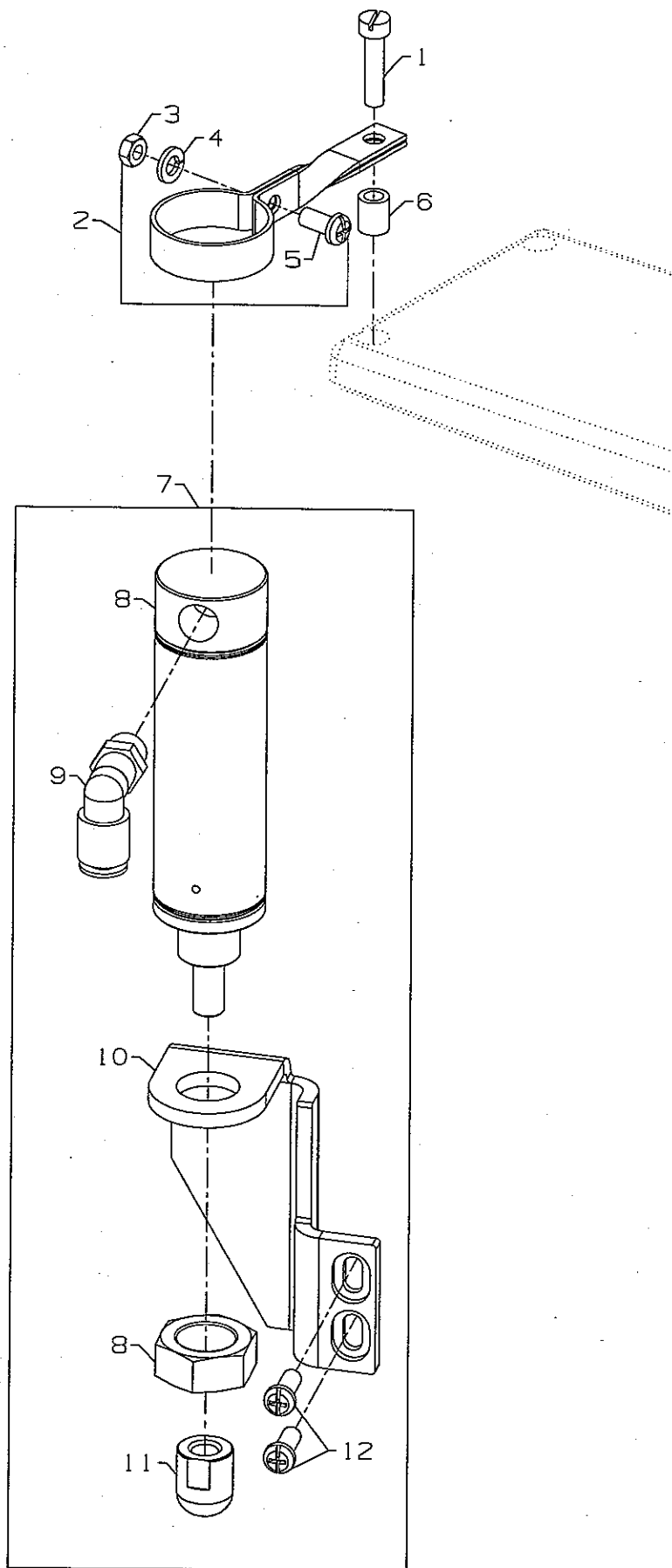
UT COMPONENT DEVICE KEY	
UT DEVICE	COMPONENT USED ON DEVICE
UT1	
UT2	
UT3	•
UT4	•
UT5	•



PNEUMATIC THREAD WIPER ASSEMBLY

Ref.No.	Juki Part No.	Description	Code	Amt.Req.
1.	US-0002990-6L	Pneumatic Thread Wiper Assembly	29906L	1
2.	301-64206	Screw	95167CV	2
3.	301-64305	Clevis	35086BK	1
4.	301-64404	Hex Nut	95294	1
5.	301-64503	Pneumatic Cylinder	999-191H	1
6.	301-52003	Pneumatic Fitting	999-411M5-4	2
7.	PH-0300083-UO	Pin	PH0300083UO	1
8.	302-71209	Hex Nut	95259	2
9.	302-67801	Washer	95956	2
10.	US-0009965-0D	Wiper Bracket	99650D	1
11.	SS-4091015-SP	Screw	SS4091015SP	2
12.	301-54504	Stop Eccentric	50363BF	2
13.	SS-6080610-TP	Screw	SS6080610TP	2
14.	US-0009954-5H	Nut Plate	99545H	1
15.	US-0005233-6B	Pin	52336B	1
16.	US-0009954-5F	Plate	99545F	1
17.	301-54702	Retaining Ring	96280	3
18.	SS-6060210-SP	Screw	SS6060210SP	1
19.	302-26906	Washer	96150	1
20.	301-57408	Leaf Spring	99697AA	1
21.	SS-7090610-SP	Screw	SS7090610SP	2
22.	302-43901	Hex Nut	51250C	1
23.	302-39909	Washer	99652A	2
24.	US-0005036-2B	Plate	50362B	1
25.	US-0009965-3C	Wiper Hook	99653B	1
26.	US-0009965-7E	Lever	99657E	1
27.	SS-6060510-TP	Screw	SS6060510TP	2
28.	301-54603	Washer	96161	1
29.	302-69203	Shoulder Screw	99358	1
30.	US-0099591-DN	Pin	99591DN	1
31.	US-0009954-5G	Push Rod	99545G	1
32.	301-64800	Roller	35086BJ	1
33.	US-0009964-6J	Lever	99646J	1
34.	SS-9120910-TP	Screw	SS9120910TP	1

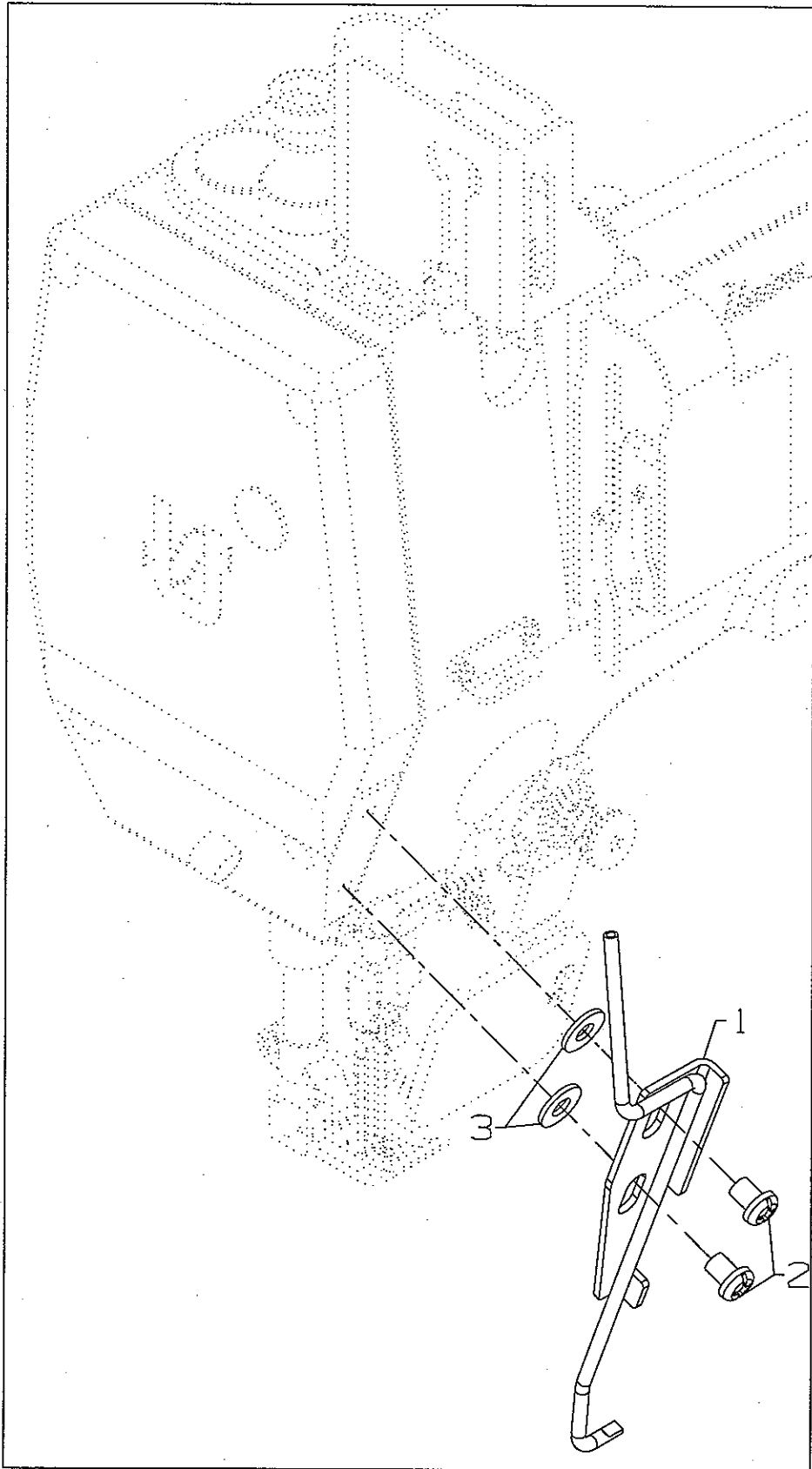
UT COMPONENT DEVICE KEY	
UT DEVICE	COMPONENT USED ON DEVICE
UT1	
UT2	
UT3	•
UT4	
UT5	



PRESSER FOOT LIFTER

Ref.No.	Juki Part No.	Description	Code	Amt.Req.
1.	SS-6122030-SP	Screw	SS6122030SP	1
2.	US-0050383-AR	Cylinder Support Bracket	50383AR	1
3.	NS-6120310-SP	Nut	NS6120310SP	1
4.	WS-0510002-KP	Washer	WS0510002KP	1
5.	SS-4121015-SP	Screw	SS4121015SP	1
6.	US-0005037-4K	Spacer	50374K	1
7.	US-029480A-XJ	Presser Foot Lifter Assembly	29480AXJ	1
8.	US-00671A3-60	Air Cylinder	671A360	1
9.	301-52102	Fitting	671F81C	1
10.	US-0050383-AF	Bracket	50383AF	1
11.	US-0660Z10-99	Air Cylinder Cap	660-1099	1
12.	SS-4121215-SP	Screw	SS4121215SP	2

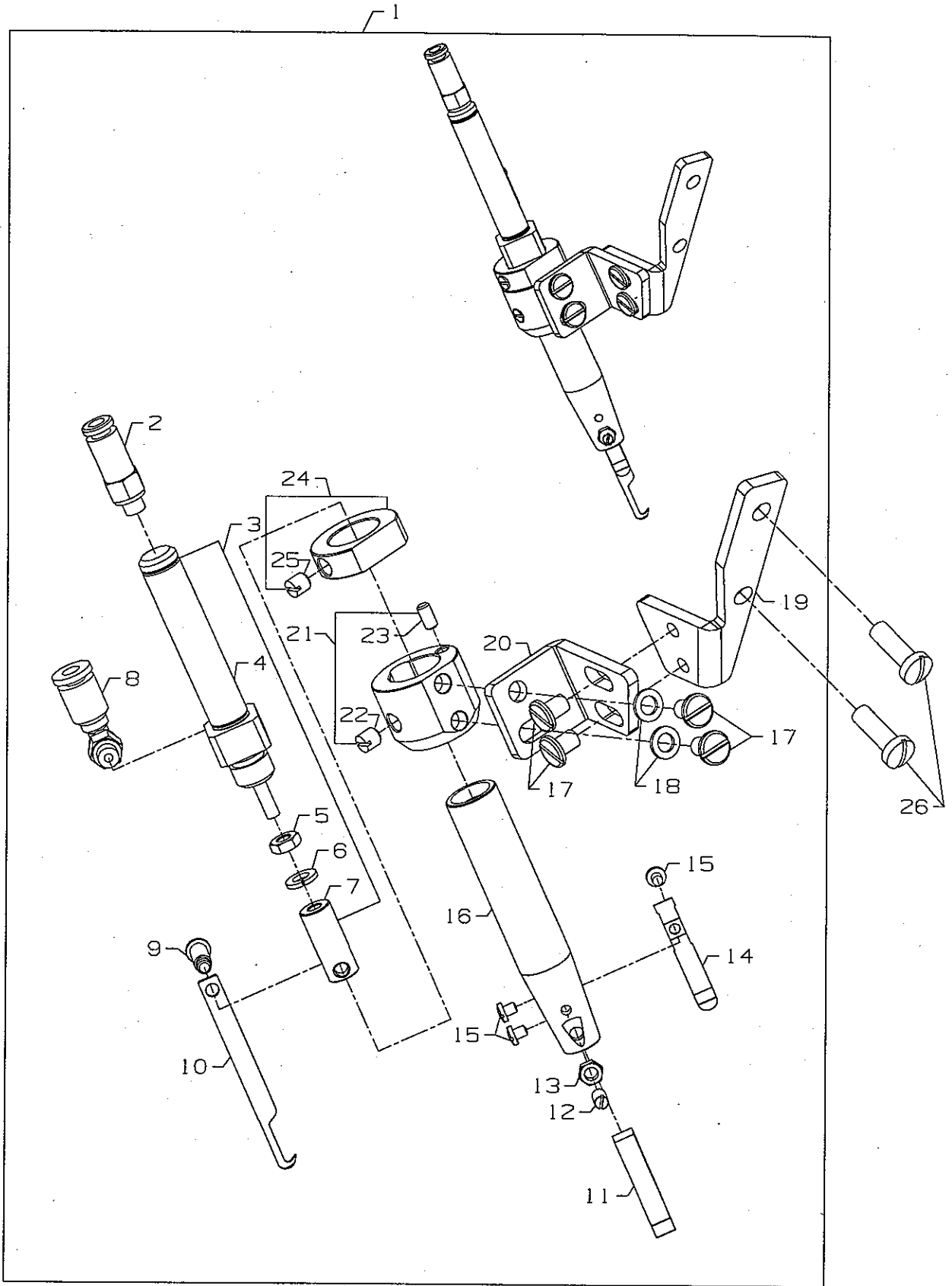
UT COMPONENT DEVICE KEY	
UT DEVICE	COMPONENT USED ON DEVICE
UT1	
UT2	
UT3	•
UT4	•
UT5	•



NEEDLE THREAD BLOWER ASSEMBLY

Ref.No.	Juki Part No.	Description	Code	Amt.Req.
1.	US-0050394-AJ	Needle Thread Blower Assembly	50394AJ	1
2.	SS-4120615-SP	Screw, for needle thread blower assembly	SS4120615SP	2
3.	302-87700	Washer	69H	2

UT COMPONENT DEVICE KEY	
UT DEVICE	COMPONENT USED ON DEVICE
UT1	
UT2	
UT3	
UT4	•
UT5	



PNEUMATIC SPREADER THREAD TRIMMER ASSEMBLY

Ref.No.	Juki Part No.	Description	Code	Amt.Req.
1.	US-0029480-LD	Pneumatic Spreader Thread Trimmer Assembly	29980LD	1
2.	US-00671F8-2G	Male Connector	671F82G	1
3.	US-0029105-BP	Knife Holder Assmebly	29105BP	1
4.	US-00671A3-63	Air Cylinder	671A363	1
5.	US-0660211-05	Nut	660-1105	1
6.	WS-0410002-KP	Washer	WS0410002KP	1
7.	US-0005037-2D	Moving Knife Holder	50372D	1
8.	US-00671F8-2F	Male Elbow	671F82F	1
9.	305-43904	Screw	22731	1
10.	US-0005037-0H	Moving Knife	50370H	1
11.	US-0005034-9F	Lower Knife	50349F	1
12.	SS-8080610-SP	Screw	SS8080610SP	1
13.	NS-6080210-SP	Nut	NS6080210SP	1
14.	US-0050332-AG	Spring	50332AG	1
15.	SS-7060310-SP	Screw	SS7060310SP	3
16.	US-0005037-2C	Knife Holder	50372C	1
17.	SS-6110610-TP	Screw	SS6110610TP	4
18.	WP-0450846-SP	Washer	WPO450846SP	2
19.	US-0050383-AT	Bracket	50383AT	1
20.	US-0050383-AS	Bracket	50383AS	1
21.	US-0005033-3L	Collagr, guide	50333L	1
22.	SS-8110520-TP	Screw	SS8110520TP	1
23.	PH-0300062-CO	Pin	PH0300062CO	1
24.	US-0005033-3K	Collar	50333K	1
25.	SS-8110520-TP	Screw	SS8110520TP	1
26.	SS-4120915-SP	Mounting Screws	SS4120915SP	2

UT COMPONENT DEVICE KEY	
UT DEVICE	COMPONENT USED ON DEVICE
UT1	
UT2	
UT3	
UT4	
UT5	•

NUMERICAL INDEX OF PARTS

<u>Part No.</u>	<u>Page No.</u>	<u>Part No.</u>	<u>Page No.</u>	<u>Part No.</u>	<u>Page No.</u>	<u>Part No.</u>	<u>Page No.</u>
300-46205	17	302-16709	25, 31	305-43201	23	US-0005033-3B	21
300-46304	17	302-18309	19, 25, 31	305-43409	29	US-0005033-3K	27, 39
300-52104	23	302-26906	23, 33	305-43508	29	US-0005033-3L	27, 39
300-66401	29	302-39909	33	305-43607	31	US-0005034-9F	27, 39
300-66906	31	302-43109	25, 31	305-43706	31	US-0005035-8Y	17
300-83000	17	302-43208	31	305-43904	27, 39	US-0005036-2B	23, 33
300-88603	31	302-43901	23, 33	B3101-804-000	17	US-0005036-6L	19
300-90500	19	302-67801	33	B3103-804-000	17	US-0005036-7H	21
300-95905	21	302-69203	23, 33	B3112-704-000	17	US-0005037-0H	27, 39
300-98107	21	302-71209	33	B3120-352-000	17	US-0005037-2C	27, 39
301-01109	17	302-77800	17	B3121-804-000	17	US-0005037-2D	27, 39
301-03600	25, 31	302-77909	17	B3126-012-000	17	US-0005037-4A	17
301-05803	17	302-78105	17	GAK-33034000	21	US-0005037-4K	35
301-52003	33	302-78303	17	GAK-3303600A	21	US-0005038-3N	31
301-52102	29, 35	302-87700	37	GAK-8403000A	21	US-0005038-3S	21
301-52201	29	302-93609	25	NS-6080210-SP	27, 39	US-0005039-2R	17
301-52300	31	302-96800	31	NS-611420-SP	17	US-0005039-2X	17
301-52508	29	303-00107	25, 31	NS-6120310-SP	35	US-0005039-5N	21
301-54405	19	303-00206	25, 31	NS-6150430-SP	21	US-0005039-5P	21
301-54504	23, 33	303-00404	25, 31	NS-6660430-SP	21	US-0005039-5R	21
301-54603	23, 33	303-00503	25, 31	PH-0300062-CO	27, 39	US-0005233-6B	33
301-54702	33	303-00701	25, 31	PH-0300083-UO	23, 33	US-000670K-28	25
301-55006	31	303-01006	25, 31	RE-0250000-KO	19	US-000670K-82	21
301-55105	29	303-01105	25	SD-0600176-SP	19	US-000670K-85	27
301-55501	25, 31	303-01204	25	SM-1020450-TP	19	US-000671D-42	29
301-55600	25, 31	303-01303	25	SM-6020250-TP	19	US-000671F-88	29
301-55808	31	303-01402	25, 31	SM-6020600-TP	19	US-000671F2-41	29
301-55907	31	303-62701	17	SS-4051281-SE	21	US-0009954-5F	33
301-56004	25, 31	303-62800	17	SS-4091015-SP	23, 33	US-0009954-5G	23, 33
301-56202	31	303-62909	17	SS-4120615-SP	37	US-0009954-5H	23, 33
301-56301	31	303-63006	17	SS-4120915-SP	39	US-0009964-6J	23, 33
301-56400	25, 31	303-63808	19	SS-4121015-SP	35	US-0009965-0D	33
301-56608	25	303-64005	19	SS-4121215-SP	35	US-0009965-3C	33
301-56707	31	303-64103	19	SS-4121415-SP	31	US-0009965-7E	23, 33
301-56905	25, 31	303-64509	19	SS-4121915-SP	27	US-0018214-72	19
301-57200	25, 31	303-64608	19	SS-6060210-SP	23, 33	US-0018214-74	19
301-57408	23, 33	303-64806	19	SS-6060510-TP	23, 33	US-0029105-BP	39
301-60501	25	303-64905	19	SS-6080610-TP	33	US-0029105-BR	27
301-60600	25	303-65100	19	SS-6110610-TP	27, 39	US-0029477-NL	17
301-60808	17	303-65209	19	SS-6110710-TP	21	US-0029480-LD	39
301-64107	25	303-65308	19	SS-6111010-SP	25	US-0029980-LE	27
301-64206	33	303-65407	19	SS-6122030-SP	35	US-0034750-SA	19
301-64305	33	303-65605	19	SS-7060310-SP	39	US-0050332-AB	23
301-64404	33	303-65704	19	SS-706310-SP	27	US-0050332-AD	19
301-64503	33	303-66009	19	SS-7090510-SP	23	US-0050332-AG	27, 39
301-64800	33	303-66108	19	SS-7090520-SP	17	US-0050337-AX	19
301-66508	29	303-66207	19	SS-7090610-SP	23, 33	US-0050357-AT	19
301-78602	21	303-66306	19	SS-8080610-SP	27, 39	US-0050357-AU	19
301-79402	29, 31	303-67007	19	SS-8110520-TP	27, 39	US-0050357-AV	19
301-79501	31	303-86502	19	SS-9111010-SP	21	US-0050357-AW	19
301-79600	31	303-91502	19	SS-9120910-TP	23, 33	US-0050357-AX	19
301-79709	31	304-21309	29, 31	SS-9151420-TP	21	US-0050368-AE	19
301-79808	31	304-40200	23	US-0002990-6L	33	US-0050373-DG	25, 31
301-80004	31	304-91005	19	US-0002990-6M	23	US-0050383-AF	35
302-11106	17	304-96905	21	US-0002992-0D	21	US-0050383-AR	35
302-15800	17	305-00300	19	US-0002992-1D	21	US-0050383-AS	27, 39
302-16006	25, 31	305-3300	29	US-0003476-8C	19	US-0050383-AT	27, 39