

**SINGER**  
**45K58**

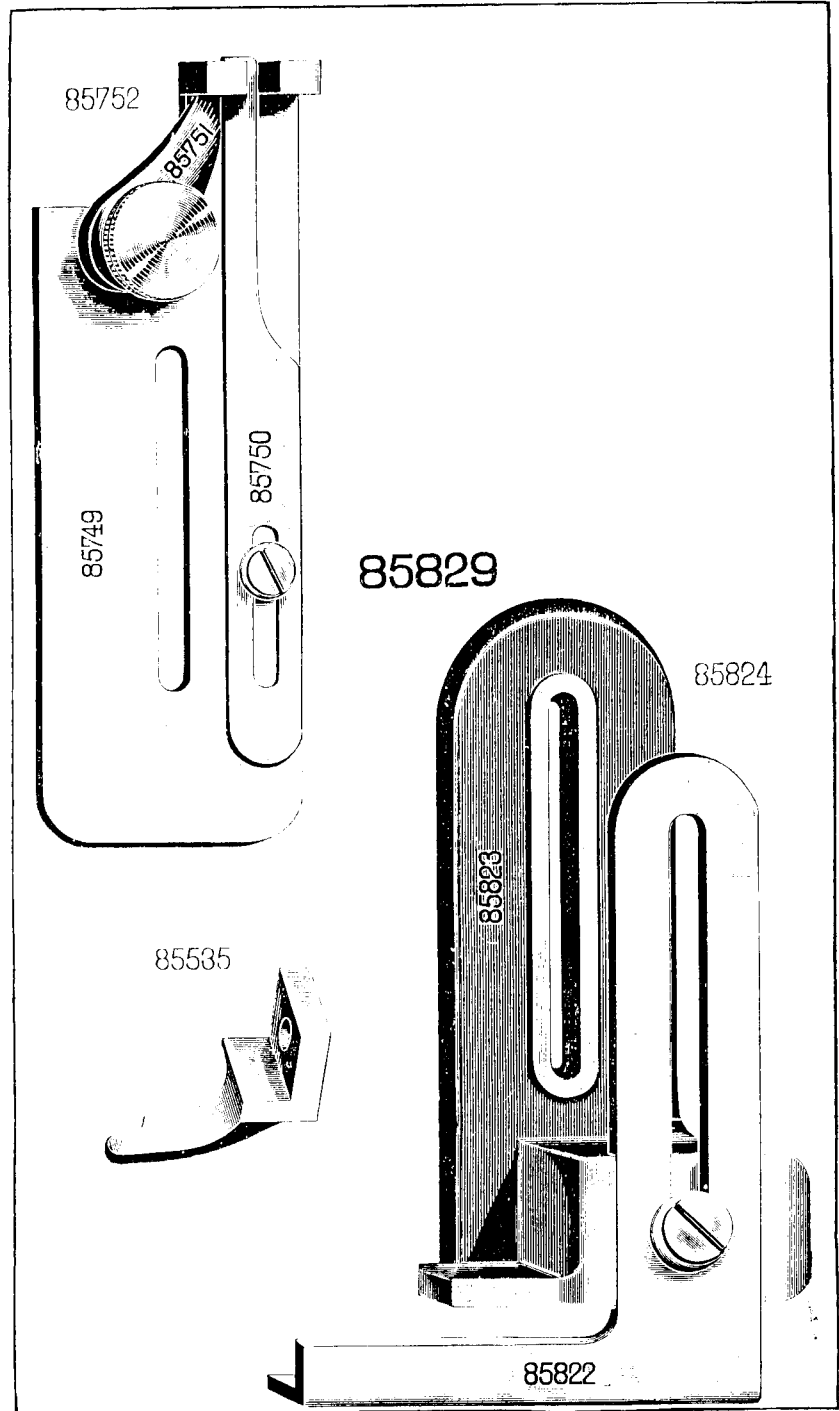
ILLUSTRATED  
LIST OF PARTS

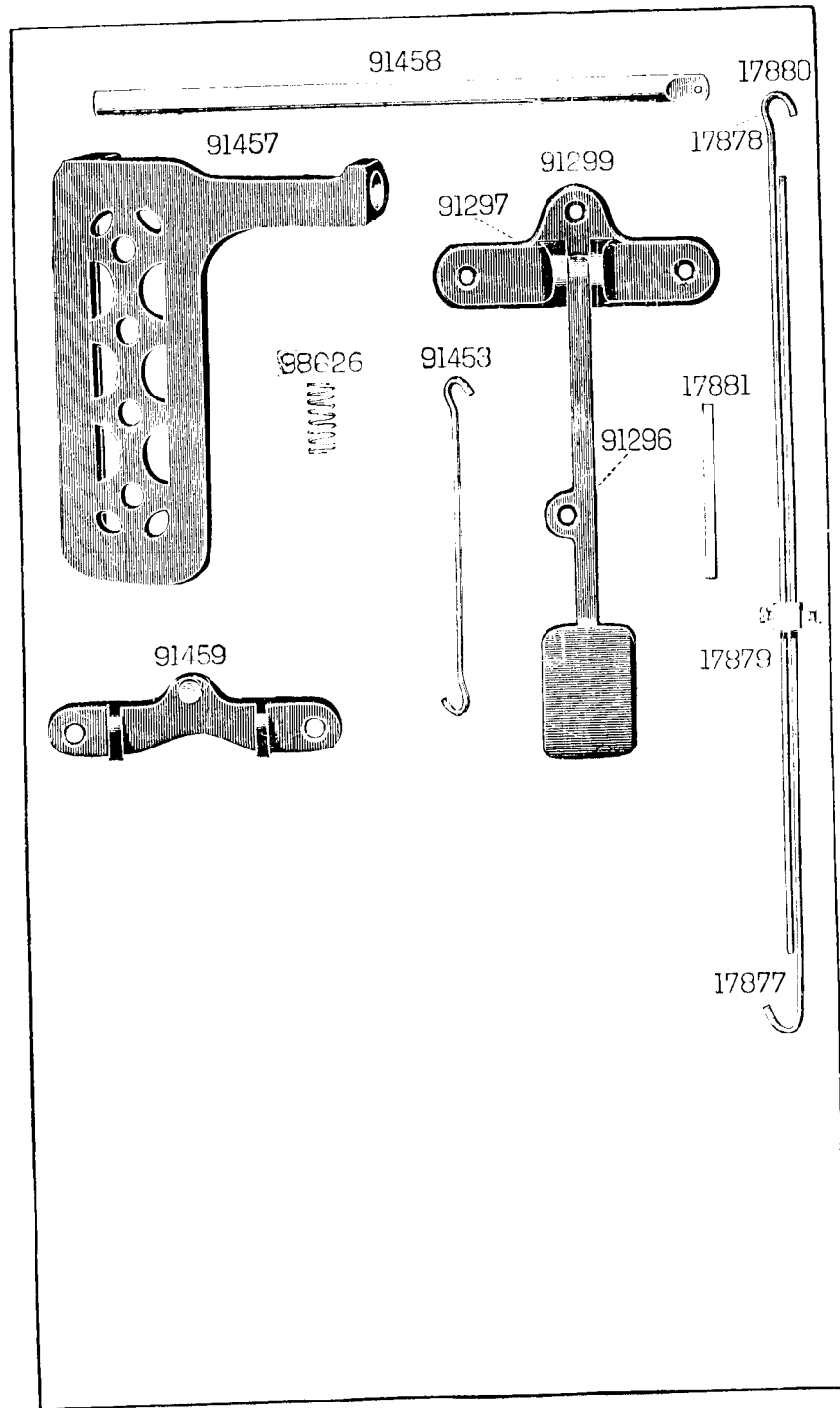
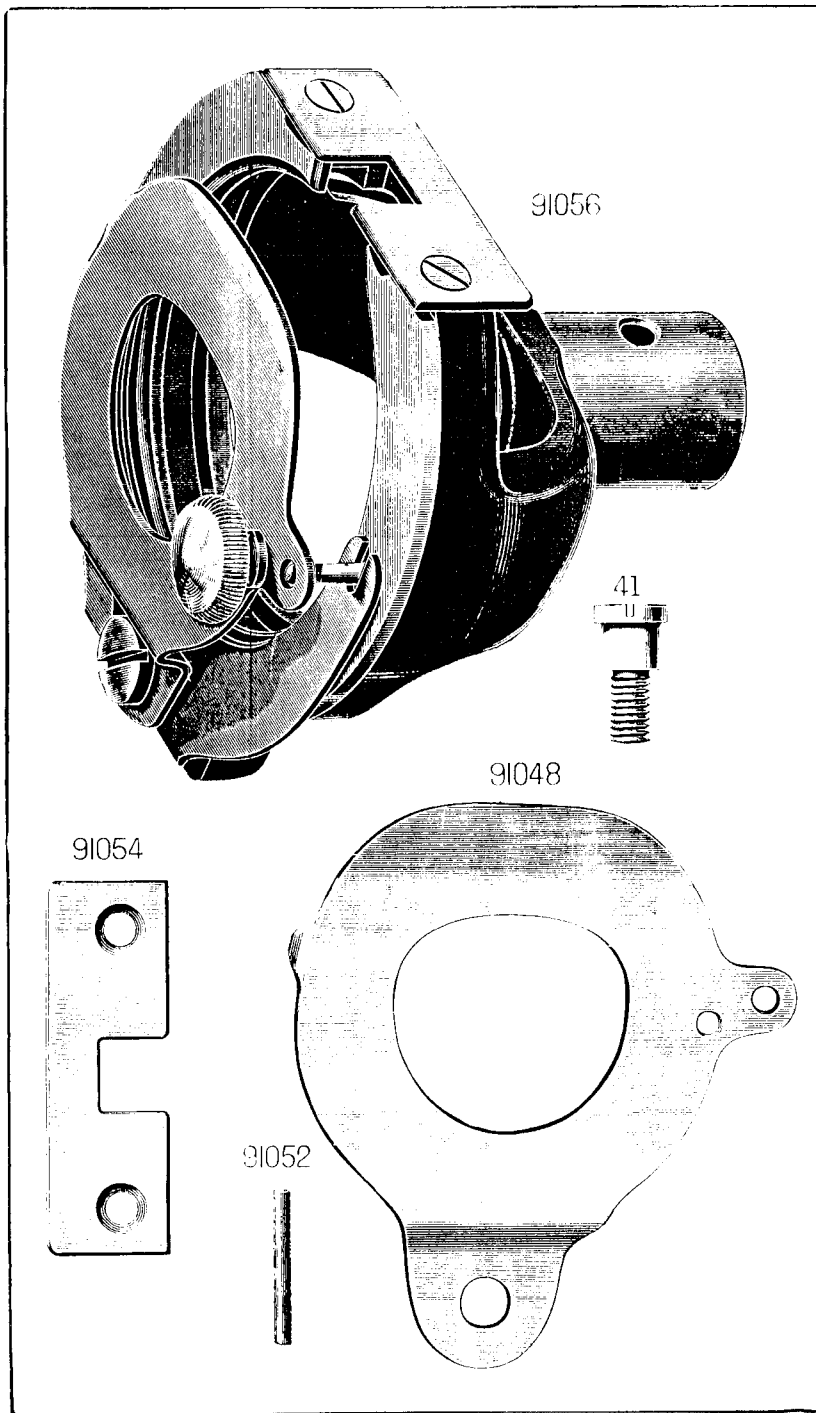
FOR

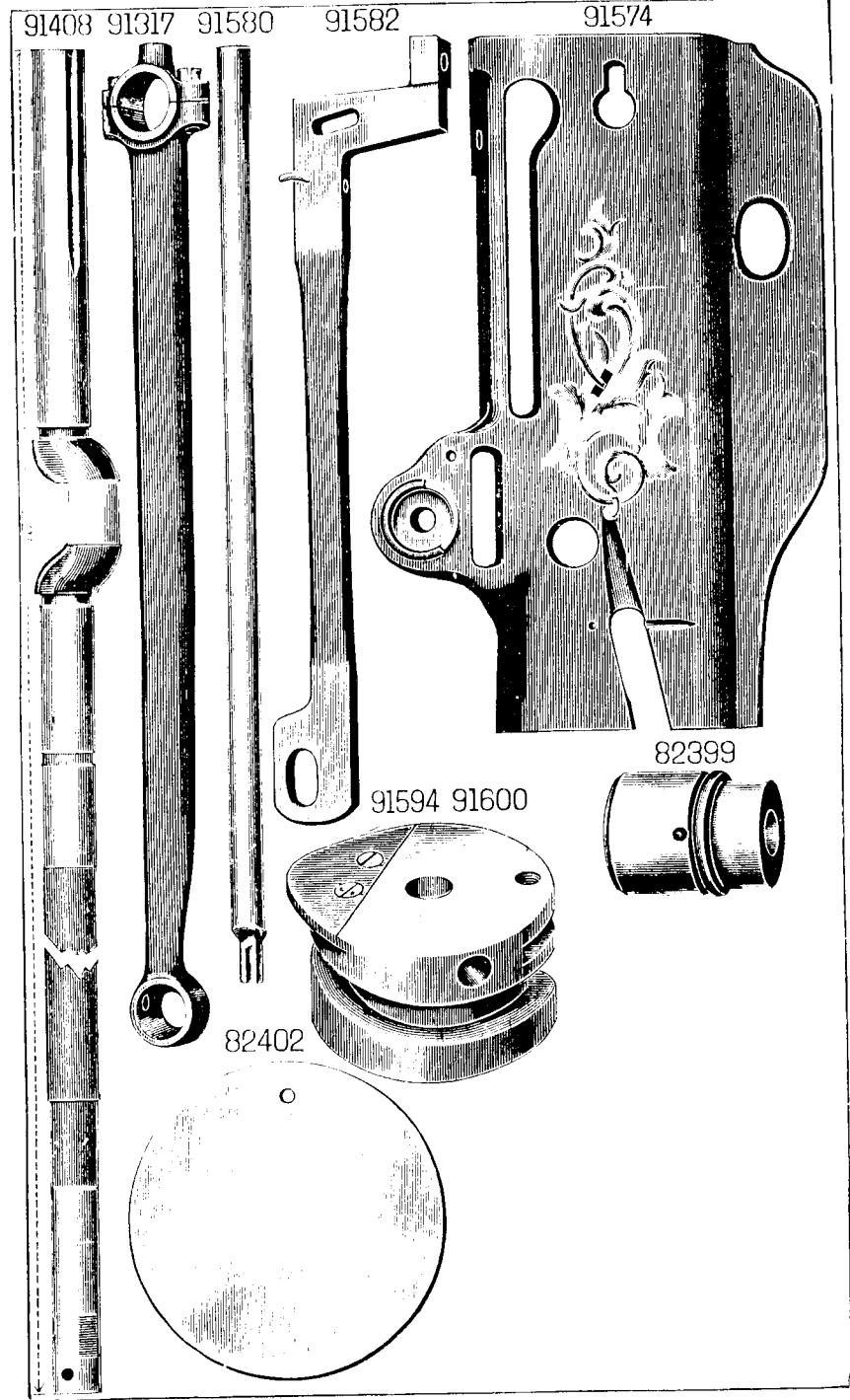
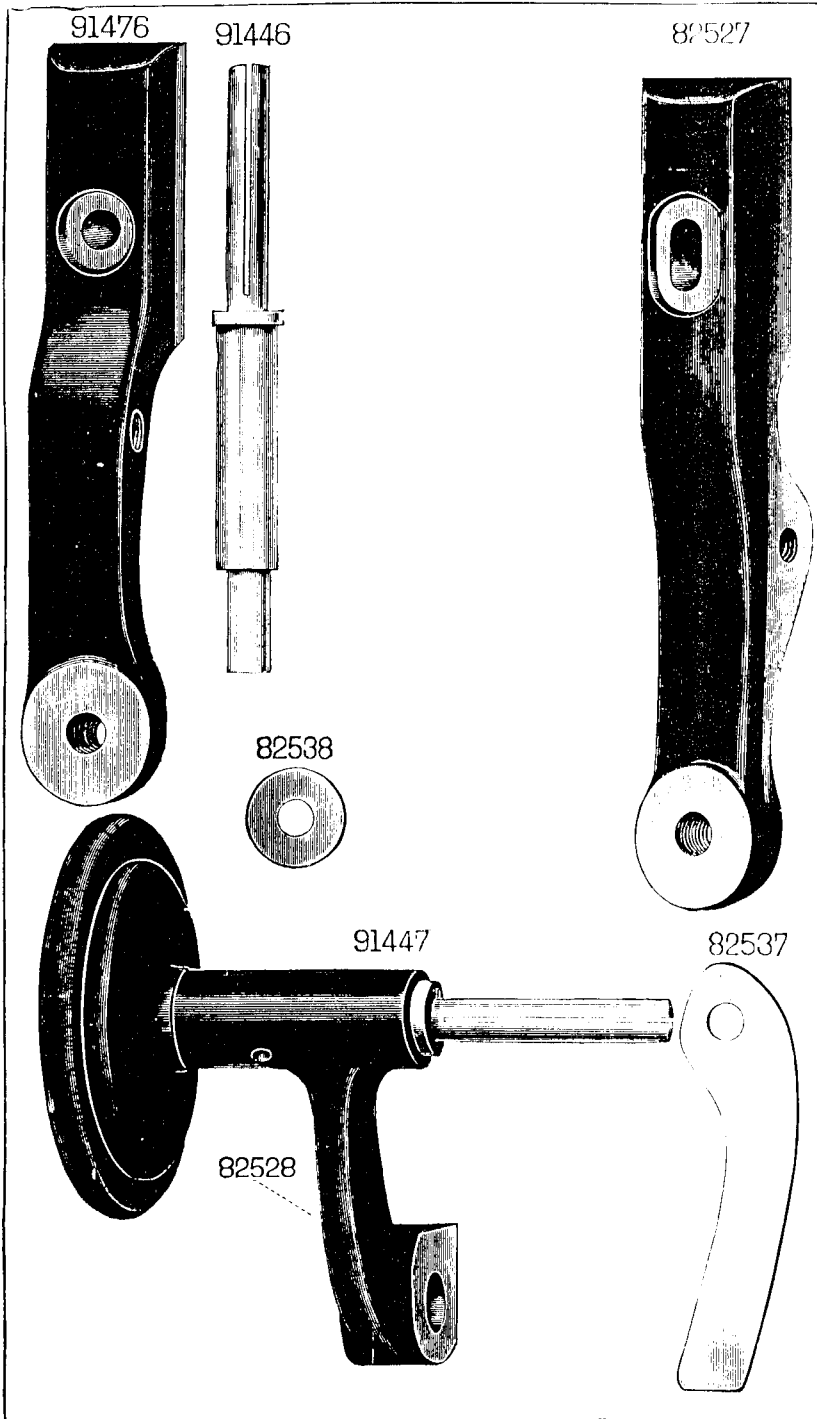
No. 45K58 Machine

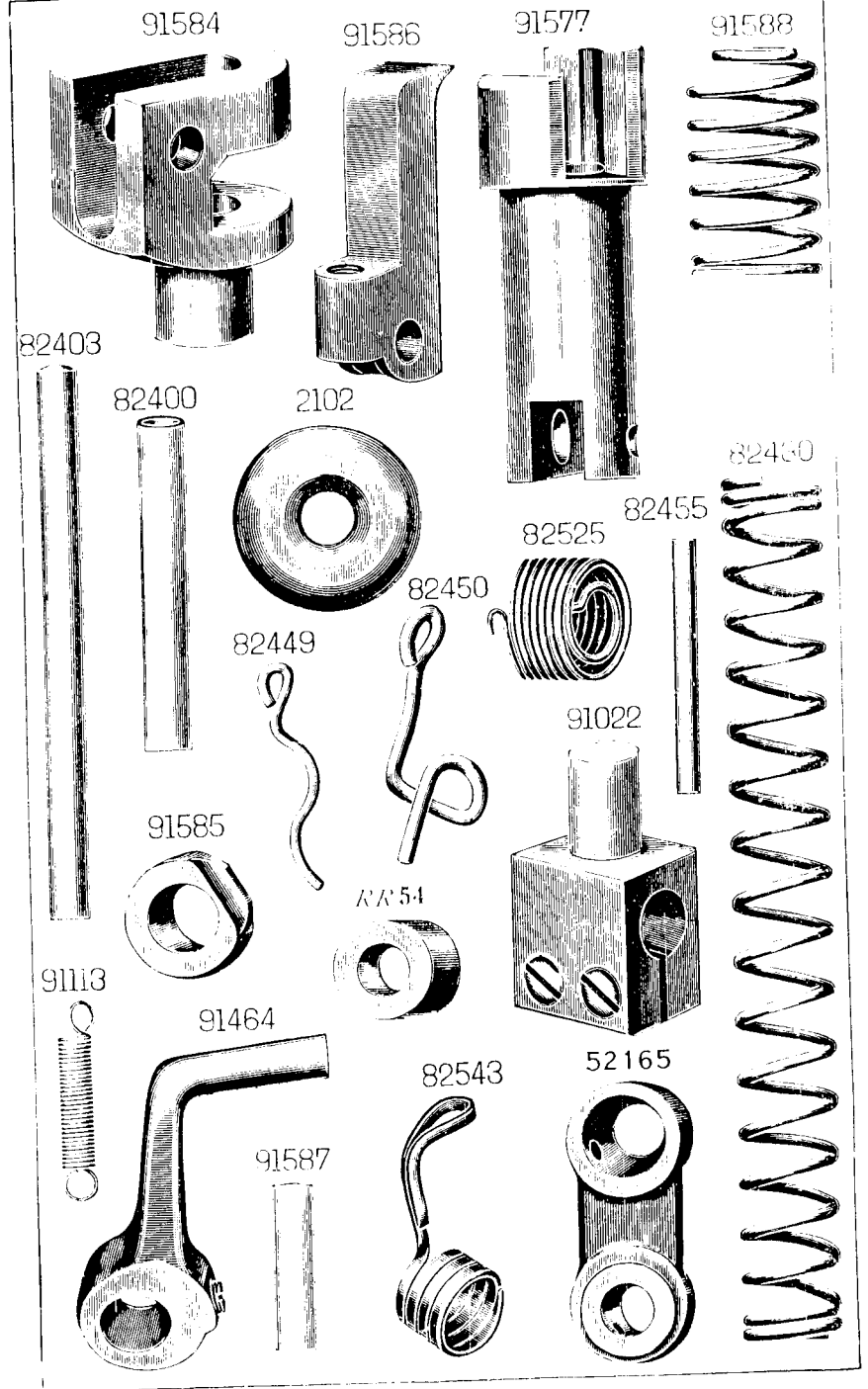
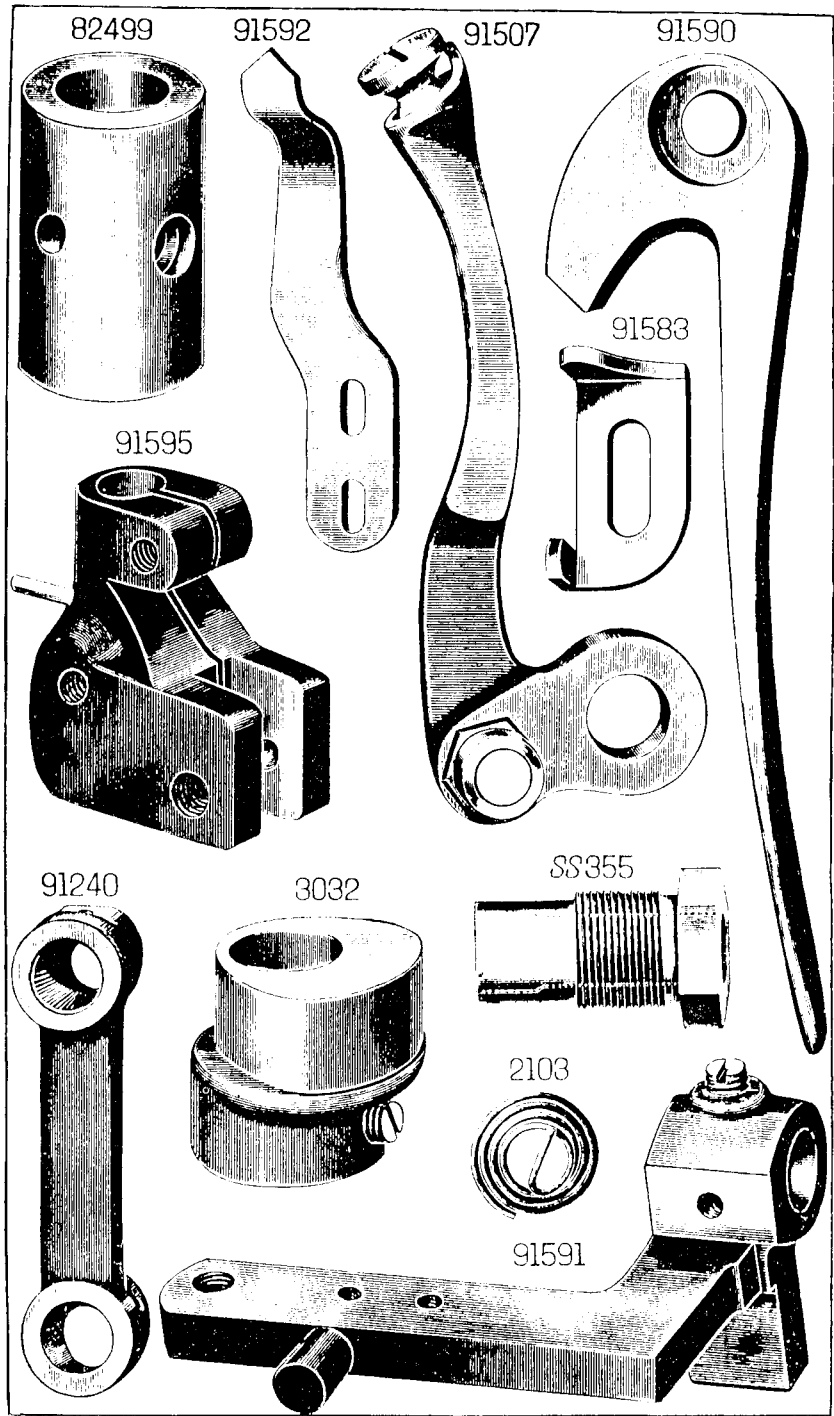


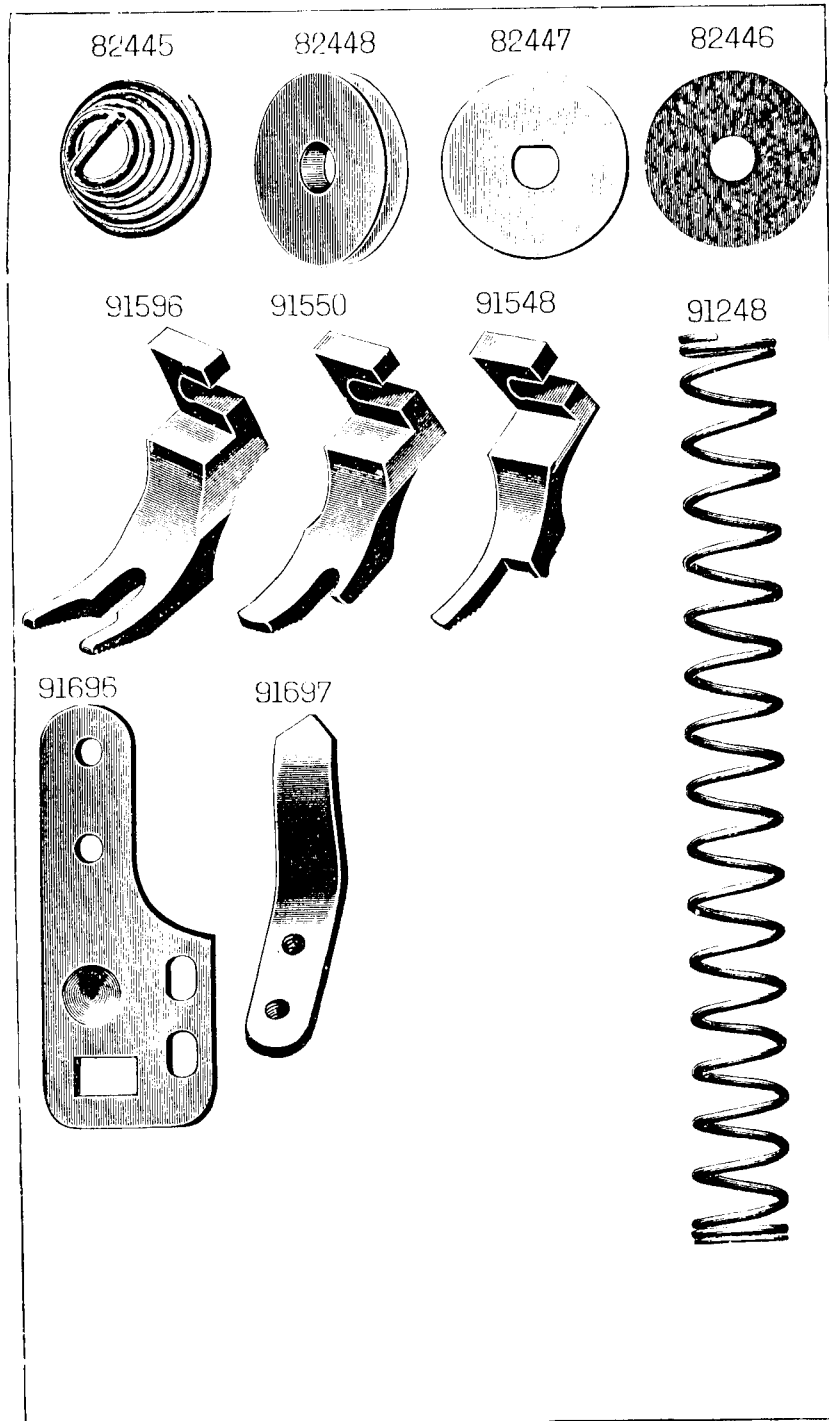
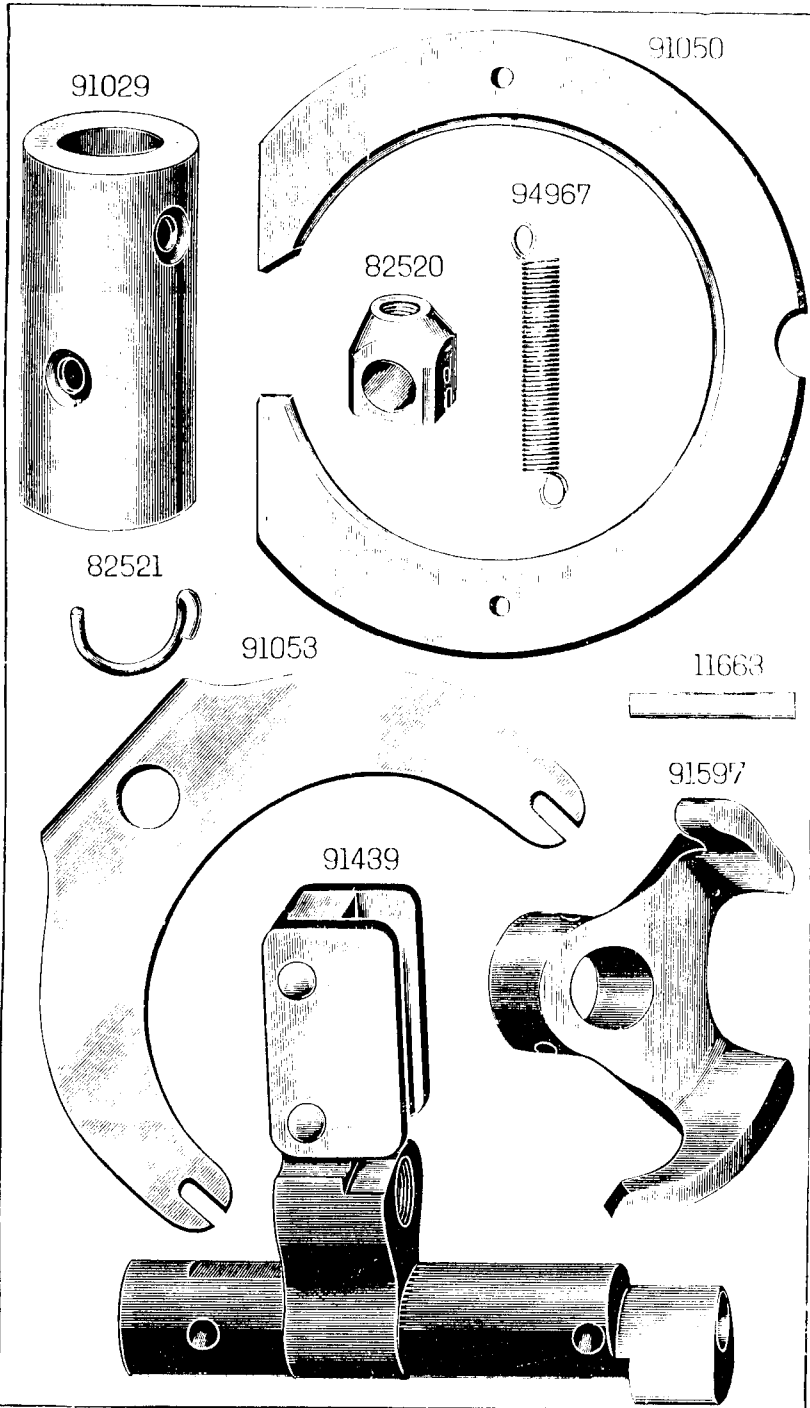
\*\*A Trade Mark of  
THE SINGER MANUFACTURING CO.







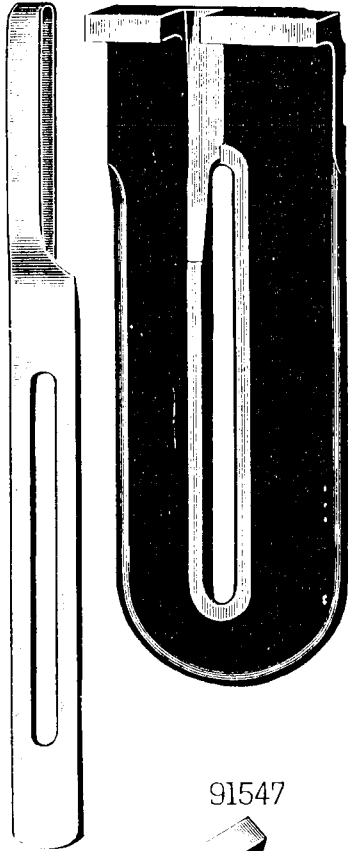




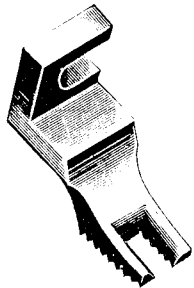
86288

86286

86287



91547

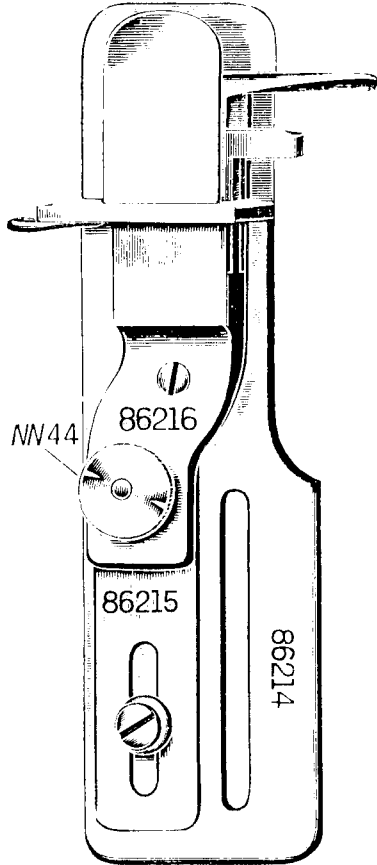


703



86285

86217



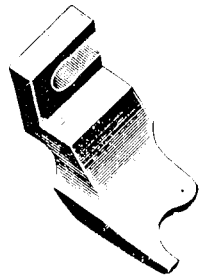
NW44

86216

86215

86214

86144

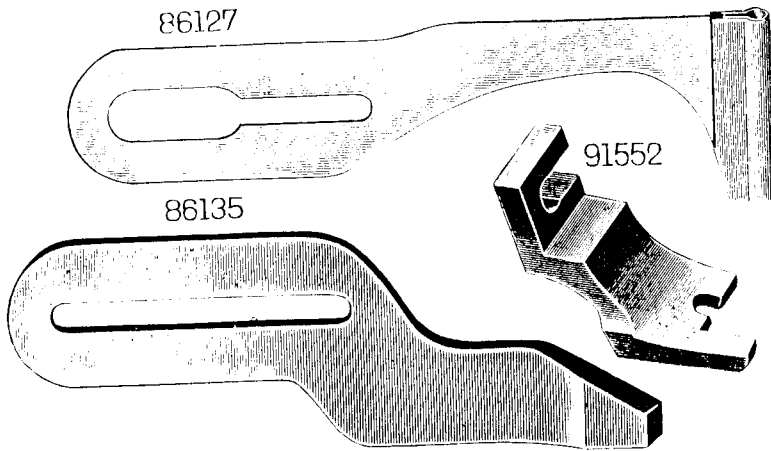


86289

86127

86135

91552



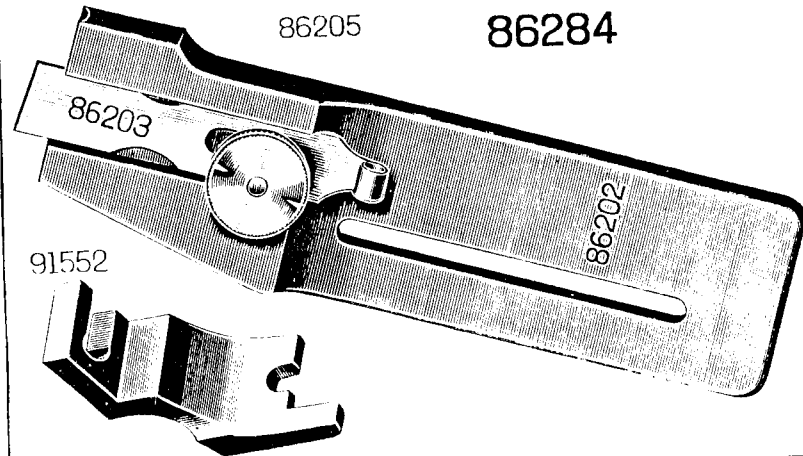
86205

86284

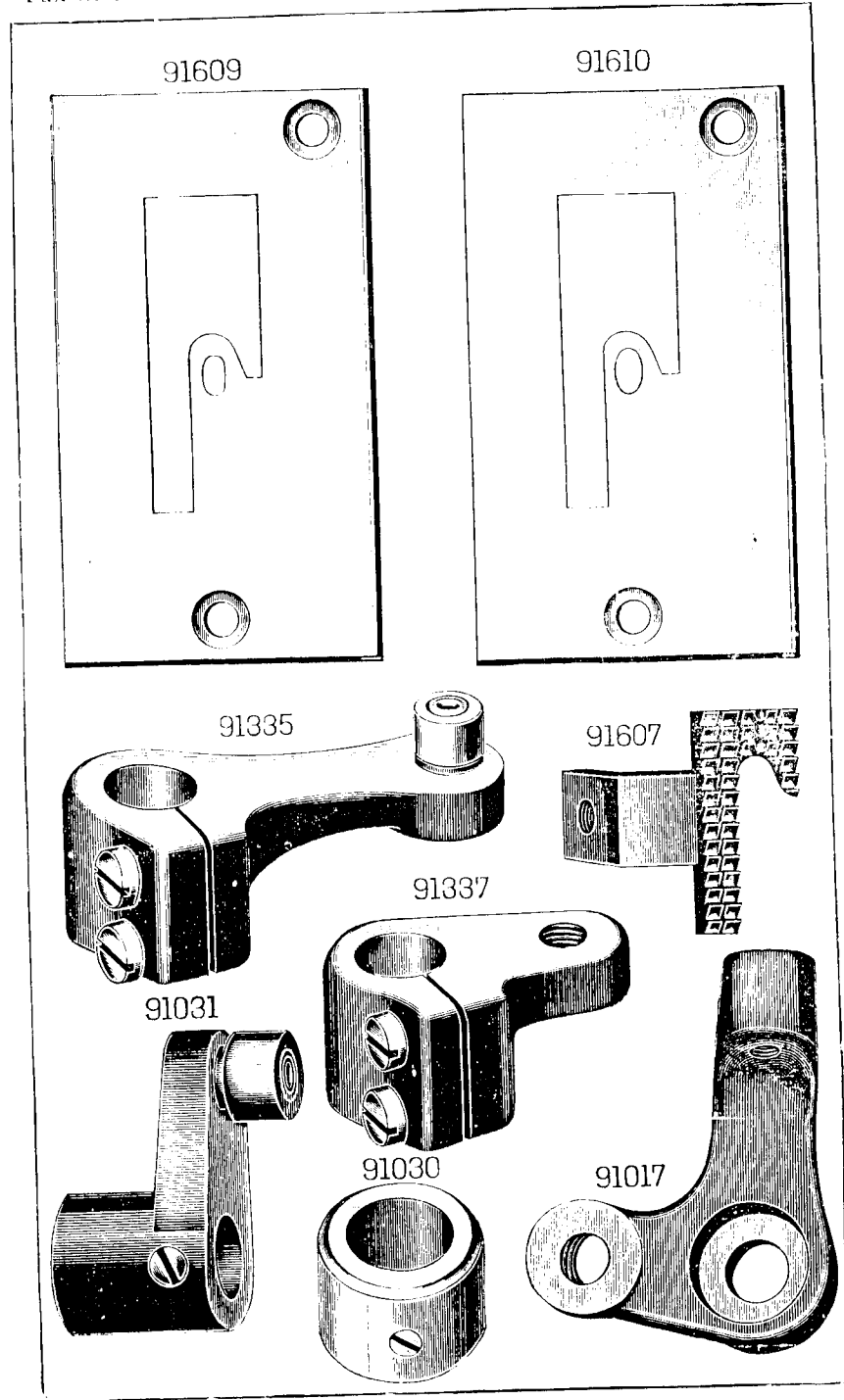
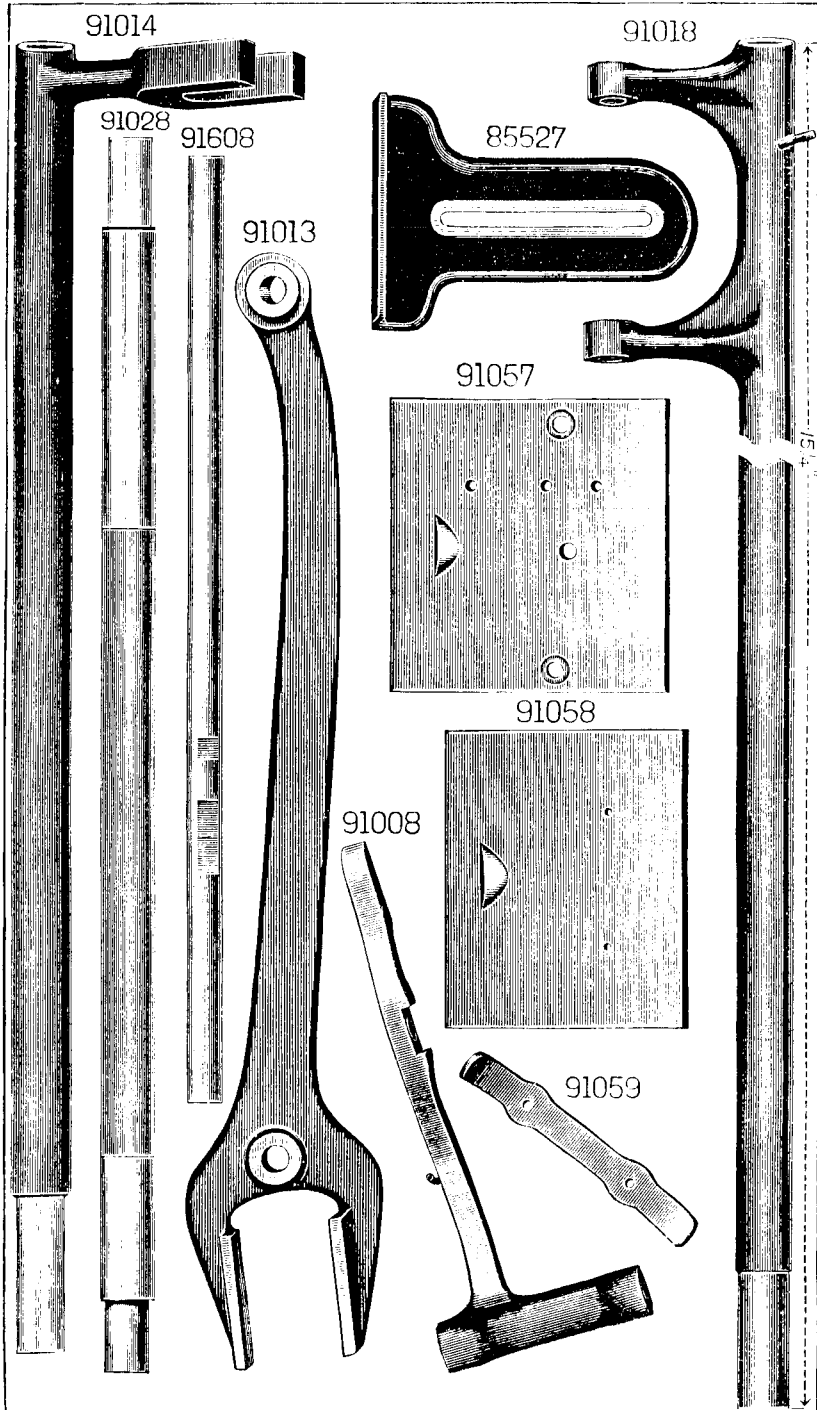
86203

91552

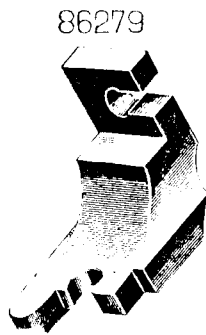
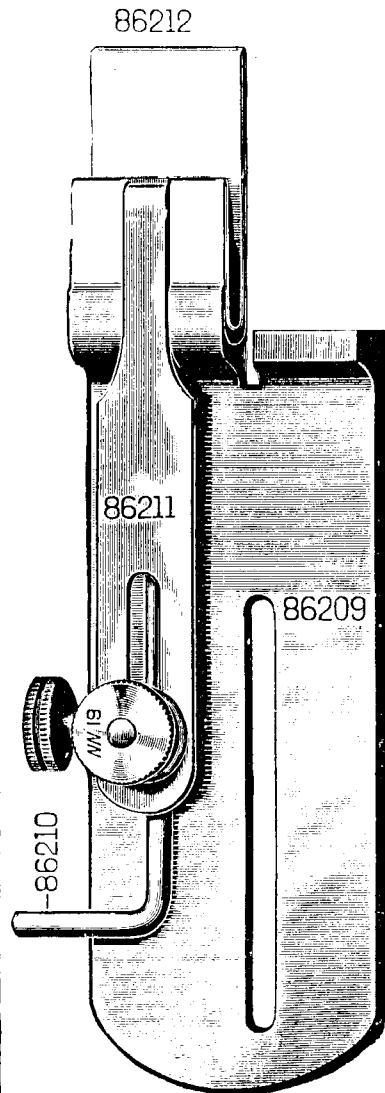
86202







86290

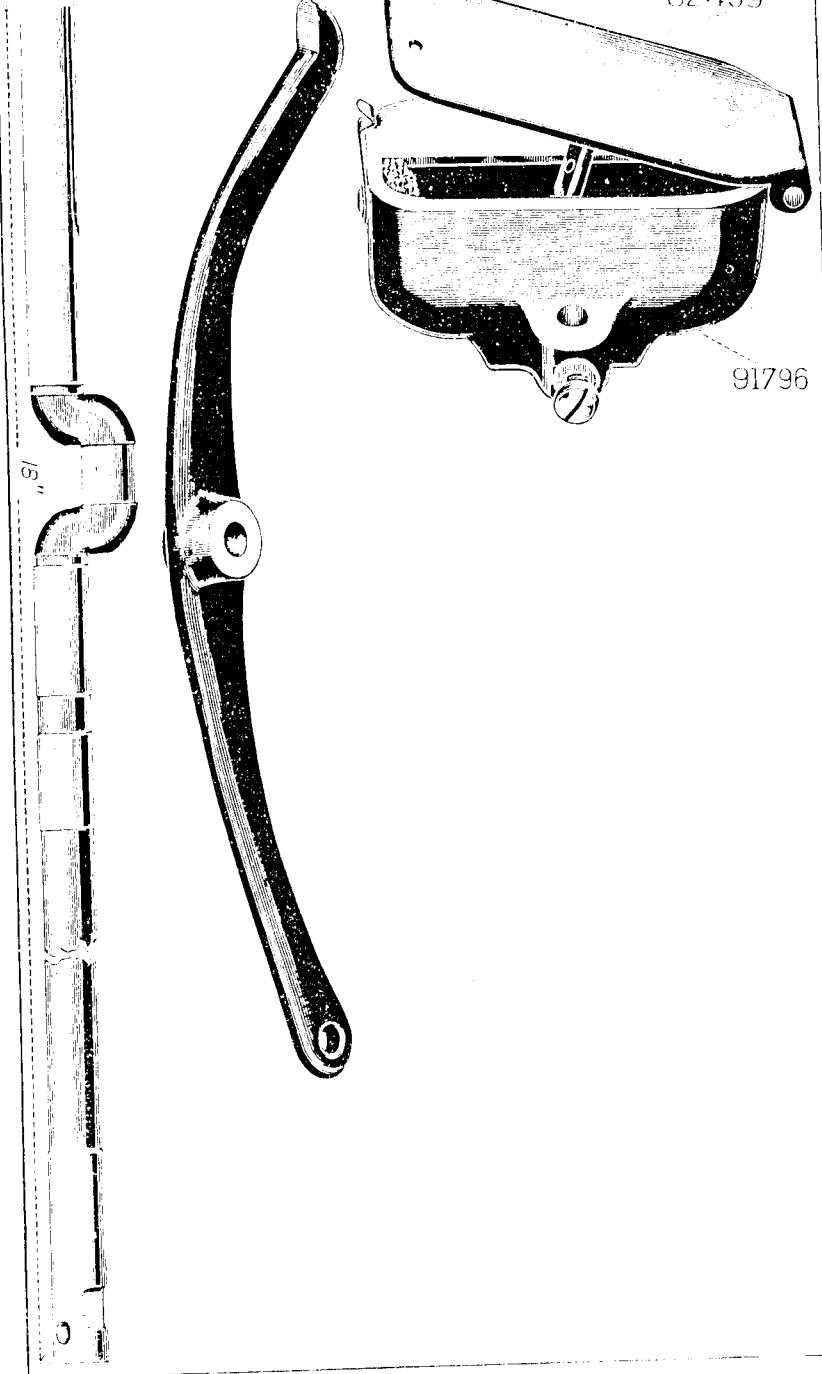


91615

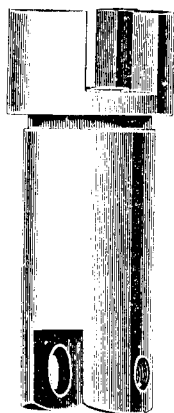
91716

91797

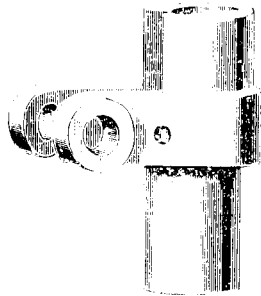
82459



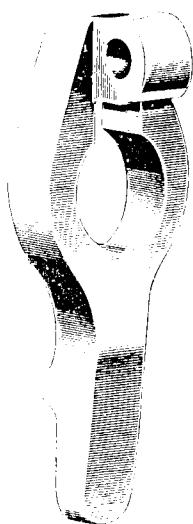
91739



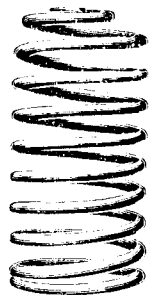
91742



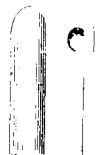
91745



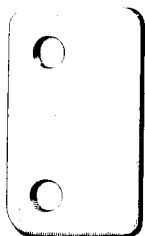
91746



91743



91025



8575



91026



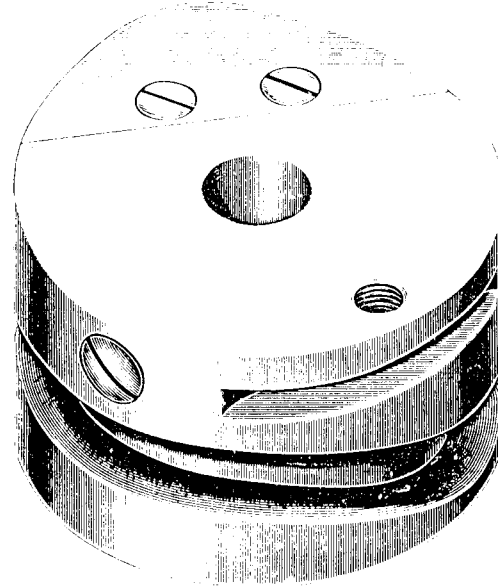
91112



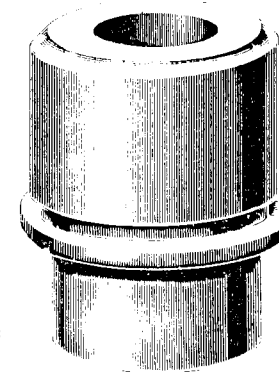
91744



91710



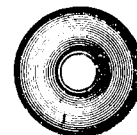
82549



2106



2455



10141



80106



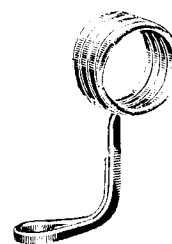
82462



82464



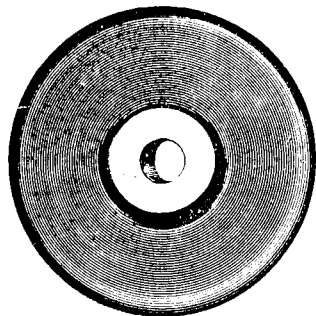
82551



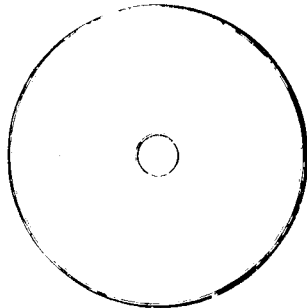
92814



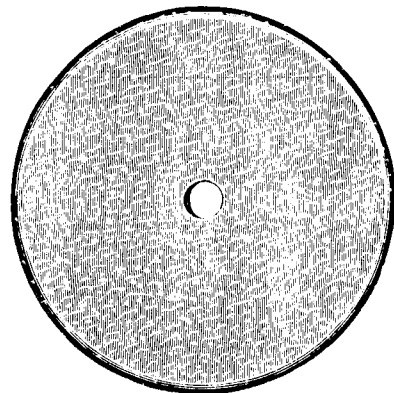
5963



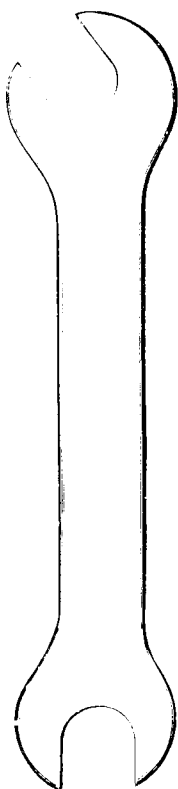
506L



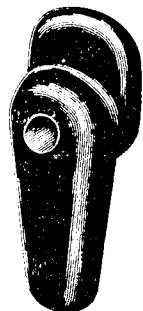
5960



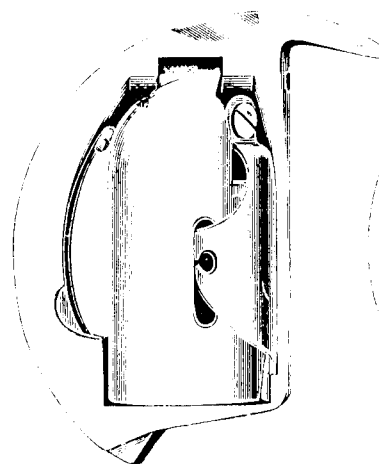
8908



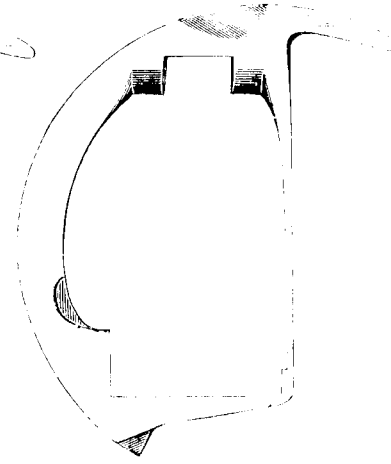
84118



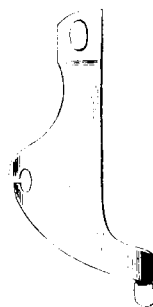
95084



95082



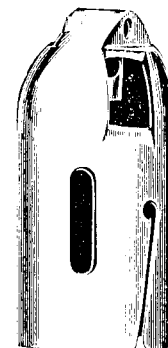
95083



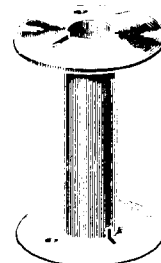
95081

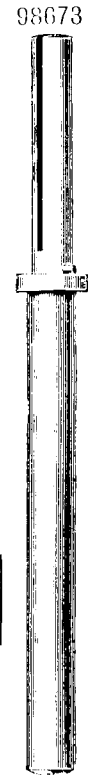
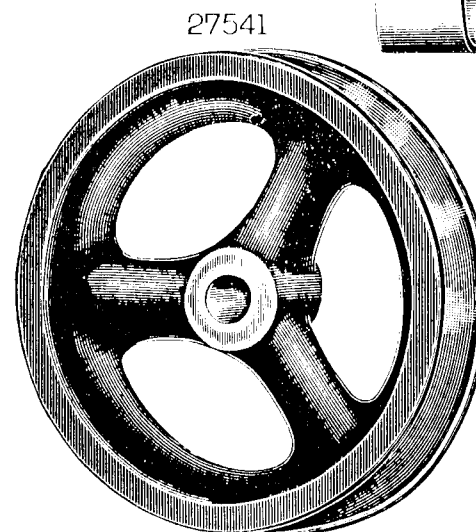
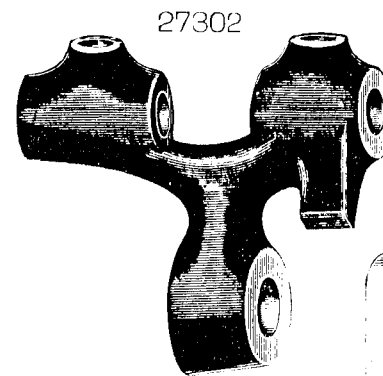
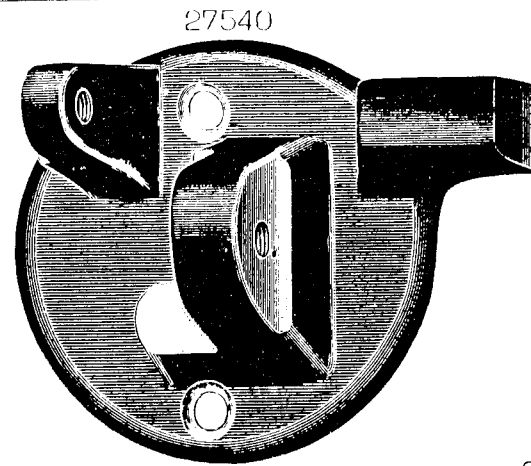
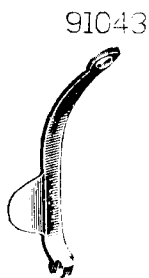
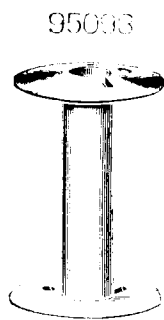
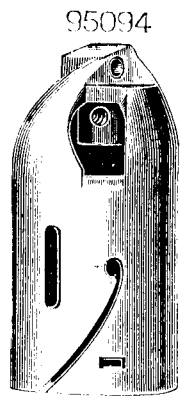
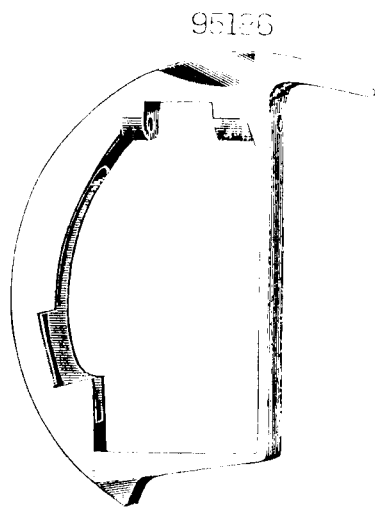
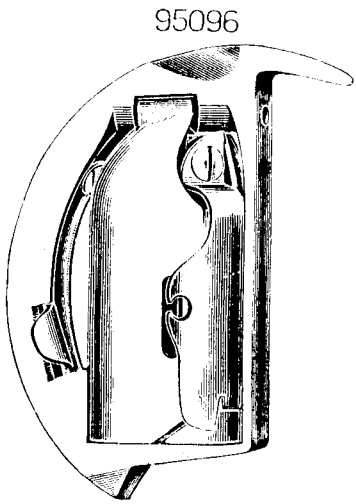


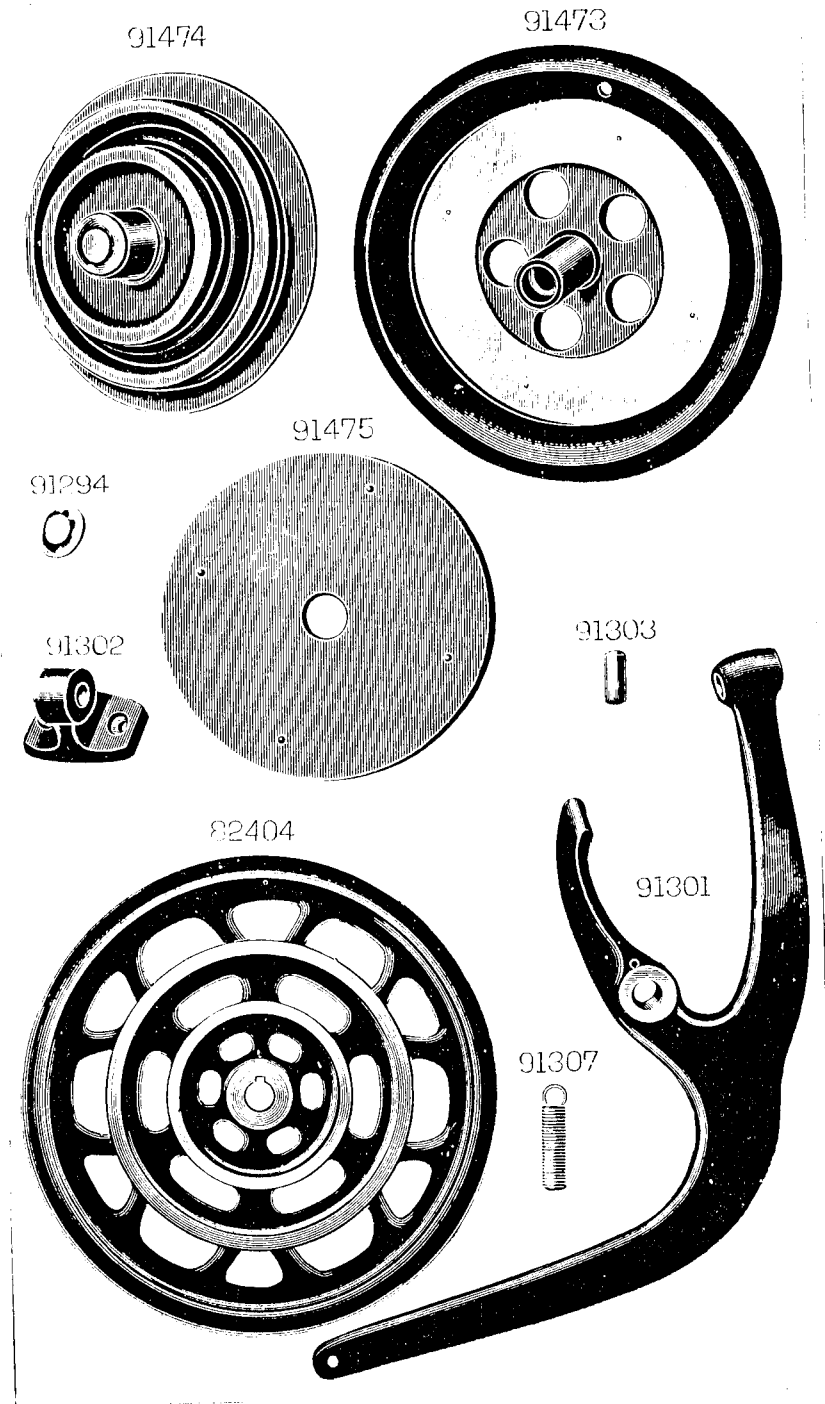
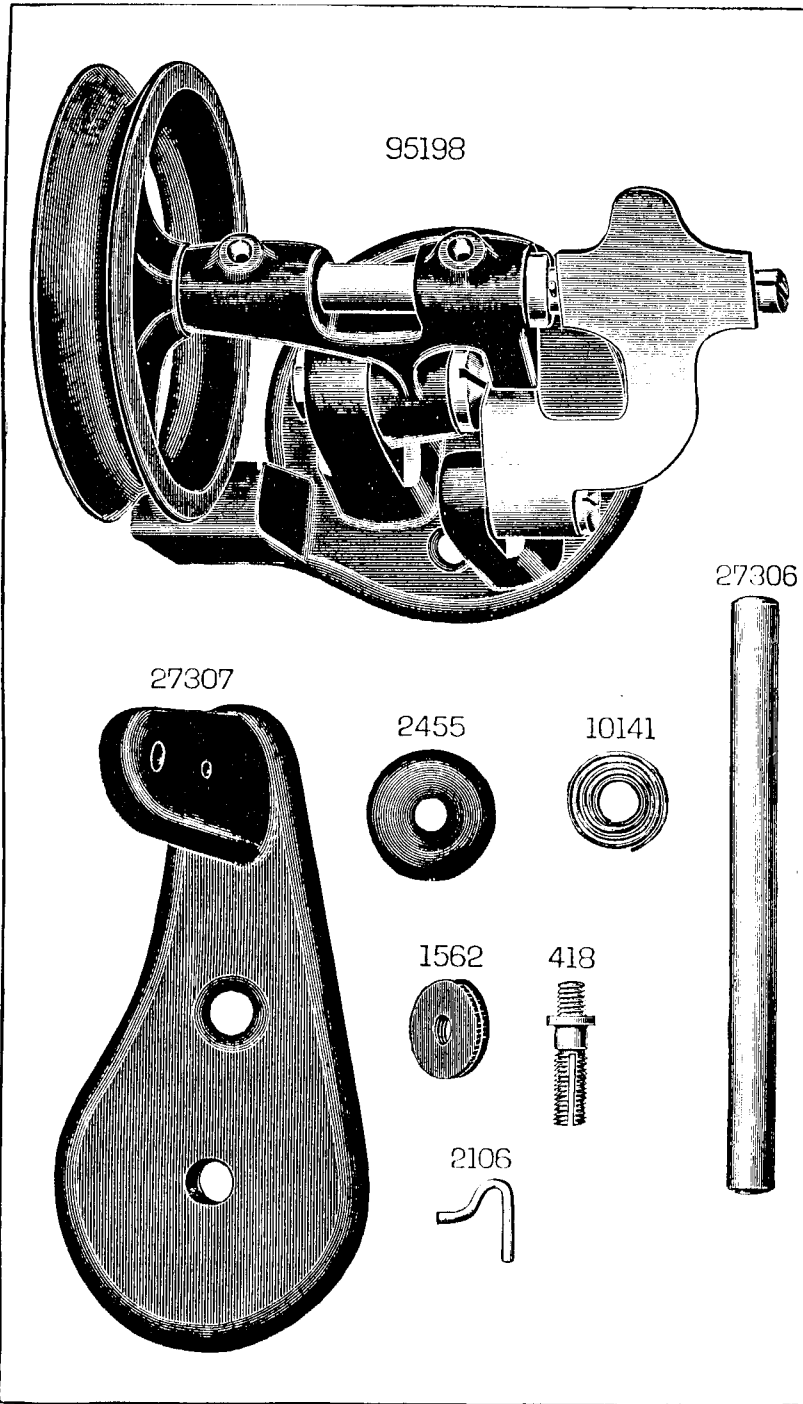
95080



95093



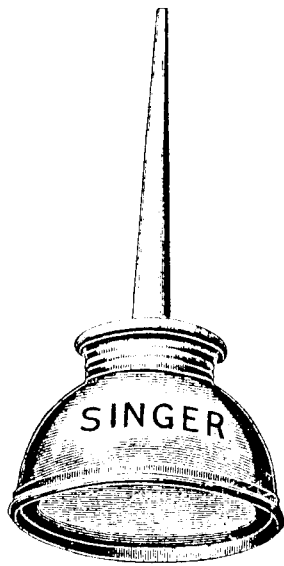




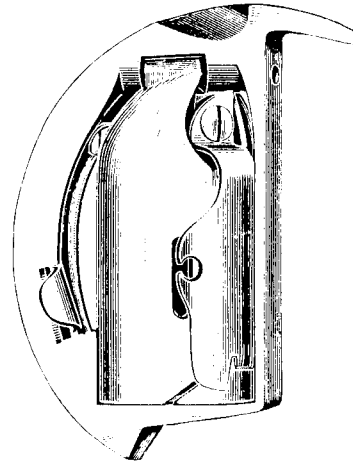
86611



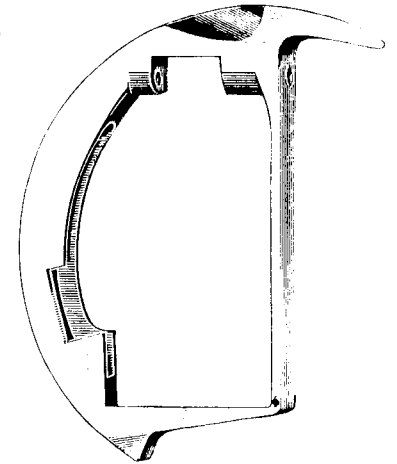
120342



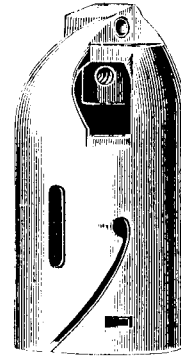
98622



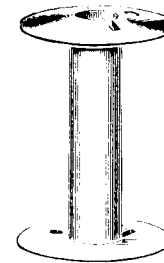
98619



95094



95093



95095



91042



91043

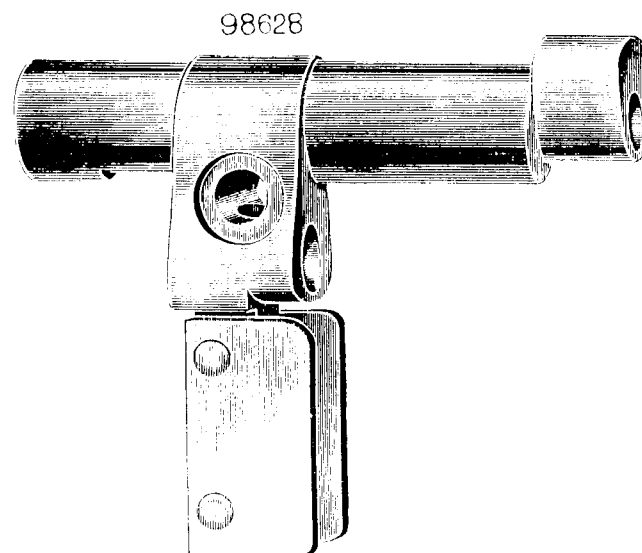
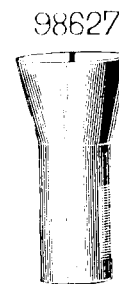
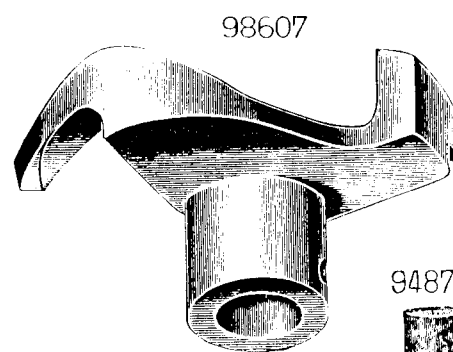
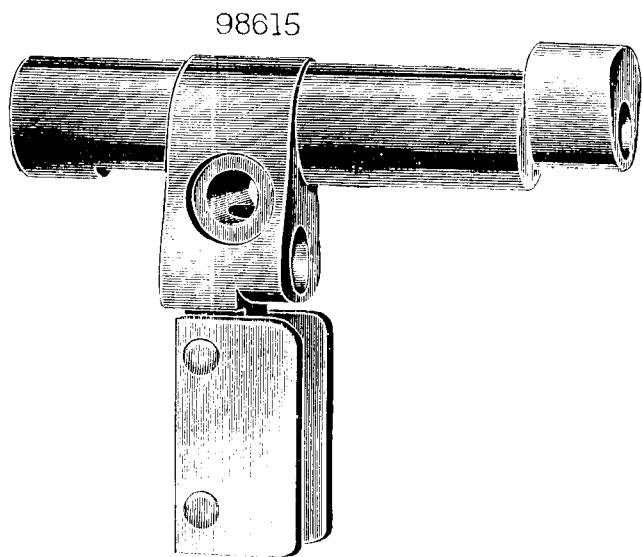
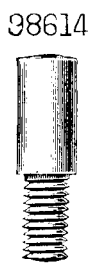
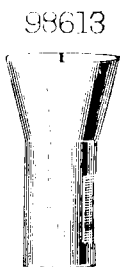
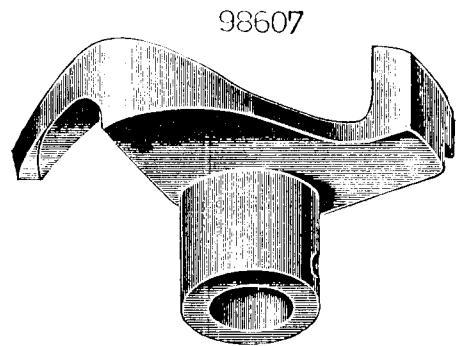


SS377



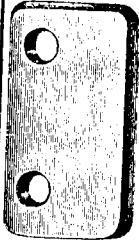
233



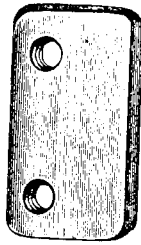




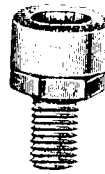
98636



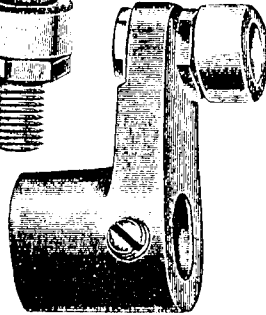
98637



RR62



98635



SS537



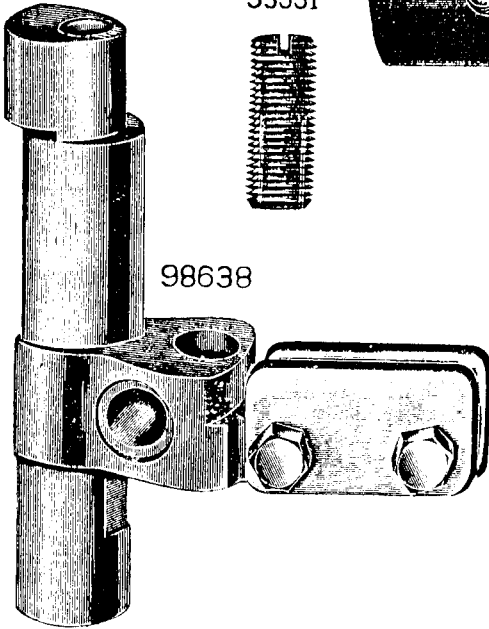
SS531



1698



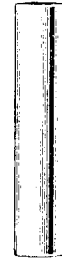
98638



98642



91298



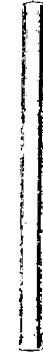
8582



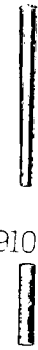
80036



82460



91042



91051



7958



91169



15072



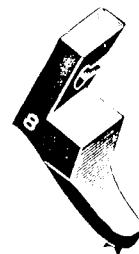
91055



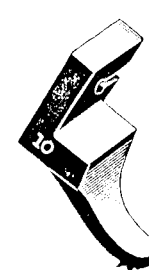
120373



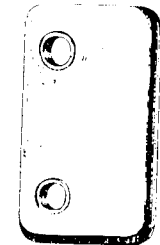
91096

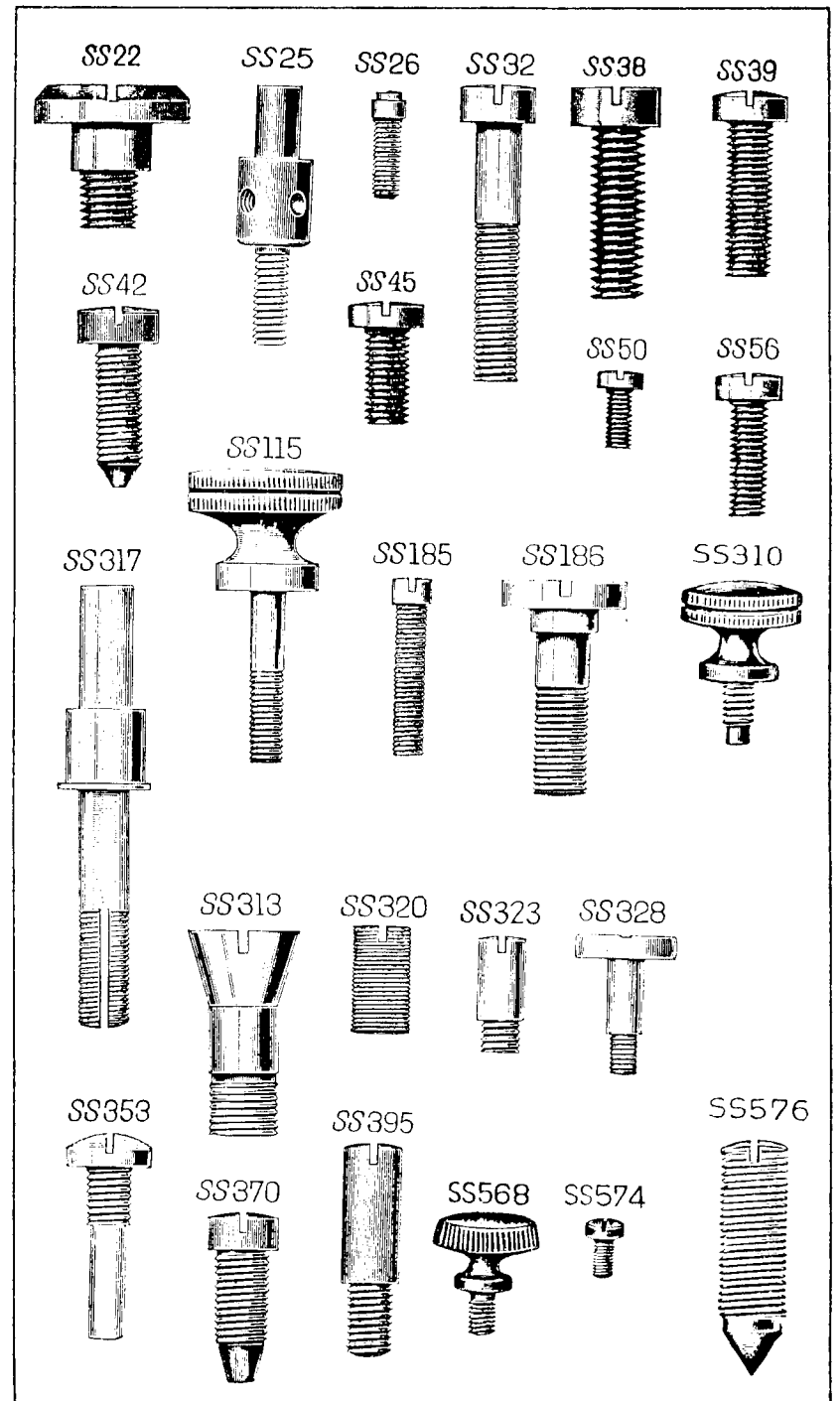
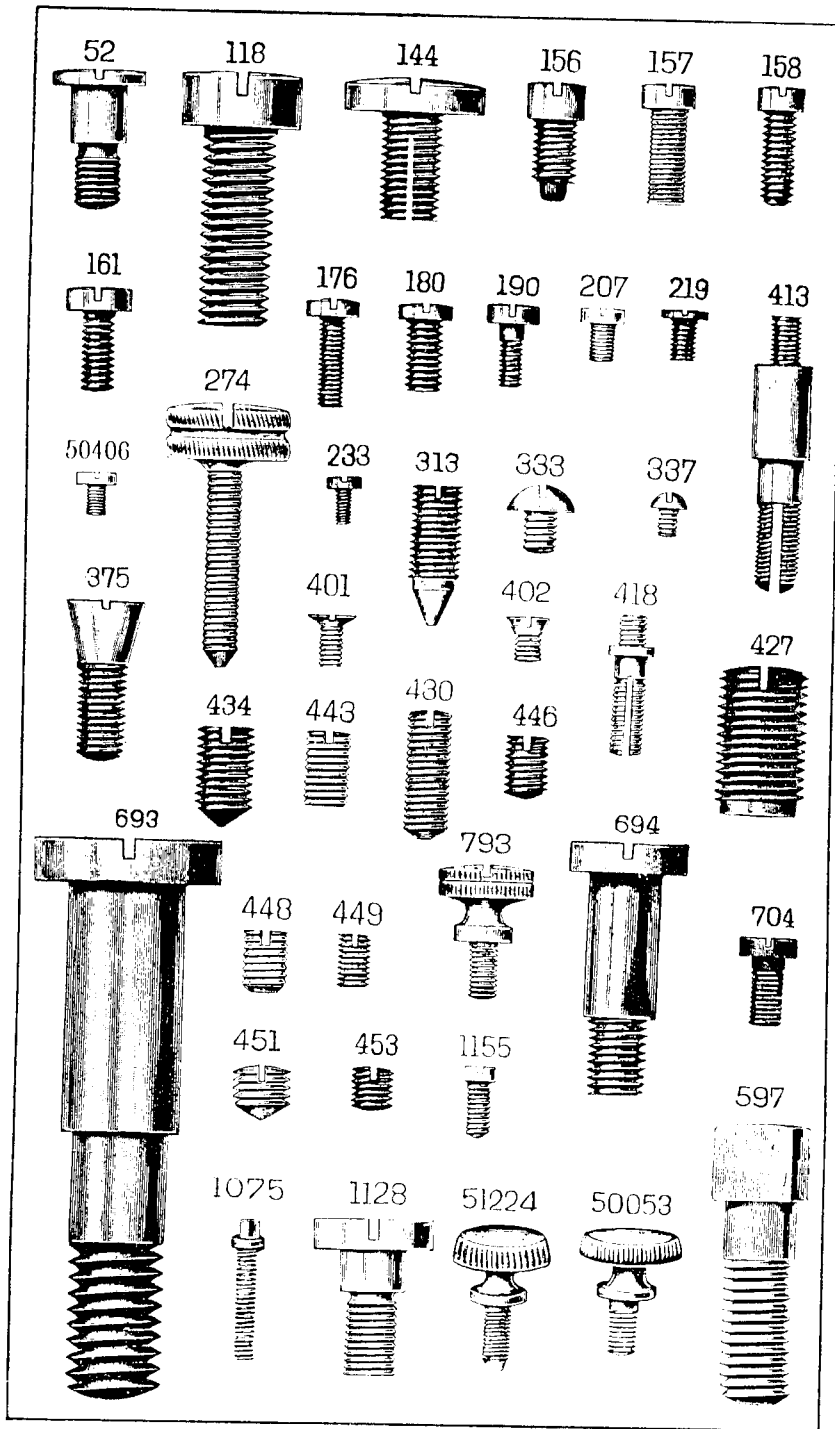


91098



94972

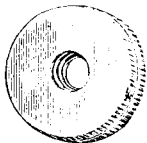




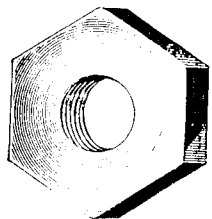
NW8



NW21



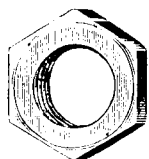
NW28



NW35



1508



1513



1518



1519



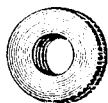
1520



1549



1560



1650



1536



1539



RR41



1809



1850



RR24



32



8627



91715



98664



94806



# INSTRUCTIONS FOR ORDERING

In ordering from this List, the prefix and affix letters with the part number **MUST BE** quoted exactly as they are shown in the first column.

A number always indicates the same part in whatever List it may appear, or for whatever machine.

The affix letters (where shown) indicate the style of finish, as follows:

- A. Hardened, Polished, Nickel Plated and Buffed.
- A.A. Buffed and Chromium Plated.
- A.B. Hardened, Polished, Buffed and Chromium Plated.
- A.C. Brown Baking Enamel Finish.
- A.D. Grey Baking Enamel Finish.
- A.E. Hardened, Bright Rumbled and Nickel Plated.
- A.F. Hardened, Bright Rumbled and Nickel Plated, Bright Rumbled and Chromium Plated.
- A.J. Polished, Nickel Plated and Chromium Plated.
- A.K. Hardened, Polished, Nickel Plated and Chromium Plated.
- A.L. Heat Treated for Toughness.
- B. Polished, Nickel Plated and Buffed.
- C. Hardened only.
- C.R. Hardened and Merlized.
- D. Polished only.
- E. Soft, not Polished.
- F. Hardened and Polished.
- F.J. Hardened, Polished and Nickel Plated.
- G. Bright Rumbled and Nickel Plated.
- H. Blued.
- J. Nickel Plated only.
- K. Hardened and Nickel Plated.
- L. Brass Plated.
- M. Oxidized.
- N. Japanned, Dull.
- P. Japanned, Bright.
- P.P. Wrinkle Finish.
- R. Merlized.
- S. Cadmium Plated.
- T. Copper Plated.
- T.A. Hardened, Polished, Copper and Nickel Plated and Buffed.
- T.B. Copper and Nickel Plated and Polished.
- T.J. Copper and Nickel Plated only.
- T.K. Hardened, Copper and Nickel Plated.
- T.L. Copper and Brass Plated.
- T.M. Copper Plated and Oxidized.
- U. Zinc Plated.
- V. Silver Plated.
- W. Polished and Nickel Plated.
- X. Black Oxide for Iron and Steel.
- X.C. Hardened and Black Oxide for Iron and Steel.
- Y. Black Nickel Plated only.
- Z. Chromium Plated.
- Z.A. Hardened, Polished, Nickel Plated, Buffed and Chromium Plated.
- Z.B. Polished, Nickel Plated, Buffed and Chromium Plated.
- Z.C. Hardened and Chromium Plated.
- Z.D. Polished and Chromium Plated.
- Z.G. Bright Rumbled, Nickel Plated, Bright Rumbled and Chromium Plated.
- Z.J. Nickel and Chromium Plated.
- Z.T. Copper and Chromium Plated.

*Parts marked with an asterisk (\*) are furnished only when the repairs are made at Factory.*

## PARTS COMPLETE

FOR

### No. 45K58 MACHINE

Top Feed, Flat Bed, Vibrating and Climbing Presser, for General Saddlery, Bags, Portmanteaux, Cloth, Canvas Work, etc.

No.	Plate	Description
91702		Arm with 416c, 15404, 82499, 82549 and two 15405 ...
8582	2123	" Dowel Pin (2) ...
118c	2124	" Screw (3) ...
91615	1063	Arm Shaft ...
82499	850	" " Bushing (back) ...
82549	1071	" " " " (front) ...
416c	2124	" " " Set Screw for 82499 ...
82100	851	" " Oil Tube ...
144c	2124	" " Screw ...
82402	847	Arm Side Cover ...
51224d	2124	" " " Thumb Screw ...
82403	851	" Spool Pin ...
82404	1599	Balance Wheel (two speeds) with two 434c ...
91002		" " " " (heavy) with two 434c ...
434c	2124	" " Set Screw ...
		<i>NOTE: No. 82404 is sent with this Machine unless heavy Balance Wheel is specified on order.</i>
91003		Bed ...
98664	2127	Crank Connecting Rod with 94802, 94872 and two 158c ...
94802		" " " Cap ...
94872	1698	" " " " Oil Pad ...
158c	2124	" " " " Screw ...
98627	1740	" " " Hinge Stud ...
98614	1698	" " " " Coffin Pin ...
1668c	1698	" " " " " Nut ...

No.	Plate	
91574	847	<b>Face Plate</b> ... ..
SS45d	2125	" " Screw (to attach to machine) ... ..
91575	—	<b>Face Plate</b> , complete, Nos. SS50f, 233d, 446c, 82449, 82450, 82455, 82502, 82503, 82525, 82551 and 91574 ... ..
91008	862	<b>Feed Bar</b> with 80036 ... ..
94967	853	" " Retaining Spring ... ..
80036	2123	" " " " Pin ... ..
313c	2124	" " Screw Centre (2) ... ..
1519c	2126	" " " " Nut (2) ... ..
3032	850	<b>Feed Cam</b> with 446c ... ..
446c	2124	" " Set Screw ... ..
52165	851	<b>Feed Connecting Link</b> ... ..
375c	2124	" " " " Hinge Screw (2) ... ..
1518c	2126	" " " " " " Nut (2) ... ..
91607	863	<b>Feed Dog</b> ... ..
704c	2124	" " Screw ... ..
91013	862	<b>Feed Forked Connection</b> ... ..
375c	2124	" " " " Hinge Screw ... ..
1518c	2126	" " " " " " Nut ... ..
91014	862	<b>Feed Lifting Rock Shaft</b> ... ..
91334	—	" " " " 91014 with 91335 ... ..
91335	863	" " " " Crank with 1809 and two 157c ... ..
157c	2124	" " " " Crank Clamping Screw ... ..
1809	2126	" " " " " " Roller and Stud ... ..
SS576c	2125	" " " " " " Screw Centre (2) ... ..
1513j	2126	" " " " " " Nut (2) ... ..
91017	863	<b>Feed Regulator</b> ... ..
1428c	2124	" " Hinge Screw ... ..
SS115d	2125	" " Thumb Screw ... ..
91018	862	<b>Feed Rock Shaft</b> with 91169 ... ..
91336	—	" " " " 91018 with 91337 ... ..
91337	863	" " " " Crank with two 157c ... ..
157c	2124	" " " " " " Clamping Screw ... ..
91169	2123	" " " " Retaining Spring Pin ... ..
SS576c	2125	" " " " " " Screw Centre (2) ... ..
1513j	2126	" " " " " " Nut (2) ... ..

No.	Plate	
85527	862	<b>Guide</b> ... ..
793d	2124	" Thumb Screw ... ..
91739	1070	<b>Lifting Presser Plunger</b> ... ..
8575	1070	" " " Position Pin ... ..
RR54	851	" " " Roller ... ..
SS323f	2125	" " " " Screw Stud ... ..
91740	—	<b>Lifting Presser Plunger</b> , complete, Nos. RR54, SS323f and 91739
91580	847	<b>Needle Bar</b> ... ..
91022	851	" " Connection with two 158c ... ..
158c	2124	" " " Clamping Screw ... ..
91240	850	" " " Link ... ..
375c	2124	" " " " Hinge Screw ... ..
1518c	2126	" " " " " " Nut ... ..
82520	853	<b>Needle Glamp</b> ... ..
156f	2124	" " Screw ... ..
82521	853	" " Thread Eyelet ... ..
50406d	2124	" " " " Screw ... ..
82522	—	" " 82520 with 156f, 50406d and 82521 ... ..
98638	2000	<b>Oscillating Rock Shaft</b> with 98636, 98637, two each SS537c and 1698c
98642	2123	" " " " Hinge Pin ... ..
1513j	2126	" " " " " " Nut ... ..
SS531c	2000	" " " " " " Screw Bearing ... ..
1513j	2126	" " " " " " " " Nut ... ..
98636	2000	" " " " Steel Plate (bottom) ... ..
98637	2000	" " " " " " (top) ... ..
SS537c	2000	" " " " " " Binding Screw ... ..
1698c	2000	" " " " " " Binding Screw Lock Nut ... ..
98640	—	<b>Oscillating Rock Shaft</b> , complete, Nos. 1668c, 98614, 98627 and 98638 ... ..
91028	862	<b>Oscillating Shuttle Shaft</b> ... ..
91029	853	" " " Bushing ... ..
SS39c	2125	" " " " " " Set Screw ... ..
91030	863	" " " Collar with 453c ... ..
453c	2124	" " " " " " Set Screw ... ..
98635	2000	<b>Oscillating Shuttle Shaft</b> Crank with RR62, 453c and 1518c
1663	853	" " " " Pin ... ..
RR62	2000	" " " " Roller and Screw Stud ... ..
1518c	2126	" " " " " " " " Nut ... ..
453c	2124	" " " " " " Set Screw ... ..

No.	Plate	
94806	2127	<b>Presser Bar</b> (round) ...
94582	847	" " (flat) with 91169 ...
SS185f	2125	" " ( " ) Adjusting Screw ...
NN35d	2126	" " ( " ) " " Lock Nut ...
52f	2124	" " ( " ) Hinge Screw ...
91583	850	" " ( " ) Locking Plate ...
SS353d	2125	" " ( " ) " " Screw ...
91595	850	" " ( " ) Lower Guide Bracket with 1571 and 91169
157f	2124	" " ( " ) " " Clamping Screw
91169	2123	" " ( " ) " " Retaining Spring Pin
RK41	2126	" " ( " ) " " Roller and Screw Stud
91113	851	" " ( " ) Retaining Spring ...
91169	2123	" " ( " ) " " Pin ...
91164	851	" " Automatic Thread Controller with 448c
448c	2124	" " " " Set Screw
91742	1070	" " Gripping Bracket ...
91743	1070	" " " " Block ...
91744	1070	" " " " Retaining Pin
91745	1070	" " " " Grip Lever ...
<sup>1/50</sup> 430A	2124	" " " " Adjusting Screw
1520r	2126	" " " " " " Nut
91587	851	" " " " Hinge Pin
91746	1070	" " " " Retaining Spring
1650c	2126	" " " " Lock Nut
NN21d	2126	" " " " Thumb
<sup>1/50</sup> 1747		<b>Presser Bar</b> Gripping Bracket, complete, Nos. 430A <sup>1/2</sup> 1520r 91587 and 91742 to 91745 ...
91590	850	<b>Presser Bar</b> Lifter ...
SS186d	2125	" " " Hinge Screw ...
1518e	2126	" " " " Nut
91591	850	" " Lifting Bracket with 443c and 4455c ...
1155c	2124	" " " " Position Screw ...
443c	2124	" " " " Set Screw ...
91697	854	" " " " Tension Release ...
190f	2124	" " " " Binding Screw
91696	854	" " " " Bracket
190f	2124	" " " " Screw
91699		" " " " 91591 with 91696, 91697 and 190f
91594	847	" " " Cam ...
704c	2124	" " " " Screw ...
SS355e	850	" " Screw Bushing ...
91248	854	" " Spring (spiral) ...
8627	2127	" " " (flat) ...

No.	Plate	
91745	2127	<b>Presser Bar</b> Spring (flat) (for use with machine when fitted with Foot Lifter)
1539d	2126	" " " Thumb Lock Nut ...
274d	2124	" " " " Screw ...
91550	854	<b>Presser Foot</b> (plain) with single toe serrated ...
91596	854	" " ( " ) " two toes serrated ...
91548	854	" " with single point and serrated toe to left of needle
50190d		" " Thumb Screw ...
<i>NOTE: No. 91550 is sent with this Machine unless otherwise specified on order.</i>		
91092		<b>Presser Foot</b> Feed Point, 1/8" Square Stitch ...
91093		" " " " 1/8" Twist " ...
91094		" " " " 1/8" Square " ...
91095		" " " " 1/8" Twist " ...
91096	2123	" " " " 1/8" Square " ...
91097		" " " " 1/8" Twist " ...
91098	2123	" " " " 1/10" Square " ...
91099		" " " " 1/10" Twist " ...
91100		" " " " 1/12" Square " ...
91101		" " " " 1/12" Twist " ...
91102		" " " " 1/4" Square Stitch ...
91103		" " " " 1/4" Twist " ...
<i>NOTE: Presser Foot Feed Points may be used with this machine, but are only supplied when specified on order and are charged extra.</i>		
95093	1467	<b>Shuttle Bobbin</b> ...
95094	1467	" Cylinder ...
91042	1694	" " Hinge Pin ...
91043	1694	" " Latch Spring ...
SS574d	2125	" " " " Screw ...
98619	1694	" Frame ...
95095	1467	" Tension Spring ...
SS377f	1467	" " Adjusting Screw ...
98622	1694	<b>Shuttle</b> (Cylinder) 2 1/4" diam., complete, Nos. SS377f, SS574d, 91042, 91043, 95093 to 95095 and 98619 ...
<i>No. 98622 can only be used with No. 98607 and not with old style Shuttle Drivers.</i>		
98607	1698	<b>Shuttle Driver</b> ...
11663	853	" " Pin ...
<i>No. 98607 can only be used with No. 98622 and not with old style Shuttles.</i>		

No.	Plate	
91048	303	<b>Shuttle Guard</b> ... ..
SS568d	2125	" " Thumb Screw ... ..
1549e	2126	" " " " Lock Nut ... ..
91049	---	<b>Shuttle Race</b> with 91051, 91052 and 91055 ... ..
94973	---	" " 91049 with 91054 and two 40H ... ..
SS32f	2125	" " Bearing Clamping Screw ... ..
NA8e	2126	" " " " " Nut ... ..
91050	853	" " Cap ... ..
91051	2123	" " " Pin (short) ... ..
91052	303	" " " (long) ... ..
91053	853	" " " Spring ... ..
41f	303	" " " Screw ... ..
91054	303	" " Loop Spreader ... ..
401f	2124	" " " Screw ... ..
91055	2123	" " Position Pin ... ..
91056	303	<b>Shuttle Race</b> (adjustable), complete, Nos. 41f, SS568d, 1549e, 91048, 91050, 91053 and 94973 ... ..
91057	862	<b>Shuttle Race Slide</b> (back) ... ..
180d	2124	" " " ( " ) Screw (2) ... ..
91058	862	" " " (front) ... ..
91059	862	" " " ( " ) Spring ... ..
337d	2124	" " " ( " ) " Screw ... ..
91060	---	" " " 91058 with 91059 and two 337d ... ..
SS317e	2125	<b>Tension Screw Stud</b> ... ..
1560d	2126	" " " Regulating Thumb Nut ... ..
446e	2124	" " " Set Screw ... ..
82445	854	" " Spring ... ..
82446	854	" " Washer (felt) ... ..
82447	854	" " (steel) ... ..
82448	854	" " Wheel ... ..
82502	---	<b>Tension</b> , complete, Nos. SS317e, 1560d, 82445, 82448, two each, 82446 and 82447 ... ..
82551	1071	<b>Thread Controlling Lever</b> ... ..
82525	851	" " " Spring ... ..
82455	851	" " " Stop Pin ... ..
82450	851	<b>Thread Eyelet</b> ... ..
SS50f	2125	" " " Screw ... ..
82449	851	<b>Thread Guard</b> ... ..
233d	2124	" " " Screw ... ..

No.	Plate	
2102	851	<b>Thread Retainer Disc</b> ... ..
*413e	2124	" " " Screw Stud ... ..
33892	---	" " " " 413e with 1560d ... ..
1560d	2126	" " " " Regulating Thumb Nut ... ..
2103	850	" " " Spring ... ..
82503	---	<b>Thread Retainer</b> , complete, Nos. 2103, 33892 and two 2102 ... ..
91709	---	<b>Thread Take-up Cam</b> with SS320c and SS370e ... ..
SS320c	2125	" " " " Set Screw ... ..
SS370e	2125	" " " " Timing Screw ... ..
91710	1071	" " " " 91709 with 91594 and two 704 ... ..
91505	---	<b>Thread Take-up Lever</b> ... ..
SS22f	2125	" " " " Hinge Screw ... ..
92814	1071	" " " " Roller ... ..
SS328e	2125	" " " " " Screw ... ..
RR24	2126	" " " " " and Screw Stud ... ..
1519e	2126	" " " " " " " Nut ... ..
91507	850	<b>Thread Take-up Lever</b> , complete, Nos. RR24, SS328e, 1519e, 91505 and 92814 ... ..
91609	863	<b>Throat Plate</b> (fine needle hole) for 91607 ... ..
91610	863	" " (coarse needle hole) for 91607 ... ..
180f	2124	" " " Screw (2) ... ..
<i>NOTE. 91610 is sent with this Machine unless otherwise specified on order.</i>		
91796	1063	<b>Oil Box</b> ... ..
82459	1063	" " " Cover ... ..
82460	2123	" " " " Hinge Pin ... ..
80106	1071	" " " " Latch Spring ... ..
219f	2124	" " " " " Screw ... ..
82462	1071	" " " " " Washer ... ..
82463	---	" " " Oil Pad (cloth) ... ..
SS50f	2125	" " " " " Screw ... ..
82462	1071	" " " " " Washer ... ..
SS395f	2125	" " " " Stud Screw ... ..
SS42f	2125	" " " " " Set Screw ... ..
91797	1063	<b>Oil Box</b> , complete, Nos. SS42f, SS50f, 219f, 80106, 82459, 82460, 82463, 91796 and two 82462 ... ..
82550	---	<b>Drip Pan</b> ... ..
15404	---	<b>Trade Mark</b> ... ..
15405	---	" " " Rivet ... ..

## Accessories

No.	Plate	
35093	1467	Bobbin <del>1712</del> <sup>9/24/51</sup> .....
		Instruction Book .....
84118	1072	Machine Button with 84151 and wood screw 1 1/2" No. 9 R.H.B. Needles (6) .....
120312	1600	Oiler .....
86611	1600	Screw Driver (large) .....
120378	2123	" " (small) .....
8908	1072	Wrench .....

## Attachments

### Attachment for Saddlery Work.

No.	Plate	
85749	176	Base .....
85750	176	" Spring .....
85751	176	" " Regulator with SS310d .....
SS310d	2125	" " " Thumb Screw .....
207d	2124	" " " Screw .....
85325		" " " Washer .....
85752	176	Binder only, complete, Nos. 207d, 85325 and 85749 to 85751 .....
85822	176	Combination Guide .....
85823	176	" " " Base .....
161d	2124	" " " Screw .....
85514		" " " " Washer .....
85824	176	Combination Guide, complete, Nos. 161d, 85514, 85822 and 85823 .....
85535	176	Presser Foot .....
85829	176	Saddlery Attachment, complete, Nos. 85535, 85752 and 85824 .....

### Binder (adjustable) for Horse Rugs.

No.	Plate	
86209	864	Base and Folder with SS25d .....
86210	864	" Guide Wire .....
50053d	2124	" " " Thumb Screw .....
SS25d	2125	" Screw Stud .....
86211	864	Guide (top) .....
AX19d	864	" Thumb Nut .....



No.	Plate	
85514	---	Guide Thumb Nut Washer
86212	864	Binder only, complete, Nos. NN19d, 50053d, 85514 and 86209 to 86211
86279	864	Presser Foot
86290	864	Binder, complete, Nos. 86212 and 86279

**Binder (adjustable) for Leather and Motor Car Hood Binding.**

No.	Plate	
86202	860	Base
86203	860	Guide (top)
86204	---	" (bottom) with 1075e
1075e	2124	" ( " ) Screw Stud
1536d	2126	" Regulating Thumb Nut
86205	860	Binder only, complete, Nos. 1536d and 86202 to 86204
91552	860	Presser Foot
86284	860	Binder, complete, Nos. 86205 and 91552

**Welting Attachment (adjustable) for Carriage Cushions.**

No.	Plate	
86214	859	Welter Base Guide
86215	859	" Braid Guide with SS26e
207d	2124	" " " Screw
85325	---	" " " Washer
SS26e	2125	" " " Stud
NN44d	859	" " " Thumb Nut
86216	859	" Cord Guide
449c	2124	" " " Set Screw
86217	859	Welter only, complete, Nos. NN44d, 207d, 449c, 85325 and 86214 to 86216
86144	859	Presser Foot (Grooved for Cord)
86285	859	Welting Attachment, complete, Nos. 86144 and 86217

**Welting Attachment for Leather Bags, Portmanteaux, etc.**

No.	Plate	
86286	859	Welt Guide
86287	859	" " Base
703d	859	" " Thumb Screw
91547	859	Presser Foot
86288	859	Welting Attachment, complete, Nos. 86286, 86287, 91547 and two 703d

**Welting Attachment for Heavy Boots.**

No.	Plate	
91552	860	Presser Foot
86135	860	Guide (plain)
86127	860	Welt Guide
86289	860	Welting Attachment, complete, Nos. 86127, 86135 and 91552

**Bobbin Winders**

**Bobbin Winder (friction) for Fast Wheel Machine.**

No.	Plate	
82527	838	Bracket
SS56d	2125	" Screw
82528	838	Frame
32d	2126	" Hinge Screw
5960	1072	Friction Wheel (leather)
5961	1072	" " Washer
333r	2124	" " " Screw
91446	838	Spindle with 15072
15072	2123	" Bobbin Position Pin
5963	1072	" Flange
91447	838	Frame, complete, Nos. 333r, 5960, 5961, 5963, 82528 and 91446
82537	838	Spring
161d	2124	" Screw
82538	838	" " Washer
91448	---	Bobbin Winder, complete, Nos. 32d, 161d, 82527, 82537, 82538 and 91447

*NOTE: No. 91448 is supplied with machine unless otherwise specified on order.*

**Bobbin Winder (friction) for Machine with Driving Attachment.**

This Bobbin Winder is the same as No. 91448 with the following exceptions:

No.	Plate	
91476	838	Bracket
91477	---	Bobbin Winder, complete, Nos. 32d, 161d, 82537, 82538, 91447 and 91476

**Bobbin Winder (Swinging Automatic, Right Hand) for 95093.**

No.	Plate	
27540	1487	Base ... ..
		" Screw (wood) 1" No. 7 R.H. ... ..
27302	1487	Frame ... ..
50356b	1487	" Hinge Screw ... ..
1620j	1487	" " " Nut ... ..
27303	1487	" Spring ... ..
27541	1487	Pulley ... ..
98673	1487	Spindle with 15072 ... ..
15072	2123	" Bobbin Position Pin ... ..
27306	1488	Spool Pin ... ..
27307	1488	" Stand ... ..
27308		" " 27307 with 418d, 1562j, 2106, 10141, 27306, two each 2455 and wood screws 1" No. 10 ... ..
<p><i>As No. 27308 can be supplied either Plated or Japanned, it is necessary, when ordering, to state which is required.</i></p>		
95197	1487	Stop Latch ... ..
35d	1487	" " Hinge Screw ... ..
2455	1071	Tension Disc ... ..
1562j	1488	" Regulating Thumb Nut ... ..
418d	1488	" Screw Stud ... ..
10141	1071	" Spring ... ..
2106	1071	Thread Guide ... ..
95198	1488	Bobbin Winder, Nos. 35d, 1620j, 27302, 27303, 27540, 27541, 50356b, 95197, 98673 and two wood screws 1" No. 7 R.H. ... ..
95199		Bobbin Winder, complete, Nos. 27308 and 95198 ... ..

## Foot Lifter

No.	Plate	
91716	1063	Arm Lever ... ..
694d	2124	" " Hinge Screw ... ..
91457	755	Foot Lever with 176c ... ..
91459	755	" " Bracket ... ..
17881	755	" " " Hinge Pin ... ..
		" " " Screw (wood) 1" No. 12 ... ..
91458	755	" " Extension ... ..
176c	2124	" " " Set Screw ... ..
98626	755	" " Spring ... ..
91451		Foot Lever only, complete, Nos. 17881, 91457 to 91459, 98626 and two wood screws 1" No. 12 ... ..
17877	755	Foot Lever Pitman Rod (lower) ... ..
17878	755	" " " " (upper) ... ..
17879	755	" " " " Clamp with two 161d ... ..
161d	2124	" " " " Screw ... ..
17880	755	Foot Lever Pitman Rod, complete, Nos. 17877 to 17879 ... ..
91453	755	Foot Lever Pitman Connecting Hook (7" long) ... ..
91455		" " complete, Nos. 17880 and 91451 ... ..
91456		" Lifter, complete, Nos. 694d, 91453, 91455 and 91716 ... ..

## Driving Attachment

No.	Plate		
91473	1599	Balance Wheel with 434c, 454c, 91175 and four 402c	
91474	1599	" " Friction Pulley (two speeds) with 418c and	91294
91294	1599	" " " " Centre Bearing	
91475	1599	" " " " Ring (cardboard)	
402c	2124	" " " " " Screw	
418c	2124	" " " " " Set Screw	
434c	2124	" " " " " Set Screw (long)	
454c	2124	" " " " " (short)	
91296	755	Starting Lever	
91297	755	" " Bracket	
91298	2123	" " " " Hinge Pin	
		" " " " " Screw (wood) 1 1/2" No. 15	
91299	755	" " " " Nos. 91296 to 91298 and three wood screws 1 1/2" No. 15	
17877	755	" " Pitman Rod (lower)	
17878	755	" " " " (upper)	
17879	755	" " " " Clamp with two 161d	
161d	2124	" " " " " " Screw	
17880	755	Starting Lever Pitman Rod, complete, Nos. 17877 to 17879	
91460		Starting Lever and Pitman, complete, Nos. 17880 and 91299	
84275		Shaft Pulley (sectional, grooved), 10" diam., with two 597c	
597c	2124	" " " " Clamping Screw	
91301	1599	Lever with 7958 and 91306	
91302	1599	" " Bracket	
SS38c	2125	" " " " " " Screw	
91303	1599	" " Centre Plug (wood)	
427c	2124	" " " " " " Adjusting Screw	
4508c	2126	" " " " " " Nut	
91306		" " Friction Pad (leather)	
693d	2124	" " Hinge Screw	
NN28c	2126	" " " " " " Nut	
91307	1599	" " Spring	
161d	2124	" " " " " " Screw	
7958	2123	" " " " " " Pin	
91309		Lever, complete, Nos. NN28c, 161d, 427c, 693d, 4508c, 91301 to 91303, 91307 and two SS38c	
91478		Driving Attachment, complete, Nos. 84275, 91309, 91460, 91473 and 91474	

## Obsolete Parts

No.	Plate		
91408	847	Arm Shaft	
82399	847	" " " " Bushing (front)	
91317	847	Crank Connecting Rod with 91005, 91872 and two 158c (for use with Hinge Screw SS313c)	
*91005		" " " " " Cap	
SS313c	2125	" " " " " Hinge Screw	
SS45d	2125	" " " " " " Set Screw	
98613	1698	" " " " " Stud	
91577	851	Lifting Presser Plunger	
91579		" " " " " " complete, Nos. R651, SS323b and 91577	
91439	853	Oscillating Rock Shaft with 91025, 91972 and two 91026	
98615	1698	" " " " " " 91025, 91972 and two 91026	
98628	1740	" " " " " " 91025, 91972 and two 91026	
91025	1070	" " " " " " Steel Plate (bottom)	
91972	2123	" " " " " " " (top)	
91026	1070	" " " " " " " Rivet	
91031	863	" " Shuttle Shaft Crank with 453c and 1850	
1850	2126	" " " " " " Roller and Stud	
91581	851	Presser Bar Gripping Bracket	
91585	851	" " " " " " Grip Collar	
91586	851	" " " " " " " Lever	
91692		" " " " " " 91581 with 575c, 4520c, 91586 and 91587	
91588	851	" " " " " " Grip Retaining Spring	
91592	850	" " " " " " Lifting Bracket Tension Release	
91593		" " " " " " 91591 with 91592 and two 190c	
82430	851	" " " " " " Spring	
95089	1260	Shuttle Cylinder	
95081	1260	" " " " " " Latch Spring	
2331	2124	" " " " " " " Screw	
95082	1260	" " " " " " Frame	
95083	1260	" " " " " " Tension Spring	
95186	1467	Shuttle Frame	
95096	1467	Shuttle (Cylinder) 2 1/2" diam., complete, Nos. 2331, SS3771, 91042, 91043, 95093 to 95095 and 95186	
91047		Shuttle Driver	
91597	853	" " " " " " " " "	

NOTE: The above Shuttle, Shuttle parts and Shuttle Drivers are not interchangeable with the new style parts, and No. 95096 must be used in conjunction with No. 91597.

## OBSOLETE PARTS

No.	Plate				
82543	851	Thread Controlling Lever	...	...	...
91599		Thread Take-up Cam with SS320c and 1063c	...	...	...
91600	847	" " " 91599 with 91594 and two 704c	...	...	...