

Form 19288
(1039)
Printed in U. S. A.

LIST OF PARTS



MACHINE No. 95-82

THE SINGER MANUFACTURING COMPANY

INSTRUCTIONS FOR OILING

Use only Singer "Oil For High Speed Sewing Machines (Cloth and Leather)" for general use, or "Stainless Oil For High Speed Sewing Machines" where a stainless oil is desired.

Oil should be applied to all oil holes and bearings of the machine at least four times a day. Keep all wicking saturated with oil.

The upper and lower gears of the upright arm shaft should be greased with Singer Gear Lubricant every 160 hours of operation, using an Alemite-Zerk grease gun as instructed in Form 19165.

INDEX

	Page
Accessories.....	14
Bobbin Winders.....	14
Finger Guard.....	17
Foot Lifter Parts.....	17
Knife Grinder.....	19
Knee Lifter Parts.....	18
Machine Base.....	14
Machine No. 95-82.....	5
Numerical List of Parts.....	21
Thread Unwinder.....	20

Copyright, U. S. A., 1938 and 1939

by The Singer Manufacturing Co.

All Rights Reserved for all Countries

INSTRUCTIONS FOR ORDERING

5

In ordering from this list, use ONLY the part NUMBER in the FIRST column.

The number stamped on a Sewing Machine Part is in every case the number of the single part only.

Every combination of parts sent out as such has its specific number, which, although not stamped on the parts, must be used when ordering the combination.

Each number always indicates the SAME PART in whatever list it appears, or for whatever machine.

The letters after some of the numbers indicate the style of finish only, as follows:

- A-Hardened, Polished, Nickel Plated and Buffed
- A.A-Buffed and Chromium Plated
- A.B-Hardened, Polished, Buffed and Chromium Plated
- B-Polished, Nickel Plated and Buffed
- C-Hardened Only
- C.R-Hardened and Merlized
- D-Polished Only
- E-Soft, Not Polished
- F-Hardened and Polished
- F.J-Hardened, Polished and Nickel Plated
- G-Bright Rumbled and Nickel Plated
- H-Blued
- J-Nickel Plated Only
- K-Hardened and Nickel Plated
- L-Brass Plated
- M-Oxidized
- N-Japanned, Dull
- P-Japanned, Bright
- P.P-Wrinkle Finish
- R-Merlized
- S-Cadmium Plated
- T-Copper Plated
- T.A-Hardened, Polished, Copper and Nickel Plated and Buffed
- T.B-Copper and Nickel Plated and Polished
- T.J-Copper and Nickel Plated Only
- T.K-Hardened, Copper and Nickel Plated
- T.L-Copper and Brass Plated
- T.M-Copper Plated and Oxidized
- U-Zinc Plated
- V-Silver Plated
- W-Polished and Nickel Plated
- X-Black Oxide, for Iron and Steel
- X.C-Hardened and Black Oxide, for Iron or Steel
- Y-Black Nickel Plated Only
- Z-Chromium Plated
- Z.A-Hardened, Polished, Nickel Plated, Buffed and Chromium Plated
- Z.B-Polished, Nickel Plated, Buffed and Chromium Plated
- Z.C-Hardened and Chromium Plated
- Z.D-Polished and Chromium Plated
- Z.G-Bright Rumbled, Nickel Plated, Bright Rumbled and Chromium Plated
- Z.J-Nickel and Chromium Plated
- Z.T-Copper and Chromium Plated

These letters MUST BE USED when they appear in the list; and AFTER the number as in the list.

In this series:

- 1 to 1500, 50001 to 51500 and 140001 to 142000 are Screw Numbers
- 1501 to 1800 and 51501 to 51800 are Nut Numbers
- 1801 to 2000 and 51801 to 52000 are Roller Numbers
- 2001 to 50000 and 52001 to 140000 and 142001 to 190000 are Sewing Machine Parts, 190001 and upward are numbers of Electrical Parts.

The figures in the second column refer only to the plates, illustrating the parts, and are NOT TO BE USED in ordering.

Parts marked with an asterisk (*) are furnished only when repairs are made at factory.

LIST OF PARTS COMPLETE FOR



MACHINE No. 95-82

For Light and Medium Weight Fabrics. The machine is fitted with heavy gear shafts and the plain bearings for the arm shaft. The gears are lubricated with grease instead of oil. The grease is applied with Alemite Zerk hand pressure gun. Drop feed. Has vertical trimmer, trims from $\frac{1}{16}$ to $\frac{1}{4}$ inch from the line of stitching. The machine is fitted with $\frac{1}{8}$ inch Cutting Bar unless otherwise ordered and one extra $\frac{3}{16}$ inch Cutting Bar and Presser Foot are also furnished. When a different width is ordered, the extra Cutting Bar will be one size larger, except when $\frac{1}{4}$ inch is required. Needle Bar Stroke: $1\frac{9}{64}$ inches. Presser Bar Lift: $\frac{7}{32}$ inch. Maximum length of stitch, seven to the inch. Speed up to 3500 R. P. M. according to the material being stitched.

No.	Plate	Name
*52300	-----	Arm with 15404 and two each 15405 and 56015.....
Note: Due to the accuracy required for gear alignment, Arm cannot be supplied separately and can only be sent out as a unit, Arm and Bed assembled.		
16532	22999	Arm Dowel Pin.....
52254	22999	" Oil Tube for oiling 52262.....
52182	22999	" " " with 52184, for oiling 127231
52183	22999	" " " " 52184, for oiling 52024 and 127156, for 127193 and 150460....

PARTS FOR MACHINE No. 95-82

No.	Plate	Name
52180	22999	Arm Oil Tube (long) with 52184, for oiling 52022.....
52185	22999	Arm Oil Tube (short) with 42367, for oiling 52022.....
127187	22999	Arm Oil Tube (bent) with 42367, for oiling 127152, for 127193 and 150460...
56015	22999	Arm Oil Tube, for oiling 142006.....
11119	22999	" " " with 52045, for oiling 52113
42367	22999	" " " Packing (braided cotton) for 52185 and 127187.....
52045	22999	Arm Oil Tube Packing (wick) for 11119...
52184	22999	" " " " " " 52180, 52182 and 52183.....
52290	22999	Arm Oil Tube Plug.....
116E	22999	" Screw (back).....
854E	22999	" " (front).....
142001	21888	" Shaft (horizontal).....
142002	-----	" " " 142001 with 52113, 52196 and 52229.....
54897	22999	Arm Shaft (horizontal) Back Bearing Oil Cup.....
127072	21888	Arm Shaft (horizontal) Bevel Gear with two 1036C.....
142003	21888	Arm Shaft (horizontal) Bevel Gear Case (two pieces) with 51068R, 140184E and 142005.....
142005	21888	Arm Shaft (horizontal) Bevel Gear Case Alemite Fitting.....
140184E	21888	Arm Shaft (horizontal) Bevel Gear Case Plug Screw.....
51068R	21888	Arm Shaft (horizontal) Bevel Gear Case Screw.....
1036C	21888	Arm Shaft (horizontal) Bevel Gear Set Screw.....
52260	21888	Arm Shaft (horizontal) Flanged Bushing (back) with 52193 and 52289.....
52193	21888	Arm Shaft (horizontal) Flanged Bushing (back) Oil Pad (inside) braided cotton.....
52289	21888	Arm Shaft (horizontal) Flanged Bushing (back) Oil Pad (outside) felt.....
448C	21888	Arm Shaft (horizontal) Flanged Bushing (back) Set Screw.....
52196	21888	Arm Shaft (horizontal) Flanged Bushing (front) with 52193 and 52198.....
52193	21888	Arm Shaft (horizontal) Flanged Bushing (front) Oil Pad (inside) braided cotton.....
52198	21888	Arm Shaft (horizontal) Flanged Bushing (front) Oil Pad (outside) felt.....

PARTS FOR MACHINE No. 95-82

No.	Plate	Name
435C	21888	Arm Shaft (horizontal) Flanged Bushing (front) Set Screw.....
68350	22999	Arm Shaft (horizontal) Front Bearing Oil Cup.....
52262	21888	Arm Shaft (horizontal) Intermediate Bushing with 52193 and 52263.....
52193	21888	Arm Shaft (horizontal) Intermediate Bushing Oil Pad (inside) braided cotton.....
52263	21888	Arm Shaft (horizontal) Intermediate Bushing Oil Pad (outside) felt.....
423C	21888	Arm Shaft (horizontal) Intermediate Bushing Set Screw.....
144D	21888	Arm Shaft (horizontal) Screw.....
142006	21888	" " (upright).....
52281	21888	" " " Bevel Gear (lower) with two 1259C.....
1259C	21888	Arm Shaft (upright) Bevel Gear (lower) Set Screw.....
52282	21888	Arm Shaft (upright) Bevel Gear (upper) with two 1259C.....
1259C	21888	Arm Shaft (upright) Bevel Gear (upper) Set Screw.....
52276	21888	Arm Shaft (upright) Bushing (lower) with 52279 and 52280.....
432C	21888	Arm Shaft (upright) Bushing (lower) Set Screw.....
52278	21888	Arm Shaft (upright) Bushing (upper) with 52279 and 52280.....
443C	21888	Arm Shaft (upright) Bushing (upper) Set Screw.....
52280	21888	Arm Shaft (upright) Bushing Oil Pad (outside) felt.....
52279	21888	Arm Shaft (upright) Bushing Oil Wick (inside) braided cotton.....
127079	22999	Arm Side Cover.....
50053W	22999	" " " Thumb Screw.....
52239	22999	" Spool Pin and Thread Eyelet.....
8879	22999	" " " Washer (cloth).....
127192	22999	" Top Cover.....
127193	-----	" " " 127192 with 52183, 52239, 127187 and 127255.....
127255	22999	Arm Top Cover Positioning Disc.....
158J	22999	" " " Screw.....
52176	21888	Balance Wheel (power, disc) 2 3/16 in. pulley, with two 448C.....
448C	21888	Balance Wheel Set Screw.....
*52283	-----	Bed.....

Note: Due to the accuracy required for gear alignment, Bed cannot be supplied separately and can only be sent out as a unit, Arm and Bed assembled.

No.	Plate	Name
12431	21882	Bed Slide.....
4307	21882	" " Spring.....
725J	21882	" " " Screw.....
12432	21882	Bed Slide complete, Nos. 4307, 12431 and two 725J.....
52102	21882	Face Plate.....
52053	21882	" " Thread Guard (lower).....
226J	21882	" " " " " Screw...
52170	21882	" " " " (upper).....
226J	21882	" " " " " Screw...
52103	-----	Face Plate complete, Nos. 52053, 52102, 52170 and two 226J.....
176J	21882	Face Plate Screw.....
52452	21889	Feed Bar.....
313C	21889	" " Screw Center.....
56813	-----	" " " " 313C with 1519J...
1519J	21889	" " " " Nut.....
52165	21888	" Connecting Link.....
375C	21888	" " " Hinge Screw.....
1518J	21888	" " " " " Nut....
52073	21888	" " " " Stud.....
50083C	21888	" " " " " Set Screw
52126	21882	" Dog, 12 teeth (16 teeth to the inch) for 52128 and 52132.....
50117E	21882	Feed Dog Screw.....
52230	21888	" and Feed Lifting Eccentric with 448C, 52210 and 52211.....
52232	-----	Feed and Feed Lifting Eccentric 52230 with 127152.....
52210	-----	Feed and Feed Lifting Eccentric Lubricating Pad (long) wood.....
52211	-----	Feed and Feed Lifting Eccentric Lubricating Pad (short) wood.....
448C	21888	Feed and Feed Lifting Eccentric Set Screw.....
127152	21888	Feed and Feed Lifting Eccentric Sleeve..
24037	21888	" Forked Connection.....
52085	-----	" " " 24037 with 375C, 1518J and 52165.....
375C	21888	Feed Forked Connection Hinge Screw.....
1518J	21888	" " " " " Nut..
52065	21889	" Lifting Rock Shaft.....
52264	-----	Feed Lifting Rock Shaft complete, Nos. 52065 and 52265.....
127156	21888	Feed Lifting Rock Shaft Connecting Rod with two 966E.....
966E	21888	Feed Lifting Rock Shaft Connecting Rod Cap Screw.....
375C	21888	Feed Lifting Rock Shaft Connecting Rod Hinge Screw.....

No.	Plate	Name
1518J	21888	Feed Lifting Rock Shaft Connecting Rod Hinge Screw Nut.....
52265	21889	Feed Lifting Rock Shaft Crank with 157J and 52267.....
157J	21889	Feed Lifting Rock Shaft Crank Clamping Screw.....
52267	21889	Feed Lifting Rock Shaft Crank Slide Block.....
50191C	21889	Feed Lifting Rock Shaft Screw Center....
52097	-----	" " " " " " 50191C with 1513J.....
1513J	21889	Feed Lifting Rock Shaft Screw Center Nut
52074	21888	" Regulator with 50083C.....
52118	-----	" " 52074 with 52073.....
1128E	21888	" " Hinge Screw.....
818W	21888	" " Thumb Screw.....
52359	21888	" " " " Stop.....
Note: No. 52359 is not regularly furnished unless specified on order.		
52068	21889	Feed Rock Shaft.....
52069	-----	Feed Rock Shaft complete, Nos. 29633 and 52068.....
29633	21889	Feed Rock Shaft Crank with 157J.....
157J	21889	" " " Clamping Screw....
50191C	21889	" " " Screw Center.....
52097	-----	" " " " " 50191C with 1513J.....
1513J	21889	Feed Rock Shaft Screw Center Nut.....
5726	21885	Knife (narrow).....
Note: Two No. 5726 are sent with each machine.		
620C	21885	Knife Adjusting Screw.....
52104	21885	" Bar with 2301.....
24431	21885	" " Crank with 191C.....
1162C	21885	" " " Coupling Pin.....
1564D	21885	" " " " Head.....
2297	21885	" " " " Spring....
2022	21885	" " " Pin.....
191C	21885	" " " Set Screw.....
24432	-----	Knife Bar Crank complete, Nos. 1162C, 1564D, 2297 and 24431.....
52105	21885	Knife Bar Driving Crank (forked).....
16564	21885	" " " Bracket.....
52106	21885	Knife Bar Driving Crank Bracket complete, Nos. 2022, 16564, 24432 and 52105.....
647C	21885	Knife Bar Driving Crank Bracket Screw...
24122	21885	" " Lifting Spring.....
24123	21885	" " " " Case.....
24906	21885	" " " " Guide with 2523
621J	21885	" " " " Bracket Screw.....

PARTS FOR MACHINE No. 95-82

No.	Plate	Name
2523	21885	Knife Bar Lifting Spring Guide Pin.....
2301	21885	" " Stop Pin.....
52107	-----	Knife Bar complete, Nos. 621J, 24109, 24906, 52104, 52108 and three 50117E..
52108	21885	Knife Holder with 620C, 2291 and two 223J.....
24109	21885	Knife Holder Handle.....
50117E	21885	" " " Screw.....
50117E	21885	" " " Screw.....
223J	21885	" " " Screw.....
2291	21885	" " " Washer.....
52168	21890	Needle Bar (hollow) with 140239H.....
52169	-----	" " 52168 with 127136.....
127279	21890	" " Bushing (lower).....
1133E	21890	" " " " Set Screw....
52111	21890	" " " " (upper).....
1133E	21890	" " " " Set Screw....
127231	21890	" " Connecting Link with 52207...
127232	-----	" " " " 127231 with 24041.....
775E	21890	Needle Bar Connecting Link Cap Screw....
52207	21890	" " " " Lubricating Pad (wood).....
24041	21890	Needle Bar Connecting Stud with 207E....
207E	21890	" " " " Clamping Screw.....
52229	21888	Needle Bar Crank (eccentric) with 1036C, 1037C and 1065C.....
52113	21888	Needle Bar Crank (eccentric) Sleeve.....
1065C	21888	" " " Position Screw.....
127136	21890	" " Thread Guide.....
140239H	21890	" Set Screw.....
127191	22999	Oil Tube with 52184.....
127091	22999	" " Bracket.....
127092	22999	" " " 127091 with 127191, for oiling 52165.....
52184	22999	Oil Tube Packing (wick).....
12391	21890	Presser Bar (hollow).....
52338	21890	" " Guide Bracket with 223C and 453C.....
453C	21890	Presser Bar Guide Bracket Set Screw....
52016	21890	" " Lifter.....
689C	21890	" " " Screw.....
1520J	21890	" " " Nut.....
12327	21890	" " Lifting and Releasing Lever Bracket.....
11167	21890	Presser Bar Spring.....
11170	21890	" " " Washer.....
24722	21890	Presser Foot for 1/32 in. to 11/64 in. gauges.....

PARTS FOR MACHINE No. 95-82

No.	Plate	Name
19392	21890	Presser Foot for 3/16 in. gauge and above.....
Note: No. 24722, 1/8 in. gauge and No. 19392, 3/16 in. gauge, are sent with this machine unless other gauges are specified on order.		
176J	21890	Presser Foot Screw.....
50373W	21890	Pressure Regulating Thumb Screw.....
127095	21890	Rotating Hook with three 1253C.....
127096	21890	" " 127095 with 127102 and four 1053E.....
*127239	-----	Rotating Hook 127096 with 40274, 127242 and three 1367E.....
127097	-----	Rotating Hook 127096 with 40274 and three 1367E (For agents only)....
127240	21890	Rotating Hook 127239 with 52237.....
40264	21890	" " Bobbin.....
52235	21890	" " " Case.....
52236	-----	" " " " 52235 with 591F, 1380E and 40394.....
40392	21890	Rotating Hook Bobbin Case Latch.....
125320	21890	" " " " Lever...
2974	21890	" " " " " Ful- crum Pin.....
2975	21890	Rotating Hook Bobbin Case Latch Spring..
592E	21890	" " " " Stop Screw
40393	-----	" " " " Hinge, Nos. 2974, 40392 and 125320.....
591F	21890	Rotating Hook Bobbin Case Tension Regu- lating Screw.....
40394	21890	Rotating Hook Bobbin Case Tension Spring
1380E	21890	" " " " " "
52237	21890	Screw.....
52237	21890	Rotating Hook Bobbin Case complete, Nos. 592E, 2975, 40393 and 52236.....
127241	-----	Rotating Hook Bobbin Case 52237 with 127242.....
127242	21890	Rotating Hook Bobbin Case Holder.....
52018	21889	" " " " Position Bracket.....
704J	21889	Rotating Hook Bobbin Case Holder Posi- tion Bracket Screw.....
40274	21890	Rotating Hook Section.....
1367E	21890	" " " Screw.....
1253C	21890	" " Set Screw.....
142007	21889	" " Shaft.....
127073	21889	" " " Bevel Gear with two 1259C.....
142004	21889	Rotating Hook Shaft Bevel Gear Case (two pieces) with 51068R, 140184E and 142005.....

No.	Plate	Name
142005	21889	Rotating Hook Shaft Bevel Gear Case Alemite Fitting.....
140164E	21889	Rotating Hook Shaft Bevel Gear Case Oil Plug Screw.....
51068R	21889	Rotating Hook Shaft Bevel Gear Case Screw.....
1259C	21889	Rotating Hook Shaft Bevel Gear Set Screw
52286	21889	" " " Bushing (back) with 52279 and 52280.....
1143C	21889	Rotating Hook Shaft Bushing (back) Set Screw.....
52288	21889	Rotating Hook Shaft Bushing (front) with 52279 and 52280.....
142008	21889	Rotating Hook Shaft Bushing (front) Oil Cup.....
1148C	21889	Rotating Hook Shaft Bushing (front) Set Screw.....
52280	21889	Rotating Hook Shaft Bushing Oil Pad (outside) felt.....
52279	21889	Rotating Hook Shaft Bushing Oil Wick (inside) braided cotton.....
127102	21890	Rotating Hook Thread Guard.....
1053E	21890	" " " " Screw.....
52115	21890	Slack Thread Regulator.....
223C	21890	" " " " Set Screw.....
2102	21882	Tension Disc.....
1560C	21882	" Regulating Thumb Nut.....
32572	21882	" Releasing Disc.....
43944	21882	" " " Lever.....
12398	21882	" " " Hinge Pin.....
12329	21882	" " " Spring.....
32574	21882	" " " Pin.....
13710	21882	" Spring.....
50304C	21882	" Stud.....
52098	-----	" " 50304C with 1560C.....
50305C	21882	" " Set Screw.....
52092	21882	Tension complete, Nos.13710,32572,32574, 52082, 52083, 52098 and two 2102....
52027	21882	Thread Guard (side of arm).....
52454	21882	" Retainer.....
624C	21882	" " Set Screw.....
127280	-----	Thread Take-up complete, Nos.11204,52025 and 127281.....
52021	21890	Thread Take-up Crank.....
127281	-----	" " " 52021 with 775E and 127232.....
1037C	21888	Thread Take-up Crank Position Screw.....
1036C	21888	" " " Set Screw.....
52022	21890	" " Lever with 52130.....
52023	21890	" " " Hinge Pin.....

No.	Plate	Name
52024	21890	Thread Take-up Lever Link.....
11204	21890	" " " " Hinge Pin.....
435C	21890	" " " " " " Set Screw.....
52130	21890	Thread Take-up Lever Thread Eyelet Bush- ing.....
52025	-----	Thread Take-up Lever complete, Nos.52022 to 52024.....
52082	21882	Thread Take-up Spring.....
52083	21882	" " " Regulator with 50305C.....
448C	21882	Thread Take-up Spring Regulator Set Screw.....
52127	21882	Throat Plate Body.....
142032	21882	" " Cutting Bar for 52128.....
Note: No. 142032, 3/16 in. gauge, is sent with this machine unless another gauge is specified on order.		
52131	-----	Throat Plate Cutting Bar for 52132.....
Note: When ordering No. 52131 or 142032, state re- quired distance of trimmed edge from seam.		
578D	21882	Throat Plate Cutting Bar Screw.....
5731	21882	" " Slide.....
578D	21882	" " " Adjusting Screw.....
52128	21882	Throat Plate (small needle hole) com- plete for 52126, Nos. 5731,52127, 142032 and three 578D.....
Note: No. 52128, 3/16 in. gauge, is sent with this machine unless another gauge is specified on order.		
52132	-----	Throat Plate (large needle hole) com- plete for 52126, Nos. 5731, 52127, 52131 and three 578D.....
Note: When ordering No. 52128 or 52132, state re- quired distance of trimmed edge from seam.		
691F	21882	Throat Plate Screw.....
24079	21887	Drip Pan.....
*15404	-----	Trade Mark.....
15405	-----	" " Rivet.....

MACHINE BASE

No.	Plate	Name
24106	21873	Bed Frame Cushion (felt).....
158E	21873	" " " Screw.....
24107	21873	" " Hinge Connection.....
9261	21873	" " " " Pin.....
970D	21873	" " Thumb Screw.....
24108	21873	Bed Frame complete, Nos. 970D, two each 9261, 24107, four each 158E, 24106 and six wood screws 1 1/4 in. No. 12

ACCESSORIES

No.	Plate	Name
121587	22981	Grease Gun (3 oz. capacity) for Fitting No. 142005.....
121588	22981	Grease Gun (1/2 lb. capacity) for Fit- ting No. 142005.....
12361	22906	Machine Hinge Connection.....
44139	22906	" " Plate.....
44140	22906	Machine Hinge complete, Nos. 12361,44139 and merlized wood screw 1 1/4 in.No. 14.....
20022	22906	Machine Rest (felt).....
41400	22906	" " Pin (wood).....
120342	22906	Oiler (copper plated) with 120343.....
120343	22906	" Spout, 3 1/2 in. long.....
26026	22906	Screw Driver (large).....
26485	22906	" " (small).....
8909	22906	Wrench for 1513 and 1518.....
8908	22906	" " 1519 and 1520.....

BOBBIN WINDERS

BOBBIN WINDER

(SWINGING AUTOMATIC, LEFT HAND)

No.	Plate	Name
41913	22247	Bracket with 457C.....
41583	22247	Frame with 457C.....
34105	22247	" Hinge Pin.....
457C	22247	" " " Set Screw.....

No.	Plate	Name
41914	22247	Frame Spring.....
41585	22247	Pulley with 171D.....
171D	22247	" Set Screw.....
41586	22247	Spindle.....
41587	22247	Stop Latch.....
42614	22247	" " Hinge Stud.....
457C	22247	" " " " Set Screw.....
7958	22247	" " Stop Pin.....
41588	22247	" " Tripping Arm with 185H.....
185H	22247	" " " " Clamping Screw..
150459	22247	Tension Bracket with 460C.....
150460	22247	Tension Bracket complete, Nos. 41593 to 41595, 52183, 52239, 127187, 127255, 150459 and two 2455.....
158J	22247	Tension Bracket Screw.....
52239	22247	" " Spool Pin and Thread Eye- let.....
8879	22247	Tension Bracket Spool Pin Washer (cloth)
2455	22247	" Disc.....
41593	22247	" Spring.....
41594	22247	" Stud.....
460C	22247	" " Set Screw.....
41595	22247	" Thread Guide.....
60845	22247	Bobbin Winder, Nos. 7958, 34105, 41583, 41585 to 41588,41913,41914 and 42614
41915	-----	Bobbin Winder 60845 with 880E and 25446.
150461	22247	Bobbin Winder (swinging automatic, left hand) complete, Nos.41915 and 150460
880E	22247	Bobbin Winder Screw.....
25446	22247	" " " Washer.....

BOBBIN WINDER

(SWINGING AUTOMATIC, RIGHT HAND)

No.	Plate	Name
41339	22907	Base.....
41340	22907	Frame.....
1429D	22907	" Hinge Screw.....
41341	22907	" Spring.....
207D	22907	" " Screw.....
41342	22907	Pulley with 200F.....
200F	22907	" Set Screw.....
41343	22907	Spindle.....
27306	22907	Spool Pin.....
27307	22907	" Stand.....
27308	22907	Spool Stand complete, Nos. 419E, 1562J, 2106,10141,11241,27306,27307 and two each 2455 and wood screws 1 in.No.10

BOBBIN WINDER

No.	Plate	Name
11241	22907	Spool Washer (cloth).....
41344	22907	Stop Latch.....
41345	22907	" " Finger.....
152F	22907	" " " Screw.....
1430D	22907	" " Hinge Screw.....
1550H	22907	" " " " Nut.....
41346	22907	" " Lever.....
1430D	22907	" " " Hinge Screw.....
2455	22907	Tension Disc.....
1562J	22907	" Regulating Thumb Nut.....
418E	22907	" Screw Stud.....
10141	22907	" Spring.....
2106	22907	" Thread Guide.....
60456	-----	Bobbin Winder, Nos. 152F, 207D, 1429D, 1550H, 41339 to 41346 and three 1430D.....
41347	22907	Bobbin Winder, Nos. 60456 and two each 9331 and wood screws 1 in. No. 10 R.H.B.....
41348	22907	Bobbin Winder (swinging automatic, right hand) complete, Nos. 27308 and 41347
9331	22907	Bobbin Winder Washer.....

BOBBIN WINDER

(SWINGING AUTOMATIC, RIGHT HAND)

FOR POWER TABLE

No.	Plate	Name
225433	22908	Bobbin Winder and Tension Bracket Base..
225453	22908	Frame with 202277 and 225438.....
225454	22908	" Hinge Pin.....
202277	22908	" Oil Packing (wick).....
225438	22908	" " Well Cap.....
225455	22908	" Spring.....
225456	22908	" " Plunger.....
202473	22908	Pulley with 200380C.....
200380C	22908	" Set Screw.....
225381	22908	Spindle.....
225444	22908	Stop Latch.....
200056E	22908	" " Screw.....
225458	22908	" " Thumb Lever.....
225459	22908	" " " " Hinge Stud.....
225459	22908	" " " " Joint Stud.....
202478	22908	" " Trip Lever.....
200299H	22908	" " " " Hinge Screw.....

BOBBIN WINDER

No.	Plate	Name
225461	22908	Tension Bracket with 201499B.....
200082D	22908	" " Screw.....
228026	22908	" " " Washer.....
2102	22908	" Disc.....
202407	22908	" Spring.....
201499B	22908	" Stud.....
201572B	22908	" " Thumb Nut.....
225462	22908	Tension Bracket complete, Nos. 201572B, 202407, 225461 and two 2102.....
225382	22908	Bobbin Winder complete, Nos. 200056E, 200082D, 200299H, 202473, 202478, 225381, 225433, 225444, 225453 to 225456, 225458, 225462, 228026, two each 225459 and wood screws 3/4 in. No. 12 R.H.B.....

FINGER GUARD

No.	Plate	Name
121356	22999	Finger Guard.....

FOOT LIFTER PARTS

No.	Plate	Name
5596	21889	Bell Crank.....
56848	-----	" " 5596 with 5599 and 5601.....
5599	21889	" " Bracket.....
178E	21889	" " " Screw.....
5601	21889	" " Hinge Pin.....
5735	21889	" " Spring.....
5598	-----	Bell Crank complete, Nos. 5735 and 56848
5670	21873	Chain, length 26 in. to 35 in., with 56864 and 56865.....
Note: When ordering No. 5670, give length required.		
4879	21873	Chain Connecting Link.....
56864	21873	" Hook (large).....
56865	21873	" " (small).....
16585	21889	Lifting Lever with 448C.....
52028	21889	" " Connecting Rod.....
12416	21889	" " " " Joint.....
76D	21889	" " " " " Hinge Screw.....
1521J	21889	Lifting Lever Connecting Rod Lock Nut...
802D	21889	" " Hinge Screw.....

FOOT LIFTER PARTS

No.	Plate	Name
12241	21890	Lifting Lever Link.....
766D	21890	" " " Hinge Screw.....
16586	21889	" " " Pin.....
448C	21889	" " " Set Screw.....
2763	21873	Rock Shaft.....
12242	21873	" " Hanger with two wood screws 1 in. No. 10.....
6337	21873	Rock Shaft Lifting Bracket with two 356C
12243	21873	" " " " Hook.....
7125	21873	" " " " Hook.....
356C	21873	" " " " " Set Screw
356C	21873	" " " " " Set Screw....
2770	21873	" " Stop Dog with 140219C.....
140219C	21873	" " " " Set Screw.....
4880	21873	Rock Shaft complete, Nos.2763,2770,7125, 12243 and two each 6337 and 12242...
4881	21873	Treadle.....
4882	21873	" Shaft.....
4883	21873	" Spring.....
4884	21873	" Stand.....
4885	21873	Treadle complete, Nos. 4879,4881 to 4884 and two wood screws 1 in. No. 16....
52116	-----	Foot Lifter complete, Nos.76D,766D,802D, 1521J,4880,4885,5598,5670,12241, 12416,16585,16586,52028 and two 178E

KNEE LIFTER PARTS

No.	Plate	Name
5596	21889	Bell Crank.....
56848	-----	" " 5596 with 5599 and 5601.....
5599	21889	" " Bracket.....
178E	21889	" " " Screw.....
5601	21889	" " Hinge Pin.....
5735	21889	" " Spring.....
5598	-----	Bell Crank complete, Nos. 5735 and 56848
16585	21889	Lifting Lever with 448C.....
52028	21889	" " Connecting Rod.....
12416	21889	" " " " Joint.....
76D	21889	" " " " " Hinge Screw.....
1521J	21889	Lifting Lever Connecting Rod Lock Nut...
802D	21889	" " Hinge Screw.....
12241	21890	" " Link.....
766D	21890	" " " Hinge Screw.....
16586	21889	" " Pin.....
448C	21889	" " " Set Screw.....

KNEE LIFTER PARTS

No.	Plate	Name
2763	21887	Rock Shaft.....
12242	21887	" " Hanger with two wood screws 1 in. No. 10.....
2765	21887	Rock Shaft Knee Arm.....
2766	21887	" " " " Hub with 356C.....
356C	21887	" " " " " Set Screw.....
2768	-----	Rock Shaft Knee Arm complete, for 2777, Nos. 2765 to 2767.....
2767	21887	Rock Shaft Knee Plate with 356C.....
356C	21887	" " " " " Set Screw.....
6337	21887	" " Lifting Bracket with two 356C
2778	21887	" " " " Hook.....
356C	21887	" " " " " Set Screw
356C	21887	" " " " " Set Screw....
2770	21887	" " Stop Dog with 140219C.....
140219C	21887	" " " " Set Screw.....
2777	21887	Rock Shaft complete, Nos.2763,2768,2770, 2778, 6337 and two 12242.....
52117	-----	Knee Lifter complete (power table) Nos. 76D, 766D, 802D, 1521J, 2777, 5598, 12241,12416,16585,16586,52028 and two 178E.....

KNIFE GRINDER

No.	Plate	Name
27565	21886	Emery Wheel, 2 in. diam.....
1508J	21886	" " Clamping Nut.....
27822	21886	" " " " Washer.....
27567	21886	" " Shaft.....
60934	-----	" " " 27567 with 1508J,27565, 27569 and 27822.....
27568	21886	Emery Wheel Shaft Oil Hole Cover (rubber)
27569	21886	" " " Pulley.....
310K	21886	" " " Screw Center.....
1516J	21886	" " " " " Nut.....
27564	21886	Frame with 27574.....
899J	21886	Knife Clamping Screw.....
126392	-----	" Holder for 126393.....
27657	21886	" " Body for 27658.....
27679	-----	" " " 27681.....
27658	21886	Knife Holder complete, Nos. 899J, 27657 and 27660.....
27681	-----	Knife Holder complete, Nos. 899J, 11833, 27660 and 27679.....
126393	-----	Knife Holder complete, Nos. 227J, 899J, 27660, 126392 and 126394.....

KNIFE GRINDER

No.	Plate	Name
27323	21886	Knife Holder Guide Bar.....
27572	21886	" " " " Bracket with 27574
310K	21886	" " " " " Screw Center
1516J	21886	" " " " " " " "
		Nut.....
27573	21886	Knife Holder Guide Bar Bracket Spring...
27574	21886	" " " " " " Hook
27659	21886	" " Stop Collar with 237K.....
237K	21886	" " " " Set Screw.....
27660	21886	" Position Pin for 27658.....
27660	-----	" " " (lower) for 27681 and 126393.....
11933	-----	Knife Position Pin (upper) for 27681....
261J	21886	" Regulating Thumb Screw.....
126394	-----	" Stop.....
227J	-----	" " Screw.....
27662	21886	Wrench for 1508 and 1516.....
*60583	-----	Knife Grinder, Nos. 261J, 27323, 27564, 27572,27573,27659,60934, two 27568 and four each 310K and 1516J.....
27661	21886	Knife Grinder complete, Nos.27662,60583, either 27658, 27681 or 126393 and three wood screws 1 in. No. 10.....

THREAD UNWINDER

FOR TWO SPOOLS OR TWO LARGE CONES OF THREAD

No.	Plate	Name
225257	22248	Spool Rest with 201018C.....
150203	22248	" " Cushion (felt).....
225388	22248	" " Rod.....
200383C	22248	" " " Set Screw.....
201018C	22248	" " Set Screw.....
202490	22248	" Stand with 200383C.....
225391	22248	Thread Guide.....
201696J	22248	" " Lock Nut.....
225326	22248	" " Position Cup.....
225324	22248	" " Rod with 208E and 225322...
208E	22248	" " " Screw.....
225322	22248	" " " Washer.....
225258	22248	Thread Unwinder complete, Nos. 201696J, 202490,225257,225324,225326,225388, two each 150203, 225391 and three wood screws 7/8 in. No. 12.....
27739	22248	Thread Cone (wood) for large cones.....
225390	22248	" " Holder for inverted cones...

Note: Nos. 27739 and 225390 are used with, but not included in 225258.

NUMERICAL LIST OF PARTS

NUMERICAL LIST OF PARTS

No.	Plate	Name
76D	21889	Lifting Lever Connecting Rod Joint Hinge Screw for 52116 and 52117.....
116E	22999	Arm Screw (back).....
144D	21888	" Shaft (horizontal) Screw.....
152F	22907	Bobbin Winder Stop Latch Finger Screw for 60456.....
157J	21889	Feed Lifting Rock Shaft Crank Clamping Screw for 52265.....
157J	21889	Feed Rock Shaft Crank Clamping Screw for 29633.....
158J	22999	Arm Top Cover Screw.....
158E	21873	Bed Frame Cushion Screw for 24108.....
158J	22247	Bobbin Winder Tension Bracket Screw.....
171D	22247	Bobbin Winder Pulley Set Screw for 41585
176J	21882	Face Plate Screw.....
176J	21890	Presser Foot Screw.....
178E	21889	Bell Crank Bracket Screw for 52116 and 52117.....
195H	22247	Bobbin Winder Stop Latch Tripping Arm Clamping Screw for 41588.....
191C	21885	Knife Bar Crank Set Screw for 24431.....
200F	22907	Bobbin Winder Pulley Set Screw for 41342
207D	22907	" " Frame Spring Screw for 60456
207E	21890	Needle Bar Connecting Stud Clamping Screw for 24041.....
208E	22248	Thread Unwinder Thread Guide Rod Screw for 225324.....
223J	21885	Knife Screw for 52108.....
223C	21890	Slack Thread Regulator Set Screw for 52338.....
226J	21882	Face Plate Thread Guard (lower) Screw for 52103.....
226J	21882	Face Plate Thread Guard (upper) Screw for 52103.....
227J	-----	Knife Grinder Knife Stop Screw for 126393.....
237K	21886	Knife Grinder Knife Holder Stop Collar Set Screw for 27659.....
261J	21886	Knife Grinder Knife Regulating Thumb Screw for 60583.....
310K	21886	Knife Grinder Emery Wheel Shaft Screw Center for 60583.....
310K	21886	Knife Grinder Knife Holder Guide Bar Bracket Screw Center for 60583.....
313C	21889	Feed Bar Screw Center for 56813.....

NUMERICAL LIST OF PARTS

No.	Plate	Name
356C	21887	Rock Shaft Knee Arm Hub Set Screw for 2766.....
356C	21887	Rock Shaft Knee Plate Set Screw for 2767
356C	21887	" " Lifting Bracket Hook Set Screw for 6337.....
356C	21887	Rock Shaft Lifting Bracket Set Screw for 6337.....
375C	21888	Feed Connecting Link Hinge Screw.....
375C	21888	" Forked Connection Hinge Screw for 52085.....
375C	21888	Feed Lifting Rock Shaft Connecting Rod Hinge Screw.....
418E	22907	Bobbin Winder Tension Screw Stud for 27308.....
423C	21888	Arm Shaft (horizontal) Intermediate Bushing Set Screw.....
432C	21888	Arm Shaft (upright) Bushing (lower) Set Screw.....
435C	21888	Arm Shaft (horizontal) Flanged Bushing (front) Set Screw.....
435C	21890	Thread Take-up Lever Link Hinge Pin Set Screw.....
443C	21888	Arm Shaft (upright) Bushing (upper) Set Screw.....
448C	21888	Arm Shaft (horizontal) Flanged Bushing (back) Set Screw.....
448C	21888	Balance Wheel Set Screw for 52176.....
448C	21888	Feed and Feed Lifting Eccentric Set Screw for 52230.....
448C	21889	Lifting Lever Pin Set Screw for 16585...
448C	21882	Thread Take-up Spring Regulator Set Screw.....
453C	21890	Presser Bar Guide Bracket Set Screw for 52338.....
457C	22247	Bobbin Winder Frame Hinge Pin Set Screw for 41583.....
457C	22247	Bobbin Winder Stop Latch Hinge Stud Set Screw for 41913.....
460C	22247	Bobbin Winder Tension Stud Set Screw for 150459.....
578D	21882	Throat Plate Cutting Bar Screw for 52128 and 52132.....
578D	21882	Throat Plate Slide Adjusting Screw.....
591F	21890	Rotating Hook Bobbin Case Tension Regulating Screw for 52236.....
592E	21890	Rotating Hook Bobbin Case Latch Stop Screw for 52237.....
620C	21885	Knife Adjusting Screw for 52108.....
621J	21885	" Bar Lifting Spring Guide Bracket Screw for 52107.....

NUMERICAL LIST OF PARTS

No.	Plate	Name
624C	21882	Thread Retainer Set Screw.....
647C	21885	Knife Bar Driving Crank Bracket Screw...
689C	21890	Presser Bar Lifter Screw.....
691F	21882	Throat Plate Screw.....
704J	21889	Rotating Hook Bobbin Case Holder Position Bracket Screw.....
725J	21882	Bed Slide Spring Screw for 12432.....
766D	21890	Lifting Lever Link Hinge Screw for 52116 and 52117.....
775E	21890	Needle Bar Connecting Link Cap Screw for 127281.....
802D	21889	Lifting Lever Hinge Screw for 52116 and 52117.....
816W	21888	Feed Regulator Thumb Screw.....
854E	22999	Arm Screw (front).....
880E	22247	Bobbin Winder Screw for 41915.....
899J	21886	Knife Grinder Knife Clamping Screw for 27658, 27681 and 126393.....
966E	21888	Feed Lifting Rock Shaft Connecting Rod Cap Screw for 127156.....
970D	21873	Bed Frame Thumb Screw for 24108.....
1036C	21888	Arm Shaft (horizontal) Bevel Gear Set Screw for 127072.....
1036C	21888	Thread Take-up Crank Set Screw for 52229
1037C	21888	" " " Position Screw for 52229.....
1053E	21890	Rotating Hook Thread Guard Screw for 127096.....
1065C	21888	Needle Bar Crank Position Screw for 52229.....
1128E	21888	Feed Regulator Hinge Screw.....
1133E	21890	Needle Bar Bushing (lower) Set Screw....
1133E	21890	" " " (upper) Set Screw....
1143C	21889	Rotating Hook Shaft Bushing (back) Set Screw.....
1148C	21889	Rotating Hook Shaft Bushing (front) Set Screw.....
1162C	21885	Knife Bar Crank Coupling Pin for 24432..
1253C	21890	Rotating Hook Set Screw for 127095.....
1259C	21888	Arm Shaft (upright) Bevel Gear (lower) Set Screw for 52281.....
1259C	21883	Arm Shaft (upright) Bevel Gear (upper) Set Screw for 52282.....
1259C	21889	Rotating Hook Shaft Bevel Gear Set Screw for 127073.....
1367E	21890	Rotating Hook Section Screw for 127097 and 127239.....
1380E	21890	Rotating Hook Bobbin Case Tension Spring Screw for 52236.....
1429D	22907	Bobbin Winder Frame Hinge Screw for 60456.....

NUMERICAL LIST OF PARTS

No.	Plate	Name
1430D	22907	Bobbin Winder Stop Latch Hinge Screw for 60456.....
1430D	22907	Bobbin Winder Stop Latch Lever Hinge Screw for 60456.....
1508J	21886	Knife Grinder Emery Wheel Clamping Nut for 60934.....
1513J	21889	Feed Lifting Rock Shaft Screw Center Nut for 52097.....
1513J	21889	Feed Rock Shaft Screw Center Nut for 52097.....
1516J	21886	Knife Grinder Emery Wheel Shaft Screw Center Nut for 60583.....
1516J	21886	Knife Grinder Knife Holder Guide Bar Bracket Screw Center Nut for 60583..
1518J	21888	Feed Connecting Link Hinge Screw Nut....
1518J	21888	" Forked Connection Hinge Screw Nut for 52085.....
1518J	21888	Feed Lifting Rock Shaft Connecting Rod Hinge Screw Nut.....
1519J	21889	Feed Bar Screw Center Nut for 56813.....
1520J	21890	Presser Bar Lifter Screw Nut.....
1521J	21889	Lifting Lever Connecting Rod Lock Nut for 52116 and 52117.....
1550H	22907	Bobbin Winder Stop Latch Hinge Screw Nut for 60456.....
1560C	21882	Tension Regulating Thumb Nut for 52096..
1562J	22907	Bobbin Winder Tension Regulating Thumb Nut for 27308.....
1564D	21885	Knife Bar Crank Coupling Pin Head for 24432.....
2022	21885	Knife Bar Crank Pin for 52106.....
2102	22908	Bobbin Winder Tension Disc for 225462...
2102	21882	Tension Disc for 52092.....
2106	22907	Bobbin Winder Tension Thread Guide for 27308.....
2291	21885	Knife Screw Washer for 52108.....
2297	21885	" Bar Crank Coupling Pin Spring for 24432.....
2301	21885	Knife Bar Stop Pin for 52104.....
2455	22247	Bobbin Winder Tension Disc for 27308 and 150460.....
2523	21885	Knife Bar Lifting Spring Guide Pin for 24906.....
2763	21887	Rock Shaft for 2777 and 4880.....
2765	21887	Rock Shaft Knee Arm for 2768.....
2766	21887	" " " Hub with 356C, for 2768.....
2767	21887	Rock Shaft Knee Plate with 356C, for 2768.....
2768	-----	Rock Shaft Knee Arm complete for 2777, Nos. 2765 to 2767.....

NUMERICAL LIST OF PARTS

No.	Plate	Name
2770	21887	Rock Shaft Stop Dog with 140219C, for 2777 and 4880.....
2777	21887	Rock Shaft complete for 52117, Nos. 2763, 2768, 2770, 2778, 6337 and two 12242...
2778	21887	Rock Shaft Lifting Bracket Hook for 2777
2974	21890	Rotating Hook Bobbin Case Latch Lever Fulcrum Pin for 40393.....
2975	21890	Rotating Hook Bobbin Case Latch Spring for 52237.....
4307	21882	Bed Slide Spring for 12432.....
4879	21873	Chain Connecting Link for 4885.....
4880	21873	Rock Shaft complete for 52116, Nos. 2763, 2770, 7125, 12243 and two each 6337 and 12242.....
4881	21873	Treadle for 4885.....
4882	21873	" Shaft for 4885.....
4883	21873	" Spring for 4885.....
4884	21873	" Stand for 4885.....
4885	21873	Treadle complete for 52116, Nos. 4879, 4881 to 4884 and two wood screws 1 in. No. 16.....
5596	21889	Bell Crank for 56848.....
5598	-----	Bell Crank complete, Nos. 5735 and 56848, for 52116 and 52117.....
5599	21889	Bell Crank Bracket for 56848.....
5601	21889	" " Hinge Pin for 56848.....
5670	21873	Chain, length 26 in. to 35 in., with 56864 and 56865, for 52116.....
5726	21885	Knife (narrow).....
5731	21882	Throat Plate Slide for 52128 and 52132..
5735	21889	Bell Crank Spring for 5598.....
6337	21887	Rock Shaft Lifting Bracket with two 356C, for 2777 and 4880.....
7125	21873	Rock Shaft Lifting Bracket Hook for 4880
7958	22247	Bobbin Winder Stop Latch Stop Pin for 60845.....
8879	22999	Arm Spool Pin Washer (cloth).....
8879	22247	Bobbin Winder Tension Bracket Spool Pin Washer (cloth).....
8908	22906	Wrench for 1519 and 1520 (Accessories)
8909	22906	Wrench for 1513 and 1518 (Accessories)
9261	21873	Bed Frame Hinge Connection Pin for 24108
9331	22907	Bobbin Winder Washer for 41347.....
10141	22907	" " Tension Spring for 27308..
11119	22999	Arm Oil Tube with 52045 for oiling 52113
11167	21890	Presser Bar Spring.....
11170	21890	" " " Washer.....
11204	21890	Thread Take-up Lever Link Hinge Pin for 127280.....
11241	22907	Bobbin Winder Spool Washer (cloth) for 27308.....

NUMERICAL LIST OF PARTS

No.	Plate	Name
11833	-----	Knife Grinder Knife Position Pin (upper) for 27681.....
12241	21890	Lifting Lever Link for 52116 and 52117..
12242	21887	Rock Shaft Hanger with two wood screws 1 in. No. 10, for 2777 and 4880.....
12243	21873	Rock Shaft Lifting Bracket Hook for 4880
12327	21890	Presser Bar Lifting and Releasing Lever Bracket.....
12329	21882	Tension Releasing Lever Spring.....
12361	22906	Machine Hinge Connection for 44140.....
12391	21890	Presser Bar (hollow).....
12398	21882	Tension Releasing Lever Hinge Pin.....
12416	21889	Lifting Lever Connecting Rod Joint for 52116 and 52117.....
12431	21882	Bed Slide for 12432.....
12432	21882	Bed Slide complete, Nos. 4307, 12431 and two 725J.....
13710	21882	Tension Spring for 52092.....
*15404	-----	Trade Mark for 52300.....
15405	-----	" " Rivet for 52300.....
16532	22999	Arm Dowel Pin.....
16564	21885	Knife Bar Driving Crank Bracket for 52106.....
16585	21889	Lifting Lever with 448C, for 52116 and 52117.....
16586	21889	Lifting Lever Pin for 52116 and 52117...
19392	21890	Presser Foot for 3/16 in. gauge and above.....
20022	22906	Machine Rest (felt) Accessories.....
24037	21888	Feed Forked Connection for 52085.....
24041	21890	Needle Bar Connecting Stud with 207E, for 127232.....
24079	21887	Drip Pan.....
24106	21873	Bed Frame Cushion (felt) for 24108.....
24107	21873	" " Hinge Connection for 24108....
24108	21873	Bed Frame complete, Nos. 970D, two each 9261, 24107, four each 158E, 24106 and six wood screws 1 1/4 in. No. 12....
24109	21885	Knife Holder Handle for 52107.....
24122	21885	" Bar Lifting Spring.....
24123	21885	" " " Case.....
24431	21885	" " Crank with 191C, for 24432....
24432	-----	Knife Bar Crank complete for 52106, Nos. 1162C, 1564D, 2297 and 24431.....
24722	21890	Presser Foot for 1/32 in. to 11/64 in. gauges.....
24906	21885	Knife Bar Lifting Spring Guide with 2523, for 52107.....
25446	22247	Bobbin Winder Screw Washer for 41915....
26026	22906	Screw Driver (large) Accessories.....

NUMERICAL LIST OF PARTS

No.	Plate	Name
26485	22906	Screw Driver (small) Accessories.....
27306	22907	Bobbin Winder Spool Pin for 27308.....
27307	22907	" " " Stand for 27308.....
27308	22907	Bobbin Winder Spool Stand complete for 41348, Nos. 418E, 1562J, 2106, 10141, 11241, 27306, 27307 and two each 2455 and wood screws 1 in. No. 10.....
27323	21886	Knife Grinder Knife Holder Guide Bar for 60583.....
27564	21886	Knife Grinder Frame with 27574, for 60583.....
27565	21886	Knife Grinder Emery Wheel, 2 in. diam., for 60934.....
27567	21886	Knife Grinder Emery Wheel Shaft for 60934.....
27568	21886	Knife Grinder Emery Wheel Shaft Oil Hole Cover (rubber) for 60583.....
27569	21886	Knife Grinder Emery Wheel Shaft Pulley for 60934.....
27572	21886	Knife Grinder Knife Holder Guide Bar Bracket with 27574, for 60583.....
27573	21886	Knife Grinder Knife Holder Guide Bar Bracket Spring for 60583.....
27574	21886	Knife Grinder Knife Holder Guide Bar Bracket Spring Hook for 27564 and 27572.....
27657	21886	Knife Grinder Knife Holder Body for 27658.....
27658	21886	Knife Grinder Knife Holder complete for 27661, Nos. 899J, 27657 and 27660...
27659	21886	Knife Grinder Knife Holder Stop Collar with 237K, for 60583.....
27660	21886	Knife Grinder Knife Position Pin for 27658.....
27660	-----	Knife Grinder Knife Position Pin (lower) for 27681 and 126393.....
27661	21886	Knife Grinder complete, Nos. 27662, 60583, either 27658, 27681 or 126393 and three wood screws 1 in. No. 10.....
27662	21886	Wrench for 1508 and 1516, for 27661.....
27679	-----	Knife Grinder Knife Holder Body for 27681.....
27681	-----	Knife Grinder Knife Holder complete for 27661, Nos. 899J, 11833, 27660 and 27679.....
27739	22248	Thread Unwinder Thread Cone (wood) for large cones for 225258.....
27822	21886	Knife Grinder Emery Wheel Clamping Nut Washer for 60934.....
29633	21889	Feed Rock Shaft Crank with 157J, for 52069.....

NUMERICAL LIST OF PARTS

No.	Plate	Name
32572	21882	Tension Releasing Disc for 52092.....
32574	21882	" " Pin for 52092.....
34105	22247	Bobbin Winder Frame Hinge Pin for 60845.
40264	21890	Rotating Hook Bobbin.....
40274	21890	" " Section for 127097 and 127239.....
40392	21890	Rotating Hook Bobbin Case Latch for 40393.....
40393	-----	Rotating Hook Bobbin Case Hinge, Nos. 2974, 40392 and 125320, for 52237...
40394	21890	Rotating Hook Bobbin Case Tension Spring for 52236.....
41339	22907	Bobbin Winder Base for 60456.....
41340	22907	" " Frame for 60456.....
41341	22907	" " Spring for 60456....
41342	22907	" " Pulley with 200F, for 60456
41343	22907	" " Spindle for 60456.....
41344	22907	" " Stop Latch for 60456.....
41345	22907	" " " " Finger for 60456
41346	22907	" " " " Lever for 60456.
41347	22907	Bobbin Winder, Nos. 60456 and two each 9331 and wood screws 1 in. No. 10 R.H.B. for 41348.....
41348	22907	Bobbin Winder (swinging automatic, right hand) complete, Nos. 27308 and 41347
41400	22906	Machine Rest Pin (wood) Accessories...
41583	22247	Bobbin Winder Frame with 457C, for 60845
41585	22247	" " Pulley with 171D, for 60845
41586	22247	" " Spindle for 60845.....
41587	22247	" " Stop Latch for 60845.....
41588	22247	" " " " Tripping Arm with 185H, for 60845.....
41593	22247	Bobbin Winder Tension Spring for 150460.
41594	22247	" " " Stud for 150460...
41595	22247	" " " Thread Guide for 150460.....
41913	22247	Bobbin Winder Bracket with 457C, for 60845.....
41914	22247	Bobbin Winder Frame Spring for 60845....
41915	-----	" " 60845 with 880E and 25446, for 150461.....
42367	22999	Arm Oil Tube Packing (braided cotton)for 52185 and 127187.....
42614	22247	Bobbin Winder Stop Latch Hinge Stud for 60845.....
43944	21882	Tension Releasing Lever.....
44139	22906	Machine Hinge Plate for 44140.....
44140	22906	Machine Hinge complete, Nos. 12361,44139 and merlized wood screw 1 1/4 in. No. 14 (Accessories).....

NUMERICAL LIST OF PARTS

No.	Plate	Name
50053W	22999	Arm Side Cover Thumb Screw.....
50083C	21888	Feed Connecting Link Hinge Stud Set Screw for 52074.....
50117E	21882	Feed Dog Screw.....
50117E	21885	Knife Holder Handle Screw for 52107.....
50117E	21885	" " Screw for 52107.....
50191C	21889	Feed Lifting Rock Shaft Screw Center for 52097.....
50191C	21889	Feed Rock Shaft Screw Center for 52097..
50304C	21882	Tension Stud for 52098.....
50305C	21882	" " Set Screw for 52083.....
50373W	21890	Pressure Regulating Thumb Screw.....
51068R	21888	Arm Shaft (horizontal) Bevel Gear Case Screw for 142003.....
51068R	21889	Rotating Hook Shaft Bevel Gear Case Screw for 142004.....
52016	21890	Presser Bar Lifter.....
52018	21889	Rotating Hook Bobbin Case Holder Posi- tion Bracket.....
52021	21890	Thread Take-up Crank for 127281.....
52022	21890	" " Lever with 52130, for 52025.....
52023	21890	Thread Take-up Lever Hinge Pin for 52025.....
52024	21890	Thread Take-up Lever Link for 52025....
52025	-----	Thread Take-up Lever complete for 127280, Nos. 52022 to 52024.....
52027	21882	Thread Guard (side of arm).....
52028	21889	Lifting Lever Connecting Rod for 52116 and 52117.....
52045	22999	Arm Oil Tube Packing (wick) for 11119...
52053	21882	Face Plate Thread Guard (lower) for 52103.....
52065	21889	Feed Lifting Rock Shaft for 52264.....
52068	21889	" Rock Shaft for 52069.....
52069	-----	Feed Rock Shaft complete, Nos. 29633 and 52068.....
52073	21888	Feed Connecting Link Hinge Stud for 52118.....
52074	21888	Feed Regulator with 50083C, for 52118...
52082	21882	Thread Take-up Spring for 52092.....
52083	21882	" " " Regulator with 50305C, for 52092.....
52085	-----	Feed Forked Connection 24037 with 375C, 1518J and 52165.....
52092	21882	Tension complete, Nos. 13710,32572,32574, 52082, 52083, 52098 and two 2102....
52097	-----	Feed Lifting Rock Shaft Screw Center 50191C with 1513J.....
52097	-----	Feed Rock Shaft Screw Center 50191C with 1513J.....

NUMERICAL LIST OF PARTS

No.	Plate	Name
52098	-----	Tension Stud 50304C with 1560C, for 52092.....
52102	21882	Face Plate for 52103.....
52103	-----	Face Plate complete, Nos. 52053, 52102, 52170 and two 226J.....
52104	21885	Knife Bar with 2301, for 52107.....
52105	21885	" " Driving Crank (forked) for 52106.....
52106	21885	Knife Bar Driving Crank Bracket com- plete, Nos. 2022, 16564, 24432 and 52105.....
52107	-----	Knife Bar complete, Nos. 621J, 24109, 24906, 52104, 52108 and three 50117E..
52108	21885	Knife Holder with 620C, 2291 and two 223J, for 52107.....
52111	21890	Needle Bar Bushing (upper).....
52113	21888	" " Crank (eccentric) Sleeve for 142002.....
52115	21890	Slack Thread Regulator.....
52116	-----	Foot Lifter complete, Nos. 76D, 766D, 802D, 1521J, 4880, 4885, 5598, 5670, 12241, 12416, 16585, 16586, 52028 and two 178E
52117	-----	Knee Lifter complete (power table) Nos. 76D, 766D, 802D, 1521J, 2777, 5598, 12241, 12416, 16585, 16586, 52028 and two 178E
52118	-----	Feed Regulator 52074 with 52073.....
52126	21882	" Dog, 12 teeth (16 teeth to the inch) for 52128 and 52132.....
52127	21882	Throat Plate Body for 52128 and 52132...
52128	21882	Throat Plate (small needle hole) com- plete for 52126, Nos. 5731, 52127, 142032 and three 578D.....
52130	21890	Thread Take-up Lever Thread Eyelet Bushing for 52022.....
52131	-----	Throat Plate Cutting Bar for 52132.....
52132	-----	Throat Plate (large needle hole) com- plete for 52126, Nos. 5731, 52127, 52131 and three 578D.....
52165	21888	Feed Connecting Link for 52085.....
52168	21890	Needle Bar (hollow) with 140239H, for 52169.....
52169	-----	Needle Bar 52168 with 127136.....
52170	21882	Face Plate Thread Guard (upper) for 52103.....
52176	21888	Balance Wheel (power, disc) 2 3/16 in. pulley with two 448C.....
52180	22999	Arm Oil Tube (long) with 52184 for oil- ing 52022.....
52182	22999	Arm Oil Tube with 52184 for oiling 127231.....

NUMERICAL LIST OF PARTS

No.	Plate	Name
52183	22999	Arm Oil Tube with 52184 for oiling 52024 and 127156, for 127193 and 150460...
52184	22999	Arm Oil Tube Packing (wick) for 52180, 52182 and 52183.....
52184	22999	Oil Tube Packing (wick) for 127191.....
52185	22999	Arm Oil Tube (short) with 42367 for oil- ing 52022.....
52193	21888	Arm Shaft (horizontal) Flanged Bushing (back) Oil Pad (inside) braided cot- ton for 52260.....
52193	21888	Arm Shaft (horizontal) Flanged Bushing (front) Oil Pad (inside) braided cotton for 52196.....
52193	21888	Arm Shaft (horizontal) Intermediate Bushing Oil Pad (inside) braided cotton for 52262.....
52196	21888	Arm Shaft (horizontal) Flanged Bushing (front) with 52193 and 52198, for 142002.....
52198	21888	Arm Shaft (horizontal) Flanged Bushing (front) Oil Pad (outside) felt for 52196.....
52207	21890	Needle Bar Connecting Link Lubricating Pad (wood) for 127231.....
52210	-----	Feed and Feed Lifting Eccentric Lubri- cating Pad (long) wood for 52230....
52211	-----	Feed and Feed Lifting Eccentric Lubri- cating Pad (short) wood for 52230...
52229	21888	Needle Bar Crank (eccentric) with 1036C, 1037C and 1065C, for 142002.....
52230	21888	Feed and Feed Lifting Eccentric with 448C, 52210 and 52211, for 52232....
52232	-----	Feed and Feed Lifting Eccentric 52230 with 127152.....
52235	21890	Rotating Hook Bobbin Case for 52236....
52236	-----	" " " " 52235 with 591F, 1380E and 40394, for 52237.....
52237	21890	Rotating Hook Bobbin Case complete for 127240 and 127241, Nos. 592E, 2975, 40393 and 52236.....
52239	22999	Arm Spool Pin and Thread Eyelet for 127193.....
52239	22247	Bobbin Winder Tension Bracket Spool Pin and Thread Eyelet for 150460.....
52254	22999	Arm Oil Tube for oiling 52262.....
52260	21888	Arm Shaft (horizontal) Flanged Bushing (back) with 52193 and 52289.....
52262	21888	Arm Shaft (horizontal) Intermediate Bushing with 52193 and 52263.....
52263	21888	Arm Shaft (horizontal) Intermediate Bushing Oil Pad (outside) felt for 52262.....

NUMERICAL LIST OF PARTS

No.	Plate	Name
52264	-----	Feed Lifting Rock Shaft complete, Nos. 52065 and 52265.....
52265	21889	Feed Lifting Rock Shaft Crank with 157J and 52267, for 52264.....
52267	21889	Feed Lifting Rock Shaft Crank Slide Block for 52265.....
52276	21888	Arm Shaft (upright) Bushing (lower) with 52279 and 52280.....
52278	21888	Arm Shaft (upright) Bushing (upper) with 52279 and 52280.....
52279	21888	Arm Shaft (upright) Bushing Oil Wick (inside) braided cotton for 52276 and 52278.....
52279	21889	Rotating Hook Shaft Bushing Oil Wick (inside) braided cotton for 52286 and 52288.....
52280	21888	Arm Shaft (upright) Bushing Oil Pad (outside) felt for 52276 and 52278..
52280	21889	Rotating Hook Shaft Bushing Oil Pad (outside) felt for 52286 and 52288..
52281	21888	Arm Shaft (upright) Bevel Gear (lower) with two 1259C.....
52282	21888	Arm Shaft (upright) Bevel Gear (upper) with two 1259C.....
*52283	-----	Bed.....
52286	21889	Rotating Hook Shaft Bushing (back) with 52279 and 52280.....
52288	21889	Rotating Hook Shaft Bushing (front) with 52279 and 52280.....
52289	21888	Arm Shaft (horizontal) Flanged Bushing (back) Oil Pad (outside) felt for 52260.....
52290	22999	Arm Oil Tube Plug.....
*52300	-----	" with 15404 and two each 15405 and 56015.....
52338	21890	Presser Bar Guide Bracket with 223C and 453C.....
52359	21888	Feed Regulator Thumb Screw Stop.....
52452	21889	" Bar.....
52454	21882	Thread Retainer.....
54897	22999	Arm Shaft (horizontal) Back Bearing Oil Cup.....
56015	22999	Arm Oil Tube for oiling 142006, for 52300.....
56813	-----	Feed Bar Screw Center 313C with 1519J..
56848	-----	Bell Crank 5596 with 5599 and 5601, for 5598.....
56864	21873	Chain Hook (large) for 5670.....
56865	21873	Chain Hook (small) for 5670.....
60456	-----	Bobbin Winder, Nos. 152F, 207D, 1429D, 1550H, 41339 to 41346 and three 1430D, for 41347.....

NUMERICAL LIST OF PARTS

No.	Plate	Name
*60583	-----	Knife Grinder, Nos. 261J, 27323, 27564, 27572, 27573, 27659, 60934, two 27568 and four each 310K and 1516J, for 27661.....
60845	22247	Bobbin Winder, Nos. 7958, 34105, 41583, 41585 to 41588, 41913, 41914 and 42614, for 41915.....
60934	-----	Knife Grinder Emery Wheel Shaft 27567 with 1508J, 27565, 27569 and 27822 for 60583.....
68350	22999	Arm Shaft (horizontal) Front Bearing Oil Cup.....
120342	22906	Oiler (copper plated) with 120343 (Accessories).....
120343	22906	Oiler Spout, 3 1/2 in. long for 120342..
121356	22999	Finger Guard.....
121587	22981	Grease Gun (3 oz. capacity) for Fitting No. 142005 (Accessories).....
121588	22981	Grease Gun (1/2 lb. capacity) for Fitting No. 142005 (Accessories).....
125320	21890	Rotating Hook Bobbin Case Latch Lever for 40393.....
126392	-----	Knife Grinder Knife Holder for 126393..
126393	-----	Knife Grinder Knife Holder complete for 27661, Nos. 227J, 899J, 27660, 126392 and 126394.....
126394	-----	Knife Grinder Knife Stop for 126393....
127072	21888	Arm Shaft (horizontal) Bevel Gear with two 1036C.....
127073	21889	Rotating Hook Shaft Bevel Gear with two 1259C.....
127079	22999	Arm Side Cover.....
127091	22999	Oil Tube Bracket for 127092.....
127092	22999	" " " 127091 with 127191 for oiling 52165.....
127095	21890	Rotating Hook with three 1253C, for 127096.....
127096	21890	Rotating Hook 127095 with 127102 and four 1053E, for 127097 and 127239..
127097	-----	Rotating Hook 127096 with 40274 and three 1367E (For agents only)....
127102	21890	Rotating Hook Thread Guard for 127096..
127136	21890	Needle Bar Thread Guide for 52169.....
127152	21888	Feed and Feed Lifting Eccentric Sleeve for 52232.....
127156	21888	Feed Lifting Rock Shaft Connecting Rod with two 966E.....
127187	22999	Arm Oil Tube (bent) with 42367 for oiling 127152, for 127193 and 150460..
127191	22999	Oil Tube with 52184, for 127092.....

NUMERICAL LIST OF PARTS

No.	Plate	Name
127192	22999	Arm Top Cover for 127193.....
127193	-----	" " " 127192 with 52183, 52239, 127187 and 127255.....
127231	21890	Needle Bar Connecting Link with 52207, for 127232.....
127232	-----	Needle Bar Connecting Link 127231 with 24041, for 127281.....
*127239	-----	Rotating Hook 127096 with 40274, 127242 and three 1367E, for 127240.....
127240	21890	Rotating Hook 127239 with 52237.....
127241	-----	" " Bobbin Case 52237 with 127242.....
127242	21890	Rotating Hook Bobbin Case Holder for 127239 and 127241.....
127255	22999	Arm Top Cover Positioning Disc for 127193 and 150460.....
127279	21890	Needle Bar Bushing (lower).....
127280	-----	Thread Take-up complete, Nos.11204,52025 and 127281.....
127281	-----	Thread Take-up Crank 52021 with 775E and 127232, for 127280.....
140184E	21888	Arm Shaft (horizontal) Bevel Gear Case Plug Screw for 142003.....
140184E	21889	Rotating Hook Shaft Bevel Gear Case Oil Plug Screw for 142004.....
140219C	21887	Rock Shaft Stop Dog Set Screw for 2770..
140239H	21890	Needle Set Screw for 52168.....
142001	21888	Arm Shaft (horizontal) for 142002.....
142002	-----	" " " 142001 with 52113, 52196 and 52229.....
142003	21888	Arm Shaft (horizontal) Bevel Gear Case (two pieces) with 51068R,140184E and 142005.....
142004	21889	Rotating Hook Shaft Bevel Gear Case (two pieces) with 51068R,140184E and 142005.....
142005	21888	Arm Shaft (horizontal) Bevel Gear Case Alemite Fitting for 142003.....
142005	21889	Rotating Hook Shaft Bevel Gear Case Alemite Fitting for 142004.....
142006	21888	Arm Shaft (upright).....
142007	21889	Rotating Hook Shaft.....
142008	21889	" " " Bushing (front) Oil Cup.....
142032	21882	Throat Plate Cutting Bar for 52128.....
150203	22248	Thread Unwinder Spool Rest Cushion (felt) for 225258.....
150459	22247	Bobbin Winder Tension Bracket with 460C, for 150460.....

NUMERICAL LIST OF PARTS

No.	Plate	Name
150460	22247	Bobbin Winder Tension Bracket complete for 150461,Nos.41593 to 41595,52183, 52239,127187,127255,150459 and two 2455.....
150461	22247	Bobbin Winder (swinging automatic, left hand) complete, Nos.41915 and 150460
200056E	22908	Bobbin Winder Stop Latch Screw for 225382.....
200062D	22908	Bobbin Winder Tension Bracket Screw for 225382.....
200299H	22908	Bobbin Winder Stop Latch Trip Lever Hinge Screw for 225382.....
200380C	22908	Bobbin Winder Pulley Set Screw for 202473.....
200383C	22248	Thread Unwinder Spool Rest Rod Set Screw for 202490.....
201018C	22248	Thread Unwinder Spool Rest Set Screw for 225257.....
201499B	22908	Bobbin Winder Tension Stud for 225461...
201572B	22908	" " " " Thumb Nut for 225462.....
201696J	22248	Thread Unwinder Thread Guide Lock Nut for 225258.....
202277	22908	Bobbin Winder Frame Oil Packing (wick) for 225453.....
202407	22908	Bobbin Winder Tension Spring for 225462.
202473	22908	" " Pulley with 200380C, for 225382.....
202478	22908	Bobbin Winder Stop Latch Trip Lever for 225382.....
202490	22248	Thread Unwinder Spool Stand with 200383C, for 225258.....
225257	22248	Thread Unwinder Spool Rest with 201018C, for 225258.....
225258	22248	Thread Unwinder complete for two spools or two large cones of thread, Nos. 201696J,202490,225257,225324,225326, 225328, two each 150460, 225381 and three wood screws 7/8 in. No. 12....
225322	22248	Thread Unwinder Thread Guide Rod Washer for 225324.....
225324	22248	Thread Unwinder Thread Guide Rod with 206E and 225322, for 225258.....
225326	22248	Thread Unwinder Thread Guide Position Cup for 225258.....
225381	22908	Bobbin Winder Spindle for 225382.....
225382	22908	Bobbin Winder (swinging automatic, right hand) complete for power table, Nos. 200056E, 200062D, 200299H, 202473, 202478, 225381, 225433, 225444, 225453 to 225456, 225458, 225462, 228026, two each 225459 and wood screws 3/4 in. No. 12 R.H.B.....

NUMERICAL LIST OF PARTS

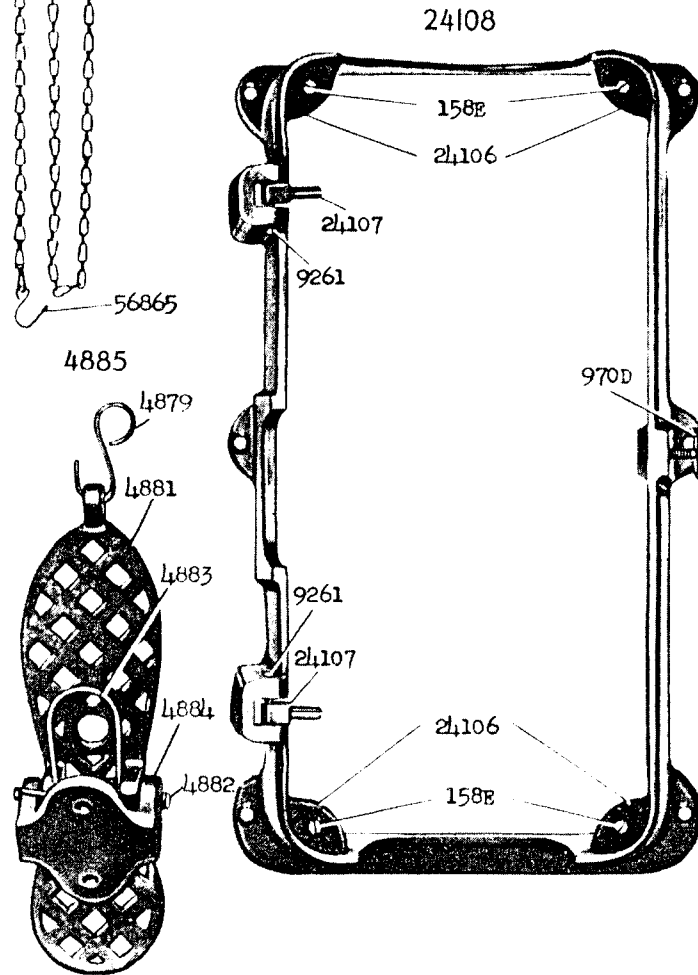
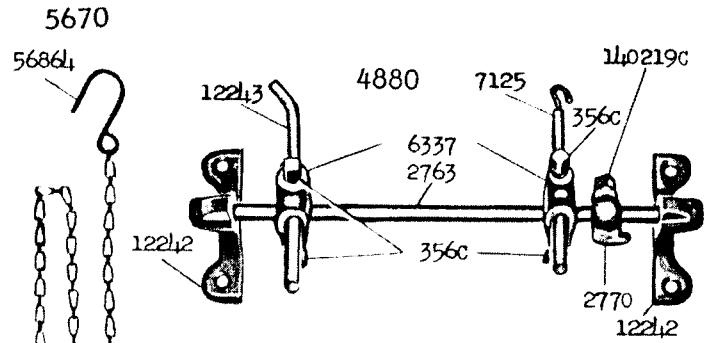
No.	Plate	Name
225388	22248	Thread Unwinder Spool Rest Rod for 225258.....
225390	22248	Thread Unwinder Thread Cone Holder (for inverted cones) for 225258.....
225391	22248	Thread Unwinder Thread Guide for 225258.
225433	22908	Bobbin Winder and Tension Bracket Base for 225382.....
225438	22908	Bobbin Winder Frame Oil Well Cap for 225453.....
225444	22908	Bobbin Winder Stop Latch for 225382.....
225453	22908	" " Frame with 202277 and 225438, for 225382.....
225454	22908	Bobbin Winder Frame Hinge Pin 225382....
225455	22908	" " " Spring for 225382....
225456	22908	" " " Plunger for 225382.....
225458	22908	Bobbin Winder Stop Latch Thumb Lever for 225382.....
225459	22908	Bobbin Winder Stop Latch Thumb Lever Hinge Stud for 225382.....
225459	22908	Bobbin Winder Stop Latch Thumb Lever Joint Stud for 225382.....
225461	22908	Bobbin Winder Tension Bracket with 201499B, for 225462.....
225462	22908	Bobbin Winder Tension Bracket complete for 225382, Nos. 201572B, 202407, 225461 and two 2102.....
228026	22908	Bobbin Winder Tension Bracket Screw Washer for 225382.....

**Genuine Singer Needles should be used
in Singer Machines.
These Needles and their Containers
are marked with the
Company's Trade Mark "SIMANCO." 1**

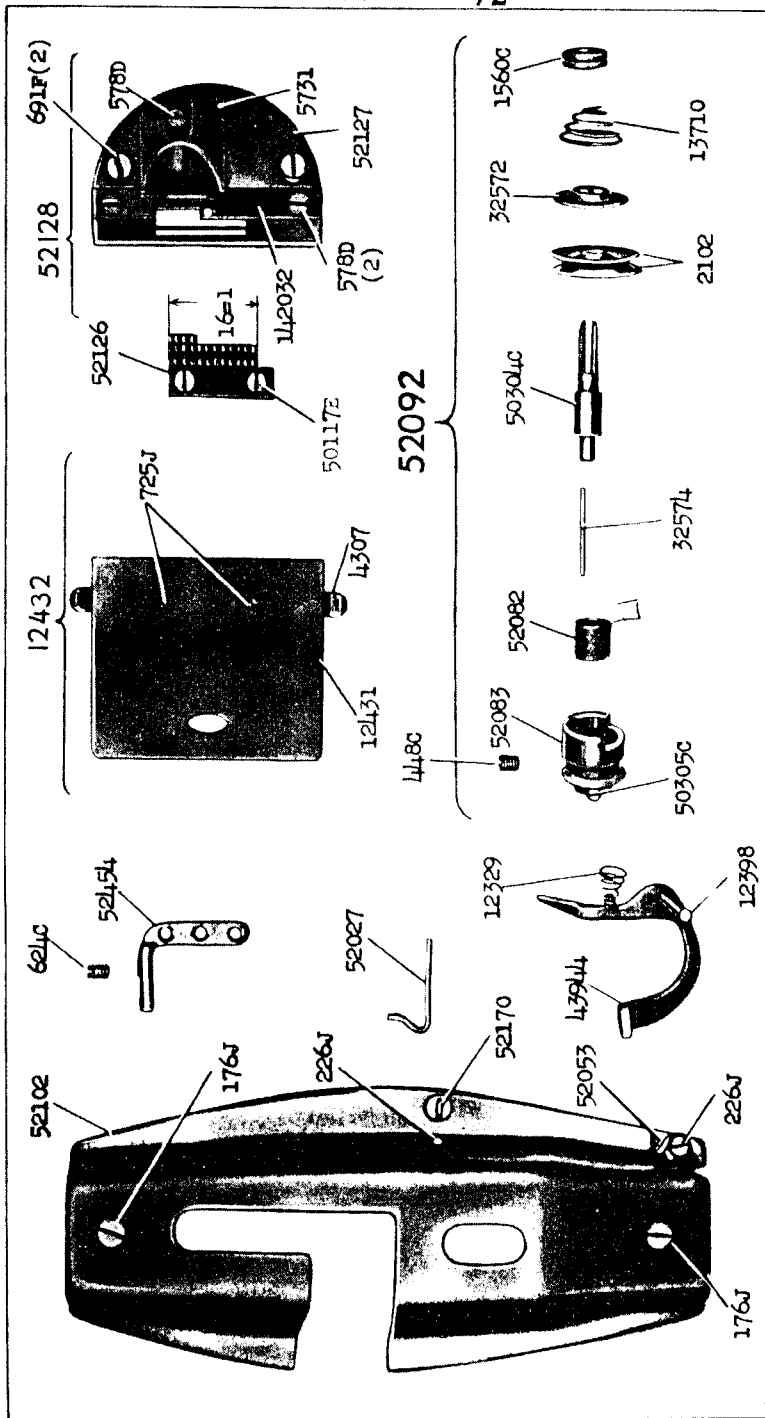
**Needles in Containers marked
"For Singer Machines"
are not Singer made needles. 2**

ILLUSTRATIONS OF PARTS

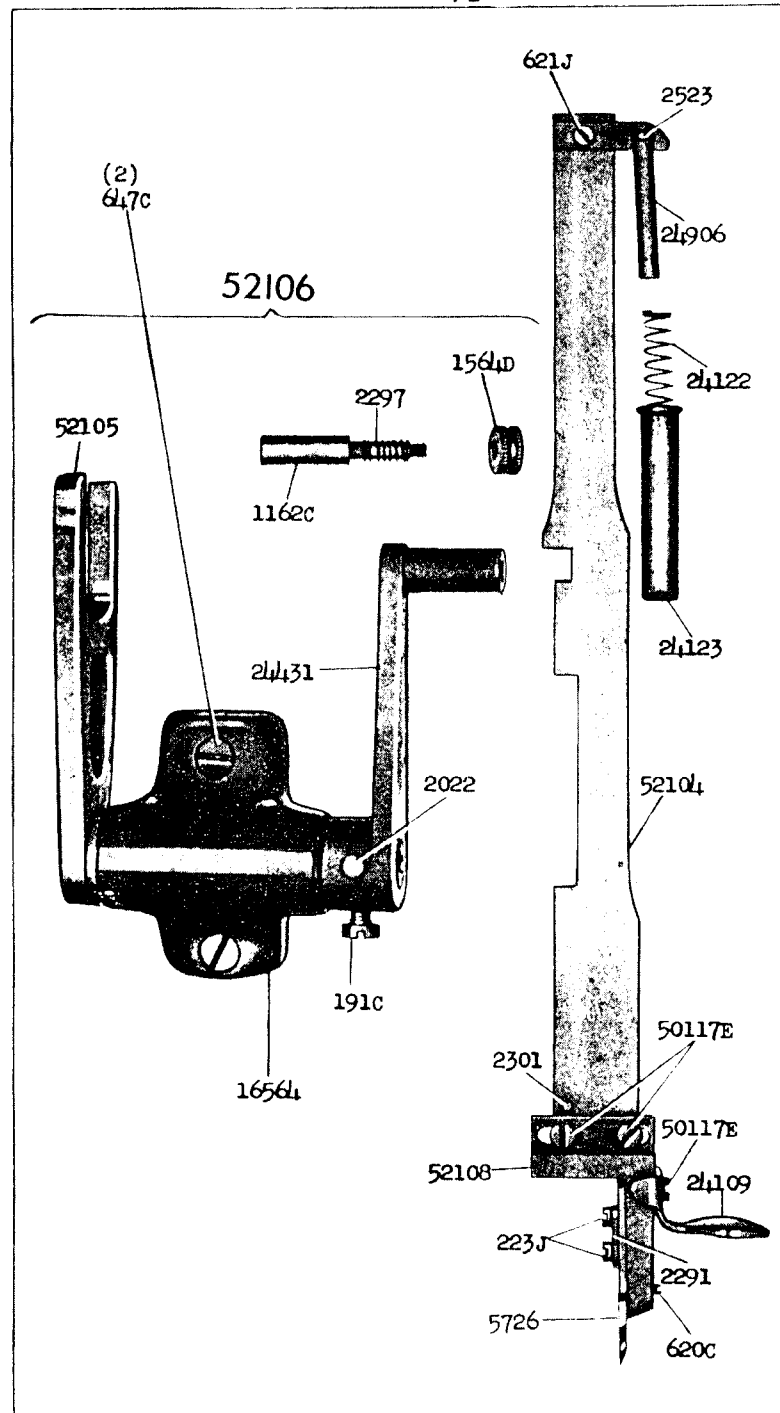
21873 - 1/4



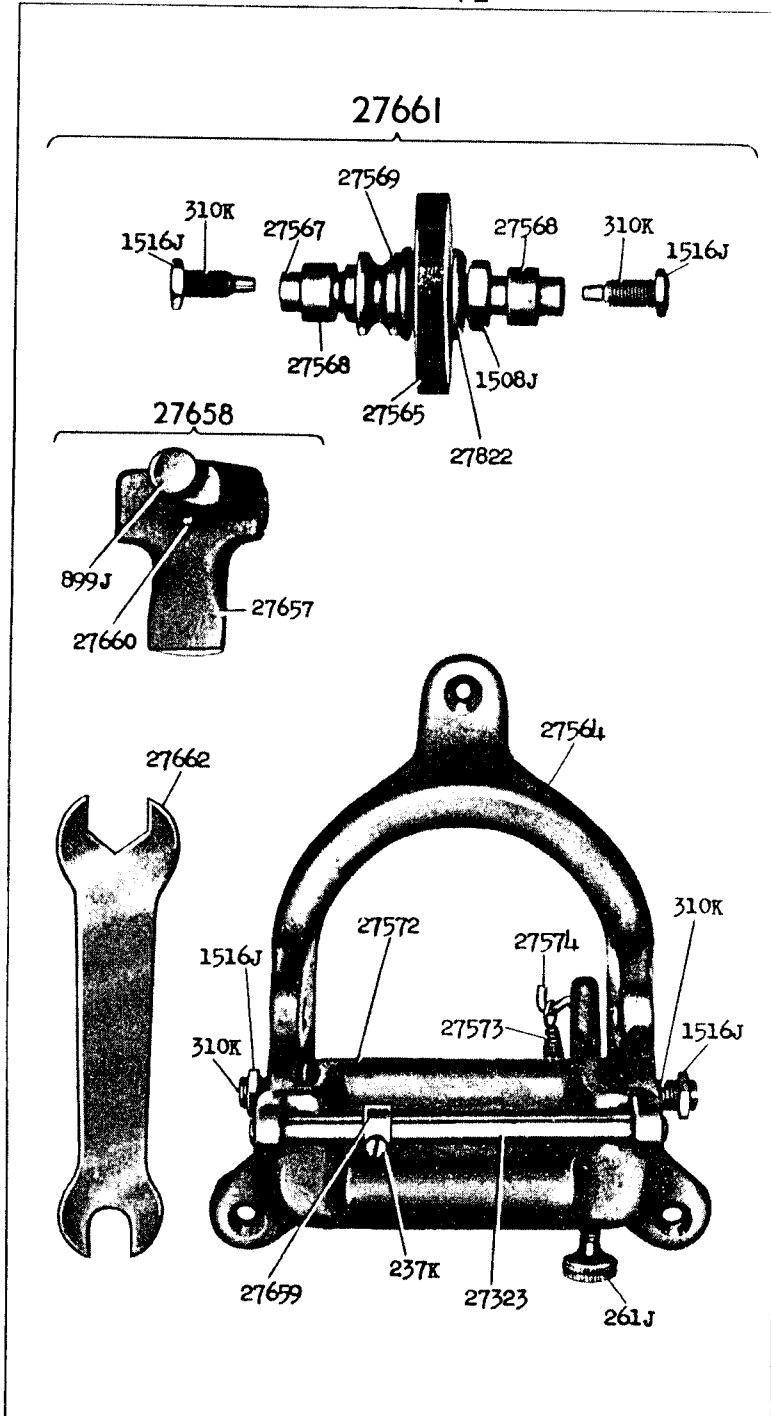
21882 - 1/2



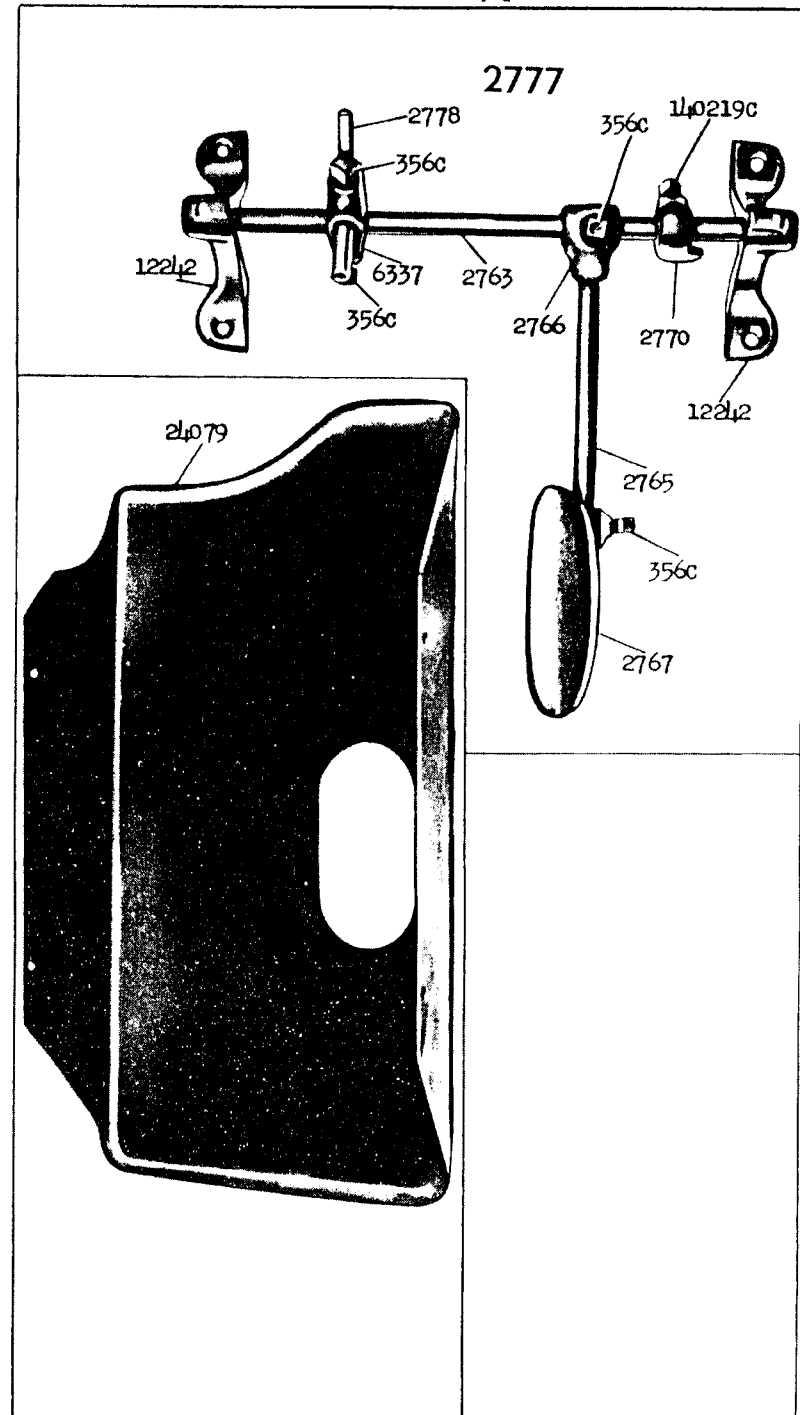
21885 - 2/3



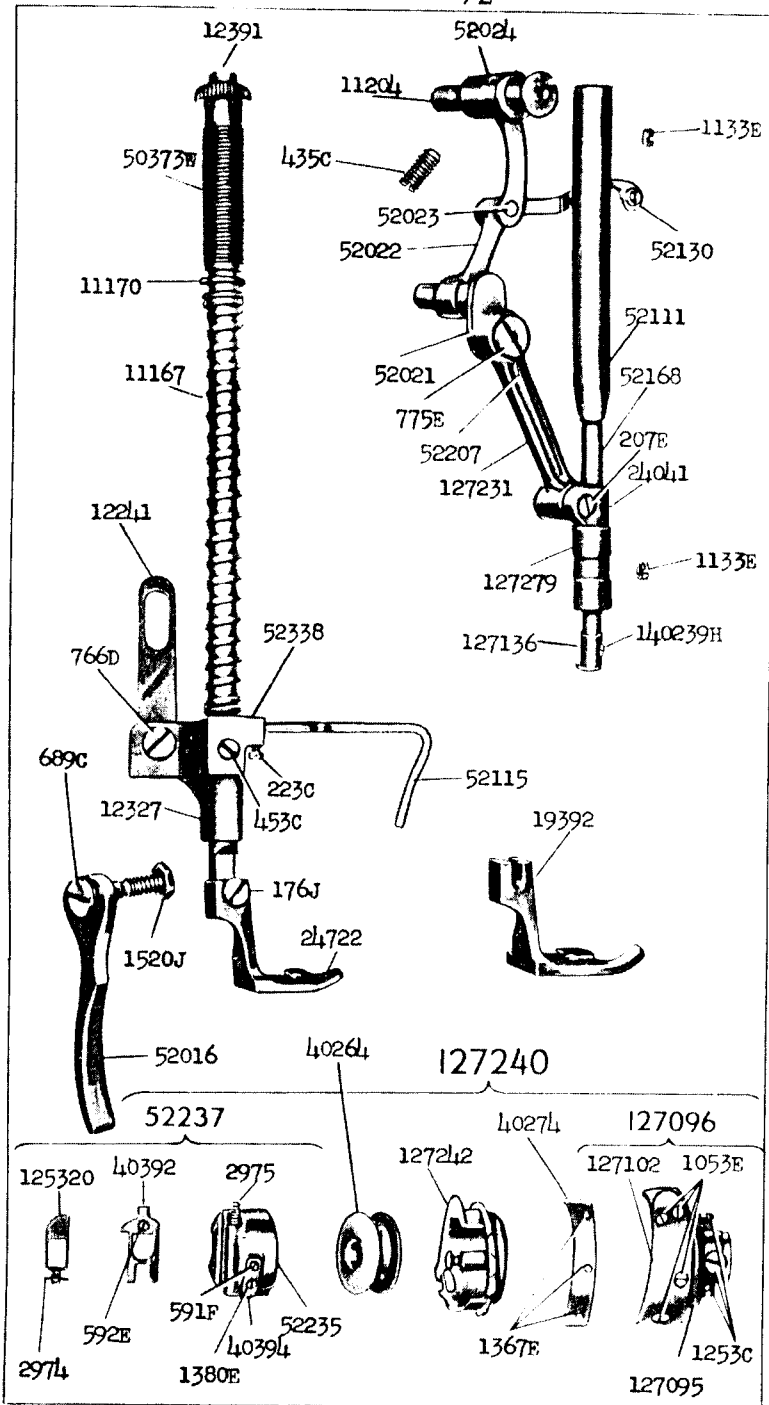
21886 - 1/2



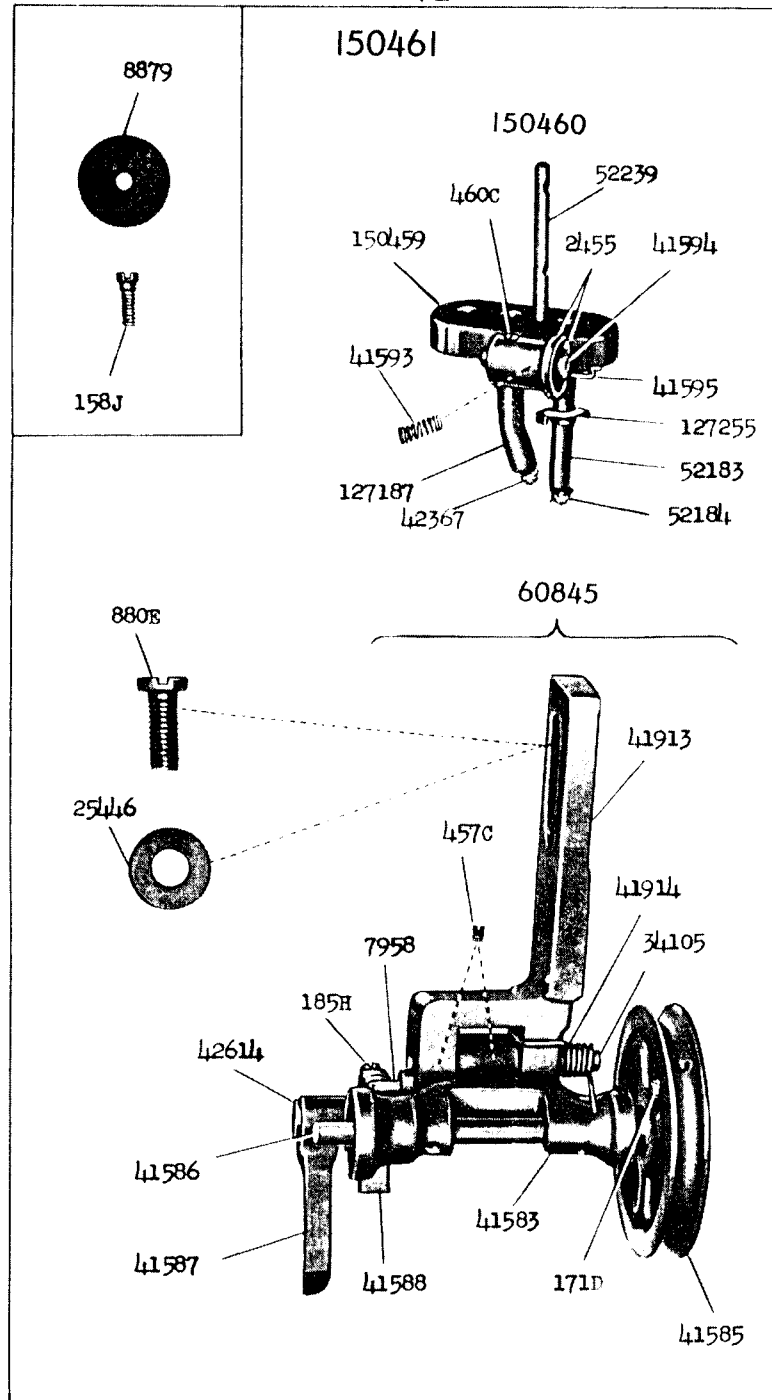
21887 - 1/4



21890 - 1/2

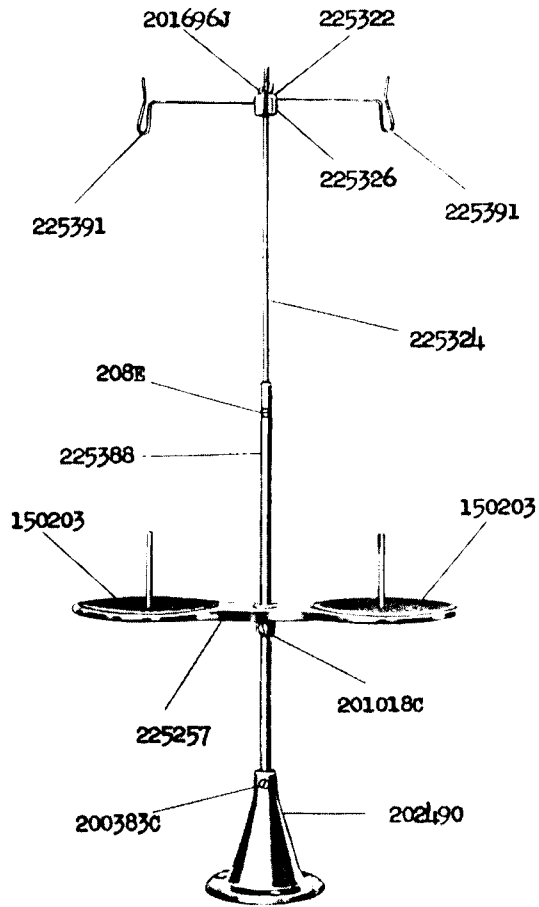


22247 - 1/2



22248 - 1/6

225258



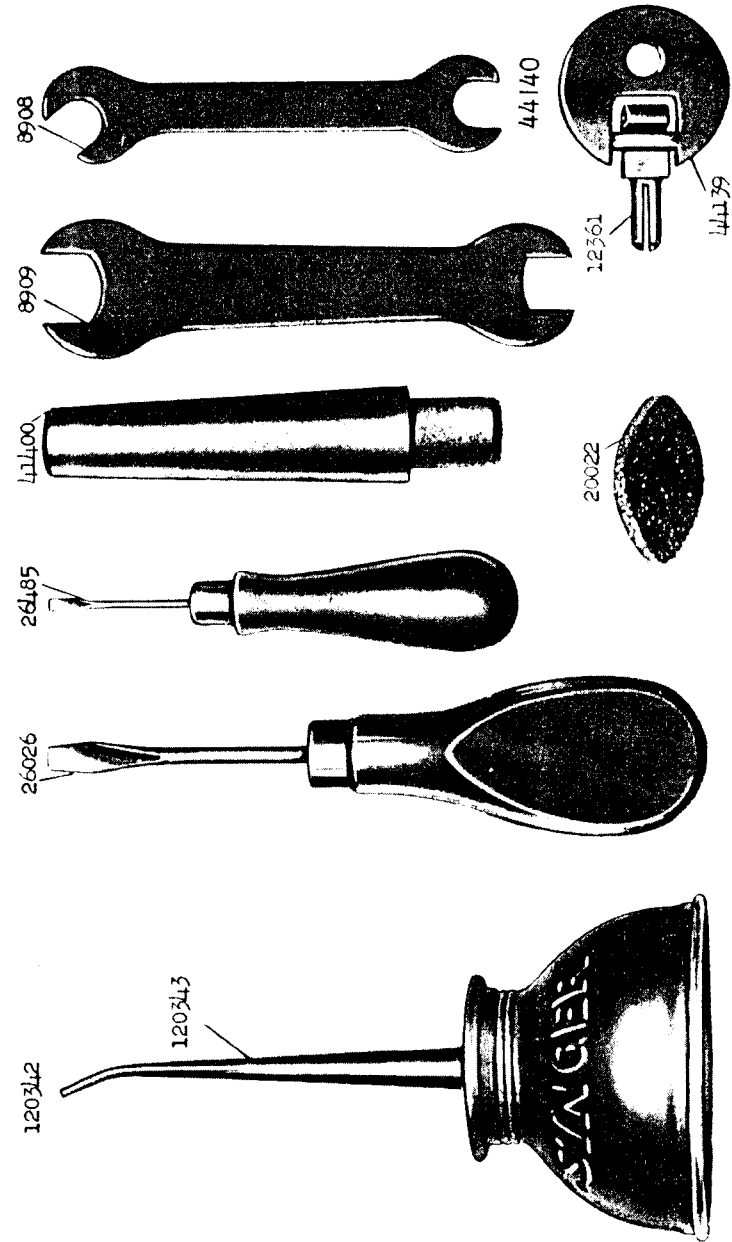
27739



225390

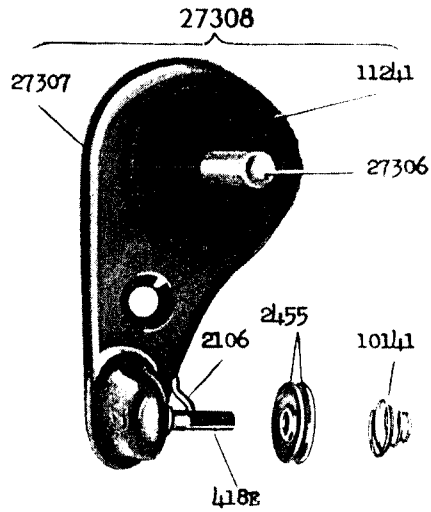


22906 - 1/2

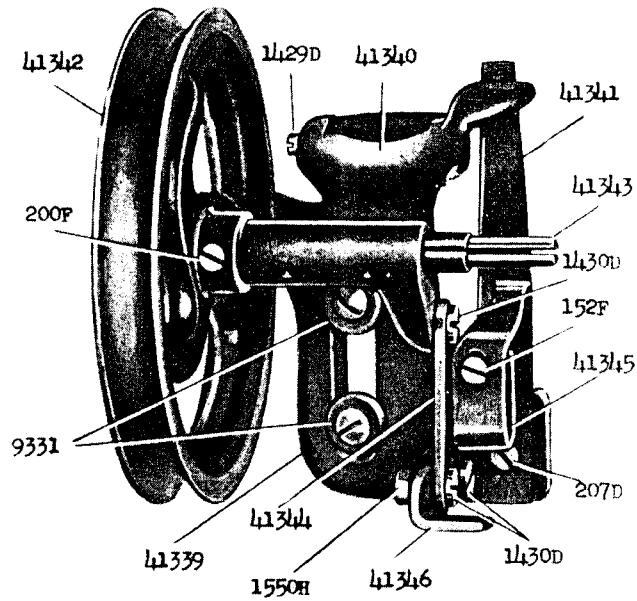


22907 - 2/3

41348

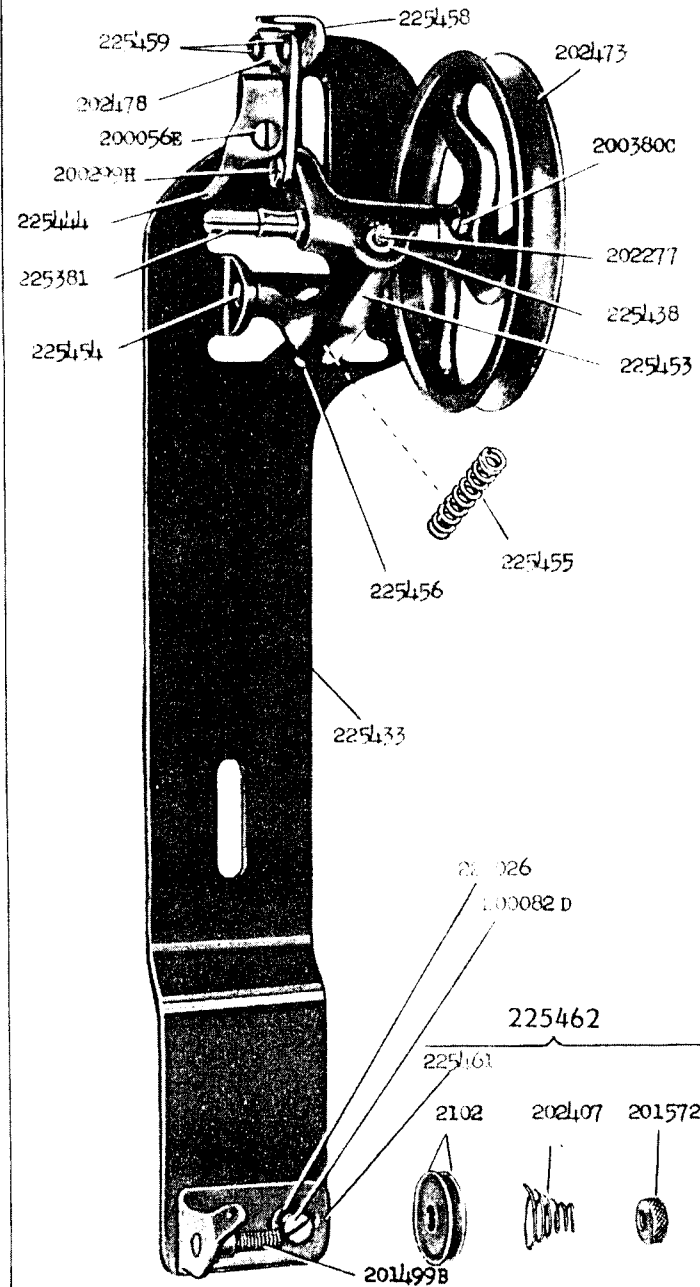


41347

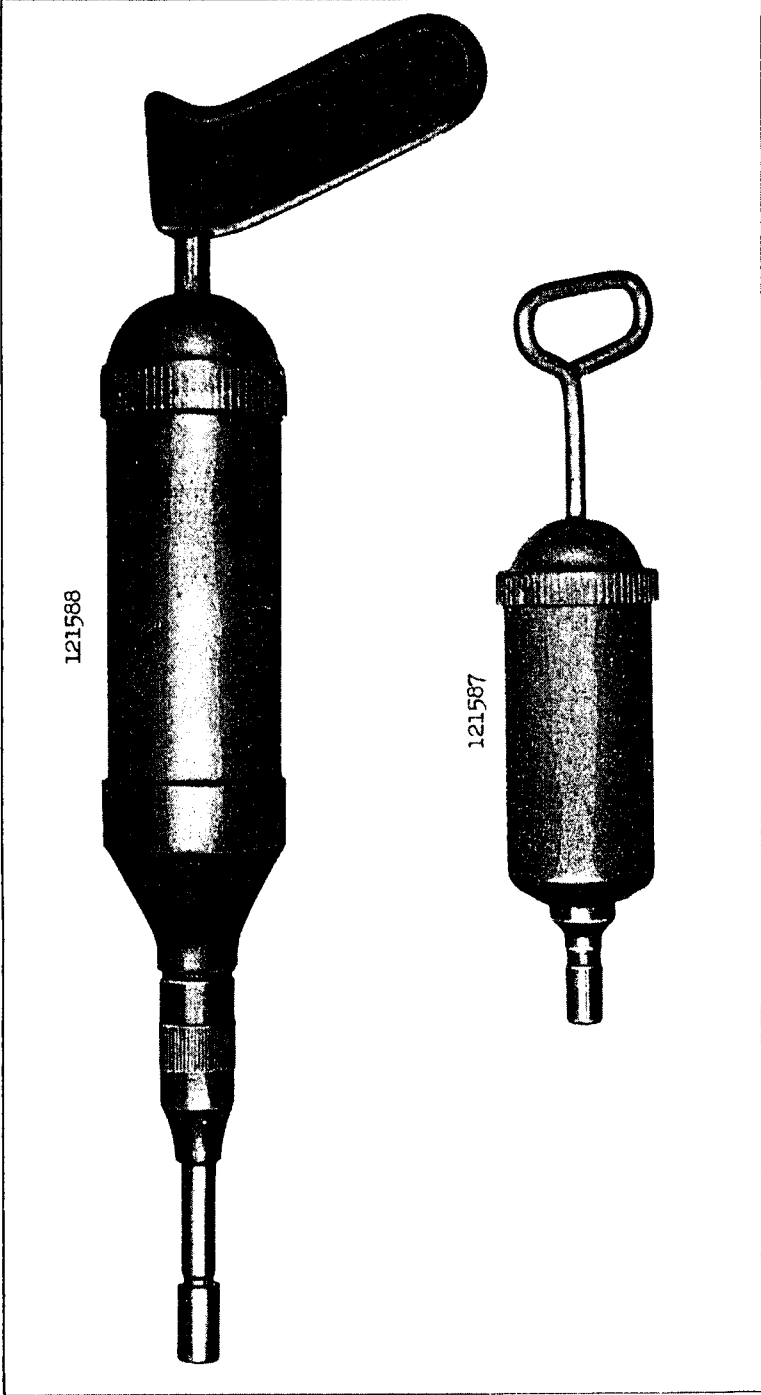


22908 - 2/3

225382



22981 - 1/2



22999 - 2/3

