

# **SINGER**

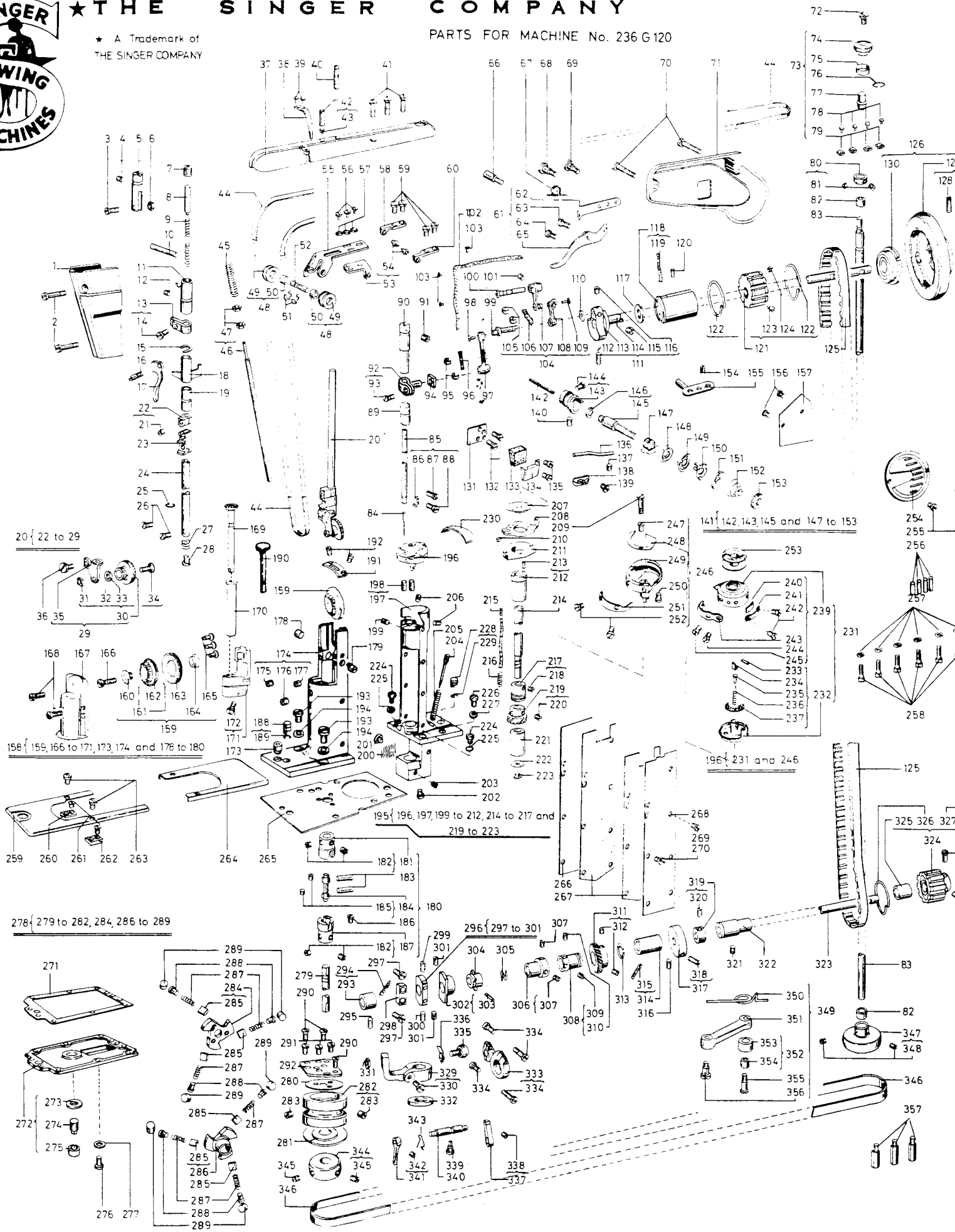
**236G120,122,124,125,130,131,132**



# ★ THE SINGER COMPANY

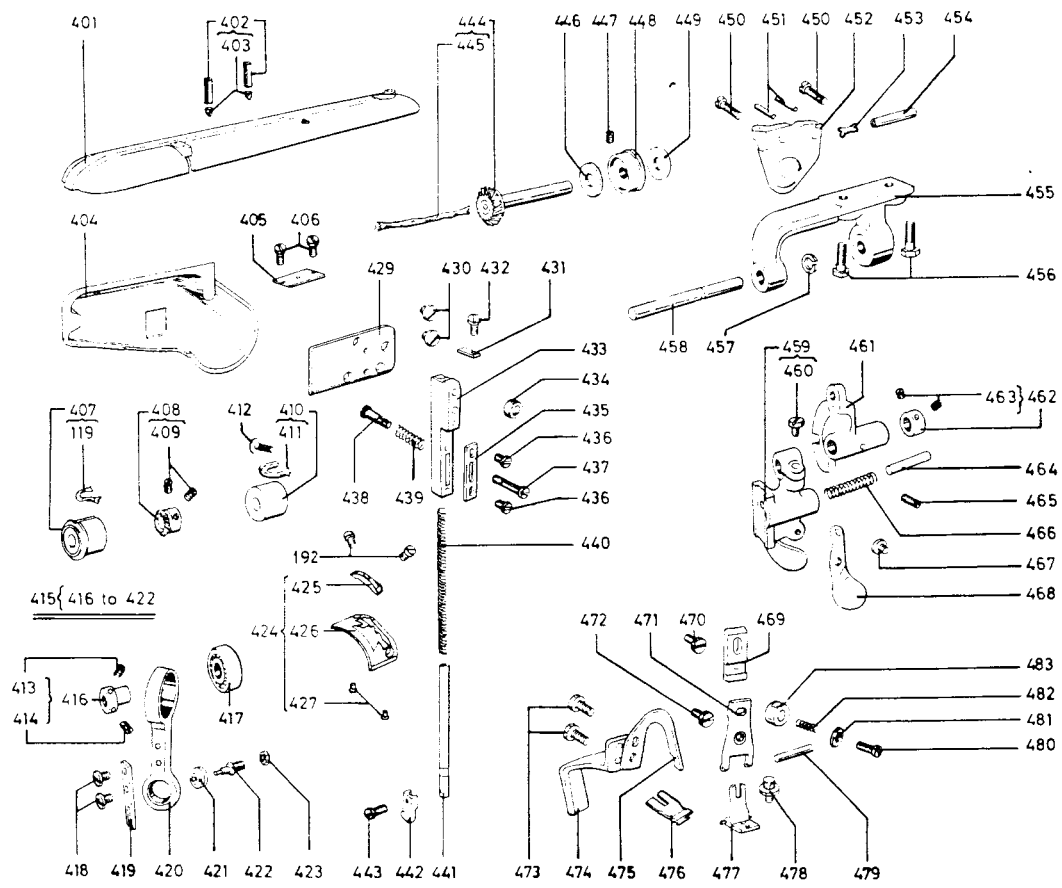
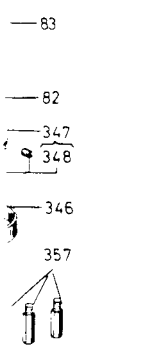
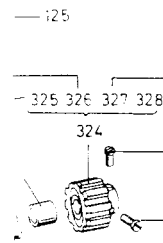
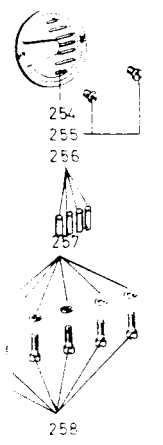
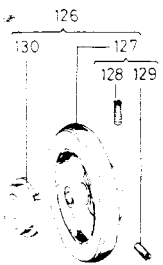
★ A Trademark of THE SINGER COMPANY

## PARTS FOR MACHINE No. 236 G-120



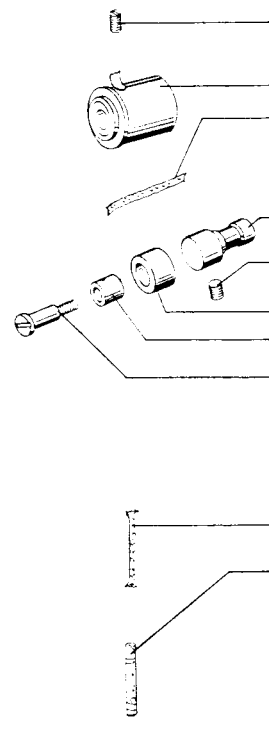
PARTS FOR MACHINE No. 236 G124

Same as Machine No. 236 G120 with the following exceptions.



PARTS FOR MACHINE No. 236 G120

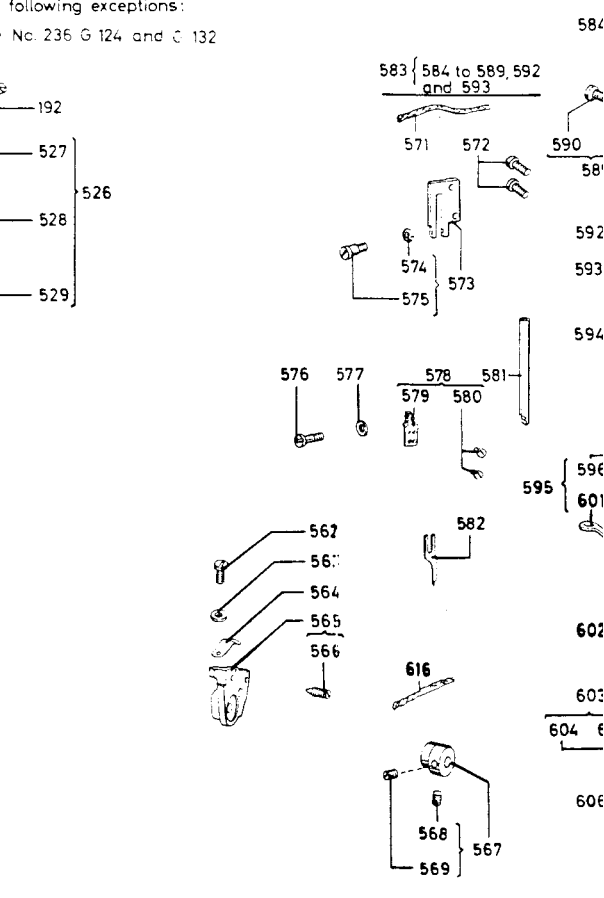
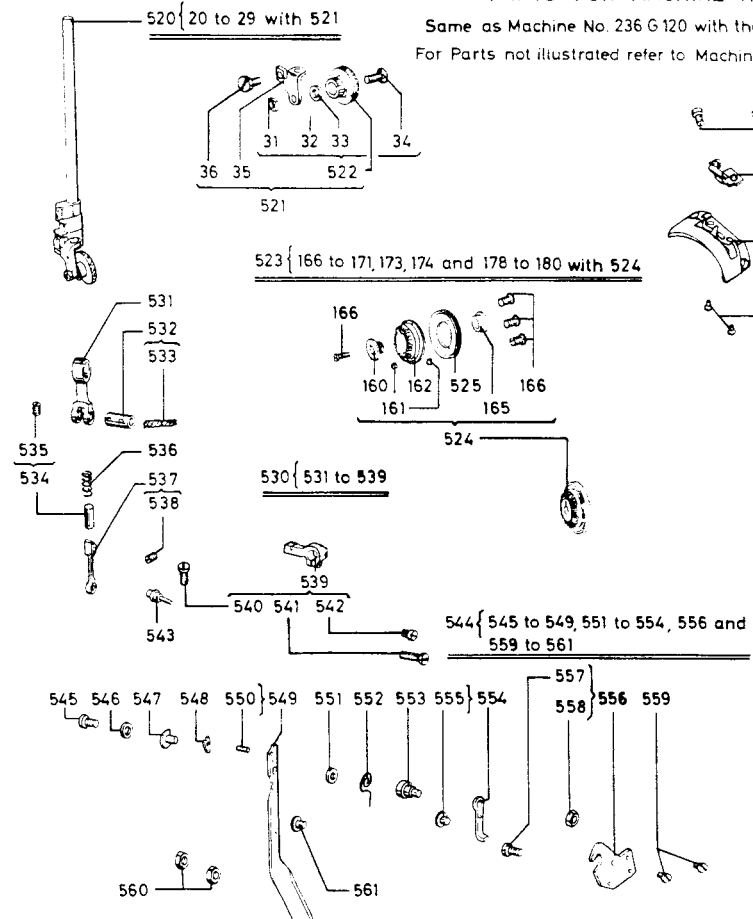
Same as Machine No. 236 G124 with the following exceptions:  
For Parts not illustrated



NOTE: For illustration of Motor

PARTS FOR MACHINE No. 236 G130

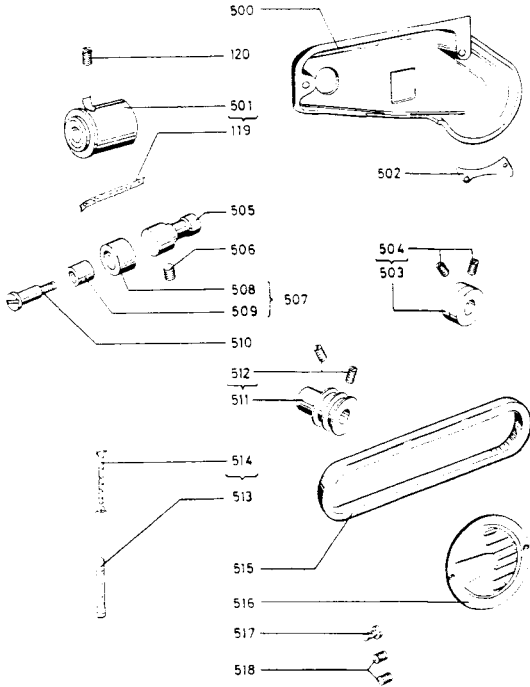
Same as Machine No. 236 G120 with the following exceptions:  
For Parts not illustrated refer to Machine No. 236 G124 and G132



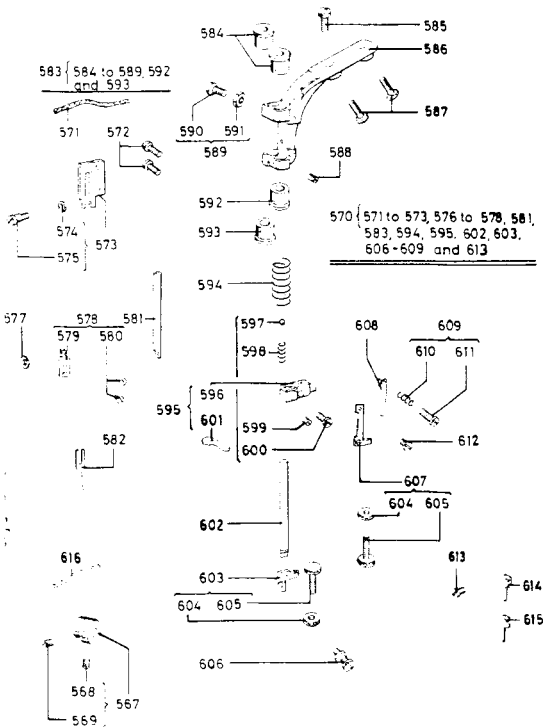
NOTE: For illustration of Motor

**PARTS FOR MACHINE No. 236 G 132**

Same as Machine No. 236 G 120 with the following exceptions:  
For Parts not illustrated refer to Machine No. 236 G 124



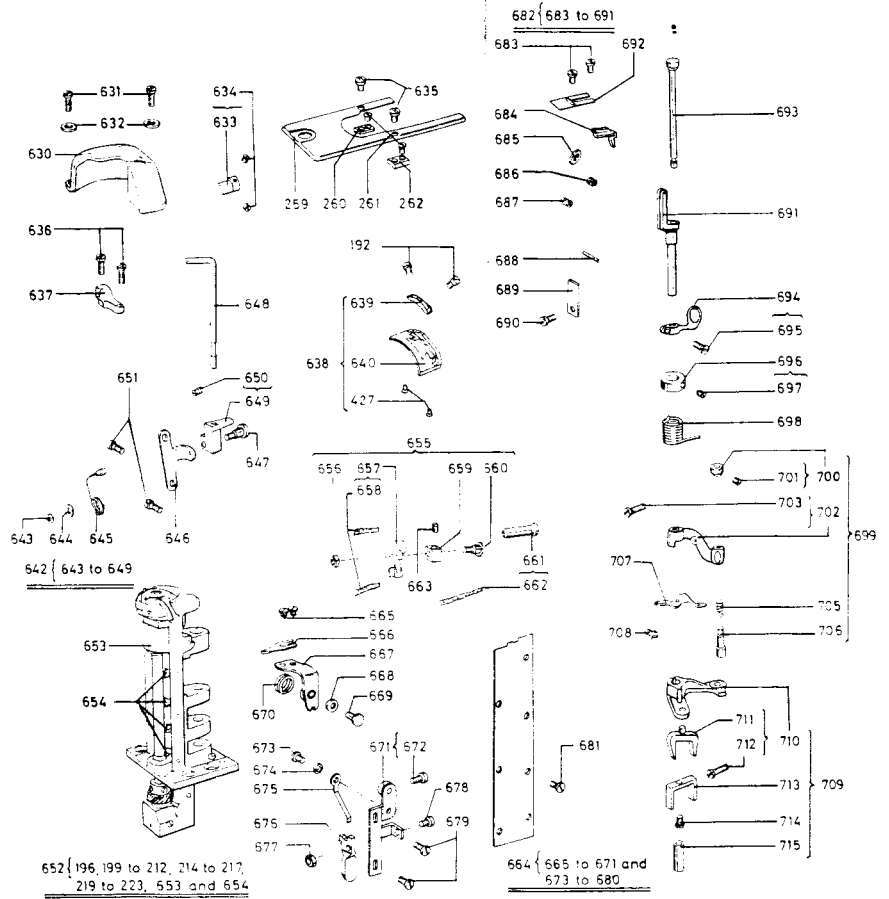
NOTE For illustration of Motor and Motor Control Box, see reverse page



For illustration of Motor and Motor Control Box, see reverse page

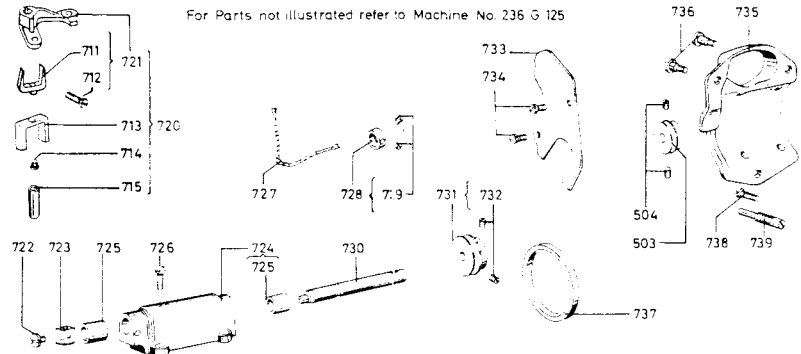
**PARTS FOR MACHINE No. 236 G 125**

Same as Machine No. 236 G 120 with the following exceptions.



**PARTS FOR MACHINE No. 236 G 131**

For Parts not illustrated refer to Machine No. 236 G 125



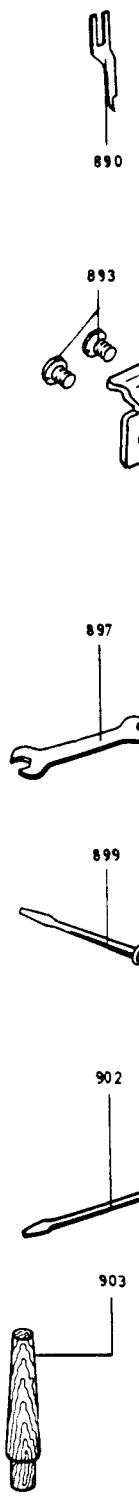
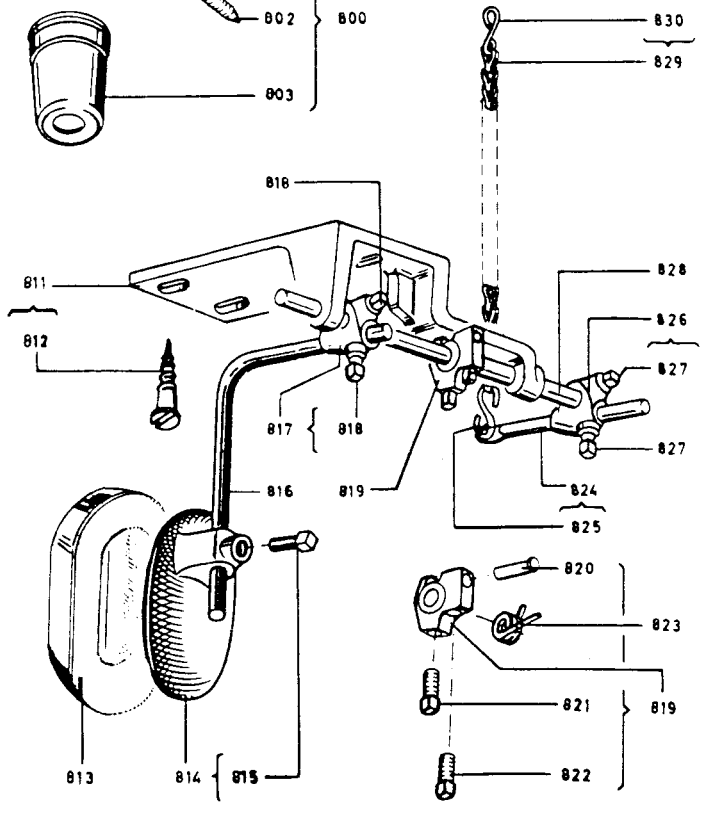
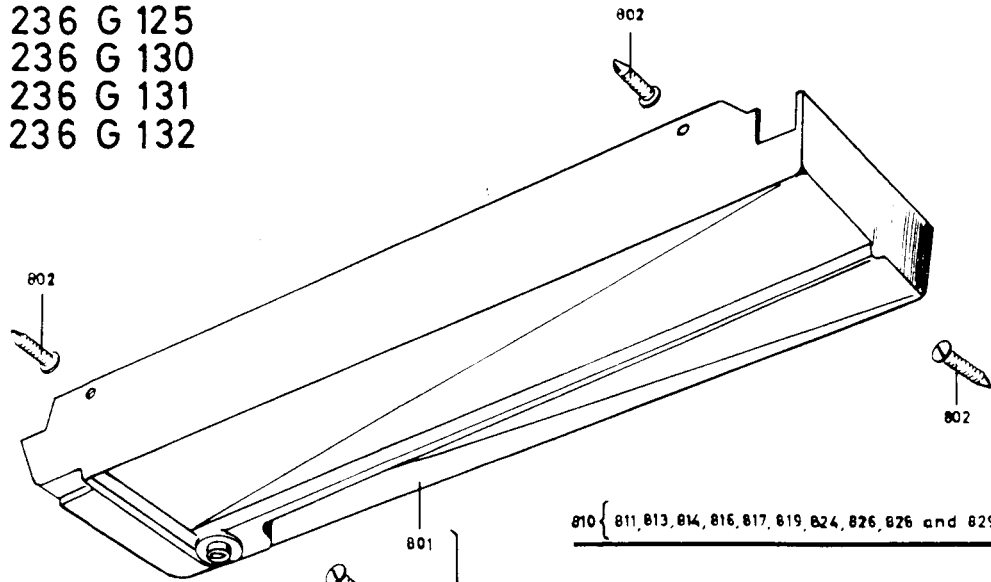
NOTE: For illustration of Motor and Motor Control Box, see reverse page

**SINGER** 236 G 120, 236 G 124, 236 G 125,  
236 G 130, 236 G 131, 236 G 132

# ACCESSORIES

FOR

- 236 G 120
- 236 G 124
- 236 G 125
- 236 G 130
- 236 G 131
- 236 G 132





890



891

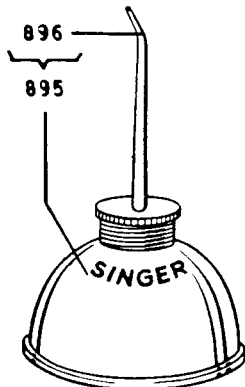
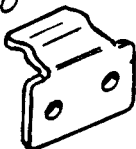


892



893

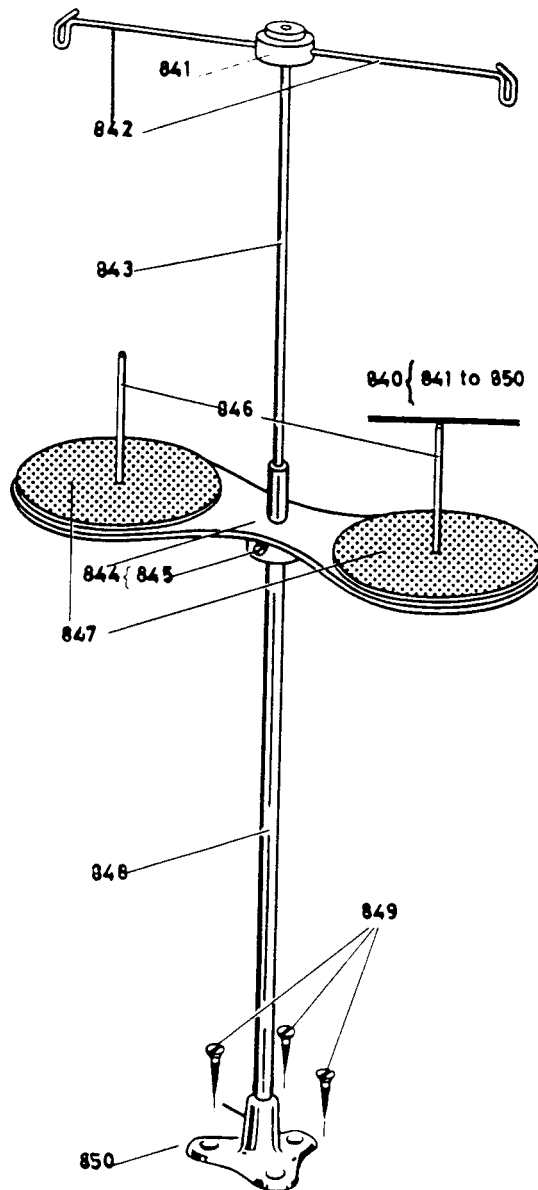
894



896

895

SINGER



841

842

843

840 { 841 to 850

846

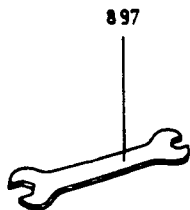
844 { 845

847

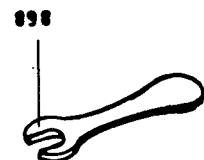
848

849

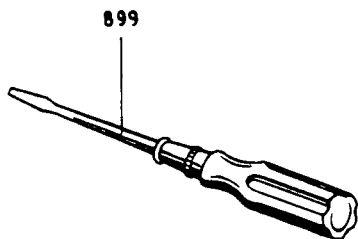
850



897



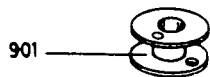
898



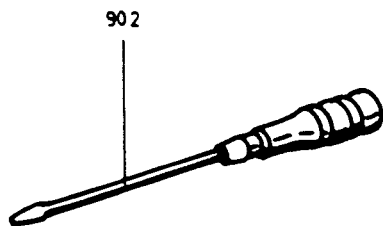
899



900

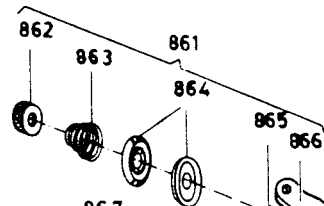


901



902

860 { 861 to 889



862

863

861

864

865

866

867

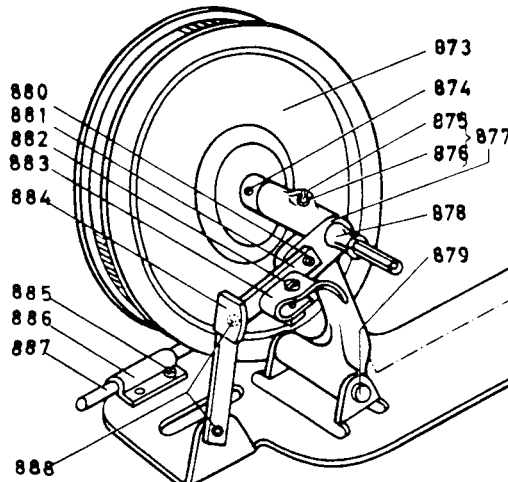
868

869

870

872

871



873

874

875

876

877

878

879

880

881

882

883

884

885

886

887

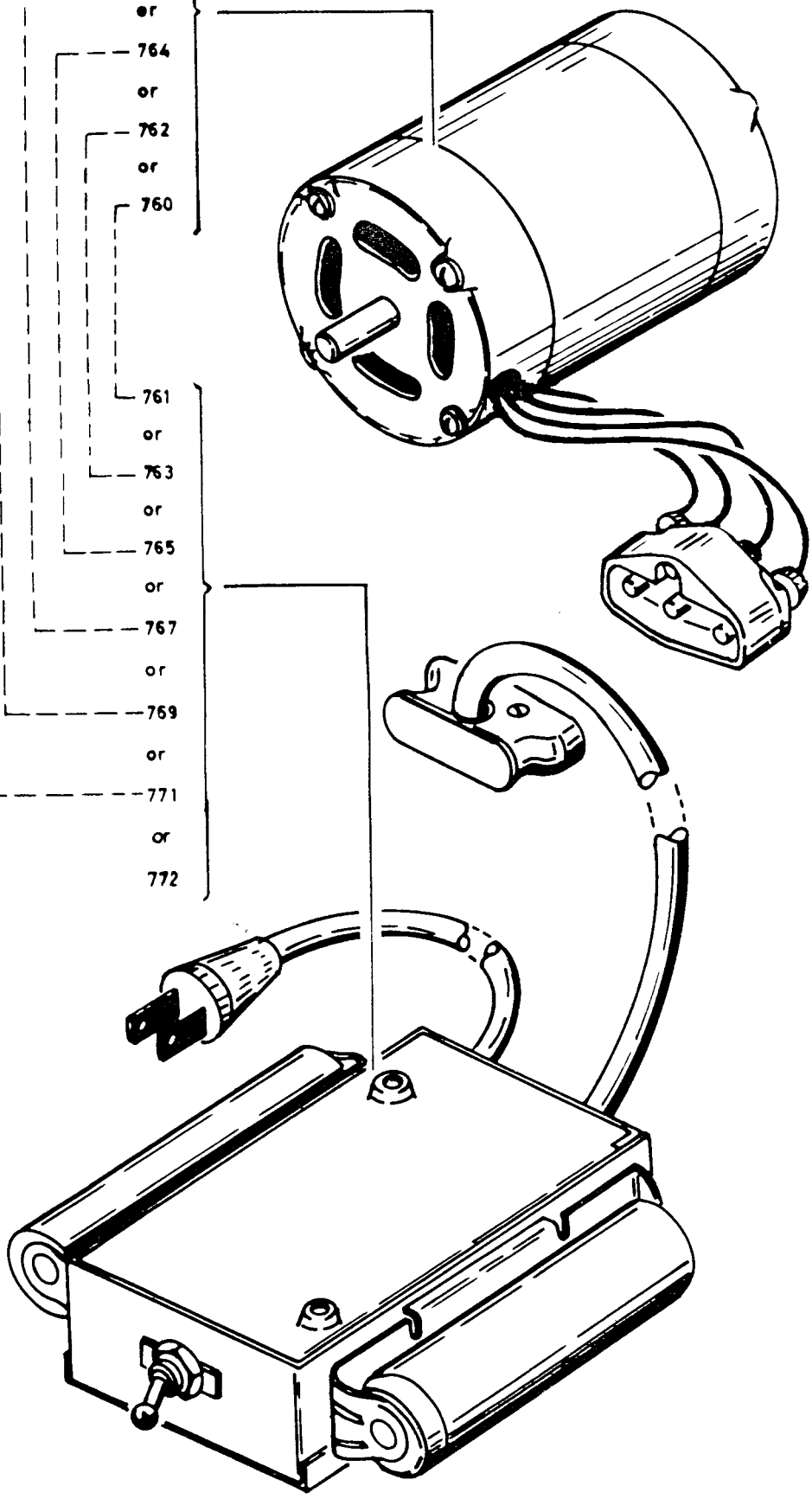
888

903

904



- 770
- or
- 768
- or
- 766
- or
- 764
- or
- 762
- or
- 760
  
- 761
- or
- 763
- or
- 765
- or
- 767
- or
- 769
- or
- 771
- or
- 772







# List of Parts 236G120, 236G124, 236G125,

No.	For Class			Name	Components	Illustr. Ref. No.	Part No.	For Class			
	124	130	132					124	130	132	
509	x			Knife Bar Driving Connection Cpl.	200089, 200069, 200381	632	203411	x	x		Knife
989-803	x			Knife Bar Driving Link Hinge Stud Pinch Screw		633	263703	x			Knife
969-803	x			Knife Bar Driving Connection Hinge Screw		634	200394-803	x			Knife
281-803	x			Knife Bar Driving Connection Set Screw		635	350316-819	x	x		Feed
511	x			Knife Bar Driving Link Hinge Stud		636	129-805	x			Knife
519	x			Knife Control Lever Cpl.	217, 40058, two 200064, 201478, two 201706, two 206482, 263613, 263615, 263616, 263618, 350109	637	263712	x			Knife
						638	263853	x	x		Throat
						639	263852	x	x		Throat
						640	263851	x	x		Throat
478-803	x			Knife Control Lever Position Spring		642	263685	x	x		Knife
				Adjusting Plate Screw							
482	x			Knife Control Lever Position Spring							
				Adjusting Plate Screw Washer		643	201527-805	x	x		Knife
614	x			Knife Control Lever Hinge Stud		644	225837	x	x		Knife
618	x			Knife Control Lever Position Spring		645	263684	x	x		Knife
				Adjusting Plate		646	263683	x	x		Knife
613	x			Knife Control Lever Cpl.	232348	647	200197-803	x	x		Knife
348	x			Knife Control Lever Position Spring		648	263681	x	x		Knife
				Adjusting Plate Pin		649	263682	x	x		Knife
482	x			Knife Control Lever Latch Spring Screw Washer		650	200403-803	x	x		Knife
958	x			Knife Control Lever Latch Spring		651	808-831	x	x		Knife
109-803	x			Knife Control Lever Latch Hinge Screw		652	263867	x	x		Hook
615	x			Knife Control lever Latch Cpl.	200316						
316-803	x			Knife Control Lever Latch Spring Stop Screw							
516	x			Knife Control Lever Plate Cpl.	201537, 350615						
515-803	x			Knife Control Lever Latch Adjusting Screw							
537-819	x			Knife Control Lever Latch Adjusting Screw Nut							
964-819	x			Knife Control Lever Plate Screw (2)							
706-819	x			Knife Control Lever Plate Screw Nut (2)							
217-805	x			Knife Control Lever Latch Spring Screw		653	263866	x	x		Hook
389-803	x			Knife Control Lever Position Spring Screw		654	263093	x	x		Knife
503	x			Knife Control Lever Position Spring Screw Washer		655	263705	x			Knife
517	x			Knife Control Lever Position Spring							
530	x			Knife Driving Shaft Bracket Cpl.	200417	656	201531-819	x			Knife
417-803	x			Knife Control Lever Hinge Stud Set Screw							Hinge
525	x			Knife Driving Eccentric Cpl.	200365, 201052	657	263704	x			Knife
952-833	x			Knife Driving Eccentric Set Screw		658	263708	x			Knife
365-803	x			Knife Driving Eccentric Position Screw		659	249282	x			Knife
503	x			Bracket (underedge) Cpl.	Two 200028, 200094, 200577, 200904, 202603, 204233, 204361, 204365, 241633, 248895, 248880, 248881, 248882, 263608, 263610, 263612, 263633, 267263, 350302	660	200243-803	x			Knife
						661	263706	x			Hinge
						662	263707	x			Knife
						663	200403-803	x			Knife
						664	263868	x	x		Knife
263	x			Knife Bar Position Guide Oiling Wick							Knife
328-804	x			Knife Bar Position Guide Screw (2)							Knife
512	x			Knife Bar Position Guide Cpl.	200031, 201534						Knife
534-819	x			Knife Bar Position Guide Pinch Screw Nut							Knife
931-819	x			Knife Bar Position Guide Pinch Screw		665	990-804	x	x		Edge
994-806	x			Knife Holder Screw		666	241732	x	x		Edge
503	x			Knife Holder Screw Washer		667	263861	x	x		Edge
633	x			Knife Holder Cpl.	Two 200126, 263632	668	206840	x	x		Edge
632	x			Knife Holder		669	263656	x	x		Edge
126-806	x			Knife Screw (2)		670	263864	x	x		Edge
608	x			Knife Bar		671	263865	x	x		Edge
929	x			Knife		672	140105-803	x	x		Edge
895	x			Bracket (underedge) Cpl.	200077, 200888, 201142, 204411, 248894, three 248896	673	1443-806	x	x		Edge
						674	7071-806	x	x		Edge
						675	263863	x	x		Edge
						676	263862	x	x		Edge
896	x			Knife Bar Bushing (2)		677	1735-819	x	x		Edge
027-804	x			Knife Bar Bushing Screw		678	86-803	x	x		Edge
894	x			Bracket (underedge)		679	808-831	x	x		Edge
614-850	x			Bracket (underedge) Screw (2)		681	51023-802	x	x		Feed
142-803	x			Guide Finger Clamp Bar Bushing Set Screw		682	263667	x	x		Knife
888	x			Knife Bar Sleeve Set Screw Cpl.	200043, 201524						
043-803	x			Knife Bar Sleeve Set Screw							
524-805	x			Knife Bar Sleeve Set Screw Nut							
411	x			Knife Bar Sleeve		683	200169-819	x	x		Knife
896	x			Guide Finger Clamp Bar Bushing		684	263665	x	x		Knife
365	x			Guide Finger Clamp Bar Spring		685	263840	x	x		Knife
633	x			Guide Finger Clamp Bar Position Guide Cpl.	241625, 241626						
625	x			Guide Finger Clamp Bar Position Guide Cpl.	36737, 200078, 200387, 204389	686	350355-803	x	x		Packin
						687	463-830	x	x		Knife
737	x			Guide Finger Disengaging Lever Friction Ball		688	263669	x	x		Knife
389	x			Guide Finger Disengaging Lever Friction Ball Spring		689	263670	x	x		Knife
						690	350238-804	x	x		Knife
387-803	x			Guide Finger Clamp Bar Position Guide Set Screw		691	263666	x	x		Knife
078-819	x			Guide Finger Clamp Bar Position Guide Pinch Screw		692	238508	x	x		Knife
626	x			Guide Finger Disengaging Lever		693	263688	x	x		Knife
881	x			Guide Finger Clamp Bar		694	263686	x	x		Knife
880	x			Guide Finger Bracket Cpl.	1724, 201217	695	200061-833	x	x		Knife
724-805	x			Guide Finger Clamp Bar Stop Adjusting Screw Thumb Nut (2)		696	214833	x	x		Knife
217-804	x			Guide Finger Clamp Bar Stop Adjusting Screw (2)		697	200380-803	x	x		Knife
302-806	x			Guide Finger Bracket Screw							Collar
882	x			Guide Finger Clamp Bar Position Guide Slide Cpl.	1724, 201217	698	263668	x	x		Knife
361	x			Guide Finger Clamp Bar Latch		699	263676	x	x		Knife
233	x			Guide Finger Clamp Bar Latch Spring Cpl.	200802, 204230						
230	x			Guide Finger Clamp Bar Latch Spring		700	201725	x	x		Knife
802-805	x			Guide Finger Clamp Bar Latch Hinge Screw							Springs
577-830	x			Guide Finger Clamp Bar Position Guide Slide Screw		701	200389-803	x	x		Knife
904-804	x			Guide Finger Screw		702	263674	x	x		Knife
878	x			Guide Finger		703	200048-803	x	x		Knife
879	x			Guide Finger with projection to guard Knife (furnished in place of 248878 if specified on order)		705	241721	x	x		Knife
046	x			Knife Driving Shaft Oil Wick (in arm)		706	263675	x	x		Knife
						707	263687	x	x		Knife
						708	200284-804	x	x		Knife
						709	263715	x			Knife
						710	263714	x			Knife
577	x	x		Knife Driving Lever Guard		*711	249288	x	x		Knife
356-805	x	x		Knife Driving Lever Guard Screw (2)							

# 36G130, 236G131 and 236G132 to SINGER Form 30-306G (1265)

Name	Components	Illustr. Ref. No.	Part No.	For Class			Name
				124	130	132	
ing Lever Guard Screw Washer (2)		712	200048-803	x	x		Knife Driving Fork Lever (lower) Pinch Scr
ing Eccentric Cpl.	Two 200394	713	24173	x	x		Knife Driving Lever Fork Swivel
ing Eccentric Set Screw (2)		714	104-804	x	x		Knife Driving Lever Fork Swivel Screw
Base Cover Screw (2)		715	241738	x	x		Knife Driving Fork Lever (lower) Shaft
ing Lever (upper) Stop Bracket Screw (2)							
ing Lever (upper) Stop Bracket Cpl.	Two 141584, 263851, 263852	720	263673		x		Knife Driving Fork Lever (lower) Cpl.
te Needle Plate		721	263672		x		Knife Driving Fork Lever (lower) with
te Body		722	200102-803		x		Knife Driving Lever Fork Slide Block
d Holder Cpl.	200197, 201527, 225837, 263681, 263682, 263683, 263684	723	249289		x		Cap Screw
d Holder Hinge Screw Nut		724	263680		x		Knife Driving Lever Fork Slide Block
d Holder Hinge Screw Washer		725	263679		x		Knife Driving Shaft Housing with
d Holder Spring		726	129-805		x		Knife Driving Shaft Bearing (2)
d Holder Bracket		727	249298		x		Knife Driving Shaft Housing Screw (4)
d Set Screw							Knife Driving Lever Fork Slide Block
d		728	249292		x		Oiling Wick
d Holder Cpl.	200403	729	200386-830		x		Knife Driving Shaft Collar with
d Set Screw		730	263678		x		Knife Driving Shaft Collar Set Screw (2)
d Holder Bracket Screw (2)		731	249295		x		Knife Driving Shaft (eccentric)
Cpl.	202, 212, two 1448, two 141674, 141580, 200121, 203478, 234426, 263421, 263464, 263476, 263478, 263479, 263480, 263481, 263482, 265522, 263568, 263593, 263594, 263826, 263866, 350611, four 263093	732	200958-803		x		Knife Driving Shaft Pulley Set Screw (2)
with		733	263652		x		Arm Base Cover
ket Arm Oil Packing (wick) (4)		734	200160-805		x		Arm Base Cover Screw (2)
ing Fork Lever Cpl.	200243, 201531, 249282, 263704	735	263689		x		Motor Clamping Bracket
ing Fork Lever Slide Block		736	201083-803		x		Motor Clamping Bracket Screw (short) (2)
w Nut		737	263671		x		Knife Driving Belt
ing Fork Lever Oiling Wick (2)		738	200006-803		x		Motor Clamping Bracket Screw (long)
ing Fork Lever Slide Block		739	350617-803		x		Motor Adjusting Screw
ing Fork Lever Slide Block							
w		760	713604-005				Motor TK 151 (105-125 Volts, 50 Cycles)
ing Fork Lever Cpl.	Two 263708	761	995536-001				Motor Control Box with two wood screws
ing Fork Lever Oiling Wick (2)		762	713604-002				1/2 in. No. 12 R.H.B. for Motor TK 151
ing Fork Lever Slide Block		763	995536-002				Motor TK 157 (210-250 Volts, 50 Cycles)
ing Fork Lever Slide Block							Motor Control Box with two wood screws
w							1/2 in. No. 12 R.H.B. for Motor TK 157
ing Fork Lever Hinge Stud Cpl.	263707	764					Motor TK 167 (210-250 Volts, 60 Cycles)
ing Fork Lever Hinge Stud		765	995536-002				Motor Control Box with two wood screws
k		7					1/2 in. No. 12 R.H.B. for Motor TK 167
ing Fork Lever Hinge Stud		766	713604-004				Motor TK 357 (210-250 Volts, 50 Cycles)
Bracket Cpl.	86, 1735, 1443, 7071, 206840, 241732, 263656, 263862, 263863, 263864, 263865, 263861, two 990	767	995630-001				Motor Control Box with two wood screws
Screw (2)		768	713604-003				1/2 in. No. 12 R.H.B. for Motor TK 357
Bracket		769	995630-001				Motor TK 367 (210-250 Volts, 60 Cycles)
Bracket Hinge Stud Spring Washer		770	713604-001				Motor Control Box with two wood screws
Bracket Hinge Stud		771	995536-001				1/2 in. No. 12 R.H.B. for Motor TK 367
Bracket Release Spring		772	995890-001				Motor TK 161 (105-125 Volts, 60 Cycles)
Bracket Support Cpl.	140105						Motor Control Box with two wood screws
Bracket Hinge Stud Set Screw							1/2 in. No. 12 R.H.B. for Motor TK 161
Bracket Release Lever Spring Screw							Motor Control Box with two wood screws
Bracket Release Lever Spring Washer							1/2 in. No. 12 R.H.B. for Motor TK 161
Bracket Release Lever Spring (flat)							Motor Control Box with two wood screws
Bracket Release Lever							1/2 in. No. 12 R.H.B. for Motor TK 161
Bracket Release Lever Hinge Screw Nut							Motor Control Box with two wood screws
Bracket Release Lever Hinge Screw							1/2 in. No. 12 R.H.B. for Motor TK 161
Bracket Support Screw (2)							Motor Control Box with two wood screws
ook Post Cover (back or front) Screw (4)							1/2 in. No. 12 R.H.B. for Motor TK 161
ket Arm Cpl.	463, two 200169, 263665, 263666, 263669, 263670, 263840, 350238, 350355						Motor Control Box with two wood screws
w (2)							1/2 in. No. 12 R.H.B. for Motor TK 161
cket							Motor Control Box with two wood screws
cket Adjusting Screw Lock Screw							1/2 in. No. 12 R.H.B. for Motor TK 161
ylon)							Motor Control Box with two wood screws
cket Adjusting Screw							1/2 in. No. 12 R.H.B. for Motor TK 161
cket Adjusting Screw Lock Screw							Motor Control Box with two wood screws
cket Hinge Pin							1/2 in. No. 12 R.H.B. for Motor TK 161
cket Spring							Motor Control Box with two wood screws
cket Spring Screw							1/2 in. No. 12 R.H.B. for Motor TK 161
cket Arm							Motor Control Box with two wood screws

## For Information

*263401	x	x	x		Arm
*263776		x			Arm
*263600			x	x	Arm
*263402	x	x	x	x	Arm Base
*263651				x	Arm Base
*263413	x	x	x	x	Bed
*263701			x		Bed
*508336-048	x				Variety Plate
*508336-049		x			Variety Plate
*508336-050			x		Variety Plate
*508336-051				x	Variety Plate
*508336-052				x	Variety Plate
*508336-053				x	Variety Plate
228485	x	x	x	x	Variety Plate Drive Screw (2)

Parts marked with an asterisk (\*) are furnished only when repairs are made at the factory.

## Accessories

Name	Components	Illustr. Ref. No.	Part No.	For Class			Name
				124	130	132	
ing Lever (upper) Locking Plunger		800	228884	x	x	x	Drip Pan (plastic) Cpl.
mb Nut Cpl.							
ing Lever (upper) Locking Plunger		801	228882	x	x	x	Drip Pan
mb Nut Set Screw		802	---	x	x	x	Wood Screw 1/2 in. No. 4 R.H.B. (4)
ing Lever (upper) Cpl.	200048	803	228883	x	x	x	Drip Pan Drain Jar
ing Lever (upper) Pinch Screw		810	228884	x	x	x	Knee Lifter Rock Shaft Cpl.
ing Lever (upper) Locking Plunger							
ing Lever (upper) Locking Plunger							
ch-out Lever		811	228843	x	x	x	Rock Shaft Bracket with
ch-out Lever Hinge Screw		812	---	x	x	x	Wood Screw 1 in. No. 10 F.H.B. (3)
ing Lever (lower) Cpl.	104, 24173, 263714	813	150668	x	x	x	Rock Sh ft Knee Plate Pad (rubbr)
ing Fork Lever (lower) Cpl.	200048, 249288	814	228364	x	x	x	Rock Shaft Knee Plate with
ing Lever Fork		815	350231-803	x	x	x	Rock Shaft Knee Plate Set Screw

Components	Illustr. Ref. No.	Part No.	For Class			Name	Components
			124	130	132		
			120	125	131		
						<u>Knee Lifter</u>	
	816	228388	x	x	x	Rock Shaft Knee Plate Arm	
	817	228685	x	x	x	Rock Shaft Knee Plate Arm Bracket with	two 356
	818	356-803	x	x	x	Rock Shaft Knee Plate Arm Bracket Set Screw (2)	
	819	228844	x	x	x	Rock Shaft Stop Bracket with	350, 356, 228367
	820	228367	x	x	x	Rock Shaft Stop Stud	
	821	356-803	x	x	x	Set Screw	
104, 24173, 263672 200048, 249288	822	350-803	x	x	x	Rock Shaft Stop Stud Set Screw	
	823	228845	x	x	x	Rock Shaft Stop Bracket Spring	
	824	39811	x	x	x	Rock Shaft Lifting Bracket Extension with	39576
	825	39576	x	x	x	Rock Shaft Lifting Chain Hook (lower)	
Two 263679	826	6337	x	x	x	Rock Shaft Lifting Bracket with	two 356
	827	356-803	x	x	x	Rock Shaft Lifting Bracket Set Screw (2)	
	828	2763	x	x	x	Rock Shaft	
	829	227676	x	x	x	Rock Shaft Lifting Chain, 18 in. long, with	202784
200386	830	202784	x	x	x	Rock Shaft Lifting Chain Hook (upper)	
						<u>Thread Unwinder</u>	
	840	228776	x	x	x	Thread Unwinder Cpl.	228766, 228767, 228768, 228770, 228774, two 150203, two 228764, two 228769, three wood screws 7/8 in. No. 12
Two 200958	841	228770	x	x	x	Thread Unwinder Thread Guide Holder	
	842	228769	x	x	x	Thread Unwinder Thread Guide (2)	
	843	228774	x	x	x	Thread Unwinder Thread Guide Rod	
	844	228766	x	x	x	Thread Unwinder Spool Rest with	201254
	845	201254-803	x	x	x	Thread Unwinder Spool Rest Set Screw	
	846	228764	x	x	x	Thread Unwinder Spool Pin (2)	
	847	150203	x	x	x	Thread Unwinder Spool Rest Cushion (felt)(2)	
	848	228767	x	x	x	Thread Unwinder Spool Rest Rod	
	849	-----	x	x	x	Thread Unwinder Wood Screw 7/8 in. No. 12 (3)	
	850	228768	x	x	x	Thread Unwinder Spool Stand	
						<u>Universal Bobbin Winder</u>	
	860	259462	x	x	x	Universal Bobbin winder Cpl.	200056, 200082, 200113, 200299, 202478, 225381, 225444, 225453, 225454, 225455, 225456, 225458, 225462, 228026, 259428, 259429, 259662, 259930, two 225459, two wood screws 13710, 201572, 225461, two 2102
	861	225462	x	x	x	Bobbin Winder Tension Bracket Cpl.	
	862	201572-8.9	x	x	x	Bobbin Winder Tension Stud Thumb Nut	
	863	13710	x	x	x	Bobbin Winder Tension Spring	
	864	2102	x	x	x	Bobbin Winder Tension Disc (2)	
	865	201499-819	x	x	x	Bobbin Winder Tension Stud	
	866	225461	x	x	x	Bobbin Winder Tension Bracket with	201499
	867	200082-804	x	x	x	Bobbin Winder Tension Bracket Screw	
	868	228026	x	x	x	Bobbin Winder Tension Bracket Screw Washer	
	869	259662	x	x	x	Bobbin Winder and Tension Bracket Base	
	870	-----	x	x	x	Bobbin Winder Wood Screw (3/4 in. No. 12 R.H.B.)(2)	
	871	225456	x	x	x	Bobbin Winder Frame Spring Plunger	
	872	225455	x	x	x	Bobbin Winder Frame Spring	
	873	259930	x	x	x	Bobbin Winder Pulley with	457
	874	457-830	x	x	x	Bobbin Winder Pulley Set Screw	
	875	244071	x	x	x	Bobbin Winder Frame Oil Packing (wick)	
	876	259660	x	x	x	Bobbin Winder Frame Oil Well Washer	
	877	225453	x	x	x	Bobbin Winder Frame with	244071, 259660
	878	225381	x	x	x	Bobbin Winder Spindle	
	879	225454	x	x	x	Bobbin Winder Frame Hinge Pin	
	880	200299-8.9	x	x	x	Bobbin Winder Stop Latch Trip Lever Hinge Screw	
	881	202478	x	x	x	Bobbin Winder Stop Latch Trip Lever	
	882	200056-805	x	x	x	Bobbin Winder Stop Latch Screw	
	883	225444	x	x	x	Bobbin Winder Stop Latch	
	884	225458	x	x	x	Bobbin Winder Stop Latch Thumb Screw	
	885	200113-806	x	x	x	Bobbin Winder Brake Clamp Screw	
	886	259429	x	x	x	Bobbin Winder Brake Clamp	
	887	259428	x	x	x	Bobbin Winder Brake (leather)	
	888	225459	x	x	x	Bobbin Winder Stop Latch Thumb Lever Hinge Stud (2)	
	890	248929			x	Knife (3)	
	891	263735		x		Knife (2)	
	892	238508		x		Knife (2)	
	893	200570-805	x	x	x	Bed Hinge Connection Screw (4)	
	894	202258	x	x	x	Bed Hinge Connection (2)	
	895	120342	x	x	x	Oiler (copper plated) with	120343
	896	120343	x	x	x	Oiler Spout (31/2 in. long)	
	897	225554	x	x	x	Wrench	
	898	4822	x	x	x	Roller Presser Hinge Screw Nut Wrench	
	899	225498	x	x	x	Screw Driver	
	900	144465	x	x	x	Wrench (1/8 in. Hex. )	
Components	901	233939	x	x	x	Bobbin (2)	
	902	228476	x	x	x	Screw Driver (bobbin case)	
	903	41401	x	x	x	Machine Rest Pin (wood)	
228882, 228883, four wood screws 1/2 in. No. 4 R.H.B.	904	263577	x	x	x	Pulley Spreader Cone Adjusting Key	
	---	1740-141	x	x	x	Needle (5)	
2763, 6337, 39811, 150668, 227676, 228364, 228388, 228685, 228843, 228844, 228845 three 1 in. No. P.H.B.							

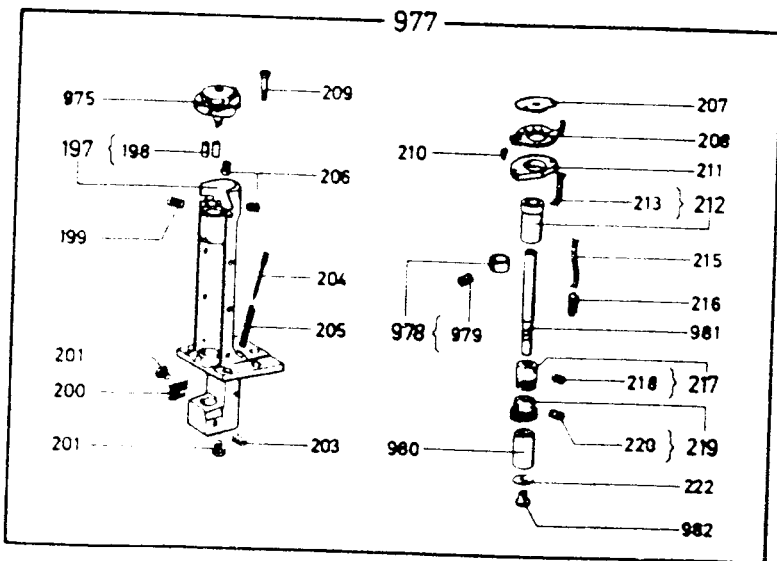
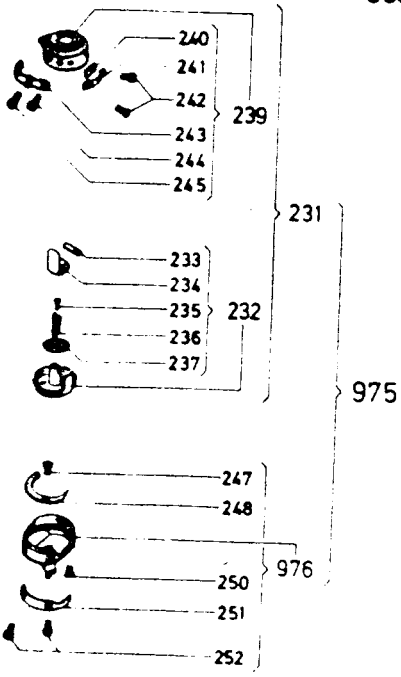
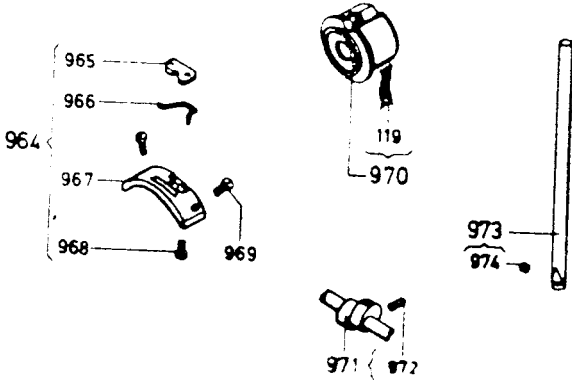
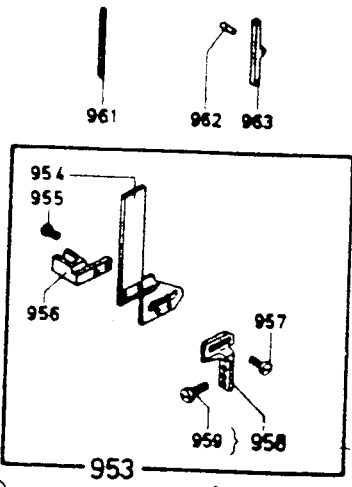
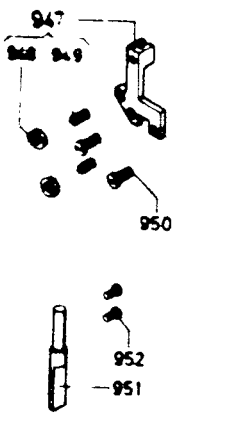
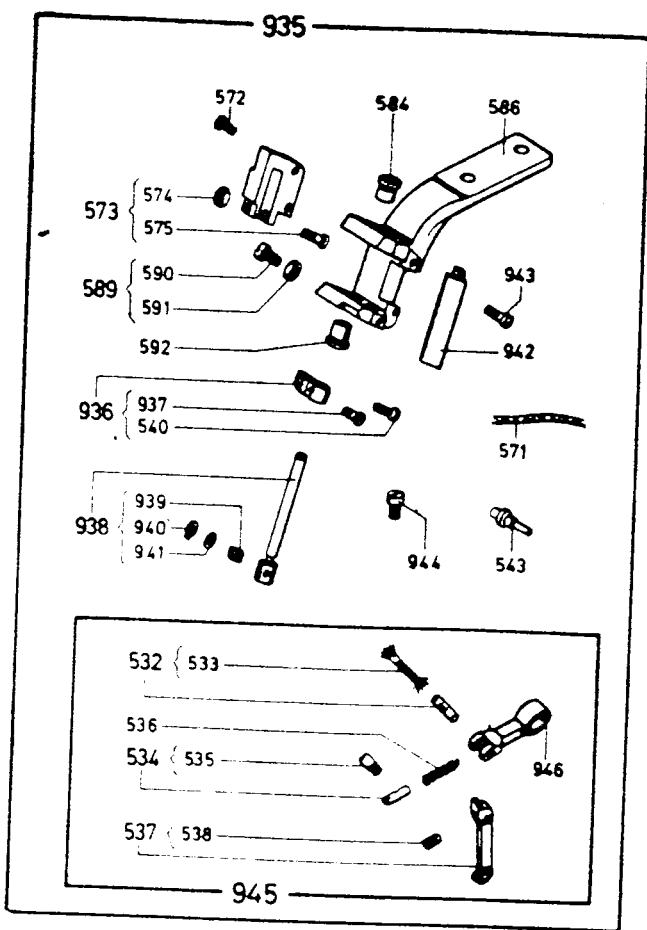
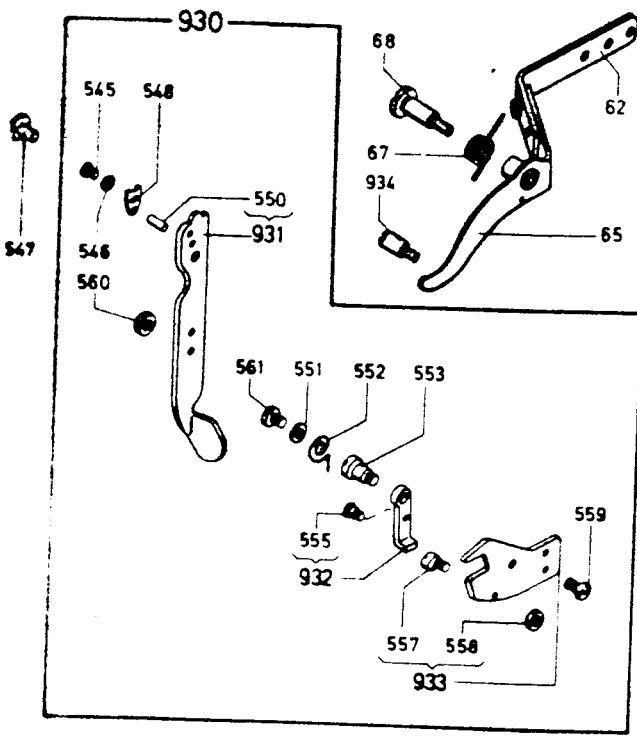
Illustr. Ref. No.	Part No.	For Class			Name	Components	Illustr. Ref. No.	Part No.	For Class				
		120	125	131					124	130	131		
1	263405	x	x	x	x	Arm End Cover	77	263531	x	x	x	x	
2	200001-803	x	x	x	x	Arm End Cover Screw (2)	78	263528	x	x	x	x	
3	200055-803	x	x	x	x	Presser Bar Position Guide Lever Stop Screw	79	263527	x	x	x	x	
4	200398-803	x	x	x	x	Presser Bar Position Guide Set Screw	80	263534	x	x	x	x	
5	263498	x	x	x	x	Presser Bar Position Guide	81	200111-803	x	x	x	x	
6	201671-805	x	x	x	x	Presser Bar Position Guide Lever Stop Screw Nut	82	268425	x	x	x	x	
7	350612-803	x	x	x	x	Presser Bar Screw (presser regulating)	83	263533	x	x	x	x	
8	263499	x	x	x	x	Presser Bar Spring Stop Rod	84	Cat. 1740	x	x	x	x	
9	236089	x	x	x	x	Presser Bar Spring	85	263489	x	x	x	x	
10	263546	x	x	x	x	Tension Releasing Plunger	86	249270	x	x	x	x	
11	263496	x	x	x	x	Presser Bar Bushing (upper)	87	200175-804	x	x	x	x	
12	200398-803	x	x	x	x	Presser Bar Bushing (upper) Set Screw	88	200125-833	x	x	x	x	
13	202338	x	x	x	x	Presser Bar Position Guide Lever	89	263490	x	x	x	x	
14	200086-833	x	x	x	x	Presser Bar Position Guide Lever Pinch Screw	90	263491	x	x	x	x	
15	206608	x	x	x	x	Presser Bar Lifting Releasing Lever Bracket Spring	91	200398-803	x	x	x	x	
16	200666-803	x	x	x	x	Presser Bar Lifter Hinge Screw	92	143057	x	x	x	x	
17	202671	x	x	x	x	Presser Bar Lifter	93	207-805	x	x	x	x	
18	263497	x	x	x	x	Presser Bar Lifting Releasing Lever Bracket	94	143058	x	x	x	x	
19	263495	x	x	x	x	Presser Bar Bushing (lower)	95	263571	x	x	x	x	
20	263505	x	x	x	x	Roller Presser Bar and Bar Cpl.	200096, two 200141, 202558, 202559, 228740, 235088, 235087, 263501, 263504	96	263570	x	x	x	x
21	200362-803	x	x	x	x	Roller Presser Arm Bracket Position Collar Set Screw	97	263492	x	x	x	x	
22	235088	x	x	x	x	Roller Presser Arm Bracket Position Collar Cpl.	200362	98	1130-805	x	x	x	x
23	235087	x	x	x	x	Roller Presser Arm Bracket	99	263813	x	x	x	x	
24	263504	x	x	x	x	Roller Presser Bar	100	263544	x	x	x	x	
25	228740	x	x	x	x	Roller Presser Arm Bracket Position Collar Lock Ring	101	200347-833	x	x	x	x	
26	200141-806	x	x	x	x	Roller Presser Arm Bracket Spring Stop Screw (2)	102	263560	x	x	x	x	
27	202558	x	x	x	x	Roller Presser Arm Bracket Spring	103	228485	x	x	x	x	
28	202559	x	x	x	x	Roller Presser Arm Bracket Spring Stop	104	263539	x	x	x	x	
29	263501	x	x	x	x	Roller Presser Arm Cpl.	263500, 351883	105	263571	x	x	x	x
30	351883	x	x	x	x	Roller Presser Cpl.	1528, 201699, Twenty- Eight 206417, 350104,	106	263572	x	x	x	x
31	1528-819	x	x	x	x	Roller Presser Hinge Screw Nut	107	263543	x	x	x	x	
32	206417	x	x	x	x	Roller Presser Ball 1/16" φ (28)	108	263538	x	x	x	x	
33	201699-803	x	x	x	x	Roller Presser Ball Cone	109	12166	x	x	x	x	
34	350104-803	x	x	x	x	Roller Presser Hinge Screw	110	263545	x	x	x	x	
35	263500	x	x	x	x	Roller Presser Arm	111	263573	x	x	x	x	
36	200096-804	x	x	x	x	Roller Presser Arm Screw	112	200333-803	x	x	x	x	
37	263412	x	x	x	x	Arm Top Cover	113	*263493	x	x	x	x	
38	263541	x	x	x	x	Take-Up Lever Guard	114	*263406	x	x	x	x	
39	200161-819	x	x	x	x	Take-Up Lever Guard Screw (2)	115	200362-803	x	x	x	x	
40	202412	x	x	x	x	Thread Guide	116	200382-833	x	x	x	x	
41	200194-806	x	x	x	x	Arm Top Cover Screw (3)	117	203172	x	x	x	x	
42	263590	x	x	x	x	Arm Top Cover Oil Tube Cpl.	170168	118	263408	x	x	x	x
43	170168	x	x	x	x	Arm Top Cover Oil Tube Metering Insert	119	203100	x	x	x	x	
44	263515	x	x	x	x	Roller Presser Driving Belt (upper)	120	200338-803	x	x	x	x	
45	263521	x	x	x	x	Roller Presser Driving Belt (upper) Idler Pulley	121	263410	x	x	x	x	
46	263519	x	x	x	x	Bracket Adjusting Rod Spring	Two 201525	122	214206	x	x	x	x
47	201525-805	x	x	x	x	Roller Presser Driving Belt (upper) Idler Pulley	123	350492-803	x	x	x	x	
48	263566	x	x	x	x	Bracket Adjusting Rod Nut and Lock Nut (2)	124	200363-833	x	x	x	x	
49	263517	x	x	x	x	Roller Presser Driving Belt (upper) Idler Pulley Cpl.(2) Two 263517, two 263565	125	263409	x	x	x	x	
50	263565	x	x	x	x	Roller Presser Driving Belt (upper) Idler Pulley (2)	126	263488	x	x	x	x	
51	263564	x	x	x	x	Roller Presser Driving Belt (upper) Idler Pulley Needle Bearing (2)	127	263487	x	x	x	x	
52	263526	x	x	x	x	Roller Presser Driving Belt (upper) Idler Pulley Spindle Retaining Ring (2)	128	200327-803	x	x	x	x	
53	263522	x	x	x	x	Roller Presser Driving Belt (upper) Idler Pulley Spindle	129	200328-803	x	x	x	x	
54	263523	x	x	x	x	Roller Presser Driving Belt (upper) Idler Pulley Bracket Extension Cpl.	130	272142	x	x	x	x	
55	263518	x	x	x	x	Roller Presser Driving Belt (upper) Idler Pulley Bracket	131	263555	x	x	x	x	
56	1094-804	x	x	x	x	Roller Presser Driving Belt (upper) Idler Pulley Bracket Extension Screw (3)	132	200577-833	x	x	x	x	
57	208636	x	x	x	x	Roller Presser Driving Belt (upper) Idler Pulley Bracket Extension Screw Washer (3)	133	241765	x	x	x	x	
58	263524	x	x	x	x	Roller Presser Driving Belt (upper) Idler Pulley Bracket Extension Support (back)	134	263554	x	x	x	x	
59	201387-806	x	x	x	x	Roller Presser Driving Belt (upper) Idler Pulley Bracket Extension Support Screw (4)	135	200137-819	x	x	x	x	
60	263525	x	x	x	x	Roller Presser Driving Belt (upper) Idler Pulley Bracket Extension Support (front)	136	263558	x	x	x	x	
61	263486	x	x	x	x	Lifting Lever Cpl.	137	350559-833	x	x	x	x	
62	263484	x	x	x	x	Lifting Lever Extension	138	210954	x	x	x	x	
63	200092-803	x	x	x	x	Lifting Lever Extension Screw	139	200582-803	x	x	x	x	
64	201051-803	x	x	x	x	Lifting Lever Spring Stop Screw (on Lever)	140	446-833	x	x	x	x	
65	263483	x	x	x	x	Lifting Lever	141	263551	x	x	x	x	
66	201231-803	x	x	x	x	Lifting Lever Stop Screw	142	263548	x	x	x	x	
67	263485	x	x	x	x	Lifting Lever Spring	143	263552	x	x	x	x	
68	201101-803	x	x	x	x	Lifting Lever Hinge Screw	144	30305-803	x	x	x	x	
69	200224-803	x	x	x	x	Lifting Lever Spring Stop Screw (on Arm)	145	350613	x	x	x	x	
70	200007-805	x	x	x	x	Arm Cover (back) Screw (2)	146	*263550	x	x	x	x	
71	263634	x	x	x	x	Arm Cover (back)	147	202410	x	x	x	x	
72	201110-805	x	x	x	x	Roller Presser Driving Belt (upper) Pulley (adjustable) Stop Screw	148	244048	x	x	x	x	
73	263532	x	x	x	x	Roller Presser Driving Belt (upper) Pulley (adjustable) Cpl.	149	244049	x	x	x	x	
74	201748-819	x	x	x	x	Roller Presser Driving Belt (upper) Pulley (adjustable) Lock Nut	150	263547	x	x	x	x	
75	263530	x	x	x	x	Roller Presser Driving Belt (upper) Pulley (adjustable) Segment Ring	151	263549	x	x	x	x	
76	263529	x	x	x	x	Roller Presser Driving Belt (upper) Pulley (adjustable) Segment Retaining Ring	152	223438	x	x	x	x	
							153	201572-819	x	x	x	x	
							154	201188-803	x	x	x	x	
							155	240034	x	x	x	x	
							156	200112-819	x	x	x	x	
							157	263404	x	x	x	x	
							158	263828	x	x	x	x	
							159	263662	x	x	x	x	

132	Name	Components	Illustr. Ref. No.	Part No.	For Class			Name
					120	125	131	
x	Roller Presser Driving Belt (upper) Pulley (adjustable) Spreader Cone		160	263451	x	x	x	Feed Wheel Ball Cone (out.)
			161	206417	x	x	x	Feed Wheel Ball 1/16" Ø
x	Roller Presser Driving Belt (upper) Pulley (adjustable) Segment Guide Stud (4)		162	263452	x	x	x	Feed Wheel Bevel Gear
			163	263660	x	x	x	Feed Wheel
x	Roller Presser Driving Belt (upper) Pulley (adjustable) Segment (4)		164	263450	x	x	x	Feed Wheel Ball Cone (ins.)
			165	200587-804	x	x	x	Feed Wheel Bevel Gear Scr
x	Roller Presser Driving Belt Shaft Collar Cpl.	Two 200111	166	350411-803	x	x	x	Feed Wheel Cap Screw
x	Roller Presser Driving Belt Shaft Collar Set Screw (2)		167	263829	x	x	x	Feed Post Cover (side)
			168	237-804	x	x	x	Feed Post Cover (side) Sc
x	Roller Presser Driving Belt Shaft Needle Bearing (lower and upper) (2)		169	263453	x	x	x	Feed Wheel Bevel Gear Dri
			170	263461	x	x	x	Feed Wheel Bracket Extens
x	Roller Presser Driving Belt Shaft Needle (No. 14)		171	263460	x	x	x	Feed Wheel Bracket Cpl.
x	Needle Bar Cpl.	200125, 200175, 249270	172	200041-803	x	x	x	Feed Wheel Bracket Pinch
x	Needle Bar Thread Guide		173	263849	x	x	x	Oil Reservoir Oil Gauge P
x	Needle Bar Thread Guide Screw		174	263847	x	x	x	Feed Post with
x	Needle Bar Connecting Stud Cpl.		175	140321-830	x	x	x	Feed Wheel Bracket Fricti
x	Needle Bar Bushing (lower)		176	448-833	x	x	x	Feed Wheel Bracket Extens
x	Needle Bar Bushing (upper)		177	140321-830	x	x	x	Feed Wheel Adjusting Stud
x	Needle Bar Bushing (upper) Set Screw		178	249019	x	x	x	Feed Wheel Bracket Fricti
x	Needle Bar Connecting Stud Pinch	207	179	249092	x	x	x	Feed Wheel Adjusting Stud
x	Needle Bar Connecting Stud Slide Block		180	263692	x	x	x	Feed Wheel Bevel Gear Dri
x	Needle Bar Connecting Link Oil Packing (wick) Spring Clamp (2)		181	263455	x	x	x	Coupling Cpl.
x	Needle Bar Connecting Link Oil Packing (wick)		182	200382-833	x	x	x	Feed Wheel Bevel Gear Dri
x	Needle Bar Connecting Link Cap Screw		183	263457	x	x	x	Coupling Set Screw (4)
x	Take-Up Lever Crank		184	263456	x	x	x	Feed Wheel Bevel Gear Dri
x	Take-Up Lever Link Hinge Stud		185	201052-833	x	x	x	Coupling Ball Connection
x	Take-Up Lever Link Hinge Stud Set Screw		186	200133-803	x	x	x	Feed Wheel Bevel Gear Dri
x	Needle Bar and Take-Up Oiling Wick		187	263454	x	x	x	Coupling Ball Connection
x	Needle Bar and Take-Up Oiling Wick Retaining Screw (3)	12166, 263538, 263543, two 263571, 263572	188	263440	x	x	x	Feed Wheel Bevel Gear Dri
x	Take-Up Lever Complete		189	263441	x	x	x	Ball Connection Retainin
x	Take-Up Lever Link Oil Packing (wick) Spring Clamp		190	263440	x	x	x	Feed Wheel Bevel Gear Dri
x	Take-Up Lever Link Oil Packing (wick)		191	263836	x	x	x	Coupling (lower) Cpl.
x	Take-Up Lever Link		192	141664-819	x	x	x	Feed Post Adjusting Eccen
x	Take-Up Lever		193	201110-819	x	x	x	Feed Post Adjusting Eccen
x	Take-Up Lever Hinge Stud		194	263592	x	x	x	Retaining Ring
x	Take-Up Lever Position Plate		195	263834	x	x	x	Oil Reservoir Oil Gauge
x	Arm Shaft Cpl.	*263406, *263493, 200333, 200382, 200362	196	263464	x	x	x	Throat Plate
			197	263833	x	x	x	Throat Plate Screw (2)
x	Needle Bar Crank Position Screw		198	263582	x	x	x	Feed Post Screw (2)
x	Needle Bar Crank		199	1448-830	x	x	x	Feed and Hook Post Screw
x	Arm Shaft		200	263476	x	x	x	Hook Post Cpl.
x	Take-Up Lever Crank Set Screw		201	212-804	x	x	x	
x	Take-Up Lever Crank Set Screw		202	202-819	x	x	x	
x	Needle Bar Crank Friction Washer		203	1448-830	x	x	x	
x	Arm Shaft Bushing (front) with	203100	204	141580-833	x	x	x	
x	Arm Shaft Bushing (front) Oil Packing (wick)		205	234426	x	x	x	
x	Arm Shaft Bushing (front) Set Screw		206	141674-833	x	x	x	
x	Arm Shaft Connection Belt Pulley Cpl.	200363, two 214206	207	263482	x	x	x	
		350492	208	263826	x	x	x	
x	Arm Shaft Connection Belt Pulley Spring		209	350611-819	x	x	x	
x	Arm Shaft Connection Belt Pulley Position Screw		210	203478	x	x	x	
x	Arm Shaft Connection Belt Pulley Position Screw		211	263421	x	x	x	
x	Check Screw/Set Screw (2)		212	263480	x	x	x	
x	Arm Shaft Connection Belt (reinforced neoprene)		213	263561	x	x	x	
x	Machine Pulley with	263487, 272142	214	263478	x	x	x	
x	Machine Pulley Cpl.	200327, 200328	215	263593	x	x	x	
x	Machine Pulley Set Screw		216	263594	x	x	x	
x	Machine Pulley Position Screw		217	263568	x	x	x	
x	Arm Shaft Ball Bearing (back)		218	200387-803	x	x	x	
x	Thread Lubricator Plate		219	265522	x	x	x	
x	Thread Lubricator Plate Screw (2)		220	200382-833	x	x	x	
x	Thread Lubricator Oil Pad (felt)		221	263479	x	x	x	
x	Thread Lubricator Oil Pad Holder		222	263481	x	x	x	
x	Thread Lubricator Oil Pad Holder Screw (2)		223	200121-805	x	x	x	
x	Thread Retainer Thread Guide		224	201110-819	x	x	x	
x	Thread Retainer Thread Guide Set Screw		225	263592	x	x	x	
x	Thread Guide (lower)		226	141581-805	x	x	x	
x	Thread Guide (lower) Set Screw		227	244746	x	x	x	
x	Thread Controller Spring Regulator Set Screw		228	263440	x	x	x	
x	Tension Cpl.	201572, 202410, 223438, 244048, 244049, 263547, 263548, 263549, 263552, 350613	229	263441	x	x	x	
x	Tension Releasing Pin		230	263846	x	x	x	
x	Thread Controller Spring Regulator Cpl.	50305	231	241677	x	x	x	
x	Tension Stud Set Screw		232	235769	x	x	x	
x	Tension Stud Cpl.	263550	233	*202056	x	x	x	
x	Tension Stud Washer		234	*203211	x	x	x	
x	Thread Controller Spring		235	*203212	x	x	x	
x	Tension Disc (back)		236	*203213	x	x	x	
x	Tension Disc (front)		237	203216	x	x	x	
x	Tension Release Washer		238	263441	x	x	x	
x	Tension Spring Washer		239	241676	x	x	x	
x	Tension Spring		240	241674	x	x	x	
x	Tension Thumb Nut		241	241675	x	x	x	
x	Thread Retainer Set Screw		242	350405	x	x	x	
x	Thread Retainer		243	235771	x	x	x	
x	Arm Cover Plate (back) (lower) Screw (2)		244		x	x	x	
x	Arm Cover Plate (back) (lower)	Two 237, 249019, 249092, 263453, 263460, 263461, 263662, 263692, 263829, 263849, 263847, 350411	245		x	x	x	
x	Feed Post Cpl.	Three 200587, Sixty 206417, 263450, 263451, 263452, 263660			x	x	x	
x	Feed Wheel Cpl.				x	x	x	

Components	Illustr. Ref. No.	Part No.	For Class			Name	Components
			120	125	131		
	244	200594-805	x	x	x	Hobbin Case Tension Spring Screw	
	245	200984-803	x	x	x	Hobbin Case Tension Spring Regulating Screw	
	246	263463	x	x	x	Hook Cpl.	201253, two 201241604, 263462,
	247	201253-806	x	x	x	Hook Gib Screw	
	248	241604	x	x	x	Hook Gib	
	249	263462	x	x	x	Hook (sewing)	
	250	201378-803	x	x	x	Hook Gib Hinge Screw	
	251	263563	x	x	x	Hook Needle Guard	
	252	201409-806	x	x	x	Hook Needle Guard Screw (2)	
	253	233439	x	x	x	Hobbin	
	254	263403	x	x	x	Arm Cover (front)	
	255	200576-819	x	x	x	Arm Cover (front) Screw (2)	
	256	204235	x	x	x	Arm Base Position and Arm Position Pin (4)	
	257	202005	x	x	x	Arm Base Screw and Arm Screw Washer (6)	
	258	200004-805	x	x	x	Arm Base and Arm Screw (6)	
	259	263801	x	x	x	Feed Post Base Cover	
	260	263804	x	x	x	Feed and Hook Post Base Cover Support (back)	
	261	50559-819	x	x	x	Feed and Hook Post Base Cover Support Screw (2)	
	262	263803	x	x	x	Feed and Hook Post Base Cover Support (front)	
	263	200181-819	x	x	x	Feed and Hook Post Base Cover Screw (2)	
	264	263802	x	x	x	Hook Post Base Cover	
	265	263812	x	x	x	Feed and Hook Post Gasket (bottom)	
	266	263830	x	x	x	Feed and Hook Post Cover (back)	
	267	263832	x	x	x	Feed and Hook Post Cover Gasket (back or front) (2)	
	268	263845	x	x	x	Feed and Hook Post Cover (front)	
	269	51023-802	x	x	x	Feed and Hook Post Cover (back or front) Screw (8)	
	270	141672-806	x	x	x	Feed and Hook Post Cover (back or front) Clamp Screw (6)	
	271	263415	x	x	x	Bed Cover (bottom) Gasket	
	272	263414	x	x	x	Bed Cover (bottom) Cpl.	263459, 267093,
	273	263459	x	x	x	Feed Wheel Bevel Gear Driving Pinion Shaft (lower) Needle Bearing Oil Seal	
	274	350777-819	x	x	x	Bed Cover (bottom) Screw Oil Plug	
	275	267093	x	x	x	Feed Wheel Bevel Gear Driving Pinion Shaft (lower) Needle Bearing	
	276	200040-805	x	x	x	Bed Cover (bottom) Screw (10)	
	277	272154	x	x	x	Bed Cover (bottom) Screw Washer (fibre)(2)	
	278	263425	x	x	x	Feed Clutch Cpl.	Six 68152, Six Six 131718, 144263458, 263578, 263591
	279	263458	x	x	x	Feed Wheel Bevel Gear Driving Pinion Shaft (lower)	
	280	263591	x	x	x	Feed Clutch Thrust Washer	
	281	144261	x	x	x	Feed Clutch (drive) Washer	
	282	263579	x	x	x	Feed Clutch Sleeve	
	283	140409-830	x	x	x	Feed Clutch Sleeve Set Screw (2)	
	284	263578	x	x	x	Feed Clutch (brake) 144262 with	Three 263574
	285	263574	x	x	x	Feed Clutch Wear Plate (6)	
	286	263423	x	x	x	Feed Clutch (drive) 263422 with	Three 263574
	287	131718	x	x	x	Feed Clutch Roller Spring (6)	
	288	68152	x	x	x	Feed Clutch Roller Plunger (6)	
	289	131717	x	x	x	Feed Clutch Roller (6)	
	290	200911-819	x	x	x	Feed Clutch (brake) Supporting Plate Screw (3)	
	291	1255-803	x	x	x	Feed Clutch (brake) Screw (3)	
	292	263424	x	x	x	Feed Clutch (brake) Supporting Plate	
	293	263467	x	x	x	Hook and Feed Driving Shaft Bushing (front) with 272115	
	294	272115	x	x	x	Hook and Feed Driving Shaft Bushing (front) Oil Packing (wick)	
	295	200958-803	x	x	x	Hook and Feed Driving Shaft Bushing (front) Set Screw	
	296	263437	x	x	x	Feed Driving Flange Cpl.	200333, 200346, Two 350477, two
	297	350548-803	x	x	x	Feed Driving Eccentric Friction Plate Adjusting Screw (2)	
	298	263567	x	x	x	Feed Driving Eccentric Friction Plate	
	299	200333-803	x	x	x	Feed Driving Flange Position Screw	
	300	200346-803	x	x	x	Feed Driving Flange Set Screw	
	301	350477-803	x	x	x	Feed Driving Eccentric Friction Plate Adjusting Screw Set Screw (2)	
	302	263429	x	x	x	Feed Driving Eccentric Cpl.	215057
	303	215057	x	x	x	Feed Driving Eccentric Adjusting Eccentric Pin	
	304	263430	x	x	x	Feed Driving Eccentric Adjusting Eccentric	
	305	263435	x	x	x	Feed Driving Eccentric Adjusting Eccentric Spring	
	306	263436	x	x	x	Feed Driving Eccentric Adjusting Eccentric Spring Adjusting Collar Cpl.	Two 200394
	307	200394-803	x	x	x	Feed Driving Eccentric Adjusting Eccentric Spring Adjusting Collar Set Screw (2)	
	308	263472	x	x	x	Hook Driving Gear (spiral) Sleeve Cpl.	200378, 201220
	309	201220-833	x	x	x	Hook Driving Gear (spiral) Sleeve Position Screw	
	310	200378-803	x	x	x	Hook Driving Gear (spiral) Sleeve Position Screw	
	311	263470	x	x	x	Hook Driving Gear (spiral) Cpl.	Two 797
	312	797-803	x	x	x	Hook Driving Gear (spiral) Set Screw (2)	
	313	263471	x	x	x	Hook Driving Gear (spiral) Retaining Ring	
	314	276045	x	x	x	Hook and Feed Driving Shaft Bushing (back) with 276046	
	315	276046	x	x	x	Hook and Feed Driving Shaft Bushing (back) Oil Packing (wick)	
	316	200958-803	x	x	x	Hook and Feed Driving Shaft Bushing (back) Set Screw	
	317	263537	x	x	x	Stitch Length Indicator Cpl.	200347
	318	200347-830	x	x	x	Stitch Length Indicator Set Screw	
	319	263469	x	x	x	Hook and Feed Driving Shaft Thrust and Timing Collar Cpl.	200378
	320	200378-803	x	x	x	Hook and Feed Driving Shaft Thrust and Timing Collar Set Screw	
	321	201007-803	x	x	x	Hook and Feed Driving Shaft Connection Belt Pulley Needle Bearing Sleeve Set Screw	
	322	263569	x	x	x	Hook and Feed Driving Shaft Connection Belt Pulley Needle Bearing Sleeve	
	323	263465	x	x	x	Hook and Feed Driving Shaft	

Components	Illustr. Ref. No.	Part No.	For Class				Name	Components		
			124	130	132					
crew	201253, two 201409, 201370, 241604, 263462, 263563	324	263468	x	x	x	x	x	Hook and Feed Driving Shaft Connection Belt Pulley Cpl.	201254, 201421, 214206, 228842
		325	228842	x	x	x	x	x	Hook and Feed Driving Shaft Connection Belt Pulley Needle Bearing	
		326	214206	x	x	x	x	x	Hook and Feed Driving Shaft Connection Belt Pulley Spring Flange	
		327	201254-803	x	x	x	x	x	Hook and Feed Driving Shaft Connection Belt Pulley Position Screw	
		328	201421-803	x	x	x	x	x	Hook and Feed Driving Shaft Connection Belt Pulley Set Screw	
		329	263428	x	x	x	x	x	Feed Driving Crank Cpl.	350175
		330	350175-805	x	x	x	x	x	Feed Driving Crank Pinch Screw	
		331	201616-805	x	x	x	x	x	Feed Driving Crank Ball Screw Nut	
		332	231836	x	x	x	x	x	Feed Driving Crank Thrust Washer	
		333	263426	x	x	x	x	x	Feed Driving Connection Cpl.	Four 200274
(4)		334	200274-805	x	x	x	x	x	Feed Driving Connection Cap Screw (4)	
		335	140300-803	x	x	x	x	x	Feed Driving Crank Ball Screw	
		336	263427	x	x	x	x	x	Feed Driving Connection Tension Spring	
		337	263431	x	x	x	x	x	Feed Driving Eccentric Adjusting Eccentric Latch Cpl.	200351
		338	200351-803	x	x	x	x	x	Feed Driving Eccentric Adjusting Eccentric Latch Set Screw	
		339	200605-803	x	x	x	x	x	Feed Driving Eccentric Adjusting Eccentric Latch Hinge Pin Position Screw	
		340	263432	x	x	x	x	x	Feed Driving Eccentric Adjusting Eccentric Latch Hinge Pin	
		341	263433	x	x	x	x	x	Feed Driving Eccentric Adjusting Eccentric Latch Operating Lever Cpl.	200394
		342	200394-803	x	x	x	x	x	Feed Driving Eccentric Adjusting Eccentric Latch Operating Lever Set Screw	
		343	263434	x	x	x	x	x	Feed Driving Eccentric Adjusting Eccentric Latch Operating Lever Spring	
shaft	263459, 267093, 350777	344	263508	x	x	x	x	x	Roller Presser Driving Belt (lower) Driving Belt Pulley Cpl.	Two 200958
		345	200958-803	x	x	x	x	x	Roller Presser Driving Belt (lower) Driving Belt Pulley Set Screw (2)	
		346	263506	x	x	x	x	x	Roller Presser Driving Belt (lower)	
		347	263507	x	x	x	x	x	Roller Presser Driving Belt (lower) Driven Pulley Cpl.	Two 200403
		348	200403-803	x	x	x	x	x	Roller Presser Driving Belt (lower) Driven Pulley Set Screw (2)	
		349	263514	x	x	x	x	x	Roller Presser Driving Belt (lower) Idler Pulley and Arm Cpl.	200948, 263510, 263511
		350	263512	x	x	x	x	x	Roller Presser Driving Belt (lower) Idler Pulley Arm Spring	
		351	263511	x	x	x	x	x	Roller Presser Driving Belt (lower) Idler Pulley Arm	
		352	263510	x	x	x	x	x	Roller Presser Driving Belt (lower) Idler Pulley Cpl.	263509, 263513
		353	263509	x	x	x	x	x	Roller Presser Driving Belt (lower) Idler Pulley	
shaft (lower)	Six 68152, Six 131717, Six 131718, 144261, 263423, 263458, 263578, 263579, 263591	354	263513	x	x	x	x	x	Roller Presser Driving Belt (lower) Idler Pulley Needle Bearing	
		355	200948-803	x	x	x	x	x	Roller Presser Driving Belt (lower) Idler Pulley Hinge Screw	
		356	660-803	x	x	x	x	x	Roller Presser Driving Belt (lower) Idler Pulley Arm Hinge Screw	
		357	263417	x	x	x	x	x	Bed Leg (3)	
		401	263783	x					Arm Top Cover	
		402	263590	x					Arm Top Cover Oil Tube Cpl. (2)	Two 170168
		403	170168	x					Arm Top Cover Oil Tube Metering Insert (2)	
		404	263784	x					Knife Driving Mechanism Guard	
		405	263781	x					Knife Driving Shaft Driving Gear Lubrication Reservoir Cover	
		215057	406	200084-850	x					Knife Driving Shaft Driving Gear Lubrication Reservoir Cover Screw (2)
crew (3)		407	263782	x					Arm Shaft Bushing (front) with	203100
		408	263779	x					Knife Driving Shaft Driving Gear Cpl.	Two 200382
		409	200382-833	x					Knife Driving Shaft Driving Gear Set Screw (2)	
		410	263407	x					Arm Shaft Bushing (center) with	203100
		411	203100	x					Arm Shaft Bushing (center) Oil Packing (wick)	
		412	200013-819	x					Arm Shaft Bushing (center) Set Screw	
		413	200365-803	x	x				Knife Driving Eccentric Position Screw	
		414	201052-833	x	x	x			Knife Driving Eccentric Set Screw	
		415	263745	x		x	x		Knife Driving Connection Cpl.	Two 160, 263744, 263746, 263747, 263748, 263749, 350633, 200365, 201052
		crew (2)	200378, 201220	416	263749	x				
417	263747			x					Knife Driving Connection Bearing (upper)(large)	
418	200160-819			x					Knife Driving Connection Guide Plate Screw (2)	
419	263748			x					Knife Driving Connection Guide Plate	
420	263744			x					Knife Driving Connection	
421	263746			x					Knife Driving Connection Bearing (lower) (small)	
422	350633-803			x					Knife Driving Connection Hinge Screw	
423	51699-819			x					Knife Driving Connection Hinge Screw Nut	Two 141584, 263851, 263856
424	263857			x		x	x		Throat Plate Cpl.	
425	263856			x		x	x		Throat Plate Needle Plate	
crew (2)	200347	426	263851	x	x				Throat Plate Body	
		427	141584-819	x	x				Throat Plate Needle Plate Screw (2)	
		429	263752	x					Thread Lubricator and Edge Guide Bracket Mounting Plate	
		430	200093-819	x					Edge Guide Bracket Screw (2)	
		431	263734	x					Edge Guide Rod Spring Plate	
		432	200166-819	x					Edge Guide Rod Spring Plate Screw	
		433	263728	x					Edge Guide Bracket	
		434	201735-805	x					Edge Guide Rod Plunger Nut	
		435	263729	x					Edge Guide Position Plate	
		436	200166-819	x					Edge Guide Position Plate Screw (2)	

PARTS FOR MACHINE NO. 236 G 122  
 Same as Machine No. 236 G 130 with the following exceptions:  
 For Parts not illustrated refer to Machine No. 236 G 120 and 236 G 130





# PARTS FOR MACHINE 236 G122

ILL. REF. NO.	PART NO.	NAME			
930	508371	KNIFE CONTROL LEVER CPL. 217, 48058, 201478, 263618, 350109, 508372, 508373, 508374, TWO EACH 200064, 201706, 206482			
931	508374	KNIFE CONTROL LEVER CPL. 212248			
932	508372	KNIFE CONTROL LEVER LATCH CPL. 200316	800	228884	DRIP PAN (PLASTIC) CPL. 228882, 228883, FOUR
933	508373	KNIFE CONTROL LEVER PLATE CPL. 201537, 350615	810	228846	WOOD SCREW 1/2 INCH NO. 4 B.H.B.
934	900326	LIFTING LEVER STOP SCREW			KNEE LIFTER ROCK SHAFT CPL. 2763, 6337, 39811, 150668, 227676, 228344, 228388, 228685, 228843, 228844, 228845
935	508342	KNIFE GUIDE BRACKET CPL. 200077, 200888, 204411, 248894, 248896, 263611, 263612, 267263, 508361, 508363, 508364, 508365, TWO EACH 200028, 201341	860	259462	UNIVERSAL BOBBIN WINDER CPL. 200056, 200082, 200113, 200299, 202478, 225381, 225444, 225453, 225454, 225455, 225456, 225458, 225462, 228026, 259428, 259429, 259462, 259930, TWO EACH 259459 AND WOOD SCREWS
936	508344	KNIFE GUIDE BAR BLOCK CPL. 200069, 200089	893	200570-805	BED HINGE CONNECTION SCREW (4)
937	200089	KNIFE GUIDE BAR BLOCK HINGE SCREW	894	202258	BED HINGE CONNECTION (2)
938	508363	KNIFE DRIVING BAR CPL. 508349, 508376, 512019	895	120342	OILER (COPPER PLATED) WITH 120343
939	508369	KNIFE DRIVING BAR SLIDE BLOCK	896	004822	WRENCH
940	512019	KNIFE DRIVING BAR SLIDE BLOCK WASHER RETAINING RING	897	225498	ROLLER PRESSER HINGE SCREW NUT WRENCH
941	508376	KNIFE DRIVING BAR SLIDE BLOCK WASHER	899	225498	SCREW DRIVER
942	508361	KNIFE DRIVING BAR COVER PLATE	900	144465	WRENCH (1/8 INCH HEXAGON)
943	201341-830	KNIFE DRIVING BAR COVER PLATE SCREW (2)	901	233939	BOBBIN (2)
944	200077-804	KNIFE BAR BUSHING SCREW	902	228476	SCREW DRIVER (BOBBIN CASE)
945	508345	KNIFE DRIVING CONNECTION CPL. 222013, 263623, 263624, 263627, 508378	903	041400	MACHINE REST PIN (WOOD)
946	508378	KNIFE BAR CONNECTION ROD	904	263577	PULLEY SPREADER CONE ADJUSTING KEY
947	508382	KNIFE BAR POSITION PLATE CPL. TWO EACH 910, 1735	960	241574	KNIFE (3)
948	001735-819	KNIFE BAR POSITION PLATE NUT (2)	---	1740-14-1	NEEDLE (5)
949	000910-833	KNIFE BAR POSITION PLATE SET SCREW (2)			
950	201402-803	KNIFE BAR POSITION PLATE SCREW (2)			
951	508381	KNIFE BAR GUIDE			
952	200380-830	KNIFE BAR GUIDE SET SCREW (2)			
953	508380	KNIFE BAR CPL. 508377, 508384, 508388, TWO EACH 208, 500323			
954	508388	KNIFE BAR			
955	000208-830	KNIFE BAR GUIDE SET SCREW (2)			
956	508384	KNIFE BAR GUIDE			
957	500323-830	KNIFE BAR SCREW (2)			
958	508377	KNIFE BRACKET CPL. TWO 500322			
959	500322-830	KNIFE BRACKET SCREW (2)			
960	241574	KNIFE			
961	508368	KNIFE DRIVING BAR GUIDE RAIL			
962	512020	KNIFE DRIVING BAR GUIDE RAIL PIN			
963	508379	KNIFE DRIVING BAR GUIDE RAIL			
964	508392-445	THROAT PLATE, 55 ELONGATED NEEDLE HOLE, (MINIMUM TRIMMING MARGIN .045) CPL. 141583, 508385, 508386-445, 508391-445			
965	508386-445	THROAT PLATE KNIFE FOLLOWER (.045")			
966	508385	THROAT PLATE KNIFE FOLLOWER SPRING			
967	508391-445	THROAT PLATE BODY (.045")			
968	141583-830	THROAT PLATE KNIFE FOLLOWER SCREW			
969	500324-830	THROAT PLATE SCREW (2)			
970	263782	ARM SHAFT BUSHING (FRONT) WITH 203100			
971	508375	KNIFE DRIVING ECCENTRIC CPL. TWO 624			
972	000624-833	KNIFE DRIVING ECCENTRIC SET SCREW (2)			
973	508383	NEEDLE BAR WITH 735			
974	000735-803	NEEDLE SET SCREW			
975	508387	HOOK AND BOBBIN CASE CPL. 241677, 508389			
976	508389	HOOK CPL. 201253, 201376, 241604, 263563, TWO 201409			
977	508370	HOOK POST CPL. 202, 212, 51326, 141580, 203478, 234426, 263421, 263476, 263480, 263481, 263482, 263568, 263593, 263594, 263826, 263833, 263837, 263838, 263899, 263522, 350611, 508387, TWO EACH 1448, 141674			
978	263839	HOOK SHAFT (VERTICAL) THRUST COLLAR WITH TWO 458			
979	000458-830	HOOK SHAFT (VERTICAL) THRUST COLLAR SCREW (2)			
980	263838	HOOK SHAFT (VERTICAL) BEARING (LOWER)			
981	263837	HOOK SHAFT (VERTICAL)			
982	051326	HOOK SHAFT (VERTICAL) THRUST WASHER SCREW			

ACCESSORIES