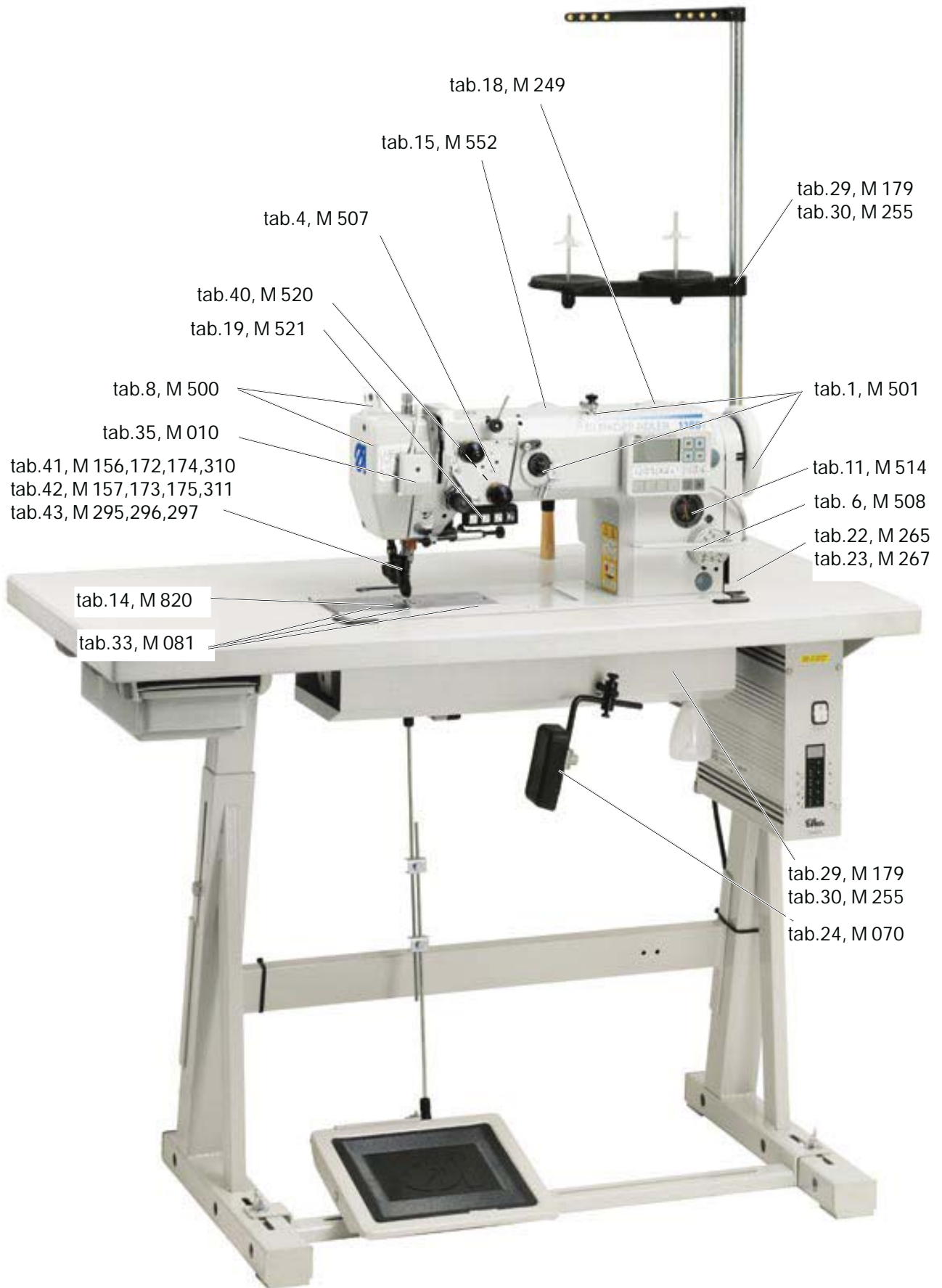




Spare parts list

1180i - 5



tab.18, M 249

tab.15, M 552

tab.29, M 179
tab.30, M 255

tab.4, M 507

tab.40, M 520
tab.19, M 521

tab.8, M 500

tab.1, M 501

tab.35, M 010

tab.41, M 156,172,174,310
tab.42, M 157,173,175,311
tab.43, M 295,296,297

tab.11, M 514

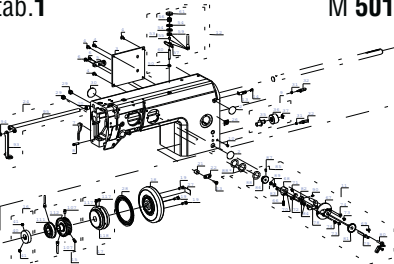
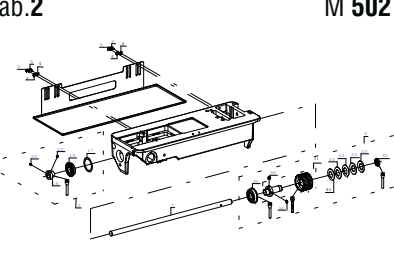
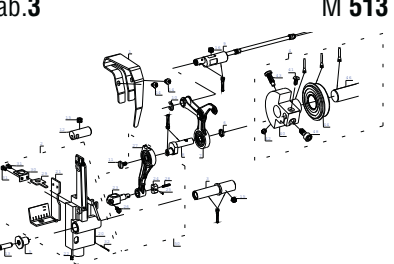
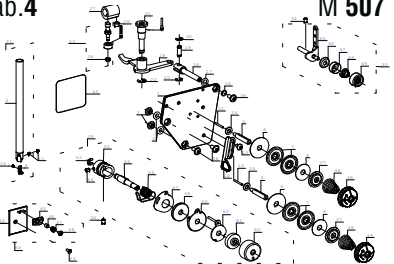
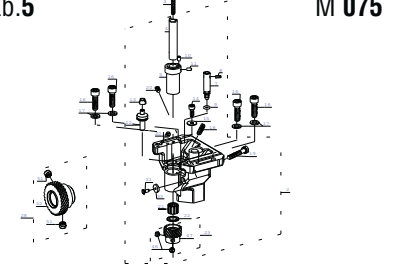
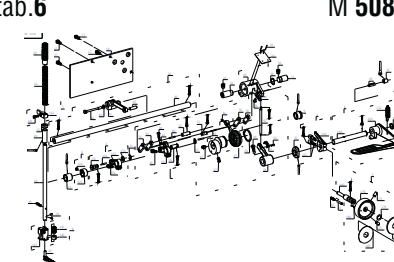
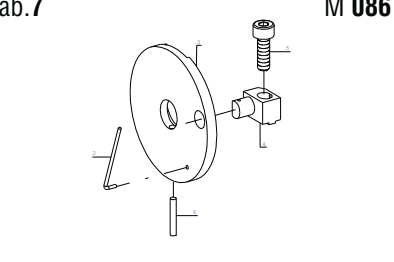
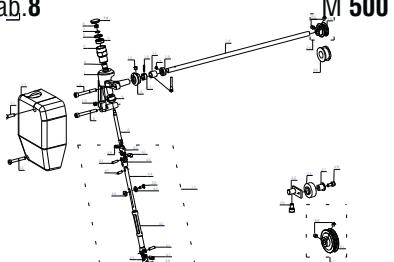
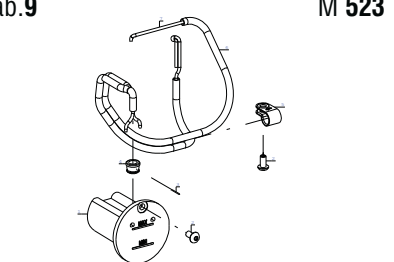
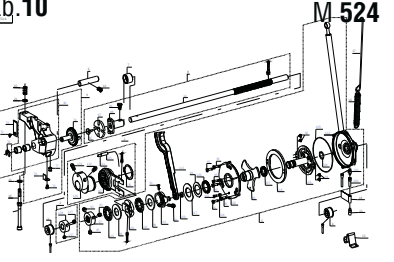
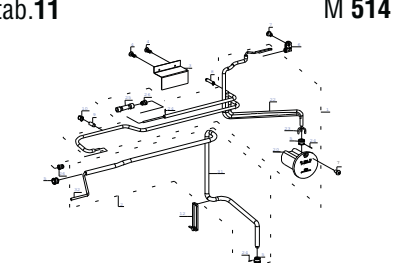
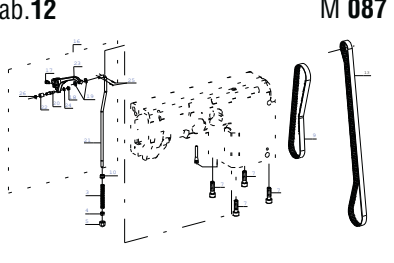
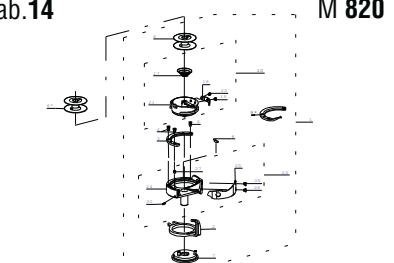
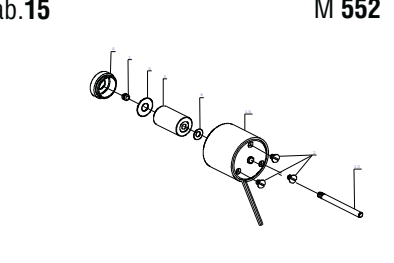
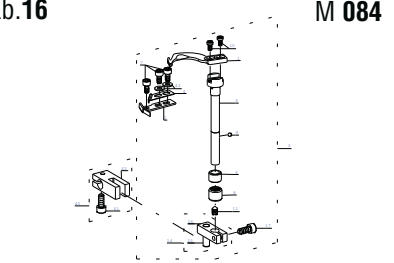
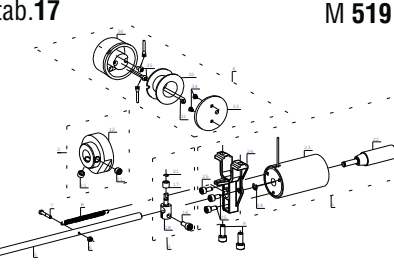
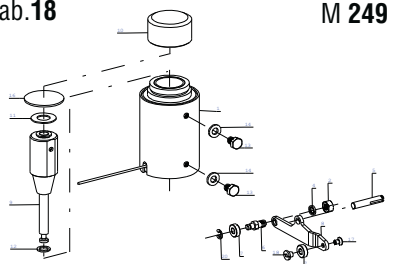
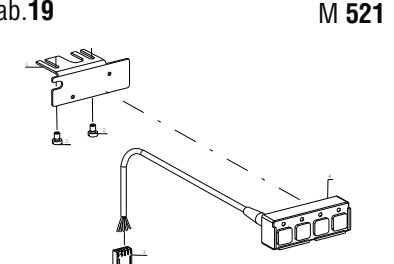
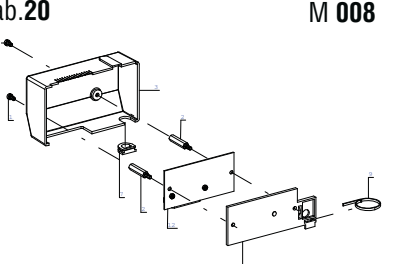
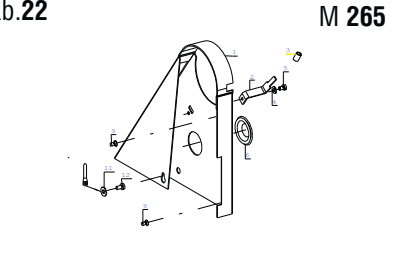
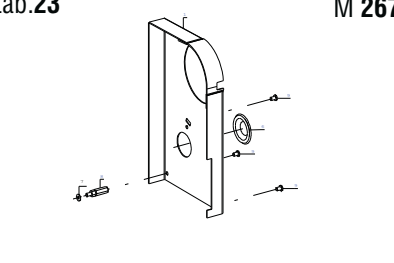
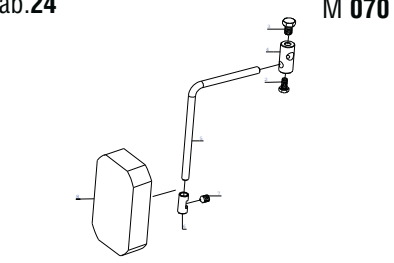
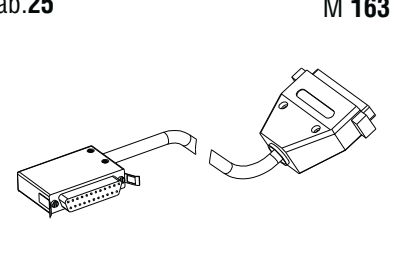
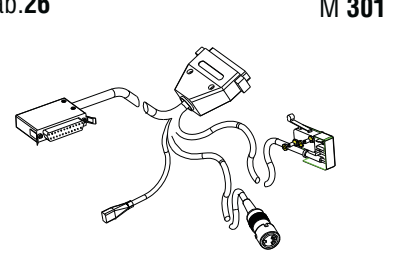
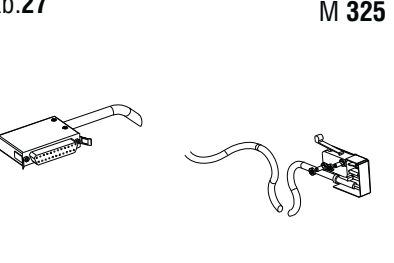
tab. 6, M 508

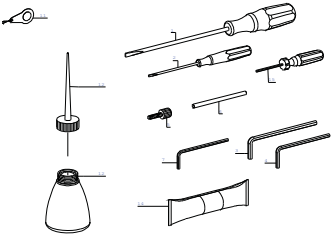
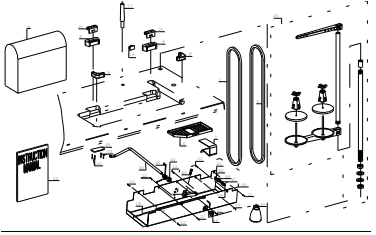
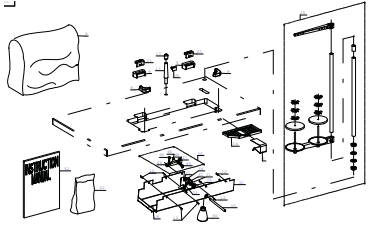
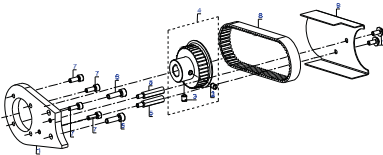
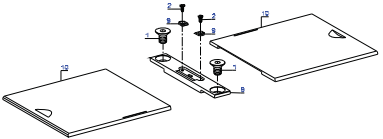
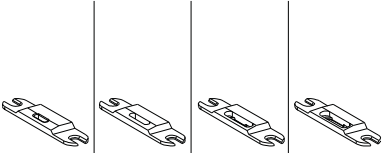
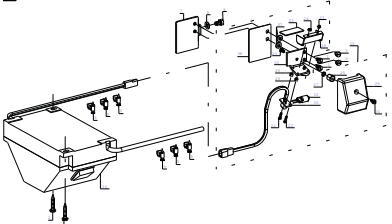
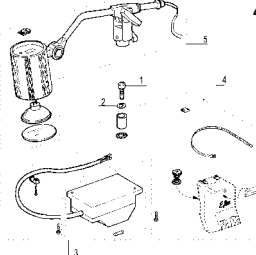
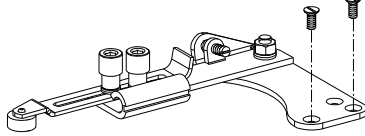
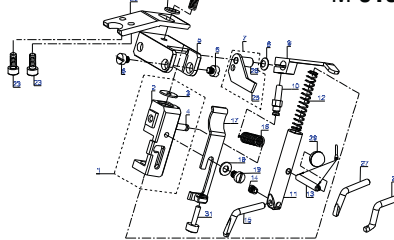
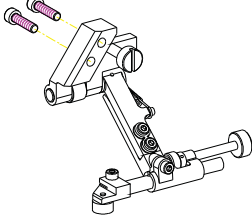
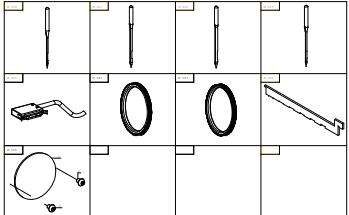
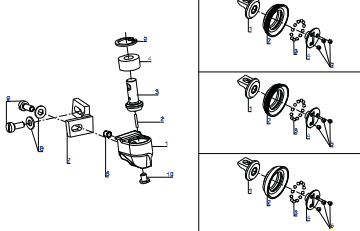
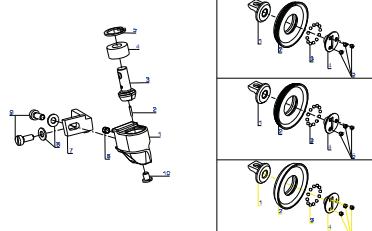
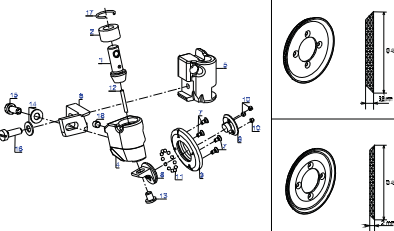
tab.22, M 265
tab.23, M 267

tab.14, M 820

tab.33, M 081

tab.29, M 179
tab.30, M 255
tab.24, M 070

| | | | | |
|--|---|--|---|---|
| <p>tab.1 M 501</p>  | <p>tab.2 M 502</p>  | <p>tab.3 M 513</p>  | <p>tab.4 M 507</p>  | <p>tab.5 M 075</p>  |
| <p>tab.6 M 508</p>  | <p>tab.7 M 086</p>  | <p>tab.8 M 500</p>  | <p>tab.9 M 523</p>  | <p>tab.10 M 524</p>  |
| <p>tab.11 M 514</p>  | <p>tab.12 M 087</p>  | <p>tab.14 M 820</p>  | <p>tab.15 M 552</p>  | <p>tab.16 M 084</p>  |
| <p>tab.17 M 519</p>  | <p>tab.18 M 249</p>  | <p>tab.19 M 521</p>  | <p>tab.20 M 008</p>  | <p>tab.22 M 265</p>  |
| <p>tab.23 M 267</p>  | <p>tab.24 M 070</p>  | <p>tab.25 M 163</p>  | <p>tab.26 M 301</p>  | <p>tab.27 M 325</p>  |

| | | | | |
|--|---|--|---|---|
| <p>tab.28 M 015</p>  | <p>tab.29 M 179</p>  | <p>tab.30 M 255</p>  | <p>tab.31 M 300</p>  | <p>tab.33 M 081</p>  |
| <p>tab.34 M 101,102,103,104</p>  | <p>tab.35 M 010</p>  | <p>tab.36 Z 012</p>  | <p>tab.37 M 198</p>  | <p>tab.38 M 018</p>  |
| <p>tab.39 M 149</p>  | <p>tab.40 M 020,023,021,022,055,082,083,242,520</p>  | <p>tab.41 M 156,172,174,310</p>  | <p>tab.42 M 157,173,175,311</p>  | <p>tab.43 M 295,296,297</p>  |
| Empty cell | Empty cell | Empty cell | Empty cell | Empty cell |
| Empty cell | Empty cell | Empty cell | Empty cell | Empty cell |

How to read the spare parts list :

- The list is grouped according to construction modules. A module is a group of parts fulfilling in the machine a concrete function. The abbreviated module designation is given in the left top corner both of the drawing and of the text. The complete module designation (as given in the delivery note) is related to the abbreviated designation as follows:

Abbreviated Complete
MXXX = S980 000XXX


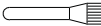
Items in the order are presented under complete code (ten-digit number)

- This catalogue is common for a number of machine models whose type designation agrees with the first five digits printed on the catalogue cover. The complete type designation of the machine is then used for identifying the modules (lists of parts) mounted on the machine in question.

The complete type designation has the following structure:

XXXX - XXX - XXX
Class Subclass Sewing category

The contents is divided into sections corresponding to this structure. A table situated at the head of each section gives information on which modules are applied to a particular machine model. The machine class and subclass are printed on the label situated on the machine bed plate and visible with tilted machine head. The sewing category is indicated on the tag supplied together with the machine.

- All items, the complete code (ten-digit number) of which are presented in the tables there is possible to order as spare parts.
- The symbol  shows that the part is to be lubricated by grease (used for the machine assembly).
- The symbol  shows that the part is glued (used for the machine assembly).

Parts marked in the drawings with the symbol * and with the remark * SPARE PARTS SUPPLIED WITH THE MACHINE are attached with head of machine.

CONTENTS :

Modules of machine head and of enclosed accessories

| Abbreviated module No. | Ordering (complete) module No. | Denomination | Table No. |
|---|--------------------------------|---|-----------|
| Class (modules identical for all subclasses) | | | |
| M 501 | | Machine arm | 1 |
| M 502 | | Bed plate | 2 |
| M 513 | | Needle and thread mechanism | 3 |
| M 507 | | Thread tensioner plate | 4 |
| M 075 | | Hook box | 5 |
| M 508 | | Needle feeding | 6 |
| M 086 | | Guide of lower wheel feed | 7 |
| M 500 | | Top roller drive | 8 |
| M 523 | | Hook lubrication | 9 |
| M 524 | | Lower feed wheel | 10 |
| M 514 | | Lubrication | 11 |
| M 087 | | Universal part group for flat bed machines | 12 |
| Subclass | | | |
| - | | Table of subclasses | 13 |
| M 820 | | Sewing hook | 14 |
| M 552 | S980 000552 | Electromagnetically controlled top roller lifting | 15 |
| M 084 | S980 000084 | Thread trimmer | 16 |
| M 519 | S980 000519 | Thread trimmer drive | 17 |
| M 249 | S980 000249 | Electromagnetically controlled backtacking | 18 |
| M 521 | S980 000521 | Push-button panel | 19 |
| M 008 | S980 000008 | Electrical switch board | 20 |
| M 520 | S980 000520 | Parts for machine without trimming | 40 |

| Abbreviated module No. | Ordering (complete) module No. | Denomination | Table No. |
|----------------------------|-----------------------------------|---|-----------|
| Parts sets | | | |
| - | | Table of parts sets | 21 |
| | 1100 001000 | Parts set for V-belt drive (clutch motor) | 21 |
| | 1100 007000 | Parts set for V-belt drive (stopmotor EFKA) | 21 |
| | 1100 007100 | Parts set for V-belt drive (without stopmotor) | 21 |
| | 1100 009000 | Parts set for indented belt drive (minimotor EFKA) | 21 |
| | 1100 009100 | Parts set for indented belt drive (without minimotor) * | 21 |
| Sewing equipment | | | |
| - | | Table of sewing equipment | 32 |
| | 1180 E50100 | Sewing set for needles 60-80 class 100 | 32 |
| | 1180 E50200 | Sewing set for needles 80-110 class 200 | 32 |
| | 1180 E50300 | Sewing set for needles 110-140 class 300 | 32 |
| | 1180 E50400 | Sewing set for needles 160-180 class 400 | 32 |
| Optional equipments | | | |
| M 010 | S980 000010 | Lighting | 35 |
| Z 012 | S794 222012 | Lighting halogen (12 V, 20 W - contains transformer) | 36 |
| M 198 | S980 000198 | Sewn work guide | 37 |
| M 018 | S980 000018 | Sewn work guide | 38 |
| M 149 | S980 000149 | Sewn work guide | 39 |
| M 242 | S980 000242 | Adjustable gauge | 40 |
| M 326 | S980 000326 | Top roller ø 25 mm cpl. (contain M 156,M 172) | 41 |
| M 327 | S980 000327 | Top roller ø 25 mm rubber coated cpl. (contain M 156,M 174) | 41 |
| M 328 | S980 000328 | Top roller ø 25 mm smooth cpl. (contain M 156,M 310) | 41 |
| M 329 | S980 000329 | Top roller ø 35 mm cpl. (contain M 157,M 173) | 42 |
| M 330 | S980 000330 | Top roller ø 35 mm rubber coated cpl. (contain M 157,M 175) | 42 |
| M 331 | S980 000331 | Top roller ø 35 mm smooth cpl. (contain M 157,M 311) | 42 |
| M 332 | S980 000332 | Top roller ø 45 mm, width 2.0 mm cpl. (contain M 295,M 296) | 43 |
| M 333 | S980 000333 | Top roller ø 45 mm, width 3.8 mm cpl. (contain M 295,M 297) | 43 |

*Delivery is possible with another minimotor than EFKA.

Table of subclasses machines and remove modules

| | Module | | | | | | | | | | | | |
|------------------|--------------|-------------------------|---|----------------|--------------|----------------------|--|-------------------|--|--|--|--|--|
| | Sewing hook | Electrical switch board | Electromagnetically controlled top roller lifting | Thread trimmer | Set of parts | Thread trimmer drive | Electromagnetically controlled backtacking | Push-button panel | | | | | |
| Classe-subclasse | M 820 | M 008 | M 552 | M 084 | M 520 | M 519 | M 249 | M 521 | | | | | |
| 1180i - 511 | ● | | | | ● | | | | | | | | |
| 1180i - 547 | ● | ● | ● | ● | | ● | ● | ● | | | | | |

Table of parts sets

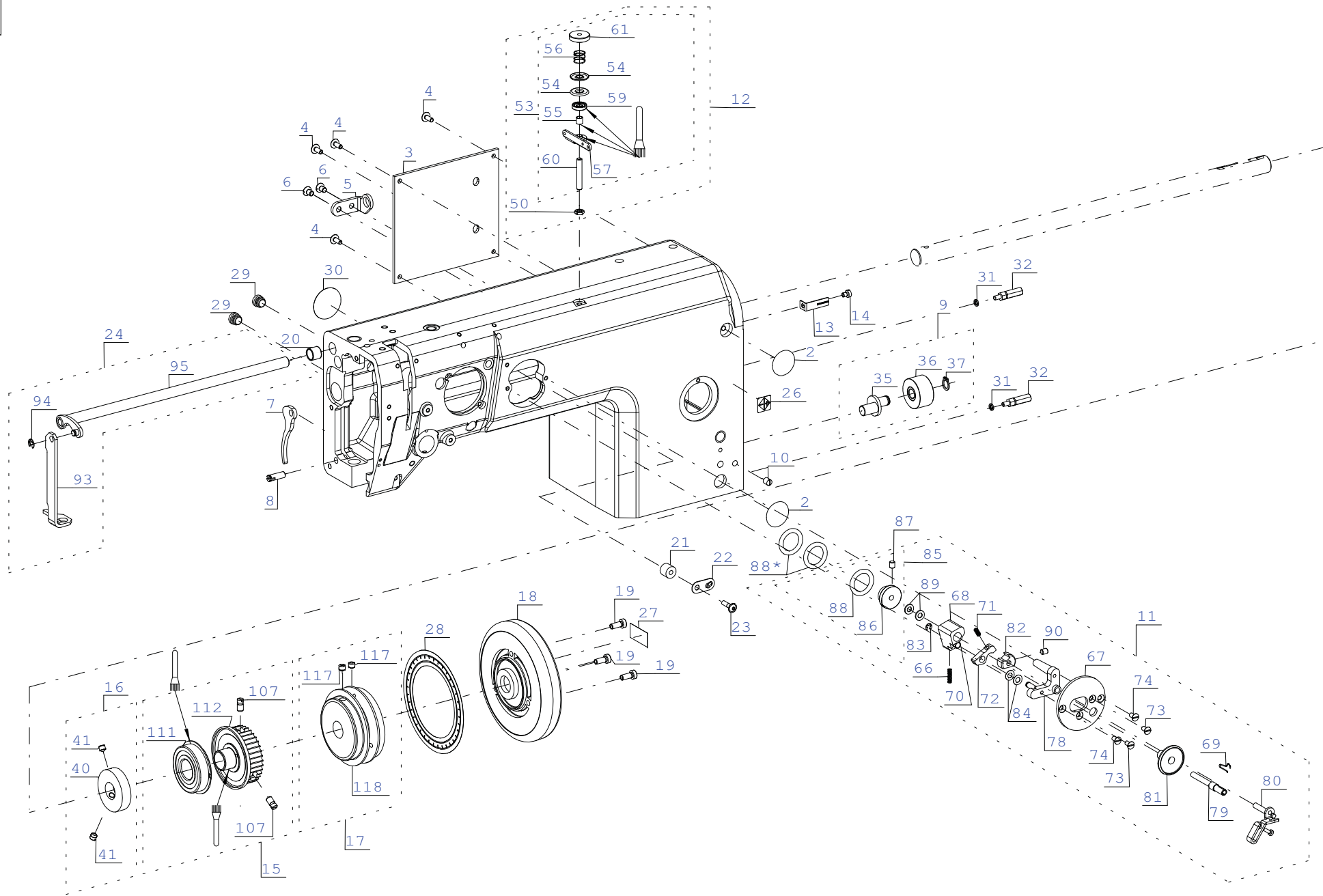
(delivered with head of sewing machine)

| Parts set | Cover of belt | Knee lever | Connecting cable | Standard accessories | Special accessories | Set for mini-stop |
|-------------|---------------------|---------------------|---------------------|----------------------|---------------------|---------------------|
| 1100 001000 | M 265 tab.22 | M 070 tab.24 | | M 015 tab.28 | M 179 tab.29 | |
| 1100 007000 | M 265 tab.22 | M 070 tab.24 | M 163 tab.25 | M 015 tab.28 | M 179 tab.29 | |
| 1100 007100 | M 265 tab.22 | M 070 tab.24 | M 055 tab.40 | M 015 tab.28 | M 179 tab.29 | |
| 1100 009000 | M 267 tab.23 | M 070 tab.24 | M 301 tab.26 | M 015 tab.28 | M 255 tab.30 | M 300 tab.31 |
| 1100 009100 | M 267 tab.23 | M 070 tab.24 | M 325 tab.27 | M 015 tab.28 | M 255 tab.30 | M 300 tab.31 |

Table of sewing equipment

Standard sewing equipment 1180i - 5

| Class, subclass, sewing category | Equipment No. | Sewing material | | | | | | | | | | | | | | | | | | |
|----------------------------------|---------------|-----------------------|------------------------|-------------------|---------------------|----------------------|----------|------------|-------------------|---------------------------|------------------------------|------------------------|--------|-----------------------|--------------------|-------------------|-------------------------------|--------------------------------|-------------------------------|-------------------------------|
| | | | Distance between seams | Throat plate cpl. | Throat plate insert | Needle aperture (mm) | Feed dog | Feed wheel | Driven top roller | Holder for the top roller | Top roller diameter by width | Flat presser foot (mm) | Needle | Needle system and No. | Front needle guide | Rear needle guide | Left-side needle guide washer | Right-side needle guide washer | Lower cutter of sewn material | Upper cutter of sewn material |
| 1180i-5XX-100 | 1180 E50100 | light L | | M 081 tab.33 | M 101 tab.34 | 1,2 | | | M 083 tab.40 | M 173 tab.42 | M 157 tab.42 | ø 35 x 3,8 | | M 020 tab.40 | 134 LR - 80 | | | | | |
| 1180i-5XX-200 | 1180 E50200 | medium M | | M 081 tab.33 | M 102 tab.34 | 1,5 | | | M 083 tab.40 | M 173 tab.42 | M 157 tab.42 | ø 35 x 3,8 | | M 023 tab.40 | 134 LR - 100 | | | | | |
| 1180i-5XX-300 | 1180 E50300 | medium-heavy M - H | | M 081 tab.33 | M 103 tab.34 | 2 | | | M 083 tab.40 | M 173 tab.42 | M 157 tab.42 | ø 35 x 3,8 | | M 021 tab.40 | 134 KCLR - 130 | | | | | |
| 1180i-5XX-400 | 1180 E50400 | heavy H | | M 081 tab.33 | M 104 tab.34 | 2,4 | | | M 082 tab.40 | M 173 tab.42 | M 157 tab.42 | ø 35 x 3,8 | | M 022 tab.40 | 134 KCLR - 160 | | | | | |

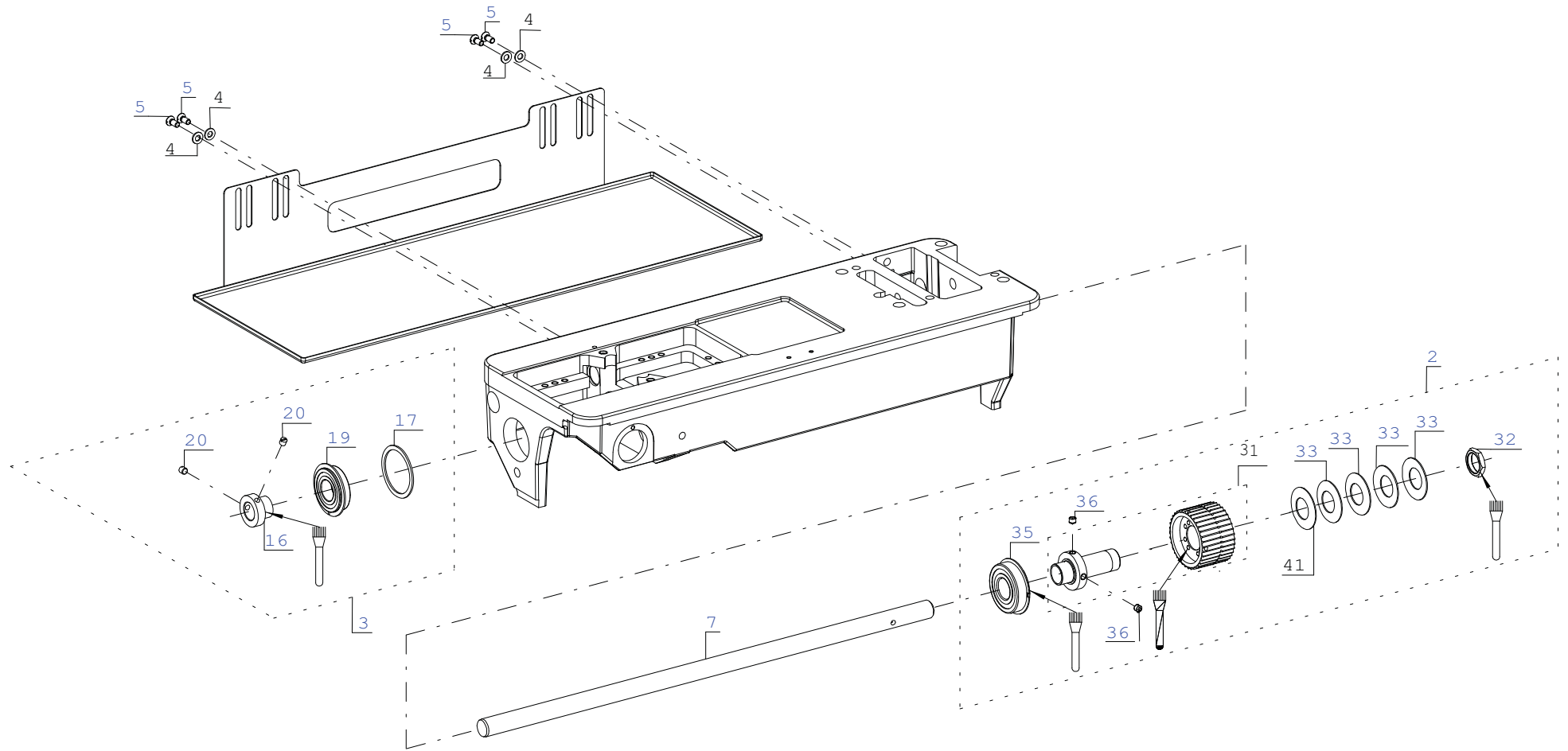


* SPARE PARTS SUPPLIED WITH THE MACHINE

M 501

| Pos. Det. | Dílec č. Part No. | Název | Denomination |
|--------------|----------------------|-----------------------------|---|
| 2 | S321 00000 | ZÁTKA | PLUG |
| 3 | S080 831665 | KRYT ZADNÍ | COVER BACK |
| 4 | S309 000410 | ŠROUB M4 x 10 | SCREW M4 x 10 |
| 5 | S080 836476 | KONZOLA | CONSOLE |
| 6 | S080 126102 | ŠROUB M5 x 8 | SCREW M5 x 8 |
| 7 | S080 615021 | ZVEDACÍ PÁKA | LIFTING LEVER |
| 8 | S080 310468 | KOLÍK | PIN |
| 9 | S981 043510 | NAPÍNACÍ KLADKA ÚPL. | TENSION ROLLER CPL. |
| 10 | 0244 000700 | ŠROUB | SCREW |
| 11 | S981 036164 | NAVÍJEČ | WINDER |
| 12 | S981 025290 | VODIČ | GUIDE |
| 13 | S080 836485 | ŠIPKA | ARROW |
| 14 | S309 738406 | ŠROUB M4 x 6 | SCREW M4 x 6 |
| 15 | S981 045576 | PÁSOVÉ KOLO ÚPLNÉ | BELT WHEEL CPL. |
| 16 | S981 045572 | KOLO NAVÍJEČE ÚPLNÉ | WHEEL OF WINDER CPL. |
| 17 | S981 045570 | ŘEMENICE ÚPLNÁ | PULLEY CPL. |
| 18 | S980 027610 | RUČNÍ KOLO | HAND WHEEL |
| 19 | S309 798511 | ŠROUB | SCREW |
| 20 | S323 007065 | LOŽISKO KU 1010 | BEARING KU 1010 |
| 21 | S080 190707 | DISTANČNÍ KROUŽEK | DISTANCE RING |
| 22 | 0271 000260 | Nůž | KNIFE |
| 23 | S309 000416 | ŠROUB | SCREW |
| 24 | S981 043496 | ZVEDACÍ HRÍDEL | LIFTING SHAFT |
| 26 | S080 955135 | ŠTÍTEK KNOFLÍKU DÉLKY STEHU | LABEL RELATED TO STITCH LENGHT REGULATION KNOB |
| 27 | S080 955132 | ŠIPKA SMĚRU OTÁČENÍ | ARROW OF ROTATION SENSE |
| 28 | S735 955136 | STUPNICE RUČNÍHO KOLA | HAND WHEEL SCALE |
| 29 | S321 001000 | ZÁTKA PE | PLUG |
| 30 | S735 953288 | ŠTÍTEK | LABEL |
| 31 | S080 191120 | PODLOŽKA | WASHER |
| 32 | S080 146058 | ŠROUB | SCREW |
| 35 | | VIZ POS. 9 | SEE 9 |
| 36 | | VIZ POS. 9 | SEE 9 |
| 37 | 9352 000090 | POJ. KROUŽEK | RETAINING RING |
| 40 | | VIZ POS. 16 | SEE 16 |
| 41 | 0244 000700 | ŠROUB | SCREW |
| 50 | S080 161138 | MATICE | NUT |
| 53 | 0221 110154 | VODIČ ÚPLNÝ | GUIDE CPL. |
| 54 | 0037 001280 | PODLOŽKA NAPÍNAČE | WASHER OF TENSIONER |
| 55 | | VIZ POS. 12 | SEE 12 |
| 56 | 0396 110470 | PRUŽINA | SPRING |
| 57 | | VIZ POS. 12 | SEE 12 |
| 59 | | VIZ POS. 12 | SEE 12 |
| 60 | | VIZ POS. 12 | SEE 12 |
| 61 | 0993 411208 | RÝH. MATICE | KNURLED NUT |
| 66 | 0067 320150 | PRUŽINA | SPRING |
| 67 | | VIZ POS. 65 | SEE 65 |
| 68 | | VIZ POS. 65 | SEE 65 |
| 69 | 0367 170040 | PRUŽINA | SPRING |
| 70 | 0396 170060 | POUZDRO | CASE |
| 71 | 0396 170080 | PRUŽINA | SPRING |
| 72 | | VIZ POS. 11 | SEE 11 |
| 73 | 9225 201740 | ŠROUB M4 x 6 | SCREW |
| 74 | 0993 031357 | ŠROUB M4 x 8 | SCREW |
| 78 | 0268 170063 | TĚLESO NAVÍJEČE | BODY OF WINDER |
| 79 | S981 043503 | HRÍDEL ÚPLNÁ | SHAFT CPL. |
| 80 | 0268 170103 | PÁKA ÚPLNÁ | LEVER CPL. |
| 81 | | VIZ POS. 11 | SEE 11 |

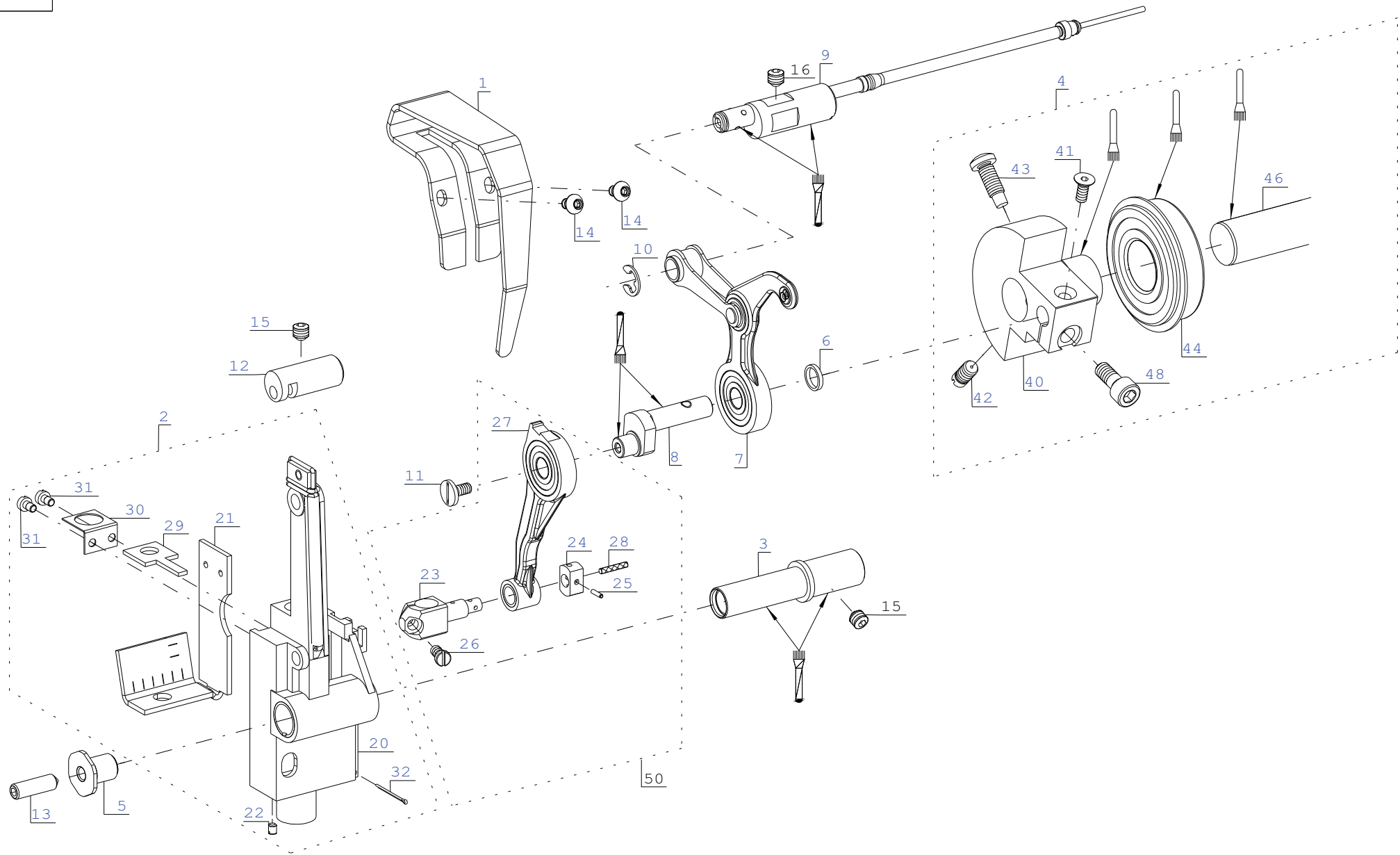
| Pos. Det. | Dílec č. Part No. | Název | Denomination |
|--------------|----------------------|---------------|-----------------|
| 82 | | VIZ POS. 11 | SEE 11 |
| 83 | 9357 000050 | PODLOŽKA | WASHER |
| 84 | | VIZ POS. 11 | SEE 11 |
| 85 | 0367 170083 | KOLO NAVÍJEČE | WHEEL OF WINDER |
| 86 | | VIZ POS. 11 | SEE 11 |
| 87 | 9205 102168 | ŠROUB M5 x 6 | SCREW M5 x 6 |
| 88 | 0998 861590 | O-KROUŽEK | O-RING |
| 89 | | VIZ POS. 11 | SEE 11 |
| 90 | 0993 060967 | ŠROUB | SCREW |
| 93 | S080 839312 | ZVEDACÍ PLECH | LIFTING SHEET |
| 94 | S311 732050 | POJ. KROUŽEK | RETAINING RING |
| 95 | S980 060175 | PÁKA | LEVER |
| 107 | 0244 000700 | ŠROUB | SCREW |
| 111 | | VIZ POS. 15 | SEE 15 |
| 112 | | VIZ POS. 15 | SEE 15 |
| 117 | 0244 000700 | ŠROUB | SCREW |
| 118 | | VIZ POS. 17 | SEE 17 |



M 502

| Pos. Det. | Dílec č. Part No. | Název | Denomination |
|--------------|----------------------|-----------------------|--------------------|
| 2 | S981 045573 | POJISTNÁ SPOJKA ÚPLNÁ | SAFETY CLUTCH CPL. |
| 3 | S981 052036 | LOŽISKO ÚPLNÉ | BEARING CPL. |
| 4 | 9330 000098 | PODLOŽKA | WASHER |
| 5 | S080 126096 | ŠROUB M5 x 12 | SCREW M5 x 12 |
| 7 | S080 341261 | SPODNÍ HRÍDEL | LOWER SHAFT |
| 16 | | VIZ POS. 3 | SEE 3 |
| 17 | | VIZ POS. 3 | SEE 3 |
| 19 | | VIZ POS. 3 | SEE 3 |
| 20 | S080 111343 | ŠROUB | SCREW |
| 31 | S980 045574 | OZUBENÁ ŘEMENICE | TOOTHED WHEEL |
| 32 | S080 161339 | MATICE | NUT |
| 33 | S080 420010 | TALÍŘOVÁ PRUŽINA | WASHER SPRING |
| 35 | S324 049910 | LOŽISKO ÚPLNÉ | BEARING CPL. |
| 36 | 0244 000700 | ŠROUB | SCREW |
| 41 | S311 988232 | TALÍŘOVÁ PRUŽINA | WASHER SPRING |

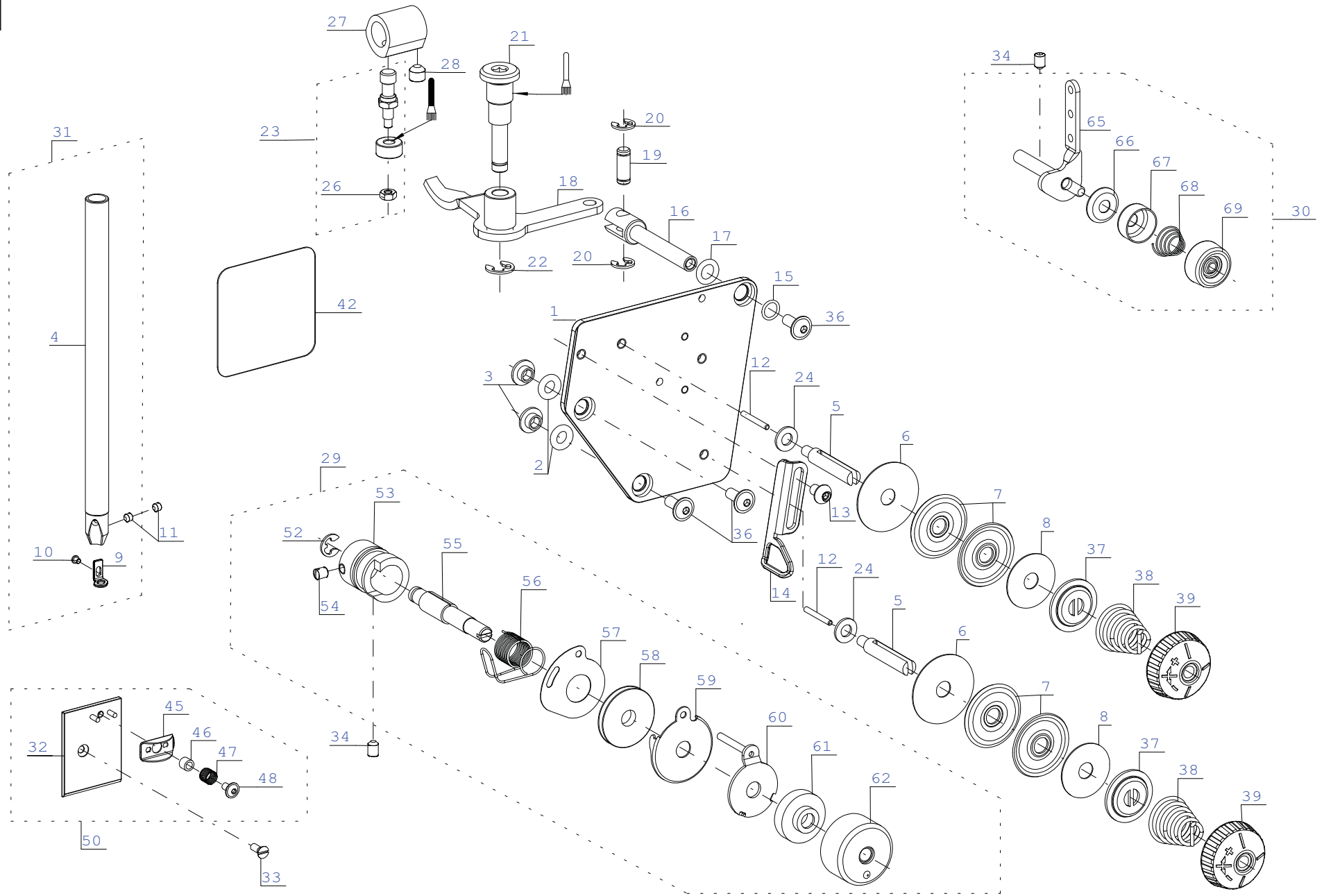
| Pos. Det. | Dílec č. Part No. | Název | Denomination |
|--------------|----------------------|-------|--------------|
|--------------|----------------------|-------|--------------|



M 513

| Pos. Det. | Dílec č. Part No. | Název | Denomination |
|--------------|----------------------|--------------------|----------------------|
| 1 | S080 831666 | KRYT | COVER |
| 2 | S981 021403 | DRŽÁK JEHELNÍ TYČE | HOLDER OF NEEDLE BAR |
| 3 | S080 330134 | ČEP | PIN |
| 4 | S981 052076 | HLAVA KLIKY ÚPLNÁ | HEAD OF CRANK CPL. |
| 5 | S080 146063 | ŠROUB | SCREW |
| 6 | S080 410680 | KROUŽEK | RING |
| 7 | S980 021396 | NIŤOVÁ PÁKA ÚPLNÁ | TAKE UP LEVER CPL. |
| 8 | S080 338229 | KLIKA | CRANK |
| 9 | S980 025305 | VÝSTŘEDNÍK ÚPLNÝ | ECCENTRIC CPL. |
| 10 | S311 732060 | POJ. KROUŽEK | RETAINING RING |
| 11 | S080 153045 | ŠROUB | SCREW |
| 12 | S080 328235 | ČEP | PIN |
| 13 | S309 791616 | ŠROUB | SCREW |
| 14 | S309 738406 | ŠROUB | SCREW |
| 15 | 0244 000700 | ŠROUB | SCREW |
| 16 | 9205 102473 | ŠROUB | SCREW |
| 20 | | VIZ POS. 2 | SEE 2 |
| 21 | | VIZ POS. 2 | SEE 2 |
| 22 | S080 111223 | ŠROUB | SCREW |
| 23 | | VIZ POS. 50 | SEE 50 |
| 24 | | VIZ POS. 50 | SEE 50 |
| 25 | S311 515091 | KOLÍK 1,6 x 6 | PIN 1.6 x 6 |
| 26 | S080 124050 | ŠROUB | SCREW |
| 27 | | VIZ POS. 50 | SEE 50 |
| 28 | S708 130002 | VIZ POS. 50 | SEE 50 |
| 29 | | VIZ POS. 2 | SEE 2 |
| 30 | S080 826403 | PŘÍCHYTKA | CLIP |
| 31 | S080 120367 | ŠROUB | SCREW |
| 32 | S311 318016 | ZÁVLAČKA | SPLIT PIN |
| 40 | | VIZ POS. 4 | SEE 4 |
| 41 | S311 799410 | ŠROUB M4 x 10 | SCREW M4 x 10 |
| 42 | 0244 000700 | ŠROUB | SCREW |
| 43 | S080 138009 | ŠROUB | SCREW |
| 44 | | VIZ POS. 4 | SEE 4 |
| 46 | | VIZ POS. 4 | SEE 4 |
| 48 | S080 120295 | ŠROUB | SCREW |
| 50 | S981 021405 | OJNICE ÚPLNÁ | ROD CPL. |

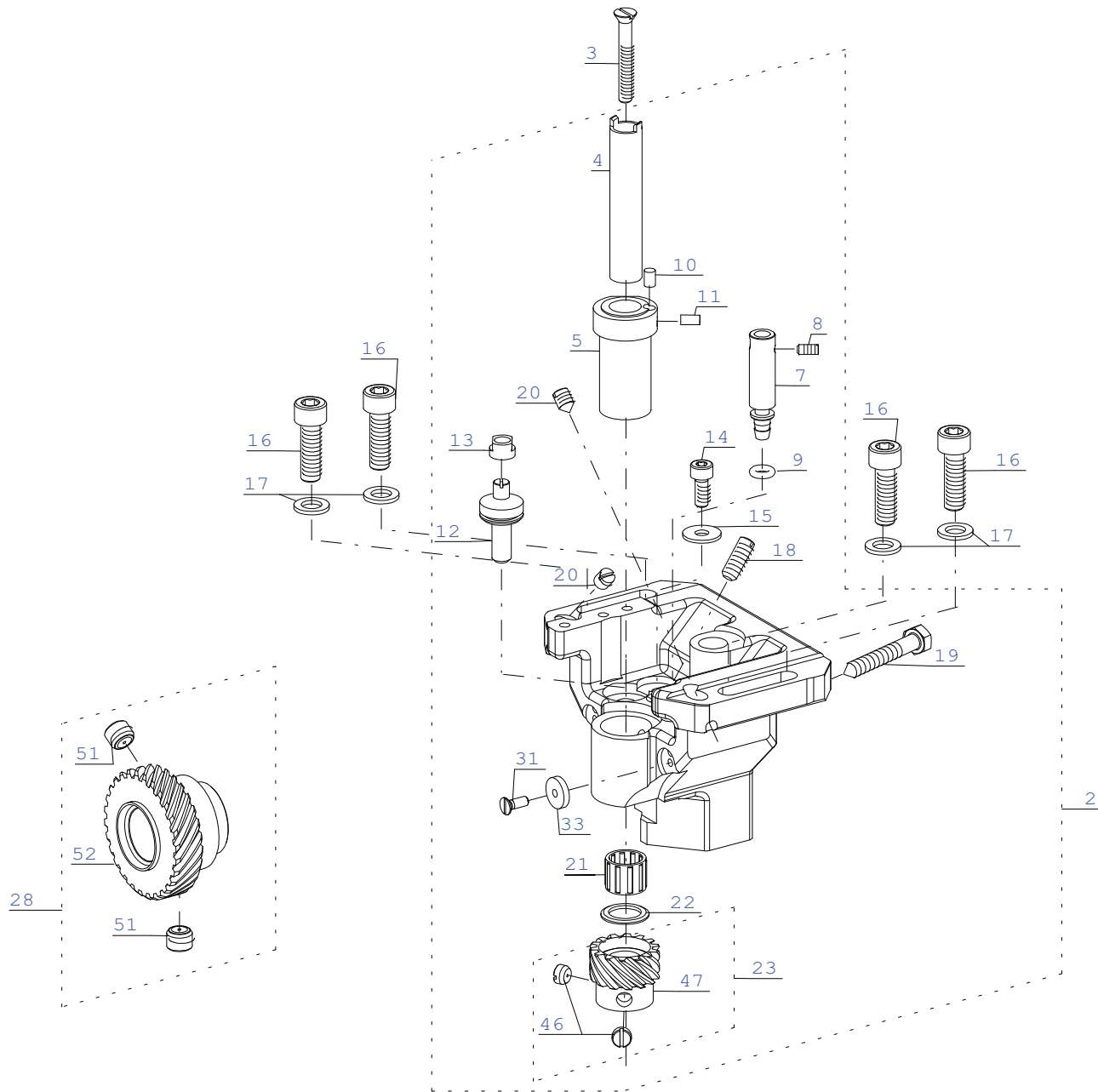
| Pos. Det. | Dílec č. Part No. | Název | Denomination |
|--------------|----------------------|-------|--------------|
|--------------|----------------------|-------|--------------|



M 507

| Pos. Det. | Dílec č. Part No. | Název | Denomination |
|--------------|----------------------|--------------------|------------------------|
| 1 | S080 826404 | DESKA | PLATE |
| 2 | S273 005025 | KROUŽEK | RING |
| 3 | S080 425329 | POUZDRO | CASE |
| 4 | | VIZ POS. 31 | SEE 31 |
| 5 | 0367 110120 | NAPÍNAČÍ ČEP | TENSION PIN |
| 6 | S321 941159 | PODLOŽKA | WASHER |
| 7 | 0467 110220 | MISKA NAPÍNAČE | DISH OF TENSIONER |
| 8 | S321 941158 | PODLOŽKA | WASHER |
| 9 | S080 821059 | VODIČ NITĚ | THREAD GUIDE |
| 10 | S080 124052 | ŠROUB | SCREW |
| 11 | 9205 101528 | ŠROUB | SCREW |
| 12 | S080 310478 | KOLÍK | PIN |
| 13 | S309 738406 | ŠROUB | SCREW |
| 14 | S080 821181 | VODIČ | GUIDE |
| 15 | S273 001000 | O-KROUŽEK | O-RING |
| 16 | S080 318256 | ČEP | PIN |
| 17 | 0265 000911 | O-KROUŽEK | O-RING |
| 18 | S980 047280 | PÁKA ÚPLNÁ | LEVER CPL. |
| 19 | S080 323203 | ČEP | PIN |
| 20 | S311 732032 | POJ. KROUŽEK | RETAINING RING |
| 21 | S080 142027 | ŠROUB | SCREW |
| 22 | S311 732050 | POJ. KROUŽEK | RETAINING RING |
| 23 | S981 060243 | KLADKA ÚPLNÁ | ROLLER CPL. |
| 24 | S080 190709 | PODLOŽKA | WASHER |
| 26 | 9234 000057 | MATICE | NUT |
| 27 | S080 436457 | STAVECÍ KROUŽEK | REGULATING RING |
| 28 | 0244 000700 | ŠROUB | SCREW |
| 29 | 0367 110164 | NAPÍNAČ NITĚ ÚPLNÝ | TENSIONER COMPLET CPL. |
| 30 | 0271 001391 | VODIČ ÚPLNÝ | GUIDE CPL. |
| 31 | S981 021399 | JEHELNÍ TYČ ÚPLNÁ | NEEDLE BAR CPL. |
| 32 | S980 060231 | DESKA ÚPLNÁ | PLATE CPL. |
| 33 | S080 126073 | ŠROUB | SCREW |
| 34 | 9205 101868 | ŠROUB | SCREW |
| 36 | S309 000410 | ŠROUB | SCREW |
| 37 | 0061 001050 | PODLOŽKA | WASHER |
| 38 | 0099 004800 | PRUŽINA | SPRING |
| 39 | 0271 000238 | MATICE | NUT |
| 42 | S735 955141 | SAMOLEPKA | LABEL |
| 45 | S080 839349 | PŘÍLOŽKA | SPLICE |
| 46 | S080 410699 | POUZDRO | CASE |
| 47 | S080 260617 | PRUŽINA | SPRING |
| 48 | S309 000306 | ŠROUB | SCREW |
| 50 | S981 025306 | VODIČ NITĚ ÚPLNÝ | THREAD GUIDE CPL. |
| 52 | 9357 000060 | POJ. KROUŽEK | RETAINING RING |
| 53 | 0367 110160 | POUZDRO | CASE |
| 54 | 0993 520940 | ŠROUB | SCREW |
| 55 | 0367 110170 | ČEP | PIN |
| 56 | 0068 004910 | PRUŽINA | SPRING |
| 57 | 0367 110350 | PODLOŽKA | WASHER |
| 58 | 0367 110340 | ROLNA | ROLLER |
| 59 | 0367 110360 | PODLOŽKA | WASHER |
| 60 | 0367 110183 | PODLOŽKA ÚPLNÁ | WASHER CPL. |
| 61 | 0367 110290 | POUZDRO | CASE |
| 62 | 0381 110043 | MATICE | NUT |
| 65 | 0271 001392 | VODIČ NITĚ | THREAD GUIDE |
| 66 | 0244 000415 | OBJÍMKA | SLEEVE |
| 67 | 0244 000414 | OBJÍMKA | SLEEVE |

| Pos. Det. | Dílec č. Part No. | Název | Denomination |
|--------------|----------------------|---------------|--------------|
| 68 | 0271 001397 | PRUŽINA | SPRING |
| 69 | 0271 001398 | RÝHOVÁ MATICE | MILLED NUT |

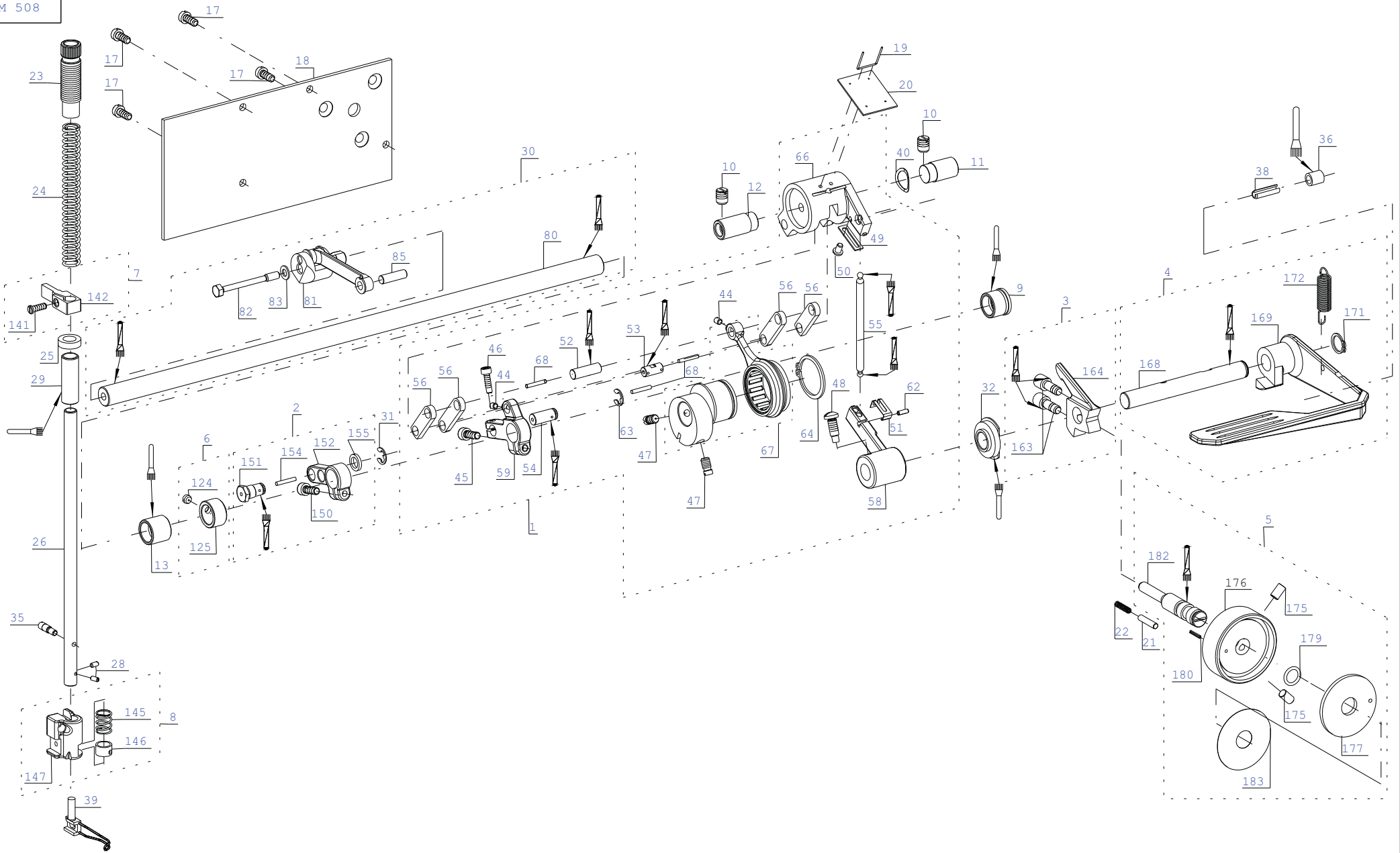


M 075

| Pos. Det. | Dílec č. Part No. | Název | Denomination |
|--------------|----------------------|--------------------|--------------------------|
| 2 | S981 023159 | NOSIČ CHAPAČE | POST BED FOR SEWING HOOK |
| 3 | S080 126178 | ŠROUB | SCREW |
| 4 | S080 345089 | HŘÍDEL | SHAFT |
| 5 | S080 426096 | POUZDRO | CASE |
| 7 | S080 346078 | MAZACÍ TRUBKA | LUBRICATING TUBE |
| 8 | S080 110105 | ŠROUB | SCREW |
| 9 | S273 002001 | O-KROUŽEK | O-RING |
| 10 | 0002 008308 3335 | MAZACÍ PLST | OIL FELT |
| 11 | S080 945379 | MAZACÍ PLST | OIL FELT |
| 12 | S080 338232 | ČEP | PIN |
| 13 | S080 452053 | SMYKADLO | BLOCK |
| 14 | 9202 002063 | ŠROUB M4 x 10 | SCREW M4 x 10 |
| 15 | S311 212043 | PODLOŽKA | WASHER |
| 16 | S080 120695 | ŠROUB | SCREW |
| 17 | S311 433060 | PODLOŽKA | WASHER |
| 18 | S309 281514 | ŠROUB M5 x 16 | SCREW M5 x 16 |
| 19 | S080 141322 | ŠROUB M5 x 30 | SCREW M5 x 30 |
| 20 | S080 112088 | ŠROUB M5 x 8 | SCREW M5 x 8 |
| 21 | S324 512910 | LOŽISKO | BEARING |
| 22 | S080 190681 | PODLOŽKA | WASHER |
| 23 | S981 045550 | OZUBENÉ KOLO ÚPLNÉ | TOOTHED WHEEL CPL. |
| 28 | S981 060189 | OZUBENÉ KOLO ÚPLNÉ | TOOTHED WHEEL CPL. |
| 31 | S080 126078 | ŠROUB M3 x 8 | SCREW M3 x 8 |
| 32 | S080 424164 | KONCOVKA | TERMINAL |
| 33 | S080 945387 | MAZACÍ PLST | OIL FELT |
| 34 | | VIZ POS. 2 | SEE 2 |
| 35 | | VIZ POS. 2 | SEE 2 |
| 36 | | VIZ POS. 2 | SEE 2 |
| 37 | S273 001003 | O-KROUŽEK | O-RING |
| 46 | S080 111375 | ŠROUB | SCREW |
| 47 | | VIZ POS. 23 | SEE 23 |
| 51 | S080 111376 | ŠROUB | SCREW |
| 52 | | VIZ POS. 28 | SEE 28 |

| Pos. Det. | Dílec č. Part No. | Název | Denomination |
|--------------|----------------------|-------|--------------|
|--------------|----------------------|-------|--------------|

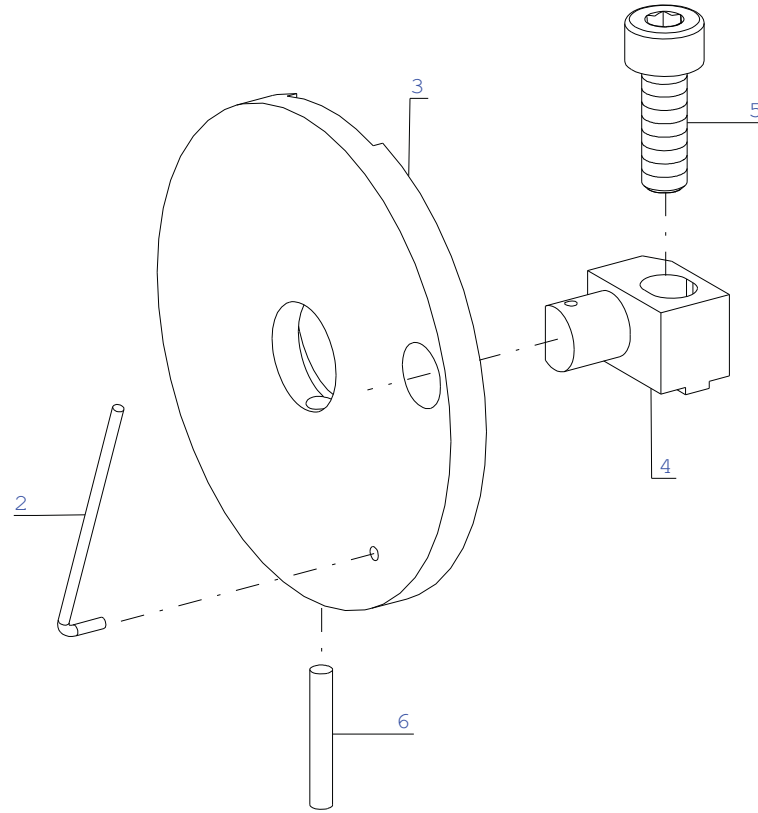
M 508



M 508

| Pos. Det. | Dílec č. Part No. | Název | Denomination |
|--------------|----------------------|-----------------------|---------------------------|
| 1 | S981 022881 | TŘMEN-SESTAVA | STIRRUP-ASSEMBLY |
| 2 | S981 060226 | PÁKA ÚPLNÁ | LEVER CPL. |
| 3 | S981 060193 | VAČKA ÚPLNÁ | CAM CPL |
| 4 | S981 060194 | ZPÁTKOVACÍ PÁKA | BACKTACKING LEVER |
| 5 | S981 060195 | KNOFLÍK ÚPLNÝ | BUTTON CPL. |
| 6 | S981 052044 | STAVĚCÍ KROUŽEK ÚPLNÝ | REGULATING RING CPL. |
| 7 | S981 052049 | VEDENÍ ÚPLNÉ | GUIDANCE CPL. |
| 8 | S981 052050 | OBJÍMKA ÚPLNÁ | SLEEVE CPL. |
| 9 | S080 425319 | POUZDRO | CASE |
| 10 | S080 111379 | ŠROUB | SCREW |
| 11 | S080 320342 | ČEP | PIN |
| 12 | S980 052070 | ČEP ÚPLNÝ | PIN CPL. |
| 13 | S080 410676 | POUZDRO | CASE |
| 17 | 9202 002477 | ŠROUB M5 x 12 | SCREW M5 x 12 |
| 18 | S080 831671 | KRYT ZADNÍ | COVER BACK |
| 19 | S080 271544 | SPONA | CLIP |
| 20 | S080 945397 | MAZACÍ VLOŽKA | LUBRICATION INSERT |
| 21 | S080 324062 | ČEP | PIN |
| 22 | S080 260604 | PRUŽINA | SPRING |
| 23 | S080 156045 | SEŘIZOVACÍ ŠROUB | SETTING-UP SCREW |
| 24 | S080 260602 | PRUŽINA | SPRING |
| 25 | S080 943221 | PODLOŽKA | WASHER |
| 26 | S080 392119 | PŘITLAČNÁ TYČ | PRESSURE BAR |
| 28 | S080 111029 | ŠROUB | SCREW |
| 29 | S080 412222 | POUZDRO | CASE |
| 30 | S981 043511 | HŘÍDEL ÚPLNÁ | BAR CPL. |
| 31 | S311 732060 | POJ. KROUŽEK | RETAINING RING |
| 32 | S080 425322 | POUZDRO | CASE |
| 35 | S080 135081 | ŠROUB | SCREW |
| 36 | S283 068001 | HADIČKA PVC OLEJ | HOSE PVC OIL |
| 38 | S311 515055 | KOLÍK 6 x 20 | PIN 6 x 20 |
| 39 | S980 052063 | CHRÁNIČ PRSTŮ | PROTECTOR OF FINGER GUARD |
| 40 | S080 281139 | PRUŽINA | SPRING |
| 44 | S080 112115 | ŠROUB M4 x 6 | SCREW M4 x 6 |
| 45 | S080 120364 | ŠROUB M5 x 14 | SCREW M5 x 14 |
| 46 | 9202 002088 | ŠROUB | SCREW |
| 47 | 0244 000700 | ŠROUB | SCREW |
| 48 | S080 138009 | ŠROUB | SCREW |
| 49 | S080 826402 | PŘÍLOŽKA | SPLICE |
| 50 | S080 132112 | ŠROUB | SCREW |
| 51 | S080 283176 | PRUŽINA | SPRING |
| 52 | | VIZ POS. 1 | SEE 1 |
| 53 | | VIZ POS. 1 | SEE 1 |
| 54 | | VIZ POS. 1 | SEE 1 |
| 55 | S080 352002 | TÁHLO | ROD |
| 56 | | VIZ POS. 1 | SEE 1 |
| 58 | | VIZ POS. 1 | SEE 1 |
| 59 | S080 635299 | PÁKA | LEVER |
| 62 | | VIZ POS. 1 | SEE 1 |
| 63 | S311 732060 | POJ. KROUŽEK | RETAINING RING |
| 64 | S311 733280 | POJ. KROUŽEK | RETAINING RING |
| 66 | | VIZ POS. 1 | SEE 1 |
| 67 | S980 060222 | VÝSTŘEDNÍK S OJNICÍ | ECCENTRIC WITH ROD |
| 68 | | VIZ POS. 1 | SEE 1 |
| 80 | S080 349219 | HŘÍDEL | SHAFT |
| 81 | S980 060230 | PÁKA ÚPLNÁ | LEVER CPL. |

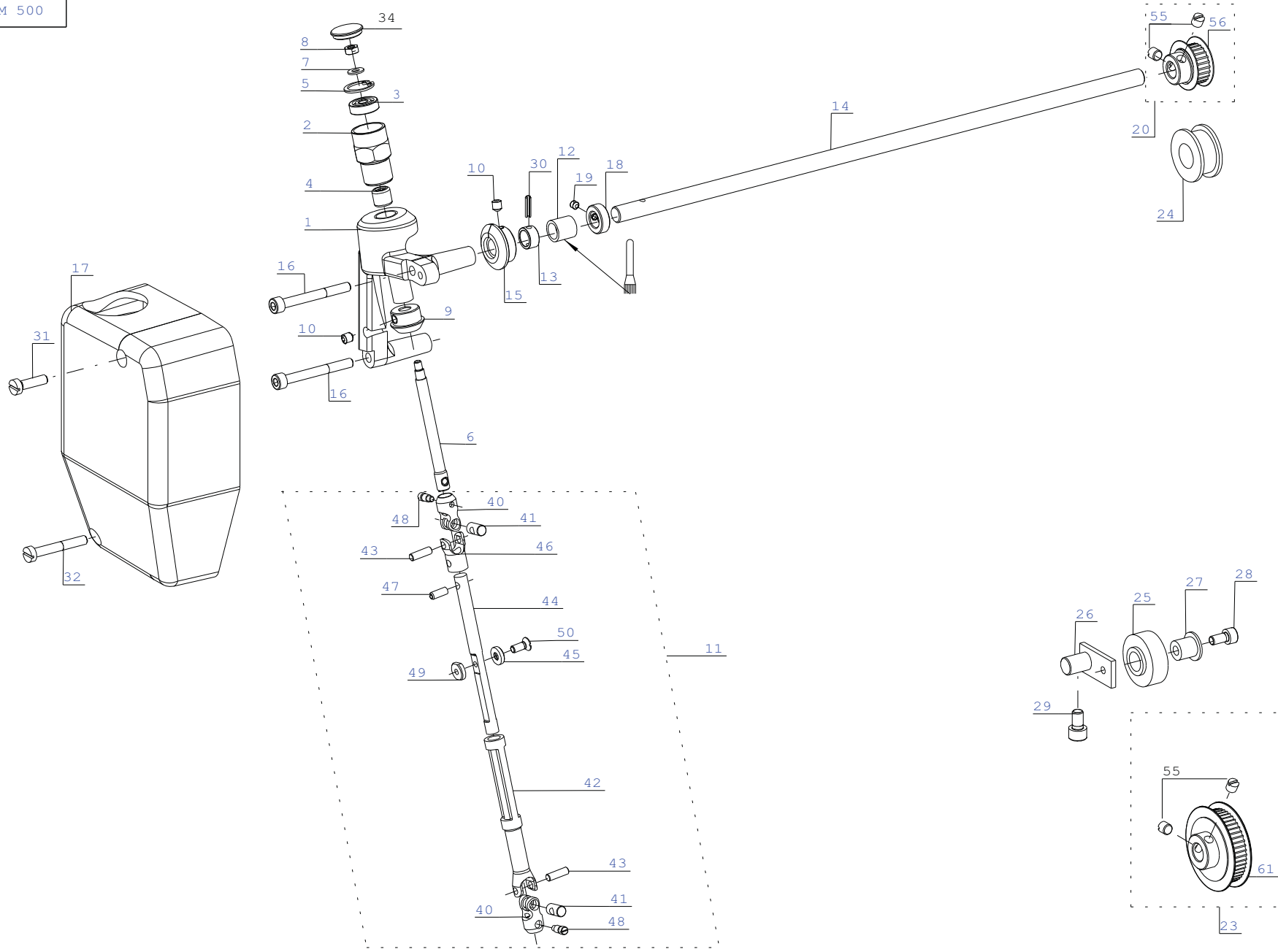
| Pos. Det. | Dílec č. Part No. | Název | Denomination |
|--------------|----------------------|----------------------------|-------------------|
| 82 | S080 143049 | ŠROUB | SCREW |
| 83 | S080 190359 | PODLOŽKA | WASHER |
| 85 | S080 314270 | ČEP | PIN |
| 124 | S080 111375 | ŠROUB | SCREW |
| 125 | S080 436444 | STAVĚCÍ KROUŽEK | REGULATING RING |
| 141 | S080 120543 | ŠROUB | SCREW |
| 142 | | VIZ POS. 7 | SEE 7 |
| 145 | S080 260606 | PRUŽINA | SPRING |
| 146 | S080 436446 | STAVĚCÍ KROUŽEK | REGULATING RING |
| 147 | S080 646472 | OBJÍMKA DRŽÁKU | SLEEVE OF HOLDER |
| 150 | S080 120364 | ŠROUB M5 x 4 | SCREW M5 x 4 |
| 151 | S080 331192 | ČEP | PIN |
| 152 | | VIZ POS. 2 | SEE 2 |
| 154 | | VIZ POS. 2 | SEE 2 |
| 155 | S080 190706 | PODLOŽKA | WASHER |
| 163 | S080 120705 | ŠROUB | SCREW |
| 164 | | VIZ POS. 3 | SEE 3 |
| 168 | S080 340203 | HŘÍDEL | SHAFT |
| 169 | S080 621040 | ZPÁTKOVACÍ PÁKA | BACKTACKING LEVER |
| 171 | S311 733120 | POJ. KROUŽEK | RETAINING RING |
| 172 | S315 263276 | PRUŽINA | SPRING |
| 175 | 9205 102488 | ŠROUB M6 x 10 | SCREW M6 x 10 |
| 176 | S080 233061 | KNOFLÍK | BUTTON |
| 177 | S080 441687 | KOTOUČ | DISK |
| 179 | S273 001002 | O-KROUŽEK 9 x 2 | O-RING 9 x 2 |
| 180 | S311 515021 | KOLÍK 2 x 10 | PIN 2 x 10 |
| 182 | S080 332172 | ŠROUB | SCREW |
| 183 | S735 975184 | SAMOLEPÍCÍ ŠTÍTEK-STUPNICE | LABEL-SCALE |



M 086

| Pos. Det. | Dílec č. Part No. | Název | Denomination |
|--------------|----------------------|-----------------|-------------------|
| 2 | S080 265040 | PRUŽINA | SPRING |
| 3 | S080 442660 | VEDENÍ PODAVAČE | GUIDE OF FEED DOG |
| 4 | S080 624048 | ZÁVĚS | HANGER |
| 5 | S309 543411 | ŠROUB M4 x 12 | SCREW M4 x 12 |
| 6 | | VIZ POS. 1 | SEE 1 |

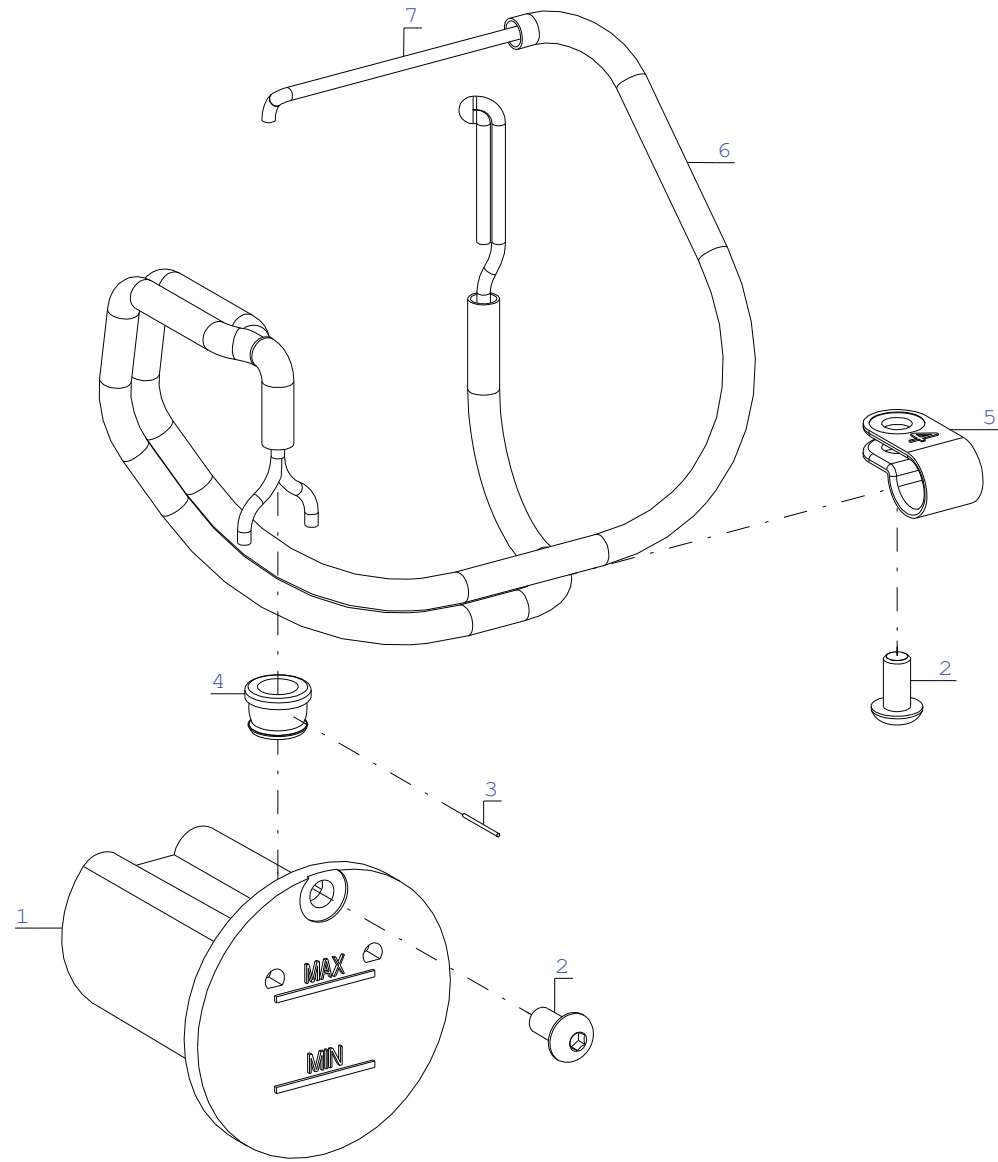
| Pos. Det. | Dílec č. Part No. | Název | Denomination |
|--------------|----------------------|-------|--------------|
|--------------|----------------------|-------|--------------|



M 500

| Pos. Det. | Dílec č. Part No. | Název | Denomination |
|--------------|----------------------|------------------------|--------------------------|
| 1 | S080 744533 | DRŽÁK VARIÁTORU | HOLDER |
| 2 | S080 156058 | ŠROUB | SCREW |
| 3 | 9120 030050 | LOŽISKO | BEARING |
| 4 | S324 609110 | LOŽISKO | BEARING |
| 5 | S311 733161 | POJ. KROUŽEK | RETAINING RING |
| 6 | S080 342343 | HŘÍDEL | BAR |
| 7 | 9330 200097 | PODLOŽKA | WASHER |
| 8 | S080 161144 | MATICE | NUT |
| 9 | S080 562120 | PASTOREK | PINION |
| 10 | 9205 102168 | ŠROUB | SCREW |
| 11 | S981 024309 | KLOUBOVÝ HŘÍDEL | JOINT SHAFT |
| 12 | S080 410677 | POUZDRO | CASE |
| 13 | S080 436459 | OBJÍMKA | SLEEVE |
| 14 | S080 344092 | HŘÍDEL | BAR |
| 15 | S080 562121 | KOLO | WHEEL |
| 16 | 9202 002558 | ŠROUB | SCREW |
| 17 | S321 920024 | ČELNÍ KRYT | FRONTAL COVER |
| 18 | S080 436458 | OBJÍMKA | SLEEVE |
| 19 | S080 111281 | ŠROUB | SCREW |
| 20 | S981 045551 | OZUBENÁ ŘEMENICE | TOOTHED PULLEY |
| 23 | S981 045552 | OZUBENÁ ŘEMENICE ÚPLNÁ | TOOTHED PULLEY CPL. |
| 24 | S080 951385 | KLADKA | ROLLER |
| 25 | S080 951386 | NAP. Kladka | TENSION ROLLER |
| 26 | S980 060181 | DRŽÁK NAPÍNAČÍ Kladky | HOLDER OF TENSION ROLLER |
| 27 | S080 422222 | POUZDRO | CASE |
| 28 | S080 120264 | ŠROUB | SCREW |
| 29 | S080 120346 | ŠROUB | SCREW |
| 30 | S311 515032 | KOLIK | PIN |
| 31 | S080 120270 | ŠROUB | SCREW |
| 32 | S080 120100 | ŠROUB | SCREW |
| 34 | S321 945405 | ZÁTKA | PLUG |
| 40 | S080 326251 | ČEP | PIN |
| 41 | S080 336086 | ČEP | PIN |
| 42 | S080 346080 | HŘÍDEL | BAR |
| 43 | S080 314264 | ČEP | PIN |
| 44 | S080 349212 | HŘÍDEL | BAR |
| 45 | S080 196044 | PODLOŽKA | WASHER |
| 46 | S080 326252 | ČEP | PIN |
| 47 | S311 515023 | KOLIK | PIN |
| 48 | S080 135082 | ŠROUB | SCREW |
| 49 | S080 163145 | MATICE | NUT |
| 50 | S080 126066 | ŠROUB | SCREW |
| 55 | 0244 000700 | ŠROUB | SCREW |
| 56 | | VIZ POS. 20 | SEE 20 |
| 61 | | VIZ POS. 23 | SEE 23 |

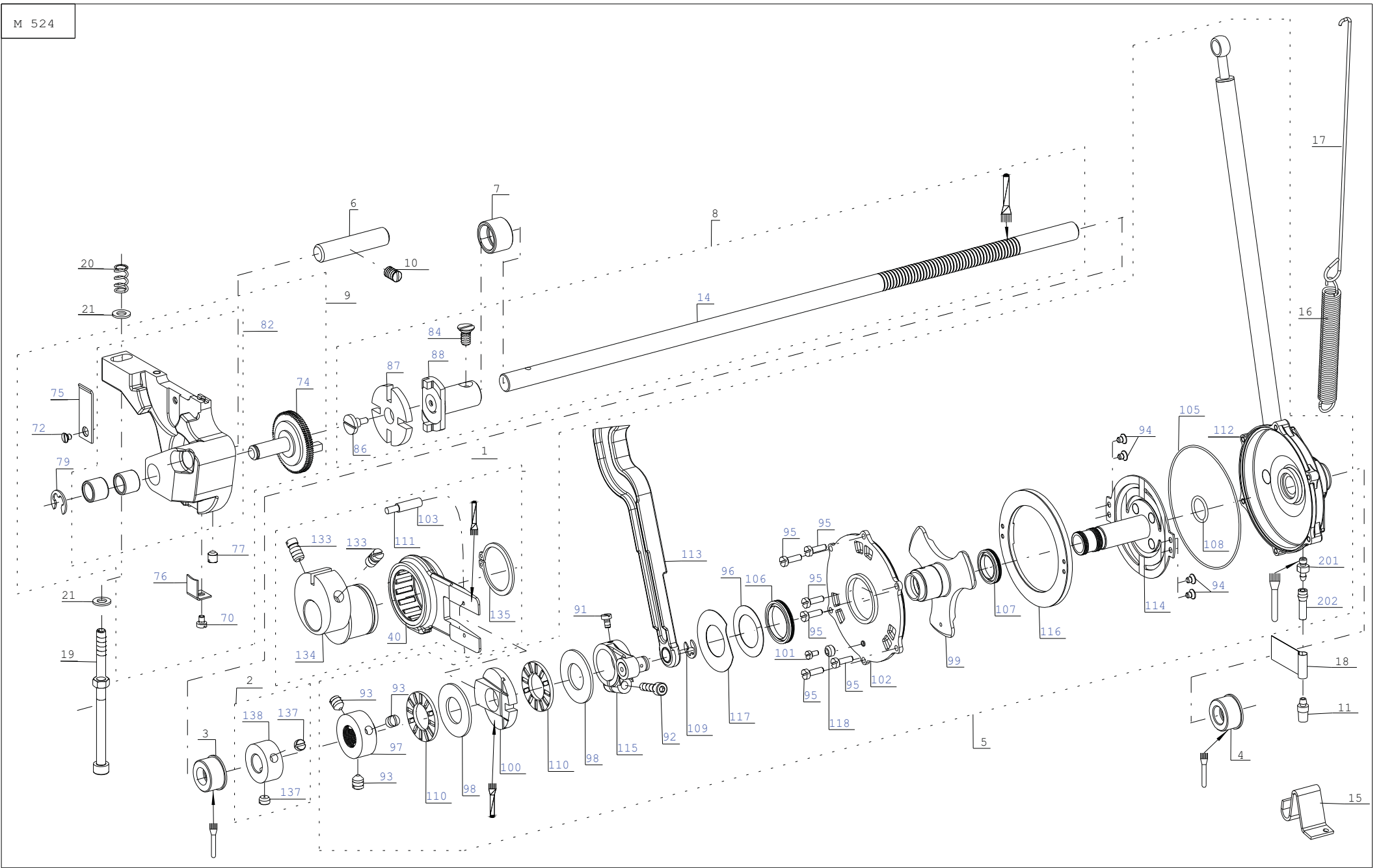
| Pos. Det. | Dílec č. Part No. | Název | Denomination |
|--------------|----------------------|-------|--------------|
|--------------|----------------------|-------|--------------|



M 523

| Pos. Det. | Dílec č. Part No. | Název | Denomination |
|--------------|----------------------|-----------------|--------------|
| 1 | 0265 002402 | OLEJOVÁ NÁDRŽKA | OIL TANK |
| 2 | 9217 300528 | ŠROUB | SCREW |
| 3 | S158 076500 | DRÁT | BLOWER |
| 4 | 0211 000806 | PRŮCHODKA | BUSHING |
| 5 | 9840 120027 | PŘÍCHYTKA | CLIP |
| 6 | VIZ S980 000523 | | S980 000523 |
| 7 | VIZ S980 000523 | | S980 000523 |

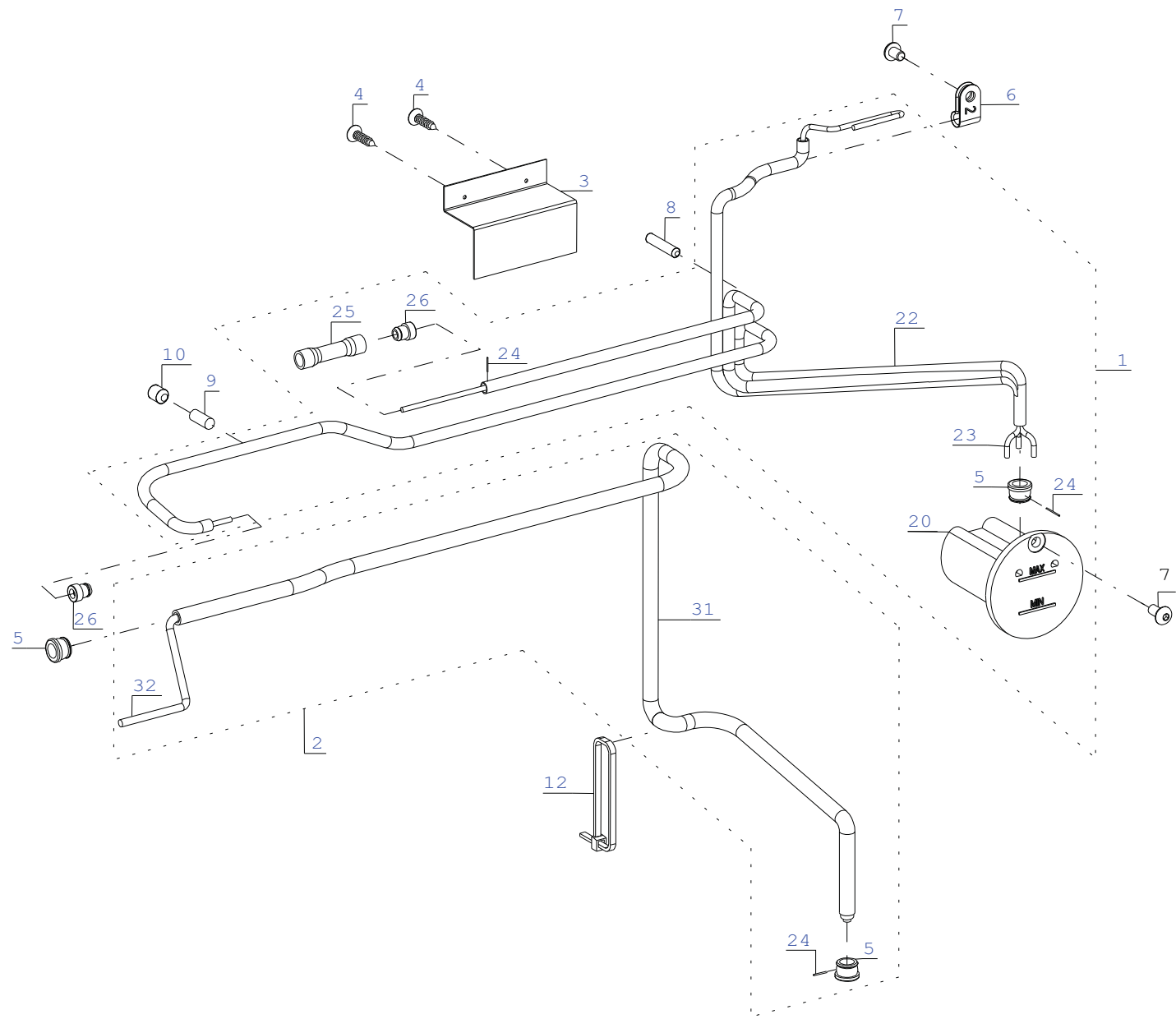
| Pos. Det. | Dílec č. Part No. | Název | Denomination |
|--------------|----------------------|-------|--------------|
|--------------|----------------------|-------|--------------|



M 524

| Pos. Det. | Dílec č. Part No. | Název | Denomination |
|--------------|----------------------|-------------------------|------------------------|
| 1 | S981 052046 | VÝSTŘEDNÍK ÚPLNÝ | ECCENTRIC CPL. |
| 2 | S981 052047 | STAVĚCÍ KROUŽEK ÚPLNÝ | REGULATING RING CPL. |
| 3 | S080 425320 | LOŽISKO | BEARING |
| 4 | S080 425318 | LOŽISKO | BEARING |
| 5 | S981 024304 | SPOJKA ÚPLNÁ | CLUTCH CPL. |
| 6 | S080 314286 | ČEP | PIN |
| 7 | S080 410687 | LOŽISKO | BEARING |
| 8 | S981 022856 | SPODNÍ KRUHOVÉ PODÁVÁNÍ | LOWER WHEEL FEED |
| 9 | S981 022857 | NOSIČ PODÁVAČE ÚPLNÝ | FEED CARRIER CPL. |
| 10 | S080 120006 | ŠROUB M6 x 10 | SCREW M6 x 10 |
| 11 | S080 424165 | KONCOVKA | TERMINAL |
| 14 | S080 345088 | PODÁVACÍ HRÍDEL | FEEDING SHAFT |
| 15 | S080 839333 | ZÁVĚS | HANGER |
| 16 | S315 263275 | PRUŽINA | SPRING |
| 17 | S080 271533 | HÁČEK PRUŽINY | HOOK OF SPRING |
| 19 | S980 039112 | ŠROUB ÚPLNÝ | SCREW CPL. |
| 20 | S080 260611 | PRUŽINA | SPRING |
| 21 | S080 190379 | PODLOŽKA | WASHER |
| 40 | S980 060185 | ŮJNICE ÚPLNÁ | ROD CPL. |
| 70 | S080 120215 | ŠROUB | SCREW |
| 72 | S080 126180 | ŠROUB | SCREW |
| 74 | S080 555047 | SPOJKA | CLUTCH |
| 75 | S080 818712 | PŘÍLOŽKA | SPLICE |
| 76 | S080 283179 | ČISTIČÍ PĚRKO | CLEANING SPRING |
| 77 | S309 281506 | ŠROUB M5 x 6 | SCREW M5 x 6 |
| 79 | S311 732060 | POJ. KROUŽEK | RETAINING RING |
| 82 | S980 022858 | NOSIČ PODÁVÁNÍ ÚPLNÝ | FEED DOG CARRIER |
| 84 | S080 126185 | ŠROUB | SCREW |
| 86 | S080 120694 | ŠROUB | SCREW |
| 87 | S080 442661 | KŘÍŽ SPOJKY | CROSS OF CLUTCH |
| 88 | S980 043502 | SPOJKA ÚPLNÁ | CLUTCH CPL. |
| 91 | S080 120296 | ŠROUB M3 x 5 | SCREW M3 x 5 |
| 92 | S309 100414 | ŠROUB M4 x 16 | SCREW M4 x 16 |
| 93 | S080 112016 | ŠROUB | SCREW |
| 94 | 9203 313021 | ŠROUB | SCREW |
| 95 | S080 120516 | ŠROUB | SCREW |
| 96 | S080 281136 | PRUŽINA | SPRING |
| 97 | S080 425324 | KROUŽEK | RING |
| 98 | S080 441671 | KROUŽEK | RING |
| 99 | S080 442655 | SPOJKA | CLUTCH |
| 100 | S080 451114 | KLÍN | WEDGE |
| 101 | S080 120403 | ŠROUB M2,5 x 5 | SCREW M2,5 x 5 |
| 103 | | VIZ POS. 132 | SEE 132 |
| 105 | S273 014225 | O-KROUŽEK 58 x 1 | O-RING 58 x 1 |
| 106 | S273 005000 | GUFERO INA 18 x 24 x 3 | GUFERO INA 18 x 24 x 3 |
| 107 | S273 004000 | GUFERO INA 13 x 19 x 3 | GUFERO INA 13 x 19 x 3 |
| 109 | S311 732050 | POJ. KROUŽEK | RETAINING RING |
| 110 | S324 800000 | LOŽISKO AXK 1528 INA | BEARING AXK 1528 INA |
| 111 | | VIZ POS. 132 | SEE 132 |
| 112 | S980 022855 | SPOJKA S TÁHLEM | CLUTCH WITH ROD |
| 113 | S980 022862 | TÁHLO ÚPLNÉ | ROD CPL. |
| 114 | S980 047266 | POUZDRO ÚPLNÉ | CASE CPL. |
| 115 | S980 060186 | PÁKA ÚPLNÁ | LEVER CPL. |
| 116 | S980 088003 | KOTOUČ ÚPLNÝ | DISK CPL. |
| 117 | S080 814478 | KROUŽEK | RING |
| 118 | S080 412223 | POUZDRO | CASE |
| 124 | S080 111375 | ŠROUB | SCREW |
| 125 | | VIZ POS. 123 | SEE 123 |

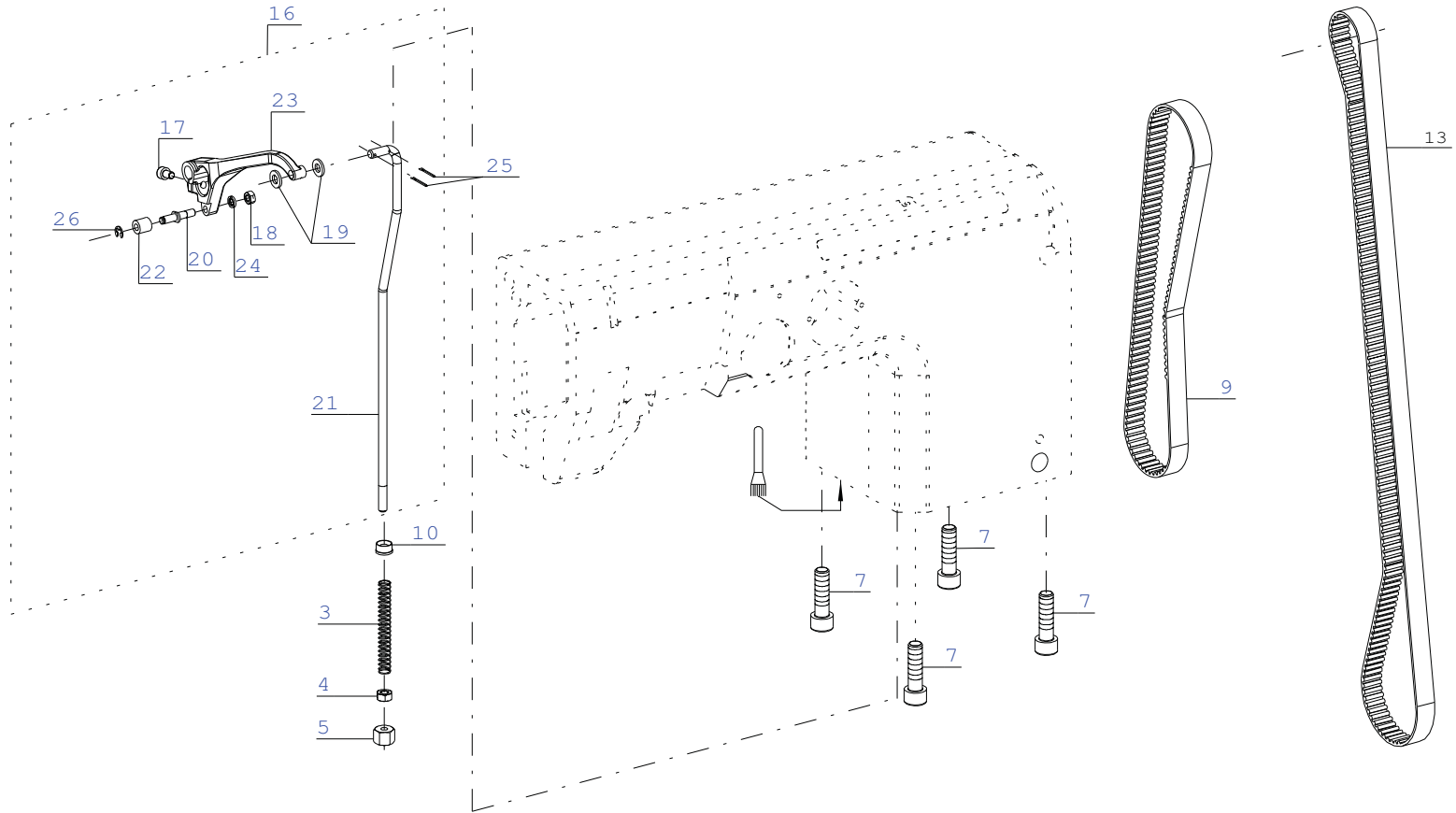
| Pos. Det. | Dílec č. Part No. | Název | Denomination |
|--------------|----------------------|------------------------|----------------------------|
| 133 | S080 120689 | ŠROUB | SCREW |
| 134 | S080 671178 | VÝSTŘEDNÍK DÉLKY STEHU | ECCENTRIC OF LENGHT STITCH |
| 135 | S311 733280 | POJ. KROUŽEK | RETAINING RING |
| 137 | S080 111375 | ŠROUB | SCREW |
| 138 | | VIZ POS. 136 | SEE 136 |
| 141 | S080 120543 | ŠROUB | SCREW |
| 142 | | VIZ POS. 140 | SEE 140 |
| 146 | S080 436446 | STAVĚCÍ KROUŽEK | REGULATING RING |
| 147 | S080 646472 | OBJÍMKA DRŽÁKU | SLEEVE OF HOLDER |
| 175 | 9205 102488 | ŠROUB M6 x 10 | SCREW M6 x 10 |
| 179 | S273 001002 | O-KROUŽEK 9 x 2 | O-RING 9 x 2 |
| 201 | S080 424163 | VENTIL | VENT |
| 202 | S283 002004 | HADIČKA SILIKONOVÁ | HOSE SILIKON |



M 514

| Pos. Det. | Dílec č. Part No. | Název | Denomination |
|--------------|----------------------|---------------------|----------------------|
| 1 | S981 052071 | MAZACÍ SKŘIŇ ÚPLNÁ | LUBRICATION BOX CPL. |
| 2 | S981 052075 | ODSÁVACÍ KNOT ÚPLNÝ | WICK CPL. |
| 3 | S080 826412 | PŘÍCHYTKA | CLIP |
| 4 | S311 400515 | VRUT UN | SCREW UN |
| 5 | 0211 000806 | PRŮCHODKA | BUSHING |
| 6 | 9840 120026 | PŘÍCHYTKA | CLIP |
| 7 | 9217 300528 | ŠROUB | SCREW |
| 8 | S309 287416 | ŠROUB | SCREW |
| 9 | S080 310483 | KOLÍK | PIN |
| 10 | 9205 102478 | ŠROUB | SCREW |
| 12 | S562 411000 | NG PÁSEK | NG BAND |
| 20 | 0265 002402 | OLEJOVÁ NÁDRŽKA | OIL TANK |
| 22 | | VIZ POS. 1 | SEE 1 |
| 23 | | VIZ POS. 1 | SEE 1 |
| 24 | S158 076500 | DRÁT | BLOWER |
| 25 | S283 003001 | HADIČKA PVC | HOSE PVC |
| 26 | 0211 000085 | PRŮCHODKA | BUSHING |
| 31 | | VIZ POS. 2 | SEE 2 |
| 32 | | VIZ POS. 2 | SEE 2 |

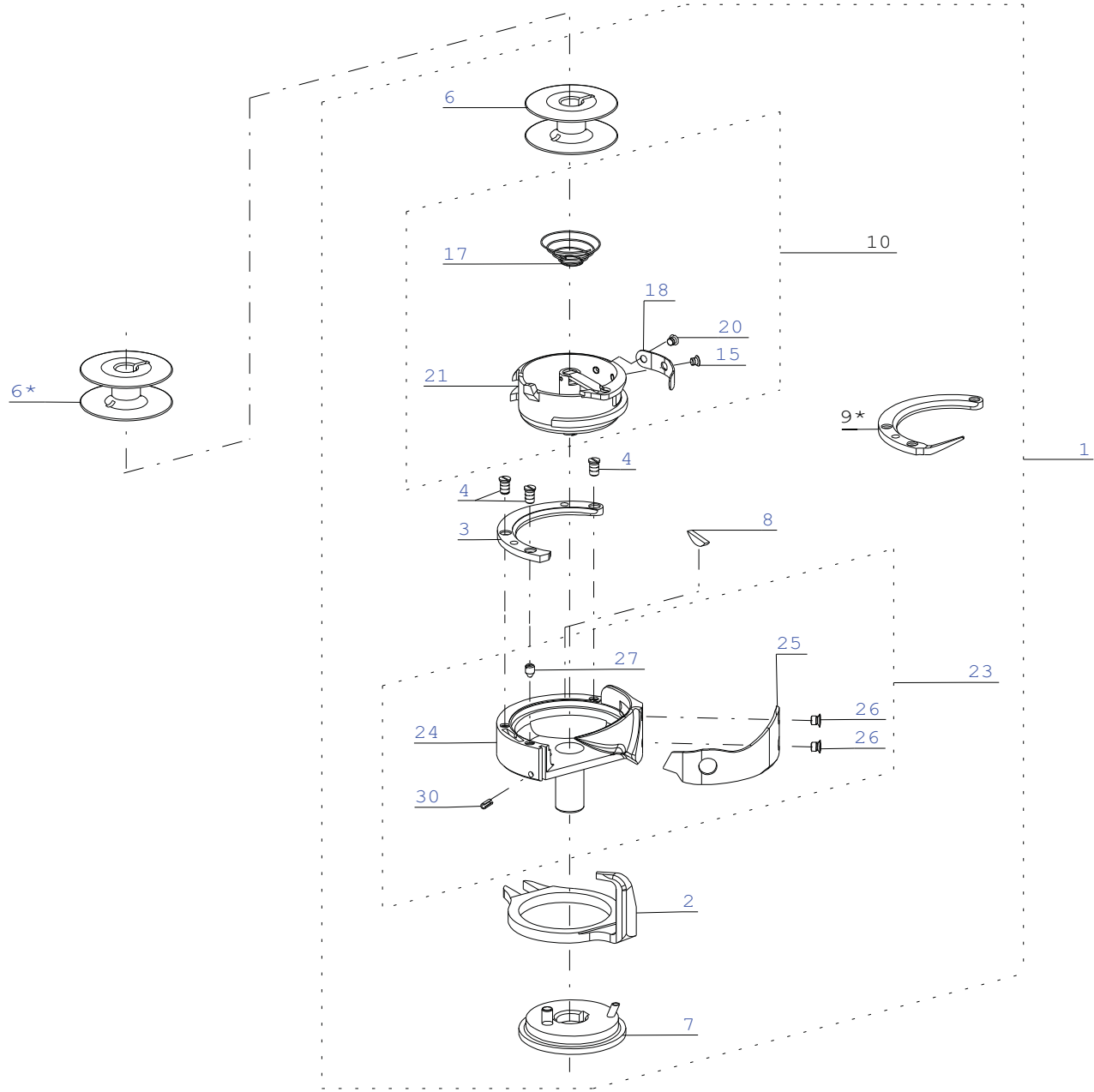
| Pos. Det. | Dílec č. Part No. | Název | Denomination |
|--------------|----------------------|-------|--------------|
|--------------|----------------------|-------|--------------|



M 087

| Pos. Det. | Dílec č. Part No. | Název | Denomination |
|--------------|----------------------|-----------------------|----------------------|
| 3 | S080 260608 | PRUŽINA | SPRING |
| 4 | S080 161142 | MATICE | NUT |
| 5 | S080 161333 | OPĚRKA | SUPPORT |
| 7 | 9202 003738 | ŠROUB M10 x 35 | SCREW M10 x 35 |
| 9 | S272 100517 | OZUBENÝ ŘEMEN FLENNOR | TOOTHED BELT FLENNOR |
| 10 | S080 425326 | POUZDRO | CASE |
| 13 | S272 100518 | OZUBENÝ ŘEMEN | TOOTHED BELT |
| 16 | S980 060207 | PÁKA ÚPLNÁ | LEVER CPL. |
| 17 | S080 120698 | ŠROUB | SCREW |
| 18 | S080 161146 | MATICE | NUT |
| 19 | S080 190346 | PODLOŽKA | WASHER |
| 20 | S080 333175 | ČEP | PIN |
| 21 | S080 384113 | TÁHLO | ROD |
| 22 | S080 418182 | KLADKA | ROLLER |
| 23 | S080 633220 | PÁKA | LEVER |
| 24 | S311 214051 | PODLOŽKA | WASHER |
| 25 | S311 318012 | ZÁVLAČKA | SPLIT PIN |
| 26 | S311 732040 | POJISTNÝ KROUŽEK | RETAINING RING |

| Pos. Det. | Dílec č. Part No. | Název | Denomination |
|--------------|----------------------|-------|--------------|
|--------------|----------------------|-------|--------------|

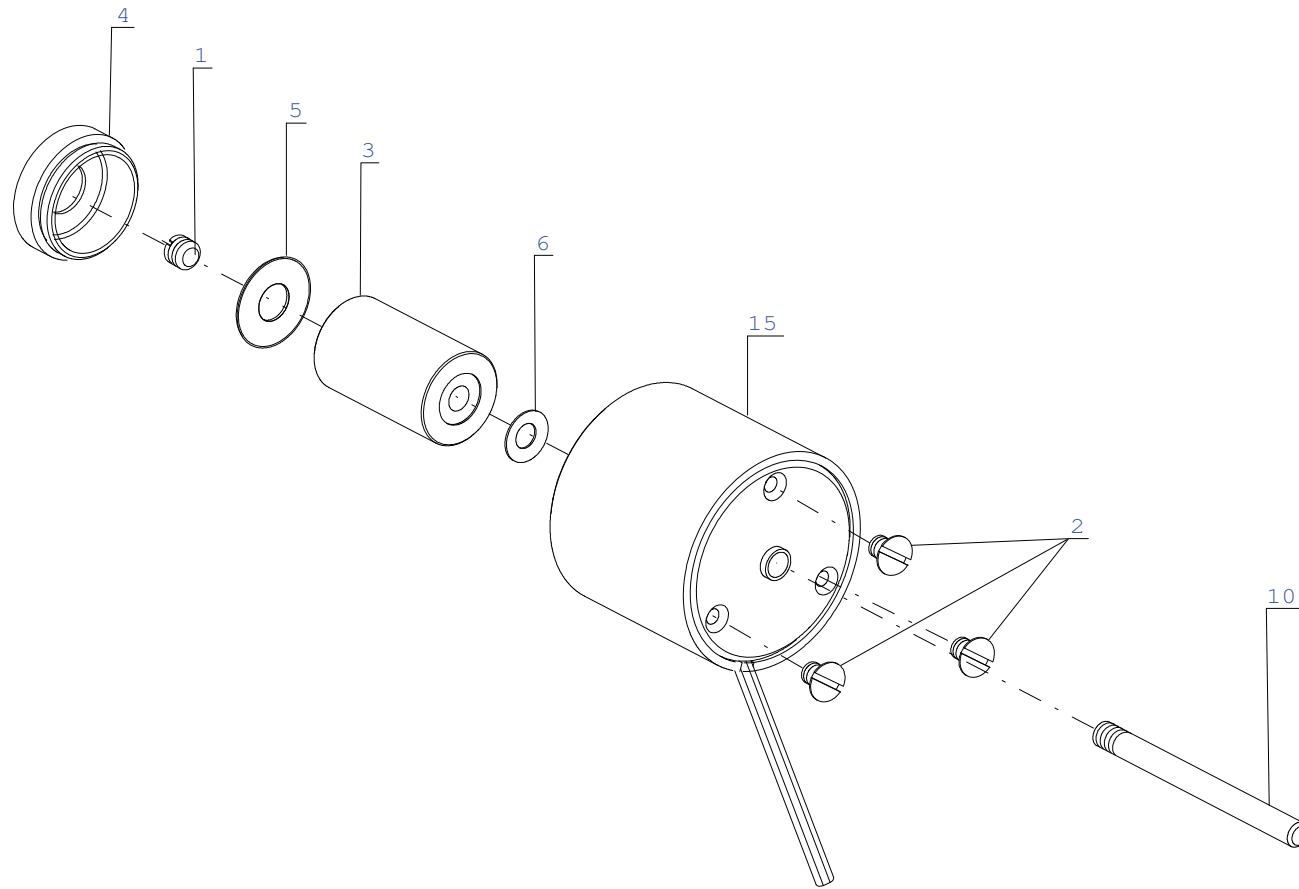


* SPARE PARTS SUPLIED WITH THE MACHINE

M 820

| Pos. Det. | Dílec č. Part No. | Název | Denomination |
|--------------|----------------------|----------------------|-------------------|
| 1 | S981 008820 | CHAPAČ | HOOK |
| 2 | S080 679011 | UVOLŇOVACÍ HÁK | RELEASING HOOK |
| 3 | S080 681037 | PŘÍLOŽKA | SPLICE |
| 4 | S080 683074 | ŠROUB | SCREW |
| 6 | 0245 001660 A | CÍVKA | BOBBIN |
| 7 | | VIZ POS. 1 | SEE 1 |
| 8 | | VIZ POS. 1 | SEE 1 |
| 9 | S080 681044 | PŘÍLOŽKA | SPLICE |
| 10 | S981 081170 | POUZDRO CÍVKY ÚPLNÉ | BOBBIN CASE CPL. |
| 15 | S080 683025 | ŠROUB | SCREW |
| 17 | S315 262085 | PRUŽINA | SPRING |
| 18 | 0467 150120 | PERKO | SPRING |
| 20 | 0992 023560 | ŠROUB | SCREW |
| 21 | | VIZ POS. 10 | SEE 10 |
| 23 | S981 081171 | TĚLESO CHAPAČE ÚPLNÉ | BODY OF HOOK CPL. |
| 24 | | VIZ POS. 23 | SEE 23 |
| 25 | S080 680046 | CHRÁNÍCÍ PLECH | PROTECTING SHEET |
| 26 | S080 683083 | ŠROUB | SCREW |
| 27 | S080 683097 | ŠROUB | SCREW |
| 30 | | VIZ POS. 23 | SEE 23 |

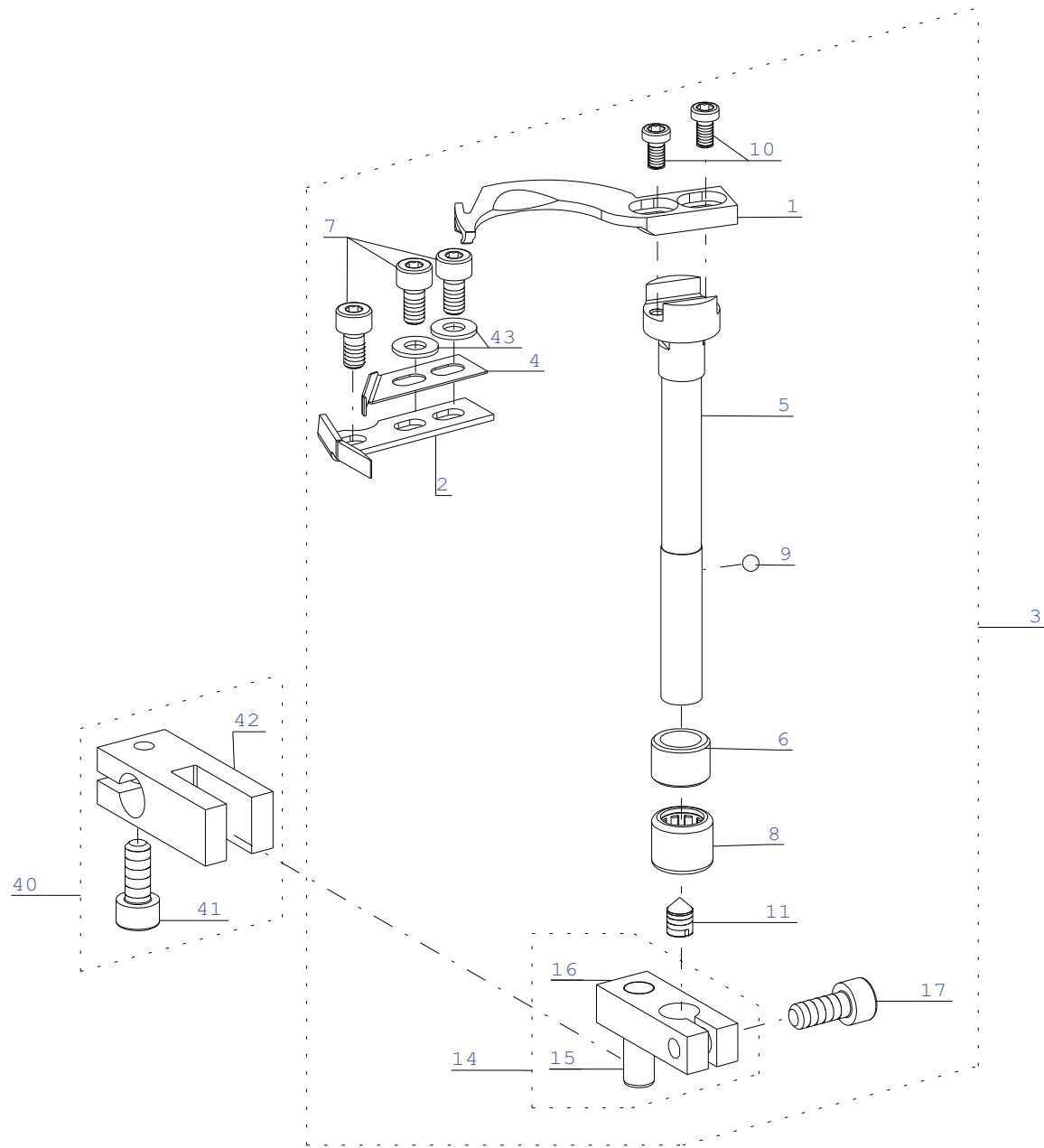
| Pos. Det. | Dílec č. Part No. | Název | Denomination |
|--------------|----------------------|-------|--------------|
|--------------|----------------------|-------|--------------|



M 552

| Pos. Det. | Dílec č. Part No. | Název | Denomination |
|--------------|----------------------|-----------------|----------------|
| 1 | S080 111300 | ŠROUB | SCREW |
| 2 | S080 126182 | ŠROUB | SCREW |
| 3 | S080 441708 | JÁDRO | CORE |
| 4 | S080 441709 | KRYT | COVER |
| 5 | S080 943212 | PODLOŽKA | WASHER |
| 6 | S080 168006 | PRUŽNÁ PODLOŽKA | SPRINGY WASHER |
| 10 | S980 027600 | TYČ ÚPLNÁ | BAR CPL. |
| 15 | S980 094081 | MAGNET | ELECTROMAGNET |

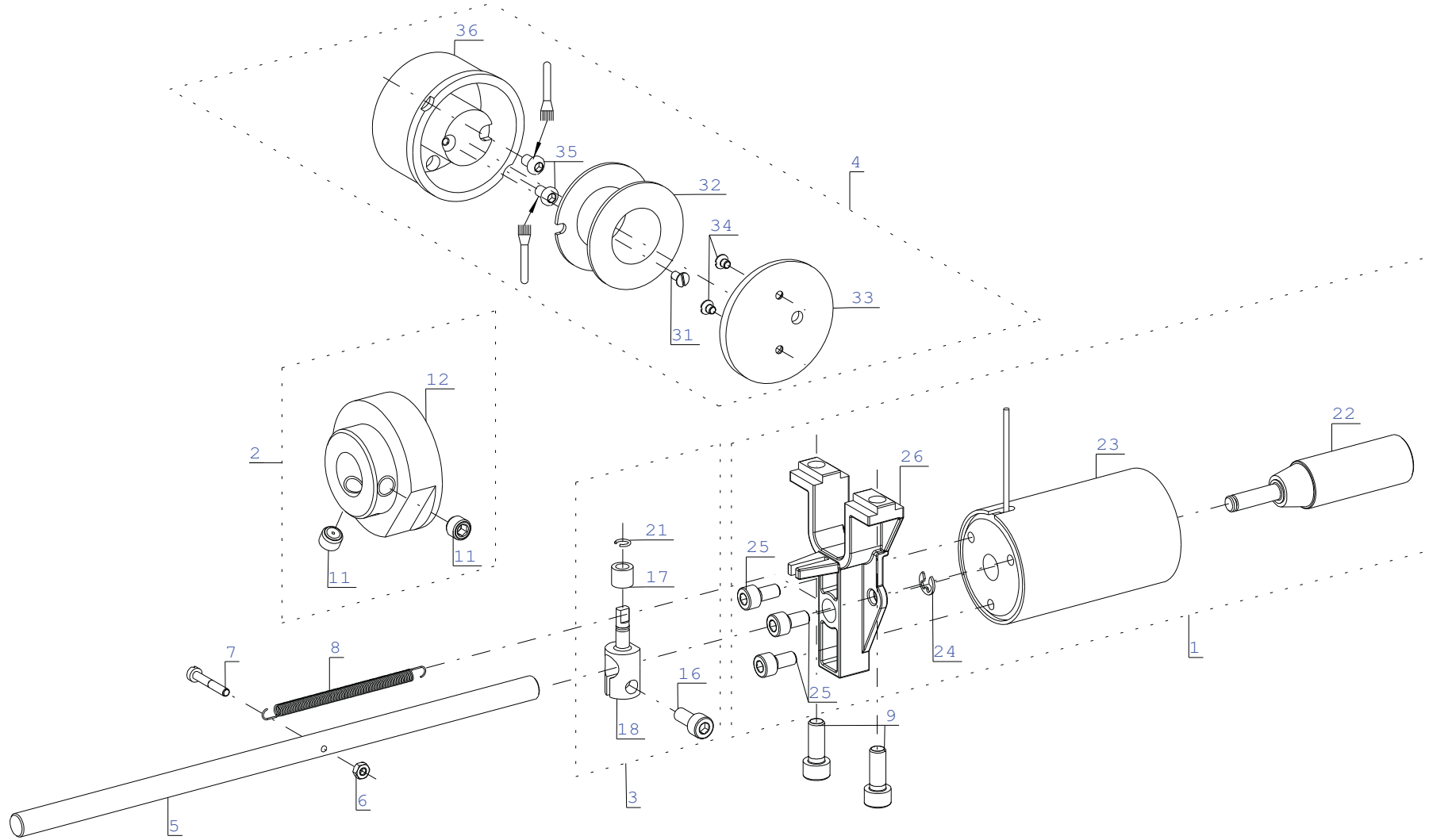
| Pos. Det. | Dílec č. Part No. | Název | Denomination |
|--------------|----------------------|-------|--------------|
|--------------|----------------------|-------|--------------|

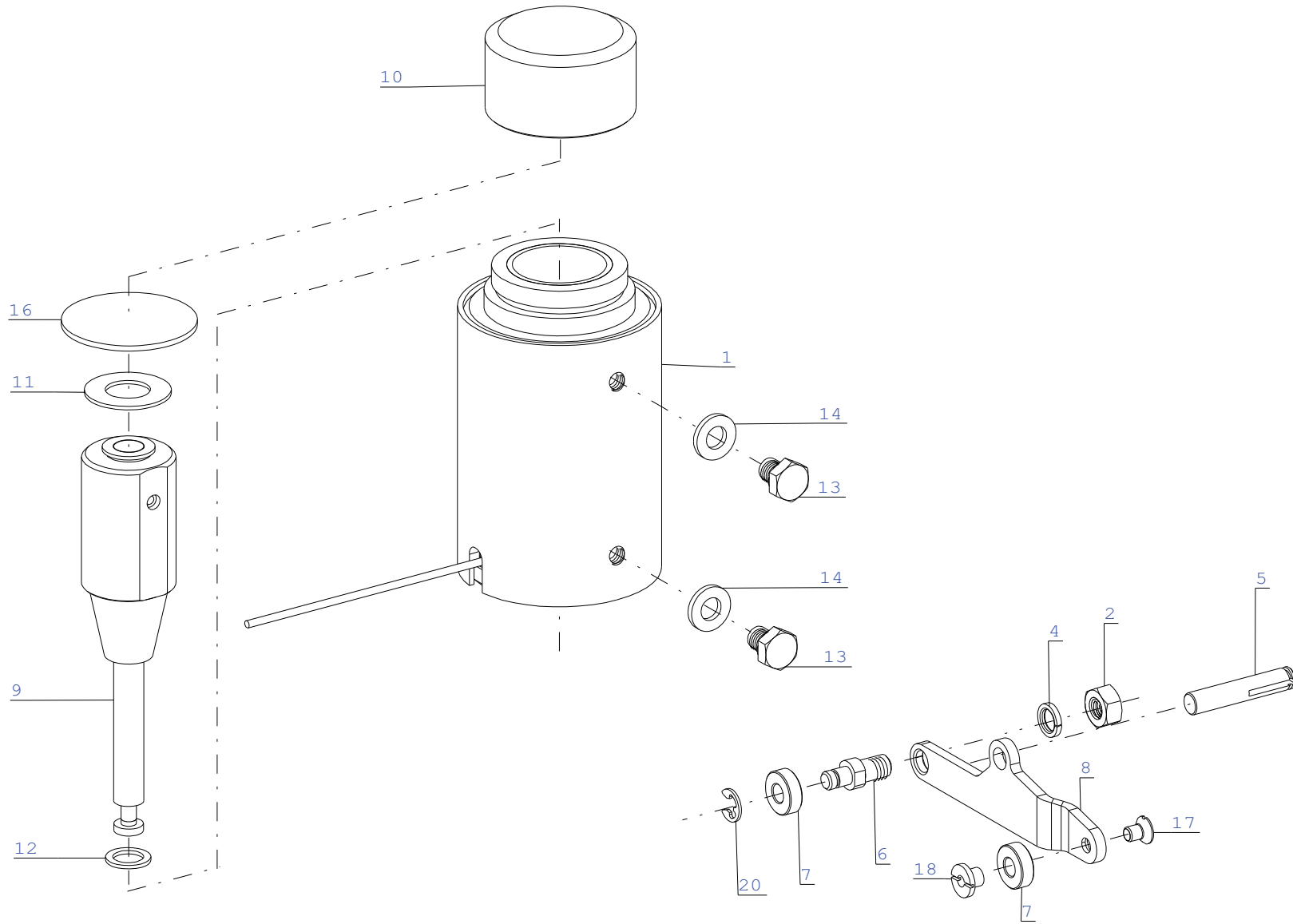


M 084

| Pos. Det. | Dílec č. Part No. | Název | Denomination |
|--------------|----------------------|------------------------------------|---|
| | S980 00084 | ODSTŘIH NITÍ | THREAD TRIMMER |
| 1 | S080 870221 | NUŽ ODSTŘIHU PRO VEL. CHAPAČ | KNIFE OF THREAD TRIMMER FOR BIG HOOK |
| 2 | S080 870222 | NUŽ | KNIFE |
| 3 | S981 026191 | ODSTŘIH NITÍ | THREAD TRIMMER |
| 4 | S080 283177 | PŘÍTLAČNÉ PERKO | PRESSER SPRING |
| 5 | S080 346079 | HŘÍDEL ODSTŘIHU | SHAFT OF THREAD TRIMMER |
| 6 | S080 418186 | STAVECÍ KROUŽEK | REGULATING RING |
| 7 | 9202 002068 | ŠROUB IMBUS 4 x 8 | SCREW IMBUS 4 x 8 |
| 8 | S324 810110 | LOŽISKO | BEARING |
| 9 | S324 052018 | KULIČKA 1/8-40 | BALL 1/8-40 |
| 10 | S309 798306 | ŠROUB M3 x 6 | SCREW M3 x 6 |
| 11 | S080 112088 | ŠROUB M5 x 8 | SCREW M5 x 8 |
| 14 | S980 060188 | DRŽÁK ÚPLNÝ | HOLDER CPL. |
| 15 | S080 314255 | ČEP | PIN |
| 16 | S080 613584 | DRŽÁK | HOLDER |
| 17 | S080 120293 | ŠROUB M5 x 12 | SCREW M5 x 12 |
| 40 | S981 060196 | VIDLICE ÚPLNÁ | PLUG CPL. |
| 41 | S080 120293 | ŠROUB M5 x 12 | SCREW M5 x 12 |
| 42 | S080 613583 | VIDLICE | PLUG |
| 43 | S311 210043 | PODLOŽKA | WASHER |

| Pos. Det. | Dílec č. Part No. | Název | Denomination |
|--------------|----------------------|-------|--------------|
|--------------|----------------------|-------|--------------|

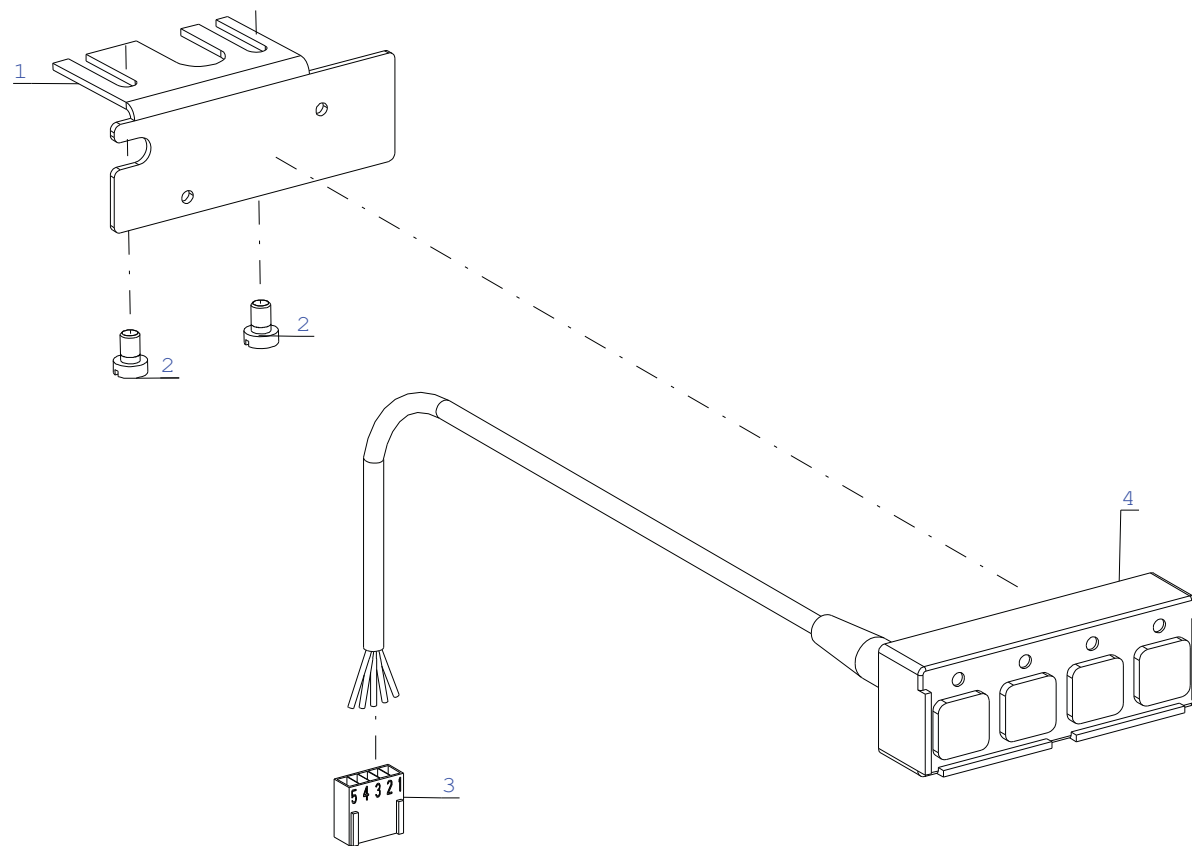




M 249

| Pos. Det. | Dílec č. Part No. | Název | Denomination |
|--------------|----------------------|------------------------------|-----------------|
| | S980 000249 | ELEKTROMAGNETICKÉ ZPÁTKOVÁNÍ | EMG BACKTACKING |
| 1 | | VIZ S980 000249 | SEE S980 000249 |
| 2 | S080 161142 | MATICE M6 | NUT M6 |
| 4 | S080 191108 | PODLOŽKA | WASHER |
| 5 | S080 318234 | ČEP | PIN |
| 6 | | VIZ S980 000249 | SEE S980 000249 |
| 7 | S080 418184 | KLADKA | ROLLER |
| 8 | | VIZ S980 000249 | SEE S980 000249 |
| 9 | | VIZ S980 000249 | SEE S980 000249 |
| 10 | | VIZ S980 000249 | SEE S980 000249 |
| 11 | S080 943212 | PODLOŽKA | WASHER |
| 12 | S080 190675 | PODLOŽKA | WASHER |
| 13 | S080 141111 | ŠROUB M6 x 8 | SCREW M6 x 8 |
| 14 | S080 190346 | PODLOŽKA 6,4 | WASHER 6.4 |
| 16 | | VIZ S980 000249 | SEE S980 000249 |
| 17 | S080 123117 | ŠROUB | SCREW |
| 18 | S080 425327 | POUZDRO | CASE |
| 20 | S311 732040 | POJ. KROUŽEK | RETAINING RING |

| Pos. Det. | Dílec č. Part No. | Název | Denomination |
|--------------|----------------------|-------|--------------|
|--------------|----------------------|-------|--------------|

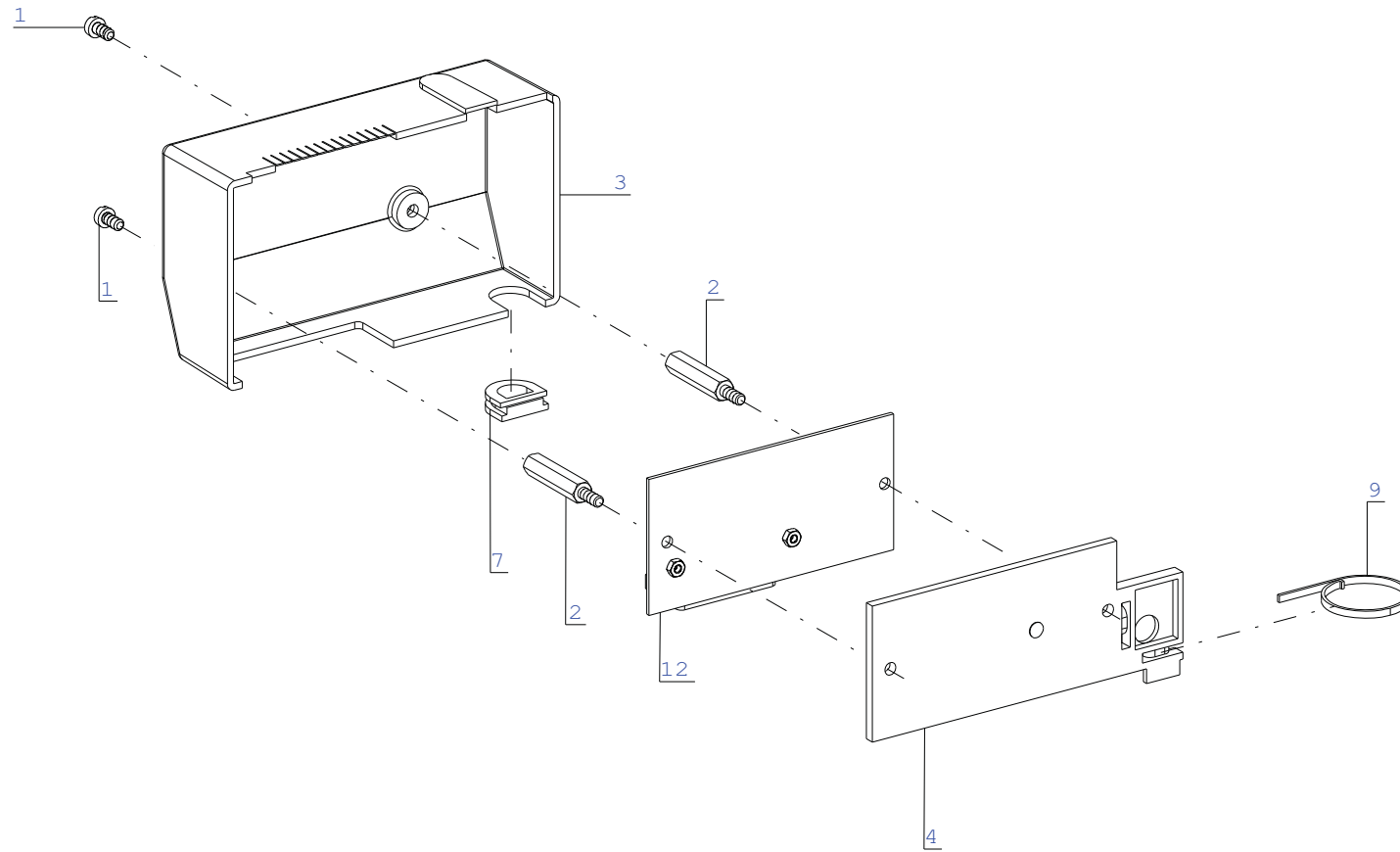


| | | |
|---|-------------|--------|
| 1 | Ž LUT Á | YELLOW |
| 2 | Z E L E N Á | GREEN |
| 3 | H N Ě D Á | BROWN |
| 4 | B Í L Á | WHITE |
| 5 | Š E D Á | GREY |

M 521

| Pos. Det. | Dílec č. Part No. | Název | Denomination |
|--------------|-----------------------|------------------------|-------------------|
| | S980 000521 | TLAČÍTKOVÝ PANEL | PUSH-BUTTON PANEL |
| 1 | S080 839346 | DRŽÁK | HOLDER |
| 2 | S309 738406 | ŠROUB | SCREW |
| 3 | VIZ S980 000521 | | SEE S980 000521 |
| 4 | 9880 003000 | TLAČÍTKO | PRESS BUTTON |

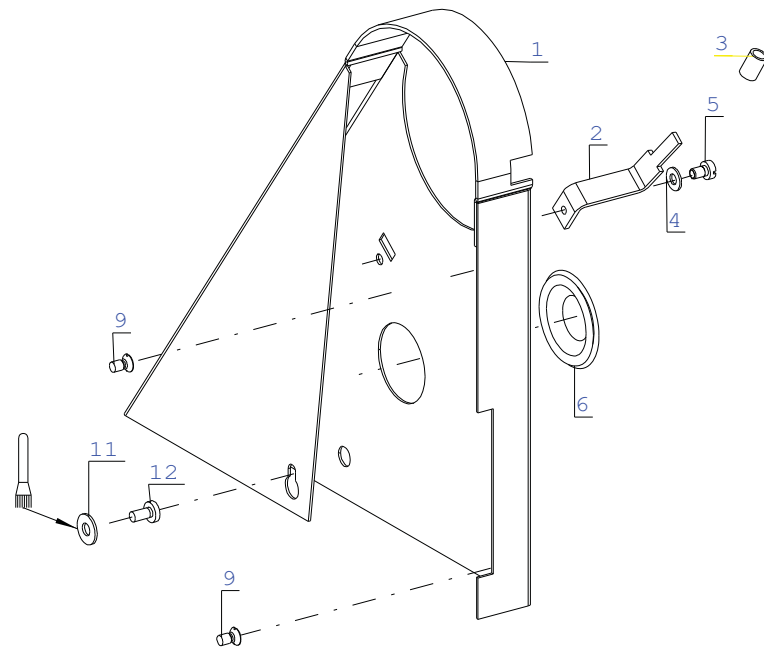
| Pos. Det. | Dílec č. Part No. | Název | Denomination |
|--------------|----------------------|-------|--------------|
|--------------|----------------------|-------|--------------|



M 008

| Pos. Det. | Dílec č. Part No. | Název | Denomination |
|--------------|----------------------|---------------------|-------------------------|
| | S980 000008 | ELEKTRICKÝ ROZVADEČ | ELECTRICAL SWITCH BOARD |
| 1 | S080 120410 | ŠROUB M4 x 8 | SCREW M4 x 8 |
| 2 | S080 146060 | ŠROUB | SCREW |
| 3 | S321 952449 | KRYT | COVER |
| 4 | S321 952451 | PODLOŽKA | WASHER |
| 7 | S273 940165 | PRŮCHODKA | BUSHING |
| 9 | S562 411000 | NG PÁSEK 2,5 x 135 | NG BAND 2.5 x 135 |
| 12 | S980 094029 | DESKA ROZVODU | PLATE OF WIRING |

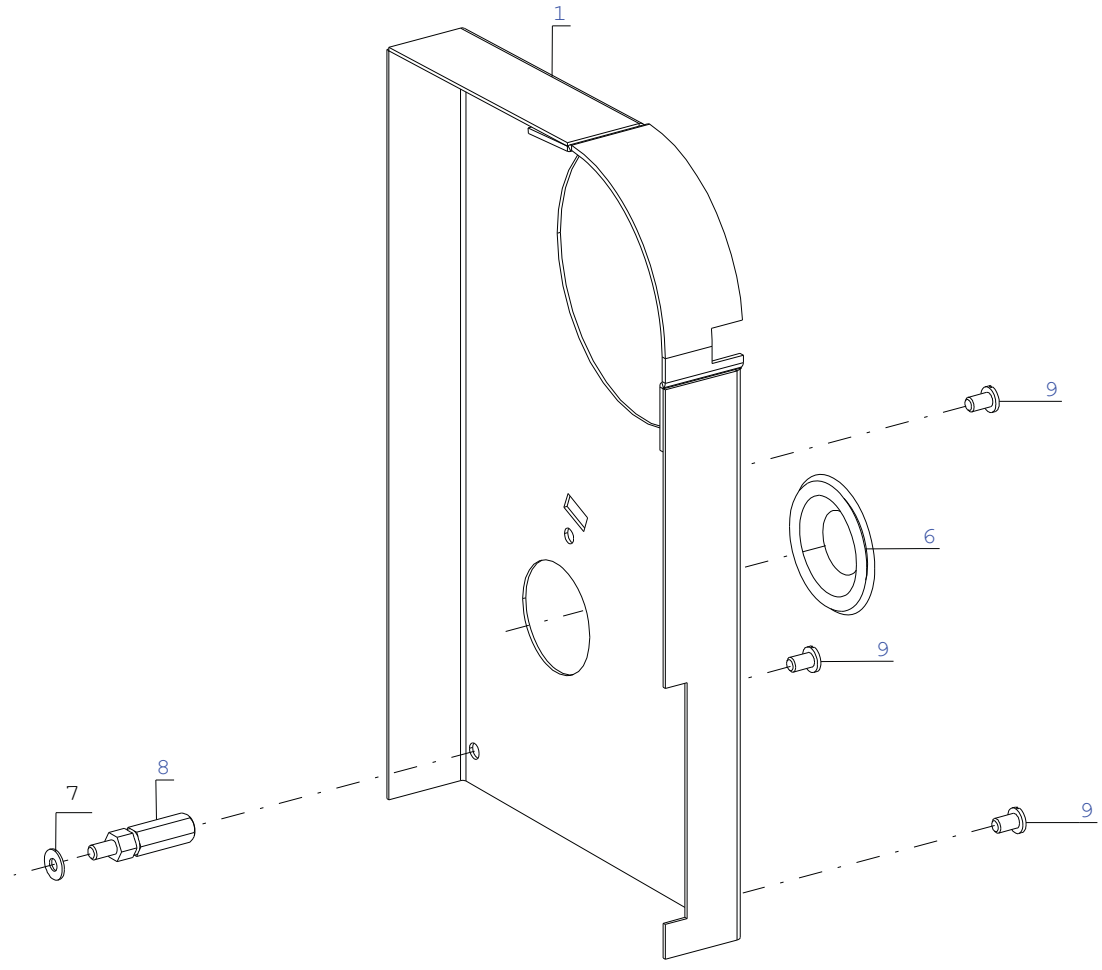
| Pos. Det. | Dílec č. Part No. | Název | Denomination |
|--------------|----------------------|-------|--------------|
|--------------|----------------------|-------|--------------|



M 265

| Pos. Det. | Dílec č. Part No. | Název | Denomination |
|--------------|----------------------|---------------------|---------------|
| 1 | S980 057268 | KRYT ŘEMENE | COVER OF BELT |
| 2 | S080 839323 | ZARÁŽKA | STOPMOTION |
| 3 | S283 002001 | HADIČKA PVC | HOSE PVC |
| 4 | S080 190369 | PODLOŽKA 4,3 | WASHER 4.3 |
| 5 | S080 120409 | ŠROUB M4 x 6 | SCREW M4 x 6 |
| 6 | S321 833821 | ZASL. ZÁTKA 1833821 | PLUG 1833821 |
| 9 | S080 123117 | ŠROUB | SCREW |
| 11 | S080 940179 | PODLOŽKA | WASHER |
| 12 | S309 798408 | ŠROUB M4 x 8 | SCREW M4 x 8 |

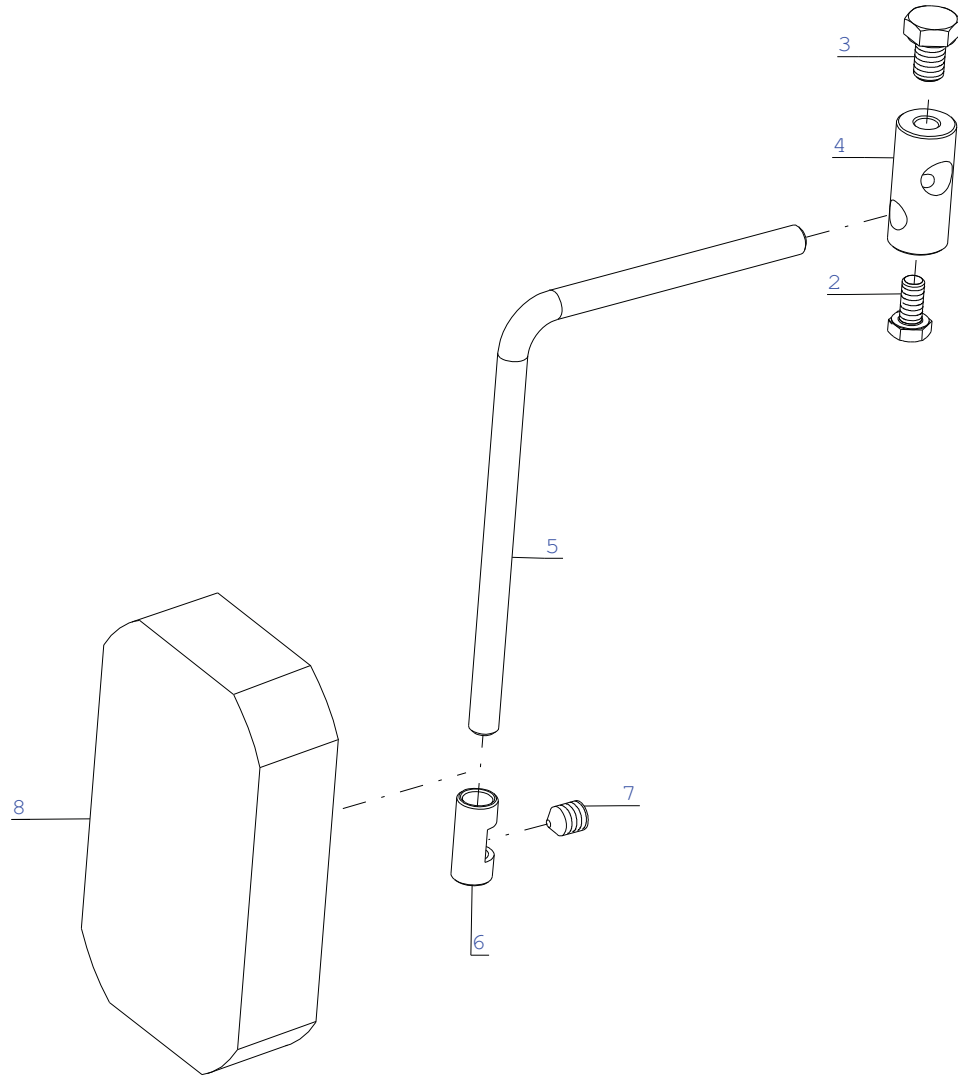
| Pos. Det. | Dílec č. Part No. | Název | Denomination |
|--------------|----------------------|-------|--------------|
|--------------|----------------------|-------|--------------|



M 267

| Pos. Det. | Dílec č. Part No. | Název | Denomination |
|--------------|----------------------|------------------|--------------|
| 1 | S980 057273 | KRYT ÚPLNÝ | COVER CPL. |
| 6 | S321 833821 | ZÁTKA | PLUG |
| 7 | S080 191120 | PODLOŽKA | WASHER |
| 8 | S080 146058 | ŠROUB | SCREW |
| 9 | S080 123117 | ŠROUB | SCREW |

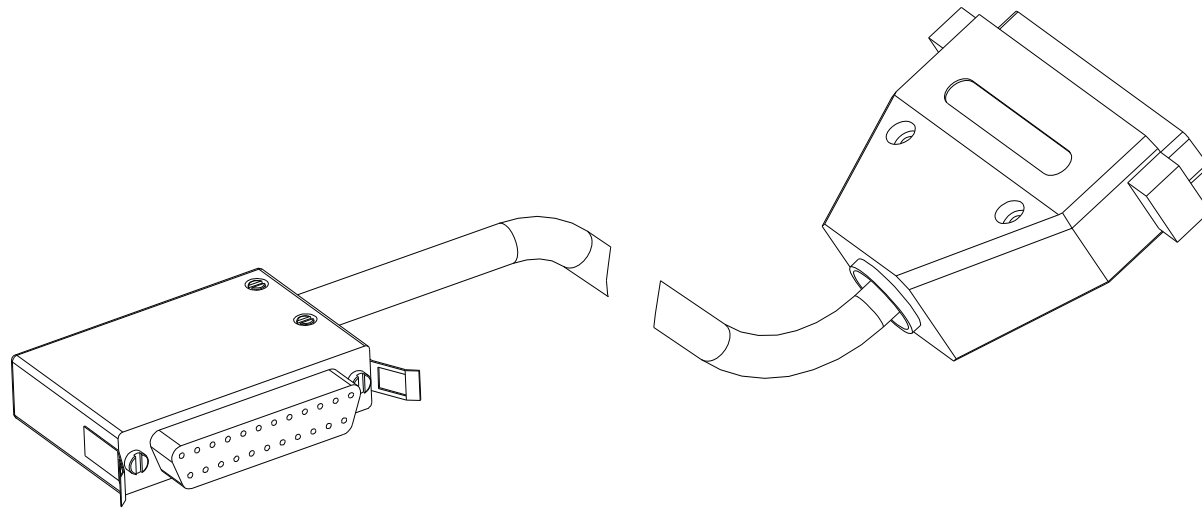
| Pos. Det. | Dílec č. Part No. | Název | Denomination |
|--------------|----------------------|-------|--------------|
|--------------|----------------------|-------|--------------|



M 070

| Pos. Det. | Dílec č. Part No. | Název | Denomination |
|--------------|----------------------|-----------------|-----------------|
| | S980 000070 | KOLENNÍ PÁKA | KNEE LEVER |
| 2..... | S080 141098 | ŠROUB M6 x 12 | SCREW M6 x 12 |
| 3..... | S080 141121 | ŠROUB M8 x 12 | SCREW M8 x 12 |
| 4..... | | VIZ S980 000070 | SEE S980 000070 |
| 5..... | | VIZ S980 000070 | SEE S980 000070 |
| 6..... | S080 416146 | POUZDRO | CASE |
| 7..... | 9205 102788 | ŠROUB | SCREW |
| 8..... | 0396 130013 | OPĚRKA | CUSHION |

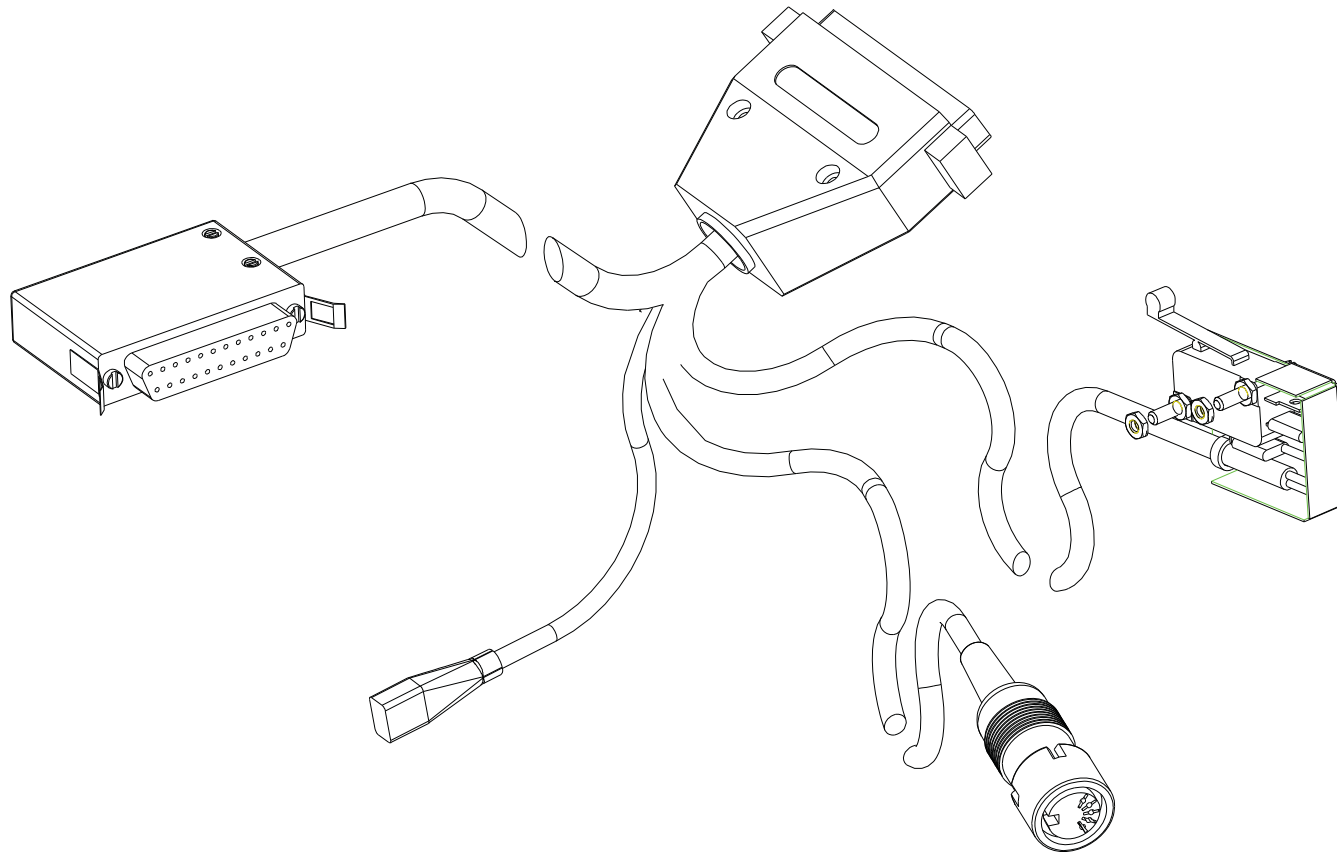
| Pos. Det. | Dílec č. Part No. | Název | Denomination |
|--------------|----------------------|-------|--------------|
|--------------|----------------------|-------|--------------|



M 163

| Pos. Det. | Dílce č. Part No. | Název | Denomination |
|--------------|----------------------|-----------------------------|-----------------------|
| | S980 000163 | PROPOJOVACÍ KABEL EFKA..... | CONNECTING CABLE EFKA |

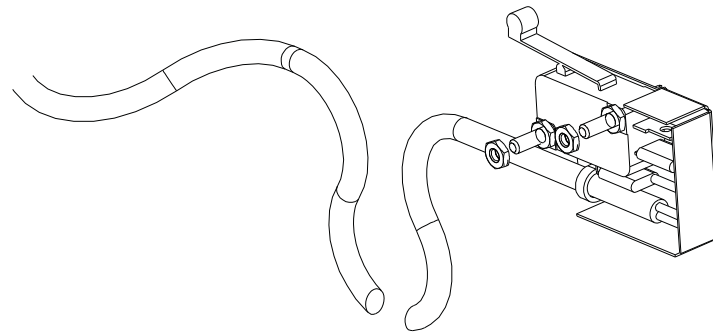
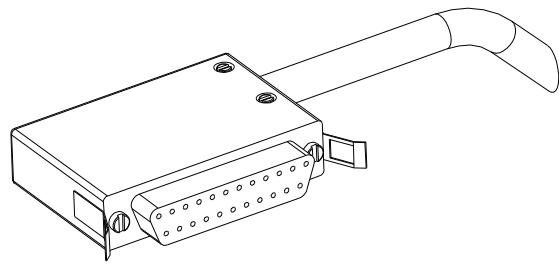
| Pos. Det. | Dílce č. Part No. | Název | Denomination |
|--------------|----------------------|-------|--------------|
|--------------|----------------------|-------|--------------|



M 301

| Pos. Det. | Dílce č. Part No. | Název | Denomination |
|--------------|----------------------|-------------------------|------------------|
| | S980 000301 | PROPOJOVACÍ KABEL | CONNECTING CABLE |

| Pos. Det. | Dílce č. Part No. | Název | Denomination |
|--------------|----------------------|-------|--------------|
|--------------|----------------------|-------|--------------|

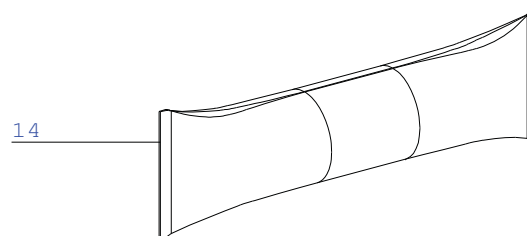
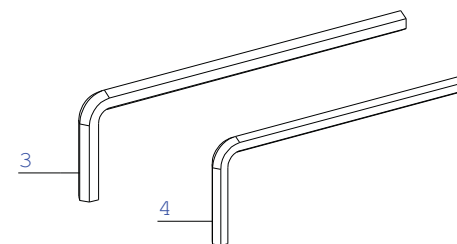
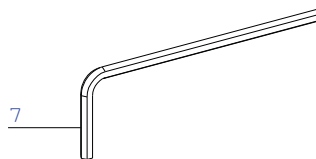
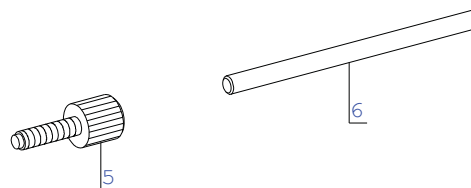
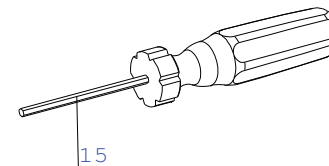
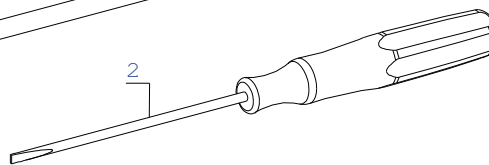
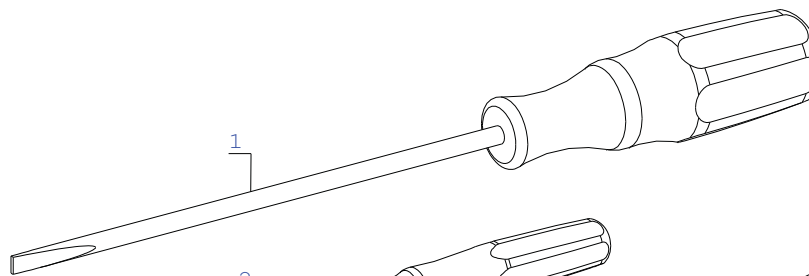
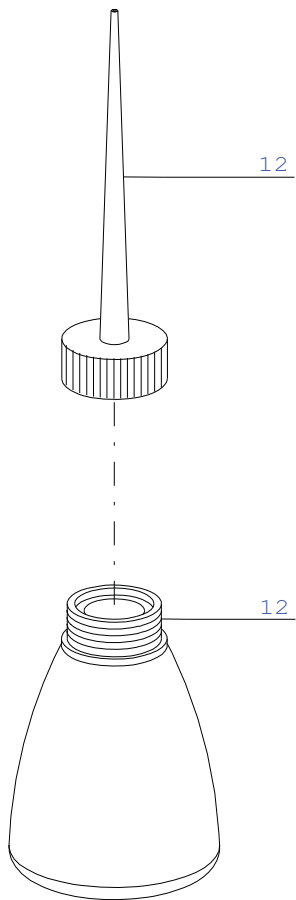
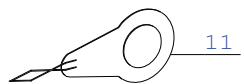


M 325

| Pos. Det. | Dílce č. Part No. | Název | Denomination |
|--------------|----------------------|-------|--------------|
|--------------|----------------------|-------|--------------|

..... S980 000325 PROPOJOVACÍ KABEL CONNECTING CABLE

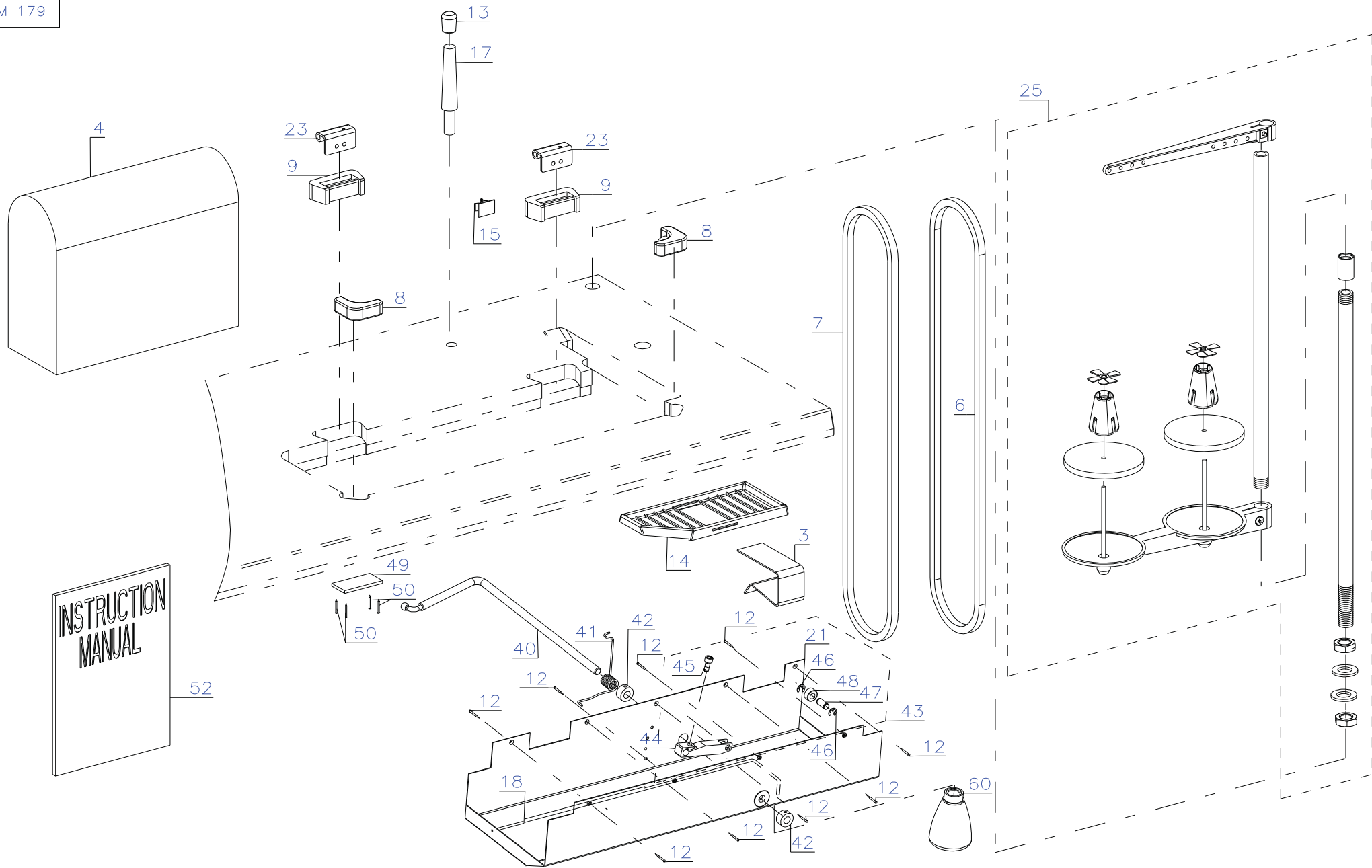
| Pos. Det. | Dílce č. Part No. | Název | Denomination |
|--------------|----------------------|-------|--------------|
|--------------|----------------------|-------|--------------|



M 015

| Pos. Det. | Dílec č. Part No. | Název | Denomination |
|--------------|----------------------|--------------------------|----------------------|
| | S980 000015 | STANDARDNÍ PŘÍSLUŠENSTVÍ | STANDARD ACCESSORIES |
| 1 | 9081 500051 | ŠROUBOVÁK | SCREWDRIVER |
| 2 | 9081 500010 | ŠROUBOVÁK | SCREWDRIVER |
| 3 | S413 000500 | KLÍČ IMBUS 5 | SPANNER IMBUS 5 |
| 4 | S413 000400 | KLÍČ IMBUS 4 | SPANNER IMBUS 4 |
| 5 | S080 133124 | ARETAČNÍ ŠROUB | FIXING SCREW |
| 6 | S080 310470 | NAŠTAVOVACÍ KOLÍK | SETTING PIN |
| 7 | S413 000500 | KLÍČ IMBUS 3 | SPANNER IMBUS 3 |
| 11 | S548 001000 | NAVLEKAČ NITÍ | THREADING OF THREAD |
| 12 | 0052 000369 | OLEJNÍČKA | OIL CAN |
| 14 | 0211 000699 | MAZACÍ OLEJ | OIL |
| 15 | 9081 100251 | ŠROUBOVÁK | SCREWDRIVER |

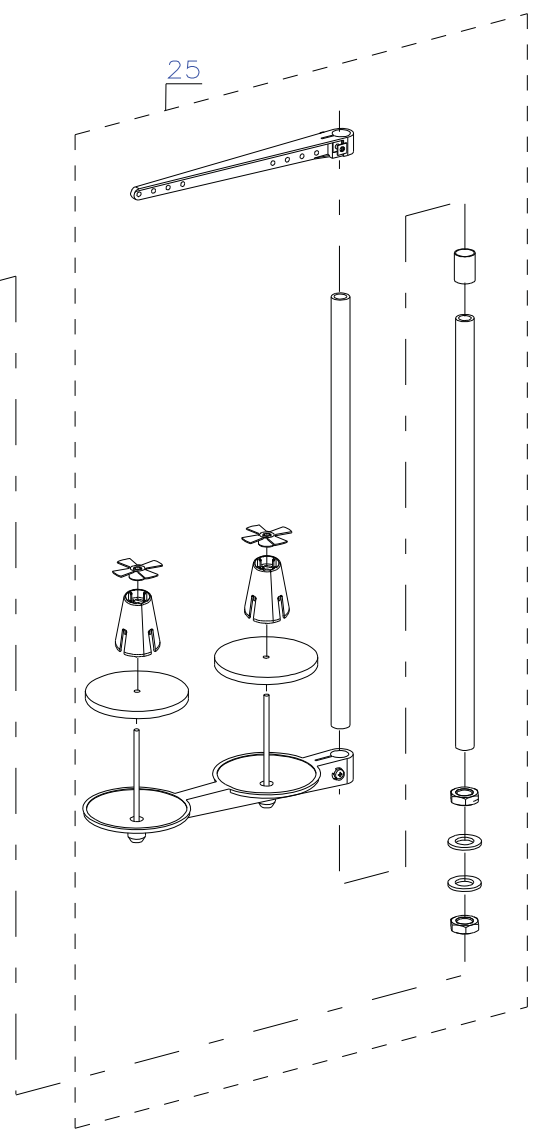
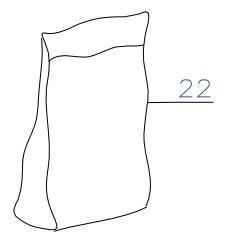
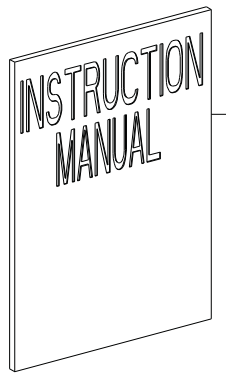
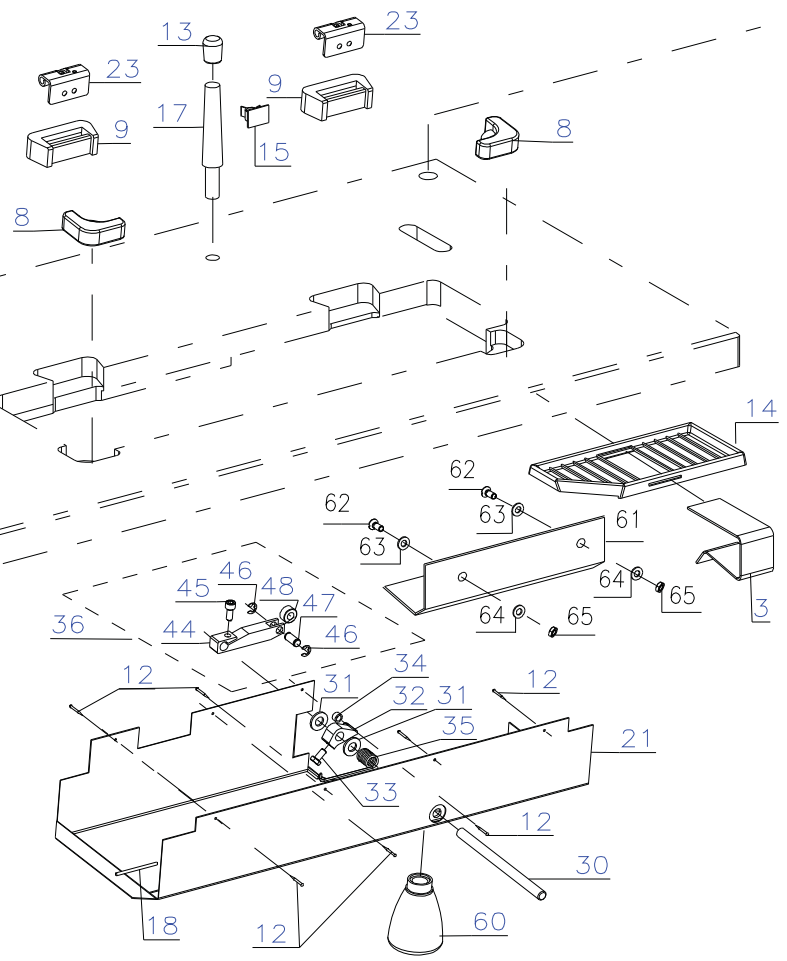
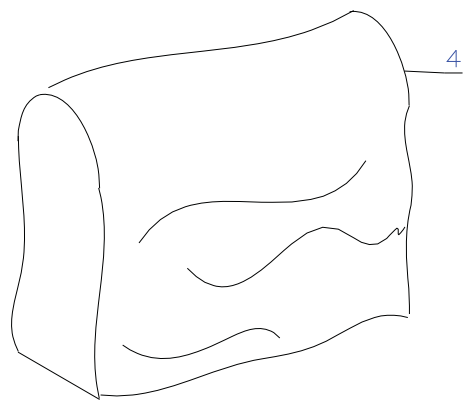
| Pos. Det. | Dílec č. Part No. | Název | Denomination |
|--------------|----------------------|-------|--------------|
|--------------|----------------------|-------|--------------|

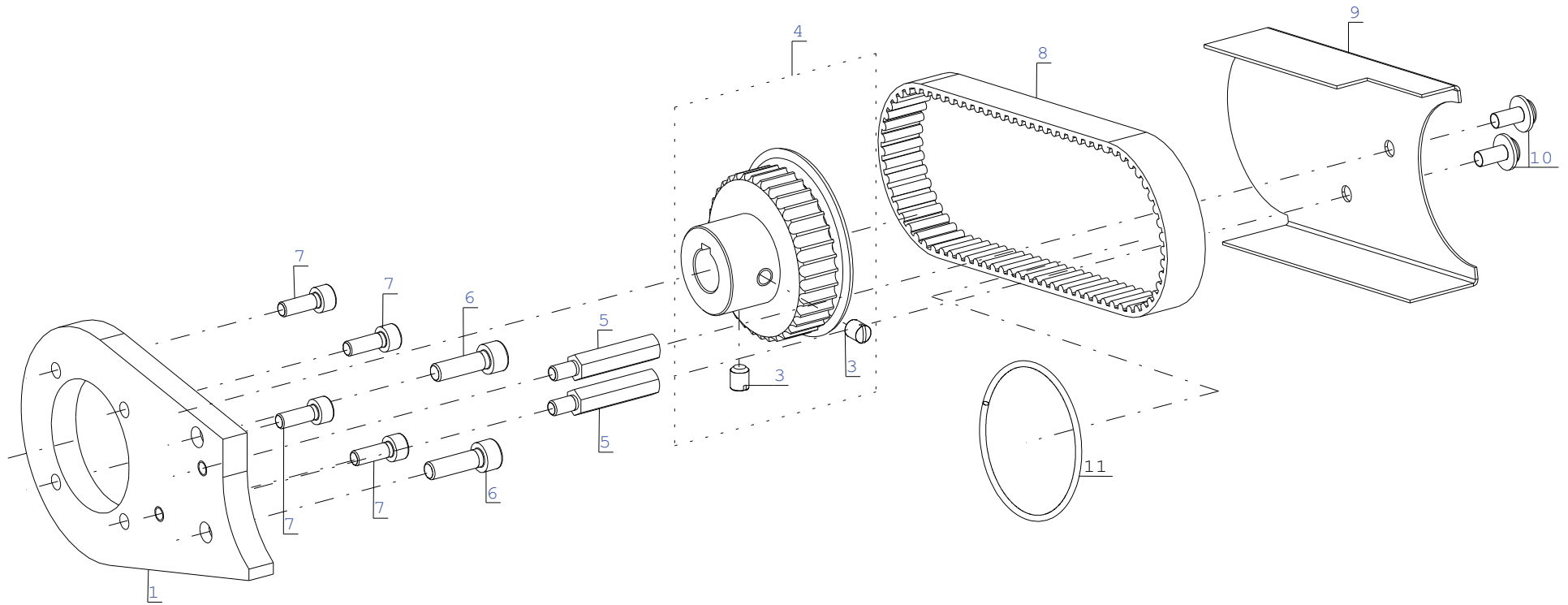


M 179

| Pos. Det. | Dílec č. Part No. | Název | Denomination |
|--------------|----------------------|---------------------------------|---|
| 3 | S080 826387 | PŘÍCHYTKA | CLIP |
| 4 | 0APP 000301 | KRYT | COVER |
| 6 | S272 000040 | KLÍNOVÝ ŘEMEN | V-BELT |
| 7 | S272 000043 | KLÍNOVÝ ŘEMEN | V-BELT |
| 8 | S907 010050 | VLOŽKA | INSERT |
| 9 | S273 940127 | VLOŽKA | INSERT |
| 12 | S840 123002 | HŘEB 2 x 23 | NAIL 2 x 23 |
| 13 | S321 026000 | ČEPIČKA 16 x 26 | CAP 16 x 26 |
| 14 | S321 953251 | MISKA | DISH |
| 15 | S345 172000 | KABEL. PŘÍCHYTKA | CABLE CLIP |
| 17 | S615 932046 | KOLÍK | PIN |
| 18 | S708 130003 | KNOT MAZACÍ | WICK LUBRICATING |
| 21 | S980 057265 | OLEJOVÁ VANA S POUZDRY | OIL TRAY WITH BUSHINGS |
| 23 | S080 823149 | ZÁVĚS | HANGER |
| 25 | S981 036162 | NIŤ. STOJÁNEK PRO JEDNOJEHL.ST. | THREAD STAND FOR SINGLE-NEEDLE MACHINES |
| 40 | S080 383206 | PÁKA | LEVER |
| 41 | S080 264330 | PRUŽINA | SPRING |
| 42 | S311 710010 | STAVĚCÍ KROUŽEK | REGULATING RING |
| 43 | S981 027603 | PÁKA ÚPLNÁ | LEVER CPL. |
| 44 | | VIZ POS. 43 | SEE 43 |
| 45 | S080 120295 | ŠROUB | SCREW |
| 46 | S311 732060 | POJ. KROUŽEK | RETAINING RING |
| 47 | | VIZ POS. 43 | SEE 43 |
| 48 | | VIZ POS. 43 | SEE 43 |
| 49 | S080 941091 | PODLOŽKA | WASHER |
| 50 | S314 016020 | HŘEB 1,6 x 20 | NAIL 1.6 x 20 |
| 52 | | Dokumentace dle typu stroje | Documentation of the machine type |
| 60 | 0052 000369 | OLEJNIČKA | OIL CAN |

| Pos. Det. | Dílec č. Part No. | Název | Denomination |
|--------------|----------------------|-------|--------------|
|--------------|----------------------|-------|--------------|

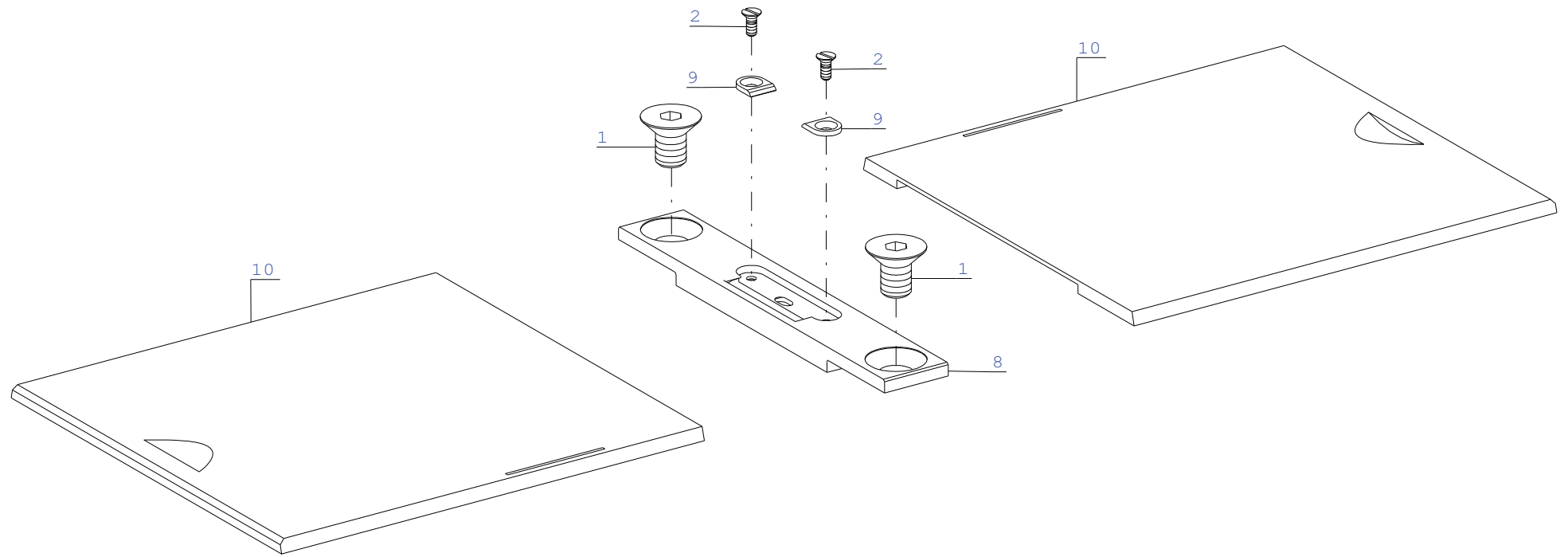




M 300

| Pos. Det. | Dílec č. Part No. | Název | Denomination |
|--------------|----------------------|----------------|--------------|
| 1 | S080 836488 | DRŽÁK | HOLDER |
| 3 | S080 111236 | ŠROUB | SCREW |
| 4 | S981 045566 | ŘEMENICE ÚPLNÁ | PULLEY CPL. |
| 5 | S080 146064 | ŠROUB | SCREW |
| 6 | 9202 002908 | ŠROUB | SCREW |
| 7 | S309 543512 | ŠROUB | SCREW |
| 8 | S272 100519 | OZUBENÝ ŘEMEN | TOOTHED BELT |
| 9 | S080 831710 | KRYT | COVER |
| 10 | S309 000510 | ŠROUB | SCREW |
| 11 | S080 274152 | KROUŽEK | RING |

| Pos. Det. | Dílec č. Part No. | Název | Denomination |
|--------------|----------------------|-------|--------------|
|--------------|----------------------|-------|--------------|

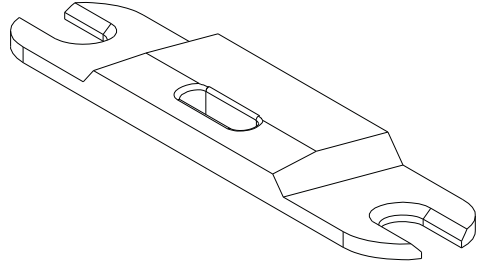


M 081

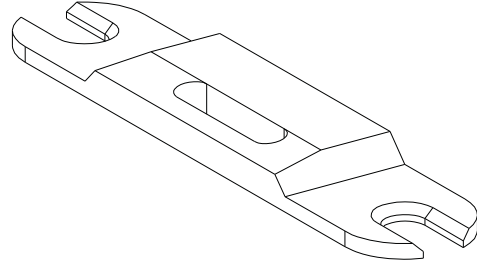
| Pos. Det. | Dílec č. Part No. | Název | Denomination |
|--------------|----------------------|-------------------------------|-------------------------|
| | S980 000081 | STEHOVÁ DESKA KOMPLETNÍ | THROAT PLATE CPL. |
| 1 | S309 799610 | ŠROUB | SCREW |
| 2 | S080 126184 | ŠROUB | SCREW |
| 8 | S080 811774 | STEHOVÁ DESKA | THROAT PLATE |
| 9 | S080 826382 | PŘÍLOŽKA | SPLICE |
| 10 | S080 812197 | DESKA | PLATE |

| Pos. Det. | Dílec č. Part No. | Název | Denomination |
|--------------|----------------------|-------|--------------|
|--------------|----------------------|-------|--------------|

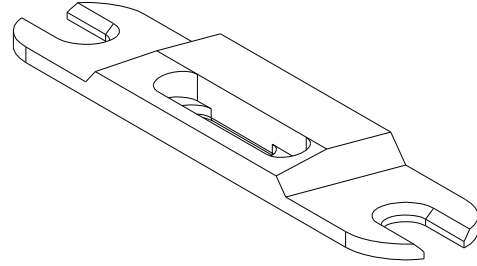
M 101



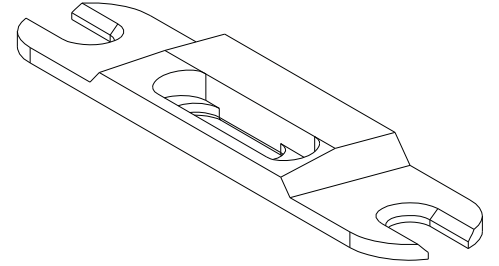
M 102



M 103



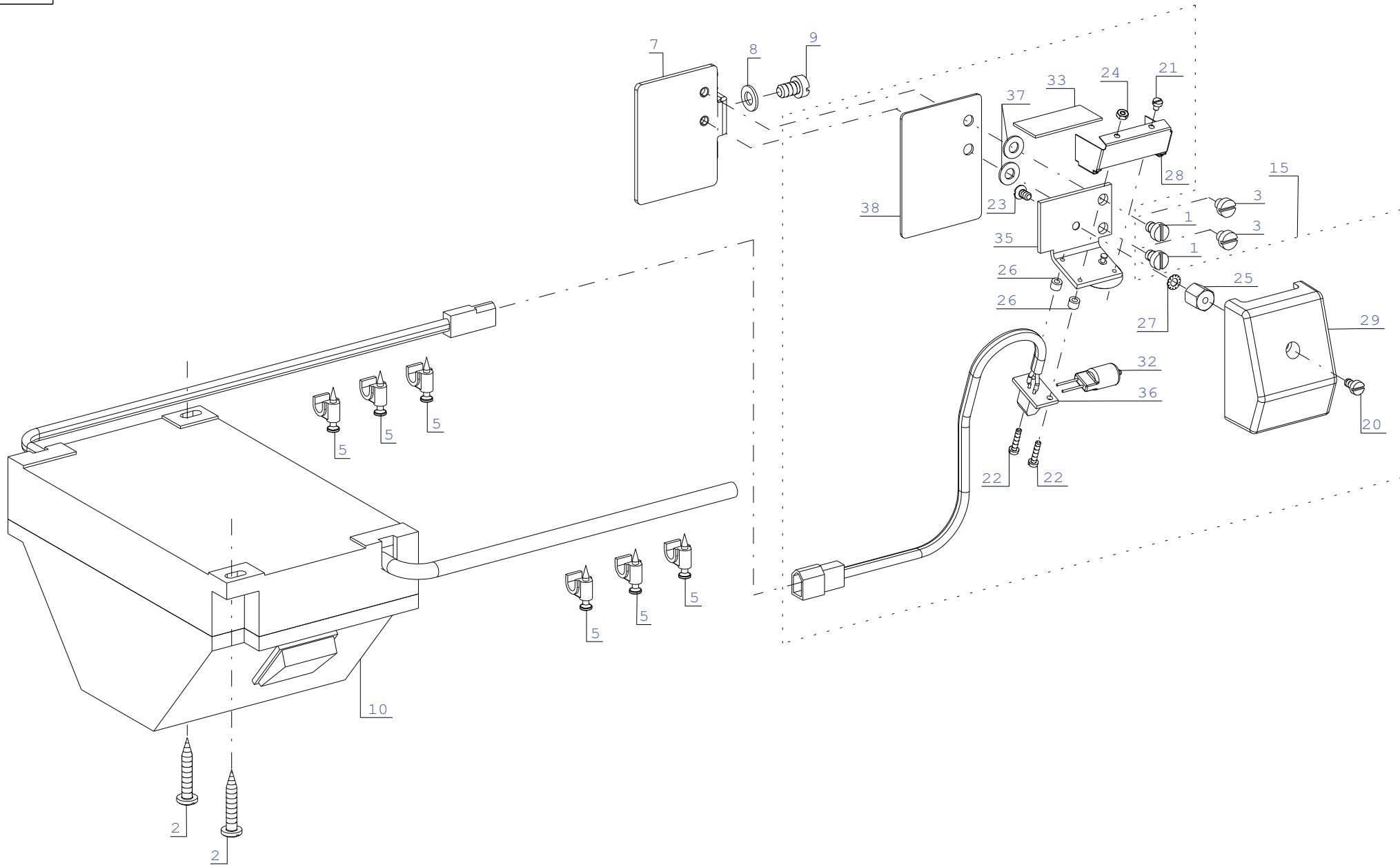
M 104

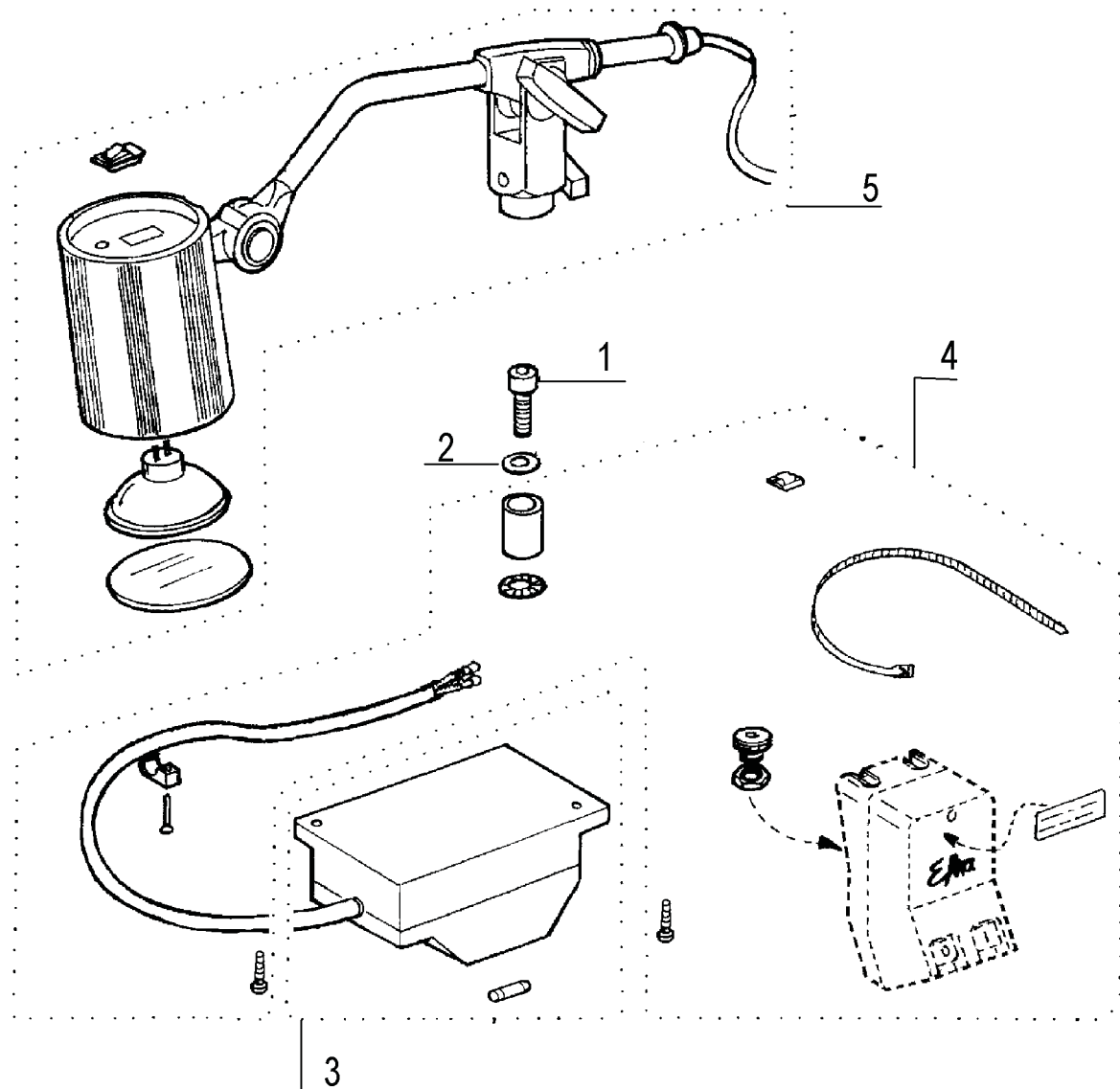


M 101 M 102 M 103 M 104

| Pos. Det. | Dílce č. Part No. | Název | Denomination |
|--------------|-------------------------|----------------------------|---------------------|
| M 101 | S980 000101 | VLOŽKA STEHOVÉ DESKY | THROAT PLATE INSERT |
| M 102 | S980 000102 | VLOŽKA STEHOVÉ DESKY | THROAT PLATE INSERT |
| M 103 | S980 000103 | VLOŽKA STEHOVÉ DESKY | THROAT PLATE INSERT |
| M 104 | S980 000104 | VLOŽKA STEHOVÉ DESKY | THROAT PLATE INSERT |

| Pos. Det. | Dílce č. Part No. | Název | Denomination |
|--------------|----------------------|-------|--------------|
|--------------|----------------------|-------|--------------|

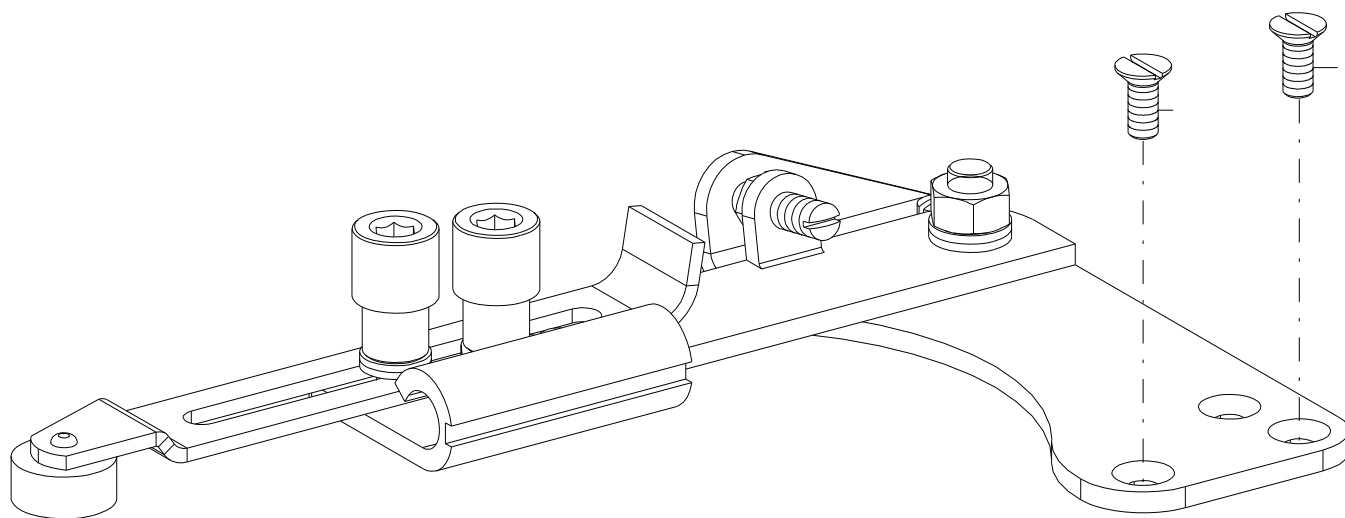




Z 012

| Pos. Det. | Dílec č. Part No. | Název | Denomination |
|--------------|----------------------|-------------------------------|-------------------------|
| | S794 222012 | OSVĚTLENÍ HALOGEN | LIGHTING HALOGEN |
| 1 | S080 120692 | ŠROUB | SCREW |
| 2 | S080 190346 | PODLOŽKA | WASHER |
| 3 | 0798 500088 | TRANSFORMÁTOR OSVĚTLENÍ | TRANSFORMER OF LIGHTING |
| 4 | 0907 487519 | SADA DÍLCŮ | SET OF PARTS |
| 5 | 9822 510001 | OSVĚTLENÍ | LIGHT |

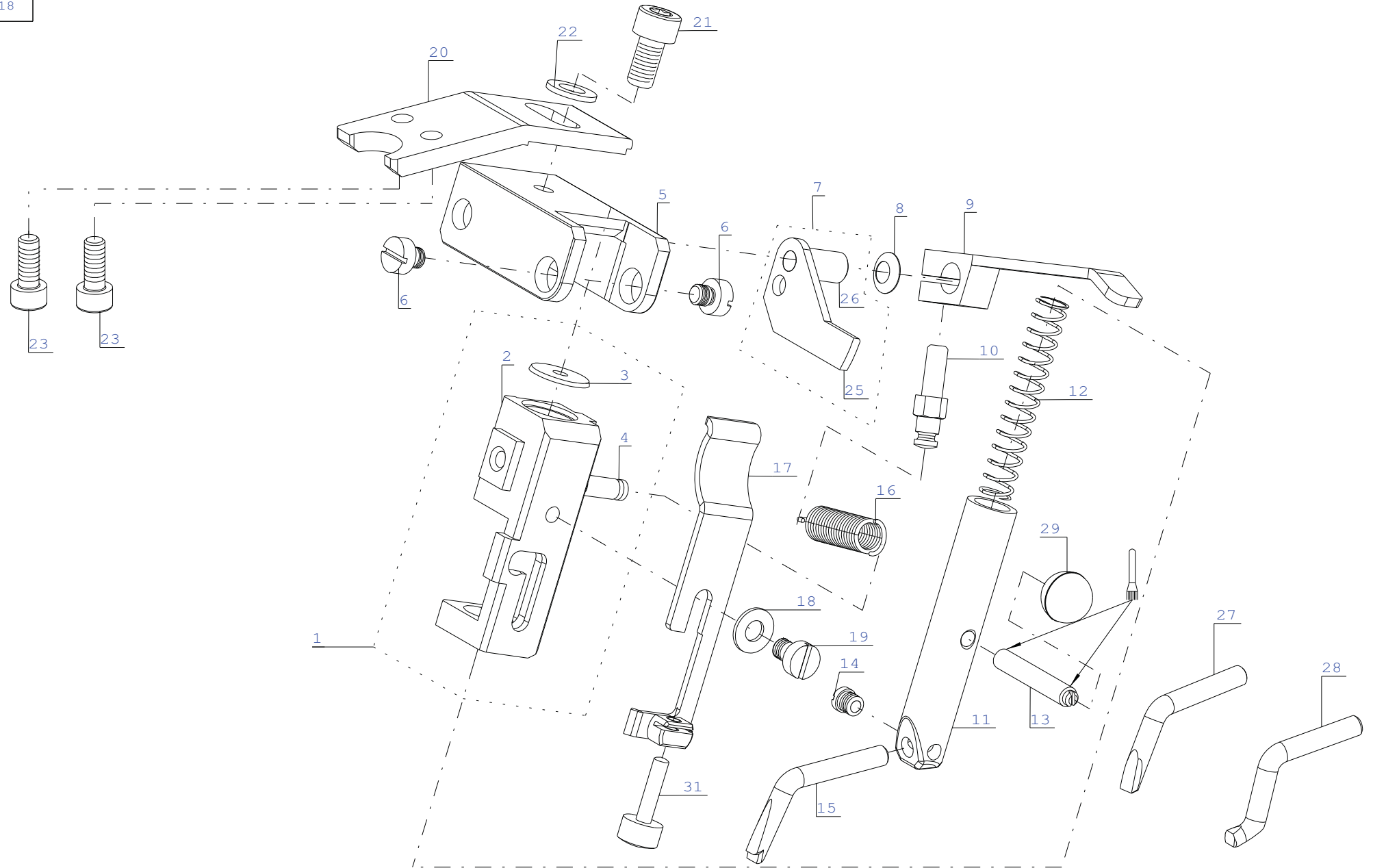
| Pos. Det. | Dílec č. Part No. | Název | Denomination |
|--------------|----------------------|-------|--------------|
|--------------|----------------------|-------|--------------|



M 198

| Pos. Det. | Díllec č. Part No. | Název | Denomination |
|--------------|-----------------------|------------------|-----------------|
| | S980 000198 | VODIČ DÍLA | SEWN WORK GUIDE |

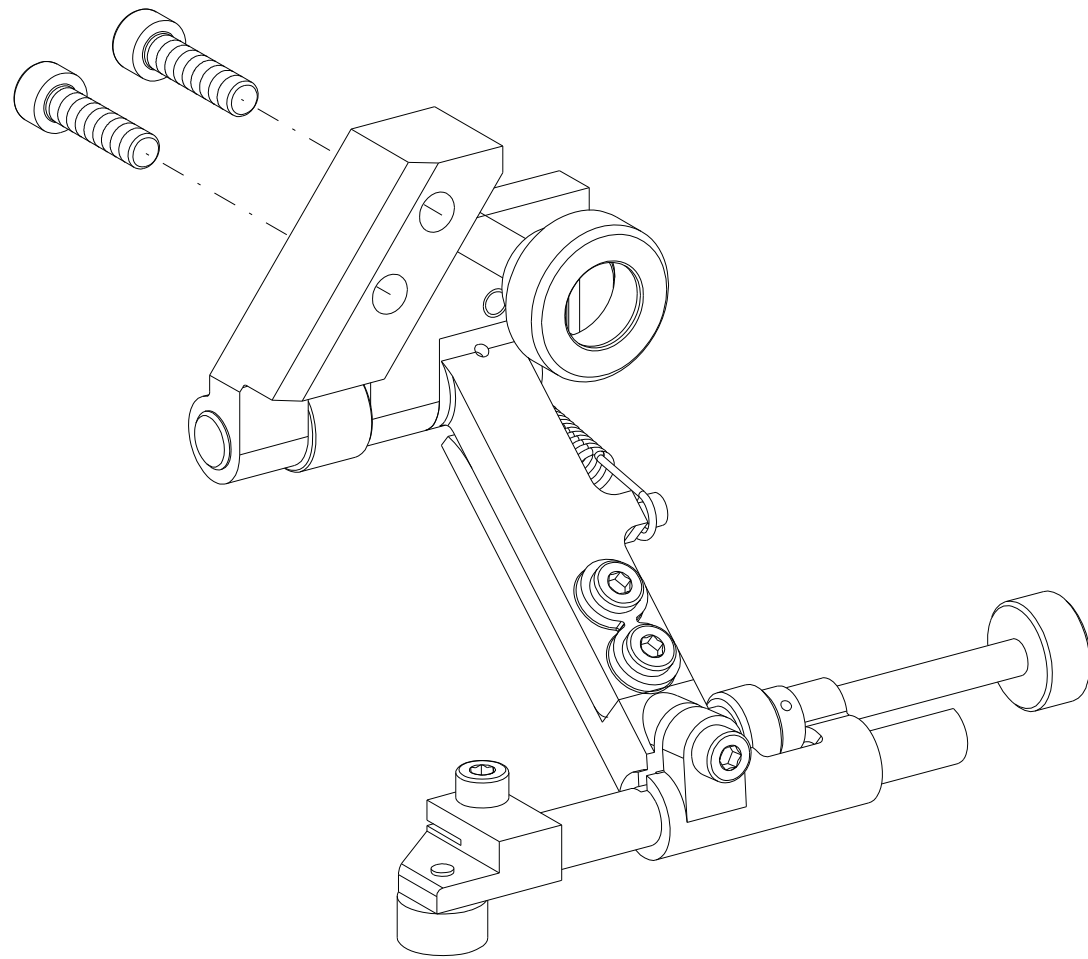
| Pos. Det. | Díllec č. Part No. | Název | Denomination |
|--------------|-----------------------|-------|--------------|
|--------------|-----------------------|-------|--------------|



M 018

| Pos. Det. | Dílec č. Part No. | Název | Denomination |
|--------------|----------------------|----------------|-----------------|
| | S980 000018 | VODIČ DÍLA | SEWN WORK GUIDE |
| 1 | S980 052052 | VEDENÍ ÚPLNÉ | GUIDANCE CPL. |
| 2 | | VIZ POS. 1 | SEE 1 |
| 3 | | VIZ POS. 1 | SEE 1 |
| 4 | | VIZ POS. 1 | SEE 1 |
| 5 | S080 744535 | NOSIČ | CARRIER |
| 6 | S080 110106 | ČEP | PIN |
| 7 | S980 052053 | PÁKA ÚPLNÁ | LEVER CPL. |
| 8 | S080 192065 | PODLOŽKA | WASHER |
| 9 | S080 616046 | PÁKA | LEVER |
| 10 | S080 332171 | ŠROUB | SCREW |
| 11 | S080 318242 | TYČ | BAR |
| 12 | S080 260607 | PRUŽINA | SPRING |
| 13 | S080 115098 | ČEP | PIN |
| 14 | S080 124051 | ŠROUB | SCREW |
| 15 | S080 271529 | VODIČ | GUIDE |
| 16 | S080 263278 | PRUŽINA | SPRING |
| 17 | S980 047274 | PÁKA ÚPLNÁ | LEVER CPL. |
| 18 | S080 190353 | PODLOŽKA | WASHER |
| 19 | S309 912406 | ŠROUB M4 x 6 | SCREW M4 x 6 |
| 20 | S080 826384 | DRŽÁK | HOLDER |
| 21 | S309 912508 | ŠROUB M5 x 8 | SCREW M5 x 8 |
| 22 | S080 190359 | PODLOŽKA | WASHER |
| 23 | S309 912410 | ŠROUB M4 x 10 | SCREW M4 x 10 |
| 25 | | VIZ POS. 7 | SEE 7 |
| 26 | | VIZ POS. 7 | SEE 7 |
| 27 | S080 271538 | VODIČ | GUIDE |
| 28 | S080 271539 | VODIČ | GUIDE |
| 29 | S321 010220 | KOULE | BALL |
| 31 | S080 134028 | DORAZOVÝ ŠROUB | SCREW |

| Pos. Det. | Dílec č. Part No. | Název | Denomination |
|--------------|----------------------|-------|--------------|
|--------------|----------------------|-------|--------------|



M 149

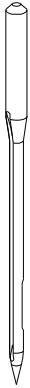
| Pos. | Dílec č. | Název | Denomination |
|-------|-------------|------------|-----------------|
| Det. | Part No. | | |
| | S980 000149 | VODIČ DÍLA | SEWN WORK GUIDE |

| Pos. | Dílec č. | Název | Denomination |
|------|----------|-------|--------------|
| Det. | Part No. | | |

M 020



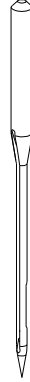
M 021



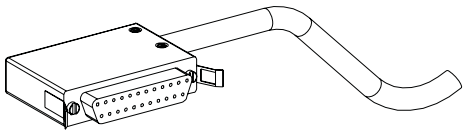
M 022



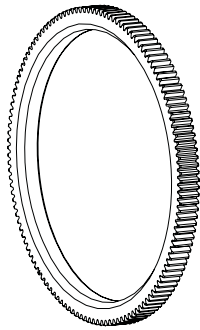
M 023



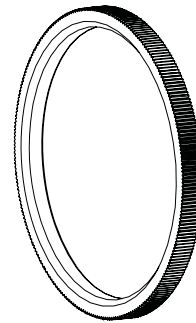
M 055



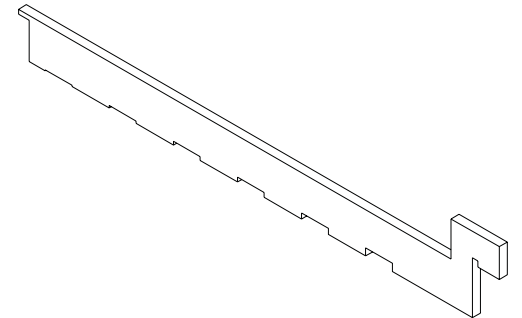
M 082



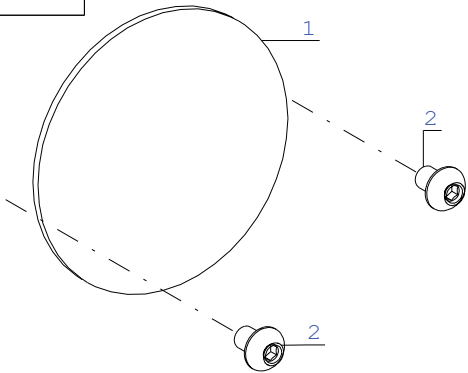
M 083



M 242



M 520

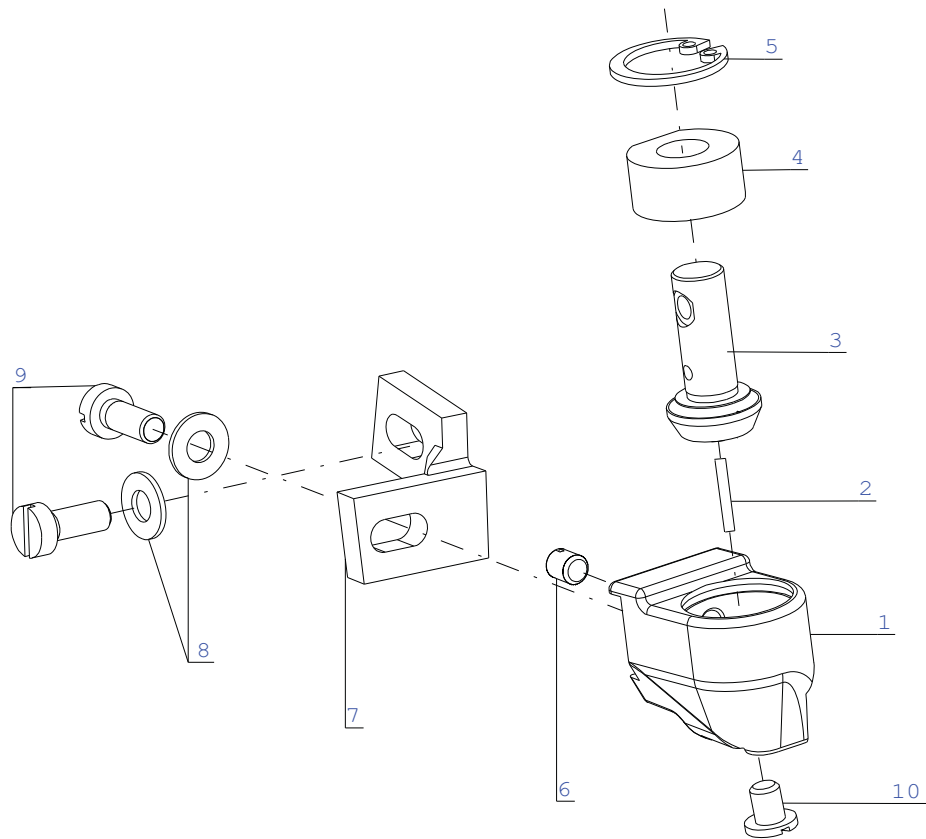


M 020 M 021 M 022 M 023 M 055 M 082 M 083 M 242 M 520

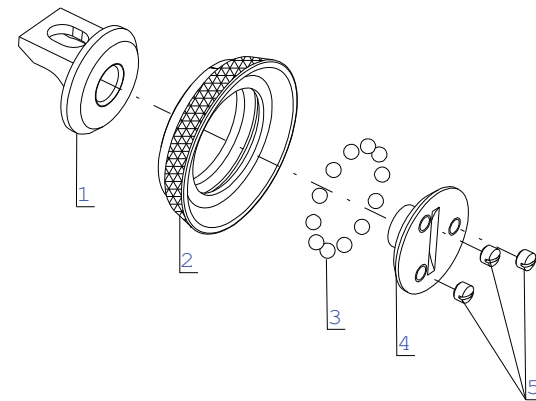
| Pos. Det. | Dílce č. Part No. | Název | Denomination |
|--------------|-------------------------|------------------------------------|------------------------------------|
| M 020 | S548 134013 | JEHLA 134 LR č. 80 | NEEDLE 134 LR No. 80 |
| M 021 | S548 000311 | JEHLA 134 KKLR č. 130 | NEEDLE 134 KKLR No. 130 |
| M 022 | S548 000320 | JEHLA 134 KKLR č. 160 | NEEDLE 134 KKLR No. 160 |
| M 023 | S548 134001 | JEHLA 134 LR č. 100 | NEEDLE 134 LR No. 100 |
| M 055 | S980 000055 | PROPOJOVACÍ KABEL | CONNECTING CABLE |
| M 082 | S980 000082 | PODAVAČ 1,2 | FEEDING WHEEL 1.2 |
| M 083 | S980 000083 | PODAVAČ 0,6 | FEEDING WHEEL 0.6 |
| M 242 | S980 000242 | SEŘIZOVACÍ MĚRKA | ADJUSTABLE GAUGE |
| M 520 | S980 000520 | DÍLCE PRO STROJ BEZ ODSTŘIHU | PARTS FOR MACHINE WITHOUT TRIMMING |
| 1 | S080 814483 | VÍKO | COVER |
| 2 | S309 738406 | ŠROUB | SCREW |

| Pos. Det. | Dílce č. Part No. | Název | Denomination |
|--------------|----------------------|-------|--------------|
| | | | |

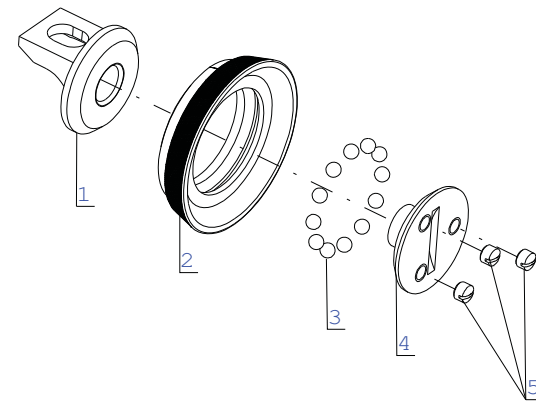
M 156



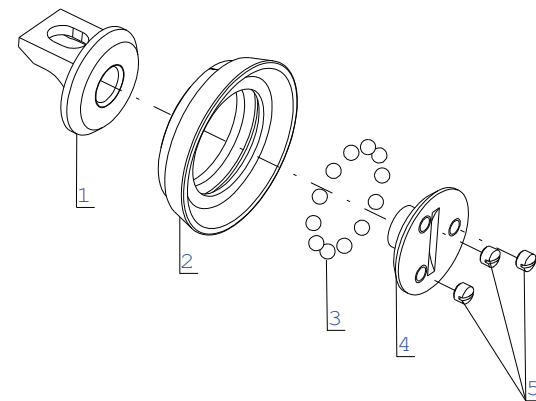
M 172



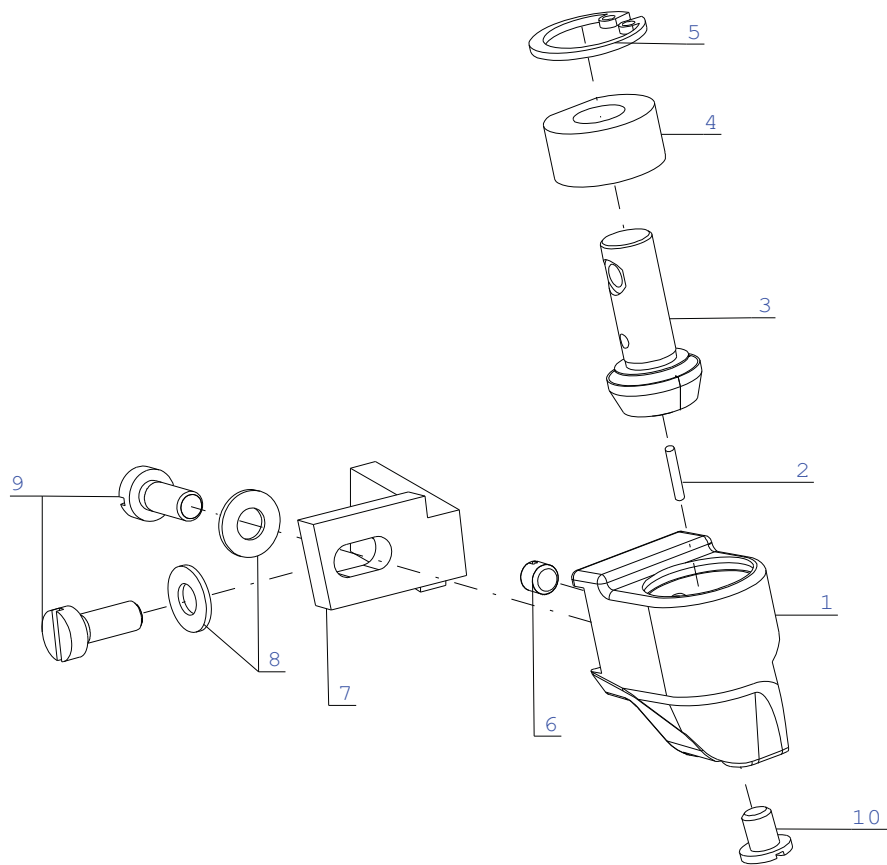
M 174



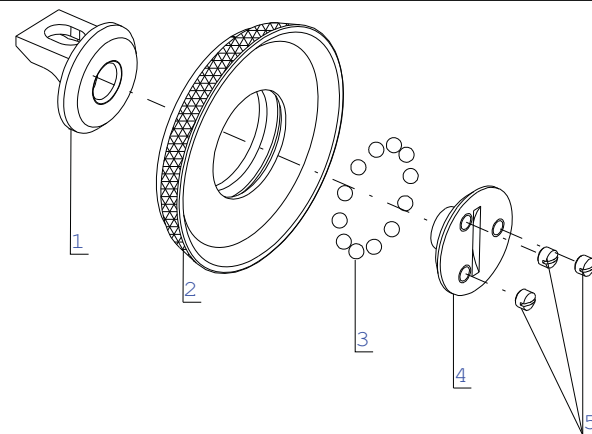
M 310



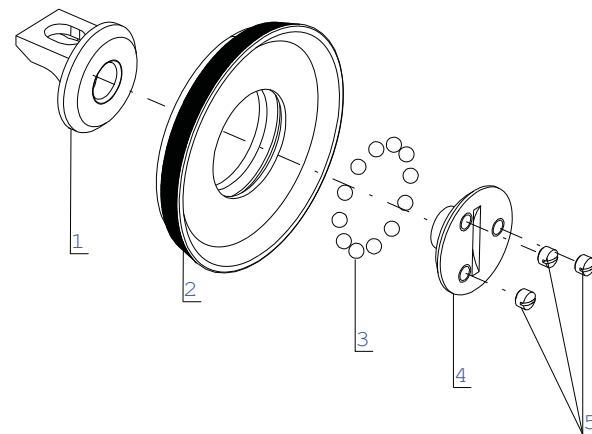
M 157



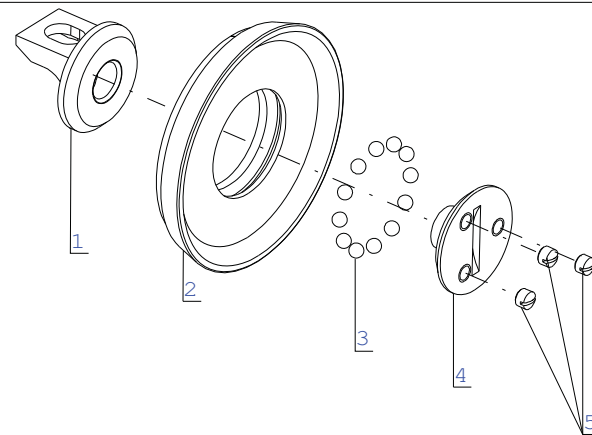
M 173



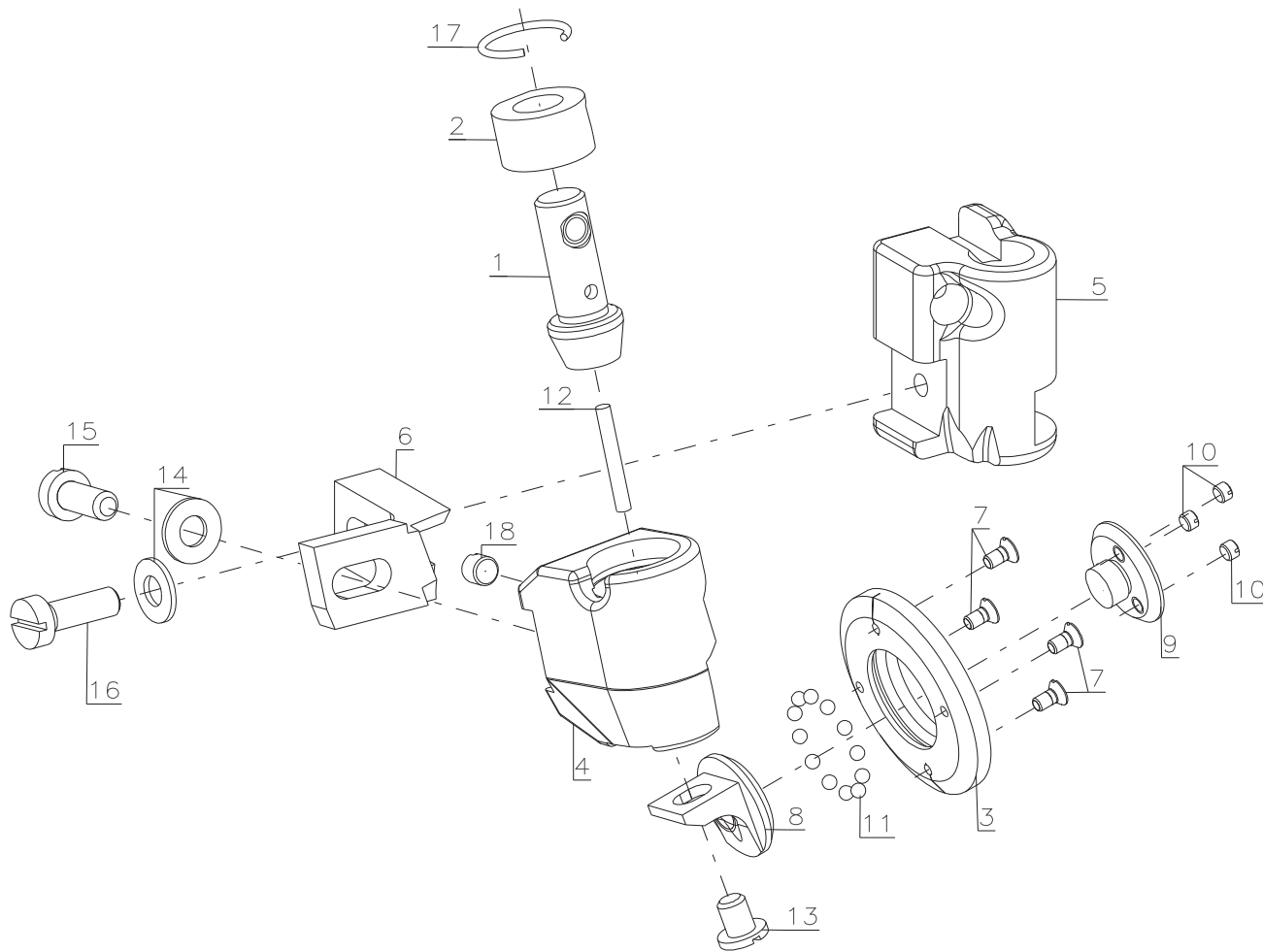
M 175



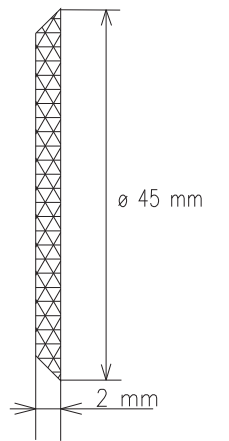
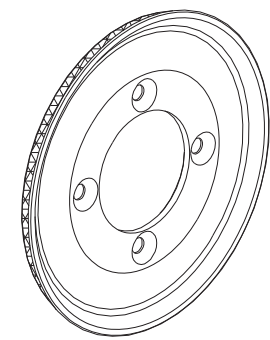
M 311



M 295



M 296



M 297

