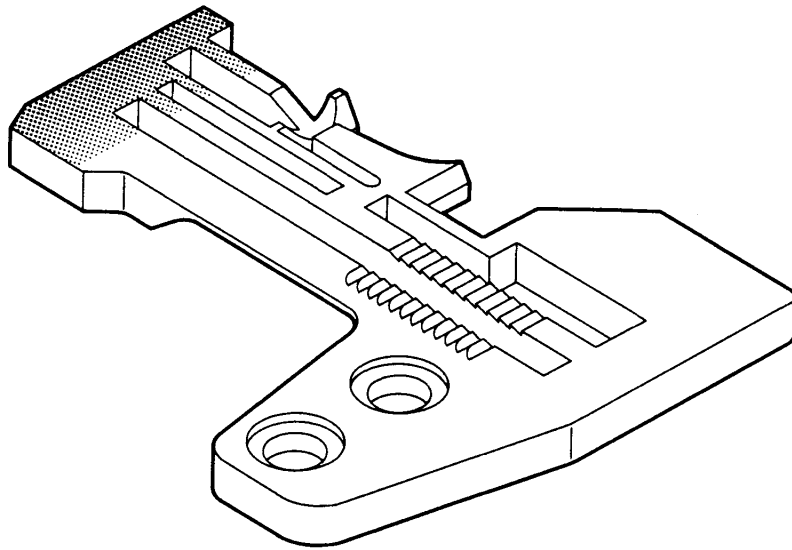

NEEDLE PLATES FOR TK DEVICE

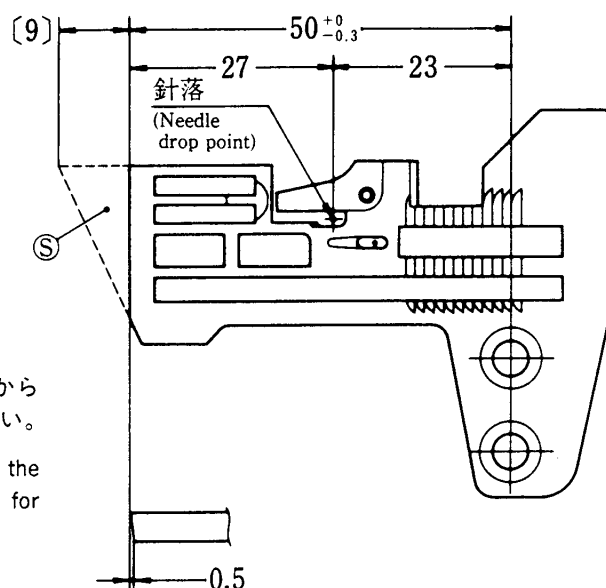
(Tape Cutter)



PEGASUS®

| 標準針板 | 針板/TK | 機種 | ゲージ (mm) | 送り形式 | 備考 |
|------------------------|--------------------|--------|------------|-----------------|----------------|
| ORIGINAL NDL. PLATE | NEEDLE PLATE/TK | MODELS | GAUGE (mm) | FEED PATTERN | REMARKS |
| 211276 | 301934 | E | 2.0 | 1-ROW | |
| 211277 | 301935 | E | 3.0 | 1-ROW | |
| 211278 | 301936 | E | 4.0 | 1-ROW | |
| 211279 | 301931 | E | 2.0 | 1-ROW | |
| 211280 | 301932 | E | 3.0 | 1-ROW | |
| 211281 | 301933 | E | 4.0 | 1-ROW | |
| 211282 | 301950 | E | 1.5 | 1-ROW | |
| 211299 | 301490 | E | 7.0 | 3N | |
| 211460 | 301945 | E | 2.5 | | |
| 211461 | 301946 | E | 3.5 | | |
| 211546 | 301957 | E | 0.8X1.5 | 1-ROW | |
| 211547 | 301958 | E | 1.2X2.0 | 1-ROW | 1-ROW (1列) |
| 211548 | 301959 | E | 1.2X3.6 | 1-ROW | |
| 211549 | 301951 | E | 1.6 | 1-ROW | 2W (2列 巾広) |
| 211550 | 301952 | E | 2.4 | 1-ROW | (2-row Wide) |
| 211551 | 301953 | E | 0.8X1.5 | 1-ROW | |
| 211552 | 301954 | E | 0.8X2.4 | 1-ROW | |
| 211553 | 301955 | E | 0.8X3.2 | 1-ROW | 3N (3列 巾狭) |
| 211554 | 301956 | E | 1.2X2.0 | 1-ROW | (3-row Narrow) |
| 211601 | 304036 | E | 4.0 | 1-ROW | |
| 211766 | 301947 | E | 5.0 | 1-ROW | |
| 211767 | 301948 | E | 6.0 | 1-ROW | |
| 212241 | 301937 | E | 3.0 | 2W | |
| 212242 | 301938 | E | 4.0 | 2W | |
| 212243 | 301939 | E | 5.0 | 2W | |
| 212244 | 301940 | E | 6.0 | 2W | |
| 212245 | 301941 | E | 3.0 | 2W | |
| 212246 | 301942 | E | 4.0 | 2W | |
| 212247 | 301943 | E | 5.0 | 2W | |
| 212248 | 301944 | E | 6.0 | 2W | |

図1 (Fig. 1)

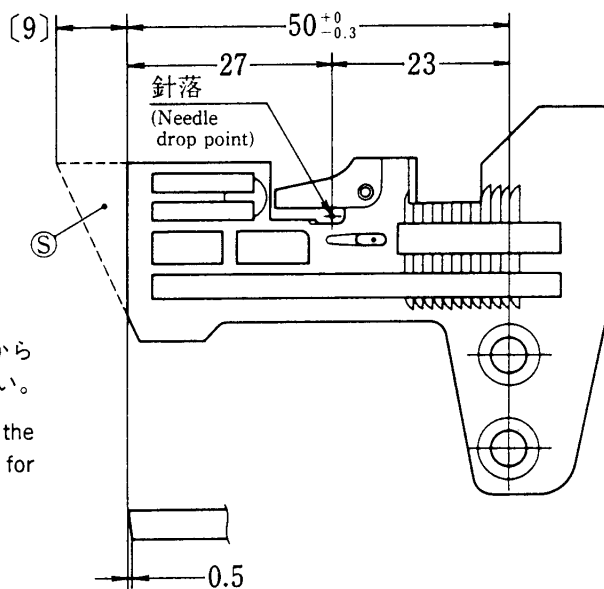


- TK用針板は、標準針板から
⑤部をカットして下さい。
- Cut off area ⑤ from the
original needle plate for
machines with TK.

| 標準針板 | 針板/TK | 機種 | ゲージ (mm) | 送り形式 | 備考 |
|------------------------|--------------------|--------|------------|-----------------|------------------------------|
| ORIGINAL NDL. PLATE | NEEDLE PLATE/TK | MODELS | GAUGE (mm) | FEED PATTERN | REMARKS |
| 212120 | 301766 | ETS32 | 3.0X5.0 | 2W | |
| 212121 | 301767 | ETS32 | 3.0X6.0 | 2W | |
| 212123 | 301768 | ETS32 | 5.0X5.0 | 2W | |
| 212124 | 301769 | ETS32 | 5.0X6.0 | 2W | |
| 212125 | 301770 | ETS32 | 5.0X7.0 | 2W | |
| 212128 | 301771 | ETS32 | 5.0X5.0 | 3N | |
| 212129 | 301772 | ETS32 | 5.0X6.0 | 3N | |
| 212130 | 301773 | ETS32 | 5.0X7.0 | 3N | |
| 212155 | 301774 | ETS32 | 3.0X3.0 | 2W | |
| 212156 | 301775 | ETS32 | 3.0X4.0 | 2W | |
| 212157 | 301776 | ETS32 | 3.0X5.0 | 2W | 2W (2列 巾広) (2-row Wide) |
| 212158 | 301777 | ETS32 | 3.0X6.0 | 2W | |
| 212161 | 301778 | ETS32 | 5.0X3.0 | 2W | |
| 212162 | 301779 | ETS32 | 5.0X4.0 | 2W | 3N (3列 巾狭) (3-row Narrow) |
| 212163 | 301780 | ETS32 | 5.0X5.0 | 2W | |
| 212164 | 301781 | ETS32 | 5.0X6.0 | 2W | |
| 212167 | 301782 | ETS32 | 3.0X3.0 | 3N | |
| 212168 | 301783 | ETS32 | 3.0X4.0 | 3N | |
| 212169 | 301784 | ETS32 | 3.0X5.0 | 3N | |
| 212170 | 301785 | ETS32 | 3.0X6.0 | 3N | |
| 212173 | 301786 | ETS32 | 5.0X3.0 | 3N | |
| 212174 | 301787 | ETS32 | 5.0X4.0 | 3N | |
| 212175 | 301788 | ETS32 | 5.0X5.0 | 3N | |
| 212176 | 301789 | ETS32 | 5.0X6.0 | 3N | |
| 212190 | 301969 | ETS32 | 5.0X7.0 | 3N | |

| 標準針板 | 針板/TK | 機種 | ゲージ (mm) | 送り形式 | 備考 |
|------------------------|--------------------|--------|------------|-----------------|----------------|
| ORIGINAL NDL. PLATE | NEEDLE PLATE/TK | MODELS | GAUGE (mm) | FEED PATTERN | REMARKS |
| 210833 | 301195 | E32 | 2.0X3.0 | 2N | |
| 210834 | 301196 | E32 | 2.0X4.0 | 2N | |
| 210835 | 301197 | E32 | 2.0X5.0 | 2N | |
| 210836 | 301198 | E32 | 2.0X6.0 | 2N | |
| 210837 | 301199 | E32 | 3.0X3.0 | 2N | |
| 210838 | 301200 | E32 | 3.0X4.0 | 2N | |
| 210839 | 301201 | E32 | 3.0X5.0 | 2N | |
| 210840 | 301202 | E32 | 3.0X6.0 | 2N | |
| 210841 | 301203 | E32 | 2.0X3.0 | 2W | |
| 210842 | 301204 | E32 | 2.0X4.0 | 2W | |
| 210843 | 301205 | E32 | 2.0X5.0 | 2W | |
| 210844 | 301206 | E32 | 2.0X6.0 | 2W | |
| 210845 | 301207 | E32 | 3.0X3.0 | 2W | |
| 210846 | 301208 | E32 | 3.0X4.0 | 2W | |
| 210847 | 301209 | E32 | 3.0X5.0 | 2W | 2N (2列 巾狭) |
| 210848 | 301210 | E32 | 3.0X6.0 | 2W | (2-row Narrow) |
| 210849 | 301211 | E32 | 5.0X3.0 | 2W | |
| 210850 | 301212 | E32 | 5.0X4.0 | 2W | 2W (2列 巾広) |
| 210851 | 301213 | E32 | 5.0X5.0 | 2W | (2-row Wide) |
| 210852 | 301214 | E32 | 5.0X6.0 | 2W | |
| 210853 | 301215 | E32 | 5.0X5.0 | 2W | |
| 210854 | 301216 | E32 | 5.0X6.0 | 2W | 3N (3列 巾狭) |
| 210855 | 301217 | E32 | 2.0X3.0 | 3N | (3-row Narrow) |
| 210856 | 301218 | E32 | 2.0X4.0 | 3N | |
| 210857 | 301219 | E32 | 2.0X5.0 | 3N | |
| 210858 | 301220 | E32 | 2.0X6.0 | 3N | |
| 210859 | 301221 | E32 | 3.0X3.0 | 3N | |
| 210860 | 301222 | E32 | 3.0X4.0 | 3N | |
| 210861 | 301223 | E32 | 3.0X5.0 | 3N | |
| 210862 | 301224 | E32 | 3.0X6.0 | 3N | |
| 210863 | 301225 | E32 | 5.0X3.0 | 3N | |
| 210864 | 301226 | E32 | 5.0X4.0 | 3N | |
| 210865 | 301227 | E32 | 5.0X5.0 | 3N | |
| 210866 | 301228 | E32 | 5.0X6.0 | 3N | |
| 210867 | 301229 | E32 | 5.0X5.0 | 3N | |
| 210868 | 301230 | E32 | 5.0X6.0 | 3N | |

図2 (Fig. 2)

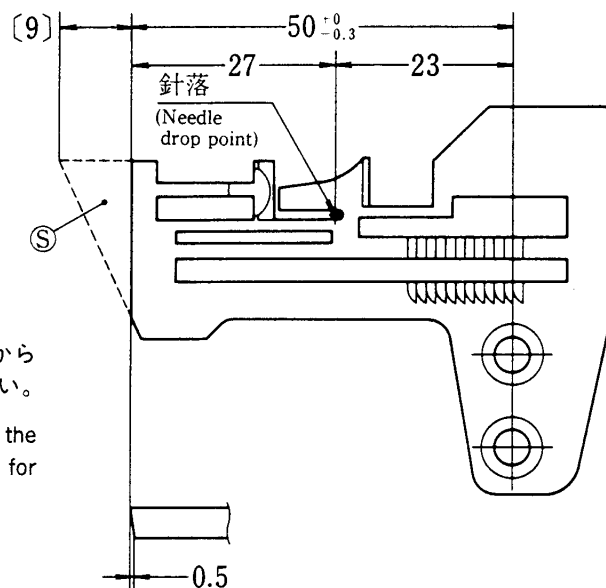


- TK用針板は、標準針板から
⑤部をカットして下さい。
- Cut off area ⑤ from the
original needle plate for
machines with TK.

| 標準針板 | 針板/TK | 機種 | ゲージ (mm) | 送り形式 | 備考 |
|------------------------|--------------------|--------|-------------|-----------------|----------------|
| ORIGINAL NDL. PLATE | NEEDLE PLATE/TK | MODELS | GAUGE (mm) | FEED PATTERN | REMARKS |
| 210964 | 301445 | E32 | 2.0X3.0 | 2W | |
| 210965 | 301446 | E32 | 2.0X4.0 | 2W | |
| 210966 | 301447 | E32 | 2.0X5.0 | 2W | |
| 210967 | 301448 | E32 | 2.0X6.0 | 2W | |
| 210968 | 301449 | E32 | 3.0X3.0 | 2W | |
| 210969 | 301450 | E32 | 3.0X4.0 | 2W | |
| 210970 | 301451 | E32 | 3.0X5.0 | 2W | |
| 210971 | 301452 | E32 | 3.0X6.0 | 2W | |
| 210972 | 301453 | E32 | 5.0X3.0 | 2W | |
| 210973 | 301454 | E32 | 5.0X4.0 | 2W | |
| 210974 | 301455 | E32 | 5.0X5.0 | 2W | |
| 210975 | 301456 | E32 | 5.0X6.0 | 2W | |
| 210976 | 301457 | E32 | 2.0X3.0 | 3N | |
| 210977 | 301458 | E32 | 2.0X4.0 | 3N | |
| 210978 | 301459 | E32 | 2.0X5.0 | 3N | 2N (2列 巾狭) |
| 210979 | 301460 | E32 | 2.0X6.0 | 3N | (2-row Narrow) |
| 210980 | 301461 | E32 | 3.0X3.0 | 3N | |
| 210981 | 301462 | E32 | 3.0X4.0 | 3N | |
| 210982 | 301463 | E32 | 3.0X5.0 | 3N | 2W (2列 巾広) |
| 210983 | 301464 | E32 | 3.0X6.0 | 3N | (2-row Wide) |
| 210984 | 301465 | E32 | 5.0X3.0 | 3N | |
| 210985 | 301466 | E32 | 5.0X4.0 | 3N | 3N (3列 巾狭) |
| 210986 | 301467 | E32 | 5.0X5.0 | 3N | (3-row Narrow) |
| 210987 | 301468 | E32 | 5.0X6.0 | 3N | |
| 211371 | 301469 | E32 | 3.0X5.0 | 2W | |
| 211372 | 301470 | E32 | 3.0X6.0 | 2W | |
| 211379 | 301471 | E32 | 3.0X4.0 | 2N | |
| 211380 | 301472 | E32 | 3.0X5.0 | 2N | |
| 211381 | 301473 | E32 | 3.0X4.0 | 2W | |
| 211382 | 301474 | E32 | 3.0X5.0 | 2W | |
| 211383 | 301475 | E32 | 5.0X4.0 | 2W | |
| 211384 | 301476 | E32 | 5.0X5.0 | 2W | |
| 211569 | 301964 | E32 | 3.0X2.0X3.0 | 2N | |
| 211570 | 301965 | E32 | 3.0X2.0X4.0 | 2N | |
| 211574 | 301966 | E32 | 5.0X2.0X3.0 | 2W | |
| 211575 | 301967 | E32 | 5.0X2.0X4.0 | 2W | |
| 212117 | 301968 | E32 | 5.0X7.0 | 2W | |

| 標準針板 | 針板/TK | 機種 | ゲージ (mm) | 送り形式 | 備考 |
|------------------------|--------------------|--------|------------|-----------------|----------------|
| ORIGINAL NDL. PLATE | NEEDLE PLATE/TK | MODELS | GAUGE (mm) | FEED PATTERN | REMARKS |
| 210760 | 301949 | E52 | 3.0 | 2W | |
| 210782 | 301050 | E52 | 2.0 | 2N | |
| 210783 | 301051 | E52 | 3.0 | 2N | |
| 210784 | 301052 | E52 | 4.0 | 2N | |
| 210785 | 301053 | E52 | 5.0 | 2N | |
| 210786 | 301054 | E52 | 3.0 | 2W | |
| 210787 | 301055 | E52 | 4.0 | 2W | |
| 210788 | 301056 | E52 | 5.0 | 2W | |
| 210789 | 301057 | E52 | 6.0 | 2W | |
| 210790 | 301058 | E52 | 1.5X2.0 | 2W | 2N (2列 巾狭) |
| 210791 | 301059 | E52 | 1.5X3.0 | 2W | (2-row Narrow) |
| 210792 | 301060 | E52 | 2.0X2.0 | 2W | |
| 210793 | 301061 | E52 | 2.0X3.0 | 2W | |
| 210794 | 301062 | E52 | 2.0X4.0 | 2W | 2W (2列 巾広) |
| 210795 | 301063 | E52 | 3.0 | 3N | (2-row Wide) |
| 210795A | 301063A | E52 | 3.0 | 3N | |
| 210796 | 301064 | E52 | 4.0 | 3N | 3N (3列 巾狭) |
| 210796A | 301064A | E52 | 4.0 | 3N | (3-row Narrow) |
| 210797 | 301065 | E52 | 5.0 | 3N | |
| 210797A | 301065A | E52 | 5.0 | 3N | |
| 210798 | 301066 | E52 | 6.0 | 3N | |
| 210798A | 301066A | E52 | 6.0 | 3N | |
| 210799 | 301067 | E52 | 3.0 | 3N | |
| 210800 | 301068 | E52 | 4.0 | 3N | |
| 210801 | 301069 | E52 | 5.0 | 3N | |
| 210802 | 301070 | E52 | 6.0 | 3N | |
| 210803 | 301071 | E52 | 2.0X2.0 | 3N | |

図3 (Fig. 3)



● TK用針板は、標準針板から
⑤部をカットして下さい。

● Cut off area ⑤ from the
original needle plate for
machines with TK.

| 標準針板 | 針板/TK | 機種 | ゲージ (mm) | 送り形式 | 備考 |
|------------------------|--------------------|--------|------------|-----------------|----------------|
| ORIGINAL NDL. PLATE | NEEDLE PLATE/TK | MODELS | GAUGE (mm) | FEED PATTERN | REMARKS |
| 210804 | 301072 | E52 | 2.0X3.0 | 3N | |
| 210805 | 301073 | E52 | 2.0X4.0 | 3N | |
| 210806 | 301074 | E52 | 2.0X5.0 | 3N | |
| 210807 | 301075 | E52 | 2.0X2.0 | 3N | |
| 210808 | 301076 | E52 | 2.0X3.0 | 3N | |
| 210809 | 301077 | E52 | 2.0X4.0 | 3N | |
| 210810 | 301078 | E52 | 2.0X5.0 | 3N | |
| 210811 | 301079 | E52 | 5.0 | 3W | |
| 210812 | 301080 | E52 | 6.0 | 3W | |
| 210813 | 301081 | E52 | 7.0 | 3W | |
| 210814 | 301082 | E52 | 5.0 | 3W | |
| 210815 | 301083 | E52 | 6.0 | 3W | |
| 210816 | 301084 | E52 | 7.0 | 3W | |
| 210817 | 301085 | E52 | 2.0X3.0 | 3W | |
| 210818 | 301086 | E52 | 2.0X4.0 | 3W | |
| 210819 | 301087 | E52 | 2.0X5.0 | 3W | |
| 210820 | 301088 | E52 | 2.5X2.5 | 3W | |
| 210821 | 301089 | E52 | 2.5X3.5 | 3W | |
| 210822 | 301090 | E52 | 2.5X4.5 | 3W | 2-ROW (2列) |
| 210823 | 301091 | E52 | 3.0X3.0 | 3W | |
| 210824 | 301092 | E52 | 3.0X4.0 | 3W | 3-ROW (3列) |
| 210825 | 301093 | E52 | 2.0X3.0 | 3W | |
| 210826 | 301094 | E52 | 2.0X4.0 | 3W | 2N (2列 巾狭) |
| 210827 | 301095 | E52 | 2.0X5.0 | 3W | (2-row Narrow) |
| 210828 | 301096 | E52 | 2.5X2.5 | 3W | |
| 210829 | 301097 | E52 | 2.5X3.5 | 3W | 2W (2列 巾広) |
| 210830 | 301098 | E52 | 2.5X4.5 | 3W | (2-row Wide) |
| 210831 | 301099 | E52 | 3.0X3.0 | 3W | |
| 210832 | 301100 | E52 | 3.0X4.0 | 3W | |
| 210905 | 301477 | E52 | 2.0X2.0 | 2N | 3N (3列 巾狭) |
| 210906 | 301478 | E52 | 2.0X3.0 | 2N | (3-row Narrow) |
| 210907 | 301479 | E52 | 2.0X4.0 | 2N | |
| 210934 | 301480 | E52 | 1.0 | 2N | 3W (3列 巾広) |
| 211257 | 301481 | E52 | 3.0 | 3N | (3-row Wide) |
| 211258 | 301482 | E52 | 4.0 | 3N | |
| 211259 | 301483 | E52 | 5.0 | 3N | 4N (4列 巾狭) |
| 211260 | 301484 | E52 | 6.0 | 3N | (4-row Narrow) |
| 211294 | 301485 | E52 | 6.0 | 2N | |
| 211295 | 301486 | E52 | 7.0 | 2W | |
| 211296 | 301487 | E52 | 2.0X5.0 | 2W | |
| 211297 | 301488 | E52 | 7.0 | 3N | |
| 211298 | 301489 | E52 | 7.0 | 3N | |
| 211424 | 301961 | E52 | 5.0 | 2W | |
| 211820 | 301962 | E52 | 5.0 | 2-ROW | |
| 211821 | 301963 | E52 | 6.0 | 2-ROW | |
| 211831 | 301600 | E52 | 8.0 | 3-ROW | |
| 212730-30 | 212730A30 | E52 | 2.0X3.0 | 4N | |
| 212730-40 | 212730A40 | E52 | 2.0X4.0 | 4N | |
| 212730-50 | 212730A50 | E52 | 2.0X5.0 | 4N | |
| 212731-25 | 212731A25 | E52 | 2.5X2.5 | 4N | |
| 212731-35 | 212731A35 | E52 | 2.5X3.5 | 4N | |
| 212731-45 | 212731A45 | E52 | 2.5X4.5 | 4N | |
| 212774-40 | 212774A40 | E52 | 3.0X4.0 | 4N | |
| 212774-50 | 212774A50 | E52 | 3.0X5.0 | 4N | |
| 301377 | 301960 | E52 | 1.5 | 2N | |

| 標準針板 | 針板/TK | 機種 | ゲージ (mm) | 送り形式 | 備考 |
|------------------------|--------------------|--------|------------|-----------------|----------------|
| ORIGINAL NDL. PLATE | NEEDLE PLATE/TK | MODELS | GAUGE (mm) | FEED PATTERN | REMARKS |
| 210760 | 301949 | E52 | 3.0 | 2W | |
| 210782 | 301050 | E52 | 2.0 | 2N | |
| 210783 | 301051 | E52 | 3.0 | 2N | |
| 210784 | 301052 | E52 | 4.0 | 2N | |
| 210785 | 301053 | E52 | 5.0 | 2N | |
| 210786 | 301054 | E52 | 3.0 | 2W | |
| 210787 | 301055 | E52 | 4.0 | 2W | |
| 210788 | 301056 | E52 | 5.0 | 2W | |
| 210789 | 301057 | E52 | 6.0 | 2W | |
| 210790 | 301058 | E52 | 1.5X2.0 | 2W | |
| 210791 | 301059 | E52 | 1.5X3.0 | 2W | |
| 210792 | 301060 | E52 | 2.0X2.0 | 2W | |
| 210793 | 301061 | E52 | 2.0X3.0 | 2W | |
| 210794 | 301062 | E52 | 2.0X4.0 | 2W | |
| 210795 | 301063 | E52 | 3.0 | 3N | |
| 210795A | 301063A | E52 | 3.0 | 3N | |
| 210796 | 301064 | E52 | 4.0 | 3N | |
| 210796A | 301064A | E52 | 4.0 | 3N | |
| 210797 | 301065 | E52 | 5.0 | 3N | |
| 210797A | 301065A | E52 | 5.0 | 3N | |
| 210798 | 301066 | E52 | 6.0 | 3N | |
| 210798A | 301066A | E52 | 6.0 | 3N | |
| 210799 | 301067 | E52 | 3.0 | 3N | 2N (2列 巾狭) |
| 210800 | 301068 | E52 | 4.0 | 3N | (2-row Narrow) |
| 210801 | 301069 | E52 | 5.0 | 3N | |
| 210802 | 301070 | E52 | 6.0 | 3N | |
| 210803 | 301071 | E52 | 2.0X2.0 | 3N | 2W (2列 巾広) |
| 210804 | 301072 | E52 | 2.0X3.0 | 3N | (2-row Wide) |
| 210805 | 301073 | E52 | 2.0X4.0 | 3N | |
| 210806 | 301074 | E52 | 2.0X5.0 | 3N | 3N (3列 巾狭) |
| 210807 | 301075 | E52 | 2.0X2.0 | 3N | (3-row Narrow) |
| 210808 | 301076 | E52 | 2.0X3.0 | 3N | |
| 210809 | 301077 | E52 | 2.0X4.0 | 3N | 3W (3列 巾広) |
| 210810 | 301078 | E52 | 2.0X5.0 | 3N | (3-row Wide) |
| 210811 | 301079 | E52 | 5.0 | 3W | |
| 210812 | 301080 | E52 | 6.0 | 3W | |
| 210813 | 301081 | E52 | 7.0 | 3W | |
| 210814 | 301082 | E52 | 5.0 | 3W | |
| 210815 | 301083 | E52 | 6.0 | 3W | |
| 210816 | 301084 | E52 | 7.0 | 3W | |
| 210817 | 301085 | E52 | 2.0X3.0 | 3W | |
| 210818 | 301086 | E52 | 2.0X4.0 | 3W | |
| 210819 | 301087 | E52 | 2.0X5.0 | 3W | |
| 210820 | 301088 | E52 | 2.5X2.5 | 3W | |
| 210821 | 301089 | E52 | 2.5X3.5 | 3W | |
| 210822 | 301090 | E52 | 2.5X4.5 | 3W | |
| 210823 | 301091 | E52 | 3.0X3.0 | 3W | |
| 210824 | 301092 | E52 | 3.0X4.0 | 3W | |
| 210825 | 301093 | E52 | 2.0X3.0 | 3W | |
| 210826 | 301094 | E52 | 2.0X4.0 | 3W | |
| 210827 | 301095 | E52 | 2.0X5.0 | 3W | |
| 210828 | 301096 | E52 | 2.5X2.5 | 3W | |
| 210829 | 301097 | E52 | 2.5X3.5 | 3W | |
| 210830 | 301098 | E52 | 2.5X4.5 | 3W | |
| 210831 | 301099 | E52 | 3.0X3.0 | 3W | |
| 210832 | 301100 | E52 | 3.0X4.0 | 3W | |

| 標準針板 | 針板/TK | 機種 | ゲージ (mm) | 送り形式 | 備考 |
|------------------------|--------------------|--------|------------|-----------------|----------------|
| ORIGINAL NDL. PLATE | NEEDLE PLATE/TK | MODELS | GAUGE (mm) | FEED PATTERN | REMARKS |
| 210833 | 301195 | E32 | 2.0X3.0 | 2N | |
| 210834 | 301196 | E32 | 2.0X4.0 | 2N | |
| 210835 | 301197 | E32 | 2.0X5.0 | 2N | |
| 210836 | 301198 | E32 | 2.0X6.0 | 2N | |
| 210837 | 301199 | E32 | 3.0X3.0 | 2N | |
| 210838 | 301200 | E32 | 3.0X4.0 | 2N | |
| 210839 | 301201 | E32 | 3.0X5.0 | 2N | |
| 210840 | 301202 | E32 | 3.0X6.0 | 2N | |
| 210841 | 301203 | E32 | 2.0X3.0 | 2W | |
| 210842 | 301204 | E32 | 2.0X4.0 | 2W | |
| 210843 | 301205 | E32 | 2.0X5.0 | 2W | |
| 210844 | 301206 | E32 | 2.0X6.0 | 2W | |
| 210845 | 301207 | E32 | 3.0X3.0 | 2W | |
| 210846 | 301208 | E32 | 3.0X4.0 | 2W | |
| 210847 | 301209 | E32 | 3.0X5.0 | 2W | |
| 210848 | 301210 | E32 | 3.0X6.0 | 2W | |
| 210849 | 301211 | E32 | 5.0X3.0 | 2W | |
| 210850 | 301212 | E32 | 5.0X4.0 | 2W | |
| 210851 | 301213 | E32 | 5.0X5.0 | 2W | |
| 210852 | 301214 | E32 | 5.0X6.0 | 2W | |
| 210853 | 301215 | E32 | 5.0X5.0 | 2W | |
| 210854 | 301216 | E32 | 5.0X6.0 | 2W | |
| 210855 | 301217 | E32 | 2.0X3.0 | 3N | |
| 210856 | 301218 | E32 | 2.0X4.0 | 3N | 2N (2列 巾狭) |
| 210857 | 301219 | E32 | 2.0X5.0 | 3N | (2-row Narrow) |
| 210858 | 301220 | E32 | 2.0X6.0 | 3N | |
| 210859 | 301221 | E32 | 3.0X3.0 | 3N | 2W (2列 巾広) |
| 210860 | 301222 | E32 | 3.0X4.0 | 3N | (2-row Wide) |
| 210861 | 301223 | E32 | 3.0X5.0 | 3N | |
| 210862 | 301224 | E32 | 3.0X6.0 | 3N | 3N (3列 巾狭) |
| 210863 | 301225 | E32 | 5.0X3.0 | 3N | (3-row Narrow) |
| 210864 | 301226 | E32 | 5.0X4.0 | 3N | |
| 210865 | 301227 | E32 | 5.0X5.0 | 3N | |
| 210866 | 301228 | E32 | 5.0X6.0 | 3N | |
| 210867 | 301229 | E32 | 5.0X5.0 | 3N | |
| 210868 | 301230 | E32 | 5.0X6.0 | 3N | |
| 210905 | 301477 | E52 | 2.0X2.0 | 2N | |
| 210906 | 301478 | E52 | 2.0X3.0 | 2N | |
| 210907 | 301479 | E52 | 2.0X4.0 | 2N | |
| 210934 | 301480 | E52 | 1.0 | 2N | |
| 210964 | 301445 | E32 | 2.0X3.0 | 2W | |
| 210965 | 301446 | E32 | 2.0X4.0 | 2W | |
| 210966 | 301447 | E32 | 2.0X5.0 | 2W | |
| 210967 | 301448 | E32 | 2.0X6.0 | 2W | |
| 210968 | 301449 | E32 | 3.0X3.0 | 2W | |
| 210969 | 301450 | E32 | 3.0X4.0 | 2W | |
| 210970 | 301451 | E32 | 3.0X5.0 | 2W | |
| 210971 | 301452 | E32 | 3.0X6.0 | 2W | |
| 210972 | 301453 | E32 | 5.0X3.0 | 2W | |
| 210973 | 301454 | E32 | 5.0X4.0 | 2W | |
| 210974 | 301455 | E32 | 5.0X5.0 | 2W | |
| 210975 | 301456 | E32 | 5.0X6.0 | 2W | |
| 210976 | 301457 | E32 | 2.0X3.0 | 3N | |
| 210977 | 301458 | E32 | 2.0X4.0 | 3N | |
| 210978 | 301459 | E32 | 2.0X5.0 | 3N | |
| 210979 | 301460 | E32 | 2.0X6.0 | 3N | |

| 標準針板 | 針板/TK | 機種 | ゲージ (mm) | 送り形式 | 備考 |
|------------------------|--------------------|--------|------------|-----------------|----------------|
| ORIGINAL NDL. PLATE | NEEDLE PLATE/TK | MODELS | GAUGE (mm) | FEED PATTERN | REMARKS |
| 210833 | 301195 | E32 | 2.0X3.0 | 2N | |
| 210834 | 301196 | E32 | 2.0X4.0 | 2N | |
| 210835 | 301197 | E32 | 2.0X5.0 | 2N | |
| 210836 | 301198 | E32 | 2.0X6.0 | 2N | |
| 210837 | 301199 | E32 | 3.0X3.0 | 2N | |
| 210838 | 301200 | E32 | 3.0X4.0 | 2N | |
| 210839 | 301201 | E32 | 3.0X5.0 | 2N | |
| 210840 | 301202 | E32 | 3.0X6.0 | 2N | |
| 210841 | 301203 | E32 | 2.0X3.0 | 2W | |
| 210842 | 301204 | E32 | 2.0X4.0 | 2W | |
| 210843 | 301205 | E32 | 2.0X5.0 | 2W | |
| 210844 | 301206 | E32 | 2.0X6.0 | 2W | |
| 210845 | 301207 | E32 | 3.0X3.0 | 2W | |
| 210846 | 301208 | E32 | 3.0X4.0 | 2W | |
| 210847 | 301209 | E32 | 3.0X5.0 | 2W | |
| 210848 | 301210 | E32 | 3.0X6.0 | 2W | |
| 210849 | 301211 | E32 | 5.0X3.0 | 2W | |
| 210850 | 301212 | E32 | 5.0X4.0 | 2W | |
| 210851 | 301213 | E32 | 5.0X5.0 | 2W | |
| 210852 | 301214 | E32 | 5.0X6.0 | 2W | |
| 210853 | 301215 | E32 | 5.0X5.0 | 2W | |
| 210854 | 301216 | E32 | 5.0X6.0 | 2W | |
| 210855 | 301217 | E32 | 2.0X3.0 | 3N | |
| 210856 | 301218 | E32 | 2.0X4.0 | 3N | 2N (2列 巾狭) |
| 210857 | 301219 | E32 | 2.0X5.0 | 3N | (2-row Narrow) |
| 210858 | 301220 | E32 | 2.0X6.0 | 3N | |
| 210859 | 301221 | E32 | 3.0X3.0 | 3N | 2W (2列 巾広) |
| 210860 | 301222 | E32 | 3.0X4.0 | 3N | (2-row Wide) |
| 210861 | 301223 | E32 | 3.0X5.0 | 3N | |
| 210862 | 301224 | E32 | 3.0X6.0 | 3N | 3N (3列 巾狭) |
| 210863 | 301225 | E32 | 5.0X3.0 | 3N | (3-row Narrow) |
| 210864 | 301226 | E32 | 5.0X4.0 | 3N | |
| 210865 | 301227 | E32 | 5.0X5.0 | 3N | |
| 210866 | 301228 | E32 | 5.0X6.0 | 3N | |
| 210867 | 301229 | E32 | 5.0X5.0 | 3N | |
| 210868 | 301230 | E32 | 5.0X6.0 | 3N | |
| 210905 | 301477 | E52 | 2.0X2.0 | 2N | |
| 210906 | 301478 | E52 | 2.0X3.0 | 2N | |
| 210907 | 301479 | E52 | 2.0X4.0 | 2N | |
| 210934 | 301480 | E52 | 1.0 | 2N | |
| 210964 | 301445 | E32 | 2.0X3.0 | 2W | |
| 210965 | 301446 | E32 | 2.0X4.0 | 2W | |
| 210966 | 301447 | E32 | 2.0X5.0 | 2W | |
| 210967 | 301448 | E32 | 2.0X6.0 | 2W | |
| 210968 | 301449 | E32 | 3.0X3.0 | 2W | |
| 210969 | 301450 | E32 | 3.0X4.0 | 2W | |
| 210970 | 301451 | E32 | 3.0X5.0 | 2W | |
| 210971 | 301452 | E32 | 3.0X6.0 | 2W | |
| 210972 | 301453 | E32 | 5.0X3.0 | 2W | |
| 210973 | 301454 | E32 | 5.0X4.0 | 2W | |
| 210974 | 301455 | E32 | 5.0X5.0 | 2W | |
| 210975 | 301456 | E32 | 5.0X6.0 | 2W | |
| 210976 | 301457 | E32 | 2.0X3.0 | 3N | |
| 210977 | 301458 | E32 | 2.0X4.0 | 3N | |
| 210978 | 301459 | E32 | 2.0X5.0 | 3N | |
| 210979 | 301460 | E32 | 2.0X6.0 | 3N | |

| 標準針板 | 針板/TK | 機種 | ゲージ (mm) | 送り形式 | 備考 |
|------------------------|--------------------|--------|------------|-----------------|----------------|
| ORIGINAL NDL. PLATE | NEEDLE PLATE/TK | MODELS | GAUGE (mm) | FEED PATTERN | REMARKS |
| 210980 | 301461 | E32 | 3.0X3.0 | 3N | |
| 210981 | 301462 | E32 | 3.0X4.0 | 3N | |
| 210982 | 301463 | E32 | 3.0X5.0 | 3N | |
| 210983 | 301464 | E32 | 3.0X6.0 | 3N | |
| 210984 | 301465 | E32 | 5.0X3.0 | 3N | |
| 210985 | 301466 | E32 | 5.0X4.0 | 3N | |
| 210986 | 301467 | E32 | 5.0X5.0 | 3N | |
| 210987 | 301468 | E32 | 5.0X6.0 | 3N | |
| 211135 | 301293 | E32L | 5.0X5.0 | 2W | |
| 211136 | 301294 | E32L | 5.0X6.0 | 2W | |
| 211257 | 301481 | E52 | 3.0 | 3N | |
| 211258 | 301482 | E52 | 4.0 | 3N | |
| 211259 | 301483 | E52 | 5.0 | 3N | |
| 211260 | 301484 | E52 | 6.0 | 3N | |
| 211276 | 301934 | E | 2.0 | 1-ROW | |
| 211277 | 301935 | E | 3.0 | 1-ROW | |
| 211278 | 301936 | E | 4.0 | 1-ROW | |
| 211279 | 301931 | E | 2.0 | 1-ROW | |
| 211280 | 301932 | E | 3.0 | 1-ROW | |
| 211281 | 301933 | E | 4.0 | 1-ROW | |
| 211282 | 301950 | E | 1.5 | 1-ROW | |
| 211294 | 301485 | E52 | 6.0 | 2N | |
| 211295 | 301486 | E52 | 7.0 | 2W | |
| 211296 | 301487 | E52 | 2.0X5.0 | 2W | 1-ROW (1列) |
| 211297 | 301488 | E52 | 7.0 | 3N | |
| 211298 | 301489 | E52 | 7.0 | 3N | 2N (2列 巾狭) |
| 211299 | 301490 | E | 7.0 | 3N | (2-row Narrow) |
| 211371 | 301469 | E32 | 3.0X5.0 | 2W | |
| 211372 | 301470 | E32 | 3.0X6.0 | 2W | 2W (2列 巾広) |
| 211379 | 301471 | E32 | 3.0X4.0 | 2N | (2-row Wide) |
| 211380 | 301472 | E32 | 3.0X5.0 | 2N | |
| 211381 | 301473 | E32 | 3.0X4.0 | 2W | |
| 211382 | 301474 | E32 | 3.0X5.0 | 2W | 3N (3列 巾狭) |
| 211383 | 301475 | E32 | 5.0X4.0 | 2W | (3-row Narrow) |
| 211384 | 301476 | E32 | 5.0X5.0 | 2W | |
| 211424 | 301961 | E52 | 5.0 | 2W | |
| 211460 | 301945 | E | 2.5 | | |
| 211461 | 301946 | E | 3.5 | | |
| 211463 | 301417 | E32L | 3.0X3.0 | 2W | |
| 211464 | 301418 | E32L | 3.0X4.0 | 2W | |
| 211465 | 301419 | E32L | 3.0X5.0 | 2W | |
| 211466 | 301420 | E32L | 3.0X6.0 | 2W | |
| 211467 | 301421 | E32L | 5.0X3.0 | 2W | |
| 211468 | 301422 | E32L | 5.0X4.0 | 2W | |
| 211469 | 301423 | E32L | 5.0X5.0 | 2W | |
| 211470 | 301424 | E32L | 5.0X6.0 | 2W | |
| 211504 | 301429 | E32L | 3.0X5.0 | 2W | |
| 211505 | 301430 | E32L | 3.0X6.0 | 2W | |
| 211546 | 301957 | E | 0.8X1.5 | 1-ROW | |
| 211547 | 301958 | E | 1.2X2.0 | 1-ROW | |
| 211548 | 301959 | E | 1.2X3.6 | 1-ROW | |
| 211549 | 301951 | E | 1.6 | 1-ROW | |
| 211550 | 301952 | E | 2.4 | 1-ROW | |
| 211551 | 301953 | E | 0.8X1.5 | 1-ROW | |
| 211552 | 301954 | E | 0.8X2.4 | 1-ROW | |
| 211553 | 301955 | E | 0.8X3.2 | 1-ROW | |
| 211554 | 301956 | E | 1.2X2.0 | 1-ROW | |

| 標準針板 | 針板/TK | 機種 | ゲージ (mm) | 送り形式 | 備考 |
|------------------------|--------------------|--------|-------------|-----------------|----------------|
| ORIGINAL NDL. PLATE | NEEDLE PLATE/TK | MODELS | GAUGE (mm) | FEED PATTERN | REMARKS |
| 211569 | 301964 | E32 | 3.0X2.0X3.0 | 2N | |
| 211570 | 301965 | E32 | 3.0X2.0X4.0 | 2N | |
| 211574 | 301966 | E32 | 5.0X2.0X3.0 | 2W | |
| 211575 | 301967 | E32 | 5.0X2.0X4.0 | 2W | |
| 211601 | 304036 | E | 4.0 | 1-ROW | |
| 211724 | 301580 | E52L | 3.0 | 3N | |
| 211725 | 301581 | E52L | 4.0 | 3N | |
| 211726 | 301582 | E52L | 5.0 | 3N | |
| 211727 | 301583 | E52L | 6.0 | 3N | |
| 211766 | 301947 | E | 5.0 | 1-ROW | |
| 211767 | 301948 | E | 6.0 | 1-ROW | |
| 211820 | 301962 | E52 | 5.0 | 2-ROW | |
| 211821 | 301963 | E52 | 6.0 | 2-ROW | |
| 211831 | 301600 | E52 | 8.0 | 3-ROW | |
| 212117 | 301968 | E32 | 5.0X7.0 | 2W | |
| 212120 | 301766 | ETS32 | 3.0X5.0 | 2W | |
| 212121 | 301767 | ETS32 | 3.0X6.0 | 2W | |
| 212123 | 301768 | ETS32 | 5.0X5.0 | 2W | |
| 212124 | 301769 | ETS32 | 5.0X6.0 | 2W | |
| 212125 | 301770 | ETS32 | 5.0X7.0 | 2W | 1-ROW (1列) |
| 212128 | 301771 | ETS32 | 5.0X5.0 | 3N | |
| 212129 | 301772 | ETS32 | 5.0X6.0 | 3N | 2-ROW (2列) |
| 212130 | 301773 | ETS32 | 5.0X7.0 | 3N | |
| 212155 | 301774 | ETS32 | 3.0X3.0 | 2W | 3-ROW (3列) |
| 212156 | 301775 | ETS32 | 3.0X4.0 | 2W | |
| 212157 | 301776 | ETS32 | 3.0X5.0 | 2W | |
| 212158 | 301777 | ETS32 | 3.0X6.0 | 2W | 2N (2列 巾狭) |
| 212161 | 301778 | ETS32 | 5.0X3.0 | 2W | (2-row Narrow) |
| 212162 | 301779 | ETS32 | 5.0X4.0 | 2W | |
| 212163 | 301780 | ETS32 | 5.0X5.0 | 2W | 2W (2列 巾広) |
| 212164 | 301781 | ETS32 | 5.0X6.0 | 2W | (2-row Wide) |
| 212167 | 301782 | ETS32 | 3.0X3.0 | 3N | |
| 212168 | 301783 | ETS32 | 3.0X4.0 | 3N | 3N (3列 巾狭) |
| 212169 | 301784 | ETS32 | 3.0X5.0 | 3N | (3-row Narrow) |
| 212170 | 301785 | ETS32 | 3.0X6.0 | 3N | |
| 212173 | 301786 | ETS32 | 5.0X3.0 | 3N | 4N (4列 巾狭) |
| 212174 | 301787 | ETS32 | 5.0X4.0 | 3N | (4-row Narrow) |
| 212175 | 301788 | ETS32 | 5.0X5.0 | 3N | |
| 212176 | 301789 | ETS32 | 5.0X6.0 | 3N | |
| 212190 | 301969 | ETS32 | 5.0X7.0 | 3N | |
| 212241 | 301937 | E | 3.0 | 2W | |
| 212242 | 301938 | E | 4.0 | 2W | |
| 212243 | 301939 | E | 5.0 | 2W | |
| 212244 | 301940 | E | 6.0 | 2W | |
| 212245 | 301941 | E | 3.0 | 2W | |
| 212246 | 301942 | E | 4.0 | 2W | |
| 212247 | 301943 | E | 5.0 | 2W | |
| 212248 | 301944 | E | 6.0 | 2W | |
| 212730-30 | 212730A30 | E52 | 2.0X3.0 | 4N | |
| 212730-40 | 212730A40 | E52 | 2.0X4.0 | 4N | |
| 212730-50 | 212730A50 | E52 | 2.0X5.0 | 4N | |
| 212731-25 | 212731A25 | E52 | 2.5X2.5 | 4N | |
| 212731-35 | 212731A35 | E52 | 2.5X3.5 | 4N | |
| 212731-45 | 212731A45 | E52 | 2.5X4.5 | 4N | |
| 212774-40 | 212774A40 | E52 | 3.0X4.0 | 4N | |
| 212774-50 | 212774A50 | E52 | 3.0X5.0 | 4N | |
| 301377 | 301960 | E52 | 1.5 | 2N | |

**■ PEGASUS
SEWING MACHINE MFG.
CO., LTD.[®]**

