

SINGER
410W101

Form 2926w

(447)

Printed in U. S. A.

LIST OF PARTS



MACHINE No. 410w101

THE SINGER MANUFACTURING COMPANY

INDEX

	Page
Accessories	12
Knee Lifter	12
Machine No.410w101	5
Numerical List of Parts	13

Copyright, U. S. A., 1941 and 1947
by The Singer Manufacturing Co.
All Rights Reserved for all Countries

INSTRUCTIONS FOR ORDERING

LIST OF PARTS COMPLETE

FOR

In ordering from this list, use ONLY the PART number in the FIRST column.

The number stamped on a Sewing Machine Part is the number of the Single Part only, except when the part includes Set Screws, Clamping Screws, Studs and Rollers Spun on, Small Wires riveted, or Parts soldered together, etc., which it is necessary to furnish in combination.

Every combination of parts sent out has its specific number which, although not stamped on Parts (except in above case), must be used when ordering the combination.

Each number always indicates the SAME PART in whatever list it appears, or for whatever Machine.

The letters after some of the numbers indicate the style of finish only, as follows:

- A. Hardened, Polished, Nickel Plated and Buffed.
- B. Polished, Nickel Plated and Buffed.
- C. Hardened only.
- D. Polished only.
- E. Soft, not polished.
- F. Hardened and Polished.
- H. Blued.
- J. Nickel Plated only.
- R. Merlized.
- X. Black Oxide.
- XC. Hardened and Black Oxide.
- Y. Black Nickel only.

These letters MUST BE USED when they appear in the list and AFTER the number, as in the list.

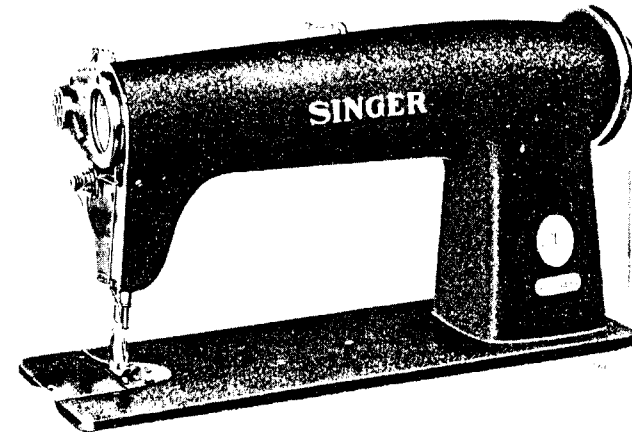
In this series:

200001 to 201500 and 350001 to 351500 are Screw Numbers.
 201501 to 201800 and 351501 to 351800 are Nut Numbers.
 201801 to 202000 and 351801 to 352000 are Roller Numbers.
 202001 to 350000 are Numbers of Machine Parts.

The figures in the second column refer only to the plate in which the illustration of the part is shown and are NOT TO BE USED in ordering.

Two or more numbers over a cut indicate that the difference between such parts is not visible in an illustration.

Parts marked with an asterisk (*) are furnished when repairs are made at the factory.



MACHINE No. 410w101

DOUBLE ROTARY DISC TAKE-UP

HIGH SPEED, LONG ARM, DROP FEED

SINGLE NEEDLE. SINGLE THREAD CHAIN STITCH

MAXIMUM STITCH 2 TO THE INCH

For Edge Basting On Heavy Overcoats and Similar Work

No.	Plate	Name
*270251	-----	Arm
270002	18292	" Cover Plate (back)
200041X	18292	" " " Screw (2)
204235	18292	" Position Pin (2)
200004E	18292	" Screw (3)
202005	18292	" " Washer (3)
*270252	18293	" Shaft
270287	18293	Arm Shaft 270252 with 200333C, 200362C, 270005 and 270268
270004	18293	Arm Shaft Ball Bearing (back)
270005	18293	" " " " (front)
270167	18293	" " Connection Belt

PARTS FOR MACHINE No. 410w101

No.	Plate	Name
270168	18293	Arm Shaft Connection Belt Pulley and Rotary Take-up Driving Pulley with 200363C, 350492C and three 214206
350492C	18293	Arm Shaft Connection Belt Pulley Position Screw
200363C	18293	Arm Shaft Connection Belt Pulley Set Screw
214206	18293	Arm Shaft Connection Belt Pulley Spring Flange
270104	18293	Balance Wheel (belt groove 1-13/16 in. diam.) with two 200354AL
Note: Balance Wheel 270171 is furnished with this machine unless otherwise specified on order.		
270105	18293	Balance Wheel 270104 with 270004, 270123 and two 350503H
270170	18293	Balance Wheel "V" belt groove (outside diam. of belt groove 2.9 in.) with 201346AL and 350107AL
270171	18293	Balance Wheel 270170 with 270004
270123	18293	" " Cap
350503H	18293	" " " Screw
350107AL	18293	" " Position Screw
200354AL	18293	" " Set Screw
201346AL	18293	" " " "
*271051	-----	Bed
20936	18292	" Slide
20937	18292	" " 20936 with 5947 and two 725J
5947	18292	" " Spring
725J	18292	" " " Screw
270308	18294	Face Plate
350503H	18294	" " Screw (4)
271052	18295	Feed Bar
270012	18295	" " Center (2)
200394C	18295	" " " Set Screw
15170	18295	" " Slide Block
226J	18295	" " " " Cap Screw
12424	18295	" " " " " Washer
51372C	18295	" " " " " Screw Stud
1519J	18295	" " " " " " Nut
20978	18295	Feed Bar Slide Block complete, Nos. 226J, 12424, 15170 and 51372C
20993	18296	Feed Dog
211E	18296	" " Screw (2)
271053	18295	" Driving Connection
271054	18295	" " " 271053 with 271055
270015	18295	Feed Driving Connection Crank with 200040E
200040E	18295	Feed Driving Connection Crank Pinch Screw
200545C	18295	Feed Driving Connection Hinge Screw
201522E	18295	" " " " " Nut
271055	18295	" " " Needle Bearing
271056	18297	" " Eccentric

PARTS FOR MACHINE No. 410w101

No.	Plate	Name
271057	18297	Feed Driving Eccentric Adjusting Disc
270137	18297	Feed Driving Eccentric Adjusting Disc Spring
271002	18297	Feed Driving Eccentric Adjusting Disc Spring Collar with 201220C
201220C	18297	Feed Driving Eccentric Adjusting Disc Spring Collar Position Screw
200369C	18297	Feed Driving Eccentric Friction Adjusting Screw
350101C	18297	Feed Driving Eccentric Friction Adjusting Screw Set Screw
201222C	18297	Feed Driving Eccentric Position Screw
271058	18297	Feed Driving Flange with 200333C, 200346C, two each 200369C and 350101C
200333C	18297	Feed Driving Flange Position Screw
200346C	18297	" " " Set Screw
270021	18295	" " Rock Shaft with two 200394C
270022	18295	" " " " Center (2)
350277C	18295	" " " " " Set Screw (2)
270013	18295	Feed Lifting Connection
270014	18295	" " " 270013 with 270016
270015	18295	Feed Lifting Connection Crank with 200040E
200040E	18295	Feed Lifting Connection Crank Pinch Screw
200545C	18295	Feed Lifting Connection Hinge Screw
201522E	18295	" " " " " " Nut
270016	18295	Feed Lifting Connection Needle Bearing
271060	18297	" " Eccentric with 200382C and 201220C
201220C	18297	Feed Lifting Eccentric Position Screw
200382C	18297	" " " Set Screw
271061	18295	" " Rock Shaft with 1519J and 20978
270022	18295	Feed Lifting Rock Shaft Center (2)
350277C	18295	" " " " " " Set Screw (2)
270140	18297	Feed Regulating Stud
270026	18297	" " " Spring
240245	18297	" " " Retaining Spring
270256	18298	Knee Lifter Lifting Link
270285	18292	" " " " " Connection
200363C	18292	" " " " " " Set Screw

No.	Plate	Name
200293C	18298	Knee Lifter Lifting Link Hinge Screw
270094	18292	" " " Rod
270048	18292	" " " " Connection
200434C	18292	" " " " " Set Screw
270257	18292	" " Rock Shaft with 200363C and 200434C
271003	18297	Looper
270276	18297	" Driving Shaft
270032	18297	" " " Ball Bearing
271062	18297	" " " Bushing with 222598
222598	18297	" " " " Oil Packing (wick)
200362C	18297	Looper Driving Shaft Bushing Set Screw
270169	18297	" " " Connection Belt Pulley with 214206 and two 200070C
200070C	18297	Looper Driving Shaft Connection Belt Pulley Set Screw
214206	18297	Looper Driving Shaft Connection Belt Pulley Spring Flange
271004	18297	Looper Driving Shaft Gear with 200382C, 201220C and 271006
201220C	18297	Looper Driving Shaft Gear Position Screw
200382C	18297	Looper Driving Shaft Gear Set Screw
271005	18297	" " " Oil Lead Wire
270038	18292	" " " " Reservoir Cover
270039	18292	Looper Driving Shaft Oil Reservoir Cover Gasket
200041X	18292	Looper Driving Shaft Oil Reservoir Cover Screw (6)
270155	18297	Looper Driving Shaft Oil Reservoir Oil Gauge
*271006	-----	Looper Driving Shaft Oil Slinger
271007	18297	" Idler Shaft
271008	18297	" " " Collar with two 50150AL
50150AL	18297	Looper Idler Shaft Collar Set Screw
271009	18297	" " " Needle Bearing
200F	18297	" Set Screw
271010	18297	" Shaft
271044	18297	" " Bushing
271045	18297	" " " 271044 with 271007, 271008,271010,271013,271046,two each 271009 and 270653
200917C	18297	Looper Shaft Bushing Position Screw
271013	18297	" " Collar with 200F and 462AL
462AL	18297	" " " Set Screw
271046	18297	" " Friction Plate
270653	18297	" " Needle Bearing
271066	18298	Needle Bar
271063	18298	" " 271066 with 51229D,127245 and 127246

No.	Plate	Name
270260	18298	Needle Bar Bushing (lower)
270261	18298	" " " (upper)
350489AL	18298	" " " " Set Screw
270262	18298	" " Connecting Link
270263	18298	" " " " 270262 with 270266
270264	18298	Needle Bar Connecting Link Guide Block
200054E	18298	" " " " " "
		Screw (2)
270286	18298	Needle Bar Connecting Link Hinge Stud with 210983
200374C	18293	Needle Bar Connecting Link Hinge Stud Set Screw
270266	18298	Needle Bar Connecting Link Needle Bearing
270267	18298	Needle Bar Connecting Link Thrust Washer
270057	18298	Needle Bar Connecting Stud with 200086C and 202330
202330	18298	Needle Bar Connecting Stud Oil Packing (wick)
200086C	18298	Needle Bar Connecting Stud Pinch Screw
*270268	18293	" " Crank with two 200374C
200333C	18293	" " " Position Screw
200362C	18293	" " " " " Check Screw
270058	18298	Needle Bar Oiling Felt
127245	18298	" " Thread Guard
51229D	18298	" " " " Screw
127246	18298	" Clamp with 140119F
140119F	18298	" " Screw
271065	18298	Presser Bar with 176J
270114	18298	" " Bushing
270282	18298	" " Lifter
350442C	18298	" " " Hinge Screw
270062	18298	" " Lifting Releasing Lever Bracket
270095	18298	Presser Bar Lifting Releasing Lever Bracket Spring
270063	18298	Presser Bar Position Guide with 200196E and 350411C
350411C	18298	Presser Bar Position Guide Pinch Screw
270271	18292	" " Spring
350435C	18292	" " " Screw (pressure regulating)
350499XC	18292	Presser Bar Spring Screw Stud
7309	18296	" Foot Cap
220J	18296	" " " Screw
7310	18296	" " Hinge Connection
7311	18296	" " " " Pin
106D	18296	" " " " Hinge Screw
62527	18296	" " " Pin
*20921	18296	" " Plate (left)

PARTS FOR MACHINE No. 410w101

No.	Plate	Name
20964	18296	Presser Foot Plate (right)
176J	18298	" " Screw
20923	18296	" " Shank with 7311
20924	18296	" " Bracket
20965	18296	Presser Foot (hinged compensating) complete, Nos. 106D, 220J, 7309, 7310, 20921, 20924, 20964, two each 20923 and 62527
271025	18294	Rotary Take-up (large)
210983	18298	" " " Position Pin
401D	18294	" " " Screw (2)
271032	18294	" " " Thread Guide
270146	18327	" " (small) with 270147 and 350418C
270273	18327	Rotary Take-up (small) Driving Shaft
270032	18327	" " " " "
		Ball Bearing (2)
270069	18327	Rotary Take-up (small) Driving Shaft Connection Belt
270072	18327	Rotary Take-up (small) Driving Shaft Pulley with two 200382C
200382C	18327	Rotary Take-up (small) Driving Shaft Pulley Set Screw
350418C	18327	Rotary Take-up (small) Set Screw
270147	18327	" " " Thread Cast-off Pin
270148	18294	Rotary Take-up Guard
350503H	18294	" " " Screw (3)
2102	18294	Tension Disc
270277	18298	" Releaser (adjustable)
200132E	18298	" " Screw
32572	18294	" Releasing Disc
270278	18294	" " Pin
13710	18294	" Spring
350457C	18294	" Stud
200377C	18294	" " Set Screw
1560C	18294	" Thumb Nut
270279	18294	Tension complete, Nos. 1560C, 13710, 32572, 52082, 270278, 270281, 350457C and two 2102
271017	18294	Thread Guide
236245	18294	" " (lower)
350503H	18294	" " Screw (2)
270280	18298	" Pull-off
200196E	18298	" " Set Screw
271018	18294	" Retainer
200355H	18294	" " Set Screw
270150	18294	" Severing Finger
270151	18294	" " " Guard
350486XC	18294	" " " " Hinge Screw
270156	18294	" " " " " "
		Spring Washer
200567H	18294	Thread Severing Finger Screw

PARTS FOR MACHINE No. 410w101

No.	Plate	Name
52082	18294	Thread Take-up Spring
270281	18294	" " " Regulator with 200377C
446C	18294	Thread Take-up Spring Regulator Set Screw
20994	18296	Throat Plate with 20969 and two 337J
20969	18296	" " Needle Guard
337J	18296	" " " " Screw
691F	18296	" " " Screw (2)

Genuine "SINGER" Needles should be used
in "SINGER" Machines.
These Needles and their Containers
are marked with the
Company's Trade Mark "SIMANCO" 1

Needles in Containers marked
"FOR SINGER MACHINES"
are NOT "SINGER" made needles. 2

ACCESSORIES

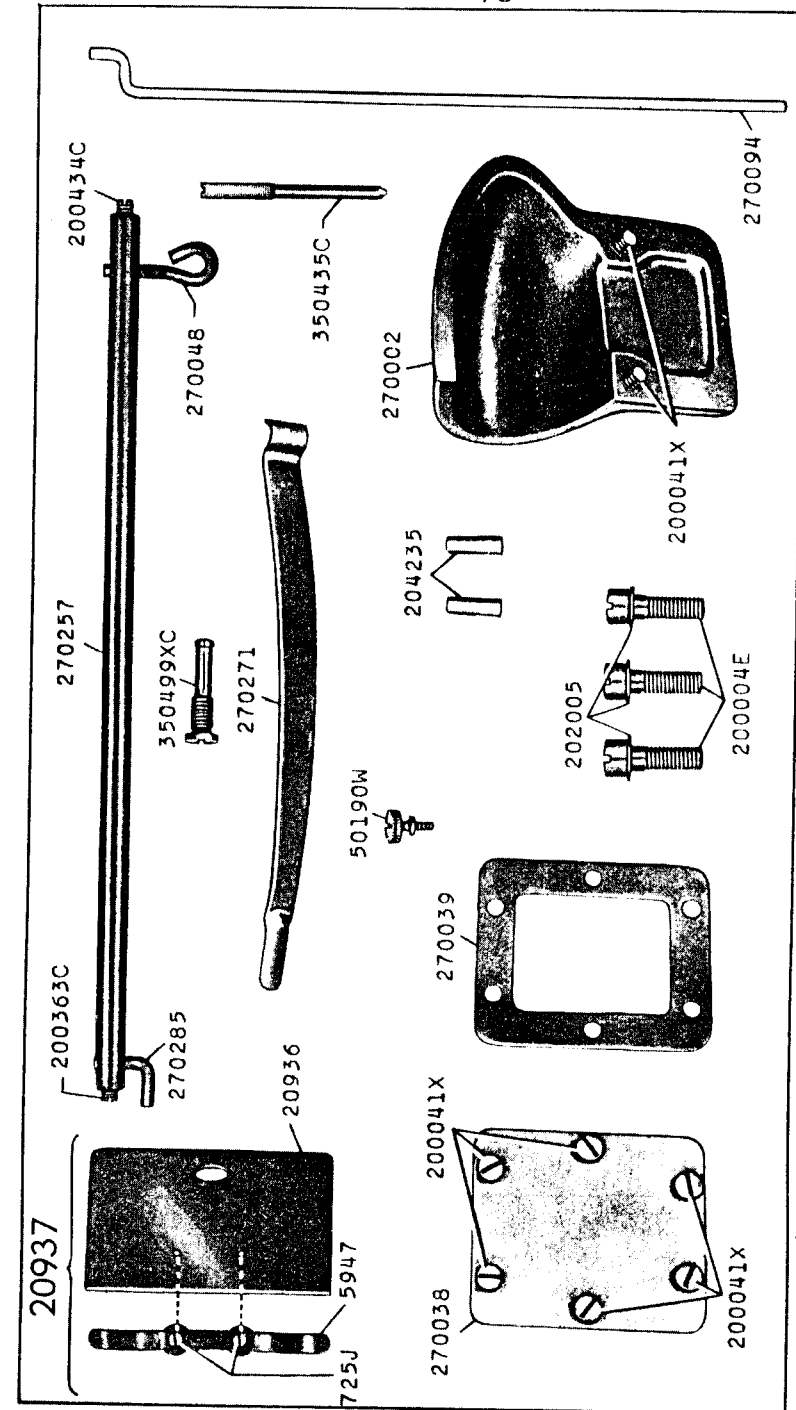
No.	Plate	Name
50190W	18292	Attachment Thumb Screw
228393	18333	Drip Pan with four 3/4 in. wire nails
28971	18299	Guide
176J	18299	" Adjusting Screw
7071	18299	" " " Washer
28972	18299	" Holder
35610	18299	" " Friction Washer
940W	18299	" " Screw
120427	18299	" " Shank
20976	18299	" Leveling Plate
184E	18299	" Screw Stud
51224W	18299	" Thumb Screw
7071	18299	" " " Washer
120428	18299	Guide (adjustable, hinged) complete, Nos. 940W, 7071, 28971, 28972, 35610, 51224W and 120427
149 x 1	-----	Needles, six, size 22
12361	18299	Machine Hinge Connection (2)
41400	18299	" Rest Pin (wood)
120342	18299	Oiler (copper plated) with 120343
120343	18299	" Spout (3-1/2 in. long)
259477	18299	Screw Driver, 5 in. long (moulded handle)

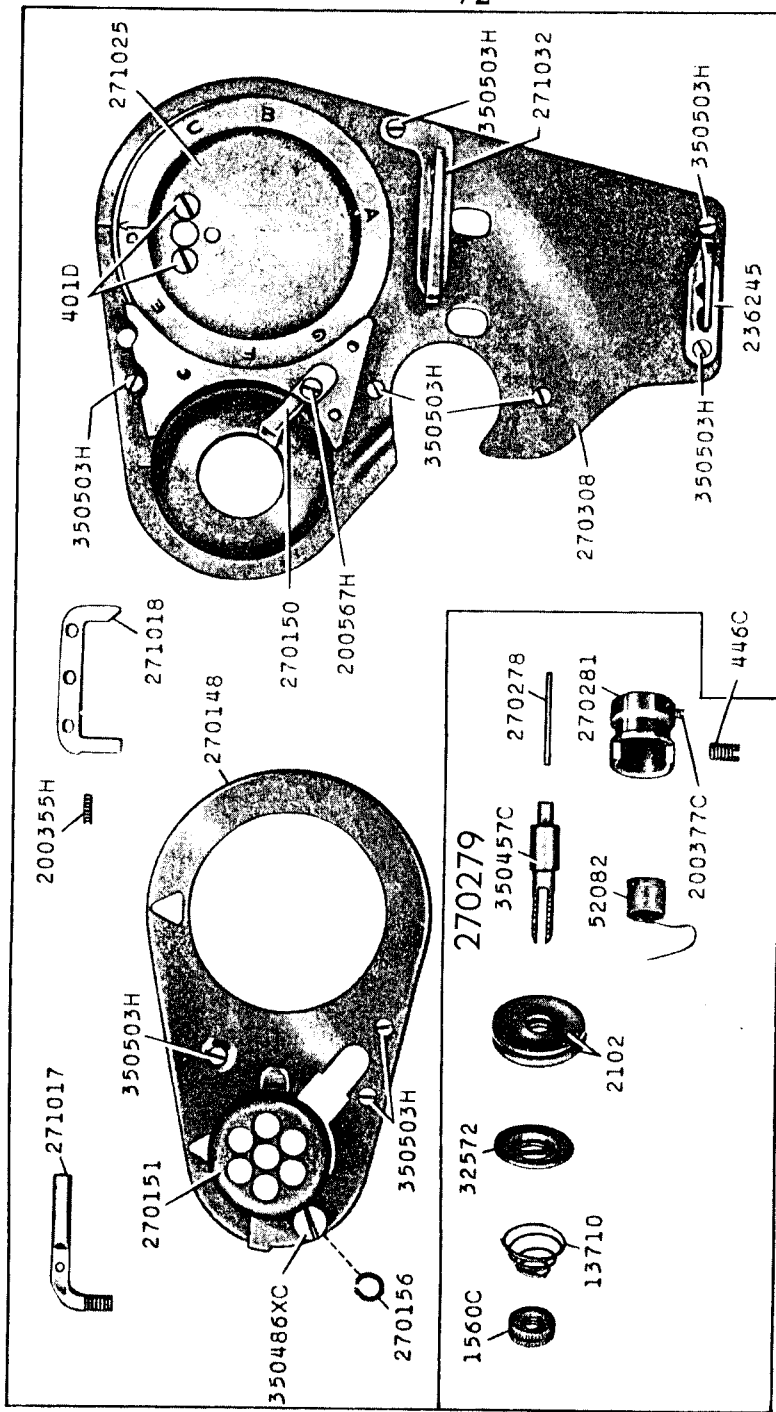
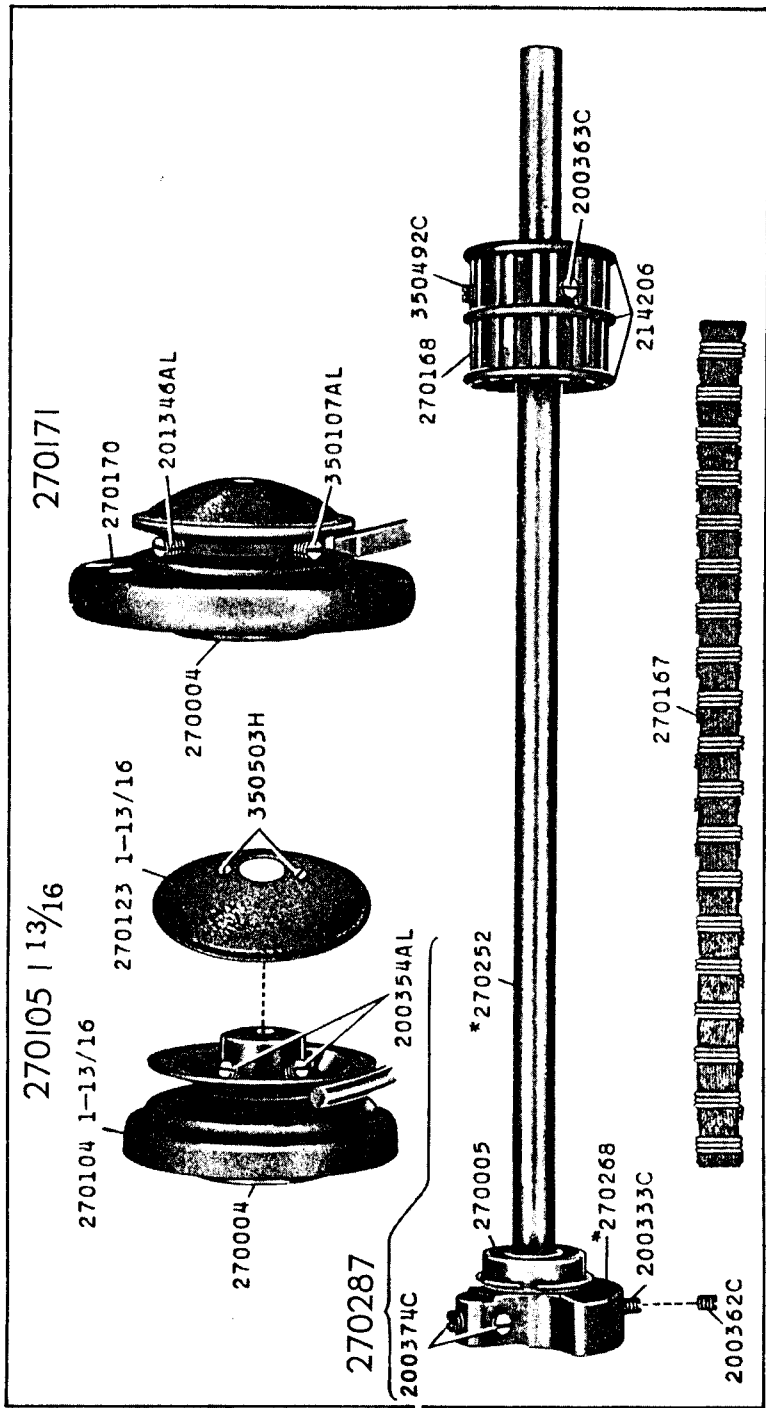
KNEE LIFTER

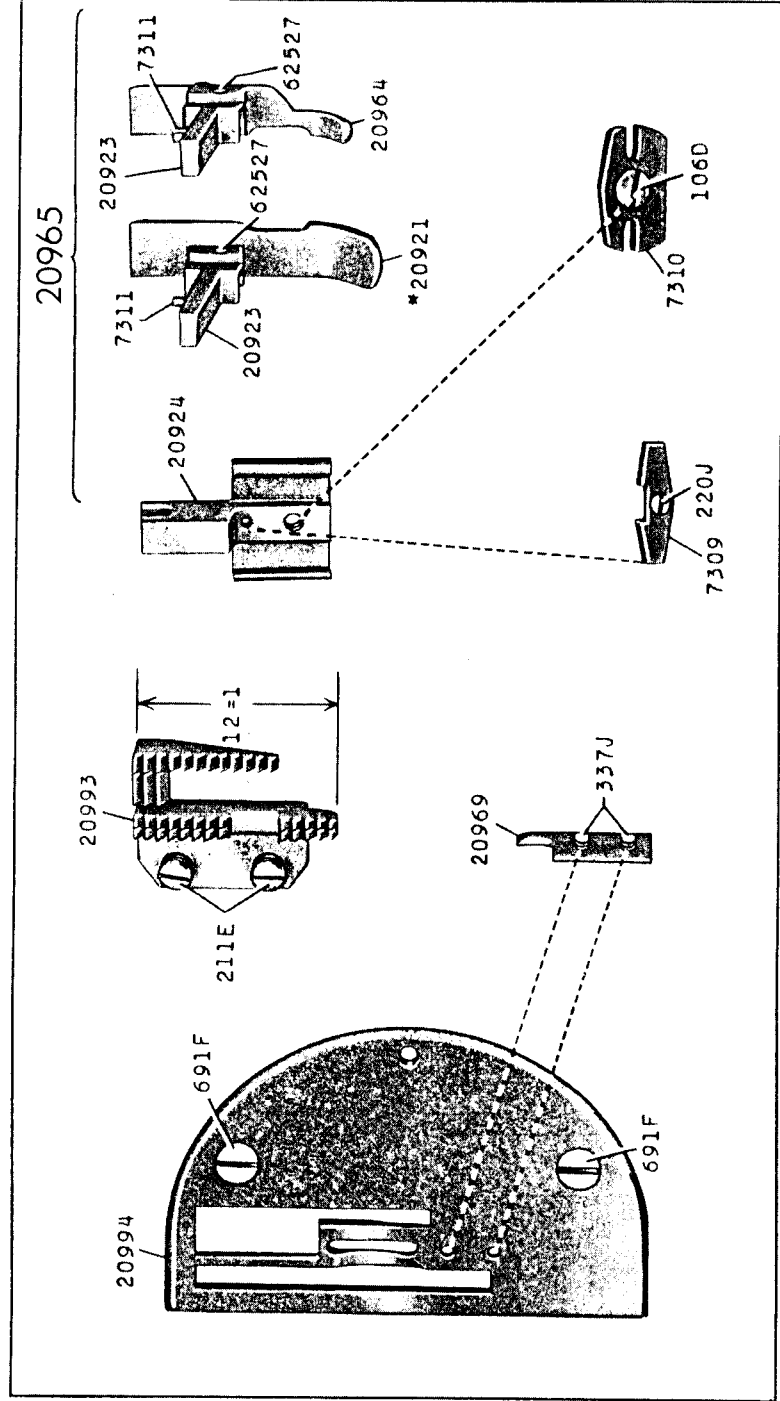
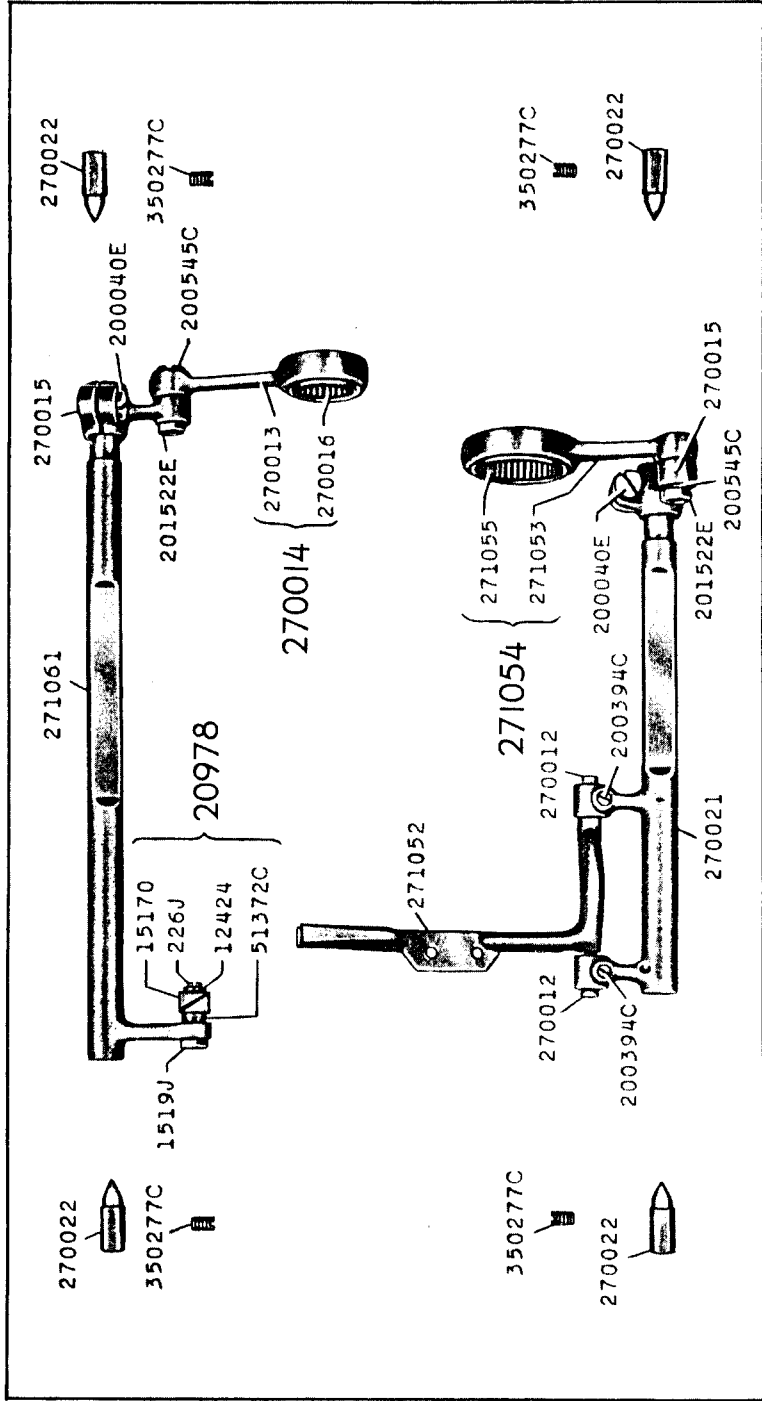
228360	18333	Rock Lever Bracket with 200347C and three wood screws 7/8 in., No. 12
228361	18333	Rock Lever Bracket 228360 with 228359, 228363, 228367, 228386 and 228455
228359	18333	Rock Lever with two 350231C
228370	18333	" " Extension with 200529C
350231C	18333	" " " " Set Screw
228363	18333	" " Hinge Pin
228364	18333	" " Knee Plate with 350231C
228388	18333	" " " " Arm
350231C	18333	" " " " Set Screw
350231C	18333	" " " " Set Screw
228365	18333	" " Rod
200529C	18333	" " " " Set Screw
228386	18333	" " Spring
228367	18333	" " Stop Stud
200347C	18333	" " " " Set Screw
228455	18333	" " Position Spring
228371	18333	Knee Lifter Rock Lever complete, Nos. 228361, 228364, 228365, 228370 and 228388

(Other Knee Lifter Parts are listed with
Parts of Machine Head)

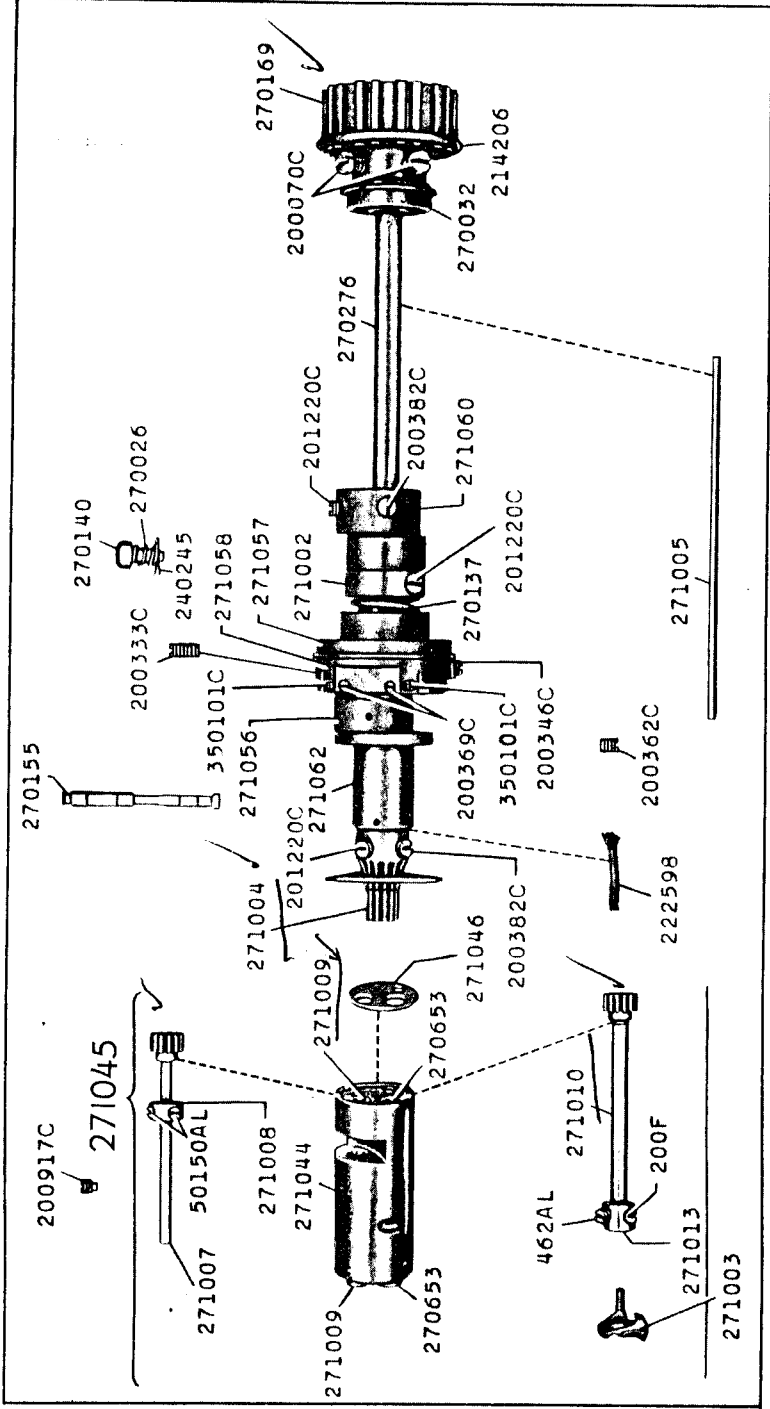
18292 - 3/8



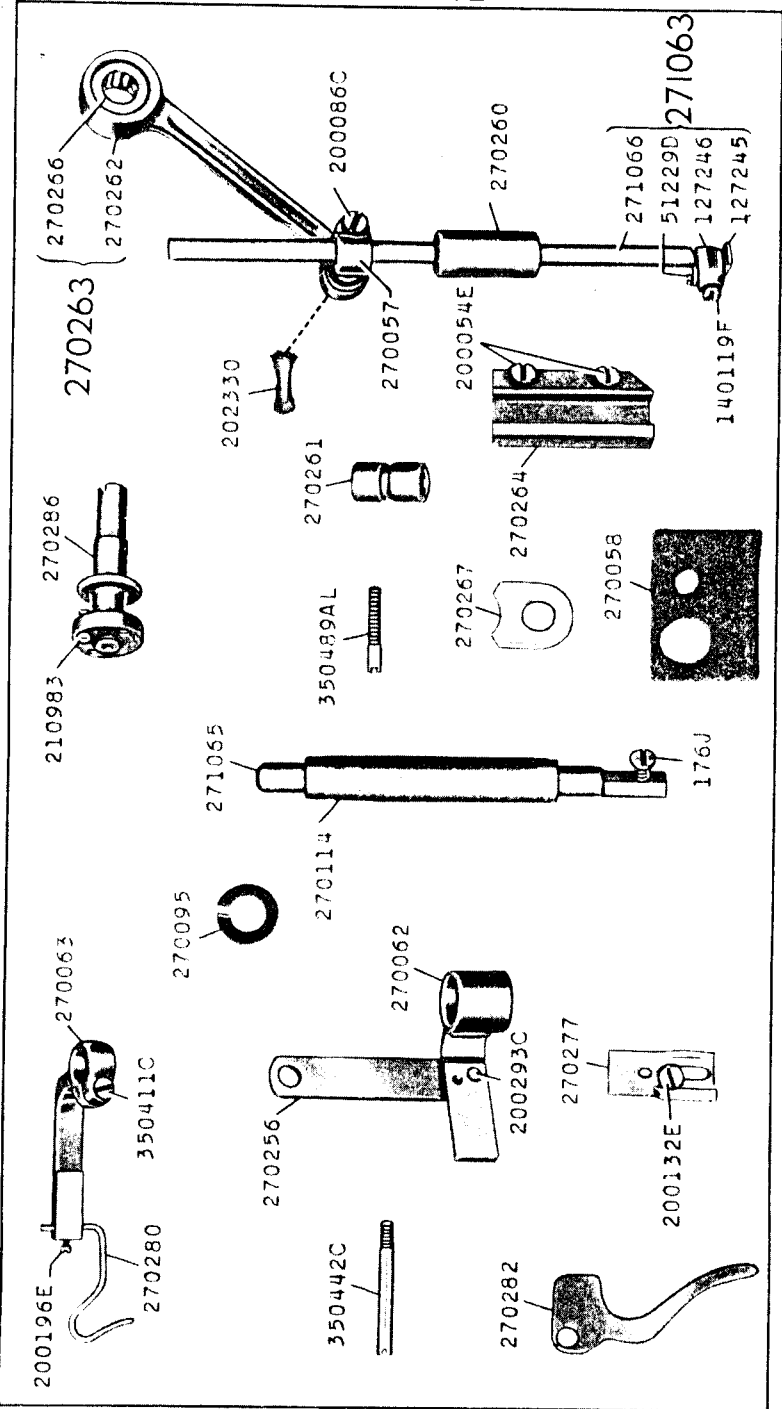




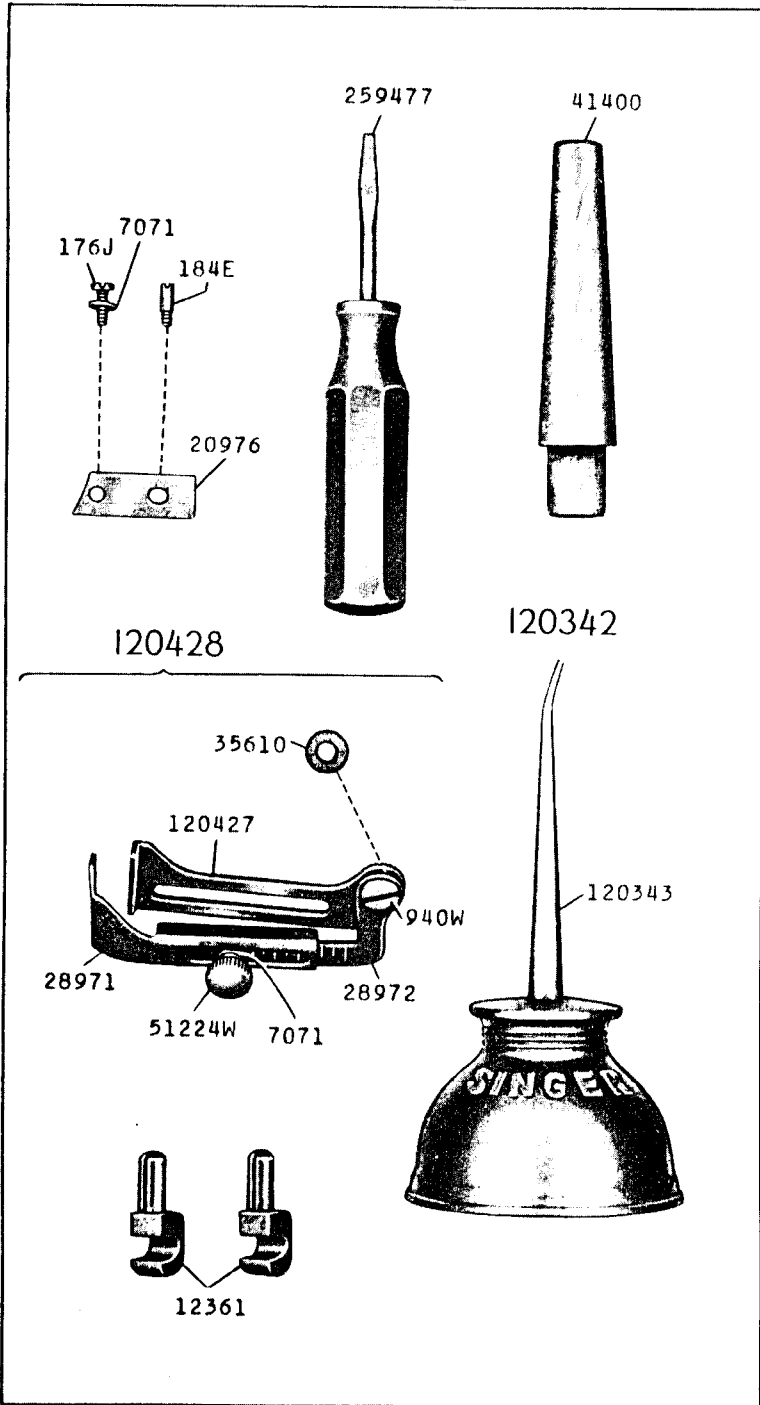
18297 - 3/8



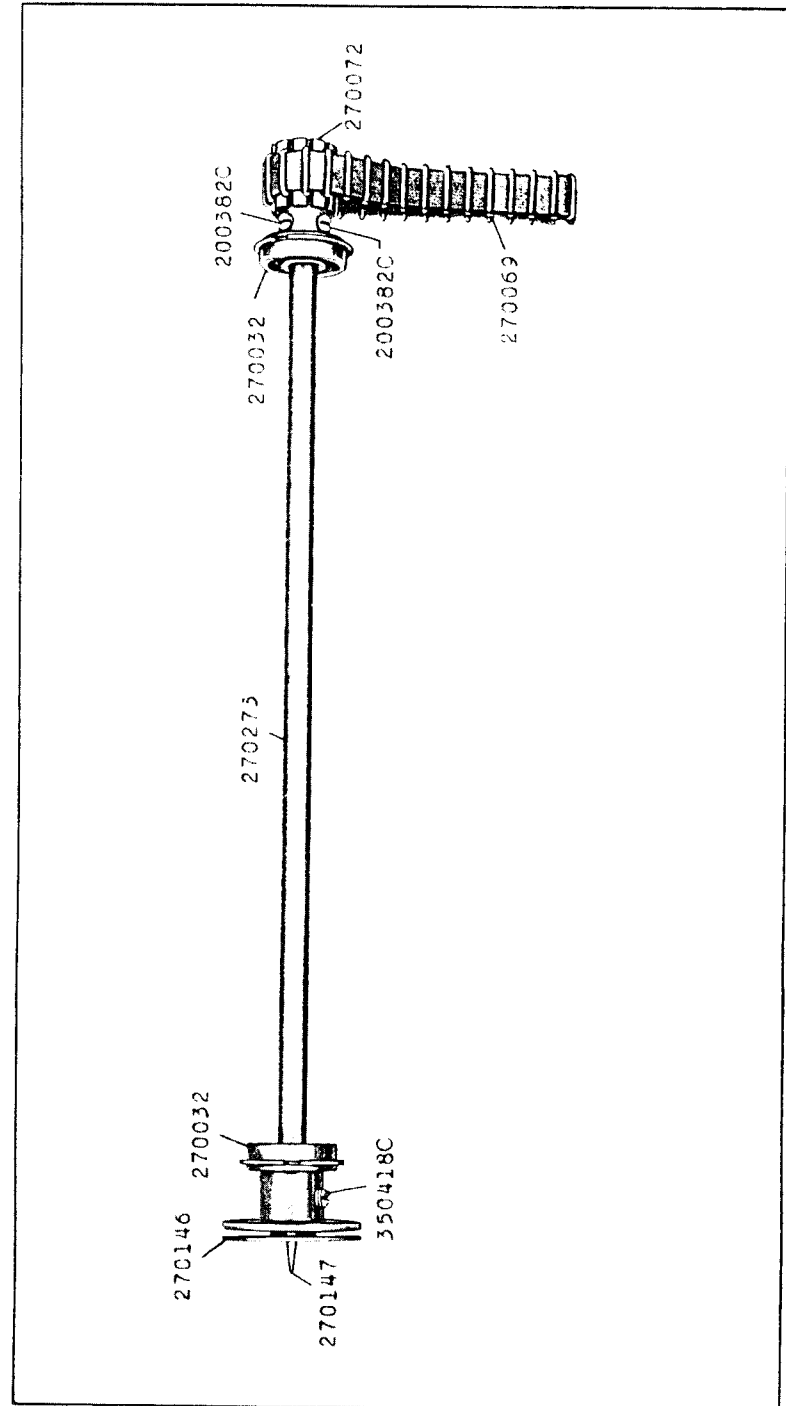
18298 - 1/2



18299 - 1/2

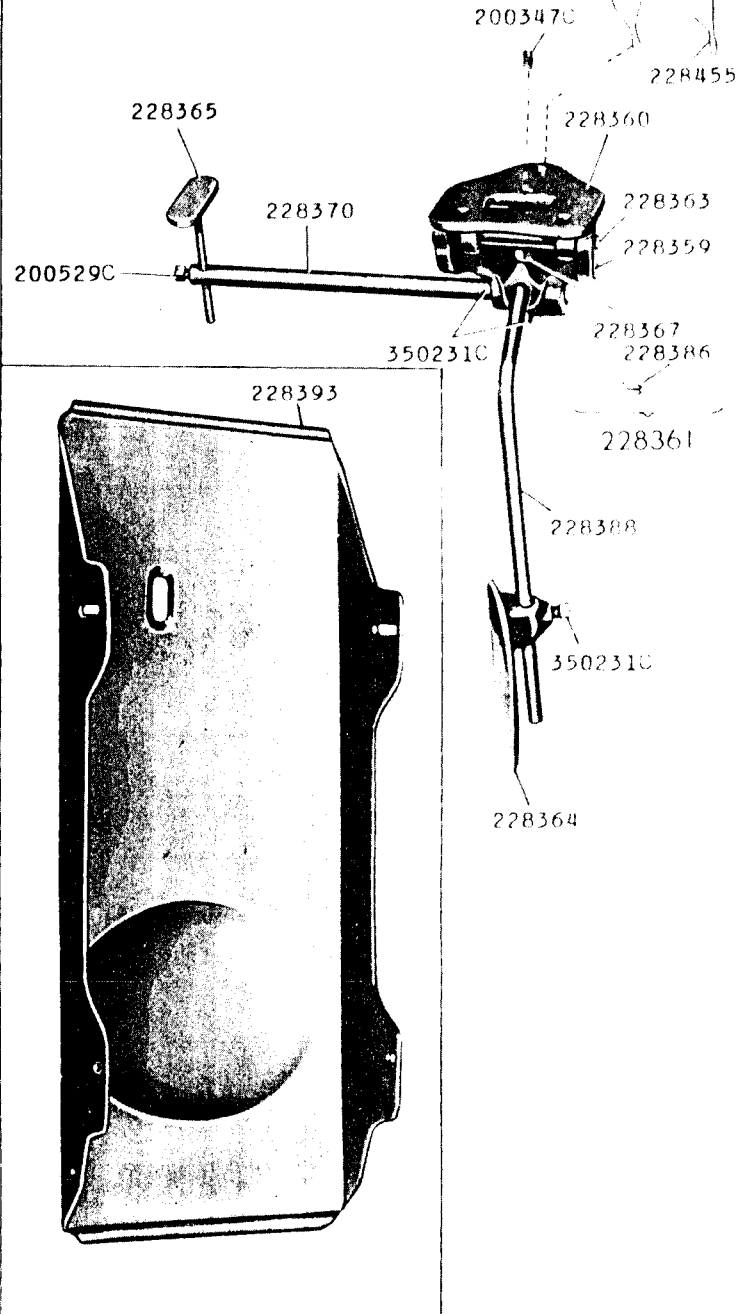


18327 - 3/8



18333 - 1/4

228371



Genuine "SINGER" Needles should be used
in "SINGER" Machines.
These Needles and their Containers
are marked with the
Company's Trade Mark "SIMANCO" 1

Needles in Containers marked
"FOR SINGER MACHINES"
are NOT "SINGER" made needles. 2