

SINGER
72W13,W18

Form 1620-w
OCTOBER, 1919

LIST
OF
PARTS



MACHINES
Nos. 72 w 13 and 72 w 18

THE SINGER MANUFACTURING COMPANY

INDEX

| | PAGE |
|-------------------------------|------|
| ACCESSORIES | 22 |
| Bobbin Winder | 22 |
| Box Flatter | 31 |
| Feed Dogs | 24 |
| Hammers | 27 |
| Knife Lifter | 23 |
| Lap Seam Peller | 32 |
| MACHINE No. 72W13 | 7 |
| " " 72W18 | 21 |
| NUMERICAL LIST OF PARTS | 37 |
| OBsolete PARTS | 33 |
| Piercers | 26 |
| Presser Feet | 25 |
| THROAT PLATES | 26 |

COPYRIGHT, U. S. A. 1918 AND 1919, BY THE SINGER MANUFACTURING CO.
ALL RIGHTS RESERVED FOR ALL COUNTRIES.

Instructions for Ordering

In ordering from this list, use **ONLY** the **PART** number in the **FIRST** column.

The number stamped on a Sewing Machine Part is the number of the Single Part only, except when the part includes Set Screws, Clamping Screws, Studs and Rollers Spun on, Small Wires riveted, or Parts soldered together, etc., which it is necessary to furnish in combination.

Every combination of parts sent out has its specific number which, although not stamped on Parts (except in above cases) must be used when ordering the combination.

Each number always indicates the **SAME PART** in whatever list it appears, or for whatever Machine.

The letters after some of the numbers indicate the style of finish only, as follows:

- A.** Hardened, Polished and Plated.
- B.** Polished and Plated.
- C.** Hardened only.
- D.** Polished only.
- E.** Soft, not polished.
- F.** Hardened and Polished.
- H.** Blued.

These letters **MUST BE USED** when they appear in the list and **AFTER** the number, as in the list.

In this series

- 200001 to 201500 are Screw Numbers.
- 201501 to 201800 are Nut Numbers.
- 201801 to 202000 are Roller Numbers.
- 202001 and upward are numbers of Machine Parts.

The figures in the second column refer only to the plate in which the illustration of the part is shown and are **NOT TO BE USED** in ordering.

Two or more numbers over a cut indicate that the difference between such parts is not visible in an illustration.

Parts marked with an asterisk (*) are furnished only when repairs are made at the factory.

LIST OF PARTS COMPLETE

FOR

MACHINE No. 72w13

For Hemstitching $\frac{1}{8}$ in. Opening Between Intervening Bars or Spokes in Drawn and Coarse Loosely Woven Linen Work for Table Spreads, Doilies, Vase Mats, Etc.

HAS FORWARD FEED.

| No. | Plate | Name |
|---------|-------|--|
| *234705 | --- | Arm with 202036, 234706, two each 200346c and 213222 |
| 204163 | 12314 | Arm Cap |
| 200278H | 12311 | " " Screw |
| 202248 | 12307 | " " " Washer |
| 213257 | 13401 | " Plate |
| 200571B | 11090 | " " Screw (2) |
| 200010E | 13402 | " Screw (3) |
| 202005 | 13414 | " " Washer (3) |
| 203237 | 13415 | " Shaft |
| 204801 | 13401 | " " Bushing (back) with 202260 |
| 202260 | --- | Arm Shaft Bushing (back) Oil Packing (wick) |
| 200352c | 11635 | Arm Shaft Bushing (back) Set Screw |
| 204802 | 13401 | Arm Shaft Bushing (front) with 202036 and 202260 |
| 202260 | --- | Arm Shaft Bushing (front) Oil Packing (wick) |
| 200502B | 11635 | Arm Shaft Bushing (front) Oil Packing Thumb Screw |
| 202036 | 13402 | Arm Shaft Bushing (front) Position Pin |
| 200352c | 11635 | Arm Shaft Bushing (front) Set Screw |
| 204804 | 13401 | Arm Shaft Connection with four 200054E (2) |
| 200054E | 12307 | Arm Shaft Connection Screw |
| 213833 | 13414 | Auxiliary Piercer |
| 213264 | 11097 | " " Holder with 200117E and 200389c |
| 213261 | 11097 | Auxiliary Piercer Holder Bracket with two 200118E |

| No. | Plate | Name |
|---------|-------|--|
| 200118F | 13402 | Auxiliary Piercer Holder Bracket Screw |
| 200117F | 11097 | Auxiliary Piercer Holder Screw .. |
| 200389c | 11642 | " " Set Screw |
| 204174 | 13415 | Balance Wheel, 5 $\frac{1}{2}$ in. diam. (belt groove 2 $\frac{7}{8}$ in. diam.), with 200328c and 200335c |
| 200062H | 12311 | Balance Wheel Adjusting Screw .. |
| 200328c | 12311 | " " Position Screw |
| 200335c | 12311 | " " Set Screw |
| *213235 | ---- | Bed with 202062, 203249, 213191, two each 200362c, 200516E, 200840E and 202299 |
| 202258 | 12153 | Bed Hinge Connection (2) |
| 200570E | 12311 | " " " Screw (4) |
| 203329 | 13401 | " Slide (back) |
| 203301 | 13401 | " " (front) |
| 213710 | 11635 | Bobbin |
| 203210 | 12312 | " Case Base with 202056, 203211 to 203213 and 203216 |
| 203211 | 12312 | Bobbin Case Base Latch |
| *202056 | ---- | " " " " Pin |
| 203212 | 12312 | " " " " Plunger |
| 203213 | 12312 | " " " " Spring .. |
| 203209 | 12312 | " " Cap with 200984c, 203214, 203215 and two 200594c .. |
| 203214 | 12312 | Bobbin Case Tension Spring |
| 200984c | 12312 | " " " " Regulating Screw |
| 200594c | 12312 | Bobbin Case Tension Spring Screw .. |
| 203215 | 12312 | " " Thread Guide |
| 200594c | 12312 | " " " " Screw .. |
| 203216 | 12312 | " " Washer (cloth) |
| 203217 | 12312 | Bobbin Case complete, Nos. 203209 and 203210 |
| 213945 | - | Face Plate with 200355u, two each 200368u, 200397u, 202090 and 204281 |
| 200053c | 12311 | Face Plate Screw |
| 213266 | 11097 | " " Thread Guide |
| 200161D | 12319 | " " " " Screw .. |
| 225604 | 13402 | " " " " " Washer |
| 213946 | 13415 | Face Plate complete, Nos. 200098E, 200161D, 200318u, 202108, 202872, 213213, 213214, 213266, 213267, 213935, 213941 to 213945, 219866, 219867, 228026, 234703, two each 200089D, 200290E, 201537u, 204059, 213872 and three 225604 |

| No. | Plate | Name |
|---------|-------|---|
| 213789 | 11090 | Feed Bar with 204189 |
| 213765 | ---- | " " 213789 with 200075E, 200214E, 201525E, 201535E and 204200 |
| 200214E | 13402 | Feed Bar Hinge Screw |
| 201525E | 13402 | " " " " Nut |
| 204188 | 13402 | " " Spring |
| 204189 | 11635 | " " " Hook |
| 212830 | 13414 | " Dog |
| 200106E | 12311 | " " Screw (2) |
| 200075E | 11090 | " " Support Screw |
| 201535E | 11090 | " " " " Nut |
| 206206 | 13401 | " Driving Cam and Gear, 54 teeth, with two 200383c |
| 206609 | 13414 | Feed Driving Cam and Gear Driving Gear, 18 teeth |
| 213218 | 11090 | Feed Driving Cam and Gear Driving Gear 206609 with two 200348c .. |
| 200348c | 11090 | Feed Driving Cam and Gear Driving Gear Set Screw |
| 201816 | 12307 | Feed Driving Cam and Gear Roller .. |
| 201850 | 11090 | " " " " " " " " 201816 with 200820c |
| 200820c | 11635 | Feed Driving Cam and Gear Roller Stud |
| 201517E | 11090 | Feed Driving Cam and Gear Roller Stud Nut |
| 200383c | 12311 | Feed Driving Cam and Gear Set Screw |
| 213233 | 11097 | Feed Driving Cam and Gear Shaft .. |
| 213245 | 13401 | " " " " " " " " Bracket |
| 200036E | 11090 | Feed Driving Cam and Gear Shaft Bracket Screw (3) |
| 230743 | - | Feed Driving Cam and Gear Shaft Bracket Screw Washer (3) |
| 213172 | - | Feed Driving Rock Shaft |
| 213167 | 13415 | " " " " 213172 with 200002E, 201522E and 204193 |
| 202305 | 12307 | Feed Driving Rock Shaft Center (2) |
| 200043c | 12311 | Feed Driving Rock Shaft Center Set Screw (2) |
| 204193 | 13401 | Feed Driving Rock Shaft Connection with 200668c and 201525E .. |
| 200002E | 13402 | Feed Driving Rock Shaft Connection Hinge Screw |
| 201522E | 13402 | Feed Driving Rock Shaft Connection Hinge Screw Nut |

| No. | Plate | Name |
|---------|-------|--|
| 204200 | 11635 | Feed Driving Rock Shaft Crank with 204189 (on left side) and two 200383c |
| 200383c | 12311 | Feed Driving Rock Shaft Crank Set Screw |
| 213188 | 13411 | Feed Driving Segment Lever with 204293 and 213391 |
| 215700 | 11635 | Feed Driving Segment Lever Clamp with 200031r |
| 215702 | --- | Feed Driving Segment Lever Clamp 215700 with 215701 |
| 215701 | 11635 | Feed Driving Segment Lever Clamp Block |
| 200031r | 12311 | Feed Driving Segment Lever Clamp Pinch Screw |
| 200668c | 13402 | Feed Driving Segment Lever Clamp Screw Stud |
| 201525e | 13402 | Feed Driving Segment Lever Clamp Screw Stud Nut |
| 203741 | --- | Feed Driving Segment Lever Crank with two 200363c |
| 213246 | 11097 | Feed Driving Segment Lever Crank 203741 with 201517c and 201850 |
| 200363c | 11635 | Feed Driving Segment Lever Crank Set Screw |
| *213391 | 11635 | Feed Driving Segment Lever Shaft |
| 204293 | 13414 | " " " " " Pin |
| 213809 | 11101 | Feed Driving Segment Lever Shaft Sleeve (split) (left) |
| 204196 | 12397 | Feed Driving Segment Lever Shaft Sleeve (split) (right) |
| 200043c | 12311 | Feed Driving Segment Lever Shaft Sleeve Set Screw |
| 201524e | 13404 | Feed Driving Segment Lever Shaft Sleeve Set Screw Nut (2) |
| 213234 | 11097 | Feed Lifting Cam with 204020 and two 200383c |
| 200383c | 12311 | Feed Lifting Cam Set Screw |
| 213796 | --- | " " Rock Shaft |
| 203321 | 13412 | " " " " 213796 with 203238 |
| 202305 | 12307 | Feed Lifting Rock Shaft Center (2) |
| 200043c | 12311 | Feed Lifting Rock Shaft Center Set Screw (2) |
| 213259 | 11099 | Feed Lifting Rock Shaft Lever with 200049c and 201807 |
| 204020 | --- | Feed Lifting Rock Shaft Lever Cushion (leather) |

| No. | Plate | Name |
|---------|-------|--|
| 200049c | 13402 | Feed Lifting Rock Shaft Lever Pinch Screw |
| 201822 | --- | Feed Lifting Rock Shaft Lever Roller |
| 201807 | 11099 | Feed Lifting Rock Shaft Lever Roller 201822 with 200261e |
| 200261e | 13410 | Feed Lifting Rock Shaft Lever Roller Screw Stud |
| 202276 | 13414 | Feed Lifting Rock Shaft Slide Block |
| 203238 | 13414 | Feed Lifting Rock Shaft Slide Block 202276 with 200243e and 201531e |
| 200243e | 13402 | Feed Lifting Rock Shaft Slide Block Hinge Screw |
| 201531e | 13414 | Feed Lifting Rock Shaft Slide Block Hinge Screw Nut |
| 204206 | 13402 | Feed Regulating Handle |
| 204713 | --- | " " " 204206 with 200098e, 202622, 204208, 204209, 204213, 204714 and 204925 |
| 204208 | 12307 | Feed Regulating Handle Adjustable Stop |
| 200098e | 12307 | Feed Regulating Handle Adjustable Stop Screw |
| 204925 | 13402 | Feed Regulating Handle Adjustable Stop Screw Washer |
| 204209 | 12307 | Feed Regulating Handle Position Pin |
| 204714 | 13402 | " " " Shaft |
| 204211 | 13402 | " " " " Crank with 200098e |
| 204212 | 12307 | Feed Regulating Handle Shaft Crank Link |
| 200271e | 12311 | Feed Regulating Handle Shaft Crank Link Hinge Screw (lower) |
| 200291e | 12307 | Feed Regulating Handle Shaft Crank Link Hinge Screw (upper) |
| 200098e | 12307 | Feed Regulating Handle Shaft Crank Set Screw |
| 204213 | 12307 | Feed Regulating Handle Shaft Sleeve (split) |
| 200362c | 12311 | Feed Regulating Handle Shaft Sleeve Set Screw |
| 202622 | 13402 | Feed Regulating Handle Shaft Sleeve Washer |
| 202036 | 13402 | Feed Regulating Handle Stop Pin |
| 204715 | --- | Feed Regulating Handle complete, Nos. 200291e, 204211, 204213 and 204713 |
| *203239 | --- | Hook (sewing) |

| No. | Plate | Name |
|---------|-------|---|
| 203240 | 12312 | Hook 203239 with 201253F, 201376F and 203251 |
| 203290 | 12312 | Hook and Bobbin Case complete, Nos. 203217 and 203240 |
| 203241 | 12312 | Hook Bevel Gear Socket, 24 teeth |
| 200555H | 12312 | " " " " Screw ... |
| 203242 | 12344 | " " Pinion, 24 teeth, with two 200383c (2) |
| 200383c | 12311 | Hook Bevel Pinion Set Screw |
| 203306 | 13411 | " Counter Shaft |
| 203244 | 13414 | " " " Collar with two 200393c |
| 200393c | 13414 | Hook Counter Shaft Collar Set Screw |
| 203245 | 12344 | Hook Counter Shaft Driving Gear, 44 teeth, with 200362c and 200439c |
| 200439c | 12311 | Hook Counter Shaft Driving Gear Position Screw |
| 200362c | 12311 | Hook Counter Shaft Driving Gear Set Screw |
| 203246 | 12314 | Hook Counter Shaft Gear, 22 teeth, with two 200383c |
| 200383c | 12311 | Hook Counter Shaft Gear Set Screw |
| 202299 | ----- | " " " Oil Packing (wick) |
| 200840c | 12311 | Hook Counter Shaft Oil Packing (wick) Stop Screw |
| 213230 | 13415 | Hook Driving Shaft |
| 213191 | 13412 | " " " Bearing with 202299 |
| 202299 | ----- | Hook Driving Shaft Bearing Oil Packing (wick) |
| 202126 | 13414 | Hook Driving Shaft Bearing Position Pin |
| 200516F | 12311 | Hook Driving Shaft Bearing Screw |
| 203249 | 12344 | " " " Bushing (eccentric) |
| 202299 | ----- | Hook Driving Shaft Bushing Oil Packing (wick) |
| 200362c | 12311 | Hook Driving Shaft Bushing Set Screw |
| 213141 | 11635 | Hook Driving Shaft Collar with two 200393c |
| 200393c | 13414 | Hook Driving Shaft Collar Set Screw |
| 203251 | 12312 | Hook Gib |
| 201376F | 13402 | " " Hinge Screw |
| 201253F | ----- | " " Screw |
| 203307 | 12335 | " Saddle with 202299 |

| No. | Plate | Name |
|---------|-------|--|
| 202299 | ----- | Hook Saddle Oil Packing (wick) .. |
| 200006E | 12307 | " " " Screw (4) |
| 225585 | 12307 | " " " Washer (4) |
| 203254 | 12312 | " Washer |
| 203308 | 12335 | Hook Saddle complete, Nos. 200555H, 203241, 203254, 203290 and 203307 |
| 203462 | ----- | Hook Saddle Combination complete, Nos. two 203308 |
| 227442 | 13412 | Knee Lifter Connection Lever with 202446 |
| 227444 | ----- | Knee Lifter Connection Lever 227442 with 227309, 227448 and two 200224H |
| 200224H | 13402 | Knee Lifter Connection Lever Hinge Screw |
| 227309 | 13415 | Knee Lifter Connection Lever Lifting Rod with 202302 |
| 202302 | 13402 | Knee Lifter Connection Lever Lifting Rod Cotter Pin |
| 202446 | 13402 | Knee Lifter Connection Lever Pin |
| 227448 | 13412 | " " Lifting Lever |
| 200224H | 13402 | " " " " Hinge Screw |
| 213244 | 13415 | Needle Bar (hollow) |
| 213387 | ----- | " " 213244 with 201206F and 213398 |
| 213222 | 13402 | Needle Bar Bushing (2) |
| 200346c | 13402 | " " " Set Screw (2) .. |
| 204248 | 12307 | " " Connecting Link |
| 200658c | 12307 | " " " " Hinge Screw Stud |
| 201519c | 12307 | Needle Bar Connecting Link Hinge Screw Stud Nut |
| 204249 | 13414 | Needle Bar Connecting Stud with 200072c and 202277 |
| 202277 | ----- | Needle Bar Connecting Stud Oil Packing (wick) |
| 200072c | 13414 | Needle Bar Connecting Stud Pinch Screw |
| 221480 | 13402 | Needle Bar Guide with 200086c ... |
| 200086c | 13414 | " " " Pinch Screw |
| 213256 | 11099 | " " Thread Guide |
| 213237 | 11099 | " Holder (left) with two 200117F |
| 213238 | 11099 | " " (right) with two 200117F |
| 213236 | 11099 | " " Bracket |
| 213398 | ----- | " " " 213236 with 213237, 213238, two each 200126F, 200797c, 201537H, 213239 and 225604 |
| 201206F | 13410 | Needle Holder Bracket Screw |
| 200126F | 11642 | " " Stop Screw |

| No. | Plate | Name |
|---------|-------|--|
| 213239 | 11099 | Needle Holder Stop Screw Washer |
| 200797c | 11099 | " " Stud |
| 201537H | 12319 | " " " Nut |
| 225604 | 13402 | " " " Washer |
| 200117F | 11097 | " Set Screw |
| 221472 | 13411 | Needle Vibrating Cam and Gear, 48 teeth |
| 221475 | --- | Needle Vibrating Cam and Gear 221472 with 200062H and 213203 |
| 200062H | 12311 | Needle Vibrating Cam and Gear Adjusting Screw |
| 221470 | 13404 | Needle Vibrating Cam and Gear Driving Gear, 16 teeth, with two 200383c |
| 200383c | 12311 | Needle Vibrating Cam and Gear Driving Gear Set Screw |
| 213802 | 13416 | Needle Vibrating Cam and Gear Segment Lever with 201809, 204928 and 215691 |
| 234706 | --- | Needle Vibrating Cam and Gear Segment Lever Bushing |
| 204922 | 11099 | Needle Vibrating Cam and Gear Segment Lever Connecting Link (lower or upper) |
| 204841 | --- | Needle Vibrating Cam and Gear Segment Lever Connecting Link 204922 with 204923 |
| 204923 | 11642 | Needle Vibrating Cam and Gear Segment Lever Connecting Link Bushing (2) |
| 200110B | 13404 | Needle Vibrating Cam and Gear Segment Lever Connecting Link Screw |
| 204924 | 13404 | Needle Vibrating Cam and Gear Segment Lever Connecting Link Screw Washer |
| 213241 | 13416 | Needle Vibrating Cam and Gear Segment Lever Connection (lower) with 214005 |
| 213242 | 13416 | Needle Vibrating Cam and Gear Segment Lever Connection (upper) with 214005 |
| 213243 | 13416 | Needle Vibrating Cam and Gear Segment Lever Connection Bracket |
| 213277 | --- | Needle Vibrating Cam and Gear Segment Lever Connection Bracket 213243 with 213241, 213242, two each 201275B, 204841, 204924, 213265 and four 200110B |

| No. | Plate | Name |
|---------|-------|---|
| 200571B | 11090 | Needle Vibrating Cam and Gear Segment Lever Connection Bracket Screw (lower) |
| 200574E | 11642 | Needle Vibrating Cam and Gear Segment Lever Connection Bracket Screw (upper) |
| 200791E | 13404 | Needle Vibrating Cam and Gear Segment Lever Connection Screw Stud Slide (2) |
| 202104 | 10881 | Needle Vibrating Cam and Gear Segment Lever Connection Screw Stud Slide Washer (2) |
| 201581B | 13404 | Needle Vibrating Cam and Gear Segment Lever Connection Screw Stud Slide Wing Nut (2) |
| 213265 | 11100 | Needle Vibrating Cam and Gear Segment Lever Connection Slide Block |
| 201275B | 13410 | Needle Vibrating Cam and Gear Segment Lever Connection Slide Block Screw |
| 206505 | 11100 | Needle Vibrating Cam and Gear Segment Lever Connection Stop Block |
| 200135E | 11642 | Needle Vibrating Cam and Gear Segment Lever Connection Stop Block Screw |
| 225908 | 11100 | Needle Vibrating Cam and Gear Segment Lever Connection Stop Block Screw Washer |
| 206008 | --- | Needle Vibrating Cam and Gear Segment Lever Connection Stop Block complete, Nos. 200135E, 206505 and 225908 (2) |
| *214005 | --- | Needle Vibrating Cam and Gear Segment Lever Connection Stud with 204020 |
| 201816 | 12307 | Needle Vibrating Cam and Gear Segment Lever Roller |
| 201809 | 13404 | Needle Vibrating Cam and Gear Segment Lever Roller 201816 with 202556 |
| 202556 | 13414 | Needle Vibrating Cam and Gear Segment Lever Roller Stud |
| *204928 | --- | Needle Vibrating Cam and Gear Segment Lever Shaft |
| 202574 | 11635 | Needle Vibrating Cam and Gear Segment Lever Shaft Collar with 200380 |

| No. | Plate | Name |
|---------|-------|--|
| 200380c | 12319 | Needle Vibrating Cam and Gear Segment Lever Shaft Collar Set Screw |
| 215691 | 11642 | Needle Vibrating Cam and Gear Segment Lever Shaft Position Pin |
| 213203 | 13412 | Needle Vibrating Cam and Gear Stud |
| 201501B | 13404 | Needle Vibrating Cam and Gear Stud Nut |
| 200343c | 13404 | Needle Vibrating Cam and Gear Stud Set Screw |
| 213240 | 11100 | Needle Vibrating Lever (2) |
| 213250 | 11100 | " " " Bearing (left) |
| 234704 | 11100 | Needle Vibrating Lever Bearing (right) |
| 204920 | ---- | Needle Vibrating Lever Friction (leather) |
| 200117F | 11097 | Needle Vibrating Lever Set Screw |
| 213831 | 13414 | Piercer |
| 213260 | 13411 | " Bar |
| 214003 | ---- | " " 213260 with 213262 and 231481 |
| 221481 | 13404 | Piercer Bar Bushing (lower) |
| 200352c | 11635 | " " " " Set Screw |
| 213262 | 11100 | " " " (upper) |
| 200352c | 11635 | " " " " Set Screw |
| 213248 | 11100 | " " Driving Cam with two 200362 |
| 213258 | 11100 | Piercer Bar Driving Cam Connection with 200057H and 200066D .. |
| 213247 | 11642 | Piercer Bar Driving Cam Connection 213258 with 200128F, 213248 and 213740 |
| 221461 | 11642 | Piercer Bar Driving Cam Connection Crank with 200070c, 200740c and 201520H |
| 200740c | 11101 | Piercer Bar Driving Cam Connection Crank Ball Screw |
| 201520H | 11101 | Piercer Bar Driving Cam Connection Crank Ball Screw Nut |
| 200070c | 11642 | Piercer Bar Driving Cam Connection Crank Pinch Screw |
| 200057H | 13404 | Piercer Bar Driving Cam Connection Pinch Screw |
| 200066D | 11642 | Piercer Bar Driving Cam Connection Pinch Screw |
| 213740 | 11101 | Piercer Bar Driving Cam Retaining Washer |

| No. | Plate | Name |
|---------|-------|--|
| 200128F | 11642 | Piercer Bar Driving Cam Retaining Washer Screw |
| 200362c | 12311 | Piercer Bar Driving Cam Set Screw |
| 213249 | 11101 | Piercer Bar Lifting Bracket with two 200380c |
| 200380c | 12319 | Piercer Bar Lifting Bracket Set Screw |
| 213804 | 13411 | Piercer Bar Lifting Rock Shaft |
| 215720 | 11642 | " " " " " Bushing (2) |
| 201254c | 13410 | Piercer Bar Lifting Rock Shaft Bushing Set Screw (2) |
| 201524F | 13404 | Piercer Bar Lifting Rock Shaft Bushing Set Screw Nut (2) |
| 204197 | 11635 | Piercer Bar Lifting Rock Shaft Collar with 200113F |
| 200113F | 13414 | Piercer Bar Lifting Rock Shaft Collar Set Screw |
| *213738 | ---- | Piercer Bar Lifting Rock Shaft Crank with 201812 |
| 213255 | 13416 | Piercer Bar Lifting Rock Shaft Crank 213738 with 203339 and 213804 |
| 214001 | ---- | Piercer Bar Lifting Rock Shaft Crank 213255 with 213249 |
| 203339 | 11642 | Piercer Bar Lifting Rock Shaft Crank Position Pin |
| 201812 | 11642 | Piercer Bar Lifting Rock Shaft Crank Roller and Stud |
| 213253 | 11101 | Piercer Holder with 200117F |
| 200076D | 11642 | " " Screw |
| 200117F | 11097 | " Set Screw |
| 213791 | 13411 | Presser Bar (hollow) |
| 204252 | 13414 | " " Lifter |
| 200550c | 12311 | " " " Hinge Screw .. |
| 202179 | 11643 | " " Lifting Bracket with 200387c |
| 201254 | 12307 | Presser Bar Lifting Bracket Position Guide |
| 200362c | 12311 | Presser Bar Lifting Bracket Position Guide Set Screw |
| 200387c | 11643 | Presser Bar Lifting Bracket Set Screw |
| 204327 | ---- | Presser Bar Packing Washer (felt) |
| 200504F | 13404 | " " Screw Bushing (lower) |
| 204255 | 13404 | " " Spring |
| 200491F | 12344 | " " Thumb Screw (pressure regulating) |

| No. | Plate | Name |
|---------|-------|--|
| 200436r | 13404 | Presser Foot Adjusting Screw |
| 200086r | 13414 | " " " " Clamp Screw |
| 221479 | 13404 | Presser Foot Hinge Pin |
| 229685 | 13404 | " " " Stud |
| 200397n | 13404 | " " " " Set Screw |
| 221464 | ----- | " " " Plate (left) |
| 221463 | ----- | " " " " (right) |
| 229672 | 13417 | " " " Shank (left) with 200086r, 200397n and 200436r |
| 221465 | ----- | Presser Foot Shank 229672 with 221464 and 221479 |
| 229676 | 13417 | Presser Foot Shank (right) with 200086r |
| 221466 | ----- | Presser Foot Shank 229676 with 221463 and 221479 |
| 200086r | 13414 | Presser Foot Shank (right) Set Screw |
| 229674 | 13417 | Presser Foot Spring |
| 202737 | 13404 | " " " " Collar with 200380r |
| 200380c | 12319 | Presser Foot Spring Collar Set Screw |
| 221467 | 13417 | Presser Foot (hinged) complete, Nos. 221465, 221466 and 229685 |
| 202068 | 12153 | Spool Holder Base |
| 204551 | 13415 | " " " Bracket |
| 200257n | 13404 | " " " " Screw |
| 204552 | - - | Spool Holder Base Bracket complete, Nos. 204551, two each 200575n and 204297 |
| 200575n | 12314 | Spool Holder Base Screw |
| 204296 | 12153 | " " " Wire |
| 200079n | 12311 | " " " " Hinge Screw |
| 204297 | 12153 | Spool Holder, complete, Nos. 200079n, 202068 and 204296 |
| 212920 | - - | Take-up Cam with 200335c and 200430c |
| 203268 | 13411 | Take-up Cam 212920 with 200383c, 200658c and 204549c |
| 203172 | 12307 | Take-up Cam Friction Washer |
| 200430c | 12311 | " " " Position Screw |
| 200383c | 12311 | " " " " " Check Screw |
| 200335c | 12311 | Take-up Cam Set Screw |
| 203311 | 13404 | " Lever |
| 221451 | - - | " " 203311 with 204263 |
| 204263 | 13404 | " " " Bearing with 204264 |
| 204264 | 11643 | " " " " Position Pin |
| 200042r | 12311 | " " " " Screw |

| No. | Plate | Name |
|---------|-------|---|
| 201846 | 12307 | Take-up Lever Roller |
| 203312 | 13404 | Take-up Lever, complete, Nos. 200042r, 201846 and 221451 |
| 202402 | 11643 | Tension Disc |
| 202099 | 11643 | " " " Position Pin |
| 213267 | 11101 | " Release Cam |
| 200290r | 13417 | " " " " Screw |
| 204537n | 12319 | " " " " " Nut |
| 225604 | 13402 | " " " " " Washer |
| 213213 | 13418 | " " " Lever |
| 200290r | 13417 | " " " " Screw |
| 204537n | 12319 | " " " " " Nut |
| 213214 | 13418 | " " " " Spring |
| 200318n | 13418 | " " " " " Screw |
| 234703 | 13418 | " " " " Stop |
| 202872 | 13418 | " " " " " Position Pin |
| 202075 | 11643 | " " " Plunger |
| 214052 | 11643 | " " " Slide with 204269 |
| 204469 | 13418 | " " " " Spring |
| 204270 | 11643 | " Spring |
| 200632c | 11643 | " Stud |
| 200397n | 13404 | " " " Set Screw |
| 204572n | 10881 | " Thumb Nut |
| 204271 | 11643 | " Washer |
| 213872 | 11643 | Tension complete, Nos. 200632c, 204572n, 202075, 204270, 204271 and two 202402 |
| 213934 | 11644 | Thread Controller Bracket |
| 213935 | ----- | " " " 213934 with 200152n, 213937 to 213939, two each 200315n, 202098, 213936 and four 213940 |
| 202108 | 13404 | Thread Controller Bracket Position Pin |
| 200098r | 12307 | Thread Controller Bracket Screw |
| 213936 | 11644 | " " " Plate |
| 202098 | 11644 | " " " Roller |
| 213937 | 11644 | " " " " Guard (back) |
| 213938 | 11644 | " " " " " (front) |
| 213939 | 11644 | " " " " " Clamp |
| 200152n | 11644 | " " " " " " Screw |
| 213940 | 11644 | Thread Controller Roller Guard Clamp Screw Washer |
| 200315n | 11644 | Thread Controller Roller Screw |
| 219866 | 11644 | " " " Spring (back) |
| 219867 | 11644 | " " " " (front) |
| 213942 | 11644 | " " " " Adjusting Collar (back) |

ACCESSORIES

| No. | Plate | Name |
|---------|-------|---|
| 213833 | 13411 | Auxiliary Pierceer |
| 213710 | 11635 | Bobbin (10) |
| *225482 | — | " Case Screw Driver Blade ... |
| *225483 | — | " " " " Handle ... |
| 225497 | 12153 | Bobbin Case Screw Driver complete, Nos. 225482 and 225483 ... |
| 225486 | 13410 | Needle Holder Stud Nut Wrench ... |
| 213831 | 13414 | Pierceer |
| 234792 | — | Tweezers |
| 128 x 1 | — | Needles, six each, sizes 12 and 14 |
| 225491 | — | Drip Pan with four wood screws, 2 in., No. 5 |
| 41100 | 12153 | Machine Rest Pin (wood) |
| 36578 | 12153 | Oiler with 36579 |
| 36579 | 12153 | " Spout, 3½ in. long, with 120117 |
| 120117 | — | " " Washer |
| *225484 | — | Screw Driver Blade |
| *225485 | — | " " Handle |
| 225498 | 12153 | Screw Driver complete (7½ in. long), Nos. 225484 and 225485 ... |
| 225554 | 12153 | Wrench (steel) |

BOBBIN WINDER

Swing Automatic, Right Hand.

| | | |
|---------|-------|----------------------------------|
| *225451 | — | Bobbin Holder |
| 225453 | 10882 | Frame with 202277 and 225438 ... |
| 225454 | 10882 | " Hinge Pin |
| 202277 | — | " Oil Packing (wick) |
| 225438 | 10882 | " " Well Cap |
| 225455 | 10882 | " Spring |
| 225456 | 10882 | " " Plunger |
| 202473 | 10883 | Pulley with 200380c |
| 225457 | 10882 | " Friction Stud |
| 200380c | 12319 | " Set Screw |
| *225443 | — | Spindle |
| 225452 | 10882 | " 225443 with 225451 |
| 225444 | 10882 | Stop Latch |
| 200056E | 10882 | " " Screw |
| 225458 | 10882 | " " Thumb Lever |
| 225459 | 10882 | " " " " Hinge Stud |
| 225460 | 10882 | " " " " Joint Stud |
| 202478 | 10882 | " " Trip Lever |
| 200299H | 10882 | " " " " Hinge Screw |

| No. | Plate | Name |
|---------|-------|---|
| 225461 | 10881 | Tension Bracket with 201499b ... |
| 200082b | 10881 | " " Screw |
| 202104 | 10881 | " " Washer |
| 2102 | 10881 | " Disc |
| 202407 | 10881 | " Spring |
| 201499b | 10881 | " Stud |
| 201572b | 10881 | " " Thumb Nut |
| 225462 | 10881 | Bobbin Winder Tension Bracket complete, Nos. 201572b, 202407, 225461 and two 2102 |
| 225463 | 10883 | Bobbin Winder and Tension Bracket Base |
| 225436 | 10883 | Universal Bobbin Winder complete, Nos. 200056d, 200082b, 200299a, 202104, 202473, 202478, 225444, 225452 to 225460, 225462, 225463 and two round head wood screws 1 in., No. 13 |

KNEE LIFTER

| | | |
|---------|-------|--|
| 227781 | 10958 | Knee Lifter Rock Lever with 200522c and 200529c |
| 227782 | — | Knee Lifter Rock Lever 227781 with two each 202451 and 202452 |
| 227783 | 10958 | Knee Lifter Rock Lever 227782 with 202985 and 227784 |
| 202453 | 10958 | Knee Lifter Rock Lever Knee Plate with 200526c |
| 202985 | — | Knee Lifter Rock Lever Knee Plate 202453 with 202455 |
| 202455 | 10958 | Knee Lifter Rock Lever Knee Plate Arm (short) |
| 200522c | 12319 | Knee Lifter Rock Lever Knee Plate Arm Set Screw |
| 200526c | 12319 | Knee Lifter Rock Lever Knee Plate Set Screw |
| 202451 | 10958 | Knee Lifter Rock Lever Lug with two wood screws 2 in., No. 13i ... |
| 202452 | 12319 | Knee Lifter Rock Lever Lug Hinge Pin |
| 227784 | 10958 | Knee Lifter Rock Lever Rod, 3 in. long, with 227785 |
| *227785 | — | Knee Lifter Rock Lever Rod Cap or Oil Guard |
| 200529c | 12319 | Knee Lifter Rock Lever Rod Set Screw |

(Other Knee Lifter Parts are listed with parts of machine head).

FEED DOGS

| No. | Plate | Name |
|--------|-------|----------------------------|
| 212829 | 13414 | Feed Dog, for 212828 |
| 212830 | 13414 | " " " 212828 |

PRESSER FEET

| No. | Plate | Name |
|---------|-------|---|
| 200436F | 13494 | Presser Foot Adjusting Screw |
| 200086F | 13414 | " " " " Clamp Screw |
| 221479 | 13404 | Presser Foot Hinge Pin |
| 229685 | 13404 | " " " Stud |
| 260397n | 13494 | " " " " Set Screw |
| 229706 | 13417 | " " Plate (left) |
| 221464 | ----- | " " " " |
| 229707 | 13417 | " " " (right) |
| 221463 | ----- | " " " " |
| 229672 | 11646 | " " Shank (left) with 200086F, 200397n and 200436F ... |
| 229772 | ----- | Presser Foot Shank 229672 with 221479 and 229706 |
| 221465 | ----- | Presser Foot Shank 229672 with 221464 and 221479 |
| 229676 | 13417 | Presser Foot Shank (right) with 200086F |
| 229773 | ----- | Presser Foot Shank 229676 with 221479 and 229707 |
| 221466 | ----- | Presser Foot Shank 229676 with 221463 and 221479 |
| 200086F | 13414 | Presser Foot Shank (right) Set Screw |
| 229708 | 13417 | Presser Foot (hinged) (wide) com- plete, Nos. 229685, 229772 and 229773 |
| 221467 | 13417 | Presser Foot (hinged) complete, Nos. 221465, 221466 and 229685 ... |

THROAT PLATES

| No. | Plate | Name |
|--------|-------|--|
| 212828 | 13414 | Throat Plate with 212869 and two 200587E, for 212829 and 212830 .. |
| 212869 | 13418 | Throat Plate Needle Guard |

PIERCERS

| | | |
|--------|-------|-------------------------|
| 213832 | 13414 | Auxiliary Piercer |
| 213833 | 13414 | " " |
| 213834 | 13414 | " " |
| 213830 | 13414 | Piercer |
| 213831 | 13414 | " |

Note: Nos. 213830 to 213834 made for 8 stitches to the inch.

HEMMERS

| No. | Plate | Name |
|--------|-------|---|
| 230192 | 11649 | Hemmer on Shank, for hems $\frac{1}{4}$ to $\frac{1}{2}$ inch |

Note: State width required on order.

HEMMER (REVERSE)

| | | |
|--------|-------|---|
| 230190 | 11649 | Hemmer on Shank, for hems $\frac{1}{4}$ to $\frac{1}{2}$ inch |
|--------|-------|---|

Note: State width required on order.

HEMMER

(Right Hand)

Folds $\frac{1}{8}$ in. Hem.

| | | |
|---------|-------|--|
| 230534 | 14608 | Base Plate with 225706 |
| 225706 | 13410 | " " Position Pin |
| 200246B | 13410 | " " Screw |
| 201525E | 13402 | " " " Nut |
| 225708 | 13410 | " " Spring |
| 230713 | 11650 | Folder on Shank |
| 200187B | 13410 | " " " Screw |
| 230484 | 13410 | " " " " Washer |
| 230714 | 11651 | Tongue with two 200133B |
| 200133B | 13410 | " Screw |
| 230711 | 11652 | Hemmer complete, Nos. 200246B, 201525E, 225708, 230484, 230534, 230713, 230714 and two 200187B.. |

HEMMER

(Right Hand)

Folds $\frac{1}{8}$ in. Hem.

| | | |
|---------|-------|-------------------------------|
| 230534 | 14608 | Base Plate with 225706 |
| 225706 | 13410 | " " Position Pin |
| 200246B | 13410 | " " Screw |
| 201525E | 13402 | " " " Nut |
| 225708 | 13410 | " " Spring |
| 230715 | 11650 | Folder on Shank |
| 200187B | 13410 | " " " Screw |
| 230484 | 13410 | " " " " Washer |
| 230716 | 11651 | Tongue with two 200103D |
| 200103D | 13410 | " Screw |

Hemmers

| No. | Plate | Name |
|--------|-------|---|
| 230712 | 11652 | Hemmer complete, Nos. 200246B, 201525E, 225708, 230484, 230534, 230715, 230716 and two 200187B .. |

HEMMER

(Right Hand)

Folds Hems from $\frac{3}{8}$ to $\frac{1}{4}$ in., in steps of $\frac{1}{16}$ inch.

Note: State width of hem required.

| | | |
|---------|-------|--|
| 230534 | 14608 | Base Plate with 225706 |
| 225706 | 13410 | " " Position Pin |
| 200246B | 13410 | " " Screw |
| 201525E | 13402 | " " " Nut |
| 225708 | 13410 | " " Spring |
| 230532 | 14608 | Folder on Shank |
| 200187B | 13410 | " " " Screw |
| 230484 | 13410 | " " " Washer |
| 230533 | 14608 | Tongue with two 200133B |
| 200133B | 13410 | " Screw |
| 230535 | 14609 | Hemmer complete, Nos. 200246B, 201525E, 225708, 230484, 230532 to 230534 and two 200187B |

HEMMER

(Right Hand)

Folds Hems from $\frac{5}{8}$ to $2\frac{1}{2}$ in., in steps of $\frac{1}{16}$ inch.

Note: State width of hem required.

| | | |
|---------|-------|---|
| 230534 | 14608 | Base Plate with 225706 |
| 225706 | 13410 | " " Position Pin |
| 200246B | 13410 | " " Screw |
| 201525E | 13402 | " " " Nut |
| 225708 | 13410 | " " Spring |
| 230540 | 11650 | Folder on Shank |
| 200187B | 13410 | " " " Screw |
| 230484 | 13410 | " " " Washer |
| 230539 | 11651 | Tongue with two 200103D |
| 200103D | 13410 | " Screw |
| 230542 | 14609 | Hemmer complete, Nos. 200246B, 201525E, 225708, 230484, 230534, 230539, 230540 and two 200187B .. |

HEMMER (REVERSE)

(Right Hand)

Folds Hems from $\frac{1}{4}$ to $2\frac{3}{4}$ in., in steps of $\frac{1}{16}$ inch.

Note: State width of hem required.

| | | |
|---------|-------|------------------------------|
| 230756 | 11651 | Base Plate with 225706 |
| 225706 | 13410 | " " Position Pin |
| 200246B | 13410 | " " Screw |

Hemmers

| No. | Plate | Name |
|---------|-------|---|
| 201525E | 13402 | Base Plate Screw Nut |
| 225708 | 13410 | " " Spring |
| 230537 | 14608 | Folder on Shank |
| 200187B | 13410 | " " " Screw |
| 230484 | 13410 | " " " Washer |
| 230536 | 14608 | Tongue with two 200103D |
| 200103D | 13410 | " Screw |
| 230538 | 11652 | Hemmer (reverse) complete, Nos. 200246B, 201525E, 225708, 230484, 230536, 230537, 230756 and two 200187B |

HEMMER (ADJUSTABLE)

(Right Hand)

Folds Hems from $\frac{1}{2}$ to $2\frac{1}{4}$ inches.

| | | |
|---------|-------|--|
| 230524 | 14606 | Base Plate with 225706 |
| 225706 | 13410 | " " Position Pin |
| 200246B | 13410 | " " Screw |
| 201525E | 13402 | " " " Nut |
| 225708 | 13410 | " " Spring |
| 230519 | 14606 | Bracket (lower) with two 200078D .. |
| 200158B | 13410 | " " Screw |
| 230484 | 13410 | " " Washer |
| 230521 | 14606 | " (upper) with 200462B and two 200160B |
| 200078D | 12307 | Bracket (upper) Screw |
| 230518 | 14606 | Folder Arm and Guard (left) |
| 200160B | 13410 | " " " " Screw |
| 230520 | 14606 | " and Arm (right) |
| 200462B | 13410 | " " " " Adjustable Thumb Screw |
| 226163 | 13410 | Folder and Arm (right) Adjustable Thumb Screw Washer |
| 230523 | 14606 | Tongue (left) with two 200164B .. |
| 200164B | 13410 | " " Screw |
| 230522 | 14606 | " (right) with two 200164B |
| 200164B | 13410 | " " Screw |
| 230525 | 14609 | Hemmer (adjustable) complete, Nos. 200246B, 201525E, 225708, 226163, 230484, 230518 to 230524 and two 200158B |

HEMMER (REVERSE) (ADJUSTABLE)

(Right Hand)

Folds Hems from $\frac{1}{2}$ to $2\frac{1}{2}$ inches.

| | | |
|---------|-------|------------------------------|
| 230529 | 11607 | Base Plate with 225706 |
| 225706 | 13410 | " " Position Pin |
| 200246B | 13410 | " " Screw |

LAP SEAM FELLER

(ADJUSTABLE)

For Joining Lace to Cloth or Two Pieces of Cloth with
Double Hemstitch.

| No. | Plate | Name |
|---------|-------|--|
| 230258 | 14581 | Folder on Shank (left) |
| 230259 | 14581 | " " " (right) |
| 230260 | 14581 | " Base Plate |
| 200157B | 13410 | " " " Screw |
| 200170B | 13410 | " Screw |
| 230261 | 14581 | Lap Seam Feller (adjustable) com- plete, Nos. 230258 to 230260 and two 200170B |

OBSOLETE PARTS

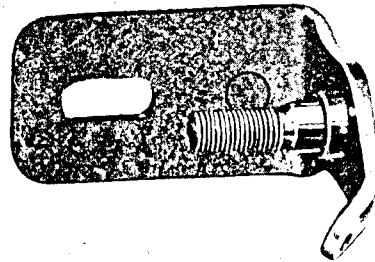
| No. | Plate | Name |
|--------|-------|--|
| 202470 | 12320 | Bobbin Winder Base |
| 202471 | 12320 | " " Frame |
| 202472 | 12319 | " " " Spring |
| 202474 | 12320 | " " Spindle |
| 227522 | 12319 | " " Stop Latch |
| 202477 | 12319 | " " " Thumb Lever |
| 227523 | 12320 | Bobbin Winder complete, Nos. 200056B, 200161D, 200221D, 201537H, 202470 to 202474, 202477, 202478, 227522, three 200299H and two round head wood screws 1 in., No. 13 |
| 202480 | 12320 | Bobbin Winder Spool Holder Base with 200355H and 202484 |
| 202481 | 12320 | Bobbin Winder Spool Holder Base Spool Pin |
| 202482 | 12319 | Bobbin Winder Spool Holder Ten- sion Disc (lower or upper) |
| 202483 | 12319 | Bobbin Winder Spool Holder Ten- sion Disc Spring (brass) |
| 202484 | 12319 | Bobbin Winder Spool Holder Ten- sion Disc Thread Guide |
| 202485 | 12320 | Bobbin Winder Spool Holder com- plete, Nos. 200011E, 202480, 202481, 202483, two 202482 and one wood screw 1 in., No. 13 .. |
| 213290 | 11652 | Face Plate with 200366H, 202087, two each 200368H, 200397H and 202090, for 213291 |
| 213291 | 11652 | Face Plate complete, Nos. 200161D, 200303H, 200577H, 202088, 202872, 213213, 213214, 213231, 213266, 213267, 213290, 234703, two each 200290H, 201537H, 204059, 213872 and 225604 |
| 203250 | 13418 | Hook Driving Shaft Collar with two 200393C |
| 213198 | 13410 | Needle Vibrating Cam and Gear Driving Gear, 16 teeth, with two 200383C |
| 215697 | 13411 | Needle Vibrating Cam and Gear, 48 teeth, for 215698 |

| No. | Plate | Name |
|---|-------|---|
| 215698 | --- | Needle Vibrating Cam and Gear 215697 with 200062n and 213293... |
| 213811 | 13410 | Piercer Bar Lifting Rock Shaft Bushing |
| Nos. 229681 to 229684, for 229705 and 229727. | | |
| 229681 | 14204 | Presser Foot Bracket |
| 229682 | 14204 | " " Heel Spring |
| 229683 | 14204 | " " " " Post |
| 229684 | 14204 | " " " " Washer |
| 229703 | 14204 | " " Plate (left), for 229769 |
| 229704 | 14204 | " " " (right), for 229795 |
| 206651 | --- | " " Shank (left) with 229949, for 229763 and 229769 ... |
| 229769 | --- | Presser Foot Shank 206651 with 221479 and 229703, for 229705 ... |
| 206652 | --- | Presser Foot Shank (right) with 229949, for 229764 and 229795 ... |
| 229795 | --- | Presser Foot Shank 206652 with 221479 and 229704, for 229705 ... |
| 229705 | 14204 | Presser Foot (hinged) complete, Nos. 206487, 207127, 229681 to 229684, 229769, 229795, two each 200057r, 201536r and 207125, to be used with Presser Bar 204251 |
| 229725 | 13408 | Presser Foot Plate (left), for 229763 |
| 229726 | 13408 | Presser Foot Plate (right), for 229764 |
| 229763 | 13408 | Presser Foot Shank 206651 with 221479 and 229725, for 229727 .. |
| 229764 | 13408 | Presser Foot Shank 206652 with 221479 and 229726, for 229727 .. |
| 229727 | 13408 | Presser Foot (hinged) complete, Nos. 206487, 207127, 229681 to 229684, 229763, 229764, two each 200057r, 201536r and 207125, to be used with Presser Bar 204251 |
| 229731 | 13409 | Presser Foot Plate (left) with 200486n and 213648, for 229791 .. |
| 229732 | 13409 | Presser Foot Plate (right), for 229792 |
| 229791 | 13409 | Presser Foot Shank 207136 with 200175n, 205979, 207140 and 229731, for 229733 |
| 229792 | 13409 | Presser Foot Shank 207137 with 200175n, 205979, 207140 and 229732, for 229733 |

| No. | Plate | Name |
|--------|-------|---|
| 213648 | 13409 | Presser Foot (left) Strip Guide, for 229731 |
| 229733 | 13409 | Presser Foot (hinged) (adjustable) complete, Nos. 207138, 229791, 229792, two each 200112n and 228026, to be used with Presser Bar 221468 |
| 229739 | 13409 | Presser Foot (hinged) (adjustable) complete, Nos. 207138, 229787, 229788, two each 200112n and 228026, to be used with Presser Bar 221468 |

PLATE 10881—FULL SIZE

225461



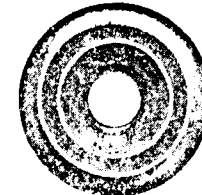
200082



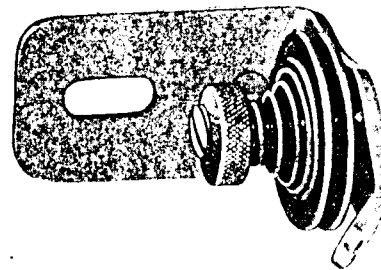
202104



2102



225462



202407



201499



201572



PLATE 10882—FULL SIZE

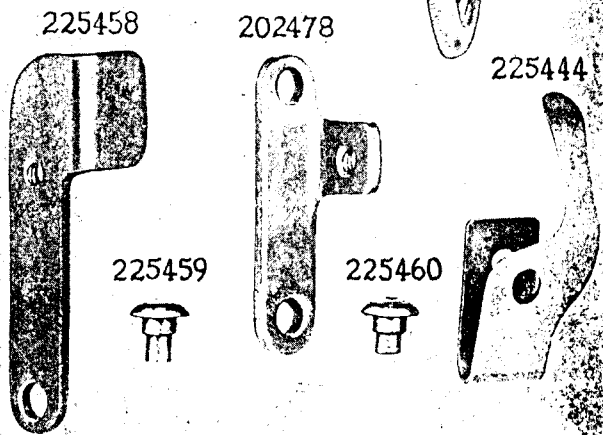
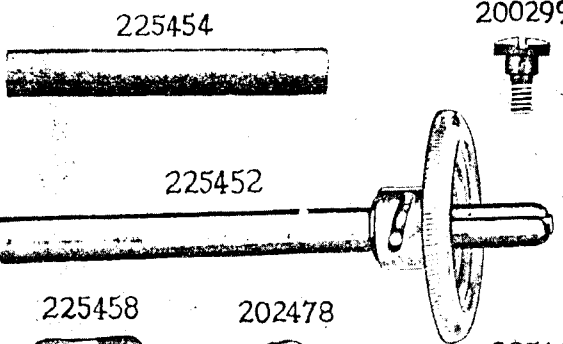
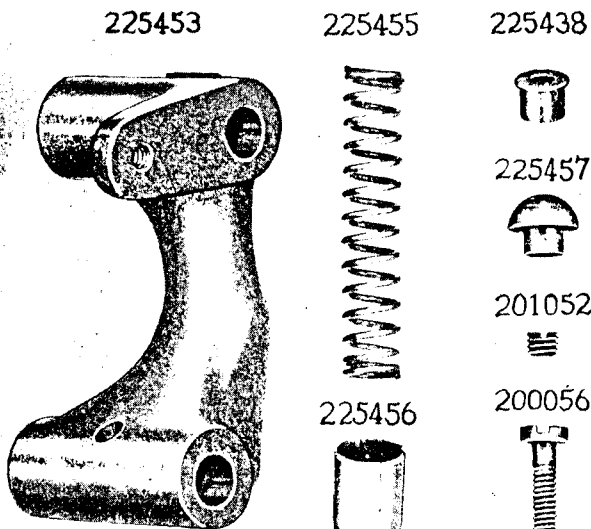


PLATE 10883—ONE-FOURTH SIZE

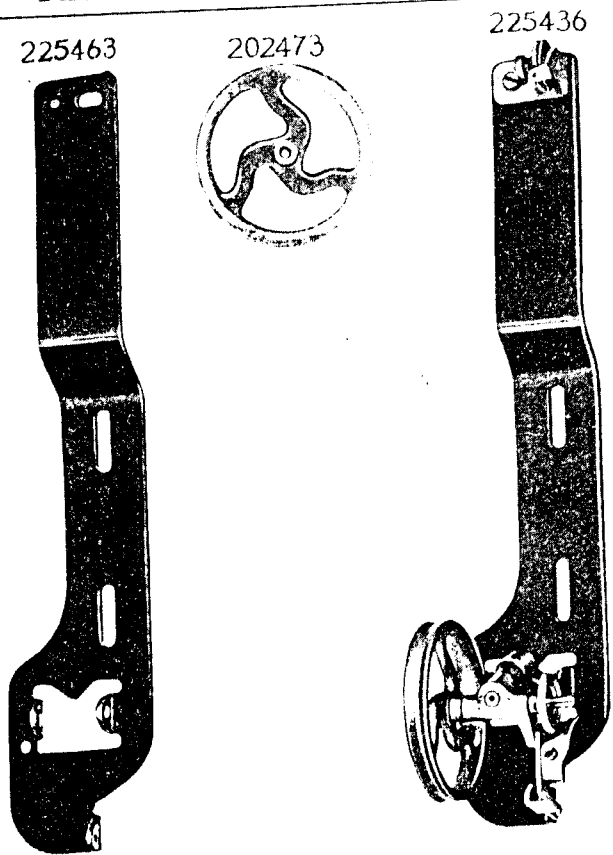


PLATE 10958—ONE-FOURTH SIZE

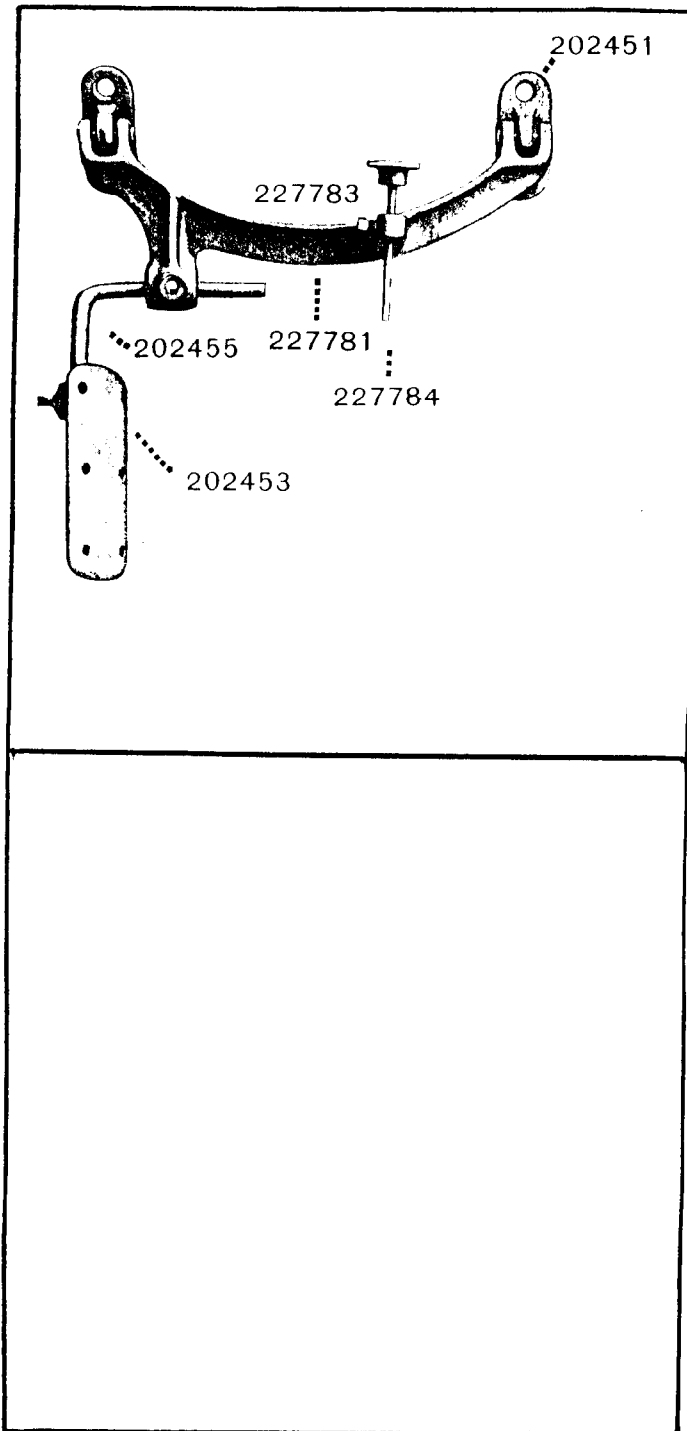


PLATE 11090—FULL SIZE

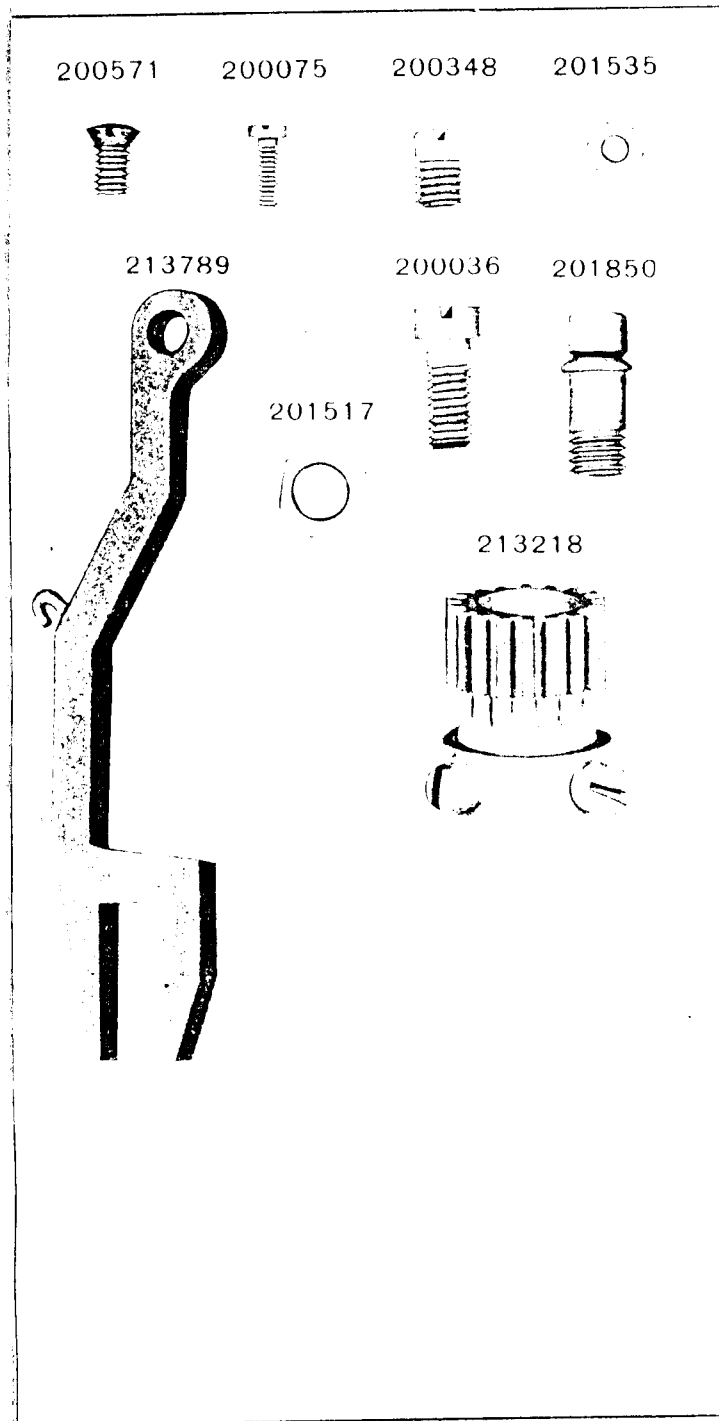
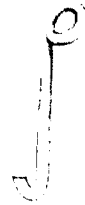
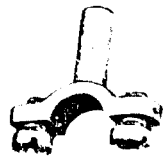


PLATE 11097—FULL SIZE

213261 200117 213266

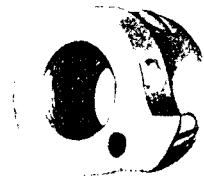


213246



213233

213234



213264

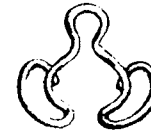
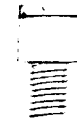


200809



PLATE 11099—FULL SIZE

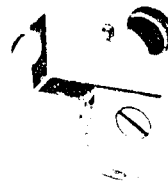
213259 201807 213256



213239



213237



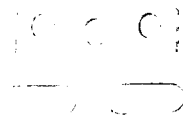
213238



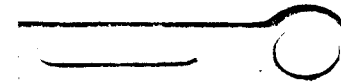
200797



213236



204922



213397

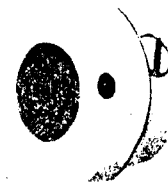


PLATE 11100—FULL SIZE

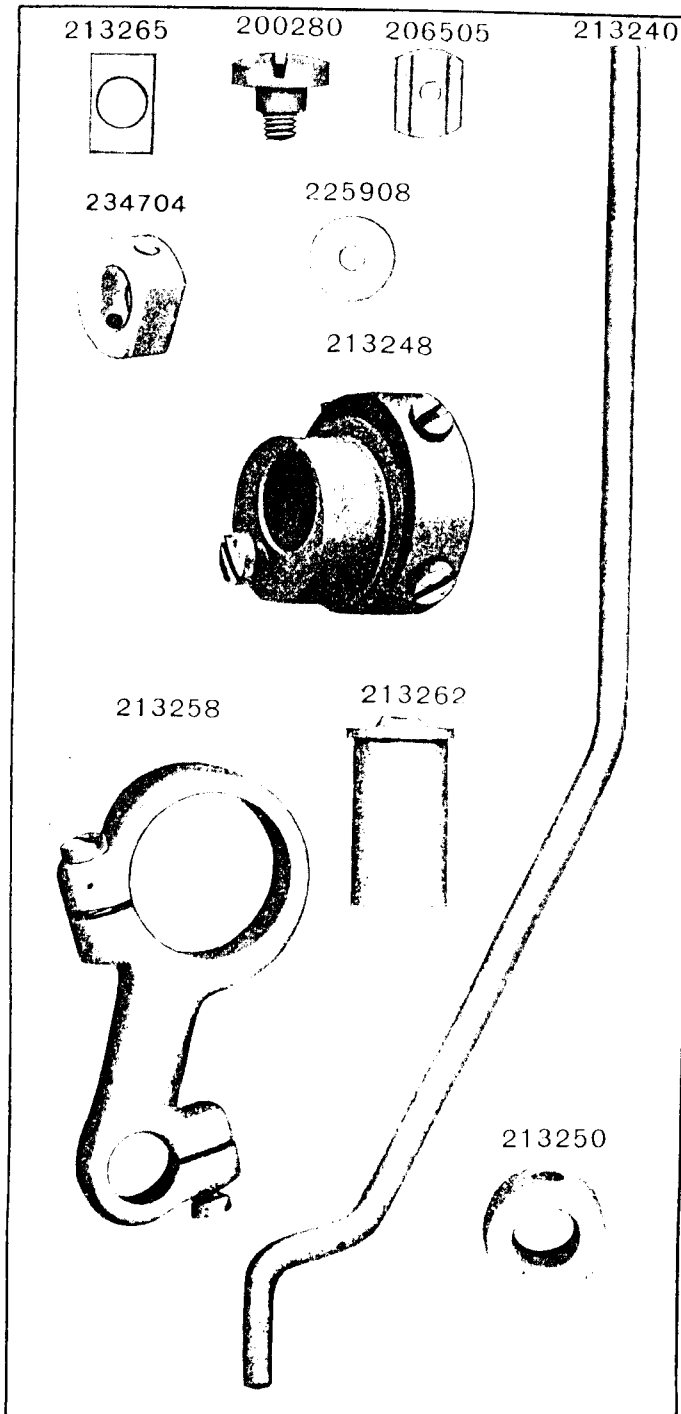


PLATE 11101—FULL SIZE

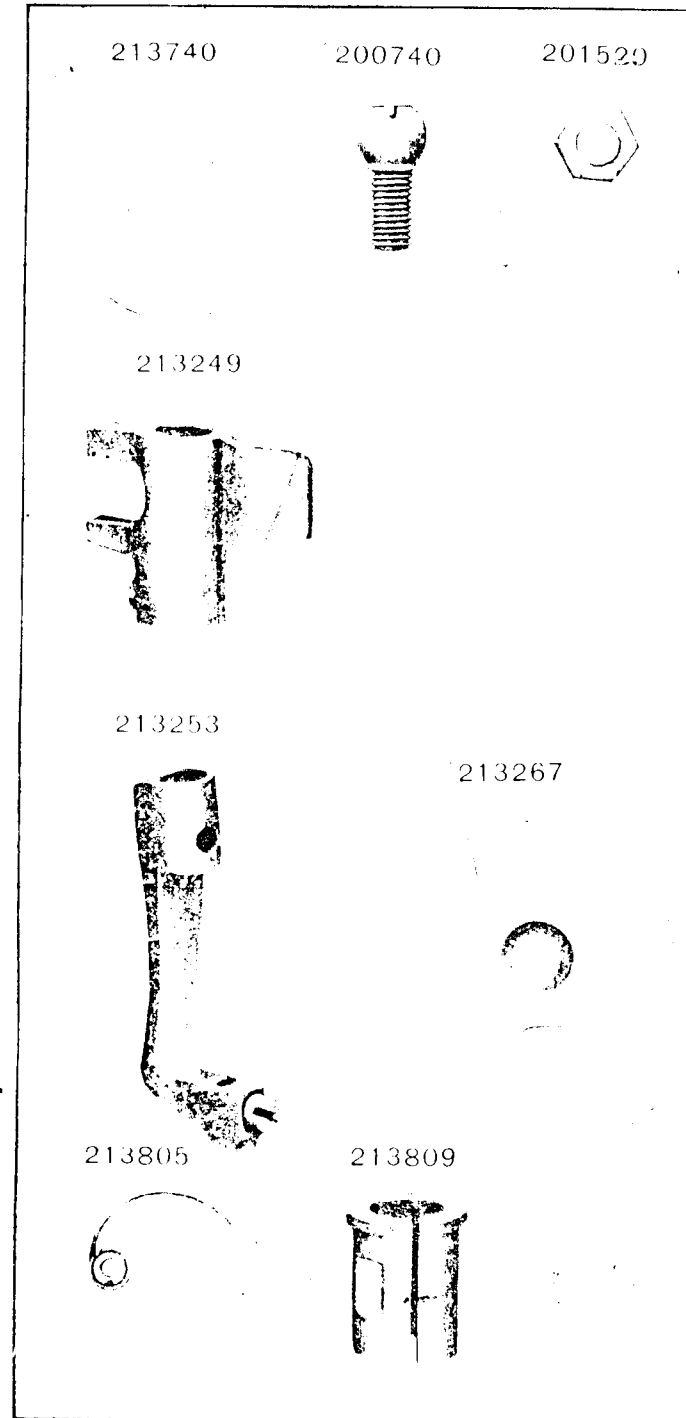


PLATE 11635--FULL SIZE

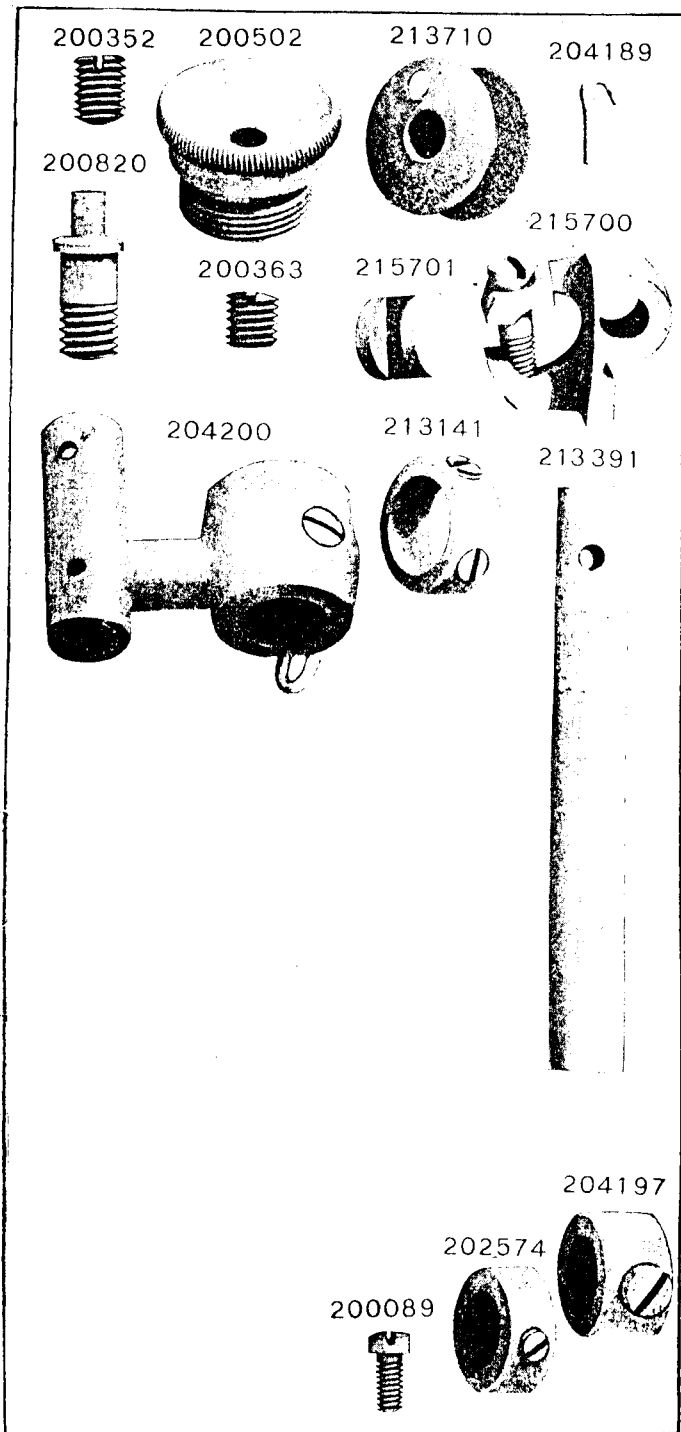


PLATE 11642--FULL SIZE

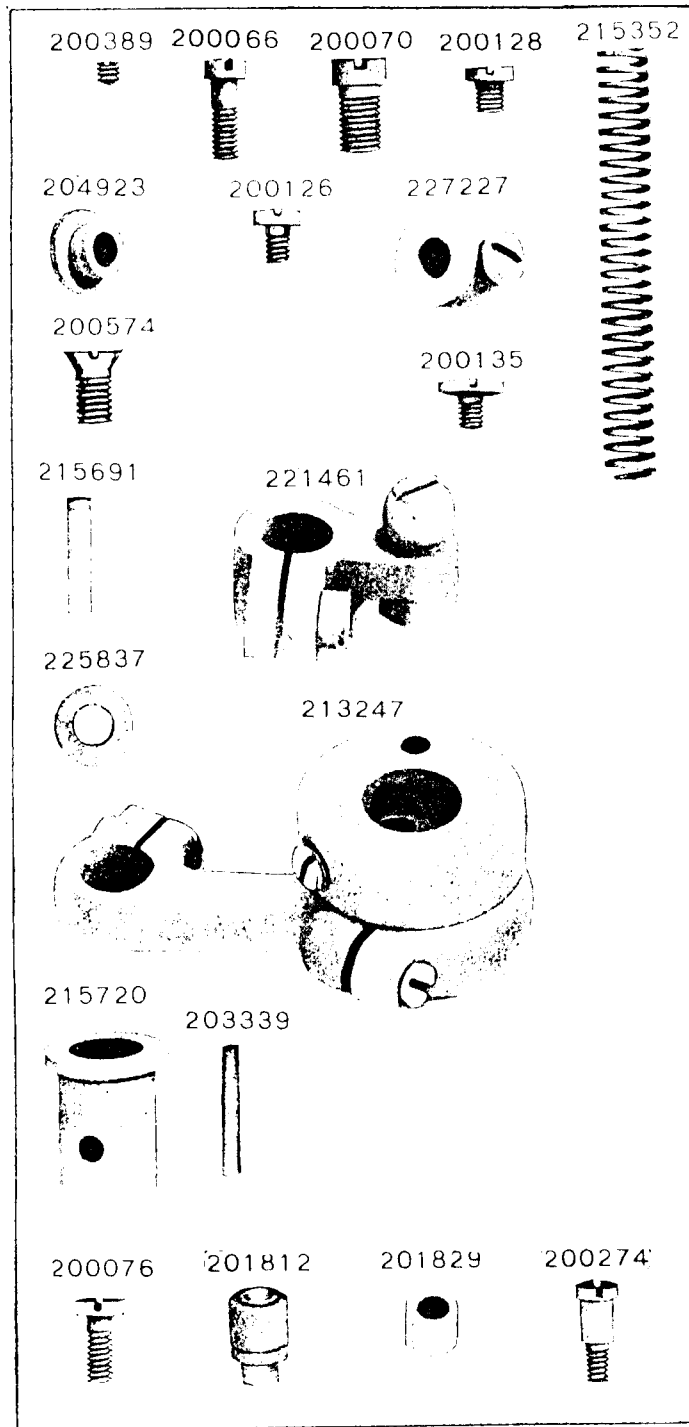


PLATE 11643 FULL SIZE

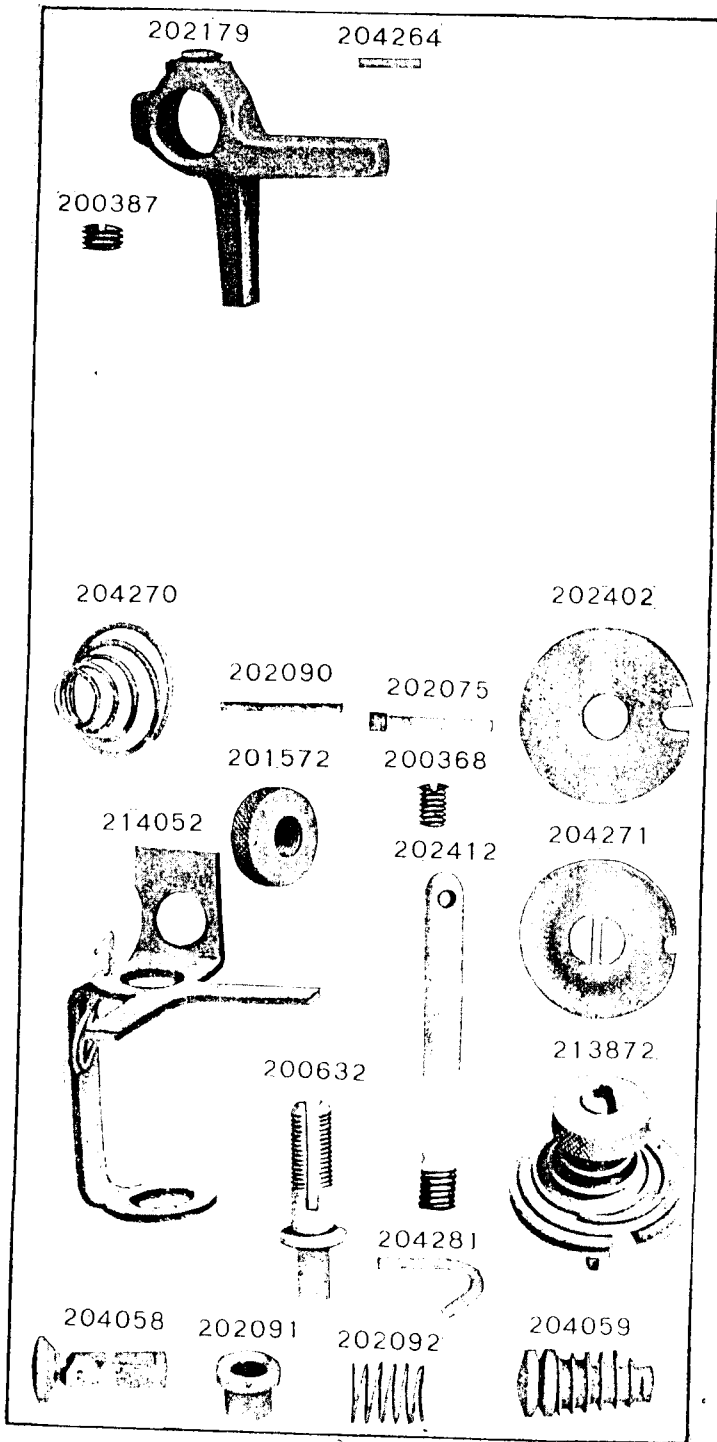


PLATE 11644 FULL SIZE

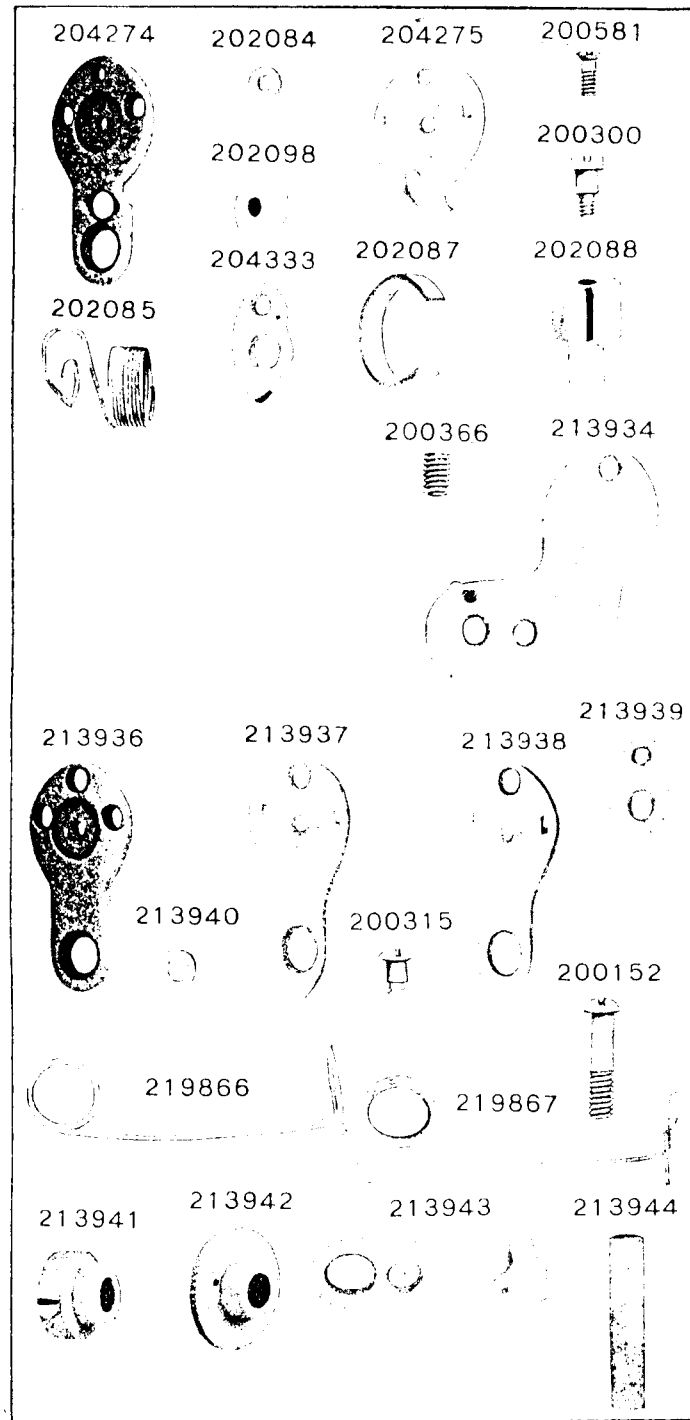


PLATE 11649—FULL SIZE

230190



230192

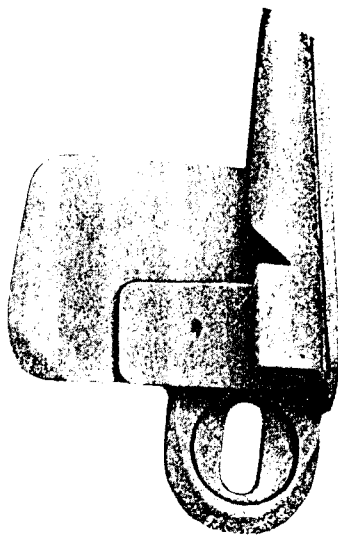
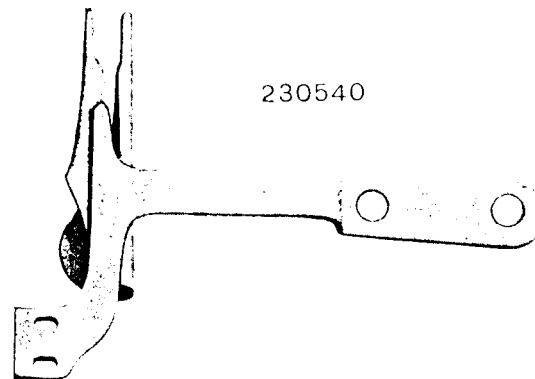
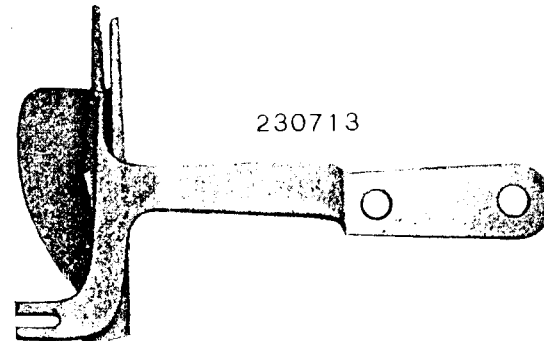


PLATE 11650—ONE-HALF SIZE

230540



230713



230715

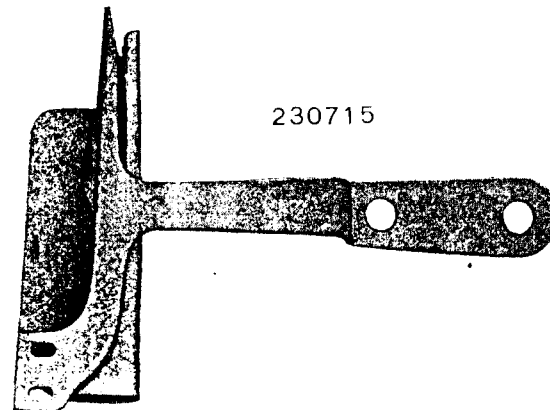
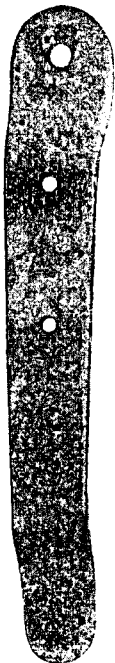


PLATE 11651 ONE-HALF SIZE

230756



230539



230714

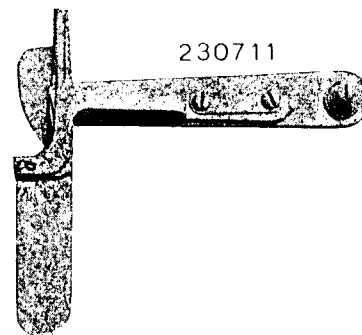


230716

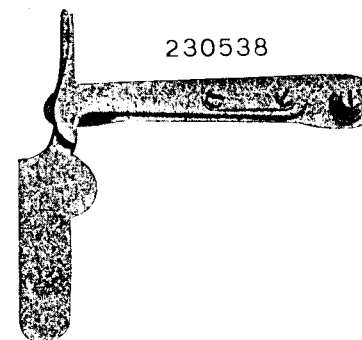


PLATE 11652 ONE-FOURTH SIZE

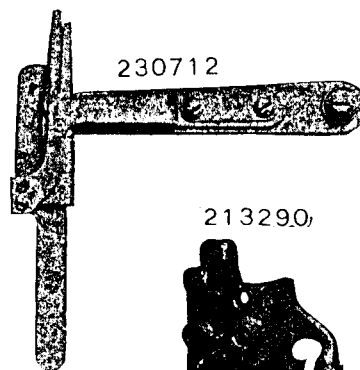
230711



230538



230712



213290



213291

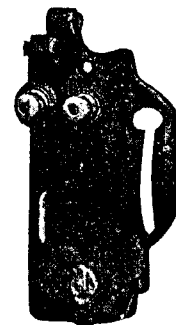


PLATE 12153-ONE-HALF SIZE

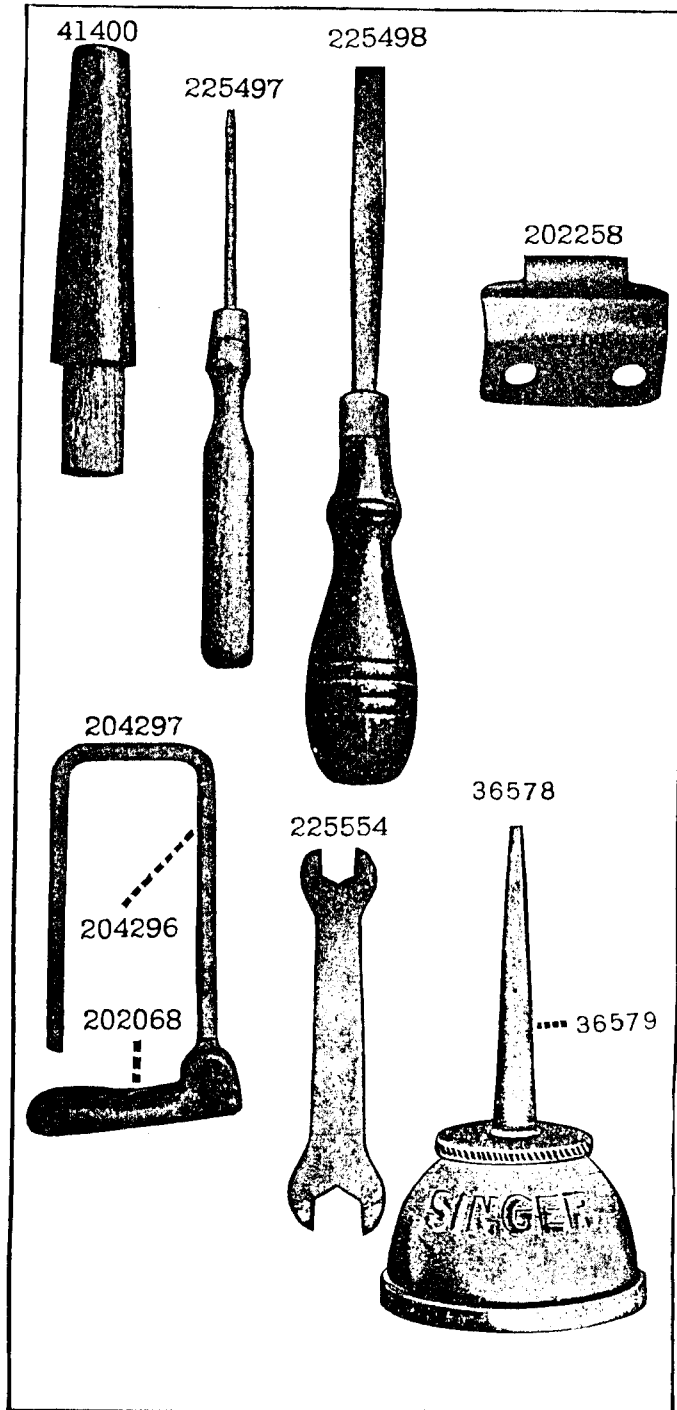


PLATE 12307-FULL SIZE

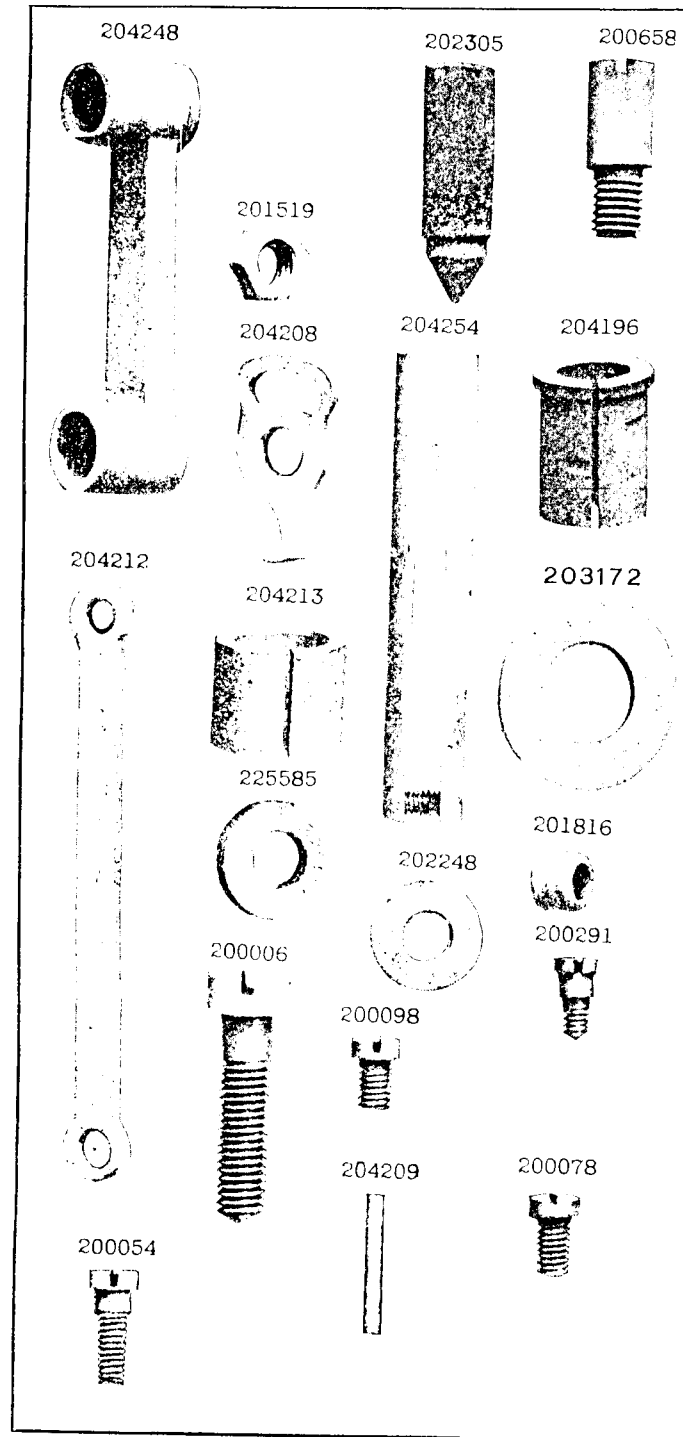


PLATE 12311-FULL SIZE

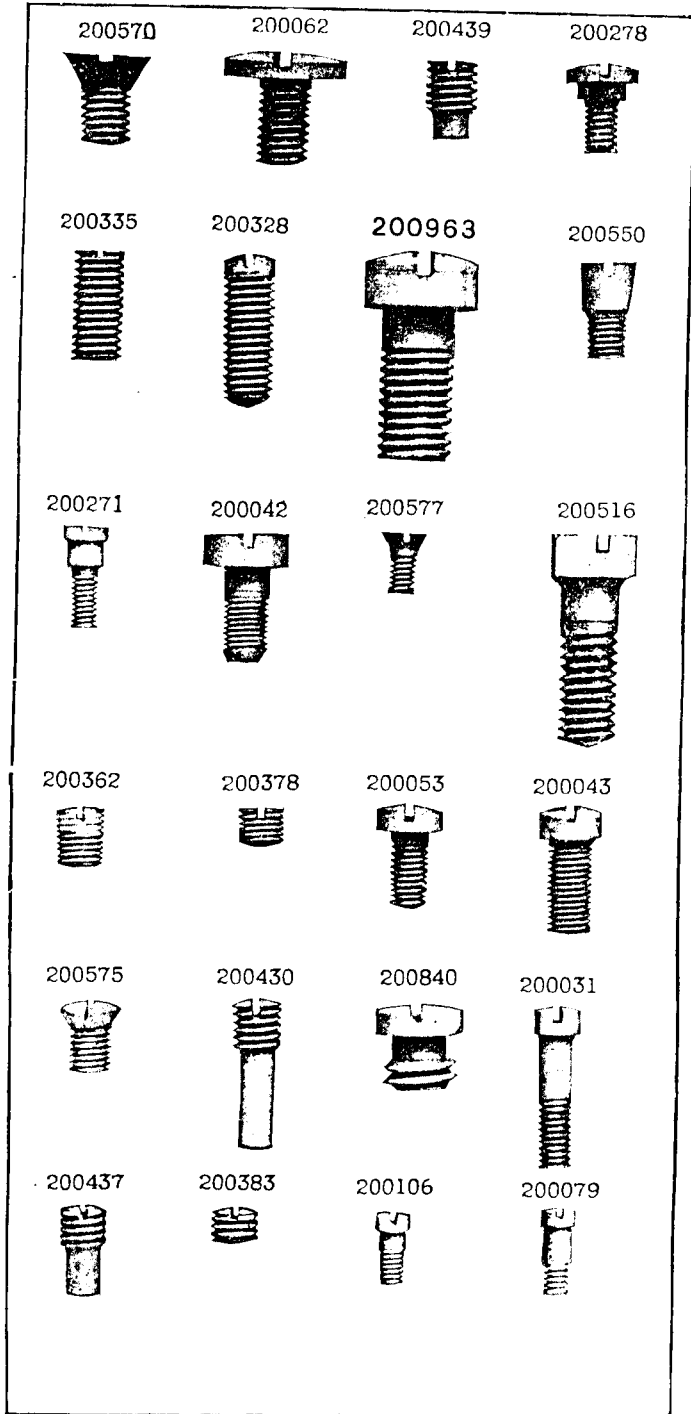


PLATE 12312 -FULL SIZE

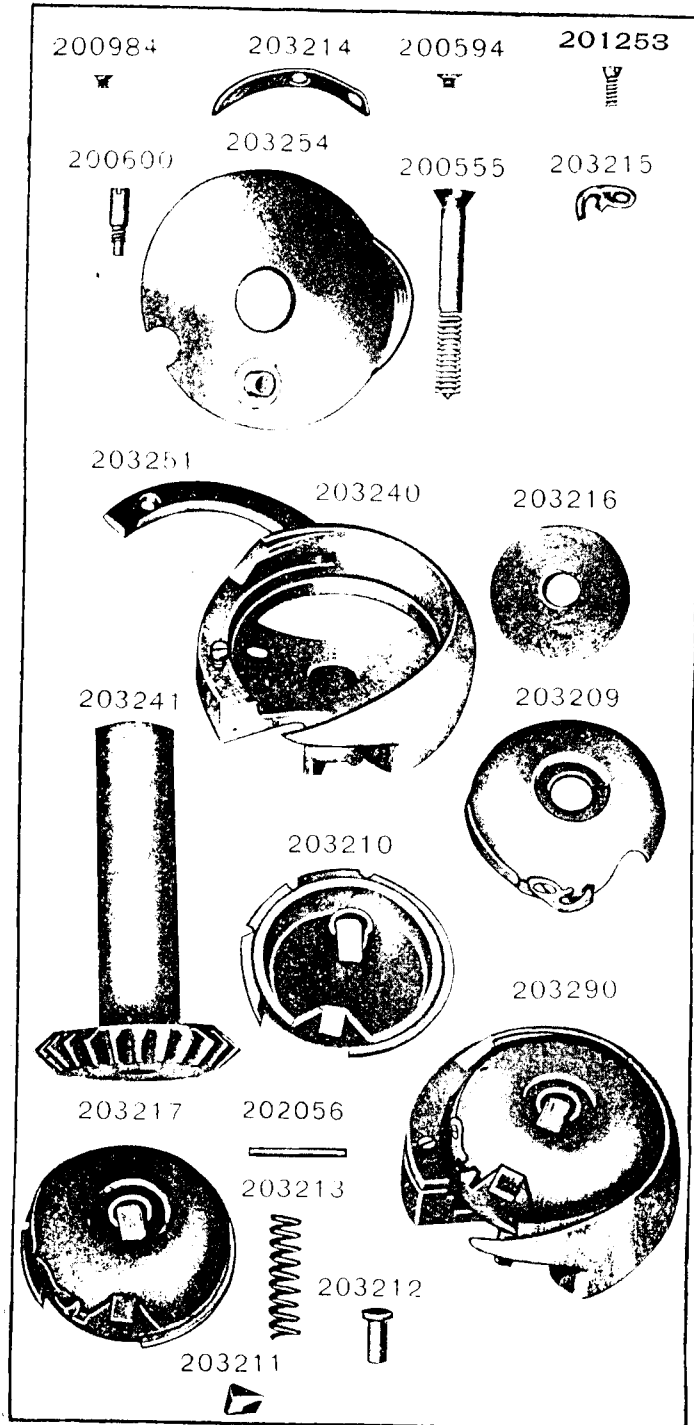
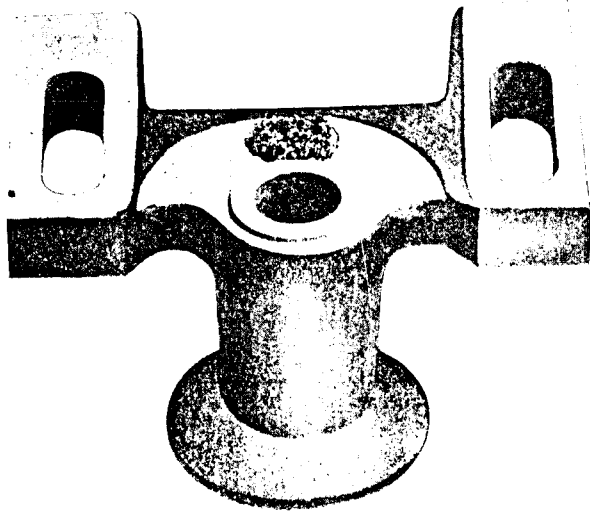


PLATE 12335—FULL SIZE

203307



203308

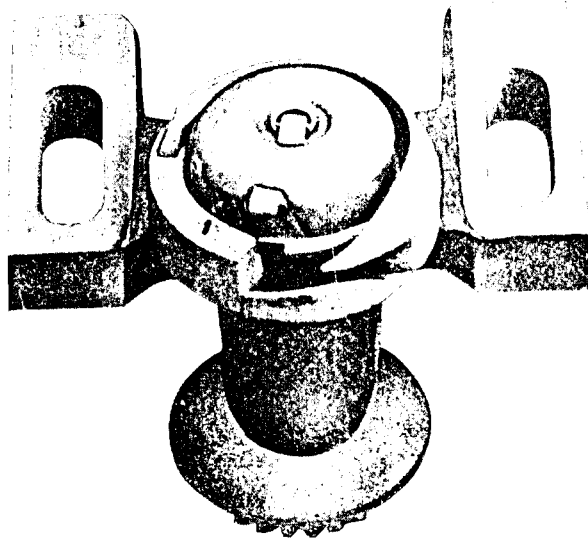
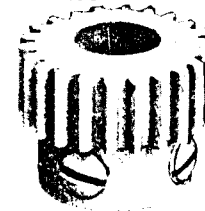


PLATE 12344—FULL SIZE

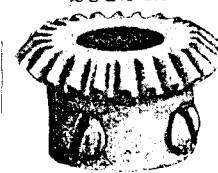
203249



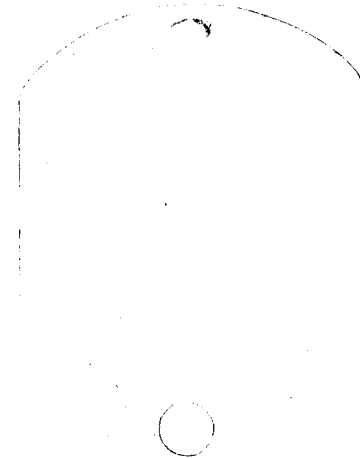
203246



203242



204163



200491



203245

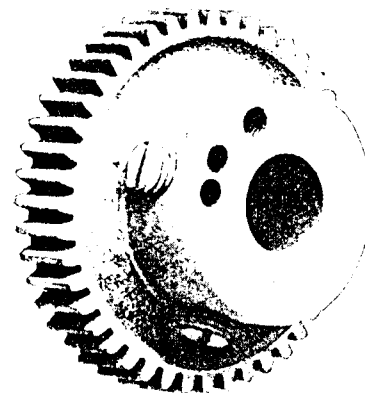


PLATE 13401—ONE-HALF SIZE

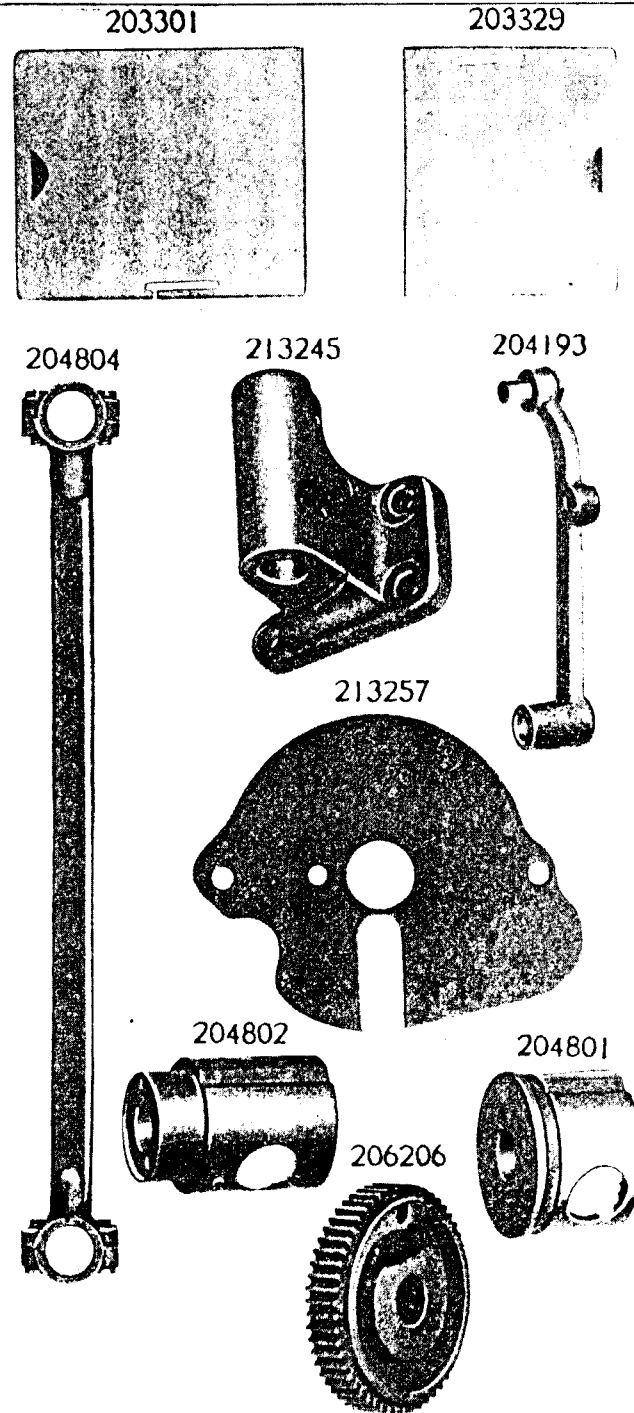


PLATE 13402—FULL SIZE

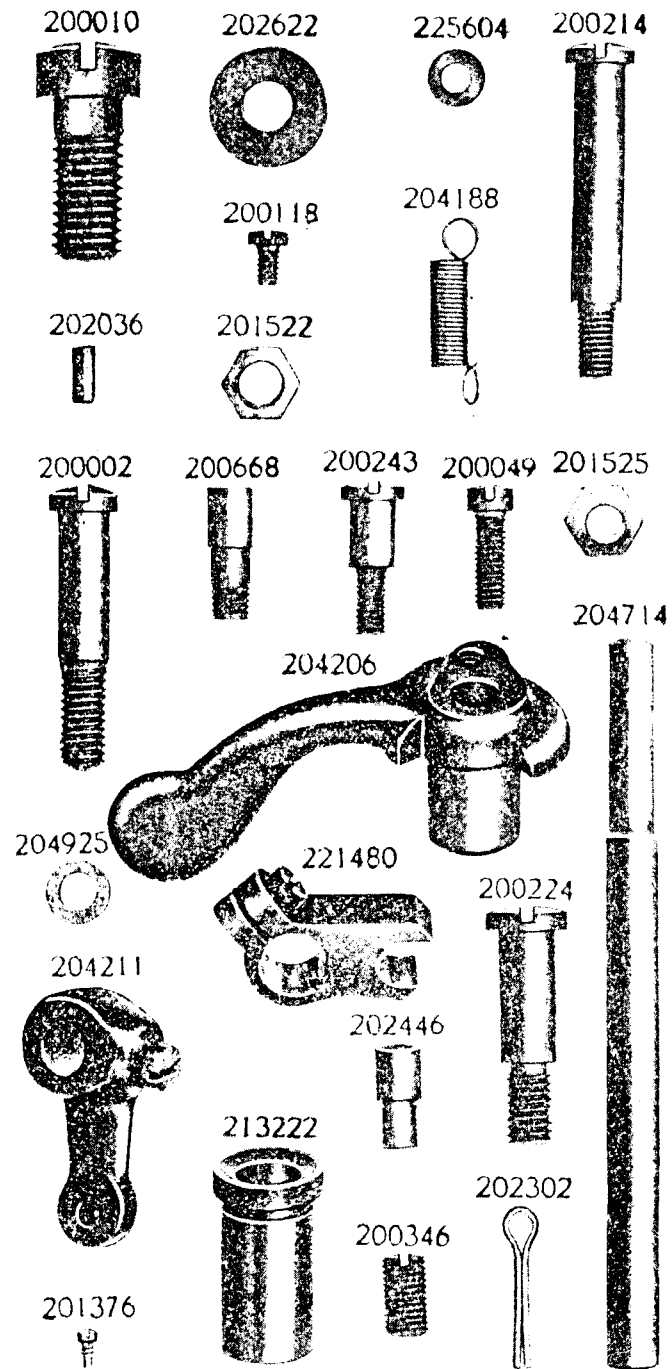


PLATE 13409—FULL SIZE

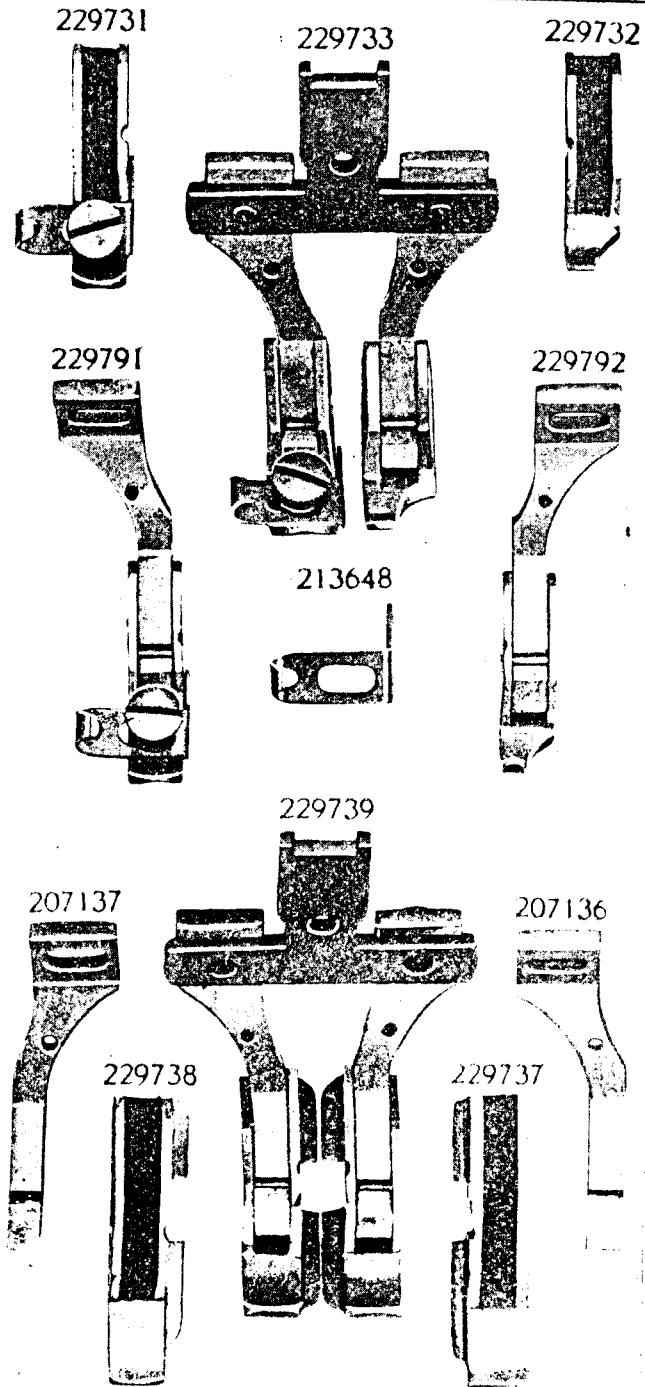


PLATE 13410—FULL SIZE

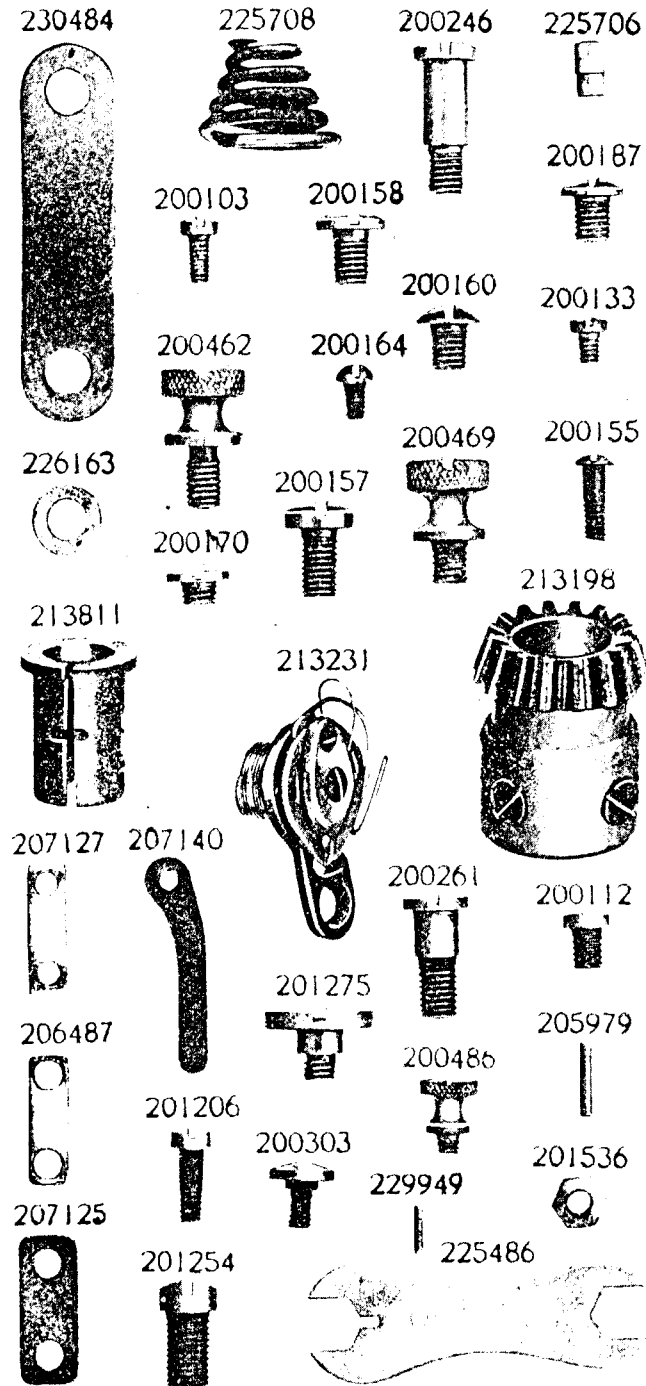


PLATE 13414—FULL SIZE

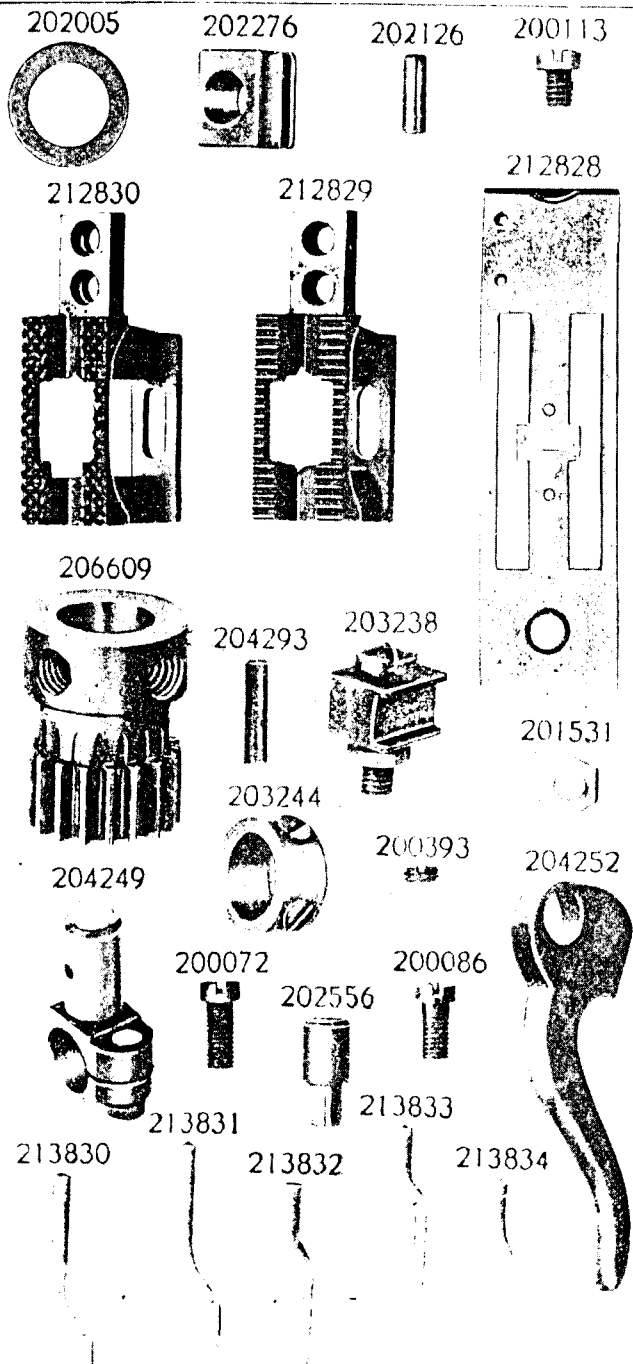


PLATE 13415—ONE-FOURTH SIZE

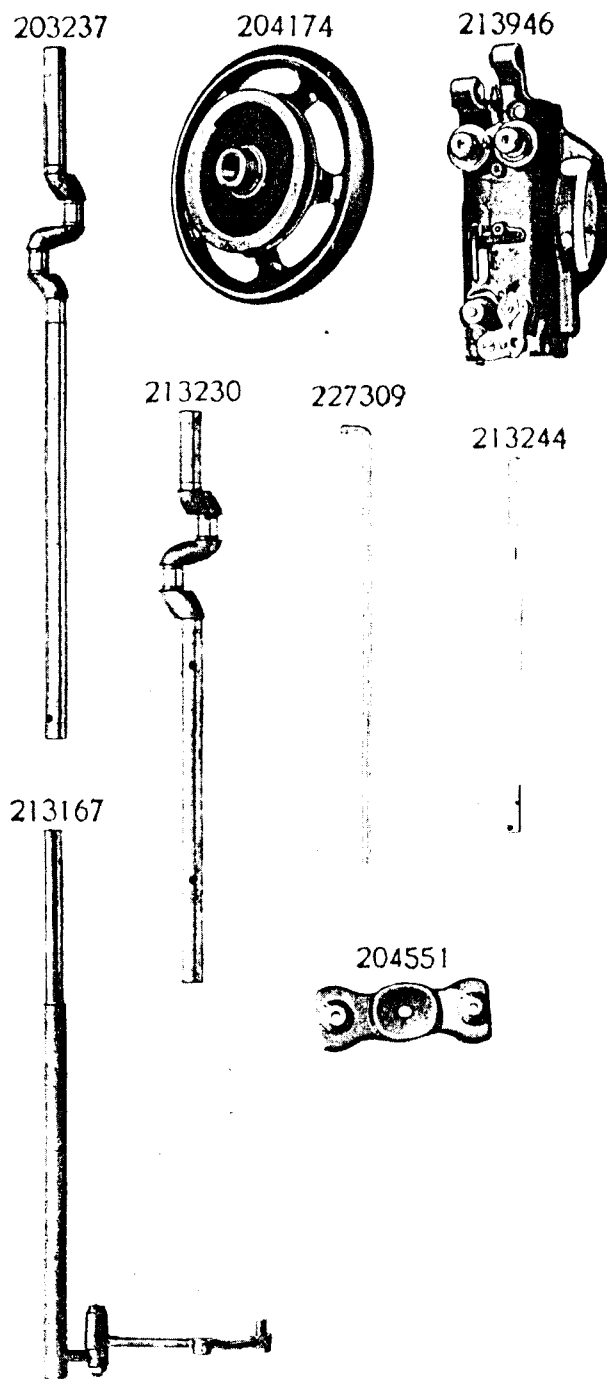


PLATE 13416—ONE-HALF SIZE

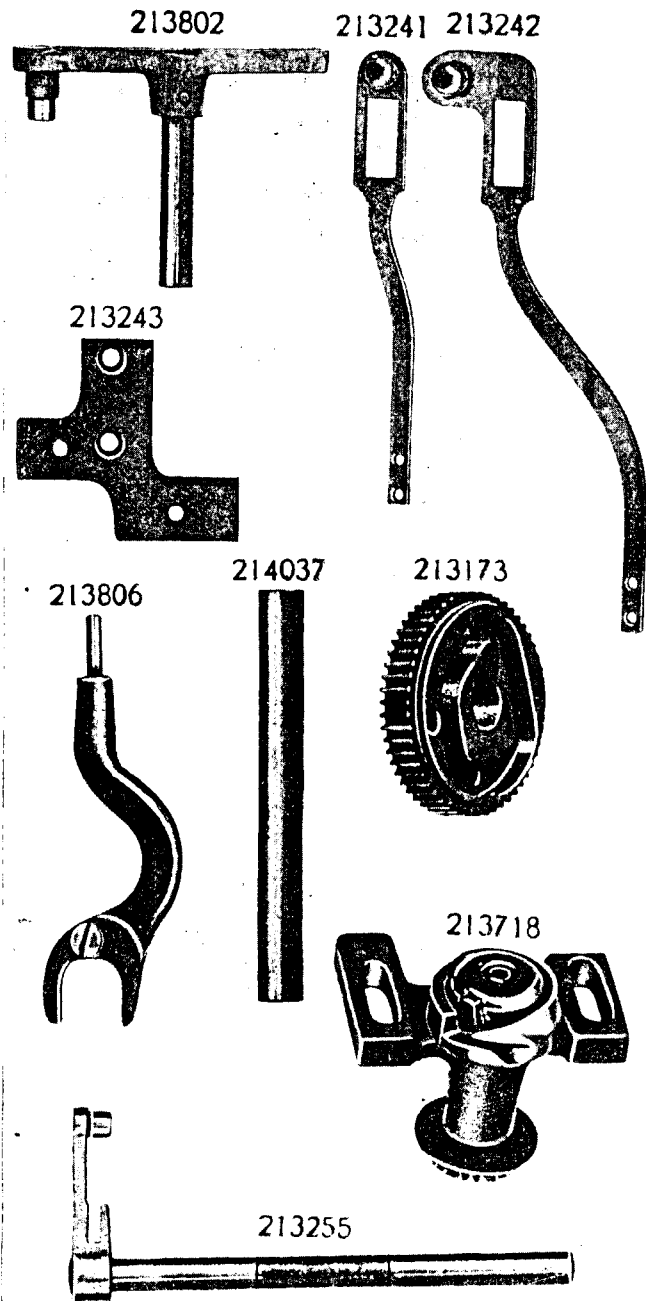


PLATE 13417—FULL SIZE

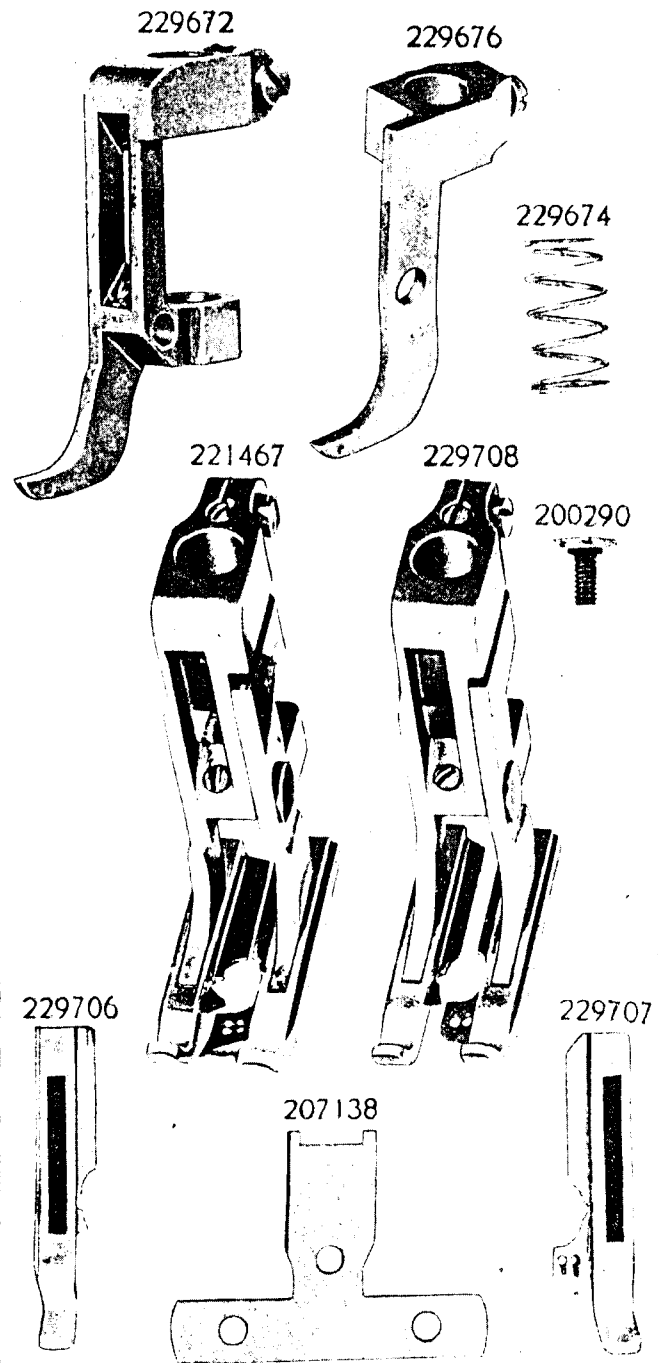


PLATE 13418—FULL SIZE

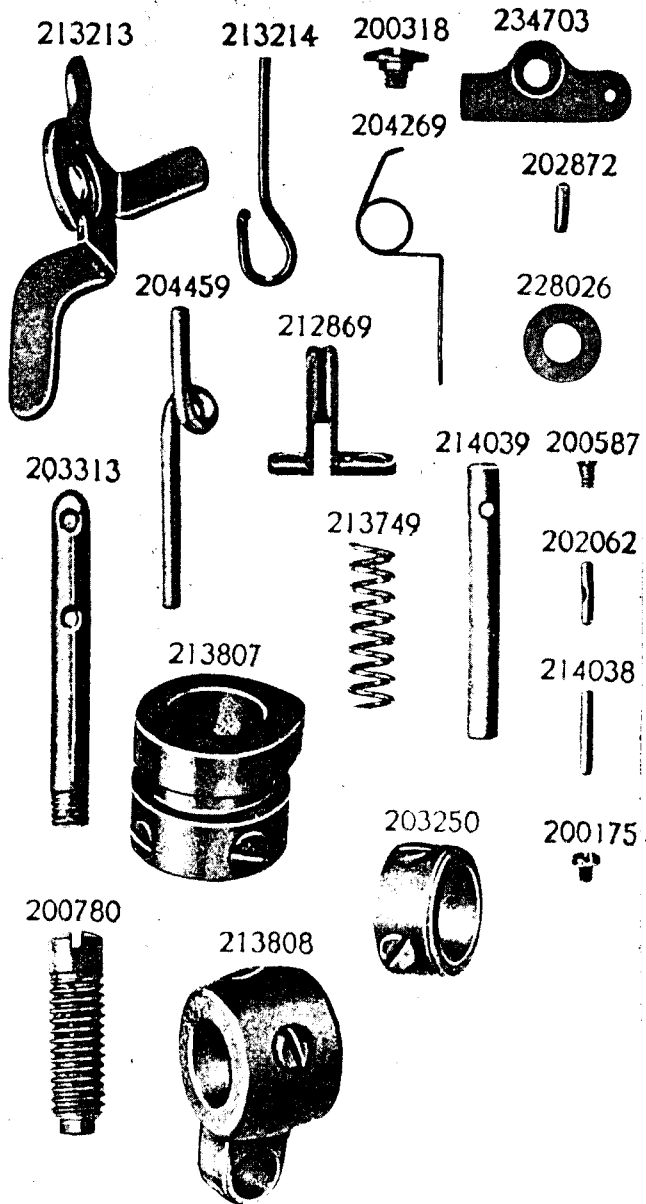


PLATE 14204—FULL SIZE

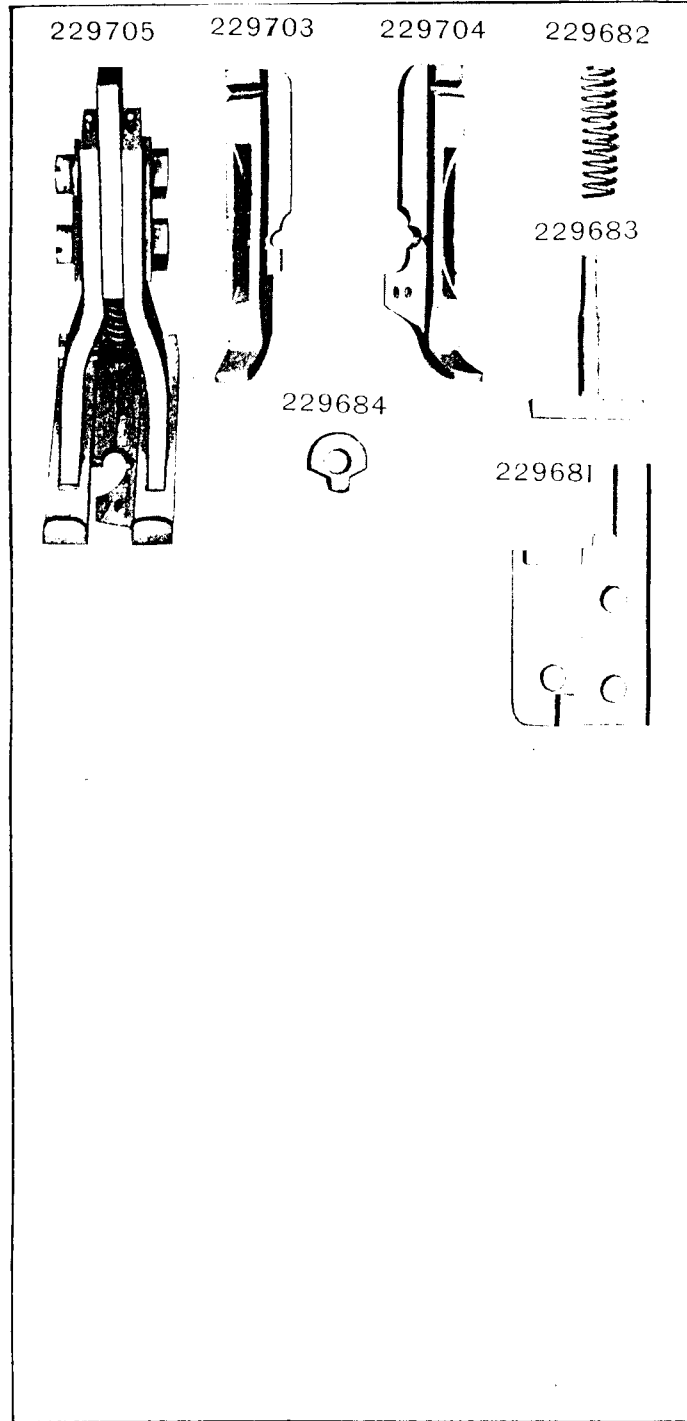


PLATE 14526—ONE-HALF SIZE

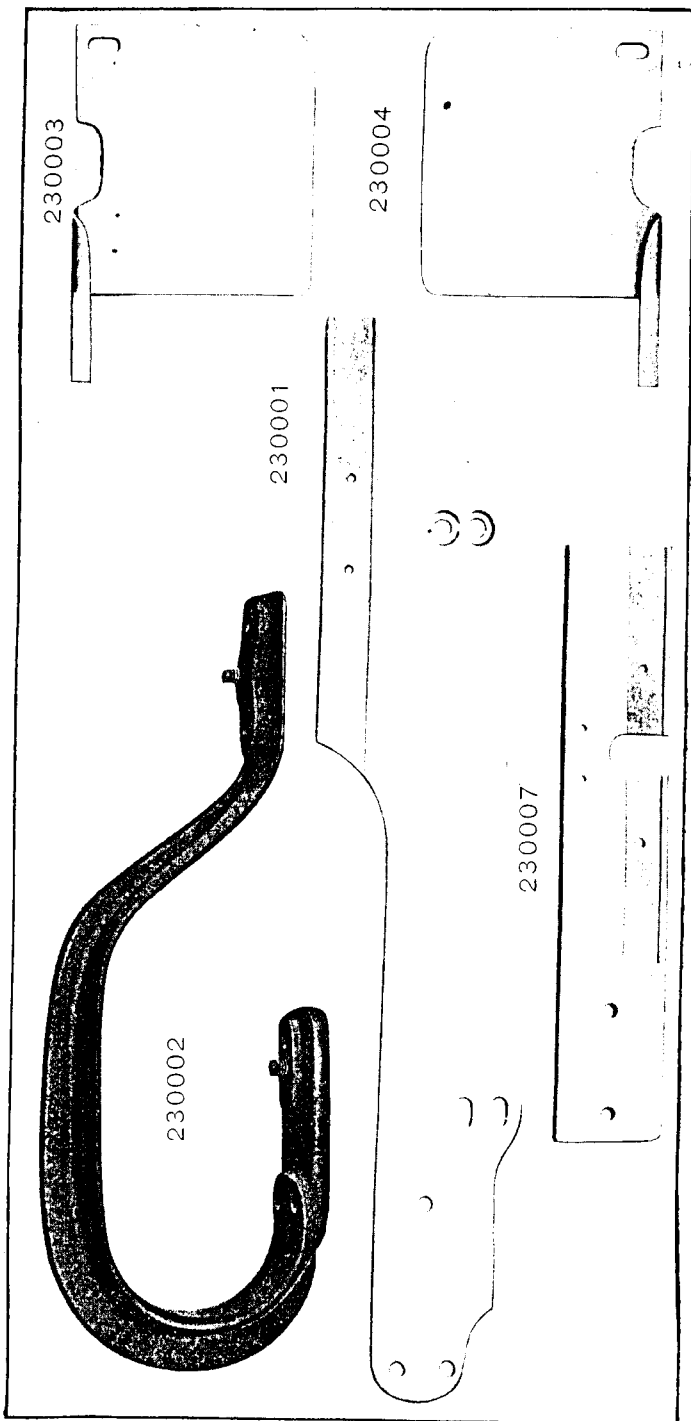


PLATE 14527—FULL SIZE

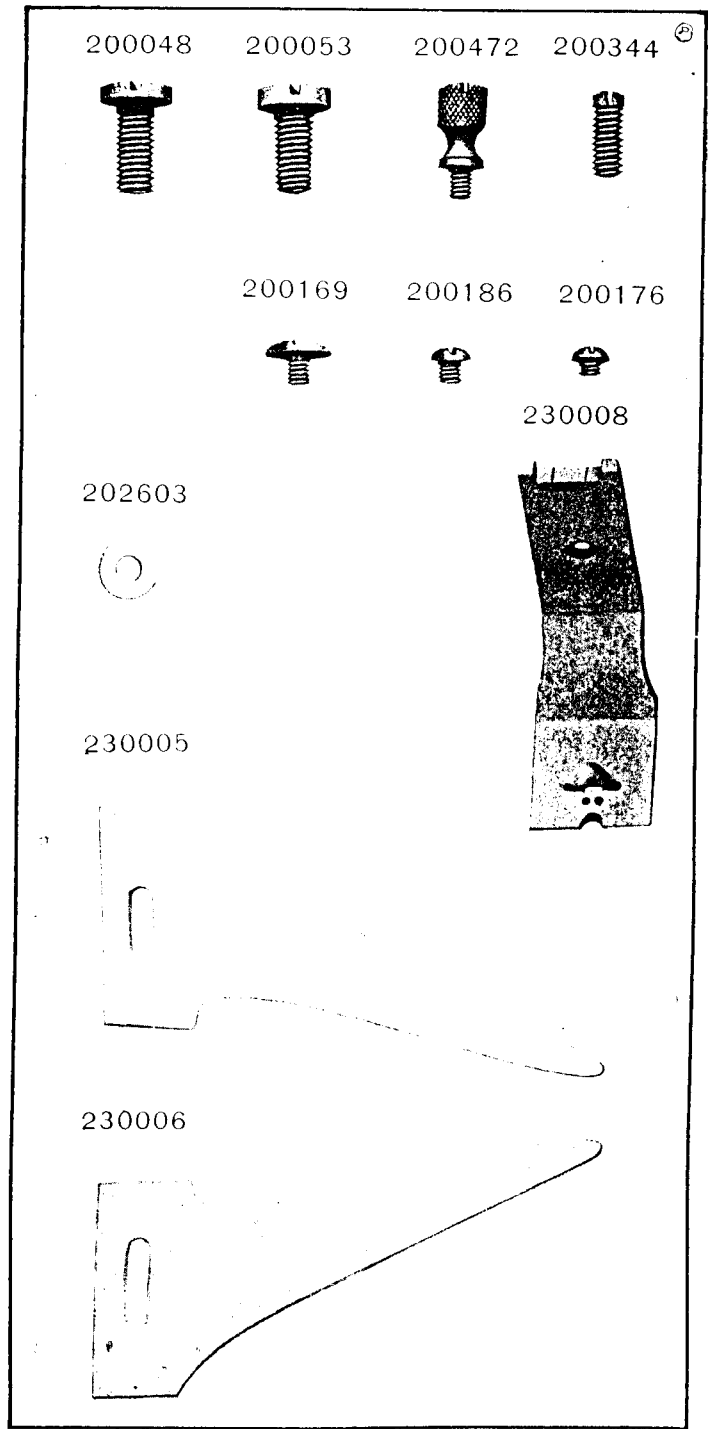
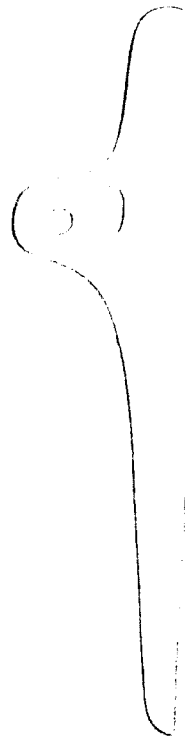


PLATE 14528—FULL SIZE

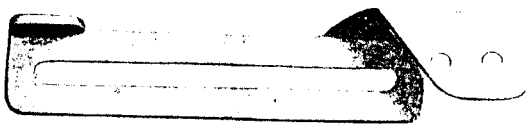
230010



230009



230013



230011

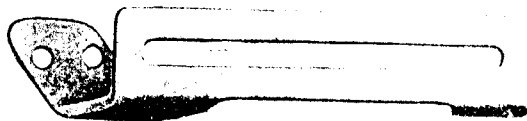
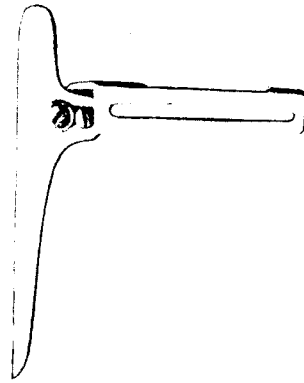


PLATE 14529—ONE-HALF SIZE

230014



230015

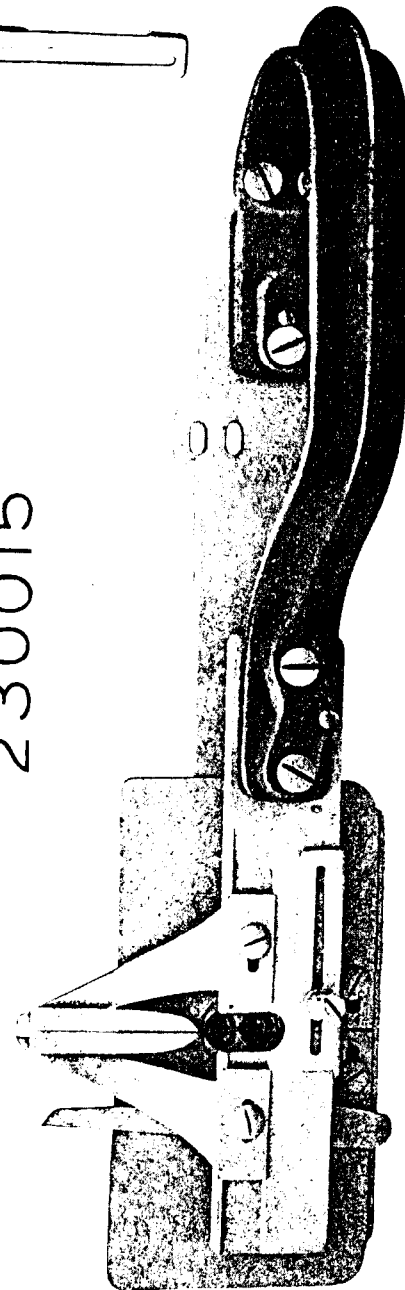


PLATE 14581 - FULL SIZE

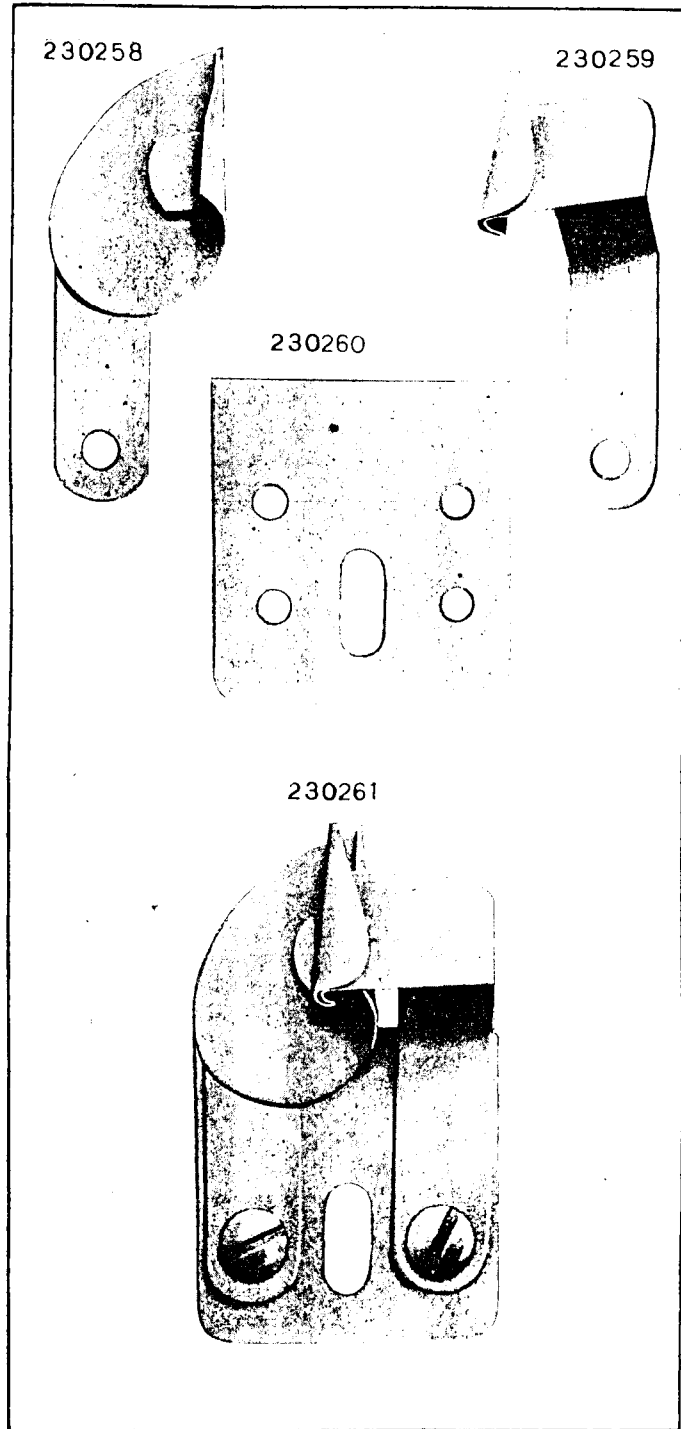


PLATE 14605 ONE-HALF SIZE

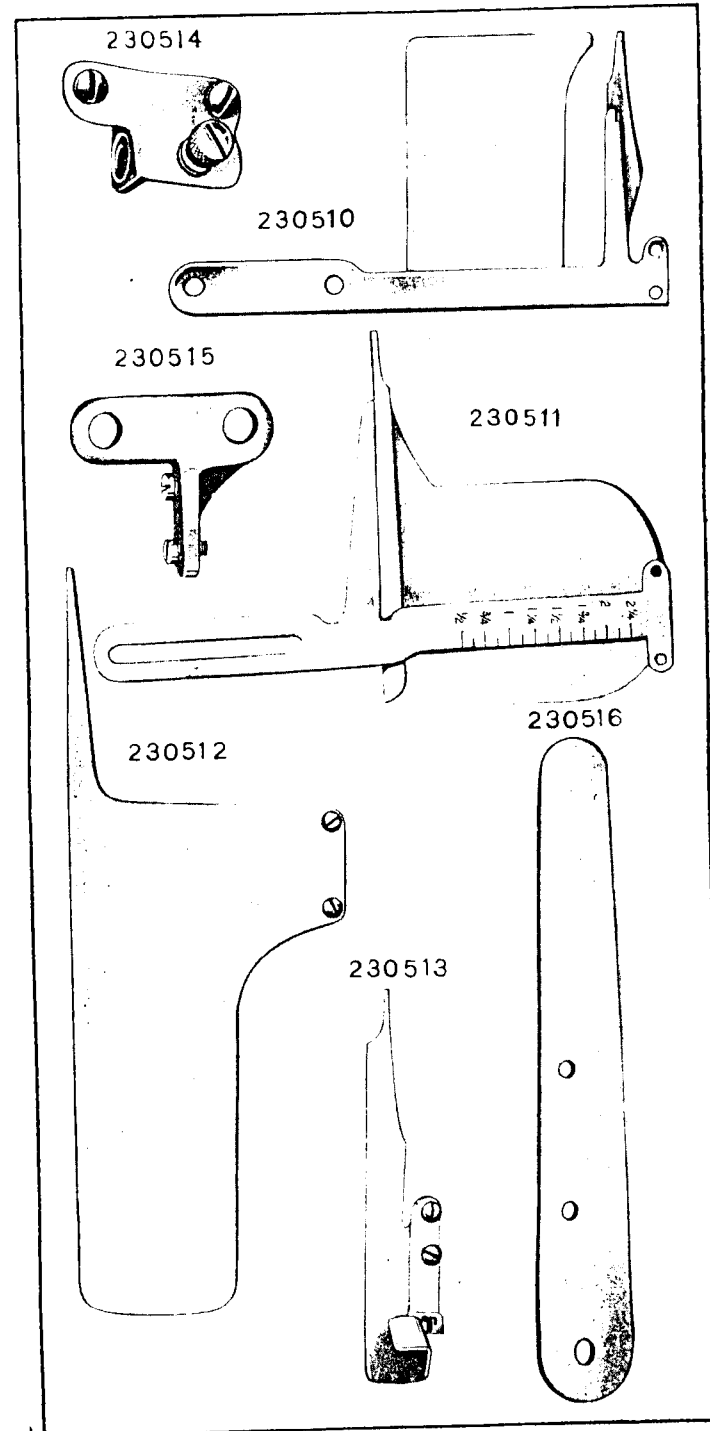


PLATE 14606 - ONE-HALF SIZE

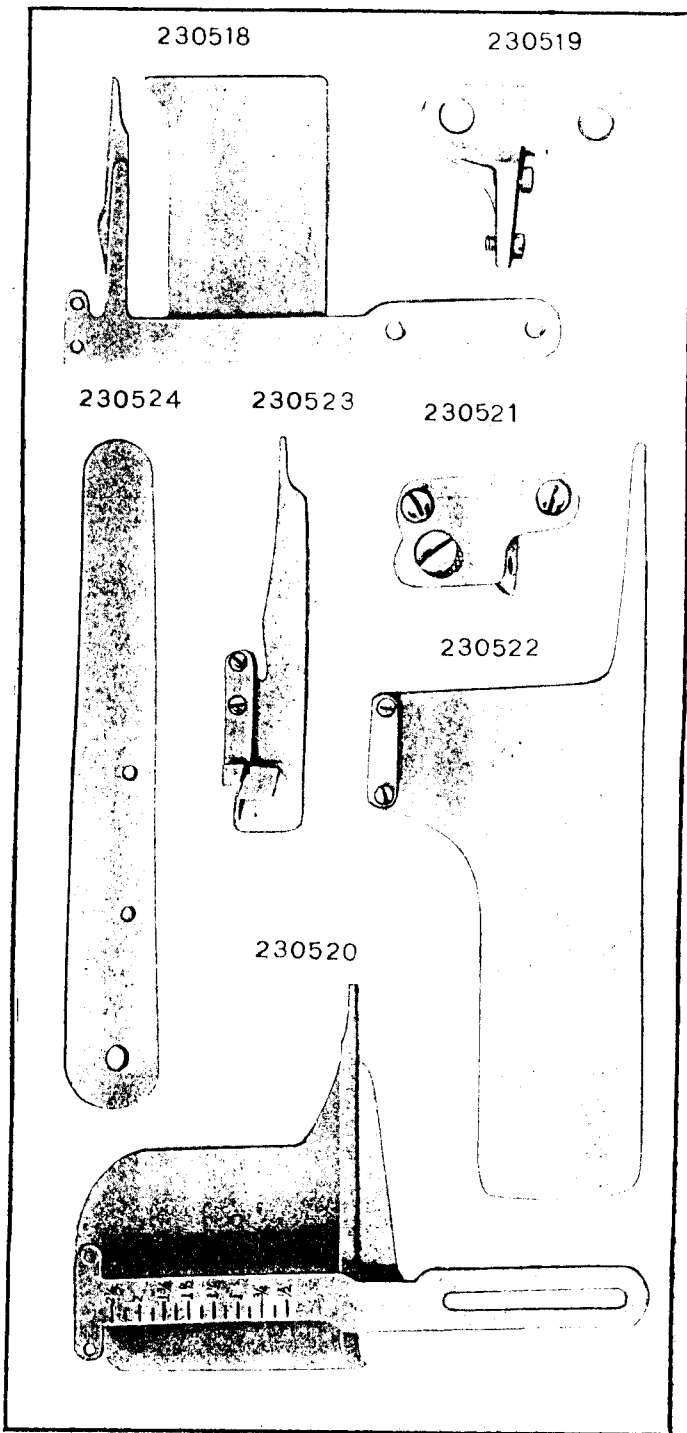


PLATE 14607 - ONE-HALF SIZE

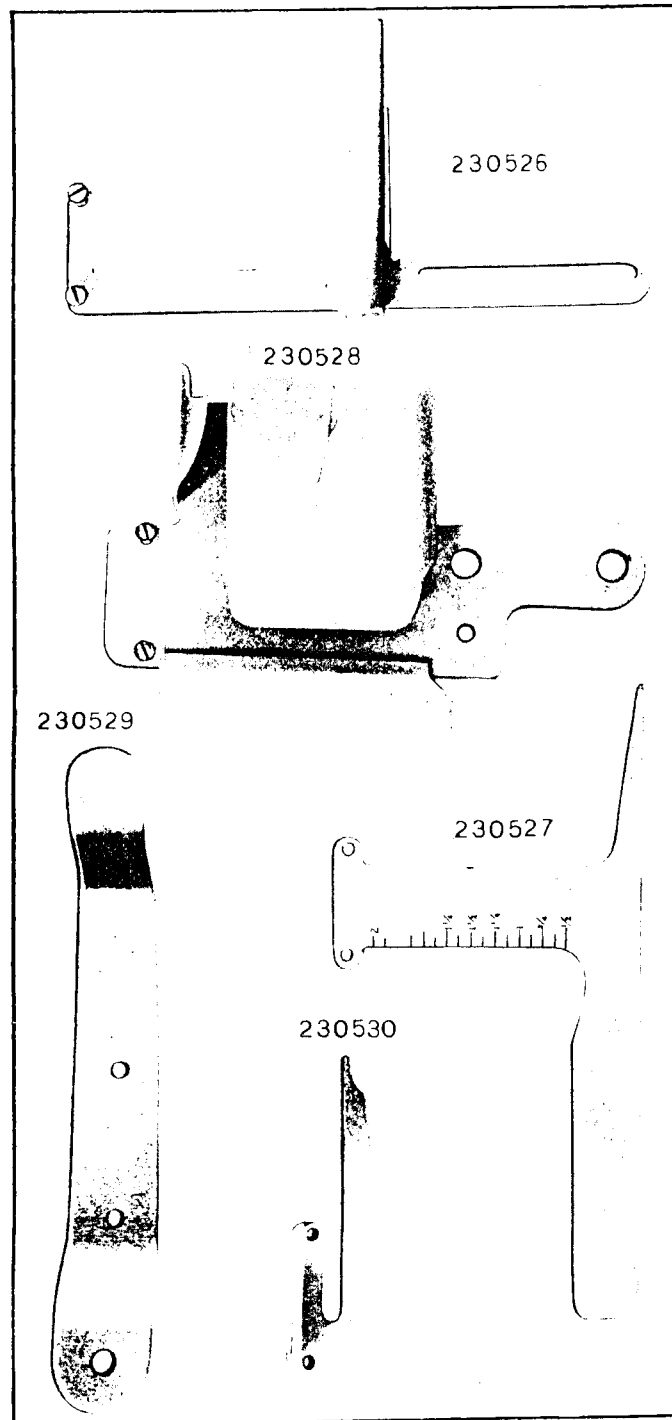


PLATE 14608 ONE-HALF SIZE

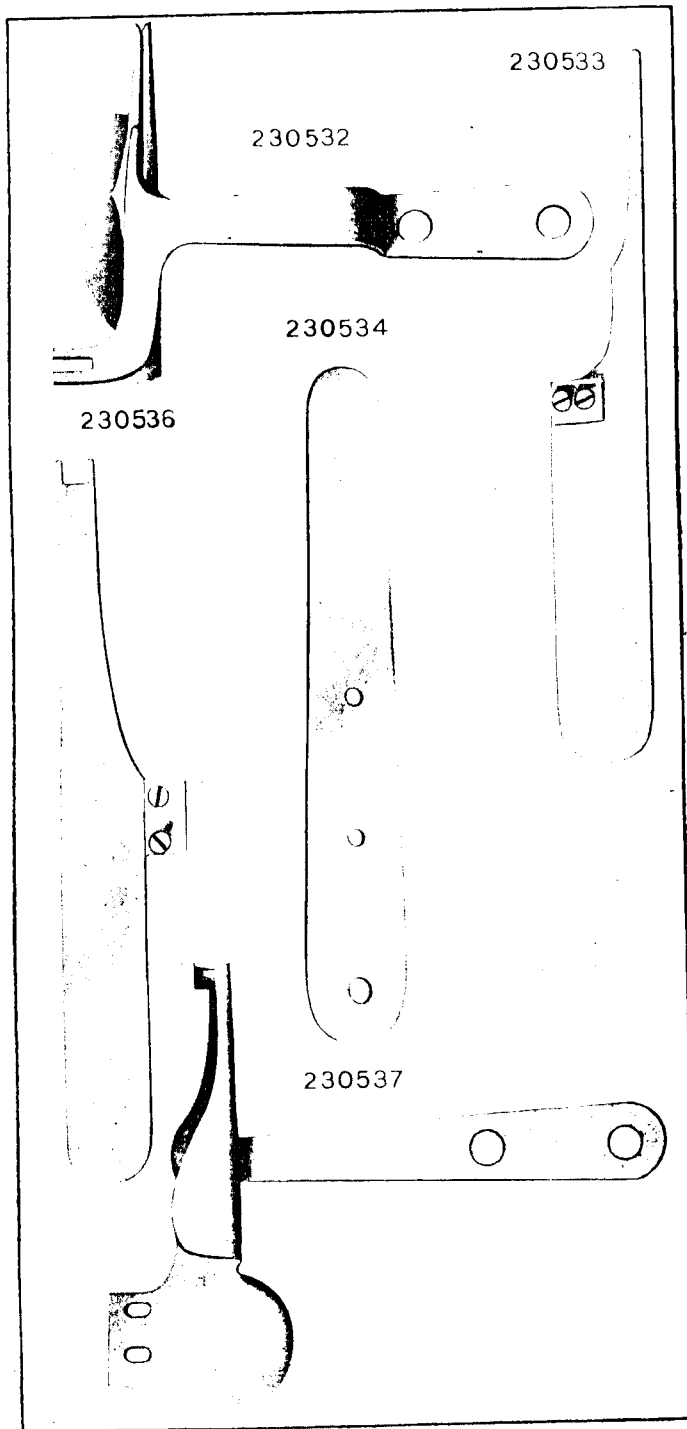


PLATE 14609 ONE-FOURTH SIZE

