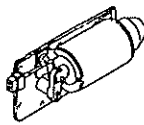

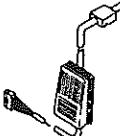
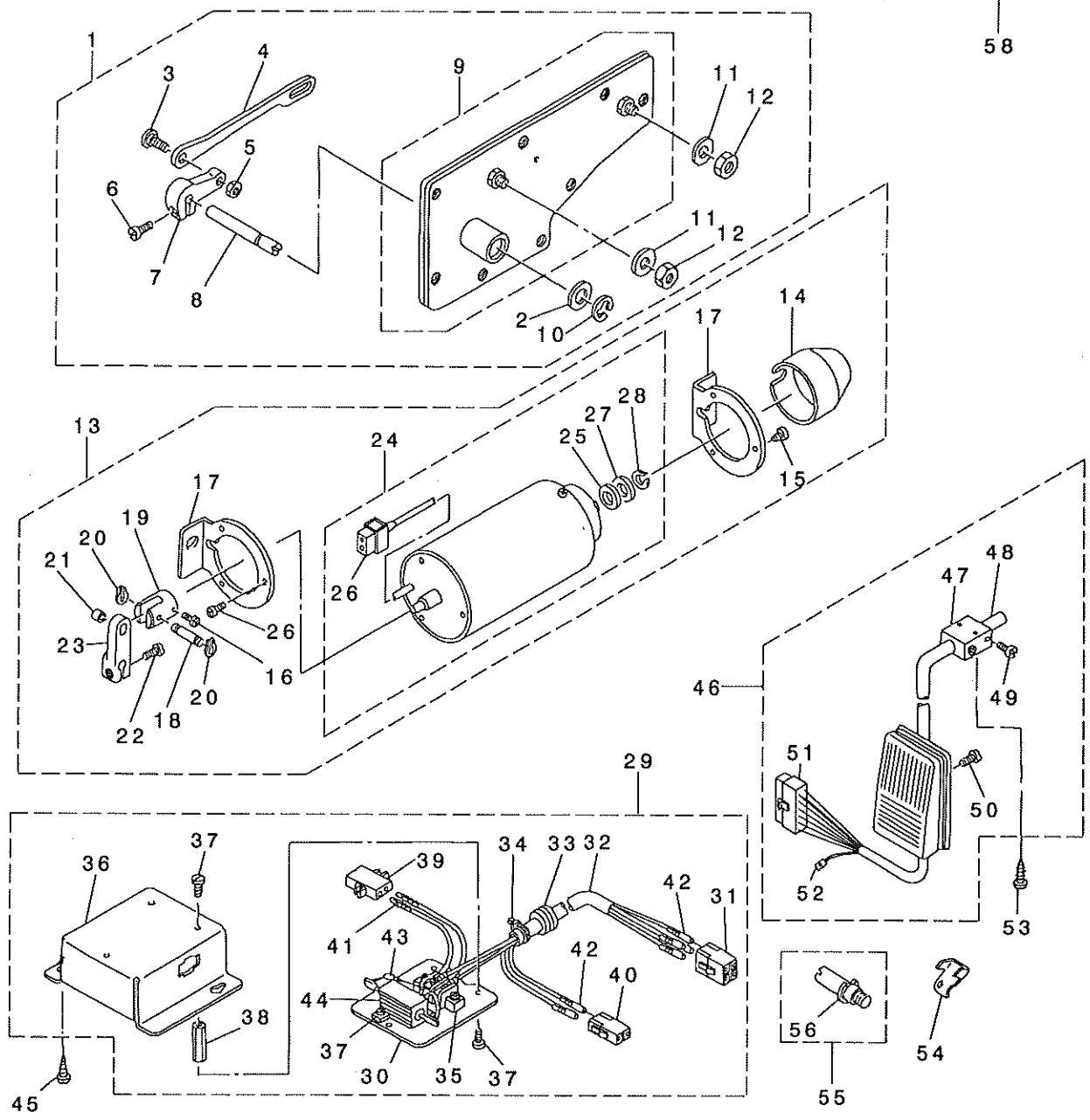
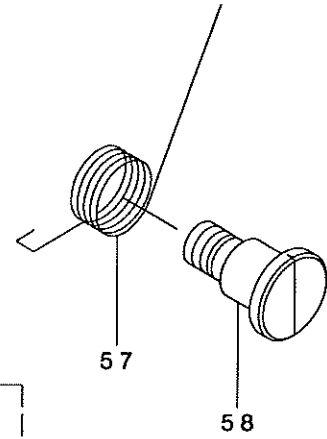


AK-84,AK-85,AK-86,AK-87

PARTS LIST

29113206
 No.0872-02

| TABLE OF UNIT COMBINATIONS ユニット組合せ表 | | | |
|--|---|---|---|
| |  |  |  |
| AK-84 | ○ | | ○ |
| AK-85 | ○ | | |
| AK-86 | ○ | ○ | ○ |
| AK-87 | ○ | ○ | |



| REF. NO | NOTE | PART NO. | DESCRIPTION | ヒョウメイ | Qty |
|---------|------|---------------|------------------------------|------------------------|-------|
| 1 | | GAK-330200BA | SIDE PLATE ASM. B | マト'イタ(クミ)B | 1 |
| 2 | | WP-1021016-SD | WASHER | ヒラザ'カ'ネ 10.2X18X1 | (1) |
| 3 | | SD-0800352-SP | HINGE SCREW D= 8 H= 3.5 | タ'ンネジ' D=8 H=3.5 | (1) |
| 4 | | GAK-33026000 | SOLENOID LINK | ソレノイド'リンク | (1) |
| 5 | | NS-6150310-SP | NUT 15/64-28 | ロツカクナツト 15/64-28 | (1) |
| 6 | | SS-6121210-SP | SCREW 3/16-28 L=12 | ヒラネジ' 3/16-28 L=12 | (1) |
| 7 | | GAK-33027000 | SOLENOID ARM | ソレノイド'ウテ' B | (1) |
| 8 | | GAK-33028000 | SOLENOID SHAFT | ソレノイド'シ'ク | (1) |
| 9 | | GAK-330200AA | SIDE PLATE ASM. A | マト'イタ(クミ)A | (1) |
| 10 | | RE-0700000-KO | E-RING 7 | Eカ'タメワ 7 | (1) |
| 11 | | WP-0621036-SP | WASHER | ヒラザ'カ'ネ | (2) |
| 12 | | NS-6150440-SP | NUT 15/64-28 | ロツカクナツト 15/64-28 | (2) |
| 13 | | GAK-840300BA | "AK" SOLENOID ASM. B | AKソレノイド'クミ B | 1 |
| 14 | | GAK-3303600A | SOLENOID COVER | ソレノイド'カハ'- | (1) |
| 15 | | SS-4120915-SP | SCREW 3/16-28 L=9 | ナハ'ネジ' 3/16-28 L=9 | (6) |
| 16 | | SS-4110915-SP | SCREW 11/64-40 L=9 | ナハ'ネジ' 11/64-40 L=9 | (1) |
| 17 | | GAK-3303400A | SOLENOID BASE | ソレノイド'タ'イ | (2) |
| 18 | | GAK-33012000 | SOLENOID PIN | ソレノイド'ピ'ン | (1) |
| 19 | | GAK-33035000 | SOLENOID COLLAR | ソレノイド'カラ- | (1) |
| 20 | | GAK-33014000 | SNAP RING | ウカ'タメワ | (2) |
| 21 | | GAK-33013000 | SOLENOID PIN COLLAR | ソレノイド'ピ'ンカラ- | (1) |
| 22 | | SS-7121610-SP | SCREW 3/16-28 L=15.5 | マルヒラネジ' 3/16-28 L=15.5 | (1) |
| 23 | | GAK-33011000 | SOLENOID ARM, A | ソレノイド'ウテ' A | (1) |
| 24 | | GAK-840300AA | "AK" SOLENOID ASM. A | AKソレノイド'クミ A | (1) |
| 25 | | GAK-33031000 | SOLENOID RUBBER, A | ソレノイド'ゴ'AA | (1) |
| 26 | | HK-0346100-20 | 2-POLE NYLON PLUG | ハウジ'ソク' 2P | (1) |
| 27 | | WP-1052000-SC | WASHER 10.5X18X2 | ヒラザ'カ'ネ 10.5X18X2 | (1) |
| 28 | | RC-0931011-KP | RETAINING RING | Cカ'タメワ | (1) |
| 29 | | GAK-860500A0 | FLY BACK RESISTOR ASM. | フライハ'ツクテイコウクミ | 1 |
| 30 | | GAK-33051000 | RESISTOR BASE | テイコウタ'イ | (1) |
| 31 | | HK-0346100-40 | HOUSING | ハウジ'ソク' | (1) |
| 32 | | HW-5F18S12-48 | 4-CORE CABTYRE CORD | キヤ'タイコ-ト' 0.18X19X4 | (0.7) |
| 33 | | M1014-110-000 | CORD BUSH B | コ-ト'フ'ツシュ B | (1) |
| 34 | | HX-0004300-00 | CLIP | クツソクハ'ント' | (1) |
| 35 | | GAK-01015000 | 2P TERMINAL BASE | 2P タンシタ'イ | (1) |
| 36 | | GAK-86050000 | RESISTOR COVER | テイコウカハ'- | (1) |
| 37 | | SM-4030601-SE | SCREW M3 L=6 | ナハ'ネジ' M3 L=6 | (8) |
| 38 | | GAK-33052000 | STUD | スタツト' | (3) |
| 39 | | MAI-15041000 | NYLON RECEPTACLE 2P | 2P レセプ'タクル | (1) |
| 40 | | HK-0346200-20 | 2P PLUG | フ'ラク' 2P | (1) |
| 41 | | D6042-555-B00 | PIN TERMINAL, FEMALE | ピ'ンタ-ミナルメス | (2) |
| 42 | | HK-0346300-00 | TERMINAL | ピ'ンタ-ミナルオス | (6) |
| 43 | | HG-2674014-7P | DIODE 1N5625 | タ'イオ-ト' (1N5625) | (1) |
| 44 | | HR-0036010-00 | RESISTOR 10 OHM 20W | テイコ-キ 10オ-ム 20W | (1) |
| 45 | | SK-3412000-SC | WOOD SCREW D=4.1 L=20 | マルモクネジ' D=4.1 L=20 | 1 |
| 46 | | GAK-840900B0 | LIFTER KNEE SWITCH ASM. B | ヒザ'スイツチクミ B | 1 |
| 47 | | MAT-80230T00 | KNEE SWITCH SUPPORT BASE | スイツチ'ソツ'タ'イ (T002) | (2) |
| 48 | | MAT-80231T00 | DRIVING BAR, T002 | スイツチ'ソツ'ウテ' (T002) | (1) |
| 49 | | SS-6151220-SP | SCREW 15/64-28 L=11.5 | ヒラネジ' 15/64-28 L=11.5 | (4) |
| 50 | | SS-7111410-SP | SCREW 11/64-40 L=14 | マルヒラネジ' 11/64-40 L=14 | (2) |
| 51 | | HK-0489101-20 | HOUSING | ハウジ'ソク' | (1) |
| 52 | | HK-0492400-00 | PIN-SHAPE TERMINAL | ピ'ンタ-ミナル | (2) |
| 53 | | SK-3514000-SC | WOOD SCREW D=5.1 L=40 | マルモクネジ' D=5.1 L=40 | 2 |
| 54 | | GAK-33060000 | CORD HOLDER | ハ'イ'ササエ | 1 |
| 55 | | GAK-330400A0 | SHAFT PIN ASM. | ヒザ'アケ'ヨコホ'ウビ'ソクミ | 1 |
| 56 | | RE-0500000-KO | E-RING | Eカ'タメワ 5 | (1) |
| 57 | | GAK-33042000 | KNEE LIFTING LINK SPRING | ヒザ'アケ'リンクハ'ネ | 1 |
| 58 | | GAK-33041000 | KNEE LIFTING LINK STEP-SCREW | ヒザ'アケ'リンクタ'ンネジ' | 1 |