

Form 8083
May, 1913

PRICE LIST

OF

PARTS



MACHINES

Nos. 25-54 and 25-55

THE SINGER MANUFACTURING COMPANY

INDEX

	PAGE
ACCESSORIES.....	19
BINDER.....	19
FOOT LIFTER PARTS.....	20
IRON BASE.....	19
KNEE LIFTER PARTS.....	20
MACHINE NO. 25-54.....	7
" " 25-55.....	13
OBSOLETE PARTS.....	25
NUMERICAL LIST OF PARTS.....	27
STAND (ROCKING TREADLE).....	21
" (HIGH SPEED).....	22
UNDER DRIVERS.....	23-25

INSTRUCTIONS FOR ORDERING

In ordering from this list, use ONLY the PART number in the FIRST column.

The number stamped on a Sewing Machine part is in every case the number of the single part only.

Every combination of parts sent out as such has its specific number, which, although not stamped on the parts, must be used when ordering the combination.

Each number always indicates the SAME PART in whatever list it appears, or for whatever machine.

The letters after some of the numbers indicate the style of finish only, as follows:

- A. Hardened, Polished and Plated.
- B. Polished and Plated.
- C. Hardened only.
- D. Polished only.
- E. Soft, not Polished.
- F. Hardened and Polished.
- H. Blued.

These letters MUST BE USED when they appear in the list, and AFTER the number as in the list.

In this series

- 1 to 1500 and 50001 to 51500 are Screw Numbers.
- 1501 to 1800 are Nut Numbers.
- 1801 to 2000 are Roller Numbers.
- 2001 to 50000 are numbers of Machine Parts.

The figures in the second column refer only to the plates, illustrating the parts, and are NOT TO BE USED in ordering.

Parts marked with an asterisk (*) are furnished only when repairs are made at factory.

LIST OF PARTS COMPLETE FOR MACHINE NO. 25-54

FOR STITCHING STRAW BRAID FOR HATS. BED NOT CYLINDRICAL, PLAIN TENSION. MACHINE IS EQUIPPED WITH GUIDES, FEED DOGS AND PRESSER FEET FOR DIFFERENT VARIETIES OF BRAID, BALANCE WHEEL BELT PULLEY EXTENDED BEYOND THE ARM OF MACHINE FOR THE EASY REMOVAL OF THE BELT.

(OBSOLETE)

NO.	PLATE	NAME	EACH
*32090	—	Arm, upper and lower (solid) with 9830, 32110 and two 624c.....	\$10 00
32091	2188	Arm End Cover.....	50
	219F 2194	" " " Screw.....	02
32033	2188	" Rock Shaft.....	50
32034	2189	" " " Crank (back) with 1259c and 1439c.....	35
	1439C 2189	Arm Rock Shaft Crank (back) Position Screw.....	04
	1259C 2189	Arm Rock Shaft Crank (back) Set Screw	03
32035	2189	" " " " (front) with 1259c and 1266c.....	1 00
	1259C 2189	Arm Rock Shaft Crank (front) Position Screw.....	03
	1266C 2189	Arm Rock Shaft Crank (front) Set Screw	02
32092	2188	" Rotary Shaft with 1019c.....	80
32093	2192	" " " Collar with two 457c	25
	457C 2192	" " " " Set Screw....	02
32094	2188	Balance Wheel and Connecting Rod Eccentric with 1285c.....	1 25
	1285C 2197	Balance Wheel and Connecting Rod Eccentric Set Screw.....	04
32095	2188	Connecting Rod with 32096 and two 1057E.....	60
*32096	—	Connecting Rod Cap.....	—
	1057E 2192	" " " Screw.....	04
	1139C 2197	" " " Hinge Screw.....	12
	1520E 2197	" " " " Nut.....	03
32097	2190	Face Plate.....	40
	402D 2190	" " " Screw.....	02

NO.	PLATE	NAME	EACH
32053	2191	Feed Bar with 32054 and two 401E....	\$ 60
19011	2192	" " Carrier with four 457C.....	60
32098	2192	" " " Hinge Pin.....	75
457C	2192	" " " " Set Screw..	02
32098	2192	" " " Hinge Pin.....	75
457C	2192	" " " " Set Screw.....	02
32054	2190	" " Supporting Plate.....	15
401E	2190	" " " " Screw.....	02
32055	2192	" Connecting Rod with 1012E, 42009 and two 1057E.....	60
1012E	2192	Feed Connecting Rod Adjusting Screw..	05
*42009	—	" " " Cap.....	—
1057E	2192	" " " " Screw.....	04
32071	2170	" Dog.....	25
32056	2170	" " ".....	25
19015	2195	" " (medium or Milan).....	25
19018	2195	" " (fine or chip).....	25
19094	2195	" " (chip).....	25
19019	2190	" " Carrier.....	40
19020	2190	" " " Friction Spring.....	02
19021	2190	" " " " Washer	01
995C	2190	" " " Regulating Thumb Screw.....	10
996C	2190	Feed Dog Carrier Screw.....	06
997C	2190	" " Screw.....	05
32057	2192	" Eccentric with two 457C.....	50
457C	2192	" " Set Screw.....	02
32058	2190	" Lifting Eccentric with two 453C..	60
32059	2170	" " " Cover.....	50
32060	2170	" " " " Bracket	20
190D	2170	" " " " " "	03
236F	2170	Feed Lifting Eccentric Cover Screw....	02
453C	2190	" " " Set Screw.....	02
19014	2190	" " " Sleeve.....	75
1027C	2192	" Regulating Screw Stud.....	15
1627C	2192	" " " " Nut.....	05
19025	2192	" " " " Washer...	05
32099	2194	Lifting Presser Bar.....	40
32100	2194	" " " Guide and Lifting Bracket.....	40
1155C	2194	Lifting Presser Bar Guide and Lifting Bracket Screw.....	02
32101	2194	Lifting Presser Bar Lifter.....	05 25
999F	2194	" " " " Hinge Screw.	05
19099	2194	" " " Lifting Arm with 208D and 1083C.....	50
1083C	2194	Lifting Presser Bar Lifting Arm Adjust- ing Screw.....	05

NO.	PLATE	NAME	EACH
208D	2194	Lifting Presser Bar Lifting Arm Adjust- ing Screw Clamping Screw.....	\$ 02
19033	2194	Lifting Presser Bar Lifting Arm Pin....	01
32102	2194	" " " " Position Spring.....	05
219F	2194	Lifting Presser Bar Lifting Arm Position Spring Screw.....	02
32103	2194	Lifting Presser Bar Lifting Arm Shaft	25
32104	2194	" " " " " " Bushing.....	25
1159F	2194	Lifting Presser Bar Lifting Arm Shaft Bushing Set Screw.....	03
32105	2194	Lifting Presser Bar Lifting Arm Shaft Driving Lever.....	65
19033	2194	Lifting Presser Bar Lifting Arm Shaft Driving Lever Pin.....	01
32004	2194	Lifting Presser Bar Lifting Arm Shaft Driving Lever Roller.....	10
32005	2194	Lifting Presser Bar Lifting Arm Shaft Driving Lever Roller Pin.....	03
32106	—	Lifting Presser Bar Lifting Arm Shaft Driving Lever complete, Nos. 32004, 32005 and 32105.....	75
32107	2194	Lifting Presser Bar Lifting Arm Shaft Lock Stud.....	05
24143	2194	Lifting Presser Bar Lifting Arm Shaft Lock Stud Spring.....	01
1001D	2194	Lifting Presser Bar Pressure Regulating Thumb Screw.....	12
1981	2194	Lifting Presser Bar Roller (roller only).	08
1982	2194	" " " " and Screw Stud with 226D and 1981.....	35
226D	2194	Lifting Presser Bar Roller Cap Screw...	02
19034	2194	" " " Spring (light) .0405 wire.....	02
32038	2194	Lifting Presser Bar Spring (heavy) .047 wire.....	03
19035	2194	Lifting Presser Bar Spring Bracket.....	25
32061	2157	" " Foot (narrow toe).....	60
32069	2157	" " " (wide toe).....	60
32072	2157	" " " Guide (Canton) with 19083.....	60
*32073	2157	Lifting Presser Foot Guide (coarse Canton) with 19082.....	60
19040	2195	Lifting Presser Foot Guide (fine Canton)	60
19041	2195	" " " " (Milan).....	60
19095	2195	" " " " (chip).....	60

NO.	PLATE	NAME	EACH
19042	2195	Lifting Presser Foot Guide (tape).....	\$ 60
19043	2195	" " " " Adjusting Lever with 19045 and 19046.....	15
19044	2195	Lifting Presser Foot Guide Adjusting Lever Friction Washer.....	02
19045	2195	Lifting Presser Foot Guide Adjusting Lever Handle.....	05
19046	2195	Lifting Presser Foot Guide Adjusting Lever Pin.....	01
1003c	2195	Lifting Presser Foot Guide Adjusting Lever Thumb Screw.....	12
19083	2195	Lifting Presser Foot Guide Stud for 32072.....	03
19082	2195	Lifting Presser Foot Guide Stud for 32073.....	03
50161c	2194	Lifting Presser Foot Screw.....	06
19047	2194	" " " Washer (lower).....	02
32062	2157	" " " " (upper).....	02
19048	2193	Looper.....	60
32063	2193	" Gate with 19050.....	20
19050	2193	" " Hinge Stud.....	05
32108	2193	" " Spring.....	03
8554	2193	" " Stop Pin.....	02
1019c	2193	" Set Screw.....	02
32118	2189	Needle Bar (hollow) for self-setting needle.....	50
32110	2189	Needle Bar Bushing (lower).....	25
624c	2189	" " " Set Screw..	03
9830	2189	" " " (upper).....	25
624c	2189	" " " Set Screw..	03
34170	2189	" " Connecting Link with two 1313E.....	25
1313E	2189	Needle Bar Connecting Link Adjusting Screw.....	02
32111	2189	Needle Bar Connecting Stud with 195E and 1296C.....	30
195E	2189	Needle Bar Connecting Stud Clamping Screw.....	02
1296c	2189	Needle Bar Position Screw.....	02
1629c	2189	" Clamping Nut.....	05
32007	2156	Plait Guide (lower).....	65
32008	2156	" " (upper).....	50
32039	2156	" " " Friction Washer...	01
836d	2156	" " " Hinge Screw.....	06
32009	2156	" " " Lock Spring.....	03
662d	2156	" " " " Screw..	02
32010	—	Plait Guide complete, Nos. 662d, 836d, 32007 to 32009 and 32039.....	1 25

NO.	PLATE	NAME	EACH
19054	2156	Plait Guide Friction Washer.....	\$ 02
19055	2156	" " Regulating Pinion.....	60
1004F	2156	" " " " Screw....	08
1005F	2156	" " Screw.....	06
19056	2157	" " (inside edge) Nos. 19059 and 19060.....	15
19057	2157	Plait Guide (inside edge) Finger (narrow) with 1006A.....	20
1006A	2157	Plait Guide (inside edge) Finger (narrow) Hinge Stud.....	06
1628c	2157	Plait Guide (inside edge) Finger (narrow) Hinge Stud Nut.....	03
19058	2157	Plait Guide (inside edge) Finger (wide) with 1007A.....	20
1007A	2157	Plait Guide (inside edge) Finger (wide) Hinge Stud.....	08
1628c	2157	Plait Guide (inside edge) Finger (wide) Hinge Stud Nut.....	03
19059	—	Plait Guide (inside edge) Plate.....	10
19060	—	" " " " Rod.....	15
19061	2157	" " (stationary) Nos. 19062 and 19063.....	15
19062	—	Plait Guide (stationary) Bracket.....	10
19063	—	" " " " Rod.....	10
32112	2191	Spool Bracket with 1009c.....	60
3093	2171	" " Dowel Pin.....	03
575d	2171	" " Screw.....	05
32083	2196	" Spindle.....	25
32084	—	Spool Spindle complete, Nos. 32083, 32086, 32087, 32089, 50159B and 50160c.....	1 05
1009c	2196	Spool Spindle Set Screw.....	10
32085	2196	" " Washer (felt).....	02
32086	2196	" " " (steel) with 32085	10
32075	2171	Tension Bracket with 246F and two 460c	80
32113	—	Tension Bracket complete, Nos. 1712c, 32075, 32077 to 32081, 32572, 50080c and two each 32082 and 32120.....	2 20
32133	—	Tension Bracket complete, Nos. 1712c, 32075, 32077 to 32081, 32572, 50080c and two each 32119 and 32120.....	2 60
32120	2171	Tension Disc.....	10
1712c	2171	" Regulating Thumb Nut.....	06
32572	2171	" Releasing Disc.....	05
50080c	2171	" Screw Stud.....	30
32077	2171	" " " Bushing.....	30
32078	2171	" " " " Handle...	20
246F	2171	" " " Guide Screw.....	03

NO.	PLATE	NAME	EACH
32079	2171	Tension Spring.....	\$ 02
32080	2171	" " Bushing.....	05
32081	2171	" " Sleeve.....	10
32082	2171	" Thread Guard for 32113.....	05
32119	2193	" " " " 32133.....	25
460C	2171	" " " Set Screw.....	02
19068	2189	Thread Controller Bracket.....	20
190D	2170	" " " Screw.....	03
32115	2189	" " Guide Plate with 19070.....	50
19070	2189	Thread Controller Guide Plate Stud.....	03
19071	2189	" " Releasing Rod.....	05
32116	2189	" " Spring.....	05
32117	2193	" Eyelet (head of arm).....	05
203F	2193	" " Screw.....	03
32087	2196	" Guiding Disc with two 32088.....	50
32088	2196	" " " Bushing (cellu- loid).....	05
50159B	2196	Thread Guiding Disc Cap Screw.....	03
50160C	2196	" " " Screw Stud.....	12
32089	2196	" " " Washer.....	02
19075	2189	" Pull-off Lever with 1933.....	75
19076	2189	" " " Cam with two 460C.....	75
460C	2189	Thread Pull-off Lever Cam Set Screw...	02
701D	2189	" " " Hinge Screw.....	06
1933	2189	" " " Roller and Stud..	18
32067	2170	Throat Plate with two 19078, for 19015, 19018, 19094, 32056 and 32071.....	40
1011F	2197	Throat Plate Screw.....	03
19078	2193	" " Steady Pin.....	01
19085	2162	Tip Plate.....	25
19086	2162	" " Arm.....	40
1061F	2162	" " " Screw Stud.....	25
19087	2162	" " Locking Washer.....	25
19088	2162	" " " Pin.....	01
691F	2162	" " Screw.....	04
19089	2162	" " Spring.....	02
19090	2162	" " Steady Pin.....	01
19091	—	Tip Plate complete, Nos. 691F, 1061F, 19085 to 19089 and two 19090.....	1 25

LIST OF PARTS COMPLETE FOR MACHINE NO. 25-55

FOR STITCHING STRAW BRAID FOR HATS, BED NOT CYLINDRICAL, WITH
LEVER ON SIDE OF ARM, NEXT TO THE OPERATOR, FOR THROW-
ING THE TIPPER INTO AND OUT OF ACTION, PLAIN TENSION,
KNEE LIFTER, HAS GUIDES, FEED DOGS, PRESSER FEET,
ETC., FOR THE DIFFERENT VARIETIES OF BRAID.

SUPERSEDES MACHINE NO. 25-54

NO.	PLATE	NAME	EACH
*32121	—	Arm, upper and lower (solid) with 9830, 32110 and two 624C.....	\$10 00
32091	2188	Arm End Cover.....	50
219F	2194	" " " Screw.....	02
32033	2188	" Rock Shaft.....	50
32034	2189	" " " Crank (back) with 1259C and 1439C.....	35
1439C	2189	Arm Rock Shaft Crank (back) Position Screw.....	04
1259C	2189	Arm Rock Shaft Crank (back) Set Screw.....	03
32035	2189	Arm Rock Shaft Crank (front) with 1259C and 1266C.....	1 00
1259C	2189	Arm Rock Shaft Crank (front) Position Screw.....	03
1266C	2189	Arm Rock Shaft Crank (front) Set Screw.....	02
32092	2188	Arm Rotary Shaft with 1019C.....	80
32093	2192	" " " Collar with two 457C 457C 2192 " " " " Set Screw....	25 02
32094	2188	Balance Wheel and Connecting Rod Eccentric with 1285C.....	1 25
1285C	2197	Balance Wheel and Connecting Rod Eccentric Set Screw.....	04
32095	2188	Connecting Rod with 32096 and two 1057E.....	60
*32096	—	Connecting Rod Cap.....	—
1057E	2192	" " " Screw.....	04
1139C	2197	" " Hinge Screw.....	12
1520E	2197	" " " Nut.....	03
32097	2190	Face Plate.....	40
402D	2190	" " Screw.....	02

NO.	PLATE	NAME	EACH
32053	2191	Feed Bar with 32054 and two 401E....	\$ 60
19011	2192	" " Carrier with four 457C.....	60
32098	2192	" " " Hinge Pin.....	75
457C	2192	" " " " " Set Screw...	02
32098	2192	" " Hinge Pin.....	75
457C	2192	" " " " Set Screw.....	02
32054	2190	" " Supporting Plate.....	15
401E	2190	" " " " Screw.....	02
32055	2192	" Connecting Rod with 1012E, 42009 and two 1057E.....	60
1012E	2192	Feed Connecting Rod Adjusting Screw.	05
*42009	—	" " " Cap.....	—
1057E	2192	" " " " Screw.....	04
32132	2188	" " " Cover.....	50
190D	2170	" " " " Screw.....	03
32071	2170	" Dog.....	25
32056	2170	" "	25
19015	2195	" " (medium or Milan).....	25
19018	2195	" " (fine or chip).....	25
19094	2195	" " (chip).....	25
19019	2190	" " Carrier.....	40
19020	2190	" " " Friction Spring.....	02
19021	2190	" " " " " Washer	01
995C	2190	" " " Regulating Thumb Screw.....	10
996C	2190	Feed Dog Carrier Screw.....	06
997C	2190	" " Screw.....	05
32057	2192	" Eccentric with two 457C.....	50
457C	2192	" " Set Screw.....	02
32058	2190	" Lifting Eccentric with two 453C..	60
32059	2170	" " " Cover.....	50
32060	2170	" " " " Bracket	20
190D	2170	" " " " " "	03
236F	2170	Feed Lifting Eccentric Cover Screw....	02
453C	2190	" " " Set Screw.....	02
19014	2190	" " " Sleeve.....	75
1027C	2192	" Regulating Screw Stud.....	15
1627C	2192	" " " " Nut.....	05
19025	2192	" " " " Washer...	05
32099	2194	Lifting Presser Bar.....	40
32122	2199	" " " Guide and Lifting Bracket with 390D.....	1 50
390D	2199	Lifting Presser Bar Guide and Lifting Bracket Adjusting Screw.....	02
1155C	2194	Lifting Presser Bar Guide and Lifting Bracket Screw.....	02

NO.	PLATE	NAME	EACH
32123	2199	Lifting Presser Bar Lifter.....	\$ 30
999F	2194	" " " " Hinge Screw.	05
32124	2199	" " " Lifting Arm with 223D and 1083C.....	50
1083C	2194	Lifting Presser Bar Lifting Arm Adjust- ing Screw.....	05
223D	2199	Lifting Presser Bar Lifting Arm Adjust- ing Screw Clamping Screw.....	02
32125	2199	Lifting Presser Bar Lifting Arm Dis- engaging Lever.....	25
2273	2199	Lifting Presser Bar Lifting Arm Dis- engaging Lever Pin.....	01
32126	2199	Lifting Presser Bar Lifting Arm Dis- engaging Lever Shaft.....	15
32127	2199	Lifting Presser Bar Lifting Arm Dis- engaging Lever Shaft Crank with 175D.....	50
175D	2199	Lifting Presser Bar Lifting Arm Dis- engaging Lever Shaft Crank Clamping Screw.....	02
14026	2199	Lifting Presser Bar Lifting Arm Pin.....	01
32128	2199	" " " " " Position Spring.....	02
217F	2199	Lifting Presser Bar Lifting Arm Position Spring Screw.....	03
32129	2199	Lifting Presser Bar Lifting Arm Shaft	20
32130	2199	" " " " " "	30
193F	2199	Lifting Presser Bar Lifting Arm Shaft Bushing.....	03
32131	2199	Lifting Presser Bar Lifting Arm Shaft Driving Lever with 1999.....	75
14026	2199	Lifting Presser Bar Lifting Arm Shaft Driving Lever Pin.....	01
1999	2199	Lifting Presser Bar Lifting Arm Shaft Driving Lever Roller and Stud.....	20
1001D	2194	Lifting Presser Bar Pressure Regulating Thumb Screw.....	12
1981	2194	Lifting Presser Bar Roller (roller only)..	08
1982	2194	" " " " and Screw Stud with 226D and 1981.....	35
226D	2194	Lifting Presser Bar Roller Cap Screw...	02
19034	2194	" " " Spring (light) .0405 wire.....	02
32038	2194	Lifting Presser Bar Spring (heavy) .047 wire.....	03
19035	2194	Lifting Presser Bar Spring Bracket.....	25

NO.	PLATE	NAME	EACH
32061	2157	Lifting Presser Foot (narrow toe).....	\$ 60
32069	2157	" " " (wide toe).....	60
32072	2157	" " " Guide (Canton) with 19083.....	60
32073	2157	Lifting Presser Foot Guide (coarse Canton) with 19082.....	60
19040	2195	Lifting Presser Foot Guide (fine Canton)	60
19041	2195	" " " " (Milan).....	60
19095	2195	" " " " (chip).....	60
19042	2195	" " " " (tape).....	60
19043	2195	" " " " Adjusting Lever with 19045 and 19046.....	15
19044	2195	Lifting Presser Foot Guide Adjusting Lever Friction Washer.....	02
19045	2195	Lifting Presser Foot Guide Adjusting Lever Handle.....	05
19046	2195	Lifting Presser Foot Guide Adjusting Lever Pin.....	01
1003C	2195	Lifting Presser Foot Guide Adjusting Lever Thumb Screw.....	12
19083	2195	Lifting Presser Foot Guide Stud for 32072.....	03
19082	2195	Lifting Presser Foot Guide Stud for 32073.....	03
50161C	2194	Lifting Presser Foot Screw.....	06
19047	2194	" " " Washer (lower).....	02
32062	2157	" " " " (upper).....	02
19048	2193	Looper.....	60
32063	2193	" Gate with 19050.....	20
19050	2193	" " Hinge Stud.....	05
32108	2193	" " Spring.....	03
8554	2193	" " Stop Pin.....	02
1019C	2193	" Set Screw.....	02
32118	2189	Needle Bar (hollow) for self-setting needle.....	50
32110	2189	Needle Bar Bushing (lower).....	25
624C	2189	" " " " Set Screw..	03
9830	2189	" " " (upper).....	25
624C	2189	" " " " Set Screw..	03
34170	2189	" " Connecting Link with two 1313E.....	25
1313E	2189	Needle Bar Connecting Link Adjusting Screw.....	02
32111	2189	Needle Bar Connecting Stud with 195E and 1296C.....	30
195E	2189	Needle Bar Connecting Stud Clamping Screw.....	02

NO.	PLATE	NAME	EACH
1296C	2189	Needle Bar Position Screw.....	\$ 02
1629C	2189	" Clamping Nut.....	05
32007	2156	Plait Guide (lower).....	65
32008	2156	" " (upper).....	50
32039	2156	" " " Friction Washer... ..	01
836D	2156	" " " Hinge Screw.....	06
32009	2156	" " " Lock Spring.....	03
662D	2156	" " " " " Screw..	02
32010	—	Plait Guide complete, Nos. 662D, 836D, 32007 to 32009 and 32039.....	1 25
19054	2156	Plait Guide Friction Washer.....	02
19055	2156	" " Regulating Pinion.....	60
1004F	2156	" " " " Screw..	08
1005F	2156	" " Screw.....	06
19056	2157	" " (inside edge) Nos. 19059 and 19060.....	15
19057	2157	Plait Guide (inside edge) Finger (narrow) with 1006A.....	20
1006A	2157	Plait Guide (inside edge) Finger (narrow) Hinge Stud.....	06
1628C	2157	Plait Guide (inside edge) Finger (narrow) Hinge Stud Nut.....	03
19058	2157	Plait Guide (inside edge) Finger (wide) with 1007A.....	20
1007A	2157	Plait Guide (inside edge) Finger (wide) Hinge Stud.....	08
1628C	2157	Plait Guide (inside edge) Finger (wide) Hinge Stud Nut.....	03
19059	—	Plait Guide (inside edge) Plate.....	10
19060	—	" " " " Rod.....	15
19061	2157	" " (stationary) Nos. 19062 and 19063.....	15
19062	—	Plait Guide (stationary) Bracket.....	10
19063	—	" " " Rod.....	10
32112	2191	Spool Bracket with 1009C.....	60
3093	2171	" " Dowel Pin.....	03
575D	2171	" " Screw.....	05
32083	2196	" Spindle.....	25
32084	—	Spool Spindle complete, Nos. 32083, 32086, 32087, 32089, 50159B and 50160C.....	1 05
1009C	2196	Spool Spindle Set Screw.....	10
32085	2196	" " Washer (felt).....	02
32086	2196	" " " (steel) with 32085	10
32075	2171	Tension Bracket with 246F and two 460C.....	80

NO.	PLATE	NAME	EACH
32113	—	Tension Bracket complete, Nos. 1712C, 32075, 32077 to 32081, 32572, 50080C and two each 32082 and 32120	\$2 20
32133	—	Tension Bracket complete, Nos. 1712C, 32075, 32077 to 32081, 32572, 50080C and two each 32119 and 32120	2 60
32120	2171	Tension Disc	10
1712C	2171	" Regulating Thumb Nut	06
32572	2171	" Releasing Disc	05
50080C	2171	" Screw Stud	30
32077	2171	" " Bushing	30
32078	2171	" " " " Handle	20
246F	2171	" " " Guide Screw	03
32079	2171	" Spring	02
32080	2171	" " Bushing	05
32081	2171	" " Sleeve	10
32082	2171	" Thread Guard for 32113	05
32119	2193	" " " " 32133	25
460C	2171	" " " Set Screw	02
19068	2189	Thread Controller Bracket	20
190D	2170	" " " Screw	03
32115	2189	" " Guide Plate with 19070	50
19070	2189	Thread Controller Guide Plate Stud	03
19071	2189	" " Releasing Rod	05
32116	2189	" " Spring	05
32117	2193	" Eyelet (head of arm)	05
203F	2193	" " Screw	03
32087	2196	" Guiding Disc with two 32088	50
32088	2196	" " " Bushing (celluloid)	05
50159B	2196	" " " Cap Screw	03
50160C	2196	" " " Screw Stud	12
32089	2196	" " " Washer	02
19075	2189	" Pull-off Lever with 1933	75
19076	2189	" " " Cam with two 460C	75
460C	2189	Thread Pull-off Lever Cam Set Screw	02
701D	2189	" " " Hinge Screw	06
1933	2189	" " " Roller and Stud	18
32067	2170	Throat Plate with two 19078, for 19015, 19018, 19094, 32056 and 32071	40
1011F	2197	Throat Plate Screw	03
19078	2193	" " Steady Pin	01
19085	2162	Tip Plate	25
19086	2162	" " Arm	40
1061F	2162	" " " Screw Stud	25
19087	2162	" " Locking Washer	25
19088	2162	" " " " Pin	01

NO.	PLATE	NAME	EACH
691F	2162	Tip Plate Screw	\$ 04
19089	2162	" " Spring	02
19090	2162	" " Steady Pin	01
19091	—	Tip Plate complete, Nos. 691F, 1061F, 19085 to 19089 and two 19090	1 25

IRON BASE

NO.	PLATE	NAME	EACH
19092	2166	Machine Base with three wood screws 1 1/4 in. No. 12	\$ 50
1062E	2197	Machine Base Screw	08
9842	2193	" " " Washer	02
32022	2191	" Cushion (cloth)	02

ACCESSORIES

NO.	PLATE	NAME	EACH
9843	2191	Machine Cushion (cloth)	\$ 02
474E	2183	" Thumb Screw for power table	20
544E	2183	" " " " 25258	15
1152E	2197	" " " " 25265	20
2015	2193	" " " Cushion (rubber)	02
9842	2193	" " " Washer	02
35676	2198	Oiler with Cap and 35678	05
35677	—	" 35676, filled with oil	08
35678	2198	" Spout, 2 in. long	01
26026	2198	Screw Driver (large)	10
26485	2198	" " (small)	05
25539	2198	Stiletto	05
8908	2198	Wrench for 1520	08
19079	2198	" " 1027, 1083, 1628 and 1629	10

BINDER

FOR BINDING STRAW BRAID.

NO.	PLATE	NAME	EACH
28834	2172	Folder	\$3 00
219F	2194	" Screw	02
7071	2189	" " Washer	01
19036	2172	Lifting Presser Foot (narrow toe)	60
28835	2172	Binder complete, Nos. 219F, 7071, 19036 and 28834	3 60

FOOT LIFTER PARTS

NO.	PLATE	NAME	EACH
6439	—	Chain, 36 in. to 45 in.....	\$ 20
NOTE. When ordering No. 6439 give length required.			
4879	2198	Chain Connecting Link for 4885.....	03
19080	2198	Lifting Lever.....	35
	21D 2197	" " Hinge Screw.....	15
19081	2193	" " Spring.....	05
4881	2166	Treadle.....	30
4882	2198	" Shaft.....	05
4883	2198	" Spring.....	10
4884	2166	" Stand.....	25
4885	2166	Treadle complete, Nos. 4879, 4881 to 4884 and two wood screws 1 in. No. 16	75
19093	—	Foot Lifter complete, Nos. 21D, 4885, 6439, 19080 and 19081.....	1 50

KNEE LIFTER PARTS

NO.	PLATE	NAME	EACH
32040	—	Chain, 12 $\frac{3}{4}$ in. long.....	\$ 10
19080	2198	Lifting Lever.....	35
	21D 2197	" " Hinge Screw.....	15
19081	2193	" " Spring.....	05
7124	2166	Rock Shaft.....	10
2764	2166	" Hanger (back) with two wood screws 1 in. No. 10.....	08
16128	2166	Rock Shaft Hanger (front) with two wood screws 1 in. No. 10.....	08
16646	2166	Rock Shaft Knee Arm.....	10
16647	—	Rock Shaft Knee Arm complete, Nos. 2766, 2767 and 16646.....	40
2766	2166	Rock Shaft Knee Arm Hub with 356c.....	15
	356C 3817	" " " " Set Screw.....	06
2767	2166	" " " Plate with 356c.....	18
	356C 3817	" " " " Set Screw.....	06
6337	2166	" " Lifting Bracket with two 356c.....	20
6338	2166	Rock Shaft Lifting Bracket Hook.....	15
	356C 3817	" " " " " Set Screw.....	06
	356C 3817	Rock Shaft Lifting Bracket Set Screw.....	06
32134	2166	" " Spring.....	10
2770	2166	" " Adjusting Dog with 356c.....	12
	356C 3817	Rock Shaft Spring Adjusting Dog Set Screw.....	06

NO.	PLATE	NAME	EACH
2770	2166	Rock Shaft Stop Dog with 356c.....	\$ 12
	356C 3817	" " " " Set Screw.....	06
32135	2166	Rock Shaft complete, Nos. 2764, 6337, 6338, 7124, 16128, 16647, 32134 and three 2770.....	1 50
32041	—	Knee Lifter complete (power table) Nos. 21D, 19080, 19081, 32040 and 32135..	2 15

STAND

ROCKING TREADLE, BALL BEARING PITMAN.

NO.	PLATE	NAME	EACH
25301	3825	Band Wheel, 16 in. diam., with 972c....	\$1 15
46519	3825	" " Crank.....	15
46520	—	Band Wheel Crank and Pitman (ball bearing) complete, Nos. 1520E, 1670E, 25361, 25371, 46506 to 46509, 46519, 46523 and eleven 25362.....	1 45
	296C 3826	Band Wheel Crank Screw Centre.....	10
	1507E 3826	" " " " Nut.....	05
	972C 3826	" " Set Screw.....	08
25199	—	Belt, size $\frac{3}{16}$ in., length 60 in., with 25027.....	20
25027	2193	Belt Hook.....	01
46521	3825	Brace with 296C, two 297C and three 1507E.....	1 70
	748E 3826	Brace Screw.....	08
46522	3825	Leg.....	1 60
25362	3826	Pitman Ball, size $\frac{3}{16}$ in. per 100	80
46506	3826	" " Bearing Adjusting Screw Ring.....	15
46507	3826	Pitman Ball Bearing Adjusting Screw Ring Locking Washer (brass)... per 100	25
46508	3826	Pitman Ball Bearing Ring.....	10
46509	3826	" " Case.....	25
46523	3825	" Rod with 25360.....	15
*25360	—	" " Ball.....	10
25371	3826	" " Bushing.....	15
25361	3826	" " Screw Bearing.....	10
	1670E 3826	" " " " Nut.....	05
	1520E 3826	" " Lock Nut.....	03
46524	3825	Treadle.....	65
	297C 3826	" Screw Centre.....	10
	1507E 3826	" " " Nut.....	05
25086	3825	Wrench for 1507 and 1670.....	10
25200	3825	" " 972.....	10
25265	—	Stand (iron work) complete, Nos. 25086, 25200, 25301, 46520, 46521, 46524, two 46522 and four 748E.....	—

STAND**HIGH SPEED.**

NO.	PLATE	NAME	EACH
25329	3813	Band Wheel, 16 in. diam., with 1312C...	\$1 25
1312C	3817	" " Set Screw.....	08
25447	3818	" " Shaft.....	40
25426	3815	" " " Driver (left).....	20
25427	3815	" " " " " Clutch (left).....	10
25428	3815	Band Wheel Shaft Driver (left) Clutch (right) with 5564.....	10
25425	3817	Band Wheel Shaft Driver (left) Clutch Spring.....	05
5564	3817	Band Wheel Shaft Driver (left) Clutch Spring Hook.....	01
25422	3815	Band Wheel Shaft Driver (right).....	20
25423	3815	" " " " " Clutch (left).....	10
25424	3815	Band Wheel Shaft Driver (right) Clutch (right) with 5564.....	10
25425	3817	Band Wheel Shaft Driver (right) Clutch Spring.....	05
5564	3817	Band Wheel Shaft Driver (right) Clutch Spring Hook.....	01
25429	3815	Band Wheel Shaft Driving Flange with 356C.....	40
356C	3817	Band Wheel Shaft Driving Flange Set Screw.....	06
25199	—	Belt, size $\frac{3}{16}$ in., length 60 in., with 25027	20
25027	2193	" Hook.....	01
25448	3818	Brace.....	1 20
748E	3817	" Screw.....	08
25431	3813	Driving Arm (left) with 435C and 25435	75
25432	3813	" " (right) with 435C and 25435.....	75
25433	3816	Driving Arm Hinge Pin.....	10
435C	3817	" " " " Set Screw.....	04
25434	3815	" Pinion.....	40
25451	3813	" Segment (rack).....	25
534E	3817	" Bolt with 1510E.....	03
1510E	3817	" " " Nut.....	02
25446	3817	" " " " Washer.....	02
25349	3813	Foot Rest.....	15

STAND

23

NO.	PLATE	NAME	EACH
25350	3817	Foot Rest Cotter Pin.....	\$ 01
25435	3816	" " Hinge Pin.....	10
25436	3813	Leg (left).....	1 50
25437	3813	" (right).....	1 60
25449	3818	" Stay Rod.....	40
1508E	3817	" " " Nut.....	06
25086	3813	Wrench for 1510.....	10
25258	—	Stand (iron work) complete, Nos. 25086, 25329, 25422 to 25424, 25426 to 25428, 25431, 25432, 25436, 25437, 25447 to 25449, two each 25349, 25350, 25425, 25429, 25433, 25434, 25451 and four each 534E, 748E, 1508E and 25446....	—

UNDER DRIVER**LEVER PRESSURE (RIGHT HAND) TWO SPEED.**

NO.	PLATE	NAME	EACH
27593	2198	Brake (fibre).....	\$ 05
27594	1164	" Bracket with 27593 and two 327E	25
927C	2186	" " Adjusting Screw.....	12
1513E	2186	" " " " Nut.....	05
307C	2186	" " Screw Centre.....	06
1513E	2186	" " " " Nut.....	05
327E	2186	" Screw.....	05
27595	1164	Cone Pulley (grooved) two speed, 4 $\frac{1}{2}$ in. and 5 $\frac{1}{2}$ in. diam., with 27473.....	50
27473	2186	Cone Pulley Centre Bearing.....	08
27888	2166	Dress Guard (right hand).....	15
354C	2186	" " Screw.....	06
2018	2186	" " " Washer.....	01
27597	1164	Driving Pulley (grooved) 6 $\frac{1}{4}$ in. diam., with 433C, 27598 and two 7958.....	75
27598	—	Driving Pulley Friction Ring (leather).. " " " " Stop Pin..	05 01
27631	2186	" " Hollow Stud with 27600	15
27600	2186	" " " " Position Stud.....	02
356C	3817	Driving Pulley Hollow Stud Set Screw..	06
27632	—	" " " " " Wick.....	01
27633	—	" " " " " Wire with 27632.....	05
433C	2186	Driving Pulley Screw Centre Bearing	08
7958	2186	" " " " " "	01
		Dowel Pin.....	01

UNDER DRIVER

NO.	PLATE	NAME	EACH
27601	1164	Frame.....	\$ 60
27605	1164	Lever.....	35
27606	2186	" Centre Plug (wood).....	01
427E	2186	" " " Adjusting Screw.....	08
1508E	2186	" " " " " Nut.....	06
307C	2186	" Screw Centre.....	06
1513E	2186	" " " " " Nut.....	05
27607	2198	" Spring.....	10
27070	1165	Shaft Driving Pulley (sectional, grooved) 10 in. diam., 1 3/4 in. bore, with two 597C.....	45
597C	2186	Shaft Driving Pulley Clamping Screw..	08
27636	1165	Treadle.....	30
9082	2186	" Bearing Cotter Pin.....	01
27637	1164	" Pitman Rod (lower).....	05
27638	2186	" " " " Spring.....	03
27639	1164	" " " (upper).....	05
9079	1164	" " " Clamp with 354C... ..	12
354C	2186	" " " " Screw.....	06
27640	1164	Treadle Pitman complete, Nos. 2762, 9079 and 27637 to 27639.....	35
2878	1165	Treadle Stand.....	15
2762	2186	" Stop Collar with 362F.....	10
362F	2186	" " " Set Screw.....	05
27642	—	Treadle complete, Nos. 2878, 9082, 27636 and four wood screws 1 in. No. 16.....	45
27643	—	Treadle and Pitman complete, Nos. 27640 and 27642.....	80
27889	—	Transmitter complete for 27890, Nos. 354C, 356C, 427E, 927C, 1508E, 2018, 27594, 27595, 27597, 27601, 27605 to 27607, 27631, 27633, 27888, three wood screws 1 1/2 in. No. 16, four 307C and five 1513E.....	3 50
27890	—	Under Driver, lever pressure (right hand) two speed, complete, Nos. 27070, 27643 and 27889.....	4 75

UNDER DRIVER

LEVER PRESSURE (LEFT HAND) TWO SPEED.

This Under Driver is the same as No. 27890 with the following exceptions:

NO.	PLATE	NAME	EACH
27596	1164	Dress Guard (left hand) in place of 27888.	\$ 15
27891	—	Transmitter complete for 27892, Nos. 354C, 356C, 427E, 927C, 1508E, 2018, 27594 to 27597, 27601, 27605 to 27607, 27631, 27633, three wood screws 1 1/2 in. No. 16, four 307C and five 1513E, in place of 27889.....	3 50
27892	—	Under Driver, lever pressure (left hand) two speed, complete, Nos. 27070, 27643 and 27891.....	4 75

OBSOLETE PARTS

NO.	PLATE	NAME	EACH
190D	2170	Face Plate Screw.....	\$ 03
32109	2193	Needle Bar (hollow).....	50
32012	2171	Tension Disc.....	10
2102	2171	" " ".....	05
32114	2193	" Thread Guard.....	25

NUMERICAL LIST OF PARTS

NO.	PLATE	NAME	EACH
21D	2197	Lifting Lever Hinge Screw for 19093 and 32041.....	\$ 15
175D	2199	Lifting Presser Bar Lifting Arm Disengaging Lever Shaft Crank Clamping Screw for 32127.....	02
190D	2170	Face Plate Screw, obsolete.....	03
190D	2170	Feed Connecting Rod Cover Screw for 25-55 Machine.....	03
190D	2170	Feed Lifting Eccentric Cover Bracket Screw.....	03
190D	2170	Thread Controller Bracket Screw.....	03
193F	2199	Lifting Presser Bar Lifting Arm Shaft Bushing Set Screw for 25-55 Machine.....	03
195E	2189	Needle Bar Connecting Stud Clamping Screw for 32111.....	02
203F	2193	Thread Eyelet Screw.....	03
208D	2194	Lifting Presser Bar Lifting Arm Adjusting Screw Clamping Screw for 19099, obsolete.....	02
217F	2199	Lifting Presser Bar Lifting Arm Position Spring Screw for 25-55 Machine.....	03
219F	2194	Arm End Cover Screw.....	02
219F	2194	Binder Folder Screw for 28835.....	02
219F	2194	Lifting Presser Bar Lifting Arm Position Spring Screw for 25-54 Machine, obsolete.....	02
223D	2199	Lifting Presser Bar Lifting Arm Adjusting Screw Clamping Screw for 32124.....	02
226D	2194	Lifting Presser Bar Roller Cap Screw for 1982.....	02
236F	2170	Feed Lifting Eccentric Cover Screw.....	02
246F	2171	Tension Screw Stud Guide Screw for 32075.....	03
296C	3826	Band Wheel Crank Screw Centre for 46521.....	10
297C	3826	Treadle Screw Centre for 46521.....	10
307C	2186	Under Driver Brake Bracket Screw Centre for 27889 and 27891.....	06
307C	2186	Under Driver Lever Screw Centre for 27889 and 27891.....	06
327E	2186	Under Driver Brake Screw for 27594.....	05
354C	2186	" " Dress Guard Screw for 27889 and 27891.....	06

NUMERICAL LIST OF PARTS

NO. PLATE	NAME	EACH
354C 2186	Under Driver Treadle Pitman Rod Clamp Screw for 9079.....	\$ 06
356C 3817	Band Wheel Shaft Driving Flange Set Screw for 25429.....	06
356C 3817	Rock Shaft Knee Arm Hub Set Screw for 2766.....	06
356C 3817	Rock Shaft Knee Plate Set Screw for 2767.....	06
356C 3817	Rock Shaft Lifting Bracket Hook Set Screw for 6337.....	06
356C 3817	Rock Shaft Lifting Bracket Set Screw for 6337.....	06
356C 3817	Rock Shaft Spring Adjusting Dog Set Screw for 2770.....	06
356C 3817	Rock Shaft Stop Dog Set Screw for 2770	06
356C 3817	Under Driver Driving Pulley Hollow Stud Set Screw for 27889 and 27891..	06
362F 2186	Under Driver Treadle Stop Collar Set Screw for 2762.....	05
390D 2199	Lifting Presser Bar Guide and Lifting Bracket Adjusting Screw for 32122..	02
401E 2190	Feed Bar Supporting Plate Screw for 32053.....	02
402D 2190	Face Plate Screw.....	02
427E 2186	Under Driver Lever Centre Plug Adjust- ing Screw for 27889 and 27891.....	08
433C 2186	Under Driver Driving Pulley Screw Centre Bearing for 27597.....	08
435C 3817	Driving Arm Hinge Pin Set Screw for 25431 and 25432.....	04
453C 2190	Feed Lifting Eccentric Set Screw for 32058.....	02
457C 2192	Arm Rotary Shaft Collar Set Screw for 32093.....	02
457C 2192	Feed Bar Carrier Hinge Pin Set Screw for 19011.....	02
457C 2192	Feed Bar Hinge Pin Set Screw for 19011	02
457C 2192	" Eccentric Set Screw for 32057.....	02
460C 2171	Tension Thread Guard Set Screw for 32075.....	02
460C 2189	Thread Pull-off Lever Cam Set Screw for 19076.....	02
474E 2183	Machine Thumb Screw, for power table (Accessories).....	20
534E 3817	Driving Segment Bolt with 1510E, for 25258.....	03
544E 2183	Machine Thumb Screw for 25258 (Accessories).....	15
575D 2171	Spool Bracket Screw.....	05

NUMERICAL LIST OF PARTS

NO. PLATE	NAME	EACH
597C 2186	Under Driver Shaft Driving Pulley Clamping Screw for 27070.....	\$ 08
624C 2189	Needle Bar Bushing (lower) Set Screw for 32090 and 32121.....	03
624C 2189	Needle Bar Bushing (upper) Set Screw for 32090 and 32121.....	03
662D 2156	Plait Guide (upper) Lock Spring Screw for 32010.....	02
691F 2162	Tip Plate Screw for 19091.....	04
701D 2189	Thread Pull-off Lever Hinge Screw.....	06
748E 3826	Brace Screw for 25258 and 25265.....	08
836D 2156	Plait Guide (upper) Hinge Screw for 32010.....	06
927C 2186	Under Driver Brake Bracket Adjusting Screw for 27889 and 27891.....	12
972C 3826	Band Wheel Set Screw for 25301.....	08
995C 2190	Feed Dog Carrier Regulating Thumb Screw.....	10
996C 2190	Feed Dog Carrier Screw.....	06
997C 2190	" " Screw.....	05
999F 2194	Lifting Presser Bar Lifter Hinge Screw.	05
1001D 2194	" " " Pressure Regulating Thumb Screw.....	12
1003C 2195	Lifting Presser Foot Guide Adjusting Lever Thumb Screw.....	12
1004F 2156	Plait Guide Regulating Pinion Screw...	08
1005F 2156	" " Screw.....	06
1006A 2157	" " (inside edge) Finger (narrow) Hinge Stud for 19057.....	06
1007A 2157	Plait Guide (inside edge) Finger (wide) Hinge Stud for 19058.....	08
1009C 2196	Spool Spindle Set Screw for 32112.....	10
1011F 2197	Throat Plate Screw.....	03
1012E 2192	Feed Connecting Rod Adjusting Screw for 32055.....	05
1019C 2193	Looper Set Screw for 32092.....	02
1027C 2192	Feed Regulating Screw Stud.....	15
1057E 2192	Connecting Rod Cap Screw for 32095..	04
1057E 2192	Feed Connecting Rod Cap Screw for 32055.....	04
1061F 2162	Tip Plate Arm Screw Stud for 19091...	25
1062E 2197	Machine Base Screw.....	08
1083C 2194	Lifting Presser Bar Lifting Arm Ad- justing Screw for 19099 and 32124...	05
1139C 2197	Connecting Rod Hinge Screw.....	12
1152E 2197	Machine Thumb Screw for 25265 (Accessories).....	20

NO.	PLATE	NAME	EACH
1155C	2194	Lifting Presser Bar Guide and Lifting Bracket Screw.....	\$ 02
1159F	2194	Lifting Presser Bar Lifting Arm Shaft Bushing Set Screw for 25-54 Machine, obsolete.....	03
1259C	2189	Arm Rock Shaft Crank (back) Set Screw for 32034.....	03
1259C	2189	Arm Rock Shaft Crank (front) Position Screw for 32035.....	03
1266C	2189	Arm Rock Shaft Crank (front) Set Screw for 32035.....	02
1285C	2197	Balance Wheel and Connecting Rod Eccentric Set Screw for 32094.....	04
1296C	2189	Needle Bar Position Screw for 32111.....	02
1312C	3817	Band Wheel Set Screw for 25329.....	08
1313E	2189	Needle Bar Connecting Link Adjusting Screw for 34170.....	02
1439C	2189	Arm Rock Shaft Crank (back) Position Screw for 32034.....	04
1507E	3826	Band Wheel Crank Screw Centre Nut for 46521.....	05
1507E	3826	Treadle Screw Centre Nut for 46521.....	05
1508E	3817	Leg Stay Rod Nut for 25258.....	06
1508E	2186	Under Driver Lever Centre Plug Adjusting Screw Nut for 27889 and 27891.....	06
1510E	3817	Driving Segment Bolt Nut for 534E.....	02
1513E	2186	Under Driver Brake Bracket Adjusting Screw Nut for 27889 and 27891.....	05
1513E	2186	Under Driver Brake Bracket Screw Centre Nut for 27889 and 27891.....	05
1513E	2186	Under Driver Lever Screw Centre Nut for 27889 and 27891.....	05
1520E	2197	Connecting Rod Hinge Screw Nut.....	03
1520E	3826	Pitman Rod Lock Nut for 46520.....	03
1627C	2192	Feed Regulating Screw Stud Nut.....	05
1628C	2157	Plait Guide (inside edge) Finger (narrow) Hinge Stud Nut.....	03
1628C	2157	Plait Guide (inside edge) Finger (wide) Hinge Stud Nut.....	03
1629C	2189	Needle Clamping Nut.....	05
1670E	3826	Pitman Rod Ball Screw Bearing Nut for 46520.....	05
1712C	2171	Tension Regulating Thumb Nut for 32113 and 32133.....	06
1933	2189	Thread Pull-off Lever Roller and Stud for 19075.....	18
1981	2194	Lifting Presser Bar Roller (roller only) for 1982.....	08

NO.	PLATE	NAME	EACH
1982	2194	Lifting Presser Bar Roller and Screw Stud with 226D and 1981.....	\$ 35
1999	2199	Lifting Presser Bar Lifting Arm Shaft Driving Lever Roller and Stud for 32131.....	20
2015	2193	Machine Thumb Screw Cushion, rubber (Accessories).....	02
2018	2186	Under Driver Dress Guard Screw Washer for 27889 and 27891.....	01
2102	2171	Tension Disc for 32113, obsolete.....	05
2273	2199	Lifting Presser Bar Lifting Arm Disengaging Lever Pin for 25-55 Machine.....	01
2762	2186	Under Driver Treadle Stop Collar with 362F, for 27640.....	10
2764	2166	Rock Shaft Hanger (back) with two wood screws 1 in. No. 10 for 32135.....	08
2766	2166	Rock Shaft Knee Arm Hub with 356C, for 16647.....	15
2767	2166	Rock Shaft Knee Plate with 356C, for 16647.....	18
2770	2166	Rock Shaft Spring Adjusting Dog with 356C, for 32135.....	12
2770	2166	Rock Shaft Stop Dog with 356C, for 32135.....	12
2878	1165	Under Driver Treadle Stand for 27642.....	15
3093	2171	Spool Bracket Dowel Pin.....	03
4879	2198	Chain Connecting Link for 4885.....	03
Nos. 4881 TO 4884 FOR 4885.			
4881	2166	Treadle.....	30
4882	2198	" Shaft.....	05
4883	2198	" Spring.....	10
4884	2166	" Stand.....	25
4885	2166	Treadle complete for 19093, Nos. 4879, 4881 to 4884 and two wood screws 1 in. No. 16.....	75
5564	3817	Band Wheel Shaft Driver (left) Clutch Spring Hook for 25428.....	01
5564	3817	Band Wheel Shaft Driver (right) Clutch Spring Hook for 25424.....	01
6337	2166	Rock Shaft Lifting Bracket with two 356C, for 32135.....	20
6338	2166	Rock Shaft Lifting Bracket Hook for 32135.....	15
6439	—	Chain, 36 in. to 45 in., for 19093.....	20
7071	2189	Binder Folder Screw Washer for 28835.....	01
7124	2166	Rock Shaft for 32135.....	10
7958	2186	Under Driver Driving Pulley Friction Ring Stop Pin for 27597.....	01

NO.	PLATE	NAME	EACH
7958	2186	Under Driver Driving Pulley Screw Centre Bearing Dowel Pin for 27597.	\$ 01
8554	2193	Looper Gate Stop Pin.....	02
8908	2198	Wrench for 1520 (Accessories).....	08
9079	1164	Under Driver Treadle Pitman Rod Clamp with 354c, for 27640.....	12
9082	2186	Under Driver Treadle Bearing Cotter Pin for 27642.....	01
9830	2189	Needle Bar Bushing (upper) for 32090 and 32121.....	25
9842	2193	Machine Base Screw Washer.....	02
9842	2193	" Thumb Screw Washer (Accessories).....	02
9843	2191	Machine Cushion, cloth (Accessories)....	02
14026	2199	Lifting Presser Bar Lifting Arm Pin for 25-55 Machine.....	01
14026	2199	Lifting Presser Bar Lifting Arm Shaft Driving Lever Pin for 25-55 Machine	01
16128	2166	Rock Shaft Hanger (front) with two wood screws 1 in. No. 10, for 32135...	08
16646	2166	Rock Shaft Knee Arm for 16647.....	10
16647	—	Rock Shaft Knee Arm complete for 32135, Nos. 2766, 2767 and 16646....	40
19011	2192	Feed Bar Carrier with four 457c.....	60
19014	2190	" Lifting Eccentric Sleeve.....	75
19015	2195	" Dog (medium or Milan).....	25
19018	2195	" " (fine or chip).....	25
19019	2190	" " Carrier.....	40
19020	2190	" " " Friction Spring.....	02
19021	2190	" " " " Washer	01
19025	2192	" Regulating Screw Stud Washer....	05
19033	2194	Lifting Presser Bar Lifting Arm Pin for 25-54 Machine, obsolete.....	01
19033	2194	Lifting Presser Bar Lifting Arm Shaft Driving Lever Pin for 25-54 Machine, obsolete.....	01
19034	2194	Lifting Presser Bar Spring (light) .0405 wire.....	02
19035	2194	Lifting Presser Bar Spring Bracket.....	25
19036	2172	Binder Lifting Presser Foot (narrow toe) for 28835.....	60
19040	2195	Lifting Presser Foot Guide (fine Canton)	60
19041	2195	" " " " (Milan).....	60
19042	2195	" " " " (tape).....	60

NO.	PLATE	NAME	EACH
19043	2195	Lifting Presser Foot Guide Adjusting Lever with 19045 and 19046.....	\$ 15
19044	2195	Lifting Presser Foot Guide Adjusting Lever Friction Washer.....	02
19045	2195	Lifting Presser Foot Guide Adjusting Lever Handle for 19043.....	05
19046	2195	Lifting Presser Foot Guide Adjusting Lever Pin for 19043.....	01
19047	2194	Lifting Presser Foot Washer (lower)....	02
19048	2193	Looper.....	60
19050	2193	" Gate Hinge Stud for 32063....	05
19054	2156	Plait Guide Friction Washer.....	02
19055	2156	" " Regulating Pinion.....	60
19056	2157	" " (inside edge) Nos. 19059 and 19060.....	15
19057	2157	Plait Guide (inside edge) Finger (narrow) with 1006A.....	20
19058	2157	Plait Guide (inside edge) Finger (wide) with 1007A.....	20
19059	—	Plait Guide (inside edge) Plate for 19056	10
19060	—	" " " " Rod for 19056.	15
19061	2157	" " (stationary) Nos. 19062 and 19063.....	15
19062	—	Plait Guide (stationary) Bracket for 19061.....	10
19063	—	Plait Guide (stationary) Rod for 19061.	10
19068	2189	Thread Controller Bracket.....	20
19070	2189	" " Guide Plate Stud for 32115.....	03
19071	2189	Thread Controller Releasing Rod.....	05
19075	2189	" Pull-off Lever with 1933.....	75
19076	2189	" " " Cam with two 460c.....	75
19078	2193	Throat Plate Steady Pin for 32067....	01
19079	2198	Wrench for 1027, 1083, 1628 and 1629 (Accessories).....	10
19080	2198	Lifting Lever for 19093 and 32041.....	35
19081	2193	" " Spring for 19093 and 32041.....	05
19082	2195	Lifting Presser Foot Guide Stud for 32073.....	03
19083	2195	Lifting Presser Foot Guide Stud for 32072.....	03
Nos. 19085 to 19090 for 19091			
19085	2162	Tip Plate.....	25
19086	2162	" " Arm.....	40

NUMERICAL LIST OF PARTS

NO.	PLATE	NAME	EACH
19087	2162	Tip Plate Locking Washer.....	\$ 25
19088	2162	" " " " Pin.....	01
19089	2162	" " Spring.....	02
19090	2162	" " Steady Pin.....	01
19091	—	Tip Plate complete, Nos. 691F, 1061F, 19085 to 19089 and two 19090.....	1 25
19092	2166	Machine Base with three wood screws 1¼ in. No. 12.....	50
19093	—	Foot Lifter complete, Nos. 21D, 4885, 6439, 19080 and 19081.....	1 50
19094	2195	Feed Dog (chip).....	25
19095	2195	Lifting Presser Foot Guide (chip).....	60
19099	2194	" " Bar Lifting Arm with 208D and 1083C, for 25-54 Machine, obsolete.....	50
24143	2194	Lifting Presser Bar Lifting Arm Shaft Lock Stud Spring for 25-54 Machine, obsolete.....	01
25027	2193	Belt Hook for 25199.....	01
25086	3825	Wrench for 1507, 1510 and 1670.....	10
25199	—	Belt, size ¾ in., length 60 in., with 25027, for 25258 and 25265.....	20
25200	3825	Wrench for 972.....	10
25258	—	Stand (iron work) high speed, complete, Nos. 25086, 25329, 25422 to 25424, 25426 to 25428, 25431, 25432, 25436, 25437, 25447 to 25449, two each 25349, 25350, 25425, 25429, 25433, 25434, 25451 and four each 534E, 748E, 1508E and 25446.....	—
25265	—	Stand (iron work) rocking treadle, ball bearing pitman, complete, Nos. 25086, 25200, 25301, 46520, 46521, 46524, two 46522 and four 748E.....	—
25301	3825	Band Wheel, 16 in. diam., with 972C, for 25265.....	1 15
25329	3813	Band Wheel, 16 in. diam., with 1312C, for 25258.....	1 25
25349	3813	Foot Rest for 25258.....	15
25350	3817	" " Cotter Pin for 25258.....	01
*25360	—	Pitman Rod Ball for 46523.....	10
25361	3826	" " " Screw Bearing for 46520.....	10
25362	3826	Pitman Ball, size ¾ in., for 46520, per 100.....	80
25371	3826	Pitman Rod Ball Bushing for 46520....	15

NUMERICAL LIST OF PARTS

NO.	PLATE	NAME	EACH
Nos. 25422 TO 25429 FOR 25258.			
25422	3815	Band Wheel Shaft Driver (right).....	\$ 20
25423	3815	" " " " " Clutch (left).....	10
25424	3815	Band Wheel Shaft Driver (right) Clutch (right) with 5564.....	10
25425	3817	Band Wheel Shaft Driver (left) Clutch Spring.....	05
25425	3817	Band Wheel Shaft Driver (right) Clutch Spring.....	05
25426	3815	Band Wheel Shaft Driver (left).....	20
25427	3815	" " " " " Clutch (left).....	10
25428	3815	Band Wheel Shaft Driver (left) Clutch (right) with 5564.....	10
25429	3815	Band Wheel Shaft Driving Flange with 356C.....	40
Nos. 25431 TO 25434 FOR 25258			
25431	3813	Driving Arm (left) with 435C and 25435	75
25432	3813	" " (right) with 435C and 25435.....	75
25433	3816	Driving Arm Hinge Pin.....	10
25434	3815	" Pinion.....	40
25435	3816	Foot Rest Hinge Pin for 25431 and 25432.....	10
25436	3813	Leg (left) for 25258.....	1 50
25437	3813	" (right) for 25258.....	1 60
Nos. 25446 TO 25449 FOR 25258			
25446	3817	Driving Segment Bolt Nut Washer.....	02
25447	3818	Band Wheel Shaft.....	40
25448	3818	Brace.....	1 20
25449	3818	Leg Stay Rod.....	40
25451	3813	Driving Segment (rack) for 25258.....	25
25539	2198	Stiletto (Accessories).....	05
26026	2198	Screw Driver, large (Accessories).....	10
26485	2198	" " small ".....	05
27070	1165	Under Driver Shaft Driving Pulley (sectional, grooved) 10 in. diam., 1¾ in. bore, with two 597C, for 27890 and 27892.....	45
27473	2186	Under Driver Cone Pulley Centre Bear- ing for 27595.....	08
27593	2198	Under Driver Brake (fibre) for 27594...	05
27594	1164	" " " Bracket with 27593 and two 327E, for 27889 and 27891...	25

NO.	PLATE	NAME	EACH
27595	1164	Under Driver Cone Pulley (grooved) two speed, 4½ in. and 5½ in. diam., with 27473, for 27889 and 27891	\$ 50
27596	1164	Under Driver Dress Guard (left hand) for 27891	15
27597	1164	Under Driver Driving Pulley (grooved) 6¼ in. diam., with 433c, 27598 and two 7958, for 27889 and 27891	75
27598	—	Under Driver Driving Pulley Friction Ring (leather) for 27597	05
27600	2186	Under Driver Driving Pulley Hollow Stud Position Stud for 27631	02
27601	1164	Under Driver Frame for 27889 and 27891	60
Nos. 27605 TO 27607 FOR 27889 AND 27891			
27605	1164	Under Driver Lever	35
27606	2186	" " " Centre Plug (wood)	01
27607	2198	" " " Spring	10
27631	2186	" " Driving Pulley Hollow Stud with 27600, for 27889 and 27891	15
27632	—	Under Driver Driving Pulley Hollow Stud Wick for 27633	01
27633	—	Under Driver Driving Pulley Hollow Stud Wick Wire with 27632, for 27889 and 27891	05
27636	1165	Under Driver Treadle for 27642	30
Nos. 27637 TO 27639 FOR 27640			
27637	1164	Under Driver Treadle Pitman Rod (lower)	05
27638	2186	Under Driver Treadle Pitman Rod (lower) Spring	03
27639	1164	Under Driver Treadle Pitman Rod (upper)	05
27640	1164	Under Driver Treadle Pitman complete for 27643, Nos. 2762, 9079 and 27637 to 27639	35
27642	—	Under Driver Treadle complete for 27643, Nos. 2878, 9082, 27636 and four wood screws 1 in. No. 16	45
27643	—	Under Driver Treadle and Pitman complete for 27890 and 27892, Nos. 27640 and 27642	80
27888	2166	Under Driver Dress Guard (right hand) for 27889	15

NO.	PLATE	NAME	EACH
27889	—	Under Driver Transmitter complete for 27890, Nos. 354c, 356c, 427E, 927c, 1508E, 2018, 27594, 27595, 27597, 27601, 27605 to 27607, 27631, 27633, 27888, three wood screws 1½ in. No. 16, four 307c and five 1513E	\$3 50
27890	—	Under Driver, lever pressure (right hand) two speed, complete, Nos. 27070, 27643 and 27889	4 75
27891	—	Under Driver Transmitter complete for 27892, Nos. 354c, 356c, 427E, 927c, 1508E, 2018, 27594 to 27597, 27601, 27605 to 27607, 27631, 27633, three wood screws 1½ in. No. 16, four 307c and five 1513E	3 50
27892	—	Under Driver, lever pressure (left hand) two speed, complete, Nos. 27070, 27643 and 27891	4 75
28834	2172	Binder Folder for 28835	3 00
28835	2172	Binder complete, for binding straw braid, Nos. 219F, 7071, 19036 and 28834	3 60
32004	2194	Lifting Presser Bar Lifting Arm Shaft Driving Lever Roller for 32106, obsolete	10
32005	2194	Lifting Presser Bar Lifting Arm Shaft Driving Lever Roller Pin for 32106, obsolete	03
Nos. 32007 TO 32009 FOR 32010			
32007	2156	Plait Guide (lower)	65
32008	2156	" " (upper)	50
32009	2156	" " " Lock Spring	03
32010	—	Plait Guide complete, Nos. 662D, 836D, 32007 to 32009 and 32039	1 25
32012	2171	Tension Disc, obsolete	10
32022	2191	Machine Cushion (cloth)	02
32033	2188	Arm Rock Shaft	50
32034	2189	" " " Crank (back) with 1259c and 1439c	35
32035	2189	Arm Rock Shaft Crank (front) with 1259c and 1266c	1 00
32038	2194	Lifting Presser Bar Spring (heavy) .047 wire	03
32039	2156	Plait Guide (upper) Friction Washer for 32010	01
32040	—	Chain, 12¾ in. long, for 32041	10

NUMERICAL LIST OF PARTS

NO.	PLATE	NAME	EACH
32041	—	Knee Lifter complete (power table) Nos. 21D, 19080, 19081, 32040 and 32135.....	\$2 15
32053	2191	Feed Bar with 32054 and two 401E....	60
32054	2190	" " Supporting Plate for 32053....	15
32055	2192	" Connecting Rod with 1012E, 42009 and two 1057E.....	60
32056	2170	Feed Dog.....	25
32057	2192	" Eccentric with two 457C.....	50
32058	2190	" Lifting Eccentric with two 453C..	60
32059	2170	" " " " Cover.....	50
32060	2170	" " " " Bracket..	20
32061	2157	Lifting Presser Foot (narrow toe).....	60
32062	2157	" " " Washer (upper)....	02
32063	2193	Looper Gate with 19050.....	20
32067	2170	Throat Plate with two 19078, for 19015, 19018, 19094, 32056 and 32071.....	40
32069	2157	Lifting Presser Foot (wide toe).....	60
32071	2170	Feed Dog.....	25
32072	2157	Lifting Presser Foot Guide (Canton) with 19083.....	60
32073	2157	Lifting Presser Foot Guide (coarse Canton) with 19082.....	60
32075	2171	Tension Bracket with 246F and two 460C, for 32113 and 32133.....	80
Nos. 32077 TO 32081 FOR 32113 AND 32133			
32077	2171	Tension Screw Stud Bushing.....	30
32078	2171	" " " " Handle....	20
32079	2171	" Spring.....	02
32080	2171	" " Bushing.....	05
32081	2171	" " Sleeve.....	10
32082	2171	" Thread Guard for 32113.....	05
32083	2196	Spool Spindle for 32084.....	25
32084	—	Spool Spindle complete, Nos. 32083, 32086, 32087, 32089, 50159B and 50160C.....	1 05
32085	2196	Spool Spindle Washer (felt) for 32086..	02
32086	2196	" " " (steel) with 32085, for 32084.....	10
32087	2196	Thread Guiding Disc with two 32088, for 32084.....	50
32088	2196	Thread Guiding Disc Bushing (cellu- loid) for 32087.....	05
32089	2196	Thread Guiding Disc Washer for 32084	02
*32090	—	Arm, upper and lower (solid) with 9830, 32110 and two 624C, for 25-54 Machine, obsolete.....	10 00

NUMERICAL LIST OF PARTS

NO.	PLATE	NAME	EACH
32091	2188	Arm End Cover.....	\$ 50
32092	2188	" Rotary Shaft with 1019C.....	80
32093	2192	" " " Collar with two 457C	25
32094	2188	Balance Wheel and Connecting Rod Eccentric with 1285C.....	1 25
32095	2188	Connecting Rod with 32096 and two 1057E.....	60
*32096	—	Connecting Rod Cap for 32095.....	—
32097	2190	Face Plate.....	40
32098	2192	Feed Bar Carrier Hinge Pin.....	75
32098	2192	" " Hinge Pin.....	75
32099	2194	Lifting Presser Bar.....	40
Nos. 32100 TO 32107 FOR 25-54 MACHINE, OBSOLETE			
32100	2194	Lifting Presser Bar Guide and Lifting Bracket.....	40
32101	2194	Lifting Presser Bar Lifter.....	05 25
32102	2194	" " " Lifting Arm Position Spring.....	05
32103	2194	Lifting Presser Bar Lifting Arm Shaft	25
32104	2194	" " " " " " "	25
32105	2194	Lifting Presser Bar Lifting Arm Shaft Driving Lever for 32106.....	65
32106	—	Lifting Presser Bar Lifting Arm Shaft Driving Lever complete, Nos. 32004, 32005 and 32105.....	75
32107	2194	Lifting Presser Bar Lifting Arm Shaft Lock Stud.....	05
32108	2193	Looper Gate Spring.....	03
32109	2193	Needle Bar (hollow) obsolete.....	50
32110	2189	" " Bushing (lower) for 32090 and 32121.....	25
32111	2189	Needle Bar Connecting Stud with 195E and 1296C.....	30
32112	2191	Spool Bracket with 1009C.....	60
32113	—	Tension Bracket complete, Nos. 1712C, 32075, 32077 to 32081, 32572, 50080C and two each 32082 and 32120.....	2 20
32114	2193	Tension Thread Guard, obsolete.....	25
32115	2189	Thread Controller Guide Plate with 19070.....	50
32116	2189	Thread Controller Spring.....	05
32117	2193	" Eyelet (head of arm).....	05
32118	2189	Needle Bar (hollow) for self-setting needle.....	50

PLATE 1164—ONE-FOURTH SIZE

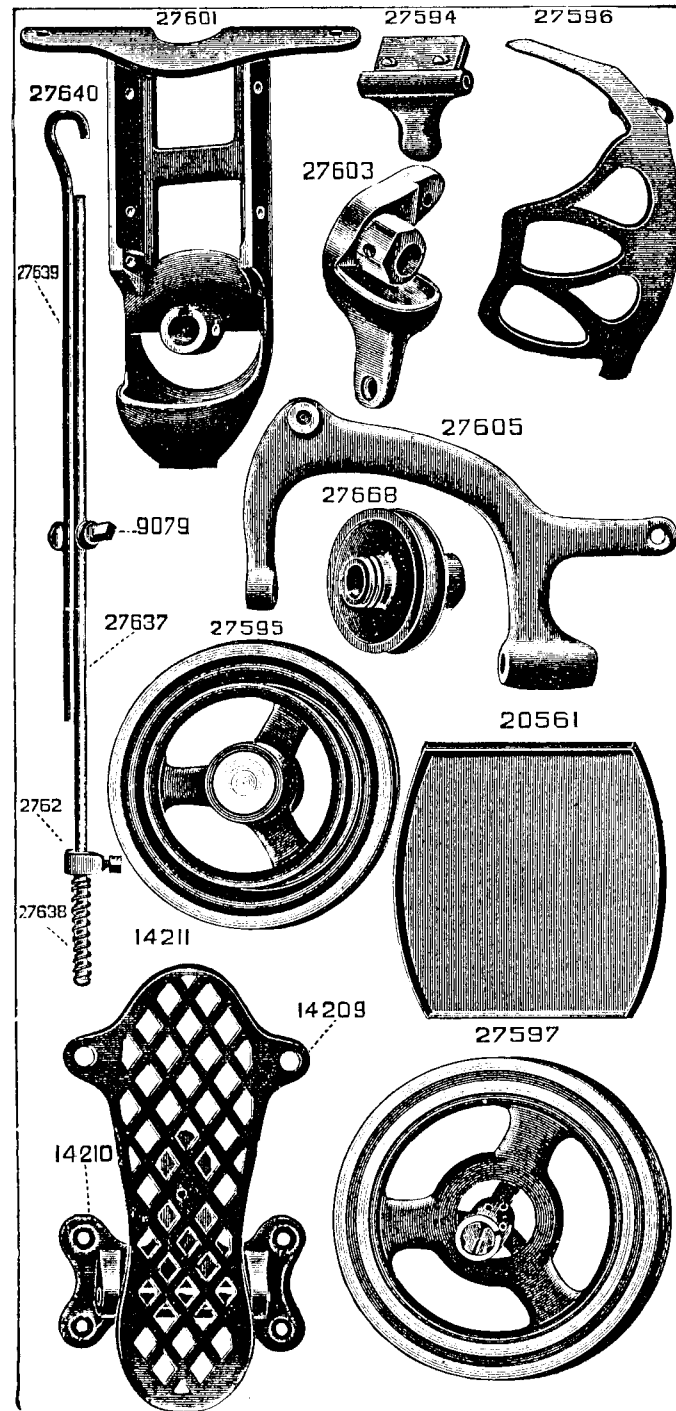
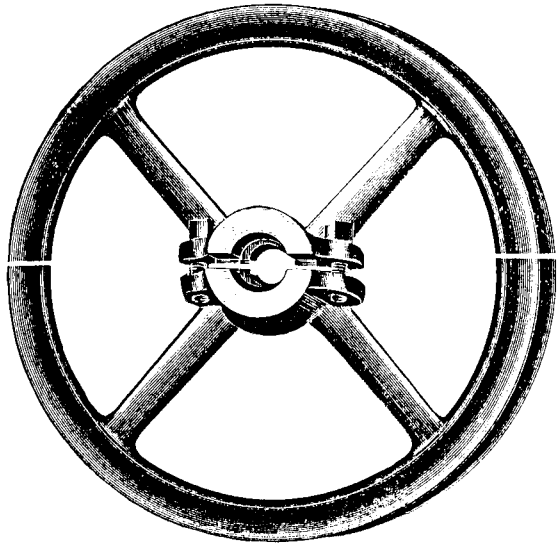
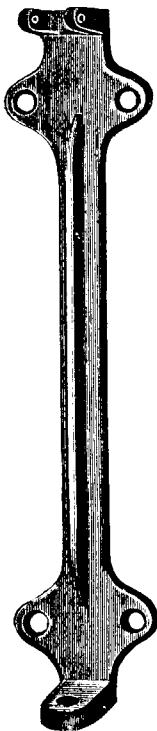


PLATE 1165—ONE-FOURTH SIZE

27070



2878



27636

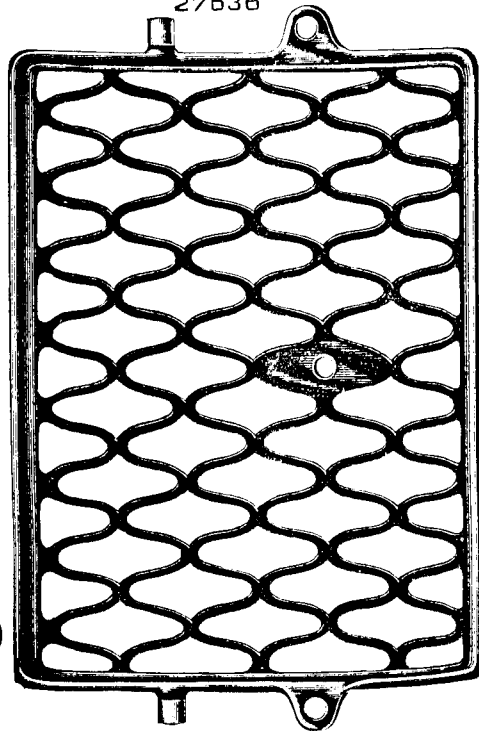
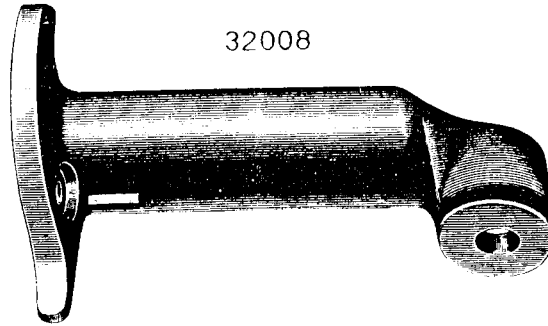
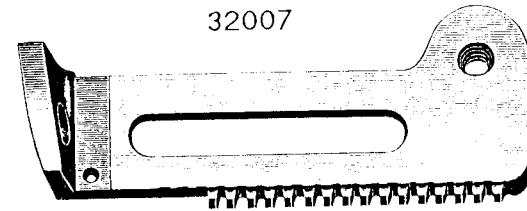


PLATE 2156—FULL SIZE

32008



32007



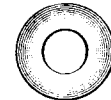
32009



662



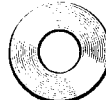
32039



836



19054



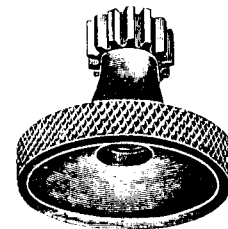
1004



1005



19055



19065

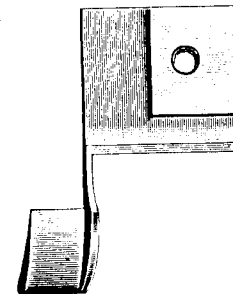


PLATE 2157—FULL SIZE

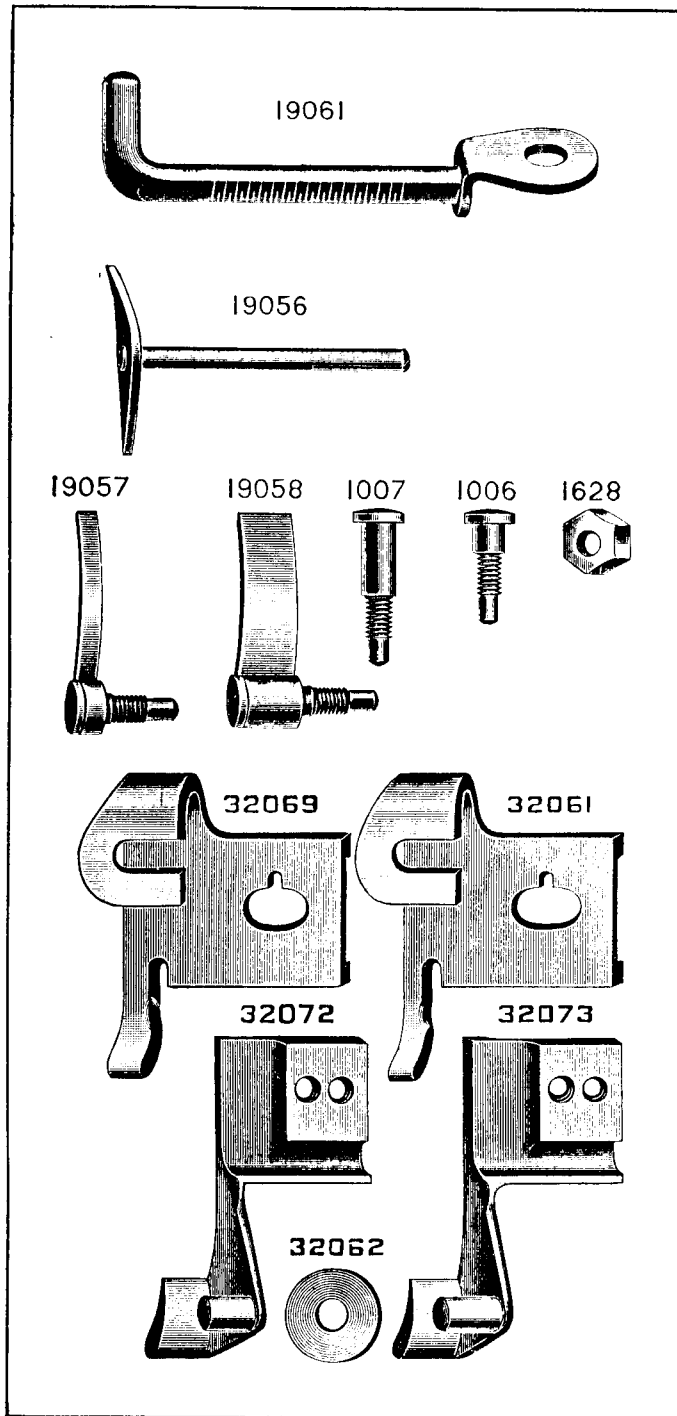


PLATE 2162—FULL SIZE

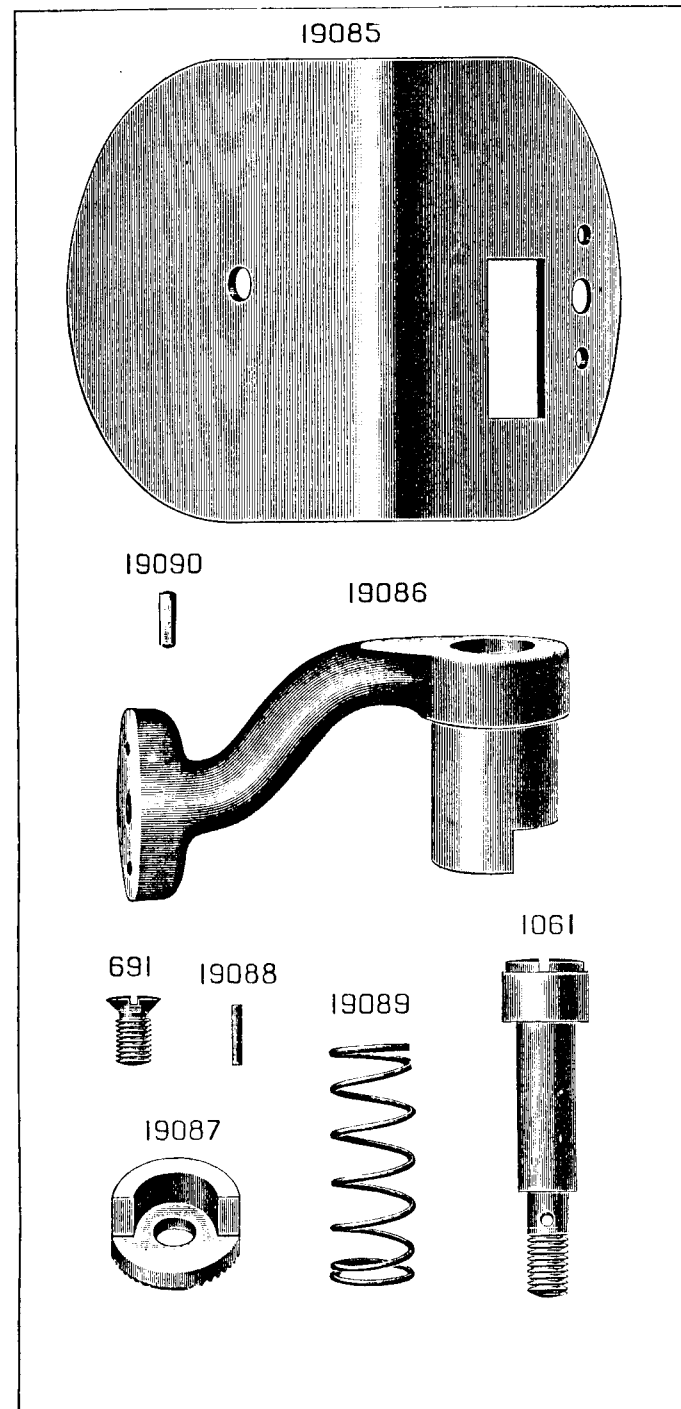


PLATE 2166—ONE-FOURTH SIZE

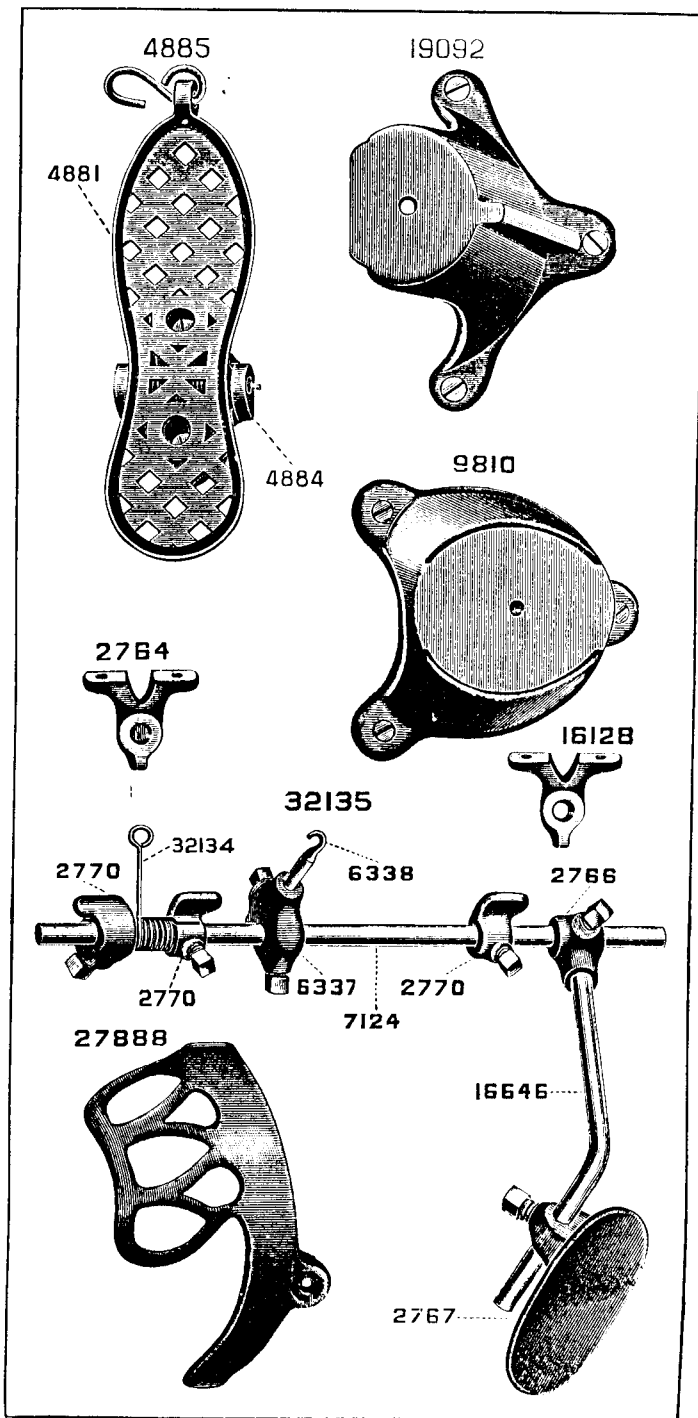


PLATE 2170—FULL SIZE

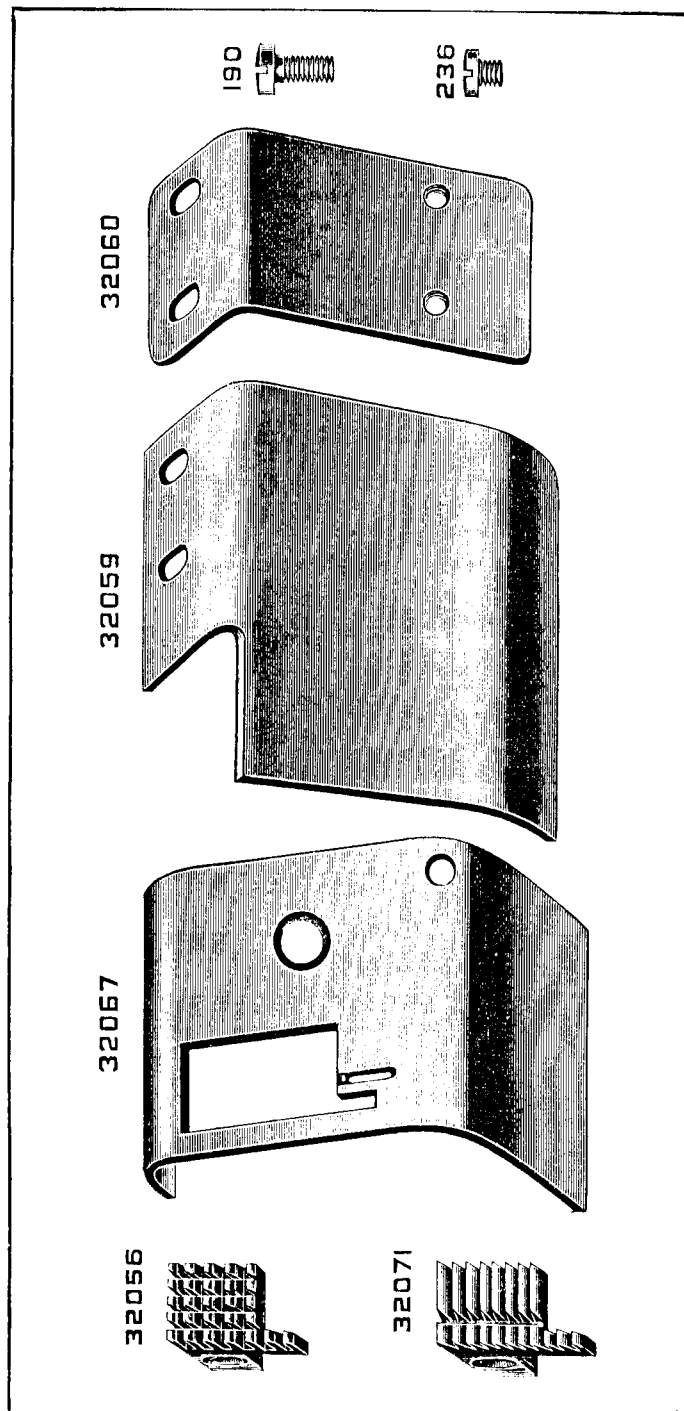


PLATE 2171—FULL SIZE

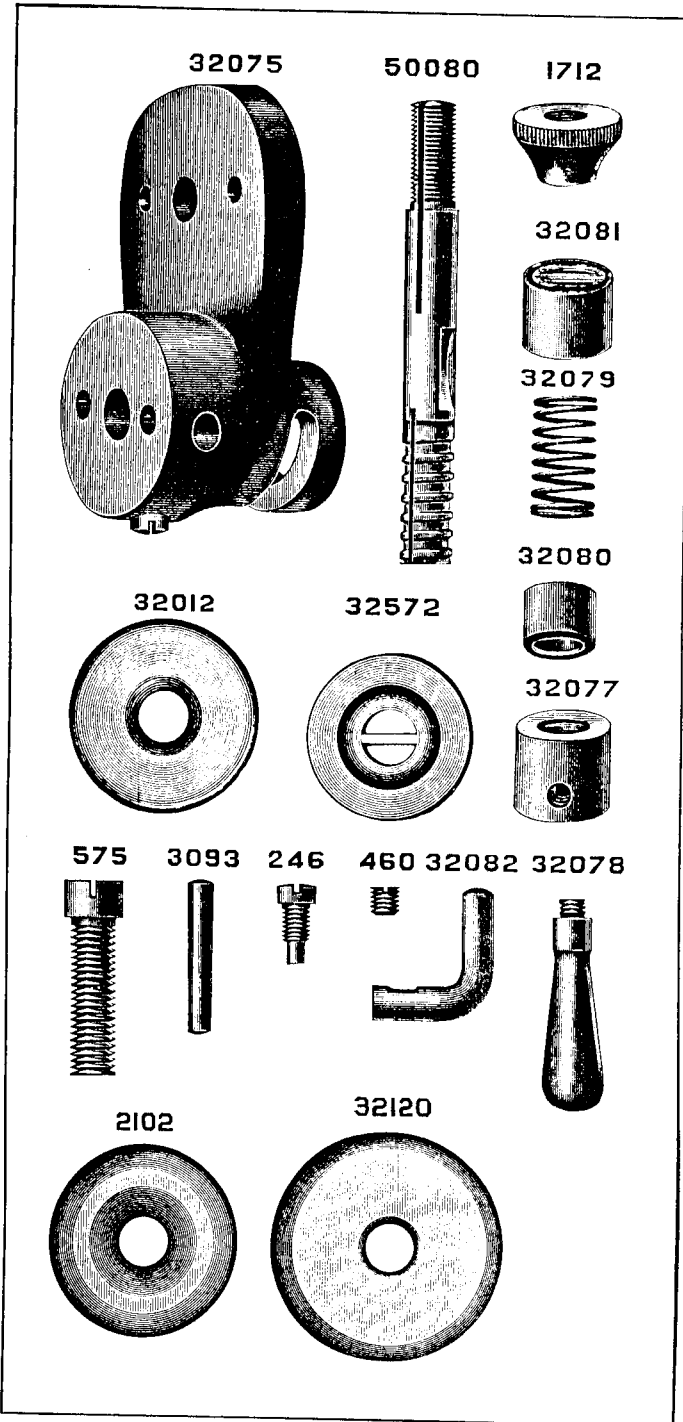


PLATE 2172—FULL SIZE

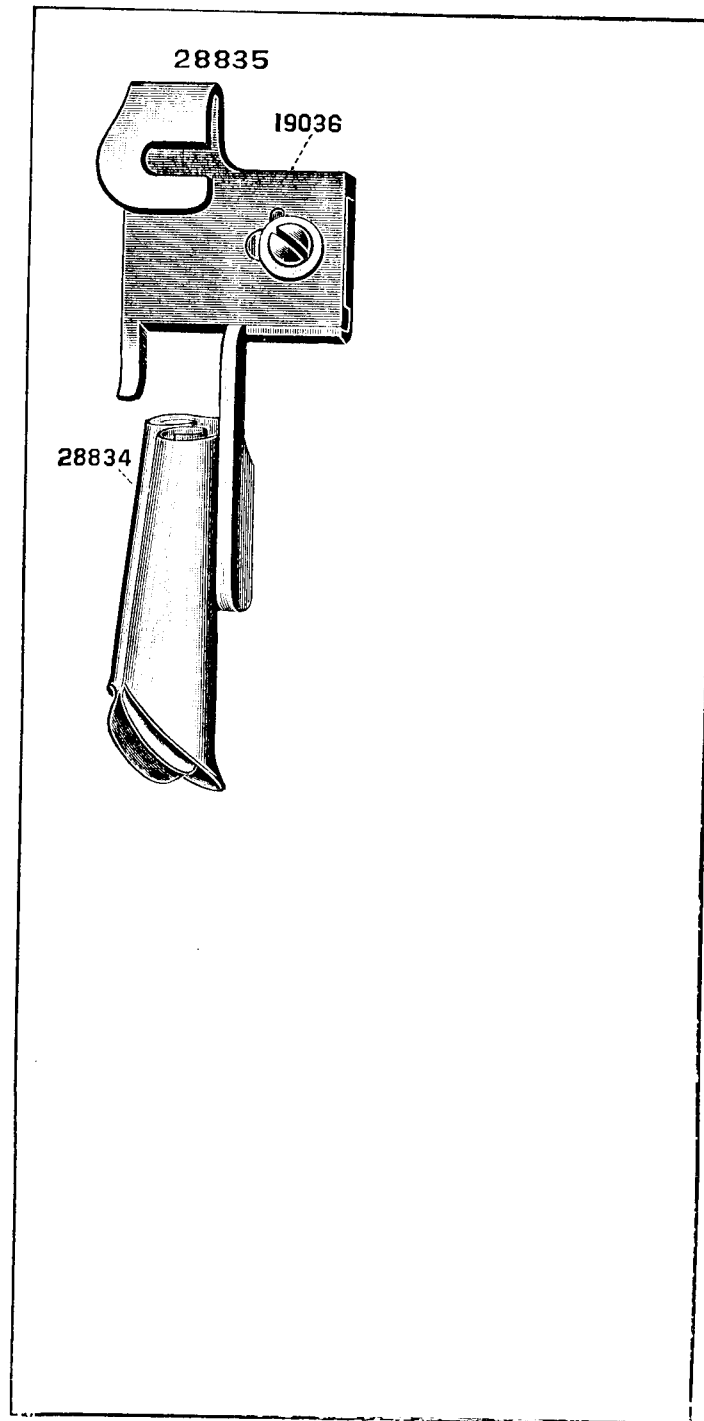


PLATE 2183—FULL SIZE

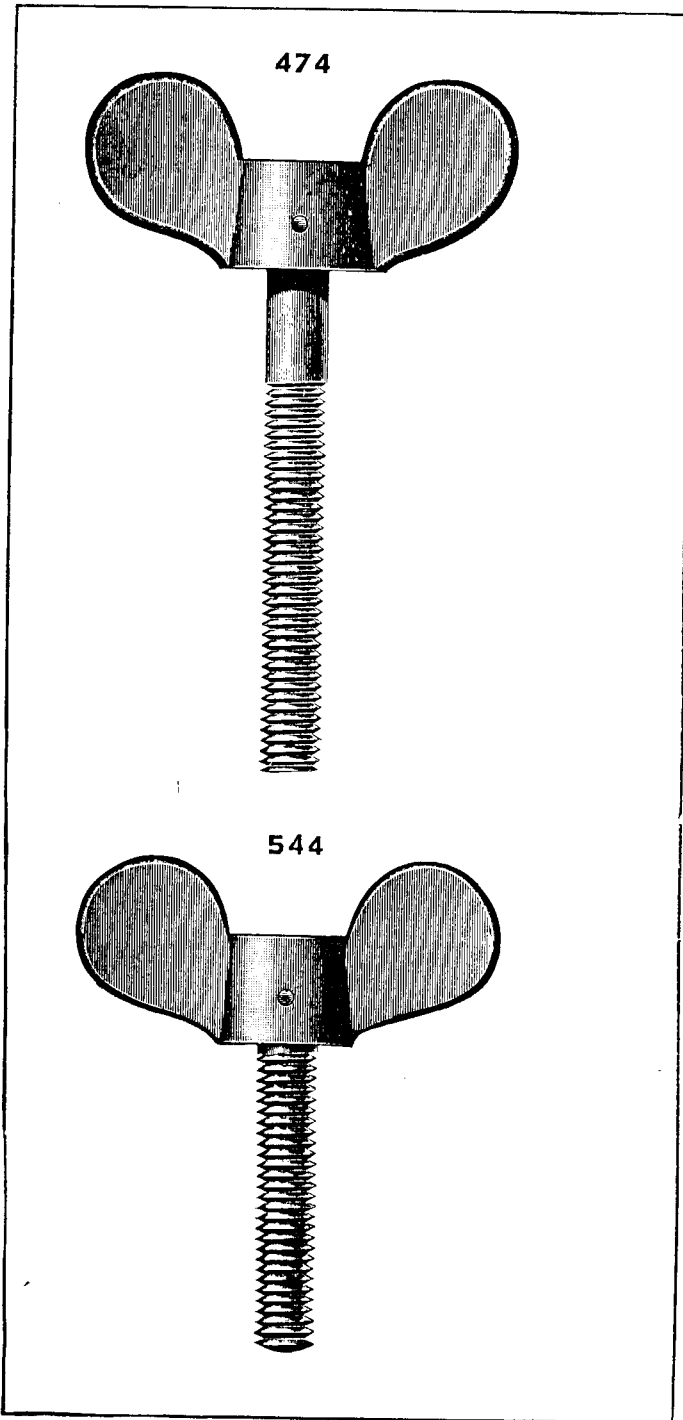


PLATE 2186—FULL SIZE

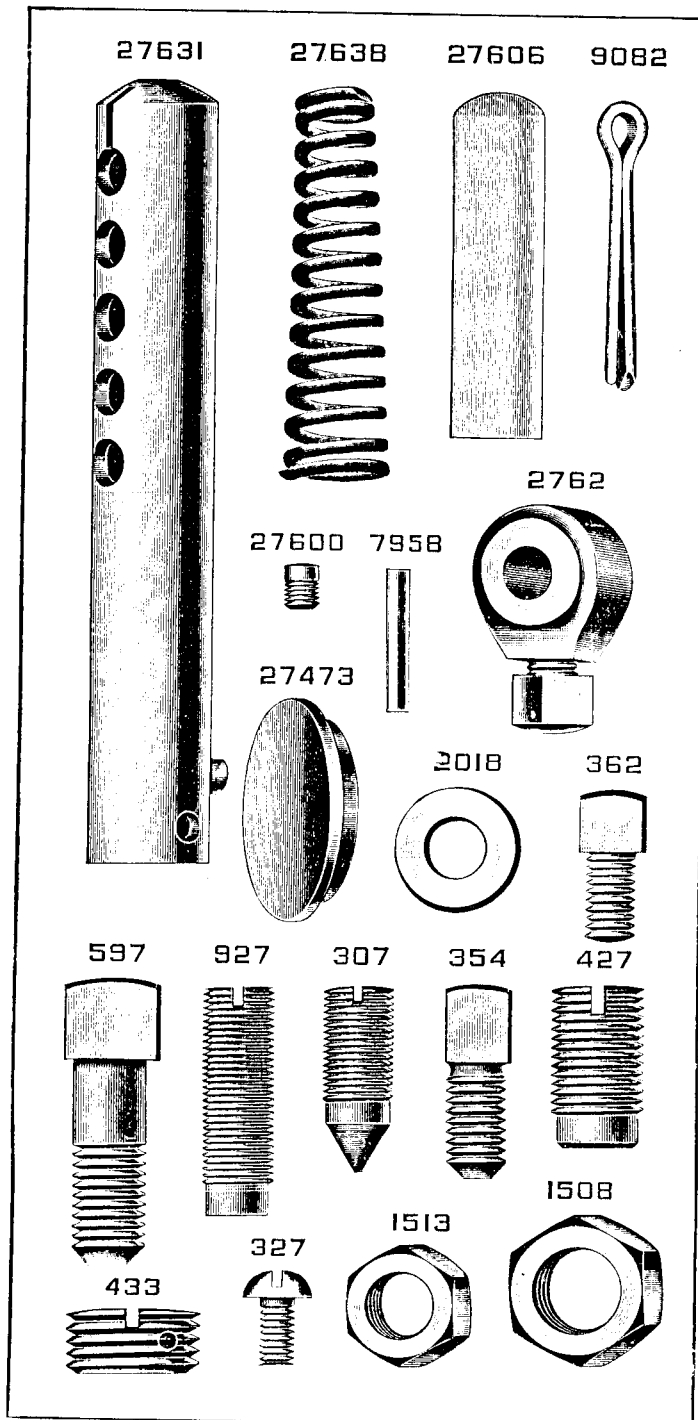


PLATE 2188—ONE-HALF SIZE

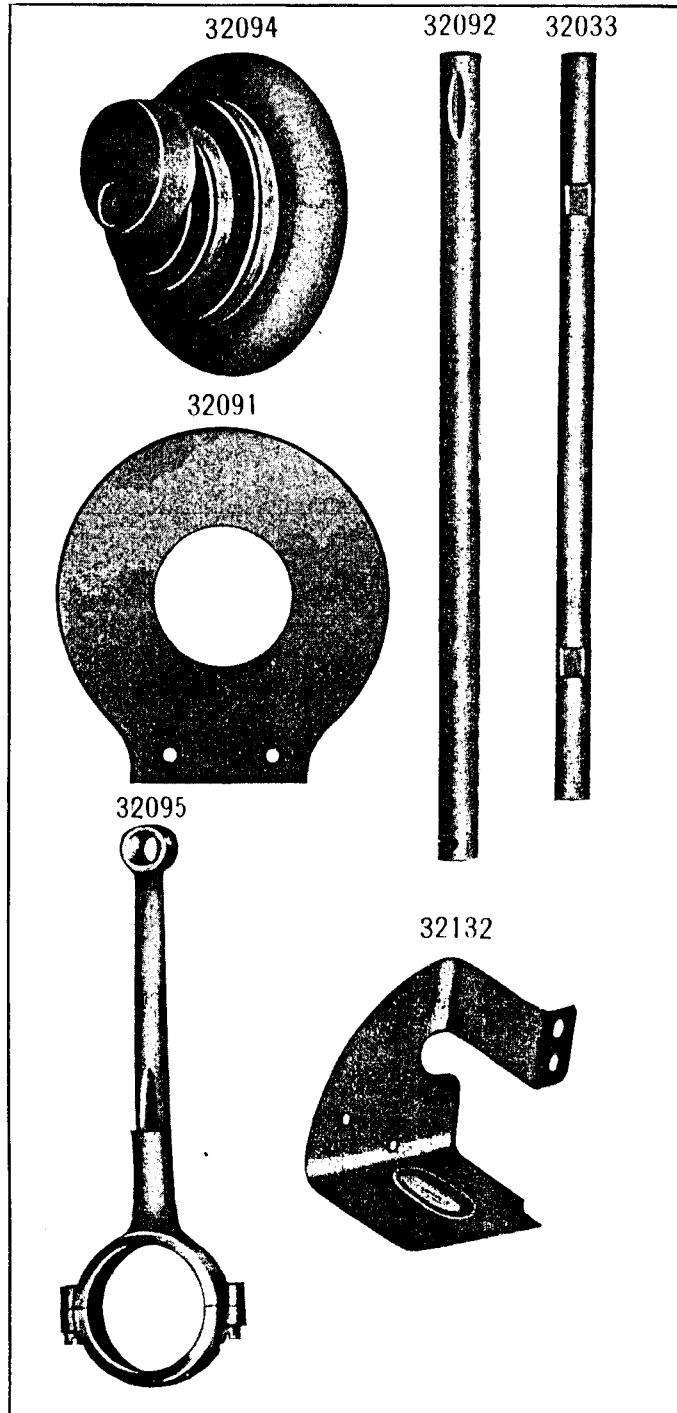


PLATE 2189—FULL SIZE

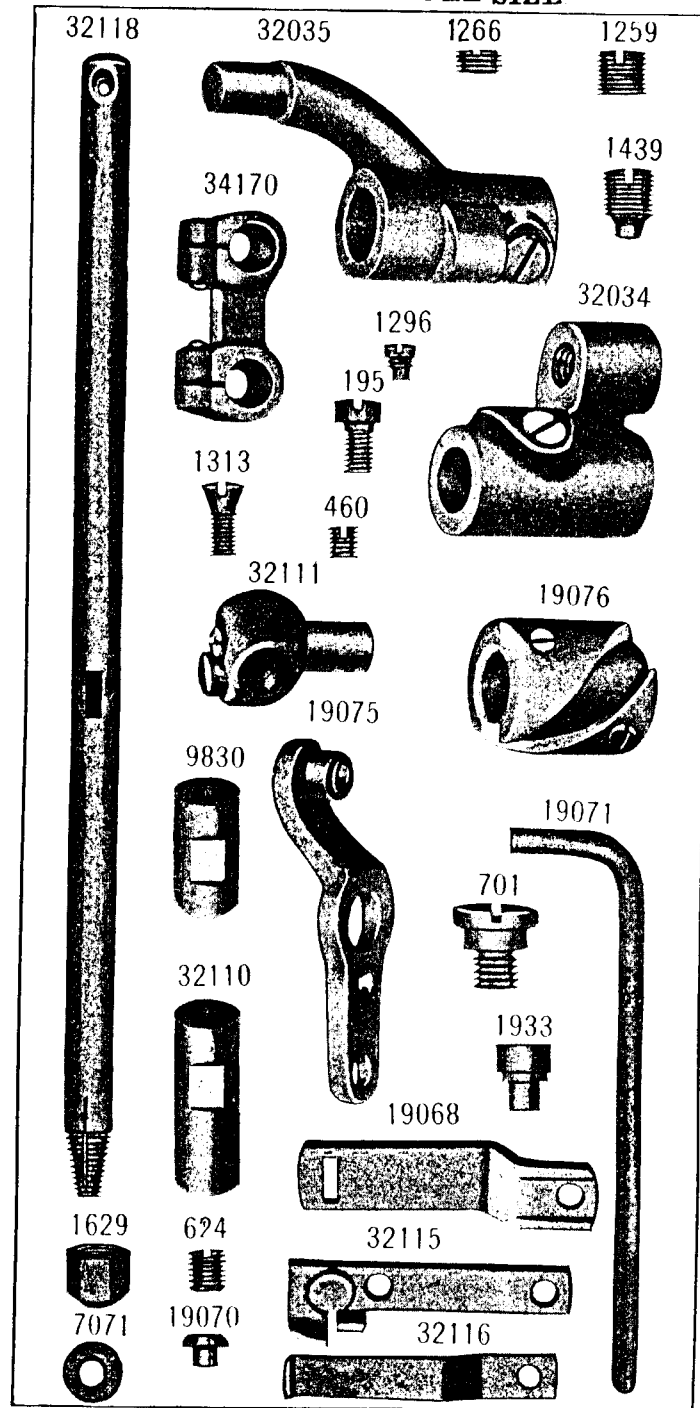
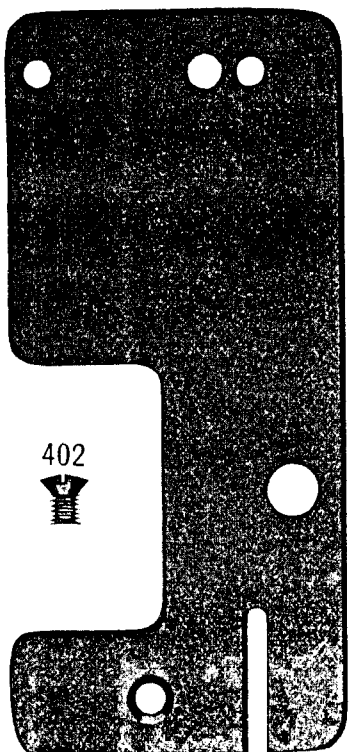


PLATE 2190—FULL SIZE

32097



402



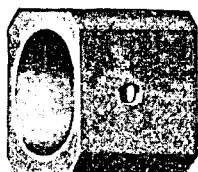
32054



401



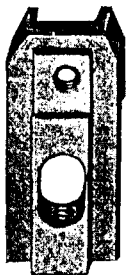
19014



32058



19019



995



996



19020



453



997



19021

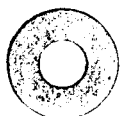
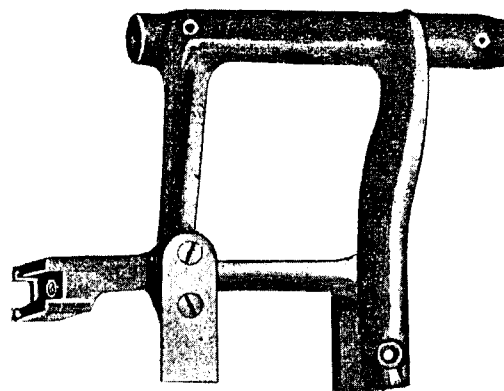
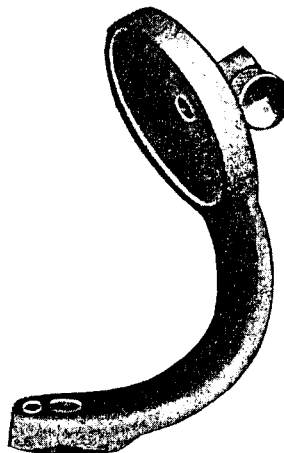


PLATE 2191—ONE-HALF SIZE

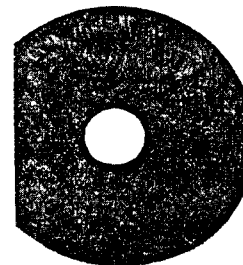
32053



32112



32022



9843

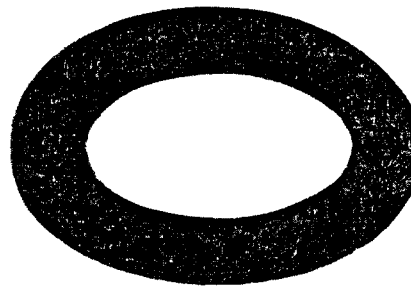


PLATE 2192—FULL SIZE

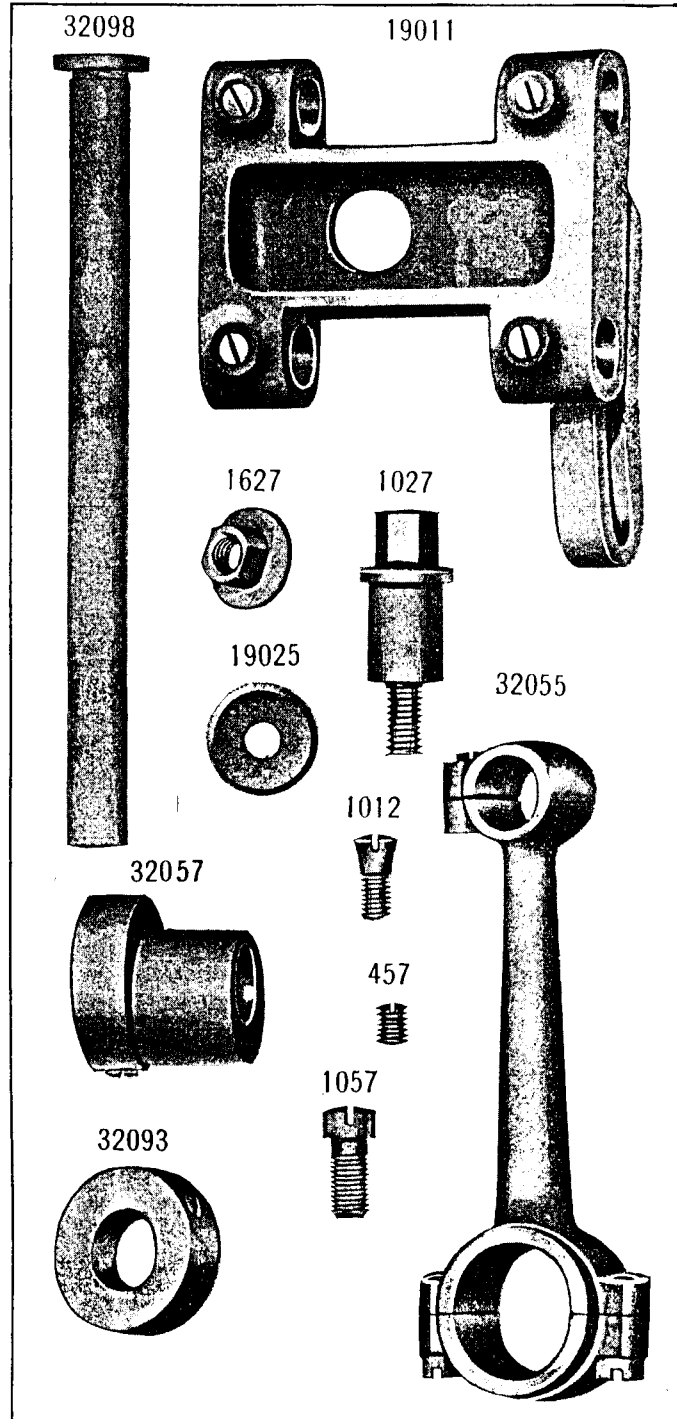


PLATE 2193—FULL SIZE

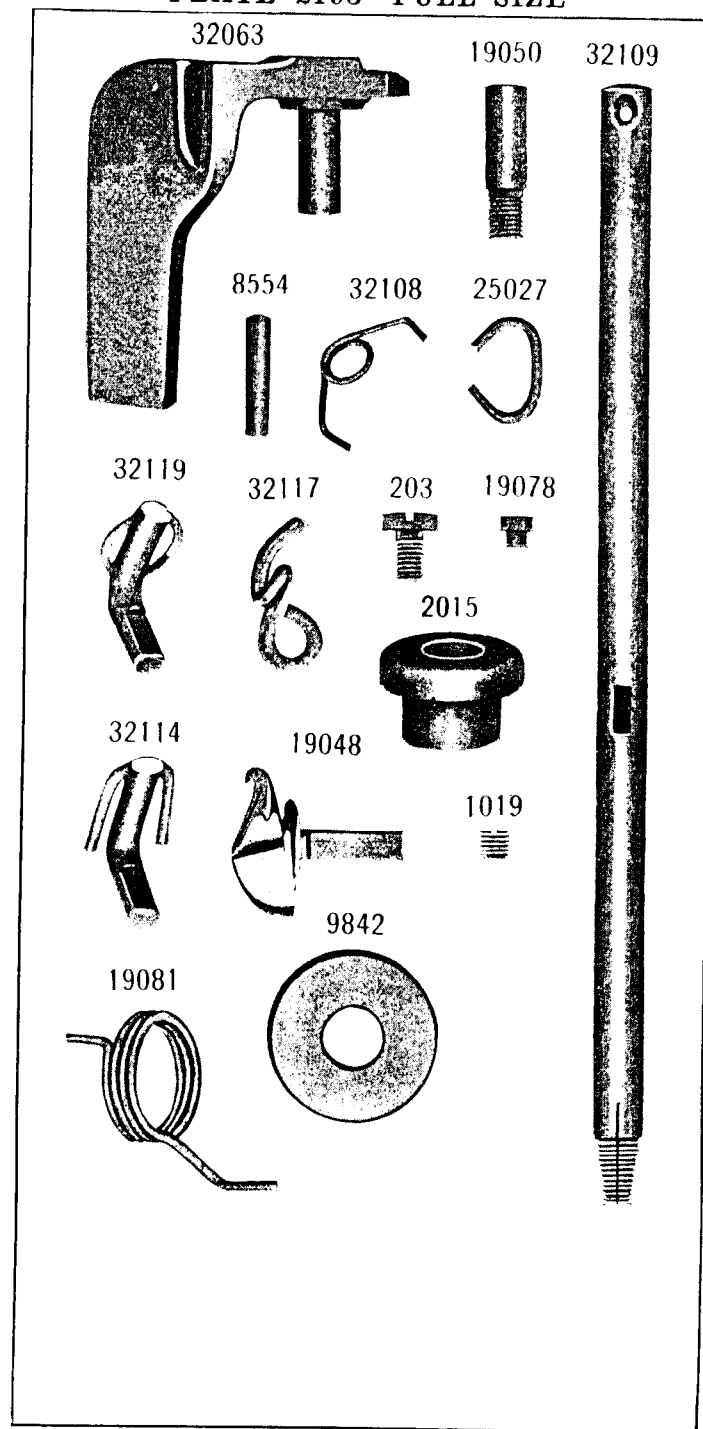


PLATE 2194—FULL SIZE

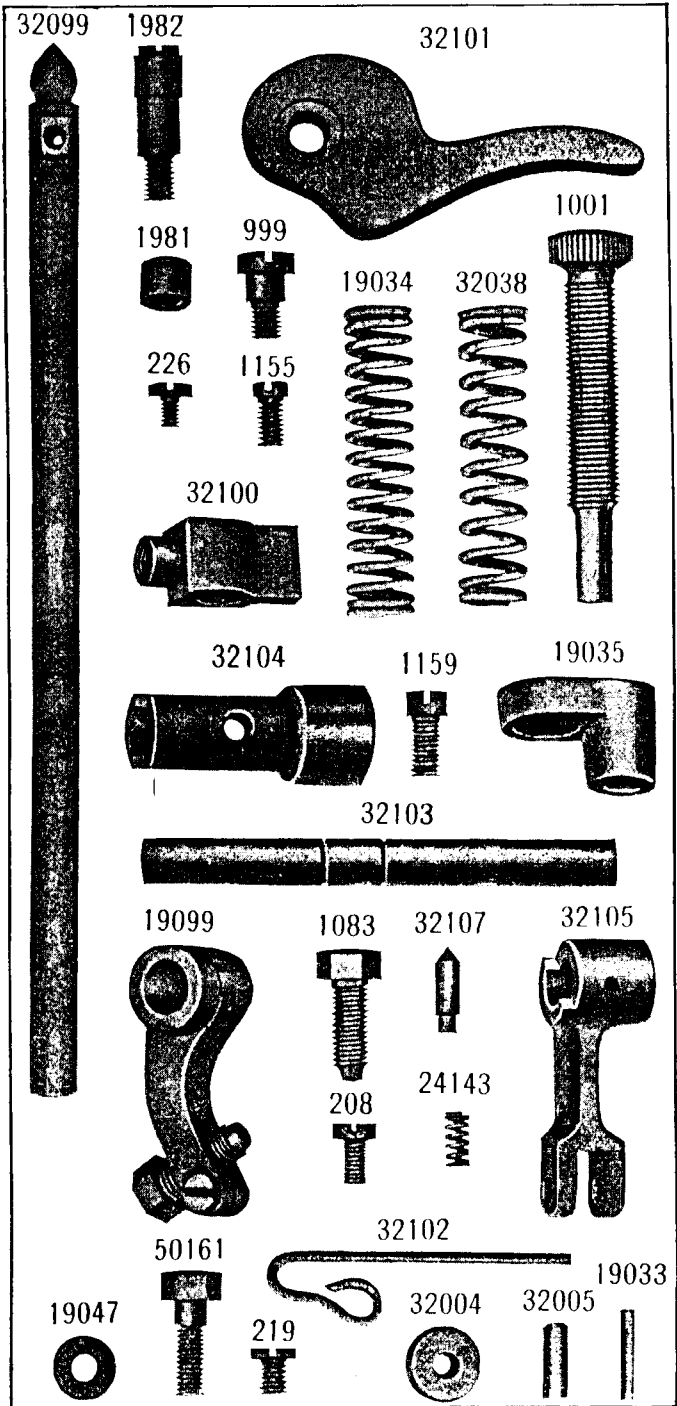


PLATE 2195—FULL SIZE

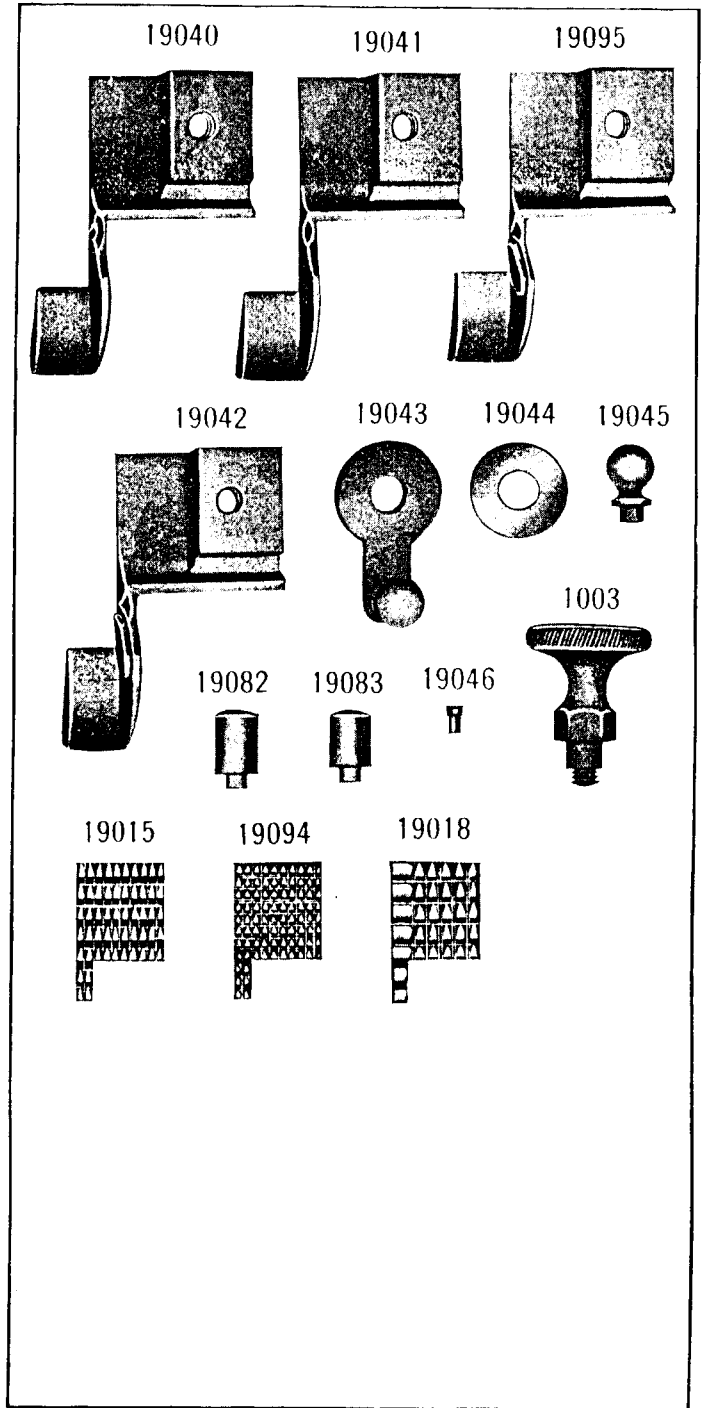


PLATE 2196—FULL SIZE

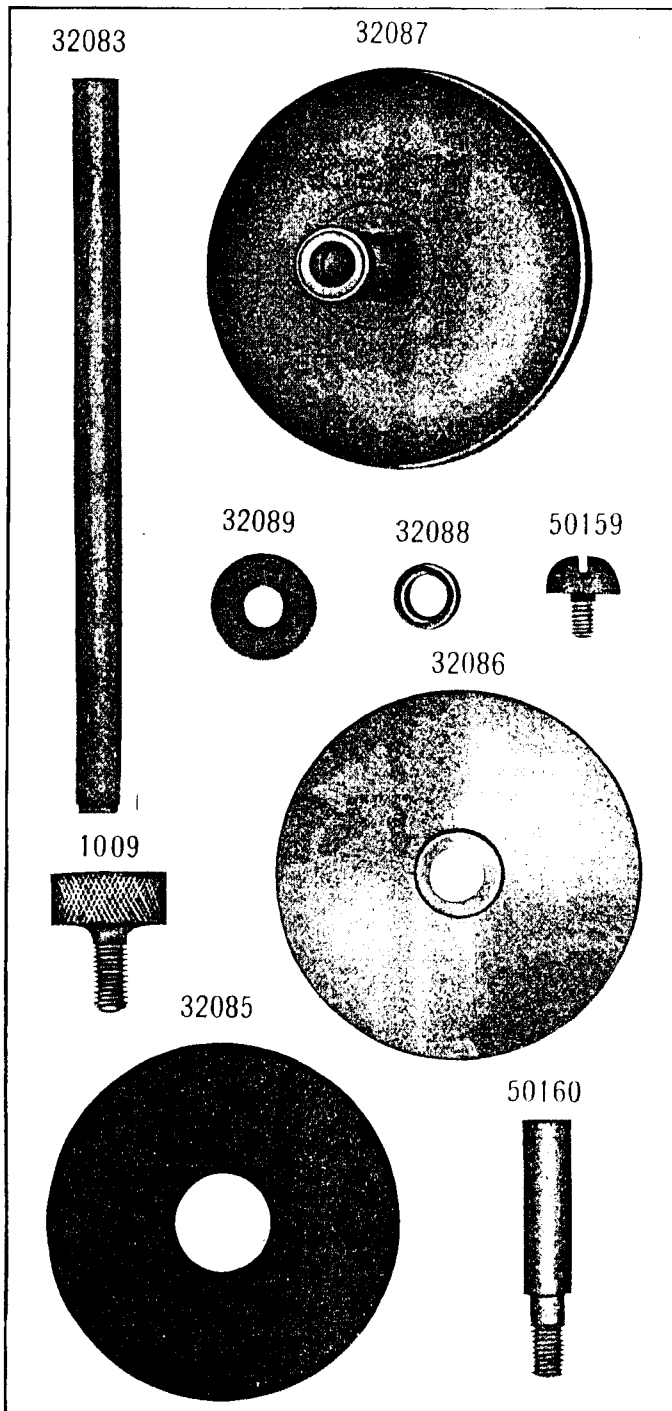


PLATE 2197—FULL SIZE

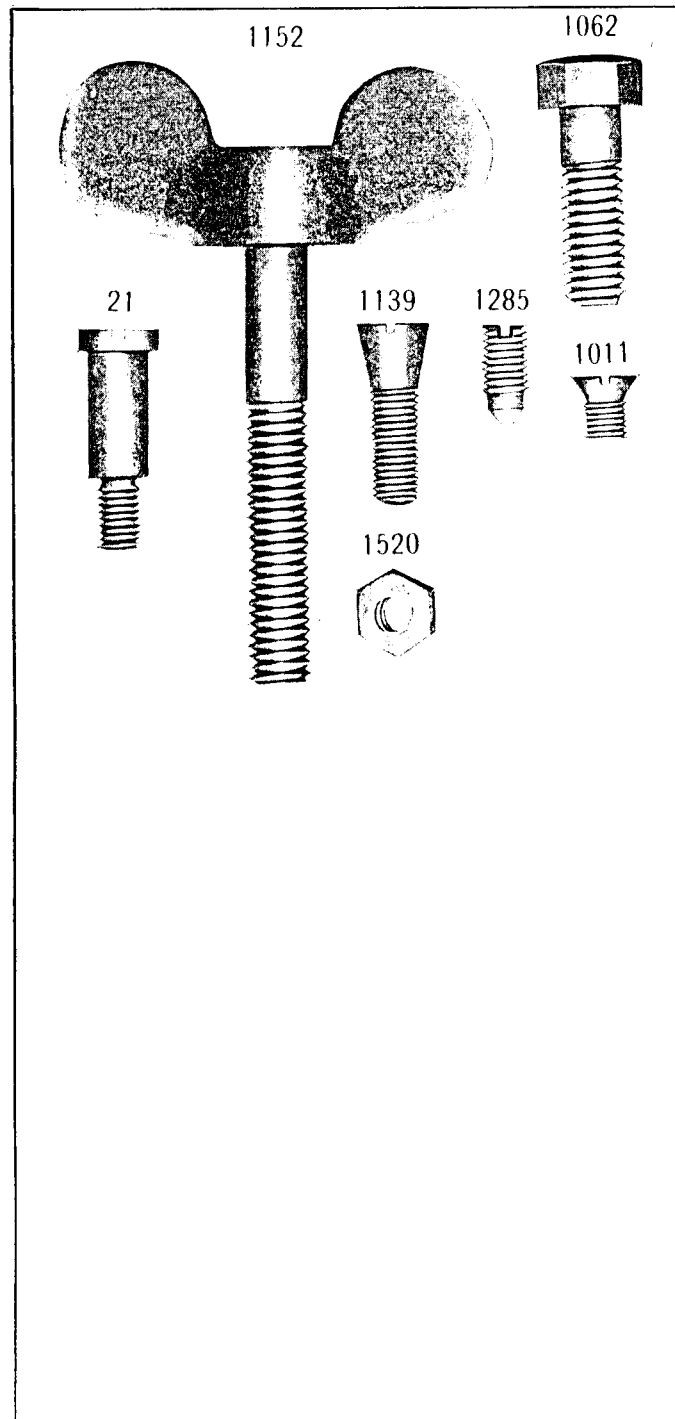


PLATE 2198—ONE-HALF SIZE

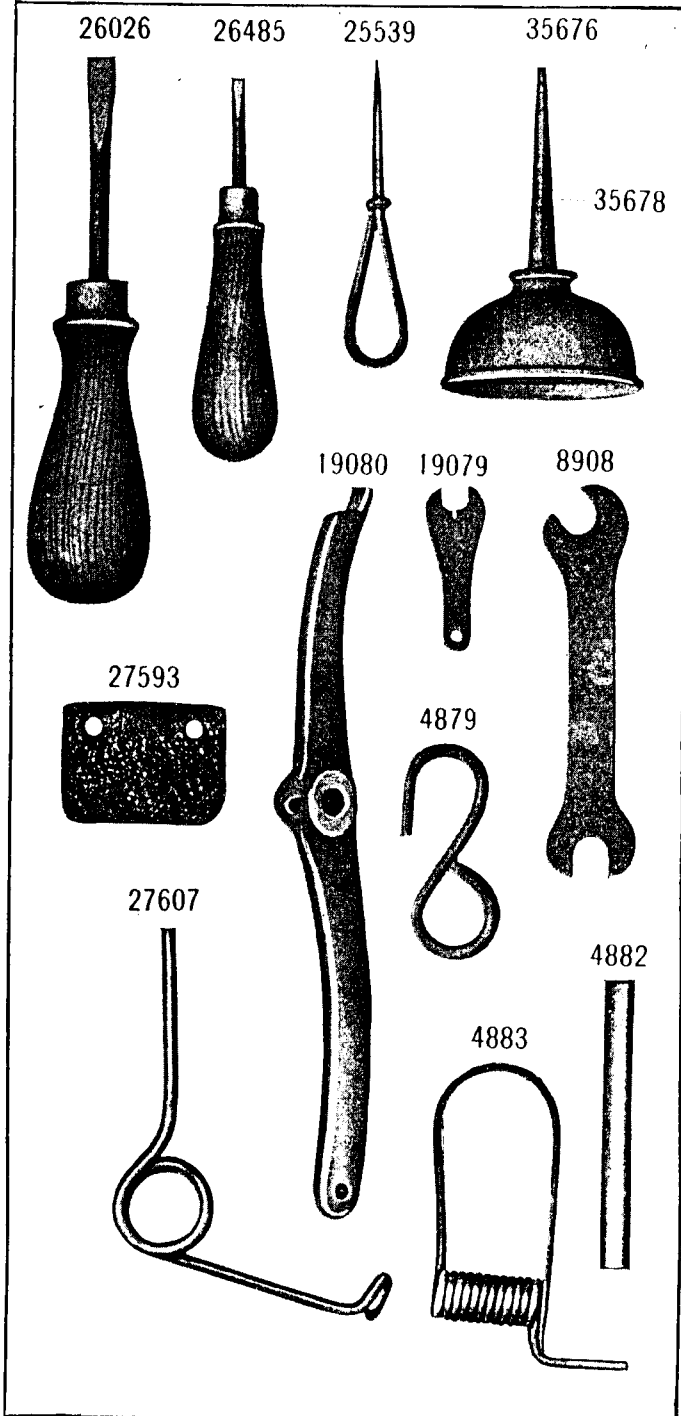


PLATE 2199—FULL SIZE

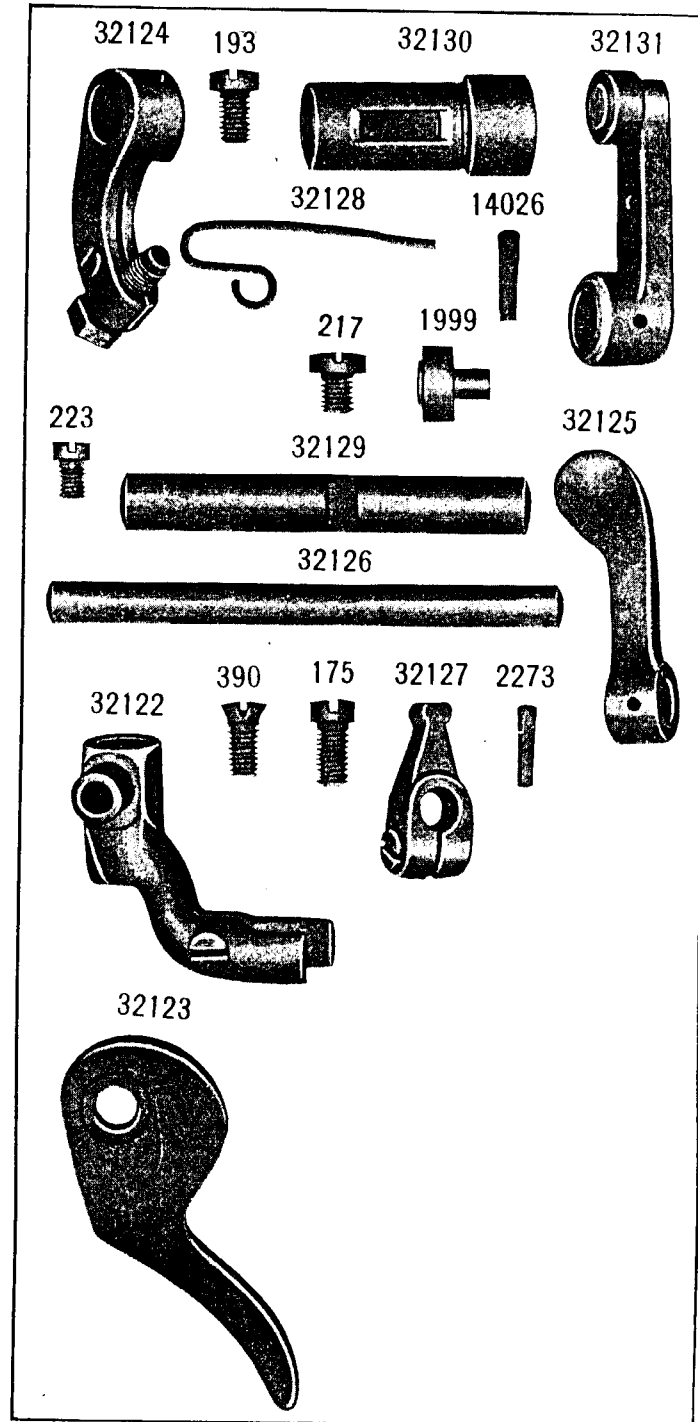


PLATE 3813—ONE-NINTH SIZE

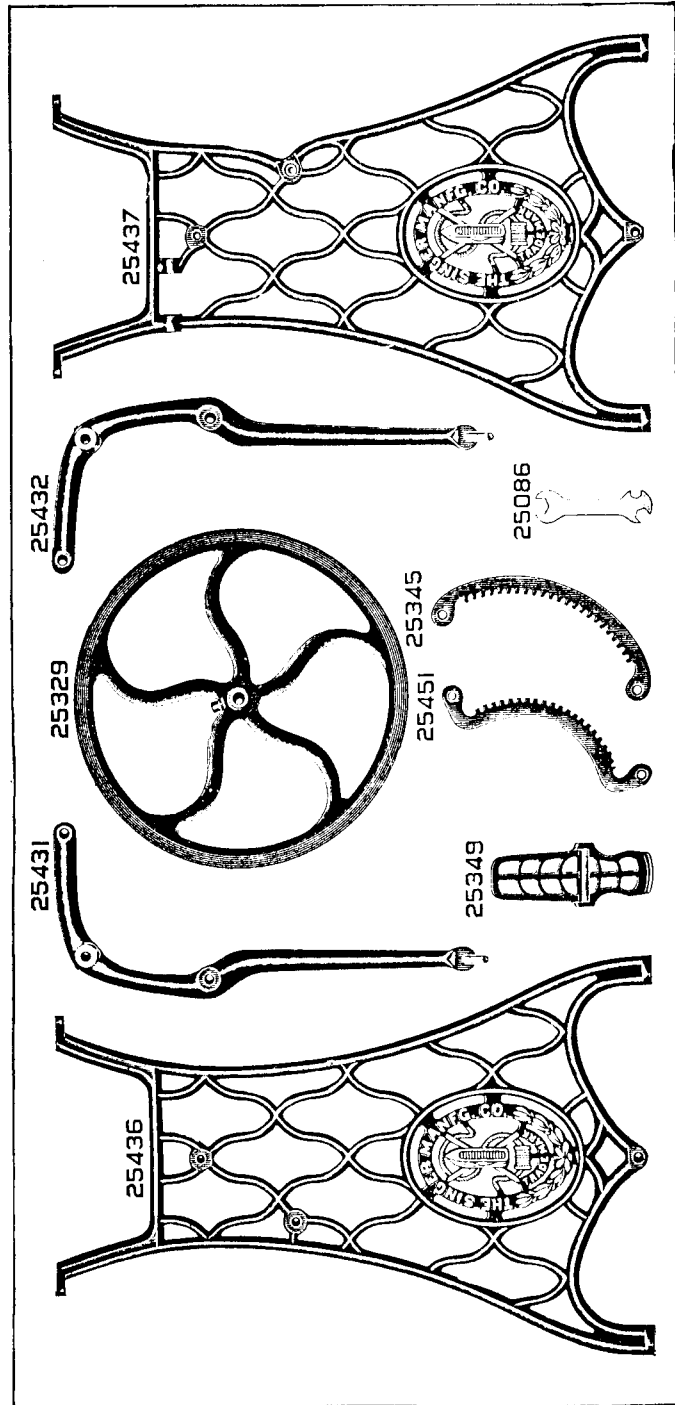


PLATE 3815—ONE-HALF SIZE

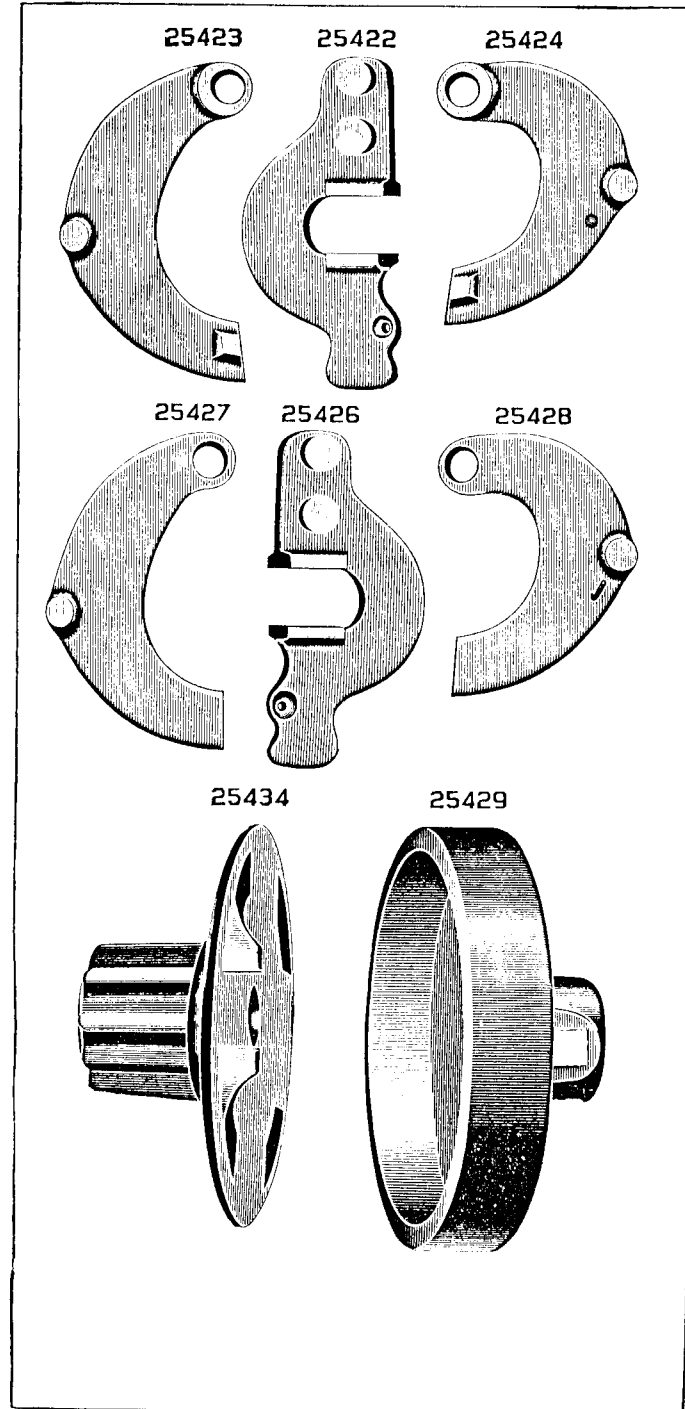


PLATE 3816—ONE-HALF SIZE

25435 25433 25419 25330 25420

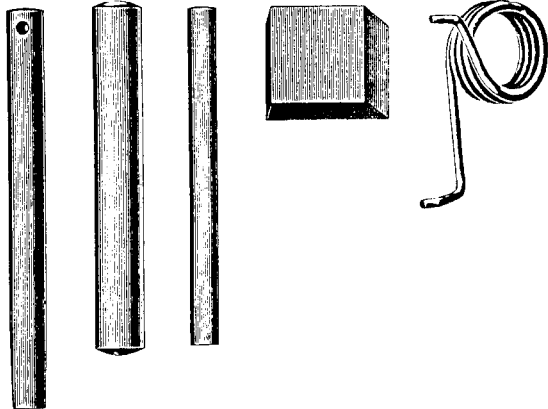
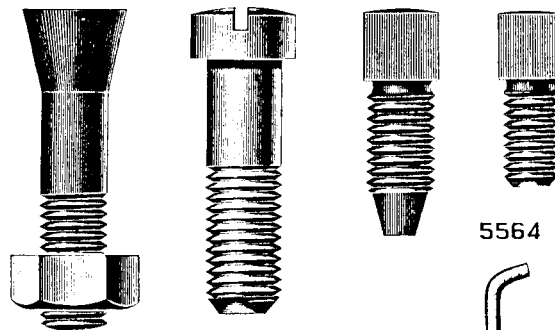


PLATE 3817—FULL SIZE

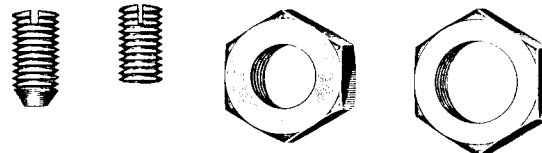
534 748 1312 356



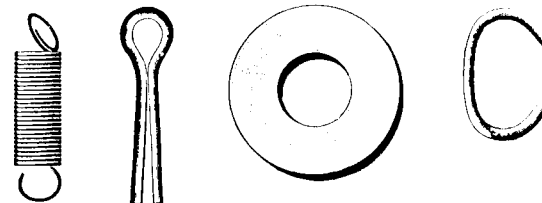
5564



435 443 1510 1508



25425 25350 25446 25127



25028



PLATE 3818—ONE-NINTH SIZE

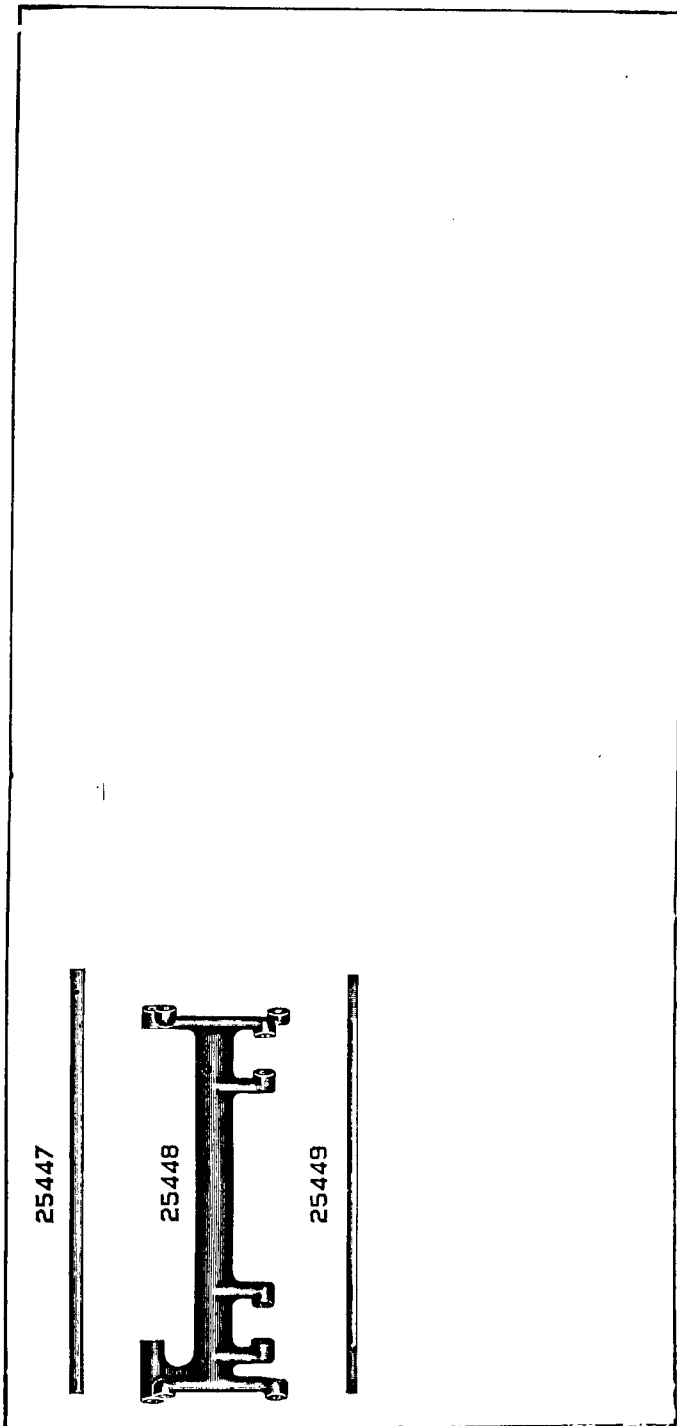


PLATE 3825—ONE-NINTH SIZE

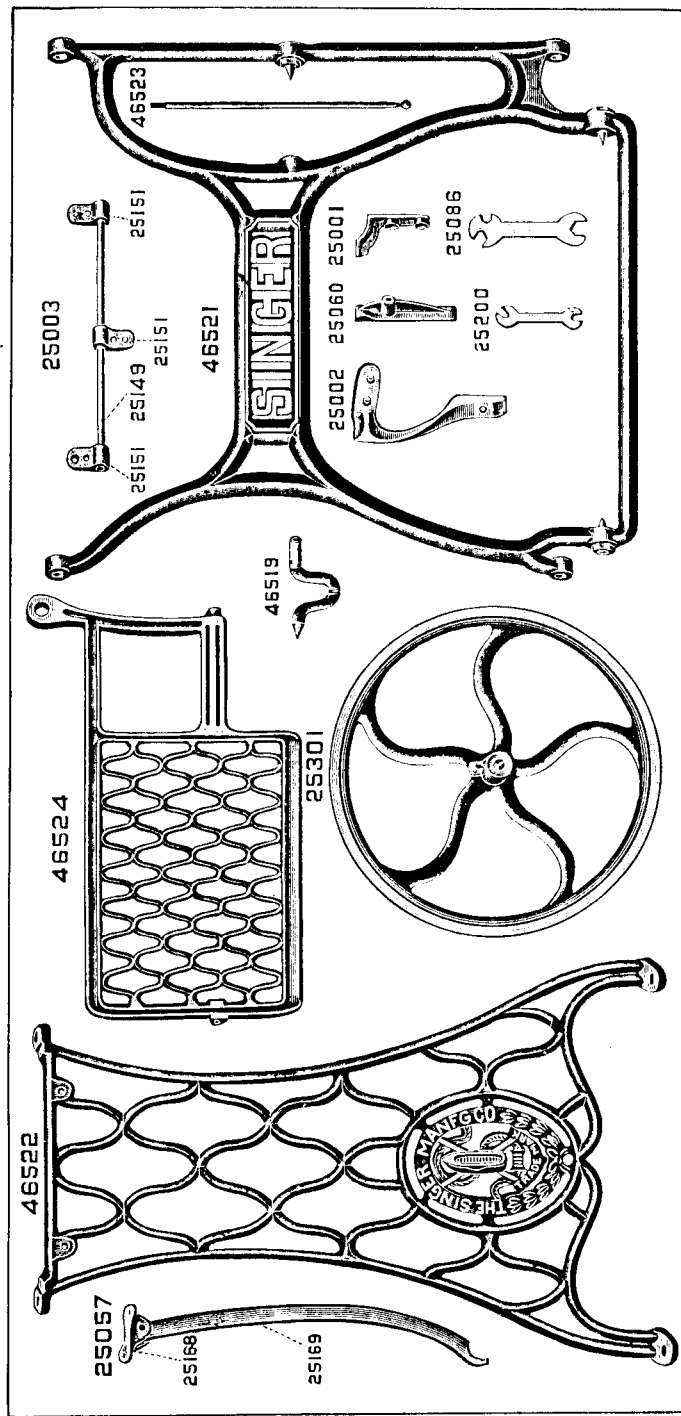


PLATE 3826—FULL SIZE

