

SINGER
99W65,W66

INDEX

	Page
Accessories.....	33
Counter Shaft Driving Pulleys.....	41
Driving Equipment.....	34
Machine No.99w65.....	5
" " 99w66.....	31
Numerical List of Parts.....	51
Obsolete Parts.....	42
Shaft Pulleys.....	40
Thread Unwinder.....	34

**Copyright, U. S. A., 1919, 1921, 1923, 1925, 1932 and 1937,
by The Singer Manufacturing Co.
All Rights Reserved for all Countries**

INSTRUCTIONS FOR ORDERING

5

In ordering from this list, use **ONLY** the **PART** number in the **FIRST** column.

The number stamped on a Sewing Machine Part is the number of the Single Part only, except when the part includes Set Screws, Clamping Screws, Studs and Rollers Spun on, Small Wires riveted, or Parts soldered together, etc., which it is necessary to furnish in combination.

Every combination of parts sent out has its specific number which, although not stamped on Parts (except in above case), must be used when ordering the combination.

Each number always indicates the **SAME PART** in whatever list it appears, or for whatever Machine.

The letters after some of the numbers indicate the style of finish only, as follows:

- A. Hardened, Polished and Plated.
- B. Polished and Plated.
- C. Hardened only.
- D. Polished only.
- E. Soft, not polished.
- F. Hardened and Polished.
- H. Blued.
- J. Nickel Plated only.
- R. Merlized.
- Y. Black Nickel Plated only.

These letters **MUST BE USED** when they appear in the list and **AFTER** the number, as in the list.

In this series

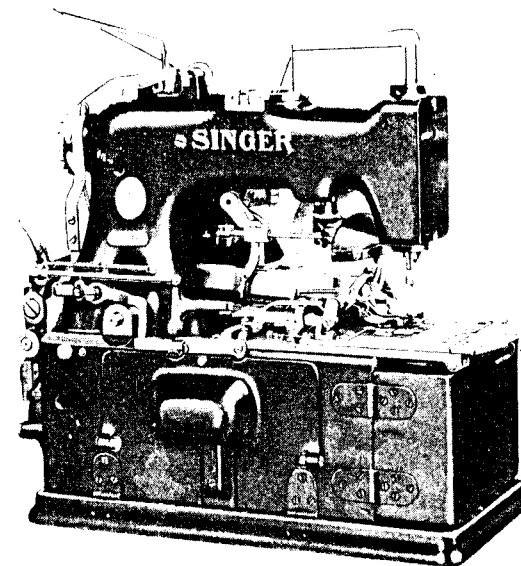
200001 to 201500 and 350001 to 351500 are Screw Numbers.
201501 to 201800 and 351501 to 351800 are Nut Numbers.
201801 to 202000 and 351801 to 352000 are Roller Numbers.
202001 to 350000 are Numbers of Machine Parts.

The figures in the second column refer only to the plate in which the illustration of the part is shown and are **NOT TO BE USED** in ordering.

Two or more numbers over a cut indicate that the difference between such parts is not visible in an illustration.

Parts marked with an asterisk (*) are furnished only when repairs are made at the factory.

LIST OF PARTS COMPLETE FOR



MACHINE No. 99w65

FOR MAKING SMALL EYELETS

No.	Plate	Name
*232487	-----	Arm
204235	13701	" Position Pin (2)
200020E	13701	" Screw (4)
232488	13792	" Shaft
232489	13701	" " Bevel Gear (Order Position Screw or Set Screw as required)
232244	13701	Arm Shaft Bevel Gear Position Pin
350223E	15414	" " " " " Screw
453E	13800	" " " " Set Screw
232002	13702	" " Bushing (back) with 202260

No.	Plate	Name
202260	-----	Arm Shaft Bushing (back) Oil Packing (wick)
200100E	13701	Arm Shaft Bushing (back) Screw (2)
232490	13702	" " " (front) with 202260
202260	-----	" " " " Oil Packing (wick)
200100E	13701	" " " " Screw (2)
232003	13702	" " Hand Wheel with two 200341C
200341C	13701	" " " " Set Screw
150D	13701	" " Screw
250801	13792	" Side Cover
193D	13701	" " " Screw (back)
205D	13789	" " " " (front)
*232492	-----	Bed with 255509 to 255512 and eight 50168E
232930	13701	Bed Cushion (felt) (back)
232931	13701	" " " (front)
232982	-----	" " (leather)
232936	13701	" " (rawhide) (back)
232937	13701	" " " (front)
200567H	13701	" " " Screw
232493	-----	" End Cover
232025	13701	" " " Catch
232026	13701	" " " " Position Pin
232027	13701	" " " " Releaser
204264	13701	" " " " Stop Pin
200061D	13701	" " " " Screw
201531H	13701	" " " " Nut
232712	13701	" " " Hinge (2)
200579E	13701	" " " " Screw (14)
232028	13701	" " " Position Pin
232938	13703	" Hinge (2)
200579E	13701	" " Screw (10)
232494	13795	" Shaft
255521	15416	" " Bevel Gear with two 453C
232719	13703	" " " " Position Pin (2)
350223E	15414	" " " " Screw
453C	13800	" " " " Set Screw
232030	13702	" " Bushing (back) with 202260
202260	-----	" " " " Oil Packing (wick)
232821	13703	Bed Shaft Bushing (back) Oil Tube (brass)
230795	13703	Bed Shaft Bushing (back) Oil Tube Pin
200100E	13701	" " " " Screw (2)
232496	13702	" " " (front)
255527	15416	" " " " Oil Tube (brass)
250451	15414	Bed Shaft Bushing (front) Oil Tube Bracket

No.	Plate	Name
330D	15414	Bed Shaft Bushing (front) Oil Tube Bracket Screw
232244	13701	Bed Shaft Bushing (front) Position Pin
200100E	13701	" " " " Screw (2)
232498	13703	" " Collar with 448C
40025	13703	" " " Position Pin
448C	13800	" " " Set Screw
232499	13702	" " Looper Driving Gear with 457C
232244	13701	" " " " Position Pin
457C	13703	Bed Shaft Looper Driving Gear Set Screw
232500	13792	" Side Cover (left)
201360E	13703	" " " Hinge Screw Lug (2)
1650E	13703	Bed Side Cover (left) Hinge Screw Lug Nut (2)
200603E	13703	Bed Side Cover (left) Hinge Screw Stud (2)
200478B	13703	Bed Side Cover (left) Thumb Screw
232501	13792	" " " (right)
200110D	13703	" " " " Screw (2)
232725	13702	Belt Guard
9D	13703	" " " Screw
232954	-----	Drip Pan with 232930, 232931, 232936, 232937, two 232982 and four 200567H
203184	13923	Drip Pan Clamp
200262H	13923	" " " Hinge Screw
200728B	13923	" " " Thumb Screw
350150E	13923	" " " " " Socket
201506B	13923	" " " " " Lock Nut
203185	13923	Drip Pan Clamp Thumb Screw Washer
232472	13712	Driving Wheel (loose)
232110	15445	" " with 200383C and two 232113
232112	13710	" " Friction Gib
232113	13710	" " " " Position Pin
8873	15414	" " Position Pin
200383C	13871	" " Set Screw
255507	15416	" " Stop Cam
251025	15416	" " " " Position Collar with 1036C
1036C	15414	Driving Wheel Stop Cam Position Collar Set Screw
232115	13710	Driving Wheel Stop Cam Spring
200096D	13731	" " " " " Position Screw
250858	13709	Eyelet Cutting Block (steel)
232503	13792	" " Carrier Cam with 200364C
40025	13703	" " " " Position Pin
200364C	13703	" " " " Set Screw

No.	Plate	Name
232036	13791	Eyelet Cutting Carrier Lever with 990D, 201366C, 201524E and 201892
201118E	13703	Eyelet Cutting Carrier Lever Adjusting Screw Stud
201711C	15141	Eyelet Cutting Carrier Lever Adjusting Screw Stud Nut
232037	13703	Eyelet Cutting Carrier Lever Adjusting Screw Stud Sleeve
201892	13735	Eyelet Cutting Carrier Lever Roller
990D	13703	" " " " " Cap Screw
201366C	13703	Eyelet Cutting Carrier Lever Roller Screw Stud
201524E	13703	Eyelet Cutting Carrier Lever Roller Screw Stud Nut
232038	13703	Eyelet Cutting Carrier Lever Slide Block
232504	13791	" " Chip Spout
232505	13791	" " " " Cover
217D	13703	" " " " " Screw (2)
232830	13789	" " " " Extension (coil wire)
217D	13703	Eyelet Cutting Chip Spout Screw (2)
250857	13789	" " " " Spring Cover
350056E	13796	" " " " " " Screw
232860	13789	Eyelet Cutting Chip Spout Spring Cover Screw Washer
232042	13791	Eyelet Cutting Driving Wheel with 50084E
255544	13789	" " " " Lock
232044	13789	" " " " Spring
200051E	13731	" " " " " " Screw
228026	13789	Eyelet Cutting Driving Wheel Lock Spring Screw Washer
232724	13789	Eyelet Cutting Driving Wheel Lock Stop Plate
1094E	13789	Eyelet Cutting Driving Wheel Lock Stop Plate Screw
232150	13789	Eyelet Cutting Driving Wheel Position Pin
50084E	13789	Eyelet Cutting Driving Wheel Set Screw
250883	13792	" " Lever (lower)
250884	15444	" " " " Block with 224373
224373	15444	Eyelet Cutting Lever (lower) Block Pin
966E	15444	" " " " " Screw
250804	13794	" " " " Cam with 448C
40025	13703	" " " " " Position Pin

No.	Plate	Name
448C	13800	Eyelet Cutting Lever (lower) Cam Set Screw
250838	13792	Eyelet Cutting Lever (upper) with 232482 and two 232483
232511	13708	Eyelet Cutting Lever (upper) Cam with 448C
40025	13703	Eyelet Cutting Lever (upper) Cam Position Pin
448C	13800	Eyelet Cutting Lever (upper) Cam Set Screw
232508	13708	Eyelet Cutting Lever Bracket with 201211E
255534	15445	Eyelet Cutting Lever Bracket Gib (left)
350304E	15444	" " " " " " Screw (3)
232050	13789	Eyelet Cutting Lever Bracket Gib (right)
232380	13789	" " " " " Adjusting Plate (2)
219E	13790	Eyelet Cutting Lever Bracket Gib Adjusting Plate Screw (4)
206482	13790	Eyelet Cutting Lever Bracket Gib Adjusting Plate Screw Washer (4)
201176E	13790	Eyelet Cutting Lever Bracket Gib (right) Screw (3)
232051	13790	Eyelet Cutting Lever Hinge Stud
201211E	13790	" " " " " Set Screw
232052	13707	" " " Spring
232482	13707	" " " " Bracket
232483	13707	" " " " " Pin
250805	13790	" " Pressure Wedge with 232056
*201155D	13707	Eyelet Cutting Pressure Wedge Adjusting Screw
250538	-----	Eyelet Cutting Pressure Wedge Adjusting Screw 201155D with 2273, 201672E, 232054 and 232055
232054	13707	Eyelet Cutting Pressure Wedge Adjusting Screw Collar
232055	13707	Eyelet Cutting Pressure Wedge Adjusting Screw Collar Position Pin
232466	13707	Eyelet Cutting Pressure Wedge Adjusting Screw Lock Spring
662D	13707	Eyelet Cutting Pressure Wedge Adjusting Screw Lock Spring Screw
201672E	13707	Eyelet Cutting Pressure Wedge Adjusting Screw Nut
2273	13707	Eyelet Cutting Pressure Wedge Adjusting Screw Nut Pin
232056	13707	Eyelet Cutting Pressure Wedge Boss

No.	Plate	Name
250882	-----	Feed Wheel complete, Nos. 59D, 201362C, 232130, 232269, 232475, 232426, 250881, 250981 to 250985, 350323C, two each 164D, 200055D, 201207D, 250980, three each 201385C, 232530 and 255537
232832	13715	Finger Starting Bell Crank
	35D 13714	" " " " Hinge Screw
232833	13715	" " Connection
	183D 13714	" " " " Screw (2)
232834	13715	" " Lever
232835	13714	" " Carrier
	990D 13703	" " " " Screw
232836	13714	" " " " Spring
232837	13714	" " " " Washer
	217D 13703	" " " " Screw
232838	13714	" " Rod
232839	13714	" " Collar (back) with 237F
	237F 13790	Finger Starting Rod Collar (back) Screw
232840	13714	" " " " (front) with 201288D
201288D	13714	Finger Starting Rod Collar (front) Screw
	2273 13707	" " " " Pin
232841	13714	" " " " Spring
201160E	13714	" " " " Screw Eye
250811	13794	Intermittent Feed Driving Wheel with two 465C
*232540	13792	Intermittent Feed Driving Wheel Bracket
232244	13701	" " " " " " " "
	129E 13710	Position Pin (2)
	129E 13710	Intermittent Feed Driving Wheel Bracket Screw (4)
250589	13923	Intermittent Feed Driving Wheel Driving Stud
204648	13714	Intermittent Feed Driving Wheel Driving Stud Position Pin
232541	13714	Intermittent Feed Driving Wheel Position Pin
	465C 13714	Intermittent Feed Driving Wheel Set Screw
232542	13715	Intermittent Feed Driving Wheel Shaft
232452	13715	" " " " " " " "
	12509 13923	Gear with two 465C
	12509 13923	Intermittent Feed Driving Wheel Shaft Gear Position Pin
	465C 13714	Intermittent Feed Driving Wheel Shaft Gear Set Screw
255528	15444	Looper
255529	15444	" Adjusting Gib
232546	13714	" Carrier

No.	Plate	Name
232547	13716	Looper Carrier Crank (driven)
200543H	13716	" " " " Cap Screw
232550	13716	" " " " (driving)
*232548	13716	" " " " Driving Connection
255505	-----	" " " " " "
		232548 with 232549
232310	13714	Looper Carrier Crank Driving Connection Position Pin (2)
	208D 13716	Looper Carrier Crank Driving Connection Screw (2)
*232549	13716	Looper Carrier Crank Driving Spiral with 906E
232055	13707	Looper Carrier Crank Driving Spiral Position Pin
	906E 13716	Looper Carrier Crank Driving Spiral Set Screw
232551	13716	Looper Carrier Crank Bracket
	193D 13701	" " " " Screw (2)
350064C	13790	" " Hinge Screw (2)
232552	13716	" " " " Bushing (2)
201488F	13716	" Screw
232553	13715	" and Under Needle Carrier with 232634
201722C	13716	Looper and Under Needle Carrier Adjusting Nut
201722C	13716	Looper and Under Needle Carrier Adjusting Nut Locking Nut
*232554	13740	Looper and Under Needle Carrier Frame with 232558 and three 896E
232866	13923	Looper and Under Needle Carrier Frame Position Pin (2)
201082E	13716	Looper and Under Needle Carrier Frame Screw (3)
232555	13716	Looper and Under Needle Carrier Rotating Gear with 906E
232556	13716	Looper and Under Needle Carrier Rotating Gear Position Stud
	906E 13716	Looper and Under Needle Carrier Rotating Gear Set Screw
232557	13716	Looper and Under Needle Driving Bar
*232558	13716	" " " " " " Bearing
	896E 13716	Looper and Under Needle Driving Bar Bearing Screw
232559	13716	Looper and Under Needle Driving Connection with 232711
255514	15414	Looper and Under Needle Driving Crank
	1239D 15414	" " " " " "
		Cap Screw

No.	Plate	Name
255524	15414	Looper and Under Needle Driving Crank Locking Stud
255516	15414	Looper and Under Needle Driving Crank Locking Stud Spring
201144E	13732	Looper and Under Needle Driving Crank Locking Stud Spring Screw
255535	-----	Looper and Under Needle Driving Fork with 200E, 255536 and two 233D
255536	15444	Looper and Under Needle Driving Fork Plate
233D	13728	Looper and Under Needle Driving Fork Plate Screw
232343	13717	Looper and Under Needle Driving Fork Position Pin
200E	13923	Looper and Under Needle Driving Fork Set Screw
232563	13717	Looper and Under Needle Driving Gear with 465E
232340	13717	Looper and Under Needle Driving Gear Position Pin
465E	13714	Looper and Under Needle Driving Gear Set Screw
255517	15414	Looper and Under Needle Driving Lever with 175D
1301C	13717	Looper and Under Needle Driving Lever Hinge Screw
175D	13717	Looper and Under Needle Driving Lever Pinch Screw
232565	13717	Looper and Under Needle Driving Lever Link with two 208E
201367F	13717	Looper and Under Needle Driving Lever Link Hinge Screw (2)
208E	13716	Looper and Under Needle Driving Lever Link Pinch Screw
232566	13717	Looper and Under Needle Driving Link with 185H and two 208D
199D	13717	Looper and Under Needle Driving Link Cap Screw
185H	13717	Looper and Under Needle Driving Link Pinch Screw
208D	13716	Looper and Under Needle Driving Link Screw
255525	15414	Looper and Under Needle Driving Shaft
255526	-----	" " " " " "
		255525 with 1239D, 201144E, 255514, 255516 and 255524
232561	13717	Looper and Under Needle Driving Shaft Bushing
208D	13716	Looper and Under Needle Driving Shaft Bushing Screw (2)

No.	Plate	Name
250835	13791	Needle Bar
232177	13717	" " Bushing
232178	13717	" " Connecting Link
232709	13717	" " " " Stud with 222598
222598	-----	Needle Bar Connecting Link Stud Oil Packing (wick)
200382C	13717	Needle Bar Connecting Link Stud Set Screw
232176	13717	Needle Bar Driving Collar with 200083E
200083E	13717	" " " " Pinch Screw
232568	13715	" " " Crank with 200394C and two 200382C
40025	13703	Needle Bar Driving Crank Position Pin
200394C	13717	" " " " Set Screw
232569	13717	" " " Swivel with 222598
222598	-----	" " " " Oil Packing (wick)
232813	13717	Needle Bar Guide
203D	13717	" " " Screw
232814	13717	" " " Washer
232571	13718	" " Rotating Gear
201661C	13718	" " " " Adjusting Nut with 171D
171D	13718	Needle Bar Rotating Gear Adjusting Nut Pinch Screw
232572	13718	Needle Guard with 232573
232573	13718	" " Position Pin
201381D	13718	" " Screw
232574	13790	" Holder (adjustable) with 735C
203D	13717	" " Screw
735C	13735	" Set Screw
232734	13715	Return Feed Arm
201475E	13718	" " " Hinge Screw
232735	13718	" " " Swivel
232736	13718	" " " " Collar with 200119F
200119F	13718	Return Feed Arm Swivel Collar Set Screw
201473C	13718	" " " " Screw
1518E	13718	" " " " Nut
232737	13740	" " Connection with two 171E.
171E	13718	" " " Screw
232738	13740	" " Crank Shaft with 399D, 402D and 255501
232739	13718	Return Feed Crank Shaft Bushing
200100E	13701	" " " " " Screw (2)
255501	13923	" " " " " Cam Plate
399D	13923	" " " " " " Screw
402D	13727	" " " " " " " "

No.	Plate	Name
232740	13718	Return Feed Crank Shaft Clutch Lock
232741	13718	" " " " " " Plate
202E	13718	" " " " " " "
		Screw (2)
232742	13718	Return Feed Crank Shaft Clutch Lock Spring
203E	13717	Return Feed Crank Shaft Clutch Lock Spring Screw
7071	13718	Return Feed Crank Shaft Clutch Lock Spring Screw Washer
232743	13718	Return Feed Crank Shaft Clutch Plate
207E	13718	" " " " " " Screw
232744	13715	" " " " Driver with 452C
2117	13871	" " " " Pin
452C	13718	" " " " Set Screw
232745	13740	" " " " Gear with six each 207E and 232743
201468H	13707	Return Feed Crank Shaft Screw
232746	13715	" " Driving Gear
145E	13718	" " " " Screw (2)
232747	13740	" " Gear Guard
1178D	13718	" " " " Screw (2)
232748	13718	" " Pawl
74D	13718	" " Hinge Screw
232749	13718	" " Spring
190D	13718	" " " " Screw
7071	13718	" " " " Washer
232750	13715	" " Starting Lever
232751	13720	" " " " Adjusting Arm
1255D	13720	" " " " " " Screw
226163	13720	Return Feed Starting Lever Adjusting Arm Screw Washer
232842	13720	Return Feed Starting Lever Adjusting Arm Spring
201160E	13714	Return Feed Starting Lever Adjusting Arm Spring Screw Eye
232752	13720	Return Feed Starting Lever Clutch Plate
232344	13726	" " " " " " Position Pin
178D	13735	Return Feed Starting Lever Clutch Plate Screw
232753	13720	Return Feed Starting Lever Guide Plate
203D	13717	" " " " " " Screw
206482	13790	Return Feed Starting Lever Guide Plate Screw Washer
9D	13703	Return Feed Starting Lever Hinge Screw
232754	13720	" " " " Latch with 232755

No.	Plate	Name
90D	13720	Return Feed Starting Lever Latch Hinge Screw
232755	13720	Return Feed Starting Lever Latch Pin
232756	13720	" " " " " Spring
203D	13717	" " " " " " Screw
206482	13790	Return Feed Starting Lever Latch Spring Screw Washer
232757	13720	Return Feed Starting Lever Releasing Lever
232758	13720	Return Feed Starting Lever Releasing Lever Safety Arm
898D	13720	Return Feed Starting Lever Releasing Lever Safety Arm Screw
39541	13720	Return Feed Starting Lever Releasing Lever Safety Arm Screw Washer
27E	13720	Return Feed Starting Lever Releasing Lever Hinge Screw
196F	13720	Return Feed Starting Lever Releasing Lever Stop Screw
232759	13720	Return Feed Starting Lever Trip with 232763
68D	13720	Return Feed Starting Lever Trip Hinge Screw
232760	13720	Return Feed Starting Lever Trip Lever
255502	13923	" " " " " " Hinge Stud
357C	13923	Return Feed Starting Lever Trip Lever Hinge Stud Set Screw
232761	13720	Return Feed Starting Lever Trip Lever Link
200161D	13720	Return Feed Starting Lever Trip Lever Link Cap Screw
90D	13720	Return Feed Starting Lever Trip Lever Link Hinge Screw
232762	13720	Return Feed Starting Lever Trip Spring
217D	13703	" " " " " " Screw
7071	13718	Return Feed Starting Lever Trip Spring Screw Washer
232763	13721	Return Feed Starting Lever Trip Stop Pin
232425	13721	Safety Cam
232426	13721	" " Position Pin
200055D	13721	" " Screw (2)
232578	13722	" Lever
54C	13721	" " Hinge Screw
232428	13721	" " Spring
200310E	13721	" " " " Screw
201356E	13721	" " " " Stud (for Bed)

No.	Plate	Name
232361	13721	Safety Plate
200577H	13710	" " Screw (2)
232579	13722	Starting Lever with 200363C
232580	13722	" " Cam Plate
200574E	13721	" " " " Screw (2)
232235	13722	" " Lock with 201356E
201113C	13721	" " " " Hinge Screw
232236	13721	" " " " Spring
201356E	13721	" " " " " " Screw Stud
201358E	13721	" " " " " " " " "
		(for Bed)
232581	13721	Starting Lever Locking Plate
200542C	13721	" " " " " " Screw
228026	13789	" " " " " " Washer
201442C	15444	" " " " " " Position Screw
232238	13721	" " " " " " Roller
201083C	13721	" " " " " " Screw
200363C	13871	" " " " " " Set Screw
232582	13722	" " " " " " Unlocking Lever
42F	13721	" " " " " " Hinge Screw
201485C	13721	" " " " " " Stop Screw
201531H	13701	" " " " " " " " "
		Nut
232583	13722	Starting Lever Unlocking Lever Tripping Point
1209C	13721	Starting Lever Unlocking Lever Tripping Point Screw
39541	13720	Starting Lever Unlocking Lever Tripping Point Screw Washer
232269	13721	Starting Lever Unlocking Lever Tripping Stud (for feed wheel)
232584	-----	Stitch Regulating Gear, for 24 stitches Note.No.232584 is furnished with this Machine unless another Stitch Regulating Gear is specified on order.
232585	-----	Stitch Regulating Gear, for 27 stitches
232586	-----	" " " " " " 29 stitches
232587	13721	" " " " " " 33 stitches
232588	-----	" " " " " " 36 stitches
232589	-----	" " " " " " 41 stitches
201660C	13721	" " " " " " Lock Nut
232590	13722	" " " " " " Rotating Lever (lower) with 456C
232719	13703	" " " " " " " " " " Position
		Pin
201871	13721	Stitch Rotating Lever (lower) Roller
201115C	13723	" " " " " " " " "
		Screw Stud
201666E	13723	Stitch Rotating Lever (lower) Roller Screw Stud Nut

No.	Plate	Name
456C	13923	Stitch Rotating Lever (lower) Roller Screw
232591	13722	Stitch Rotating Lever (upper) with 448C
40025	13703	" " " " " " Position Pin
448C	13800	" " " " " " Set Screw
232807	13723	" " " " " " Connection (front section) (lower)
232593	13723	Stitch Rotating Lever Connection (front section) (upper)
232808	13723	Stitch Rotating Lever Connection (rear section) (lower)
232592	13723	Stitch Rotating Lever Connection (rear section) (upper)
58F	13681	Stitch Rotating Lever Connection Hinge Screw (4)
172D	13723	Stitch Rotating Lever Connection Screw (lower)
190D	13718	Stitch Rotating Lever Connection Screw (upper)
39504	13723	Stitch Rotating Lever Connection Screw Washer (lower)
250540	15414	Stitch Rotating Lever Connection Screw Washer (upper)
232786	13726	Stitch Rotating Lever Connection Sleeve
232764	-----	Stitch Rotating Lever Connection (lower) complete, Nos. 232807, 232808, two each 172D and 39504
232594	-----	Stitch Rotating Lever Connection (upper) complete, Nos. 232592, 232593, 232786, two each 190D and 250540
232595	13722	Stitch Rotating Lever Rock Shaft
232596	13722	" " " " " " Sector (lower)
232597	13722	" " " " " " Bracket
690D	13723	" " " " " " " " Screw
226163	13720	" " " " " " " " " " Washer
232861	13794	Stitch Rotating Sector (lower) Guard
934D	13790	" " " " " " " " " " Screw (2)
201363C	13723	Stitch Rotating Sector (lower) Hinge Screw
232598	13722	Stitch Rotating Sector (upper)
232599	13724	" " " " " " " " Bracket
201395D	13723	" " " " " " " " " " Screw (2)
232849	13795	Stitch Rotating Sector (upper) and Gear Guard with two 448C
232862	13794	Stitch Rotating Sector (upper) and Gear Guard Cover

No.	Plate	Name
1443D	13790	Stitch Rotating Sector (upper) and Gear Guard Cover Screw (2)
448C	13800	Stitch Rotating Sector (upper) and Gear Guard Set Screw
232258	13723	Stop Button
232259	13723	" " Pin
251026	13724	" Lever with 200352C
255503	15447	" " Bracket with 357C
350263E	15414	" " " Screw
232765	13724	" " Extension Lever
52C	13723	" " " " Hinge Screw
232766	13723	" " " " Spring
201467C	13725	" " " " Stop Screw
1517E	13725	" " " " Stop Screw Nut
232263	13725	" " Friction Pad (rawhide)
200110D	13703	" " " " Screw (2)
255169	13725	" " Interlocking Slide
201084C	13725	" " " " Adjusting Screw
201628E	13725	Stop Lever Interlocking Slide Adjusting Screw Nut
1178D	13718	Stop Lever Interlocking Slide Screw
232265	13725	" " " " " Washer
250416	13923	" " " " Spring
232261	13734	" " Lock
200061D	13701	" " " Screw (2)
201442C	15444	" " Position Screw
200352C	13871	" " Set Screw
232267	13725	" " Shaft
232268	13725	" " Spring
201110D	13725	" " " Screw
251006	13796	Thread Clamping Blade
232602	13725	" Cutting Blade
251007	13796	" " " Connecting Rod
201476C	13725	" " " " " Ball Screw
232768	13725	Thread Cutting Blade Connecting Rod Collar (back) with 237F
2273	13707	Thread Cutting Blade Connecting Rod Collar (back) Pin
237F	13790	Thread Cutting Blade Connecting Rod Collar (back) Set Screw
232769	13725	Thread Cutting Blade Connecting Rod Collar (front) with 201288D
201288D	13714	Thread Cutting Blade Connecting Rod Collar (front) Set Screw
232770	13726	Thread Cutting Blade Connecting Rod Guide
232606	13725	Thread Cutting Blade Connecting Rod Guide Bracket with 237F

No.	Plate	Name
232343	13717	Thread Cutting Blade Connecting Rod Guide Bracket Pin
237F	13790	Thread Cutting Blade Connecting Rod Guide Bracket Set Screw
250813	13790	Thread Cutting Blade Connecting Rod Guide Extension
120E	13790	Thread Cutting Blade Connecting Rod Guide Screw
23606	13726	Thread Cutting Blade Connecting Rod Spring
232810	13726	Thread Cutting Blade Connecting Rod Washer (rawhide)
232773	13734	Thread Cutting Blade Operating Arm (adjustable)
172D	13723	Thread Cutting Blade Operating Arm Adjusting Screw
228026	13789	Thread Cutting Blade Operating Arm Adjusting Screw Washer
250814	13790	Thread Cutting Blade Operating Cam with 462C
232721	13710	Thread Cutting Blade Operating Cam Position Pin
462C	13790	Thread Cutting Blade Operating Cam Set Screw
250815	13795	Thread Cutting Blade Operating Connection
23414	13723	Thread Cutting Blade Operating Connection Collar with two 453C
453C	13800	Thread Cutting Blade Operating Connection Collar Set Screw
741C	13790	Thread Cutting Blade Operating Connection Screw
1521E	13790	Thread Cutting Blade Operating Connection Screw Nut
250816	13794	Thread Cutting Blade Operating Fork with 200019E
200019E	13871	Thread Cutting Blade Operating Fork Clamping Screw
232780	13726	Thread Cutting Blade Operating Fork Shaft
232779	13726	Thread Cutting Blade Operating Fork Spring
250817	13794	Thread Cutting Blade Operating Lever
56F	13790	" " " " " " Hinge Screw
219F	13790	Thread Cutting Blade Screw
232614	13726	" " " Shaft
250818	13790	" " " " Crank with 906E
232344	13726	" " " " " Position Pin

No.	Plate	Name
906E	13716	Thread Cutting Blade Shaft Crank Set Screw
250820	13793	Throat Plate
232632	13726	" " Holder with 201365C and 201368E
201365C	13726	Throat Plate Holder Adjusting Screw
201368E	13726	" " " " " Clamp Screw
201386C	13726	Throat Plate Holder Hinge Screw
191D	13726	" " " Lock Adjusting Screw
232811	13726	" " " " Section (front)
232812	13726	" " " " " (rear)
232633	-----	Throat Plate Holder Lock complete, Nos. 191D, 232811 and 232812
200097C	13726	Throat Plate Holder Lock Screw
201486C	13726	" " " Position Screw
201674H	13726	" " " " " Nut
10107	13793	" " " " " Spring
232634	13726	" " " Stop Stud
232635	13724	" " Locking Ring
200574E	13721	" " " " Screw (3)
50168E	13727	" " Screw
226163	13720	" " Washer
226D	13710	" " Stop Screw
232636	13727	" " Tipping Point
190D	13718	" " " " Screw
7071	13718	" " " " Washer
250821	13793	Under Needle Carrier
232638	13727	" " " Bracket
193D	13701	" " " " Screw (2)
350067E	13793	" " Cap Screw
232850	13923	" " " " Washer
*232639	13727	" " " Connecting Link with four 220D
255506	-----	Under Needle Carrier Connecting Link 232639 with two 201379C
201379C	13727	Under Needle Carrier Connecting Link Ball Screw (2)
220D	13727	Under Needle Carrier Connecting Link Screw
232640	13727	Under Needle Clamping Plate with 232310
232310	13714	" " " " Position Pin
350248H	15414	" " " " Screw
232829	13727	" " Stop Plate
232711	13727	" " Thread Bushing
232646	13727	" " Controller Plate
232648	13727	" " Guide
228F	13727	" " " " Screw (2)
232863	13793	" " " " Wire
229D	13793	" " " " Screw

No.	Plate	Name
232516	13740	Under Needle Thread Leader (brass)
232517	13727	" " " " Bracket (2)
190D	13718	" " " " " Screw (4)
991C	13727	" " " " Nipper Adjusting Screw
1550J	13727	Under Needle Thread Nipper Adjusting Screw Nut
232649	13727	Under Needle Thread Nipper Block
402D	13727	" " " " " Screw (2)
232650	13727	" " " " " Lever
35C	13714	" " " " " Hinge Screw
201354E	13727	Under Needle Thread Nipper Screw Stud
194C	13727	" " " " " " "
		Guide Screw
201657C	13727	Under Needle Thread Nipper Screw Stud Nut (thread nipping)
232651	13727	Under Needle Thread Nipper Screw Stud Spring
232652	13727	Under Needle Thread Pull-off
217E	13703	" " " " " Screw
232653	13724	" " " " Tension Bracket
691F	13735	" " " " " Screw (2)
2102	13727	Under Needle Thread Tension Disc (2)
1560C	13727	" " " " " Regulating Thumb Nut
201361C	13727	Under Needle Thread Tension Screw Stud
232515	13727	" " " " " Spring
250875	15444	" Thread Clamping Spring and Cutter
200186B	13728	" " " " " " "
		Screw
232654	13728	Upper Needle Thread Guide
1159F	13728	" " " " " Set Screw
232792	13724	" " " " Leader
1664E	13728	" " " " " Nut
232655	13728	" " " " Pull-off
232656	13728	" " " " " Guide Bracket with 196F
40045	13728	Upper Needle Thread Pull-off Guide Bracket Washer (rawhide)
232657	13733	Upper Needle Thread Pull-off Lever (front section)
232658	13733	Upper Needle Thread Pull-off Lever (rear section)
190D	13718	Upper Needle Thread Pull-off Lever Adjusting Screw
7071	13718	Upper Needle Thread Pull-off Lever Adjusting Screw Washer

No.	Plate	Name
201364C	13728	Upper Needle Thread Pull-off Lever Driving Screw Stud
201466E	13728	Upper Needle Thread Pull-off Lever Hinge Screw
232659	13728	Upper Needle Thread Pull-off Lever Spring
200294H	13728	Upper Needle Thread Pull-off Lever Spring Stop Screw
201372C	13728	Upper Needle Thread Pull-off Screw Bushing
196F	13720	Upper Needle Thread Pull-off Set Screw
232660	13728	" " " Take-up with two 457C
232244	13701	" " " " Position Pin
457C	13703	" " " " Set Screw
232661	13728	" " " " Thread Guide
232662	13733	" " " " " "
		Bracket with 735C and 1159F
232794	13729	Upper Needle Thread Take-up Thread Guide Bracket Plate
233D	13728	Upper Needle Thread Take-up Thread Guide Bracket Plate Screw
160D	13728	Upper Needle Thread Take-up Thread Guide Bracket Screw (3)
232663	-----	Upper Needle Thread Take-up Thread Guide Bracket complete, Nos. 232654, 232661, 232662, 232664 to 232666, 232794 and six 233D
232664	13729	Upper Needle Thread Take-up Thread Guide Hinge Pin
735C	13735	Upper Needle Thread Take-up Thread Guide Hinge Pin Set Screw
232665	13729	Upper Needle Thread Take-up Thread Guide Spring Latch
233D	13728	Upper Needle Thread Take-up Thread Guide Spring Latch Screw
232666	13729	Upper Needle Thread Take-up Thread Stripper
233D	13728	Upper Needle Thread Take-up Thread Stripper Screw
232667	13733	Upper Needle Thread Tension Bracket
232343	13717	" " " " " Position Pin
160D	13728	Upper Needle Thread Tension Bracket Screw
32012	13729	Upper Needle Thread Tension Disc (2)
1560C	13727	" " " " " Regulating Thumb Nut
232668	13733	Upper Needle Thread Tension Releaser Arm
32D	13881	" " " " " Hinge Screw

No.	Plate	Name
1620E	13729	Upper Needle Thread Tension Releaser Arm Hinge Screw Nut
232795	13729	Upper Needle Thread Tension Releaser Cam with 209F
232721	13710	Upper Needle Thread Tension Releaser Cam Pin
209F	13726	Upper Needle Thread Tension Releaser Cam Set Screw
232796	13733	Upper Needle Thread Tension Releaser Connection (lower section)
232797	13733	Upper Needle Thread Tension Releaser Connection (upper section)
940F	13729	Upper Needle Thread Tension Releaser Connection Hinge Screw
203D	13717	Upper Needle Thread Tension Releaser Connection Screw (2)
7071	13718	Upper Needle Thread Tension Releaser Connection Screw Washer (2)
232A34	13729	Upper Needle Thread Tension Releaser Connection Spring
201160E	13714	Upper Needle Thread Tension Releaser Connection Spring Screw Eye (2)
32572	13729	Upper Needle Thread Tension Releasing Disc
39635	13729	Upper Needle Thread Tension Releasing Pin
1388C	13729	Upper Needle Thread Tension Screw Stud
13710	13729	" " " " Spring
232799	13729	" " " " Thread Guide
250866	13795	Vertical Shaft with two each 204648 and 250589
255522	15416	Vertical Shaft Bevel Gear (lower) with two 453E
232719	13703	Vertical Shaft Bevel Gear (lower) Position Pin
453E	13800	Vertical Shaft Bevel Gear (lower) Set Screw
232673	13733	Vertical Shaft Bevel Gear (upper) (Order Position Screw or Set Screw as required)
40025	13703	Vertical Shaft Bevel Gear (upper) Position Pin
350223E	15414	Vertical Shaft Bevel Gear (upper) Position Screw
448E	13800	Vertical Shaft Bevel Gear (upper) Set Screw
232713	13729	Vertical Shaft Bushing (lower)
1149C	13800	" " " " Set Screw
232710	13730	" " " " (upper)
575C	13730	" " " " Set Screw

No.	Plate	Name
250823	13794	Work Clamp Arm (left)
250824	13794	" " " (right)
232293	13730	" " " Adjusting Wedge
250861	15445	" " " Bracket (left)
250862	15445	" " " " (right)
200092D	13730	" " " " Screw
232334	13730	" " " Cam (right) with 735C
232343	13717	" " " " Position Pin
735C	13735	" " " " Set Screw
232674	13730	" " " " Shaft (left)
232317	13730	" " " " " (right)
232675	13731	" " " Hinge Block (left) with 200389E
232297	13731	Work Clamp Arm Hinge Block (right) with 200389E
232343	13717	Work Clamp Arm Hinge Block Position Pin
200389E	13717	" " " " " Set Screw
232676	13731	" " " " " Pin (left)
232677	13731	" " " " " (right)
200051F	13731	" " " " Screw
226163	13720	" " " " Washer
250863	13923	" " " " Spring
350075E	13923	" " " " Screw
250868	15447	" " " Base (left)
250876	-----	Work Clamp Base (left) 250868 with 106C, 120E,227D,402D,990D,991C,2273,23606, 200051F,200186B,200318H,201476C, 214523,225163,232293,232319,232344, 232348,232604,232606,232674 to 232676, 232680,232695 to 232699,232768 to 232770,232810,232834 to 232837,250813 250823,250827,250834,250856,250861, 250863,250865,250870,250872,250874, 250875,251007,350075E,two each 190D 207E,217D,1550J,200092D,three each 7071,232343 and five 1443F
250869	15447	Work Clamp Base (right)
250877	-----	" " " " 250869 with 217D, 1423F,7071,200051F,200110D,200318H, 203149,214523,225604,226163,232075, 232293,232297,232315,232317,232318, 232334,232677,232680,232726,250824, 250828,250830,250862,250863,250871, 250873,250874,350075E,two 200092D, four 232343 and five 1443F
232303	13731	Work Clamp Base Gib (2)
232348	13735	" " " " Position Pin (2)
200096D	13731	" " " " Screw (2)
232800	13731	" " " " Lock (left)
232802	13731	" " " " (right)

No.	Plate	Name
200319D	13731	Work Clamp Base Lock Hinge Screw (2)
232804	13731	" " " " " Plate
792D	13731	" " " " " Screw (3)
232801	13729	" " " " " Spring (2)
201160E	13714	" " " " " Screw Eye (2)
232680	13729	" " " " " Spring
232681	13729	" " " " " Catch (left)
232682	13729	" " " " " (right)
200082D	15415	" " " " " Screw (2)
217D	13703	" " " " " Screw
7071	13716	" " " " " Washer
232309	13729	" " " " " Stop Block (back) (2)
232310	13714	" " " " " " Position Pin (2)
201148H	13729	Work Clamp Base Stop Block (back) Screw (2)
232805	13732	Work Clamp Base Stop Block (front)
200137D	13732	" " " " " " Screw
250827	13793	" " " " " Work Guard (left)
250828	13793	" " " " " (right)
1443F	13790	" " " " " " Screw
250870	15444	" " " " " Support Plate (hinged) (left)
250872	15445	Work Clamp Base Work Support Plate Cover (left)
250873	15445	Work Clamp Base Work Support Plate Cover (right)
1443F	13790	Work Clamp Base Work Support Plate Cover Screw
200318A	15444	Work Clamp Base Work Support Plate Hinge Screw
250874	15444	Work Clamp Base Work Support Plate Spring
1443F	13790	Work Clamp Base Work Support Plate Spring Screw
250871	15444	Work Clamp Base Work Support Plate (hinged) (right)
250829	13795	Work Clamp Carrier Base Plate
232462	13733	" " " " " " Slide Rod
201643E	13732	" " " " " " " "
		Nut
2273	13707	Work Clamp Carrier Base Plate Slide Rod Position Pin
200119D	13716	Work Clamp Carrier Base Plate Slide Rod Set Screw
232263	13734	Work Clamp Carrier Regulator with 201102C and 201868
201124E	13732	Work Clamp Carrier Regulator Adjusting Screw Stud

No.	Plate	Name
201662C	13732	Work Clamp Carrier Regulator Adjusting Screw Stud Nut
201125C	13732	Work Clamp Carrier Regulator Hinge Screw
201868	13732	" " " " Roller
201102C	13732	" " " " " Screw Stud
232684	13732	Work Clamp Carrier Regulator Slide Block
232685	13734	" " " Side Throw Lever with 201097C, 201374E, 201530E and 201937
201371C	13732	Work Clamp Carrier Side Throw Lever Hinge Screw
201873	13732	Work Clamp Carrier Side Throw Lever Roller
201937	-----	Work Clamp Carrier Side Throw Lever Roller 201873 with 201144E and 232686
201144E	13732	Work Clamp Carrier Side Throw Lever Roller Cap Screw
232686	13732	Work Clamp Carrier Side Throw Lever Roller Stud
201374E	13732	Work Clamp Carrier Side Throw Lever Roller Stud Cap Screw
232321	13732	Work Clamp Carrier Side Throw Lever Slide Block
232322	13732	Work Clamp Carrier Side Throw Lever Slide Block Guide
201061H	13732	Work Clamp Carrier Side Throw Lever Slide Block Guide Screw (2)
201097C	13732	Work Clamp Carrier Side Throw Lever Slide Block Screw Stud
201530E	13732	Work Clamp Carrier Side Throw Lever Slide Block Screw Stud Nut
232284	13740	Work Clamp Carrier Slide (left) with 200119D
232285	13740	Work Clamp Carrier Slide (right) with 200119D
255509	15415	Work Clamp Carrier Slide Gib (left, back)
255510	15415	" " " " " (left, front)
255511	15415	" " " " " (right, back)
255512	15415	" " " " " (right, front)
50168E	13727	" " " " " Screw
232286	13740	" " " " " Stay Plate
250597	15415	" " " " " Position Pin (2)
201239E	13732	Work Clamp Carrier Slide Stay Plate Screw (3)
250865	13923	Work Clamp Check Reinforcing Spring
207E	13718	" " " " " Screw
250830	13793	" " " (right)
214523	13732	" " " " Hinge Pin

No.	Plate	Name
250831	13793	Work Clamp Check (thread cutting) with 232806
250856	-----	Work Clamp Check 250831 with 219F, 1348E, 1449H, 201406E, 201489D, 232344, 232602, 232614, 232690, 232691, 250818, 250855, 251006 and 251019
214523	13732	Work Clamp Check (thread cutting) Hinge Pin
1449H	13726	Work Clamp Check (thread cutting) Stop Screw
251019	13726	Work Clamp Check Thread Clamping Section
232806	13732	" " " " " " Position Pin
201489D	13732	Work Clamp Check Thread Clamping Section Screw
232690	13732	Work Clamp Check Thread Clamping Section Separator Washer
250855	13793	Work Clamp Check Thread Clamping Section Spring
1348E	13732	Work Clamp Check Thread Clamping Section Support Screw Stud
232691	13732	Work Clamp Check Thread Cutting Blade
201406E	13732	" " " " " " Screw
250880	15445	Work Clamp Closing Lever with 200E
232318	13732	" " " " " (hand) with 735E
232343	13717	" " " " " Position Pin
735E	13735	" " " " " Set Screw
232537	13923	" " " " " Hinge Stud
1976	13923	" " " " " Roller
211E	15446	" " " " " Cap Screw
7071	13718	" " " " " Washer
350055C	13925	Work Clamp Closing Lever Roller Screw Stud
201939	-----	Work Clamp Closing Lever Roller Screw Stud 350055C with 211E, 1520E, 1976 and 7071
1520E	13923	Work Clamp Closing Lever Roller Screw Stud Nut
200E	13923	Work Clamp Closing Lever Set Screw
232538	13923	" " " " " Spring
232319	13732	" " " Connection Lever (left) with 735E
232315	13735	Work Clamp Connection Lever (right) with 735E
232343	13717	Work Clamp Connection Lever Position Pin
735E	13735	" " " " " Set Screw
232695	13735	" " " Lock
991C	13727	" " " Adjusting Screw

No.	Plate	Name
1550J	13727	Work Clamp Lock Adjusting Screw Nut
250834	13793	" " " Extension
190D	13718	" " " " Screw
1550J	13727	" " " " " Nut
106C	13735	" " " Hinge Screw
232696	13735	" " " Spring
232604	13735	" " " " Bracket
232348	13735	" " " " " Position Pin
402D	13727	" " " " " Screw
227D	13735	" " " " " Screw
7071	13718	" " " " " Washer
232697	13735	" " " Locking Crank with 735C
232344	13726	" " " " " Position Pin
735C	13735	" " " " " Set Screw
232698	13735	" " " Opening Spring
232699	13735	" " " Stop (adjustable) (left)
232348	13735	Work Clamp Opening Stop (adjustable) (left) Position Pin
190D	13718	Work Clamp Opening Stop (adjustable) (left) Screw
7071	13718	Work Clamp Opening Stop (adjustable) (left) Screw Washer
232075	13735	Work Clamp Opening Stop (adjustable) (right)
200110D	13703	Work Clamp Opening Stop (adjustable) (right) Screw
225604	13735	Work Clamp Opening Stop (adjustable) (right) Screw Washer
232706	13735	Work Clamp Unlocking Lever
232790	13724	" " " " " Adjustable Connection
766D	13726	Work Clamp Unlocking Lever Adjustable Connection Hinge Screw
191C	13726	Work Clamp Unlocking Lever Adjustable Connection Screw
39504	13723	Work Clamp Unlocking Lever Adjustable Connection Screw Washer
41C	13735	Work Clamp Unlocking Lever Hinge Screw
232708	13735	" " " " " Spring
232099	13923	" " " " " Position Pin (for Bed)
217E	13703	Work Clamp Unlocking Lever Spring Screw
232616	13734	" " " " " Tripping Lever
232791	13724	" " " " " Adjust- able Section
172D	13723	Work Clamp Unlocking Tripping Lever Ad- justing Screw
39541	13720	Work Clamp Unlocking Tripping Lever Ad- justing Screw Washer
788D	13720	Work Clamp Unlocking Tripping Lever Hinge Screw

MACHINE No. 99w66

FOR MAKING LARGE EYELETS

Same as Machine No. 99w65 with the following exceptions:

No.	Plate	Name
251001	13796	Eyelet Cutting Chip Spout Spring Cover, in place of 250857
251002	13797	Eyelet Cutting Lever (lower), in place of 250883
251021	13792	Eyelet Cutting Lever (upper) with 232482 and two 232483, in place of 250838
251003	13796	Eyelet Cutting Punch Holder with 219F, in place of 250839
251032	13797	Feed Wheel, in place of 250881
251033	-----	Feed Wheel complete, Nos. 59D, 201362C, 232130, 232269, 232425, 232426, 250981 to 250985, 250132, 350323C, two each 164D, 200055D, 201207D, 250930, three each 201385C, 232530 and 255537 in place of 250882
251008	13796	Thread Cutting Blade Shaft, in place of 232614
251009	13796	Thread Cutting Blade Shaft Crank with 906E, in place of 250818
251010	13796	Throat Plate, in place of 250820
251011	13796	Upper Needle Thread Take-up with two 457C, in place of 232660
251022	15445	Work Clamp Arm Bracket (left), in place of 250861
251023	15445	Work Clamp Arm Bracket (right), in place of 250862
251027	15447	Work Clamp Base (left), in place of 250868
251030	-----	Work Clamp Base (left) 251027 with 106C, 120E, 227D, 402D, 990D, 991C, 2273, 23606, 200051F, 200186B, 200319H, 201476C, 214523, 226163, 232293, 232319, 232344, 232348, 232604, 232606, 232674 to 232676 232680, 232695 to 232699, 232768 to 232770, 232810, 232834 to 232837, 250813 250823, 250827, 250834, 250863, 250865, 250870, 250872, 250874, 250875, 251007, 251018, 251022, 350075E, two each 190D, 207E, 217D, 1550J, 200092D, three each 7071, 232343 and five 1443F, in place of 250876

No.	Plate	Name
251028	15447	Work Clamp Base (right), in place of 250869
251031	-----	Work Clamp Base (right) 251028 with 217D, 1423F, 7071, 200051F, 200110D, 200318H, 203149, 214523, 225604, 226163, 232075, 232293, 232297, 232315, 232317, 232318, 232334, 232677, 232680, 232726, 250824, 250828, 250863, 250873, 250874, 251016, 251023, 251029, 350075E, two 200092D, four 232343, and five 1443F in place of 250877
251029	15444	Work Clamp Base Work Support Plate (hinged) (right), in place of 250871
251016	13796	Work Clamp Check (right), in place of 250830
251017	13796	Work Clamp Check (thread cutting) with 232806, in place of 250831
251018	-----	Work Clamp Check 241017 with 219F, 1348E, 1449H, 201406E, 201489D, 232344, 232602, 232690, 232691, 250855, 251006, 251008, 251009 and 251019, in place of 250856

Genuine Singer Needles should be used in Singer Machines.
These Needles and their Containers are marked with the Company's Trade Mark "SIMANCO." 1

Needles in Containers marked "For Singer Machines" are not Singer made needles. 2

ACCESSORIES

FOR MACHINE No. 99w65

No.	Plate	Name
232869	13797	Chip Removing Wire
250858	13789	Eyelet Cutting Block (steel) (3)
250841	13790	" " Punch, 3/32 in. diameter
251006	13796	Thread Clamping Blade
232602	13725	" Cutting Blade
232486	13747	Threader Wire (large)
250412	13747	" " (small)
255513	13741	Tweezers
142 x 4	-----	Needles (curve under), six, size 17
142 x 1	-----	" (upper), six, size 15
232953	13747	Eyelet Cutting Chip Box with 232929, two each 200579E and wood screws 1-1/4 in., No. 10, R.H.B.
232929	13747	Eyelet Cutting Chip Box Bottom Plate
200579E	13701	" " " " " " Screw
232981	13746	Machine Rest with 232982 and two wood screws 1 in., No. 13
232982	-----	Machine Rest Cushion (leather)
120346	13747	Oiler (copper plated) with 120347
120347	13747	" Spout, 8-1/2 in. long
255542	15447	Screw Driver, 8 in. blade
11831	13741	" " 5 in. blade (machine large)
*250521	-----	" " Blade
*225483	-----	" " Handle
250522	13741	Screw Driver complete (for needle set screw), Nos. 225483 and 250521
232932	13741	Wrench, for 201660
232935	13741	" " 201658 and 201659 (2)
255541	15446	" " 201628
255540	15446	" " 1528, 201524 and 201643
23535	13741	" " 201662
42850	13741	" " 1550
232900	13741	" " 201362
232819	13741	" " Under Needle Clamping Plate
		Screw
232585	-----	Stitch Regulating Gear, for 27 stitches
		Three wood screws 1-3/4 in., No. 12

THREAD UNWINDER

No.	Plate	Name
232417	13746	Spool Pin
225375	15447	" " (wood)
232895	13746	" " Arm with 759F
232896	13746	" " " Bracket with two 448C
448C	13800	" " " Set Screw
448C	13800	" " " Set Screw
250424	15446	" " Cap
200159F	15415	" " " Screw
759F	13925	" " Thumb Set Screw
225259	15447	" Rest (for one spool) with 201018C
225257	15447	" " (for two spools) with 201018C
150203	-----	" " Cushion (felt)
250453	13867	" " Rod (lower)
225388	15447	" " " (upper)
250454	13746	" " " Coupling with two 456C
456C	13923	" " " Set Screw
200383C	13871	" " " Set Screw
201018C	15415	" " " Set Screw
202490	13867	" Stand with 200383C
225390	13925	Thread Cone Holder
250472	13867	" Cop Holder
225391	15447	" Guide
201696J	15415	" " Lock Nut
350192J	15415	" " Screw Stud
225393	15415	" " " Washer
200164B	15415	" " Stud Set Screw
225376	-----	Thread Unwinder complete Nos. 200164B, 201696J, 202490, 225257, 225259, 225388, 225393, 250453, 250454, 250472, 350192J, three each 150203, 200159F, 225375, 225390, 232417, 232895, 232896, 250424, four 225391 and three wood screws 7/8 in., No.12

DRIVING EQUIPMENT

228628	-----	Belt (gilt edge), size 5/16 in. diam., length 83 in., with two 25029
228629	-----	Belt (gilt edge), size 3/8 in. diam., length 57 in., with 25030
228630	-----	Belt (gilt edge), size 3/8 in. diam., length 120 in., with two 25030
228631	-----	Belt (gilt edge), size 3/8 in. diam., length 133 in., with two 25030
228608	-----	Belt Guard, for Bridgeport Old Style Power Table (trough), with two wood screws 3/4 in., No.10

No.	Plate	Name
228610	-----	Belt Guard, for E'port Old Style Power Table (trough), with two wood screws 3/4 in., No.10
25029	13800	Belt Hook
25030	-----	" "
228565	13870	" Shifter
228566	13870	" " Lever with 200526C
228567	13871	" " " Hinge Stud
200335C	13871	" " " " Set Screw
228632	15416	" " Locking Spring
200526C	13871	" " Set Screw
228593	13869	Counter Shaft (hollow) with 200370C and 228595
210833	13871	Counter Shaft Collar with two 200383C
200383C	13871	" " " Set Screw
228590	13870	" " Driving Pulley (loose), 5 in. diameter
228591	13870	Counter Shaft Driving Pulley (tight), 5 in. diam., with 200352C and 200363C
200352C	13871	Counter Shaft Driving Pulley Position Screw
200363C	13871	Counter Shaft Driving Pulley Set Screw
228601	13870	" " Hanger with 200335C and 202244
228588	13870	Counter Shaft Hanger Belt Guard (double)
228597	13870	" " " " " (single)
200002E	13871	" " " " " Screw
202244	-----	" " " Oil Packing (wick)
51080E	13871	" " " Screw
51046E	15415	" " " "
41125	13871	" " " " Washer
228602	13871	" " Oil Cup
228594	-----	" " " Packing Wick
228595	13869	" " " " " Wire with 228594
200370C	13871	Counter Shaft Oil Stop Screw
228592	13870	" " Pulley, 5-7/8 in. diam., with 200352C and 200363C
200352C	13871	Counter Shaft Pulley Position Screw
200363C	13871	" " " Set Screw
228596	-----	Counter Shaft Hanger complete, for Old Style Power Table, Nos. 51080E, 200002E, 210833, 228565 to 228567, 228588, 228590 to 228593, 228601, 228602, 228632, two 51046E and three 41125
228598	-----	Counter Shaft Hanger complete, for Singer Safety Power Table, Nos. 51080E, 200002E 210833, 228565 to 228567, 228590 to 228593, 228597, 228601, 228602, 228632, two 51046E and three 41125

No.	Plate	Name
228573	13870	Driving Attachment Belt Guard with 228607
228607	13926	Driving Attachment Belt Guard Drain Valve
50075J	13871	Driving Attachment Belt Guard Thumb Screw
228574	13870	Driving Attachment Bracket with 11119, 228575 and four 350028C
228575	13871	Driving Attachment Bracket Oil Cup
15783	-----	" " " " Tube
11119	13871	" " " " "
		15783 with 52045
52045	-----	Driving Attachment Bracket Oil Tube Packing (cotton)
51046E	15415	Driving Attachment Bracket Screw
41125	13871	" " " " Washer
228624	13926	" Pulley, 6 in. diam., with 200374C and 200396C
200396C	13925	Driving Pulley Position Screw
200374C	13707	" " Set Screw
228625	13926	" " Shaft
228571	13869	" " Bushing with 202260
202260	-----	" " " " Oil Packing (wick)
350028C	13871	Driving Pulley Shaft Bushing Set Screw
228626	13926	" " " Collar with two 200378C
200378C	13881	Driving Pulley Shaft Collar Set Screw
228618	13926	Eyelet Cutter Driving Pulley, 4-5/8 in. diam., with 200342C and 200347C
228619	13926	Eyelet Cutter Driving Pulley Driving Pinion, 16 teeth, with 454C
2117	13871	Eyelet Cutter Driving Pulley Driving Pinion Pin
454C	13925	Eyelet Cutter Driving Pulley Driving Pinion Set Screw
200342C	13871	Eyelet Cutter Driving Pulley Position Screw
200347C	13871	Eyelet Cutter Driving Pulley Set Screw
228579	13869	" " " " Shaft
228580	13869	" " " " Bushing with 224392
224392	-----	Eyelet Cutter Driving Pulley Shaft Bushing Oil Packing (wick)
350028C	13871	Eyelet Cutter Driving Pulley Shaft Bushing Set Screw
228620	13926	Eyelet Cutter Driving Pulley Shaft Gear, 48 teeth, with 448C
2117	13871	Eyelet Cutter Driving Pulley Shaft Gear Pin

No.	Plate	Name
448C	13800	Eyelet Cutter Driving Pulley Shaft Gear Set Screw
228621	13926	Machine Driving Pulley (loose), 3-1/8 in. diameter
228622	13926	Machine Driving Pulley Clutch
214179	13925	" " " " Roller
214181	13925	" " " " Spring
214180	13925	" " " " "
		Plunger
200050C	13925	Machine Driving Pulley Clutch Screw
228623	13926	" " " Collar with two 200364C
200364C	13703	Machine Driving Pulley Collar Set Screw
228627	-----	Driving Attachment complete, Nos. 50075J, 228573, 228574, 228579, 228580, 228618 to 228626, two each 2117, 228571, three each 41125, 51046E, 200050C and 214179 to 214181
228578	-----	Driving Attachment and Idler complete, Nos. 228587 and 228627
234342	-----	Front Plank Extension (back) with two wood screws 1-1/2 in., No. 10 (for flat table)
234343	-----	Front Plank Extension (back) with three wood screws 1-1/2 in., No. 10 and six 1-1/2 in. wire nails, for Singer Safety Power Table (trough)
234349	-----	Front Plank Extension (back) with four wood screws 1-1/2 in., No. 10, for Singer Universal Safety Power Table (flat)
234350	-----	Front Plank Extension (back) with six wood screws 1-1/2 in., No. 10, for Singer Universal Safety Power Table (trough)
234344	-----	Front Plank Extension (front) with two wood screws 2-1/4 in., No. 12 and three wood screws 1-3/4 in., No. 12
228581	13870	Idler Pulley
228643	13870	" " Belt Guard with 200526C
200526C	13871	" " " " Set Screw
228644	13870	" " Bracket with 200526C
200019E	13871	" " " Screw
228584	13869	" " Shaft with 228586
228602	13871	" " " Oil Cup
228585	-----	" " " Wick
228586	13869	" " " " Wire with 228585
200526C	13871	Idler Pulley Shaft Set Screw

No.	Plate	Name
228587	-----	Idler complete, Nos. 228584, 228602, 228644, two each 228581, 228643 and three 200019E
228604	-----	Motor Base with four each 41125 and 51080E
51080E	13871	Motor Base Screw
41125	13871	" " " Washer
41228	-----	Counter Shaft Driving Pulley (sectional, grooved) 5-1/4 in. diam., 15/16 in. bore, with two 50399E
50399E	13800	Counter Shaft Driving Pulley Screw
27068	-----	Shaft Pulley (sectional, grooved), 8 in. diam., 1-3/16 in. bore, with two 597C
597C	13881	Shaft Pulley Clamping Screw
150027	15448	Starting Device Bracket with two wood screws 1-1/4 in., No. 14
150028	15448	Starting Device Handle
150208	15446	" " " Spring
23250	-----	" " " " Washer
126888	15446	" " " " Collar with 217F
217F	13703	Starting Device Handle Spring Collar Set Screw
126955	15448	Starting Device Rod
126888	15446	" " " Collar with 217F
217F	13703	" " " " Set Screw
126890	-----	Starting Device complete, Nos. 126955, 150027, 150028, 150208, two 23250 and three 126888
150183	15448	Table Belt Guide Bracket with 795C
50285R	15448	" " " " Bolt
126841	15448	" " " " " Clamping Plate
126846	15446	Table Belt Guide Bracket Bolt Nut Lock Washer
12620	15448	Table Belt Guide Bracket Bolt Washer
126750	15448	" " " Pulley with 126752
126868	15448	" " " " Shaft
126752	15448	" " " " Bushing
126869	15448	" " " " " Collar with 1448C
1448C	15446	Table Belt Guide Pulley Shaft Collar Set Screw
795C	13881	Table Belt Guide Pulley Shaft Set Screw
150184	15448	" " " " " Support Bracket with two wood screws 1 in., No. 12, F.H.
126870	-----	Table Belt Guide complete, Nos. 12620, 50285R, 126841, 126846, 126868, 150183 150184, two each 126750 and 126869

No.	Plate	Name
126715	15448	Transmitter Pulley (sectional, grooved), sheet metal, 5-1/4 in. diameter
228645	-----	Driving Equipment complete, for Singer Universal Safety Power Table (flat), Nos. 126715, 126870, 126890, 228627, 228628, 228630, 234349 and blue print template
228646	-----	Driving Equipment complete, for Singer Universal Safety Power Table (trough), Nos. 126715, 126870, 126890, 228627, 228628, 228630, 234350 and blue print template
228599	-----	Driving Equipment complete, for Old Style Power Table (flat), Nos. 27068, 228578, 228596, 228628, 228631, 234342, 234344 and blue print template
228600	-----	Driving Equipment complete, for Singer Safety Power Table (flat), Nos. 41228 228578, 228598, 228628, 228630, 234342, 234344 and blue print template
228605	-----	Driving Equipment complete, for Individual Motor Table, Nos. 228627 to 228629
228606	-----	Driving Equipment complete, for Singer Safety Power Table (trough), Nos. 41228 228578, 228598, 228628, 228630, 234343, 234344 and blue print template
228609	-----	Driving Equipment complete, for Bridgeport Old Style Power Table, (trough) and Singer Universal Power Table (trough), Nos. 27068, 228578, 228596, 228608, 228628, 228631, 234344 and blue print template
228611	-----	Driving Equipment complete, for E'port Old Style Power Table (trough), Nos. 27068, 228578, 228596, 228610, 228628, 228631, 234344 and blue print template
228612	-----	Driving Equipment complete, for use in connection with Electric Transmitter Motor on Power Table (flat), Nos. 228627 to 228629, 234342, 234344 and blue print template
228613	-----	Driving Equipment complete, for use in connection with Electric Transmitter Motor on Power Table (E'port trough), Nos. 228610, 228627 to 228629, 234344 and blue print template

FOR MACHINE No. 99w66

Same as for No. 99w65 with the following
exception:

No.	Plate	Name
250844	13796	Eyelet Cutting Punch, 5/32 in.diam., in place of 250841

SHAFT PULLEYS

27271	-----	Shaft Pulley (sectional, grooved), 4 in. diam., 1-3/16 in. bore, with two 597C
232920	-----	Shaft Pulley (sectional, grooved), 4-1/2 in. diam., 1-3/16 in. bore, with two 597C
27065	-----	Shaft Pulley (sectional, grooved), 5 in. diam., 1-3/16 in. bore, with two 597C
232879	-----	Shaft Pulley (sectional, grooved), 5-1/2 in. diam., 1-3/16 in. bore, with two 597C
27066	13747	Shaft Pulley (sectional, grooved), 6 in. diam., 1-3/16 in. bore, with two 597C
232880	-----	Shaft Pulley (sectional, grooved), 6-1/2 in. diam., 1-3/16 in. bore, with two 597C
27067	-----	Shaft Pulley (sectional, grooved), 7 in. diam., 1-3/16 in. bore, with two 597C
232881	-----	Shaft Pulley (sectional, grooved), 7-1/2 in. diam., 1-3/16 in. bore, with two 597C
27068	-----	Shaft Pulley (sectional, grooved), 8 in. diam., 1-3/16 in. bore, with two 597C
232882	-----	Shaft Pulley (sectional, grooved), 8-1/2 in. diam., 1-3/16 in. bore, with two 597C
27069	-----	Shaft Pulley (sectional, grooved), 9 in. diam., 1-3/16 in. bore, with two 597C
232883	-----	Shaft Pulley (sectional, grooved), 9-1/2 in. diam., 1-3/16 in. bore, with two 597C
27070	-----	Shaft Pulley (sectional, grooved), 10 in. diam., 1-3/16 in. bore, with two 597C
27072	-----	Shaft Pulley (sectional, grooved), 12 in. diam., 1-3/16 in. bore, with two 597C
27074	-----	Shaft Pulley (sectional, grooved) 14 in. diam., 1-3/16 in. bore, with two 597C
27075	-----	Shaft Pulley (sectional, grooved) 15 in. diam., 1-3/16 in. bore, with two 597C
597C	13881	Shaft Pulley Clamping Screw

COUNTER SHAFT DRIVING
PULLEYS

FOR SINGER SAFETY POWER TABLE

No.	Plate	Name
41219	-----	Driving Pulley (sectional, grooved), 3 in. diam., 15/16 in. bore (for Table Shaft) with two 50399E
41220	13804	Driving Pulley (sectional, grooved), 3-1/4 in. diam., 15/16 in. bore (for Table Shaft), with two 50399E
41221	-----	Driving Pulley (sectional, grooved), 3-1/2 in. diam., 15/16 in. bore (for Table Shaft), with two 50399E
41222	-----	Driving Pulley (sectional, grooved), 3-3/4 in. diam., 15/16 in. bore (for Table Shaft), with two 50399E
41223	-----	Driving Pulley (sectional, grooved), 4 in. diam., 15/16 in. bore (for Table Shaft), with two 50399E
41224	-----	Driving Pulley (sectional, grooved), 4-1/4 in. diam., 15/16 in. bore (for Table Shaft), with two 50399E
41228	-----	Driving Pulley (sectional, grooved) 5-1/4 in. diam., 15/16 in. bore, with two 50399E

OBSOLETE PARTS

No.	Plate	Name
225589	13701	Bed Cushion (leather)
232495	13702	" Shaft Bevel Gear (Order Position Screw or Set Screw, as required)
232497	13703	Bed Shaft Bushing (front) Oil Tube
232934	-----	Belt, size 5/16 in. diam., length 17-1/2 ft., with 25029
228568	13870	Driving Cone Pulley (for driving machine) 4-1/8 and 6 in. diam., with 200342C and 200347C
200342C	13871	Driving Cone Pulley Position Screw
200347C	13871	" " " Set Screw
228569	13869	" " " Shaft
202625	13871	" " " " Collar with two 200383C
200383C	13871	Driving Cone Pulley Shaft Collar Set Screw
228572	13870	Driving Pulley (for eyelet cutter), 4-1/2 in. diam., with 200342C and 200347C
200342C	13871	Driving Pulley Position Screw
200347C	13871	" " Set Screw
18897	13869	" " Driving Pinion with 453C
453C	13800	" " " Set Screw
18898	13869	" " Shaft Gear with 453C
453C	13800	" " " Set Screw
232114	13712	" Wheel Stop Cam
232116	13710	" " " " Washer
250802	13793	Eyelet Cutting Block (brass)
232509	13789	" " Lever Bracket Gib (left)
232531	13710	Feed Wheel Driving Pawl Spring
250809	13790	" " " Ring Friction Spring
232534	13714	" " " " Gib
204246	13871	Idler Pulley Shaft Collar with two 200383C
232545	12714	Looper Adjusting Gib
232560	13717	" and Under Needle Driving Crank
232564	13717	" " " " Lever with 175D
232382	13721	Safety Plate Position Pin
232262	13724	Stop Lever Bracket
232266	13725	" " Interlocking Slide Spring
232601	13725	Thread Clamping Blade
232983	13746	" Unwinder Spool Pin
202486	13746	" " " "
232363	13746	" " " " (wood)
232418	13746	" " " " Cap
41530	13867	" " " Rest
60455	-----	" " " " 41530 with 1149C and two 155C

No.	Plate	Name
227499	13867	Thread Unwinder Spool Rest with 200363C and 202486
232927	13925	Thread Unwinder Thread Cone Ring
232899	13746	" " " " Support
232990	13867	" " " " Guard
232991	13746	" " " " Bracket with two 448C
232992	13867	Thread Unwinder Thread Guard Rod (upper) with 1498C
232270	13728	Under Thread Clamping Spring
232272	13728	" " Cutter
232294	13730	Work Clamp Arm Bracket (left)
232295	13730	" " " " (right)
232299	13731	" " " Spring
250825	13795	" " Base (left)
250826	13795	" " " (right)
250859	-----	" " " (left) 250825, with 106C, 120E, 227D, 402D, 990D, 991C, 2273, 23606, 200051F, 201476C, 214523, 226163, 232270, 232272, 232293, 232319, 232344, 232348, 232604, 232606, 232674 to 232676, 232680, 232695 to 232699, 232768 to 232770, 232810, 232834 to 232837, 250813, 250823, 250827, 250834, 250856, 250861, 250863, 250865, 251007, 350075E, two each 190D, 207E, 217D, 1443F, 1550J, 200092D, 200186B three each 7071 and 232343
250860	-----	Work Clamp Base (right) 250826 with 217D 1423F, 7071, 200051F, 200110D, 203149, 214523, 225604, 226163, 232075, 232293, 232297, 232315, 232317, 232318, 232334, 232677, 232680, 232726, 250824, 250828, 250820, 250862, 250863, 350075E, two each 1443F, 200092D and four 232343
251012	13797	Work Clamp Base (left)
251014	13797	" " " (right)
251013	-----	" " " (left) 251012, with 106C, 120E, 227D, 402D, 990D, 991C, 2273, 23606, 200051F, 201476C, 214523, 226163, 232270, 232272, 232293, 232319, 232344, 232348, 232604, 232606, 232674 to 232676, 232680, 232695 to 232699, 232768 to 232770, 232810, 232834 to 232837, 250813, 250823, 250827, 250834, 250863, 251007, 251018, 251022, 350075E, two each 190D, 217D, 1443F, 1550J, 200092D, 200186B, three each 7071 and 232343

OBSOLETE PARTS

No.	Plate	Name
251015	-----	Work Clamp Base (right) 251014 with 217D, 1423F, 7071, 200051F, 200110D, 203149, 214523, 225604, 226163, 232075, 232293, 232297, 232315, 232317, 232318, 232334, 232677, 232680, 232726, 250824, 250828, 250863, 251016, 251023, 350075E, two each 1443F, 200092D and four 232343
232287	13732	Work Clamp Carrier Slide Stay Plate Position Pin
251020	-----	Work Clamp Check Thread Clamping Section Spring
250833	13795	Work Clamp Closing Lever
232694	13732	" " " " Spring

BELT SHIFTER

232939	13743	Belt Shifter
232940	13743	" " Base
232941	-----	" " " 232940 with 783E, 9281, 232939, 232943, 232946, 232947, 232949 to 232952, two each 32C, 141C, 1528C, 232948 and wood screws 1-1/4 in., No.12
232942	13743	Belt Shifter Bell Crank
58F	13881	" " " Hinge Screw
232943	13743	" " Bracket with two 362F
362F	13800	" " Set Screw
232944	13743	" " Hand Rod with 202302
232945	13743	" " " Bracket with two wood screws 1 in., No.10
202302	13881	Belt Shifter Hand Rod Cotter Pin
232946	13743	" " Lever (horizontal) with 436C and 795C
436C	13881	Belt Shifter Lever (horizontal) Set Screw
795C	13881	Belt Shifter Lever (horizontal) Set Screw
232947	13743	Belt Shifter Lever (horizontal) Shaft
141C	13881	" " " " Stop Screw
1528C	13881	" " " " " "
		Nut
232948	13743	Belt Shifter Lever (vertical) with 436C and 795C
32C	13881	Belt Shifter Lever (vertical) Hinge Screw
436C	13881	Belt Shifter Lever (vertical) Set Screw
795C	13881	" " " " " "
232949	13743	" " " " Shaft

OBSOLETE PARTS

No.	Plate	Name
204698	13743	Belt Shifter Pitman (lower) with 202302
202302	13881	" " " " Cotter Pin
227933	13743	" " " (upper)
204126	13881	" " " Clamp with two 200530C
200530C	13881	Belt Shifter Pitman Clamp Set Screw
232952	13743	" " Rod (adjustable)
232950	13743	" " Adjusting Bracket with 362F
783E	13881	Belt Shifter Rod Adjusting Bracket Screw
9281	13800	" " " " " "
		Washer
232951	13743	Belt Shifter Rod Adjusting Bracket Sup- port
362F	13800	Belt Shifter Rod Set Screw
362F	13800	" " Set Screw
232933	-----	Belt Shifter complete, Nos. 58F, 204698, 227933, 232941, 232942, 232944, 232945 and two 204126

TABLE BELT GUIDES

23536	13743	Belt Guide with two 168E
168E	13881	" " Set Screw
14229	13743	Bracket with 448C
23538	13743	Pulley
39708	13743	" Shaft with 858C and 130901
858C	13881	" " Oil Hole Plug Screw
130901	-----	" " Wick
448C	13800	" " Set Screw
39716	13743	Table Belt Guide (single, left) complete, Nos. 14229, 23536, 23538, 39708 and four wood screws 1-1/4 in., No.12, R.H.B.
39709	13743	Table Belt Guide (single, right) complete Nos. 14229, 23536, 23538, 39708 and four wood screws 1-1/4 in., No.12, R.H.B.

TRANSMITTER

51077E	13881	Transmitter Bolt
202622	13881	" " Washer
232994	13744	" Frame with two 202244
232995	13744	" Pulley (large) with two 436C
232996	13744	" " (small) with two 436C

OBSOLETE PARTS

No.	Plate	Name
436C	13881	Transmitter Pulley Set Screw
232897	13744	" Shaft
210559	13881	" Collar with two 200378C
200378C	13881	" " Set Screw
202244	-----	" " Oil Packing (wick)
232898	-----	Transmitter, for Eyelet Cutter, complete, Nos. 210559, 232897, 232994 to 232996, two 51077E and four 202622
228501		

FOR SINGER SAFETY POWER TABLE

228501	13799	Belt Shifter, for sewing belt
228502	13799	" " " transmitter belt
232943	13743	" " Bracket with two 362F (2)
228503	13799	" " " Rod
362F	13800	" " " " Set Screw
362F	13800	" " " " Set Screw
228504	13799	" " Hand Rod
228505	13799	" " " " Bracket with two 362F
362F	13800	Belt Shifter Hand Rod Bracket Set Screw
228506	13799	" " " " Guide Plate
228507	-----	Belt Shifter Hand Rod Guide Plate complete, Nos. 201107C, 228506, 228508, and two wood screws 1 in., No. 9
362F	13800	Belt Shifter Hand Rod Set Screw
228508	13800	" " " " Spring
201107C	13925	" " " " " Screw
228509	13799	" " Lever with 362F
228510	13799	" " " Connection with 362F
362F	13800	" " " " Set Screw
9D	13703	" " " Hinge Screw
228511	13801	" " Rod
228512	13801	" " " Bracket with two wood screws 1 in., No. 10
362F	13800	Belt Shifter Set Screw
228513	-----	Cutting Driving Belt, size 5/16 in. diam., length 55-3/4 in., with 25029
228514	13802	Cutting Driving Belt Guard
228551	13800	" " " " Catch with two wood screws 3/4 in., No. 6, R.H.B.
25029	13800	Cutting Driving Belt Hook
228515	13801	" " " Idler
228516	13804	" " " " Bracket with 362F and two 446C
228517	-----	Cutting Driving Belt Idler Bracket 228516 with 228518, 228520, two each 228515, 228521 and wood screws 1-1/4 in., No. 12

OBSOLETE PARTS

No.	Plate	Name
228538	13804	Sewing Driving Pulley (sectional, grooved) 3-1/4 in. diam., 15/16 in. bore (for Table Shaft), with two 50399E
50399E	13800	Sewing Driving Pulley Screw
228540	-----	Transmitter Belt, size 5/16 in. diam., length 50-3/4 in., with 25029
25029	13800	Transmitter Belt Hook
228541	13804	" Bracket
202244	-----	" " Oil Wick
50399E	13800	" " Screw
9281	13800	" " " Washer
41220	13804	" Driving Pulley (sectional, grooved), 3-1/4 in. diam., 15/16 in. bore (for Table Shaft), with two 50399E
50399E	13800	Transmitter Driving Pulley Screw
228542	13804	" Pulley (driving) with 228544
228543	13803	" " " Gear
228544	13800	" " " " Stud
228545	13804	" " (loose)
228546	13803	" " Oil Cup with 453C
453C	13800	" " " " Set Screw
228547	-----	" " " Wick
228548	13803	" " " " Wire with 228547
228549	13803	" " Shaft (hollow)
1504E	13800	" " " Nut
228556	13925	" " " Washer
228550	-----	Transmitter complete, Nos. 1504E, 9281, 50399E, 202244, 228522, 228525, 228526, 228541 to 228543, 228545, 228546, 228548, 228549 and 228556

SHAFT PULLEYS

FOR DRIVING MACHINE

FOR OLD STYLE POWER TABLE

232919	-----	Shaft Pulley (sectional, grooved), 4 in. diam., 1-3/16 in. bore, with two 597C
232963	-----	Shaft Pulley (sectional, grooved), 4-1/2 in. diam., 1-3/16 in. bore, with two each 597C, 232901 and four 232925
232901	-----	Shaft Pulley Belt Guard, for 232963
232964	-----	" " (sectional, grooved), 5 in. diam., 1-3/16 in. bore, with two each 597C, 232884, four each 232922 and 232926
232884	-----	Shaft Pulley Belt Guard, for 232964

OBSOLETE PARTS

47

No.	Plate	Name
228518	13804	Cutting Driving Belt Idler Oil Cup with two 446C
446C	13800	Cutting Driving Belt Idler Oil Cup Set Screw
228519	-----	Cutting Driving Belt Idler Oil Wick
228520	13801	" " " " " " Wire with 228519
228521	13801	Cutting Driving Belt Idler Shaft
446C	13800	" " " " " Set Screw
228522	13804	" " Pulley with two 858C
228523	13802	" " " Guard
228524	13801	" " " " Hinge Stud
362F	13800	" " " " " " Set Screw
228553	13800	Cutting Driving Pulley Guard Hook and Eye
200299H	13925	Cutting Driving Pulley Guard Hook Hinge Screw
858C	13881	Cutting Driving Pulley Set Screw
228525	13801	" " " Shaft
228526	13801	" " " " Gear with two 858C
858C	13881	Cutting Driving Pulley Shaft Gear Set Screw
225243	-----	Sewing Belt, size 5/16 in.diam.,length 58-1/2 in.,with 25029
25029	13800	Sewing Belt Hook
23538	13743	" " Idler
228530	13801	" " " Belt Guide with two 1149C
1149C	13800	Sewing Belt Idler Belt Guide Set Screw
228531	13802	" " " Bracket with two 1149C
228532	-----	" " " " 228531 with 228530,228533,228535,228536,two 23538 and three wood screws 1-3/4 in.,No.14
228533	13803	Sewing Belt Idler Oil Cup with 448C
448C	13800	" " " " " Set Screw
228534	-----	" " " " Wick
228535	13803	" " " " " Wire with 228534
228536	13803	Sewing Belt Idler Shaft
1149C	13800	" " " " Set Screw
228554	13803	" " Retaining Finger
232943	13743	" " " " Bracket with two 362F
362F	13800	Sewing Belt Retaining Finger Bracket Set Screw
362F	13800	Sewing Belt Retaining Finger Set Screw

OBSOLETE PARTS

49

No.	Plate	Name
232965	-----	Shaft Pulley (sectional,grooved),5-1/2 in.diam.,1-3/16 in.bore,with two each 597C,232885,four each 232922 and 232926
232885	-----	Shaft Pulley Belt Guard,for 232965
232967	13747	" " (sectional,grooved),6 in. diam.,1-3/16 in.bore,with two each 597C,232886,four each 232922 and 232926
232886	-----	Shaft Pulley Belt Guard,for 232967
232969	-----	" " (sectional,grooved),6-1/2 in. diam.,1-3/16 in.bore,with two each 597C,232887,four each 232922 and 232926
232887	-----	Shaft Pulley Belt Guard,for 232969
232971	-----	" " (sectional,grooved),7 in. diam.,1-3/16 in.bore,with two each 597C,232888,four each 232922 and 232926
232888	-----	Shaft Pulley Belt Guard,for 232971
232973	-----	" " (sectional,grooved),7-1/2 in. diam.,1-3/16 in.bore,with two each 597C,232889,four each 232922 and 232926
232889	-----	Shaft Pulley Belt Guard,for 232973
232975	-----	" " (sectional,grooved),8 in. diam.,1-3/16 in.bore,with two each 597C,232890,four each 232922 and 232926
232890	-----	Shaft Pulley Belt Guard,for 232975
232976	-----	" " (sectional,grooved),8-1/2 in. diam.,1-3/16 in.bore,with two each 597C,232891,four each 232922 and 232926
232891	-----	Shaft Pulley Belt Guard,for 232976
232977	-----	" " (sectional,grooved),9 in. diam.,1-3/16 in.bore,with two each 597C,232892,four each 232922 and 232926
232892	-----	Shaft Pulley Belt Guard,for 232977
232978	-----	" " (sectional,grooved),9-1/2 in.diam.,1-3/16 in.bore,with two each 597C,232893,four each 232922 and 232926
232893	-----	Shaft Pulley Belt Guard,for 232978
232979	-----	" " (sectional,grooved),10 in. diam.,1-3/16 in.bore,with two each 597C,232894,four each 232922 and 232926
232894	-----	Shaft Pulley Belt Guard,for 232979

No.	Plate	Name
232922	13881	Shaft Pulley Belt Guard Stud
232925	-----	" " " " "
232926	13881	" " " " " Bushing

**SEWING DRIVING PULLEYS
FOR SINGER SAFETY POWER TABLE**

228537	-----	Sewing Driving Pulley(sectional,grooved) 3 in.diam.,15/16 in.bore (for Table Shaft),with two 50399E
228538	13804	Sewing Driving Pulley(sectional,grooved) 3-1/4 in.diam.,15/16 in.bore (for Table Shaft),with two 50399E
228539	-----	Sewing Driving Pulley(sectional,grooved) 3-1/2 in.diam.,15/16 in.bore (for Table Shaft),with two 50399E

Genuine Singer Needles should be used
in Singer Machines.
These Needles and their Containers
are marked with the
Company's Trade Mark "SIMANCO." 1

Needles in Containers marked
"For Singer Machines"
are not Singer made needles. 2

PLATE 13701-FULL SIZE

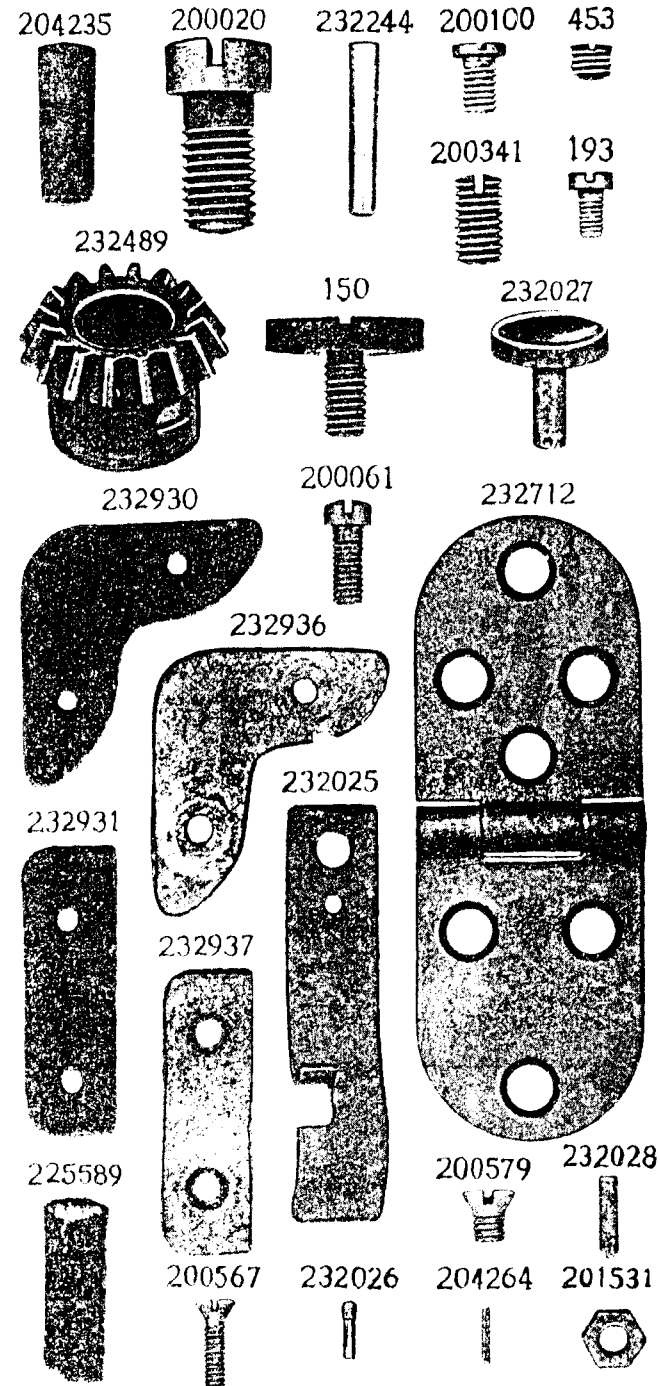


PLATE 13702—ONE-HALF SIZE

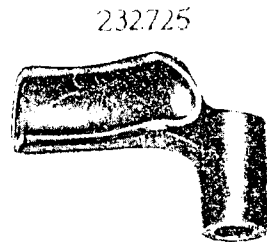
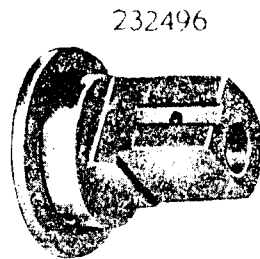
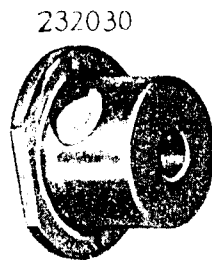
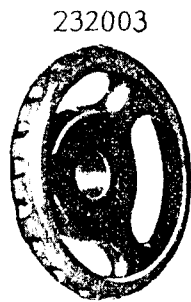
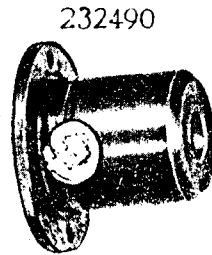


PLATE 13703—FULL SIZE

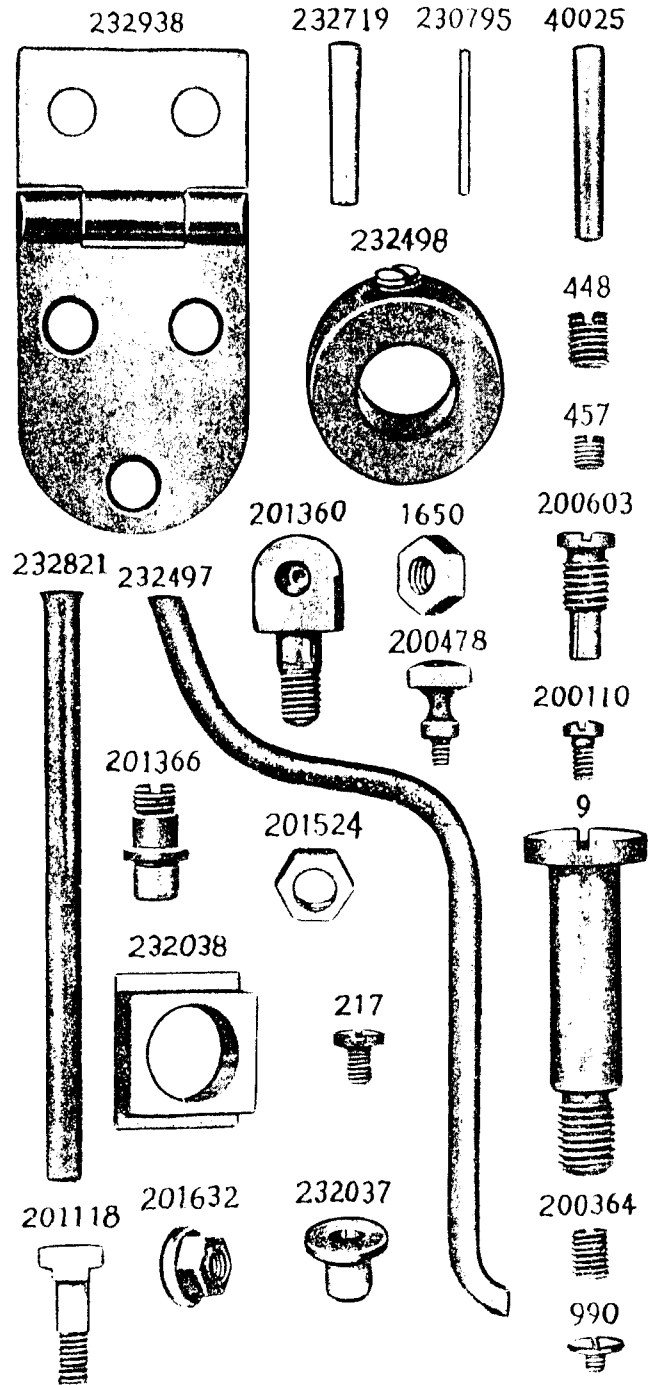


PLATE 13707 - FULL SIZE

232052



232482



232483



662



2273



232054



201672



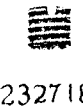
201468



201484



200374



232718



232466



232056



232057



232513



232817



201155



232064



232065



201218



110



201085



1423



8482



232055

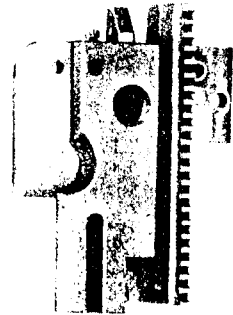


201112

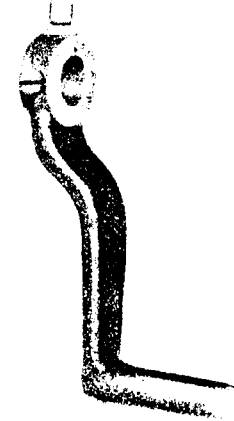


PLATE 13708 - ONE HALF SIZE

232508



232383



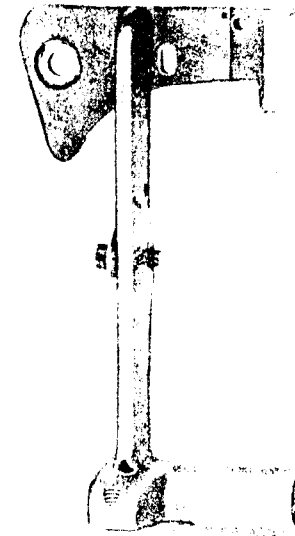
232512



232831



232063



232511



PLATE 13710 FULL SIZE

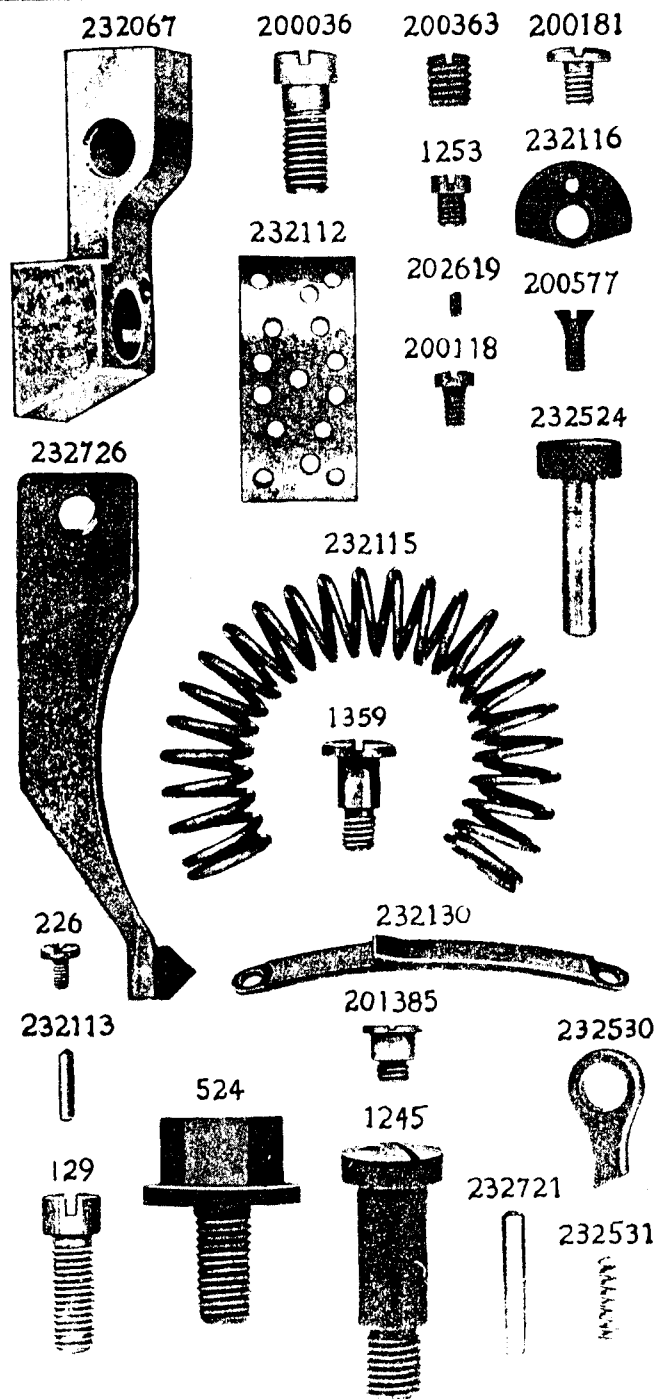


PLATE 13712-ONE-HALF SIZE

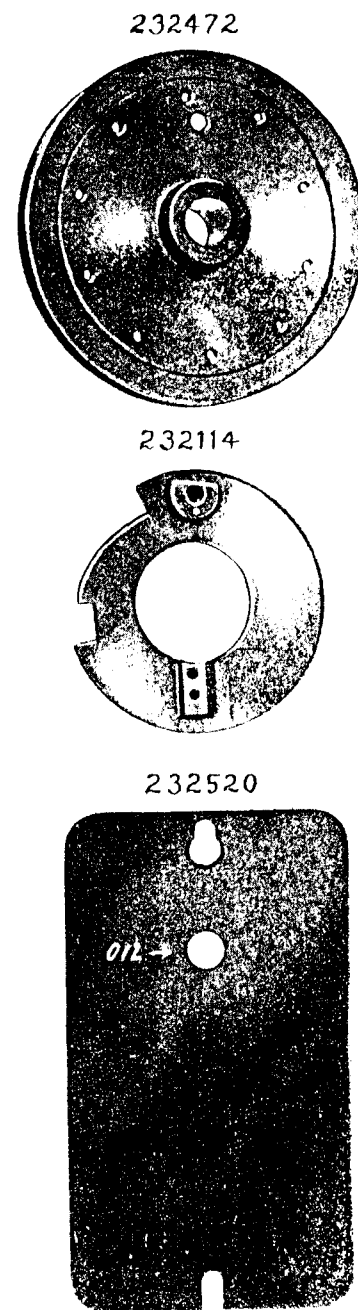


PLATE 13713-ONE-HALF SIZE

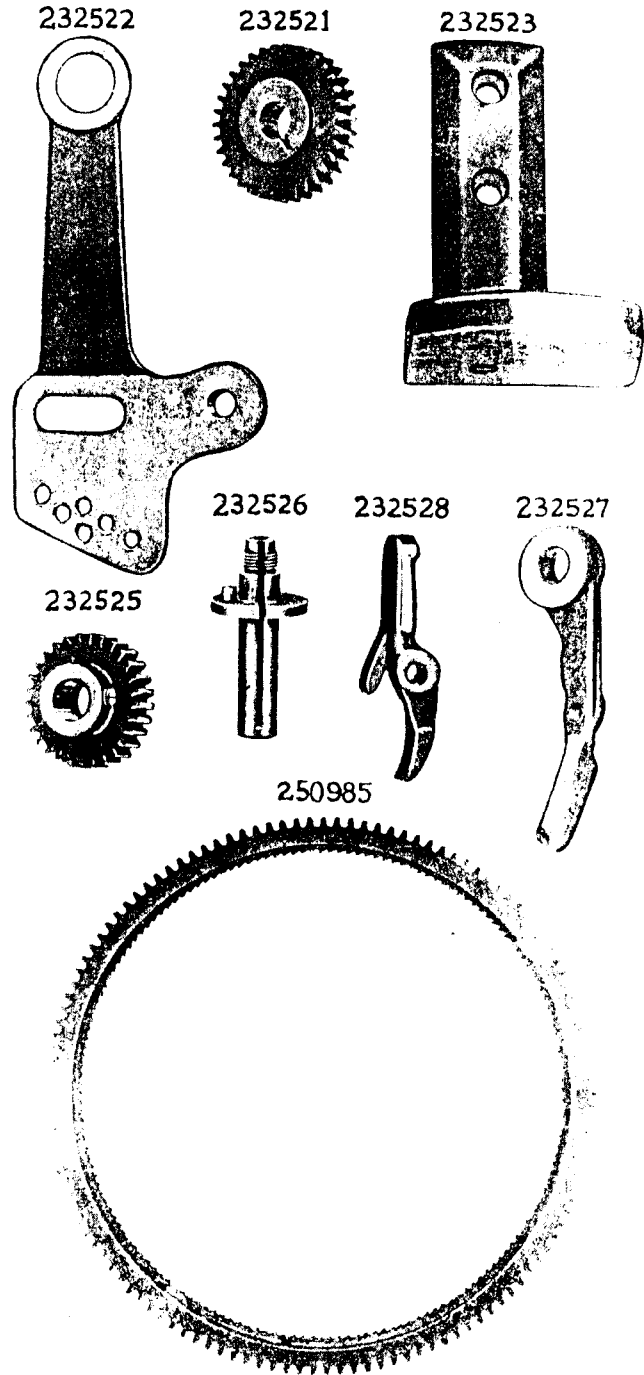


PLATE 13713-FULL SIZE

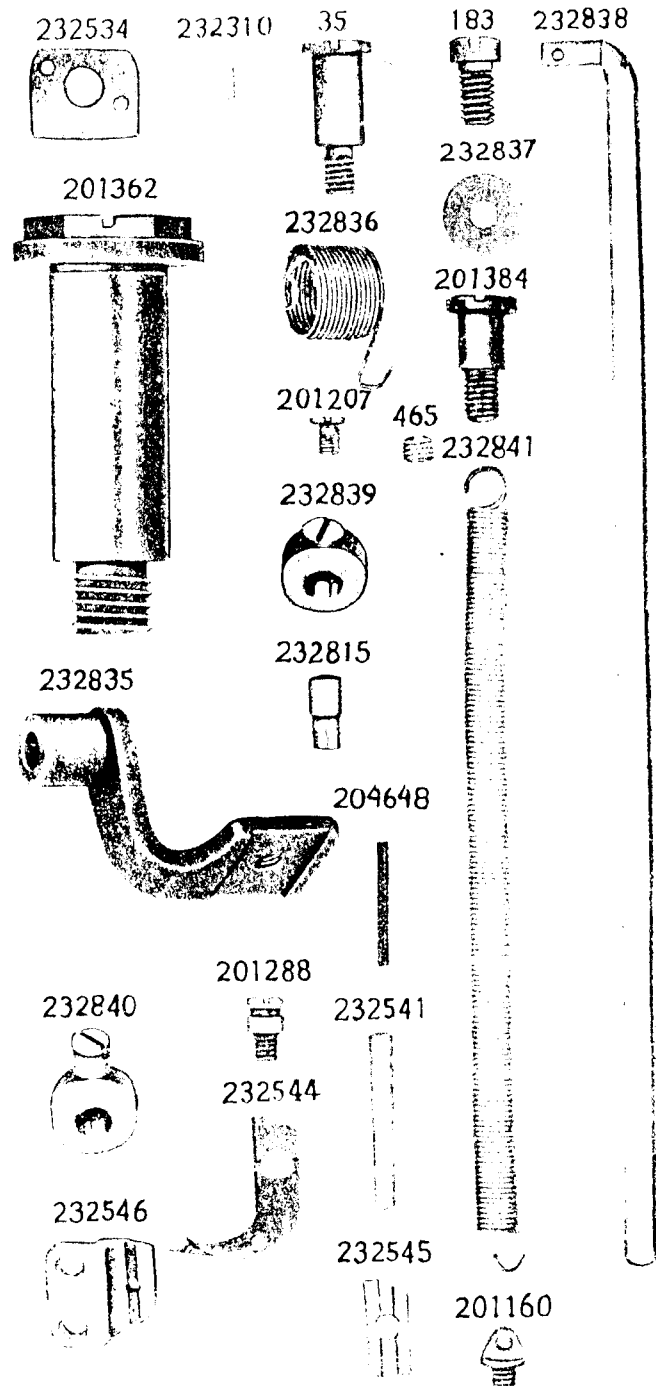


PLATE 13715—ONE-HALF SIZE

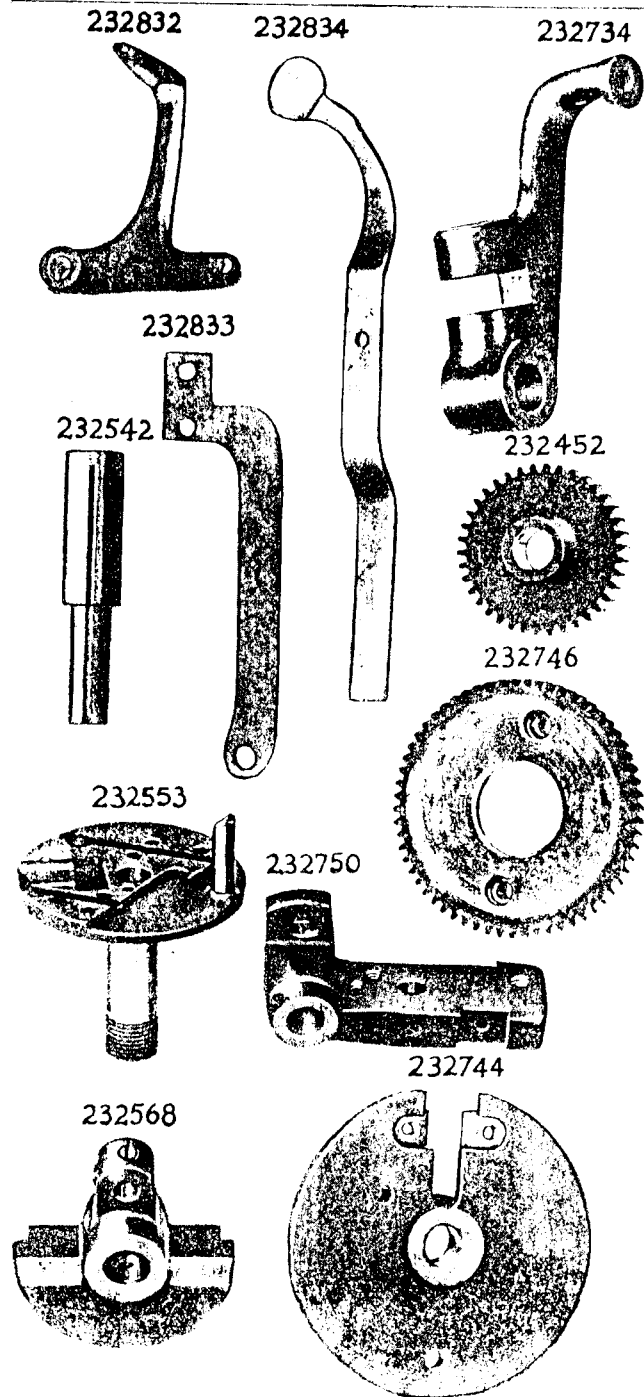


PLATE 13716—FULL SIZE

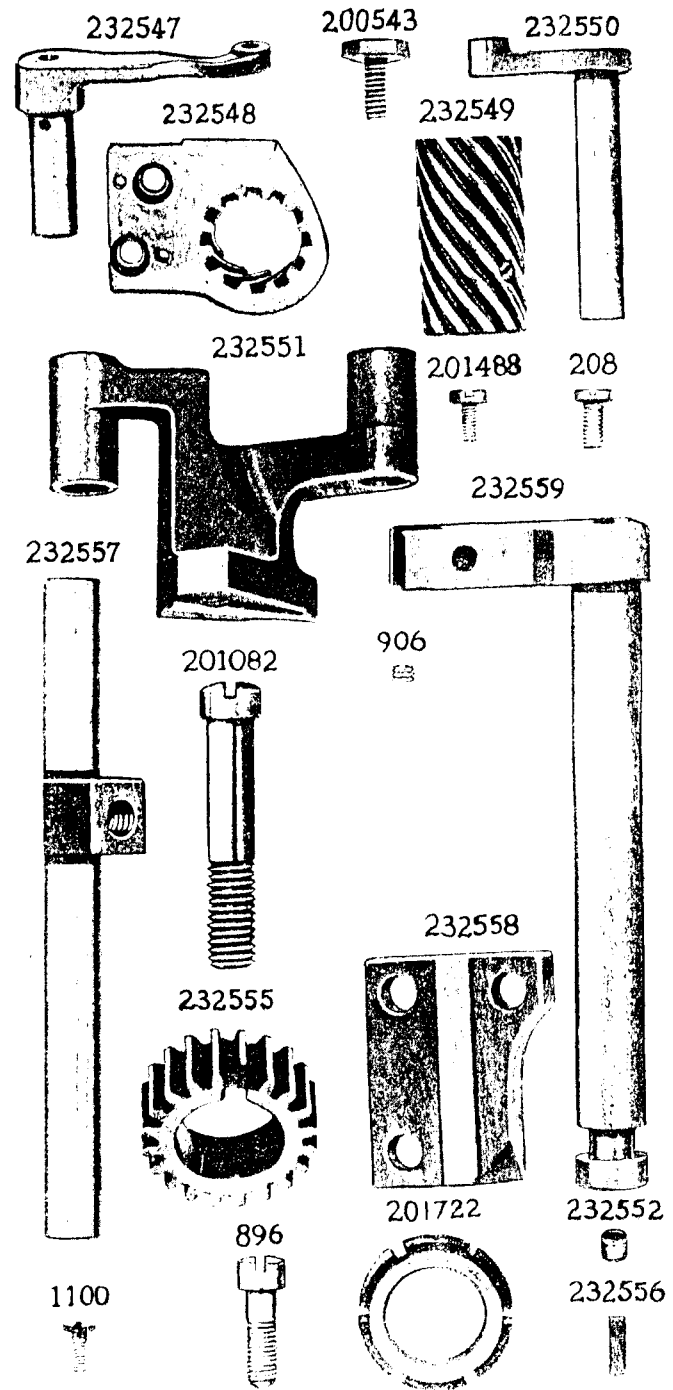


PLATE 13717-FULL SIZE

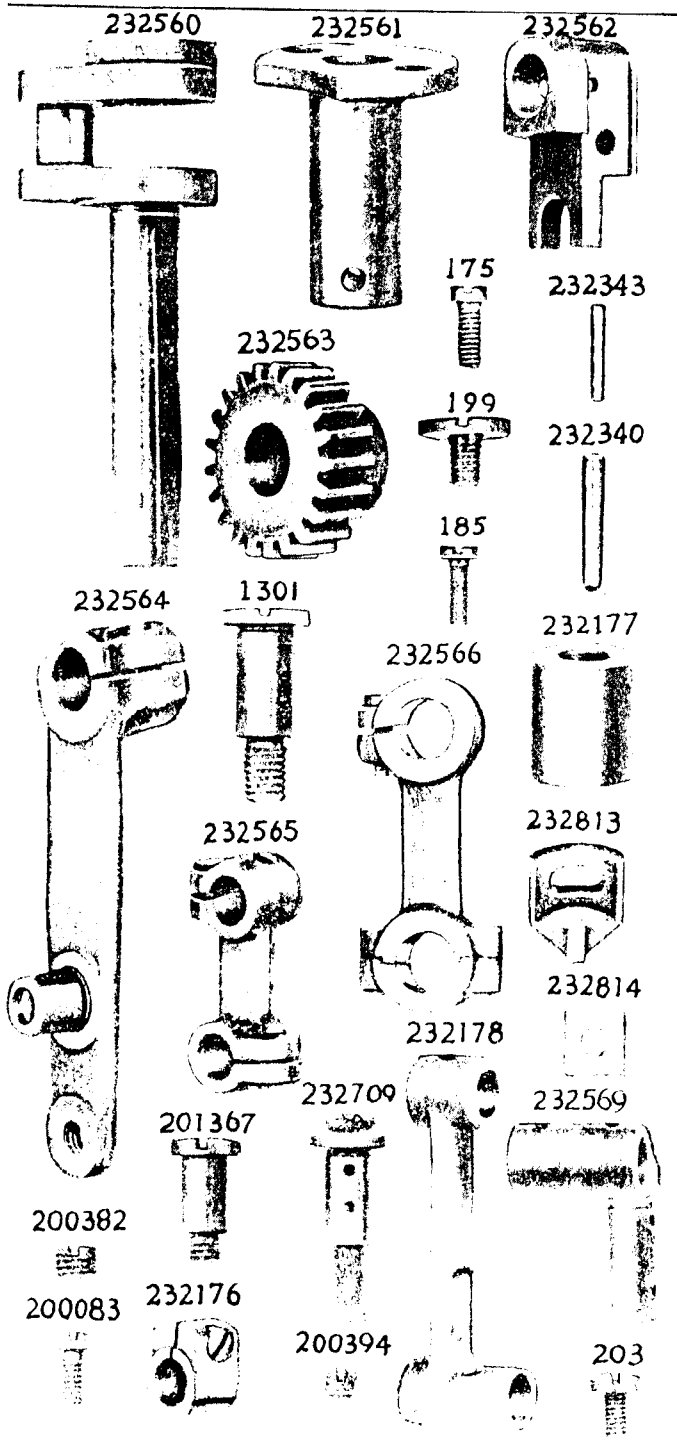


PLATE 13718-FULL SIZE

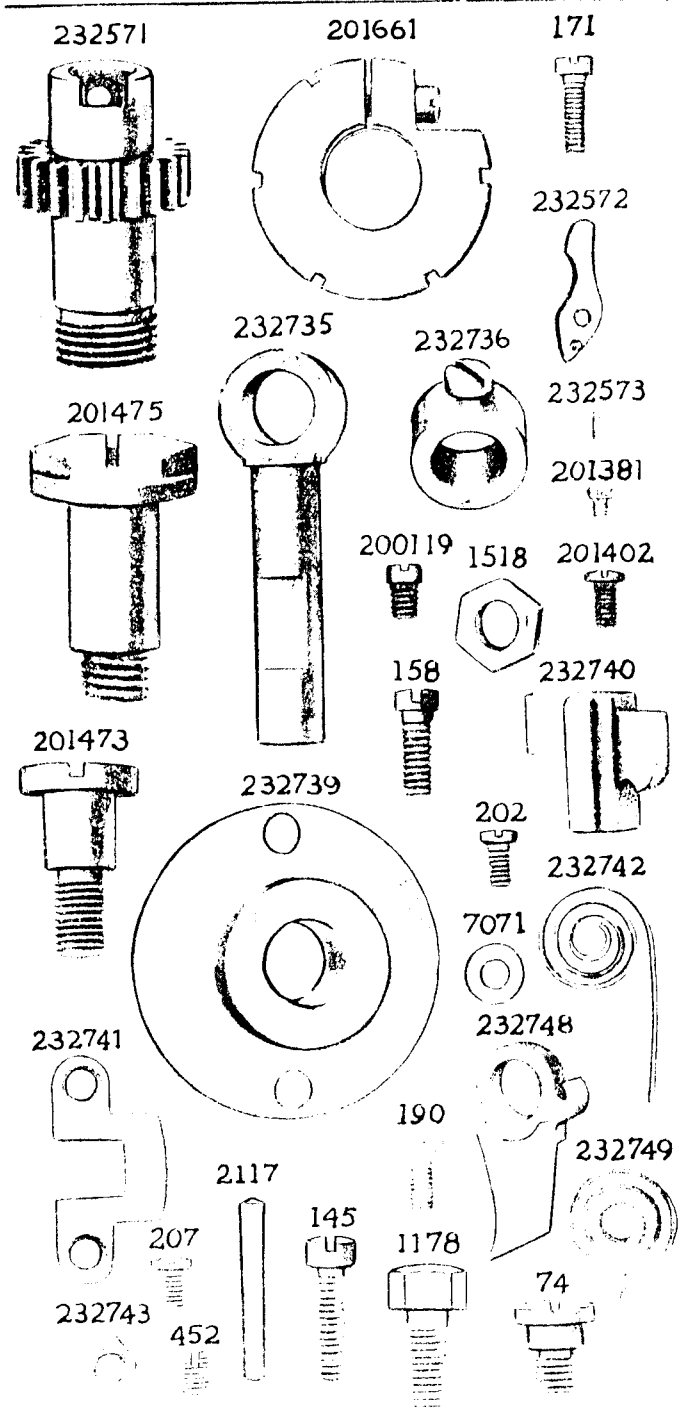


PLATE 13720—FULL SIZE

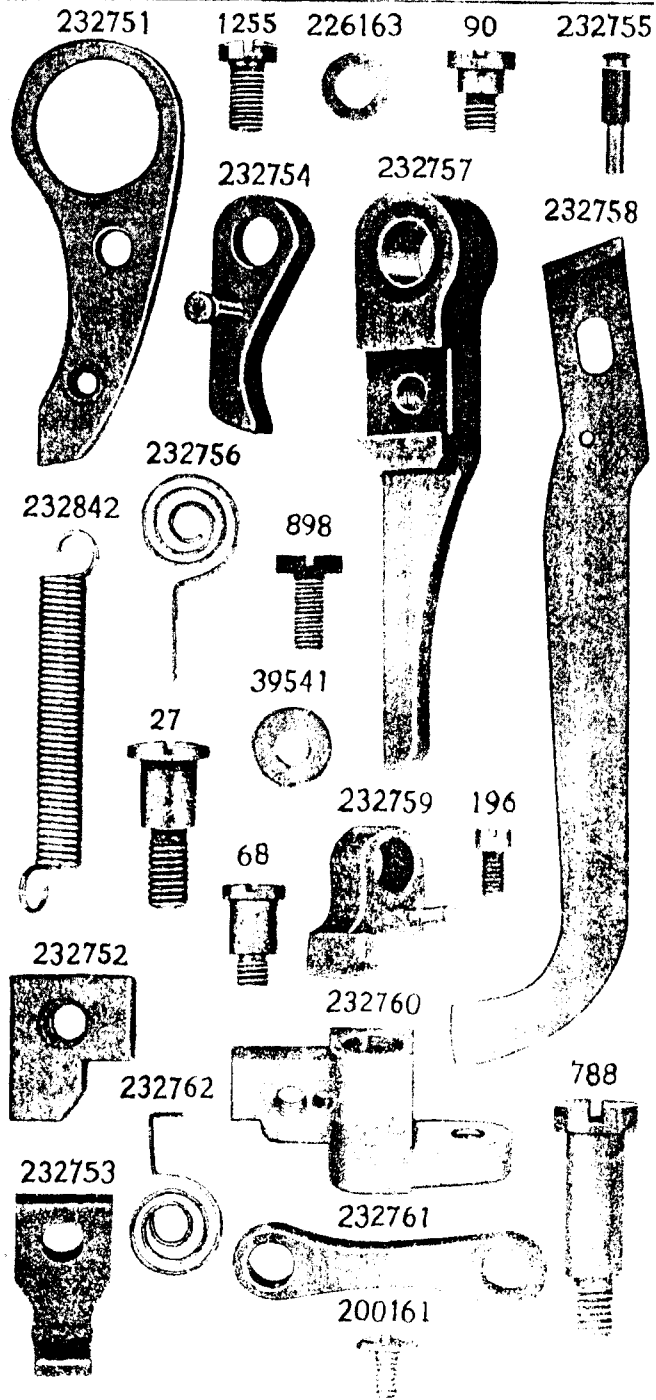


PLATE 13721—FULL SIZE

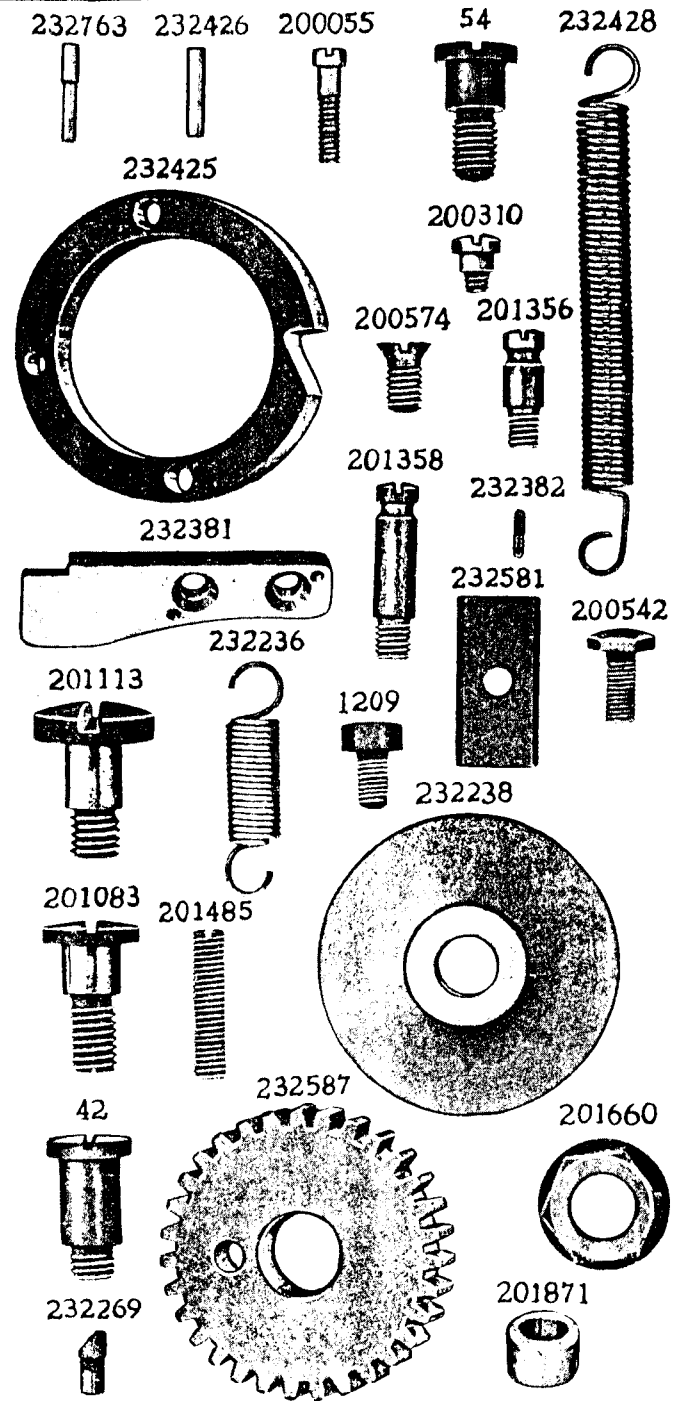


PLATE 13722—ONE-HALF SIZE

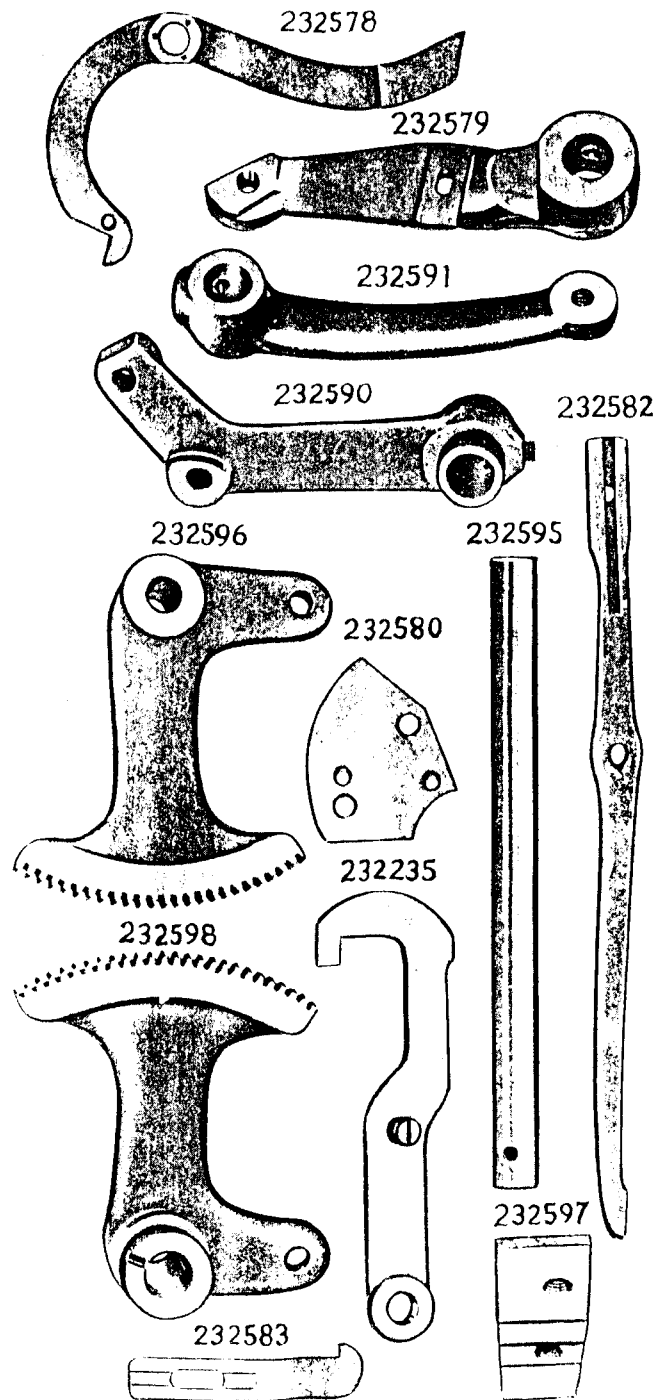


PLATE 13790—FULL SIZE

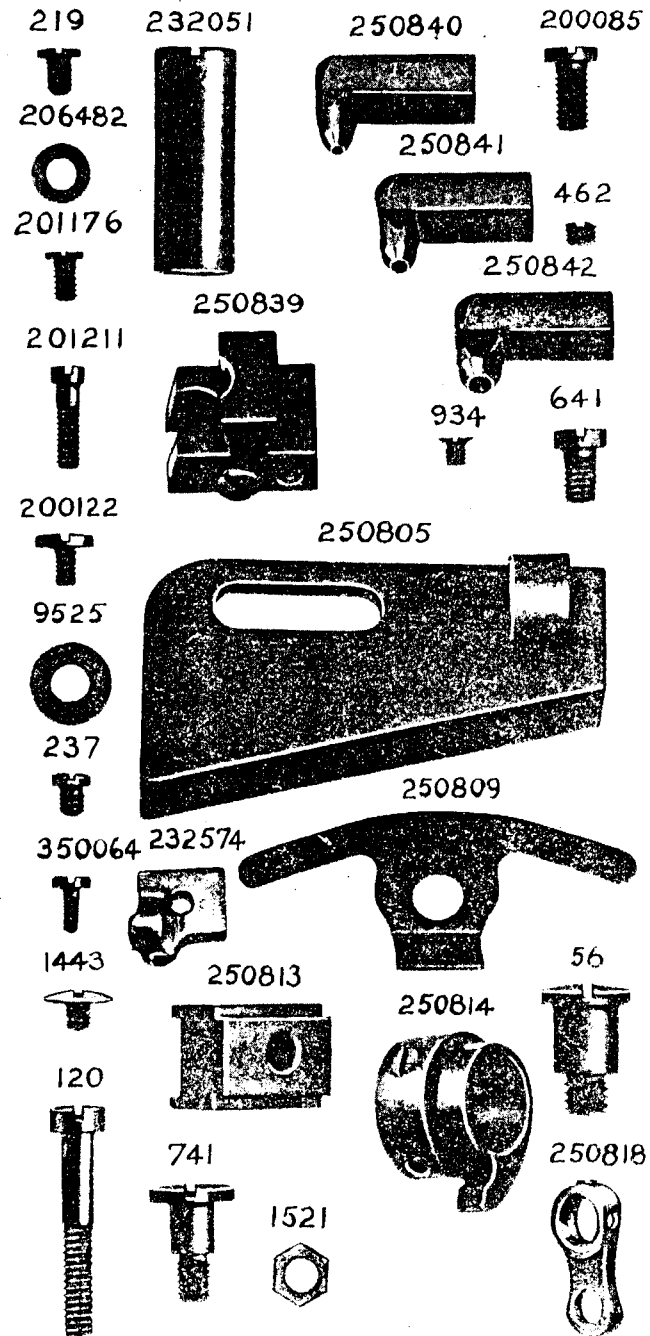


PLATE 13791-ONE-HALF SIZE

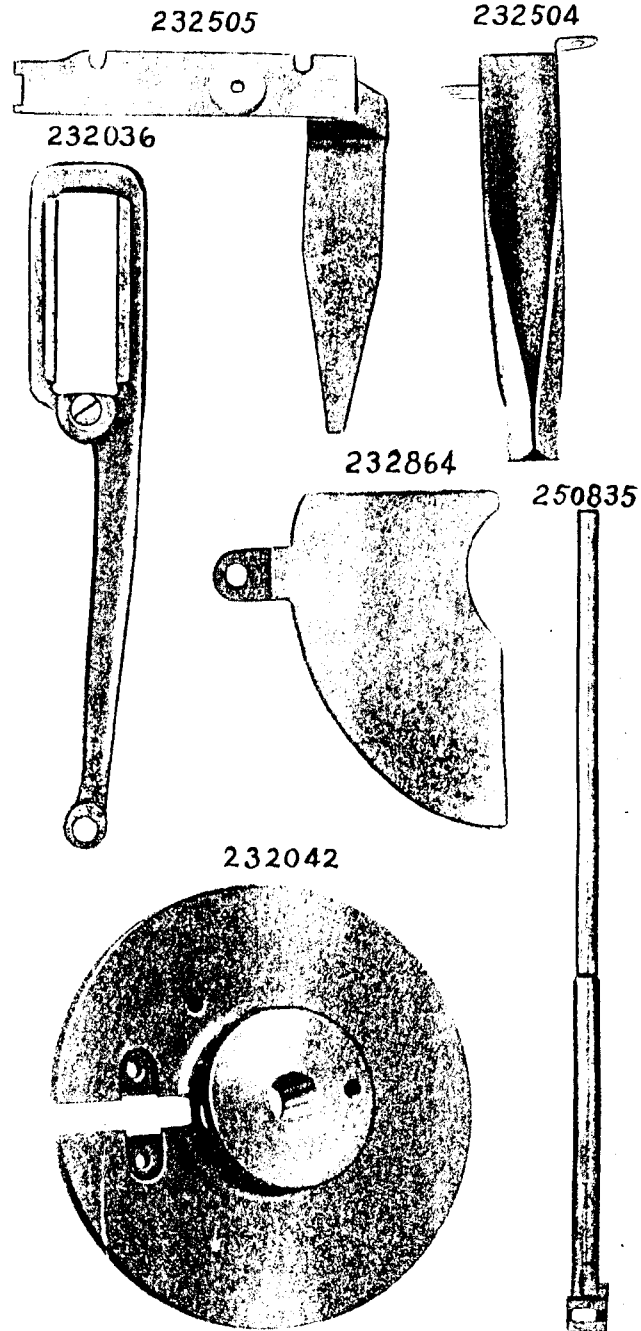


PLATE 13792-ONE-FOURTH SIZE

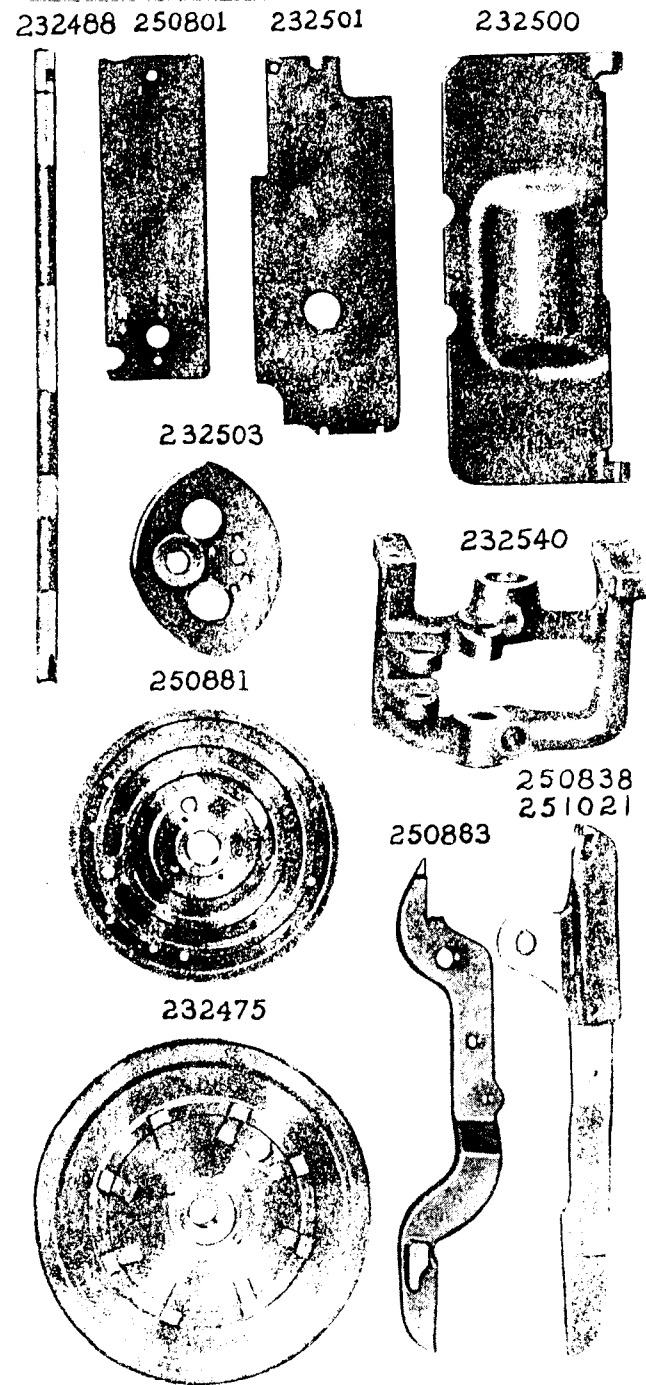


PLATE 13793—FULL SIZE

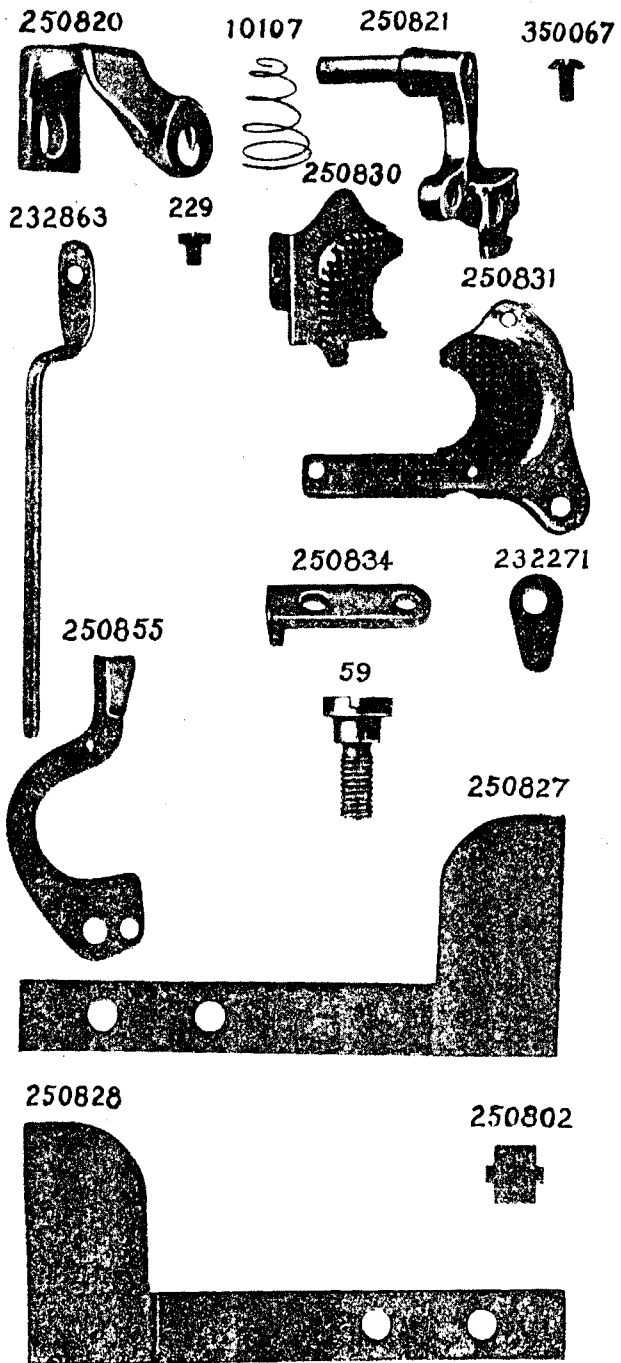


PLATE 13794—ONE-HALF SIZE

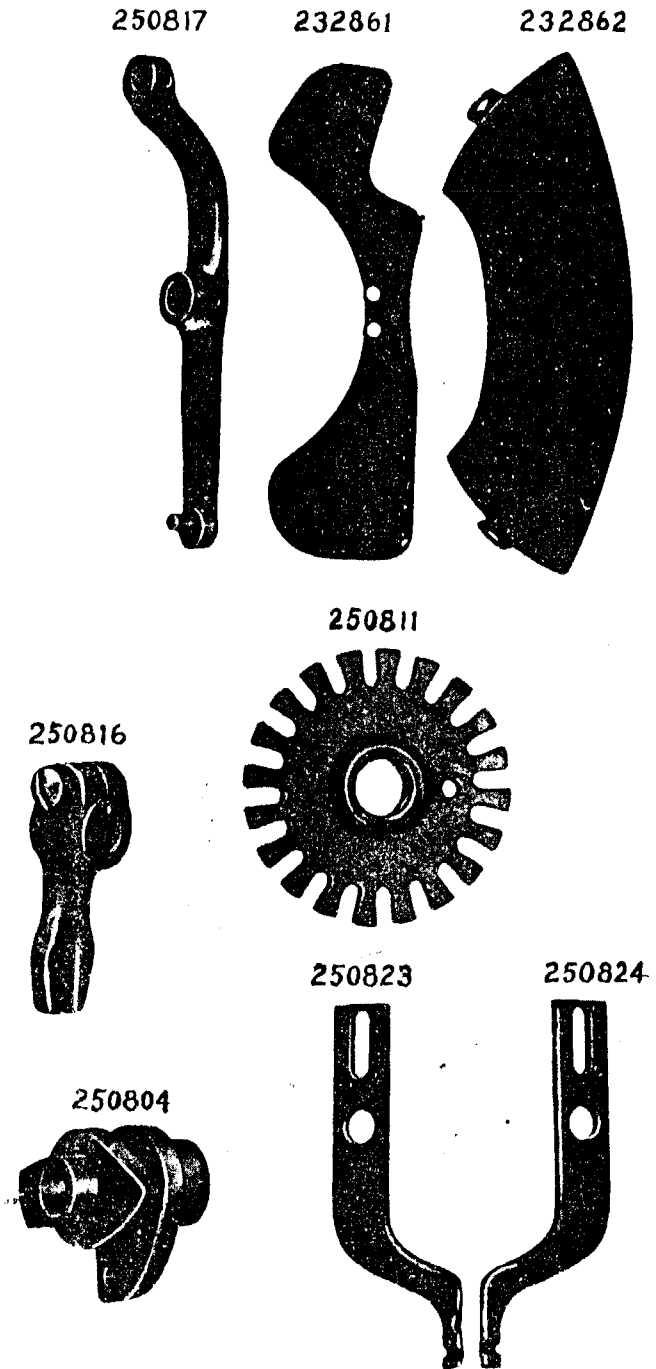


PLATE 13795 ONE-FOURTH SIZE

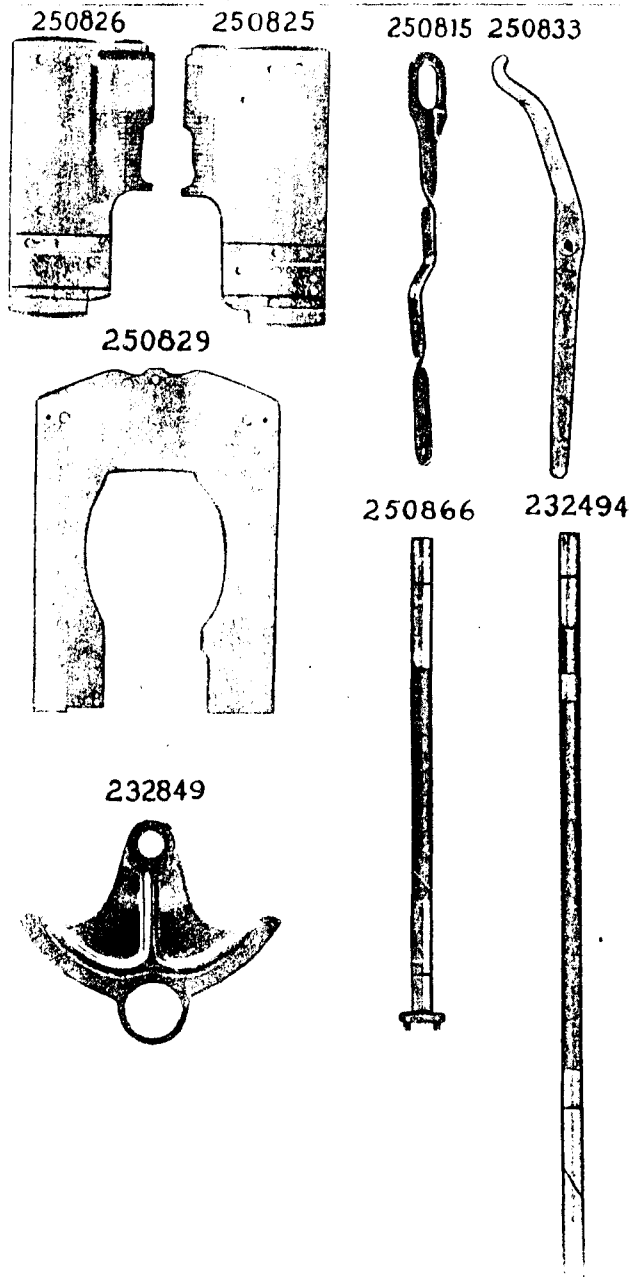


PLATE 13796—FULL SIZE

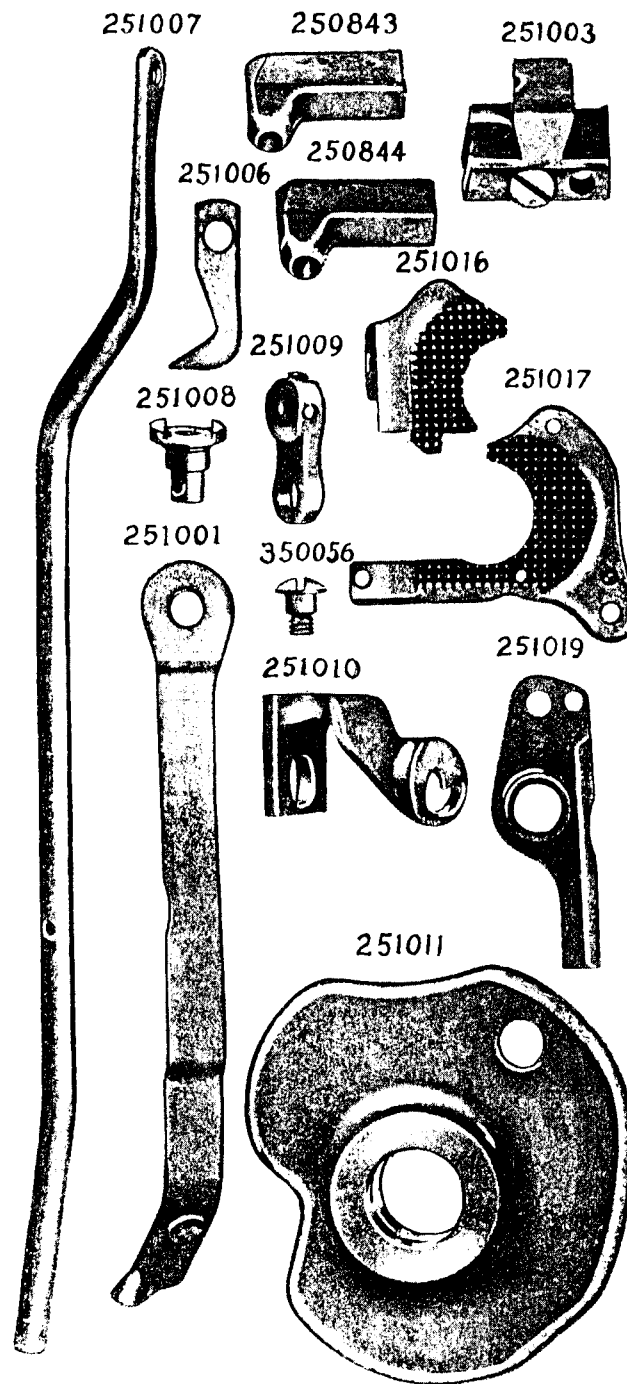
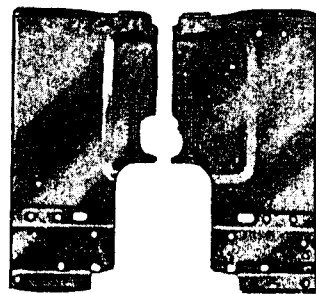


PLATE 13797—ONE-FOURTH SIZE

251012 251014 232869 251002



251032

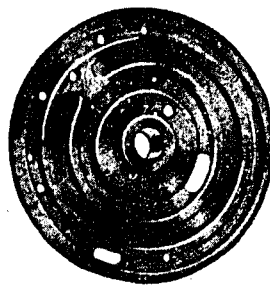
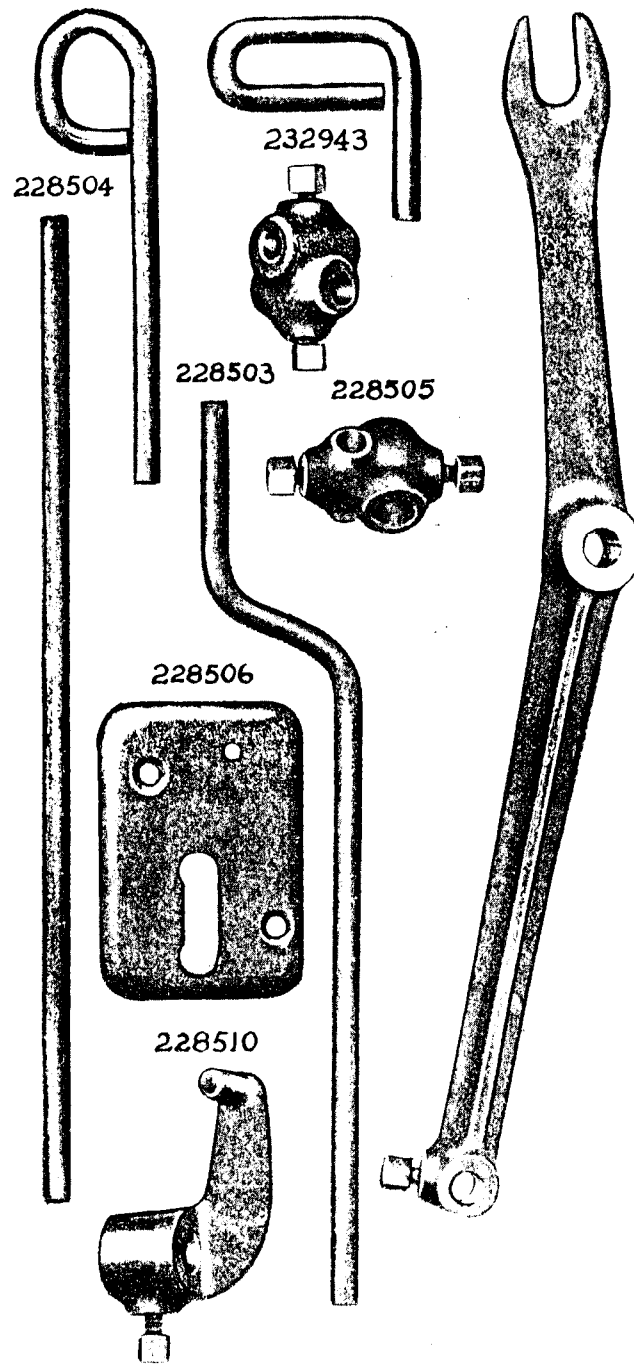


PLATE 13799—ONE-HALF SIZE

228501 228502 228509



228504

232943

228503

228505

228506

228510

PLATE 13800--FULL SIZE

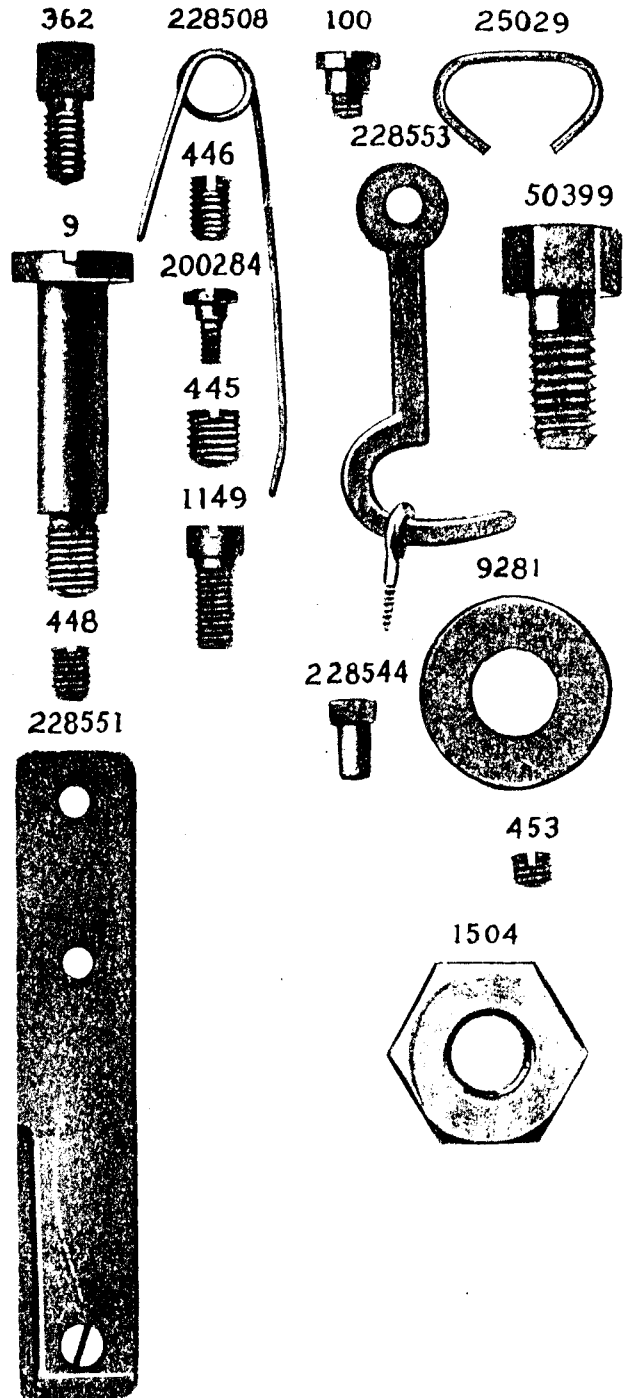


PLATE 13801--ONE-HALF SIZE

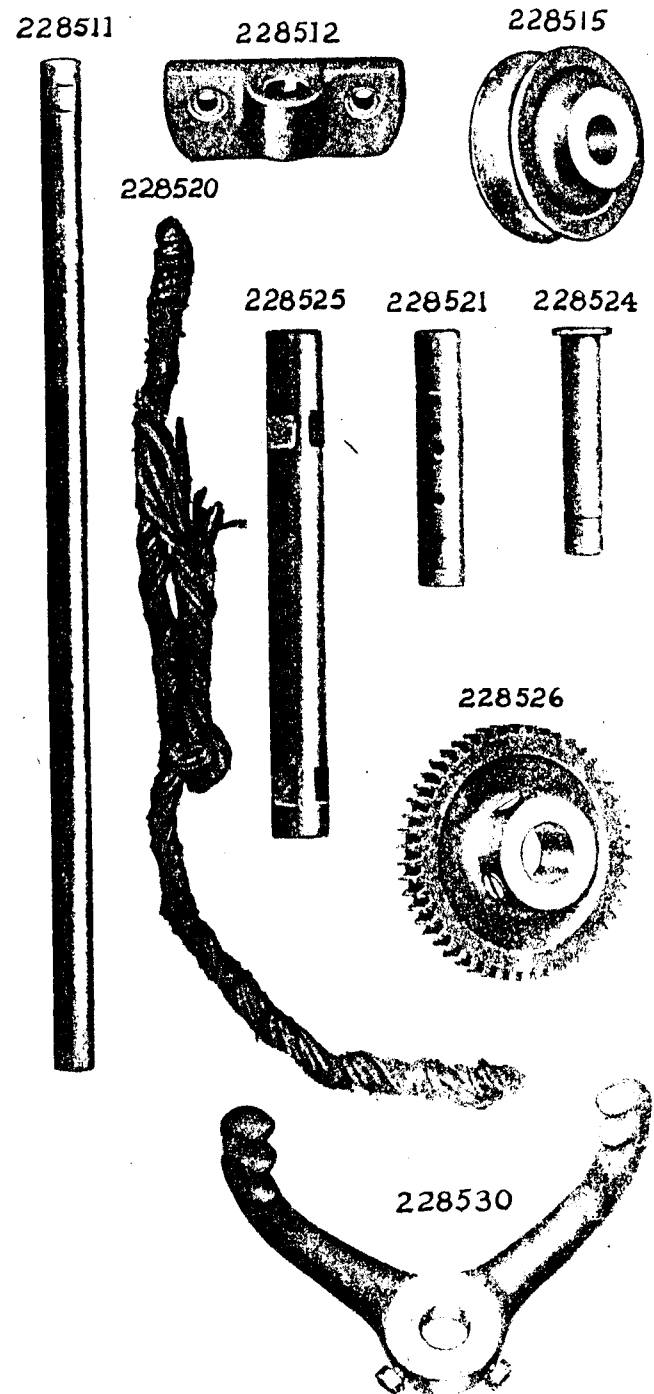


PLATE 13802—ONE-FOURTH SIZE

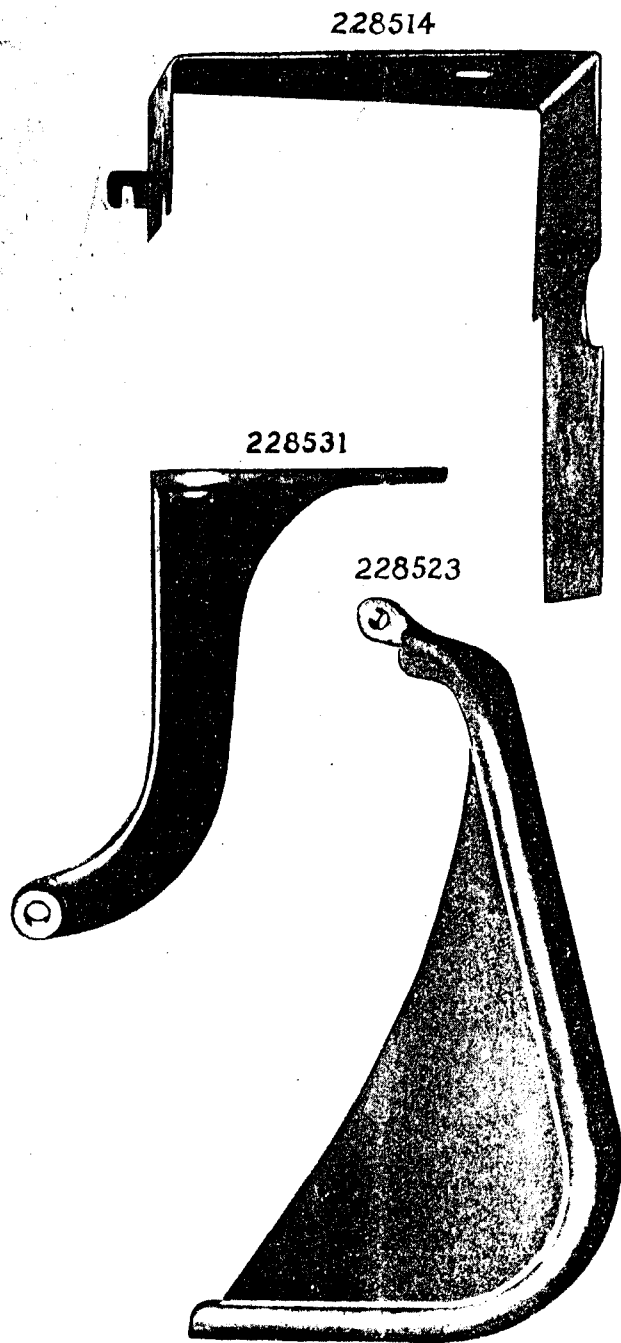


PLATE 13803—ONE-HALF SIZE

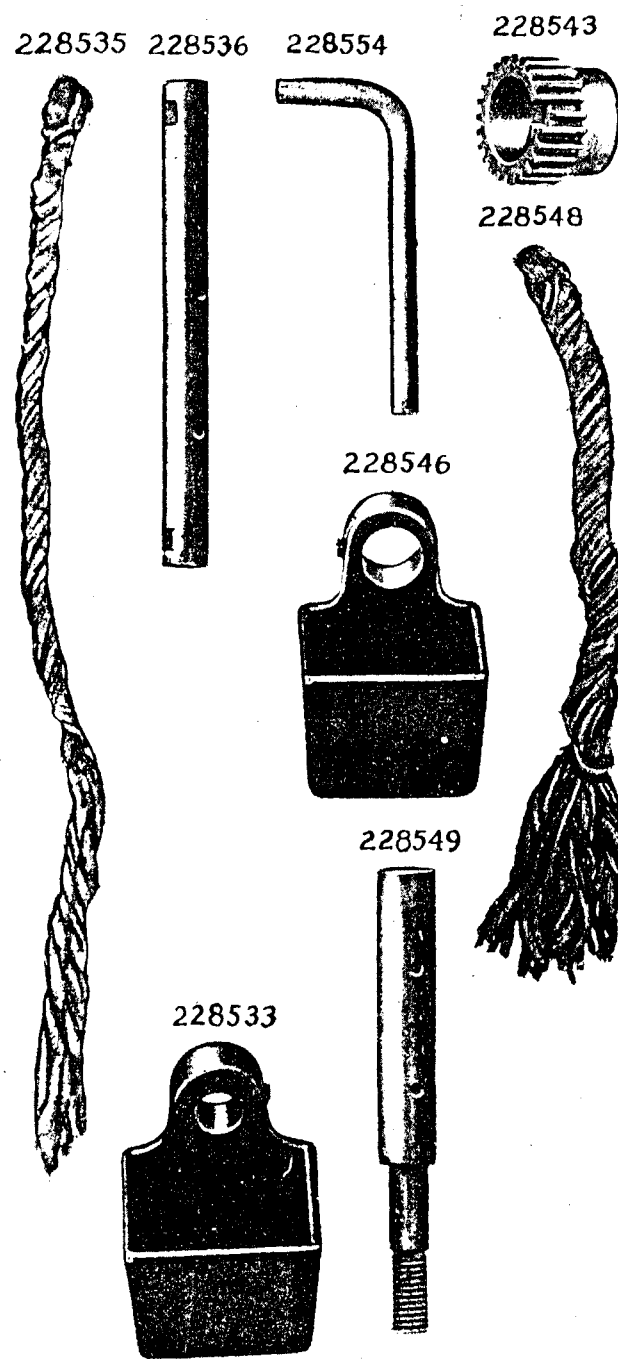
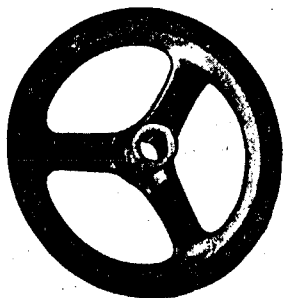
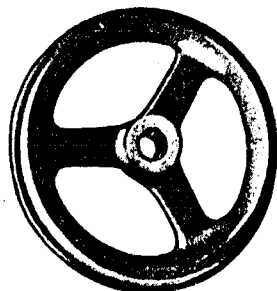


PLATE 13804—ONE-FOURTH SIZE

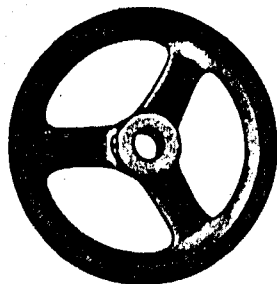
228542



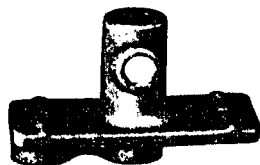
228545



228522



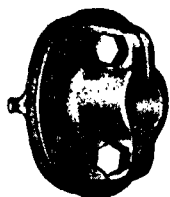
228541



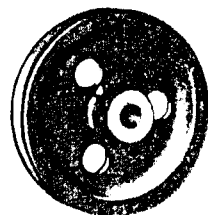
228518



228538



23538



41220

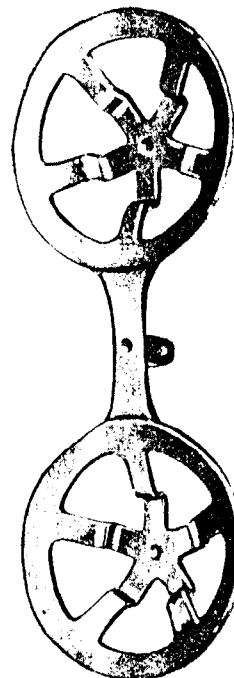


228516

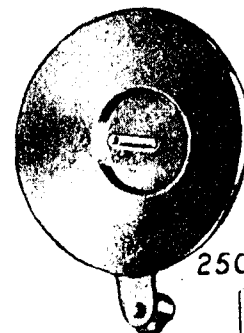


PLATE 13867—ONE-FOURTH SIZE

41530

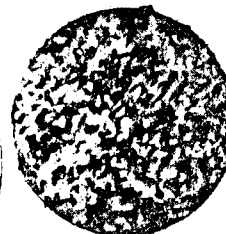


227499



250453

232987

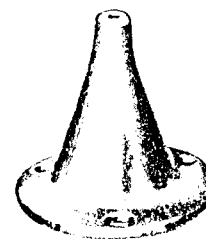


232990



250472

202490



232992



PLATE 13869—ONE-HALF SIZE

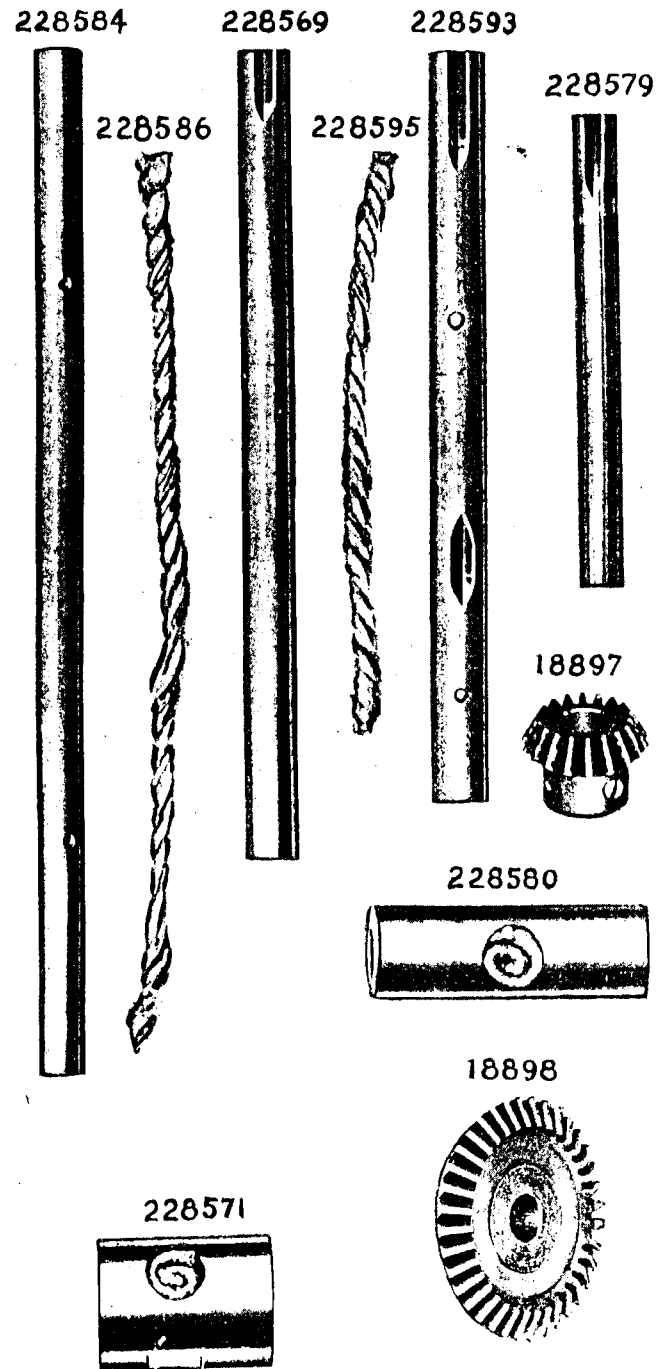


PLATE 13870—ONE-SIXTH SIZE

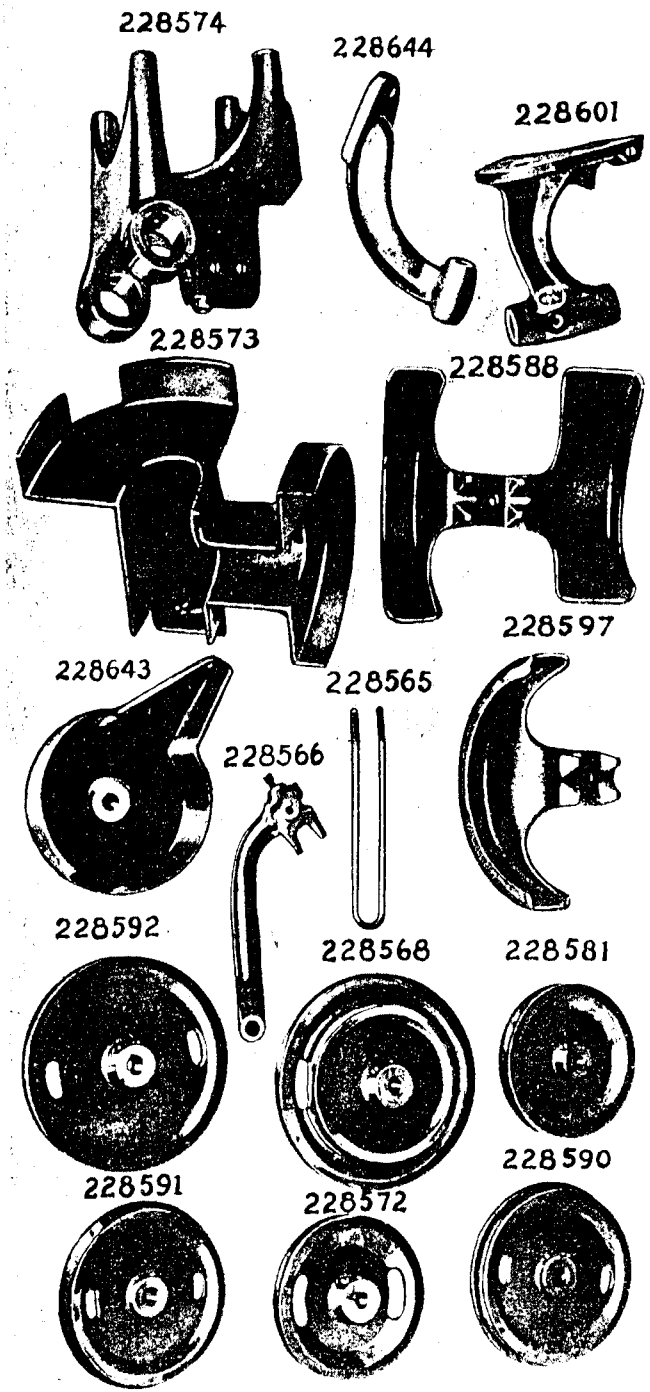


PLATE 13871—FULL SIZE

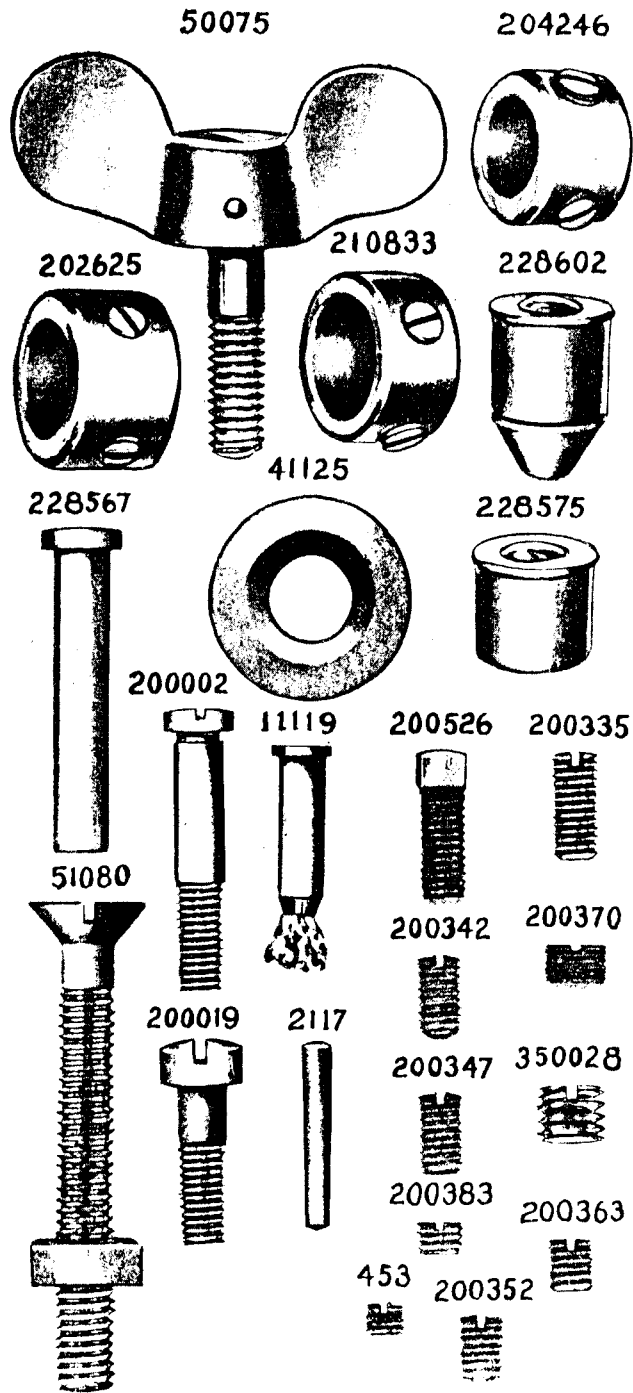


PLATE 13881—FULL SIZE

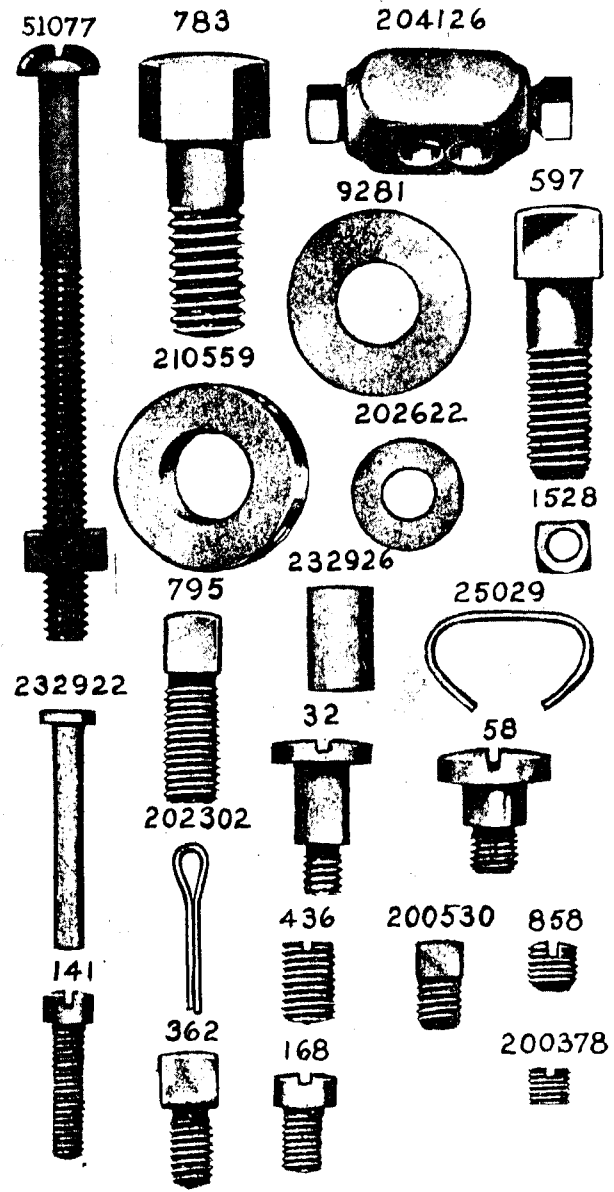


PLATE 13923—FULL SIZE

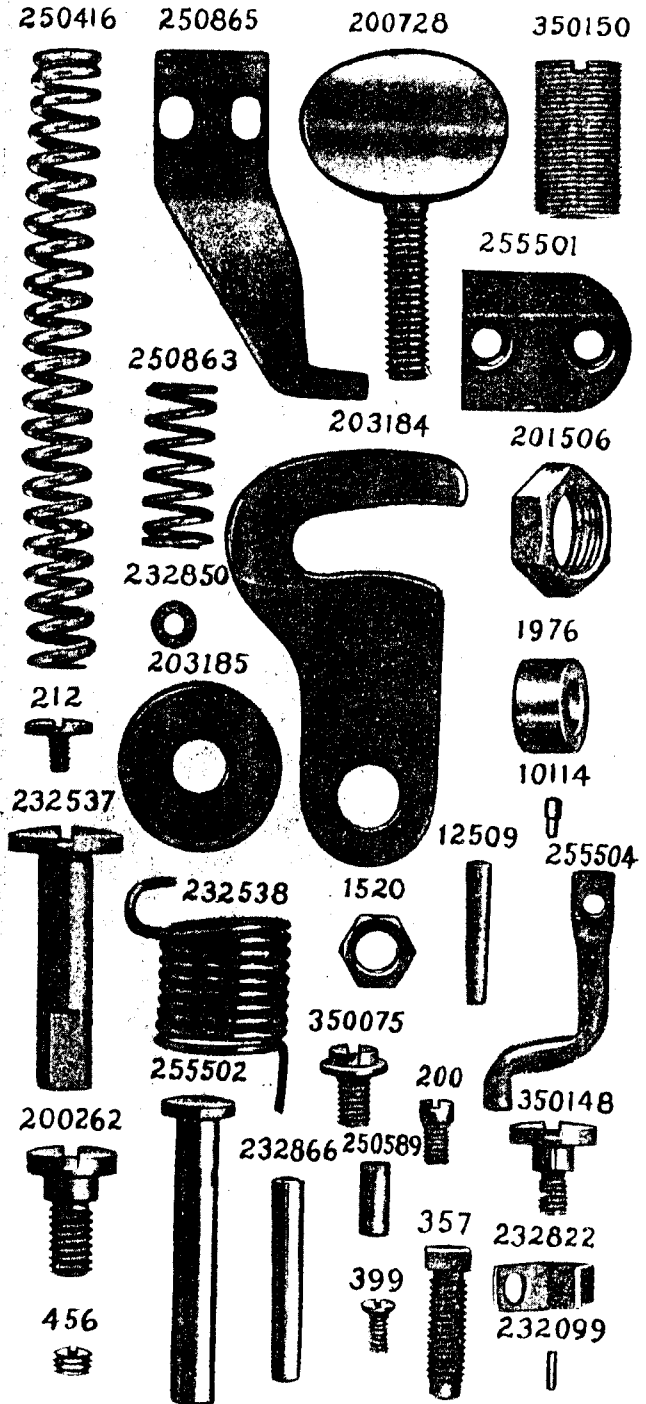


PLATE 13925—FULL SIZE

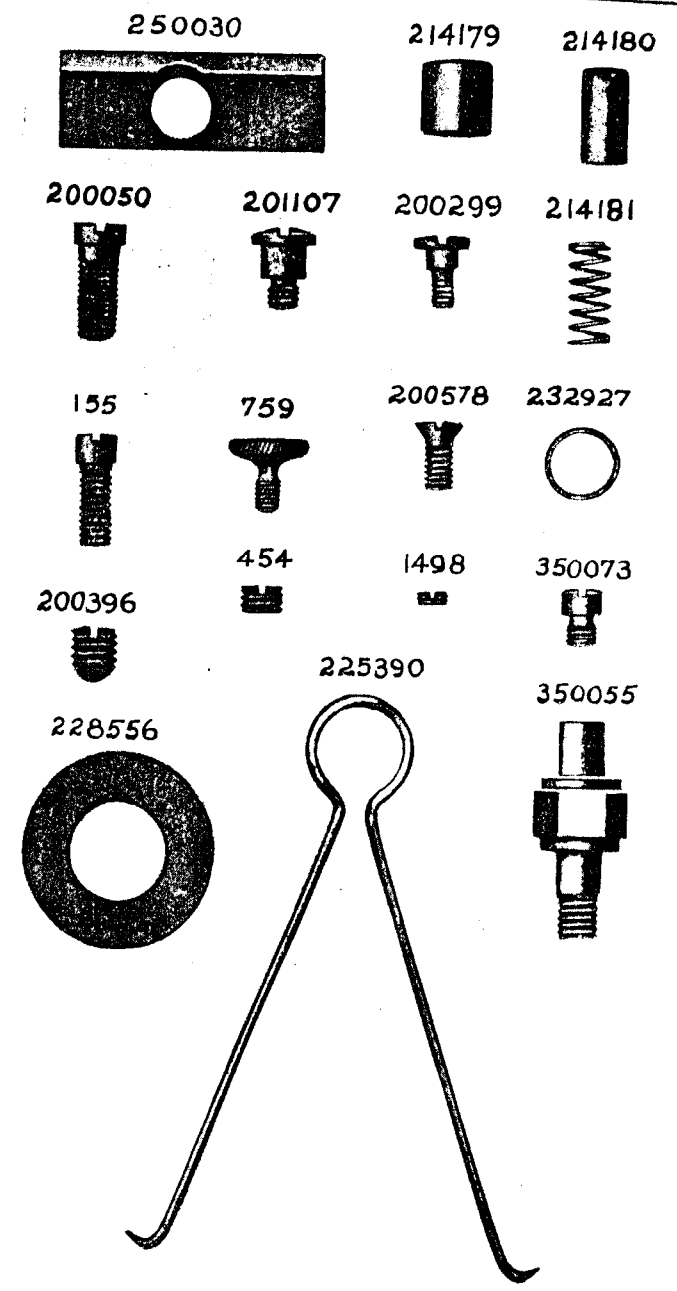


PLATE 13926—ONE-FOURTH SIZE

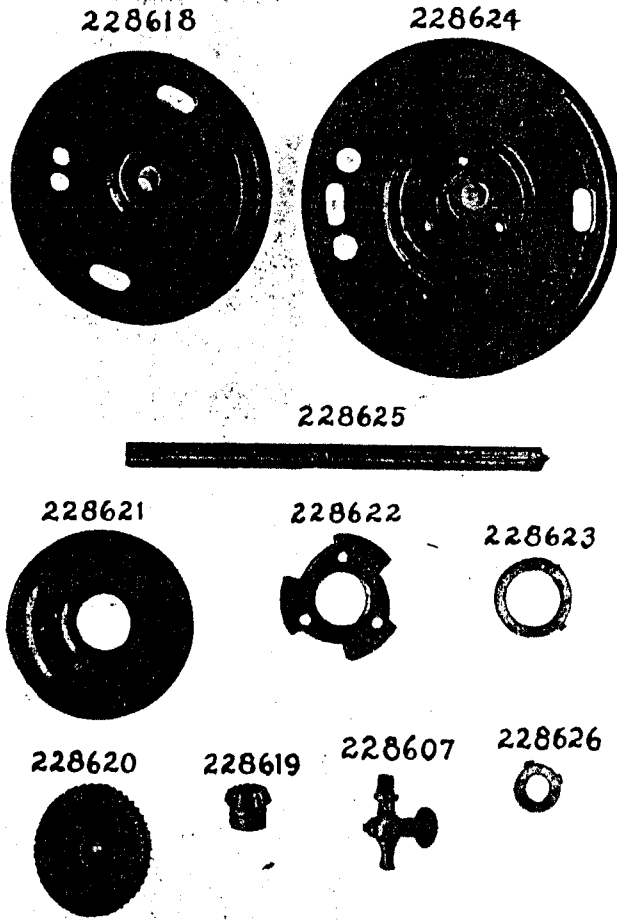


PLATE 16414—FULL SIZE

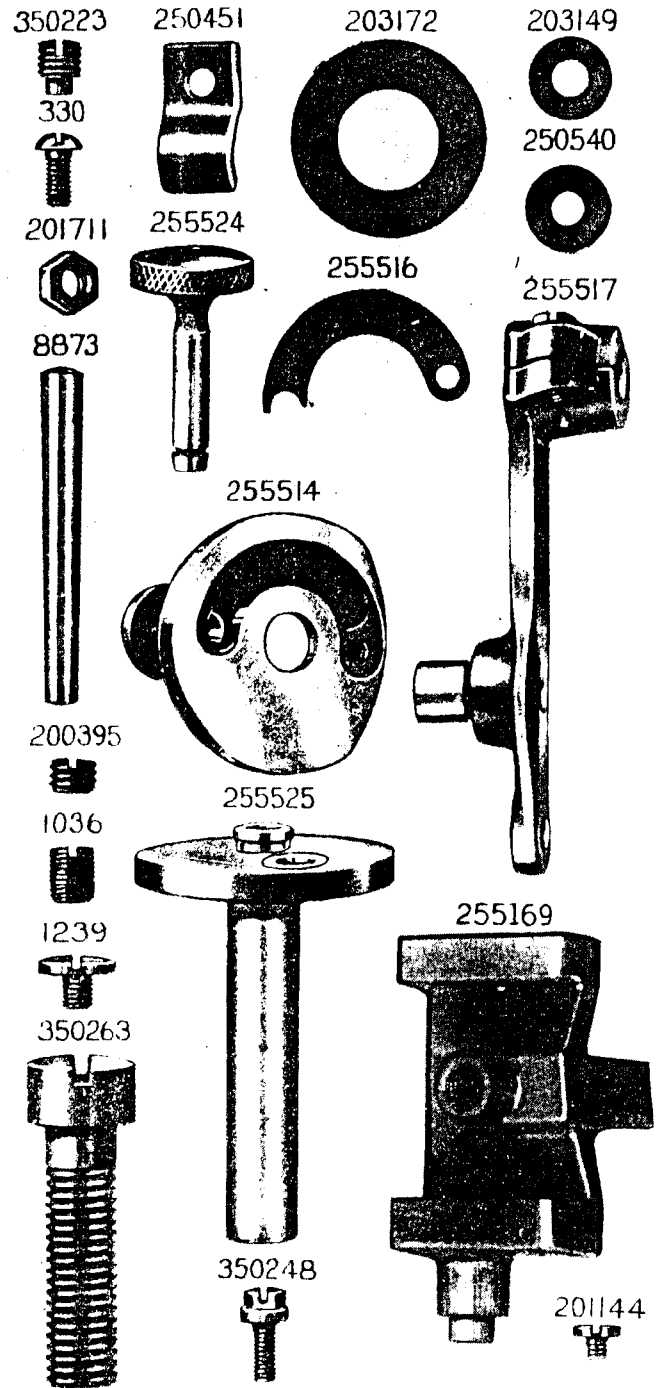


PLATE 15415—FULL SIZE

350192



255509



255510



255511



255512



225393



201696



51046



250597



201018



200159



200164

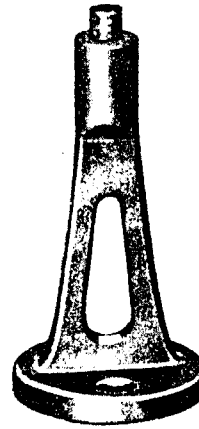


200082

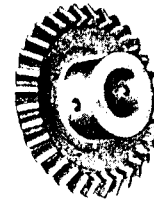


PLATE 15416—ONE-HALF SIZE

232981



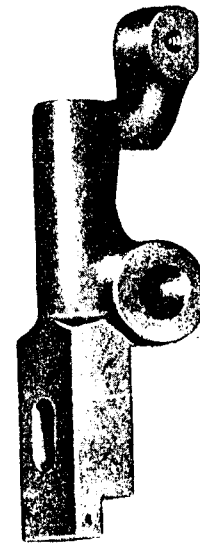
255521



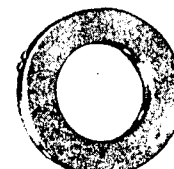
255527



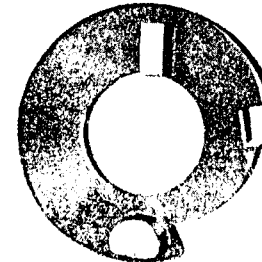
251026



251025



255507



228632



255522



PLATE 15444 - FULL SIZE

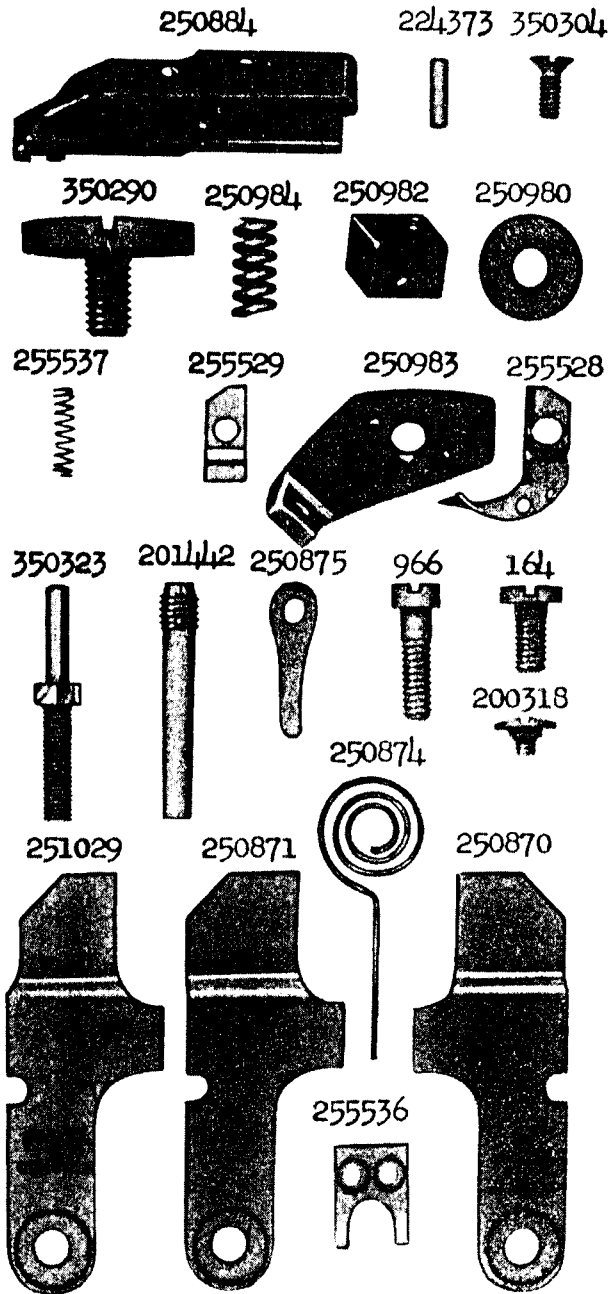


PLATE 15445 - ONE-HALF SIZE

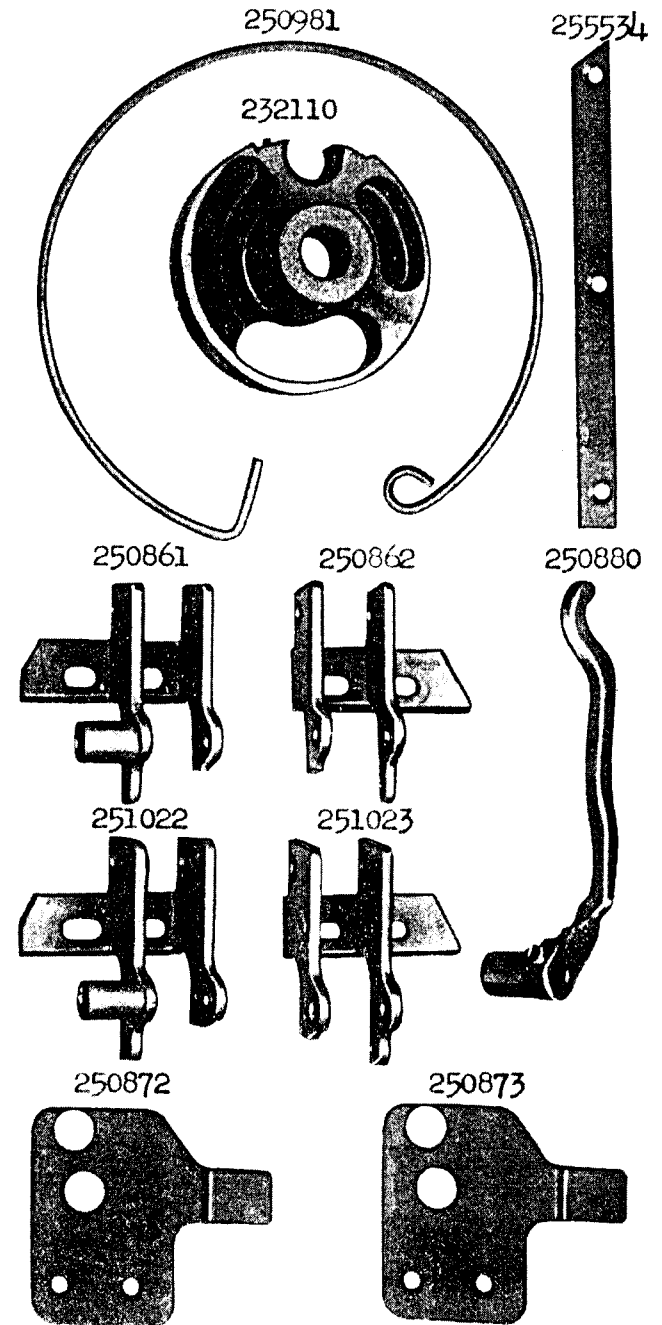


PLATE 15446 - FULL SIZE

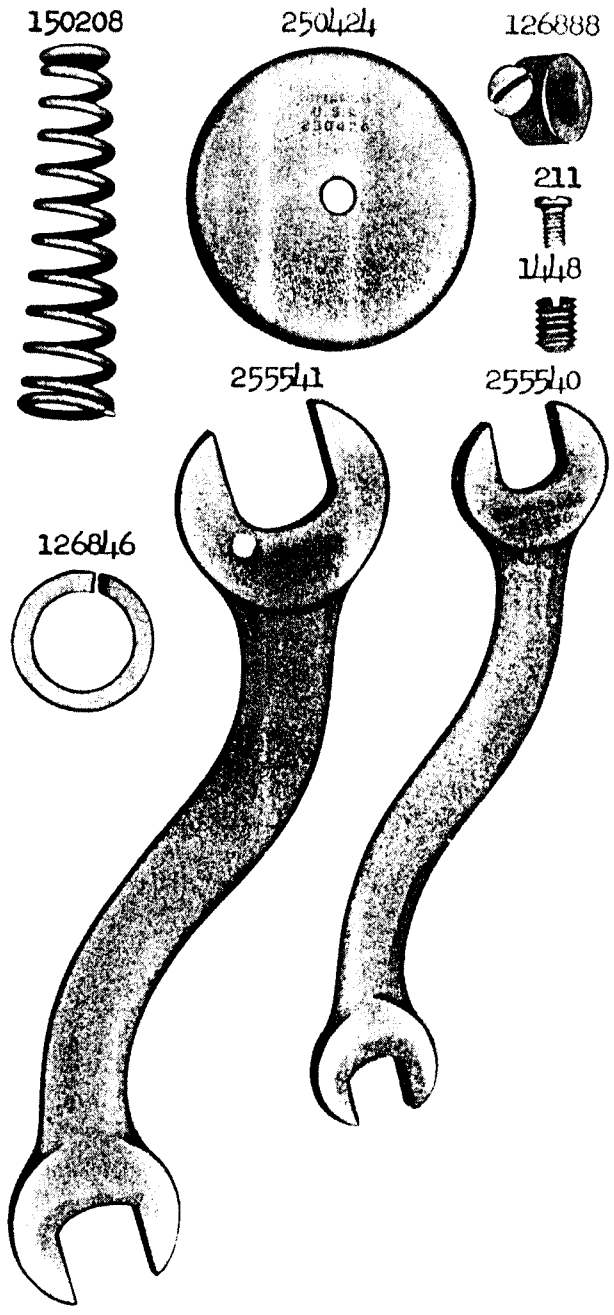


PLATE 15447 - ONE-FOURTH SIZE

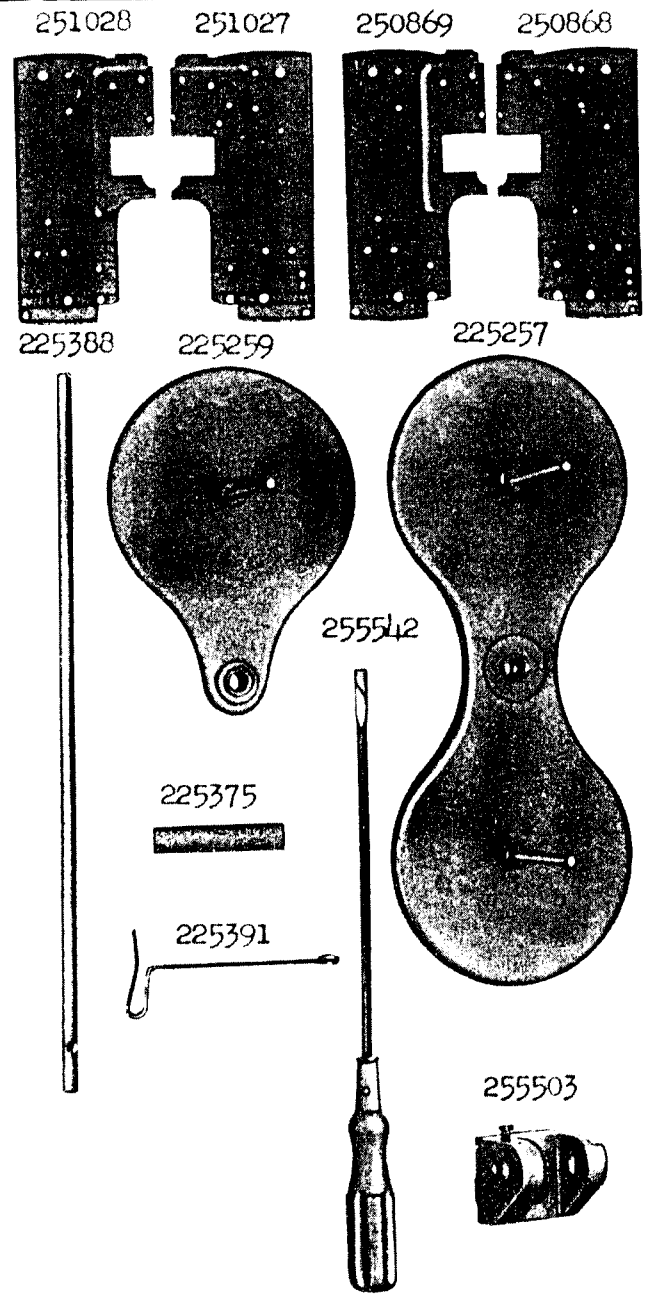


PLATE 15448 - ONE-FOURTH SIZE

50285 126841 126752 150183 126868

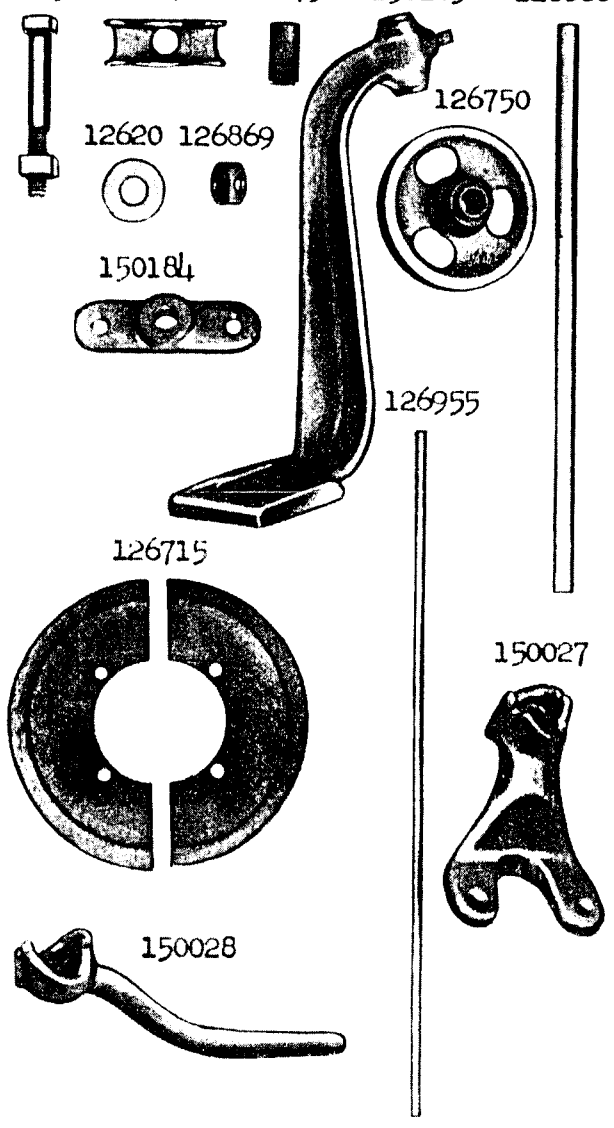


PLATE 13723 - FULL SIZE

201115 201666 232593 232592

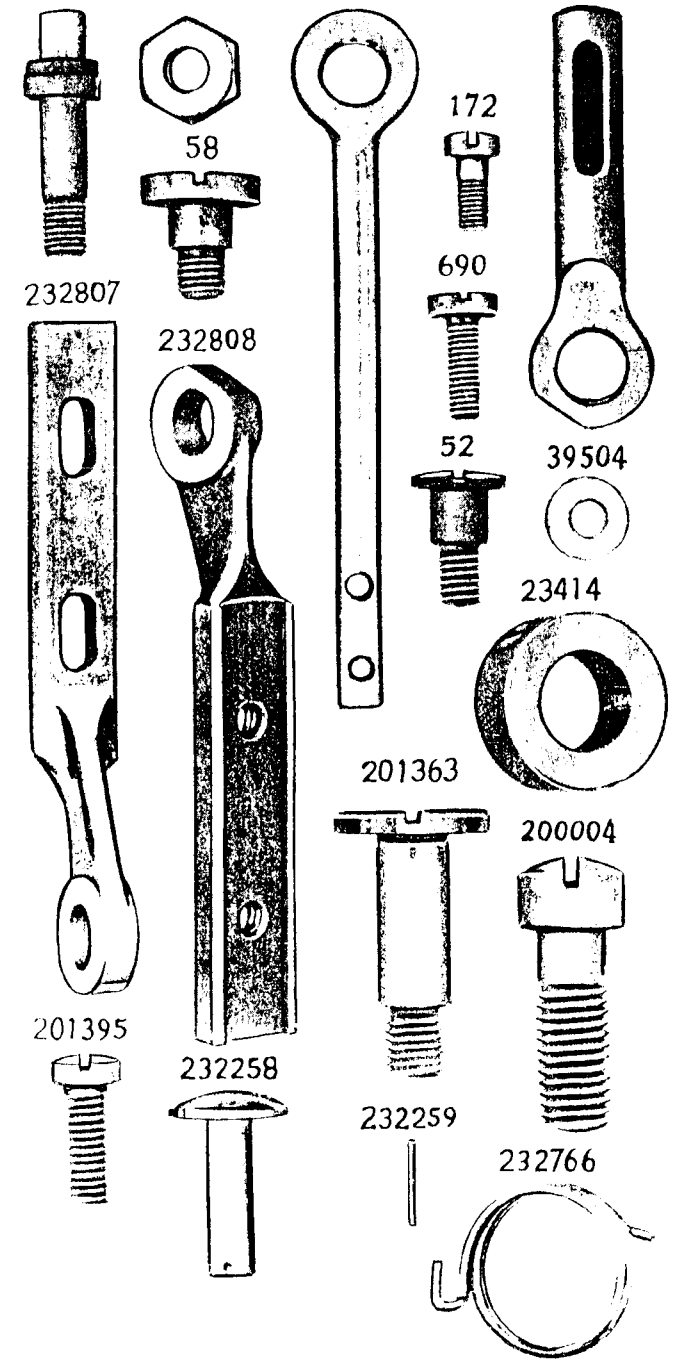


PLATE 13724 - ONE-HALF SIZE

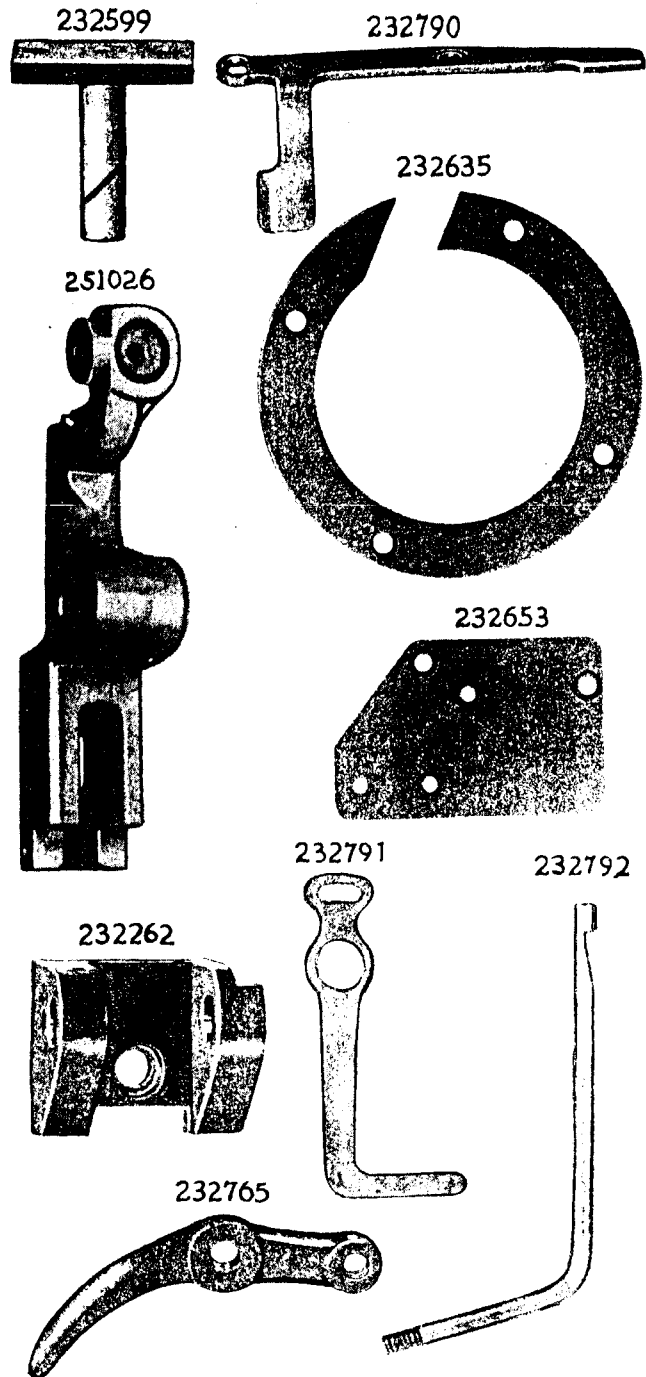


PLATE 13725 - FULL SIZE

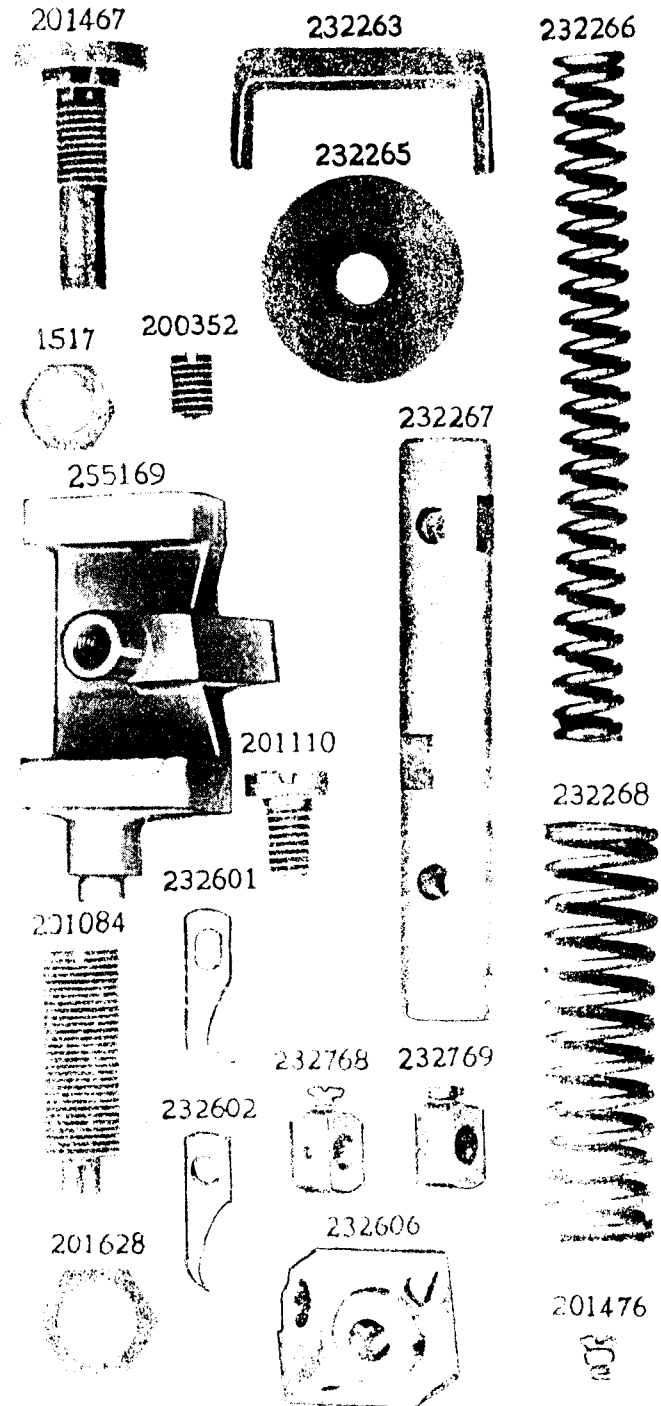


PLATE 13726—FULL SIZE

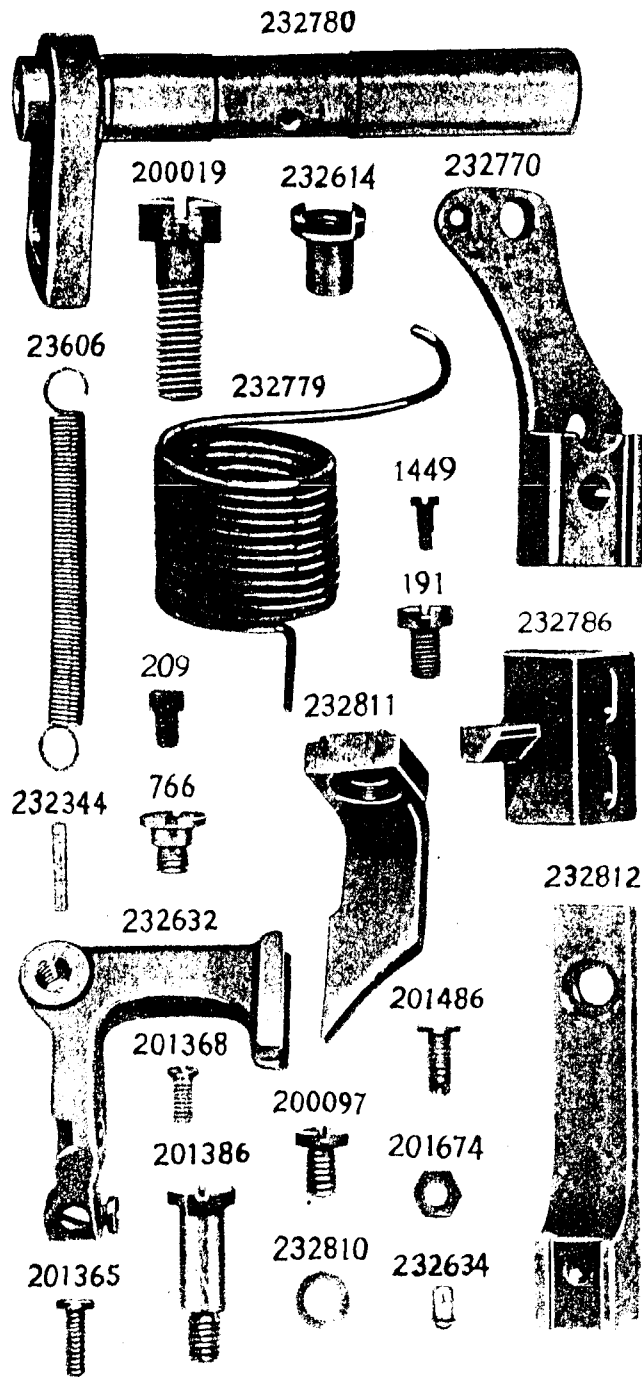


PLATE 13727—FULL SIZE

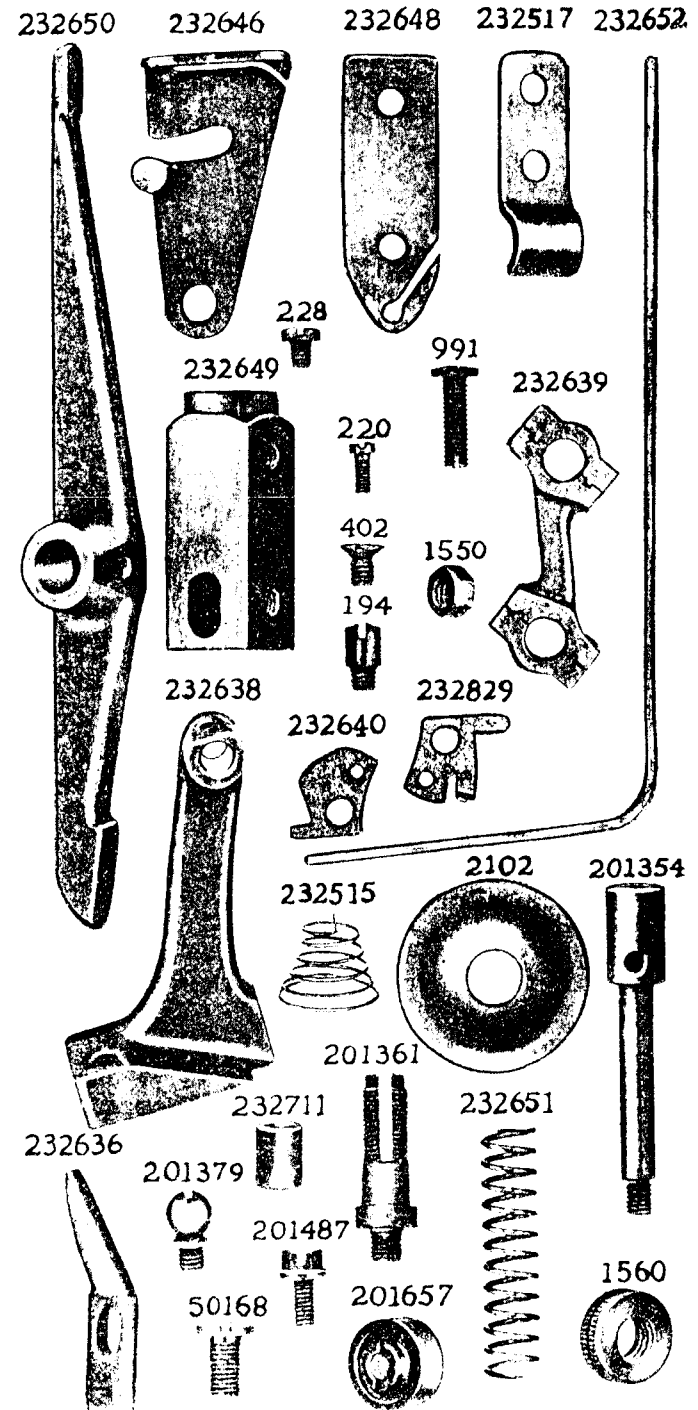


PLATE 13728—FULL SIZE

232270

232655

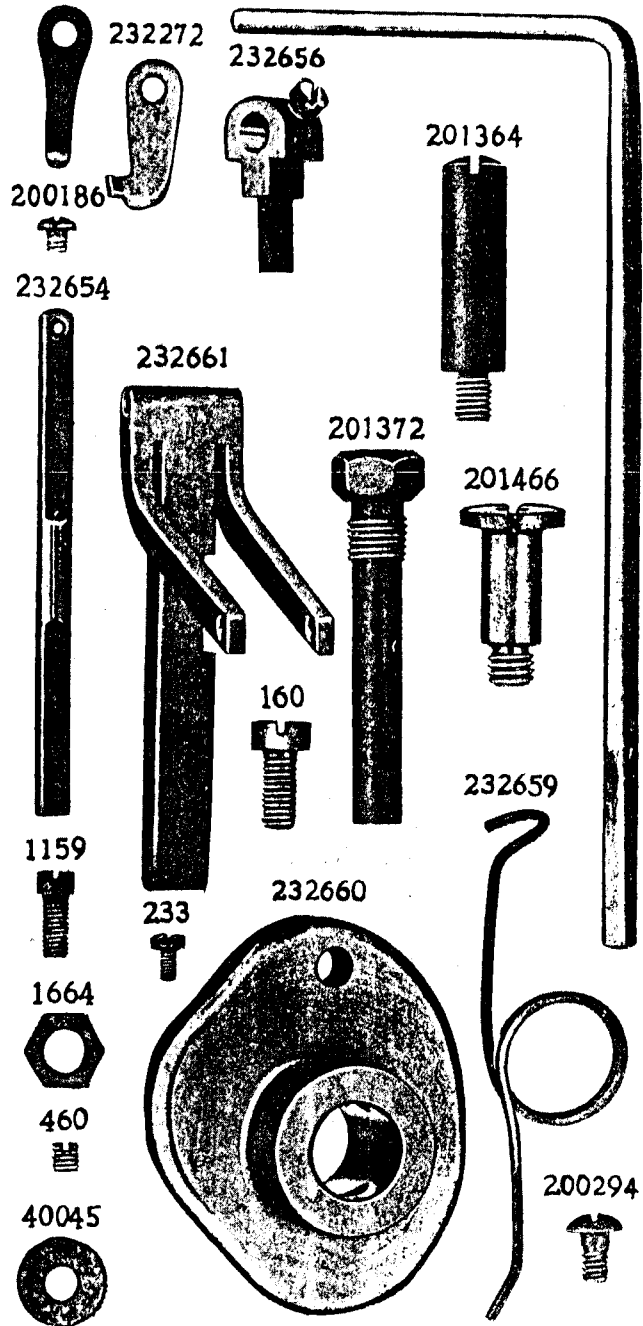


PLATE 13729—FULL SIZE

232795

232665

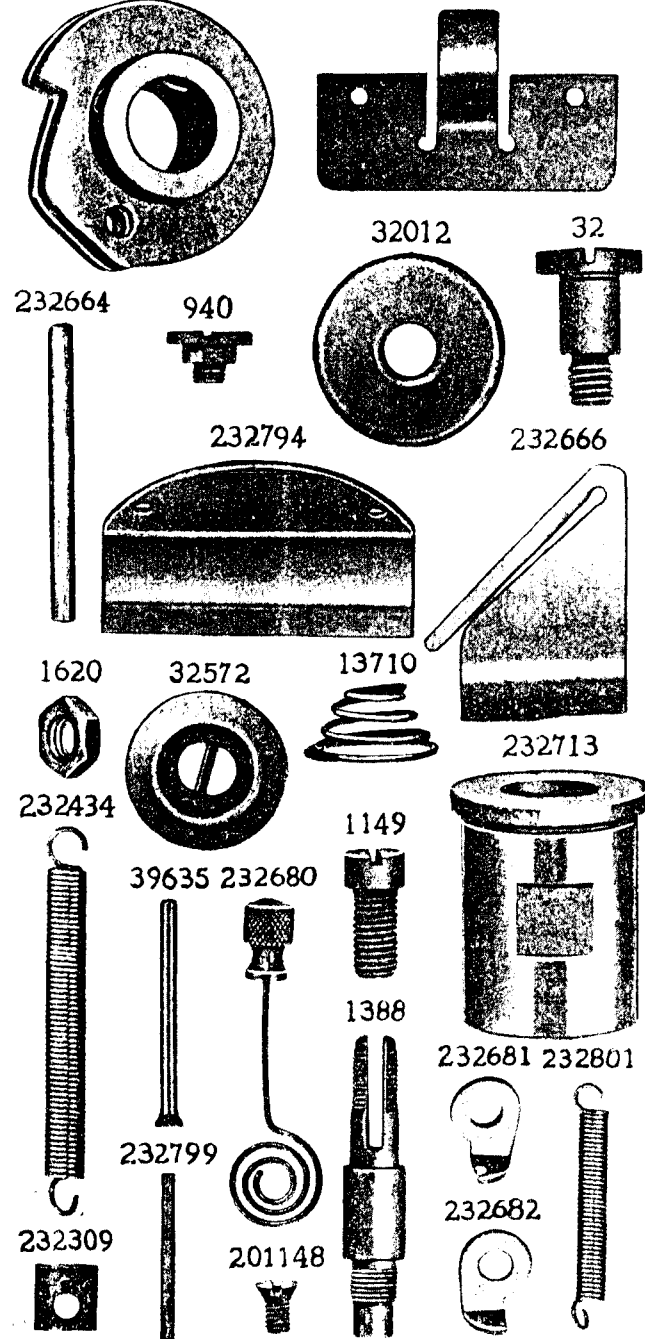


PLATE 13730-FULL SIZE

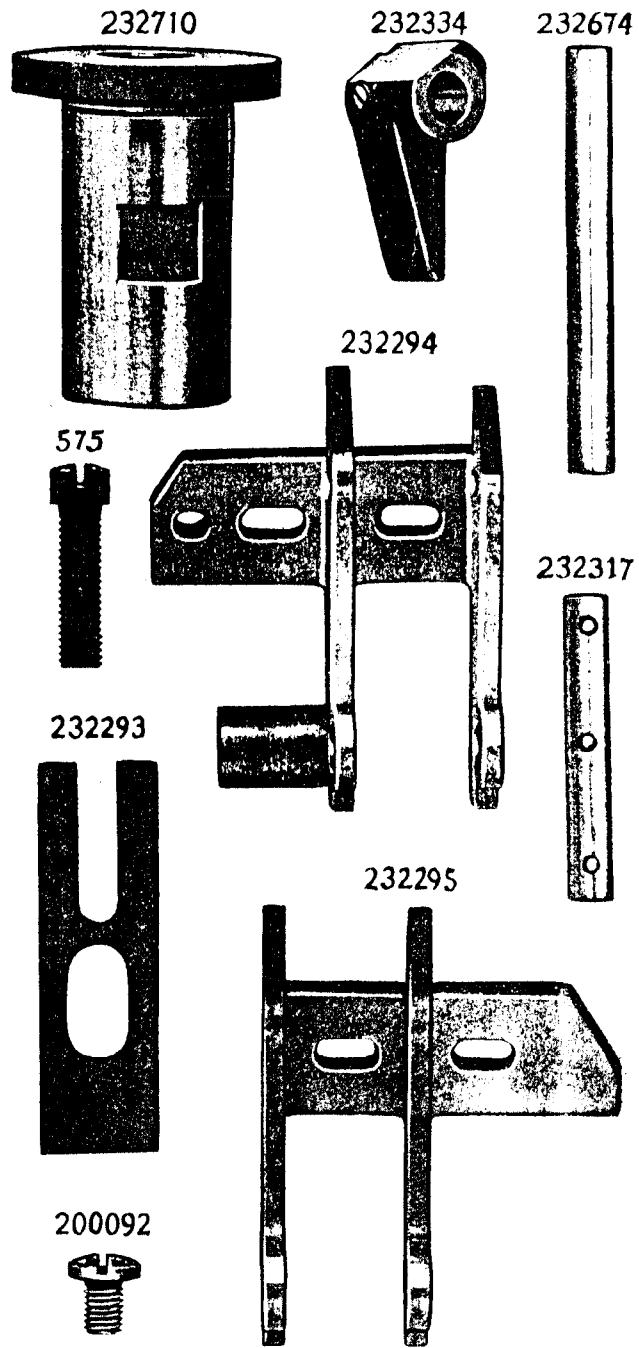


PLATE 13731-FULL SIZE

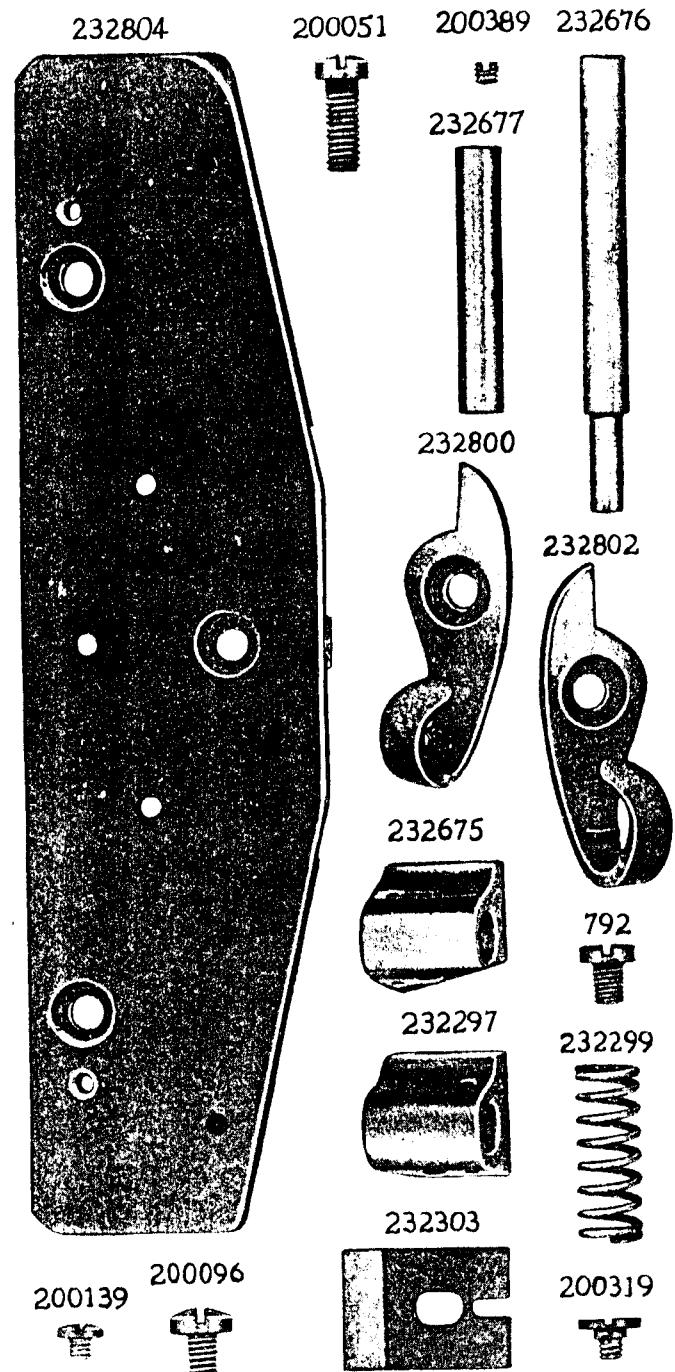


PLATE 13732—FULL SIZE

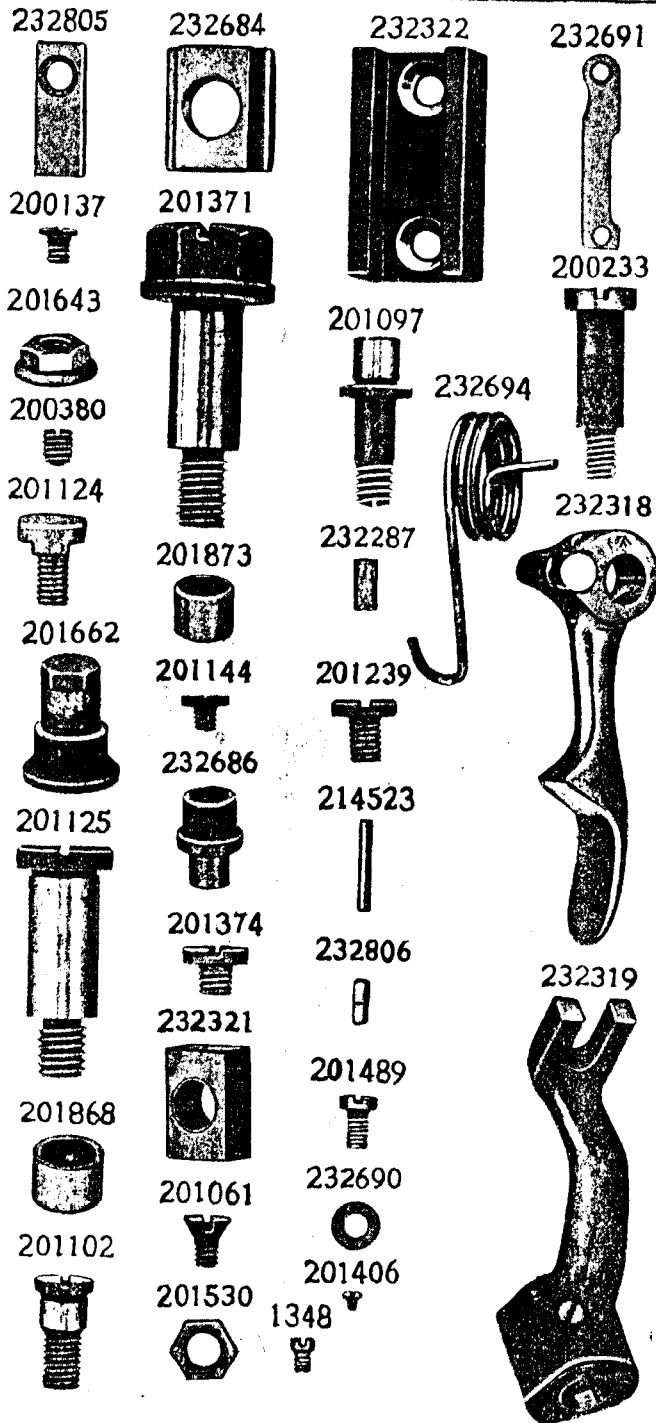


PLATE 13735 FULL SIZE

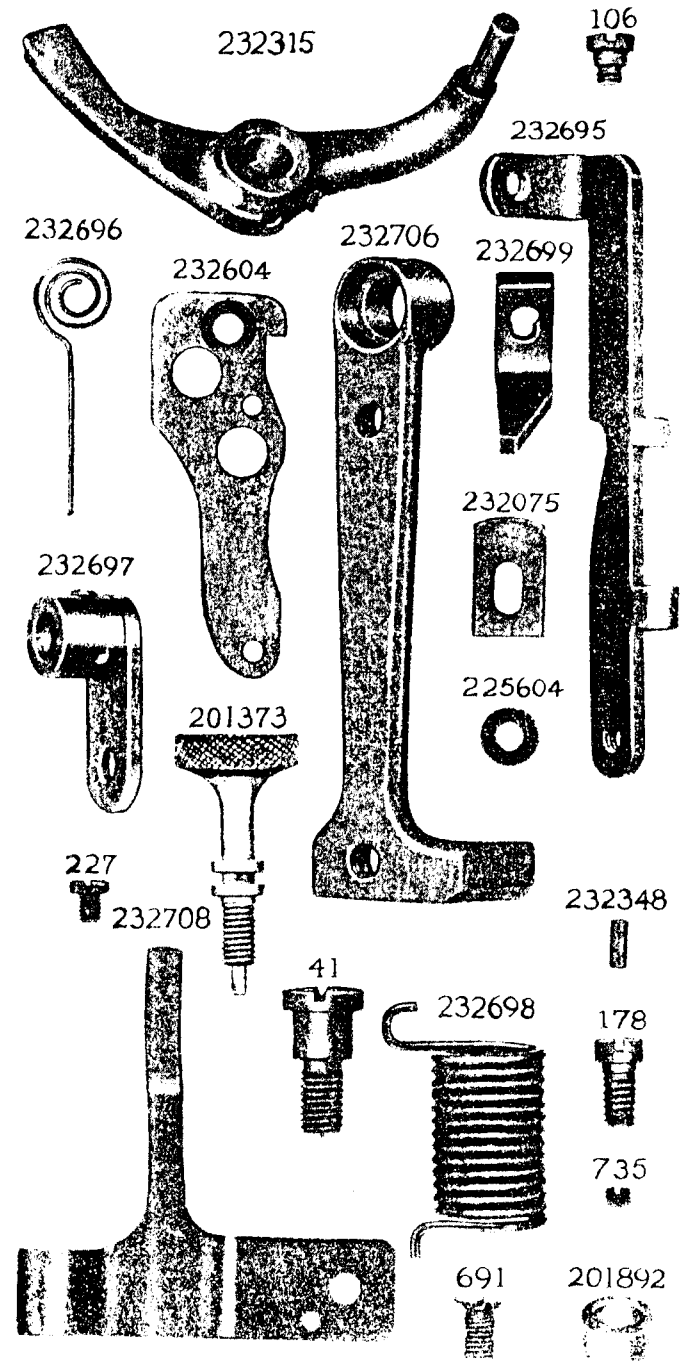
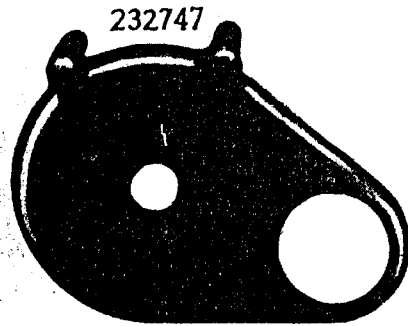
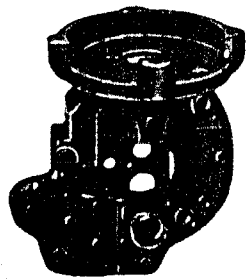
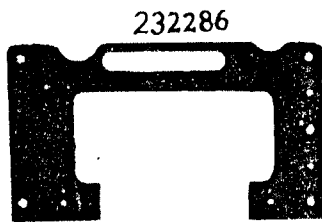
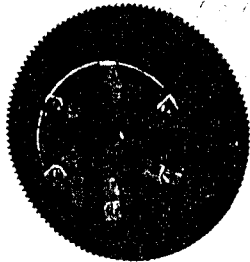


PLATE 13740—ONE-FOURTH SIZE

232554 232737 232738 232516



232745



232284

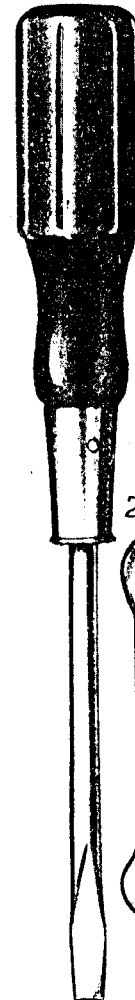


232285



PLATE 13741—ONE-HALF SIZE

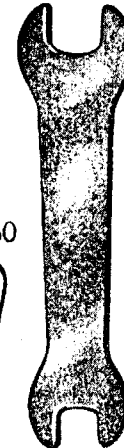
11831 225498 250522 232900



25200



8909



255513



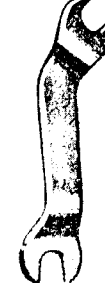
42850



232935



23535



10875



232932



232819



PLATE 13743—ONE-FOURTH SIZE

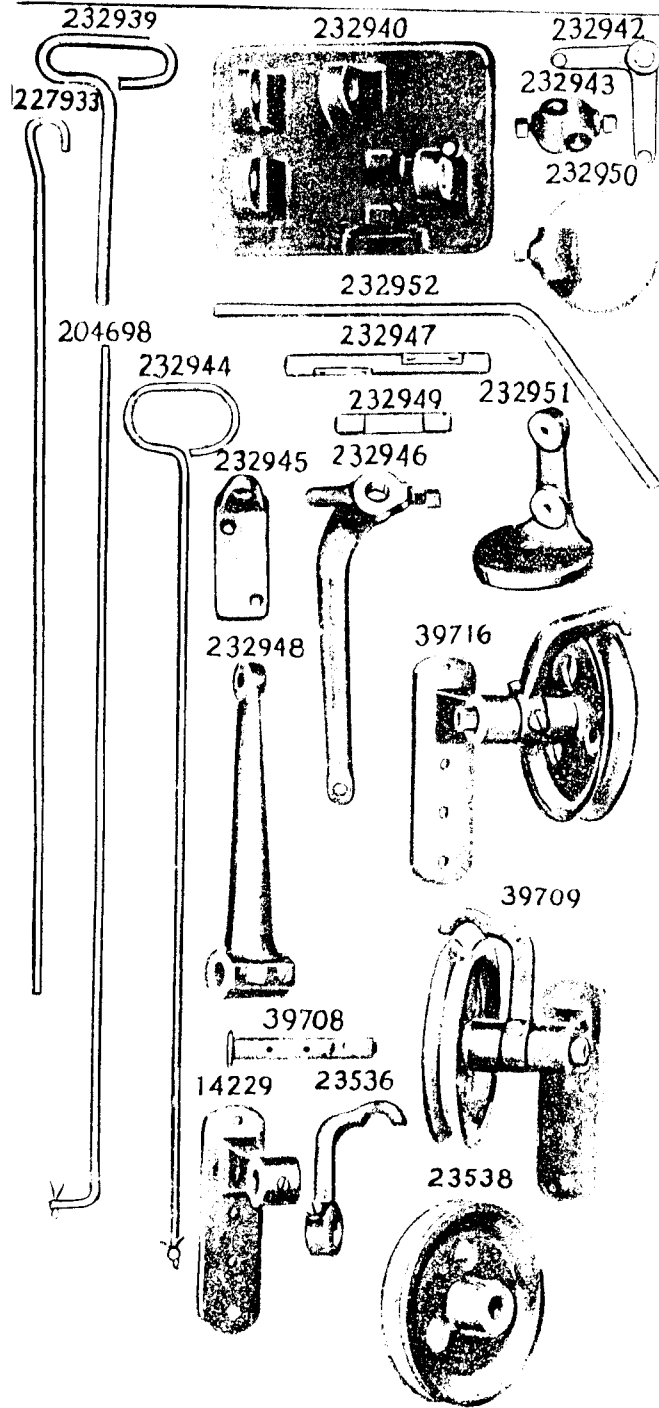


PLATE 13744—ONE-FOURTH SIZE

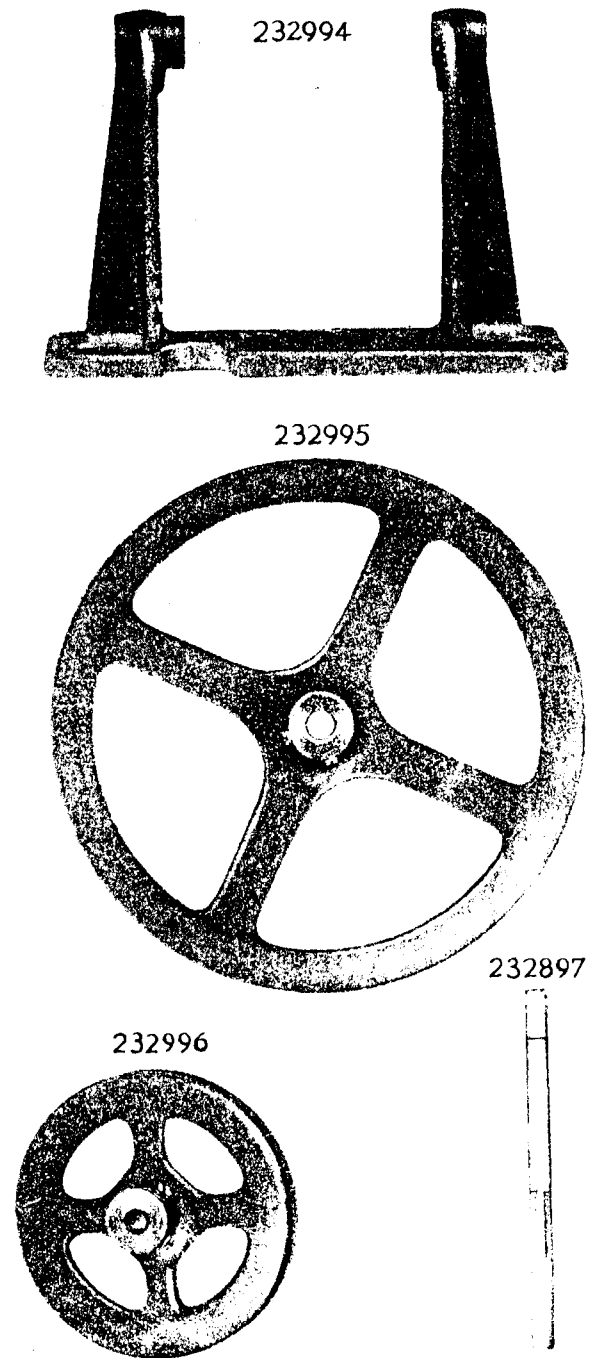


PLATE 13789--FULL SIZE

205 250858 250857 232509 232050

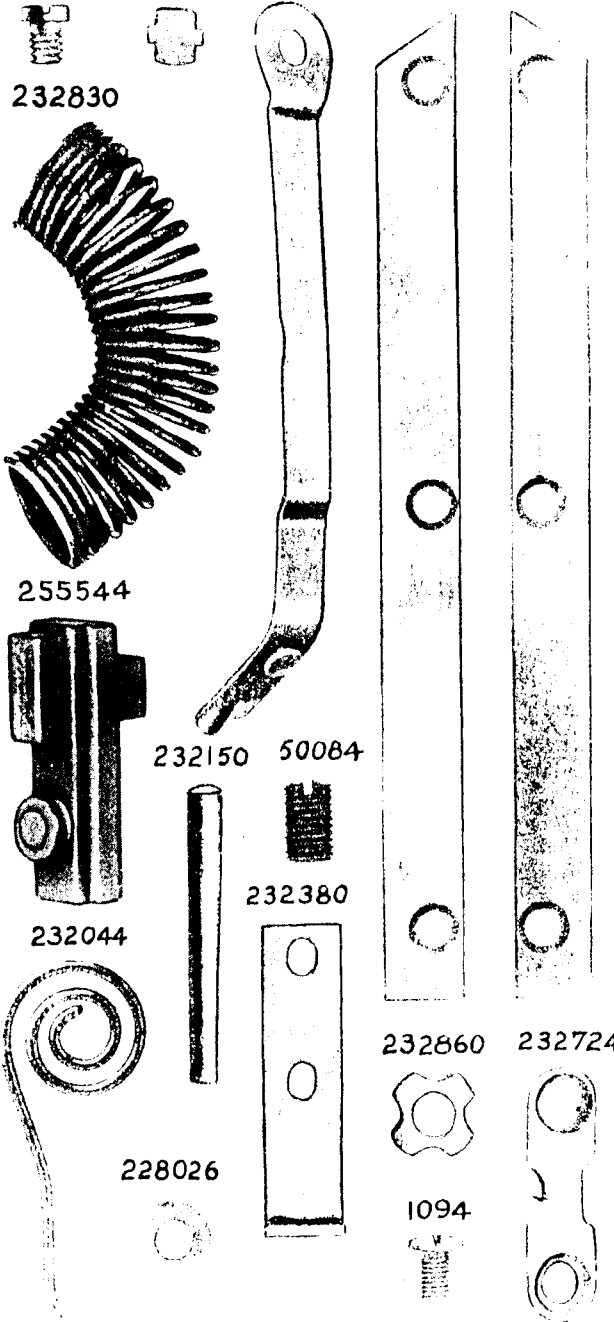


PLATE 13733--ONE-HALF SIZE

232657 232667 232658

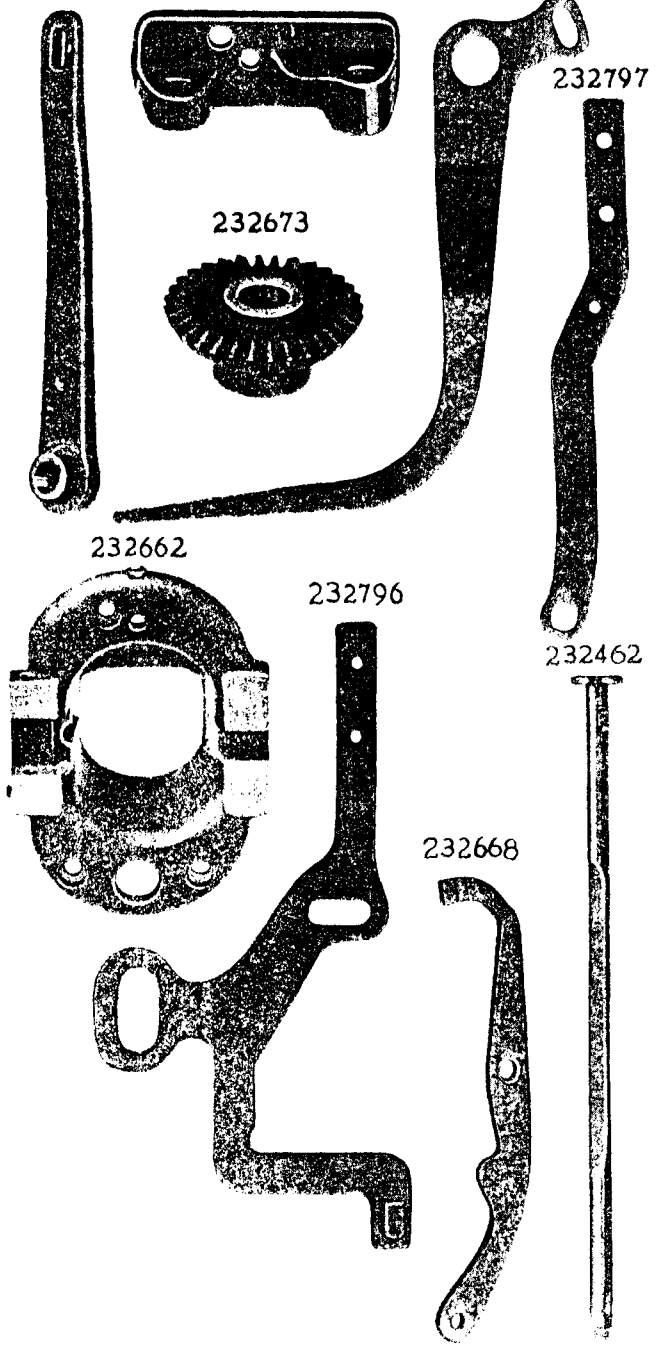


PLATE 13734—ONE-HALF SIZE

232261



232773



232685



232283



232616

