

Singer 147-80

Form 19697

(241)

Printed in U. S. A.

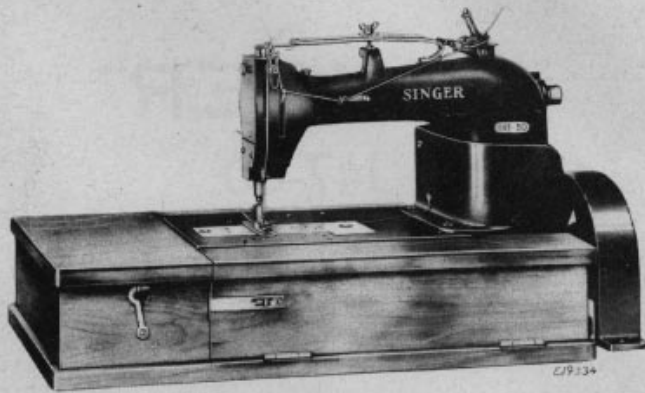
SINGER**

147-80



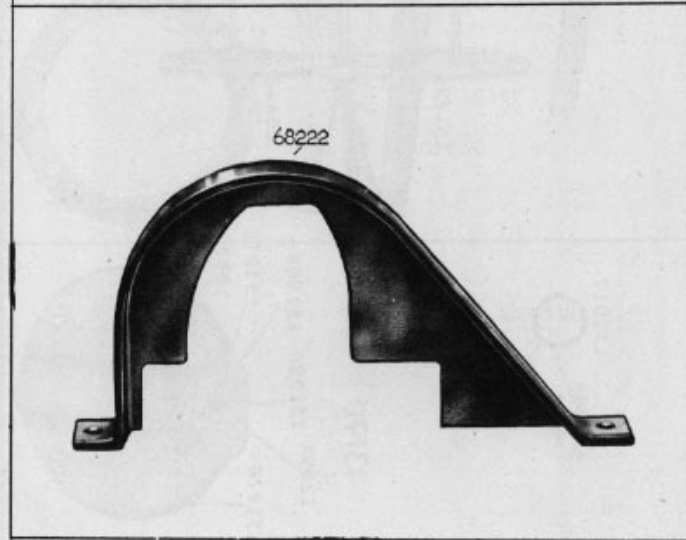
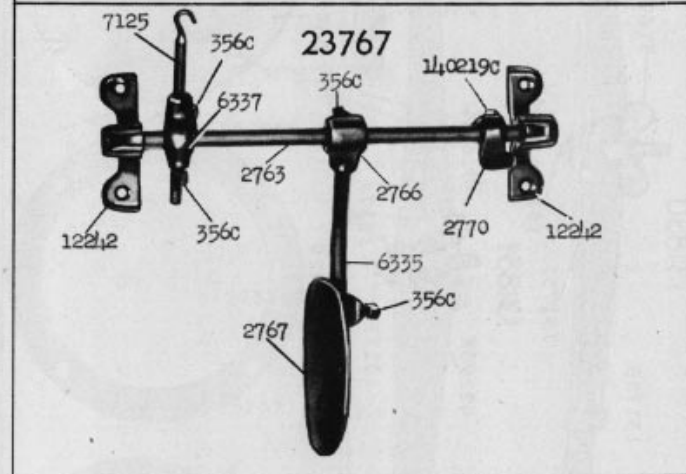
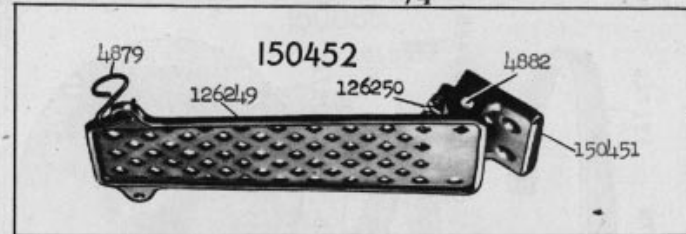
** REG. U. S. PAT. OFF. BY

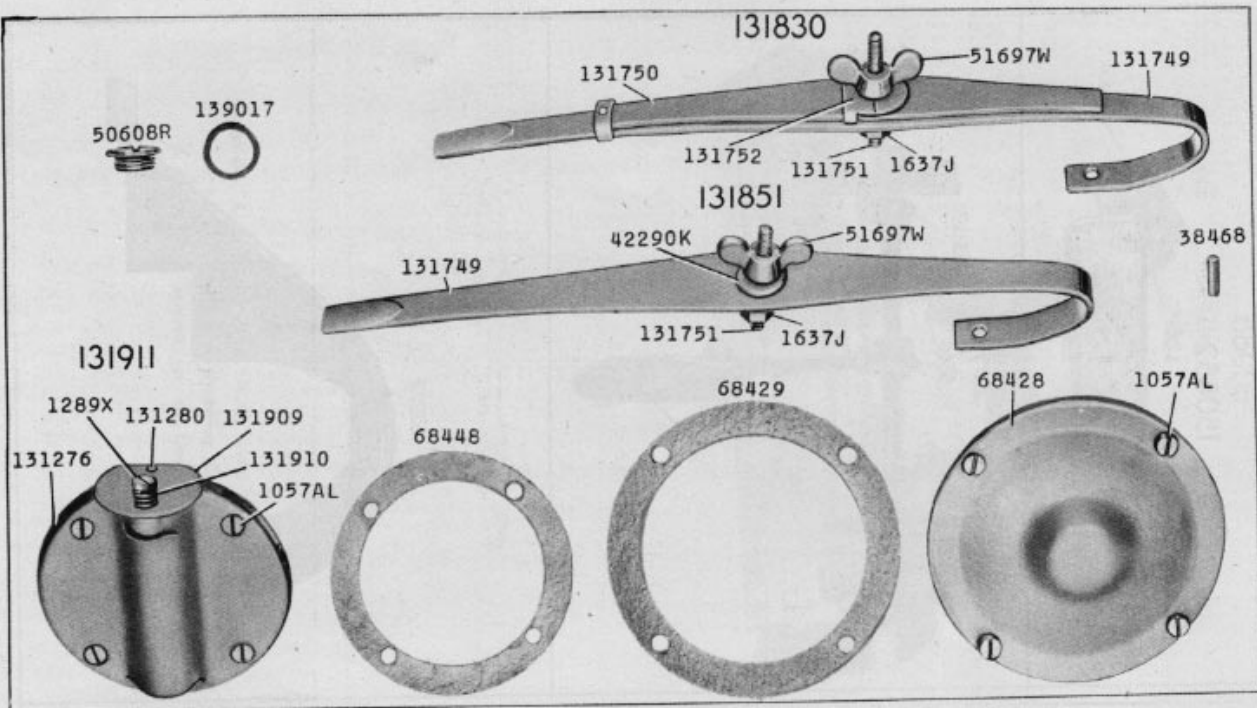
THE SINGER MANUFACTURING COMPANY



Copyright, U. S. A., 1936, 1938, 1940 and 1941
 by The Singer Manufacturing Co.
 All Rights Reserved for all Countries

20633 - 1/4

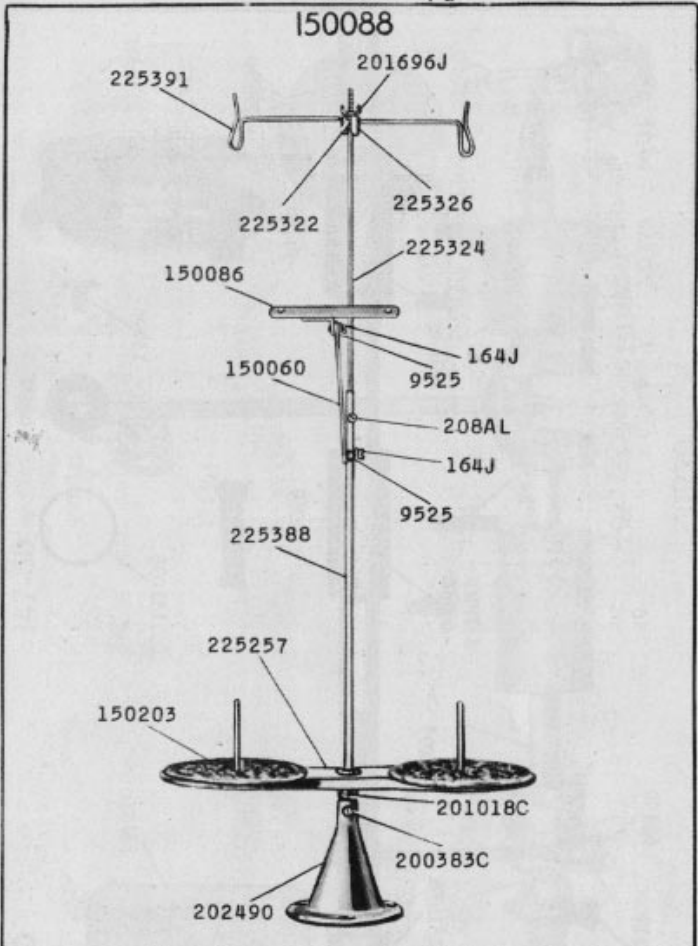




20688 - 1/2

20692 - 1/6

150088



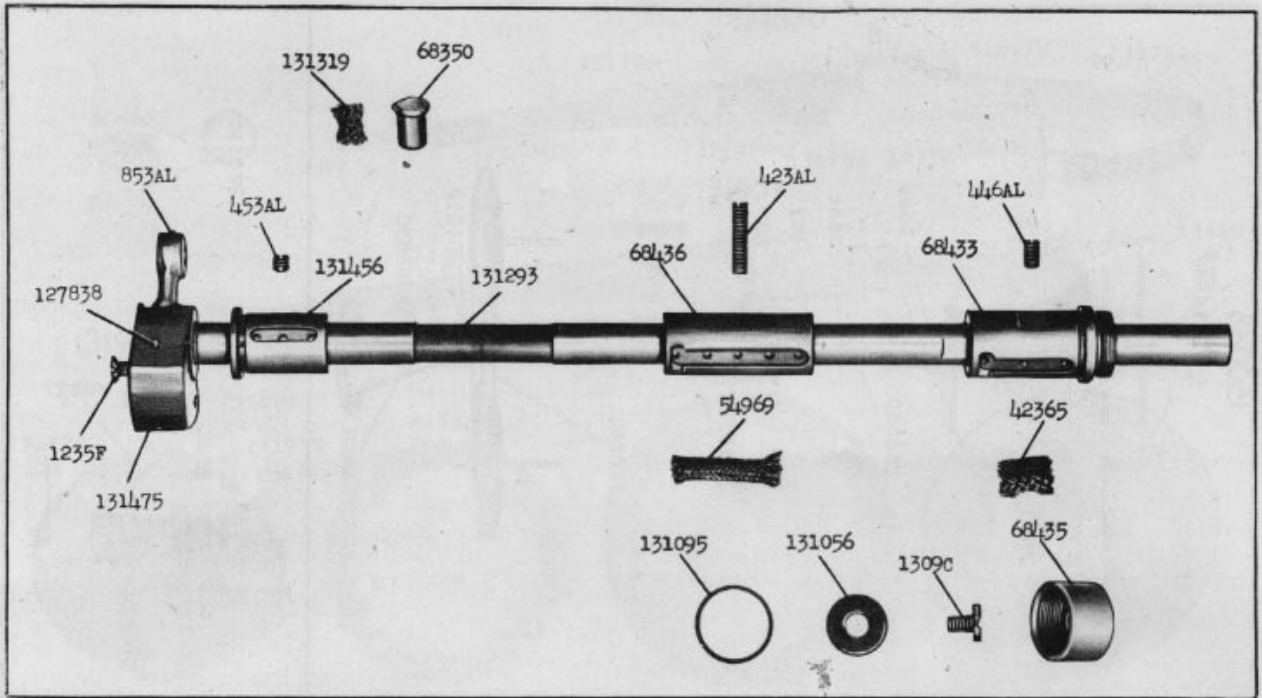
- 225391
- 201696J
- 225322
- 225326
- 225324
- 150086
- 150060
- 164J
- 9525
- 208AL
- 164J
- 9525
- 225388
- 225257
- 150203
- 201018C
- 200383C
- 202490

27739

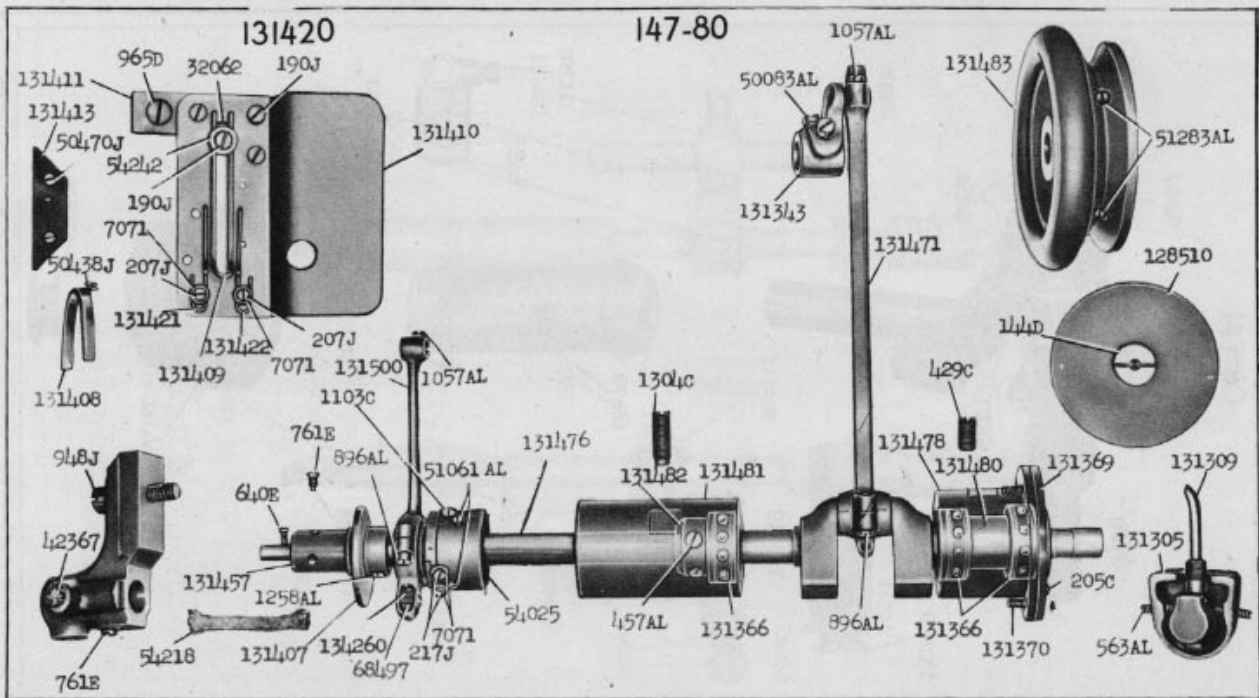


225390





20695 - 1/2



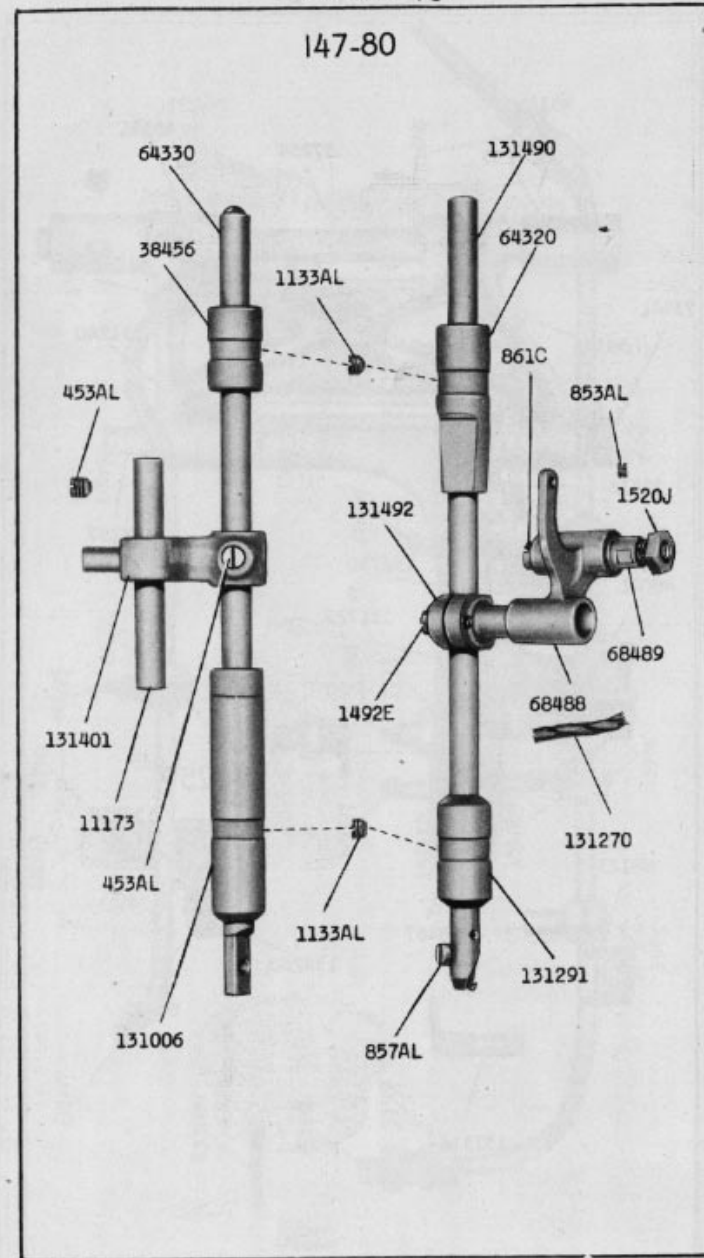
20696 - 1/3

20698 - 2/3

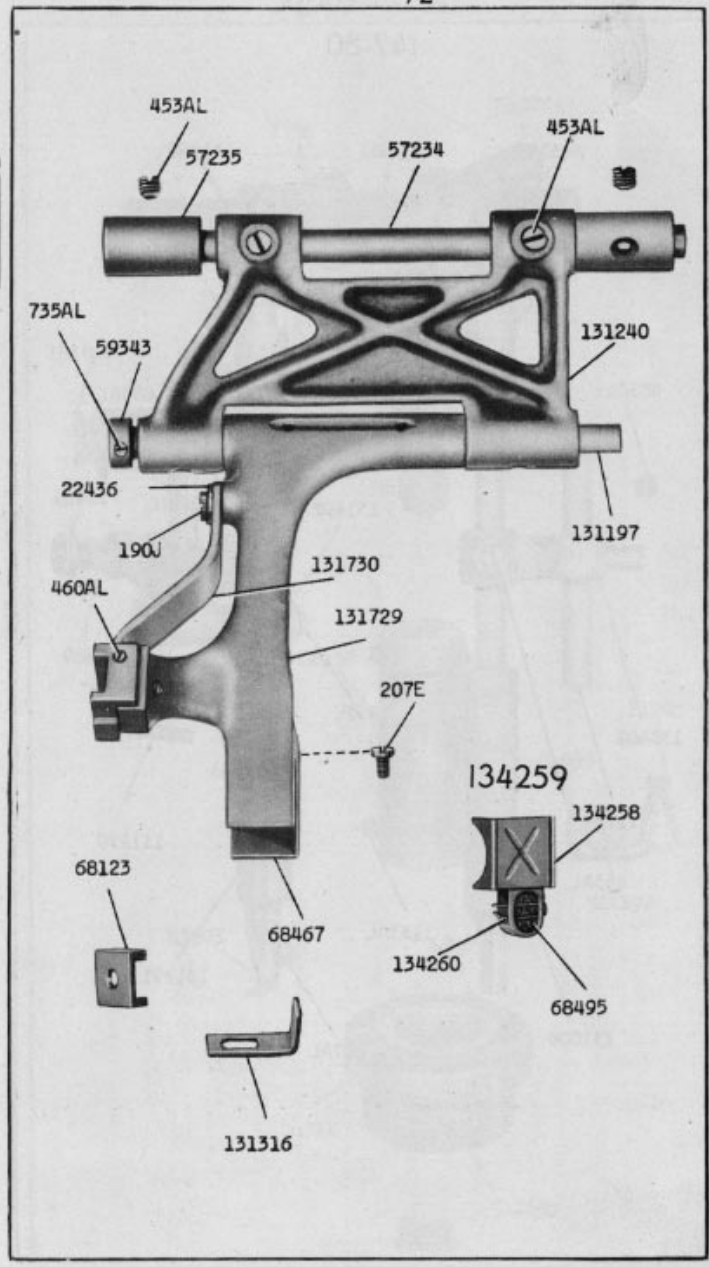


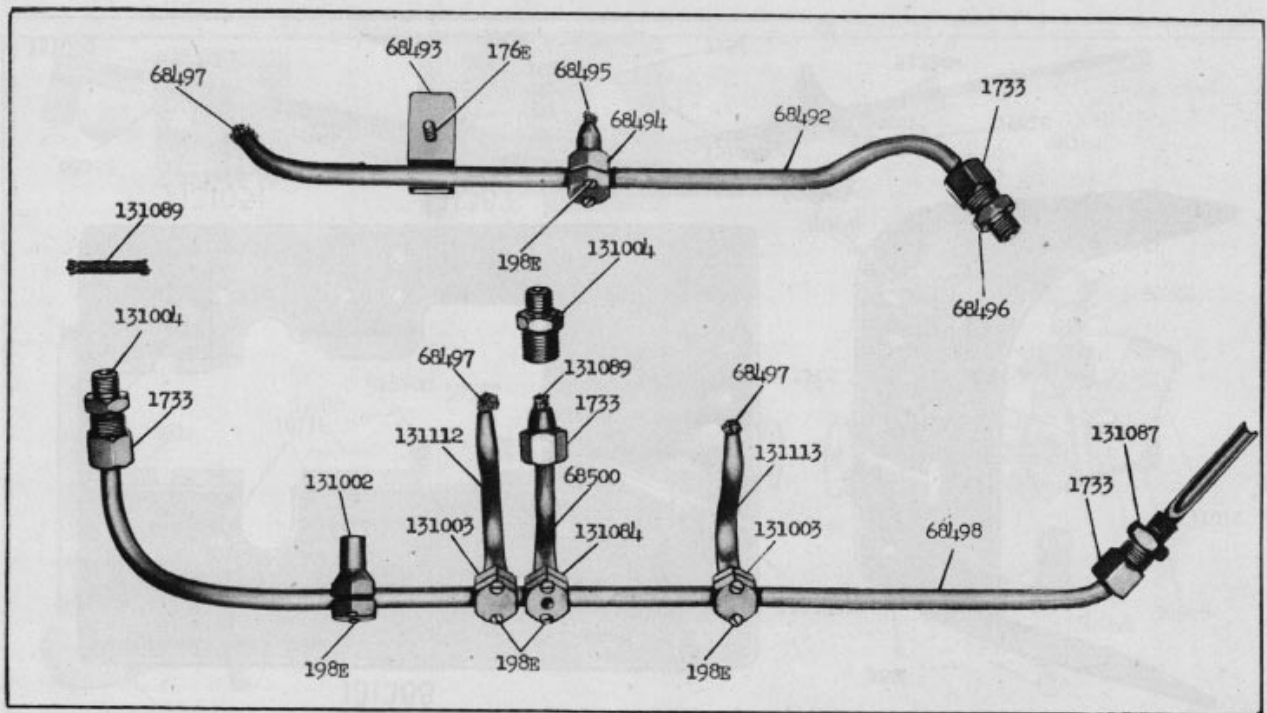
20700 - 2/3

147-80

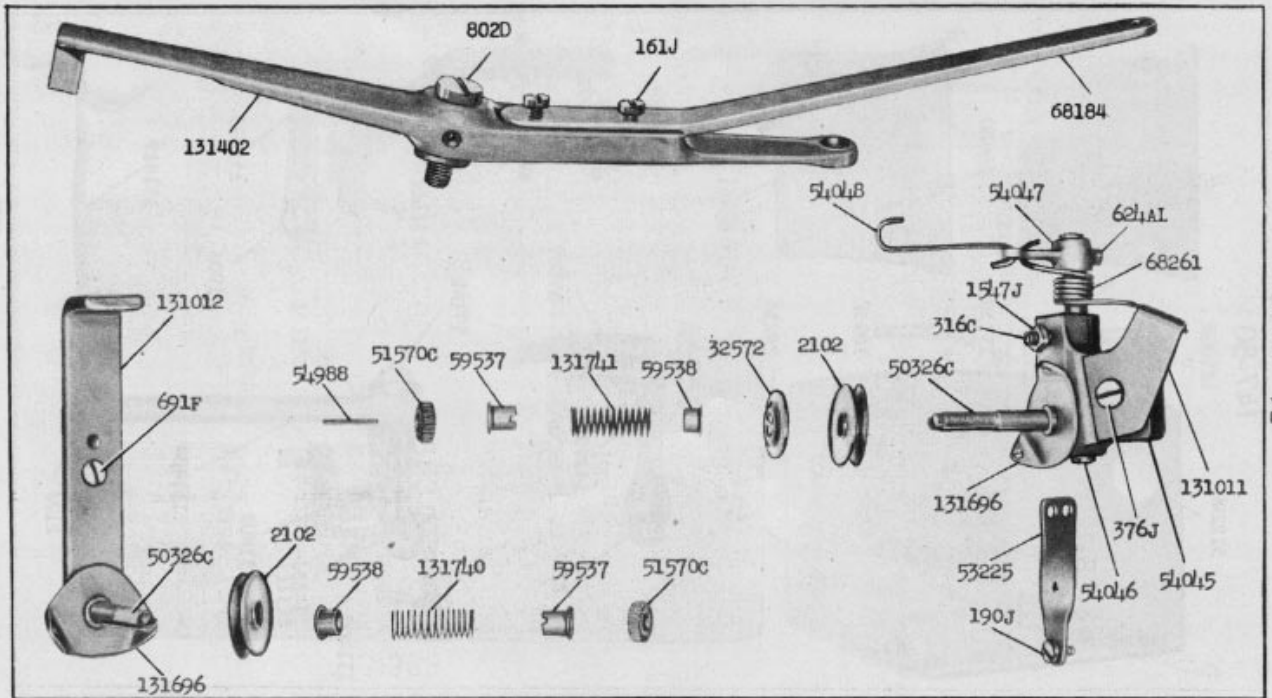
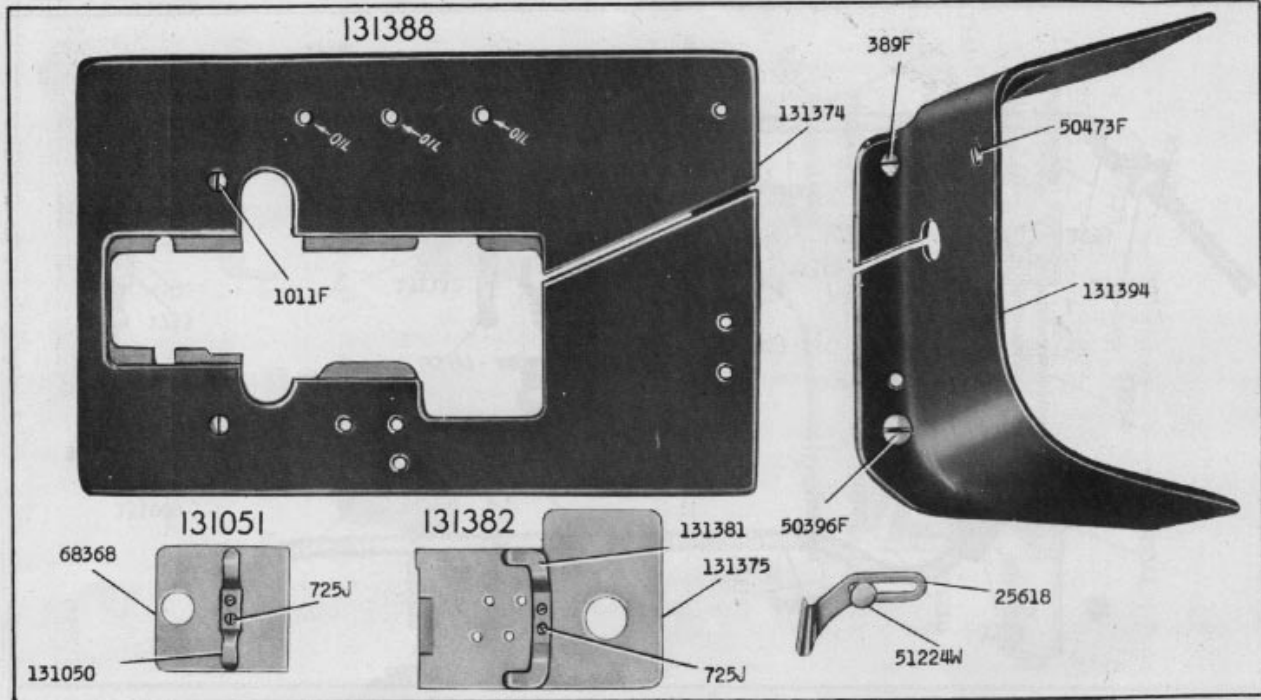


20702 - 1/2



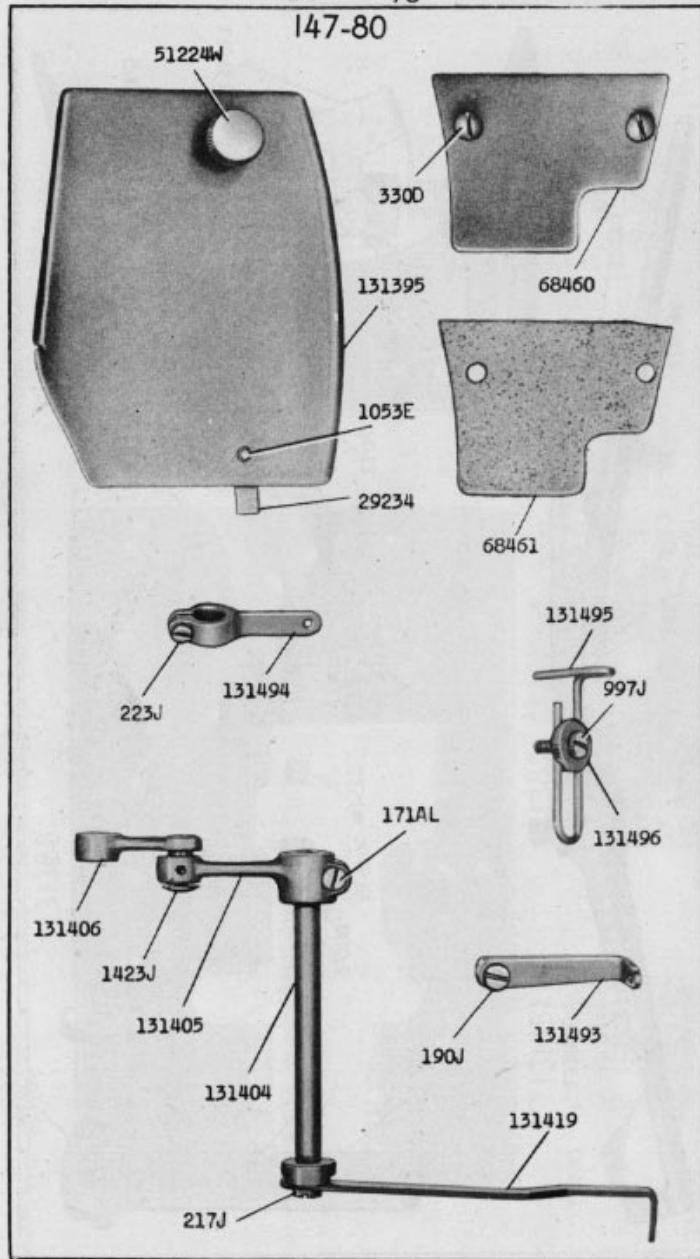


20703 - 1/2

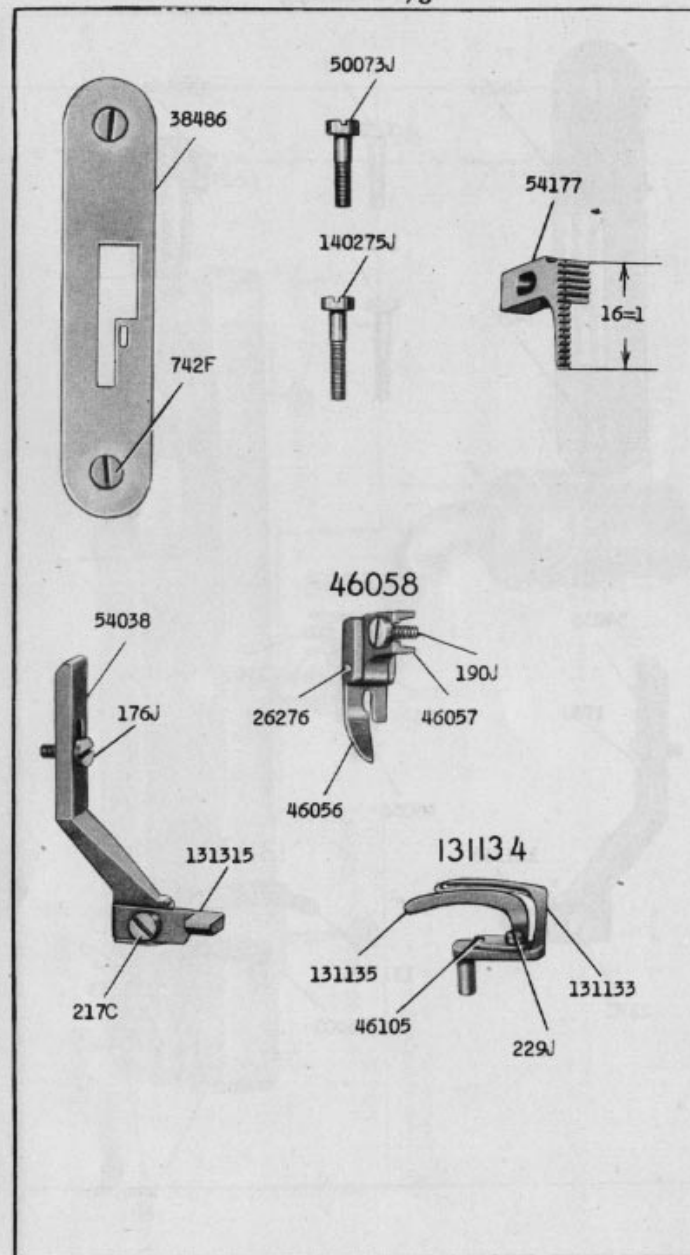


20706 - 2/3

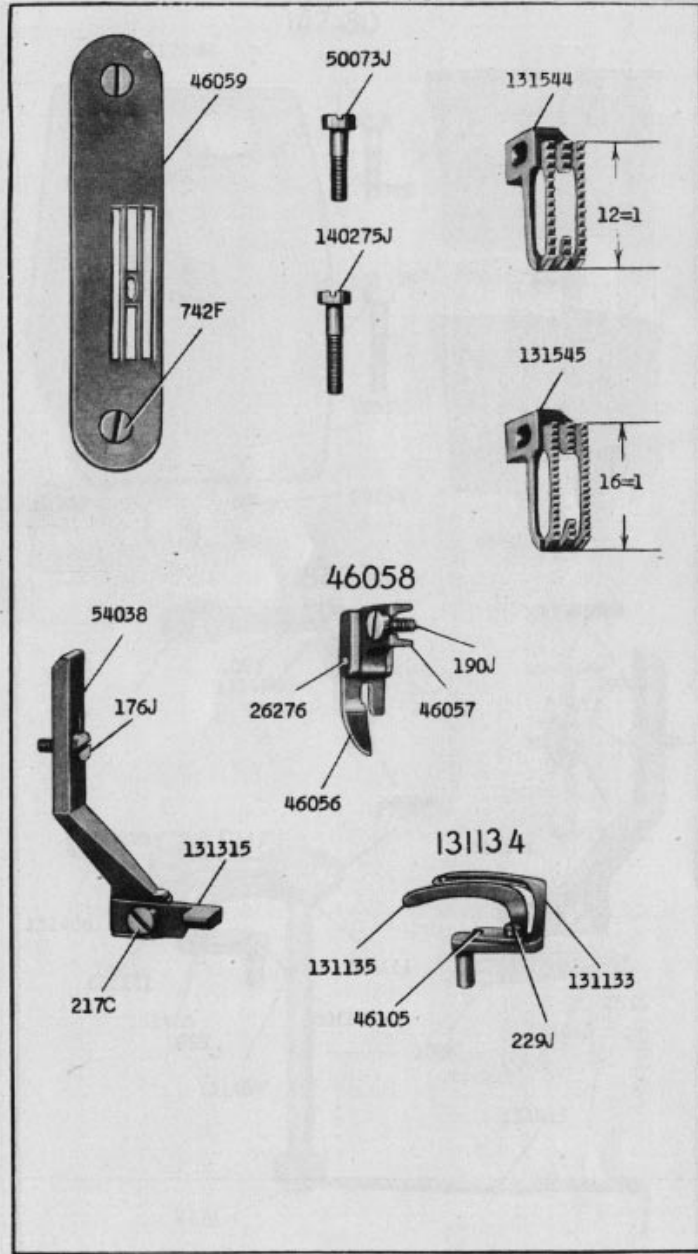
147-80

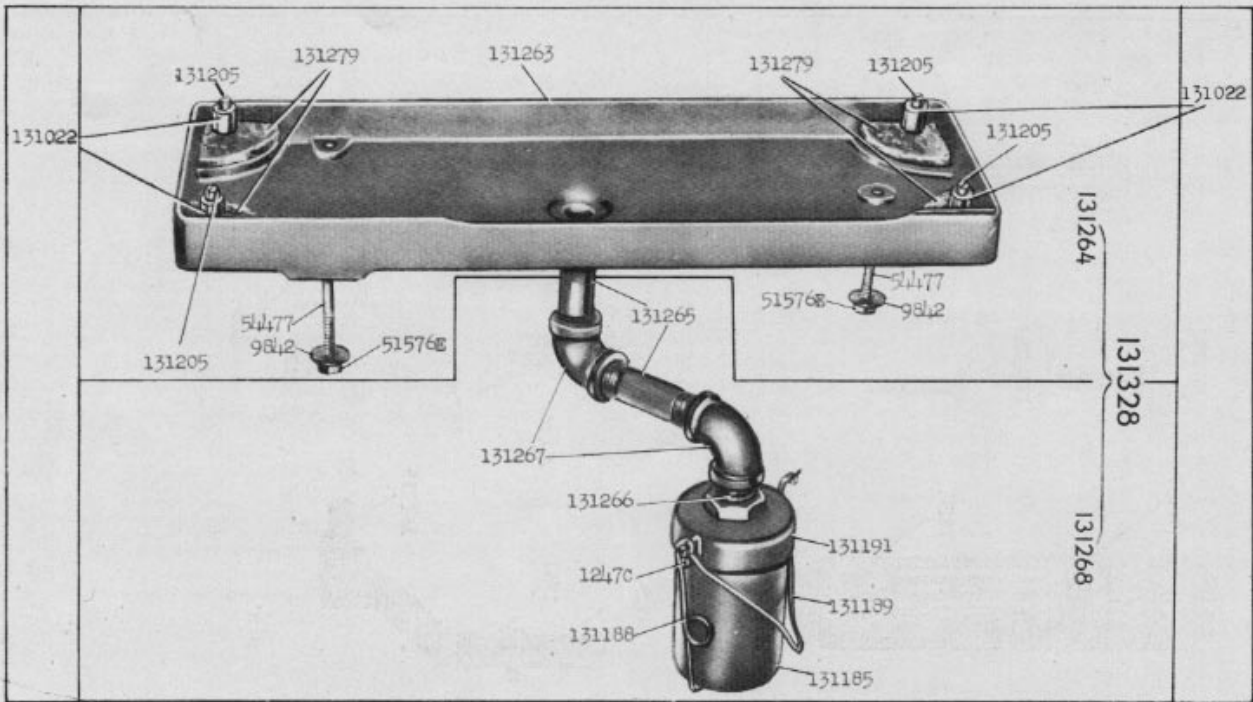


20707 - 2/3



20708 - 2/3





21038 - 1/4