

**SINGER**  
**782D100,D300,D310**

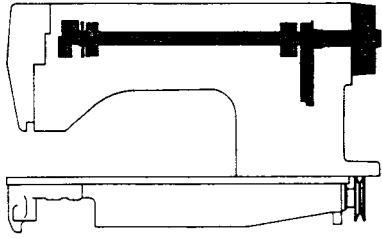
# Parts List

**SINGER**  
INDUSTRIAL PRODUCTS

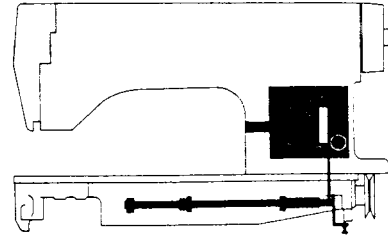
Parts List

---

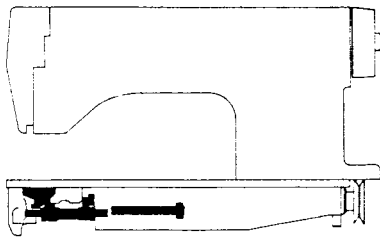
**782** D 100 CA  
D 300 CA  
D 310 CA



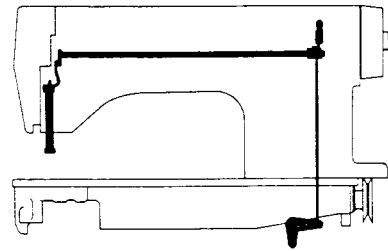
Page 5



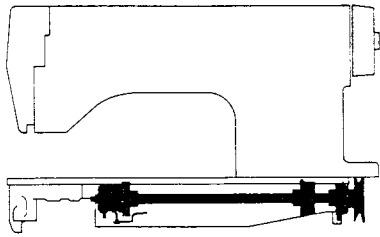
Page 13



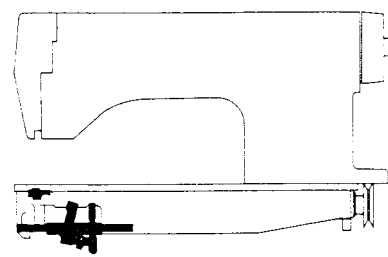
Page 7



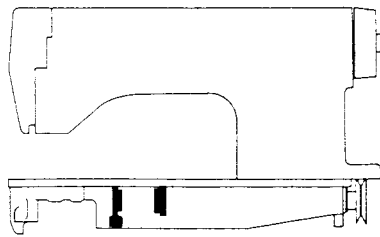
Page 15



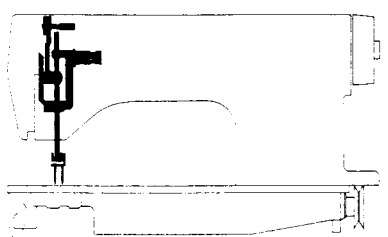
Page 9



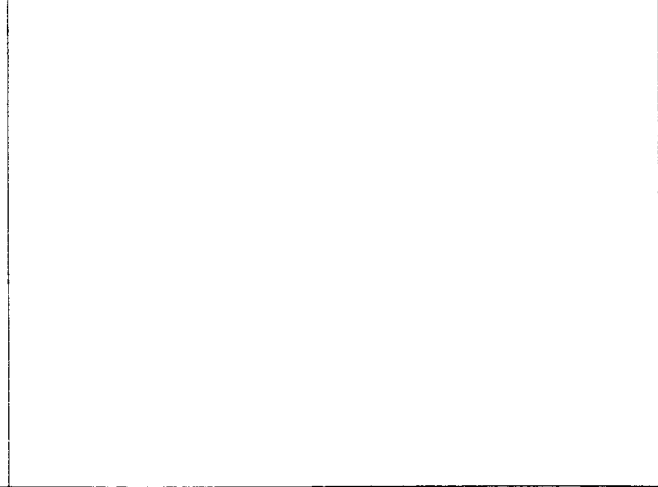
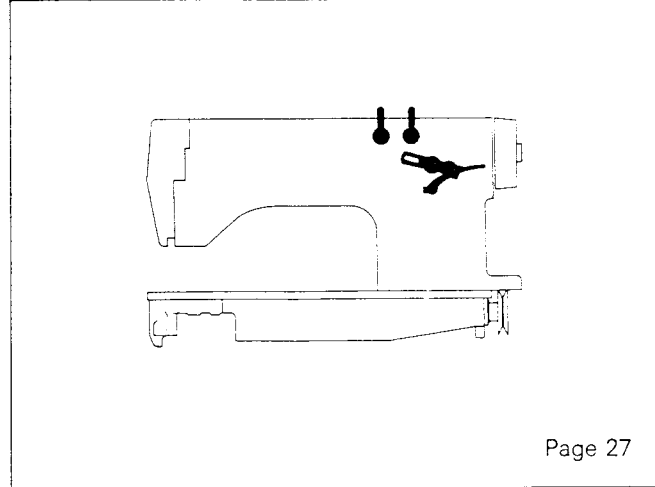
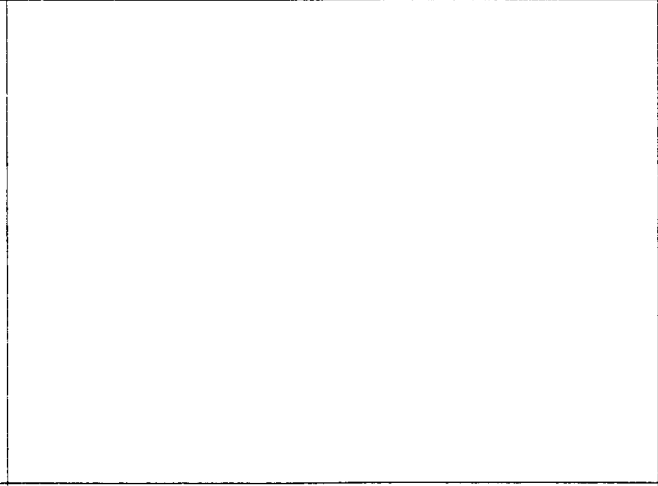
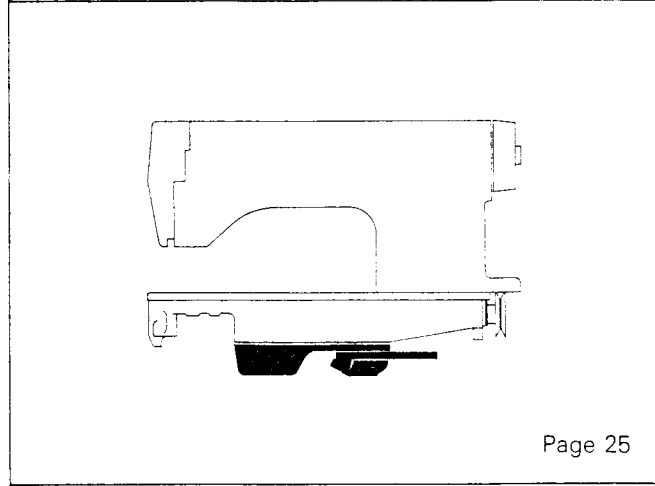
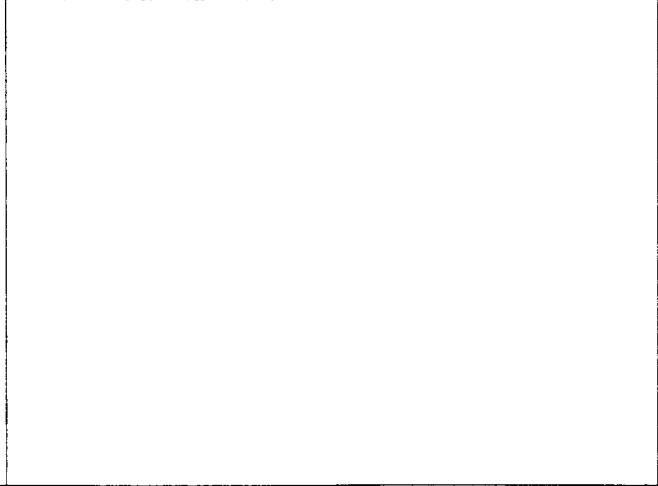
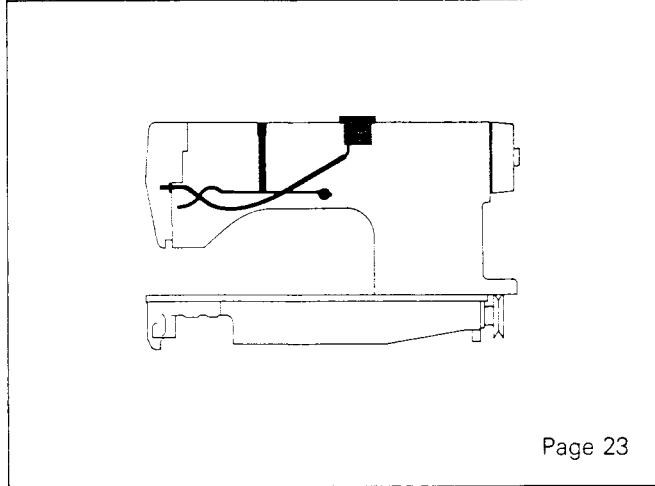
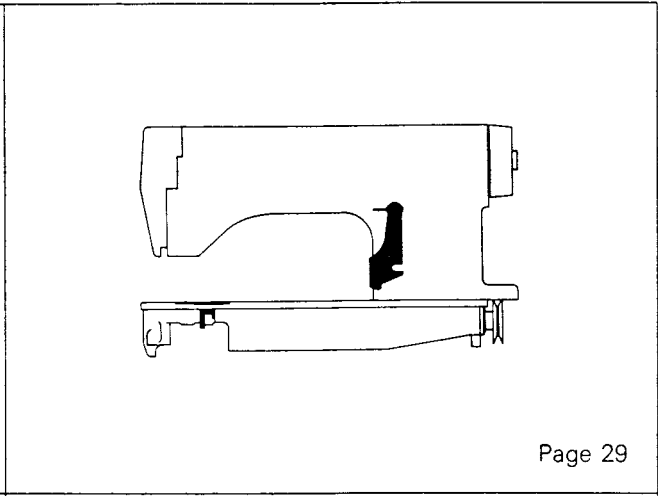
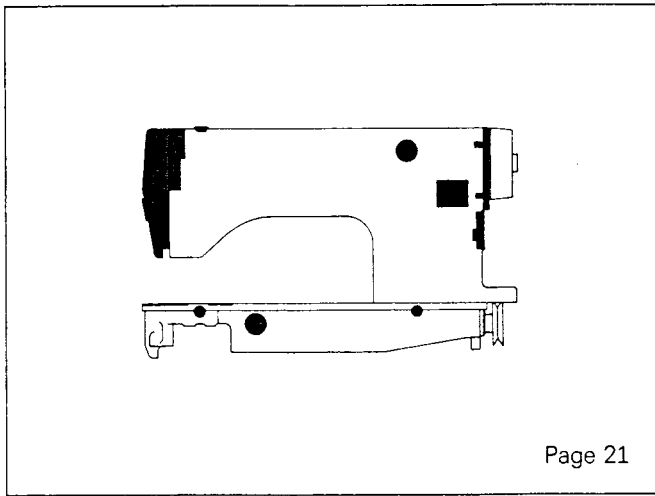
Page 17



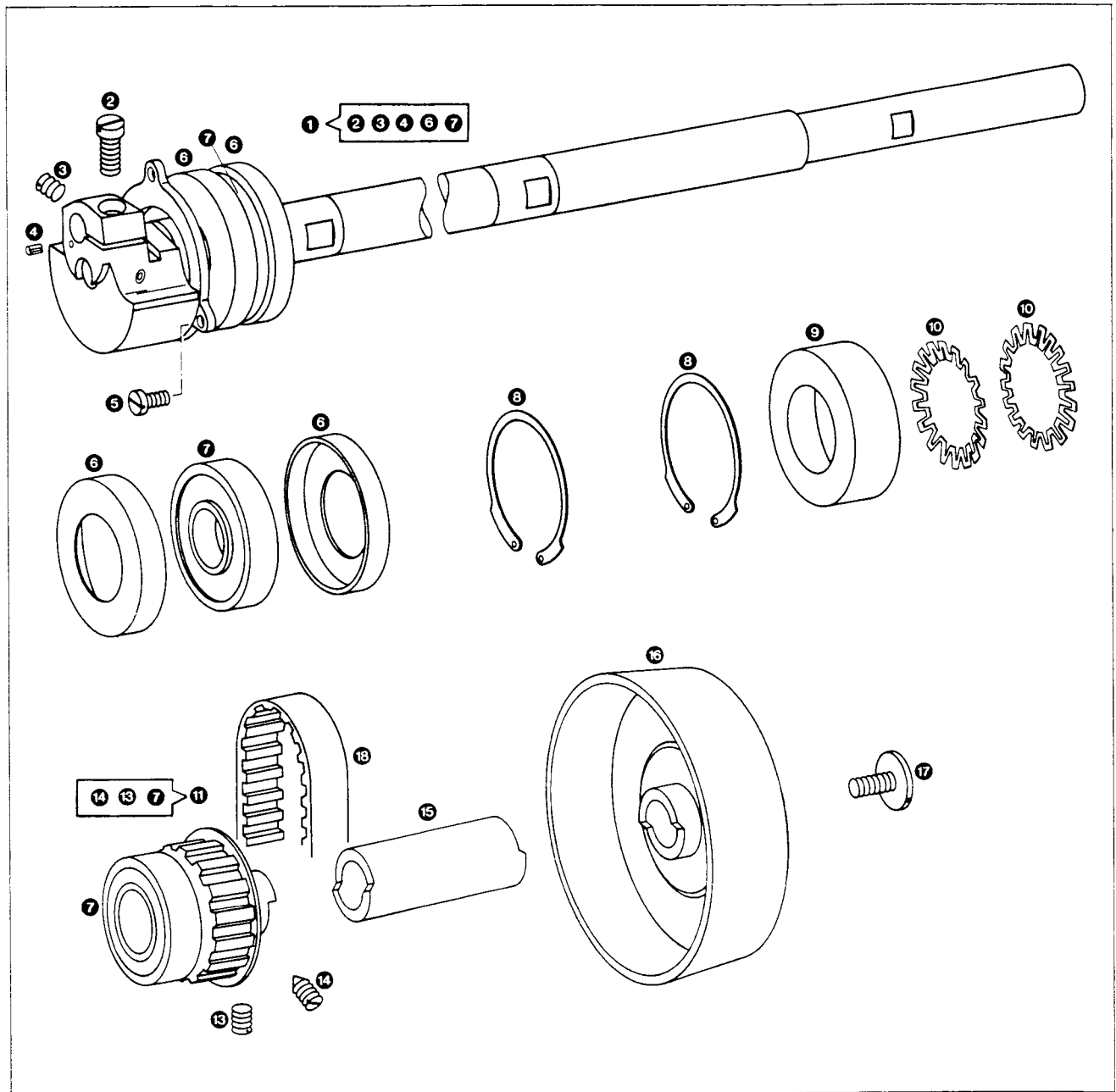
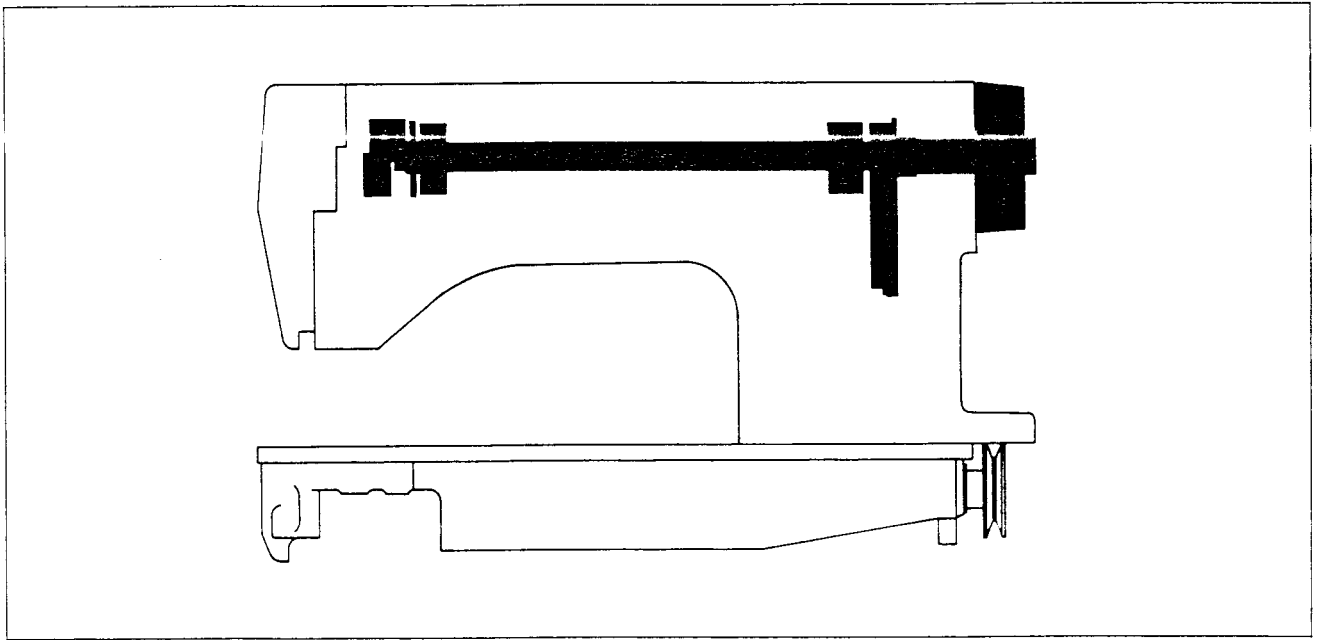
Page 11



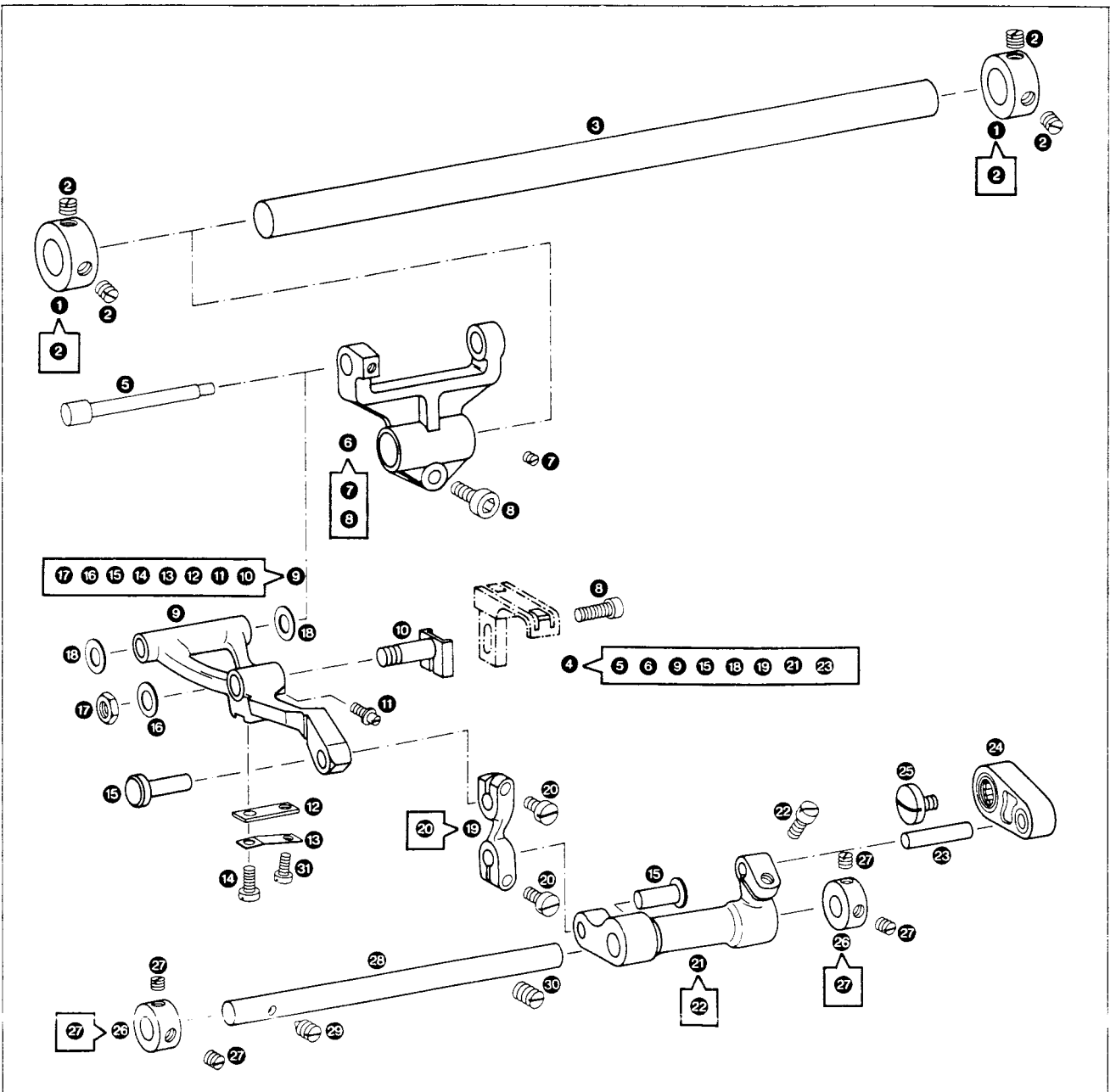
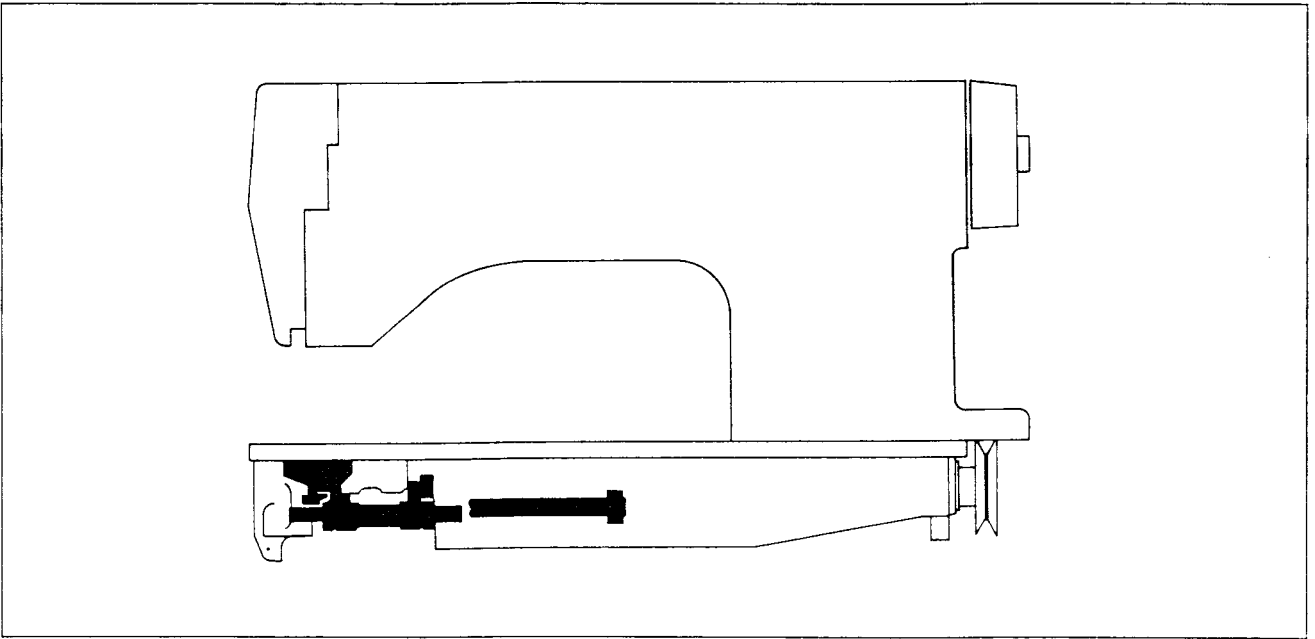
Page 19



Ref. No.	Part No. For Ordering	Description	Amt. Req.
1	513 207	Arm Shaft cpl.	
2	500 436-850	Screw (Cylinder Head)	
3	140 702-833	Set Screw	
4	512 032	Adapter Sleeve	
5	000 704-850	Screw (Cylinder Head)	3
6	512 637	Isophon-Roller-Bearing Cover	2
7	512 116	Grooved Ball Bearing	2
8	512 639	Retaining Ring	2
9	512 638	Damping Cup	
10	512 640	Radial Spring	2
11	512 641	Belt Pulley cpl.	
13	000 443-833	Set Screw	
14	500 426-833	Set Screw	
15	512 834	Intermediate Sleeve	
16	513 253	Hand Wheel	
17	511 531-880	Screw (Fillister Head)	
18	512 644	Machine Belt	

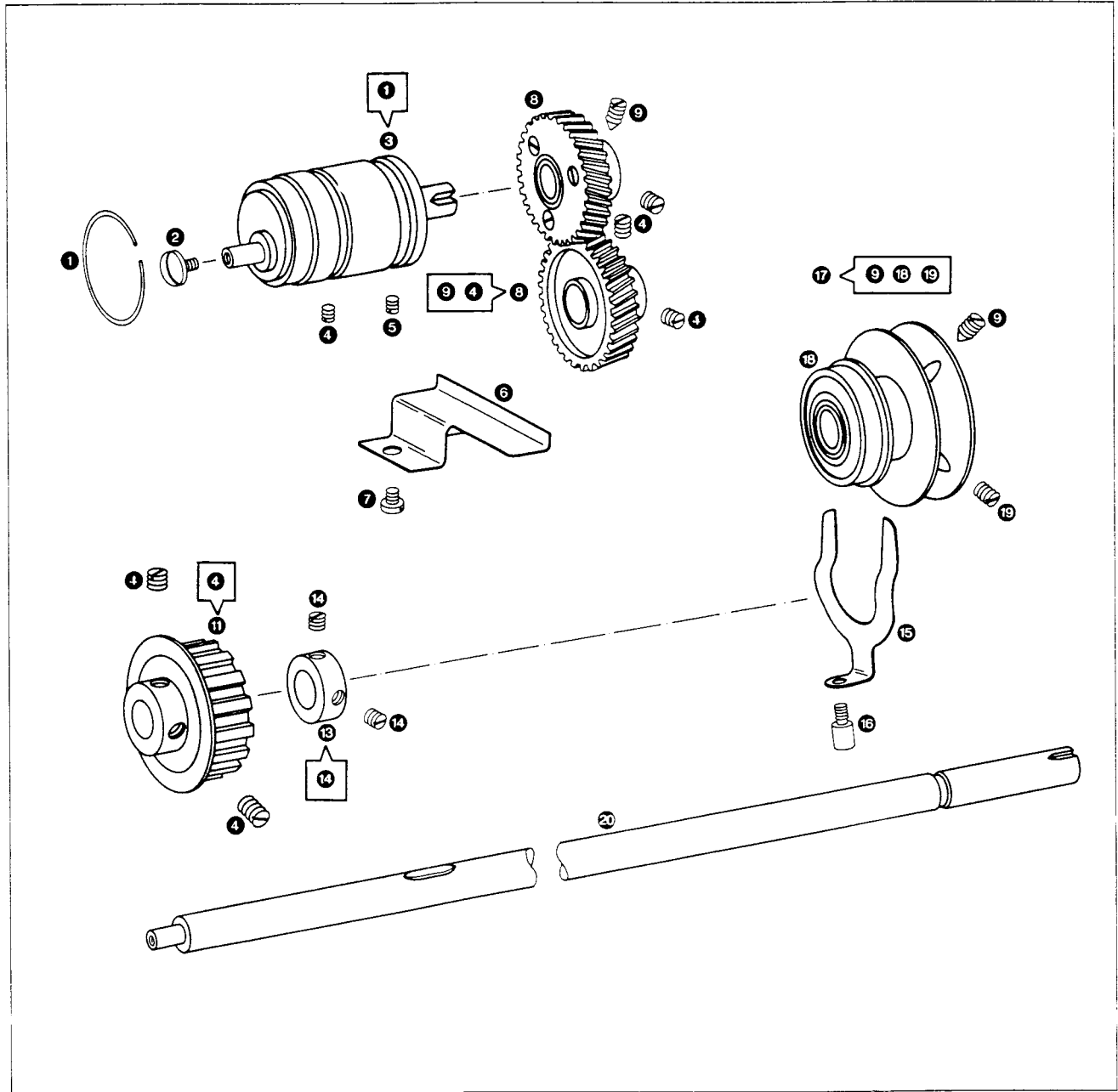
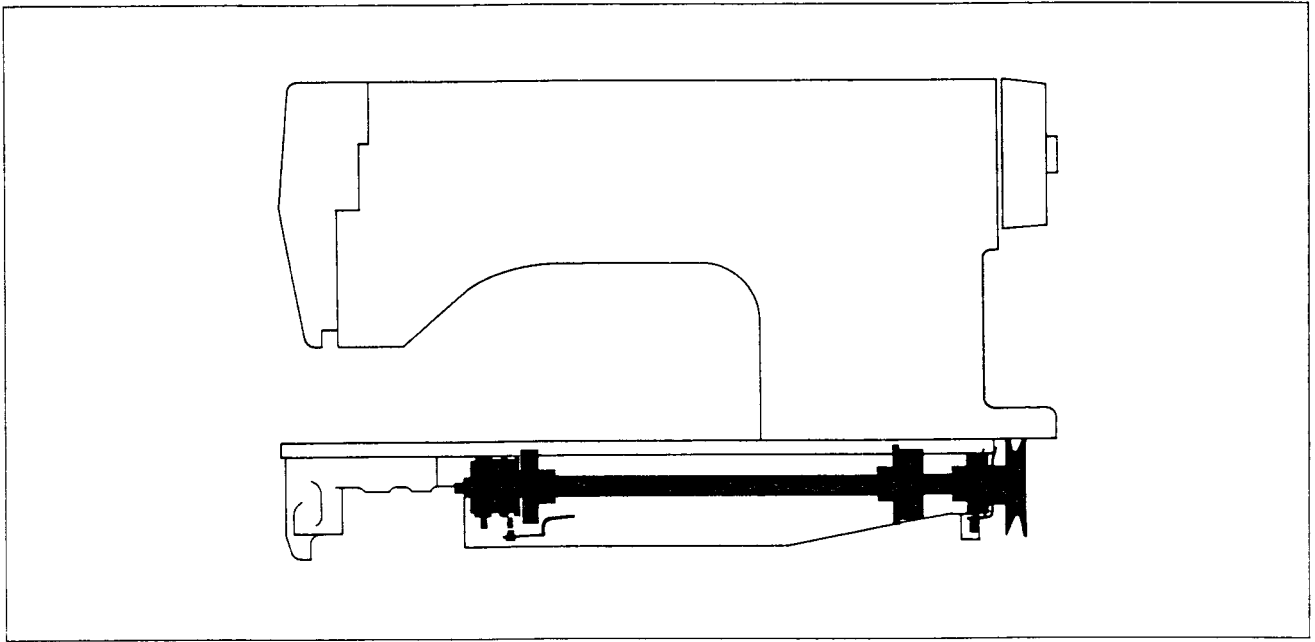


Ref. No.	Part No. For Ordering	Description	Amt. Req.
1	513 173	Adjusting Collar cpl.	2
2	000 453-833	Set Screw	4
3	512 683	Driving Shaft	
4	518 155	Driving Crank w/Feed Bar and Angular Lever cpl.	
5	518 112	Stud	
6	512 769	Driving Crank	
7	000 624-833	Set Screw	
8	350 719-869	Screw (Cylinder Head)	2
9	518 005	Feed Bar cpl.	
10	518 092	Feed Bar	
11	156 069	Threaded Stud	
12	518 091	Strap	
13	518 089	Leaf Spring	
14	500 009-850	Screw (Fillister Head)	
15	518 093	Stud	2
16	502 544	Spacer	
17	001 519-850	Hexagon Nut	
18	512 770	Washer	2
19	518 018	Crank	
20	500 115-850	Screw (Fillister Head)	2
21	518 012	Angular Lever cpl.	
22	500 435-850	Screw (Cylinder Head)	
23	518 069	Pin	
24	512 764	Link cpl.	
25	500 401-850	Screw (Cylinder Head)	
26	518 094	Adjusting Collar	2
27	000 457-833	Set Screw	4
28	518 090	Shaft	
29	500 426-833	Set Screw	
30	000 448-833	Set Screw	
31	000 176-850	Screw (Fillister Head)	

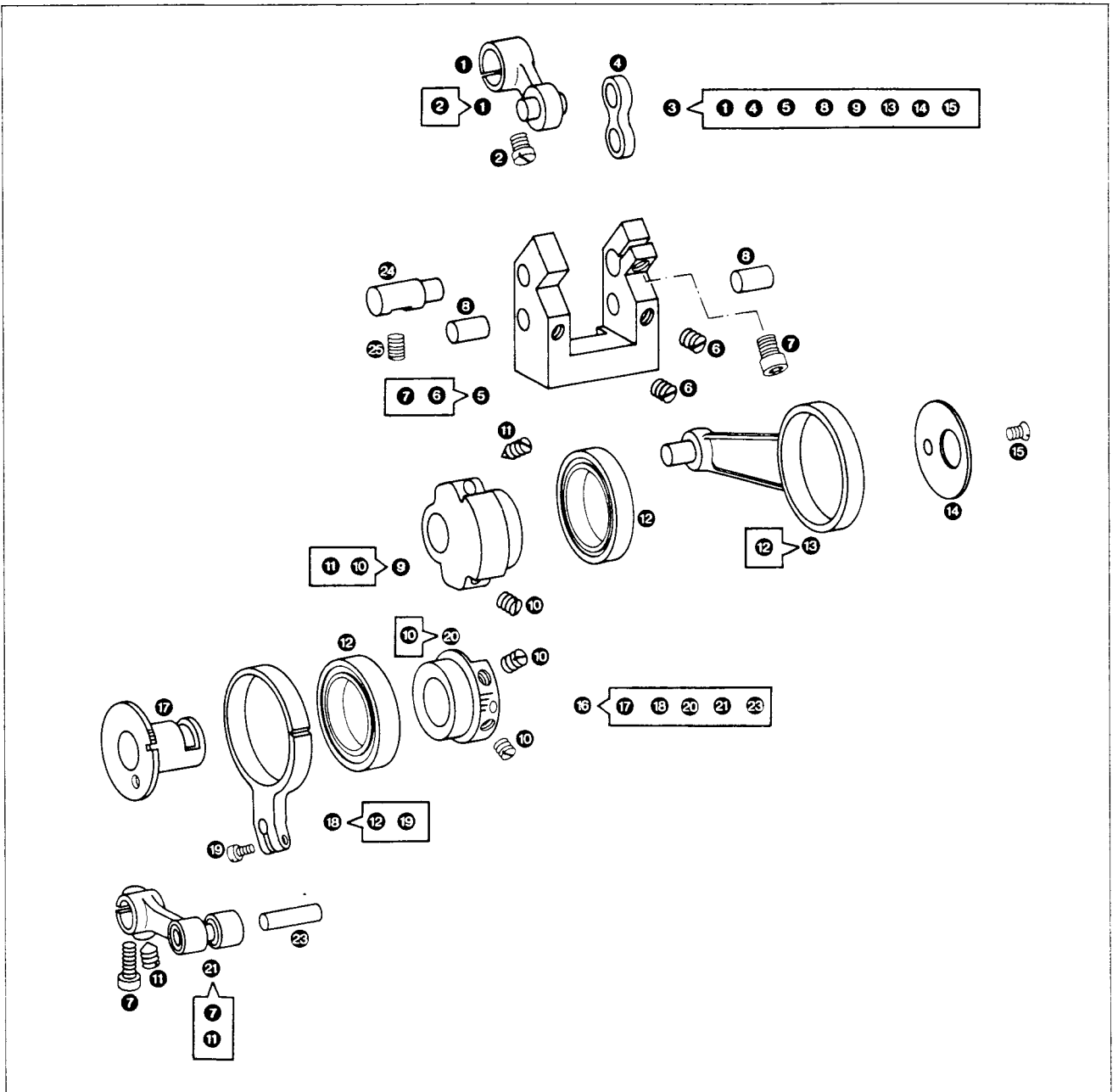
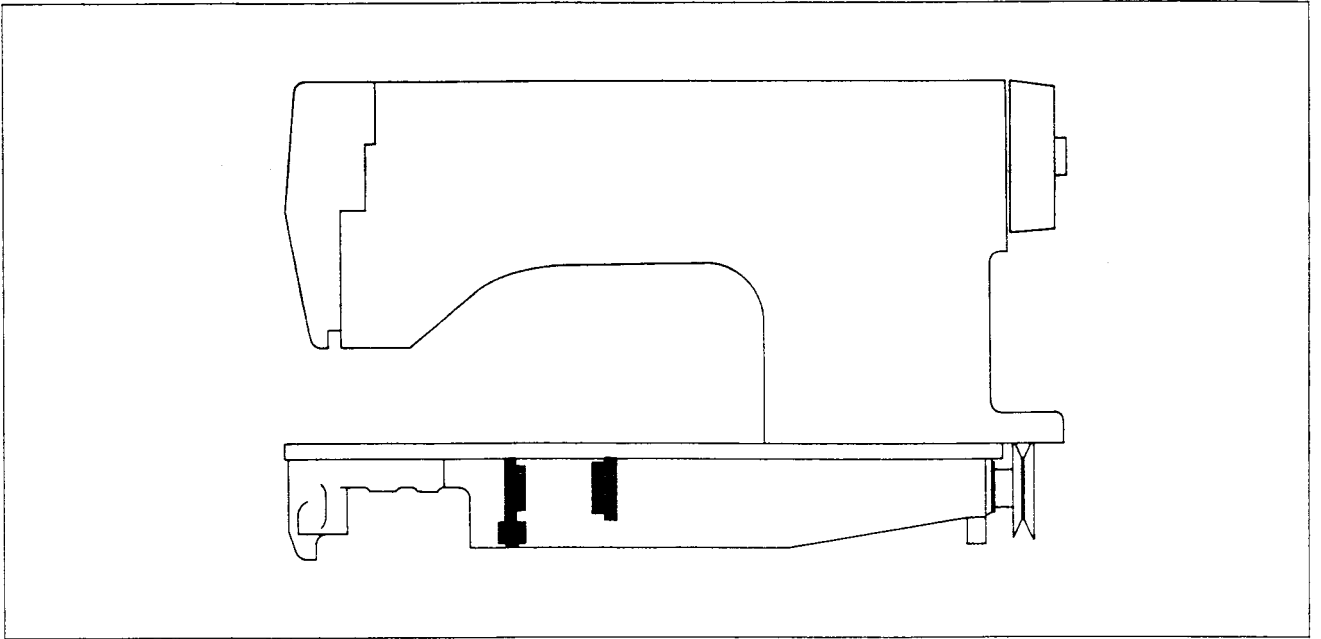




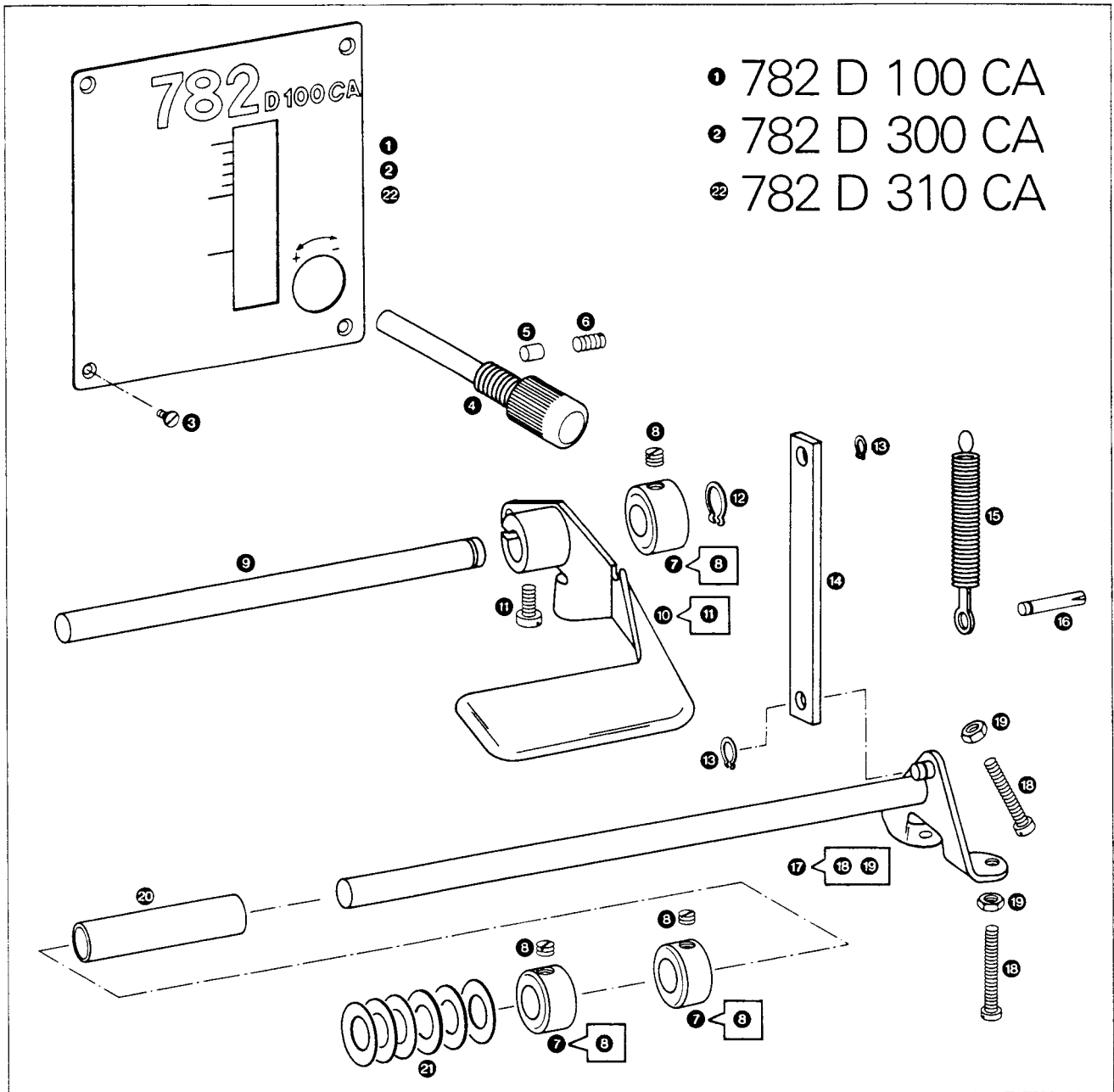
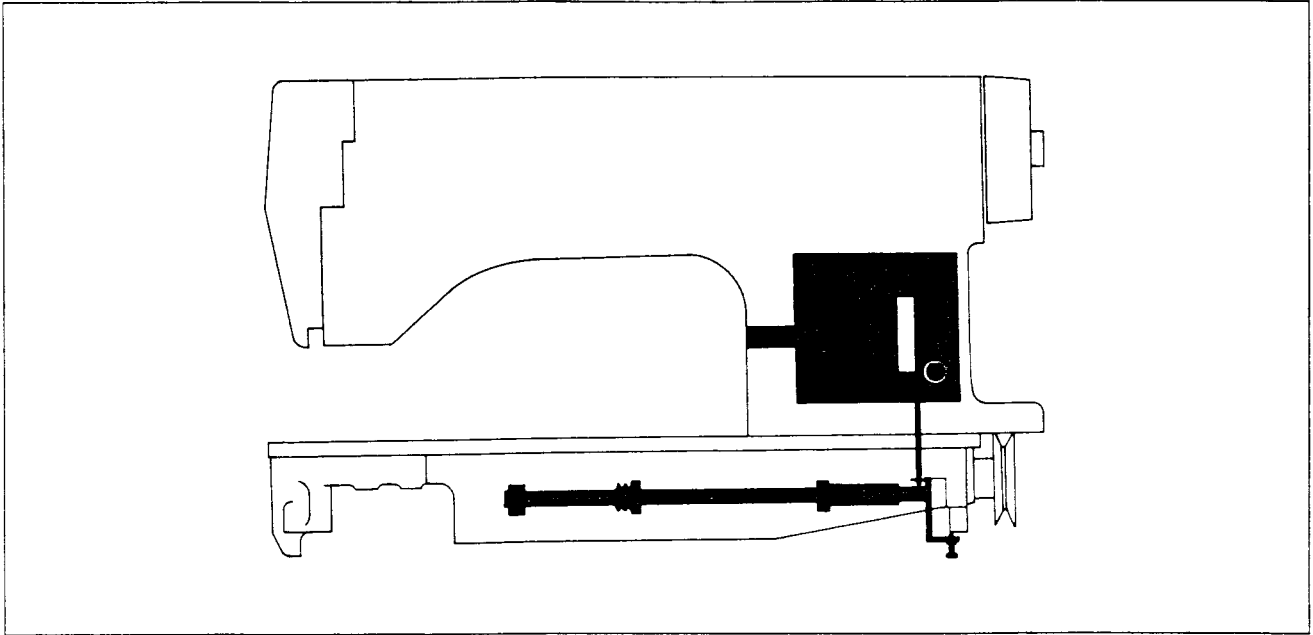
Ref. No.	Part No. For Ordering	Description	Amt. Req.
1	518 079	Ring	
2	050 650-805	Screw (Cylinder Head)	
3	518 218	Eccentric Bushing cpl.	
4	000 448-833	Set Screw	6
5	000 457-833	Set Screw	
6	518 110	Guard Bracket	
7	000 225-850	Screw (Fillister Head)	
8	518 088	Spur Gears (Pair)	
9	500 426-833	Set Screw	2
11	512 647	Belt Pulley	
13	513 173	Adjusting Collar cpl.	
14	000 453-833	Set Screw	2
15	512 914	Retainer	
16	500 439-850	Lug Screw	
17	512 910	Pulley	
18	244 713	Ball Bearing	
19	000 443-833	Set Screw	
20	518 115	Eccentric Shaft	



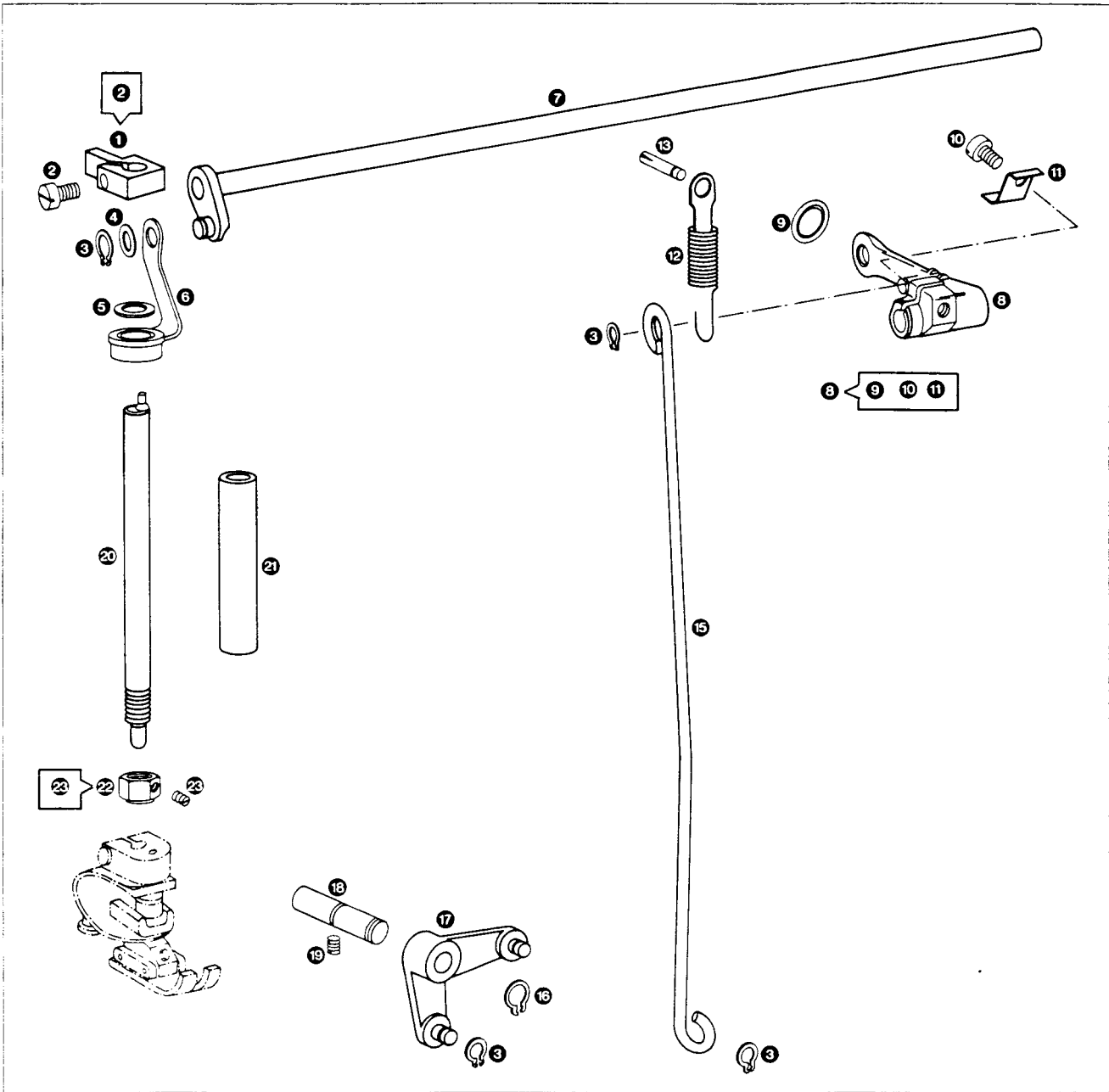
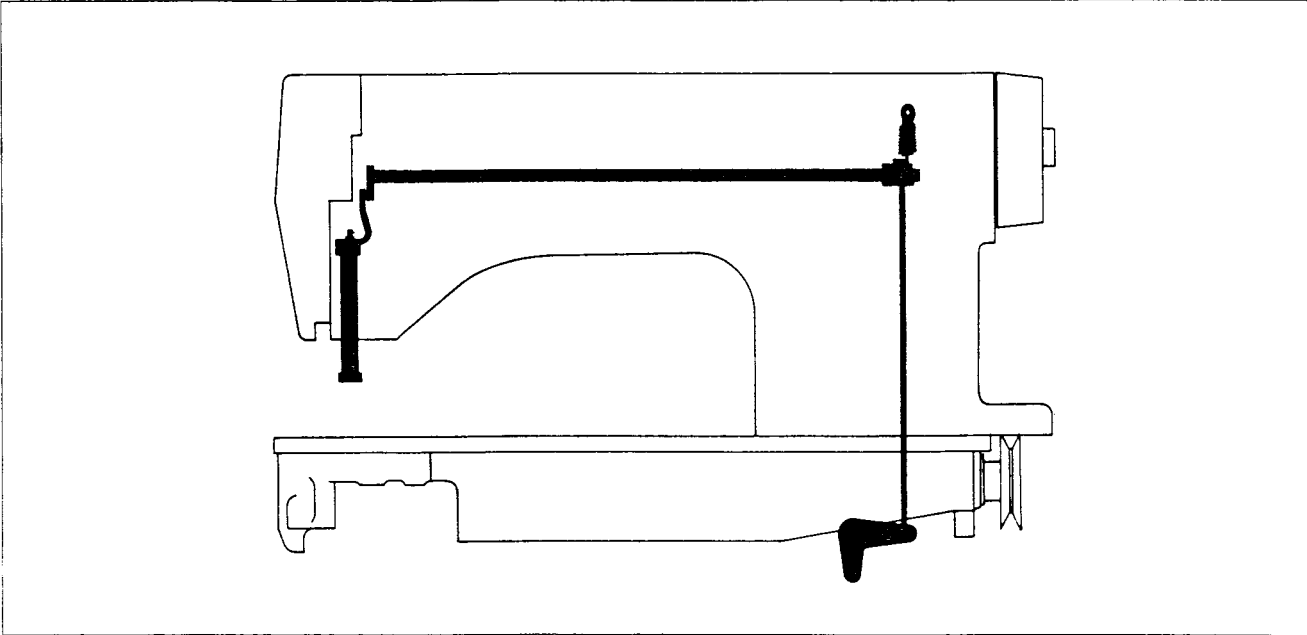
Ref. No.	Part No. For Ordering	Description	Amt. Req.
1	513 190	Crank cpl.	
2	500 440-850	Screw (Cylinder Head)	
3	513 185	Feed Mechanism cpl.	
4	512 631	Set of Straps	
5	513 187	Adjusting Frame cpl.	
6	000 443-833	Set Screw	2
7	350 719-869	Screw (Cylinder Head)	2
8	512 632	Stud	2
9	512 625	Eccentric cpl.	
10	000 448-833	Set Screw	3
11	500 426-833	Set Screw	2
12	512 027	Grooved Ball Bearing	2
13	513 188	Connecting Rod	
14	512 627	Washer	
15	500 431-850	Countersunk Screw	
16	518 179	Looper Drive, transverse, cpl.	
17	518 177	Eccentric Bushing	
18	518 010	Connecting Rod	
19	500 115-850	Screw (Cylinder Head)	
20	518 178	Eccentric cpl.	
21	518 011	Fork Lever cpl.	
23	518 069	Screw (Cylinder Head)	
24	513 186	Stud	
25	001 036-830	Set Screw	



Ref. No.	Part No. For Ordering	Description	Amt. Req.
1	518 182	Arm Cover 782 D 100 CA	
2	518 183	Arm Cover 782 D 300 CA	
3	500 429-821	Countersunk Screw	4
4	500 504-853	Thumb Screw	
5	512 671	Pressure Member	
6	500 438-833	Set Screw	
7	263 469	Adjusting Collar cpl.	3
8	200 378-850	Set Screw	3
9	513 192	Shaft	
10	513 308	Lever cpl.	
11	000 129-850	Screw (Cylinder Head)	
12	502 634	Retaining Ring	
13	502 802	Retaining Ring	2
14	513 199	Strap	
15	513 234	Tension Spring cpl.	
16	512 120	Slotted Pin	
17	513 235	Actuating Shaft	
18	500 367-850	Screw (Cylinder Head)	2
19	051 775-850	Hexagon Nut	2
20	513 271	Bushing	
21	512 119	Cup Spring	6
22	518 184	Arm Cover 782 D 310 CA	

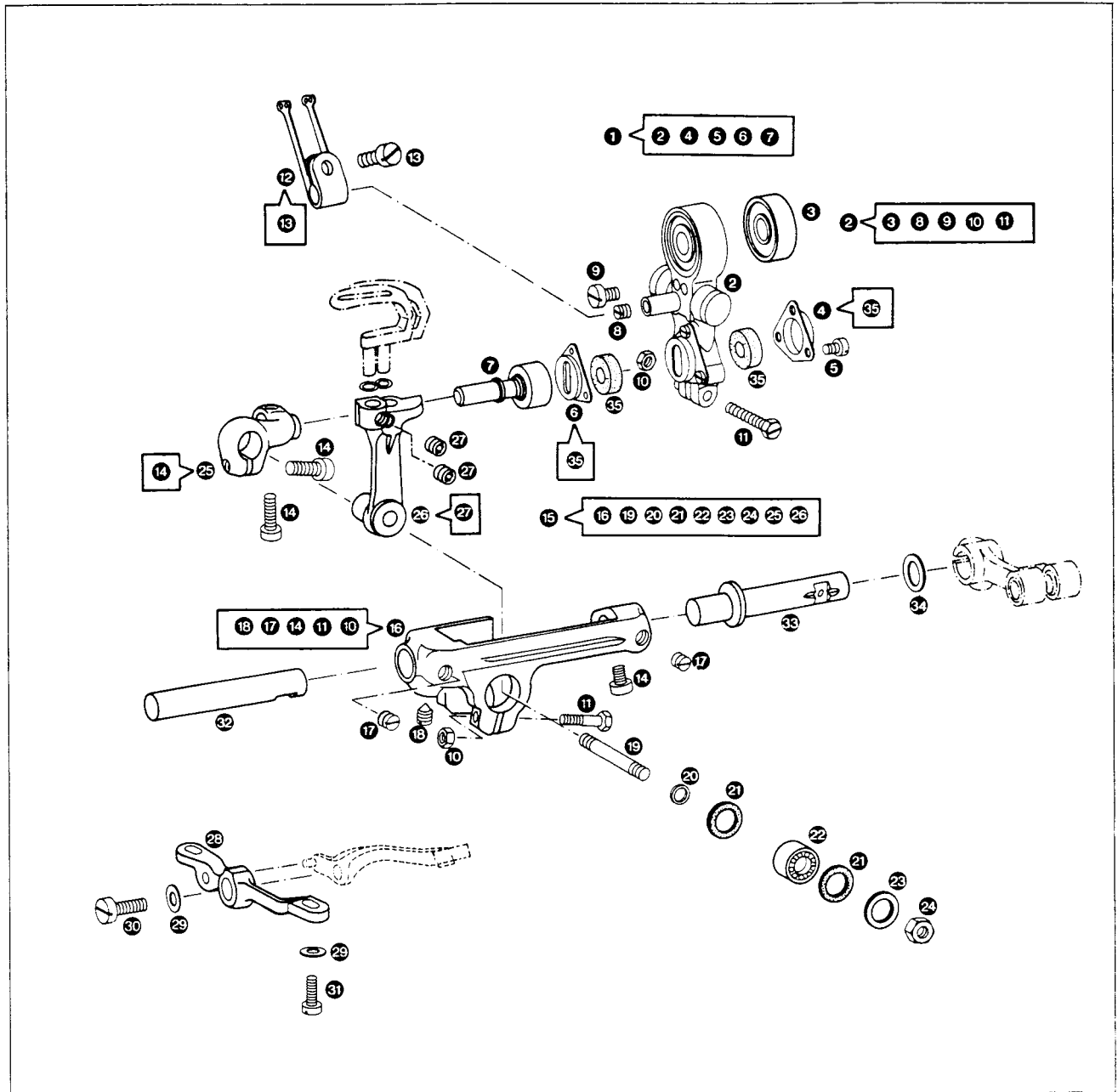
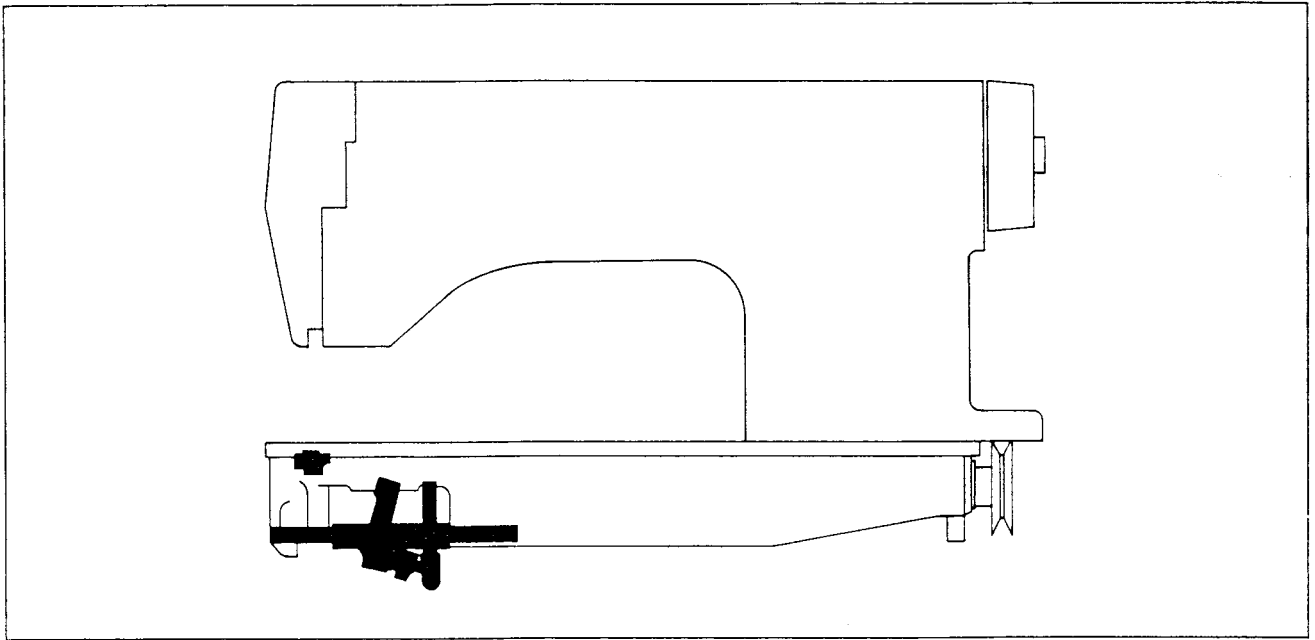


Ref. No.	Part No. For Ordering	Description	Amt. Req.
1	518 173	Guide cpl.	
2	000 145-850	Screw (Fillister Head)	
3	502 802	Retaining Ring	4
4	512 096	Spring Washer	
5	518 174	Washer	
6	518 171	Angle cpl.	
7	512 658	Shaft cpl.	
8	518 015	Lifter Lever cpl.	
9	518 135	Gasket Ring	
10	350 711-869	Screw (Cylinder Head)	
11	518 036	Stop	
12	518 160	Tension Spring cpl.	
13	502 867	Slotted Pin w/shoulder	
15	512 776	Connecting Rod	
16	502 958	Retaining Ring	2
17	512 777	Angular Lever cpl.	
18	512 779	Stud	
19	000 448-833	Set Screw	
20	518 097	Presser Bar cpl.	
21	518 099	Bushing	
22	157 881	Hexagon Nut cpl.	
23	000 906-830	Set Screw	

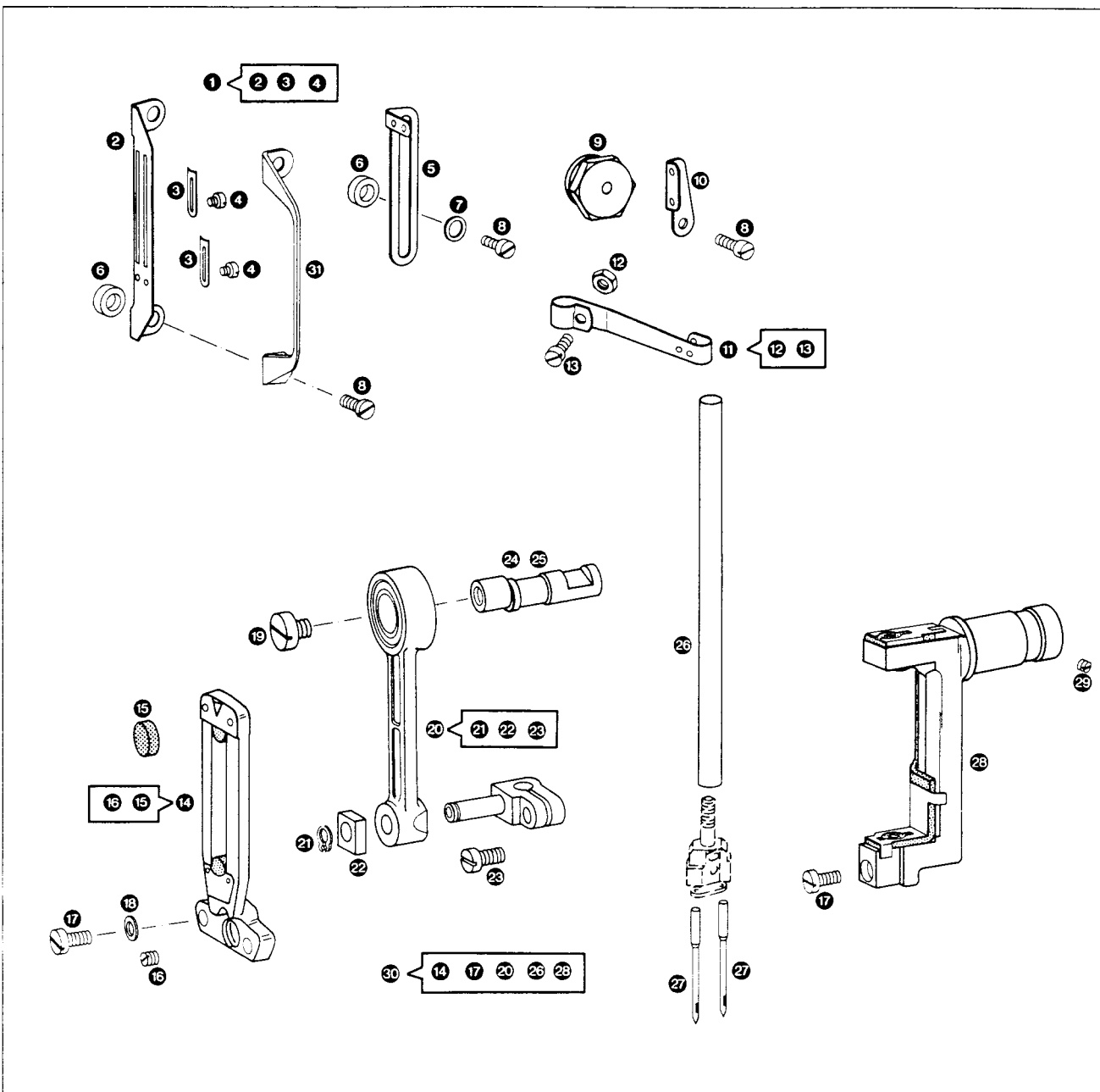
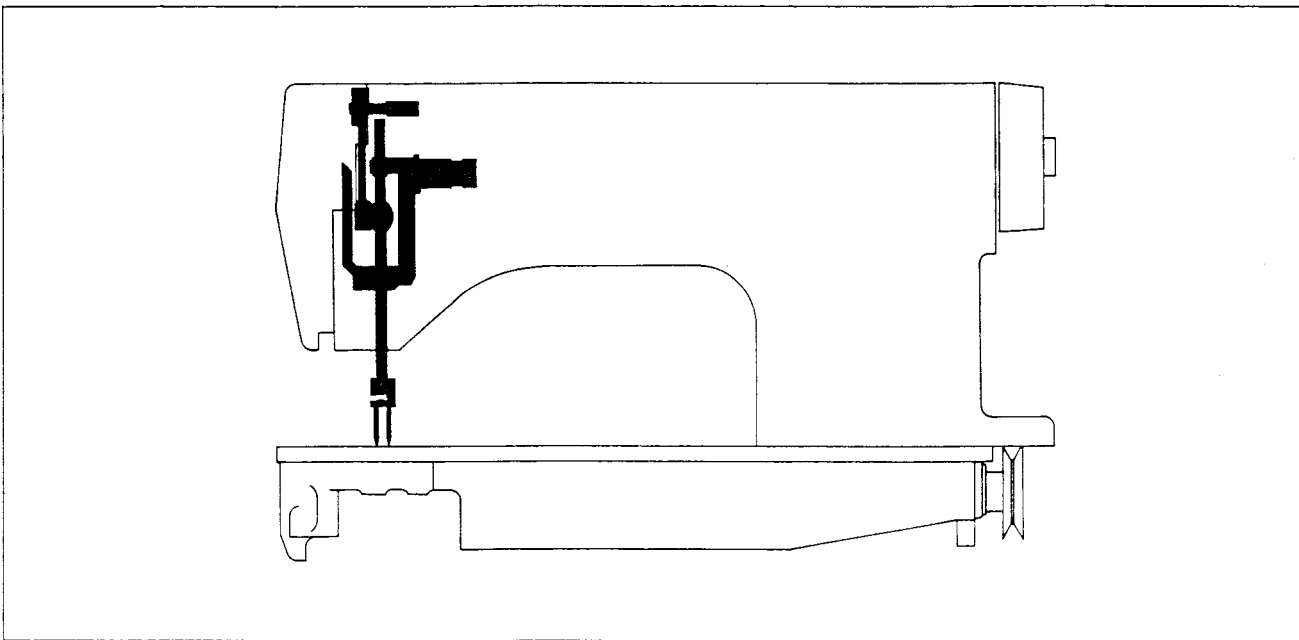




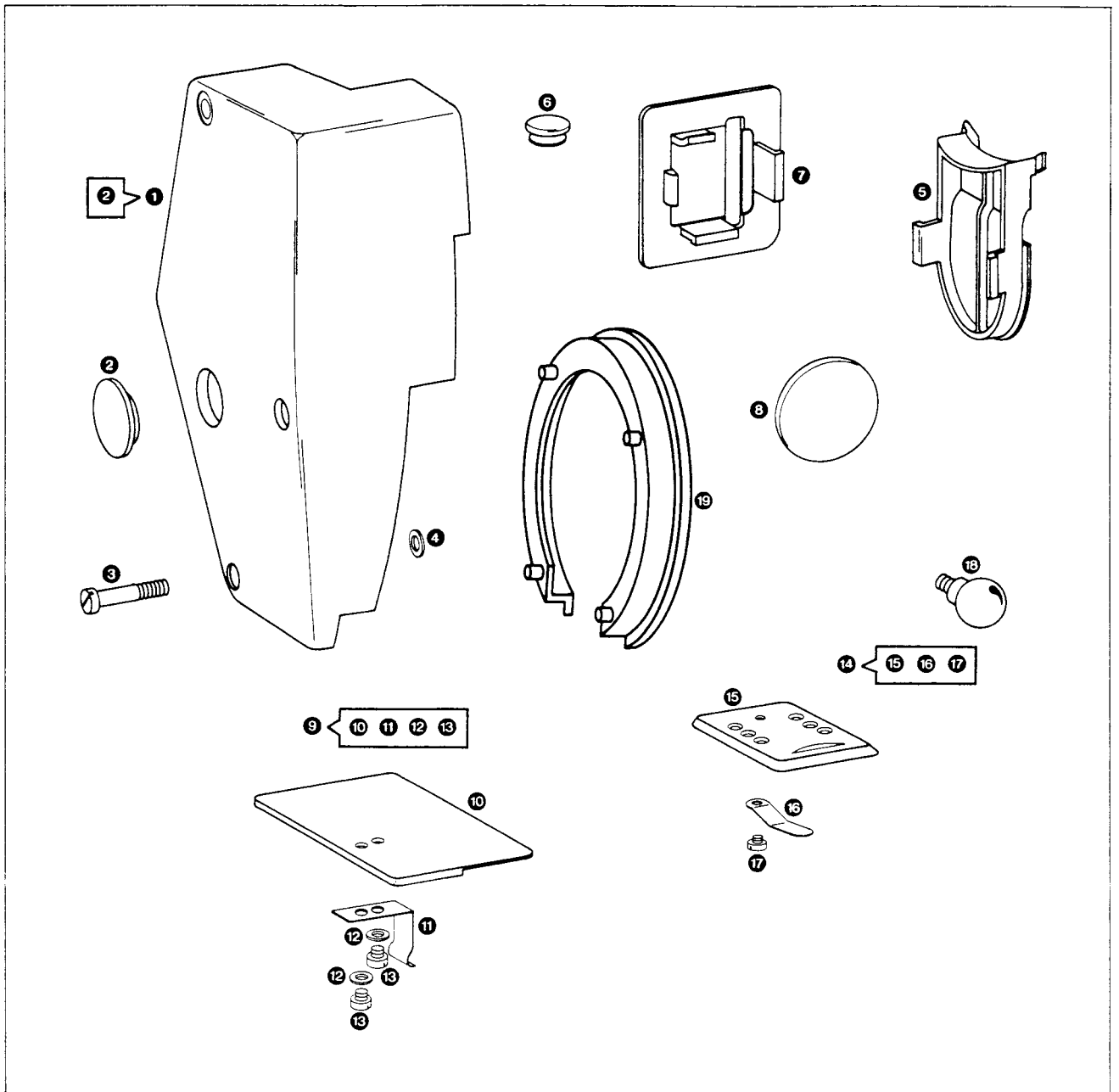
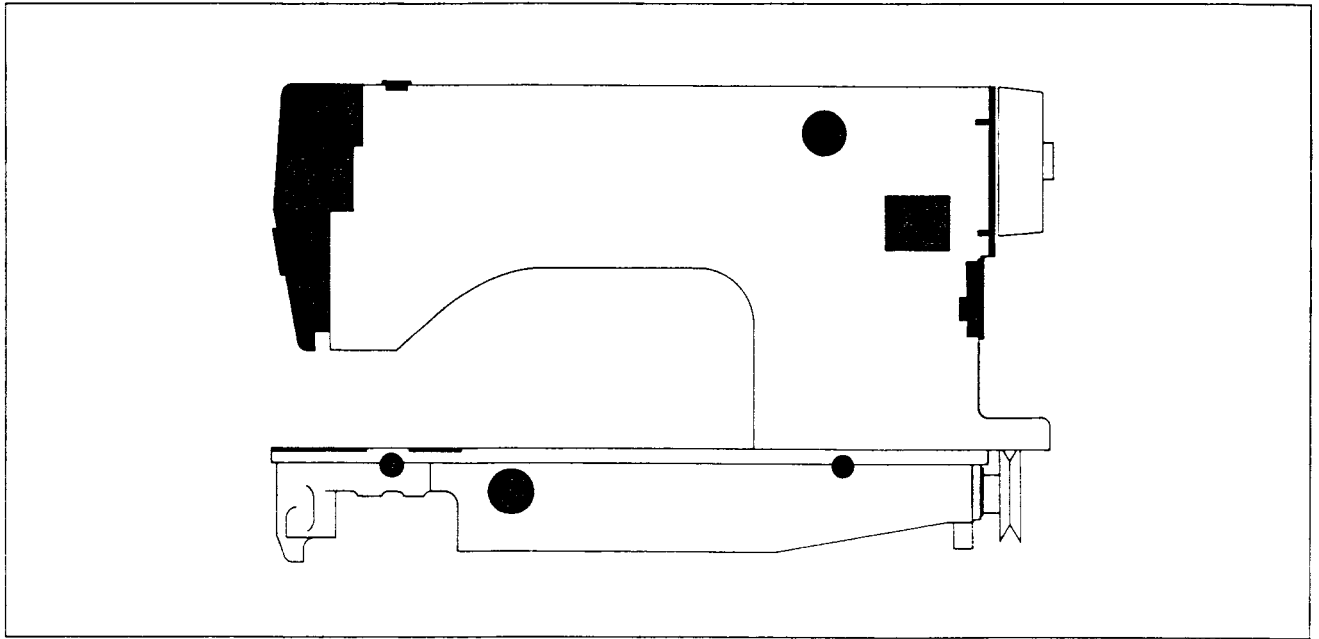
Ref. No.	Part No. For Ordering	Description	Amt. Req.
1	518 149	Connecting Link w/Ball Joint cpl.	
2	518 150	Connecting Link w/Ball Joint	
3	513 100	Grooved Ball Bearing	
4	518 075	Plug, left cpl.	
5	500 370-850	Screw (Cylinder Head)	6
6	518 074	Plug, right cpl.	
7	518 080	Stud w/Ball Joint	
8	000 440-833	Set Screw	
9	050 624-833	Screw (Fillister Head)	
10	500 784-819	Hexagon Nut	3
11	500 497-850	Hexagon Screw	3
12	518 233	Thread Puller cpl.	
13	001 057-833	Screw (Fillister Head)	
14	350 719-869	Screw (Cylinder Head)	3
15	518 221	Looper Frame w/Looper Lever and Looper Driving Lever	
16	518 004	Looper Frame	
17	000 448-833	Set Screw	2
18	500 426-833	Set Screw	
19	512 082	Threaded Stud	
20	518 101	Ring	2
21	518 073	Washer	4
22	518 153	Bushing w/Ball Bearing cpl.	2
23	518 081	Washer	2
24	001 718-850	Hexagon Nut	2
25	518 003	Looper Driving Lever cpl.	
26	518 220	Looper Lever	
27	350 595-869	Set Screw	2
28	518 022	Bracket for Needle Guide	
29	512 011	Washer	3
30	500 059-803	Screw (Cylinder Head)	
31	001 057-833	Screw (Fillister Head)	2
32	518 068	Stud	
33	518 070	Stud	
34	518 071	Washer	
35	518 130	Foam cushion	2



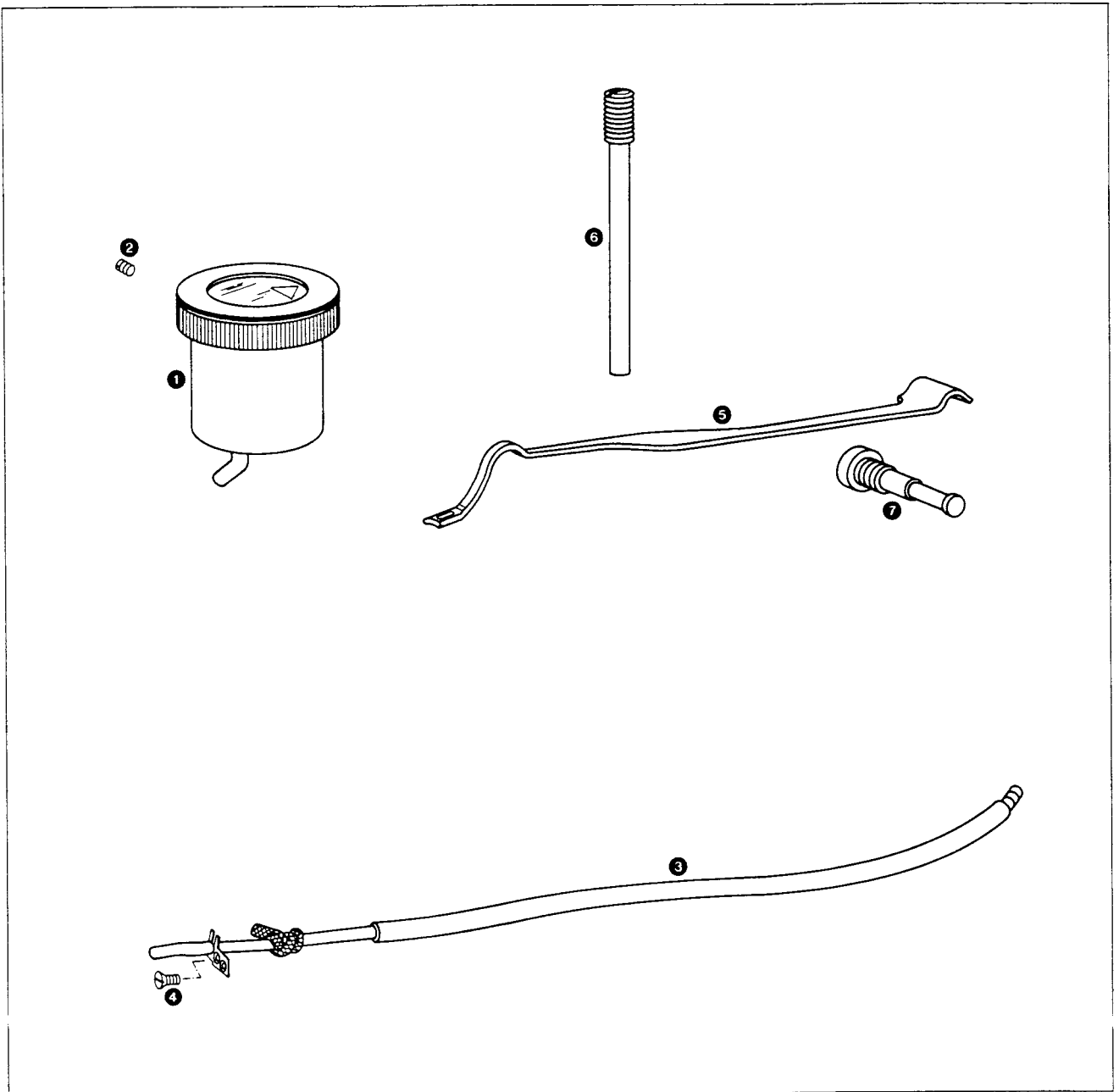
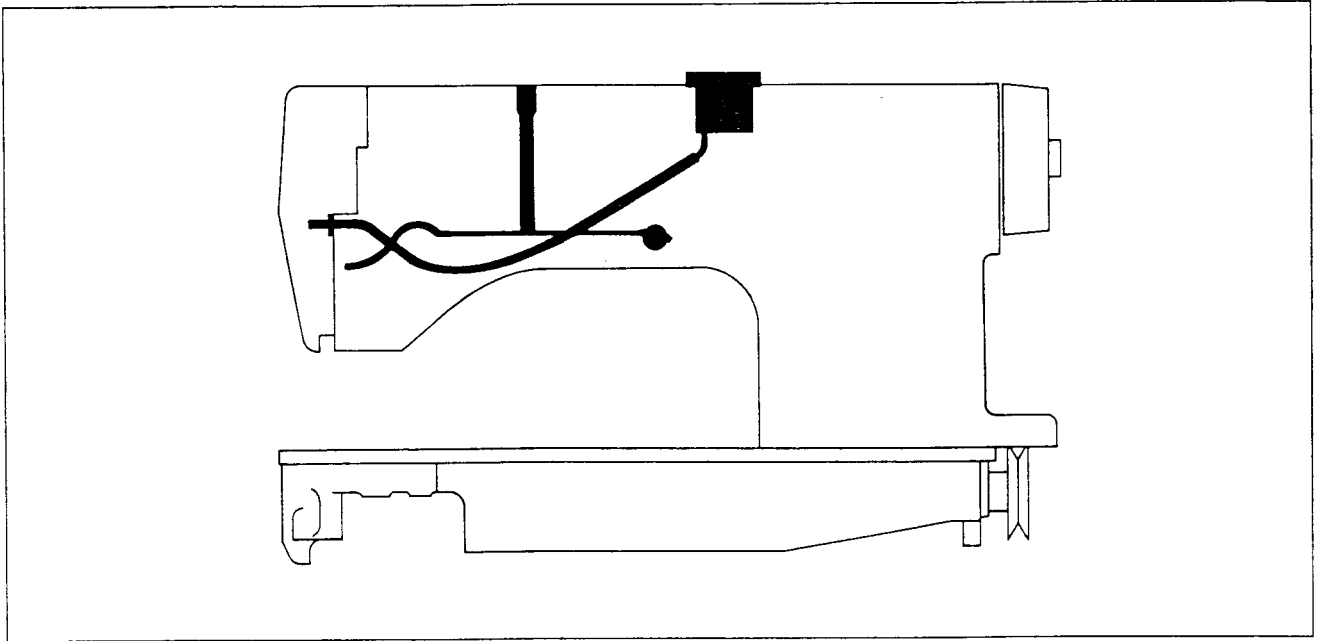
Ref. No.	Part No. For Ordering	Description	Amt. Req.
1	518 231	Thread Guide cpl.	
2	518 059	Thread Guide	
3	518 064	Thread Stop	2
4	500 471-850	Screw (Fillister Head)	2
5	518 063	Thread Guide	
6	518 066	Washer	3
7	512 008	Washer	
8	500 115-850	Screw (Fillister Head)	4
9	500 505-819	Screw (Hexagon Head)	
10	512 062	Thread Guide	
11	518 065	Thread Guide	
12	182 514-850	Hexagon Nut	
13	000 808-833	Screw (Fillister Head)	
14	518 007	Fork Guide cpl.	
15	518 116	Foam Cushion	2
16	000 624-833	Set Screw	
17	500 435-850	Screw (Cylinder Head)	3
18	204 925	Washer	2
19	500 405-850	Screw (Cylinder Head)	
20	518 156	Connecting Rod cpl.	
21	512 750	Retaining Ring	
22	518 129	Slide Block	
23	500 251-850	Screw (Fillister Head)	
24	518 054	Eccentric Stud 782 D 100	
25	518 055	Eccentric Stud 782 D 300	
26	518 222	Needle Bar	
27	003 651-161	Needle	2
28	512 756	Needle Bar Frame cpl.	
29	001 036-830	Set Screw	
30	518 228	Needle Bar Bushing cpl.	
31	518 058	Finger Guard	



Ref. No.	Part No. For Ordering	Description	Amt. Req.
1	518 028	Face Plate cpl.	
2	512 946	Closing Plug	
3	000 122-850	Screw (Fillister Head)	3
4	512 793	Washer	2
5	512 894	Closing Plug	
6	513 079	Closing Plug	
7	518 133	Closing Plug	
8	518 168	Closing Plug	2
9	518 216	Cover Plate cpl.	
10	518 126	Cover Plate	
11	518 217	Spring	
12	202 603	Washer	2
13	183 130-850	Screw (Cylinder Head)	2
14	142 386	Slide cpl.	
15	142 385	Slide	
16	146 874	Leaf Spring	
17	051 282-850	Screw	
18	500 452-850	Ball Stud	3
19	513 354	Arm Shaft Cover Ring	

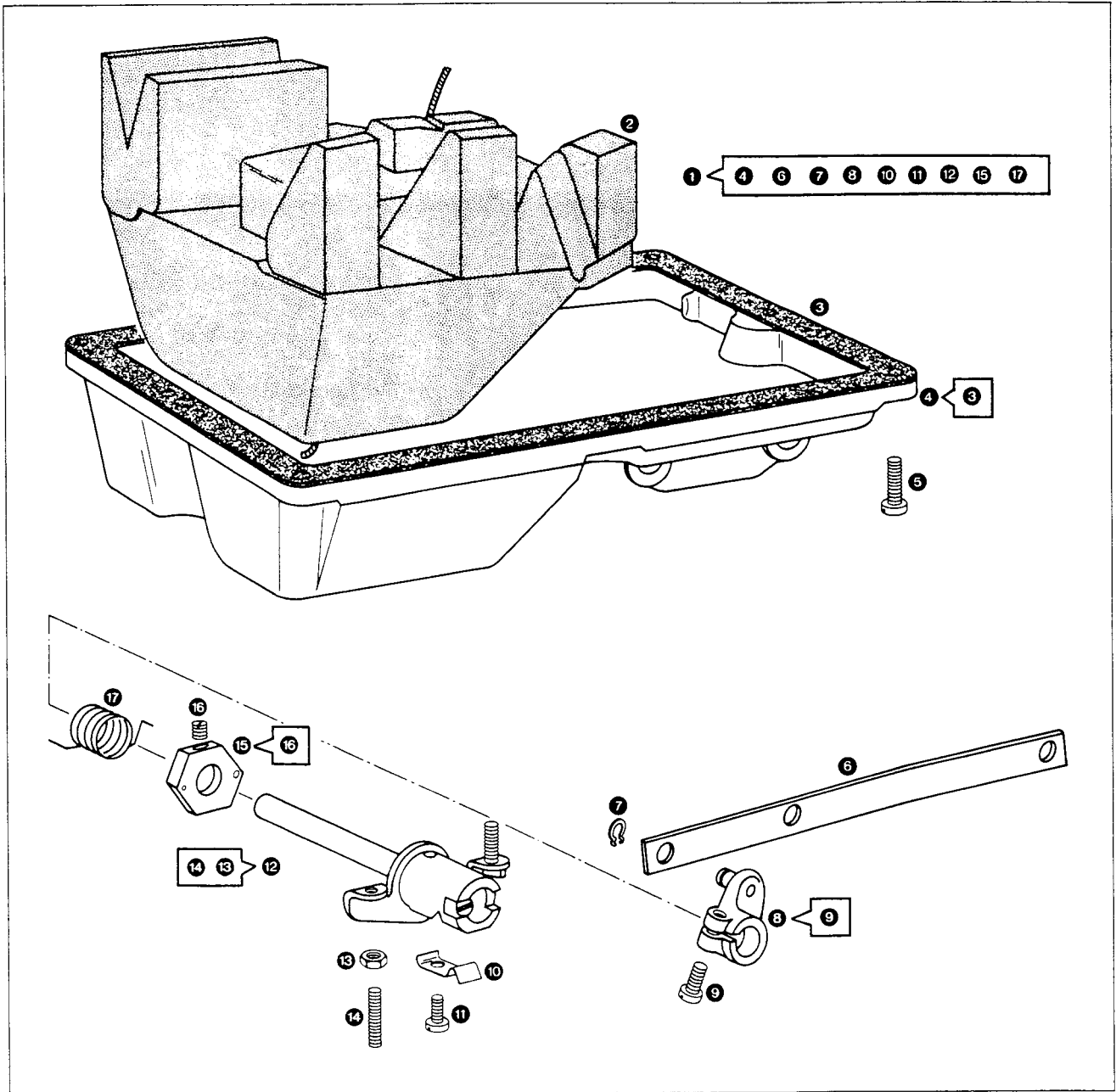
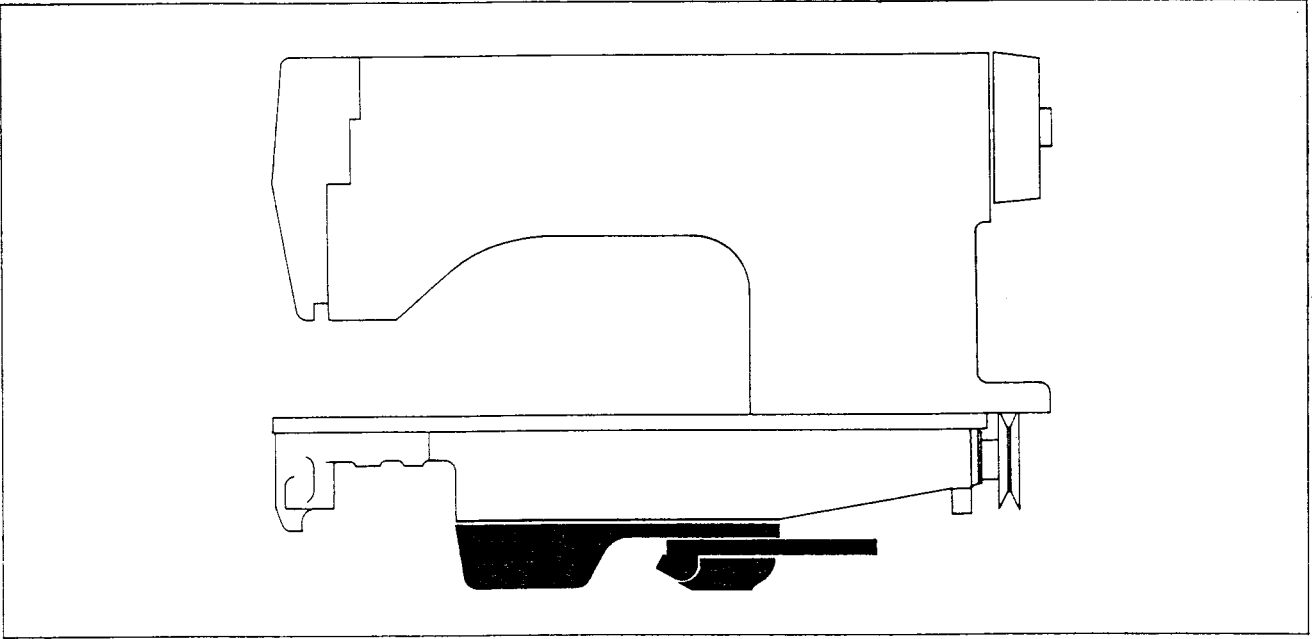


Ref. No.	Part No. For Ordering	Description	Amt. Req.
1	518 102	Oil Container cpl.	
2	500 438-833	Set Screw	
3	518 162	Oil Tube cpl.	
4	500 443-850	Countersunk Screw	
5	513 062	Leaf Spring	
6	500 455-821	Regulating Screw	
7	500 456-821	Bearing Screw	

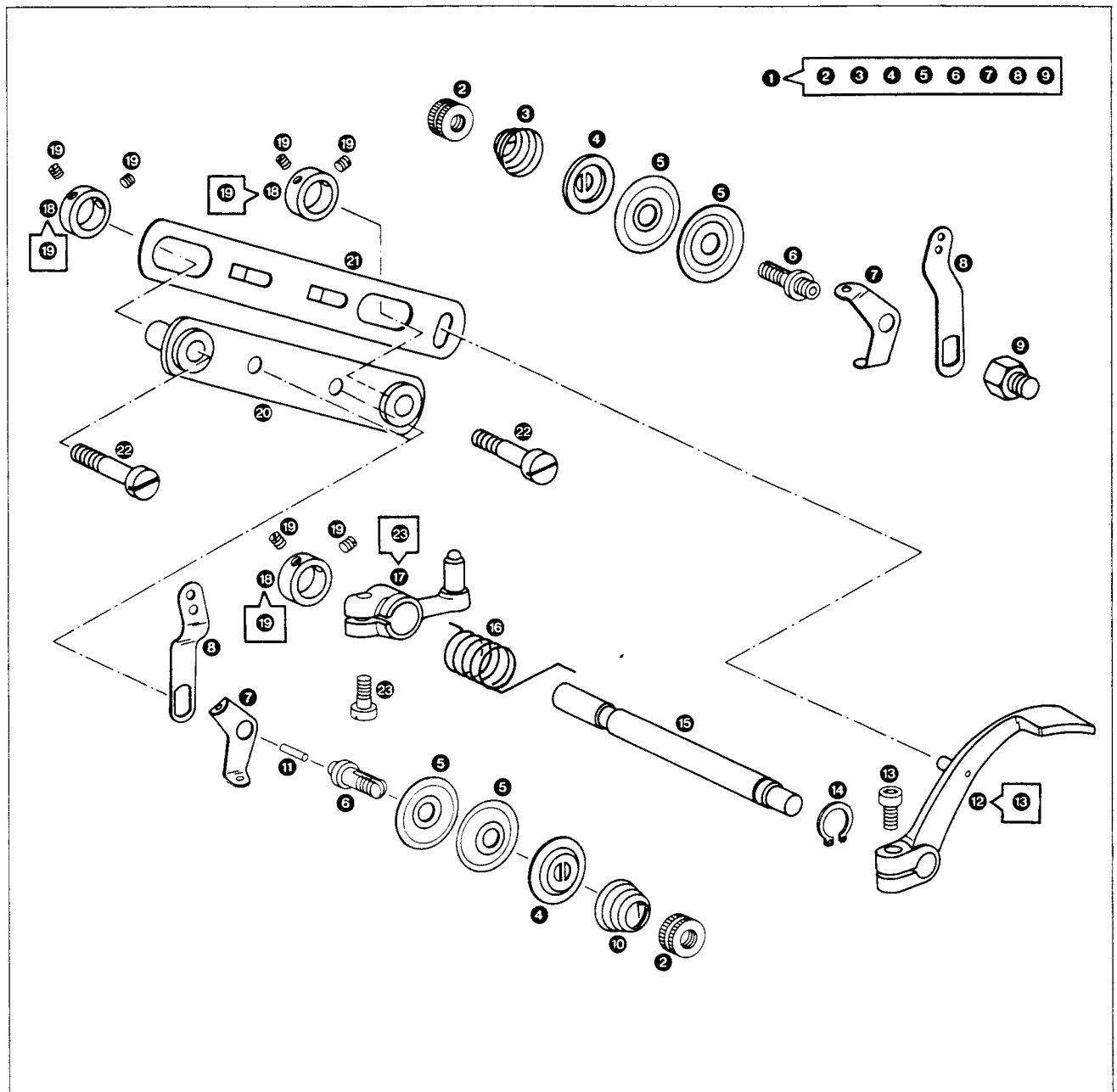
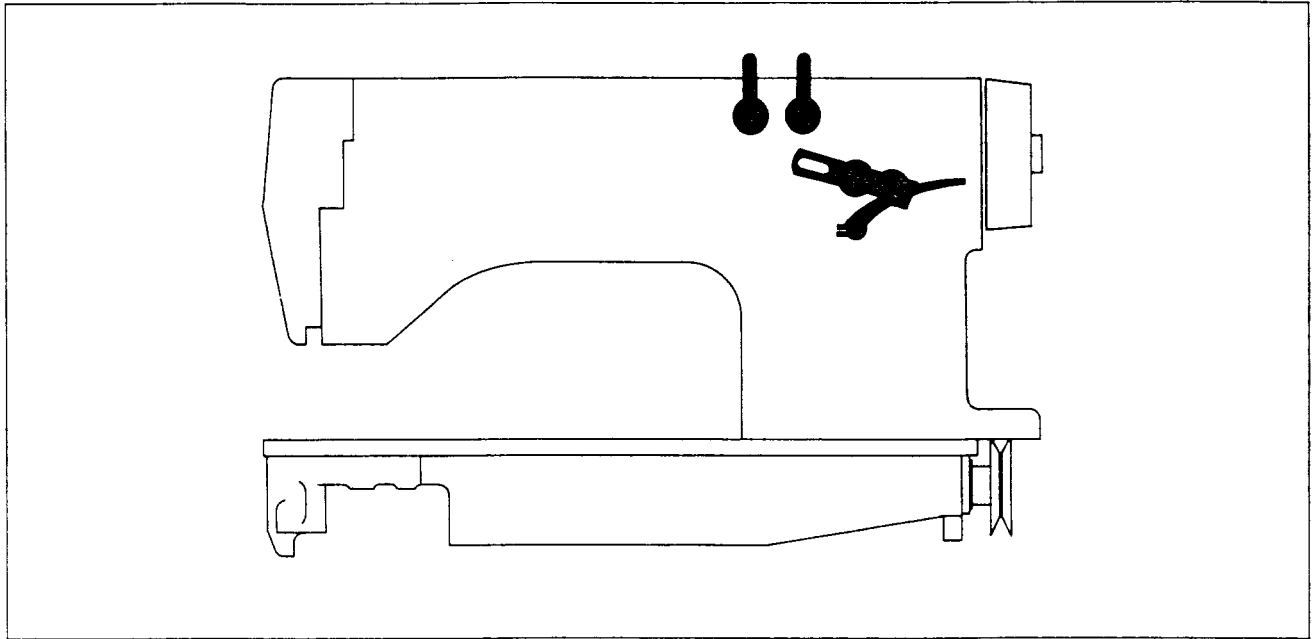




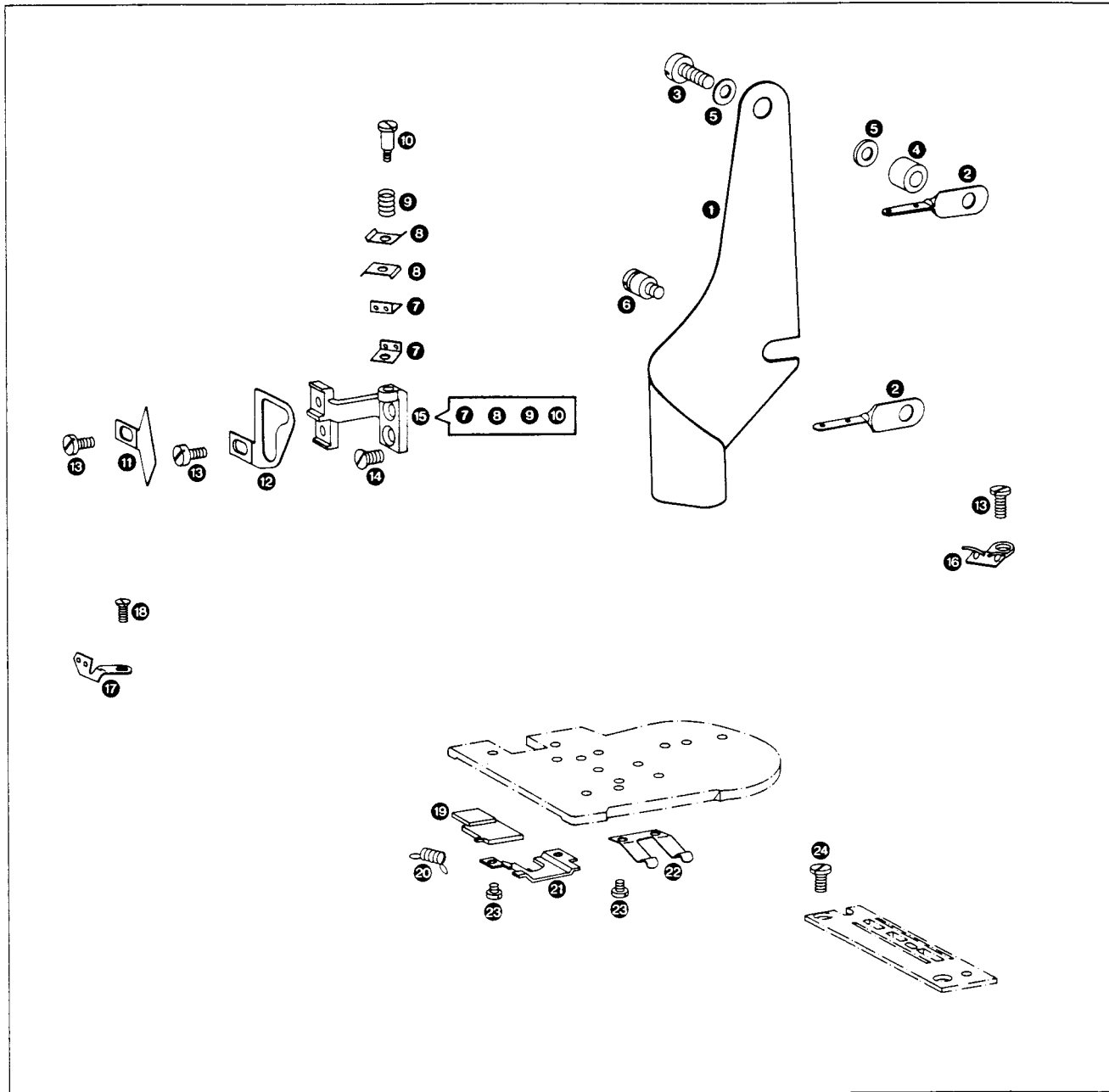
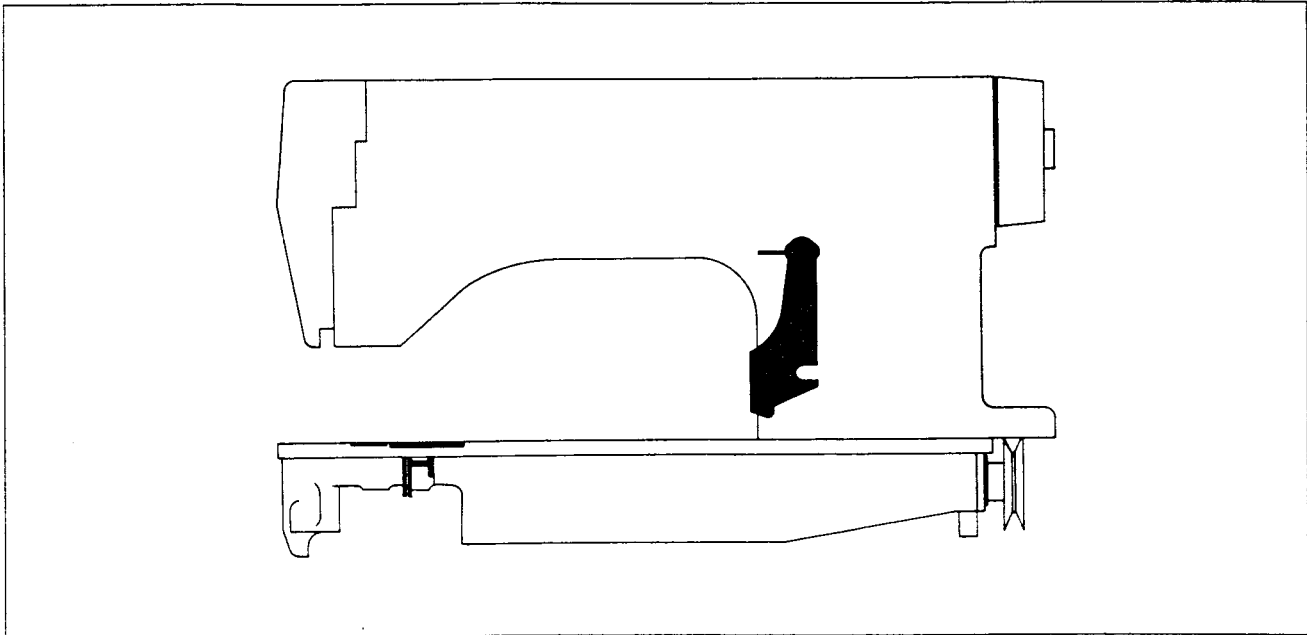
Ref. No.	Part No. For Ordering	Description	Amt. Req.
1	518 170	Bed Cover cpl.	
2	518 188	Foam Cushion cpl.	
3	518 111	Gasket	
4	518 157	Bed Cover w/Gasket	
5	500 440-850	Screw (Cylinder Head)	8
6	512 778	Connecting Rod	
7	502 802	Retaining Washer	
8	512 780	Crank cpl.	
9	001 149-850	Screw (Cylinder Head)	
10	513 213	Leaf Spring	
11	000 190-850	Screw (Fillister Head)	
12	513 211	Actuating Shaft cpl.	
13	051 775-850	Hexagon Nut	2
14	500 296-833	Set Screw	2
15	512 784	Adjusting Collar	
16	500 438-833	Set Screw	
17	512 783	Torsion Spring	



Ref. No.	Part No. For Ordering	Description	Amt. Req.
1	518 161	Looper Thread Tension cpl.	2
2	001 560-850	Tension Nut	4
3	156 376	Conical Spiral Spring	2
4	032 572	Thread Lifter Disc	4
5	002 102	Tension Disc	8
6	140 043-803	Tension Stud	4
7	156 316	Thread Guide	4
8	156 801	Thread Guide	4
9	518 047	Threaded Stud (Hex.)	2
10	202 407	Conical Spiral Spring	2
11	156 262	Cylinder Pin	2
12	518 024	Lifter Lever	
13	350 719-869	Screw (Cylinder Head)	
14	502 634	Retaining Ring	
15	518 037	Shaft	
16	518 038	Torsion Spring	
17	518 008	Actuating Lever cpl.	
18	502 739	Adjusting Collar	3
19	500 288-833	Set Screw	6
20	518 031	Thread Tension Plate cpl.	
21	518 039	Lifter Plate cpl.	
22	500 494-850	Screw (Fillister Head)	2
23	001 149-850	Pinch Screw	

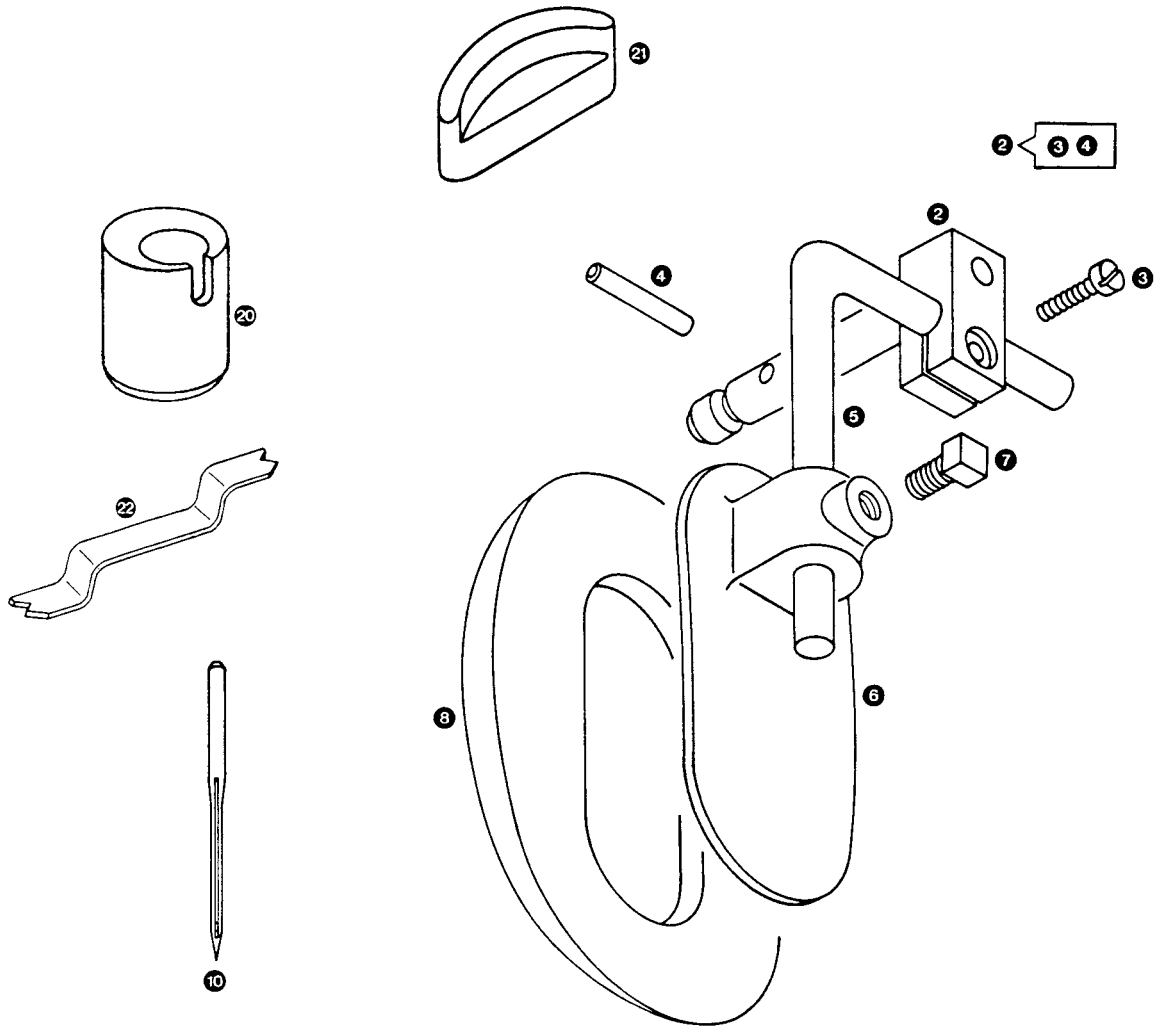
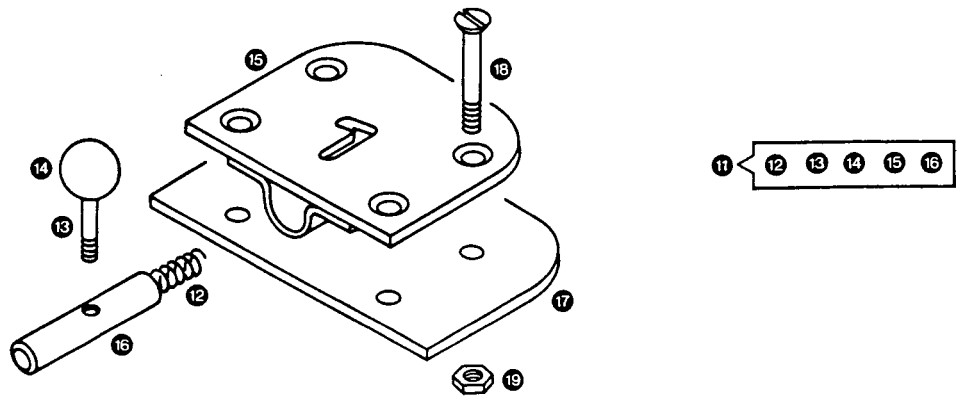


Ref. No.	Part No. For Ordering	Description	Amt. Req.
1	518 109	Thread Guard	
2	518 043	Thread Guide	2
3	500 495-850	Screw (Fillister Head)	
4	518 049	Bushing	
5	512 096	Spring Washer	2
6	500 496-850	Screw (Cylinder Head)	
7	518 045	Thread Guide	2
8	518 042	Tension Plate	2
9	156 528	Pressure Spring	
10	141 339-850	Screw w/shoulder (Fillister Head)	
11	518 119	Thread Deflector	
12	518 118	Thread Deflector	
13	500 009-850	Screw (Fillister Head)	3
14	001 319-850	Screw Countersunk (Fillister Head)	2
15	518 017	Bracket cpl.	
16	518 040	Thread Guide	
17	518 046	Thread Guide	
18	500 443-850	Screw, countersunk	
19	518 175	Lock Bolt cpl.	
20	146 690	Tension Spring	
21	146 689	Latch Guide	
22	146 691	Leaf Spring	
23	001 470-819	Screw (Cylinder Head)	
24	001 454-850	Screw (Cylinder Head)	2



## ACCESSORIES

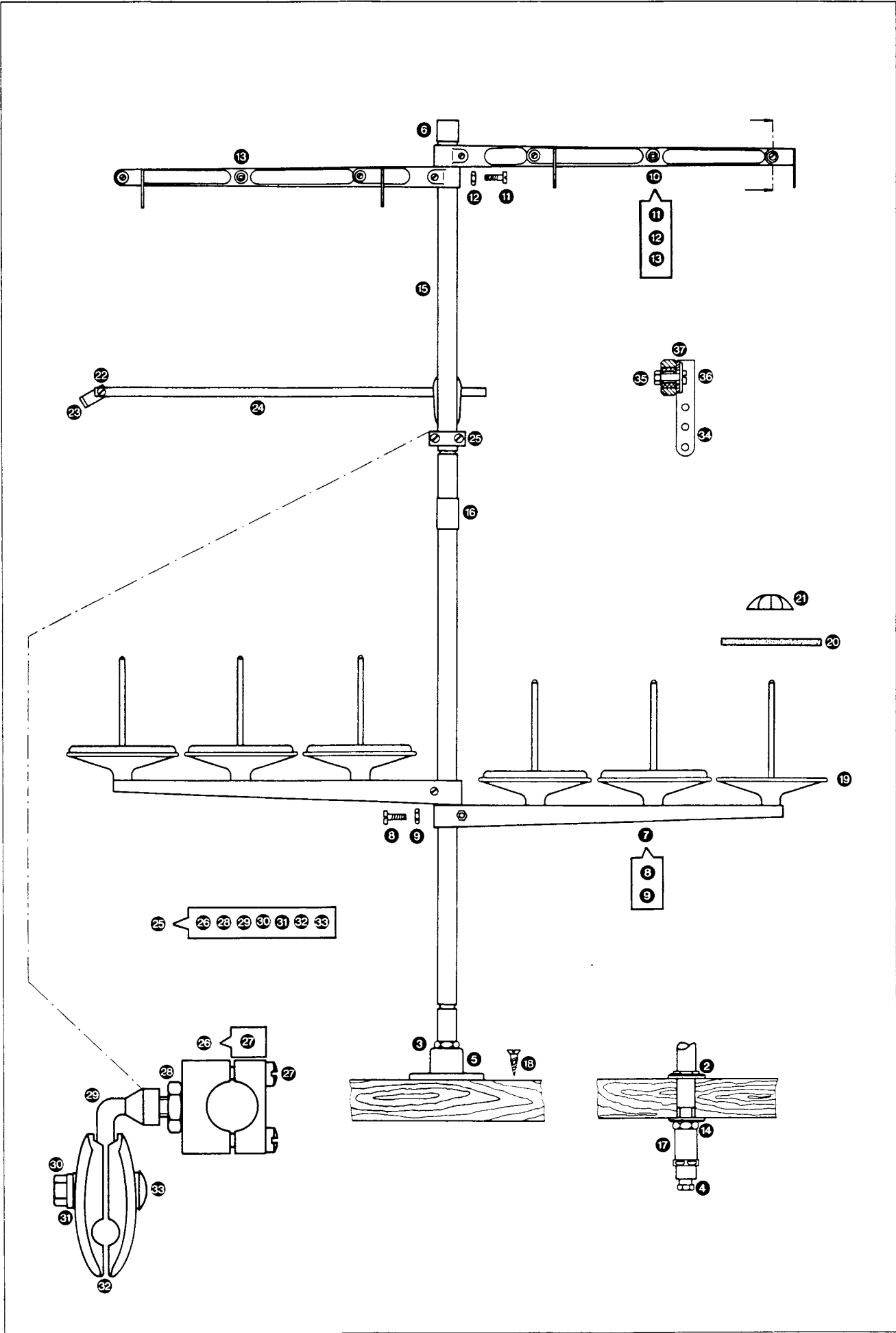
Ref. No.	Part No. For Ordering	Description	Amt. Req
2	512 788	Knee Lifter Clamp with 140 377 and 512 054	
3	140 377-850	Knee Lifter Clamp Pinch Screw	
4	512 054	Knee Lifter Clamp Pin	
5	502 583	Knee Lifter Arm	
6	228 364	Knee Lifter Plate with 350 231	
7	350 231-850	Knee Lifter Plate Set Screw	
8	150 668	Knee Lifter Plate Pad	
10	0-003 651-016	Package of Needles (5 Needles)	
11	512 962	Machine Tilting Safety Bolt cpl.	
12	263 738	Machine Tilting Safety Bolt Spring	
13	500 448-850	Machine Tilting Safety Bolt Screw	
14	512 086	Machine Tilting Safety Bolt Ball	
15	512 963	Machine Tilting Safety Bolt Guide	
16	512 964	Machine Tilting Safety Bolt	
17	512 965	Machine Tilting Safety Bolt Plate	
18	500 447-850	Machine Tilting Safety Bolt Plate Screw	4
19	51 775-850	Machine Tilting Safety Bolt Plate Nut	4
20	512 797	Rubber Pivot Cushion	3
21	513 305	Machine Rest Pad	
22	518 167	Hook Setting Gage	





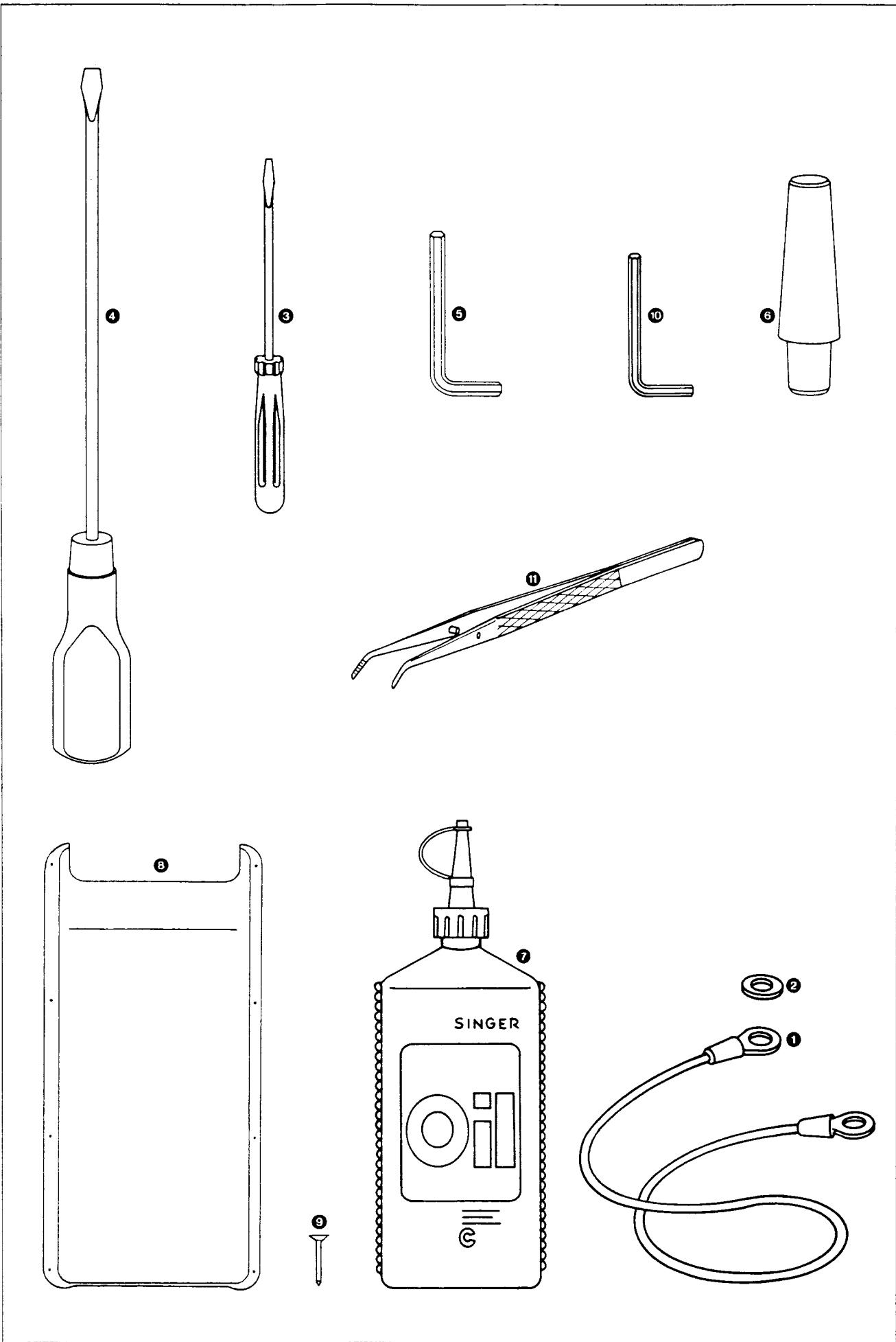
## ACCESSORIES

Ref. No.	Part No. For Ordering	Description	Amt. Req.
1	517 760	Thread Unwinder cpl. Nos. 263471, 511908, 512094, 517528, 517531, 517532, 517536, two each 512093, 517529, 517530 and three each 511591, 517533, 517534 and 517535	
2	263471	Thread Unwinder Rod Retaining Ring	
3	511908-850	Thread Unwinder Rod Nut	
4	512094	Thread Unwinder Screwed Gland	
5	517528	Thread Unwinder Foot	
6	517531	Thread Unwinder Rod Cap	
7	517532	Thread Unwinder Spool Carrier Arm with 511584 and 511901	2
8	511584-850	Thread Unwinder Spool Carrier Arm Screw	2
9	511901-830	Thread Unwinder Spool Carrier Arm Nut	2
10	517536	Thread Unwinder Thread Guide with 511584, 511901 and three 517537	2
11	511584-850	Thread Unwinder Thread Guide Screw	2
12	511901-830	Thread Unwinder Thread Guide Nut	
13	517537	Thread Unwinder Thread Guide Bushing	6
14	512093	Thread Unwinder Rod Washer	2
15	517529	Thread Unwinder Rod	2
16	517530	Thread Unwinder Rod Connection	
17	517530	Thread Unwinder Plain Coupler	
18	511591-819	Thread Unwinder Wood Screw	3
19	517533	Thread Unwinder Spool Carrier Plate	3
20	517534	Thread Unwinder Spool Cushion	3
21	517535	Thread Unwinder Spool Holder	3
22	000164-850	Screw, Fillister Hd.	
23	150058	Thread Guide cpl.	
24	156585	Rod	
25	517761	Bracket w/Clamp cpl.	
26	517759	Bracket cpl.	
27	140443-850	Screw, Fillister Hd.	2
28	001608-819	Hex. Nut	
29	140977-819	Ball Bracket	
30	929058-505	Hex. Nut	
31	014017	Washer	
32	625081-501	Clamp	2
33	051234-819	Screw	
34	244729	Thread Guide	4
35	511909-805	Hex. Nut	4
36	511504-833	Screw	4
37	506770	Washer	4



## ACCESSORIES

Ref. No.	Part No. For Ordering	Description	Amt. Req.
1	603271	Machine Grounding Wire	
2	512021	Machine Grounding Wire Lock Washer	
3	228476	Screw Driver	
4	120440	Screw Driver	
5	239353	Socket Wrench (5/32")	
6	225491	Machine Rest Pin	
7	517603	Oiler cpl. with Spout and Oil (0.25 ltr.)	
8	503869	Drip Pan	
9	512092	Drip Pan Nail	8
10	267 242	Socket Wrench (3/32")	
11	518 176	Pinzette	

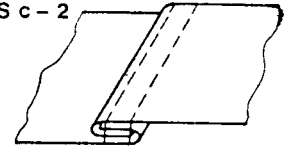


## Fittings and Attachments Set No.: 0-518 921-316

## D100 CA

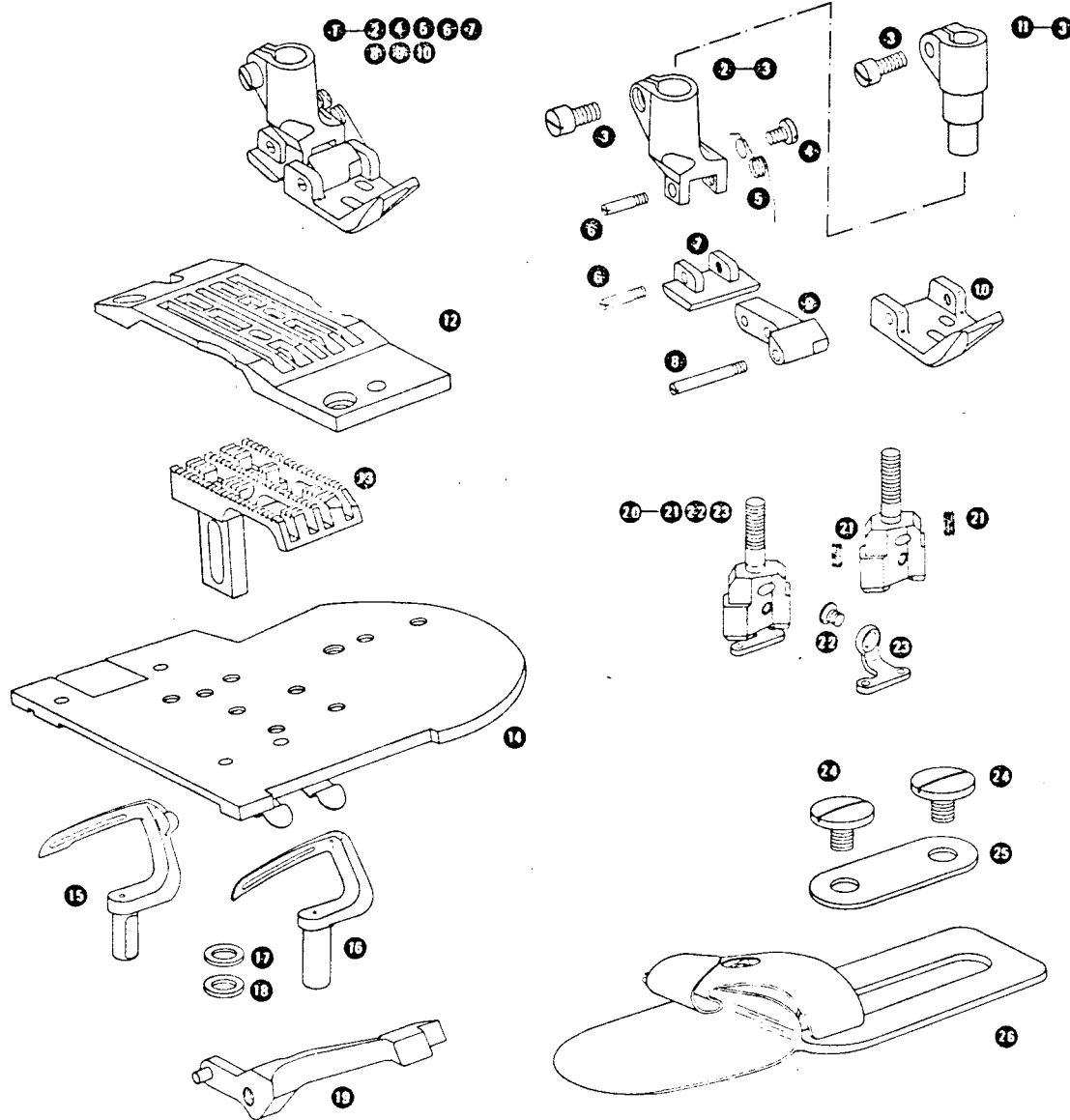
**Application:** Joining operations (lap seaming) of shirts, shorts, work and leisure garments made of light to medium weight fabrics.

**Seam Type:** LS c-2



**Stitch Range:** max. 6 SPI (4,2mm)

**Needle Gauge** = 1/4" (6,4mm)



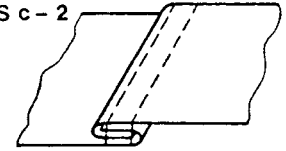
Ref. No.	Part No.	Description	Ref. No.	Part No.	Description
1	0-518 544-016	Presser Foot (triple hinged) compl. No. 50 Needle Hole (1,75mm)	16	0-518 203-000	Looper (front)
2	0-157 195-000	Presser Foot Shank with 0-350 783-833	17	0-518 139-000	Spacer (.012")
3	0-350 783-833	Screw	18	0-518 140-000	Spacer (.020")
4	0-051 167-850	Screw	19	0-518 223-000	Needle Guide compl.
5	0-157 192-000	Presser Foot Plate (back) Spring	20	0-518 230-016	Needle Holder compl.
6	0-141 331-833	Presser Foot Hinge Screw	21	0-001 498-850	Screw
7	0-518 548-000	Presser Foot Plate (back)	22	0-140 082-850	Screw
8	0-141 401-833	Presser Foot Hinge Screw	23	0-518 229-000	Needle Clamp Thread Guide
9	0-518 546-000	Presser Foot Plate Connection	24	0-109 051-823	Screw
10	0-518 545-016	Presser Foot Plate (front) No. 50 Needle Hole (1,75mm)	25	0-156 058-000	Lap Seam Feller Clamping Plate
11	0-518 515-000	Adapter with 0-350 783-833	26	0-157 056-506	Lap Seam Feller compl. 1/16" Capacity for 16 Ga.
12	0-518 542-016	Throat Plate No. 50 Needle Hole (1,75mm)			
13	0-518 543-000	Feed Dog (12 teeth per inch)			
14	0-518 501-000	Bed Slide Cpl. (right)			

## Fittings and Attachments Set No.: 0-518 921-312

# D100 CA

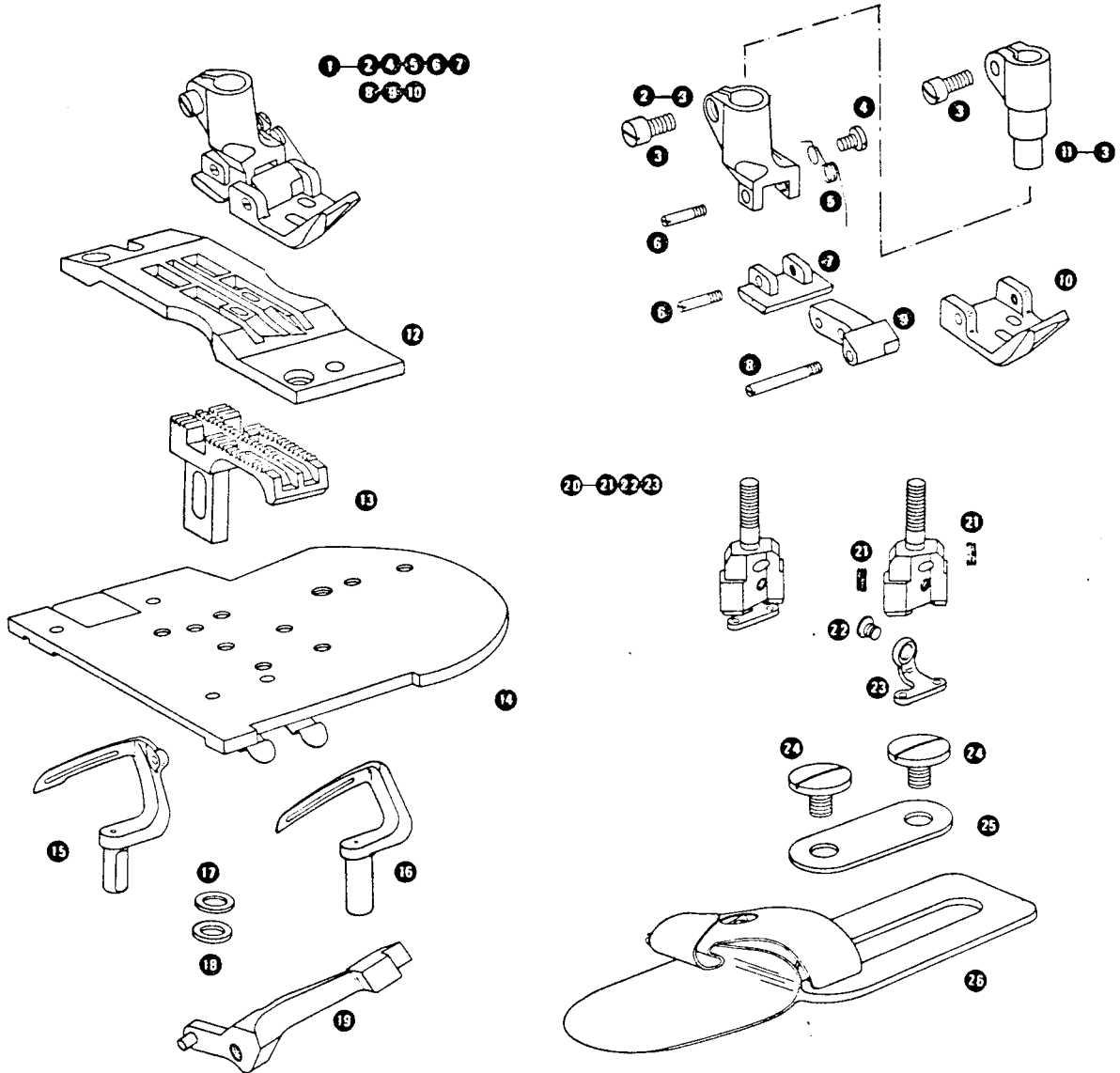
**Application:** Joining operations (lap seaming) of shirts, shorts, work and leisure garments made of light to medium weight fabrics.

**Seam Type:** LS c-2



Stitch Range: max. 6 SPI (4,2mm)

Needle Gauge = 3/16" (4,8mm)



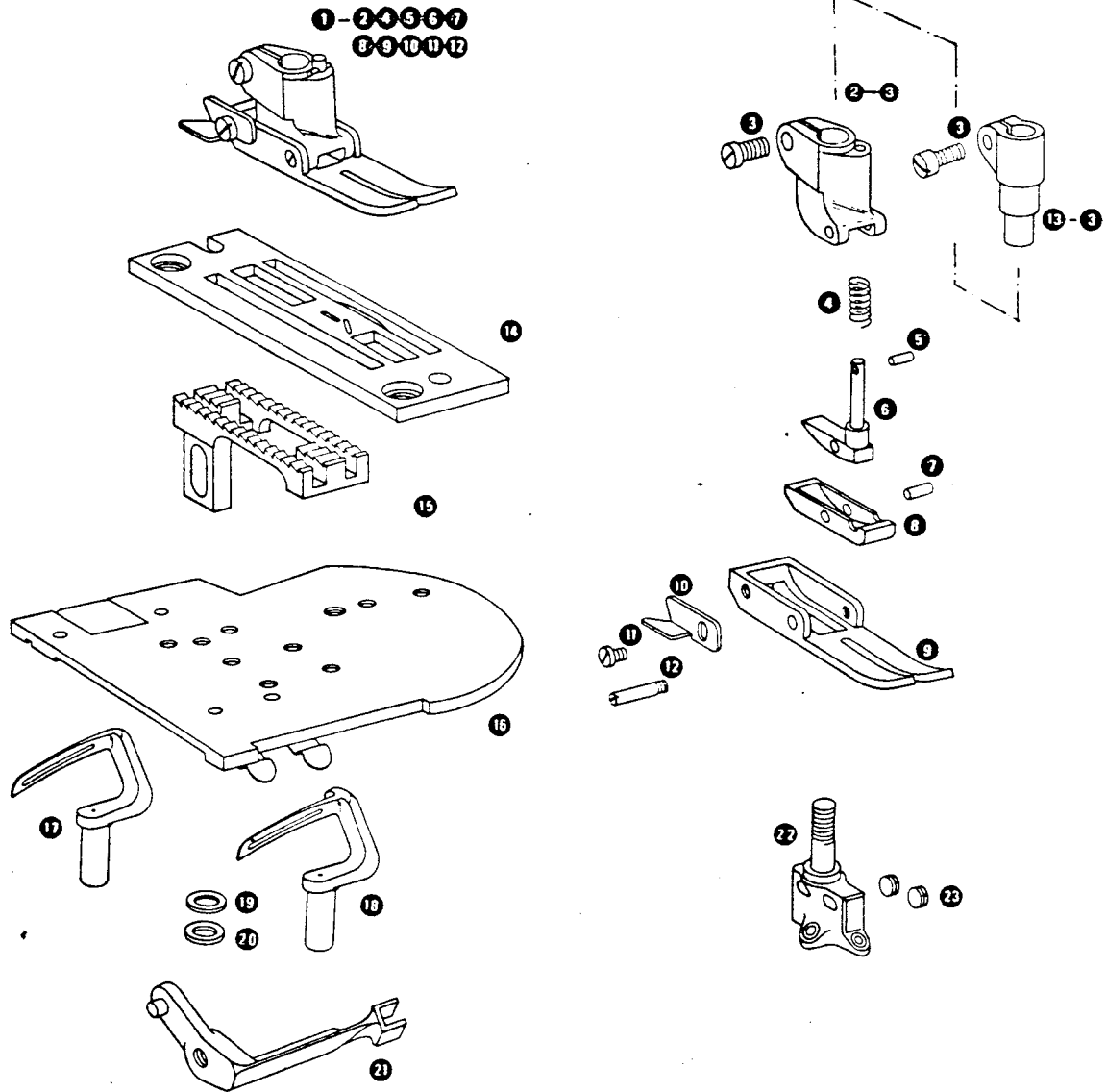
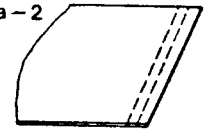
Ref. No.	Part No.	Description	Ref. No.	Part No.	Description
1	0-158 270-012	Presser Foot (triple hinged) compl. No. 50 Needle Hole (1,75mm)	16	0-518 204-000	Looper (front)
2	0-157 195-000	Presser Foot Shank with 0-350 783-833	17	0-518 139-000	Spacer (.012")
3	0-350 783-833	Screw	18	0-518 140-000	Spacer (.020")
4	0-051 167-850	Screw	19	0-518 223-000	Needle Guide compl.
5	0-157 192-000	Presser Foot Plate (back) spring	20	0-518 230-012	Needle Holder compl.
6	0-141 331-833	Presser Foot Hinge Screw	21	0-001 498-850	Screw
7	0-157 191-000	Presser Foot Plate (back)	22	0-140 082-850	Screw
8	0-141 401-833	Presser Foot Hinge Screw	23	0-518 229-000	Needle Clamp Thread Guide
9	0-157 194-012	Presser Foot Plate Connection	24	0-109 051-823	Screw
10	0-157 193-012	Presser Foot Plate (front) No. 50 Needle Hole (1,75mm)	25	0-156 058-000	Lap Seam Feller Clamping Plate
11	0-518 515-000	Adapter with 0-350 783-833	26	0-157 056-505	Lap Seam Feller compl. 1/16" Capacity for 12 Ga.
12	0-518 550-000	Throat Plate No. 50 Needle Hole (1,75mm)			
13	0-518 551-000	Feed Dog (15 teeth per inch)			

**Application:** Inseaming and side seaming light to medium weight trousers as well as general purpose seaming of bed sheets, spreads etc.

**Seam Type:** ssa-2

See page 2 for additional fittings which can be combined with Set No. 0-518 923-004

**Stitch Range:** 10-18 SPI (1,4-2,6mm) **Needle Gauge:** 1/64" (0,4 mm) x 1/4" (6,4 mm)



Ref. No.	Part No.	Description	Ref. No.	Part No.	Description
1	0-158 321-000	Presser Foot with Yielding Plate (short) toe with knife) compl. No. 41 Needle Hole (2,4mm)	15	0-158 214-000	Feed Dog (10 teeth per inch)
2	0-157 392-000	Presser Foot Shank with 0-350 783-833	16	0-518 502-000	Bed Slide Cpl. (right)
3	0-350 783-833	Screw	17	0-518 205-000	Looper (back)
4	0-157 396-000	Presser Foot Yielding Plate Plunger Spring	18	0-518 206-000	Looper (front)
5	0-157 397-000	Presser Foot Yielding Plate Plunger Stop Pin	19	0-518 139-000	Spacer (.012")
6	0-157 395-000	Presser Foot Yielding Plate Plunger	20	0-518 140-000	Spacer (.020")
7	0-157 394-000	Presser Foot Yielding Plate Hinge Pin	21	0-518 235-000	Needle Guide compl.
8	0-158 319-000	Presser Foot Yielding Plate	22	0-518 237-000	Needle Holder compl.
9	0-158 264-000	Presser Foot Plate	23	0-001 498-850	Screw
10	0-156 105-000	No. 41 Needle Hole (2,4mm)			
11	0-000 240-850	Presser Foot Knife			
12	0-350 810-833	Presser Foot Hinge Screw			
13	0-518 515-000	Adapter with 0-350 783-833			
14	0-518 538-000	Throat Plate			

# SINGER

INDUSTRIAL PRODUCTS

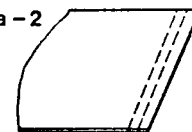
# 782

# D 310CA

## Fittings and Attachments

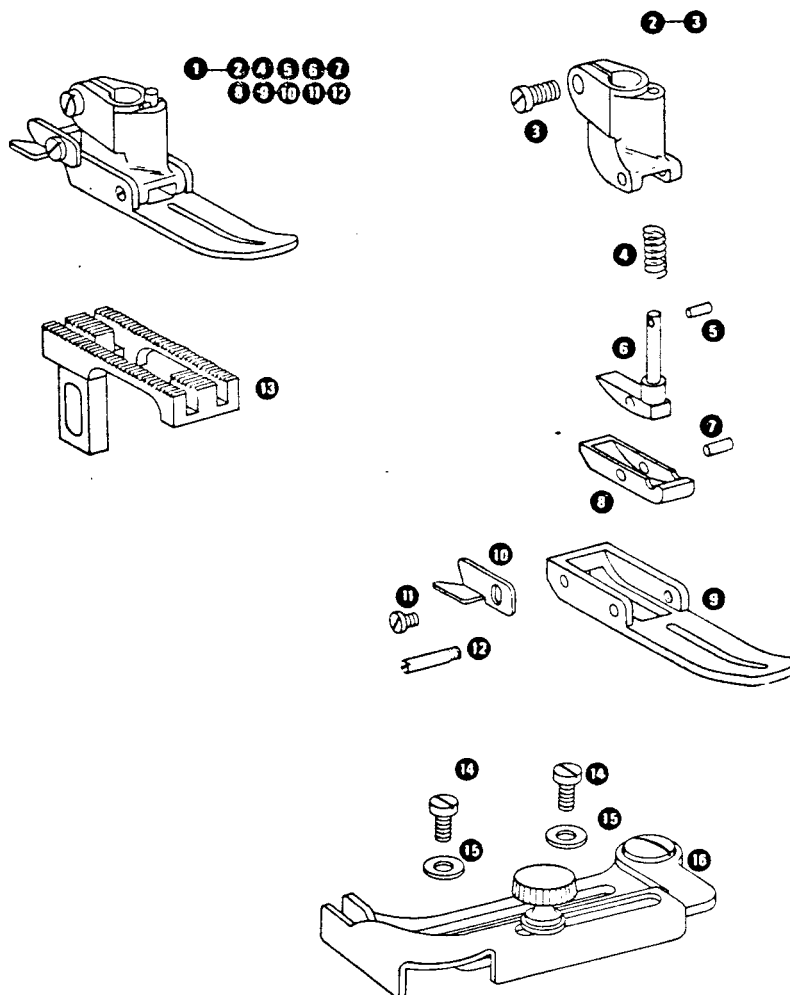
Application:

Seam Type: SSa-2



Additional fittings for Set No. 0-518 923-004

Stitch Range: 10 -18 SPI (14 -2,6mm) Needle Gauge 1/64" (0,4 mm) x 1/4" (6,4 mm)



Ref. No.	Part No.	Description	Ref. No.	Part No.	Description
1	0-158 320-000	Presser Foot with Yielding Plate (closed toe with knife) compl. No. 41 Needle Hole (2,4mm)	15	0-007 071-000	Washer
2	0-157 392-000	Presser Foot Shank with 0-350 783-833	16	0-120 428-000	Guide (adjustable, hinged) compl.
3	0-350 783-833	Screw			
4	0-157 396-000	Presser Foot Yielding Plate Plunger Spring			
5	0-157 397-000	Presser Foot Yielding Plate Plunger Stop Pin			
6	0-157 395-000	Presser Foot Yielding Plate Plunger			
7	0-157 394-000	Presser Foot Yielding Plate Hinge Pin			
8	0-158 319-000	Presser Foot Yielding Plate			
9	0-158 263-000	Presser Foot Plate No. 41 Needle Hole (2,4mm)			
10	0-156 105-000	Presser Foot Knife			
11	0-000 240-850	Screw			
12	0-350 814-833	Presser Foot Hinge Screw			
13	0-158 213-000	Feed Dog (22 teeth per inch)			
14	0-000 207-850	Screw			