

SINGER
491D200GA,D300GA

MACHINE PARTS CHART

for

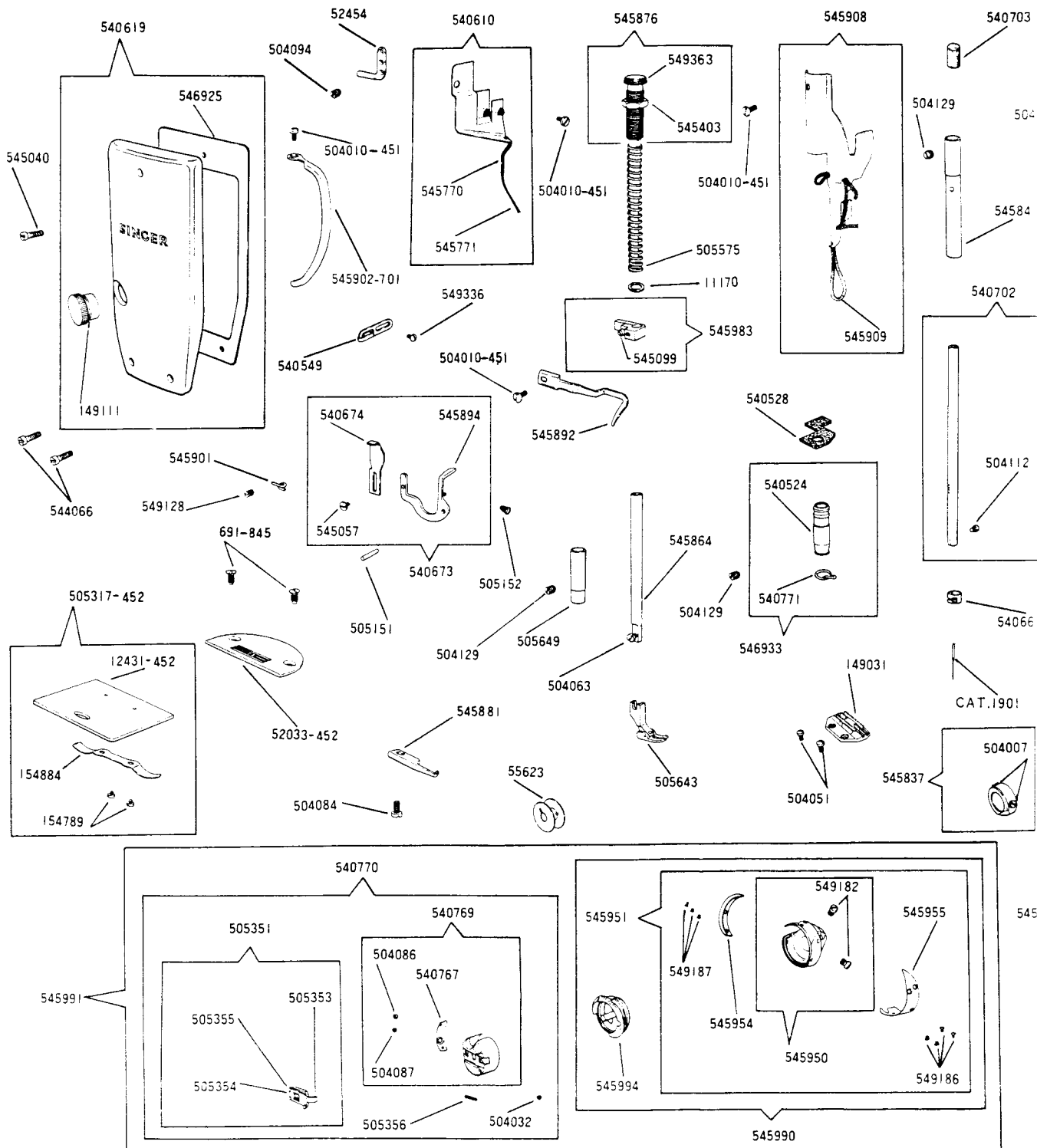
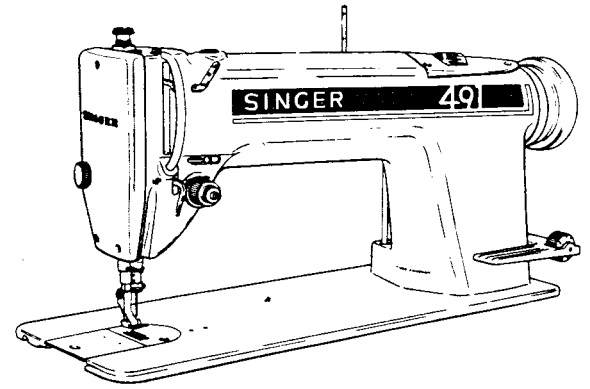
SINGER*

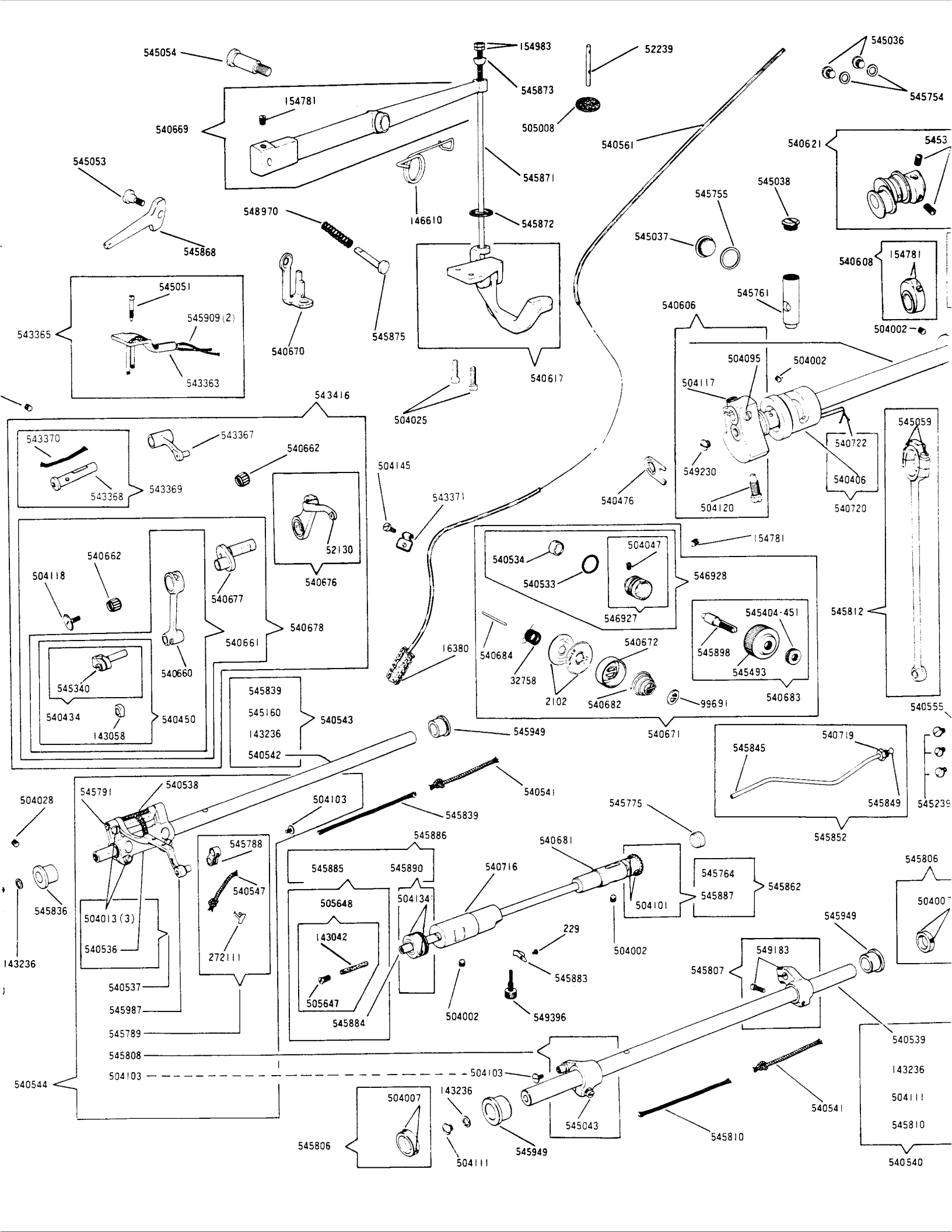
491 D200GA

491 D300GA

SINGER*

491D





NUMERICAL LIST OF PARTS FOR MACHINE 491D200GA

<u>PART NO.</u>	<u>DESCRIPTION</u>	<u>PART NO.</u>	<u>DESCRIPTION</u>
229 (805)	Rotating Hook Oil Flow Regulating Thumb Screw Spring Screw	504134 (850)	Feed Reverse Lever Hinge Stud Collar Set Screw
691-845	Throat Plate Screw (2)	504134 (850)	Rotating Hook Shaft Oil Retaining Collar Set Screw (2)
2102	Tension Disc (2)	504145 (809)	Oil Removing Tube Retaining Clamp Screw
11170	Presser Bar Spring Washer	505001	Arm Dowel Pin (2)
12431-452	Bed Slide	505008	Arm Spool Pin Washer (felt)
16380	Oil Removing Lint Screen	505151	Tension Releasing Lever Hinge Pin
32758	Thread Take-up Spring	505152	Tension Releasing Lever Spring
52033-452	Throat Plate (small needle hole) for 149031	505317-452	Bed Slide complete, Nos. 12431-452, 154884 and two 154789
52130	Thread Take-up Lever Thread Eyelet Bushing	505351	Rotating Hook Bobbin Case Hinge, Nos. 505353, 505354 and 505355
52239	Arm Spool Pin and Thread Eyelet	505353	Rotating Hook Bobbin Case Latch
52454	Thread Retainer	505354	Rotating Hook Bobbin Case Latch Lever
55623	Rotating Hook Bobbin	505355	Rotating Hook Bobbin Case Latch Lever Fulcrum Pin
99691	Tension Regulating Thumb Nut Washer	505356	Rotating Hook Bobbin Case Latch Spring
143042	Rotating Hook Shaft Oil Filter Wick (felt)	505575	Presser Bar Spring
143058	Needle Bar Connecting Stud Slide Block	505643	Presser Foot (spring hinged) complete
143236	Feed Lifting Rock Shaft Oil Plug Screw Washer	505647	Rotating Hook Shaft Oil Filter Wick Holder
143236	Feed Rock Shaft Oil Plug Screw Washer	505648	Rotating Hook Shaft Oil Filter complete, Nos. 143042 and 505647
146610	Presser Bar Lifting Lever Spring	505649	Presser Bar Bushing (lower)
149031	Feed Dog 19 teeth (22 teeth per inch)	504066	Arm Shaft (horizontal) Flanged Bushing (front)
149111	Face Plate Plug	5040434	Needle Bar Connecting Stud with 545340
154781 (850)	Arm Shaft (horizontal) Thrust Collar Set Screw (2)	504050	Needle Bar Connecting Stud 540434 with 143058
154781 (850)	Presser Bar Lifting Lever Pin Set Screw	504076	Thread Take-up Crank Wearing Plate
154781 (850)	Thread Take-up Spring Regulator Set Screw	540524	Needle Bar Bushing (lower)
154789 (809)	Bed Slide Spring Screw (2)	540528	Needle Bar Bushing (lower) Felt
154884	Bed Slide Spring	540533	Thread Take-up Spring Regulator O-ring
154983 (819)	Presser Bar Lifting Lever Connecting Rod Nut (2)	540534	Thread Take-up Spring Regulator Rubber Cap
272111	Feed Bar Connecting Link Oil Wick Clamp	540536	Feed Bar Carrier
504002 (850)	Arm Shaft (horizontal) Bushing (center) Set Screw	540537	Feed Bar Carrier 540536 with three 504013
504002 (850)	Arm Shaft (horizontal) Flanged Bushing (back) Set Screw	540538	Feed Bar Carrier Oil Wick (felt)
504002 (850)	Arm Shaft (horizontal) Flanged Bushing (front) Set Screw	540539	Feed Lifting Rock Shaft
504002 (850)	Rotating Hook Shaft Bushing (back) Set Screw	540540	Feed Lifting Rock Shaft complete, Nos. 143236, 504111, 540539 and 545810
504002 (850)	Rotating Hook Shaft Bushing (front) Set Screw	540541	Feed Lifting Rock Shaft Oil Wick (outer) (cotton)
504002 (850)	Thread Take-up Lever Link Hinge Stud Set Screw	540541	Feed Rock Shaft Oil Wick (outer) (cotton)
504007 (850)	Feed Lifting Rock Shaft Collar Set Screw (4)	540542	Feed Rock Shaft
504007 (850)	Feed Rock Shaft Collar Set Screw (2)	540543	Feed Rock Shaft complete, Nos. 143236, 540542, 545160 and 545839
504010-451	Arm Side Shield Screw	540544	Feed Bar complete, Nos. 540537, 540538, 545789, 545791, 545808, 545987 and two 504103
504010-451	Oil Removing Pump Piston Spring Bracket Set Screw	540547	Feed Bar Connecting Link Oil Wick (cotton)
504010-451	Slack Thread Regulator Screw	540549	Thread Guard (side of arm)
504010-451	Thread Take-up Lever Guard Screw	540551	Arm Shaft (upright)
504013 (850)	Thread Take-up Lever Oil Guard Screw	540553	Oil Removing Pump (body)
504013 (850)	Feed Bar Carrier Clamping Screw (2)	540555	Oil Removing Pump Bracket
504013 (850)	Feed Bar Hinge Pin Clamping Screw	540556	Oil Removing Pump Piston
504025 (850)	Bell Crank Bracket Set Screw (2)	540557	Oil Removing Pump Piston Spring Bracket
504028 (850)	Feed Rock Shaft Flanged Bushing (front) Set Screw	540561	Oil Removing Tube
504029 (833)	Feed Rock Shaft Driving Link Frame Hinge Pin Set Screw	540606	Arm Shaft (horizontal) and Needle Bar Crank with 504095, 504117, 504120 and 549230
504032 (805)	Rotating Hook Bobbin Case Latch Stop Screw	540608	Arm Shaft (horizontal) Thrust Collar with two 154781
504047 (833)	Tension Stud Set Screw	540610	Arm Side Shield with 545770 and 545771
504051 (850)	Feed Dog Screw (2)	540612	Arm Top Cover with 540665 and 545773
504051 (850)	Feed Regulating Dial Stopper Screw	540617	Bell Crank complete
504063 (809)	Presser Foot Screw	540619	Face Plate with 149111 and 546925
504064 (805)	Arm Screw (intermediate)	540621	Feed and Feed Lifting Eccentric with two 545313
504066 (833)	Arm Shaft (horizontal) Bevel Gear Set Screw (2)	540623	Feed Regulating Dial with 545492, 540689 and 504134
504071 (810)	Oil Pump (centrifugal) (body) Screw (3)	540624	Feed Regulating Dial Lock Pin
504084 (810)	Rotating Hook Bobbin Case Holder Position Bracket Screw	540625	Feed Regulating Dial Lock Pin Spring
504086 (806)	Rotating Hook Bobbin Case Tension Regulating Screw	540625	Oil Removing Pump Piston Spring
504087 (806)	Rotating Hook Bobbin Case Tension Spring Screw	540626	Feed Regulating Plate
504094 (833)	Thread Retainer Set Screw	540628	Feed Reverse Lever with 545046
504095 (850)	Thread Take-up Crank Set Screw	540629	Feed Reverse Lever complete, Nos. 504051, 540623, 540624, 540625, 540628, 540690, 549382 and 549383
504099 (809)	Arm Top Cover Screw (4)	540630	Feed Reverse Lever Hinge Stud
504101 (850)	Arm Shaft (upright) Bevel Gear (lower) Set Screw (2)	540631	Feed Reverse Lever Hinge Stud 540630 with 545047 and 545825
504101 (850)	Rotating Hook Shaft Bevel Gear Set Screw (2)	540633	Feed Reverse Lever Hinge Stud Collar with 504134
504101 (850)	Arm Shaft (upright) Bevel Gear (upper) Set Screw (2)	540635	Feed Reverse Lever Hinge Stud Crank with 549183
504103 (803)	Feed Bar Connecting Link Cap Screw (2)	540636	Feed Reverse Lever Hinge Stud Crank Connecting Link
504111 (809)	Feed Lifting Rock Shaft Oil Plug Screw	540637	Feed Reverse Lever Hinge Stud Flanged Bushing
504112 (850)	Needle Set Screw	540639	Feed Reverse Lever Spring
504117 (850)	Thread Take-up Crank Clamping Screw	540641	Feed Reverse Lever Spring Retainer
504113 (803)	Needle Bar Connecting Link Cap Screw	540642	Feed Reverse Lever Spring Screw Collar
504119 (850)	Machine Pulley Set Screw (2)	540644	Feed Rock Shaft Crank with 549183 and 545181
504120 (850)	Needle Bar Crank Position Screw		
504129 (850)	Needle Bar Bushing (lower) Set Screw		
504129 (850)	Needle Bar Bushing (upper) Set Screw		
504129 (850)	Presser Bar Bushing (lower) Set Screw		
50413- (850)	Feed Regulating Dial Set Screw		

NUMERICAL LIST OF PARTS FOR MACHINE 491D200GA

<u>PART NO.</u>	<u>DESCRIPTION</u>	<u>PART NO.</u>	<u>DESCRIPTION</u>
540645	Feed Rock Shaft Driving Frame complete, Nos. 540635, 540636, 540639, 540642, 540644, 540648, 540649, 540650, 540652, 548091, 549384, two each 540655, 540656, 540657 and 549288	545043 (819)	Feed Lifting Rock Shaft Crank (front) Clamping Screw
540648	Feed Rock Shaft Crank Connecting Rod with 545181 and two 545059	545046 (819)	Feed Reverse Lever Clamping Screw
540649	Feed Rock Shaft Crank Connecting Rod Pin	545047 (850)	Feed Reverse Lever Hinge Stud Cap Screw
540650	Feed Rock Shaft Crank Pin	545049 (805)	Oil Pump (centrifugal) Impeller Locking Screw
540652	Feed Rock Shaft Driving Frame with 545264 and two 545072	545050 (805)	Oil Pump (centrifugal) Screen Frame Screw (3)
540653	Feed Rock Shaft Driving Frame Hinge Pin (back)	545051 (850)	Oil Wick Holder Screw
540654	Feed Rock Shaft Driving Frame Hinge Pin (front)	545053 (850)	Presser Bar Lifter Hinge Screw
540655	Feed Rock Shaft Driving Link (large) (2)	545054 (850)	Presser Bar Lifting Lever Hinge Screw
540656	Feed Rock Shaft Driving Link (small) (2)	545057 (819)	Tension Releasing Lever Screw
540657	Feed Rock Shaft Driving Link (small) Pin (2)	545059 (810)	Feed Lifting Rock Shaft Crank (back) Connecting Rod Cap Screw (2)
540660	Needle Bar Connecting Link	545059 (810)	Feed Rock Shaft Crank Connecting Rod Cap Screw (2)
540661	Needle Bar Connecting Link 540660 with 540450	545072 (833)	Feed Rock Shaft Driving Link (small) Pin Set Screw (2)
540662	Needle Bar Connecting Link Roller Bearing	545099 (803)	Presser Bar Guide Bracket Clamping and Tension Releaser Screw
540662	Thread Take-up Lever Roller Bearing	545160 (809)	Feed Rock Shaft Oil Plug Screw
540663	Needle Bar Thread Guard	545181 (803)	Feed Rock Shaft Crank Connecting Rod Pin Set Screw
540665	Oil Flow Window	545239	Feed Rock Shaft Crank Pin Set Screw
540666	Oil Pipe	545244 (805)	Oil Removing Pump Bracket Set Screw (3)
540667	Oil Pipe complete, Nos. 540666, 545846 and 545847	545264 (804)	Feed Reverse Lever Spring Retainer Screw
540669	Presser Bar Lifting Lever with 154781	545295 (805)	Feed Rock Shaft Driving Frame Spring Stud
540670	Presser Bar Lifting Lever Link	545313 (803)	Feed Regulating Plate Screw (2)
540671	Tension complete, Nos. 32758, 99691, 540672, 540682, 540683, 540684, 546928 and two 2102	545340 (806)	Feed and Feed Lifting Eccentric Set Screw (2)
540672	Tension Releasing Disc	545403 (819)	Needle Bar Connecting Stud Clamping Screw
540673	Tension Releasing Lever (body) 545894 with 545057 and 540674	545404-451	Presser Bar Guide and Pressure Regulating Thumb Screw Lock Nut
540674	Tension Releasing Lever Segment	545492	Tension Regulating Thumb Nut Lock Nut (Spec. No. 1019)
540676	Thread Take-up Lever with 52130	545493	Feed Regulating Nut (Spec. No. 1050)
540677	Thread Take-up Crank	545753	Tension Regulating Thumb Nut (Spec. No. 1019)
540678	Thread Take-up Crank 540677 with 504118, 540661 and 540662	545754	Arm Screw (front) Washer (2)
540681	Rotating Hook Shaft Bushing (back)	545755	Arm Shaft (upright) Bevel Gear (upper) Set Screw Hole Plug Screw Gasket (2)
540682	Tension Spring	545755	Thread Take-up Crank Clamping Screw Hole Plug Screw Gasket
540683	Tension Stud 545898 with 545493 and 545404-451	545757	Arm Shaft (horizontal) Bevel Gear with two 504066
540684	Tension Releasing Pin	545758	Arm Shaft (horizontal) Bushing (center)
540689	Feed Regulating Dial Pin	545761	Arm Shaft (horizontal) Flanged Bushing (front) Oil Tube
540690	Feed Regulating Dial Stopper	545764	Arm Shaft (upright) Bevel Gear (lower) Right Hand Spiral with two 504101
540695	Machine Pulley with two 504119	545765	Arm Shaft (upright) Bevel Gear (upper) Left Hand Spiral with two 504101
540702	Needle Bar (hollow) with 504112	545766	Arm Shaft (upright) Bushing (lower)
540703	Needle Bar Bushing (upper) Felt	545767	Arm Shaft (upright) Bushing (upper)
540706	Arm Shaft (horizontal) Flanged Bushing (back)	545770	Arm Side Shield Wick Spring Holder
540707	Arm Shaft (horizontal) Flanged Bushing (back) Oil Seal	545771	Arm Side Shield Wick
540708	Arm Shaft (horizontal) Flanged Bushing (back) Ring	545773	Arm Top Cover Gasket
540714	Oil Removing Tube Retaining Spring	545775	Bed Hole Plug
540716	Rotating Hook Shaft Bushing (front)	545776	Bed Leg (long)
540718	Machine Pulley Cap	545777	Bed Leg (short) (3)
540719	Oil Pipe Clamping Sleeve Nut	545788	Feed Bar Connecting Link
540720	Arm Shaft (horizontal) Flanged Bushing (front) 540406 with Oil Drain Tube and 540722	545789	Feed Bar Connecting Link 545788 with 272111 and 540547
540722	Arm Shaft (horizontal) Flanged Bushing (front) Oil Drain Tube Tape	545791	Feed Bar Hinge Pin
540771	Needle Bar Bushing (lower) Thread Eyelet	545799	Feed Lifting Rock Shaft Crank (back) Connecting Rod Hinge Stud
540767	Rotating Hook Bobbin Case Tension Spring	545806	Feed Lifting Rock Shaft Collar with two 504007 (2)
540769	Rotating Hook Bobbin Case with 540767, 540886 and 540887	545807	Feed Lifting Rock Shaft Crank (back) with two 549183
540770	Rotating Hook Bobbin Case complete, Nos. 540432, 505351, 505356 and 540769	545808	Feed Lifting Rock Shaft Crank (front) with 545043
543363	Oil Wick Holder	545810	Feed Lifting Rock Shaft Oil Wick (cotton)
543365	Oil Wick Holder complete, Nos. 545051, 545363 and two 545909	545812	Feed Lifting Rock Shaft Crank (back) Connecting Rod with two 545059
543367	Thread Take-up Lever Link	545825	Feed Reverse Lever Hinge Stud O-ring
543368	Thread Take-up Lever Link Hinge Stud	545836	Feed Rock Shaft Flanged Bushing (front)
543369	Thread Take-up Lever Link Hinge Stud 543368 with 543370	545837	Feed Rock Shaft Collar with two 504007
543370	Thread Take-up Lever Link Hinge Stud Oil Wick (cotton)	545839	Feed Rock Shaft Oil Wick (cotton)
543371	Oil Removing Tube Retaining Clamp	545841	Needle Bar Bushing (upper)
543416	Thread Take-up Complete, Nos. 540662, 540676, 540678, 542367 and 543369	545845	Oil Pipe
544066	Face Plate Screw (lower) (2) (Spec. No. 1009)	545846	Oil Pipe Clamping Sleeve
545033 (805)	Arm Screw (back) (2)	545847 (805)	Oil Pipe Clamping Sleeve Nut
545034 (805)	Arm Screw (front) (2)	545849	Oil Pipe Clamping Sleeve
545036 (819)	Arm Shaft (upright) Bevel Gear (upper) Set Screw Hole Plug Screw (2)	545852	Oil Pipe 545845 with 545849 and 540719 for Oiling Rotating Hook Shaft Bearing (front) 540716
545037 (819)	Thread Take-up Crank Clamping Screw Hole Plug Screw	545854	Oil Pump (centrifugal)
545038 (819)	Arm Shaft (horizontal) Flanged Bushing (front) Oil Tube Cap Screw	545855	Oil Pump (centrifugal) Cover
545040 (809)	Face Plate Screw (short)	545856	Oil Pump (centrifugal) Impeller
		545857	Oil Pump (centrifugal) Screen

NUMERICAL LIST OF PARTS FOR MACHINE 491D200GA

<u>PART NO.</u>	<u>DESCRIPTION</u>	<u>PART NO.</u>	<u>DESCRIPTION</u>
545858	Oil Pump (centrifugal) Screen Frame	540688	Thread Take-up Crank 540685 with 504118, 540661 and 540662, in place of 540678
545862	Pair of Gears Nos. 545764 and 545887	540696	Tension complete, Nos. 32758, 99691, 125314, 540672, 540683, 540684, 546928 and two 2102, in place of 540671
545863	Pair of Gears Nos. 545757 and 545765	540698	Needle Bar (hollow) with 504112, in place of 540702
545864	Presser Bar (hollow)	543364	Oil Wick Holder, in place of 543363
545868	Presser Bar Lifter	543366	Oil Wick Holder complete, Nos. 543364, 545051 and two 545909 in place of 543365
545871	Presser Bar Lifting Lever Connecting Rod	543417	Thread Take-up complete, Nos. 540662, 540676, 540688, 543367 and 543369, in place of 540675
545872	Presser Bar Lifting Lever Connecting Rod Oil Mist Retaining Disc (felt)	545935	Needle Bar Bushing (lower) Thread Eyelet, in place of 540771
545873	Presser Bar Lifting Lever Connecting Rod Swivel	CAT.1901	Needle (135 x 7 #16)
545875	Presser Bar Lifting Lever Pin		
545876	Presser Bar Guide and Pressure Regulating Thumb Screw 549363 with 545403		
545881	Rotating Hook Bobbin Case Holder Position Bracket		
545883	Rotating Hook Oil Flow Regulating Thumb Screw Spring		
545884	Rotating Hook Shaft		
545885	Rotating Hook Shaft 545884 with 505648		
545886	Rotating Hook Shaft 545885 with 545890		
545887	Rotating Hook Shaft Bevel Gear (left hand spiral) with two 504101		
545890	Rotating Hook Shaft Oil Retaining Collar with two 504134		
545892	Slack Thread Regulator		
545894	Tension Releasing Lever (body)		
545898	Tension Stud		
545901	Thread Eyelet (side of arm)		
545902	Thread Take-up Lever Guard		
545908	Thread Take-up Lever Oil Guard with 545909		
545909	Oil Wick (cotton) (2)		
545909	Thread Take-up Lever Oil Guard Wick (cotton)		
545949	Feed Lifting Rock Shaft Flanged Bushing (2)		
545949	Feed Rock Shaft Flanged Bushing (back)		
545950	Rotating Hook (body) with two 549182		
545951	Rotating Hook complete, Nos. 545950, 545954, 545955, three 549187 and four 549186		
545954	Rotating Hook Section		
545955	Rotating Hook Thread Guard		
545983	Presser Bar Guide Bracket with 545099		
545987	Feed Bar		
545990	Rotating Hook and Rotating Hook Bobbin Case Holder complete, Nos. 545951 and 545994		
545991	Rotating Hook, Rotating Hook Bobbin Case Holder and Rotating Hook Bobbin Case complete, Nos. 540770 and 545990		
545994	Rotating Hook Bobbin Case Holder		
546925	Face Plate Gasket		
546927	Thread Take-up Spring Regulator with 504047		
546928	Thread Take-up Spring Regulator 546927 with 540533 and 540534		
546933	Needle Bar Bushing (lower) 540524 with 540771		
548091	Feed Rock Shaft Driving Frame Spring		
548479	Oil Pump (centrifugal) (body) Position Pin (2)		
548970	Presser Bar Lifting Lever Pin Spring		
549128	Thread Eyelet (side of arm) Screw (Spec. No. 1003)		
549182 (803)	Rotating Hook Screw (2)		
549183 (850)	Feed Lifting Rock Shaft Crank (back) Clamping Screw (2)		
549183 (850)	Feed Reverse Lever Hinge Stud Crank Clamping Screw		
549183 (850)	Feed Rock Shaft Crank Clamping Screw		
549186 (806)	Rotating Hook Thread Guard Screw (4)		
549187 (803)	Rotating Hook Section Screw (3)		
549230 (805)	Arm Shaft (horizontal) Screw Plug (2)		
549288 (830)	Feed Reverse Lever Hinge Stud Crank Connecting Link Screw (2)		
549336 (825)	Thread Guard (side of arm) Screw		
549363 (819)	Presser Bar Guide and Pressure Regulating Thumb Screw		
549382	Feed Regulating Screw (Spec. No. 1050)		
549383	Feed Regulating Screw Guide Screw (Spec. No. 1050)		
549384	Feed Reverse Lever Spring Screw (Spec. No. 1019)		
549396	Rotating Hook Oil Flow Regulating Thumb Screw		
CAT. 1901	Needle (135 x 7 #14)		

ACCESSORIES AND ATTACHMENTS

MACHINE BASE AND OIL RESERVOIR

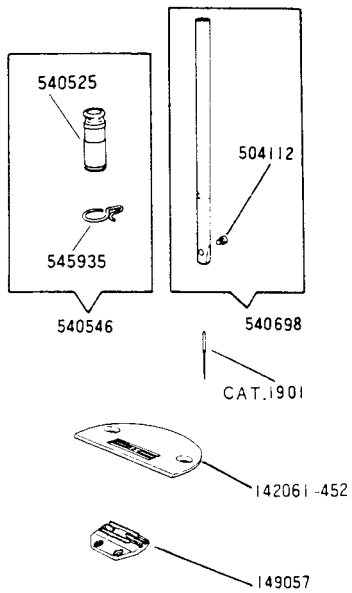
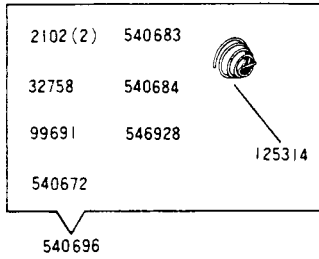
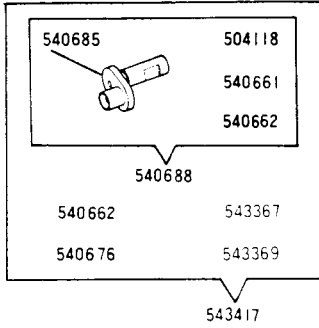
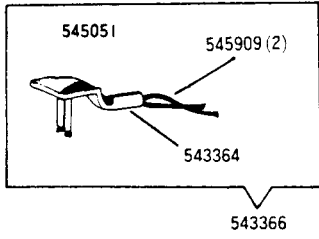
KNEE LIFTER PARTS

AVAILABLE AT EXTRA CHARGE

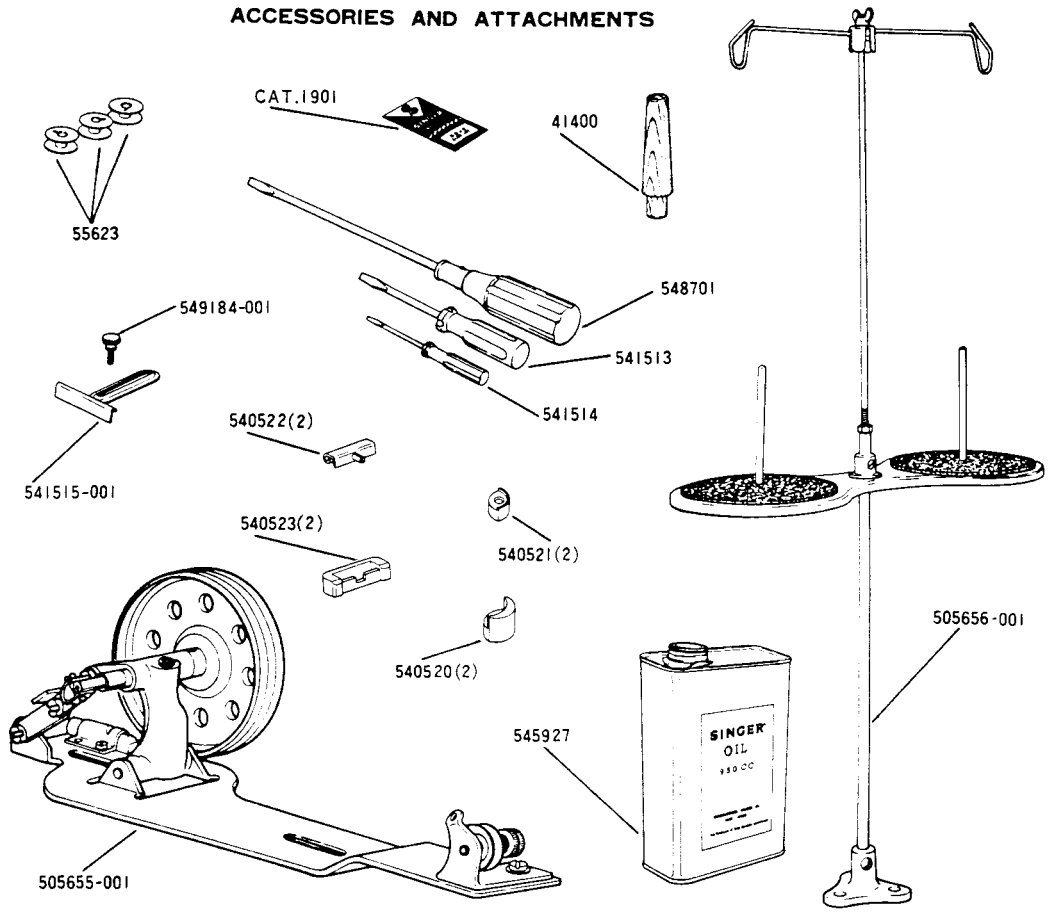
PARTS FOR 491D300GA MACHINE WHICH DIFFER FROM 491D200GA MACHINE

125314	Tension Spring, in place of 540682
142061-452	Throat Plate (large needle hole) for 149057, in place of 52033-452
149057	Feed Dog, 21 teeth (22 teeth per inch), in place of 149031
540525	Needle Bar Bushing (lower), in place of 540524
540546	Needle Bar Bushing (lower) 540525 with 545935, in place of 546933
540685	Thread Take-up Crank, in place of 540677

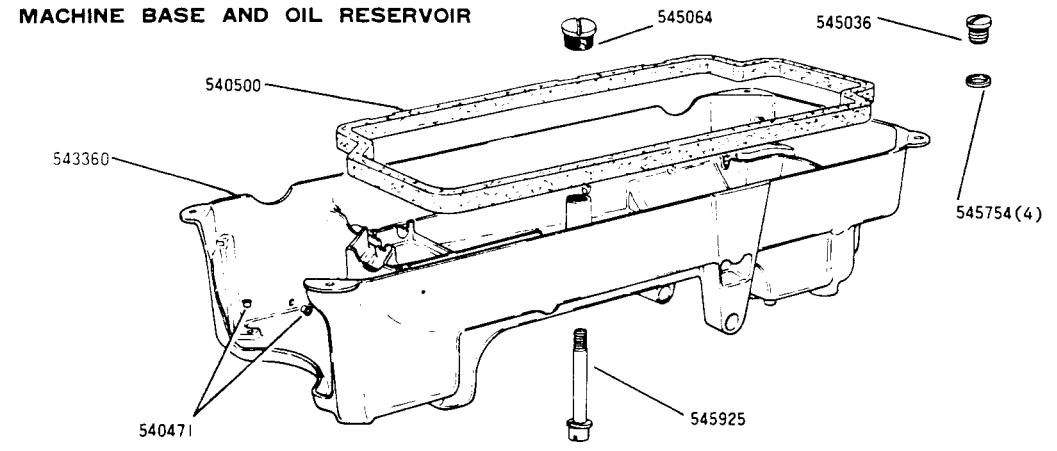
PARTS FOR 491D300GA MACHINE WHICH DIFFER FROM 491D200GA MACHINE



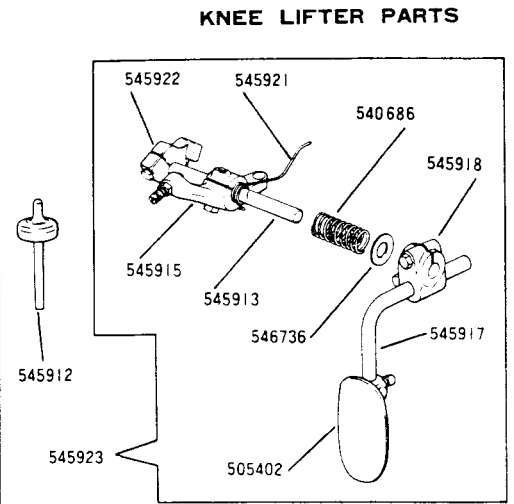
ACCESSORIES AND ATTACHMENTS



MACHINE BASE AND OIL RESERVOIR



KNEE LIFTER PARTS



AVAILABLE AT EXTRA CHARGE

