

Singer 755U 200

Singer 755U 300

Singer 756U 200

Singer 756U 300

ILLUSTRATED PARTS LIST

SINGER®

MACHINE

755U 200 (2N) ^{CYL.} (~~FLY~~ BED, BOTTOM COVER)
300 (3N)

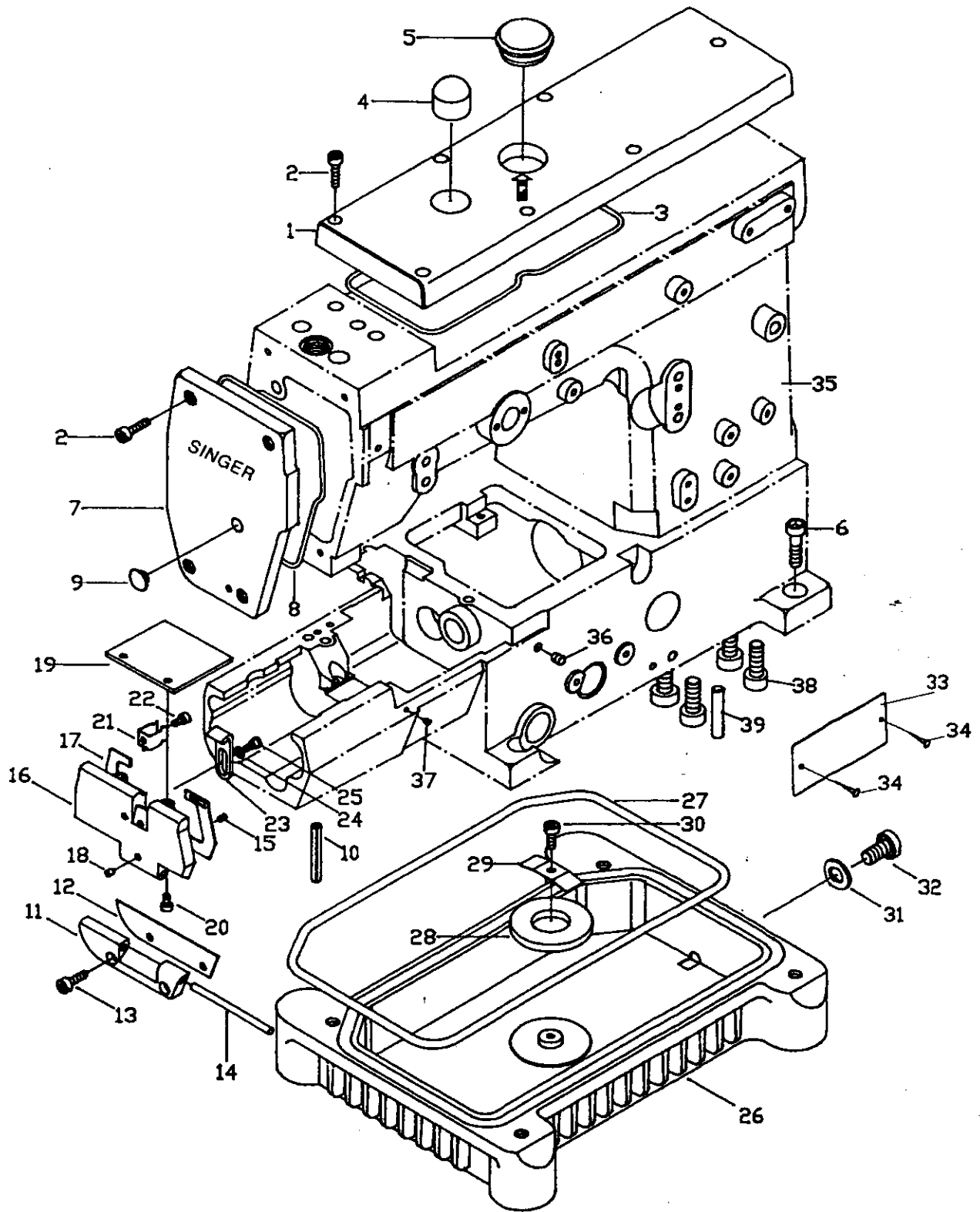
756U 200 (2N) (CYL. BED, TOP+BOTTOM COVER)
300 (3N.)

CONTENTS

目次

| | |
|---|----|
| 1. Frame Components (1) | 2 |
| カバ-関係 (1) | |
| 2. Frame Components (2) | 4 |
| カバ-関係 (2) | |
| 3. Thread Guide and Tension Components for 756U300..... | 6 |
| 糸道関係 (756U300) | |
| Thread Guide and Tension Components for 755U300..... | 8 |
| 糸道関係 (755U300) | |
| Thread Guide and Tension Components for 756U200..... | 10 |
| 糸道関係 (756U200) | |
| Thread Guide and Tension Components for 755U200..... | 12 |
| 糸道関係 (755U200) | |
| 4. Bushing and Seal..... | 14 |
| メタル関係 | |
| 5. Lower Main Shaft Components..... | 16 |
| 下軸機構 | |
| 6. Upper Main Shaft Components..... | 18 |
| 上軸/糸繰り機構 | |
| 7. Needle Bar Components..... | 20 |
| 針棒機構 | |
| 8. Presser Foot Components..... | 22 |
| 押工機構 | |
| 9. Spreader Mechanism..... | 24 |
| 飾り糸ルーバ-機構 | |
| 10. Looper Driving Mechanism..... | 26 |
| ルーバ-機構 | |
| 11. Feed Control Driving..... | 28 |
| 差動送り調節機構 | |
| 12. Needle Guide and Feed Dog Driving..... | 30 |
| 針受ケ/送り機構 | |
| 13. Lubrication System..... | 32 |
| 給油機構 | |
| 14. Thread Stand..... | 34 |
| 糸立台 | |
| 15. Supporting Board..... | 36 |
| 受ケ板 | |
| 16. Accessories..... | 38 |
| 付属品 | |

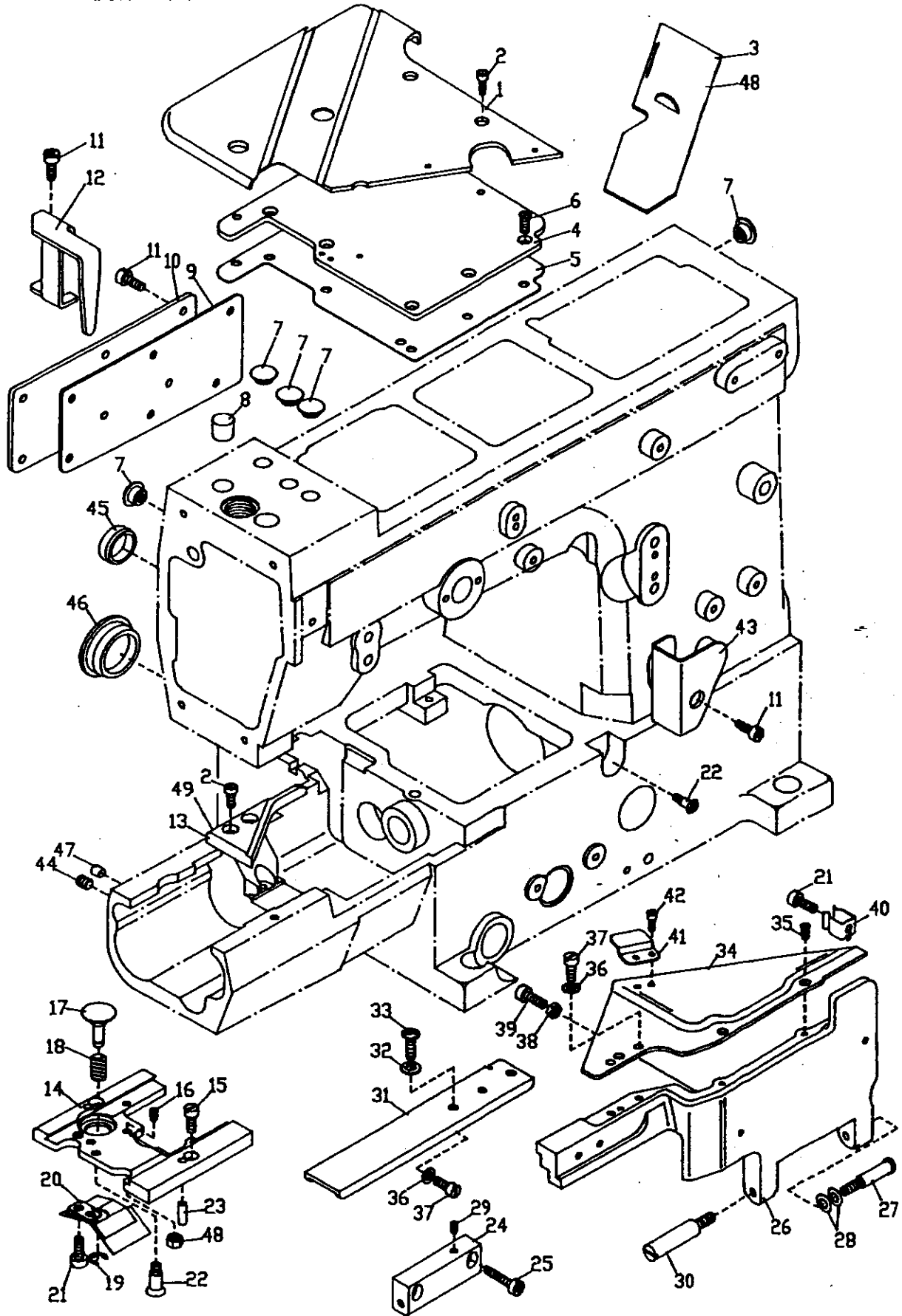
1. Frame Components (1)
 カバー関係 (1)



| NO | PART NO. | 755U | | 756U | | QTY | DESCRIPTION | 名 称 |
|----|--------------|------|-----|------|-----|-----|----------------------|-------------|
| | | 200 | 300 | 200 | 300 | | | |
| 1 | VC000101C200 | * | * | * | * | 1 | Top Cover | 上蓋 |
| 2 | VMC04281207D | * | * | * | * | 11 | Screw | 止メネジ |
| 3 | VC000103A600 | * | * | * | * | 1 | Gasket | ガスケット |
| 4 | VC000104B600 | * | * | * | * | 1 | Oil Window | オイルウインドウ |
| 5 | VC000105A600 | * | * | * | * | 1 | Plug | プラグ |
| 6 | VMM08502013A | * | * | * | * | 4 | Screw | 止メネジ |
| 7 | VC000107D200 | * | * | * | * | 1 | Needle Cover | 面板 |
| 8 | VC000108A600 | * | * | * | * | 1 | Gasket | ガスケット |
| 9 | VC000109A600 | * | * | * | * | 1 | Plug | プラグ |
| 10 | VC000110SP | * | * | * | * | 4 | Supporting Bar | 支工棒 |
| 11 | VC000111C200 | * | * | * | * | 1 | Hinge | ヒンジ |
| 12 | VC000112G700 | * | * | * | * | 1 | Gasket | ガスケット |
| 13 | VMC04281007D | * | * | * | * | 2 | Screw | 止メネジ |
| 14 | VC000114D300 | * | * | * | * | 1 | Hinge Pin | ヒンジピン |
| 15 | VMN03200300A | * | * | * | * | 1 | Screw | 止メネジ |
| 16 | VC000116C200 | * | * | * | * | 1 | Side Cover | 横開キカバー |
| 17 | VC000117G700 | * | * | * | * | 1 | Gasket | ガスケット |
| 18 | VC000118A600 | * | * | * | * | 1 | Rubber Cushion | ゴムクッション |
| 19 | VC000119B700 | * | * | * | * | 1 | Dust Cover | ダストカバー |
| 20 | VMB04280807K | * | * | * | * | 2 | Screw | 止メネジ |
| 21 | VC000121N700 | * | * | * | * | 1 | Latch Spring | ラッチバネ |
| 22 | VMC04280507D | * | * | * | * | 1 | Screw | 止メネジ |
| 23 | VC000123B700 | * | * | * | * | 1 | Close Hook | フック |
| 24 | VC000124DW | * | * | * | * | 1 | Disc Washer | 皿バネワッシャー |
| 25 | VMB04280910G | * | * | * | * | 1 | Stud | 止メネジ |
| 26 | VC000126C200 | * | * | * | * | 1 | Oil Reservoir | 油受ケ |
| 27 | VC000127A600 | * | * | * | * | 1 | Gasket | ガスケット |
| 28 | VC000128B900 | * | * | * | * | 1 | Magnet | マグネット |
| 29 | VC000129B700 | * | * | * | * | 1 | Holder | マグネット押工 |
| 30 | VMC04280807D | * | * | * | * | 1 | Screw | 止メネジ |
| 31 | V6030244A600 | * | * | * | * | 1 | Seal | 油抜キパッキン |
| 32 | V6030243C300 | * | * | * | * | 1 | Stud | 油抜キネジ |
| 33 | 377973-003 | * | * | | | 1 | Model Plate for 755U | 銘板 (755U) |
| 33 | 377973-004 | | | * | * | 1 | Model Plate for 756U | 銘板 (756U) |
| 34 | V6620 | * | * | * | * | 2 | Rivet | 止メ鋸 |
| 35 | VC000135A200 | * | * | * | * | 1 | Frame Unit | アーム、ベッド (組) |
| 36 | VC000136H300 | * | * | * | * | 1 | Plug | プラグ |
| 37 | VC000137H200 | * | * | * | * | 1 | Plug | プラグ |
| 38 | VMM10603016A | * | * | * | * | 1 | Screw | 止メネジ |
| 39 | VC000138ST | * | * | * | * | 2 | Knock Pin | ノックピン |

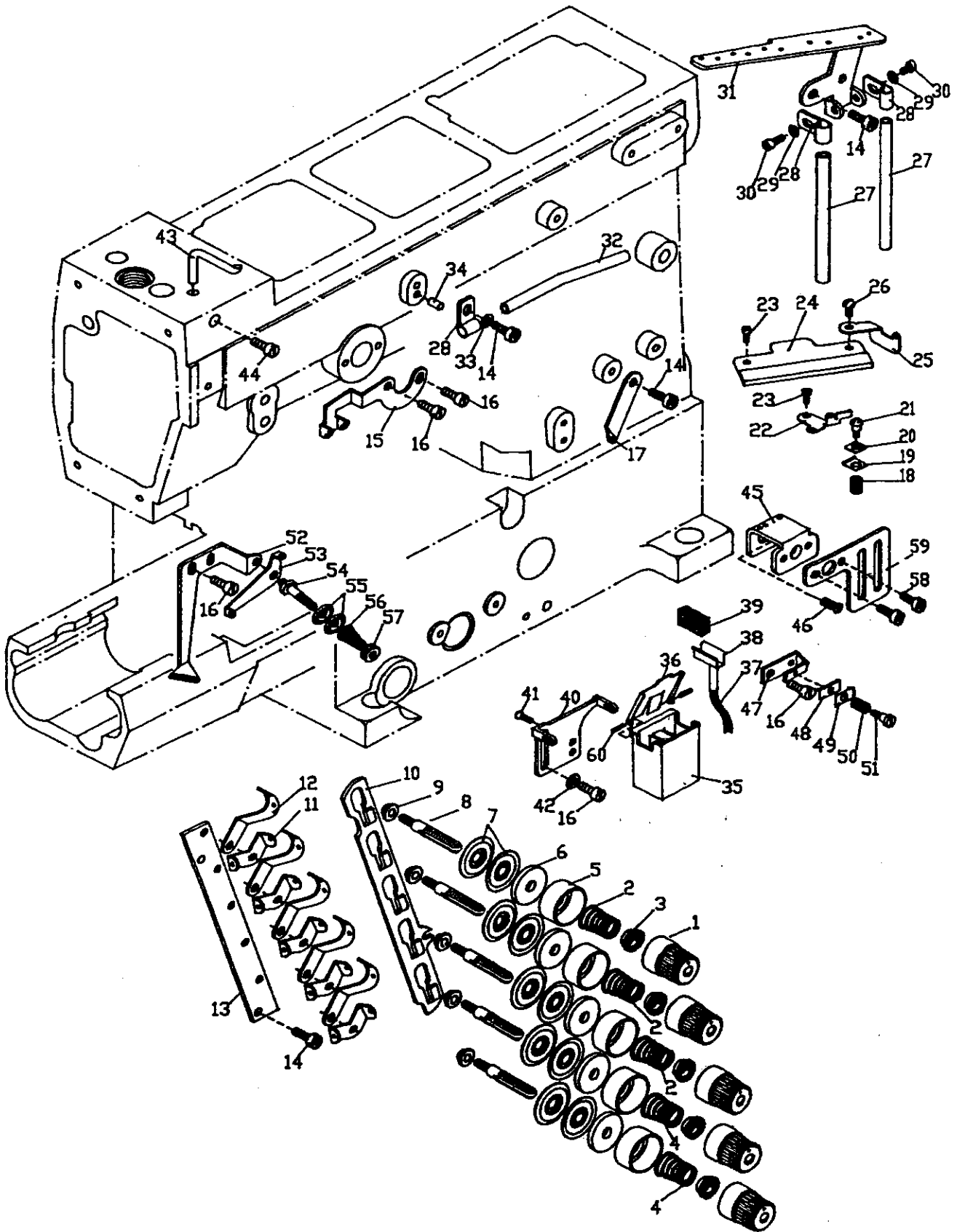
2. Frame Components (2)

カバー関係 (2)



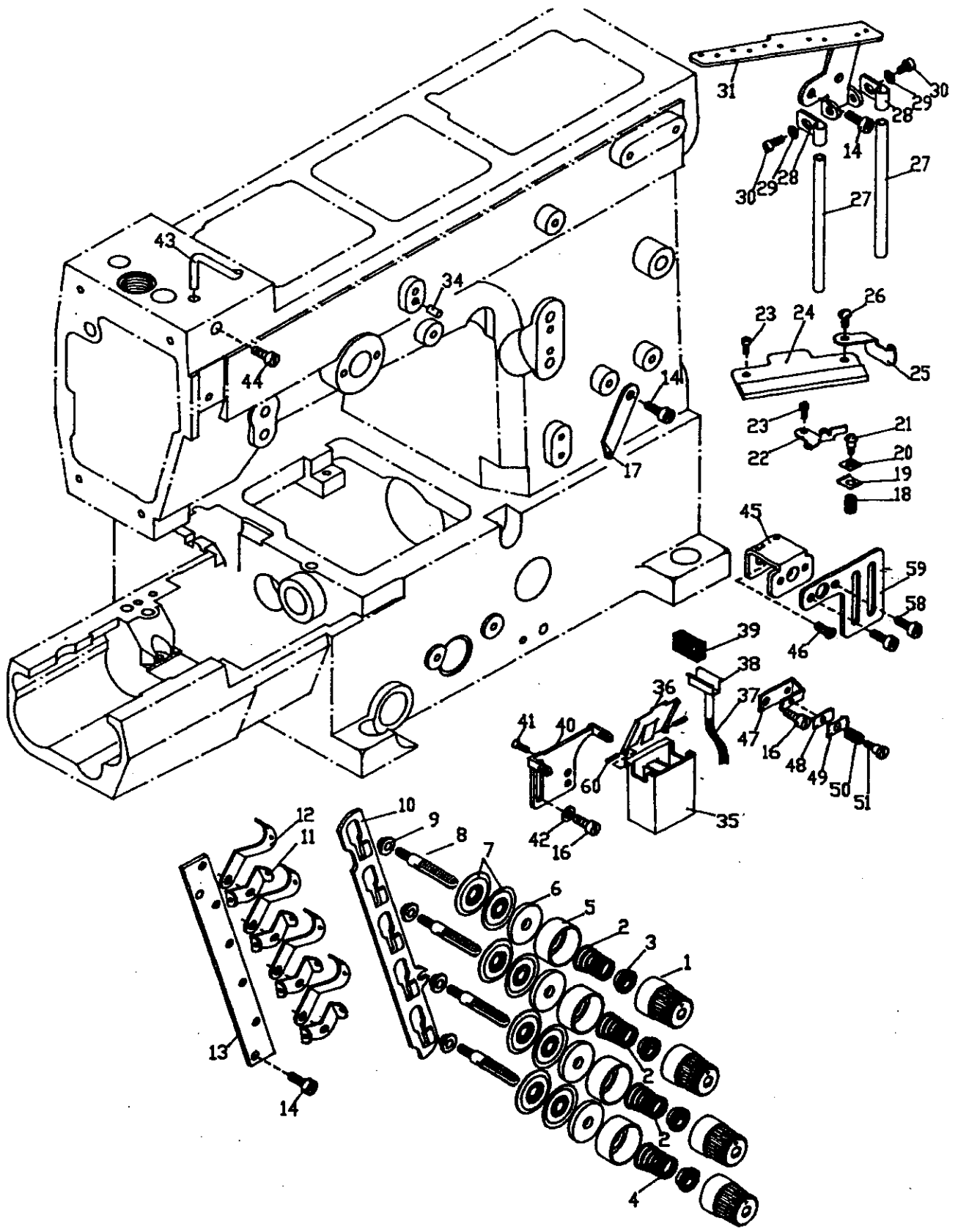
| NO. | PART NO. | 755U | | 756U | | QTY | DESCRIPTION | 名称 |
|-----|--------------|------|-----|------|-----|-----|------------------------------|----------------------|
| | | 200 | 300 | 200 | 300 | | | |
| 1 | VC000201B700 | * | * | * | * | 1 | Cloth Plate | クロスプレート |
| 2 | VMM04281207A | * | * | * | * | 5 | Screw | 止メネジ |
| 3 | VC000203B700 | * | * | * | * | 1 | Dust Cover | スベリ板 |
| 4 | VC000204B700 | * | * | * | * | 1 | Lower Shaft Cover | 下軸カバー |
| 5 | VC000205G700 | * | * | * | * | 1 | Gasket | ガスケット |
| 6 | VME04280708A | * | * | * | * | 7 | Screw | 止メネジ |
| 7 | VC000109A600 | * | * | * | * | 5 | Plug | プラグ |
| 8 | VC000208A600 | * | * | * | * | 1 | Plug | プラグ |
| 9 | VC000209G700 | * | * | * | * | 1 | Gasket | ガスケット |
| 10 | VC000210B700 | * | * | * | * | 1 | Rear Cover | 後カバー |
| 11 | VMC04280807D | * | * | * | * | 9 | Screw | 止メネジ |
| 12 | VC000212B700 | * | * | * | * | 1 | Needle Bar Protector | 針棒ガード |
| 13 | VC000213C200 | * | * | * | * | 1 | Guide | スベリ板補助板 |
| 14 | VC000214E200 | * | * | * | * | 1 | Needle Plate Seat | 針板取付板 |
| 15 | VMB04280807K | * | * | * | * | 2 | Screw | 止メネジ |
| 16 | VMN04281000A | * | * | * | * | 1 | Screw | 止メネジ |
| 17 | VC000217D300 | * | * | * | * | 1 | Push Button | プッシュボタン |
| 18 | VC000218B800 | * | * | * | * | 1 | Spring | バネ |
| 19 | VC000219ER | * | * | * | * | 1 | E-ring | Eリング |
| 20 | VC000220B700 | * | * | * | * | 1 | Oil Defender | 油除ケ |
| 21 | VMC04280507D | * | * | * | * | 3 | Screw | 止メネジ |
| 22 | VMD04281508C | * | * | * | * | 2 | Stud | バネ掛ケネジ |
| 23 | VC000223ST | * | * | * | * | 2 | Knock Pin | ノックピン |
| 24 | VC000224C200 | * | * | * | * | 1 | Hinge | ヒンジ |
| 25 | VMC04281407D | * | * | * | * | 2 | Screw | 止メネジ |
| 26 | VC000226C200 | * | * | * | * | 1 | Front Cover | 前開キカバー (下) |
| 27 | VMB04283809E | * | * | * | * | 1 | Stud | 止メネジ |
| 28 | VC000228DW | * | * | * | * | 2 | Disc Washer | 皿バネワッシャー |
| 29 | VMN04280400A | * | * | * | * | 1 | Screw | 止メネジ |
| 30 | VMB04280605N | * | * | * | * | 1 | Stud | 止メネジ |
| 31 | VC000231B700 | * | * | * | * | 1 | Auxiliary Cloth Plate | 補助カバー |
| 32 | VC000232PW | * | * | * | * | 1 | Washer | ワッシャー |
| 33 | VMB05321008K | * | * | * | * | 2 | Screw | 止メネジ |
| 34 | VC000234B700 | * | * | * | * | 1 | Cloth Plate | 前開キカバー (上) |
| 35 | VME03200606A | * | * | * | * | 3 | Screw | 止メネジ |
| 36 | VC000236PW | * | * | * | * | 4 | Washer | ワッシャー |
| 37 | VMB04280807K | * | * | * | * | 4 | Screw | 止メネジ |
| 38 | VMA04280307B | * | * | * | * | 2 | Nut | ナット |
| 39 | VMB04281207K | * | * | * | * | 1 | Screw | ストップネジ |
| 40 | VC000121N700 | * | * | * | * | 1 | Latch Spring | ラッチバネ |
| 41 | VC000241B700 | * | * | * | * | 1 | Thread Protect Plate | 小調子皿カバー |
| 42 | VMD03200306A | * | * | * | * | 2 | Screw | 止メネジ |
| 43 | VC000243B700 | * | * | * | * | 1 | Thread Protect Plate | 糸道カバー |
| 44 | VMN06400600A | * | * | * | * | 1 | Screw | 止メネジ |
| 45 | VC000245A600 | * | * | * | * | 1 | Plug | プラグ |
| 46 | VC000246A600 | * | * | * | * | 1 | Plug | プラグ |
| 47 | VC000247A600 | * | * | * | * | 2 | Plug | プラグ |
| 48 | VC000248B700 | * | * | * | * | 1 | Dust Cover (for Gauge 6.4mm) | スベリ板 (ゲージ6.4 mm用) |
| 49 | VC000249C200 | * | * | * | * | 1 | Guide (for Gauge 6.4mm) | スベリ板補助板 (ゲージ6.4 mm用) |

3. Thread Guide and Tension Components for 756U300
糸道関係 (756U300)



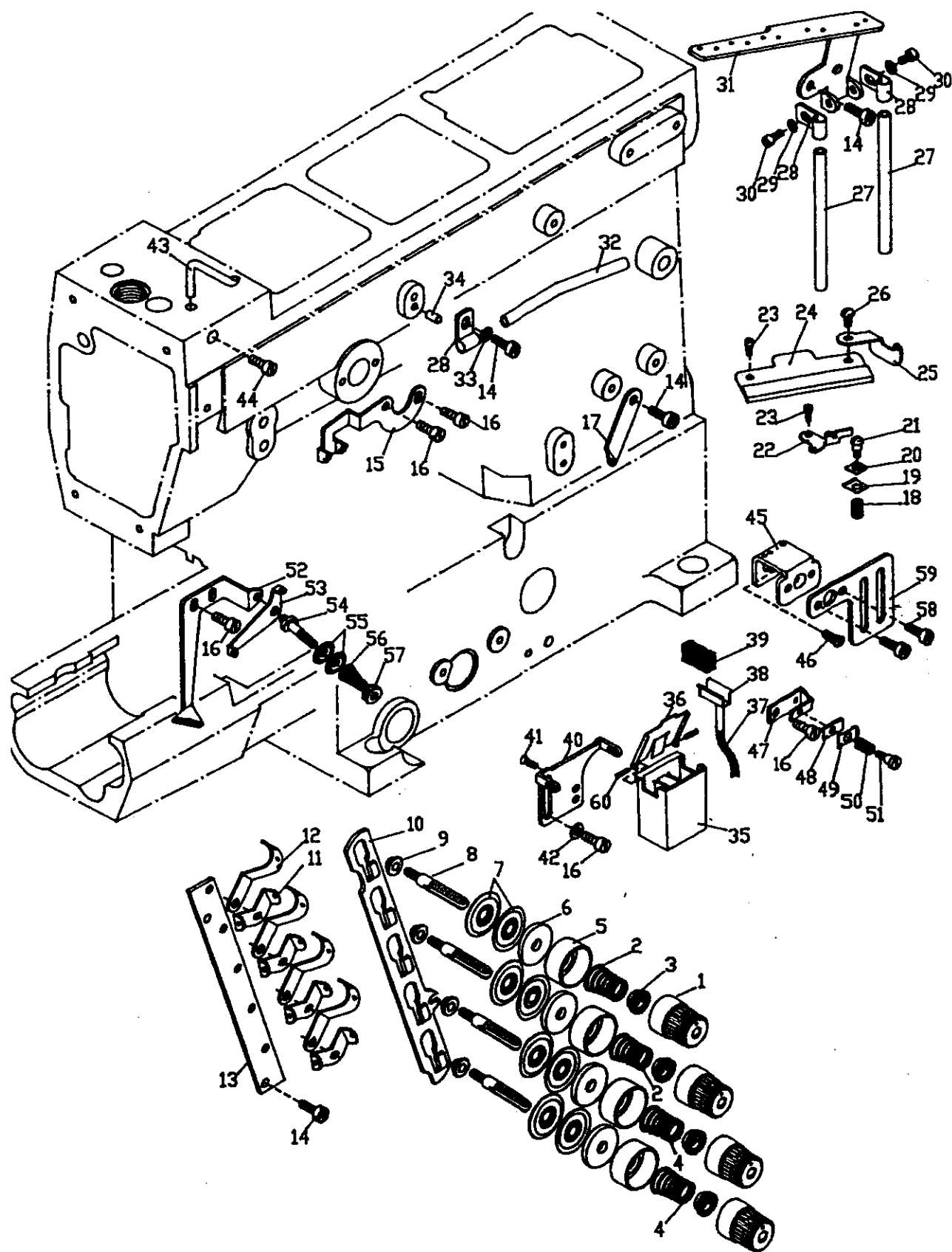
| NO | PART NO. | 200 | | | | QTY | DESCRIPTION | 名 称 |
|----|--------------|-----|-----|-----|-----|-----|-------------------------|------------|
| | | 200 | 300 | 200 | 300 | | | |
| 1 | V6031121D600 | | | | * | 5 | Tension Nut | 糸調子ナット |
| 2 | V6031123A800 | | | | * | 3 | Spring (red) | 糸調子バネ (赤) |
| 3 | V6031122D600 | | | | * | 5 | Bushing | 糸調子バネブッシュ |
| 4 | V6031132A800 | | | | * | 2 | Spring (yellow) | 糸調子バネ (黄) |
| 5 | V6031125D600 | | | | * | 5 | Spring Seat | 糸調子バネ受ケ |
| 6 | V6031127L700 | | | | * | 5 | Felt | フェルト |
| 7 | V6031126D700 | | | | * | 10 | Tension Disc | 糸調子皿 |
| 8 | VC000308C300 | | | | * | 5 | Stud | 糸調子棒 |
| 9 | VC000309D300 | | | | * | 5 | Spacer | スペーサ |
| 10 | VC000310B700 | | | | * | 1 | Release Wedge | 糸ユルメ板 |
| 11 | VC000311B700 | | | | * | 5 | Thread Guide | 糸調子皿糸道 |
| 12 | VC000312B700 | | | | * | 5 | Thread Guide | 糸調子台糸道 |
| 13 | VC000313B700 | | | | * | 1 | Tension Post Support | 糸調子台 |
| 14 | VMC04280807D | | | | * | 6 | Screw | 止メネジ |
| 15 | VC000315B700 | | | | * | 1 | Thread Guide | 飾り糸繰り糸道 |
| 16 | VMB04280807K | | | | * | 6 | Screw | 止メネジ |
| 17 | VC000317B700 | | | | * | 1 | Thread Guide | ルーバー糸道 (長) |
| 18 | VC000318A800 | | | | * | 1 | Spring | 小調子バネ |
| 19 | VC000319B700 | | | | * | 1 | Thread Guide | 小調子皿 (下) |
| 20 | VC000320B700 | | | | * | 1 | Tension Control Plate | 小調子皿 (上) |
| 21 | VMD03201006B | | | | * | 1 | Stud | 止メネジ |
| 22 | VC000322B700 | | | | * | 1 | Thread Guide | 小調子皿ガイド |
| 23 | VMD03200306A | | | | * | 2 | Screw | 止メネジ |
| 24 | VC000324B700 | | | | * | 1 | Thread Guide | ルーバー糸ガード |
| 25 | VC000325B700 | | | | * | 1 | Thread Guide | ルーバー糸道 (中) |
| 26 | VMD03200606A | | | | * | 1 | Screw | 止メネジ |
| 27 | VC000327D300 | | | | * | 2 | Thread Guide Pipe | 糸道パイプ (短) |
| 28 | VC000328B700 | | | | * | 3 | Thread Guide Pipe Clamp | 糸道パイプ支工 |
| 29 | VC000329PW | | | | * | 2 | Washer | ワッシャー |
| 30 | VMB04280807K | | | | * | 2 | Screw | 止メネジ |
| 31 | VC000331B700 | | | | * | 1 | Thread Guide Plate | 糸案内板 |
| 32 | VC000332D300 | | | | * | 1 | Thread Guide Pipe | 糸道パイプ (長) |
| 33 | VC000333PW | | | | * | 1 | Washer | ワッシャー |
| 34 | VC000223ST | | | | * | 1 | Knock Pin | ガイドピン |
| 35 | VC000335D200 | | | | * | 1 | Cooler Oil Tank | オイルタンク |
| 36 | VC000336D700 | | | | * | 1 | Cooler Oil Tank Cover | オイルタンクカバー |
| 37 | V6800 | | | | * | 1 | Oil Wick | オイルウィック |
| 38 | VC000338B700 | | | | * | 1 | Wick Clamp | ウィック支工 |
| 39 | VC000339L700 | | | | * | 1 | Felt | フェルト |
| 40 | VC000340B700 | | | | * | 1 | Thread Guide | 針糸道 |
| 41 | VME03200506A | | | | * | 2 | Screw | 止メネジ |
| 42 | VC000236PW | | | | * | 1 | Washer | ワッシャー |
| 43 | VC000343A800 | | | | * | 1 | Needle Thread Guide | 針糸受ケ |
| 44 | VMB04280807K | | | | * | 1 | Screw | 止メネジ |
| 45 | VC000345B700 | | | | * | 1 | Thread Guide | 針糸道 |
| 46 | VME04280708A | | | | * | 1 | Screw | 止メネジ |
| 47 | VC000347B700 | | | | * | 1 | Thread Retainer Support | 小調子台 |
| 48 | VC000348B700 | | | | * | 1 | Thread Guide Plate | 小調子板 |
| 49 | VC000349B700 | | | | * | 1 | Tension Control Plate | 小調子皿 |
| 50 | VC000350A800 | | | | * | 1 | Spring | 小調子バネ |
| 51 | VMC03200807G | | | | * | 1 | Stud | 止メネジ |
| 52 | VC000352B700 | | | | * | 1 | Thread Guide | 飾り糸案内 |
| 53 | VC000353B700 | | | | * | 1 | Thread Guide | 小調子台糸道 |
| 54 | VC000354C300 | | | | * | 1 | Stud | 小調子棒 |
| 55 | VC000355B700 | | | | * | 2 | Tension Disc | 小調子皿 |
| 56 | VC000356A800 | | | | * | 1 | Spring | 飾り糸調子バネ |
| 57 | VC000357D300 | | | | * | 1 | Nut | ナット |
| 58 | VMB04280507D | | | | * | 2 | Screw | 止メネジ |
| 59 | VC000359B700 | | | | * | 1 | Take-up Arm Protect | 飾り糸繰り糸道ガード |
| 60 | VC000360SP | | | | * | 2 | Spring Pin | スプリングピン |

3. Thread Guide and Tension Components for 755U300
糸道関係 (755U300)



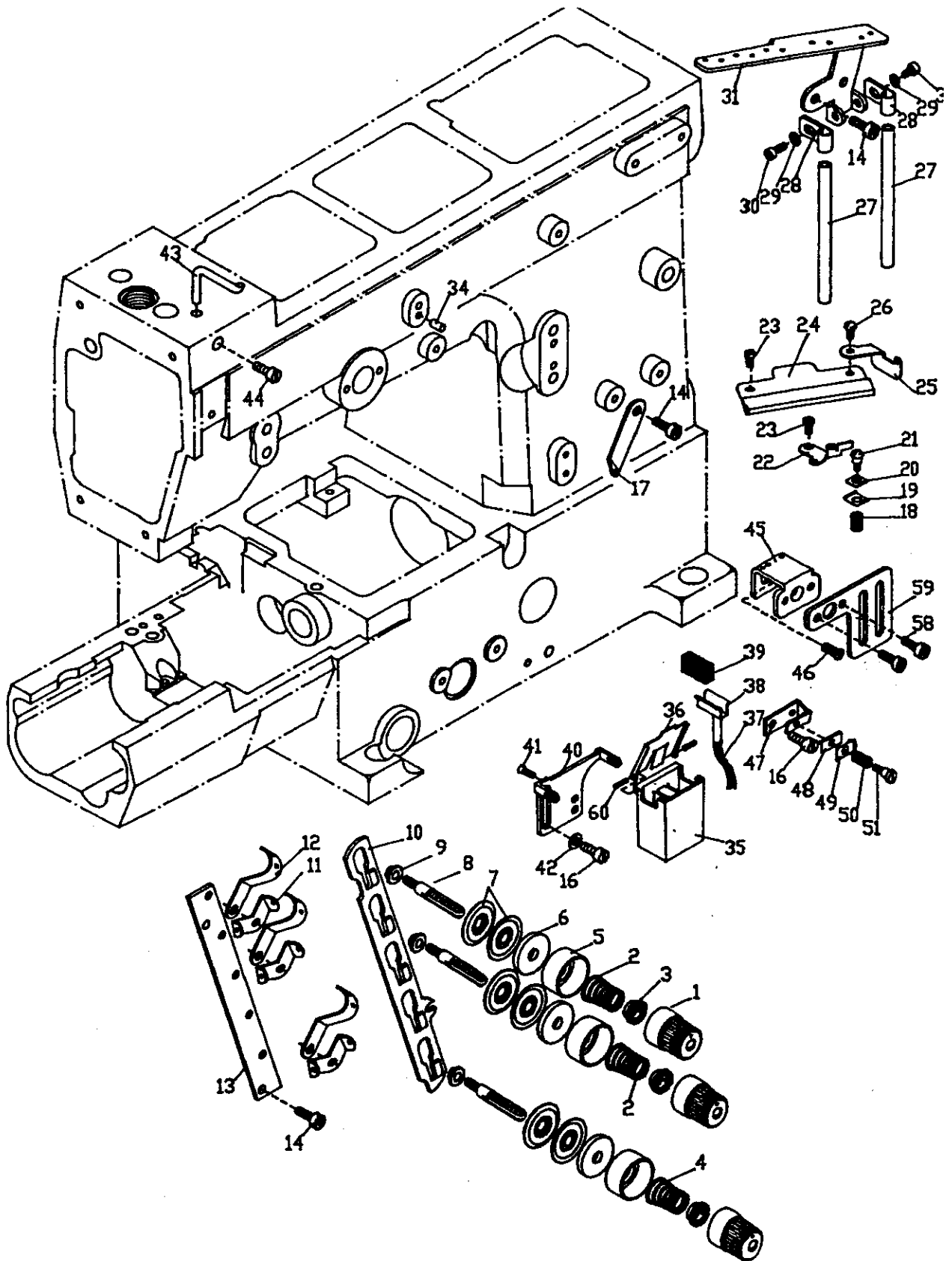
| NO | PART NO. | 755C | | 756C | | QTY | DESCRIPTION | 名 称 |
|----|--------------|------|-----|------|-----|-----|-------------------------|------------|
| | | 200 | 300 | 200 | 300 | | | |
| 1 | V6031121D600 | * | | | | 4 | Tension Nut | 糸調子ナット |
| 2 | V6031123A800 | * | | | | 3 | Spring (red) | 糸調子バネ (赤) |
| 3 | V6031122D600 | * | | | | 4 | Bushing | 糸調子バネブッシュ |
| 4 | V6031132A800 | * | | | | 1 | Spring (yellow) | 糸調子バネ (黄) |
| 5 | V6031125D600 | * | | | | 4 | Spring Seat | 糸調子バネ受け |
| 6 | V6031127L700 | * | | | | 4 | Felt | フェルト |
| 7 | V6031126D700 | * | | | | 8 | Tension Disc | 糸調子皿 |
| 8 | VC000308C300 | * | | | | 4 | Stud | 糸調子棒 |
| 9 | VC000309D300 | * | | | | 4 | Spacer | スベーサ |
| 10 | VC000310B700 | * | | | | 1 | Release Wedge | 糸ユルメ板 |
| 11 | VC000311B700 | * | | | | 4 | Thread Guide | 糸調子皿糸道 |
| 12 | VC000312B700 | * | | | | 4 | Thread Guide | 糸調子台糸道 |
| 13 | VC000313B700 | * | | | | 1 | Tension Post Support | 糸調子台 |
| 14 | VMC04280807D | * | | | | 5 | Screw | 止メネジ |
| 15 | ----- | | | | | - | ----- | ----- |
| 16 | VMB04280807K | * | | | | 2 | Screw | 止メネジ |
| 17 | VC000317B700 | * | | | | 1 | Thread Guide | ルーバー糸道 (長) |
| 18 | VC000318A800 | * | | | | 1 | Spring | 小調子バネ |
| 19 | VC000319B700 | * | | | | 1 | Thread Guide | 小調子皿 (下) |
| 20 | VC000320B700 | * | | | | 1 | Tension Control Plate | 小調子皿 (上) |
| 21 | VMD03201006B | * | | | | 1 | Stud | 止メネジ |
| 22 | VC000322B700 | * | | | | 1 | Thread Guide | 小調子皿ガイド |
| 23 | VMD03200306A | * | | | | 2 | Screw | 止メネジ |
| 24 | VC000324B700 | * | | | | 1 | Thread Guide | ルーバー糸ガード |
| 25 | VC000325B700 | * | | | | 1 | Thread Guide | ルーバー糸道 (中) |
| 26 | VMD03200606A | * | | | | 1 | Screw | 止メネジ |
| 27 | VC000327D300 | * | | | | 2 | Thread Guide Pipe | 糸道パイプ (短) |
| 28 | VC000328B700 | * | | | | 2 | Thread Guide Pipe Clamp | 糸道パイプ支工 |
| 29 | VC000329PW | * | | | | 2 | Washer | ワッシャー |
| 30 | VMB04280807K | * | | | | 2 | Screw | 止メネジ |
| 31 | VC000331B700 | * | | | | 1 | Thread Guide Plate | 糸案内板 |
| 32 | ----- | | | | | - | ----- | ----- |
| 33 | ----- | | | | | - | ----- | ----- |
| 34 | VC000223ST | * | | | | 1 | Knock Pin | ガイドピン |
| 35 | VC000335D200 | * | | | | 1 | Cooler Oil Tank | オイルタンク |
| 36 | VC000336D700 | * | | | | 1 | Cooler Oil Tank Cover | オイルタンクカバー |
| 37 | V6800 | * | | | | 1 | Oil Wick | オイルウィック |
| 38 | VC000338B700 | * | | | | 1 | Wick Clamp | ウィック支工 |
| 39 | VC000339L700 | * | | | | 1 | Felt | フェルト |
| 40 | VC000340B700 | * | | | | 1 | Thread Guide | 針糸道 |
| 41 | VME03200506A | * | | | | 2 | Screw | 止メネジ |
| 42 | VC000236PW | * | | | | 1 | Washer | ワッシャー |
| 43 | VC000343A800 | * | | | | 1 | Needle Thread Guide | 針糸受け |
| 44 | VMB04280807K | * | | | | 1 | Screw | 止メネジ |
| 45 | VC000345B700 | * | | | | 1 | Thread Guide | 針糸道 |
| 46 | VME04280708A | * | | | | 1 | Screw | 止メネジ |
| 47 | VC000347B700 | * | | | | 1 | Thread Retainer Support | 小調子台 |
| 48 | VC000348B700 | * | | | | 1 | Thread Guide Plate | 小調子板 |
| 49 | VC000349B700 | * | | | | 1 | Tension Control Plate | 小調子皿 |
| 50 | VC000350A800 | * | | | | 1 | Spring | 小調子バネ |
| 51 | VMC03200807G | * | | | | 1 | Stud | 止メネジ |
| 52 | ----- | | | | | - | ----- | ----- |
| 53 | ----- | | | | | - | ----- | ----- |
| 54 | ----- | | | | | - | ----- | ----- |
| 55 | ----- | | | | | - | ----- | ----- |
| 56 | ----- | | | | | - | ----- | ----- |
| 57 | ----- | | | | | - | ----- | ----- |
| 58 | VMB04280507D | * | | | | 2 | Screw | 止メネジ |
| 59 | VC000359B700 | * | | | | 1 | Take-up Arm Protect | 飾り糸繰り糸道ガード |
| 60 | VC000360SP | * | | | | 2 | Spring Pin | スプリングピン |

3. Thread Guide and Tension Components for 756U200
糸道関係 (756U200)



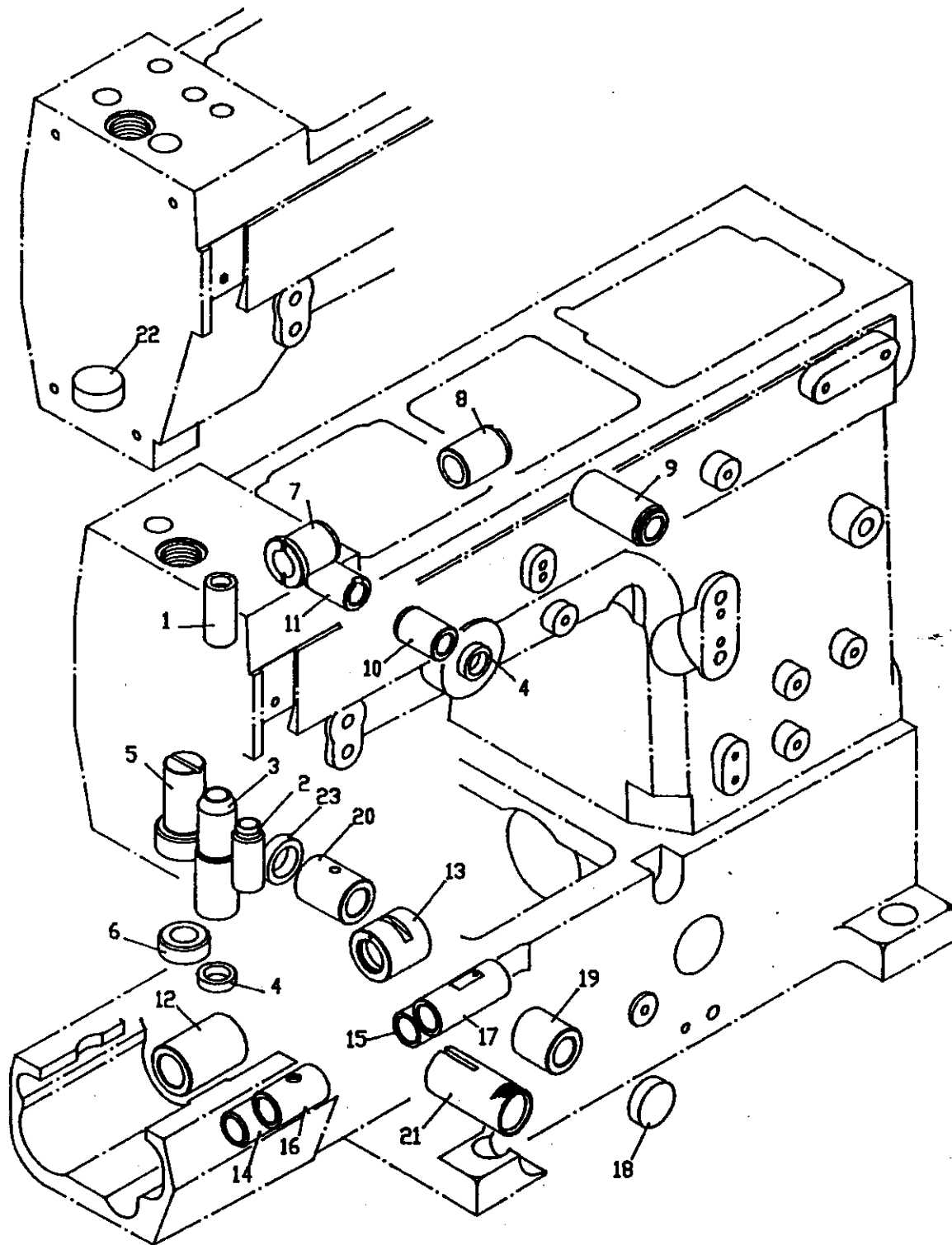
| NO | PART NO. | 755U | | 756U | | QTY | DESCRIPTION | 名 称 |
|----|--------------|------|-----|------|-----|-----|-------------------------|------------|
| | | 200 | 300 | 200 | 300 | | | |
| 1 | V6031121D600 | | | * | | 4 | Tension Nut | 糸調子ナット |
| 2 | V6031123A800 | | | * | | 2 | Spring (red) | 糸調子バネ (赤) |
| 3 | V6031122D600 | | | * | | 4 | Bushing | 糸調子バネブッシュ |
| 4 | V6031132A800 | | | * | | 2 | Spring (yellow) | 糸調子バネ (黄) |
| 5 | V6031125D600 | | | * | | 4 | Spring Seat | 糸調子バネ受け |
| 6 | V6031127L700 | | | * | | 4 | Felt | フェルト |
| 7 | V6031126D700 | | | * | | 8 | Tension Disc | 糸調子皿 |
| 8 | VC000308C300 | | | * | | 4 | Stud | 糸調子棒 |
| 9 | VC000309D300 | | | * | | 4 | Spacer | スペーサ |
| 10 | VC000310B700 | | | * | | 1 | Release Wedge | 糸ユルメ板 |
| 11 | VC000311B700 | | | * | | 4 | Thread Guide | 糸調子皿糸道 |
| 12 | VC000312B700 | | | * | | 4 | Thread Guide | 糸調子台糸道 |
| 13 | VC000313B700 | | | * | | 1 | Tension Post Support | 糸調子台 |
| 14 | VMC04280807D | | | * | | 6 | Screw | 止メネジ |
| 15 | VC000315B700 | | | * | | 1 | Thread Guide | 飾り糸繰り糸道 |
| 16 | VMB04280807K | | | * | | 6 | Screw | 止メネジ |
| 17 | VC000317B700 | | | * | | 1 | Thread Guide | ルーバー糸道 (長) |
| 18 | VC000318A800 | | | * | | 1 | Spring | 小調子バネ |
| 19 | VC000319B700 | | | * | | 1 | Thread Guide | 小調子皿 (下) |
| 20 | VC000320B700 | | | * | | 1 | Tension Control Plate | 小調子皿 (上) |
| 21 | VMD03201006B | | | * | | 1 | Stud | 止メネジ |
| 22 | VC000322B700 | | | * | | 1 | Thread Guide | 小調子皿ガイド |
| 23 | VMD03200306A | | | * | | 2 | Screw | 止メネジ |
| 24 | VC000324B700 | | | * | | 1 | Thread Guide | ルーバー糸ガード |
| 25 | VC000325B700 | | | * | | 1 | Thread Guide | ルーバー糸道 (中) |
| 26 | VMD03200606A | | | * | | 1 | Screw | 止メネジ |
| 27 | VC000327D300 | | | * | | 2 | Thread Guide Pipe | 糸道パイプ (短) |
| 28 | VC000328B700 | | | * | | 3 | Thread Guide Pipe Clamp | 糸道パイプ支エ |
| 29 | VC000329PW | | | * | | 2 | Washer | ワッシャー |
| 30 | VMB04280807K | | | * | | 2 | Screw | 止メネジ |
| 31 | VC000331B700 | | | * | | 1 | Thread Guide Plate | 糸案内板 |
| 32 | VC000332D300 | | | * | | 1 | Thread Guide Pipe | 糸道パイプ (長) |
| 33 | VC000333PW | | | * | | 1 | Washer | ワッシャー |
| 34 | VC000223ST | | | * | | 1 | Knock Pin | ガイドピン |
| 35 | VC000335D200 | | | * | | 1 | Cooler Oil Tank | オイルタンク |
| 36 | VC000336D700 | | | * | | 1 | Cooler Oil Tank Cover | オイルタンクカバー |
| 37 | V6800 | | | * | | 1 | Oil Wick | オイルウィック |
| 38 | VC000338B700 | | | * | | 1 | Wick Clamp | ウィック支エ |
| 39 | VC000339L700 | | | * | | 1 | Felt | フェルト |
| 40 | VC000340B700 | | | * | | 1 | Thread Guide | 針糸道 |
| 41 | VME03200506A | | | * | | 2 | Screw | 止メネジ |
| 42 | VC000236PW | | | * | | 1 | Washer | ワッシャー |
| 43 | VC000343A800 | | | * | | 1 | Needle Thread Guide | 針糸受け |
| 44 | VMB04280807K | | | * | | 1 | Screw | 止メネジ |
| 45 | VC000345B700 | | | * | | 1 | Thread Guide | 針糸道 |
| 46 | VME04280708A | | | * | | 1 | Screw | 止メネジ |
| 47 | VC000347B700 | | | * | | 1 | Thread Retainer Support | 小調子台 |
| 48 | VC000348B700 | | | * | | 1 | Thread Guide Plate | 小調子板 |
| 49 | VC000349B700 | | | * | | 1 | Tension Control Plate | 小調子皿 |
| 50 | VC000350A800 | | | * | | 1 | Spring | 小調子バネ |
| 51 | VMC03200807G | | | * | | 1 | Stud | 止メネジ |
| 52 | VC000352B700 | | | * | | 1 | Thread Guide | 飾り糸案内 |
| 53 | VC000353B700 | | | * | | 1 | Thread Guide | 小調子台糸道 |
| 54 | VC000354C300 | | | * | | 1 | Stud | 小調子棒 |
| 55 | VC000355B700 | | | * | | 2 | Tension Disc | 小調子皿 |
| 56 | VC000356A800 | | | * | | 1 | Spring | 飾り糸調子バネ |
| 57 | VC000357D300 | | | * | | 1 | Nut | ナット |
| 58 | VMB04280507D | | | * | | 2 | Screw | 止メネジ |
| 59 | VC000359B700 | | | * | | 1 | Take-up Arm Protect | 飾り糸繰り糸道ガード |
| 60 | VC000360SP | | | * | | 2 | Spring Pin | スプリングピン |

3. Thread Guide and Tension Components for 755U200
糸道関係 (755U200)



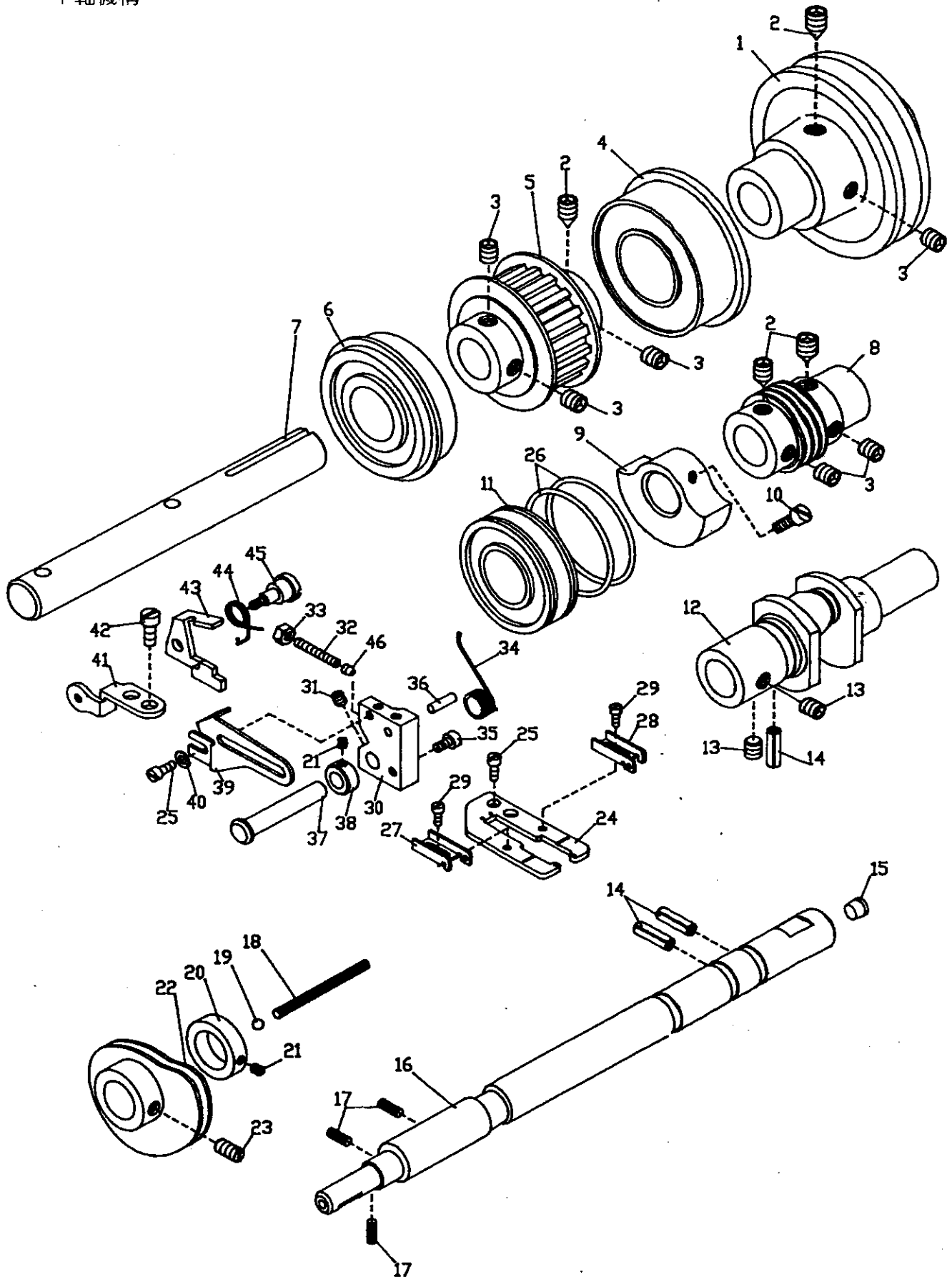
| NO | PART NO. | 755U | | 756U | | QTY | DESCRIPTION | 名称 |
|----|--------------|------|-----|------|-----|-----|-------------------------|------------|
| | | 200 | 300 | 200 | 300 | | | |
| 1 | V6031121D600 | * | | | | 3 | Tension Nut | 糸調子ナット |
| 2 | V6031123A800 | * | | | | 2 | Spring (red) | 糸調子バネ (赤) |
| 3 | V6031122D600 | * | | | | 3 | Bushing | 糸調子バネブッシュ |
| 4 | V6031132A800 | * | | | | 1 | Spring (yellow) | 糸調子バネ (黄) |
| 5 | V6031125D600 | * | | | | 3 | Spring Seat | 糸調子バネ受け |
| 6 | V6031127L700 | * | | | | 3 | Felt | フェルト |
| 7 | V6031126D700 | * | | | | 6 | Tension Disc | 糸調子皿 |
| 8 | VC000308C300 | * | | | | 3 | Stud | 糸調子棒 |
| 9 | VC000309D300 | * | | | | 3 | Spacer | スペーサ |
| 10 | VC000310B700 | * | | | | 1 | Release Wedge | 糸ユルメ板 |
| 11 | VC000311B700 | * | | | | 3 | Thread Guide | 糸調子皿糸道 |
| 12 | VC000312B700 | * | | | | 3 | Thread Guide | 糸調子台糸道 |
| 13 | VC000313B700 | * | | | | 1 | Tension Post Support | 糸調子台 |
| 14 | VMC04280807D | * | | | | 5 | Screw | 止メネジ |
| 15 | ----- | | | | | - | ----- | ----- |
| 16 | VMB04280807K | * | | | | 2 | Screw | 止メネジ |
| 17 | VC000317B700 | * | | | | 1 | Thread Guide | ルーバー糸道 (長) |
| 18 | VC000318A800 | * | | | | 1 | Spring | 小調子バネ |
| 19 | VC000319B700 | * | | | | 1 | Thread Guide | 小調子皿 (下) |
| 20 | VC000320B700 | * | | | | 1 | Tension Control Plate | 小調子皿 (上) |
| 21 | VMD03201006B | * | | | | 1 | Stud | 止メネジ |
| 22 | VC000322B700 | * | | | | 1 | Thread Guide | 小調子皿ガイド |
| 23 | VMD03200306A | * | | | | 2 | Screw | 止メネジ |
| 24 | VC000324B700 | * | | | | 1 | Thread Guide | ルーバー糸ガード |
| 25 | VC000325B700 | * | | | | 1 | Thread Guide | ルーバー糸道 (中) |
| 26 | VMD03200606A | * | | | | 1 | Screw | 止メネジ |
| 27 | VC000327D300 | * | | | | 2 | Thread Guide Pipe | 糸道パイプ (短) |
| 28 | VC000328B700 | * | | | | 2 | Thread Guide Pipe Clamp | 糸道パイプ支工 |
| 29 | VC000329PW | * | | | | 2 | Washer | ワッシャー |
| 30 | VMB04280807K | * | | | | 2 | Screw | 止メネジ |
| 31 | VC000331B700 | * | | | | 1 | Thread Guide Plate | 糸案内板 |
| 32 | ----- | | | | | - | ----- | ----- |
| 33 | ----- | | | | | - | ----- | ----- |
| 34 | VC000223ST | * | | | | 1 | Knock Pin | ガイドピン |
| 35 | VC000335D200 | * | | | | 1 | Cooler Oil Tank | オイルタンク |
| 36 | VC000336D700 | * | | | | 1 | Cooler Oil Tank Cover | オイルタンクカバー |
| 37 | V6800 | * | | | | 1 | Oil Wick | オイルウィック |
| 38 | VC000338B700 | * | | | | 1 | Wick Clamp | ウィック支工 |
| 39 | VC000339L700 | * | | | | 1 | Felt | フェルト |
| 40 | VC000340B700 | * | | | | 1 | Thread Guide | 針糸道 |
| 41 | VME03200506A | * | | | | 2 | Screw | 止メネジ |
| 42 | VC000236PW | * | | | | 1 | Washer | ワッシャー |
| 43 | VC000343A800 | * | | | | 1 | Needle Thread Guide | 針糸受け |
| 44 | VMB04280807K | * | | | | 1 | Screw | 止メネジ |
| 45 | VC000345B700 | * | | | | 1 | Thread Guide | 針糸道 |
| 46 | VME04280708A | * | | | | 1 | Screw | 止メネジ |
| 47 | VC000347B700 | * | | | | 1 | Thread Retainer Support | 小調子台 |
| 48 | VC000348B700 | * | | | | 1 | Thread Guide Plate | 小調子板 |
| 49 | VC000349B700 | * | | | | 1 | Tension Control Plate | 小調子皿 |
| 50 | VC000350A800 | * | | | | 1 | Spring | 小調子バネ |
| 51 | VMC03200807G | * | | | | 1 | Stud | 止メネジ |
| 52 | ----- | | | | | - | ----- | ----- |
| 53 | ----- | | | | | - | ----- | ----- |
| 54 | ----- | | | | | - | ----- | ----- |
| 55 | ----- | | | | | - | ----- | ----- |
| 56 | ----- | | | | | - | ----- | ----- |
| 57 | ----- | | | | | - | ----- | ----- |
| 58 | VMB04280507D | * | | | | 2 | Screw | 止メネジ |
| 59 | VC000359B700 | * | | | | 1 | Take-up Arm Protect | 飾り糸繰り糸道ガード |
| 60 | VC000360SP | * | | | | 2 | Spring Pin | スプリングピン |

4. Bushing and Seal
メタル関係



| NO. | PART NO. | /55U | | /56U | | QTY | DESCRIPTION | 名 称 |
|-----|--------------|------|-----|------|-----|-----|--------------------|-----------------|
| | | 200 | 300 | 200 | 300 | | | |
| 1 | VC000401G300 | * | * | * | * | 1 | Bushing | 針棒メタル (上) |
| 2 | VC000402G300 | * | * | * | * | 1 | Bushing | 針棒メタル (下) |
| 3 | VC000403G300 | * | * | * | * | 1 | Bushing | 押工棒メタル |
| 4 | VC000404A600 | * | * | * | * | 2 | Oil Seal | オイルシール |
| 5 | VC000405G300 | | | * | * | 1 | Bushing | 飾り糸ルーパー棒メタル |
| 6 | VC000406A600 | | | * | * | 1 | Oil Seal | オイルシール |
| 7 | VC000407G300 | | | * | * | 1 | Bushing | 飾り糸ルーパー軸メタル (左) |
| 8 | VC000408G300 | | | * | * | 1 | Bushing | 飾り糸ルーパー軸メタル (右) |
| 9 | VC000409G300 | * | * | * | * | 1 | Bushing | 押工上ゲ軸メタル |
| 10 | VC000410G300 | * | * | * | * | 1 | Bushing | 針糸繰り軸メタル (前) |
| 11 | VC000411G300 | * | * | * | * | 1 | Bushing | 針糸繰り軸メタル (後) |
| 12 | VC000412G300 | * | * | * | * | 1 | Bushing | 下軸メタル (左) |
| 13 | VC000413G300 | * | * | * | * | 1 | Bushing | 下軸メタル (右) |
| 14 | VC000414G300 | * | * | * | * | 1 | Bushing | 前送り軸メタル (左) |
| 15 | VC000415G300 | * | * | * | * | 1 | Bushing | 前送り軸メタル (右) |
| 16 | VC000416G300 | * | * | * | * | 1 | Bushing | 上下送り軸メタル (左) |
| 17 | VC000417G300 | * | * | * | * | 1 | Bushing | 上下送り軸メタル (右) |
| 18 | VC000245A600 | * | * | * | * | 1 | Plug | プラグ |
| 19 | VC000419G300 | * | * | * | * | 1 | Bushing | ルーパー軸メタル (前) |
| 20 | VC000420G300 | * | * | * | * | 1 | Bushing | ルーパー軸メタル (後) |
| 21 | VC000421D300 | * | * | * | * | 1 | Graduation Bushing | 前送り調節ネジメタル |
| 22 | VC000422H300 | * | * | * | * | 1 | Plug | プラグ |
| 23 | VC000423H300 | * | * | * | * | 1 | Plug | プラグ |

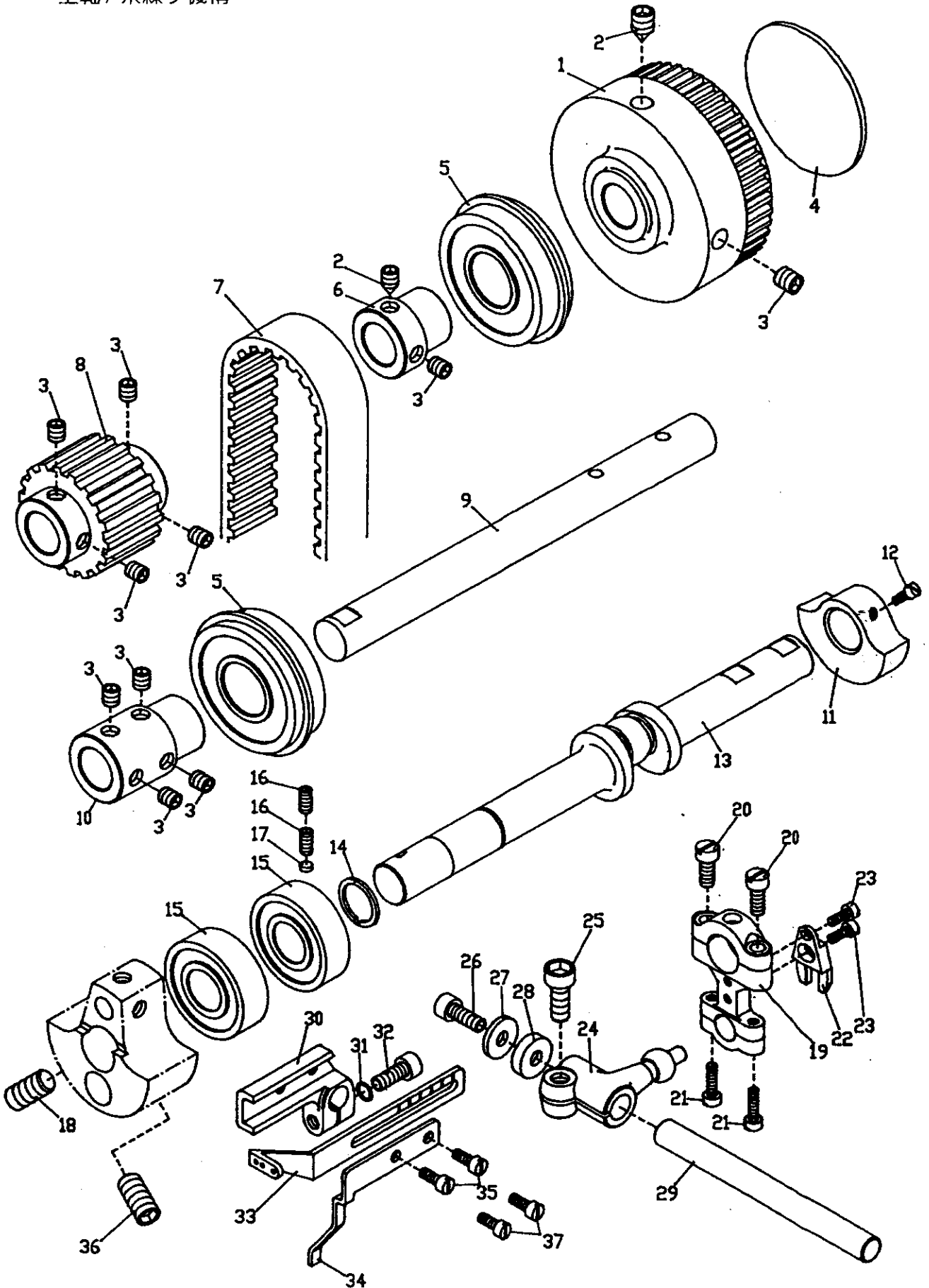
5. Lower Main Shaft Components
下軸機構



| NO. | PART NO. | 755U | | 756U | | QTY | DESCRIPTION | 名 称 |
|-----|--------------|------|-----|------|-----|-----|---------------------------|--------------|
| | | 200 | 300 | 200 | 300 | | | |
| 1 | VC000501A200 | * | * | * | * | 1 | Pulley | プーリー |
| 2 | VMN06400800C | * | * | * | * | 4 | Screw | 止メネジ |
| 3 | VMN06400600A | * | * | * | * | 6 | Screw | 止メネジ |
| 4 | VC000504BB | * | * | * | * | 1 | Ball Bearing | ボールベアリング (右) |
| 5 | VC000505B300 | * | * | * | * | 1 | Timing Pulley | ベルトプーリー (下) |
| 6 | VC000506BB | * | * | * | * | 1 | Ball Bearing | ボールベアリング (中) |
| 7 | VC000507A300 | * | * | * | * | 1 | Shaft | 下軸 (右) |
| 8 | VC000508A300 | * | * | * | * | 1 | Worm | ウォーム |
| 9 | VC000509B400 | * | * | * | * | 1 | Balance Weight | バランスウエイト (小) |
| 10 | VMB04280807K | * | * | * | * | 2 | Screw | 止メネジ |
| 11 | VC000511BB | * | * | * | * | 1 | Ball Bearing | ボールベアリング (左) |
| 12 | VC000512A300 | * | * | * | * | 1 | Crank Shaft | 下軸クランク |
| 13 | VMN06400500A | * | * | * | * | 2 | Screw | 止メネジ |
| 14 | VC000514SP | * | * | * | * | 3 | Pin | スプリングピン |
| 15 | VC000515H300 | * | * | * | * | 1 | Plug | プラグ |
| 16 | VC000516A300 | * | * | * | * | 1 | Shaft | 下軸 (左) |
| 17 | V6801 | * | * | * | * | 3 | Oil Wick | オイルウィック |
| 18 | V6800 | * | * | * | * | 1 | Oil Wick | オイルウィック |
| 19 | VC000519H300 | * | * | * | * | 1 | Plug | プラグ |
| 20 | VC000520C300 | * | * | * | * | 1 | Collar | カラー |
| 21 | VMN03200300A | * | * | * | * | 2 | Screw | 止メネジ |
| 22 | VC000522B700 | * | * | * | * | 1 | Looper Thread Take-up Cam | 下糸調子カム |
| 23 | VMH05320400A | * | * | * | * | 2 | Screw | 止メネジ |
| 24 | VC000524B700 | * | * | * | * | 1 | Thread Guide Seat | カム糸道取付板 |
| 25 | VMB03200506K | * | * | * | * | 3 | Screw | 止メネジ |
| 26 | VC000547OR | * | * | * | * | 2 | O-ring | Oリング |
| 27 | VC000527B700 | * | * | * | * | 1 | Thread Guide | カム糸道 (左) |
| 28 | VC000528B700 | * | * | * | * | 1 | Thread Guide | カム糸道 (右) |
| 29 | VMB75180405A | * | * | * | * | 2 | Screw | 止メネジ |
| 30 | VC000530A500 | * | * | * | * | 1 | Bracket | カム糸道取付台 |
| 31 | VMN04280400A | * | * | * | * | 1 | Screw | 止メネジ |
| 32 | VMN06403500B | * | * | * | * | 1 | Screw | ストッパーネジ |
| 33 | VMA06400510A | * | * | * | * | 1 | Nut | ロックナット |
| 34 | VC000534A800 | * | * | * | * | 1 | Spring | 戻シバネ |
| 35 | VMB03200506K | * | * | * | * | 1 | Screw | 止メネジ |
| 36 | VC000536ST | * | * | * | * | 1 | Pin | ピン |
| 37 | VC000537A300 | * | * | * | * | 1 | Shaft | 取付台軸 |
| 38 | VC000538D300 | * | * | * | * | 1 | Collar | カラー |
| 39 | VC000539B700 | * | * | * | * | 1 | Thread Guide | 糸案内 |
| 40 | VC000540PW | * | * | * | * | 1 | Washer | ワッシャー |
| 41 | VC000541B700 | * | * | * | * | 1 | Stopper | ストッパー台 |
| 42 | VMB04280807K | * | * | * | * | 2 | Screw | 止メネジ |
| 43 | VC000543B700 | * | * | * | * | 1 | Stopper | 取付板ストッパー |
| 44 | VC000544A800 | * | * | * | * | 1 | Spring | 取付板ストッパーバネ |
| 45 | VMB03200810R | * | * | * | * | 1 | Screw | 止メネジ |
| 46 | VC000546D600 | * | * | * | * | 1 | Rubber | 取付台クッション |

6. Upper Main Shaft Components

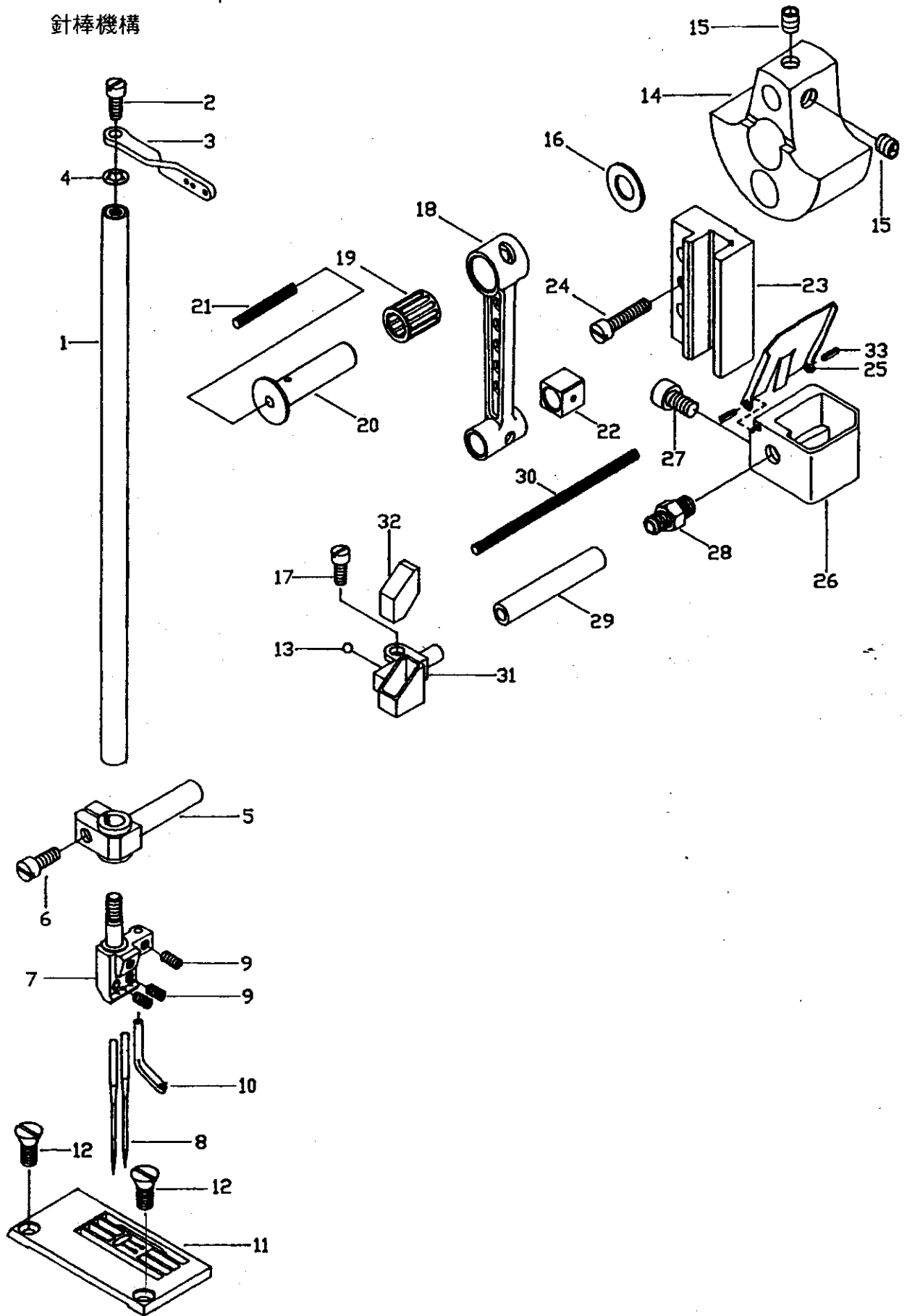
上軸 / 糸繰り機構



| NO | PART NO. | 755U | | 756U | | QTY | DESCRIPTION | 名 称 |
|----|--------------|------|-----|------|-----|-----|----------------|--------------|
| | | 200 | 300 | 200 | 300 | | | |
| 1 | VC000601C200 | * | * | * | * | 1 | Handwheel | ハズミ車 |
| 2 | VMN06400800C | * | * | * | * | 2 | Screw | 止メネジ |
| 3 | VMN06400600A | * | * | * | * | 10 | Screw | 止メネジ |
| 4 | VC000604F700 | * | * | * | * | 1 | Cover | ハズミ車カバー |
| 5 | VC000506BB | * | * | * | * | 2 | Ball Bearing | ボールベアリング |
| 6 | VC000606A300 | * | * | * | * | 1 | Joint | アダプタ |
| 7 | VC000607TB | * | * | * | * | 1 | Timing Belt | タイミングベルト |
| 8 | VC000608B300 | * | * | * | * | 1 | Timing Pulley | ベルトプリー (上) |
| 9 | VC000609A300 | * | * | * | * | 1 | Shaft | 上軸 (右) |
| 10 | VC000610D300 | * | * | * | * | 1 | Joint | 上軸継手 |
| 11 | VC000509B400 | * | * | * | * | 1 | Balance Weight | バランスウエイト (小) |
| 12 | VMB04280807K | * | * | * | * | 2 | Screw | 止メネジ |
| 13 | VC000613A300 | * | * | * | * | 1 | Crank Shaft | 上軸クランク |
| 14 | VC000614CR | * | * | * | * | 1 | C-ring | Cリング |
| 15 | VC000615BB | * | * | * | * | 2 | Ball Bearing | ボールベアリング |
| 16 | VMN06400500A | * | * | * | * | 2 | Screw | 止メネジ |
| 17 | VC000617A600 | * | * | * | * | 1 | Rubber Seat | ゴム座 |
| 18 | VMN08401600A | * | * | * | * | 1 | Screw | 止メネジ |
| 19 | VC000619C100 | * | * | * | * | 1 | Connecting Rod | 針糸繰りロッド |
| 20 | VMB95301407K | * | * | * | * | 2 | Screw | 止メネジ |
| 21 | VMB85241006K | * | * | * | * | 2 | Screw | 止メネジ |
| 22 | VC000622E200 | * | * | * | * | 1 | Orient Guide | 振レ止メ |
| 23 | VMB03200806K | * | * | * | * | 2 | Screw | 止メネジ |
| 24 | VC000624A100 | * | * | * | * | 1 | Ball Lever | 針糸繰り軸腕 |
| 25 | VMM06401510A | * | * | * | * | 1 | Screw | 止メネジ |
| 26 | VMM05321009A | * | * | * | * | 1 | Screw | 止メネジ |
| 27 | VC000627B700 | * | * | * | * | 1 | Washer | ワッシャー |
| 28 | VC000628D300 | * | * | * | * | 1 | Spacer | スペーサ |
| 29 | VC000629A300 | * | * | * | * | 1 | Shaft | 針糸繰り軸 |
| 30 | VC000630D100 | * | * | * | * | 1 | Bracket | 針糸繰り台 |
| 31 | VC000631SW | * | * | * | * | 1 | Spring Washer | スプリングワッシャー |
| 32 | VMM05321409A | * | * | * | * | 1 | Screw | 止メネジ |
| 33 | VC000633B700 | * | * | * | * | 1 | Thread Take-up | 針糸繰り糸道 |
| 34 | VC000634B700 | * | * | * | * | 1 | Thread Take-up | 針糸繰り |
| 35 | VMB85240806K | * | * | * | * | 2 | Screw | 止メネジ |
| 36 | VMN08402100D | * | * | * | * | 1 | Screw | 止メネジ |
| 37 | VMB85240607K | * | * | * | * | 2 | Screw | 止メネジ |

7. Needle Bar Components

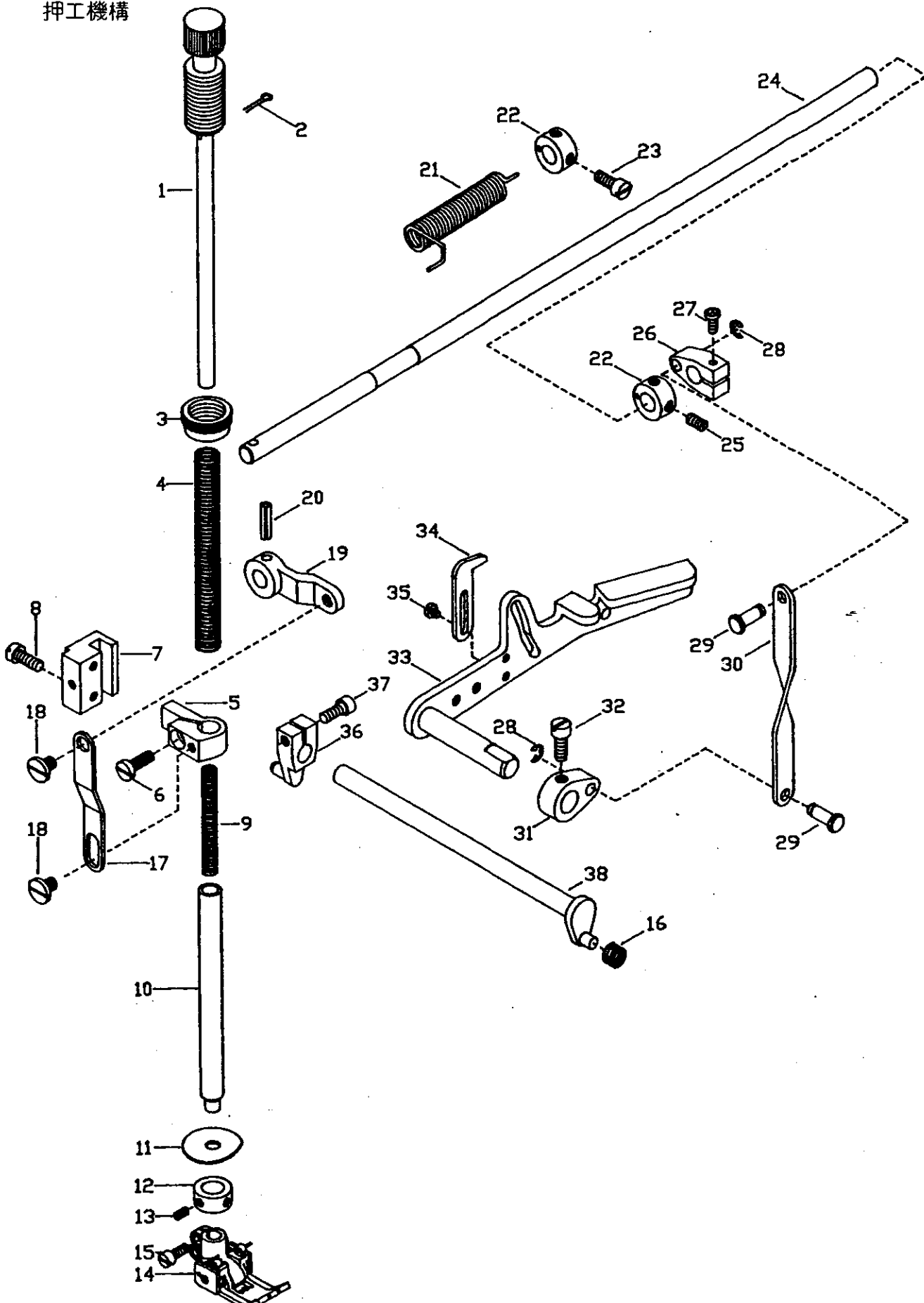
針棒機構



| NO | PART NO. | 755U | | 756U | | QTY | DESCRIPTION | 名 称 |
|----|--------------|------|-----|------|-----|-----|--|-------------------------------------|
| | | 200 | 300 | 200 | 300 | | | |
| 1 | VC000701B300 | * | * | * | * | 1 | Needle Bar | 針棒 |
| 2 | VMB85240607K | * | * | * | * | 1 | Screw | 止メネジ |
| 3 | VC000703B700 | * | * | * | * | 1 | Thread Guide | 針棒糸道 |
| 4 | VC000704B700 | * | * | * | * | 1 | Washer | ワッシャー |
| 5 | VC000705E200 | * | * | * | * | 1 | Needle Bar Clamp | 針棒抱キ |
| 6 | VMB95301107K | * | * | * | * | 1 | Screw | 止メネジ |
| 7 | VNCC00400 | * | * | * | * | 1 | Needle Clamp (Gauge; 4.0mm) | 針止メ (ゲージ; 4.0mm) |
| 7 | VNCC00480 | * | * | * | * | 1 | Needle Clamp (Gauge; 4.8mm) | 針止メ (ゲージ; 4.8mm) |
| 7 | VNCC00560 | * | * | * | * | 1 | Needle Clamp (Gauge; 5.6mm) | 針止メ (ゲージ; 5.6mm) |
| 7 | VNCC00640 | * | * | * | * | 1 | Needle Clamp (Gauge; 6.4mm) | 針止メ (ゲージ; 6.4mm) |
| 8 | N36510-510 | * | * | * | * | 2 | Needle (N3651-05#10) (Gauge; 4.0/4.8mm) | 針 (N3651-05#10) (ゲージ; 4.0/4.8mm) |
| 8 | N36510-511 | * | * | * | * | 2 | Needle (N3651-05#11) (Gauge; 5.6/6.4mm) | 針 (N3651-05#11) (ゲージ; 5.6/6.4mm) |
| 8 | N36510-511 | * | * | * | * | 3 | Needle (N3651-05#11) (Gauge; 5.6/6.4mm) | 針 (N3651-05#11) (ゲージ; 5.6/6.4mm) |
| 9 | VSH32440300A | * | * | * | * | 2 | Screw | 止メネジ |
| 9 | VSH32440300A | * | * | * | * | 3 | Screw | 止メネジ |
| 9 | VSH32440300A | * | * | * | * | 4 | Screw | 止メネジ |
| 10 | VC000710B700 | * | * | * | * | 1 | Thread Guide | 飾り糸道 |
| 11 | VTPC00400 | * | * | * | * | 1 | Needle Plate (Gauge; 4.0mm) | 針板 (ゲージ; 4.0mm) |
| 11 | VTPC00480 | * | * | * | * | 1 | Needle Plate (Gauge; 4.8mm) | 針板 (ゲージ; 4.8mm) |
| 11 | VTPC00560 | * | * | * | * | 1 | Needle Plate (Gauge; 5.6mm) | 針板 (ゲージ; 5.6mm) |
| 11 | VTPC00640 | * | * | * | * | 1 | Needle Plate (Gauge; 6.4mm) | 針板 (ゲージ; 6.4mm) |
| 12 | VSF36400706A | * | * | * | * | 2 | Screw | 止メネジ |
| 13 | V6030403G300 | * | * | * | * | 1 | Plug | プラグ |
| 14 | VC000714B100 | * | * | * | * | 1 | Balance Weight | バランスウエイト |
| 15 | VMN06400500A | * | * | * | * | 2 | Screw | 止メネジ |
| 16 | VC000716B700 | * | * | * | * | 1 | Washer | 針棒ロッドリング |
| 17 | VMB04280807K | * | * | * | * | 1 | Screw | 止メネジ |
| 18 | VC000718E200 | * | * | * | * | 1 | Connecting Rod | 針棒ロッド |
| 19 | VC000719NB | * | * | * | * | 1 | Needle Bearing | ニードルベアリング |
| 20 | VC000720A300 | * | * | * | * | 1 | Rod Pin | 針棒ロッドピン |
| 21 | V6800 | * | * | * | * | 1 | Oil Wick | オイルウィック |
| 22 | VC000722G300 | * | * | * | * | 1 | Slide Block | 針棒スライドブロック |
| 23 | VC000723E200 | * | * | * | * | 1 | Guide Block | 針棒案内 |
| 24 | VMB04281607K | * | * | * | * | 2 | Screw | 止メネジ |
| 25 | VC000725B700 | * | * | * | * | 1 | Cooler Oil Tank Cover | オイルタンクカバー |
| 26 | VC000726D200 | * | * | * | * | 1 | Cooler Oil Tank | オイルタンク |
| 27 | VMC04280807D | * | * | * | * | 2 | Screw | 止メネジ |
| 28 | V6031539G300 | * | * | * | * | 1 | Joint | パイプ継手 |
| 29 | VC000729A600 | * | * | * | * | 1 | Oil Tube | 給油パイプ |
| 30 | V6800 | * | * | * | * | 1 | Oil Wick | オイルウィック |
| 31 | VC000731D200 | * | * | * | * | 1 | Felt Seat | フェルト座 |
| 32 | VC000732L700 | * | * | * | * | 1 | Felt | フェルト |
| 33 | VC000360SP | * | * | * | * | 2 | Spring Pin | スプリングピン |

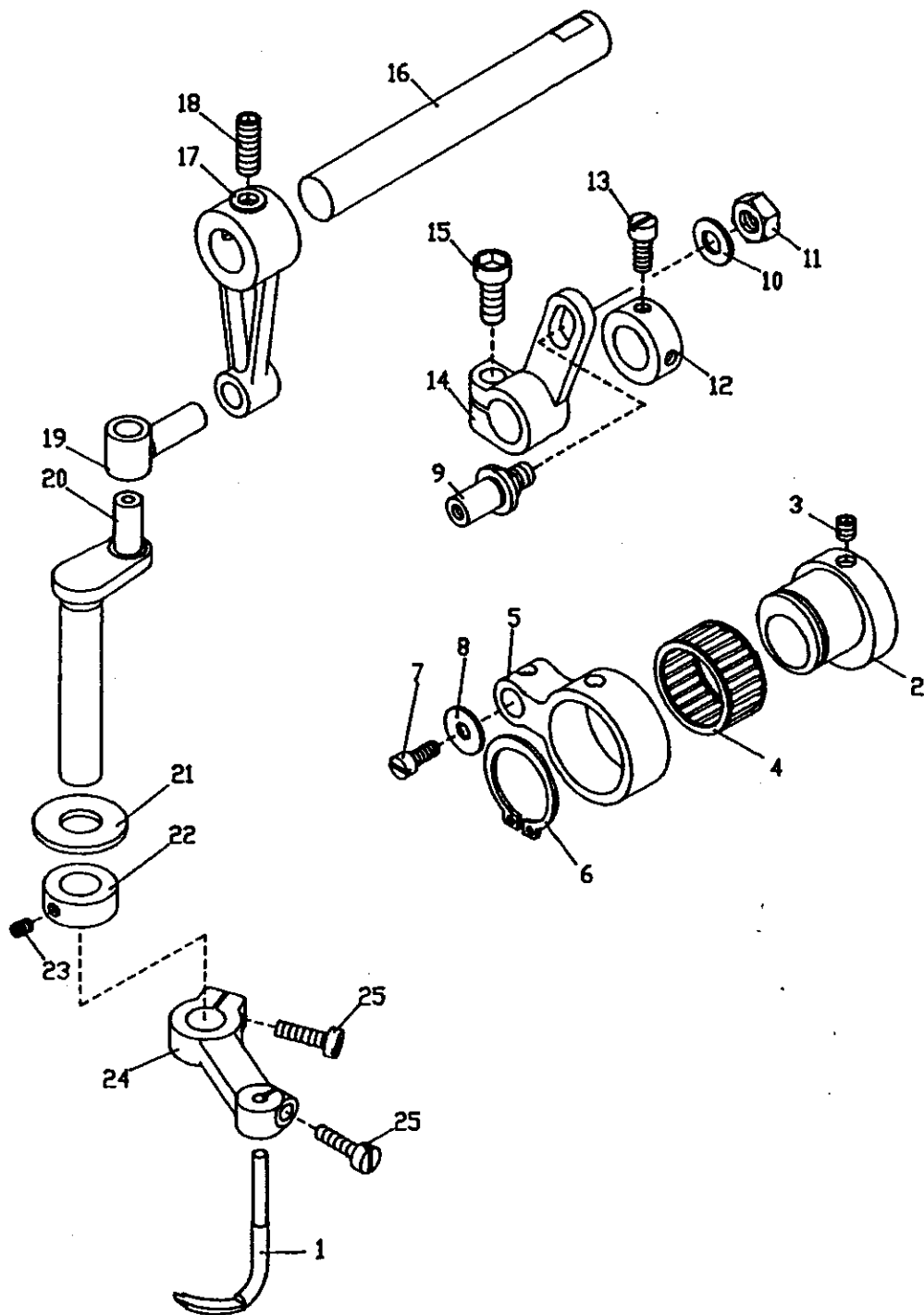
8. Presser Foot Components

押工機構



| NO. | PART NO. | 755U | | 756U | | QTY | DESCRIPTION | 名 称 |
|-----|--------------|------|-----|------|-----|-----|-----------------------------|----------------------|
| | | 200 | 300 | 200 | 300 | | | |
| 1 | VC000801C300 | * | * | * | * | 1 | Spring Regualtor | 押工調節ネジ |
| 2 | VMB05320509G | * | * | * | * | 1 | Stud | 止メネジ |
| 3 | VC000803D300 | * | * | * | * | 1 | Nut | ロックナット |
| 4 | VC000804A800 | * | * | * | * | 1 | Spring | 押工棒バネ (大) |
| 5 | VC000805A100 | * | * | * | * | 1 | Presser Bar Clamp | 押工棒抱キ |
| 6 | VMC95300808E | * | * | * | * | 1 | Screw | 止メネジ |
| 7 | VC000807E200 | * | * | * | * | 1 | Guide Block | 押工棒案内 |
| 8 | VMC95301608E | * | * | * | * | 2 | Screw | 止メネジ |
| 9 | VC000809A800 | * | * | * | * | 1 | Spring | 押工棒バネ (小) |
| 10 | VC000810A300 | * | * | * | * | 1 | Presser Bar | 押工棒 |
| 11 | VC000811A600 | * | * | * | * | 1 | Oil Separator | 油切りリング |
| 12 | VC000812D300 | * | * | * | * | 1 | Stop Collar | ストッパーカラー |
| 13 | VMH85240300A | * | * | * | * | 2 | Screw | 止メネジ |
| 14 | VPFC00400 | * | * | * | * | 1 | Presser Foot (Gauge; 4.0mm) | 押工 (組) (ゲージ; 4.0 mm) |
| 14 | VPFC00480 | * | * | * | * | 1 | Presser Foot (Gauge; 4.8mm) | 押工 (組) (ゲージ; 4.8 mm) |
| 14 | VPFC00560 | * | * | * | * | 1 | Presser Foot (Gauge; 5.6mm) | 押工 (組) (ゲージ; 5.6 mm) |
| 14 | VPFC00640 | * | * | * | * | 1 | Presser Foot (Gauge; 6.4mm) | 押工 (組) (ゲージ; 6.4 mm) |
| 15 | VSC36400705A | * | * | * | * | 1 | Screw | 止メネジ |
| 16 | VC000816A800 | * | * | * | * | 1 | Spring | 防振バネ |
| 17 | VC000817B700 | * | * | * | * | 1 | Link | 吊りリンク |
| 18 | VMB05320509G | * | * | * | * | 1 | Stud | 止メネジ |
| 19 | VC000819B100 | * | * | * | * | 1 | Lever | 吊りリンクレバー |
| 20 | VC000820SP | * | * | * | * | 1 | Spring Pin | スプリングピン |
| 21 | VC000821A800 | * | * | * | * | 1 | Spring | 押工上ゲバネ |
| 22 | VC000822D300 | * | * | * | * | 2 | Collar | カラー |
| 23 | VMC95300606F | * | * | * | * | 2 | Screw | 止メネジ |
| 24 | VC000824D300 | * | * | * | * | 1 | Shaft | 押工上ゲ軸 |
| 25 | VMC95300606F | * | * | * | * | 2 | Screw | 止メネジ |
| 26 | VC000826E200 | * | * | * | * | 1 | Lever | 押工上ゲ中レバー |
| 27 | VMM04281407A | * | * | * | * | 1 | Screw | 止メネジ |
| 28 | VC000828ER | * | * | * | * | 2 | E-ring | Eリング |
| 29 | VC000829C300 | * | * | * | * | 2 | Connecting Pin | 連結ピン |
| 30 | VC000830B700 | * | * | * | * | 1 | Link | 連結リンク |
| 31 | VC000831E200 | * | * | * | * | 1 | Lever | 押工上ゲレバー (小) |
| 32 | VMC06401008A | * | * | * | * | 1 | Screw | 止メネジ |
| 33 | VC000833B700 | * | * | * | * | 1 | Lifter Arm | 押工上ゲレバー (大) |
| 34 | VC000834B700 | * | * | * | * | 1 | Stopper | 押工上ゲレバー (大) ストッパー |
| 35 | VMB85240607K | * | * | * | * | 2 | Screw | 止メネジ |
| 36 | VC000836E200 | * | * | * | * | 1 | Drive Arm | 糸ユルメ腕 |
| 37 | VMK95301407A | * | * | * | * | 1 | Screw | 止メネジ |
| 38 | VC000838E200 | * | * | * | * | 1 | Shaft | 糸ユルメ軸 |

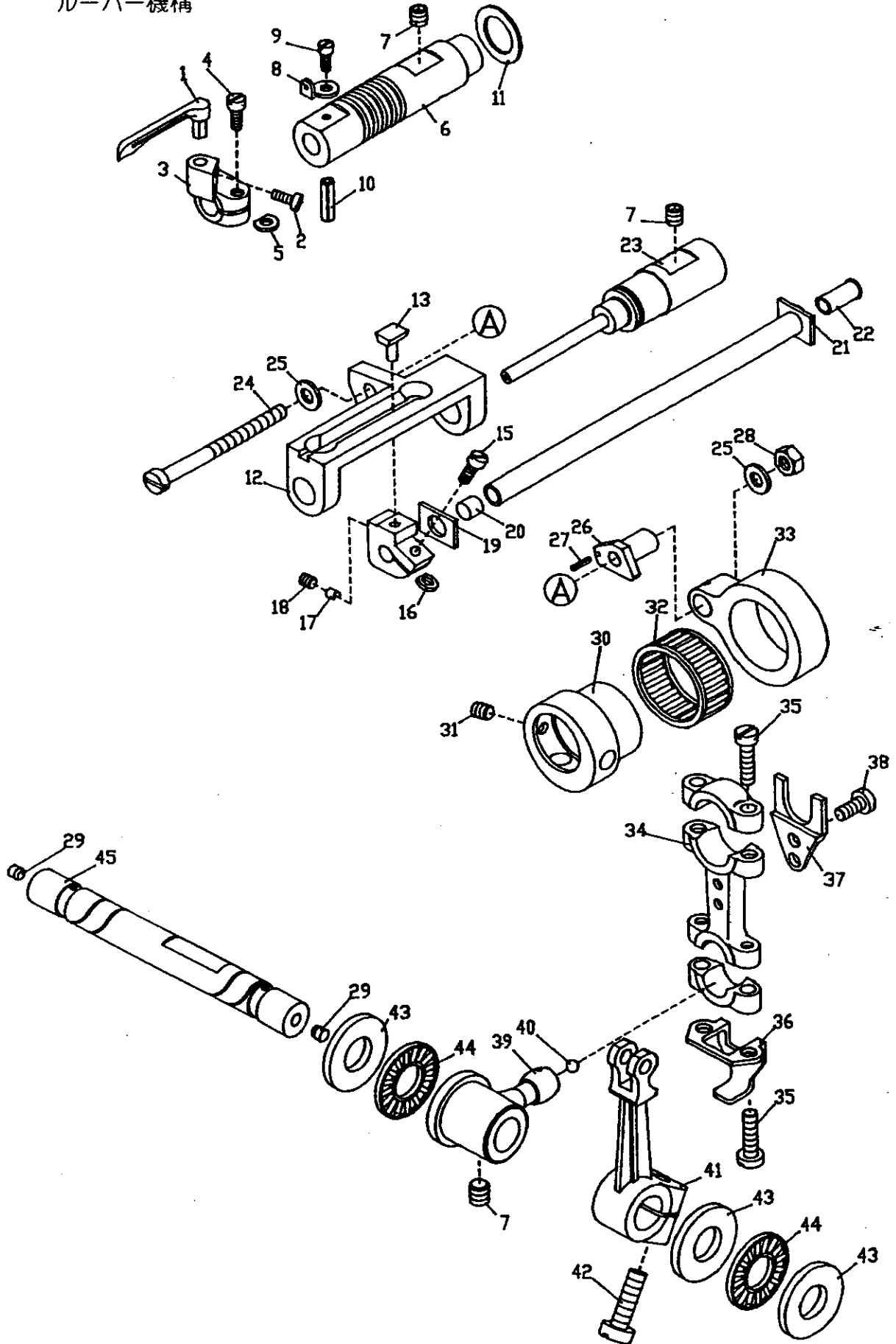
9. Spreader Mechanism
飾り系ルーパー機構



| NO | PART NO. | 755U | | 756U | | QTY | DESCRIPTION | 名 称 |
|----|--------------|------|-----|------|-----|-----|----------------|-----------|
| | | 200 | 300 | 200 | 300 | | | |
| 1 | VSLC00560 | | | * | * | 1 | Spreader | 飾り糸ルーバー |
| 2 | VC000902A300 | | | * | * | 1 | Eccentric | 飾り糸ルーバー偏心 |
| 3 | VMN05320500A | | | * | * | 2 | Screw | 止メネジ |
| 4 | VC000904NB | | | * | * | 1 | Needle Bearing | ニードルベアリング |
| 5 | VC000905A100 | | | * | * | 1 | Connecting Rod | ルーバーロッド |
| 6 | VC000906CR | | | * | * | 1 | C-ring | Cリング |
| 7 | VMB04280807K | | | * | * | 1 | Screw | 止メネジ |
| 8 | VC000908B700 | | | * | * | 1 | Washer | ワッシャー |
| 9 | VC000909A300 | | | * | * | 1 | Rod Pin | 調節レバーピン |
| 10 | VC000910PW | | | * | * | 1 | Washer | ワッシャー |
| 11 | VMA06400510B | | | * | * | 1 | Nut | ナット |
| 12 | VC000912D300 | | | * | * | 1 | Collar | カラー |
| 13 | VMC95300606F | | | * | * | 2 | Screw | 止メネジ |
| 14 | VC000914A100 | | | * | * | 1 | Lever | 調節レバー |
| 15 | VMM06401510A | | | * | * | 1 | Screw | 止メネジ |
| 16 | VC000916A300 | | | * | * | 1 | Shaft | ルーバー軸 |
| 17 | VC000917E200 | | | * | * | 1 | Connecting Rod | ルーバー振り腕 |
| 18 | VMN06400600A | | | * | * | 2 | Screw | 止メネジ |
| 19 | VC000919E200 | | | * | * | 1 | Rod Pin | ルーバー振りピン |
| 20 | VC000920A100 | | | * | * | 1 | Crank Shaft | ルーバー棒 |
| 21 | VC000921B700 | | | * | * | 1 | Washer | ワッシャー |
| 22 | VC000922D300 | | | * | * | 1 | Collar | カラー |
| 23 | VMH85240500A | | | * | * | 2 | Screw | 止メネジ |
| 24 | VC000924D100 | | | * | * | 1 | Spreader Arm | 飾り糸ルーバー台 |
| 25 | VMB04281207K | | | * | * | 2 | Screw | 止メネジ |

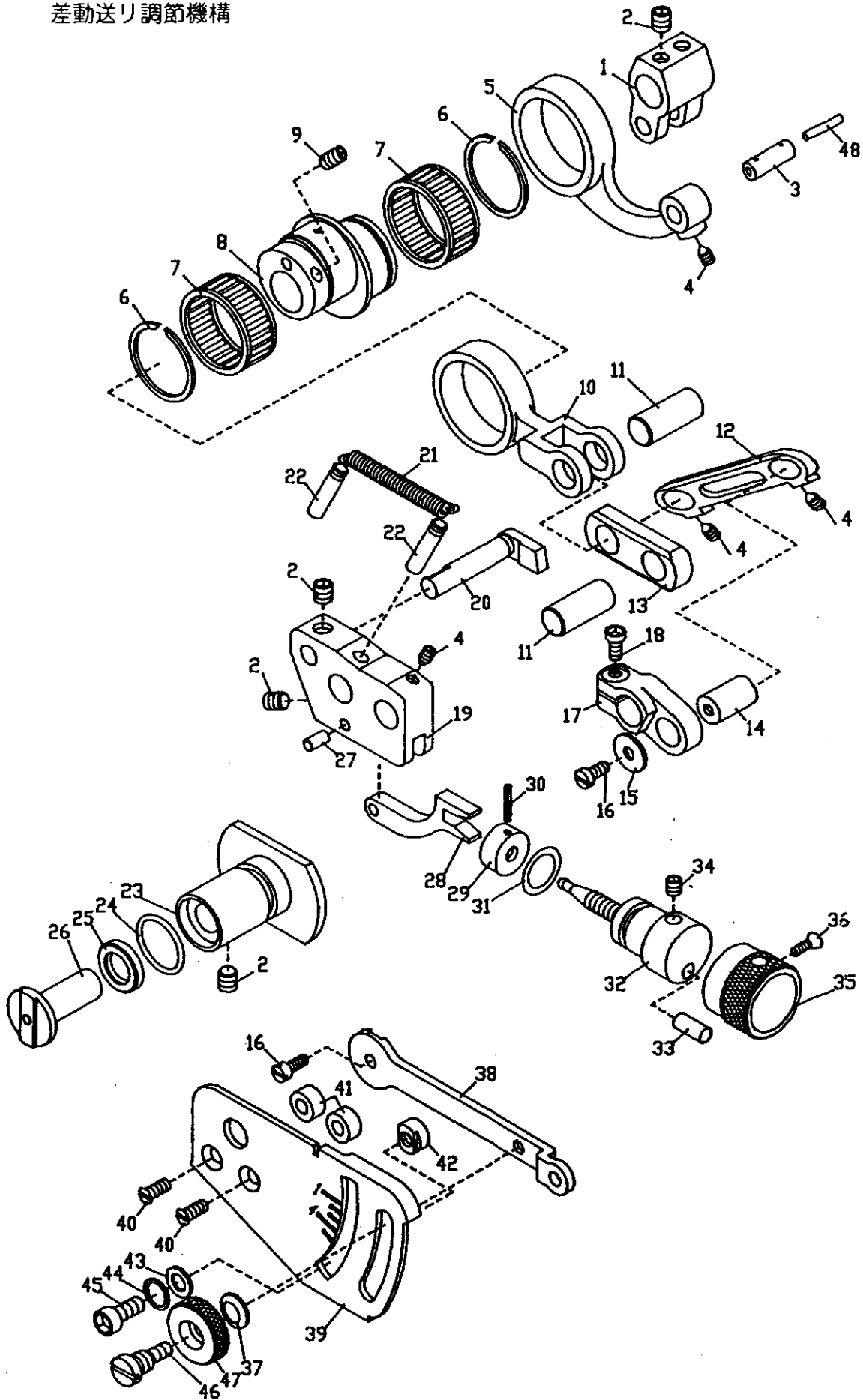
10. Looper Driving Mechanism

ルーパー機構



| NO. | PART NO. | 755U | | 756U | | QTY | DESCRIPTION | 名 称 |
|-----|--------------|------|-----|------|-----|-----|------------------|-------------|
| | | 200 | 300 | 200 | 300 | | | |
| 1 | VLLC00560 | * | * | * | * | 1 | Looper | ルーパー |
| 2 | VMB85240605A | * | * | * | * | 1 | Screw | 止メネジ |
| 3 | VC001003D100 | * | * | * | * | 1 | Looper Holder | ルーパー台 |
| 4 | VMB85241106A | * | * | * | * | 1 | Screw | 止メネジ |
| 5 | VC001005R700 | * | * | * | * | 1 | Washer | ワッシャー |
| 6 | VC001006A300 | * | * | * | * | 1 | Bushing | ルーパー棒メタル |
| 7 | VMN06400600A | * | * | * | * | 4 | Screw | 止メネジ |
| 8 | VC001008B700 | * | * | * | * | 1 | Thread Guide | ルーパー糸道 |
| 9 | VMD03200306A | * | * | * | * | 1 | Screw | 止メネジ |
| 10 | VC000820SP | * | * | * | * | 1 | Spring Pin | スプリングピン |
| 11 | VC001011B700 | * | * | * | * | 1 | Washer | ワッシャー |
| 12 | VC001012E200 | * | * | * | * | 1 | Guide Block | ルーパー棒ガイド |
| 13 | VC001013E200 | * | * | * | * | 1 | Slide Block | スライドブロック |
| 14 | VC001014D100 | * | * | * | * | 1 | Slider Holder | スライドブロック取付台 |
| 15 | VMB85241106A | * | * | * | * | 1 | Screw | 止メネジ |
| 16 | VC001016R700 | * | * | * | * | 1 | Washer | ワッシャー |
| 17 | VC001017D300 | * | * | * | * | 1 | Cushion | スライドブロック押シ |
| 18 | VMN04280400A | * | * | * | * | 1 | Screw | 止メネジ |
| 19 | VC001019P700 | * | * | * | * | 1 | Thrust Plate | スラストワッシャー |
| 20 | VC001020C900 | * | * | * | * | 1 | Plug | プラグ |
| 21 | VC001021A300 | * | * | * | * | 1 | Looper Drive Bar | ルーパー棒 |
| 22 | VC001022G300 | * | * | * | * | 1 | Bushing | ガイド軸メタル |
| 23 | VC001023A300 | * | * | * | * | 1 | Guide Bar | ガイド軸 |
| 24 | VMB05323009B | * | * | * | * | 1 | Screw | 止メネジ |
| 25 | VC001025B700 | * | * | * | * | 1 | Washer | ワッシャー |
| 26 | VC001026E200 | * | * | * | * | 1 | Adjusting Pin | ルーパー前後調節ピン |
| 27 | VC001027SP | * | * | * | * | 1 | Spring Pin | スプリングピン |
| 28 | VMA05300804B | * | * | * | * | 1 | Nut | ナット |
| 29 | VC001029H300 | * | * | * | * | 2 | Plug | プラグ |
| 30 | VC001030A300 | * | * | * | * | 1 | Eccentric | ルーパー前後偏心 |
| 31 | VMN05320500A | * | * | * | * | 1 | Screw | 止メネジ |
| 32 | VC001032NB | * | * | * | * | 1 | Needle Bearing | ニードルベアリング |
| 33 | VC001033E200 | * | * | * | * | 1 | Rod | ルーパー前後ロッド |
| 34 | VC001034C100 | * | * | * | * | 1 | Connecting Rod | ルーパーロッド |
| 35 | VMB95301407K | * | * | * | * | 4 | Screw | 止メネジ |
| 36 | VC001036B700 | * | * | * | * | 1 | Oil Splasher | オイルブラッシャー |
| 37 | VC001037B700 | * | * | * | * | 1 | Orient Guide | 振レ止メ |
| 38 | VMC95300808E | * | * | * | * | 2 | Screw | 止メネジ |
| 39 | VC001039A100 | * | * | * | * | 1 | Lever | ルーパー軸腕 |
| 40 | V6030403G300 | * | * | * | * | 1 | Plug | プラグ |
| 41 | VC001041A100 | * | * | * | * | 1 | Rocker Arm | ルーパー振り腕 |
| 42 | VMM06401510A | * | * | * | * | 1 | Screw | 止メネジ |
| 43 | VC001043S700 | * | * | * | * | 3 | Thrust Washer | スラストワッシャー |
| 44 | VC001044PB | * | * | * | * | 2 | Thrust Bearing | スラストベアリング |
| 45 | VC001045A300 | * | * | * | * | 1 | Shaft | ルーパー軸 |

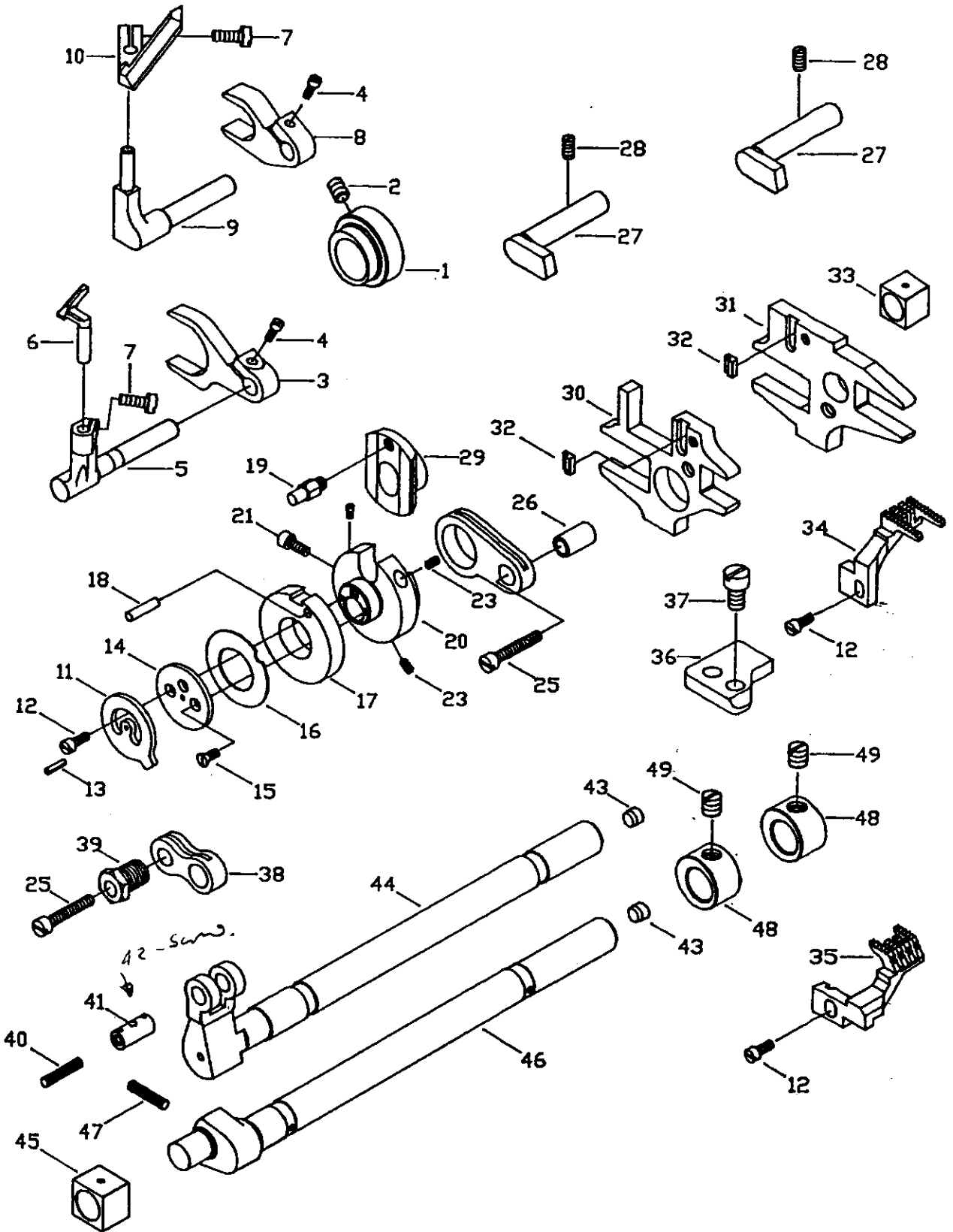
11. Feed Control Driving
差動送り調節機構



| NO | PART NO. | 755U | | 756U | | QTY | DESCRIPTION | 名称 |
|----|--------------|------|-----|------|-----|-----|-----------------|----------------|
| | | 200 | 300 | 200 | 300 | | | |
| 1 | VC001101A100 | * | * | * | * | 1 | Lever | 上下送り軸腕 |
| 2 | VMN06400600A | * | * | * | * | 5 | Screw | 止メネジ |
| 3 | VC001103A300 | * | * | * | * | 1 | Rod Pin | ロッドピン |
| 4 | VMN04280500C | * | * | * | * | 4 | Screw | 止メネジ |
| 5 | VC001105A100 | * | * | * | * | 1 | Rod | 上下送りロッド |
| 6 | VC001106CR | * | * | * | * | 2 | C-ring | Cリング |
| 7 | VC001107NB | * | * | * | * | 2 | Needle Bearing | ニードルベアリング |
| 8 | VC001108A300 | * | * | * | * | 1 | Eccentric | 差動送り偏心 |
| 9 | VMN05320500A | * | * | * | * | 2 | Screw | 止メネジ |
| 10 | VC001110A100 | * | * | * | * | 1 | Rod | 差動送りロッド |
| 11 | VC001111A300 | * | * | * | * | 2 | Rod Pin | ロッドピン |
| 12 | VC001112E200 | * | * | * | * | 1 | Link | 差動送りレバーリンク (長) |
| 13 | VC001113E200 | * | * | * | * | 1 | Link | 差動送りレバーリンク (短) |
| 14 | VC001114A300 | * | * | * | * | 1 | Lever Pin | 差動送りレバーリンクピン |
| 15 | VC001115B700 | * | * | * | * | 1 | Washer | ワッシャー |
| 16 | VMB04280807K | * | * | * | * | 2 | Screw | 止メネジ |
| 17 | VC001117A100 | * | * | * | * | 1 | Lever | 差動送り軸レバー |
| 18 | VMM04281207A | * | * | * | * | 1 | Screw | 止メネジ |
| 19 | VC001119E200 | * | * | * | * | 1 | Bracket | 差動送り調節ブラケット |
| 20 | VC001120E200 | * | * | * | * | 1 | Guide | 差動送りロッドガイド |
| 21 | VC001121A800 | * | * | * | * | 1 | Spring | ブラケットバネ |
| 22 | VC001122D300 | * | * | * | * | 2 | Pin | ピン |
| 23 | VC001123E100 | * | * | * | * | 1 | Bushing | 調節レバー軸メタル |
| 24 | VC001124OR | * | * | * | * | 1 | O-ring | Oリング |
| 25 | VC001125A600 | * | * | * | * | 1 | Oil Seal | オイルシール |
| 26 | VC001126D300 | * | * | * | * | 1 | Shaft | 差動送り調節レバー軸 |
| 27 | VC001127ST | * | * | * | * | 1 | Pin | 差動送り調節リンクピン |
| 28 | VC001128B700 | * | * | * | * | 1 | Link | 差動送り調節リンク |
| 29 | VC001129D300 | * | * | * | * | 1 | Nut | 差動送り調節ナット |
| 30 | VC001130SP | * | * | * | * | 1 | Spring Pin | スプリングピン |
| 31 | VC001131OR | * | * | * | * | 1 | O-ring | Oリング |
| 32 | VC001132D300 | * | * | * | * | 1 | Stud | 調節ネジ |
| 33 | VC001133ST | * | * | * | * | 1 | Stopper Pin | ストッパーピン |
| 34 | VMH04280400A | * | * | * | * | 1 | Screw | 止メネジ |
| 35 | VC001135C300 | * | * | * | * | 1 | Knob | 調節ツマミ |
| 36 | VME03200606A | * | * | * | * | 1 | Screw | 止メネジ |
| 37 | VC001137DW | * | * | * | * | 1 | Disc Washer | 皿バネワッシャー |
| 38 | VC001138B700 | * | * | * | * | 1 | Lever | 差動送り調節レバー |
| 39 | VC001139B700 | * | * | * | * | 1 | Regulator Plate | 差動送り目盛板 |
| 40 | VME04281408A | * | * | * | * | 2 | Screw | 止メネジ |
| 41 | VC001141D300 | * | * | * | * | 2 | Spacer | スペーサ |
| 42 | VC001142D300 | * | * | * | * | 1 | Stopper | 差動送り調節レバーストッパー |
| 43 | VC001143PW | * | * | * | * | 1 | Washer | ワッシャー |
| 44 | VC001144SW | * | * | * | * | 1 | Spring Washer | スプリングワッシャー |
| 45 | VMM05320809A | * | * | * | * | 1 | Screw | 止メネジ |
| 46 | VMB06401108Q | * | * | * | * | 1 | Stud | 止メネジ |
| 47 | VC001147D300 | * | * | * | * | 1 | Nut | ナット |
| 48 | V6800 | * | * | * | * | 1 | Oil Wick | オイルウィック |

12. Needle Guide and Feed Dog Driving

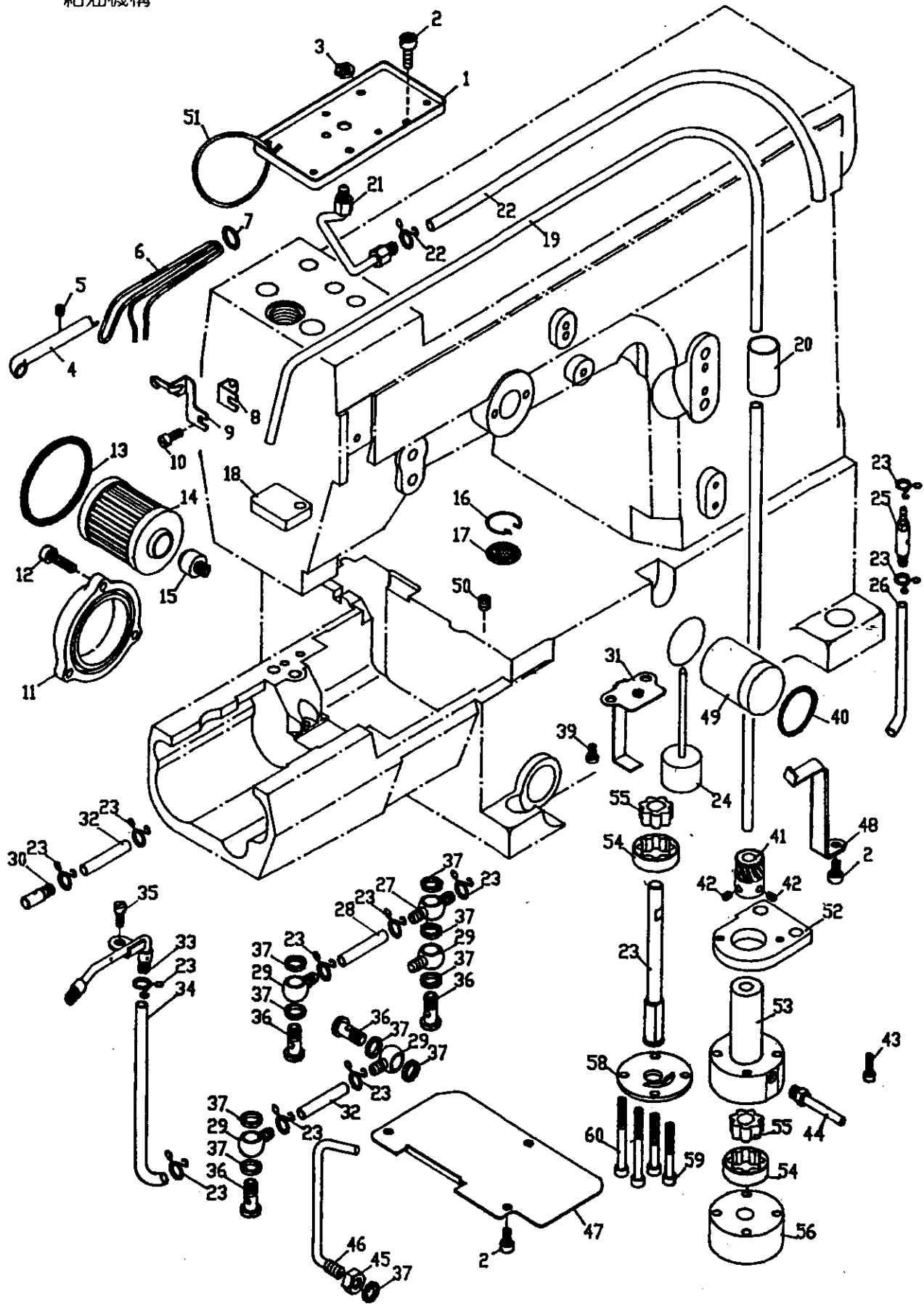
針受ケ / 送り機構



| NO | PART NO. | 755U | | 756U | | QTY | DESCRIPTION | 名称 |
|----|--------------|------|-----|------|-----|-----|---|------------------------------|
| | | 200 | 300 | 200 | 300 | | | |
| 1 | VC001201A300 | * | * | * | * | 1 | Eccentric Cam | 針受ケ (前) 偏心 |
| 2 | VMN05320500A | * | * | * | * | 2 | Screw | 止メネジ |
| 3 | VC001203E200 | * | * | * | * | 1 | Lever | 針受ケ (前) 腕 |
| 4 | VMB03201006A | * | * | * | * | 2 | Screw | 止メネジ |
| 5 | VC001205E200 | * | * | * | * | 1 | Needle Guide Holder | 針受ケ (前) 台 |
| 6 | VNGC00D0 | * | * | * | * | 1 | Needle Guide | 針受ケ (前) |
| 7 | VMB03200606K | * | * | * | * | 2 | Screw | 止メネジ |
| 8 | VC001208E200 | * | * | * | * | 1 | Lever | 針受ケ (後) 腕 |
| 9 | VC001209E200 | * | * | * | * | 1 | Needle Guide Holder | 針受ケ (後) 台 |
| 10 | VNGC00D1 | * | * | * | * | 1 | Needle Guide (Gauge; 4.0/4.8/5.6mm) | 針受ケ (後) (ゲージ; 4.0/4.8/5.6mm) |
| 10 | VNGC00D2 | * | * | * | * | 1 | Needle Guide (Gauge; 6.4mm) | 針受ケ (後) (ゲージ; 6.4 mm) |
| 11 | VC001211B700 | * | * | * | * | 1 | Stopper | 送り調節ストッパー |
| 12 | VMB85240806K | * | * | * | * | 3 | Screw | 止メネジ |
| 13 | VC001027SP | * | * | * | * | 1 | Spring Pin | スプリングピン |
| 14 | VC001214B700 | * | * | * | * | 1 | Presser | 皿バネ押工 |
| 15 | VME02160404A | * | * | * | * | 2 | Screw | 止メネジ |
| 16 | VC001216N700 | * | * | * | * | 1 | Disc Spring | 皿バネ |
| 17 | VC001217E200 | * | * | * | * | 1 | Cam | 送り偏心カム |
| 18 | VC001218ST | * | * | * | * | 1 | Stopper Pin | ストッパーピン |
| 19 | VC001219C300 | * | * | * | * | 1 | Drive Pin | 送り偏心ピン |
| 20 | VC001220B300 | * | * | * | * | 1 | Slide Guide | 送り偏心 (組) |
| 21 | VMB85240605A | * | * | * | * | 1 | Screw | 止メネジ |
| 22 | VMB02160404A | * | * | * | * | 1 | Screw | 止メネジ |
| 23 | VMN04280600A | * | * | * | * | 2 | Screw | 止メネジ |
| 24 | VC001224C100 | * | * | * | * | 1 | Link | 主送りリンク |
| 25 | VMB05321809K | * | * | * | * | 2 | Screw | 止メネジ |
| 26 | VC001226C300 | * | * | * | * | 1 | Bushing | 主送りリンクメタル |
| 27 | VC001227E200 | * | * | * | * | 2 | Guide | 送り台ガイド |
| 28 | VMN06400600A | * | * | * | * | 2 | Screw | 止メネジ |
| 29 | VC001229A300 | * | * | * | * | 1 | Slide Block | スライドブロック |
| 30 | VC001230A100 | * | * | * | * | 1 | Feed Dog Seat | 差動送り台 |
| 31 | VC001231A100 | * | * | * | * | 1 | Feed Dog Seat | 主送り台 |
| 32 | VC001232B400 | * | * | * | * | 2 | Locator Key | キー |
| 33 | VC001233G300 | * | * | * | * | 1 | Slide Block | スライドブロック (後) |
| 34 | VFDC00560 | * | * | * | * | 1 | Main Feed Dog (Gauge; 4.0/4.8/5.6mm) | 主送り歯 (ゲージ; 4.0/4.8/5.6mm) |
| 34 | VFDC00640 | * | * | * | * | 1 | Main Feed Dog (Gauge; 6.4mm) | 主送り歯 (ゲージ; 6.4 mm) |
| 35 | VDFC00560 | * | * | * | * | 1 | Differential Feed Dog (Gauge; 4.0/4.8/5.6mm) | 差動送り歯 (ゲージ; 4.0/4.8/5.6mm) |
| 35 | VDFC00640 | * | * | * | * | 1 | Differential Feed Dog (Gauge; 6.4mm) | 差動送り歯 (ゲージ; 6.4 mm) |
| 36 | VC001236K700 | * | * | * | * | 1 | Guide Block | 送り台ガイド (下) |
| 37 | VMB04281007K | * | * | * | * | 2 | Screw | 止メネジ |
| 38 | VC001238C100 | * | * | * | * | 1 | Link | 差動送りリンク |
| 39 | VC001239C300 | * | * | * | * | 1 | Pin | 差動送り前後調節偏心 |
| 40 | V6800 | * | * | * | * | 1 | Oil Wick | オイルウィック |
| 41 | VC001241C300 | * | * | * | * | 1 | Pin | 差動送りリンクピン |
| 42 | VMN03200400C | * | * | * | * | 1 | Screw | 止メネジ |
| 43 | VC001243H300 | * | * | * | * | 2 | Plug | プラグ |
| 44 | VC001244A100 | * | * | * | * | 1 | Shaft | 差動送り軸 |
| 45 | VC001245G300 | * | * | * | * | 1 | Slide Block | スライドブロック (前) |
| 46 | VC001246A100 | * | * | * | * | 1 | Crank Shaft | 上下送り軸 |
| 47 | V6802 | * | * | * | * | 1 | Oil Wick | オイルウィック |
| 48 | VC001248D300 | * | * | * | * | 2 | Collar | カラー |
| 49 | VMN06400500A | * | * | * | * | 2 | Screw | 止メネジ |

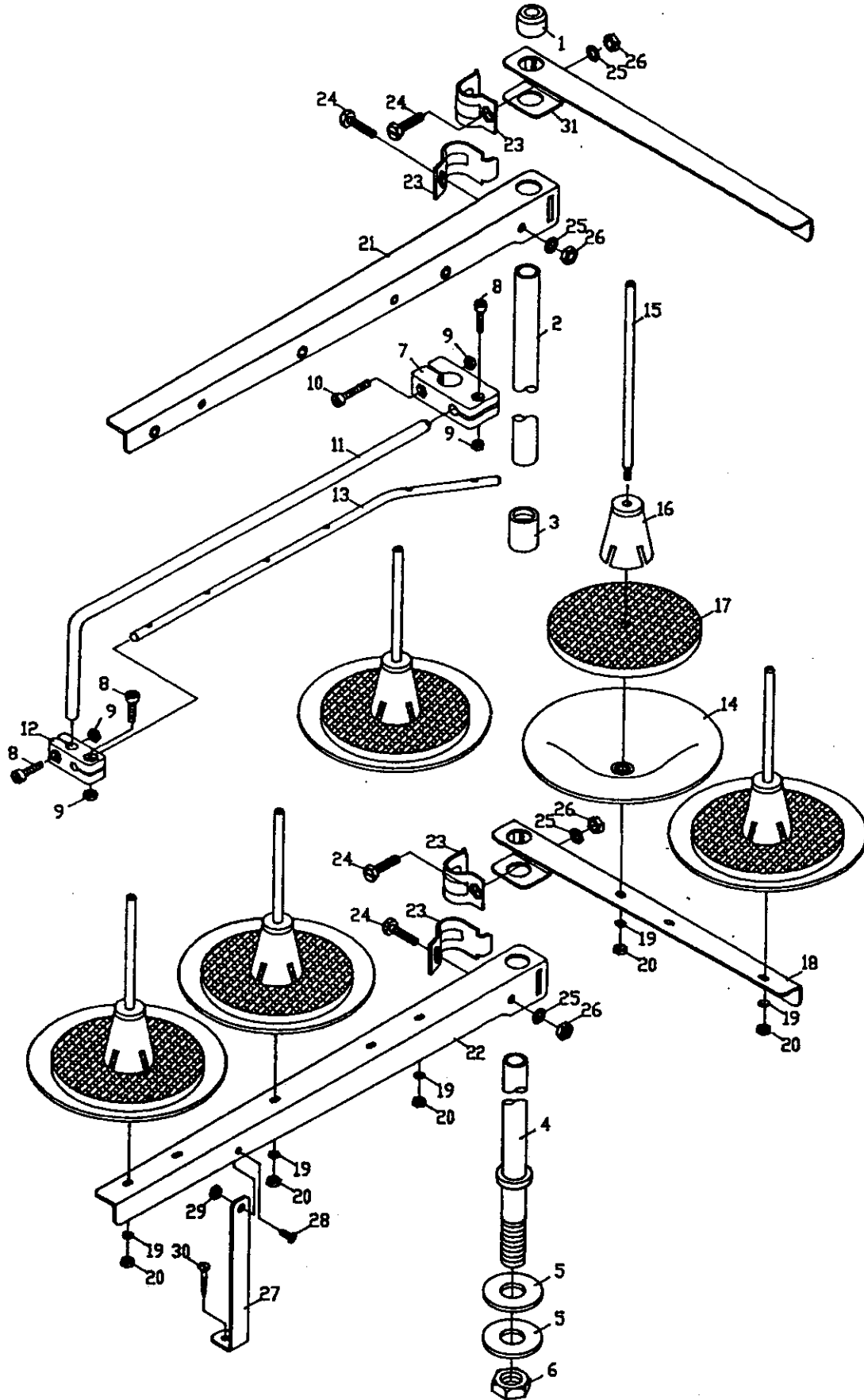
13. Lubrication System

給油機構



| NO | PART NO. | 755U | | 756U | | QTY | DESCRIPTION | 名 称 |
|----|--------------|------|-----|------|-----|-----|---------------------|-----------------|
| | | 200 | 300 | 200 | 300 | | | |
| 1 | VC001301B700 | * | * | * | * | 1 | Oil Receiver | 油受ケ皿 |
| 2 | VMC04280507D | * | * | * | * | 6 | Screw | 止メネジ |
| 3 | VMA05320804B | * | * | * | * | 1 | Nut | ナット |
| 4 | VC001304G300 | * | * | * | * | 1 | Oil Pipe | ロッド給油パイプ |
| 5 | VMN04280400A | * | * | * | * | 1 | Screw | 止メネジ |
| 6 | V6800 | * | * | * | * | 1 | Oil Wick | オイルウィック |
| 7 | VC001307OR | * | * | * | * | 1 | O-ring | Oリング |
| 8 | VC001308B700 | * | * | * | * | 1 | Oil Tube Stay | パイプ支工 |
| 9 | VC001309B700 | * | * | * | * | 1 | Oil Wick Holder | 針棒ロッドオイルウィック支工 |
| 10 | VMB04280807K | * | * | * | * | 1 | Screw | 止メネジ |
| 11 | VC001311C200 | * | * | * | * | 1 | Oil Filter Cover | オイルフィルターキャップ |
| 12 | VMB04281207K | * | * | * | * | 3 | Screw | 止メネジ |
| 13 | VC001313OR | * | * | * | * | 1 | O-ring | Oリング |
| 14 | V6031521OF | * | * | * | * | 1 | Oil Filter | オイルフィルター |
| 15 | VC001315G300 | * | * | * | * | 1 | Oil Filter Joint | オイルフィルター継手 |
| 16 | VC001316A800 | * | * | * | * | 1 | Filter Screen Clamp | オイルフィルタースクリーン押工 |
| 17 | VC001317F700 | * | * | * | * | 1 | Filter Screen | オイルフィルタースクリーン |
| 18 | VC001318L700 | * | * | * | * | 1 | Felt | フェルト |
| 19 | V6692 | * | * | * | * | 1 | Oil Tube | オイルチューブ |
| 20 | VC001332A600 | * | * | * | * | 1 | Oil Tube | オイルチューブ |
| 21 | VC001321G300 | * | * | * | * | 1 | Nozzle | ノズル |
| 22 | V6790 | * | * | * | * | 1 | Oil Tube | オイルチューブ |
| 23 | V6031536A800 | * | * | * | * | 12 | Latch Spring | オイルチューブ止メバネ |
| 24 | VC001324D600 | * | * | * | * | 1 | Indicator | インジケーター |
| 25 | VC001325G300 | * | * | * | * | 1 | One Way Valve | 逆止弁 |
| 26 | V6790 | * | * | * | * | 1 | Oil Tube | オイルチューブ |
| 27 | VC001327G300 | * | * | * | * | 1 | Oil Tube Joint | オイルチューブ継手 |
| 28 | VC001328A600 | * | * | * | * | 1 | Oil Tube | オイルチューブ |
| 29 | VC001329G300 | * | * | * | * | 4 | Oil Tube Joint | オイルチューブ継手 |
| 30 | VC001330G300 | * | * | * | * | 1 | Nozzle | 下軸給油管 |
| 31 | VC001331B700 | * | * | * | * | 1 | Indicator Support | インジケーター支工 |
| 32 | VC001332A600 | * | * | * | * | 1 | Oil Tube | オイルチューブ |
| 33 | VC001333D300 | * | * | * | * | 1 | Oil Tube | オイルチューブ |
| 34 | VC001334A600 | * | * | * | * | 1 | Oil Tube | オイルチューブ |
| 35 | VMB04280807K | * | * | * | * | 1 | Screw | 止メネジ |
| 36 | V6031533D300 | * | * | * | * | 3 | Stud | 管継手ボルト (短) |
| 37 | V6031534E600 | * | * | * | * | 10 | Seal | パッキン |
| 38 | VC001338C300 | * | * | * | * | 1 | Stud | 管継手ボルト (長) |
| 39 | VMC04280507D | * | * | * | * | 2 | Screw | 止メネジ |
| 40 | V6030320A600 | * | * | * | * | 1 | O-ring | Oリング |
| 41 | VC001341A300 | * | * | * | * | 1 | Worm Gear | ウォームギア |
| 42 | VMH85240500A | * | * | * | * | 2 | Screw | 止メネジ |
| 43 | VMM06401510A | * | * | * | * | 2 | Screw | 止メネジ |
| 44 | VC001344G300 | * | * | * | * | 1 | Oil Tube | 吸入パイプ |
| 45 | VMA06400510B | * | * | * | * | 1 | Nut | ナット |
| 46 | VC001346G300 | * | * | * | * | 1 | Nozzle | 給油パイプ |
| 47 | VC001347B700 | * | * | * | * | 1 | Separate | 防塵板 |
| 48 | VC001348B700 | * | * | * | * | 1 | Oil Tube Holder | オイルチューブ支工 |
| 49 | VC001349B600 | * | * | * | * | 1 | Oil Gauge | オイルゲージ |
| 50 | VMN06400600A | * | * | * | * | 1 | Screw | 止メネジ |
| 51 | V6800 | * | * | * | * | 1 | Oil Wick | オイルウィック |
| 52 | VC001352B700 | * | * | * | * | 1 | Pump Seat | オイルポンプ座 |
| 53 | VC001353A500 | * | * | * | * | 1 | Pump Body | オイルポンプ体 |
| 54 | VC001354A500 | * | * | * | * | 2 | Outside Rotor | ローター (外) |
| 55 | VC001355A500 | * | * | * | * | 2 | Inside Rotor | ローター (内) |
| 56 | VC001356A500 | * | * | * | * | 1 | Rotor Case | ローターケース |
| 57 | VC001357D300 | * | * | * | * | 1 | Shaft | オイルポンプ軸 |
| 58 | VC001358B700 | * | * | * | * | 1 | Cover | オイルポンプカバー |
| 59 | VMM04283007B | * | * | * | * | 2 | Screw | 止メネジ |
| 60 | VMM04284007B | * | * | * | * | 2 | Screw | 止メネジ |

14. Thread Stand
糸立台



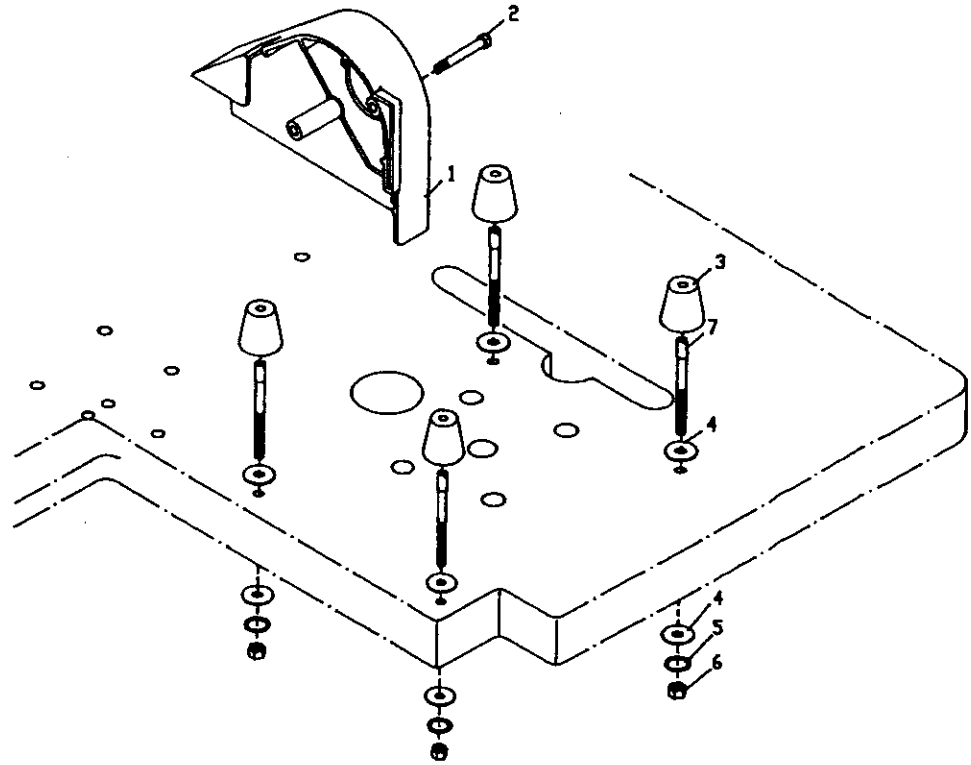
| NO | PART NO. | /35U | | /35U | | QTY | DESCRIPTION | 名 称 |
|----|----------|------|-----|------|-----|-----|------------------------|------------|
| | | 200 | 300 | 200 | 300 | | | |
| 1 | V67051 | * | * | * | * | 1 | Rod Cap | 糸立取付軸キャップ |
| 2 | V67052 | * | * | * | * | 1 | Upper Thread Stand Rod | 糸立取付軸 (上) |
| 3 | V67053 | * | * | * | * | 1 | Joint | 糸立取付軸継手 |
| 4 | V67054 | * | * | * | * | 1 | Lower Thread Stand Rod | 糸立取付軸 (下) |
| 5 | V67055 | * | * | * | * | 2 | Washer | ワッシャー |
| 6 | V67056 | * | * | * | * | 1 | Nut | ナット |
| 7 | V67057 | * | * | * | * | 1 | Bracket | 糸案内支工 |
| 8 | V67058 | * | * | * | * | 3 | Screw | 止メネジ |
| 9 | V67059 | * | * | * | * | 4 | Nut | ナット |
| 10 | V670510 | * | * | * | * | 1 | Screw | 止メネジ |
| 11 | V670511 | * | * | * | * | 1 | Arm | 糸案内支工棒 |
| 12 | V670512 | * | * | * | * | 1 | Bracket | 糸案内支工 |
| 13 | V670513 | * | * | * | * | 1 | Thread Guide | 糸案内 |
| 14 | V670514 | * | * | * | * | 5 | Spool Set | 糸立皿 |
| 15 | V670515 | * | * | * | * | 5 | Spool Pin | スプールピン |
| 16 | V670516 | * | * | * | * | 5 | Spool Retaining Fin | スプールホルダー |
| 17 | V670517 | * | * | * | * | 5 | Seat | 糸立皿クッション |
| 18 | V67061 | * | * | * | * | 1 | Spool Set Bracket | 糸立腕 |
| 19 | V670519 | * | * | * | * | 5 | Spring Washer | スプリングワッシャー |
| 20 | V670520 | * | * | * | * | 5 | Nut | ナット |
| 21 | V670521 | * | * | * | * | 1 | Thread Guide | 糸立糸案内 |
| 22 | V670522 | * | * | * | * | 1 | Spool Set Bracket | 糸立腕 |
| 23 | V670523 | * | * | * | * | 4 | Clamp | 糸立腕締メ金 |
| 24 | V670524 | * | * | * | * | 4 | Screw | 止メネジ |
| 25 | V670525 | * | * | * | * | 4 | Spring Washer | スプリングワッシャー |
| 26 | V670526 | * | * | * | * | 4 | Nut | ナット |
| 27 | V670527 | * | * | * | * | 1 | Support Rod | 糸立腕支工 |
| 28 | V670528 | * | * | * | * | 1 | Screw | 止メネジ |
| 29 | V670529 | * | * | * | * | 1 | Nut | ナット |
| 30 | V670530 | * | * | * | * | 1 | Wood Screw | 木ネジ |
| 31 | V670531 | * | * | * | * | 1 | Thread Guide | 糸立糸案内 |

15 Supporting Board

受ヶ板

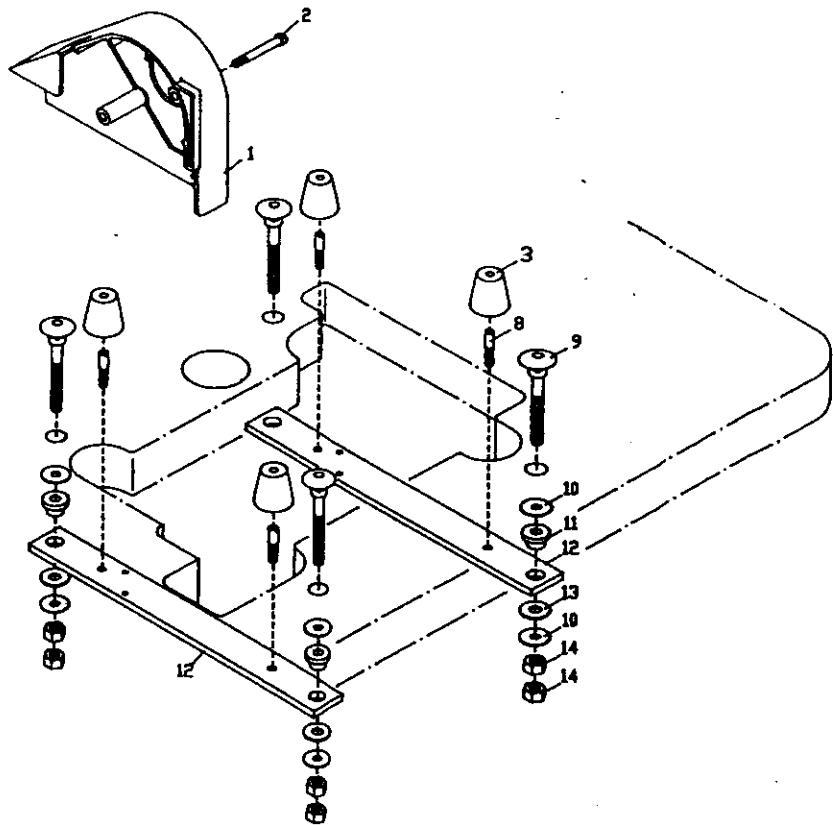
Standard Type

上載式



Semi-submerged Type

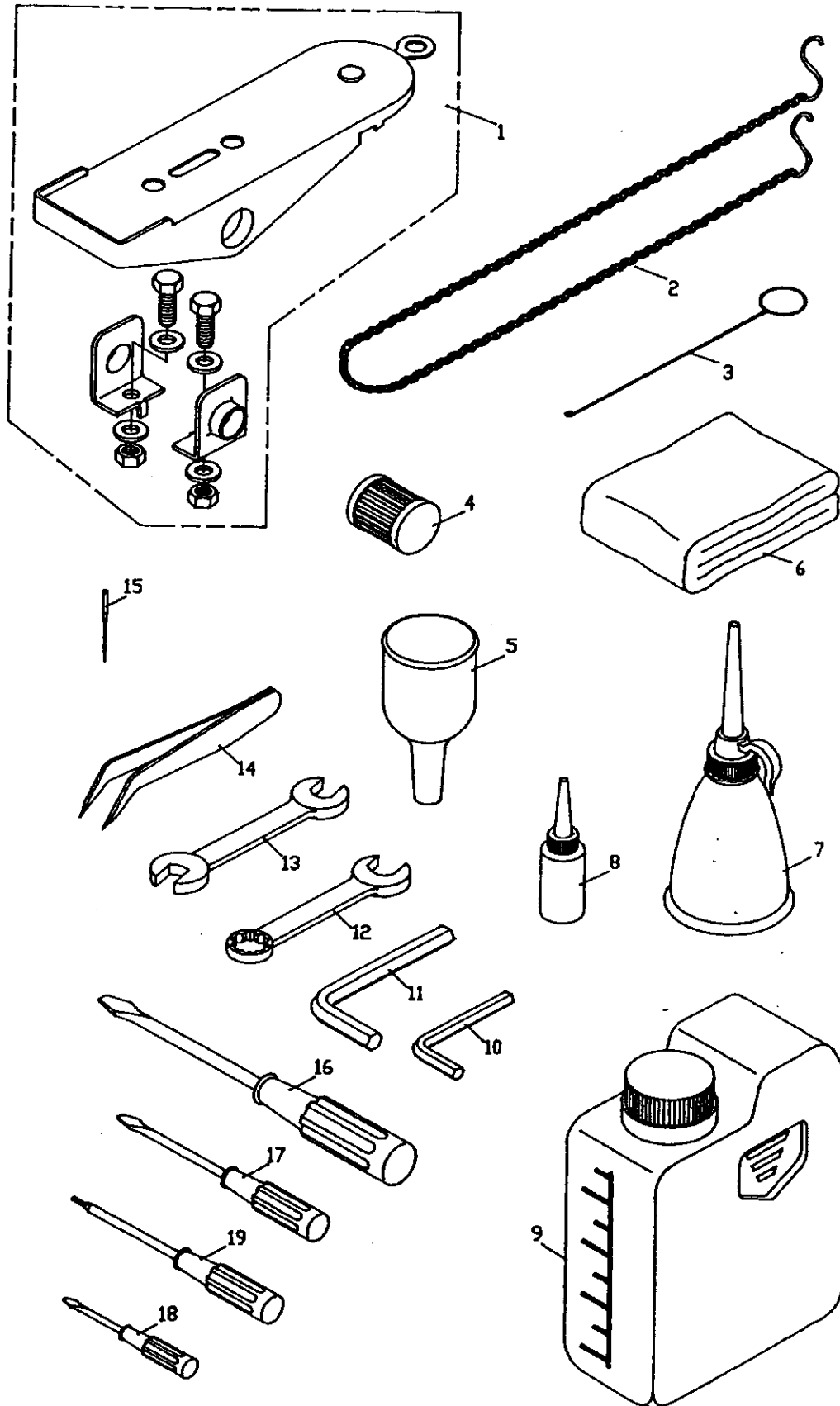
半沈式



| NO | PART NO. | 200 | 300 | 200 | 300 | QTY | DESCRIPTION | 名 称 |
|----|--------------|-----|-----|-----|-----|-----|------------------|------------|
| 1 | VC001501D600 | * | * | * | * | 1 | Belt Cover | ベルトカバー |
| 2 | VMB06404609K | * | * | * | * | 2 | Screw | 止メネジ |
| 3 | VC001503A600 | * | * | * | * | 4 | Rubber Cushon | ゴムクッション |
| 4 | VC001504PW | * | * | * | * | 8 | Washer | ワッシャー |
| 5 | VC001505SW | * | * | * | * | 4 | Spring Washer | スプリングワッシャー |
| 6 | VMA06400510A | * | * | * | * | 4 | Nut | ナット |
| 7 | VMB06406507A | * | * | * | * | 4 | Bolt | 取付ネジ |
| 8 | VMB06401607M | * | * | * | * | 4 | Stud | 取付ネジ |
| 9 | VMB08507827H | * | * | * | * | 4 | Bolt | ボルト |
| 10 | VC001510PW | * | * | * | * | 8 | Washer | ワッシャー |
| 11 | VC001511A600 | * | * | * | * | 4 | Rubber Washer | ゴムワッシャー |
| 12 | VC001512B700 | * | * | * | * | 2 | Supporting Board | 油受け板 |
| 13 | VC001513A600 | * | * | * | * | 4 | Rubber Washer | ゴムワッシャー |
| 14 | VMA08400613A | * | * | * | * | 8 | Nut | ナット |

16. Accessories

付属品



| NO. | PART NO. | | | | | QTY | DESCRIPTION | 名 称 |
|-----|------------|-----|-----|-----|-----|-----|--|-------------------------------------|
| | | 200 | 300 | 200 | 300 | | | |
| 1 | V6700 | * | * | * | * | 1 | Pedal complete | ペダル (組) |
| 2 | V6695 | * | * | * | * | 1 | Chain Set | チェーン (組) |
| 3 | V6840 | * | * | * | * | 1 | Threading Bar | 糸通シ |
| 4 | V60315210F | * | * | * | * | 1 | Oil Filter | オイルフィルター |
| 5 | V6720 | * | * | * | * | 1 | Oil Funnel | ジョーゴ |
| 6 | V6846 | * | * | * | * | 1 | Machine Cover | マシンカバー |
| 7 | V6721 | * | * | * | * | 1 | Oiler | 油差シ |
| 8 | V6722 | * | * | * | * | 1 | Silicone Oil | シリコンオイル |
| 9 | V6715 | * | * | * | * | 1 | Oil Container | オイル容器 |
| 10 | V6636 | * | * | * | * | 1 | Spanner 3mm | 六角レンチ (3mm) |
| 11 | V6637 | * | * | * | * | 1 | Spanner 4mm | 六角レンチ (4mm) |
| 12 | V6655 | * | * | * | * | 1 | Wrench 10mm | スパナ (10mm) |
| 13 | V6625 | * | * | * | * | 1 | Wrench 7/8mm | スパナ (7/8mm) |
| 14 | V6690 | * | * | * | * | 1 | Tweezer | ピンセット |
| 15 | N36510-510 | * | * | * | * | 5 | Needle (N3651-05#10) (Gauge; 4.0/4.8mm) | 針 (N3651-05#10) (ゲージ; 4.0/4.8mm) |
| 15 | N36510-511 | * | * | * | * | 5 | Needle (N3651-05#11) (Gauge; 5.6/6.4mm) | 針 (N3651-05#11) (ゲージ; 5.6/6.4mm) |
| 16 | V6665 | * | * | * | * | 1 | Screw Driver (large) | ドライバー (大) |
| 17 | V6666 | * | * | * | * | 1 | Screw Driver (medium) | ドライバー (中) |
| 18 | V6667 | * | * | * | * | 1 | Screw Driver (small) | ドライバー (小) |
| 19 | V6675 | * | * | * | * | 1 | Spanner 1/16" | 六角レンチドライバー (1/16") |