

SINGER
111W151

Form 2654w

(440)

PRINTED IN U. S. A.

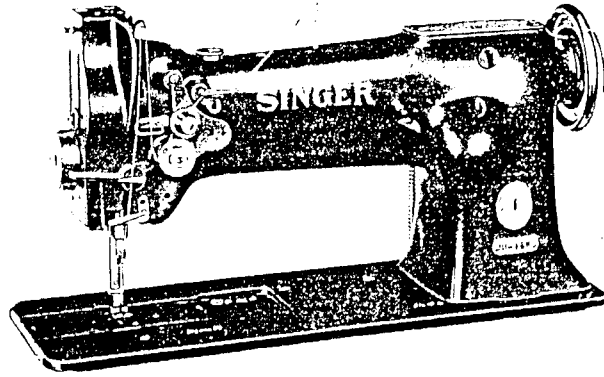
SINGER**

III w 151



THE SINGER MANUFACTURING COMPANY

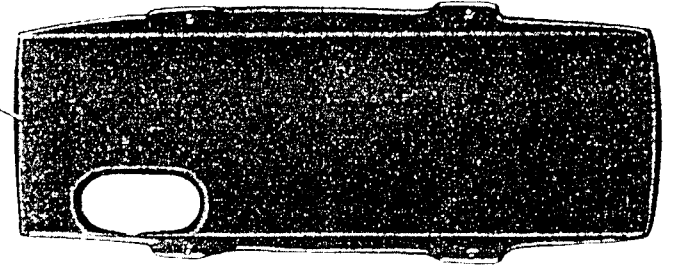
** A Trademark of THE SINGER MANUFACTURING COMPANY



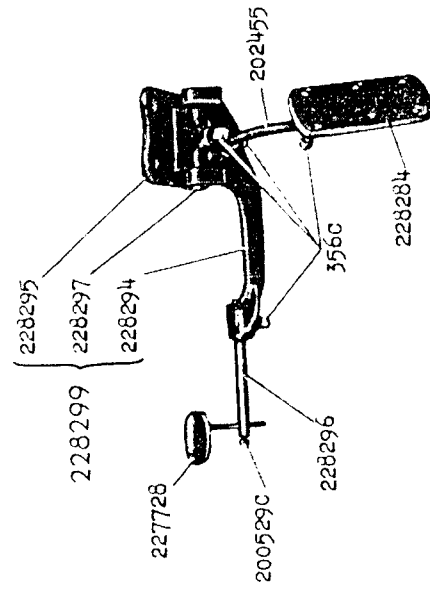
Copyright, U. S. A., 1938 and 1940
 by The Singer Manufacturing Co.
 All Rights Reserved for all Countries

16258 - 1/6

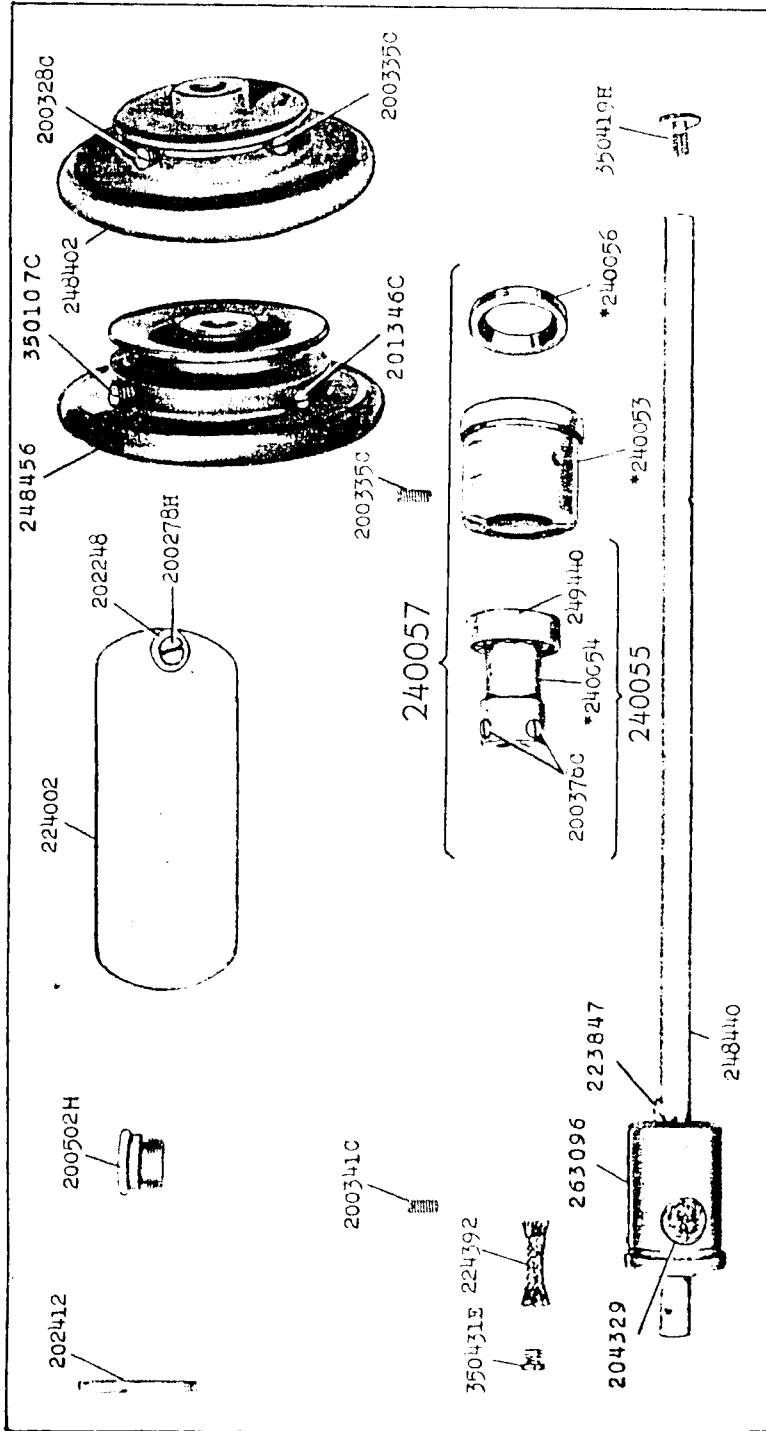
224121



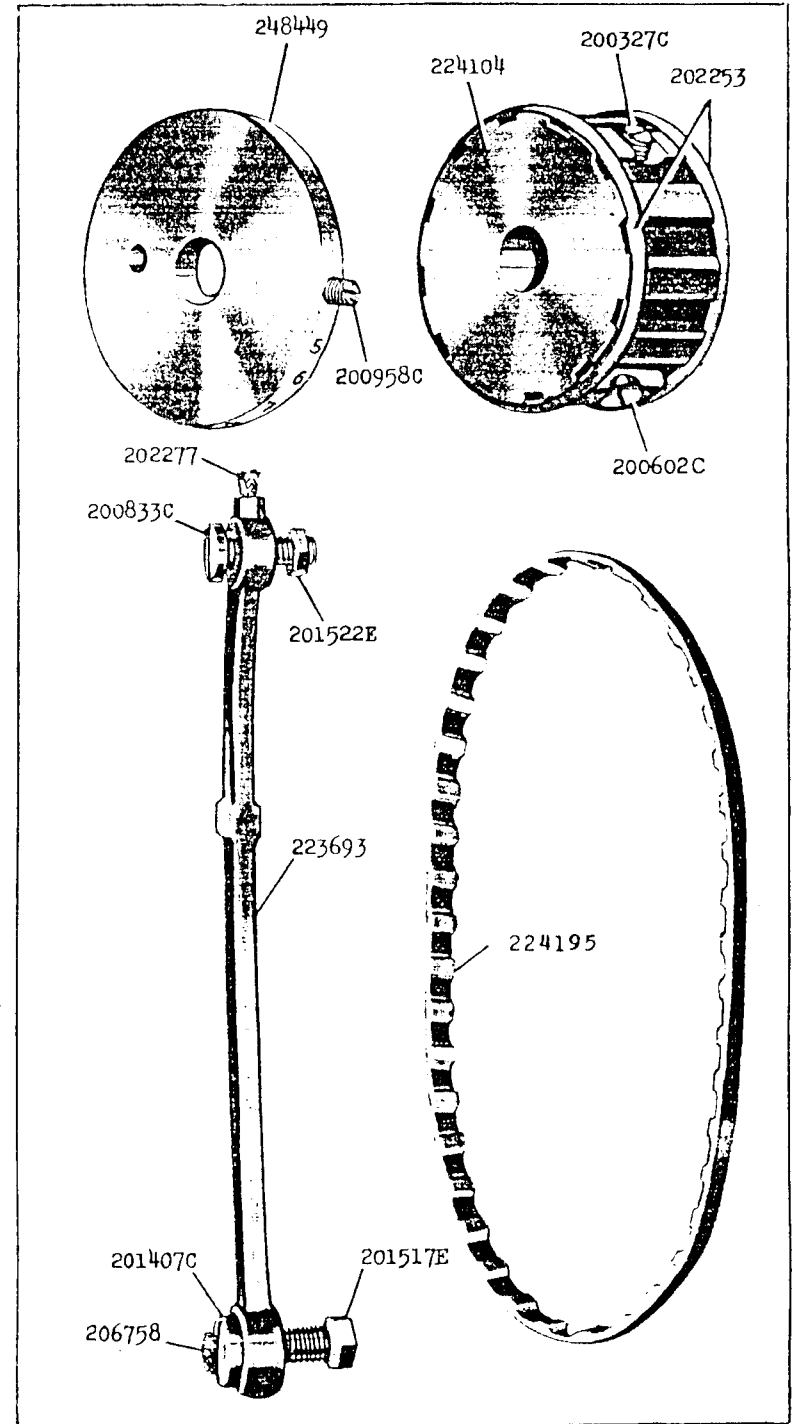
228298



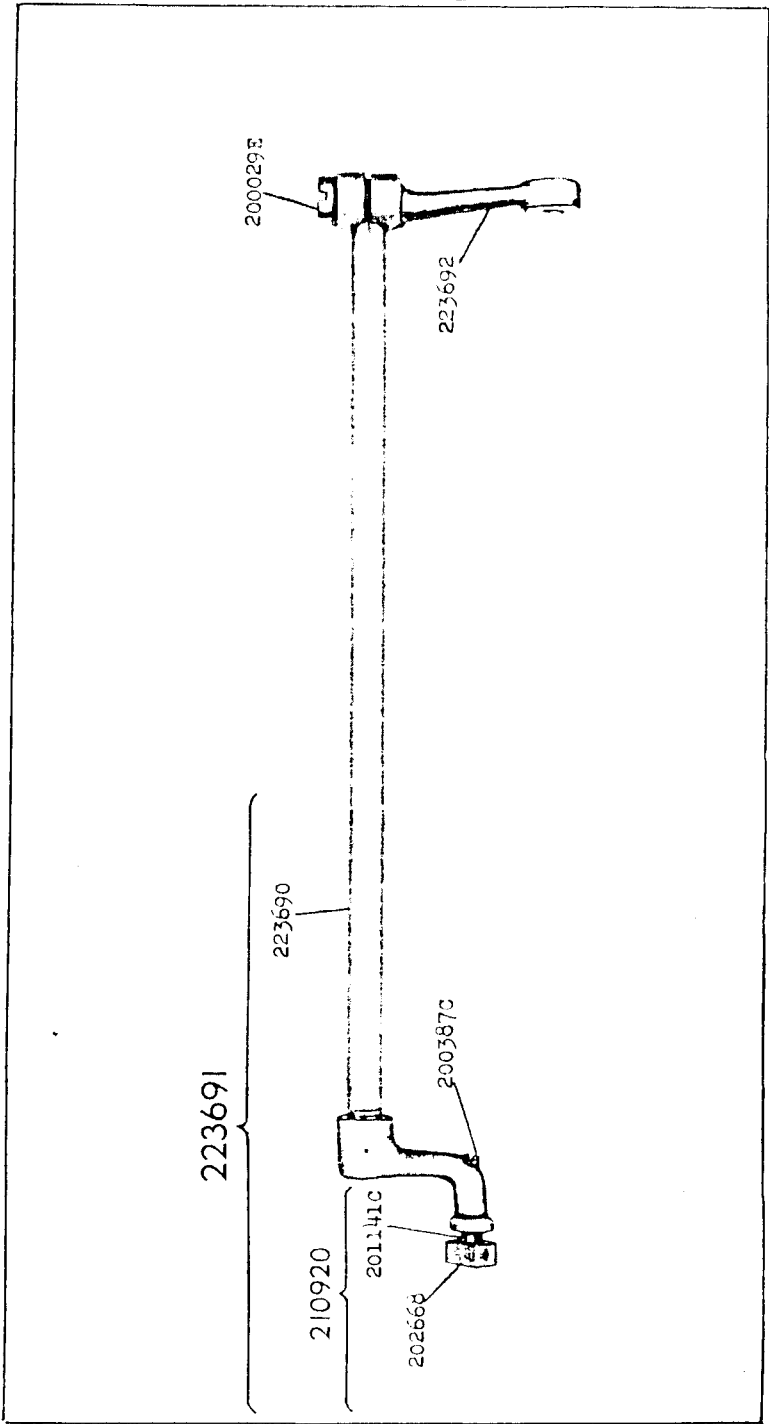
16603 - 3/8



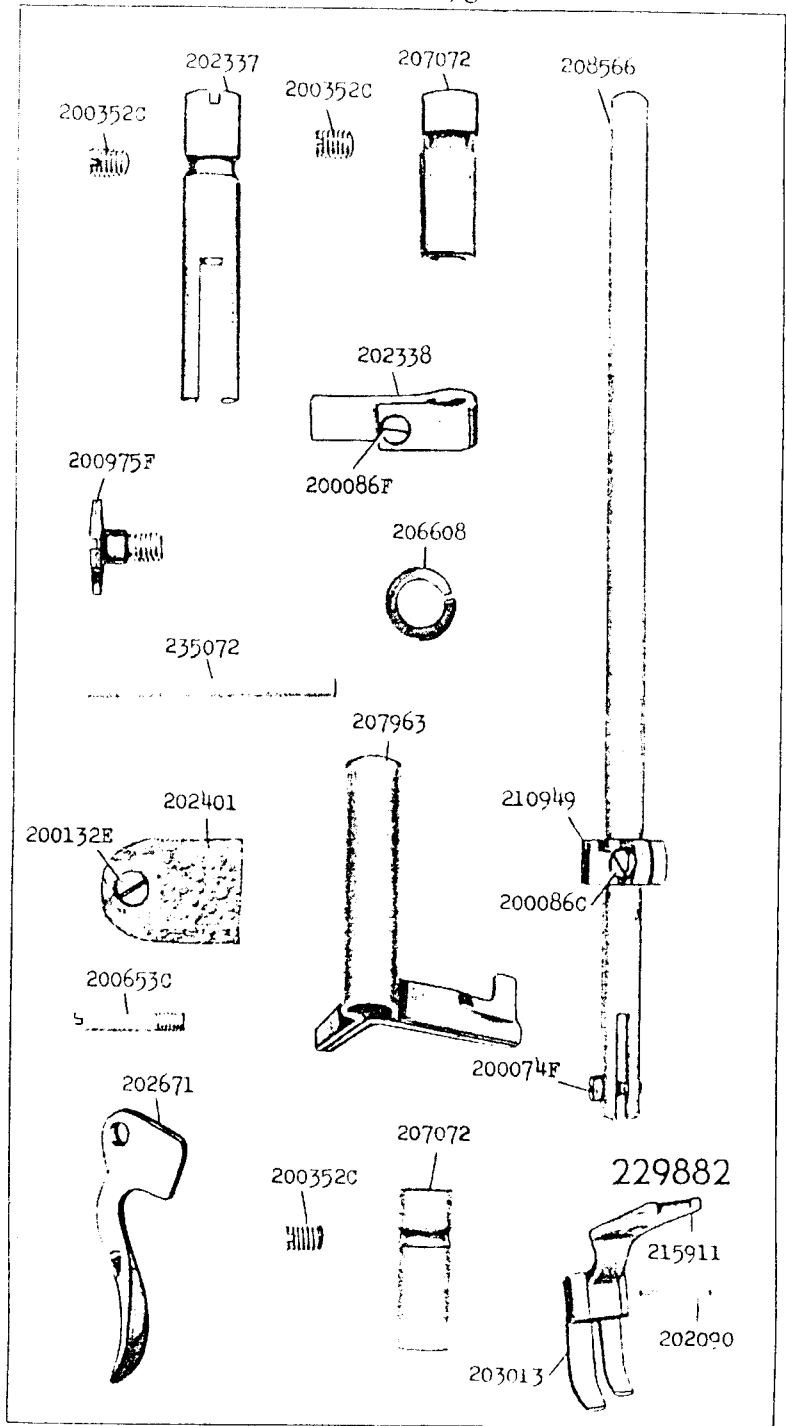
16604 - 3/8



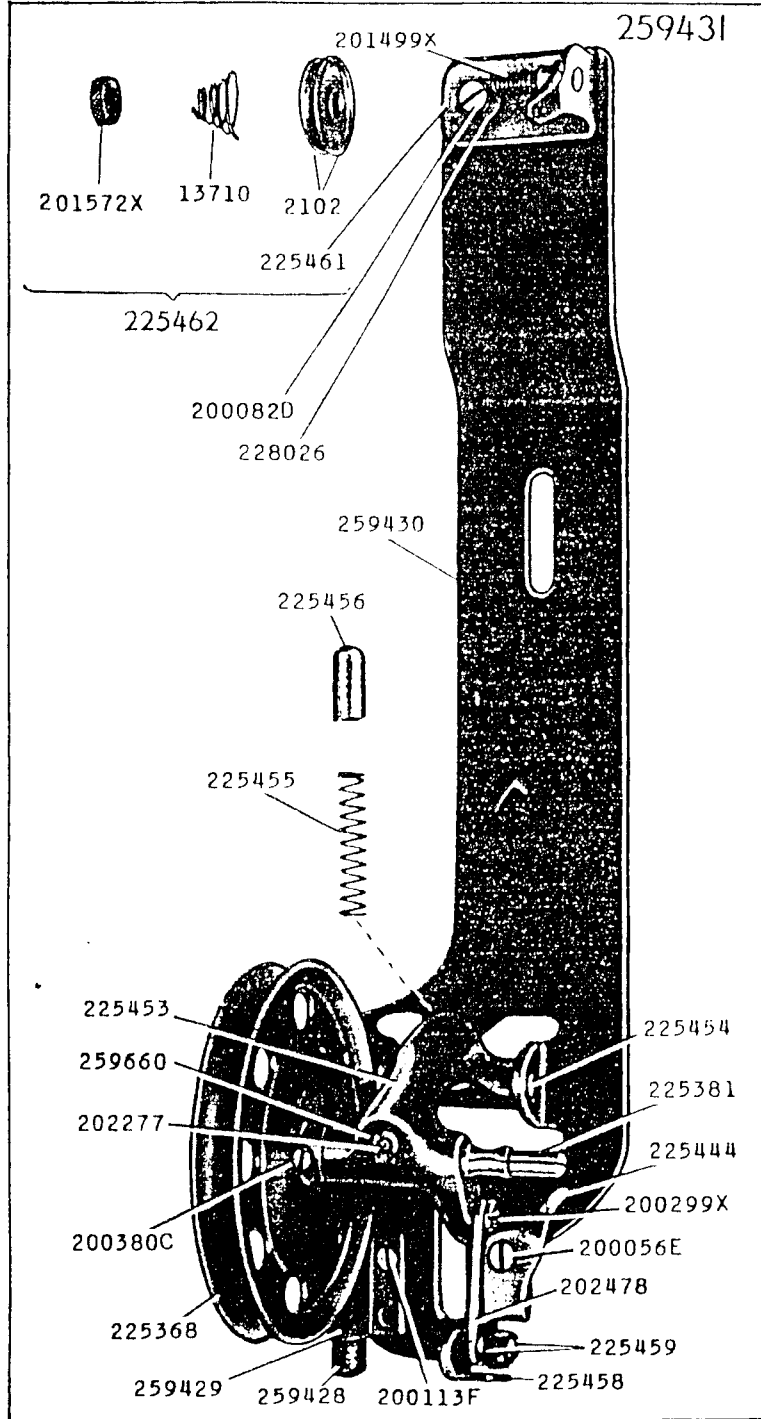
16609 - 1/2



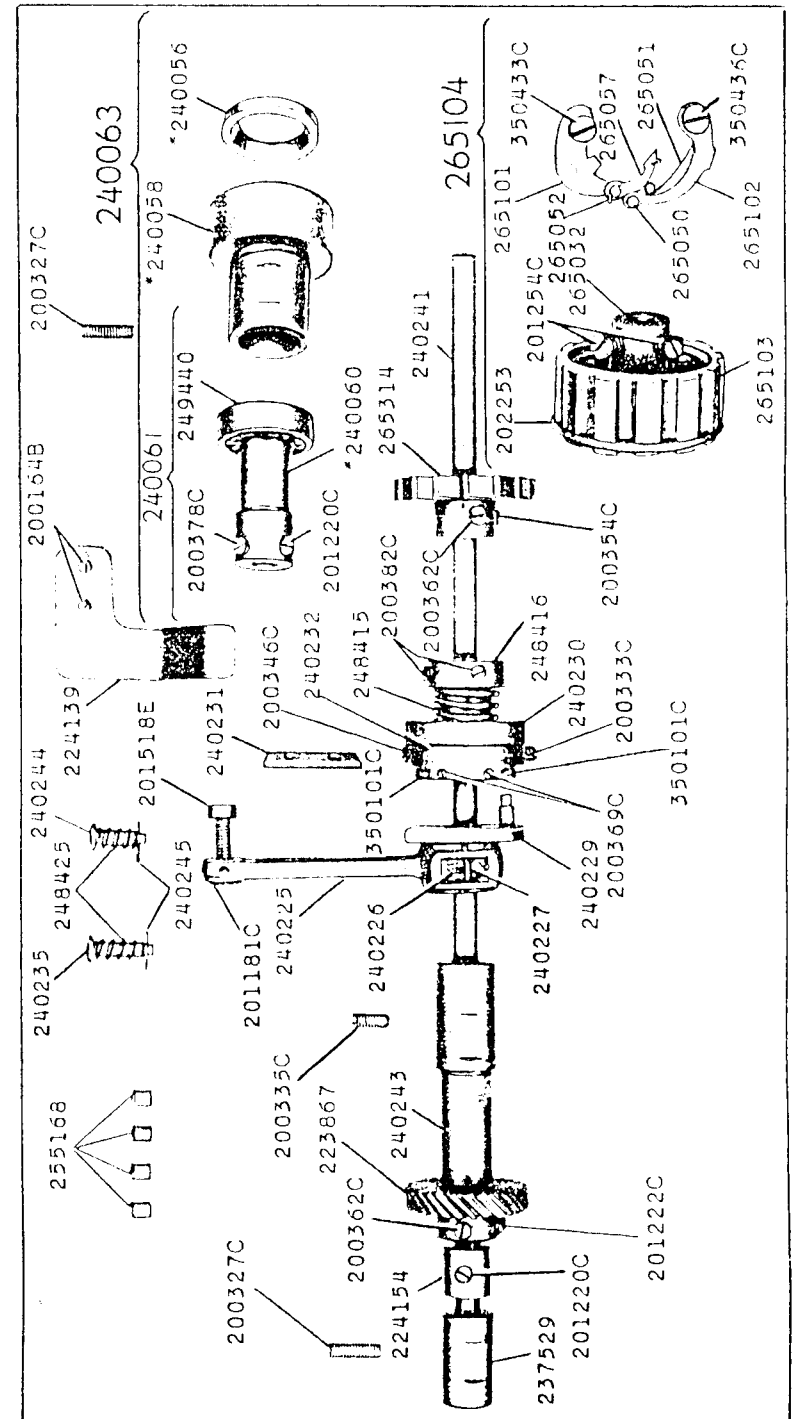
16611 - 5/8



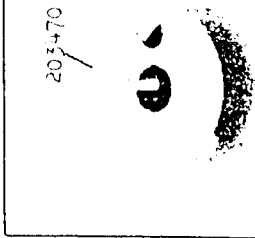
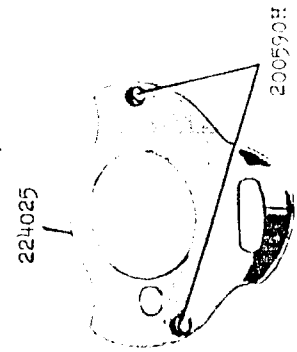
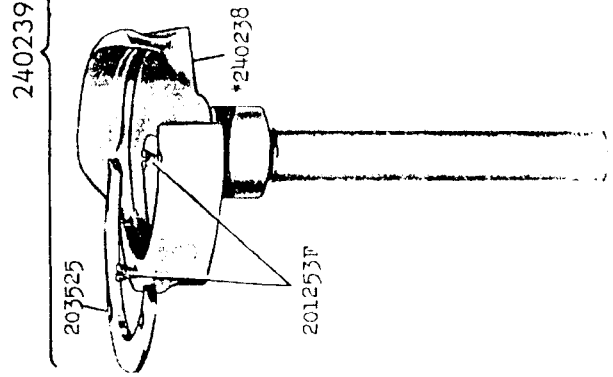
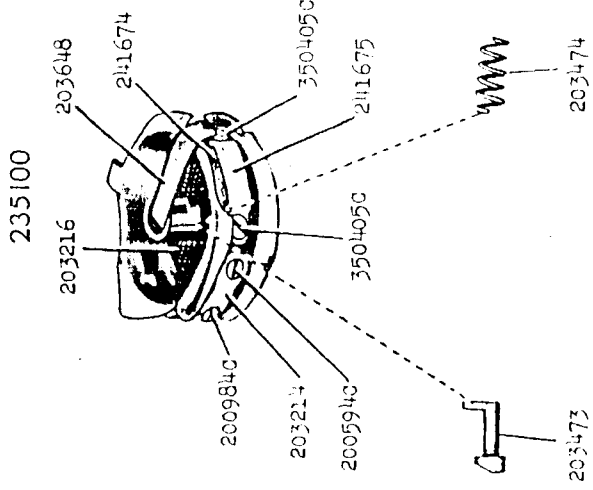
16615 - 1/2



16616 3/8

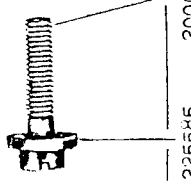
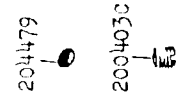
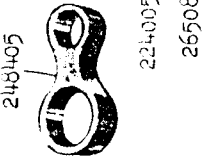
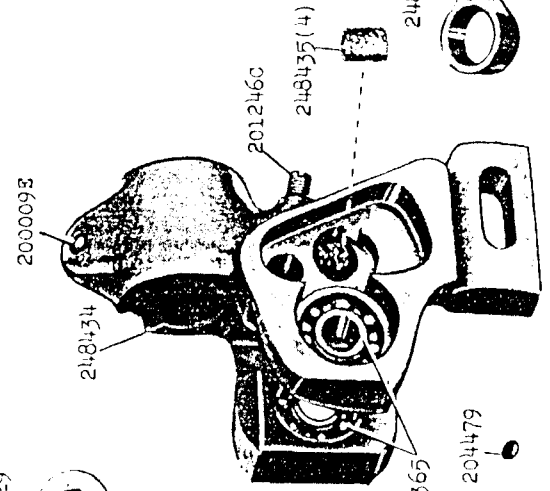
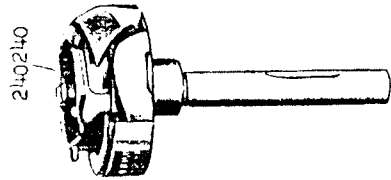
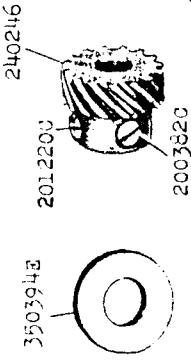
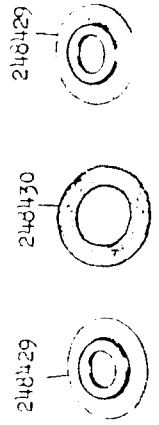


240240



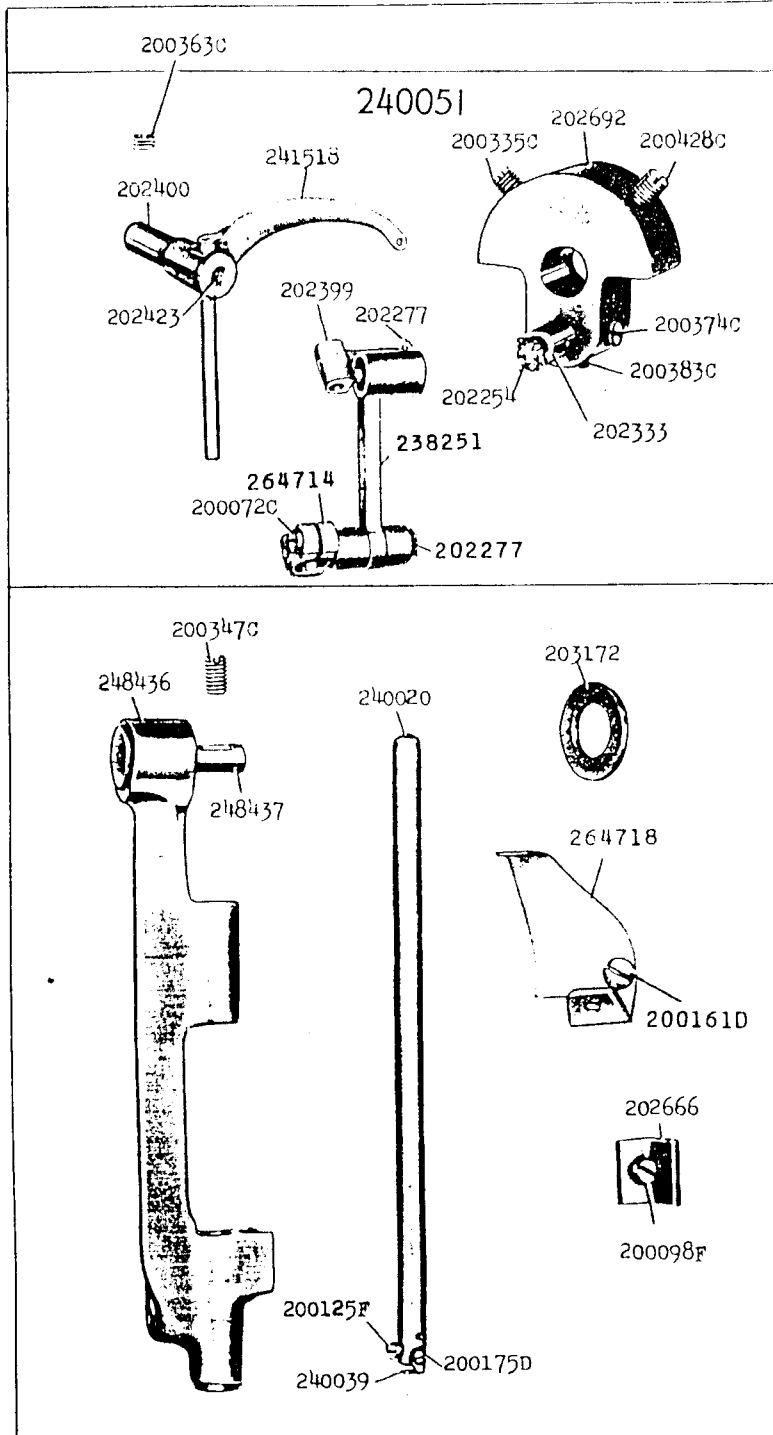
16617

240242

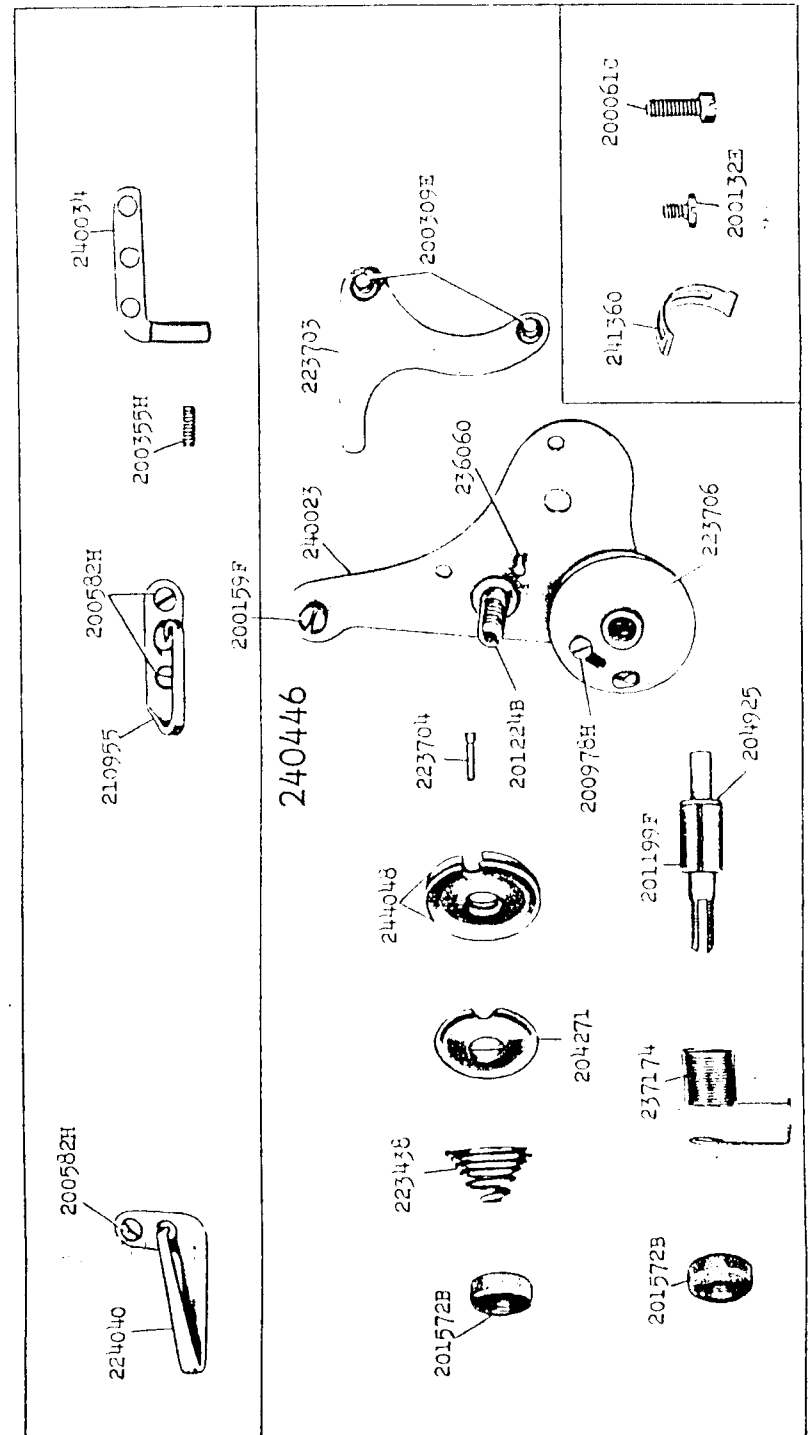


16618 - 5/8

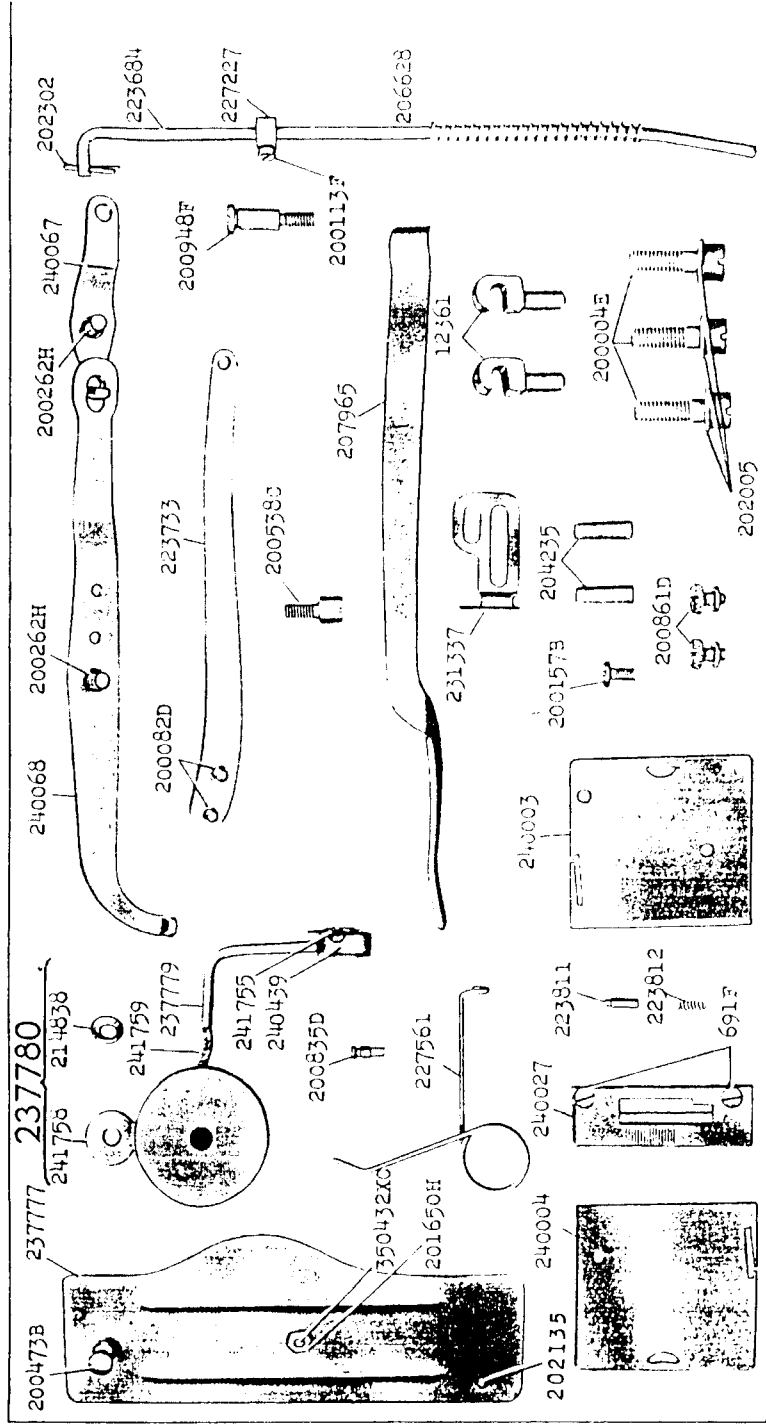
16619 - 1/2



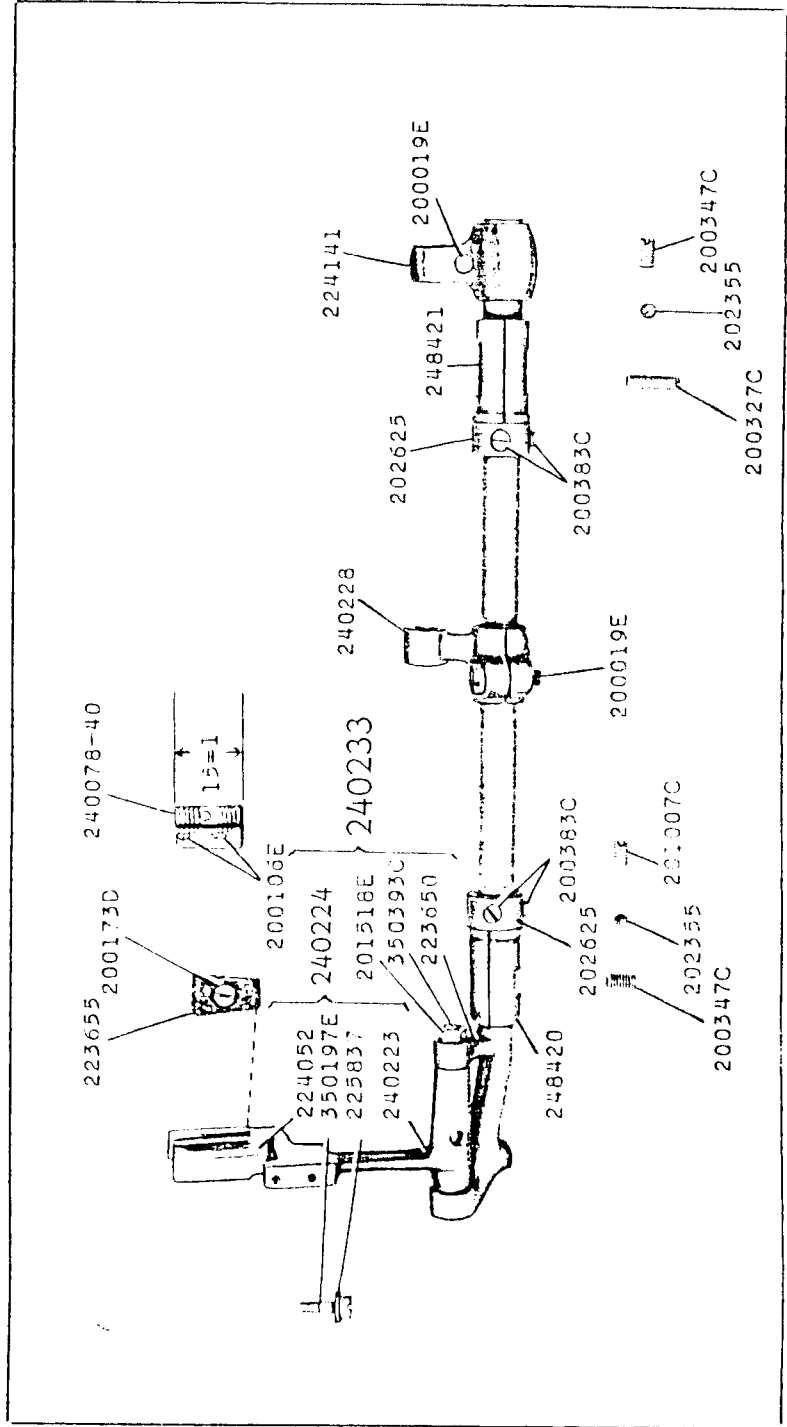
16620 - 2/3



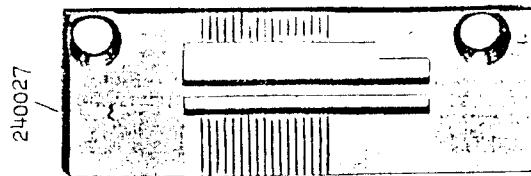
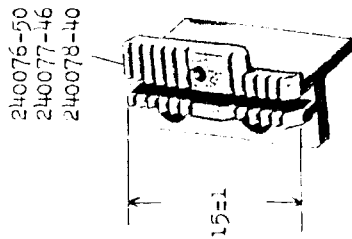
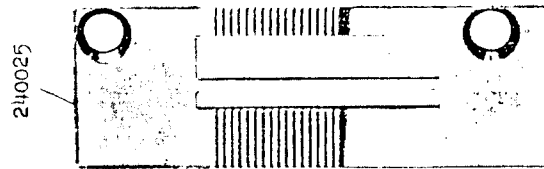
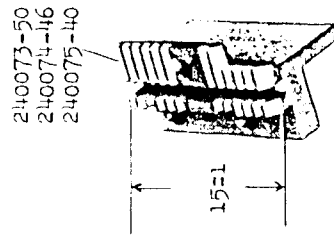
16621 - 3/8



16622 3/8



16623



17620 - 1/3

227955

