

FORM 2002w  
APRIL, 1920

**LIST**  
**OF**  
**PARTS**



**MACHINES**  
**OF**  
**CLASS 84-**

---

**THE SINGER MANUFACTURING COMPANY**

COPYRIGHT, U. S. A., 1920, BY THE SINGER MANUFACTURING CO.  
ALL RIGHTS RESERVED FOR ALL COUNTRIES

## INDEX

---

|                               | PAGE   |
|-------------------------------|--------|
| ACCESSORIES .....             | 22     |
| BOBBIN WINDER .....           | 22, 25 |
| CABINET TABLE TRIMMINGS ..... | 29     |
| CLAMP TREADLE .....           | 25     |
| IRON BASE .....               | 26     |
| KNEE LIFTER .....             | 23     |
| KNIVES .....                  | 29     |
| MACHINE NO. 84-1 .....        | 7      |
| "    "    84-2 .....          | 21     |
| NUMERICAL LIST OF PARTS ..... | 31     |
| OBSOLETE PARTS .....          | 30     |
| STAND .....                   | 28     |
| STARTING TREADLE .....        | 26     |
| TABLE BELT GUIDE .....        | 26     |
| THREAD UNWINDER .....         | 24, 27 |

# INSTRUCTIONS FOR ORDERING

In ordering from this list, use **ONLY** the part **NUMBER** in the **FIRST** column.

The number stamped on a Sewing Machine part is in every case the number of the single part only.

Every combination of parts sent out as such has its specific number, which, although not stamped on the parts, must be used when ordering the combination.

Each number always indicates the **SAME PART** in whatever list it appears, or for whatever machine.

The letters after some of the numbers indicate the style of finish only, as follows:

- A. Hardened, Polished and Plated
- B. Polished and Plated
- C. Hardened only.
- D. Polished only.
- E. Soft, not Polished.
- F. Hardened and Polished.
- G.
- H. Blued
- J. Plated only.
- K. Hardened and Plated.
- L. Brass or Gilt.
- M. Oxidized.
- P. Japanned.
- R. Parkerized.

These letters **MUST BE USED** when they appear in the list, and **AFTER** the number **as** in the list.

### In this series

- 1 to 1500 and 50001 to 51500 are Screw Numbers.
- 1501 to 1800 are Nut Numbers.
- 1801 to 2000 are Roller Numbers.
- 2001 to 50000 and 52001 and upward are numbers of Machine Parts.

The figures in the second column refer only to the plates, illustrating the parts, and are **NOT TO BE USED** in ordering.

Parts marked with an asterisk (\*) are furnished only when repairs are made at factory.

# LIST OF PARTS COMPLETE

FOR

## MACHINE No. 84-1

For Foot Power

| No.    | Plate | Name   |
|--------|-------|--|
| *43001 | —     | Arm with 120D, 690D and 43004 . . . .                        |
| 8582   | 5951  | " Dowel Pin (2) . . . . .                                    |
| 123E   | 5971  | " Screw (4) . . . . .  |
| 49304  | 5950  | " Shaft (horizontal) . . . . .                               |
| 7253   | 5951  | " " " Gear, 24 teeth,<br>with 458C . . . . .                 |
| 2117   | 5951  | Arm Shaft (horizontal) Gear Pin . .                          |
| 458C   | 5951  | " " " " Set<br>Screw . . . . .                               |
| 49316  | 5981  | Arm Shaft (upright) . . . . .                                |
| 49314  | 5982  | " " " Bushing . . . . .                                      |
| 7256   | 5951  | " " " Gear, 24 teeth,<br>with 449C . . . . .                 |
| 2117   | 5951  | Arm Shaft (upright) Gear Pin . . . .                         |
| 449C   | 5951  | " " " " Set Screw  |
| *43004 | —     | " Side Plate . . . . .                                       |
| 690D   | 5951  | " " " Screw (back) . . . . .                                 |
| 120D   | 5971  | " " " " (front) . . . . .                                    |
| 43005  | 5950  | Barring Lever (lower) with 1972 . .                          |
| 1409C  | 5952  | " " " Ball Screw<br>Stud . . . . .                           |
| 1410D  | 5952  | Barring Lever (lower) Ball Screw<br>Stud Cap Screw . . . . . |
| 1520E  | 5952  | Barring Lever (lower) Ball Screw<br>Stud Nut . . . . .       |
| 694D   | 5971  | Barring Lever (lower) Hinge Screw                            |
| 43006  | 5952  | " " " Pitman with<br>two 808D . . . . .                      |
| 808D   | 5952  | Barring Lever (lower) Pitman Ad-<br>justing Screw . . . . .  |
| 1972   | 5971  | Barring Lever (lower) Roller and<br>Stud . . . . .           |
| 43007  | 5950  | Barring Lever (upper) . . . . .                              |
| 1236C  | 5952  | " " " Adjusting<br>Screw . . . . .                           |
| 1554F  | 5952  | Barring Lever (upper) Adjusting<br>Screw Nut . . . . .       |

| No.    | Plate | Name   |
|--------|-------|--|
| 39541  | 5952  | Barring Lever (upper) Adjusting Screw Nut Washer .....   |
| 7070   | 5952  | Barring Lever (upper) Adjusting Screw Sleeve .....   |
| 1409c  | 5952  | Barring Lever (upper) Ball Screw Stud .....  |
| 1410b  | 5952  | Barring Lever (upper) Ball Screw Stud Cap Screw .....  |
| 802b   | 5971  | Barring Lever (upper) Hinge Screw  |
| *43008 | —     | " " " Pitman (lever end) .....   |
| *43009 | —     | Barring Lever (upper) Pitman (block end) .....   |
| 193F   | 5952  | Barring Lever (upper) Pitman Adjusting Screw .....   |
| 7071   | 5952  | Barring Lever (upper) Pitman Adjusting Screw Washer .....  |
| 1042c  | 5952  | Barring Lever (upper) Pitman Hinge Screw .....   |
| 43010  | 5952  | Barring Lever (upper) Pitman (adjustable) complete, Nos. 43008, 43009 and two each 193F and 7071 |
| *43011 | —     | Bed with three 43012 .....   |
| 43013  | 5956  | " Cover (back) .....   |
| 106b   | 5951  | " " " Screw .....  |
| 43014  | 5951  | " " " Washer (lower) ..  |
| 9521   | 5951  | " " " " (upper) ...  |
| 43015  | 5956  | " " (front) .....  |
| 106b   | 5951  | " " " Screw .....  |
| 43014  | 5951  | " " " Washer (lower) ..  |
| 9521   | 5951  | " " " " (upper) ...  |
| 43012  | 5951  | " Support Stud .....   |
| 43150  | 5956  | Belt Shifter .....   |
| 39223  | 5951  | " " Clamp .....  |
| 1255b  | 5951  | " " " Screw .....  |
| 43016  | 5953  | Clamp Arm (2) .....  |
| 624c   | 5953  | " " Adjusting Screw (2) ..   |
| 43017  | 5954  | " " Bracket with 223F ...  |
| 704c   | 5952  | " " " Screw (2) .....  |
| 9525   | 5952  | " " " " Washer (2)   |
| 43018  | 5954  | " " Hinge Block .....  |
| 43145  | 5952  | " " " " Pin .....  |
| 223F   | 5952  | " " " " " Set Screw .....  |
| 1094F  | 5953  | Clamp Arm Screw (2) .....  |
| 43019  | 5955  | " Carrier .....  |
| 43020  | 5955  | " " Bar .....  |
| 889c   | 5971  | " " " Set Screw .....  |
| 43021  | 5953  | " " Connecting Link .....  |

| No.    | Plate | Name  |
|--------|-------|---|
| 807b   | 5953  | Clamp Carrier Connecting Link Screw (2) .....                           |
| 43022  | 5955  | Clamp Carrier Lever .....   |
| 866b   | 5962  | " " " Hinge Screw ..  |
| 43028  | 5955  | " " Regulating Lever with 1973 .....                                    |
| 694b   | 5971  | Clamp Carrier Regulating Lever Hinge Screw .....                        |
| 1973   | 5971  | Clamp Carrier Regulating Lever Roller and Stud .....                    |
| 1236c  | 5952  | Clamp Carrier Regulating Stud ...                                       |
| 1554F  | 5952  | " " " " Nut   |
| 39541  | 5952  | " " " " " Washer .....  |
| 7070   | 5952  | Clamp Carrier Regulating Stud Sleeve .....                              |
| 43027  | 5952  | Clamp Carrier Regulating Stud Slide Block .....                         |
| 43023  | 5955  | Clamp Carrier Slide with four 889c                                      |
| 43024  | 5955  | " " " Bar .....   |
| 889c   | 5971  | " " " " Set Screw   |
| 43025  | 5951  | " " " Cap .....   |
| 690b   | 5951  | " " " " Screw (2)   |
| 43026  | 5955  | " " " Lever with 1872   |
| 866b   | 5962  | " " " " Hinge Screw   |
| 1872   | 5971  | " " " " Roller and Stud .....   |
| 1236c  | 5952  | Clamp Carrier Slide Regulating Stud                                     |
| 1554F  | 5952  | " " " " " Nut .....   |
| 39541  | 5952  | Clamp Carrier Slide Regulating Stud Nut Washer .....                    |
| 7070   | 5952  | Clamp Carrier Slide Regulating Stud Sleeve .....                        |
| 43027  | 5952  | Clamp Carrier Slide Regulating Stud Slide Block .....                   |
| 43029  | 5953  | Clamp Check, for $\frac{1}{4}$ to $\frac{3}{4}$ in. button-holes .....  |
| 49303  | 5953  | Clamp Check, for $\frac{1}{4}$ to $1\frac{1}{4}$ in. button-holes ..... |
| 1297F  | 5953  | Clamp Check Hinge Screw (2) ....  |
| 43030  | 5954  | " Lifting Arm .....   |
| 191c   | 5953  | " " " Screw (2) .....   |
| 43031  | 5955  | " Plate .....   |
| 43032  | 5954  | " " Cover .....   |
| 43033  | 5952  | " " Guide .....   |
| 205F   | 5952  | " " " Screw (2) .....   |
| 43034  | 5952  | " " Packing .....   |
| 50137b | 5952  | " " Screw (3) .....   |

| No.   | Plate | Name   |
|-------|-------|--|
| 9525  | 5952  | Clamp Plate Screw Washer (3) . . .   |
| 43035 | 5954  | " " Support . . . . .  |
| 401D  | 5969  | " " " Screw (6) . . . . .  |
| 43036 | 5953  | " Post . . . . .   |
| 1659C | 5953  | " Pressure Regulating Thumb<br>Nut . . . . .   |
| 43037 | 5953  | Clamp Spring . . . . .   |
| 43038 | 5953  | " " Sleeve . . . . .   |
| 646C  | 5953  | " " " Position Screw<br>Stud . . . . .   |
| 1904  | 5953  | Clamp Spring Sleeve Roller . . . . .   |
| 43039 | 5953  | " " " " Pin . . . . .  |
| 43040 | 5956  | Face Plate . . . . .   |
| 217F  | 5957  | " " Screw (3) . . . . .  |
| 49315 | 5982  | Feed Eccentric with two 453C . . . . .   |
| 453C  | 5957  | " " Set Screw . . . . .  |
| 43042 | 5955  | " Hand Ratchet Lever . . . . .   |
| 43147 | —     | Feed Hand Ratchet Lever complete,<br>Nos. 90D, 240D and 43042 to<br>43044 . . . . .              |
| 43148 | 5955  | Feed Hand Ratchet Lever Pawl<br>Body . . . . .   |
| 43043 | —     | Feed Hand Ratchet Lever Pawl com-<br>plete, Nos. 207F, 43148, 43149 and<br>three 1049C . . . . . |
| 90D   | 5970  | Feed Hand Ratchet Lever Pawl<br>Hinge Screw . . . . .  |
| 43149 | 5957  | Feed Hand Ratchet Lever Pawl<br>Point . . . . .  |
| 1049C | 5957  | Feed Hand Ratchet Lever Pawl<br>Point Position Screw . . . . .                                   |
| 207F  | 5957  | Feed Hand Ratchet Lever Pawl<br>Point Screw . . . . .  |
| 43044 | 5957  | Feed Hand Ratchet Lever Pawl<br>Spring . . . . .   |
| 240D  | 5957  | Feed Hand Ratchet Lever Pawl<br>Spring Screw . . . . .   |
| 1049C | 5957  | Feed Hand Ratchet Lever Pawl Stop<br>Screw . . . . .   |
| 43045 | 5957  | Feed Hand Ratchet Wheel with 457C  |
| 2049  | 5957  | " " " " Pin . . . . .  |
| 457C  | 5957  | " " " " Set Screw . . . . .  |
| 49313 | 5981  | " Regulating Lever (forked) . . . . .  |
| 11C   | 5961  | " " " Hinge Screw . . . . .  |
| 1411C | 5957  | " " Stud . . . . .   |
| 1554F | 5957  | " " " Nut . . . . .  |
| 14017 | 5957  | " " " Washer . . . . .   |
| 43047 | 5958  | " Wheel with 43059 and two 220D  |

| No.            | Plate           | Name   |
|----------------|-----------------|--|
| 49309          | 5958            | Feed Wheel with 43059 and two 220D,<br>for buttonholes with long barred<br>ends . . . . .                      |
| 49310          | —               | Feed Wheel with 43059 and two<br>220D, makes bar at one end only . . . . .                                     |
| 49327          | —               | Feed Wheel with 43059 and two 220D,<br>For making one half the regular<br>number of barring stitches . . . . . |
| 43048          | 5957            | Feed Wheel Bushing . . . . .   |
| 1670E          | 5957            | " " " Nut . . . . .  |
| 43049          | 5959            | " " Driving Lever . . . . .  |
| 43050          | 5957            | " " " " Block (2)  |
| 769C           | 5957            | " " " " Ad-<br>justing Screw . . . . .   |
| 39594          | 5957            | Feed Wheel Driving Lever Block<br>Adjusting Screw Bracket with<br>769C, 595C and 39504 (2) . . . . .           |
| 155D           | 5957            | Feed Wheel Driving Lever Block<br>Adjusting Screw Bracket Screw<br>(4) . . . . .                               |
| <del>555</del> | <del>5957</del> | <del>Feed Wheel Driving Lever Block<br/>Adjusting Screw Clamping Screw</del>                                   |
| 39504          | 5957            | Feed Wheel Driving Lever Block<br>Adjusting Screw Clamping Screw<br>Washer . . . . .                           |
| 39598          | 5957            | Feed Wheel Driving Lever Block<br>Lock Spring (2) . . . . .  |
| 602D           | 5957            | Feed Wheel Driving Lever Block<br>Lock Spring Screw (2) . . . . .  |
| 43051          | 5957            | Feed Wheel Driving Lever Block<br>Plate (2) . . . . .  |
| 217F           | 5957            | Feed Wheel Driving Lever Block<br>Plate Screw (2) . . . . .  |
| 43052          | 5959            | Feed Wheel Driving Lever Pitman  |
| 217F           | 5957            | " " " " " "<br>Cap Screw . . . . .   |
| 5968           | 5959            | Feed Wheel Driving Lever Pitman<br>Cap Screw Washer . . . . .  |
| 61C            | 5959            | Feed Wheel Driving Lever Pitman<br>Hinge Screw . . . . .   |
| 43053          | 5959            | Feed Wheel Driving Lever Washer  |
| 2254           | 5959            | " " Retaining Clutch . . . . .   |
| 39595          | 5959            | " " " " Cap  |
| 898C           | 5959            | " " " " "<br>Screw . . . . .   |
| 39504          | 5959            | Feed Wheel Retaining Clutch Cap<br>Screw Washer . . . . .  |
| 2256           | 5959            | Feed Wheel Retaining Clutch Spring   |
| 233D           | 5959            | " " " " "<br>Screw . . . . .   |

| No.   | Plate | Name   |
|-------|-------|--|
| 721D  | 5959  | Feed Wheel Retaining Clutch Spring<br>Stop Screw ..... |
| 43054 | 5959  | Feed Wheel Stud .....                                  |
| 43055 | 5960  | " " Tripping Lever .....                               |
| 43056 | 5960  | " " " " Arm .....                                      |
| 641D  | 5960  | " " " " " " Screw (2) .....                            |
| 1412D | 5960  | Feed Wheel Tripping Lever Hinge<br>Screw .....         |
| 43057 | 5960  | Feed Wheel Tripping Lever Point                        |
| 641D  | 5960  | " " " " " " Screw (2) .....                            |
| 9525  | 5960  | Feed Wheel Tripping Lever Point<br>Screw Washer .....  |
| 43058 | 5960  | Feed Wheel Tripping Lever Spring                       |
| 191c  | 5960  | " " " " " " Screw .....                                |
| 43059 | 5960  | Feed Wheel Tripping Point .....                        |
| 220D  | 5960  | " " " " " " Screw .....                                |
| 43060 | ---   | Knife, $\frac{1}{4}$ inch.....                         |
| 43061 | ---   | " $\frac{1}{8}$ inch.....                              |
| 43062 | ---   | " $\frac{3}{8}$ inch.....                              |
| 43063 | ---   | " $\frac{1}{2}$ inch.....                              |
| 43064 | ---   | " $\frac{1}{2}$ inch.....                              |
| 43065 | ---   | " $\frac{3}{8}$ inch.....                              |
| 43066 | ---   | " $\frac{1}{2}$ inch.....                              |
| 43067 | ---   | " $\frac{1}{2}$ inch.....                              |
| 43068 | 5960  | " $\frac{3}{4}$ inch.....                              |
| 43069 | ---   | " $\frac{1}{2}$ inch.....                              |
| 43070 | ---   | " $\frac{1}{2}$ inch.....                              |
| 43071 | ---   | " $\frac{1}{2}$ inch.....                              |
| 43072 | ---   | " 1 inch.....  |
| 43073 | ---   | " $1\frac{1}{2}$ inch.....                             |
| 43074 | ---   | " 1 $\frac{1}{2}$ inch.....                            |
| 43075 | ---   | " $1\frac{3}{4}$ inch.....                             |
| 43076 | ---   | " 1 $\frac{1}{2}$ inch.....                            |
| 43077 | 5950  | " Bar.....   |
| 43078 | 5960  | " " Bracket with two 1454e                             |
| 1454E | 5960  | " " " Clamping Screw                                   |
| 43079 | 5950  | " Driving Lever.....                                   |
| 49312 | 5981  | " " Cam with 448c..                                    |
| 2117  | 5951  | " " " Pin .....  |
| 448c  | 5971  | " " " " Set Screw..                                    |
| 1290c | 5971  | " " " Hinge Screw ..                                   |
| 43081 | 5961  | " " " Latch .....                                      |
| 43082 | 5961  | " " " " Arm with<br>1974 and 43083 .....               |
| 1413c | 5961  | Knife Driving Lever Latch Arm<br>Hinge Screw .....     |

| No.   | Plate | Name  |
|-------|-------|---|
| 1608c | 5961  | Knife Driving Lever Latch Arm<br>Hinge Screw Nut .....            |
| 1974  | 5961  | Knife Driving Lever Latch Arm<br>Roller and Screw Stud with 1518E |
| 1518E | 5961  | Knife Driving Lever Latch Arm<br>Roller and Screw Stud Nut ....   |
| 43083 | 5961  | Knife Driving Lever Latch Arm<br>Roller and Screw Stud Stop Pin   |
| 1414D | 5961  | Knife Driving Lever Latch Handle                                  |
| 1196c | 5961  | " " " " Hinge<br>Screw .....                                      |
| 1662c | 5961  | Knife Driving Lever Latch Hinge<br>Screw Nut .....                |
| 43084 | 5961  | Knife Driving Lever Latch Spring..                                |
| 43085 | 5961  | " " " Spring .....  |
| 1415c | 5961  | " " " " Screw ....  |
| 43086 | 5962  | " " " Stop .....  |
| 162D  | 5962  | " " " " Screw (2) ..  |
| 43087 | 5960  | " Holder .....  |
| 173c  | 5960  | " " Screw .....   |
| 191c  | 5960  | " Screw .....   |
| 23390 | 5960  | " " Washer .....  |
| 43088 | 5962  | " Tripping Lever with 200c and<br>1340c .....                     |
| 43089 | 5962  | Knife Tripping Lever Latch.....                                   |
| 866D  | 5962  | " " " " Hinge<br>Screw .....                                      |
| 43090 | 5962  | Knife Tripping Lever Latch Spring                                 |
| 424c  | 5962  | " " " " " " Screw .....   |
| 1340c | 5962  | Knife Tripping Lever Position Screw                               |
| 200c  | 5962  | " " " " Set Screw.....  |
| 43091 | 5962  | " " " Shaft .....   |
| 43092 | 5962  | " " " " C r a n k<br>with 457c .....                              |
| 12538 | 5962  | Knife Tripping Lever Shaft Crank<br>Pin .....                     |
| 457c  | 5962  | Knife Tripping Lever Shaft Crank<br>Set Screw .....               |
| 43093 | 5962  | Knife Tripping Lever Shaft Spring                                 |
| 641D  | 5962  | " " " " " " Screw .....   |
| 9525  | 5962  | Knife Tripping Lever Shaft Spring<br>Screw Washer .....           |
| 43094 | 5962  | Knife Tripping Lever Stop .....                                   |
| 991c  | 5962  | " " " " Adjusting<br>Screw .....                                  |
| 1550H | 5962  | Knife Tripping Lever Stop Adjusting<br>Screw Nut .....            |

| No.   | Plate | Name  |
|-------|-------|---|
| 175D  | 5962  | Knife Tripping Lever Stop Screw (2)   |
| 43095 | 5950  | Needle Bar with 904F.....   |
| 7283  | 5960  | " " Connecting Link with<br>1012E.....  |
| 1012E | 5960  | Needle Bar Connecting Link Adjust-<br>ing Screw.....                              |
| 380C  | 5960  | Needle Bar Connecting Link Hinge<br>Screw.....                                    |
| 1520E | 5960  | Needle Bar Connecting Link Hinge<br>Screw Nut.....                                |
| 7284  | 5960  | Needle Bar Connecting Stud with<br>453C.....                                      |
| 453C  | 5960  | Needle Bar Connecting Stud Set<br>Screw.....                                      |
| 43096 | 5956  | Needle Bar Frame with two 196F...   |
| 43097 | 5963  | " " Bell Crank with<br>1975, 2269 and 7577.....                                   |
| 1975  | 5963  | Needle Bar Frame Bell Crank Roller<br>and Screw Stud with 1520E and<br>14017..... |
| 1520E | 5963  | Needle Bar Frame Bell Crank Roller<br>and Screw Stud Nut.....                     |
| 14017 | 5963  | Needle Bar Frame Bell Crank Roller<br>and Screw Stud Nut Washer....               |
| 7577  | 5963  | Needle Bar Frame Bell Crank Shaft   |
| 6533  | 5963  | " " " " " "   |
|       |       | Collar with 460C.....   |
| 460C  | 5963  | Needle Bar Frame Bell Crank Shaft<br>Collar Set Screw.....                        |
| 2269  | 5963  | Needle Bar Frame Bell Crank Shaft<br>Pin.....                                     |
| 43098 | 5963  | Needle Bar Frame Bell Crank Slide<br>Block.....                                   |
| 15972 | 5956  | Needle Bar Frame Cam and Bevel<br>Gear (steel), 36 teeth.....                     |
| 43099 | 5956  | Needle Bar Frame Cam and Bevel<br>Gear Cover.....                                 |
| 190D  | 5971  | Needle Bar Frame Cam and Bevel<br>Gear Cover Screw.....                           |
| 15C   | 5971  | Needle Bar Frame Cam and Bevel<br>Gear Screw.....                                 |
| 7292  | 5951  | Needle Bar Frame Driving Bevel<br>Pinion, 18 teeth, with two 453C                 |
| 453C  | 5957  | Needle Bar Frame Driving Bevel<br>Pinion Set Screw.....                           |
| 43100 | 5963  | Needle Bar Frame Pitman with 808D   |
| 808D  | 5963  | " " " " Adjusting<br>Screw.....   |
| 43101 | 5963  | Needle Bar Frame Pitman Ball Stud<br>(eccentric).....                             |

| No.   | Plate | Name  |
|-------|-------|---|
| 1410D | 5963  | Needle Bar Frame Pitman Ball Stud<br>Cap Screw.....         |
| 196F  | 5963  | Needle Bar Frame Pitman Ball Stud<br>Set Screw.....         |
| 43102 | 5963  | Needle Bar Frame Regulator with<br>2269 and 43103.....      |
| 1236C | 5963  | Needle Bar Frame Regulator Adjust-<br>ing Screw.....        |
| 1554F | 5963  | Needle Bar Frame Regulator Adjust-<br>ing Screw Nut.....    |
| 7070  | 5963  | Needle Bar Frame Regulator Adjust-<br>ing Screw Sleeve..... |
| 39541 | 5963  | Needle Bar Frame Regulator Adjust-<br>ing Screw Washer..... |
| 43103 | 5963  | Needle Bar Frame Regulator Shaft                            |
| 6533  | 5963  | " " " " " "   |
|       |       | Collar with 460C.....                                       |
| 460C  | 5963  | Needle Bar Frame Regulator Shaft<br>Collar Set Screw.....   |
| 2269  | 5963  | Needle Bar Frame Regulator Shaft<br>Pin.....                |
| 43027 | 5963  | Needle Bar Frame Regulator Slide<br>Block.....              |
| 1042D | 5963  | Needle Bar Frame Regulator Slide<br>Block Screw.....        |
| 577C  | 5971  | Needle Bar Frame Screw Center<br>(lower).....               |
| 1517E | 5971  | Needle Bar Frame Screw Center<br>(lower) Nut.....           |
| 673F  | 5971  | Needle Bar Frame Screw Center<br>(upper).....               |
| 1517D | 5971  | Needle Bar Frame Screw Center<br>(upper) Nut.....           |
| 43104 | 5964  | Needle Plate.....   |
| 1230F | 5964  | " " Screw (#2).....   |
| 904F  | 5964  | " Set Screw.....  |
| 14031 | 5956  | Oscillating Rock Shaft with 4784...                         |
| 14856 | 5965  | " " " Crank with<br>735C.....                               |
| 2049  | 5965  | Oscillating Rock Shaft Crank Pin                            |
| 735C  | 5965  | " " " " Set<br>Screw.....                                   |
| 4784  | 5951  | Oscillating Rock Shaft Oil Pad....                          |
| 7317  | 5956  | " Shaft.....  |
| 7318  | 5965  | " " Crank with 735C<br>and 1813.....                        |
| 2049  | 5965  | Oscillating Shaft Crank Pin.....                            |
| 1813  | 5965  | " " " Roller and<br>Stud.....                               |

| No.    | Plate | Name  |
|--------|-------|---|
| 735c   | 5965  | Oscillating Shaft Crank Set Screw   |
| 17941  | 5966  | Pulley (loose), 2 $\frac{1}{2}$ in. diameter ....   |
| 17848  | 5966  | " " Bushing .....   |
| 2269   | 5963  | " " " Position Pin ..   |
| 1202b  | 5971  | " " " Cap Screw .....   |
| 43105  | 5966  | " (tight), 2 $\frac{1}{2}$ in. diam., with 2269   |
| 2022   | 5951  | " " Pin .....   |
| 43106  | ---   | Pulleys complete, Nos. 1202b, 1206c,<br>17848, 17941, 43105 and 43112 ..                      |
| 23500  | 5965  | Shuttle Bobbin .....  |
| 15140  | 5965  | " " Case Latch .....  |
| 2973   | 5965  | " " " " Lever .....   |
| 2974   | 5962  | " " " " Ful-<br>crum Pin .....  |
| 2975   | 5965  | Shuttle Bobbin Case Latch Spring..  |
| 592E   | 5965  | " " " " Stop<br>Screw .....   |
| 15141  | ---   | Shuttle Bobbin Case Hinge, Nos.<br>2973, 2974 and 15140 .....                                 |
| 23501  | 5965  | Shuttle Bobbin Case Position Finger   |
| 2523   | 5965  | " " " " "<br>Rivet .....  |
| 23502  | 5965  | Shuttle Bobbin Case complete, Nos.<br>591E, 592E, 2523, 2975, 15141, 23501<br>and 23680 ..... |
| 49301  | 5965  | Shuttle Body .....  |
| 591E   | 5965  | " Tension Regulating Screw..  |
| 23680  | 5965  | " " Spring .....  |
| 49302  | 5965  | Shuttle, 1 $\frac{1}{2}$ in. diam., Nos. 23500,<br>23502 and 49301 .....                      |
| 43107  | 5965  | Shuttle Driver with 462c .....  |
| 2049   | 5965  | " " Pin .....   |
| 462c   | 5965  | " " Set Screw .....   |
| 43108  | 5950  | " Pitman with 44361, 49308 and<br>four 187E .....   |
| *44361 | ---   | Shuttle Pitman Cap (left) .....   |
| 187E   | 5971  | " " " " Screw ..  |
| *49308 | ---   | " " " (right) .....   |
| 187E   | 5971  | " " " " Screw ..  |
| 777c   | 5965  | " " Connecting Ball Joint<br>Screw (2) .....  |
| 1519E  | 5965  | Shuttle Pitman Connecting Ball<br>Joint Screw Nut (2) .....                                   |
| 49311  | 5981  | Shuttle Pitman Crank Wheel with<br>435c and 743c .....  |
| 743c   | 5971  | Shuttle Pitman Crank Wheel Posi-<br>tion Screw .....  |
| 435c   | 5971  | Shuttle Pitman Crank Wheel Set<br>Screw .....   |

| No.    | Plate | Name   |
|--------|-------|--|
| 14049  | 4018  | Shuttle Race Back .....  |
| 2532   | 4018  | " " " Position Pin..   |
| 2533   | 4018  | " " " Spring .....   |
| 648b   | 4018  | " " " " Screw ...  |
| 23506  | ---   | " " Body .....   |
| *39904 | ---   | " " " 23506 with 7326<br>and two 662b .....  |
| 7326   | 4018  | Shuttle Race Cap .....   |
| 662b   | 4018  | " " " Screw .....  |
| 23621  | 4018  | Shuttle Race complete, Nos. 648b,<br>2533, 14049, 33904 and two 2532   |
| 145E   | 4018  | Shuttle Race Screw (2) .....   |
| 43109  | 5958  | " " Bracket .....  |
| 14051  | 5964  | " " " Adjusting Slide  |
| 219F   | 5964  | " " " " "<br>Screw (2) .....   |
| 14026  | 5964  | Shuttle Race Bracket Adjusting Slide<br>Steady Pin (2) .....   |
| 146b   | 5971  | Shuttle Race Bracket Screw (3)....   |
| 43110  | 5966  | Starting Lever .....   |
| 43146  | 5966  | " " Handle .....   |
| 190b   | 5971  | " " " " Screw (2)....  |
| 1262c  | 5967  | " " Hinge Screw .....  |
| 1662c  | 5967  | " " " " Nut ....   |
| 43111  | 5966  | " " Rod .....  |
| 61c    | 5967  | " " " Hinge Screw....  |
| 43112  | 5967  | Stop Cam .....   |
| 43113  | 5967  | " " Interlocking Rod .....   |
| 43114  | 5966  | " " " " Case   |
| 43115  | 5966  | " " " " "<br>Bracket .....   |
| 43116  | ---   | Stop Cam Interlocking Rod Case<br>Bracket complete, Nos. 1204E,<br>1254c, 1262c, 1416b, 1508c, 1662c,<br>17859, 17861, 17863, 17864, 39223,<br>43110, 43113 to 43115, 43117, 43118,<br>43150 and two each 898b and 1255b |
| 1343E  | 5967  | Stop Cam Interlocking Rod Case<br>Bracket Screw (2) .....  |
| 1204E  | 5967  | Stop Cam Interlocking Rod Case<br>Hinge Screw .....  |
| 17859  | 5966  | Stop Cam Interlocking Rod Case<br>Socket Joint .....   |
| 898b   | 5967  | Stop Cam Interlocking Rod Case<br>Socket Joint Cap Screw (2) ....  |
| 43117  | 5967  | Stop Cam Interlocking Rod Case<br>Spring .....   |
| 17861  | 5967  | Stop Cam Interlocking Rod Case<br>Stop Stud .....  |



| No.   | Plate | Name  |
|-------|-------|---|
| 1254c | 5967  | Stop Cam Interlocking Rod Case<br>Stop Stud Screw Bushing .....             |
| 1508c | 5967  | Stop Cam Interlocking Rod Case<br>Stop Stud Screw Bushing Lock<br>Nut ..... |
| 43118 | 5967  | Stop Cam Interlocking Rod Case<br>Stop Stud Spring .....                    |
| 17863 | 5967  | Stop Cam Interlocking Rod Spring  |
| 17864 | 5967  | " " " " Stop  |
| 1416D | 5967  | " " " " "   |
|       |       | Screw .....   |
| 3012  | 5967  | Stop Cam Pin .....  |
| 1206c | 5967  | " " Screw .....   |
| 43119 | 5966  | " Lever with 43120 and two 402D   |
| 43120 | 5968  | " " Brake (leather) .....   |
| 402D  | 5968  | " " " Screw .....   |
| 1064D | 5968  | " " Hinge Screw .....   |
| 43121 | 5968  | " " Spring .....  |
| 1417E | 5968  | " " " Screw Stud .....  |
| 43122 | 5968  | " Rod (hand) .....  |
| 43123 | 5968  | " " Head with 465c .....  |
| 465c  | 5968  | " " " Set Screw .....   |
| 2273  | 5968  | " " Pin .....   |
| 2102  | 5969  | Tension (front of arm) Disc (2)....   |
| 1560c | 5969  | " " " " Regulating<br>Thumb Nut .....                                       |
| 43124 | 5969  | Tension (front of arm) Releaser<br>with 200F .....                          |
| 200F  | 5969  | Tension (front of arm) Releaser<br>Set Screw .....                          |
| 43125 | 5969  | Tension (front of arm) Releaser<br>Shaft .....                              |
| 43126 | 5969  | Tension (front of arm) Releaser<br>Shaft Arm with 200F and 49307            |
| 43127 | 5969  | Tension (front of arm) Releaser<br>Shaft Arm Connection .....               |
| 401D  | 5969  | Tension (front of arm) Releaser<br>Shaft Arm Connection Screw (2)           |
| 200F  | 5969  | Tension (front of arm) Releaser<br>Shaft Arm Set Screw .....                |
| 49307 | 5969  | Tension (front of arm) Releaser<br>Shaft Arm Stud .....                     |
| 43128 | 5969  | Tension (front of arm) Releaser<br>Shaft Bracket .....                      |
| 164D  | 5969  | Tension (front of arm) Releaser<br>Shaft Bracket Screw (2) .....            |
| 413F  | 5969  | Tension (front of arm) Screw Stud   |
| 13710 | 5969  | " " " " Spring .....  |
| 15623 | 5969  | " " " " Thread<br>Guard .....   |

| No.   | Plate | Name   |
|-------|-------|--|
| 43129 | 5970  | Tension (top of arm) Bracket with<br>620c .....                            |
| 157D  | 5970  | Tension (top of arm) Bracket<br>Screw (2) .....                            |
| 2102  | 5969  | Tension (top of arm) Disc (2) ....   |
| 1560c | 5969  | " " " " Regulating<br>Thumb Nut .....                                      |
| 49305 | 5970  | Tension (top of arm) Releaser with<br>217F, 7071 and 49306 .....           |
| 49306 | 5970  | Tension (top of arm) Releaser Ex-<br>tension (adjustable) .....            |
| 217F  | 5970  | Tension (top of arm) Releaser Ex-<br>tension Screw .....                   |
| 7071  | 5970  | Tension (top of arm) Releaser Ex-<br>tension Screw Washer .....            |
| 90D   | 5970  | Tension (top of arm) Releaser<br>Hinge Screw .....                         |
| 43131 | 5970  | Tension (top of arm) Releaser<br>Lever .....                               |
| 43132 | 5970  | Tension (top of arm) Releaser<br>Lever Connection .....                    |
| 940F  | 5970  | Tension (top of arm) Releaser<br>Lever Connection Hinge Screw<br>(2) ..... |
| 59D   | 5970  | Tension (top of arm) Releaser<br>Lever Hinge Screw .....                   |
| 828F  | 5970  | Tension (top of arm) Screw Stud  |
| 2103  | 5970  | " " " " Spring .....   |
| 43133 | 5970  | " " " " Thread Eye-<br>let .....   |
| 10145 | 5970  | Thread Eyelet (front of arm) .....   |
| 460c  | 5970  | " " " " " Set<br>Screw .....   |
| 2112  | 5970  | Thread Retaining Disc with 2113...   |
| 2113  | 5970  | " " " " Steady Pin   |
| 2114  | 5970  | " " Spring .....   |
| 2115  | 5970  | " " Stud .....   |
| 620c  | 5970  | " " " Set Screw ....   |
| 2111  | 5970  | Thread Retainer Guide complete,<br>Nos. 2112, 2114 and 2115 .....          |
| 7562  | 5966  | Thread Take-up Cam (steel) with<br>448c .....                              |
| 2117  | 5951  | Thread Take-up Cam Pin .....   |
| 448c  | 5971  | " " " Set Screw ..   |
| 7334  | 5966  | " " Lever with 1822 ....   |
| 79c   | 5971  | " " " Hinge Screw ..   |

| No.   | Plate | Name                                       |
|-------|-------|--|
| 1822  | 5971  | Thread Take-up Lever Roller and Stud ..... |
| 43134 | 5970  | Thread Take-up Spring .....                |
| 7336  | 5970  | " " " Regulator ...                        |
| 4430  | 5970  | " " " " Set screw .....                    |

## MACHINE No. 84-2

Makes Straight Buttonhole with Barred Ends. Cuts  
Buttonhole After Stitching.

The same as Machine No. 84-1 with the following  
exceptions:

| No.   | Plate | Name   |
|-------|-------|--|
| 49317 | 5982  | Stop Cam Interlocking Rod Case<br>Stop Stud Spring, in place of<br>43118 ..... |
| 49318 | 5982  | Stop Lever Spring, in place of<br>43121 .....                                  |



## THREAD UNWINDER

For One Small Spool

| No.   | Plate | Name   |
|-------|-------|--|
| 27702 | 5975  | Spool Pin .....  |
| 27442 | 5975  | " Rest with 27702 .....  |
| 27443 | 5975  | " Weight with 27444 and 27445 .....  |
| 27444 | 5968  | " " Center .....   |
| 27445 | 5975  | " " Thread Guide .....   |
| 27447 | 5975  | Thread Eyelet Rod .....  |
| 27446 | 5975  | " " Wire .....   |
| 27448 | —     | Thread Eyelet complete, Nos. 27446 and 27447 .....   |
| 27449 | 5975  | Thread Unwinder complete, Nos. 27442, 27443, 27448 and two wood screws $\frac{3}{4}$ in., No. 10 ..... |

## FOR MACHINE No. 84-2

|         |      |   |
|---------|------|---|
| 43062   | —    | Knife, $\frac{3}{8}$ inch .....                         |
| 43064   | —    | " $\frac{1}{2}$ inch .....                              |
| 43066   | —    | " $\frac{5}{8}$ inch .....                              |
| 23500   | 5965 | Shuttle Bobbin (5) .....                                |
| 71 x 1  | —    | Needles, three each, sizes 11 and 14 .....              |
| 7545    | 5976 | Drip Pan .....  |
| 41401   | 5980 | Machine Rest Pin (wood), 5 $\frac{1}{2}$ in. long ..... |
| 36569   | 5981 | Oiler and Cap with 36571 .....                          |
| 36570   | —    | " 36569 filled with oil .....                           |
| 36571   | 5981 | " Spout, 1 $\frac{3}{4}$ in. long, with 36807 .....     |
| 36807   | —    | " " Washer .....  |
| *120088 | —    | Screw Driver Blade, for 26026 .....                     |
| *120090 | —    | " " Handle, for 26026 .....                             |
| 26026   | 5972 | " " (machine), Nos. 120088 and 120090 .....             |
| *120092 | —    | Screw Driver Blade, for 26485 .....                     |
| *120094 | —    | " " Handle, for 26485 .....                             |
| 26485   | 5972 | " " (shuttle tension), Nos. 120092 and 120094 .....     |
| 10875   | 5972 | Wrench, for 1517, 1519, 1520 and 1662 .....             |

## BOBBIN WINDER

(Swinging Automatic, Right Hand)

| No.   | Plate | Name   |
|-------|-------|--|
| 27914 | 5973  | Base with 27916 and two 28084 ....   |
| 15072 | 5968  | Bobbin Position Pin .....  |
| 27916 | 5968  | Brake (leather) .....  |
| 28084 | 5968  | " Rivet .....  |
| 27302 | 5973  | Frame .....  |
| 32D   | 5971  | " Hinge Screw .....  |
| 27917 | 5968  | " Spring .....   |
| 27918 | 5973  | Pulley .....   |
| 27538 | 5973  | Spindle with 15072 .....   |
| 27919 | 5973  | Stop Latch .....   |
| 35D   | 5971  | " " Hinge Screw .....  |
| 27920 | 5980  | Tension Bracket with 452c .....  |
| 41336 | 5980  | Tension Bracket complete, Nos. 5989, 10145 and 27920 .....   |
| 452c  | 5979  | Tension Bracket Plug Screw .....   |
| 2455  | 5968  | " Disc .....   |
| 1562D | 5968  | " Regulating Thumb Nut .....   |
| 418D  | 5968  | " Screw Stud .....   |
| 10141 | 5968  | " Spring .....   |
| 10145 | 5970  | " Thread Guide .....   |
| 5989  | —     | Tension complete, Nos. 418D, 1562D, 10141 and two 2455 .....   |
| 27923 | 5973  | Bobbin Winder, Nos. 32D, 35D, 27302, 27538, 27914 and 27917 to 27919 .....   |
| 41337 | —     | Bobbin Winder (swinging automatic, right hand) complete, Nos. 27923, 41336, wood screw $\frac{3}{4}$ in., No. 10, R.H.B., and two wood screws $\frac{3}{4}$ in., No. 8 ..... |

## CLAMP TREADLE

|       |      |  |
|-------|------|--|
| 17876 | 5978 | Clamp Treadle with 443c .....  |
| 43136 | —    | " " Chain, 35 $\frac{1}{2}$ in. long, with 39575 and 39576 .....                           |
| 39575 | 5979 | Clamp Treadle Chain Hook (lower) .....   |
| 39576 | 5979 | " " " " (upper) .....  |
| 23551 | 5979 | " " " Screw Eye .....  |
| 17881 | 5979 | " " Shaft .....  |
| 443C  | 5970 | " " " Set Screw .....  |
| 17882 | 5979 | " " Spring .....   |
| 17883 | 5978 | " " Stand .....  |
| 17884 | 5978 | Clamp Treadle complete, Nos. 17876, 17881 to 17883 and two wood screws 1 in., No. 10 ..... |

## IRON BASE

| No.   | Plate | Name   |
|-------|-------|--|
| 43135 | 5977  | Bed Frame with two 14097, four each 11118, 14010 and five wood screws 1½ in., No. 12 ..... |
| 11118 | 5979  | Bed Frame Cushion (leather) .....  |
| 14098 | 5968  | " Hinge Connection .....   |
| 14008 | 5979  | " " " Pin .....  |
| 14009 | 5979  | " " Plate .....  |
| 14010 | 5979  | " " " Rivet .....  |
| 14097 | —     | Bed Frame Hinge complete, Nos. 14008, 14009 and 14098 .....                                |

## STARTING TREADLE

|       |      |   |
|-------|------|---|
| 17943 | 5978 | Starting Treadle with 196F .....  |
| 43137 | —    | " " Chain, 34 in. long, with 39575 and 39576 .....  |
| 39575 | 5979 | Starting Treadle Chain Hook (lower) .....   |
| 39576 | 5979 | Starting Treadle Chain Hook (upper) .....   |
| 23551 | 5979 | Starting Treadle Chain Screw Eye .....  |
| 43138 | 5978 | " " Extension .....   |
| 196F  | 5963 | " " " Set Screw ..  |
| 17881 | 5979 | " " Shaft .....   |
| 17882 | 5979 | " " Spring .....  |
| 17883 | 5978 | " " Stand .....   |
| 43139 | 5978 | Starting Treadle complete, Nos. 17881 to 17883, 17943, 43138 and two wood screws 1 in., No. 10 .. |

## TABLE BELT GUIDE

|       |      |   |
|-------|------|---|
| 39218 | 5978 | Belt Guide with two 168E .....  |
| 168E  | 5979 | " " Set Screw .....   |
| 17892 | 5978 | Bracket with two 153E .....   |
| 17893 | 5978 | Pulley .....  |
| 39219 | 5978 | " Shaft (long) with 17896 .....   |
| 39220 | 5978 | " " (short) with 17896 .....  |
| 17896 | 5979 | " " Plug .....  |
| 153E  | 5979 | " " Set Screw .....   |
| 39221 | —    | Table Belt Guide complete, Nos. 17892, 39219, 39220, two each 17893, 39218 and three wood screws 1½ in., No. 12 ..... |

## THREAD UNWINDER

For Two Large Spools or Two Large Cones of Thread.

| No.   | Plate | Name   |
|-------|-------|--|
| 27623 | 2837  | Spool Pin .....  |
| 155c  | 5979  | " " Set Screw .....  |
| 41530 | 2837  | " Rest .....   |
| 41531 | —     | " " 41530 with 1149c, two each 155c and 27623 .....  |
| 1149c | 5979  | Spool Rest Set Screw .....   |
| 27940 | 2837  | " Stand with 453c .....  |
| 41514 | 2837  | " Weight, 4 in. diam, with 41515 .....   |
| 41515 | 5979  | " " Center Pin .....   |
| 27739 | 2837  | Thread Cone (wood) .....   |
| 41566 | 2837  | " Guard with two 41569 .....   |
| 41569 | 5979  | " " Eyelet .....   |
| 41437 | 2837  | " " Rod, 30 in. long, with 735c .....  |
| 453c  | 5957  | Thread Guard Rod Set Screw .....   |
| 735c  | 5965  | " " Set Screw .....  |
| 41533 | 2837  | Thread Unwinder complete, Nos. 27940, 41437, 41531, 41566, two each 27739, 41514 and three wood screws 1 in., No. 12 ..... |

## STAND

Rocking Treadle, Ball Bearing Pitman

FOR MACHINE No. 84-1

| No.    | Plate | Name  |
|--------|-------|---|
| 46532  | 5976  | Band Wheel, 18 in. diam., with 972c   |
| 46519  | 5976  | " " Crank .....   |
| 46520  | ---   | Band Wheel Crank and Pitman (ball bearing) complete, Nos. 1520c, 1670c, 25361, 25371, 46506 to 46509, 46519, 46523 and eleven 25362 .....     |
| 296c   | 3826  | Band Wheel Crank Screw Center   |
| 1507E  | 3826  | " " " " " " Nut .....   |
| 972c   | 3826  | Band Wheel Set Screw .....  |
| 25020  | ---   | Belt, size $\frac{1}{2}$ in., length $72\frac{1}{2}$ in., with 25127 .....  |
| 25127  | 3826  | Belt Hook .....   |
| 46533  | 5976  | Brace with 296c, two 297c and three 1507E .....   |
| 748E   | 3826  | Brace Screw .....   |
| 46522  | 5976  | Leg .....   |
| 25362  | 3826  | Pitman Ball, size $\frac{3}{8}$ inch .....  |
| 46506  | 3826  | " " Bearing Adjusting Screw Ring .....  |
| 46507  | 3826  | Pitman Ball Bearing Adjusting Screw Ring Locking Washer (brass) .....   |
| 46508  | 3826  | Pitman Ball Bearing Ring .....  |
| 46509  | 3826  | " " Case .....  |
| 46523  | 5976  | " Rod with 25360 .....  |
| *25360 | ---   | " " Ball .....  |
| 25371  | 3826  | " " Bushing .....   |
| 25361  | 3826  | " " Screw Bearing .....   |
| 1670E  | 3826  | " " " " " Nut .....   |
| 1520E  | 3826  | " " Lock Nut .....  |
| 46524  | 5976  | Treadle .....   |
| 297c   | 3826  | " Screw Center .....  |
| 1507E  | 3826  | " " " Nut .....   |
| 25086  | 5976  | Wrench, for 1507 and 1670 .....   |
| 25200  | 5976  | " " 972 .....   |
| 25267  | ---   | Stand (iron work) rocking treadle, ball bearing pitman complete, Nos. 25086, 25200, 46520, 46524, 46532, 46533, two 46522 and four 748E ..... |

## CABINET TABLE TRIMMINGS

FOR MACHINE No. 84-1

| No.   | Plate | Name  |
|-------|-------|---|
| 25070 | 5968  | Machine Cushion Tack (rubber) ...   |
| 14098 | 5968  | " Hinge Connection .....  |
| 2809  | 5968  | " " " Hinge Pin ..  |
| 7261  | 5968  | " " Plate .....   |
| 15661 | ---   | Machine Hinge complete, Nos. 2809, 7261, 14098 and two wood screws $1\frac{1}{4}$ in., No. 14 ..... |

## KNIVES

|       |      |  |
|-------|------|--|
| 49319 | ---  | Knife, $\frac{3}{4}$ in., for elongated bar buttonholes .....  |
| 49320 | 5982 | Knife, $1\frac{1}{8}$ in., for elongated bar buttonholes ..... |
| 49321 | ---  | Knife, $\frac{7}{8}$ in., for elongated bar buttonholes .....  |
| 49322 | ---  | Knife, $1\frac{1}{2}$ in., for elongated bar buttonholes ..... |
| 49323 | ---  | Knife, 1 in., for elongated bar buttonholes .....              |
| 49324 | ---  | Knife, $1\frac{1}{8}$ in., for elongated bar buttonholes ..... |
| 49325 | ---  | Knife, $1\frac{1}{2}$ in., for elongated bar buttonholes ..... |
| 43060 | ---  | Knife, $\frac{1}{2}$ inch .....                                |
| 43061 | ---  | " $\frac{5}{8}$ inch .....                                     |
| 43062 | ---  | " $\frac{3}{4}$ inch .....                                     |
| 43063 | ---  | " $\frac{7}{8}$ inch .....                                     |
| 43064 | ---  | " $\frac{1}{2}$ inch .....                                     |
| 43065 | ---  | " $\frac{5}{8}$ inch .....                                     |
| 43066 | ---  | " $\frac{3}{4}$ inch .....                                     |
| 43067 | ---  | " $1\frac{1}{8}$ inch .....                                    |
| 43068 | 5960 | " $\frac{3}{4}$ inch .....                                     |
| 43069 | ---  | " $1\frac{1}{2}$ inch .....                                    |
| 43070 | ---  | " $\frac{5}{8}$ inch .....                                     |
| 43071 | ---  | " $1\frac{1}{8}$ inch .....                                    |
| 43072 | ---  | " 1 inch .....   |
| 43073 | ---  | " $1\frac{1}{8}$ inch .....                                    |
| 43074 | ---  | " $1\frac{1}{4}$ inch .....                                    |
| 43075 | ---  | " $1\frac{3}{8}$ inch .....                                    |
| 43076 | ---  | " $1\frac{1}{2}$ inch .....                                    |

**OBSOLETE PARTS**

| No.   | Plate | Name                               |
|-------|-------|------------------------------------|
| 43002 | 5950  | Arm Shaft (upright) .....          |
| 43003 | 5951  | " " " Bushing .....                |
| 43041 | 5957  | Feed Eccentric with two 453c ..... |
| 43046 | 5954  | " Regulating Lever (forked) ...    |
| 43080 | 5950  | Knife Driving Lever Cam with 448c  |

**NUMERICAL LIST OF PARTS  
FOR  
MACHINES OF CLASS 84-**

## NUMERICAL LIST OF PARTS

| No.  | Plate | Name  |
|------|-------|---|
| 11c  | 5961  | Feed Regulating Lever Hinge Screw                               |
| 15c  | 5971  | Needle Bar Frame Cam and Bevel<br>Gear Screw .....              |
| 32b  | 5971  | Bobbin Winder Frame Hinge Screw,<br>for 27923 .....             |
| 35b  | 5971  | Bobbin Winder Stop Latch Hinge<br>Screw, for 27923 .....        |
| 59b  | 5970  | Tension (top of arm) Releaser<br>Lever Hinge Screw .....        |
| 61c  | 5959  | Feed Wheel Driving Lever Pitman<br>Hinge Screw .....            |
| 61c  | 5967  | Starting Lever Rod Hinge Screw                                  |
| 79c  | 5971  | Thread Take-up Lever Hinge Screw                                |
| 90b  | 5970  | Feed Hand Ratchet Lever Pawl<br>Hinge Screw, for 43147 .....    |
| 90b  | 5970  | Tension (top of arm) Releaser<br>Hinge Screw .....              |
| 106b | 5951  | Bed Cover (back) Screw .....                                    |
| 106b | 5951  | " " (front) Screw .....   |
| 120b | 5971  | Arm Side Plate Screw (front), for<br>43001 .....                |
| 123c | 5971  | Arm Screw .....   |
| 145c | 4018  | Shuttle Race Screw .....  |
| 146b | 5971  | " " Bracket Screw .....   |
| 153c | 5979  | Table Belt Guide Pulley Shaft Set<br>Screw, for 17892 .....     |
| 155c | 5979  | Thread Unwinder Spool Pin Set<br>Screw, for 41531 .....         |
| 157b | 5970  | Tension (top of arm) Bracket Screw                              |
| 162b | 5962  | Knife Driving Lever Stop Screw ..                               |
| 164b | 5969  | Tension (front of arm) Releaser<br>Shaft Bracket Screw .....    |
| 168c | 5979  | Table Belt Guide Belt Guide Set<br>Screw, for 39218 .....       |
| 173c | 5960  | Knife Holder Screw .....  |
| 175b | 5962  | " Tripping Lever Stop Screw ..                                  |
| 185H | 5957  | Feed Wheel Driving Lever Block<br>Adjusting Screw Bracket Screw |
| 187c | 5971  | Shuttle Pitman Cap (left) Screw,<br>for 43108 .....             |
| 187c | 5971  | Shuttle Pitman Cap (right) Screw,<br>for 43108 .....            |
| 190b | 5971  | Needle Bar Frame Cam and Bevel<br>Gear Cover Screw .....        |



| No.  | Plate | Name  |
|------|-------|---|
| 190D | 5971  | Starting Lever Handle Screw . . . .                                     |
| 191c | 5953  | Clamp Lifting Arm Screw . . . . .                                       |
| 191c | 5960  | Feed Wheel Tripping Lever Spring<br>Screw . . . . .                     |
| 191c | 5960  | Knife Screw . . . . .   |
| 193F | 5952  | Barring Lever (upper) Pitman Ad-<br>justing Screw, for 43010 . . . . .  |
| 196F | 5963  | Needle Bar Frame Pitman Ball<br>Stud Set Screw, for 43096 . . . . .     |
| 196F | 5963  | Starting Treadle Extension Set<br>Screw, for 17943 . . . . .            |
| 200c | 5962  | Knife Tripping Lever Set Screw, for<br>43088 . . . . .                  |
| 200F | 5969  | Tension (front of arm) Releaser Set<br>Screw, for 43124 . . . . .       |
| 200F | 5969  | Tension (front of arm) Releaser<br>Shaft Arm Set Screw, for 43126       |
| 205F | 5952  | Clamp Plate Guide Screw . . . . .                                       |
| 207F | 5957  | Feed Hand Ratchet Lever Pawl<br>Point Screw, for 43043 . . . . .        |
| 217F | 5957  | Face Plate Screw . . . . .  |
| 217F | 5957  | Feed Wheel Driving Lever Block<br>Plate Screw . . . . .                 |
| 217F | 5957  | Feed Wheel Driving Lever Pitman<br>Cap Screw . . . . .                  |
| 217F | 5970  | Tension (top of arm) Releaser Ex-<br>tension Screw, for 49305 . . . . . |
| 219F | 5964  | Shuttle Race Bracket Adjusting<br>Slide Screw . . . . .                 |
| 220D | 5960  | Feed Wheel Tripping Point Screw,<br>for 43047, 49309, 49310 and 49327   |
| 223F | 5952  | Clamp Arm Hinge Block Pin Set<br>Screw, for 43017 . . . . .             |
| 233D | 5959  | Feed Wheel Retaining Clutch Spring<br>Screw . . . . .                   |
| 240D | 5957  | Feed Hand Ratchet Lever Pawl<br>Spring Screw, for 43147 . . . . .       |
| 296c | 3826  | Band Wheel Crank Screw Center,<br>for 46533 . . . . .                   |
| 297c | 3826  | Treadle Screw Center, for 46533 . .                                     |
| 356c | 5971  | Rock Shaft Knee Arm Hub Set<br>Screw, for 2766 . . . . .                |
| 356c | 5971  | Rock Shaft Knee Plate Set Screw,<br>for 2767 . . . . .                  |
| 356c | 5971  | Rock Shaft Lifting Bracket Hook<br>Set Screw, for 6337 . . . . .        |
| 356c | 5971  | Rock Shaft Lifting Bracket Set<br>Screw, for 6337 . . . . .             |

| No.  | Plate | Name  |
|------|-------|---|
| 356c | 5971  | Rock Shaft Stop Dog Set Screw,<br>for 2770 . . . . .                      |
| 380c | 5960  | Needle Bar Connecting Link Hinge<br>Screw . . . . .                       |
| 401D | 5969  | Clamp Plate Support Screw . . . . .                                       |
| 401D | 5969  | Tension (front of arm) Releaser<br>Shaft Arm Connection Screw . .         |
| 402D | 5968  | Stop Lever Brake Screw, for 43119   |
| 413F | 5969  | Tension (front of arm) Screw Stud   |
| 418D | 5968  | Bobbin Winder Tension Screw Stud,<br>for 5989 and 27308 . . . . .         |
| 424c | 5962  | Knife Tripping Lever Latch Spring<br>Screw . . . . .                      |
| 435c | 5971  | Shuttle Pitman Crank Wheel Set<br>Screw, for 49311 . . . . .              |
| 443c | 5970  | Clamp Treadle Shaft Set Screw, for<br>17876 . . . . .                     |
| 443F | 5970  | Thread Take-up Spring Regulator<br>Set Screw . . . . .                    |
| 448c | 5971  | Knife Driving Lever Cam Set Screw,<br>for 43080 and 49312 . . . . .       |
| 448c | 5971  | Thread Take-up Cam Set Screw, for<br>7562 . . . . .                       |
| 449c | 5951  | Arm Shaft (upright) Gear Set<br>Screw, for 7256 . . . . .                 |
| 452c | 5979  | Bobbin Winder Tension Bracket<br>Plug Screw, for 27920 . . . . .          |
| 453c | 5957  | Feed Eccentric Set Screw, for 43041<br>and 49315 . . . . .                |
| 453c | 5960  | Needle Bar Connecting Stud Set<br>Screw, for 7284 . . . . .               |
| 453c | 5957  | Needle Bar Frame Driving Bevel<br>Pinion Set Screw, for 7292 . . . . .    |
| 453c | 5957  | Thread Unwinder Thread Guard Rod<br>Set Screw, for 27940 . . . . .        |
| 457c | 5957  | Feed Hand Ratchet Wheel Set<br>Screw, for 43045 . . . . .                 |
| 457c | 5962  | Knife Tripping Lever Shaft Crank<br>Set Screw, for 43092 . . . . .        |
| 458c | 5951  | Arm Shaft (horizontal) Gear Set<br>Screw, for 7253 . . . . .              |
| 460c | 5963  | Needle Bar Frame Bell Crank Shaft<br>Collar Set Screw, for 6533 . . . . . |
| 460c | 5963  | Needle Bar Frame Regulator Shaft<br>Collar Set Screw, for 6533 . . . . .  |
| 460c | 5970  | Thread Eyelet (front of arm) Set<br>Screw . . . . .                       |
| 462c | 5965  | Shuttle Driver Set Screw, for 43107                                       |
| 465c | 5968  | Stop Rod Head Set Screw, for 43123  |

## Numerical List of Parts

| No.  | Plate | Name  |
|------|-------|---|
| 577c | 5971  | Needle Bar Frame Screw Center (lower) .....                     |
| 591f | 5965  | Shuttle Tension Regulating Screw, for 23502 .....               |
| 592E | 5965  | Shuttle Bobbin Case Latch Stop Screw, for 23502 .....           |
| 602D | 5957  | Feed Wheel Driving Lever Block Lock Spring Screw .....          |
| 620c | 5970  | Thread Retaining Stud Set Screw, for 43129 .....                |
| 624c | 5953  | Clamp Arm Adjusting Screw .....                                 |
| 641D | 5960  | Feed Wheel Tripping Lever Arm Screw .....                       |
| 641D | 5960  | Feed Wheel Tripping Lever Point Screw .....                     |
| 641D | 5962  | Knife Tripping Lever Shaft Spring Screw .....                   |
| 646c | 5953  | Clamp Spring Sleeve Position Screw Stud .....                   |
| 648D | 4018  | Shuttle Race Back Spring Screw, for 23621 .....                 |
| 662D | 4018  | Shuttle Race Cap Screw, for 39904                               |
| 673F | 5971  | Needle Bar Frame Screw Center (upper) .....                     |
| 690D | 5951  | Arm Side Plate Screw (back), for 43001 .....                    |
| 690D | 5951  | Clamp Carrier Slide Cap Screw ....                              |
| 694D | 5971  | Barring Lever (lower) Hinge Screw                               |
| 694D | 5971  | Clamp Carrier Regulating Lever Hinge Screw .....                |
| 704c | 5952  | Clamp Arm Bracket Screw .....                                   |
| 721D | 5959  | Feed Wheel Retaining Clutch Spring Stop Screw .....             |
| 735c | 5965  | Oscillating Rock Shaft Crank Set Screw, for 14856 .....         |
| 735c | 5965  | Oscillating Shaft Crank Set Screw, for 7318 .....               |
| 735c | 5965  | Thread Unwinder Thread Guard Set Screw, for 41437 .....         |
| 743c | 5971  | Shuttle Pitman Crank Wheel Position Screw, for 49311 .....      |
| 748E | 3826  | Brace Screw, for 25267 .....                                    |
| 769c | 5957  | Feed Wheel Driving Lever Block Adjusting Screw, for 39594 ..... |
| 777c | 5965  | Shuttle Pitman Connecting Ball Joint Screw .....                |
| 802D | 5971  | Barring Lever (upper) Hinge Screw                               |
| 807D | 5953  | Clamp Carrier Connecting Link Screw .....                       |

## Numerical List of Parts

| No.   | Plate | Name   |
|-------|-------|--|
| 808D  | 5952  | Barring Lever (lower) Pitman Adjusting Screw, for 43006 .....                  |
| 808D  | 5963  | Needle Bar Frame Pitman Adjusting Screw, for 43100 .....                       |
| 828F  | 5970  | Tension (top of arm) Screw Stud  |
| 866D  | 5962  | Clamp Carrier Lever Hinge Screw  |
| 866D  | 5962  | " " Slide Lever Hinge Screw .....  |
| 866D  | 5962  | Knife Tripping Lever Latch Hinge Screw .....                                   |
| 889c  | 5971  | Clamp Carrier Bar Set Screw, for 43023 .....                                   |
| 889c  | 5971  | Clamp Carrier Slide Bar Set Screw, for 43023 .....                             |
| 898c  | 5957  | Feed Wheel Driving Lever Block Adjusting Screw Clamping Screw, for 39594 ..... |
| 898c  | 5959  | Feed Wheel Retaining Clutch Cap Screw .....                                    |
| 898D  | 5967  | Stop Cam Interlocking Rod Case Socket Joint Cap Screw, for 43116               |
| 904F  | 5964  | Needle Set Screw, for 43095 .....  |
| 940F  | 5970  | Tension (top of arm) Releaser Lever Connection Hinge Screw                     |
| 972c  | 3826  | Band Wheel Set Screw, for 46532  |
| 991c  | 5962  | Knife Tripping Lever Stop Adjusting Screw .....                                |
| 1012E | 5960  | Needle Bar Connecting Link Adjusting Screw, for 7283 .....                     |
| 1042c | 5952  | Barring Lever (upper) Pitman Hinge Screw .....                                 |
| 1042c | 5963  | Needle Bar Frame Regulator Slide Block Screw .....                             |
| 1049c | 5957  | Feed Hand Ratchet Lever Pawl Point Position Screw, for 43043                   |
| 1049c | 5957  | Feed Hand Ratchet Lever Pawl Stop Screw, for 43043 .....                       |
| 1064D | 5968  | Stop Lever Hinge Screw .....   |
| 1094F | 5953  | Clamp Arm Screw .....  |
| 1149c | 5979  | Thread Unwinder Spool Rest Set Screw, for 41531 .....                          |
| 1196c | 5961  | Knife Driving Lever Latch Hinge Screw .....                                    |
| 1202D | 5971  | Pulley (loose) Cap Screw, for 43106  |
| 1204E | 5967  | Stop Cam Interlocking Rod Case Hinge Screw, for 43116 .....                    |
| 1206c | 5967  | Stop Cam Screw, for 43106 .....  |
| 1230F | 5964  | Needle Plate Screw .....   |

## Numerical List of Parts

| No.   | Plate | Name   |
|-------|-------|--|
| 1236c | 5952  | Barring Lever (upper) Adjusting Screw .....                                      |
| 1236c | 5952  | Clamp Carrier Regulating Stud ....   |
| 1236c | 5952  | " " Slide Regulating Stud .....  |
| 1236c | 5963  | Needle Bar Frame Regulator Adjusting Screw .....                                 |
| 1254c | 5967  | Stop Cam Interlocking Rod Case Stop Stud Screw Bushing, for 43116 .....          |
| 1255D | 5951  | Belt Shifter Clamp Screw, for 43116 .....  |
| 1262c | 5967  | Starting Lever Hinge Screw, for 43116 .....                                      |
| 1290c | 5971  | Knife Driving Lever Hinge Screw .....  |
| 1297F | 5953  | Clamp Check Hinge Screw .....  |
| 1340c | 5962  | Knife Tripping Lever Position Screw, for 43088 .....                             |
| 1343E | 5967  | Stop Cam Interlocking Rod Case Bracket Screw .....                               |
| 1409c | 5952  | Barring Lever (lower) Ball Screw Stud .....                                      |
| 1409c | 5952  | Barring Lever (upper) Ball Screw Stud .....                                      |
| 1410D | 5952  | Barring Lever (lower) Ball Screw Stud Cap Screw .....                            |
| 1410D | 5952  | Barring Lever (upper) Ball Screw Stud Cap Screw .....                            |
| 1410D | 5963  | Needle Bar Frame Pitman Ball Stud Cap Screw .....                                |
| 1411c | 5957  | Feed Regulating Stud .....   |
| 1412D | 5960  | " Wheel Tripping Lever Hinge Screw .....   |
| 1413c | 5961  | Knife Driving Lever Latch Arm Hinge Screw .....                                  |
| 1414D | 5961  | Knife Driving Lever Latch Handle .....   |
| 1415c | 5961  | " " Spring Screw .....   |
| 1416D | 5967  | Stop Cam Interlocking Rod Stop Screw, for 43116 .....                            |
| 1417E | 5968  | Stop Lever Spring Screw Stud .....   |
| 1454E | 5960  | Knife Bar Bracket Clamping Screw, for 43078 .....                                |
| 1507E | 3826  | Band Wheel Crank Screw Center Nut, for 46533 .....                               |
| 1507E | 3826  | Treadle Screw Center Nut, for 46533 .....  |
| 1508c | 5967  | Stop Cam Interlocking Rod Case Stop Stud Screw Bushing Lock Nut, for 43116 ..... |
| 1517E | 5971  | Needle Bar Frame Screw Center (lower) Nut .....                                  |

## Numerical List of Parts

| No.   | Plate | Name  |
|-------|-------|---|
| 1517D | 5971  | Needle Bar Frame Screw Center (upper) Nut .....                         |
| 1518E | 5961  | Knife Driving Lever Latch Arm Roller and Screw Stud Nut, for 1974 ..... |
| 1519E | 5965  | Shuttle Pitman Connecting Ball Joint Screw Nut .....                    |
| 1520E | 5952  | Barring Lever (lower) Ball Screw Stud Nut .....                         |
| 1520E | 5960  | Needle Bar Connecting Link Hinge Screw Nut .....                        |
| 1520E | 5963  | Needle Bar Frame Bell Crank Roller and Screw Stud Nut, for 1975 ...     |
| 1520E | 3826  | Pitman Rod Lock Nut, for 46520..  |
| 1550H | 5962  | Knife Tripping Lever Stop Adjusting Screw Nut .....                     |
| 1554F | 5952  | Barring Lever (upper) Adjusting Screw Nut .....                         |
| 1554F | 5952  | Clamp Carrier Regulating Stud Nut .....                                 |
| 1554F | 5952  | " " Slide Regulating Stud Nut .....                                     |
| 1554F | 5957  | Feed Regulating Stud Nut .....  |
| 1554F | 5963  | Needle Bar Frame Regulator Adjusting Screw Nut .....                    |
| 1560c | 5969  | Tension (front of arm) Regulating Thumb Nut .....                       |
| 1560c | 5969  | Tension (top of arm) Regulating Thumb Nut .....                         |
| 1562D | 5968  | Bobbin Winder Tension Regulating Thumb Nut, for 5989 and 27308 .....    |
| 1608c | 5961  | Knife Driving Lever Latch Arm Hinge Screw Nut .....                     |
| 1659c | 5953  | Clamp Pressure Regulating Thumb Nut .....                               |
| 1662c | 5961  | Knife Driving Lever Latch Hinge Screw Nut .....                         |
| 1662c | 5967  | Starting Lever Hinge Screw Nut, for 43116 .....                         |
| 1670E | 5957  | Feed Wheel Bushing Nut .....  |
| 1670E | 3826  | Pitman Rod Ball Screw Bearing Nut, for 46520 .....                      |
| 1813  | 5965  | Oscillating Shaft Crank Roller and Stud, for 7318 .....                 |
| 1822  | 5971  | Thread Take-up Lever Roller and Stud, for 7334 .....                    |
| 1872  | 5971  | Clamp Carrier Slide Lever Roller and Stud, for 43026 .....              |
| 1904  | 5953  | Clamp Spring Sleeve Roller .....  |

## Numerical List of Parts

| No.  | Plate | Name  |
|------|-------|---|
| 1972 | 5971  | Barring Lever (lower) Roller and Stud, for 43005 .....                                  |
| 1973 | 5971  | Clamp Carrier Regulating Lever Roller and Stud, for 43028 .....                         |
| 1974 | 5961  | Knife Driving Lever Latch Arm Roller and Screw Stud with 1518c, for 43082 .....         |
| 1975 | 5963  | Needle Bar Frame Bell Crank Roller and Screw Stud with 1520c and 14017, for 43097 ..... |
| 2022 | 5951  | Pulley (tight) Pin .....  |
| 2049 | 5957  | Feed Hand Ratchet Wheel Pin .....   |
| 2049 | 5965  | Oscillating Rock Shaft Crank Pin .....  |
| 2049 | 5965  | " Shaft Crank Pin .....   |
| 2049 | 5965  | Shuttle Driver Pin .....  |
| 2102 | 5969  | Tension (front of arm) Disc .....   |
| 2102 | 5969  | " (top of arm) Disc .....   |
| 2103 | 5970  | " " " Spring .....  |
| 2106 | 5968  | Bobbin Winder Tension Thread Guide, for 27308 .....                                     |
| 2111 | 5970  | Thread Retainer Guide complete, Nos. 2112, 2114 and 2115 .....                          |
| 2112 | 5970  | Thread Retaining Disc with 2113, for 2111 .....   |
| 2113 | 5970  | Thread Retaining Disc Steady Pin, for 2112 .....  |
| 2114 | 5970  | Thread Retaining Spring, for 2111 .....   |
| 2115 | 5970  | " " Stud, for 2111 .....  |
| 2117 | 5951  | Arm Shaft (horizontal) Gear Pin .....   |
| 2117 | 5951  | " " (upright) Gear Pin .....  |
| 2117 | 5951  | Knife Driving Lever Cam Pin .....   |
| 2117 | 5951  | Thread Take-up Cam Pin .....  |
| 2254 | 5959  | Feed Wheel Retaining Clutch .....   |
| 2256 | 5959  | " " " " Spring .....  |
| 2269 | 5963  | Needle Bar Frame Bell Crank Shaft Pin, for 43097 .....                                  |
| 2269 | 5963  | Needle Bar Frame Regulator Shaft Pin, for 43102 .....                                   |
| 2269 | 5963  | Pulley (loose) Bushing Position Pin, for 43105 .....                                    |
| 2273 | 5968  | Stop Rod Pin .....  |
| 2455 | 5968  | Bobbin Winder Tension Disc, for 5989 and 27308 .....                                    |
| 2523 | 5965  | Shuttle Bobbin Case Position Finger Rivet, for 23502 .....                              |
| 2532 | 4018  | Shuttle Race Back Position Pin, for 23621 .....   |
| 2533 | 4018  | Shuttle Race Back Spring, for 23621 .....   |

## Numerical List of Parts

Nos. 2765 to 2767, for 2768.

| No.  | Plate | Name  |
|------|-------|---|
| 2765 | 5974  | Rock Shaft Knee Arm .....   |
| 2766 | 5974  | " " " " Hub with 356c .....   |
| 2767 | 5974  | Rock Shaft Knee Plate with 356c .....   |
| 2768 | —     | Rock Shaft Knee Arm complete, Nos. 2765 to 2767, for 43144 .....                      |
| 2770 | 5974  | Rock Shaft Stop Dog with 356c, for 43144 .....  |
| 2809 | 5968  | Machine Hinge Connection Hinge Pin, for 15661 .....                                   |
| 2973 | 5965  | Shuttle Bobbin Case Latch Lever, for 15141 .....                                      |
| 2974 | 5965  | Shuttle Bobbin Case Latch Lever Fulcrum Pin, for 15141 .....                          |
| 2975 | 5965  | Shuttle Bobbin Case Latch Spring, for 23502 .....                                     |
| 3012 | 5967  | Stop Cam Pin .....  |
| 4784 | 5951  | Oscillating Rock Shaft Oil Pad, for 14031 .....                                       |
| 5968 | 5959  | Feed Wheel Driving Lever Pitman Cap Screw Washer .....                                |
| 5989 | —     | Bobbin Winder Tension complete, Nos. 418b, 1562b, 10141 and two 2455, for 41336 ..... |
| 6337 | 5974  | Rock Shaft Lifting Bracket with two 356c, for 43144 .....                             |
| 6533 | 5963  | Needle Bar Frame Bell Crank Shaft Collar with 460c .....                              |
| 6533 | 5963  | Needle Bar Frame Regulator Shaft Collar with 460c .....                               |
| 7070 | 5952  | Barring Lever (upper) Adjusting Screw Sleeve .....                                    |
| 7070 | 5952  | Clamp Carrier Regulating Stud Sleeve .....  |
| 7070 | 5952  | Clamp Carrier Slide Regulating Stud Sleeve .....                                      |
| 7070 | 5963  | Needle Bar Frame Regulator Adjusting Screw Sleeve .....                               |
| 7071 | 5952  | Barring Lever (upper) Pitman Adjusting Screw Washer, for 43010 .....                  |
| 7071 | 5970  | Tension (top of arm) Releaser Extension Screw Washer, for 49305 .....                 |
| 7253 | 5951  | Arm Shaft (horizontal) Gear, 24 teeth, with 458c .....                                |
| 7256 | 5951  | Arm Shaft (upright) Gear, 24 teeth, with 449c .....                                   |
| 7261 | 5968  | Machine Hinge Plate, for 15661 .....  |

## Numerical List of Parts

| No.   | Plate | Name   |
|-------|-------|--|
| 7283  | 5960  | Needle Bar Connecting Link with 1012E .....                                  |
| 7284  | 5960  | Needle Bar Connecting Stud with 453c .....                                   |
| 7292  | 5951  | Needle Bar Frame Driving Bevel Pinion, 18 teeth, with two 453c ..            |
| 7317  | 5956  | Oscillating Shaft .....  |
| 7318  | 5965  | " " Crank with 735c and 1813 .....   |
| 7326  | 4018  | Shuttle Race Cap, for 39904 .....  |
| 7334  | 5966  | Thread Take-up Lever with 1822 ...   |
| 7336  | 5970  | " " Spring Regulator ...   |
| 7545  | 5976  | Drip Pan .....   |
| 7562  | 5966  | Thread Take-up Cam (steel) with 448c .....                                   |
| 7577  | 5963  | Needle Bar Frame Bell Crank Shaft, for 43097 .....                           |
| 8582  | 5951  | Arm Dowel Pin .....  |
| 9521  | 5951  | Bed Cover (back) Washer (upper)  |
| 9521  | 5951  | " " (front) Washer (upper)   |
| 9525  | 5952  | Clamp Arm Bracket Screw Washer   |
| 9525  | 5952  | " Plate Screw Washer .....   |
| 9525  | 5960  | Feed Wheel Tripping Lever Point Screw Washer .....                           |
| 9525  | 5962  | Knife Tripping Lever Shaft Spring Screw Washer .....                         |
| 10141 | 5968  | Bobbin Winder Tension Spring, for 5989 and 27308 .....                       |
| 10145 | 5970  | Bobbin Winder Tension Thread Guide, for 41336 .....                          |
| 10145 | 5970  | Thread Eyelet (front of arm) .....   |
| 10875 | 5972  | Wrench, for 1517, 1519, 1520 and 1662  |
| 11118 | 5979  | Bed Frame Cushion (leather), for 43135 .....                                 |
| 11241 | 5973  | Bobbin Winder Spool Washer (cloth), for 27308 .....                          |
| 12538 | 5962  | Knife Tripping Lever Shaft Crank Pin .....                                   |
| 13710 | 5969  | Tension (front of arm) Spring .....  |
| 14008 | 5979  | Bed Hinge Connection Pin, for 14097 .....                                    |
| 14009 | 5979  | Bed Hinge Plate, for 14097 .....   |
| 14010 | 5979  | " " " Rivet, for 43135 ...   |
| 14017 | 5957  | Feed Regulating Stud Nut Washer  |
| 14017 | 5963  | Needle Bar Frame Bell Crank Roller and Screw Stud Nut Washer, for 1975 ..... |
| 14026 | 5964  | Shuttle Race Bracket Adjusting Slide Steady Pin .....                        |

## Numerical List of Parts

| No.   | Plate | Name   |
|-------|-------|--|
| 14031 | 5956  | Oscillating Rock Shaft with 4784 ...   |
| 14049 | 4018  | Shuttle Race Back, for 23621 .....   |
| 14051 | 5964  | " " Bracket Adjusting Slide .....  |
| 14097 | —     | Bed Frame Hinge complete, Nos. 14008, 14009 and 14098, for 43135   |
| 14098 | 5968  | Bed Hinge Connection, for 14097 and 15661 .....  |
| 14856 | 5965  | Oscillating Rock Shaft Crank with 735c .....   |
| 15072 | 5968  | Bobbin Winder Bobbin Position Pin, for 27538 .....   |
| 15140 | 5965  | Shuttle Bobbin Case Latch, for 15141   |
| 15141 | —     | " " " Hinge, Nos. 2973, 2974 and 15140, for 23502 ...  |
| 15200 | 5974  | Rock Shaft Hanger (front) with two wood screws 1 in., No. 10, for 43144 .....                                    |
| 15623 | 5969  | Tension (front of arm) Thread Guard .....  |
| 15661 | —     | Machine Hinge complete, Nos. 2809, 7261, 14098 and two wood screws 1½ in., No. 14, for Machine No. 84-1          |
| 15972 | 5956  | Needle Bar Frame Cam and Bevel Gear (steel), 36 teeth .....  |
| 17848 | 5966  | Pulley (loose) Bushing, for 43106  |
| 17859 | 5966  | Stop Cam Interlocking Rod Case Socket Joint, for 43116 .....   |
| 17861 | 5967  | Stop Cam Interlocking Rod Case Stop Stud, for 43116 .....  |
| 17863 | 5967  | Stop Cam Interlocking Rod Spring, for 43116 .....  |
| 17864 | 5967  | Stop Cam Interlocking Rod Stop, for 43116 .....  |
| 17876 | 5978  | Clamp Treadle with 443c, for 17884   |
| 17881 | 5979  | " " Shaft, for 17884 .....   |
| 17881 | 5979  | Starting Treadle Shaft, for 43139 ..   |
| 17882 | 5979  | Clamp Treadle Spring, for 17884 ...  |
| 17882 | 5979  | Starting Treadle Spring, for 43139 ..  |
| 17883 | 5978  | Clamp Treadle Stand, for 17884 .....   |
| 17883 | 5978  | Starting Treadle Stand, for 43139  |
| 17884 | 5978  | Clamp Treadle complete, Nos. 17876, 17881 to 17883 and two wood screws 1 in., No. 10, for Machine No. 84-2 ..... |
| 17892 | 5978  | Table Belt Guide Bracket with two 153E, for 39221 .....  |
| 17893 | 5978  | Table Belt Guide Pulley, for 39221   |
| 17896 | 5979  | " " " " Shaft Plug, for 39219 and 39220 .....  |

## Numerical List of Parts

| No.    | Plate | Name   |
|--------|-------|--|
| 17941  | 5966  | Pulley (loose), 2 $\frac{3}{4}$ in diam., for 43106  |
| 17943  | 5978  | Starting Treadle with 196F, for 43139  |
| 23390  | 5960  | Knife Screw Washer .....   |
| 23500  | 5965  | Shuttle Bobbin, for 49302 .....  |
| 23501  | 5965  | " " Case Position Finger,<br>for 23502 .....   |
| 23502  | 5965  | Shuttle Bobbin Case complete, Nos.<br>591F, 592E, 2523, 2975, 15141,<br>23501 and 23680, for 49302 .....   |
| 23506  | ---   | Shuttle Race Body, for 39904 .....   |
| 23551  | 5979  | Clamp Treadle Chain Screw Eye,<br>for Machine No. 84-2 .....   |
| 23551  | 5979  | Starting Treadle Chain Screw Eye<br>for Machine No. 84-2 .....   |
| 23621  | 4018  | Shuttle Race complete, Nos. 648D,<br>2533, 14049, 39904 and two 2532   |
| 23680  | 5965  | Shuttle Tension Spring, for 23502 ...  |
| 25020  | ---   | Belt, size $\frac{3}{4}$ in., length 72 $\frac{1}{2}$ in., with<br>25127, for Machine No. 84-1 .....   |
| 25070  | 5968  | Machine Cushion Tack (rubber), for<br>Machine No. 84-1 .....   |
| 25086  | 5976  | Wrench, for 1507 and 1670, for 25267   |
| 25127  | 3826  | Belt Hook, for 25020 .....   |
| 25200  | 5976  | Wrench, for 972, for 25267 .....   |
| 25267  | ---   | Stand (iron work) rocking treadle,<br>ball bearing pitman, complete,<br>Nos. 25086, 25200, 46520, 46524,<br>46532, 46533, two 46522 and four<br>748E, for Machine No. 84-1 ..... |
| *25360 | ---   | Pitman Rod Ball, for 46523 .....   |
| 25361  | 3826  | " " " Screw Bearing,<br>for 46520 .....  |
| 25362  | 3826  | Pitman Ball, size $\frac{3}{8}$ in., for 46520   |
| 25371  | 3826  | " Rod Ball Bushing, for 46520  |
| 26026  | 5972  | Screw Driver (machine), Nos. 120088<br>and 120090 .....  |
| 26485  | 5972  | Screw Driver (shuttle tension), Nos.<br>120092 and 120094 .....  |
| 27302  | 5973  | Bobbin Winder Frame, for 27923 ...   |
| 27306  | 5973  | " " Spool Pin, for 27308   |
| 27307  | 5973  | " " " Stand, for 27308   |
| 27308  | 5973  | Bobbin Winder Spool Stand complete,<br>Nos. 418D, 1562D, 2106,<br>10141, 11241, 27306, 27307 two each<br>2455 and wood screws 1 in. No.<br>10, for 41581 .....                   |
| 27442  | 5975  | Thread Unwinder Spool Rest with<br>27702, for 27449 .....  |

## Numerical List of Parts

| No.   | Plate | Name   |
|-------|-------|--|
| 27443 | 5975  | Thread Unwinder Spool Weight<br>with 27444 and 27445, for 27449  |
| 27444 | 5968  | Thread Unwinder Spool Weight<br>Center, for 27443 .....  |
| 27445 | 5975  | Thread Unwinder Spool Weight<br>Thread Guide, for 27443 .....  |
| 27446 | 5975  | Thread Unwinder Thread Eyelet<br>Wire, for 27448 .....   |
| 27447 | 5975  | Thread Unwinder Thread Eyelet<br>Rod, for 27448 .....  |
| 27448 | ---   | Thread Unwinder Thread Eyelet<br>complete, Nos. 27446 and 27447,<br>for 27449 .....  |
| 27449 | 5975  | Thread Unwinder complete, for one<br>small spool, Nos. 27442, 27443,<br>27448 and two wood screws $\frac{3}{8}$<br>in., No. 10, for Machine No. 84-1 |
| 27538 | 5973  | Bobbin Winder Spindle with 15072,<br>for 27923 .....   |
| 27623 | 2837  | Thread Unwinder Spool Pin, for<br>41531 .....  |
| 27702 | 5975  | Thread Unwinder Spool Pin, for<br>27442 .....  |
| 27739 | 2837  | Thread Unwinder Thread Cone<br>(wood), for 41533 .....   |
| 27914 | 5973  | Bobbin Winder Base with 27916 and<br>two 28084, for 27923 .....  |
| 27916 | 5968  | Bobbin Winder Brake (leather), for<br>27914 .....  |
|       |       | Nos. 27917 to 27919, for 27923.  |
| 27917 | 5968  | Bobbin Winder Frame Spring .....   |
| 27918 | 5973  | " " Pulley .....   |
| 27919 | 5973  | " " Stop Latch .....   |
| 27920 | 5980  | " " Tension Bracket with<br>452c, for 41336 .....  |
| 27923 | 5973  | Bobbin Winder, Nos. 32D, 35D, 27302,<br>27538, 27914 and 27917 to 27919,<br>for 41337 and 41581 .....  |
| 27940 | 2837  | Thread Unwinder Spool Stand with<br>453c, for 41533 .....  |
| 28084 | 5968  | Bobbin Winder Brake Rivet, for<br>27914 .....  |
| 36569 | 5981  | Oiler and Cap with 36571, for 36570  |
| 36570 | ---   | " 36569 filled with oil .....  |
| 36571 | 5981  | " Spout, 1 $\frac{3}{4}$ in. long, with 36807,<br>for 36569 .....  |
| 36807 | ---   | Oiler Spout Washer, for 36571 .....  |

Nos. 39218 to 39220, for 39221.

| No.    | Plate | Name  |
|--------|-------|---|
| 39218  | 5978  | Table Belt Guide Belt Guide with two 168E, for 39221 .....  |
| 39219  | 5978  | Table Belt Guide Pulley Shaft (long) with 17896, for 39221 .....  |
| 39220  | 5978  | Table Belt Guide Pulley Shaft (short) with 17896, for 39221 .....   |
| 39221  | —     | Table Belt Guide complete, Nos. 17892, 39219, 39220, two each 17893, 39218 and three wood screws 1½ in., No. 12, for Machine No. 84-2 ..... |
| 39223  | 5951  | Belt Shifter Clamp, for 43116 .....   |
| 39504  | 5957  | Feed Wheel Driving Lever Block Adjusting Screw Clamping Screw Washer, for 39594 .....   |
| 39504  | 5959  | Feed Wheel Retaining Clutch Cap Screw Washer .....  |
| 39541  | 5952  | Barring Lever (upper) Adjusting Screw Nut Washer .....  |
| 39541  | 5952  | Clamp Carrier Regulating Stud Nut Washer .....  |
| 39541  | 5952  | Clamp Carrier Slide Regulating Stud Nut Washer .....  |
| 39541  | 5963  | Needle Bar Frame Regulator Adjusting Screw Washer .....   |
| 39575  | 5979  | Clamp Treadle Chain Hook (lower), for 43136 .....   |
| 39575  | 5979  | Starting Treadle Chain Hook (lower), for 43137 .....  |
| 39576  | 5979  | Clamp Treadle Chain Hook (upper), for 43136 .....   |
| 39576  | 5979  | Starting Treadle Chain Hook (upper), for 43137 .....  |
| 39594  | 5957  | Feed Wheel Driving Lever Block Adjusting Screw Bracket with 769c, 898c and 39504 .....  |
| 39595  | 5959  | Feed Wheel Retaining Clutch Cap   |
| 39598  | 5957  | " " Driving Lever Block Lock Spring .....   |
| *39904 | —     | Shuttle Race Body 23506 with 7326 and two 662D, for 23621 .....   |
| 41336  | 5980  | Bobbin Winder Tension Bracket complete, Nos. 5989, 10145 and 27920, for 41337 .....   |

| No.    | Plate | Name  |
|--------|-------|---|
| 41337  | —     | Bobbin Winder (swinging automatic, right hand) complete, Nos. 27923, 41336, wood screw ¾ in., No. 10, R.H.B. and two wood screws ¾ in., No. 8, for Machine No. 84-2 .....                           |
| 41401  | 5980  | Machine Rest Pin (wood), 5½ in. long, for Machine No. 84-2 .....  |
| 41437  | 2837  | Thread Unwinder Thread Guard Rod, 30 in. long, with 735c, for 41533 .....   |
| 41514  | 2837  | Thread Unwinder Spool Weight, 4 in. diam., with 41515, for 41533  |
| 41515  | 5979  | Thread Unwinder Spool Weight Center Pin, for 41514 .....  |
| 41530  | 2837  | Thread Unwinder Spool Rest, for 41531 .....   |
| 41531  | —     | Thread Unwinder Spool Rest 41530 with 1149c and two each 155c and 27623, for 41533 .....  |
| 41533  | 2837  | Thread Unwinder complete, for two large spools or two large cones of thread, Nos. 27940, 41437, 41531, 41566, two each 27739, 41514 and three wood screws 1 in., No. 12, for Machine No. 84-2 ..... |
| 41564  | 5972  | Machine Rest Pin (wood), 4 in. long, for Machine No. 84-1 .....   |
| 41566  | 2837  | Thread Unwinder Thread Guard with two 41569, for 41533 .....  |
| 41569  | 5979  | Thread Unwinder Thread Guard Eyelet, for 41566 .....  |
| 41581  | —     | Bobbin Winder (swinging automatic, right hand) complete, Nos. 27308, 27923 and two wood screws ¾ in., No. 8, for Machine No. 84-1   |
| *43001 | —     | Arm with 120D, 690D and 43004 .....   |
| 43002  | 5950  | " Shaft (upright) (obsolete) .....  |
| 43003  | 5951  | " " " Bushing (obsolete) .....  |
| *43004 | —     | Arm Side Plate, for 43001 .....   |
| 43005  | 5950  | Barring Lever (lower) with 1972 .....   |
| 43006  | 5952  | " " " Pitman with two 808D .....  |
| 43007  | 5950  | Barring Lever (upper) .....   |
| *43008 | —     | " " " Pitman (lever end), for 43010 .....   |
| *43009 | —     | Barring Lever (upper) Pitman (block end), for 43010 .....   |

| No.                             | Plate | Name   |
|---------------------------------|-------|--|
| 43010                           | 5952  | Barring Lever (upper) Pitman (adjustable) complete, Nos. 43008, 43009 and two each 193F and 7071 |
| *43011                          | —     | Bed with three 43012 .....   |
| 43012                           | 5951  | " Support Stud, for 43011 .....  |
| 43013                           | 5956  | " Cover (back) .....   |
| 43014                           | 5951  | " " " Washer (lower) ...   |
| 43014                           | 5951  | " " (front) Washer (lower) ..  |
| 43015                           | 5956  | " " " .....  |
| 43016                           | 5953  | Clamp Arm .....  |
| 43017                           | 5954  | " " Bracket with 223F ....   |
| 43018                           | 5954  | " " Hinge Block .....  |
| 43019                           | 5955  | " Carrier .....  |
| 43020                           | 5955  | " " Bar .....  |
| 43021                           | 5953  | " " Connecting Link .....  |
| 43022                           | 5955  | " " Lever .....  |
| 43023                           | 5955  | " " Slide with four 889c ...   |
| 43024                           | 5955  | " " " Bar .....  |
| 43025                           | 5951  | " " " Cap .....  |
| 43026                           | 5955  | " " " Lever with 1872  |
| 43027                           | 5952  | " " Regulating Stud Slide Block .....  |
| 43027                           | 5952  | Clamp Carrier Slide Regulating Stud Slide Block .....  |
| 43027                           | 5963  | Needle Bar Frame Regulator Slide Block .....   |
| 43028                           | 5955  | Clamp Carrier Regulating Lever with 1973 .....   |
| 43029                           | 5953  | Clamp Check, for $\frac{1}{4}$ to $\frac{3}{4}$ in. button-holes .....                           |
| 43030                           | 5954  | Clamp Lifting Arm .....  |
| 43031                           | 5955  | " Plate .....  |
| 43032                           | 5954  | " " Cover .....  |
| 43033                           | 5952  | " " Guide .....  |
| 43034                           | 5952  | " " Packing .....  |
| 43035                           | 5954  | " " Support .....  |
| 43036                           | 5953  | " Post .....   |
| 43037                           | 5953  | " Spring .....   |
| 43038                           | 5953  | " " Sleeve .....   |
| 43039                           | 5953  | " " " Roller Pin .....   |
| 43040                           | 5956  | Face Plate .....   |
| 43041                           | 5957  | Feed Eccentric with two 453c (obsolete) .....  |
| Nos. 43042 to 43044, for 43147. |       |  |
| 43042                           | 5955  | Feed Hand Ratchet Lever .....  |
| 43043                           | —     | Feed Hand Ratchet Lever Pawl complete, Nos. 207F, 43148, 43149 and three 1049c .....             |

| No.   | Plate | Name  |
|-------|-------|---|
| 43044 | 5957  | Feed Hand Ratchet Lever Pawl Spring .....                                     |
| 43045 | 5957  | Feed Hand Ratchet Wheel with 457c   |
| 43046 | 5954  | " Regulating Lever (forked) (obsolete) .....                                  |
| 43047 | 5958  | Feed Wheel with 43059 and two 220b  |
| 43048 | 5957  | " " Bushing .....   |
| 43049 | 5959  | " " Driving Lever .....   |
| 43050 | 5957  | " " " " Block   |
| 43051 | 5957  | " " " " " Plate .....   |
| 43052 | 5959  | Feed Wheel Driving Lever Pitman   |
| 43053 | 5959  | " " " " Washer  |
| 43054 | 5959  | " " Stud .....  |
| 43055 | 5960  | " " Tripping Lever .....  |
| 43056 | 5960  | " " " " Arm ...   |
| 43057 | 5960  | " " " " Point ..  |
| 43058 | 5960  | " " " " Spring..  |
| 43059 | 5960  | " " " Point, for 43047, 49309, 49310 and 49327 .....                          |
| 43060 | —     | Knife, $\frac{1}{4}$ inch .....   |
| 43061 | —     | " $\frac{5}{16}$ inch .....   |
| 43062 | —     | " $\frac{3}{8}$ inch .....  |
| 43063 | —     | " $\frac{7}{16}$ inch .....   |
| 43064 | —     | " $\frac{1}{2}$ inch .....  |
| 43065 | —     | " $\frac{5}{8}$ inch .....  |
| 43066 | —     | " $\frac{3}{4}$ inch .....  |
| 43067 | —     | " $\frac{7}{8}$ inch .....  |
| 43068 | 5960  | " $\frac{1}{2}$ inch .....  |
| 43069 | —     | " $\frac{1}{2}$ inch .....  |
| 43070 | —     | " $\frac{3}{4}$ inch .....  |
| 43071 | —     | " $\frac{1}{2}$ inch .....  |
| 43072 | —     | " 1 inch .....  |
| 43073 | —     | " $1\frac{1}{8}$ inch .....   |
| 43074 | —     | " $1\frac{1}{4}$ inch .....   |
| 43075 | —     | " $1\frac{3}{8}$ inch .....   |
| 43076 | —     | " $1\frac{1}{2}$ inch .....   |
| 43077 | 5950  | " Bar .....   |
| 43078 | 5960  | " " Bracket with two 1454E  |
| 43079 | 5950  | " Driving Lever .....   |
| 43080 | 5950  | " " " Cam with 448c (obsolete) .....  |
| 43081 | 5961  | Knife Driving Lever Latch .....   |
| 43082 | 5961  | " " " " Arm with 1974 and 43083 .....   |
| 43083 | 5961  | Knife Driving Lever Latch Arm Roller and Screw Stud Stop Pin, for 43082 ..... |



## Numerical List of Parts

| No.                             | Plate | Name   |
|---------------------------------|-------|--|
| 43084                           | 5961  | Knife Driving Lever Latch Spring                                   |
| 43085                           | 5961  | " " " Spring   |
| 43086                           | 5962  | " " " Stop   |
| 43087                           | 5960  | " Holder   |
| 43088                           | 5962  | " Tripping Lever with 200c and 1340c                               |
| 43089                           | 5962  | Knife Tripping Lever Latch   |
| 43090                           | 5962  | " " " " Spring   |
| 43091                           | 5962  | " " " Shaft  |
| 43092                           | 5962  | " " " " Crank with 457c  |
| 43093                           | 5962  | Knife Tripping Lever Shaft Spring                                  |
| 43094                           | 5962  | " " " Stop   |
| 43095                           | 5950  | Needle Bar with 904F   |
| 43096                           | 5956  | " " Frame with two 196F  |
| 43097                           | 5963  | " " " Bell Crank with 1975, 2269 and 7577                          |
| 43098                           | 5963  | Needle Bar Frame Bell Crank Slide Block                            |
| 43099                           | 5956  | Needle Bar Frame Cam and Bevel Gear Cover                          |
| 43100                           | 5963  | Needle Bar Frame Pitman with 808D                                  |
| 43101                           | 5963  | " " " " Ball Stud (eccentric)                                      |
| 43102                           | 5963  | Needle Bar Frame Regulator with 2269 and 43103                     |
| 43103                           | 5963  | Needle Bar Frame Regulator Shaft, for 43102                        |
| 43104                           | 5964  | Needle Plate   |
| 43105                           | 5966  | Pulley (tight), 2½ in. diam., with 2269, for 43106                 |
| 43106                           | —     | Pulleys complete, Nos. 1202D, 1206C, 17848, 17941, 43105 and 43112 |
| 43107                           | 5965  | Shuttle Driver with 462c   |
| 43108                           | 5950  | " Pitman with 44361, 49308 and four 187E                           |
| 43109                           | 5958  | Shuttle Race Bracket   |
| 43110                           | 5966  | Starting Lever, for 43116  |
| 43111                           | 5966  | " " Rod  |
| 43112                           | 5967  | Stop Cam, for 43106  |
| Nos. 43113 to 43115, for 43116. |       |  |
| 43113                           | 5967  | Stop Cam Interlocking Rod  |
| 43114                           | 5966  | " " " " Case   |
| 43115                           | 5966  | " " " " Bracket  |

## Numerical List of Parts

| No.   | Plate | Name  |
|-------|-------|---|
| 43116 | —     | Stop Cam Interlocking Rod Case Bracket complete, Nos. 1204E, 1254c, 1262c, 1416D, 1508c, 1662c, 17859, 17861, 17863, 17864, 39223, 43110, 43113 to 43115, 43117, 43118, 43150 and two each 898D and 1255D, for Machine No. 84-1 |
| 43117 | 5967  | Stop Cam Interlocking Rod Case Spring, for 43116  |
| 43118 | 5967  | Stop Cam Interlocking Rod Case Stop Stud Spring, for 43116  |
| 43119 | 5966  | Stop Lever with 43120 and two 402D  |
| 43120 | 5968  | " " Brake (leather), for 43119  |
| 43121 | 5968  | " " Spring, for Machine No. 84-1  |
| 43122 | 5968  | Stop Rod (hand)   |
| 43123 | 5968  | " " Head with 465c  |
| 43124 | 5969  | Tension (front of arm) Releaser with 200F   |
| 43125 | 5969  | Tension (front of arm) Releaser Shaft   |
| 43126 | 5969  | Tension (front of arm) Releaser Shaft Arm with 200F and 49307   |
| 43127 | 5969  | Tension (front of arm) Releaser Shaft Arm Connection  |
| 43128 | 5969  | Tension (front of arm) Releaser Shaft Bracket   |
| 43129 | 5970  | Tension (top of arm) Bracket with 620c  |
| 43131 | 5970  | Tension (top of arm) Releaser Lever   |
| 43132 | 5970  | Tension (top of arm) Releaser Lever Connection  |
| 43133 | 5970  | Tension (top of arm) Thread Eyelet  |
| 43134 | 5970  | Thread Take-up Spring   |
| 43135 | 5977  | Bed Frame with two 14097, four each 11118, 14010 and five wood screws 1¼ in., No.12, for Machine No. 84-2   |
| 43136 | —     | Clamp Treadle Chain, 35½ in. long, with 39575 and 39576   |
| 43137 | —     | Starting Treadle Chain, 34 in. long, with 39575 and 39576   |
| 43138 | 5978  | Starting Treadle Extension, for 43139   |
| 43139 | 5978  | Starting Treadle complete, Nos. 17881 to 17883, 17943, 43138 and two wood screws 1 in., No. 10, for Machine No. 84-2  |

## Numerical List of Parts

Nos. 43140 to 43143, for 43144.

| No.    | Plate | Name  |
|--------|-------|---|
| 43140  | —     | Chain, length 6½ inches .....   |
| 43141  | 5974  | Rock Shaft .....  |
| 43142  | 5974  | " " Hanger (back) with two wood screws 1 in., No. 10 .....  |
| 43143  | 5974  | Rock Shaft Lifting Bracket Hook   |
| 43144  | 5974  | " " (knee lifter) complete, Nos. 2768, 6337, 15200, 43140 to 43143 and two 2770, for Machine No. 84-1 ..... |
| 43145  | 5952  | Clamp Arm Hinge Block Pin.....  |
| 43146  | 5966  | Starting Lever Handle .....   |
| 43147  | —     | Feed Hand Ratchet Lever complete, Nos. 90D, 240D and 43042 to 43044   |
| 43148  | 5955  | Feed Hand Ratchet Lever Pawl Body, for 43043 .....  |
| 43149  | 5957  | Feed Hand Ratchet Lever Pawl Point, for 43043 .....   |
| 43150  | 5956  | Belt Shifter, for 43116 .....   |
| *44361 | —     | Shuttle Pitman Cap (left), for 43108  |

Nos. 46506 to 46509, for 46520.

|       |      |  |
|-------|------|--|
| 46506 | 3826 | Pitman Ball Bearing Adjusting Screw Ring .....   |
| 46507 | 3826 | Pitman Ball Bearing Adjusting Screw Ring Locking Washer (brass) .....  |
| 46508 | 3826 | Pitman Ball Bearing Ring .....   |
| 46509 | 3826 | " " Case .....   |
| 46519 | 5976 | Band Wheel Crank, for 46520 .....  |
| 46520 | —    | Band Wheel Crank and Pitman (ball bearing) complete, Nos. 1520E, 1670E, 25361, 25371, 46506 to 46509, 46519, 46523 and eleven 25362, for 25267 ..... |
| 46522 | 5976 | Leg, for 25267 .....   |
| 46523 | 5976 | Pitman Rod with 25360, for 46520..   |
| 46524 | 5976 | Treadle, for 25267 .....   |
| 46532 | 5976 | Band Wheel, 18 in. diam., with 972c, for 25267 .....   |
| 46533 | 5976 | Brace with 296c, two 297c and three 1507E, for 25267 .....   |
| 49301 | 5965 | Shuttle Body, for 49302 .....  |
| 49302 | 5965 | Shuttle, 1½ in. diam., Nos. 23500, 23502 and 49301 .....   |
| 49303 | 5953 | Clamp Check, for ¼ to 1¼ in. buttonholes .....   |
| 49304 | 5950 | Arm Shaft (horizontal) .....   |

## Numerical List of Parts

| No.     | Plate | Name   |
|---------|-------|--|
| 49305   | 5970  | Tension (top of arm) Releaser with 217c, 7071 and 49306 .....  |
| 49306   | 5970  | Tension (top of arm) Releaser Extension (adjustable), for 49305                                      |
| 49307   | 5969  | Tension (front of arm) Releaser Shaft Arm Stud, for 43126 .....                                      |
| *49308  | —     | Shuttle Pitman Cap (right), for 43108 .....  |
| 49309   | 5958  | Feed Wheel with 43059 and two 220D, for buttonholes with long barred ends .....                      |
| 49310   | —     | Feed Wheel with 43059 and two 220D, makes bar at one end only .....                                  |
| 49311   | 5981  | Shuttle Pitman Crank Wheel with 435c and 743c .....  |
| 49312   | 5981  | Knife Driving Lever Cam with 448c  |
| 49313   | 5981  | Feed Regulating Lever (forked) ...   |
| 49314   | 5982  | Arm Shaft (upright) Bushing .....  |
| 49315   | 5982  | Feed Eccentric with two 453c .....   |
| 49316   | 5981  | Arm Shaft (upright) .....  |
| 49317   | 5982  | Stop Cam Interlocking Rod Case Stop Stud Spring, for Machine No. 84-2 .....                          |
| 49318   | 5982  | Stop Lever Spring, for Machine No. 84-2 .....  |
| 49319   | —     | Knife, ¾ in., for elongated bar buttonholes .....  |
| 49320   | 5982  | Knife, ⅞ in., for elongated bar buttonholes .....  |
| 49321   | —     | Knife, ⅞ in., for elongated bar buttonholes .....  |
| 49322   | —     | Knife, ⅞ in., for elongated bar buttonholes .....  |
| 49323   | —     | Knife, 1 in., for elongated bar buttonholes .....  |
| 49324   | —     | Knife, 1 1/16 in., for elongated bar buttonholes .....   |
| 49325   | —     | Knife, 1 1/8 in., for elongated bar buttonholes .....  |
| 49327   | —     | Feed Wheel with 43059 and two 220D. For making one half the regular number of barring stitches ..... |
| 50137D  | 5952  | Clamp Plate Screw .....  |
| *120088 | —     | Screw Driver Blade, for 26026 .....  |
| *120090 | —     | " " Handle, for 26026 .....  |
| *120092 | —     | " " Blade, for 26485 .....   |
| *120094 | —     | " " Handle, for 26485 .....  |

**ILLUSTRATIONS OF PARTS  
FOR  
MACHINES OF CLASS 84-**

PLATE 2837—ONE-FOURTH SIZE

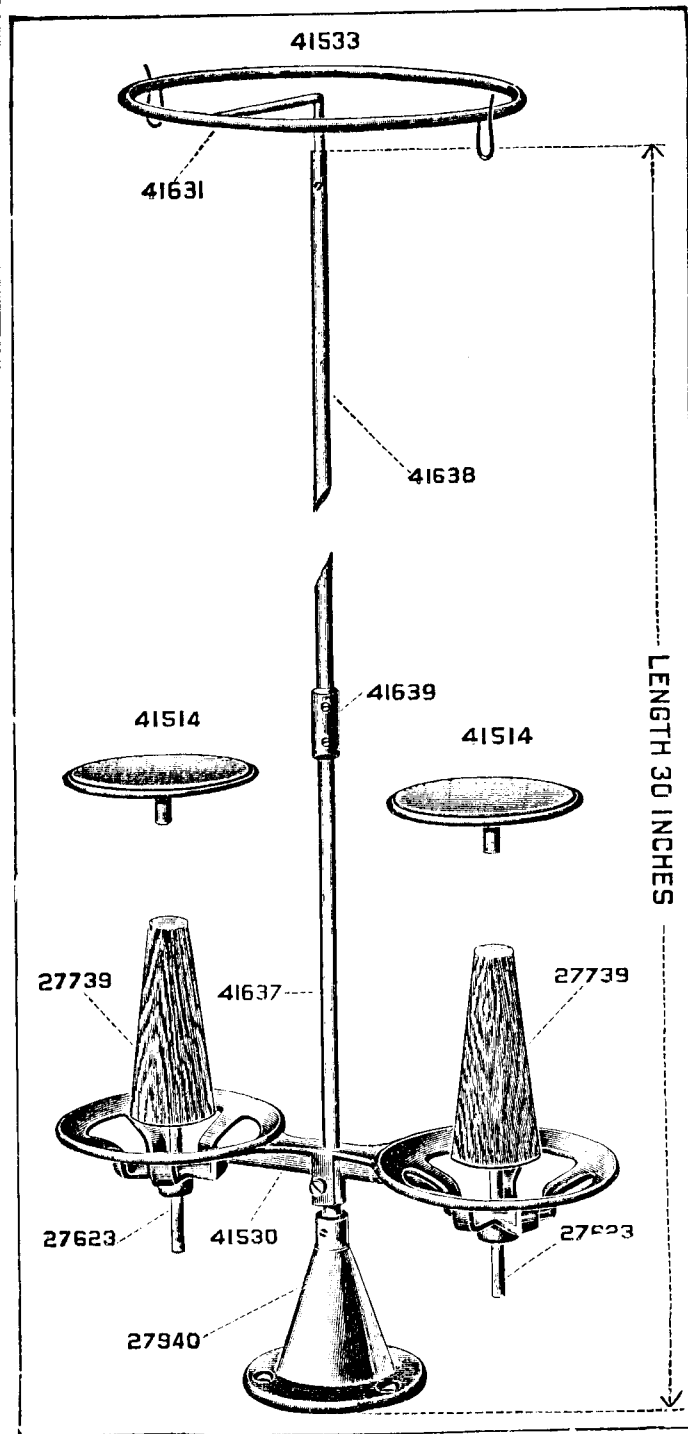


PLATE 3826—FULL SIZE

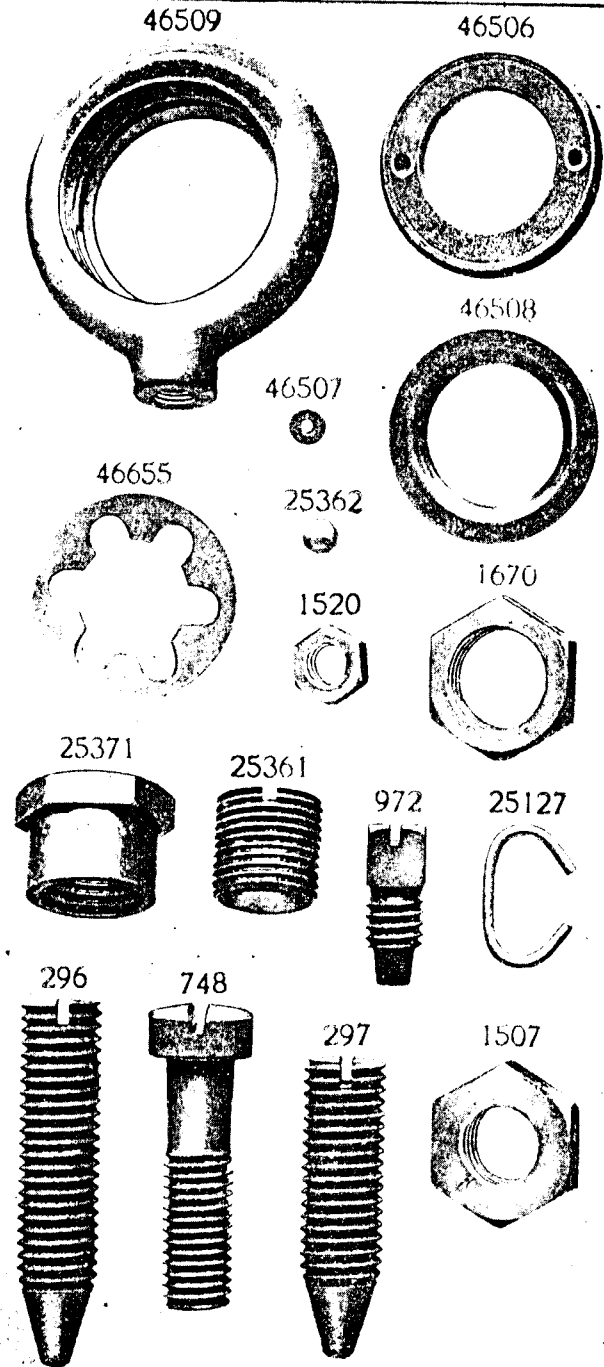


PLATE 4018—FULL SIZE

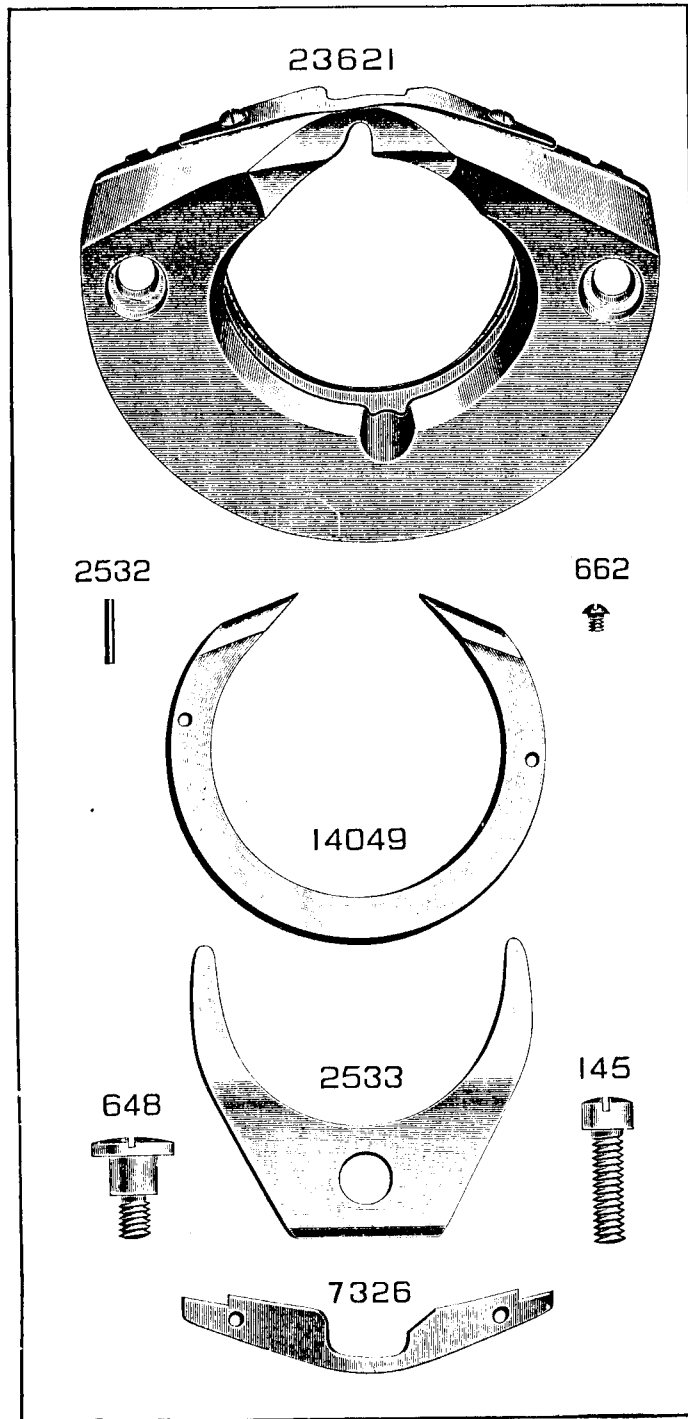


PLATE 5950—ONE-HALF SIZE

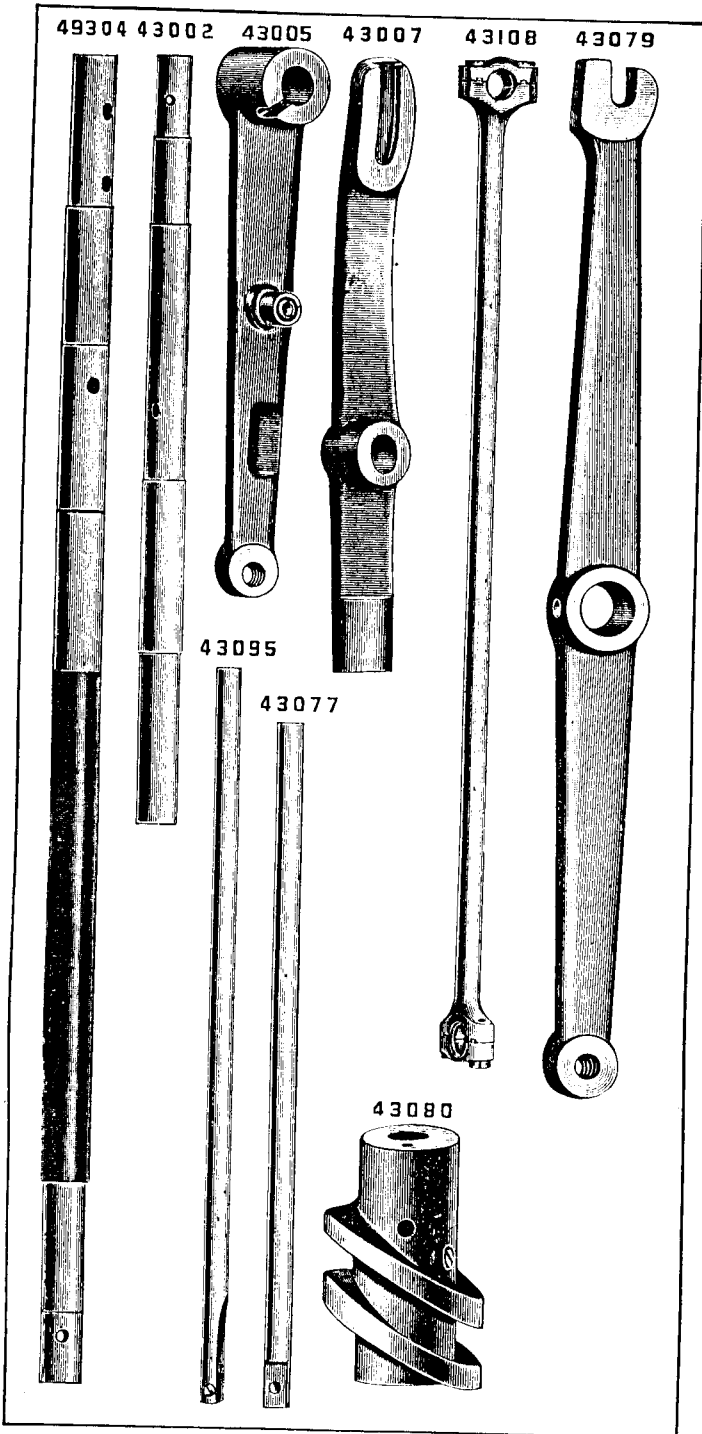


PLATE 5951—FULL SIZE

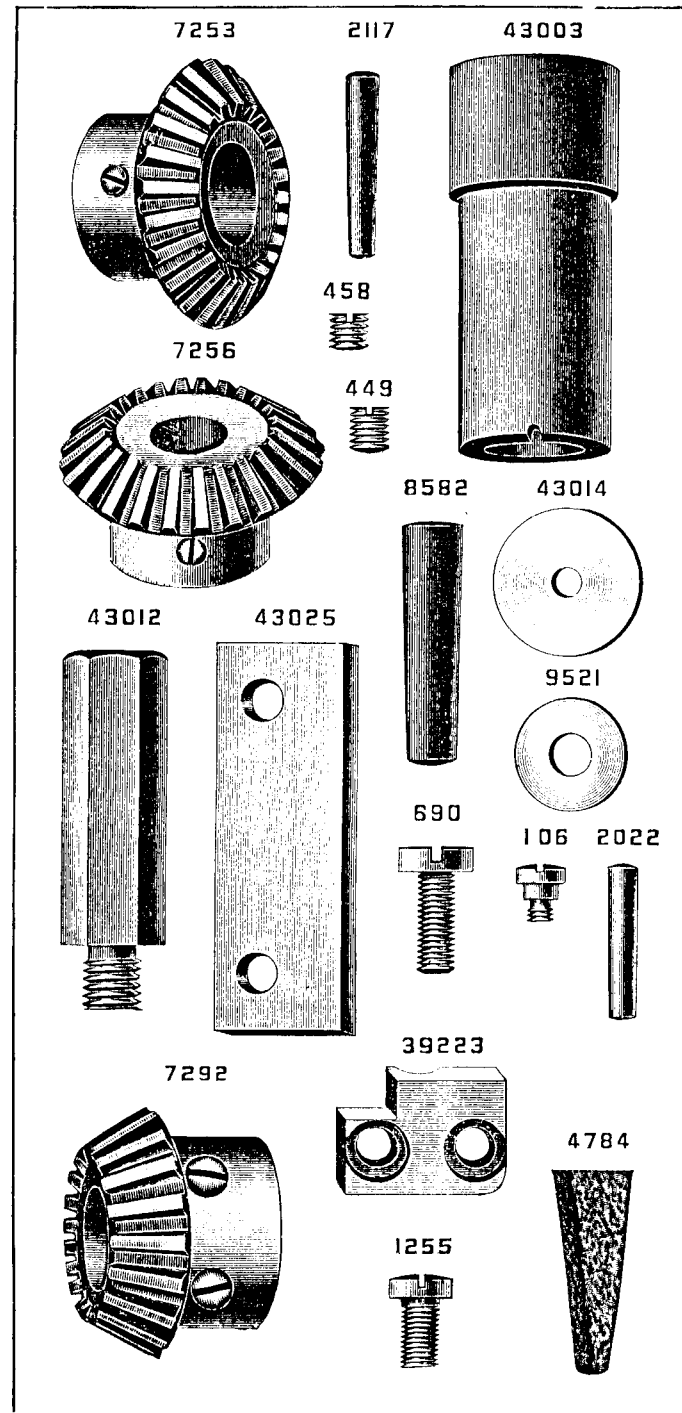


PLATE 5952—FULL SIZE

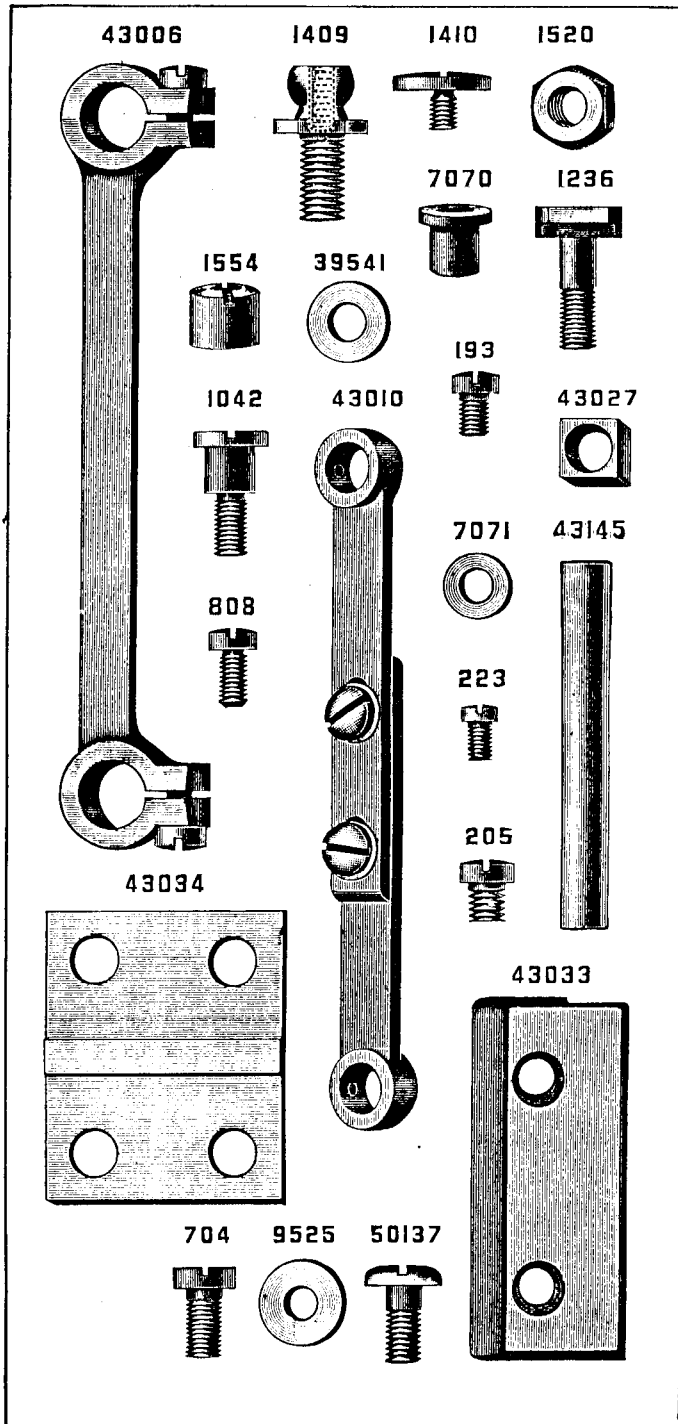


PLATE 5953—FULL SIZE

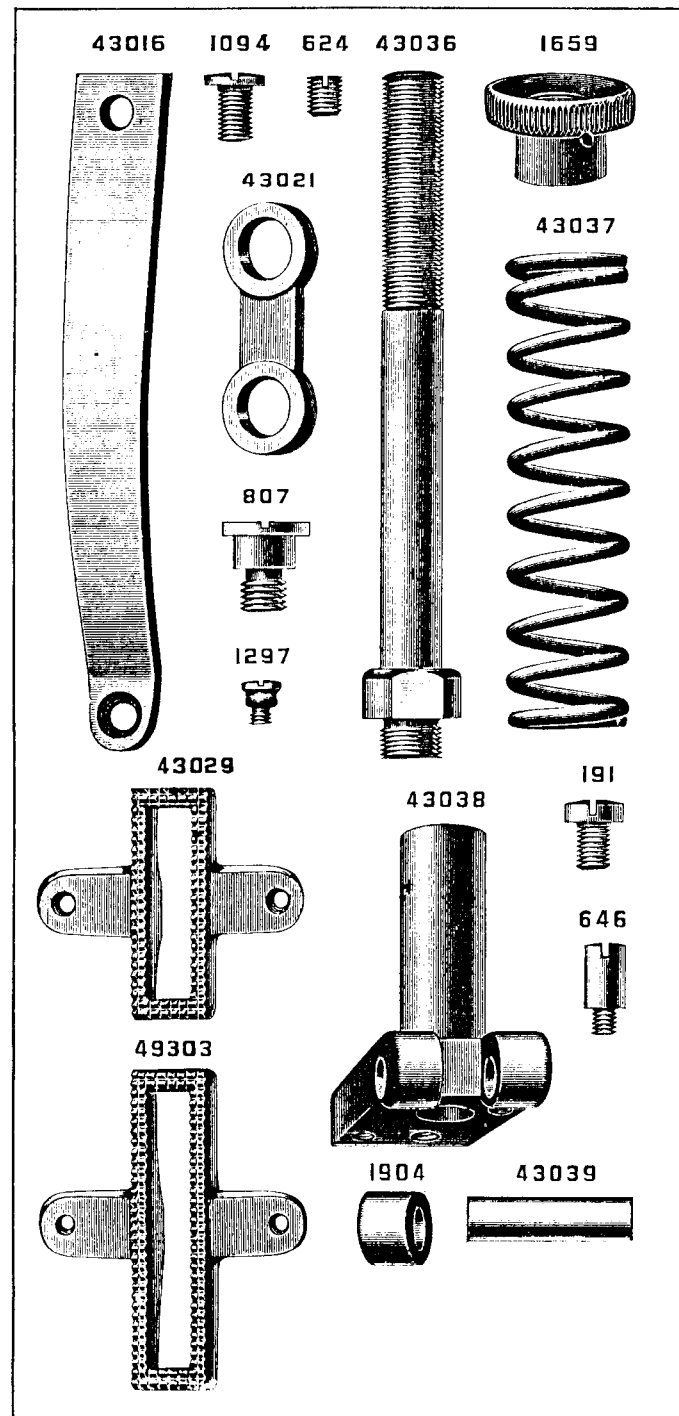


PLATE 5954—ONE-HALF SIZE

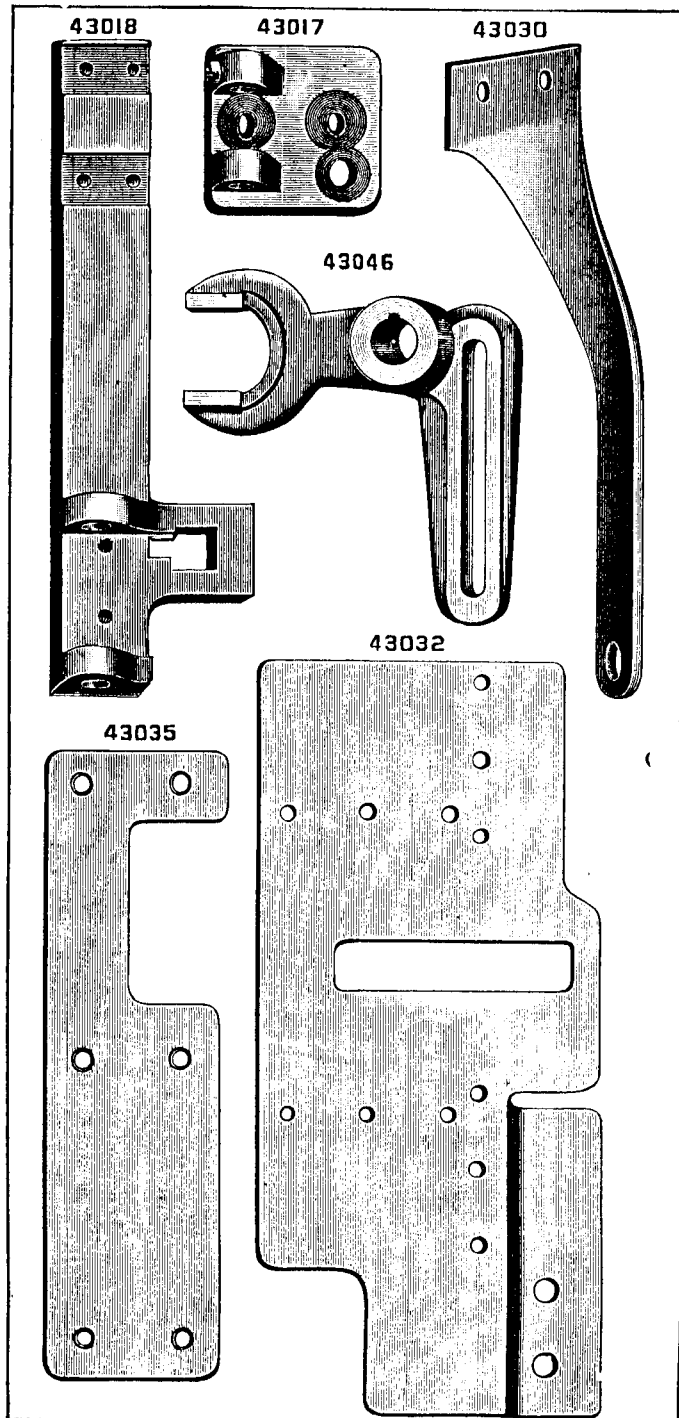


PLATE 5955—ONE-HALF SIZE

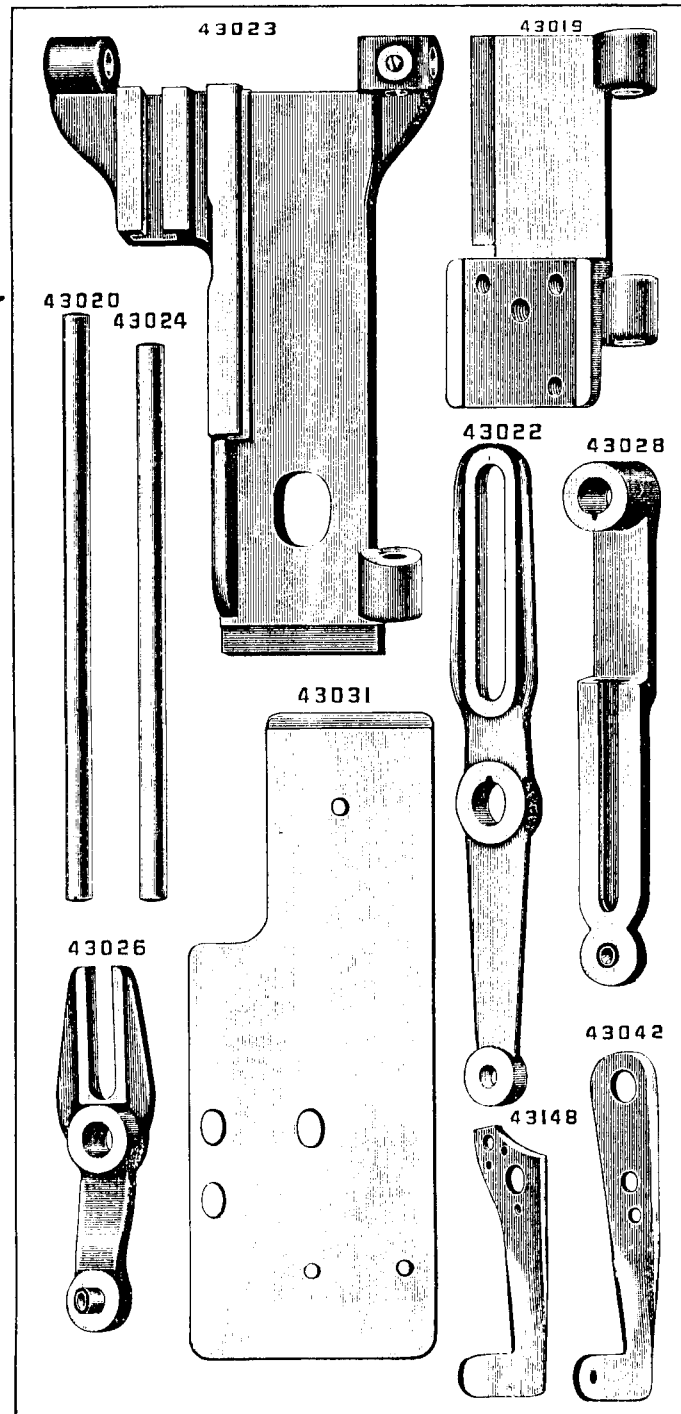




PLATE 5956—ONE-HALF SIZE

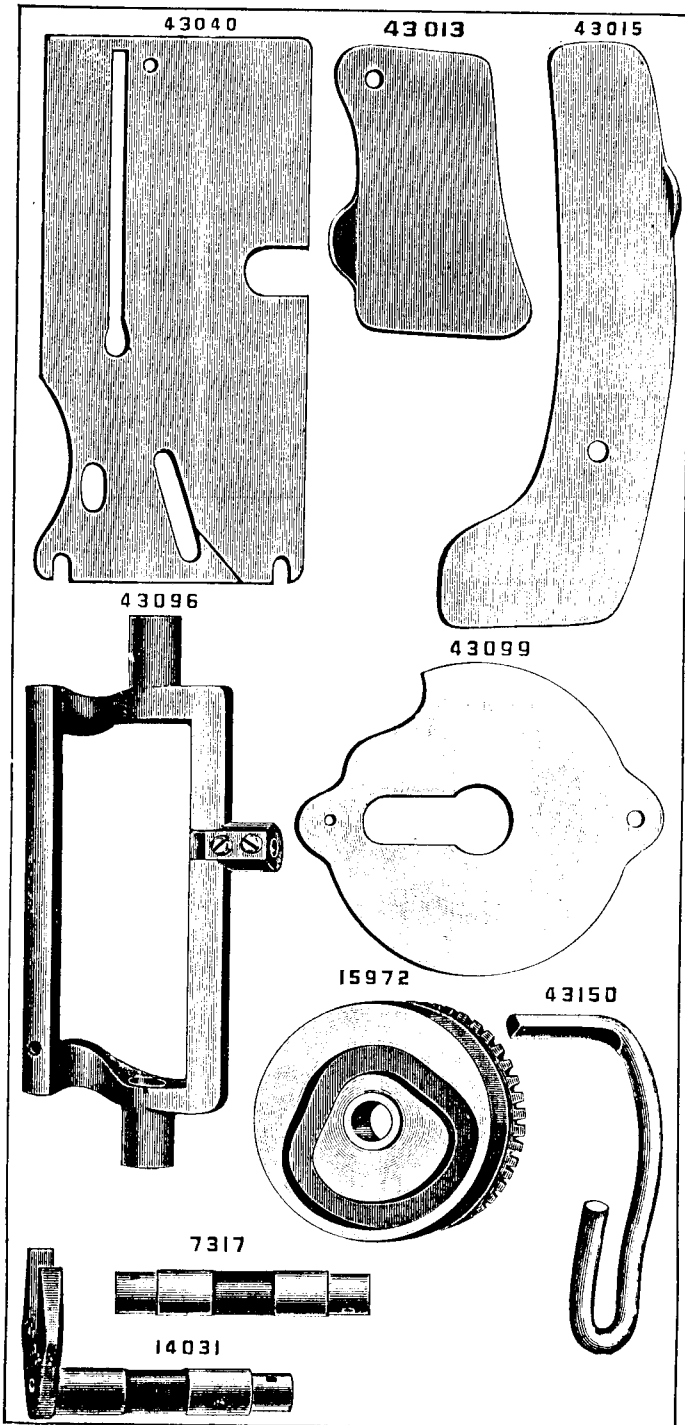


PLATE 5957—FULL SIZE

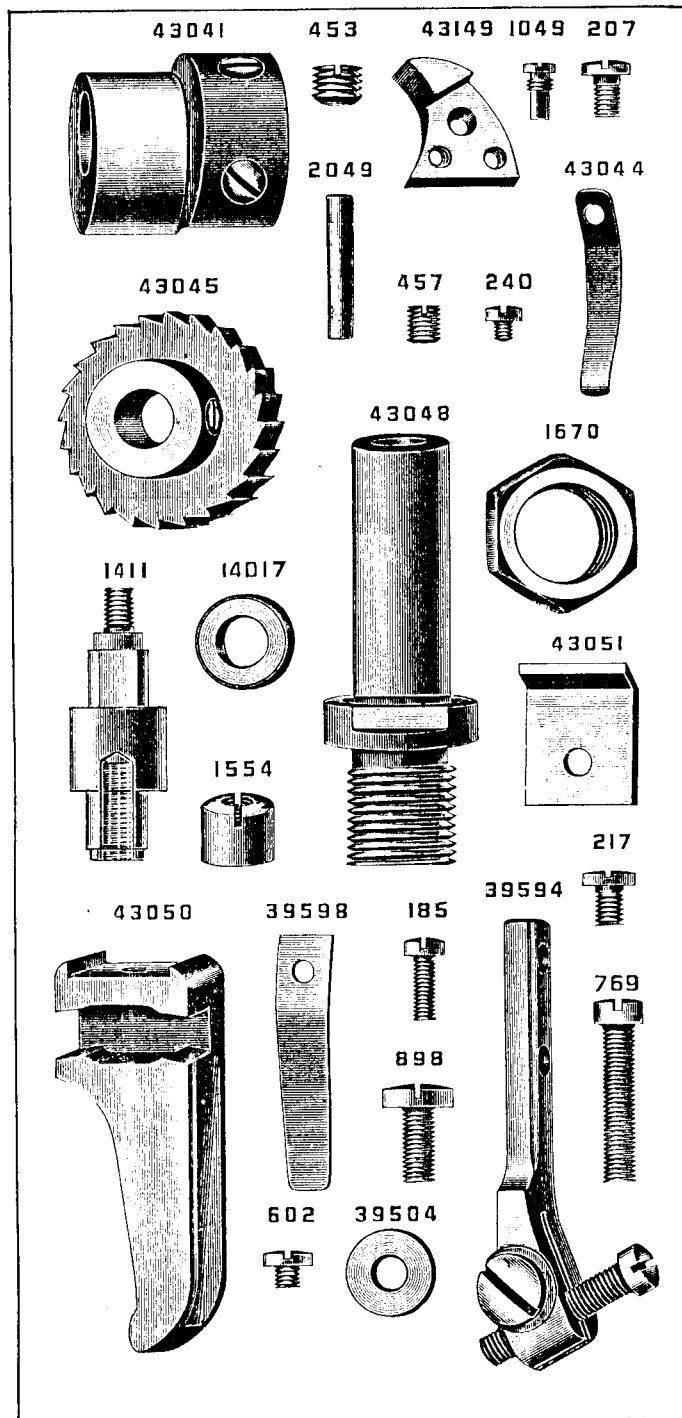


PLATE 5958—ONE-HALF SIZE

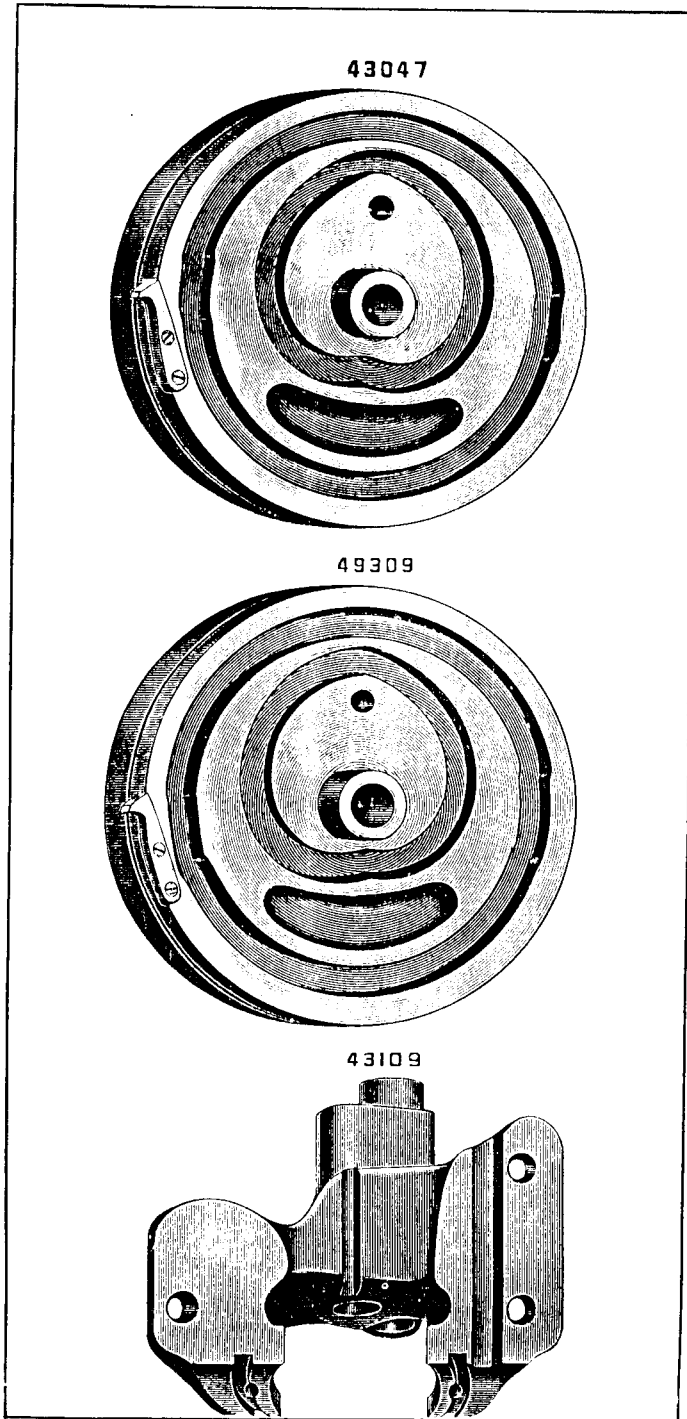


PLATE 5959—FULL SIZE

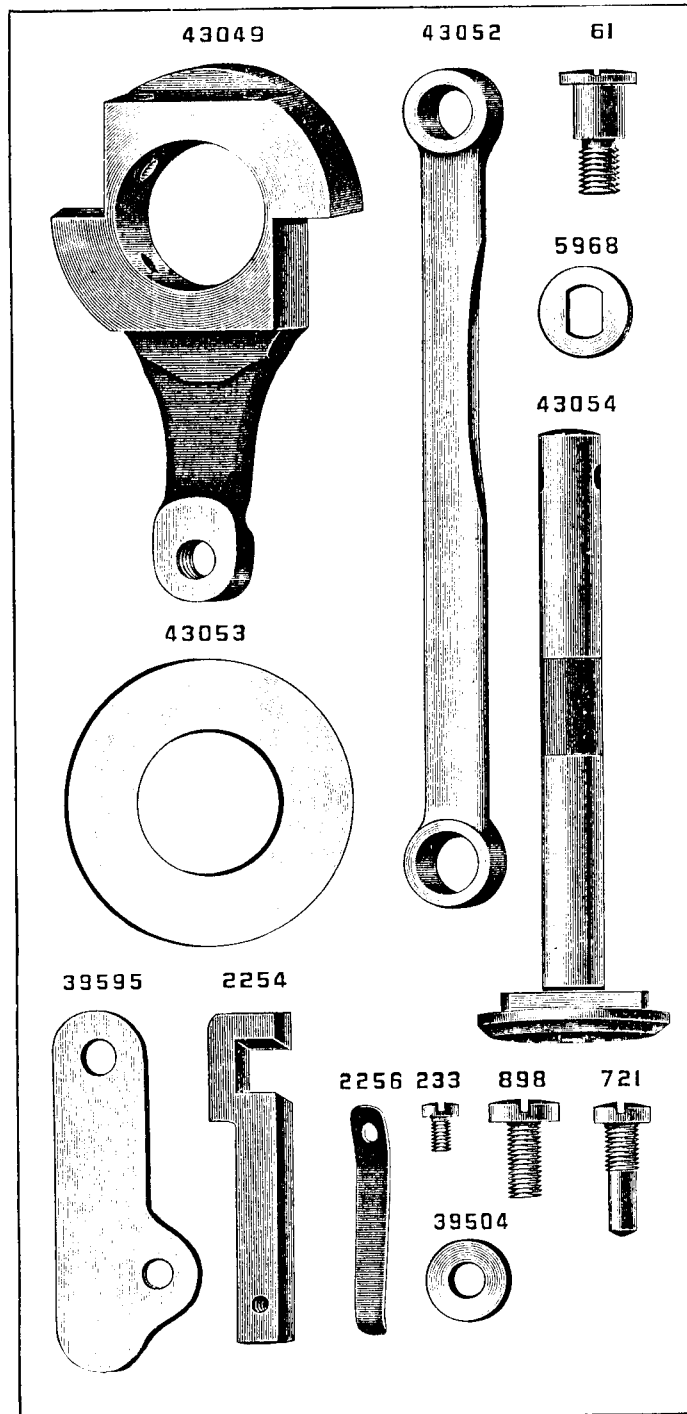


PLATE 5960—FULL SIZE

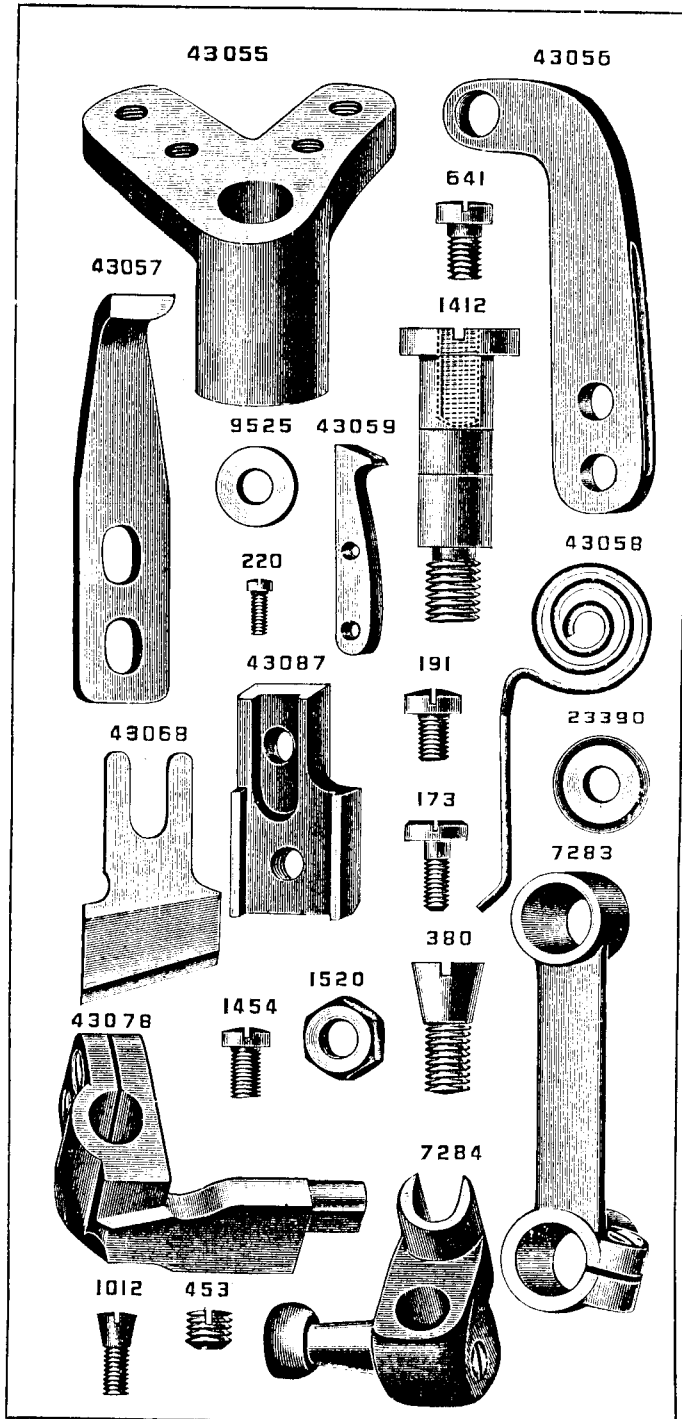


PLATE 5961—FULL SIZE.

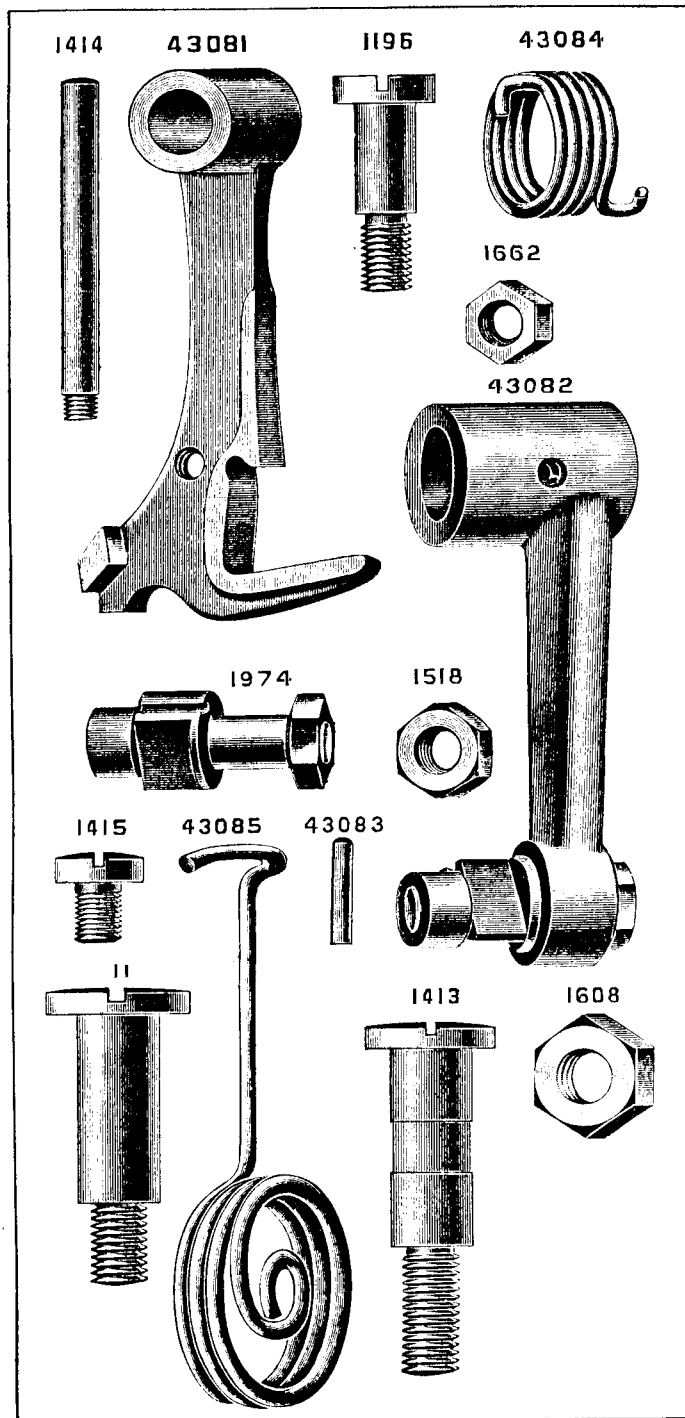


PLATE 5962—FULL SIZE

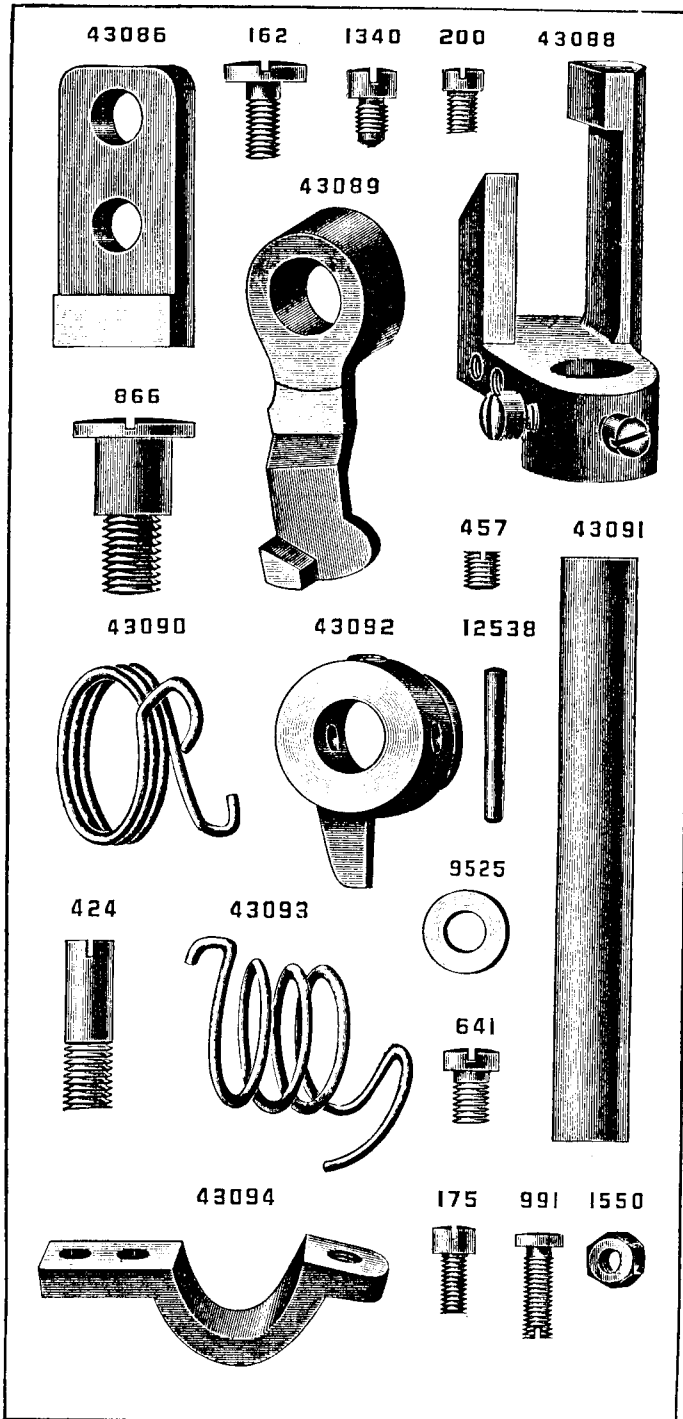


PLATE 5963—FULL SIZE

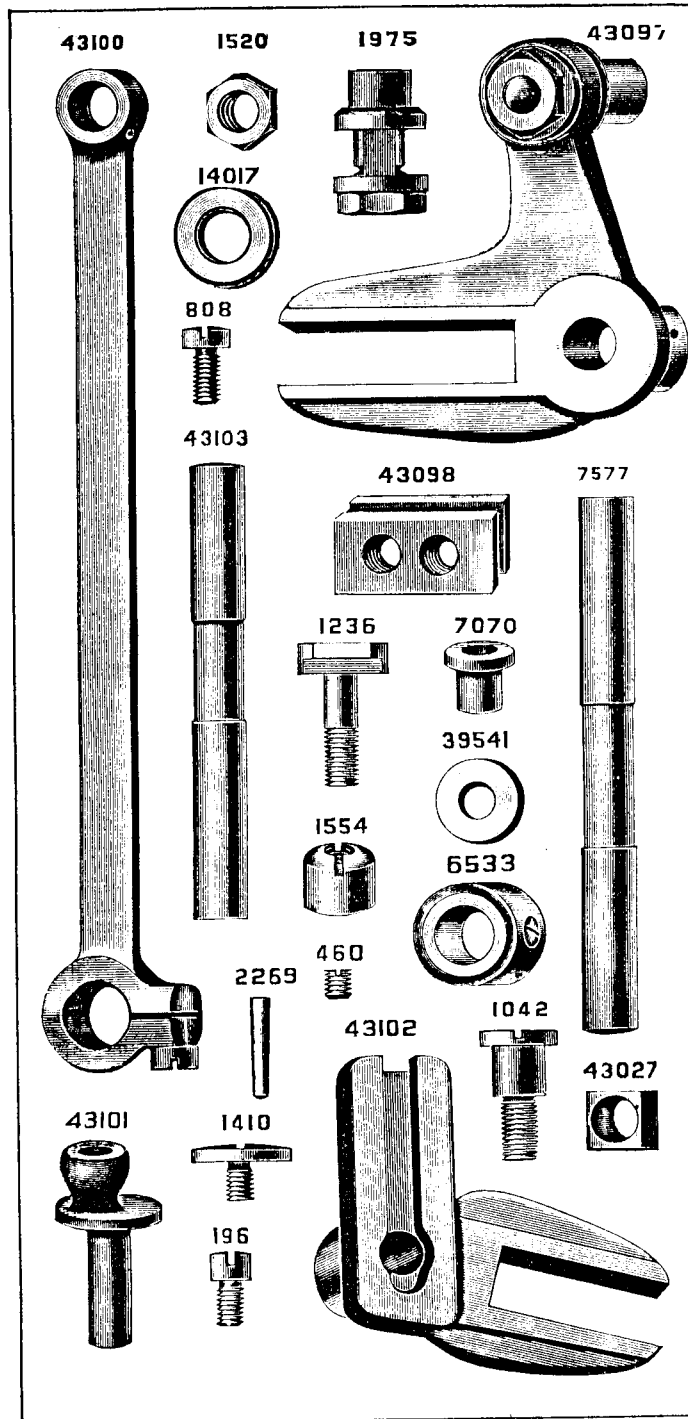


PLATE 5964—FULL SIZE

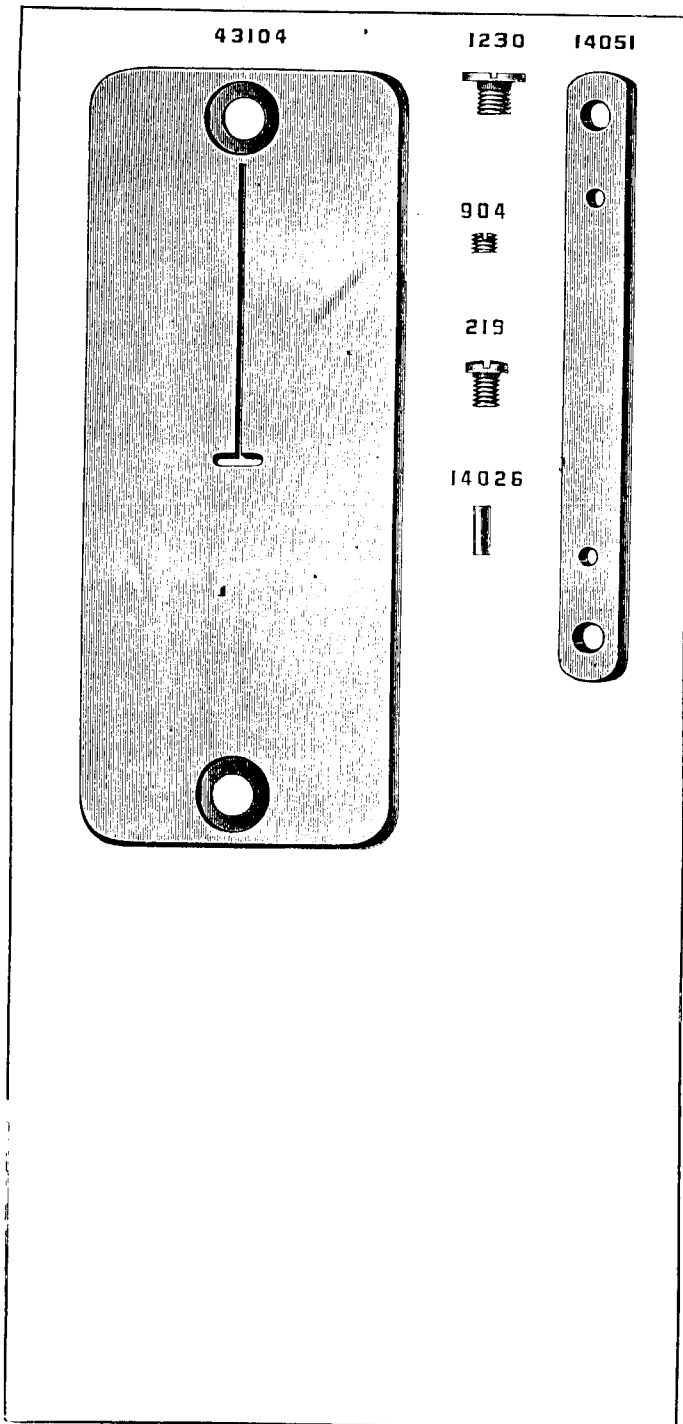


PLATE 5965—FULL SIZE

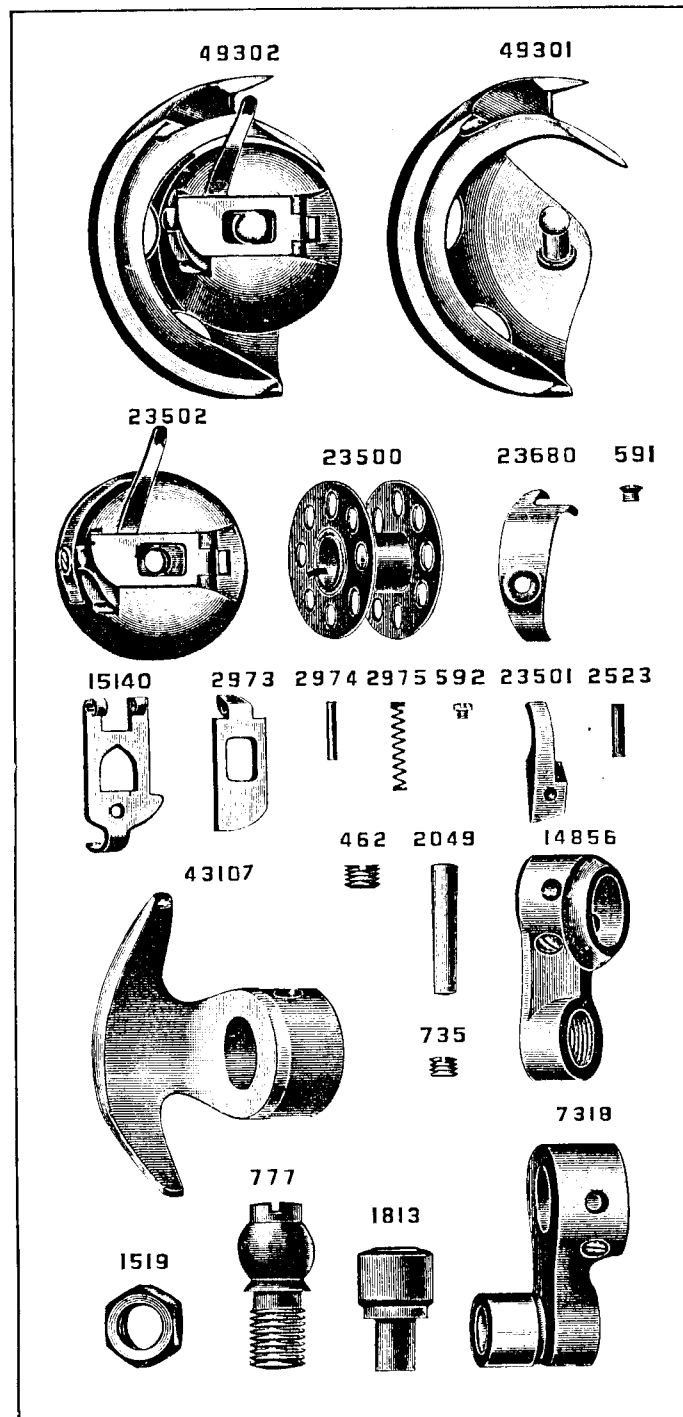


PLATE 5966—ONE-HALF SIZE

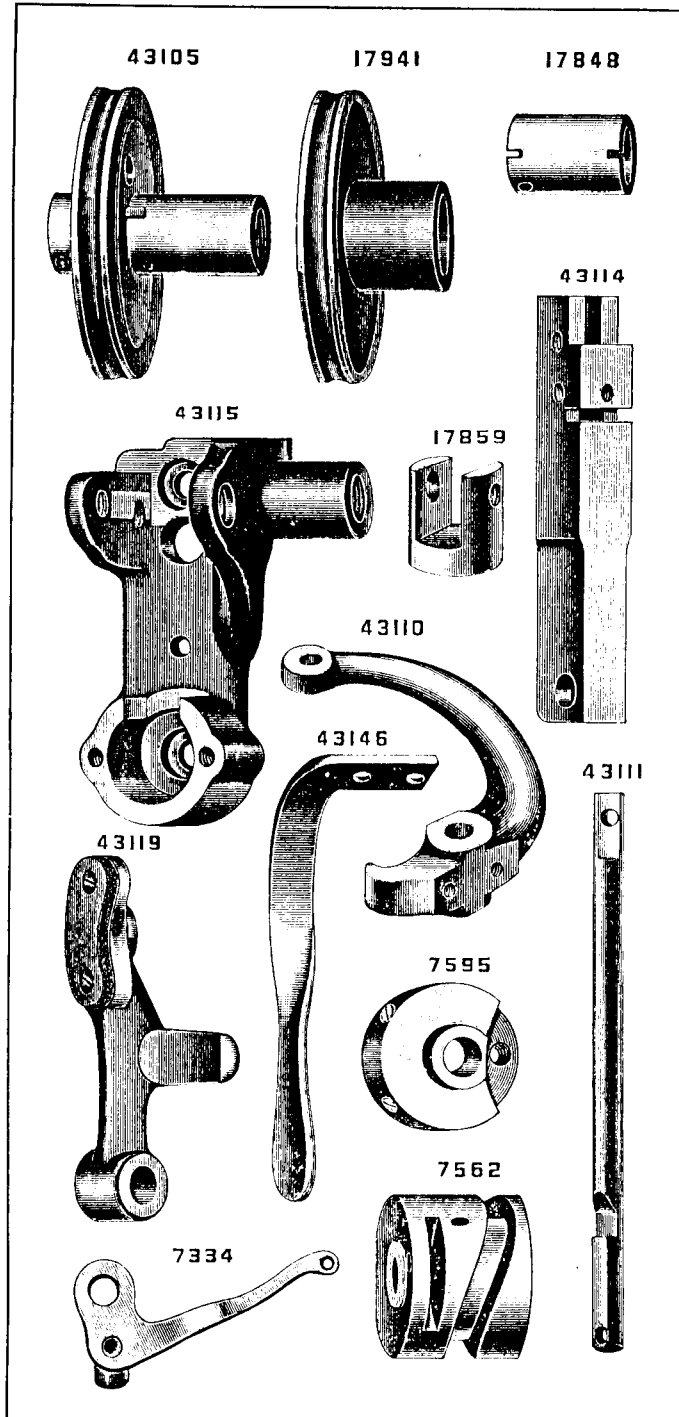


PLATE 5967—FULL SIZE

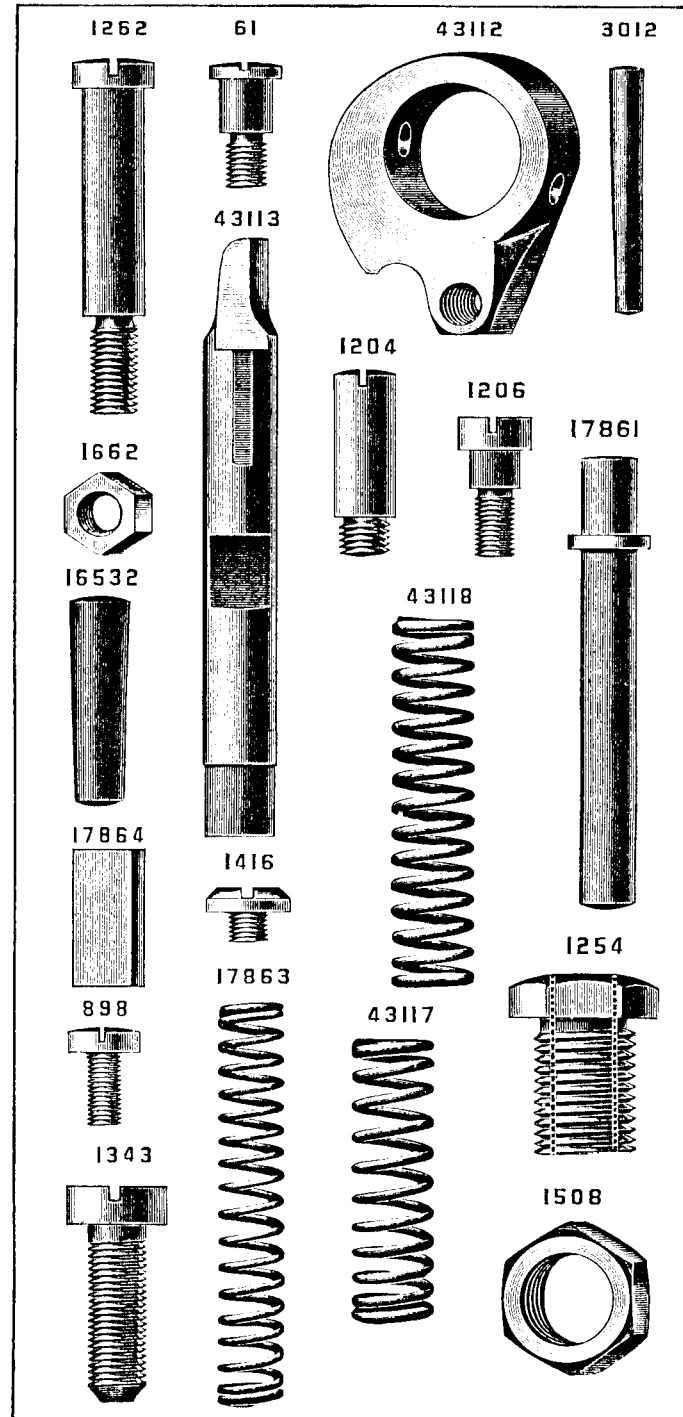


PLATE 5968—FULL SIZE

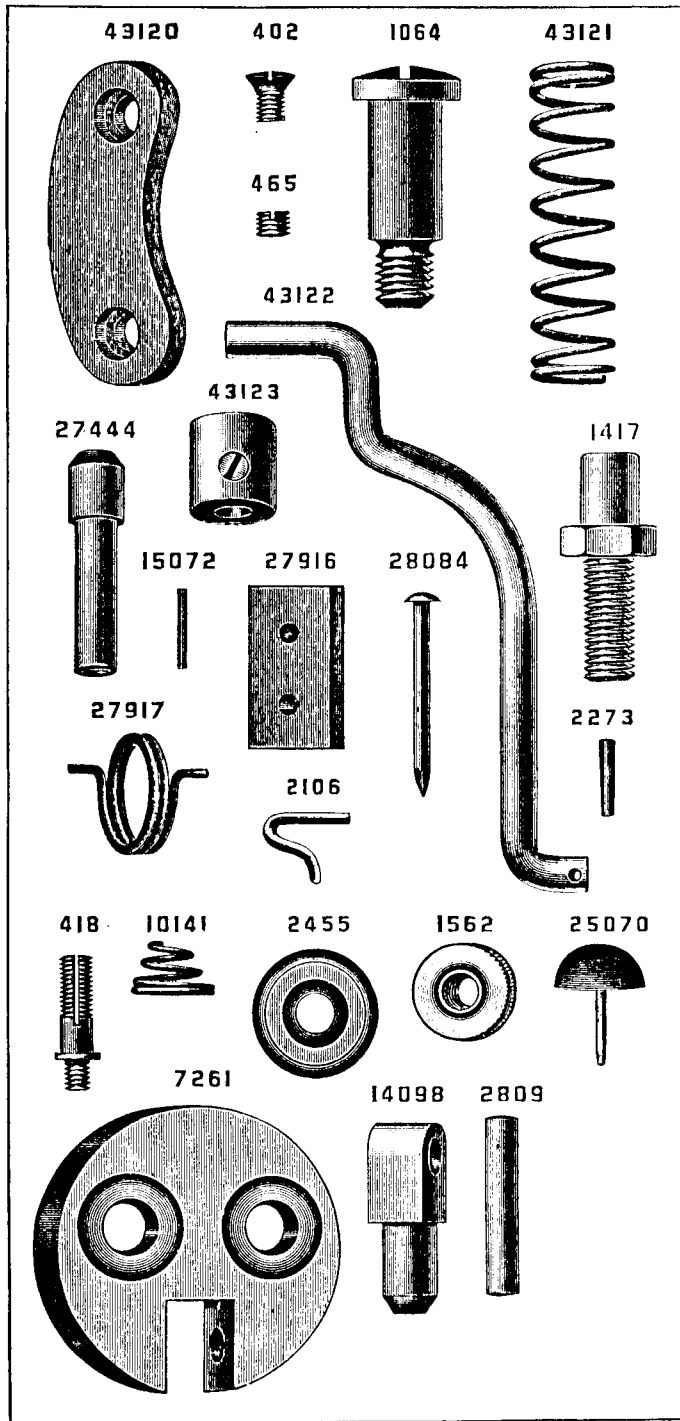


PLATE 5969—FULL SIZE

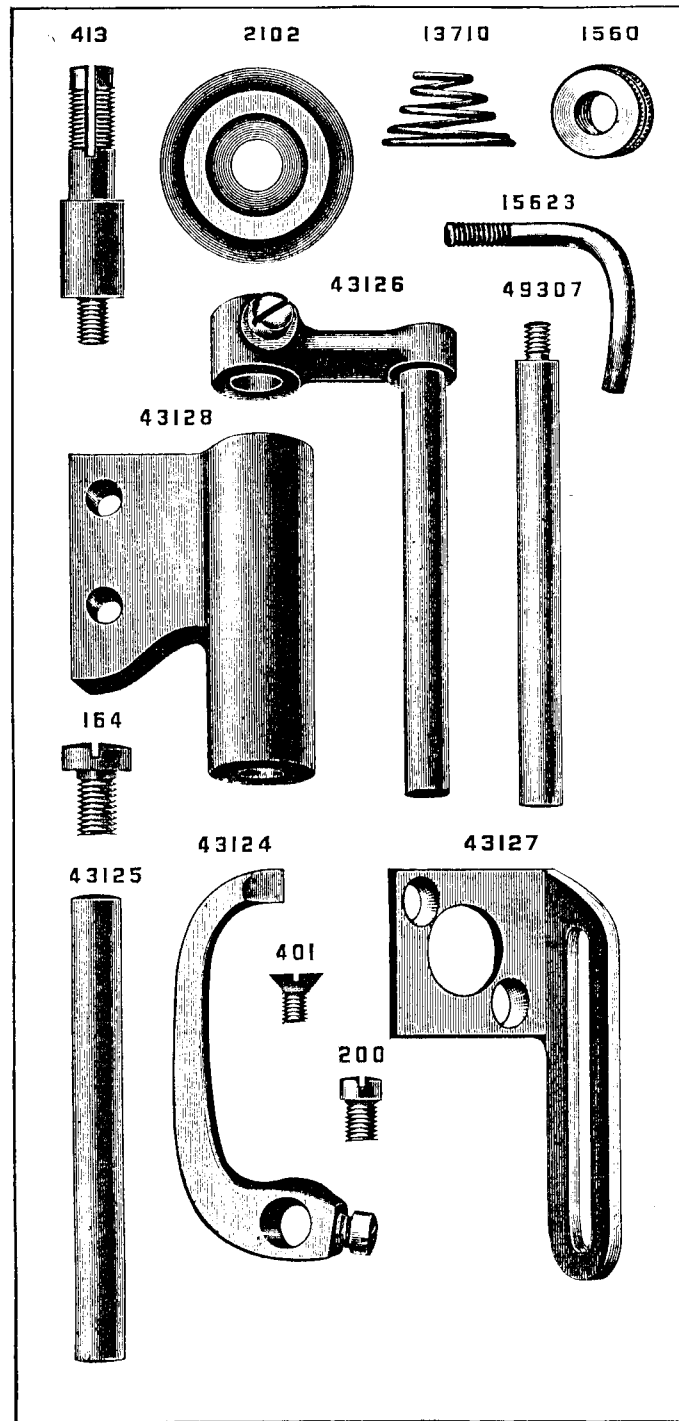


PLATE 5970—FULL SIZE

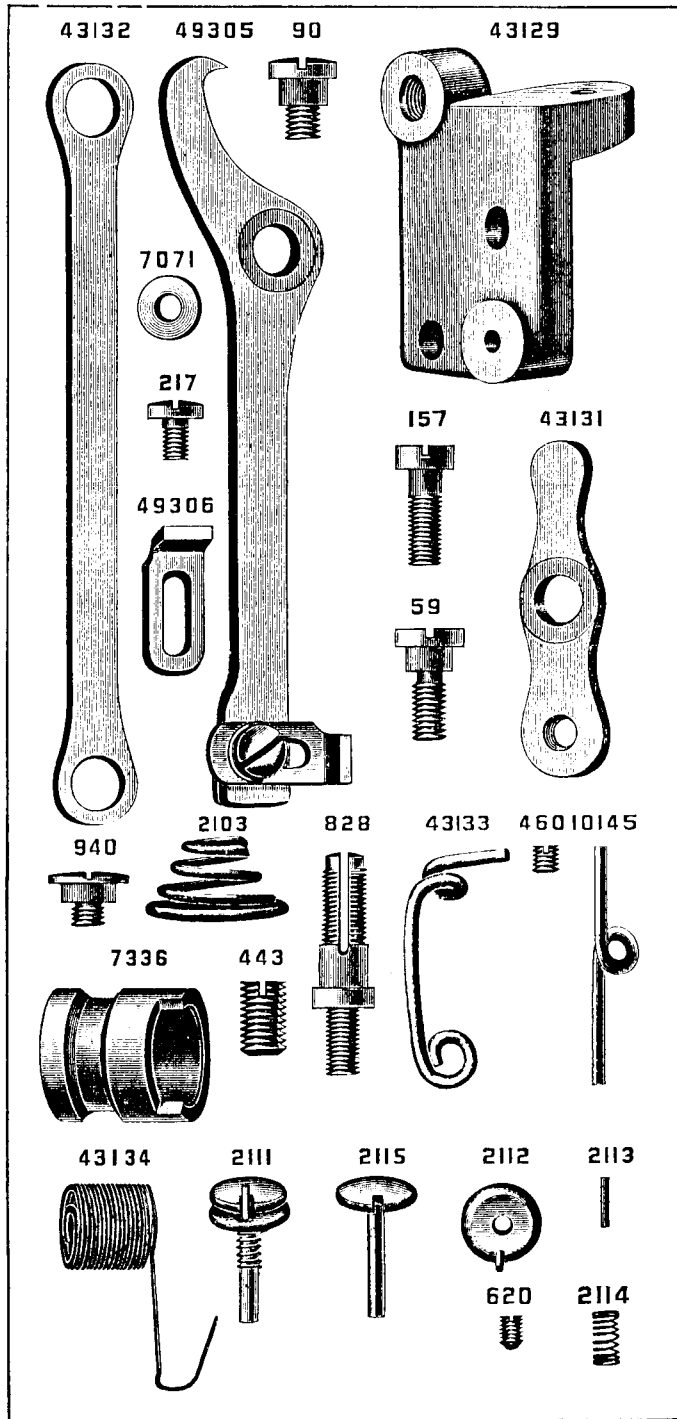


PLATE 5971—FULL SIZE

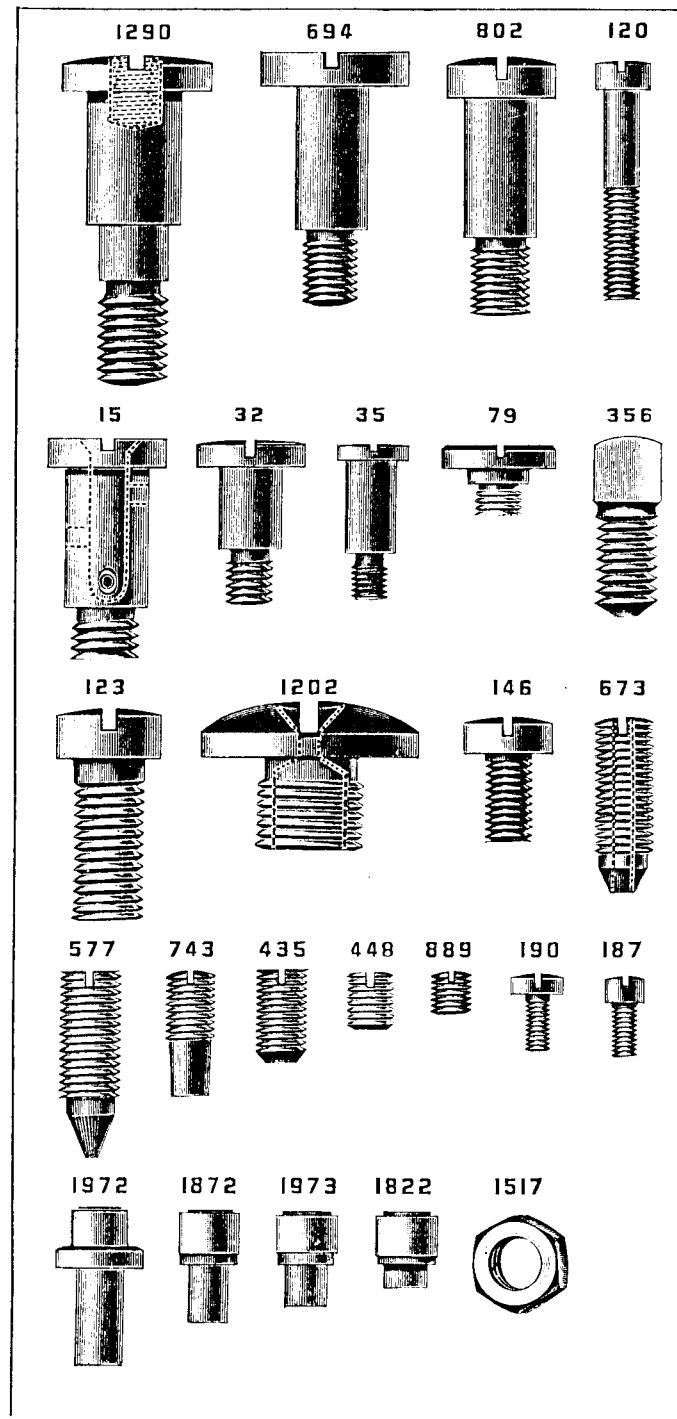




PLATE 5972—ONE-HALF SIZE

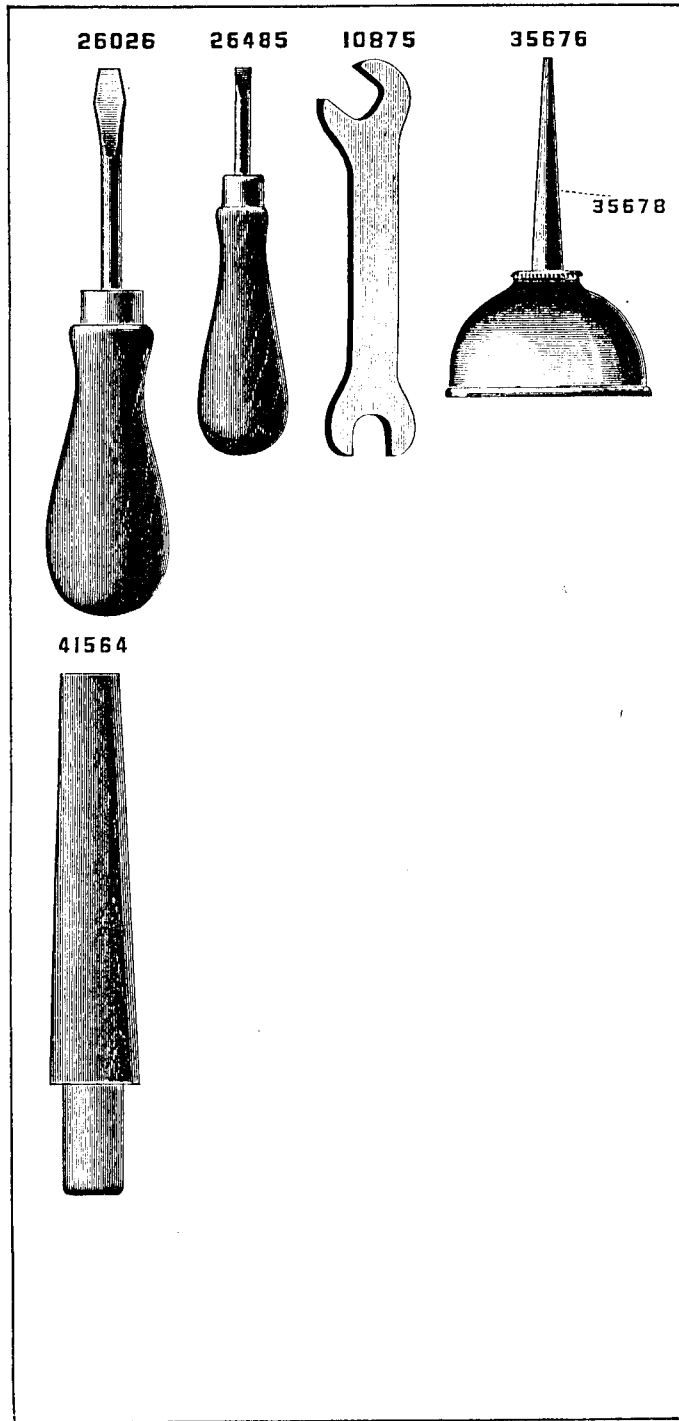


PLATE 5973—ONE-HALF SIZE

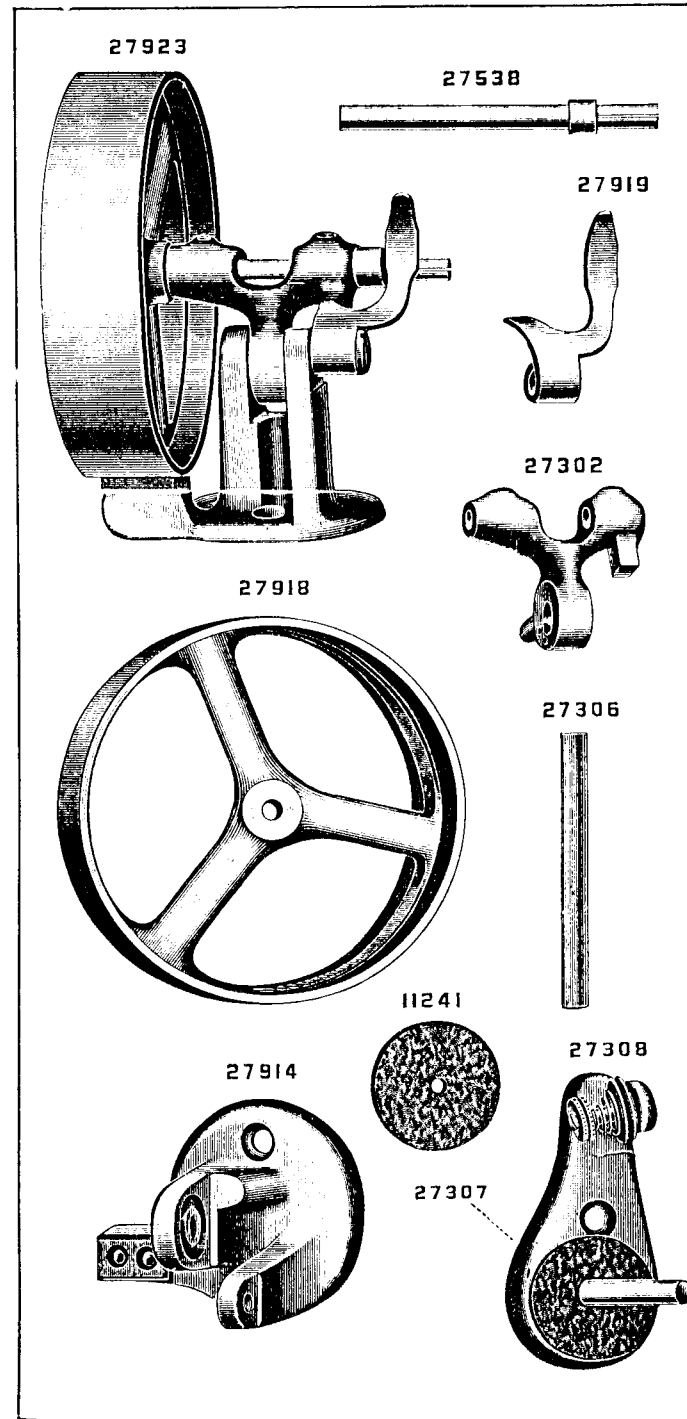


PLATE 5974—ONE-FOURTH SIZE

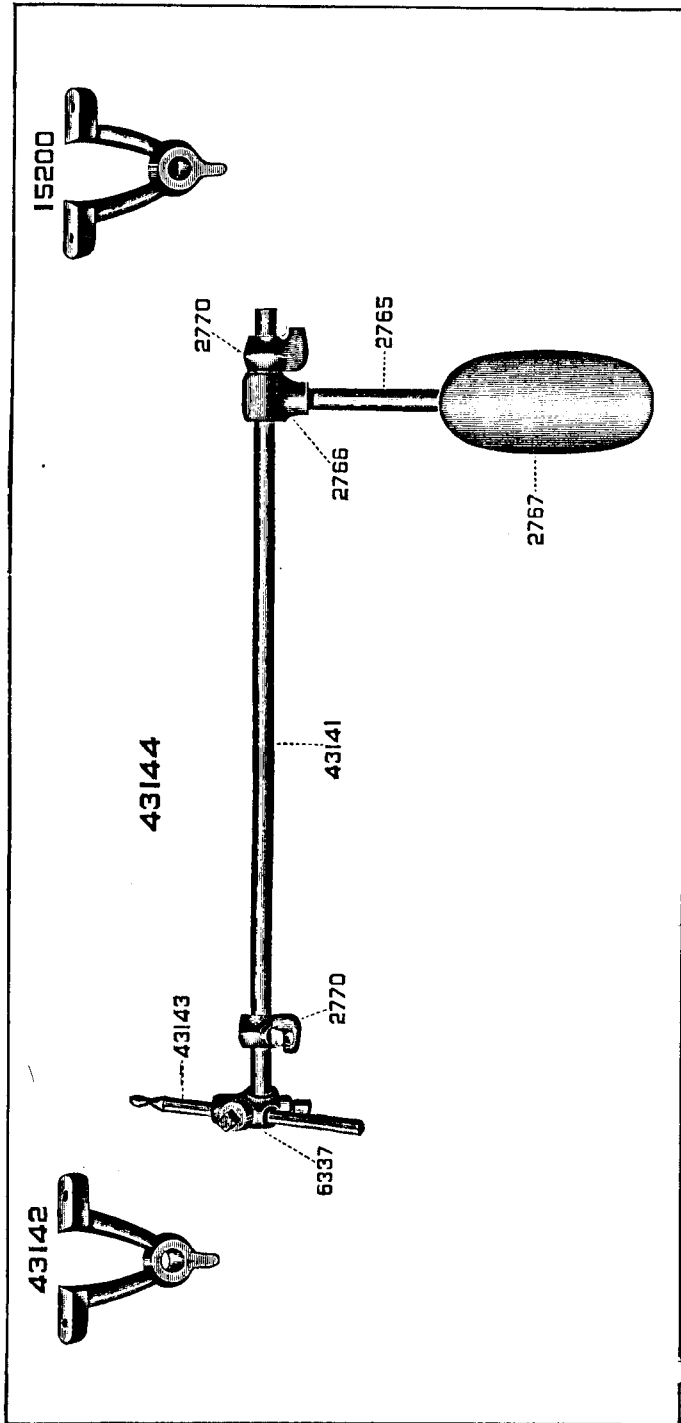


PLATE 5975—ONE-HALF SIZE

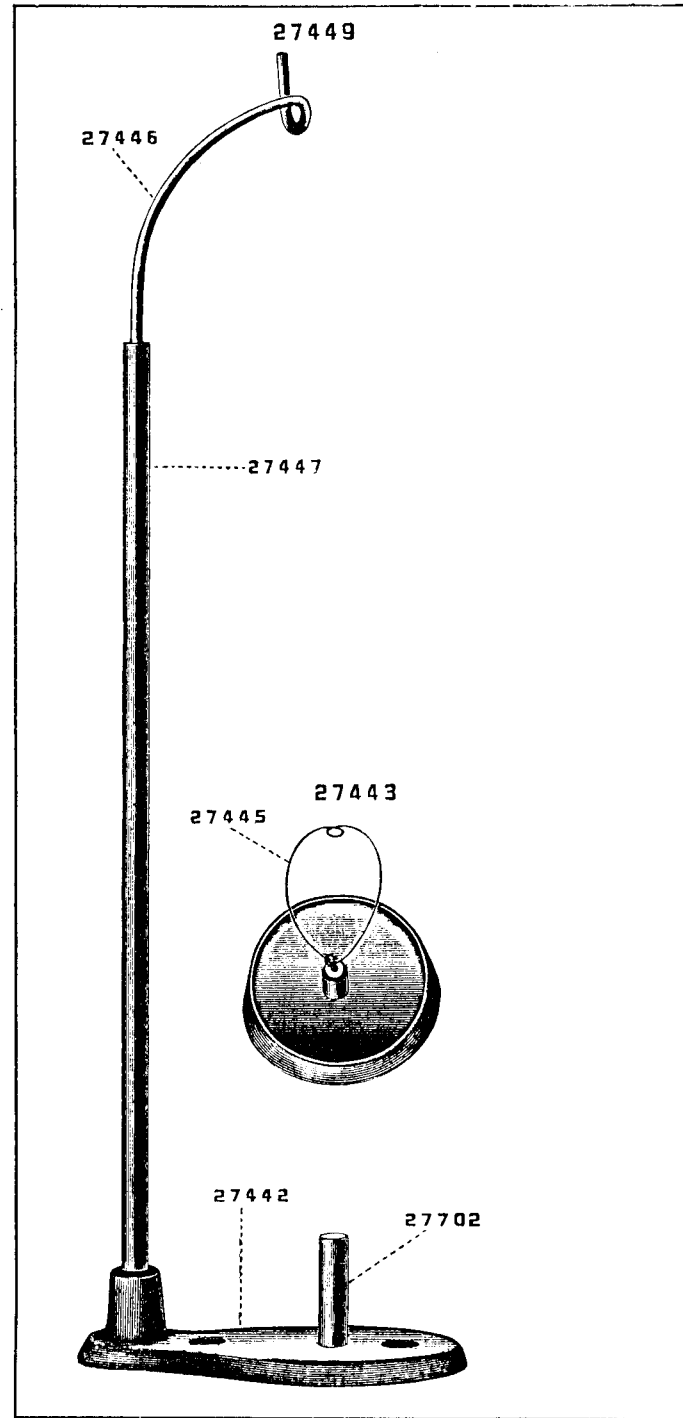


PLATE 5976—ONE-NINTH SIZE

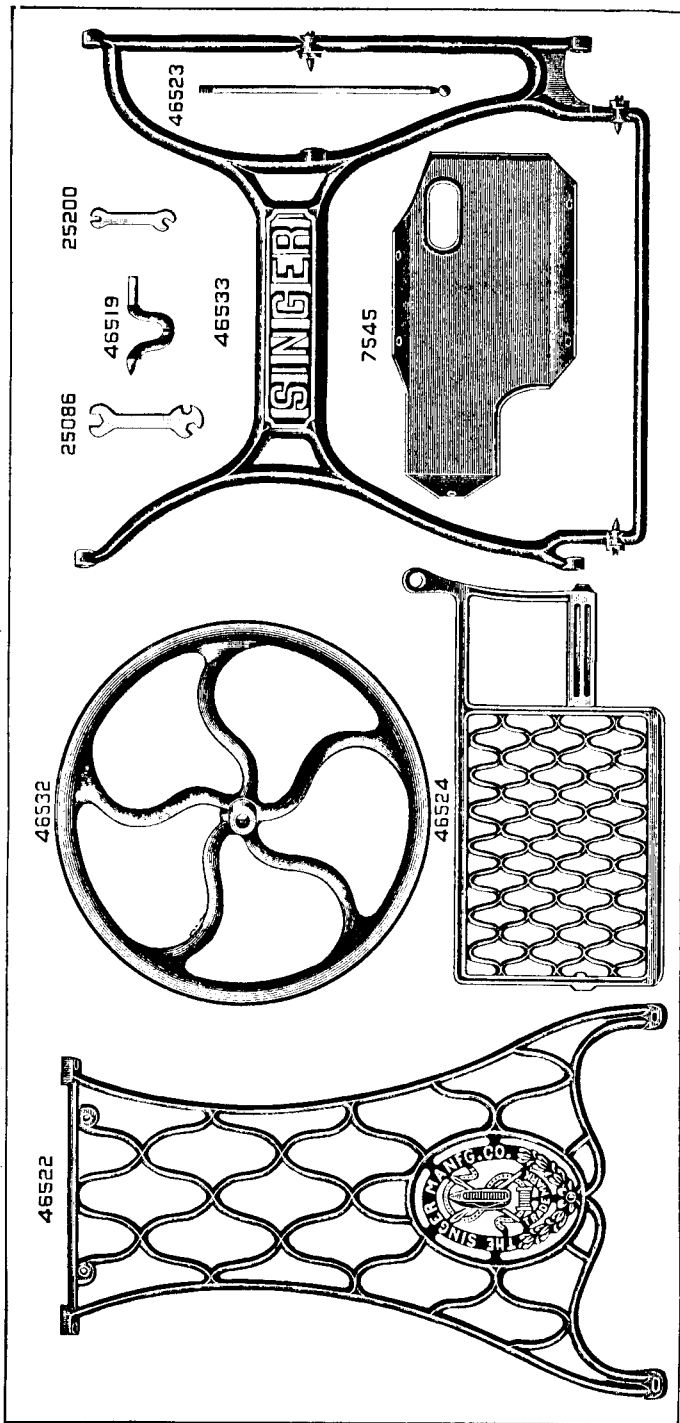


PLATE 5977—ONE-FOURTH SIZE

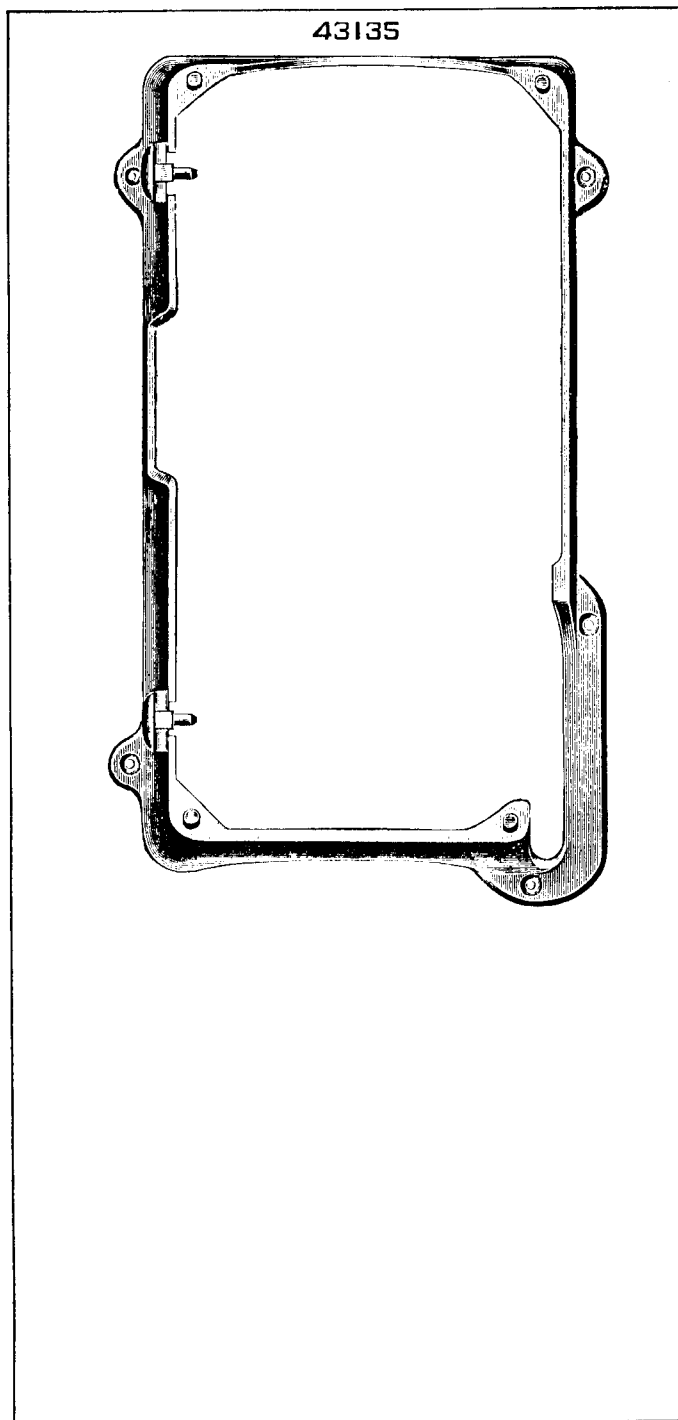


PLATE 5978—ONE-FOURTH SIZE

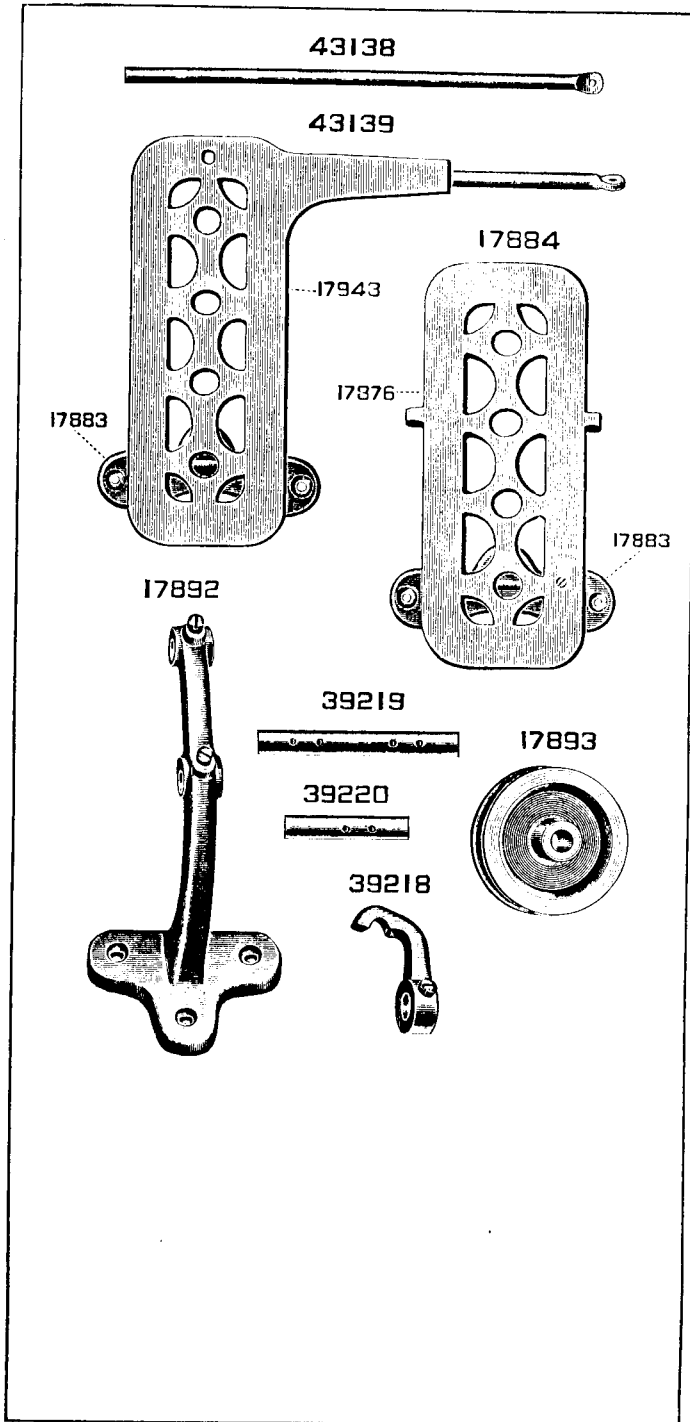


PLATE 5979—FULL SIZE

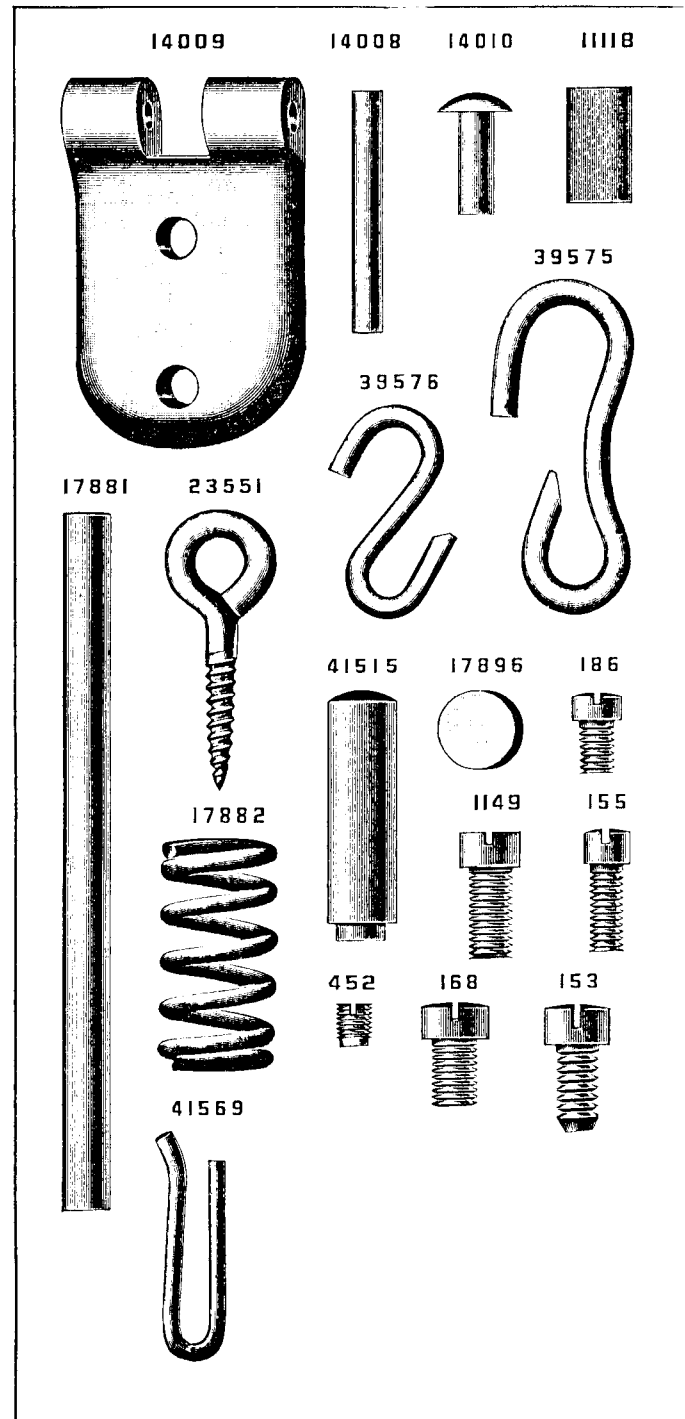


PLATE 5980—ONE-HALF SIZE

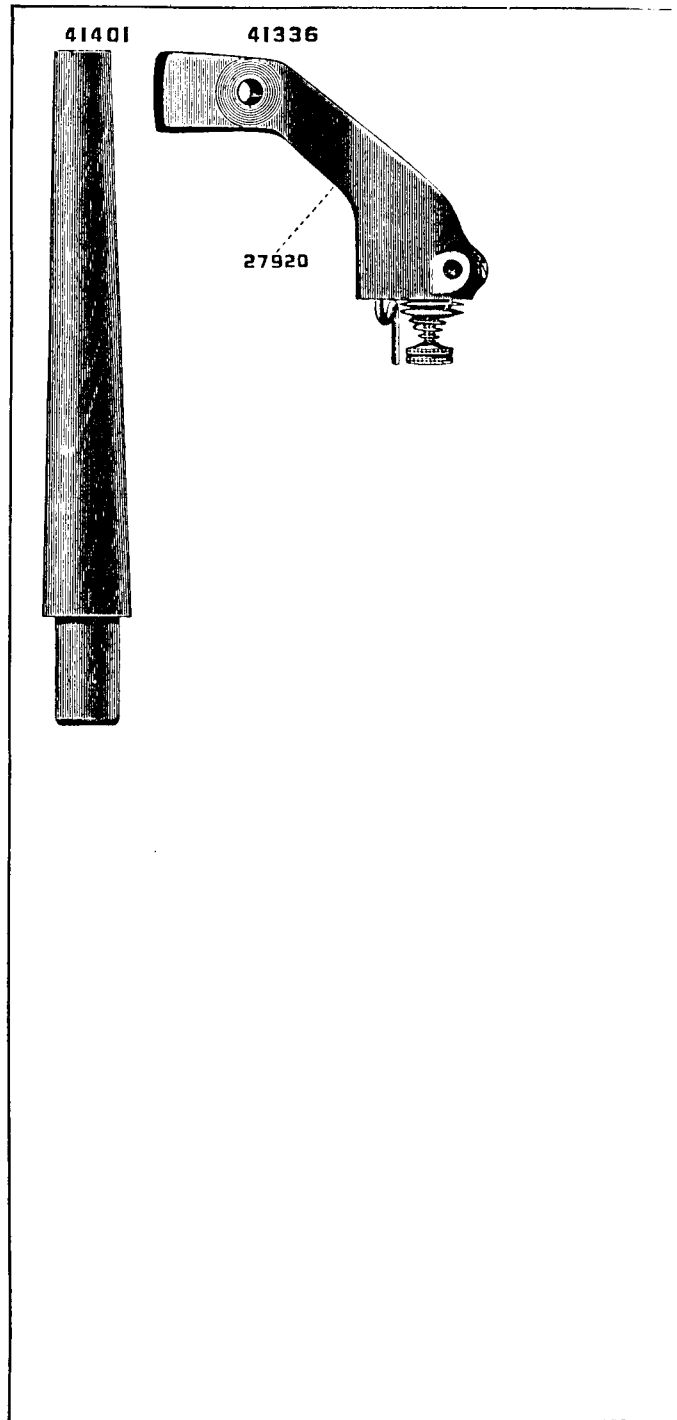


PLATE 5981—ONE-HALF SIZE

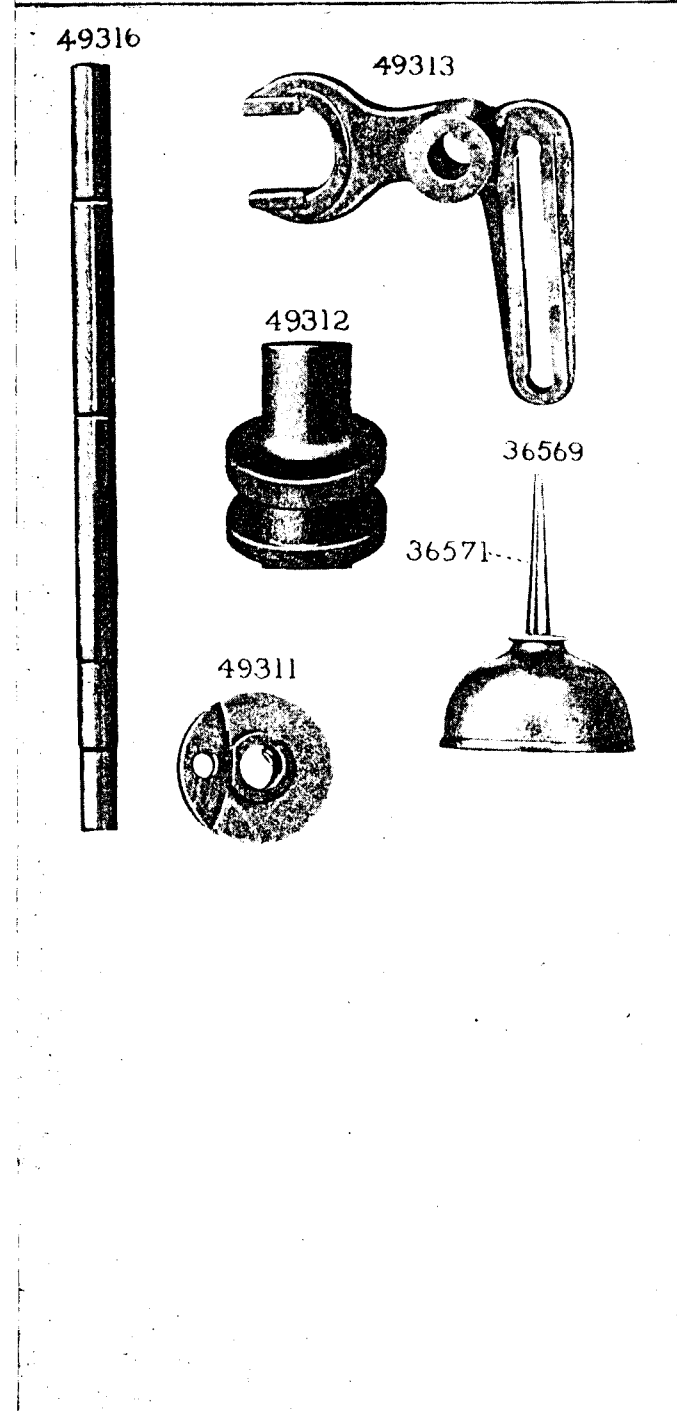
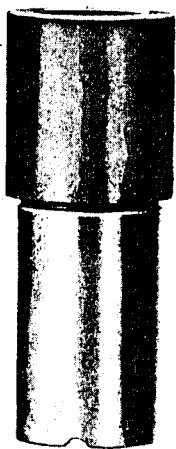
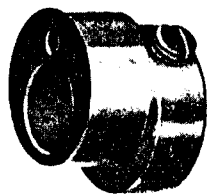


PLATE 5982—FULL SIZE

49314



49315



49317



49318



49320

