

SINGER
460K42,K72

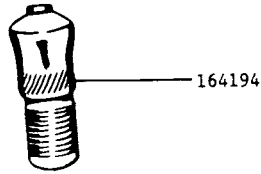
**Parts Chart
for
SINGER
460k42
and
460k72
Machines**

Form K6961
(669)

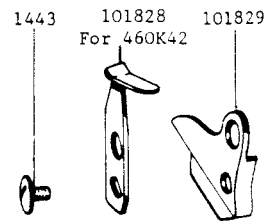
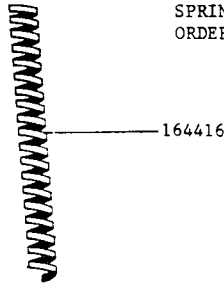
*Trademark of the Singer Company.
Copyright (C) 1969 by the Singer Company.
All rights reserved throughout the World.

Printed in
Great Britain.

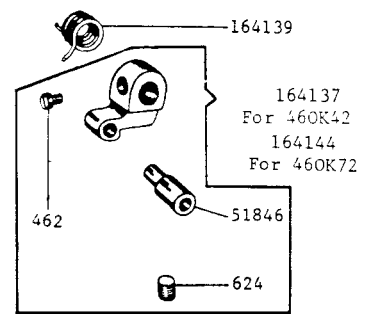
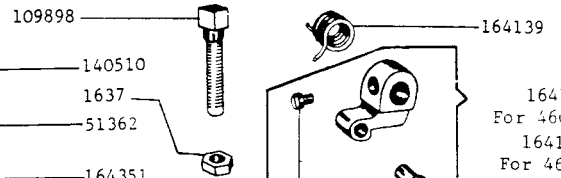
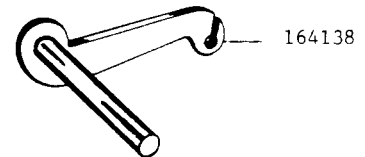
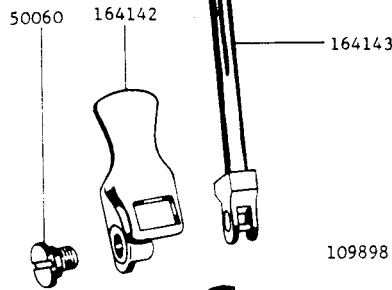
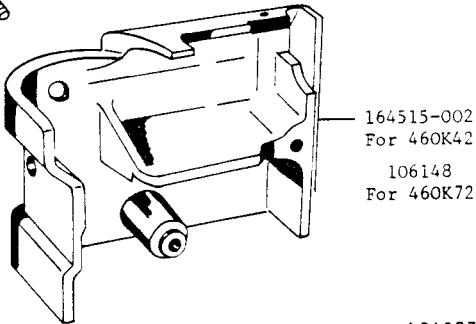
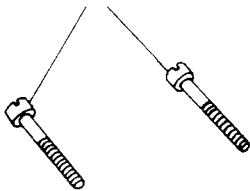
SINGER 460k42 and 460k72 Machines



NOTE: IF A HEAVIER SPRING IS REQUIRED,
SPRING NO. 164144 SHOULD BE
ORDERED.



50571
(2) for 460K42
(3) for 460K72

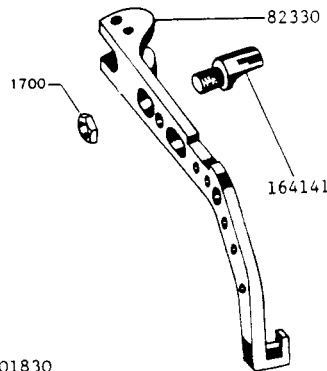
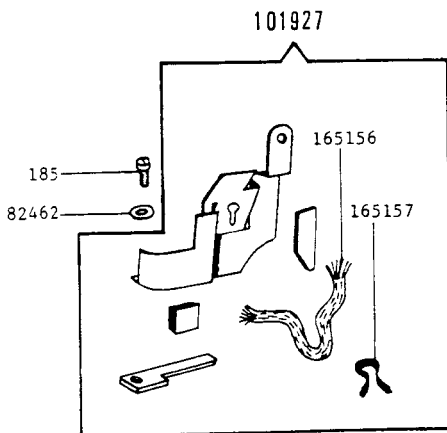


164516-002
for 460K42

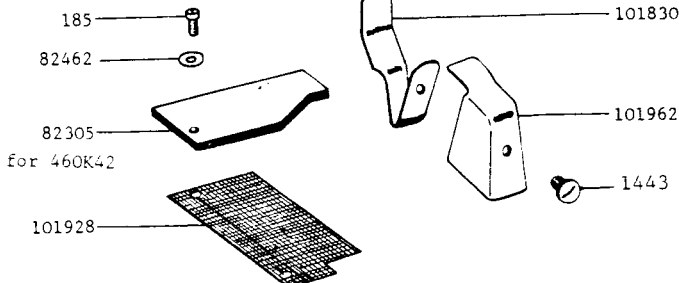
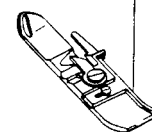
1637
109898
164515-002

106258
for 460K72

1637
109898
106148

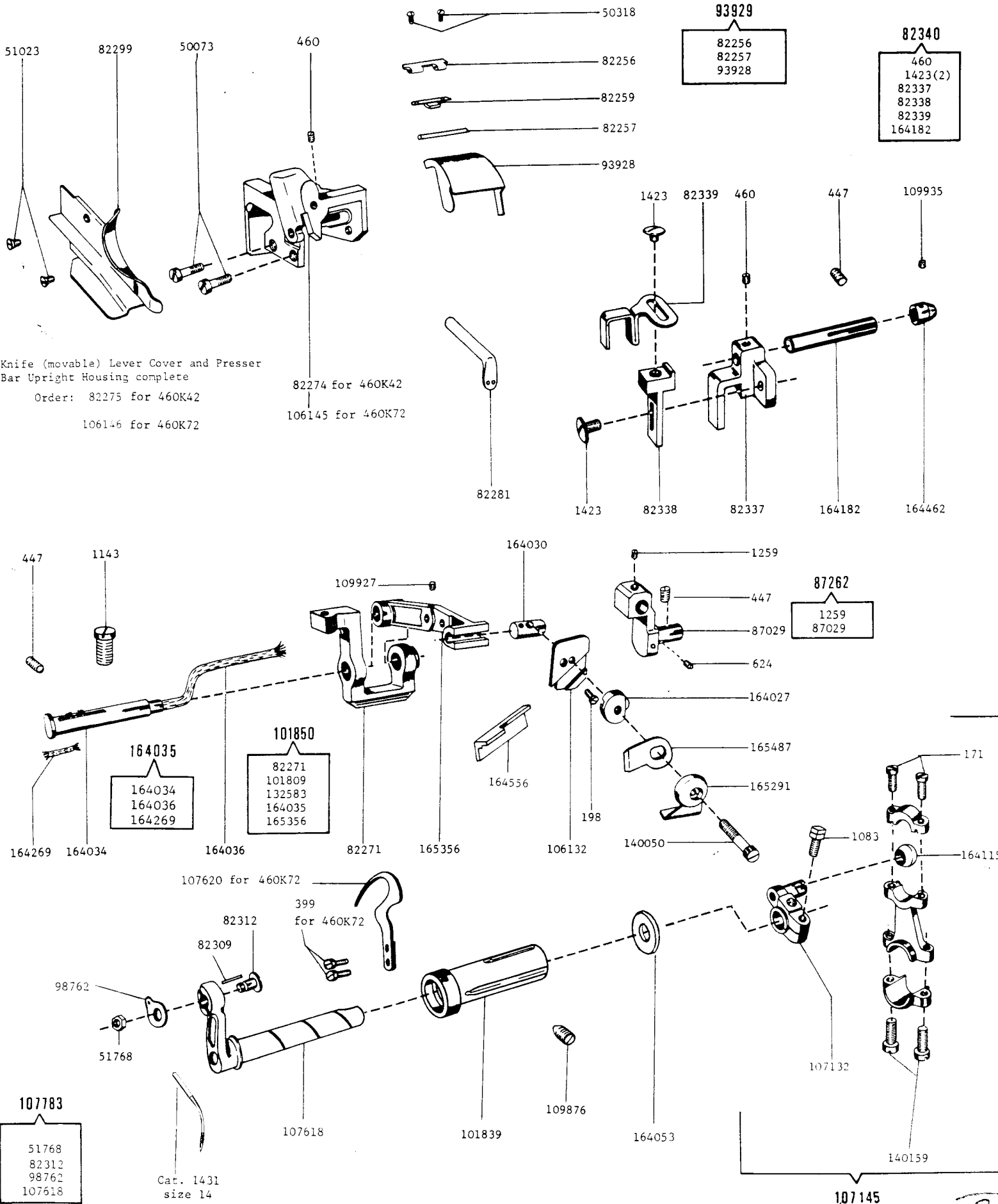


164474
(Standard for all Sales
Divisions except N.A.I.M.O.)



NUMERICAL LIST OF PARTS FOR SECTION 1.

<u>Part No.</u>	<u>Description</u>	<u>Part No.</u>	<u>Description</u>
185(809)	Machine Frame Bracket Oil Screen Screw	164141	Presser Bar (swing-out) Lifting Screw Stud
185(809)	Machine Frame Oil Splash Guard (internal) Screw (bottom)	164142(809)	Presser Bar (swing-out) Opening Lever
462(830)	Presser Bar Lifting Bracket Set Screw (short)	164143(850)	Presser Bar (upright)
624(830)	Presser Bar Lifting Bracket Set Screw (long)	164144	Presser Bar (upright) Spring (heavy) (alternative to 164416)
1443(809)	Machine Frame Oil Splash Guard (internal) Screw (top)	164194	Pressure Regulating Thumb Screw
1443(809)	Thread (needle) Controller Lever Screw	164351(809)	Presser Bar (swing-out) Pivot Screw Locking Plate
1637(810)	Presser Bar Lifting Bracket Stop Screw Nut	164416	Presser Bar (upright) Spring (heavy)
1700(809)	Presser Bar (swing-out) Lifting Screw Stud Nut	164474	Presser Foot complete (Standard for all Sales Divisions except N.A.I.M.O.)
50060(810)	Presser Bar (swing-out) Opening Lever Hinge Screw	164475	Presser Foot complete (Standard for N.A.I.M.O.)
50571(809)	Machine Frame Cover (back) Screw (long) (2) for 460K42, (3) for 460K72	164515-002	Machine Frame Cover (back) for 460K42
51362(830)	Presser Bar (swing-out) Pivot Screw Locking Plate Screw	164516-002	Machine Frame Cover (back) 164515-002 with 1637(809) and 109898(803) for 460K42
51846	Presser Bar Lifting Bracket Roller and Stud	165156	Machine Frame Oil Splash Guard (internal) Oil Wick
82305	Machine Frame Bracket and Cover (back) Gasket (rubber) for 460K42	165157	Machine Frame Oil Splash Guard (internal) Oil Wick Fastener
82330(850)	Presser Bar (swing-out)		
82462	Machine Frame Bracket Oil Screen Screw Washer		
82462	Machine Frame Oil Splash Guard (internal) Screw(Bottom) Washer		
101828	Thread (needle) Controller for 460K42		
101829	Oil Deflector		
101830	Needle Driving Shaft Oil Shield		
101927	Machine Frame Oil Splash Guard (internal) complete with 165156 and 165157		
101928	Machine Frame Bracket Oil Screen Lint Guard		
101962			
106144	Presser Bar Lifting Bracket with 462(830), 624(830) and 51846 for 460K72		
106148	Machine Frame Cover (back) for 460K72		
106258	Machine Frame Cover (back) 106148 with 1637(809) and 109898(803) for 460K72		
109898(832)	Presser Bar Lifting Lever Stop Screw		
140510(803)	Presser Bar (swing-out) Pivot Screw		
164137	Presser Bar Lifting Bracket with 462(830), 624(830) and 51846 for 460K42		
164138(809)	Presser Bar Lifting Lever		
164139	Presser Bar Lifting Lever Spring		



51023 82299 50073 460

Knife (movable) Lever Cover and Presser Bar Upright Housing complete

Order: 82275 for 460K42
106146 for 460K72

82274 for 460K42
106145 for 460K72

93929

82256
82257
93928

82340

460
1423(2)
82337
82338
82339
164182

164035

164034
164036
164269

101850

82271
101809
132583
164035
165356

87262

1259
87029

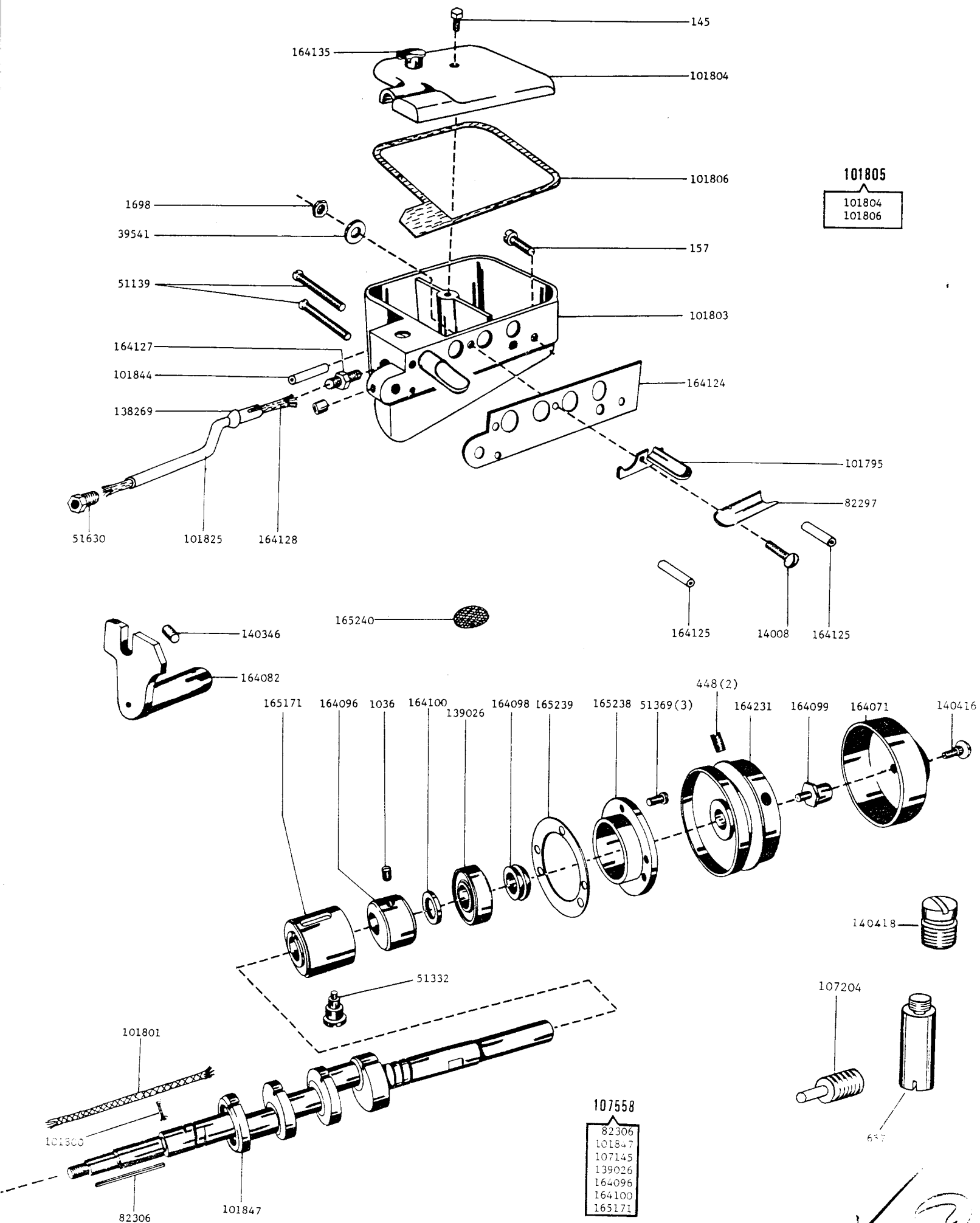
107783

51768
82312
98762
107618

Cat. 1431
size 14

NUMERICAL LIST OF PARTS FOR SECTION 2.

<u>Part No.</u>	<u>Description</u>	<u>Part No.</u>	<u>Description</u>
171(830)	Needle Driving Shaft Crank Connection Cap (upper) Screw	82340	Knife (movable) Lever Guide 82337 with 460(830), 82338, 82339, 164182 and two 1423
198(809)	Knife (movable) Holder Screw	87029	Knife (movable) Lever Bearing and Attachment Bracket
399(806)	Thread (needle) Controller Screw for 460K72	87262	Knife (movable) Lever Bearing and Attachment Bracket 87029 with 1259
447(830)	Knife (movable) Lever Bearing Set Screw (long)	93928	Knife (movable) Hinged Cover
447(830)	Knife (movable) Lever Guide	93929	Knife (movable) Hinged Cover 93928 with 82256 and 82257
	Holder Thread Tube Set Screw (Machine Frame End)	98762	Needle Holder Washer
447(830)	Knife (movable) Lever Hinge Stud Set Screw (back)	101839	Needle Driving Shaft Bushing
		101850	Knife (movable) Lever 165356 with 82271, 101809, 132583 and 164035
460(830)	Knife (movable) Lever Guide Thread Tube Set Screw	106132	Knife (movable) Holder
460(830)	Thread Eyelet (needle thread) Set Screw	106145	Knife (movable) Lever Cover and Presser Bar (upright) Housing with 460(830) for 460K72
624(830)	Knife (movable) Lever Bearing Set Screw (short)	106146	Knife (movable) Lever Cover and Presser Bar (upright) Housing complete, Nos. 50060(810), 82259, 82281, 93929, 106144, 106145, 164138, 164139, 164142(809), 164143, 164194, 164416 and two 50318(809) for 460K72
1083(803)	Needle Driving Shaft Crank Clamping Screw		Needle Driving Shaft with 82309
1143(830)	Knife (movable) Lever Hinge Stud Set Screw (top)	107618	Thread (needle) Controller for 460K72
1259	Knife (movable) Lever Bearing and Attachment Bracket Screw	107620	Needle Driving Shaft Crank with 1083(830)
1423	Knife (movable) Lever Guide and Needle Thread Bridge Bracket Screw	107132	Needle Driving Shaft Crank Connection with 171(830), 107132, 140159(830) and 164115
1423	Knife (movable) Lever Guide and Needle Thread Bridge Eyelet Screw	107145	Needle Driving Shaft 107618 with 51768(803), 82312 and 98762
50073(809)	Knife (movable) Lever Cover and Presser Bar (upright) Housing Screw	107783	Needle Driving Shaft Bushing Locating Screw
50318	Knife (movable) Hinged Cover Screw	109876	Knife (movable) Lever Hinge Pin Set Screw
51023(818)	Machine Frame Oil Splash Guard (top) Screw	109927(869)	Lint Stripper Set Screw
		109935(830)	Knife (movable) Clamp Screw
51768(803)	Needle Clamping Nut	140050(803)	Needle Driving Shaft Crank Connection Cap (lower) Screw
82256	Knife (movable) Hinged Cover Hinge	140159(830)	Knife (movable) Clamp
82257	Knife (movable) Hinged Cover Pin	164027(809)	Knife (movable) Holder Screw Bearing
82259	Knife (movable) Hinged Cover Spring	164030	Knife (movable) Lever Hinge Stud
82271	Presser Bar Bracket	164034	Knife (movable) Lever Hinge Stud 164034 with 164036 and 164269
82274	Knife (movable) Lever Cover and Presser Bar (upright) Housing with 460(830) for 460K42	164035	Knife (movable) Lever Hinge Stud Oil Wick (long)
82275	Knife (movable) Lever Cover and Presser Bar (upright) Housing complete, Nos. 50060(810), 82259, 82274, 82281, 93929, 164137, 164138, 164139, 164142(809) for 460K42	164036	Needle Driving Shaft Bushing Thrust Washer
		164053	Needle Driving Shaft Crank Ball
82281	Thread Eyelet (needle thread)	164115	Knife (movable) Lever Guide Thread Tube
82299	Machine Frame Oil Splash Guard (top)	164182	Knife (movable) Lever Hinge Stud Oil Wick (short)
		164269	Lint Stripper with 109935(830)
82309	Needle Stop Pin	164462(809)	Knife (movable) (serrated)
82312	Needle Holder	164556	Knife (movable) Guard (lower)
82337	Knife (movable) Lever Guide	165291	Knife (movable) Lever with 109927(869)
82328	Knife (movable) Lever Guide and Needle Thread Bridge Bracket	165356	Knife (movable) Guard (upper)
82339	Knife (movable) Lever Guide and Needle Thread Bridge Eyelet	165487	

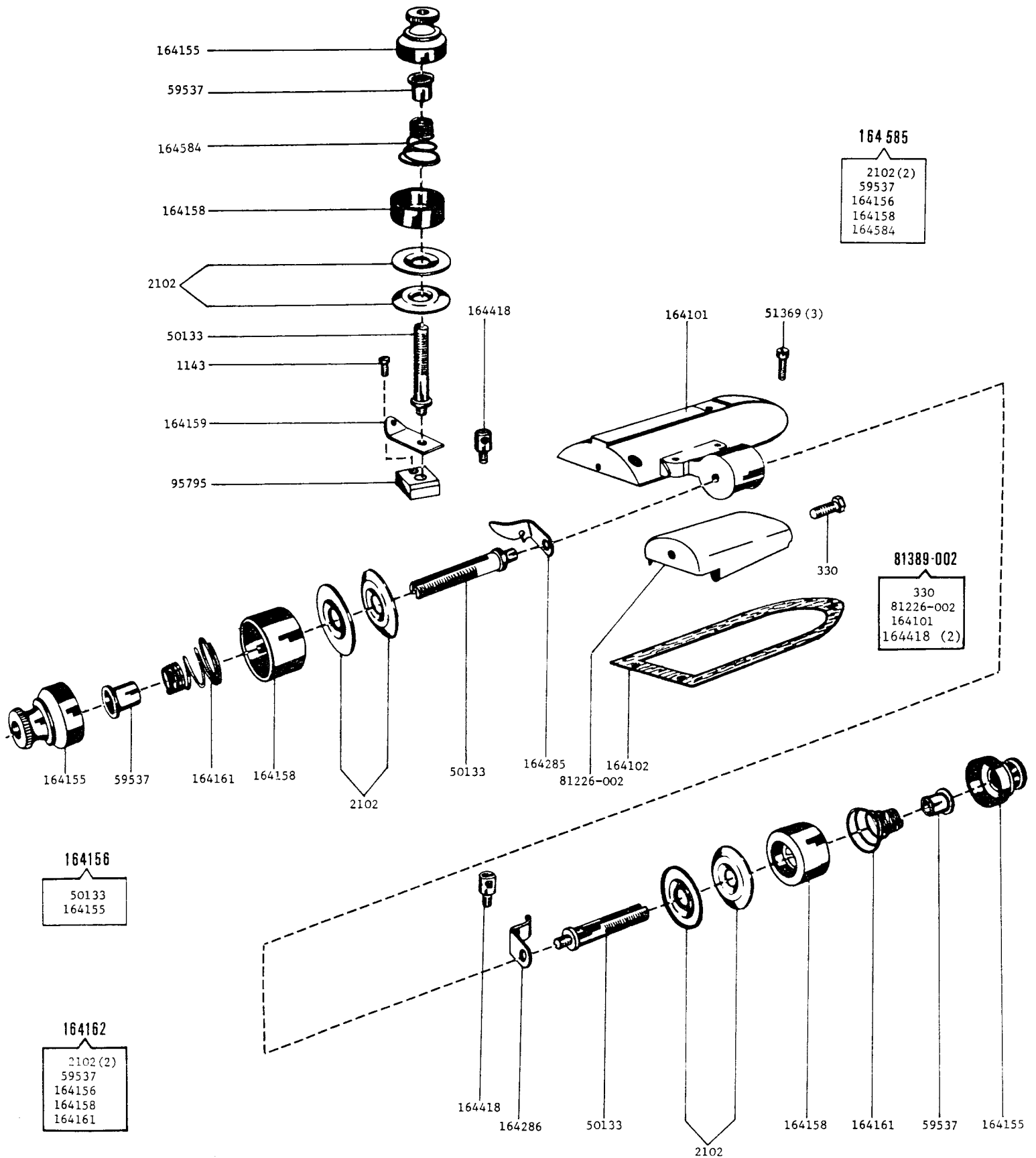


101805
 101804
 101806

107558
 82306
 101847
 107145
 139026
 164096
 164100
 165171

NUMERICAL LIST OF PARTS FOR SECTION 3.

<u>Part No.</u>	<u>Description</u>	<u>Part No.</u>	<u>Description</u>
145(809)	Oil Cooler Cover Screw	164099	Machine Frame Rotary Shaft Screw Stud
157(803)	Oil Cooler Screw (short)	164100	Machine Frame Rotary Shaft Thrust Bearing
448(830)	Machine Pulley Set Screw	164124	Oil Cooler Gasket
657(805)	Machine Screw Stud (front)	164125	Oil Cooler Oil Pipe
1036(830)	Machine Frame Rotary Shaft Counterbalance Set Screw	164127	Oil Cooler Oil Tube Coupling
1698(809)	Machine Frame Oil Lead Screw Nut	164128	Oil Cooler Oil Tube Wick with Threading Wire
39541	Machine Frame Oil Lead Screw Washer	164135	Oil Cup for filling machine
51139(809)	Oil Cooler Screw (long)	164231	Machine Pulley with two 448(830)
51332(803)	Machine Frame Rotary Shaft Bushing (intermediate) Set Screw	165171	Machine Frame Rotary Shaft Bushing (intermediate)
51369(803)	Machine Frame Rotary Shaft Ball Bearing Housing Screw	165238	Machine Frame Rotary Shaft Ball Bearing Housing
51630	Oil Cooler Oil Tube Lock Nut	165239	Machine Frame Rotary Shaft Ball Bearing Housing Gasket
82297	Machine Frame Oil Lead	165240	Machine Frame Rotary Shaft Bushing (intermediate) Oil Screen
82306	Machine Frame Rotary Shaft Key		
101795	Machine Frame Oil Lead Tube Support		
101800	Machine Frame Rotary Shaft Cross Wick		
101801	Machine Frame Rotary Shaft Oil Wick (long)		
101803	Oil Cooler complete with 164124, 164127 and two 164125		
101804	Oil Cooler Cover with 164135		
101805	Oil Cooler Cover 101804 with 101806		
101806	Oil Cooler Cover Gasket		
101825	Oil Cooler Oil Tube with 138269 and Wick		
101844	Knife (movable) Lever Hinge Stud Oil Wick (long) Protection Sleeve		
101847	Machine Frame rotary Shaft with 101800 and 101801 (for agents only)		
107204	Machine Frame Oil Drain Plug		
107558	Machine Frame Rotary Shaft with 82306, 101847, 107145, 139026, 164096, 164100 and 165171		
138269	Oil Cooler Oil Tube Sleeve		
139026	Machine Frame Rotary Shaft Ball Bearing		
140088(813)	Machine Frame Oil Lead Screw		
140346(830)	Machine Frame Oil Plug Bracket Set Screw		
140416(841)	Machine Pulley Cap Screw		
140418(805)	Machine Screw Stud (back)		
164071	Machine Pulley Cap		
164082	Machine Frame Oil Plug Bracket		
164096	Machine Frame Rotary Shaft Counterbalance with 1036(830)		
164098	Machine Frame Rotary Shaft Oil Return and Ball Bearing Grease Retainer		



NUMERICAL LIST OF PARTS FOR SECTION 4.

<u>Part No.</u>	<u>Description</u>	<u>Part No.</u>	<u>Description</u>
330(809)	Machine Frame Top Cover Oil Lead Screw	51326(809)	Belt Guard Screw
1143(830)	Tension (needle) Thread Guide Block Screw	56864	Foot Lifter Chain Hook (large)
2102	Tension Disc	56865	Foot Lifter Chain Hook (small)
50133(803)	Tension Screw Stud	56865	Knee Lifter Chain Hook (small)
51369(809)	Machine Frame Top Cover Screw	59324	Knee Lifter Chain (8" long) with 56865
59537	Tension Spring Bushing	68547	Wrench
81226-002	Machine Frame Top Cover Oil Lead	81350-011	Tin of Oil (1 pint, type H)
81389-002	Machine Frame Top Cover 164101 with 330(809), 81226-002 and two 164418(809)	81440	Key for 1/16" Allen Head Screws
95795(809)	Tension (needle) Thread Guide Block	81443	Thread Unwinder (3 spools) (supplied with machine for all territories except U.S.A. and Canada unless otherwise specified on order)
164101	Machine Frame Top Cover	81444	Thread Unwinder (4 spools) (supplied with machine to U.S.A. and Canada). Can be supplied in place of No. 81443 for all other territories if specified on order)
164102	Machine Frame Top Cover Gasket	82253	Gauge (supplied at an extra charge)
164155(809)	Tension Regulating Thumb Nut	93903	Belt Guard
164156	Tension Screw Stud 50133(803) with 164155(809)	93904	Belt Guard complete, Nos. 93903, two each 51326(809), 164200 and wood screws 3/4" No. 7 F.H.
164158	Tension Spring Cover	101831	Machine Base with two each wood screws sizes 3/4" No. 8 R.H. and 1 1/4" No. 6 F.H.
164159(809)	Tension (needle thread) Thread Guide	101859	Machine Pad (felt)
164161	Tension (heavy) Spring	140219(803)	Knee Lifter Rock Shaft Lifting Bracket Hook Set Screw
164162	Tension (heavy) complete, Nos. 59537, 164156, 164158, 164161 and two 2102	140219(803)	Knee Lifter Rock Shaft Lifting Bracket Set Screw
164285(809)	Tension (looper thread) Thread Guide (left)	141253(830)	Knee Lifter Rock Shaft Knee Arm Hub Clamping Screw
164286(809)	Tension (looper thread) Thread Guide (right)	143283	Knee Lifter Rock Shaft Knee Arm
164418(809)	Tension Thread Eyelet	147489	Knee Lifter Rock Shaft Knee Arm Hub with 356(830) and 141253(830)
164584	Tension (light) Spring	161294	Screw Driver
164585	Tension (light) complete, Nos. 59537, 164156, 164158, 164584 and two 2102	164164	Thread (looper, right hand) Thread Eyelet (movable)

NUMERICAL LIST OF PARTS FOR ACCESSORIES

<u>Part No.</u>	<u>Description</u>	<u>Part No.</u>	<u>Description</u>
356(803)	Knee Lifter Rock Shaft Knee Arm Hub Set Screw	164188	Machine Cushion (large)
356(803)	Knee Lifter Rock Shaft Knee Plate Set Screw	164189	Machine Cushion (small)
356(803)	Knee Lifter Rock Shaft Stop Dog Set Screw	164196	Threader
2763	Knee Lifter Rock Shaft	164197	Wrench (socket)
2767	Knee Lifter Rock Shaft Knee Plate with 356(803)	164198	Presser Bar Lifting Chain
2770	Knee Lifter Rock Shaft Stop Dog with 356(803)	164200	Belt Guard Bracket (back)
4879	Foot Lifter Chain Connecting Link	164203	Feed Eccentric Extractor (supplied at an extra charge)
4881	Foot Lifter Treadle	164204	Tweezers
4882	Foot Lifter Treadle Shaft	164556	Knife (movable) for 460K43 and 460K73
4884	Foot Lifter Treadle Stand	164727	Knee Lifter complete (supplied in place of Foot Lifter if specified on order)
4885	Treadle complete, Nos. 4879, 4881 to 4884 and two wood screws 1" No. 16 F.H. (only supplied if specified on order at no extra charge)	164728	Knife (stationary)
6337	Knee Lifter Rock Shaft Lifting Bracket with two 140219(803)	164729	Knee Lifter Rock Shaft Lifting Bracket Hook
6439	Foot Lifter Chain with 56864 and 56865	165253	Gauge (available at an extra charge)
10875	Wrench	168198	Chip Chute (supplied only when specified on order for all territories except U.S.A. and Canada at no extra charge. Regularly supplied for U.S.A. and Canada at no extra charge).
12242	Knee Lifter Rock Shaft Hanger with two wood screws 1" No. 10		

165063

- 141444 (831)
- 164745
- 165062

165064

- 3146
- 114032
- 164744
- 165063

81413

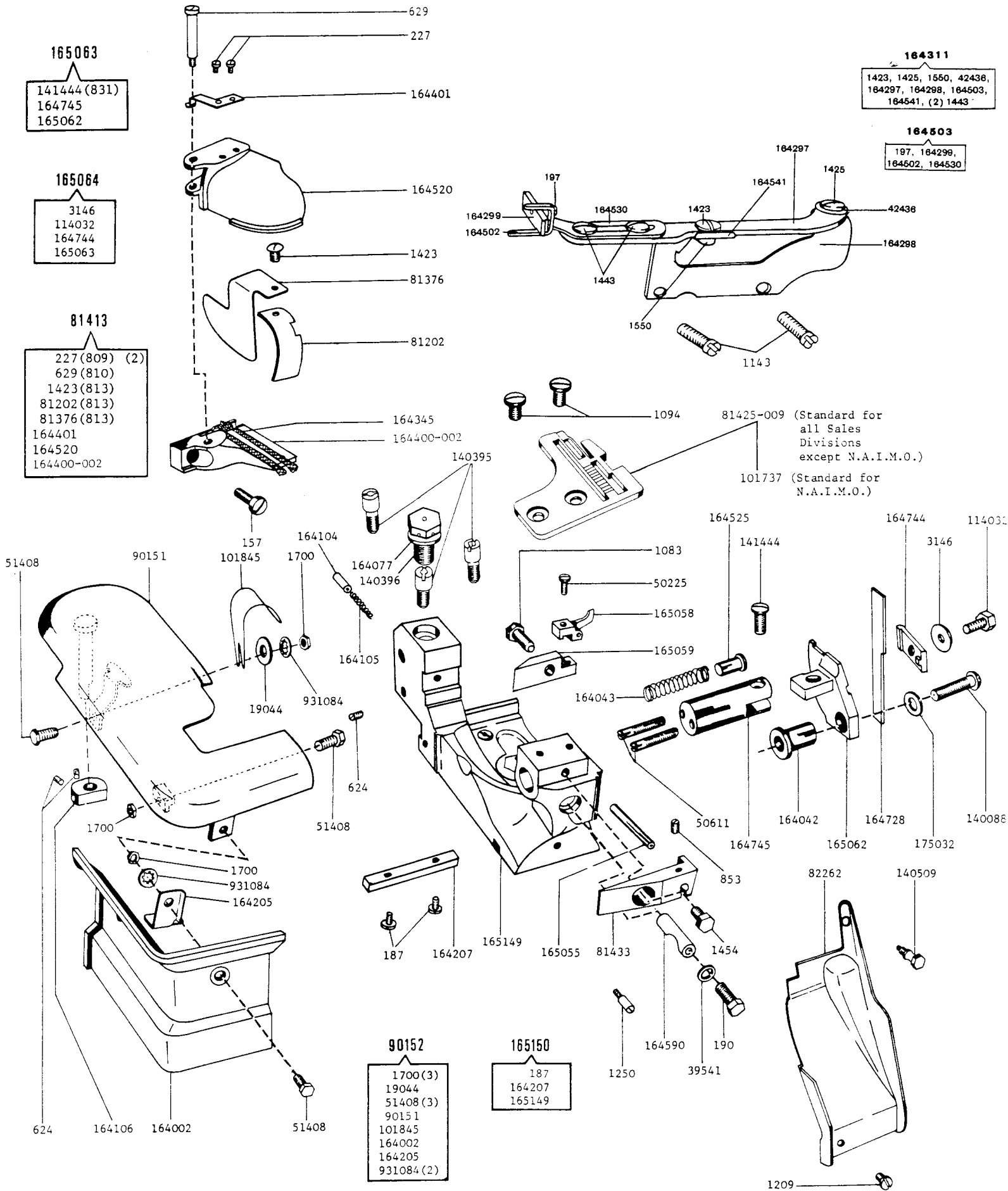
- 227 (809) (2)
- 629 (810)
- 1423 (813)
- 81202 (813)
- 81376 (813)
- 164401
- 164520
- 164400-002

164311

- 1423, 1425, 1550, 42436,
- 164297, 164298, 164503,
- 164541, (2) 1443

164503

- 197, 164299,
- 164602, 164530



90152

- 1700 (3)
- 19044
- 51408 (3)
- 90151
- 101845
- 164002
- 164205
- 931084 (2)

165150

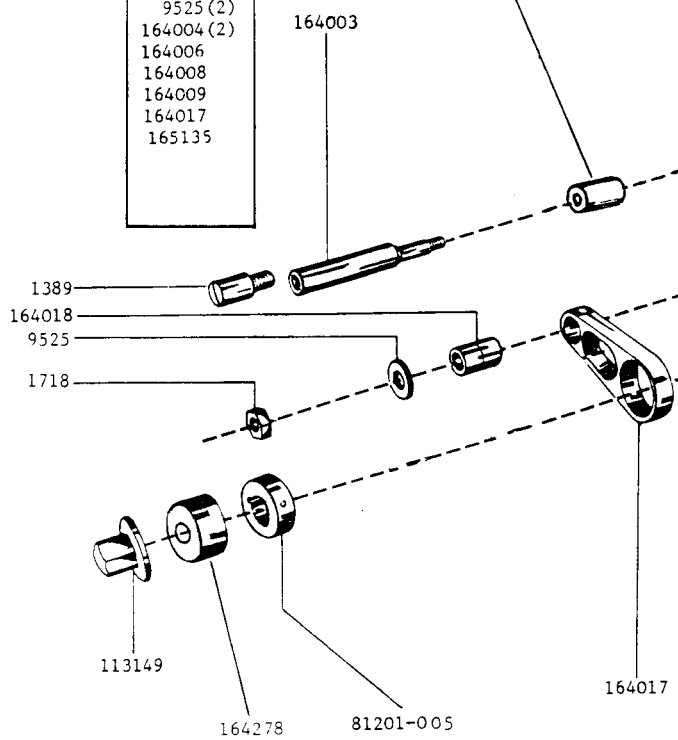
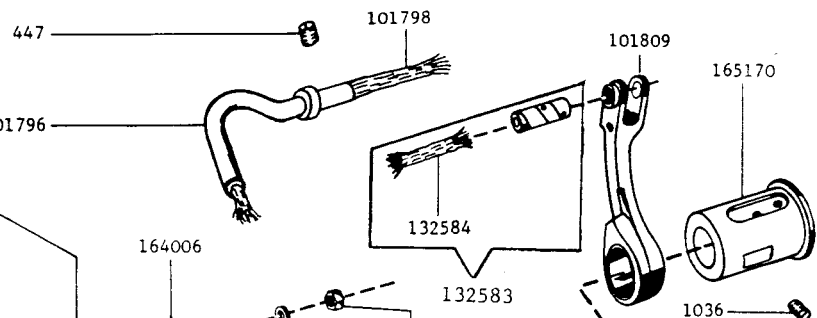
- 187
- 164207
- 165149

NUMERICAL LIST OF PARTS FOR SECTION 5.

<u>Part No.</u>	<u>Description</u>	<u>Part No.</u>	<u>Description</u>
157(803)	Feed Eccentric Cover Bracket Screw	101845	Feed Eccentric Cover Closing Spring
187(805)	Machine Frame Bracket Key Screw	114032(803)	Knife (stationary) Clamping Gib Screw
190(805)	Knife (stationary) and Needle Guard Holder Adjusting Stud Cap Screw	140088(805)	Knife (stationary) and Needle Guard Holder Sleeve Screw
197(809)	Guide (swing-out) Extension Screw	140395(805)	Machine Frame Bracket Screw (small)
227(809)	Feed Eccentric Cover Latch Spring Screw	140396(805)	Machine Frame Bracket Screw (large)
624(830)	Cloth Plate Plunger Set Screw	140509(809)	Chip Guard Screw (upper)
624(830)	Cloth Plate Position Collar Set Screw	141444(831)	Knife (stationary) and Needle Guard Holder Screw
629(810)	Feed Eccentric Cover Hinge Screw	164002	Cloth Plate Extension
853(830)	Looper (left hand) Thread Tube Set Screw	164042	Knife (stationary) and Needle Guard Holder Sleeve
1083(805)	Needle Guard Holder Screw	164043	Knife (stationary) and Needle Guard Holder Spring
1094(806)	Throat Plate Screw	164077	Machine Frame Bracket Screw (large) Washer (fibre)
1143(813)	Guide (swing-out) Arm Holder Screw	164104	Cloth Plate Plunger
1209(809)	Chip Guard Screw (lower)	164105	Cloth Plate Plunger Spring
1250(830)	Cloth Plate Lock Spring Retaining Screw Stud	164106	Cloth Plate Position Collar with two 624(830)
1423(813)	Feed Eccentric Cover Bracket Oil Cover Screw	164205	Cloth Plate Lock Spring
1423(809)	Guide (swing-out) Arm Lock Spring Screw	164207	Machine Frame Bracket Key
1425(809)	Guide (swing-out) Hinge Screw	164297	Guide (swing-out) Arm
1443(809)	Guide (swing-out) Screw	164298	Guide (swing-out) Arm Holder
1454(805)	Throat Plate Guide Screw	164299	Guide (swing-out) Extension (upper)
1550(809)	Guide (swing-out) Arm Lock Spring Screw Nut	164311	Guide (swing-out) complete
1700(809)	Cloth Plate Extension Screw Nut	164345	Feed Eccentric Oil Wick
1700(809)	Cloth Plate Lock Spring Nut	164400-002	Feed Eccentric Cover Bracket
1700(809)	Cloth Plate Position Screw Nut	164401	Feed Eccentric Cover Latch Spring
3146	Knife (stationary) Clamping Gib Screw Washer	164502	Guide (swing-out) Extension (lower)
19044	Feed Eccentric Cover Closing Spring Washer	164503	Guide (swing-out) with Extension complete
39541	Knife (stationary) and Needle Guard Holder Adjusting Stud Cap Screw Washer	164520	Feed Eccentric Cover
42436	Guide (swing-out) Hinge Screw Washer	164525	Knife (stationary) and Needle Guard Holder Spring Stud
50225(809)	Needle Guard Screw	164530	Guide (swing-out)
50611(803)	Knife (stationary) and Needle Guard Holder Position Screw	164541	Guide (swing-out) Arm Lock Spring
51408(830)	Cloth Plate Extension Screw	164590	Knife (stationary) and Needle Guard Holder Adjusting Stud
51408(830)	Cloth Plate Lock Spring Screw	164728	Knife (stationary)
51408(830)	Cloth Plate Position Screw	164744	Knife (stationary) Clamping Gib
81202(813)	Feed Eccentric Cover Bracket Oil Cover	164745	Knife (stationary) and Needle Guard Holder Body with two 50611(803)
81376(813)	Feed Eccentric Cover Bracket Splash Guard	165055	Looper (left hand) Thread Tube
81413	Feed Eccentric Cover complete, Nos. 629(810), 1423(813), 81202(813), 81376(813), 164400-002, 164401, 164520 and two 227(809)	165058	Needle Guard
81425-009	Throat Plate (Standard for all Sales Divisions except N.A.I.M.O.)	165059(813)	Needle Guard Holder
81433	Throat Plate Guide with 853(830)	165062	Knife (stationary) and Needle Guard Holder
82262	Chip Guard	165063	Knife (stationary) and Needle Guard Holder (adjustable) complete, Nos. 141444(831), 164745 and 165062
90151	Cloth Plate	165064	Knife (stationary) and Needle Guard Holder (adjustable) with Gib complete, Nos. 3146, 114032(803), 164744 and 165063
90152	Cloth Plate with Extension complete, Nos. 19044, 90151, 101845, 164002, 164205, two 931084(809), three each 1700(809) and 51408(830)	165149	Machine Frame Bracket
101737	Throat Plate (Standard for N.A.I.M.O.) 1607(809), 50318(818), 101836, 164163, 164164, 164165, 101896, 164173, 164206, two each 332(809), and 164171 (Standard for N.A.I.M.O.)	165150	Machine Frame Bracket Assembly, Nos. 164207, 165149 and two 187(805) (for agents only)
		175032	Knife (stationary) and Needle Guard Holder Sleeve Screw Washer
		931084(809)	Cloth Plate Extension Screw Nut Lock Washer
		931084(809)	Cloth Plate Lock Spring Nut Lock Washer

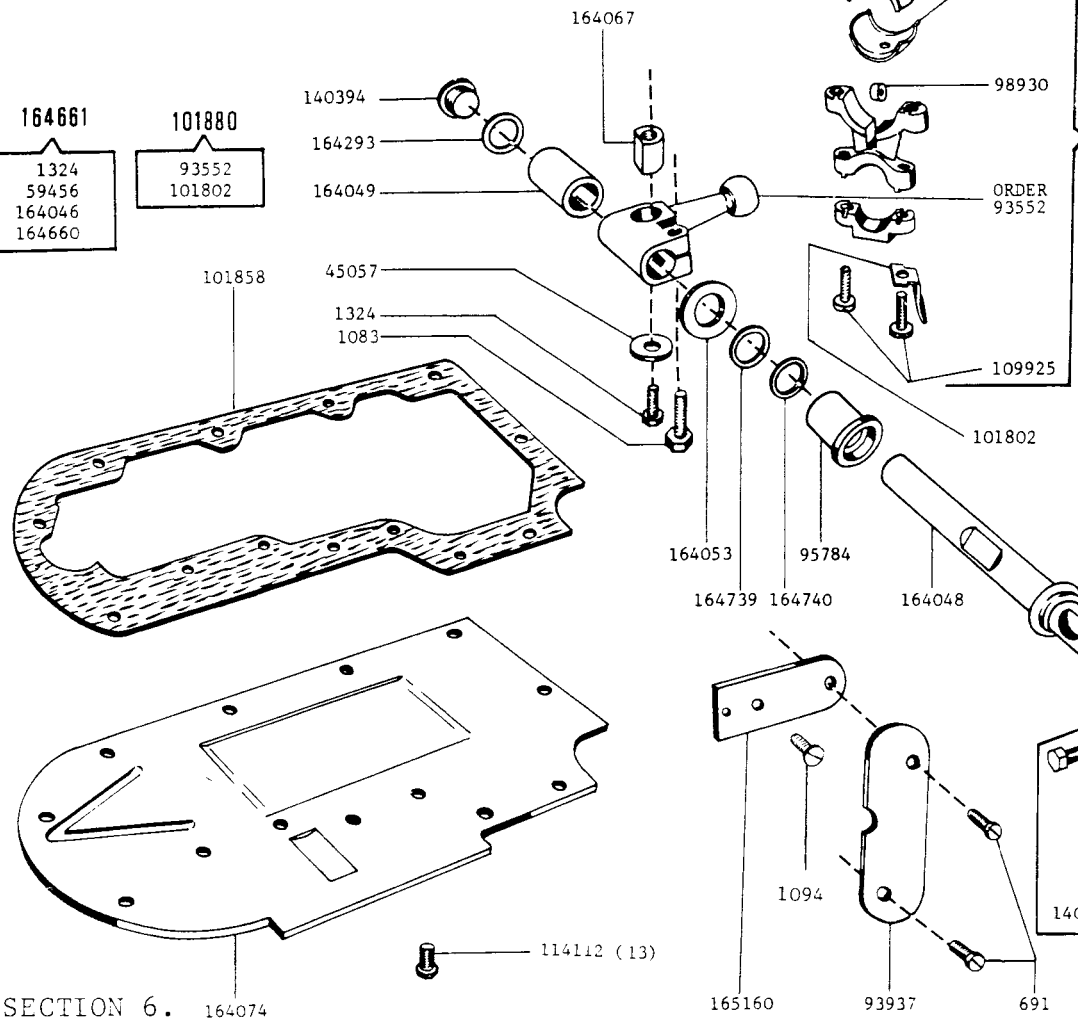
165209

- 1718 (2)
- 9525 (2)
- 164004 (2)
- 164006
- 164008
- 164009
- 164017
- 165135



165107 (Standard for all Sales Divisions except N.A.I.M.O.)
 101736 (Standard for N.A.I.M.O.)

- 164661
- 1324
 - 59456
 - 164046
 - 164660
- 101880
- 93552
 - 101802

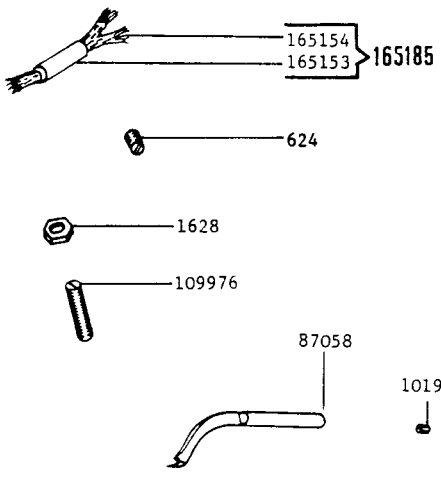


SECTION 6. 164074

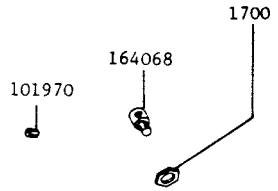


NUMERICAL LIST OF PARTS FOR SECTION 6.

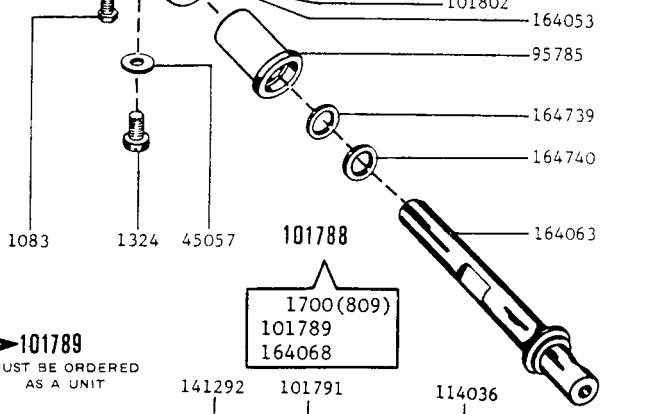
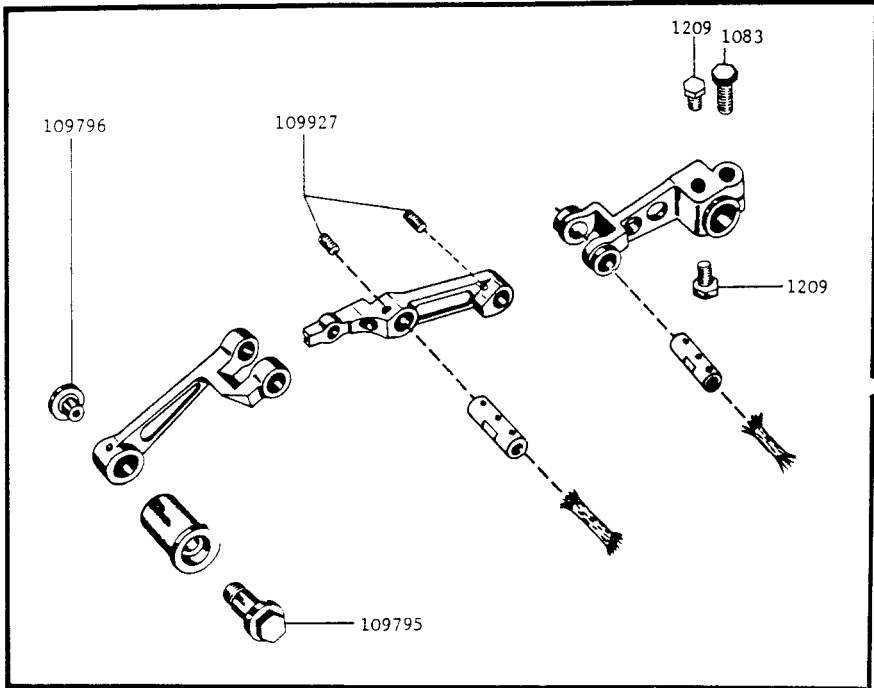
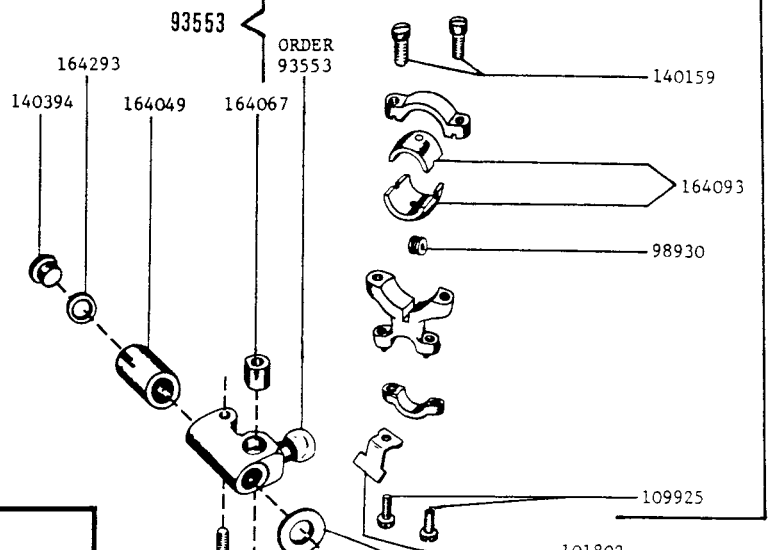
<u>Part No.</u>	<u>Description</u>	<u>Part No.</u>	<u>Description</u>
447(830)	Machine Frame Oil Tube (bent) Set Screw	140394(805)	Looper Driving Shaft Bushing (back) Cap Screw
460(830)	Looper Carrier Screw Set Screw	140596(830)	Looper Carrier Holder Set Screw (left)
691(803)	Machine Frame Wearing Plate Screw	164003	Feed Bar Hinge Pin (eccentric)
1036(830)	Machine Frame Rotary Shaft Bushing (front) Set Screw	164004	Feed Bar Slide Block (back)
1083(803)	Looper Carrier Holder Clamping Screw	164006	Feed Bar with 164010
1083(803)	Looper Driving Shaft Crank Clamping Screw	164008	Feed Bar Connection Bearing
1094(803)	Machine Frame Wearing Plate Spacer Screw	164009	Feed Bar Connection Hinge Screw Stud
1324(803)	Looper Carrier Screw	164010	Feed Bar Connection Hinge Screw Stud Position Pin
1324(803)	Looper Driving Shaft Crank Key Screw	164017	Feed Bar Connection
1389(830)	Feed Bar Hinge Pin Set Screw	164046	Looper Carrier with 460(830), 50379(806) and 164202
1454(806)	Feed Dog Screw	164048	Looper Driving Shaft
1628(803)	Feed Bar Slide Block (back) Nut	164049	Looper Driving Shaft Bushing (back)
1718(803)	Feed Bar Connection Hinge Screw Stud Nut	164053	Looper Driving Shaft Crank Thrust Bearing
9525(803)	Feed Bar Connection Hinge Screw Stud Nut Washer	164067	Looper Driving Shaft Crank Key
17022	Feed Bar Slide Block (back) Nut Washer	164074	Machine Frame Bottom Cover
45057	Looper Driving Shaft Crank Key Screw Washer	164093	Machine Frame Rotary Shaft Ball Sleeve (two pieces)
50379(806)	Looper Set Screw	164202	Looper Stop Pin
59456	Looper Carrier Screw Washer	164277	Feed Bar Guide (roller)
81201-005	Feed Eccentric (5 stitches per inch)	164278	Feed Bar Spacing Collar
87025	Looper	164293	Looper Driving Shaft Bushing (back) Cap Screw Washer
93552	Looper Driving Shaft Crank Connection with 98930, two each 109925(830), 140159(830) and 164093	164660	Looper Carrier Holder with 1083(803), 140393(830) and 140596(830)
93937	Machine Frame Wearing Plate	164661	Looper Carrier Holder 164660 with 1324(803), 59456 and 164046
95784	Looper Driving Shaft Bushing (front)	164739	Looper Driving Shaft Oil Ring (rubber)
98930	Machine Frame Rotary Shaft Ball Sleeve Guide	164740	Looper Driving Shaft Oil Ring Spacer
101736	Feed Dog (standard for N.A.I.M.O.)	165107	Feed Dog (Standard for all Sales Divisions except N.A.I.M.O.)
101786	Feed Lifting and Knife (movable) Eccentric	165135	Feed Bar Slide Block
101796	Machine Frame Oil Tube (bent) with Wick	165160	Machine Frame Wearing Plate Spacer
101798	Machine Frame Oil Tube (bent) Wick with Threading Wire (for agents only)	165170	Machine Frame Rotary Shaft Bushing (front)
101802	Oil Agitator	165209	Feed (front) Bar complete, Nos. 1718(803), 9525(803), 164004, 164006, 164008, 164009, 164017 and 165135
101809	Thread (needle) Controller Lever		
101858	Machine Frame Bottom Cover Gasket		
101880	Looper Driving Shaft Crank Connection 93552 with 101802		
109925(830)	Looper Driving Shaft Crank Connection Cap (lower) Screw		
113149	Machine Frame Rotary Shaft Nut		
114112(830)	Machine Frame Bottom Cover Screw		
132583	Knife (movable) Lever Hinge Pin with 132584		
132534	Knife (movable) Lever Hinge Pin Oil Wick		
140159(830)	Looper Driving Shaft Crank Connection Cap (upper) Screw		
140393(830)	Looper Carrier Holder Set Screw (right)		



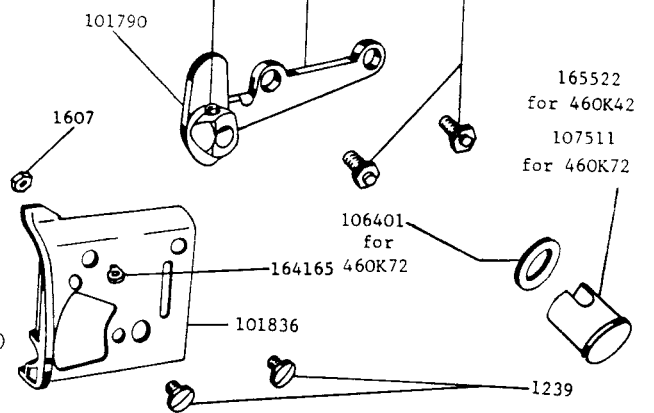
101881
93553
101802



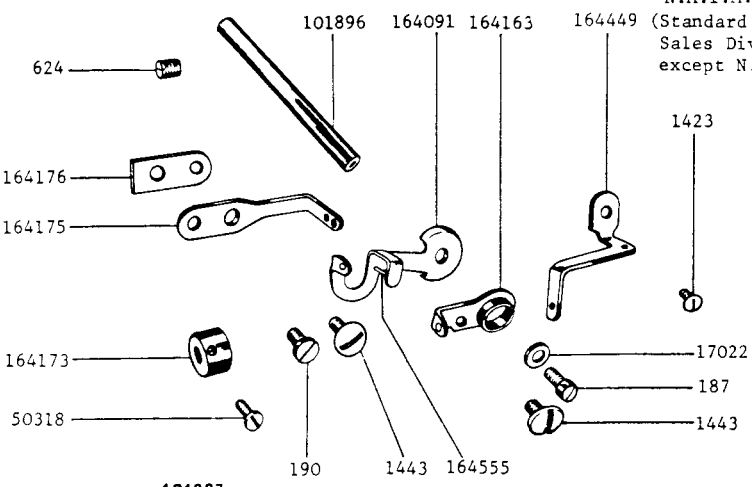
93553
ORDER
93553



101789
MUST BE ORDERED
AS A UNIT



164164 (Standard for
N.A.I.M.O.)
164449 (Standard for all
Sales Divisions
except N.A.I.M.O.)

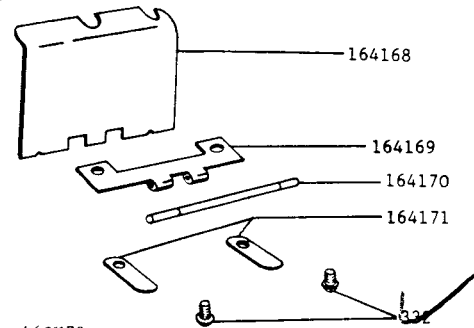


164206 for 460K42

164168
164169
164170

107789
for 460K72

164168
164169
164170



107880 for 460K72
(Standard for all
territories except
N.A.I.M.O.)

107940 for 460K72
(Standard for
N.A.I.M.O.)

101837 for 460K42
(Standard for all Sales Divisions
except N.A.I.M.O.)

101967 for 460K42
(Standard for N.A.I.M.O.)

332(2)	164163
1423	164165
1443	164171(2)
1607	164173
50318	164206
101836	164449
101896	

332(2)	164165
1423	101896
1443	164164
1607	164171
50318	164173
101836	164206
164163	164449

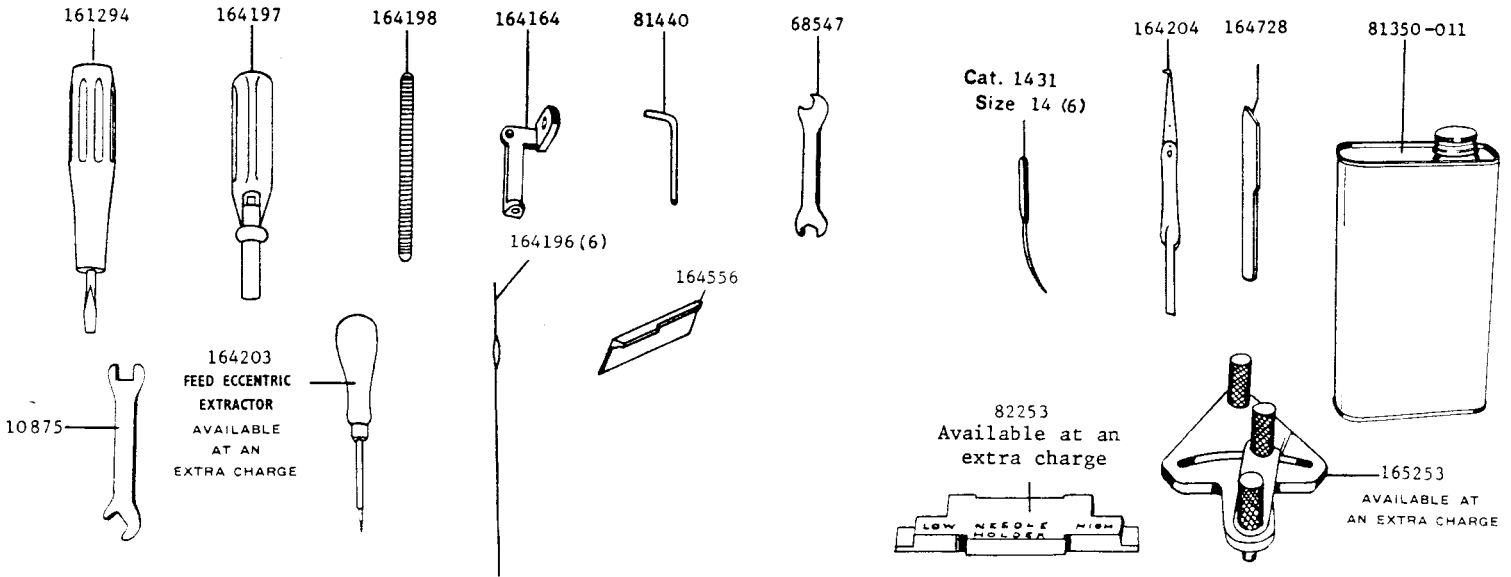
332(2)	107789
1423	164163
1443	164165
1607	164171(2)
50318	164173
101836	164449
101896	

332(2)	107789
1423	164163
1443	164164
1607	164165
50318	164171(2)
101836	164173
101896	

NUMERICAL LIST OF PARTS FOR SECTION 7.

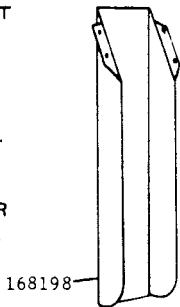
<u>Part No.</u>	<u>Description</u>	<u>Part No.</u>	<u>Description</u>
187(805)	Thread (spreader) Take-up Screw	107880	Thread (looper and spreader) Plate complete, Nos. 1423(809), 1443(809), 1607(809), 50318(818), 101836, 101896, 107789, 164163, 164165, 164173, 164449, two each 332(809) and 164171 (Standard for all territories except N.A.I.M.O.) for 460K72
190(805)	Thread (looper) Take-up Screw (lower)	107940	Thread (looper and spreader) Plate, complete, Nos. 1423(809), 1443(809), 1607(809), 50318(818), 101836, 101896, 107789, 164163, 164164, 164165, 164173, two each 332(809) and 164171 (Standard for N.A.I.M.O.) for 460K72
332(809)	Thread (looper and spreader) Plate Cover Spring Screw	109795(803)	Spreader Carrier Connecting Link Adjusting Screw (front)
624(830)	Machine Frame Oil Tube Set Screw	109796(803)	Spreader Carrier Connecting Link Adjusting Sleeve Cap Screw (back)
624(830)	Thread (spreader) Tube Set Screw	109925(830)	Spreader Driving Shaft Crank Connection Cap (lower) Screw
1083(803)	Spreader Driving Lever Clamping Screw	109927(869)	Spreader Carrier Hinge Pin Set Screw
1083(803)	Spreader Driving Shaft Crank Clamping Screw	109927(869)	Spreader Carrier Connecting Link Hinge Pin Set Screw
1209(830)	Spreader Driving Lever Clamping Screw	109976(830)	Spreader Carrier Connection Link Adjusting Screw (front) Stop Screw
1239(806)	Thread (looper and spreader) Plate Screw	114036	Spreader Four-Bar Linkage Mechanism Stabiliser Securing Screw
1324(803)	Spreader Driving Shaft Crank Key Screw	140159(830)	Spreader Driving Shaft Crank Connection Cap (upper) Screw
1423(809)	Thread (spreader) Thread Eyelet (adjustable) Screw	140394(805)	Spreader Driving Shaft Bushing (back) Cap Screw
1443(809)	Thread (spreader) Take-up Eyelet (adjustable) Screw	141292(830)	Spreader Four-Bar Linkage Mechanism Stabiliser Support Bracket Hub Screw
1443(809)	Thread (looper) Take-up Screw (upper)	164049	Spreader Driving Shaft Bushing (back)
1607(809)	Thread (spreader) Thread Eyelet (stationary) Nut	164053	Spreader Driving Shaft Crank Thrust Washer
1628(809)	Spreader Carrier Connecting Link Adjusting Screw (front) Stop Screw Nut	164063	Spreader Driving Shaft
1700(809)	Spreader Locking Screw Stud Nut	164067	Spreader Driving Shaft Crank Key
17022	Thread (spreader) Take-up Screw Washer	164068	Spreader Locking Screw Stud
45057	Spreader Driving Shaft Crank Key Screw Washer	164091	Thread (spreader) Take-up with 164555
50318(818)	Thread (looper and spreader) Plate Thread Bushing Screw	164093	Machine Frame Rotary Shaft Ball Sleeve (two pieces)
87058	Spreader	164163	Thread (spreader) Take-up Eyelet (adjustable)
93553	Spreader Driving Shaft Crank Connection with 98930, 164093, two each 109925(830) and 140159(830)	164164	Thread (spreader) Thread Eyelet (movable) (Standard for N.A.I.M.O.)
95785	Spreader Driving Shaft Bushing (front)	164165	Thread (spreader) Thread Eyelet (stationary)
98930	Machine Frame Rotary Shaft Ball Sleeve Guide	164168	Thread (looper and spreader) Plate Cover
101788	Spreader Four-Bar Linkage Mechanism with Driving Lever complete, Nos. 1700(809), 101789 and 164068	164169	Thread (looper and spreader) Plate Cover Hinge
101789	Spreader Four-Bar Linkage complete	164170	Thread (looper and spreader) Plate Cover Hinge Pin
101790	Spreader Four-Bar Linkage Mechanism Stabiliser	164171	Thread (looper and spreader) Plate Cover Spring
101791	Spreader Four-Bar Linkage Mechanism Stabiliser Support Bracket with 141292(830)	164173	Thread (looper and spreader) Plate Thread Bushing
101802	Oil Agitator	164175	Thread (looper) Take-up
101836	Thread (looper and spreader) Plate with 624(830)	164176	Thread (looper) Take-up Plate
101837	Thread (looper and spreader) Plate complete, Nos. 1423(809), 1443(809), 1607(809), 50318(818), 101836, 101896, 164163, 164165, 164173, 164206, 164449 and two each 332(809) and 164171 (Standard for all Sales Divisions except N.A.I.M.O.) for 460K42	164206	Thread (looper and spreader) Plate Cover 164168 with 164169 and 164170 for 460K42
101881	Spreader Driving Shaft Crank Connection 93553 with 101802	164293	Spreader Driving Shaft Bushing (back) Cap Screw Washer (fibre)
101896	Thread (spreader) Tube	164449	Thread (spreader) Thread Eyelet (movable) (Standard for all Sales Divisions except N.A.I.M.O.)
101967	Thread (looper and spreader) Plate complete, Nos. 1423(809), 1443(809), 1607(809), 50318(818), 101836, 164163, 164164, 164165, 101896, 164173, 164206, two each 332(809), and 164171 (Standard for N.A.I.M.O.) for 460K42	164555	Thread (spreader) Take-up Guide Wire
101970	Spreader Position Collar	164739	Spreader Driving Shaft Oil Ring (rubber)
106401	Machine Frame Oil Sight Gauge Seal for 460K72	164740	Spreader Driving Shaft Oil Ring (rubber)
107511	Machine Frame Oil Sight Gauge for 460K72	165153	Machine Frame Oil Tube
107789	Thread (looper and spreader) Plate Cover 164168 with 164169 and 164170 for 460K72	165154	Machine Frame Oil Tube Wick
		165185	Machine Frame Oil Tube Nos. 165153 and 165154
		165522	Machine Frame Oil Sight Gauge (lucite) for 460K42

Accessories



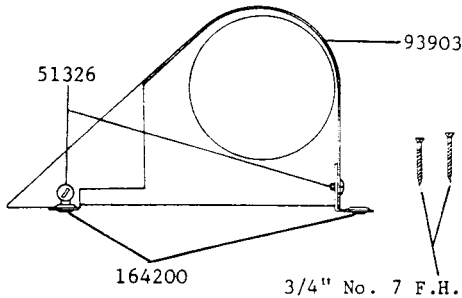
CHIP CHUTE

SUPPLIED ONLY WHEN SPECIFIED ON ORDER, AT NO EXTRA CHARGE, FOR ALL TERRITORIES EXCEPT U.S.A. AND CANADA. REGULARLY SUPPLIED FOR U.S.A. AND CANADA.

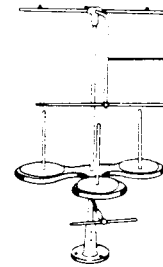


BELT GUARD

93904 51326 (809) (2)
93903
164200 (2)
3/4" No. 7 F.H. (2)

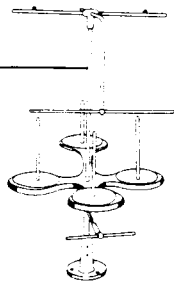


THREAD UNWINDERS



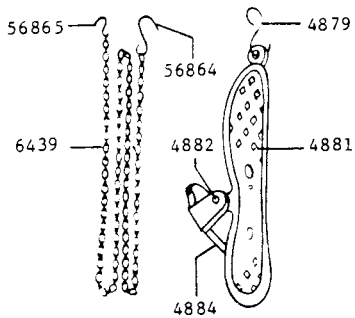
SUPPLIED WITH MACHINE TO ALL TERRITORIES EXCEPT U.S.A. AND CANADA UNLESS OTHERWISE SPECIFIED ON ORDER.

81444
(Four Spools)



SUPPLIED WITH MACHINE TO U.S.A. AND CANADA. (CAN BE SUPPLIED IN PLACE OF NO. 81443 FOR ALL OTHER TERRITORIES IF SPECIFIED ON ORDER).

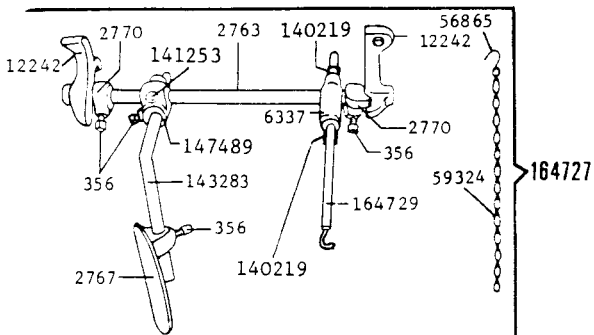
FOOT LIFTER



NOTE: As the stand recommended for these machines include a Foot Lifter Treadle, only Chain 8439 will be sent with machine. If fitted to a stand or other equipment which does not include a Foot Lifter Treadle, orders should state that Treadle 4885 is required and it will be furnished without charge.

KNEE LIFTER

AVAILABLE IN PLACE OF FOOT LIFTER IF SPECIFIED ON ORDER.



MACHINE BASE

