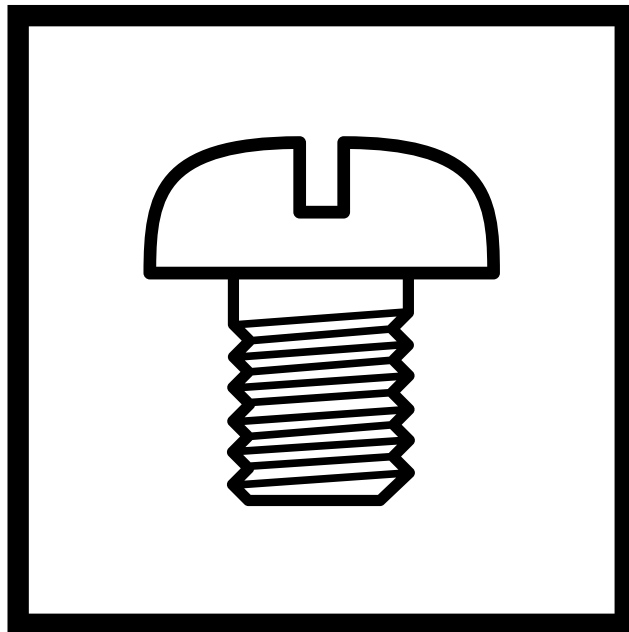


AUTOMATIC POCKET SETTER <JEANS>



Notes for using this parts book

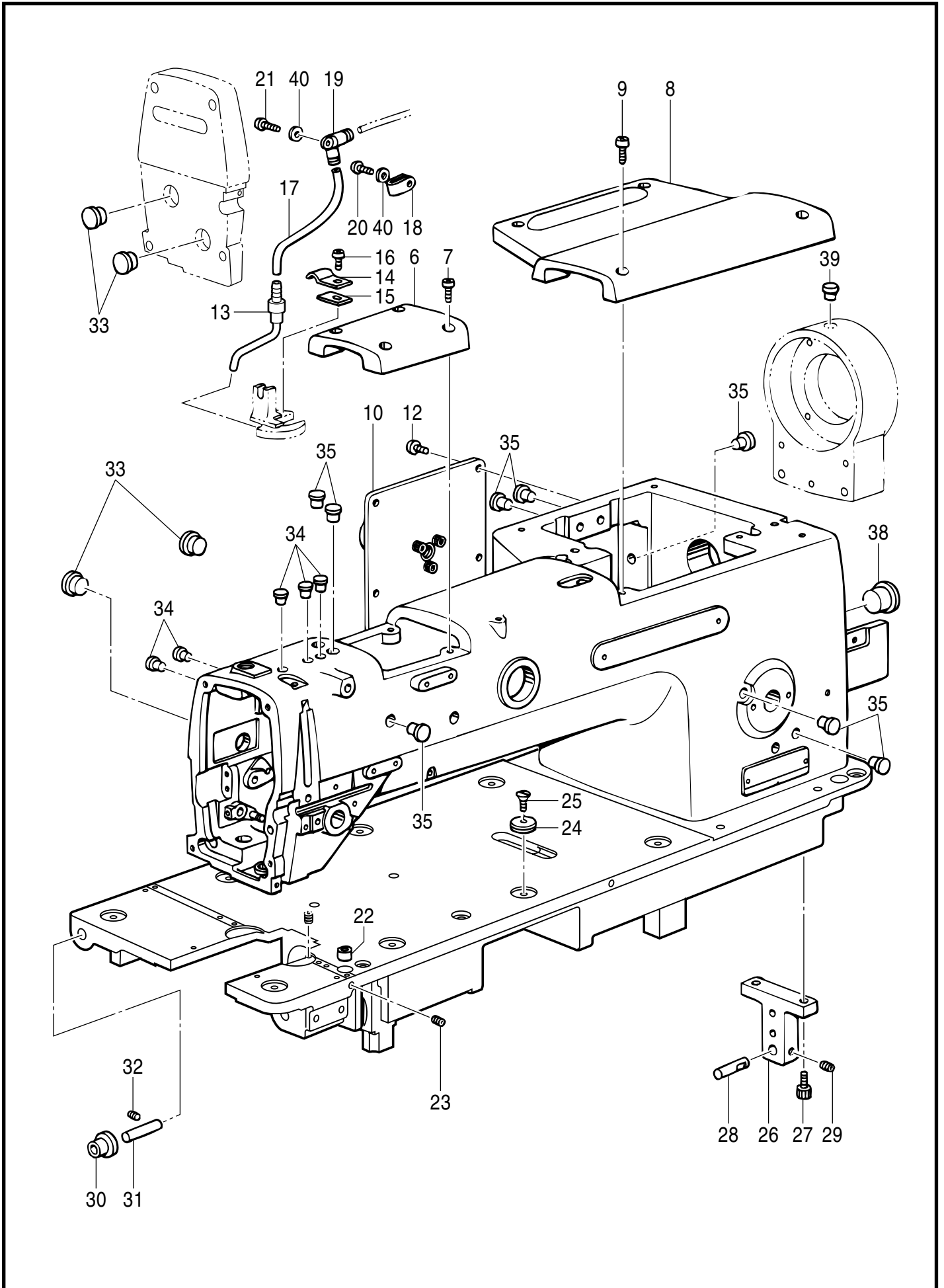
1. This book was prepared based on information available in February 1999.
2. Parts are subject to changes in design without prior notice.
3. Parts supplied as complete assemblies are circled by a dotted line 

CONTENTS

A . Machine body.....	1	N . Rotary hook mechanism	81
B . Needle bar and thread take-up mechanism..	3	P . Lubrication.....	83
C . Zigzag mechanism.....	5	Q . Threading mechanism.....	87
D . Needle plate mechanism.....	9	R . Bobbin winder mechanism	89
E . Presser foot mechanism.....	11	S . Thread trimmer mechanism.....	91
F1 . Stacker mechanism.....	13	T . Manual switch mechanism.....	93
F2 . Stacker mechanism.....	15	U1 . Air pressure mechanism	95
G . Feed guide mechanism	17	U2 . Air pressure mechanism	99
H . Feed guide mechanism	21	V1 . Power supply equipment mechanism	103
J . Thread breakage detector mechanism	25	V2 . Power supply equipment mechanism	105
K . Bottom mechanism.....	25	W . Printed circuit board mechanism.....	107
L1 . Folding margin mechanism (Option parts).....	27	X . Marker mechanism (Option parts).....	107
L2 . Folding margin mechanism (Option parts).....	33	Y . Motor mechanism	109
L3 . Folding margin mechanism (Option parts).....	39	AA . Operation panel mechanism.....	111
L4 . Folding margin mechanism (Option parts).....	45	AB . Foot switch pedal mechanism	111
L5 . Folding margin mechanism (Option parts).....	51	AC1 . Power table	113
L6 . Folding margin mechanism (Option parts).....	57	AC2 . Power table	115
L7 . Folding margin mechanism (Option parts).....	61	AD1 . Attachment set (Option parts).....	119
L8 . Folding margin mechanism (Option parts).....	65	AD2 . Attachment set (Option parts).....	123
L9 . Folding margin mechanism (Option parts).....	69	AD3 . Attachment set (Option parts).....	125
L10 . Folding margin mechanism (Option parts).....	73	AD4 . Attachment set (Option parts).....	127
M . Folding margin base mechanism.....	77	AD5 . Attachment set (Option parts).....	129
		AD6 . Attachment set (Option parts).....	131
		AE . Programmer.....	133
		AF . Attachment set (Option parts).....	133
		Z . Accessories	135
		Wa . Warning labels.....	139
		Index.....	140

A. 主体関係

A. Machine body

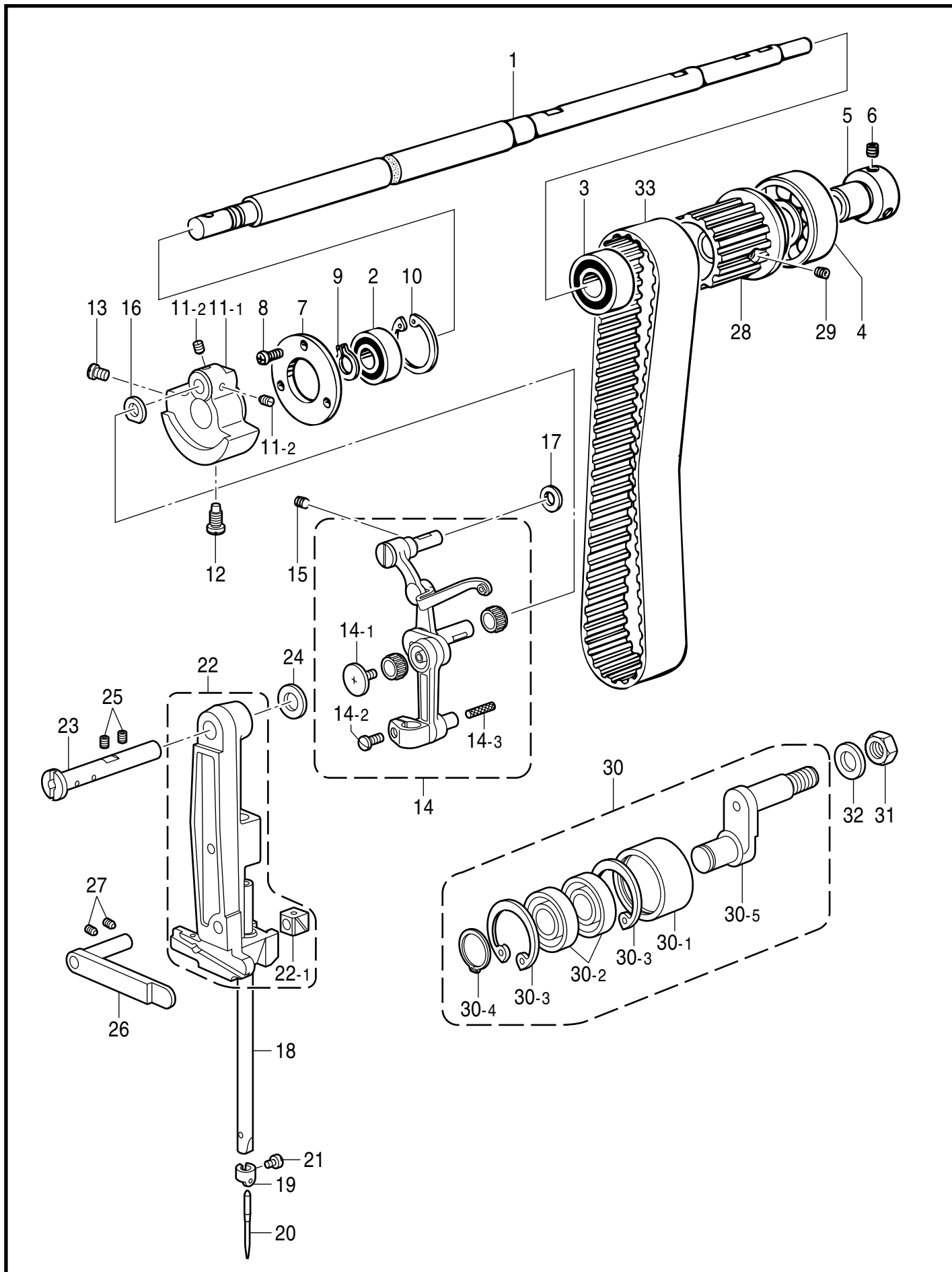


A . Machine body

REF.NO.	CODE	QTY	NAME OF PARTS	RM
6	S24695109	1	TOP COVER, S	
7	062401016	4	SCREW, PAN M4X10	
8	S24696009	1	TOP COVER, L	
9	062401016	4	SCREW, PAN M4X10	
10	S29885009	1	REAR COVER ASSY	
12	062401216	4	SCREW, PAN M4X12	
13	S24699101	1	THREAD BLOWER	
14	S00955001	1	PIPE SUPPORT PLATE	
15	159690001	1	STOPPER, FEED CAM	
16	062670612	1	SCREW, PAN SM3.57-40X6	
17	S46252000	1	AIR TUBE, 0425U12B	
18	149547000	1	CORD HOLDER, 4N	
19	S01201000	1	ELBOW	
20	062401006	1	SCREW, PAN M4X10	
21	062401416	1	SCREW, PAN M4X14	
22	S11856001	2	POSITIONING BUSH	
23	012400436	2	SET SCREW, SOCKET (FT) M4X4	
24	S11857000	6	NEEDLE PLATE SUPPORT	
25	107272002	6	SCREW, FLAT SM4.37	
26	S24700001	1	HEAD SUPPORT STUD	
27	018501622	2	BOLT, SOCKET M5X16	
28	152866001	1	HEAD SUPPORTER PIN	
29	012500536	1	SET SCREW, SOCKET (FT) M5X5	
30	152868009	2	HINGE CUSHION	
31	152867000	2	HINGE SHAFT	
32	012500536	2	SET SCREW, SOCKET (FT) M5X5	
33	104449009	4	RUBBER CAP, 15.5	
34	104450109	5	RUBBER CAP, 8	
35	104821009	8	RUBBER CAP, 10.5	
38	158882009	1	RUBBER CAP, 22	
39	104821001	1	RUBBER CAP, 10.5	
40	025040236	2	WASHER, PLAIN M 4	

B. 針棒・天秤關係

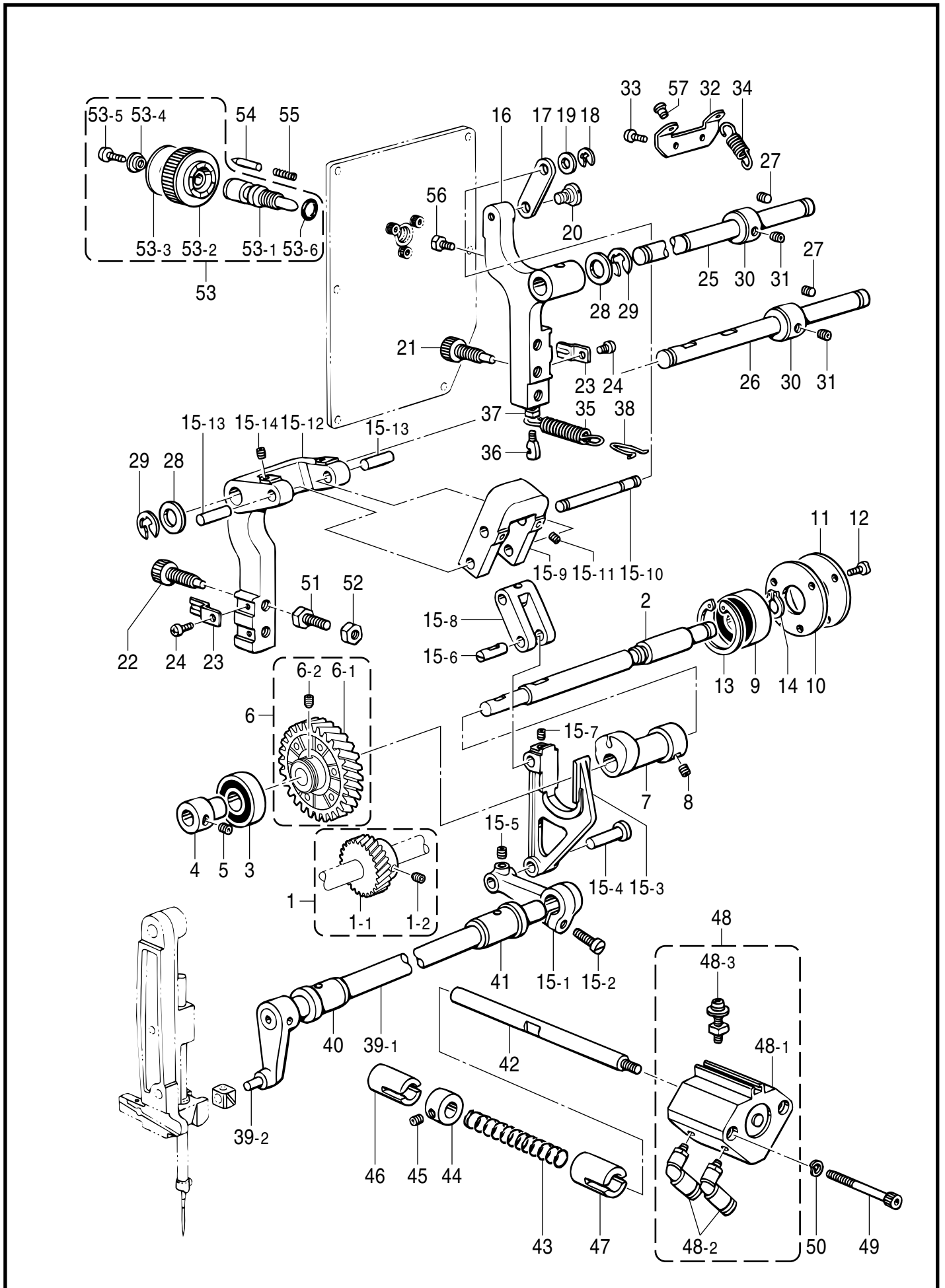
B. Needle bar and thread take-up mechanism



B. Needle bar and thread take-up mechanism

REF.NO.	CODE	QTY	NAME OF PARTS	RM
1	S24701001	1	UPPER SHAFT	
2	S11921000	1	BALL BEARING, 6002DDU	
3	S11922000	1	BALL BEARING, 6003DDU	
4	S24702000	1	BALL BEARING, 6304DDU	
5	S24703001	1	BALL BEARING COLLAR	
6	100251001	2	SET SCREW, SM6.35	
7	S11863001	1	BALL BEARING SUPPORT	
8	062401016	3	SCREW, PAN M4X10	
9	048150142	1	RETAINING RING, C15	
10	048320242	1	RETAINING RING, C32	
11	S43396001	1	THREAD TAKE-UP CRANK ASSY	
11-1	S43397000	1	THREAD TAKE-UP CRANK	
11-2	014770622	2	SET SCREW, SOCKET (CP) SM6.35	
12	104464001	1	SCREW, SM7.14	
13	014771022	1	SET SCREW, SOCKET (CP) SM6.35	
14	S46219001	1	THREAD TAKE-UP LEVER SET	
14-1	145465001	1	SCREW, SM3.57 L	
14-2	140004001	1	SCREW, SM3.57	
14-3	158727001	1	WICK, 4X4 L=27	
15	013781012	1	SET SCREW, (CP) SM6.35	
16	110367001	1	WASHER, PLAIN SPECIAL 8	
17	105077000	1	WASHER	
18	S24704001	1	NEEDLE BAR	
19	151594001	1	THREAD GUIDE, NEEDLE BAR	
20	S11864022	1	NEEDLE, NM140	
21	140553102	1	SET SCREW, SM3.18	
22	S24706001	1	NEEDLE BAR BRACKET ASSY	
22-1	159624001	1	SLIDE BLOCK, N-BAR BRACKET	
23	S24708001	1	SUPPORT SHAFT	
24	142628001	1	SPACER	
25	013781012	2	SET SCREW, (CP) SM6.35	
26	158889001	1	NEEDLE BAR BRACKET GUIDE	
27	013781012	2	SET SCREW, (CP) SM6.35	
28	159744100	1	UPPER TIMING PULLEY ASSY	
29	014760622	4	SET SCREW, SOCKET SM5.95	
30	158906101	1	IDLER PULLEY ASSY	
30-1	158907001	1	IDLER PULLEY	
30-2	S35766001	2	BALL BEARING, 6202 2RU	
30-3	048350242	2	RETAINING RING, C35	
30-4	048150142	1	RETAINING RING, C15	
30-5	158908001	1	IDLER PULLEY ARM	
31	158909001	1	NUT, SM12.7 (LEFT)	
32	025900232	1	WASHER, PLAIN M 12.70	
33	S24711000	1	TIMING BELT	
20	S11864018	1	NEEDLE, NM110	
20	S11864019	1	NEEDLE, NM120	
20	S11864021	1	NEEDLE, NM130	
			“ OPTION PARTS “	

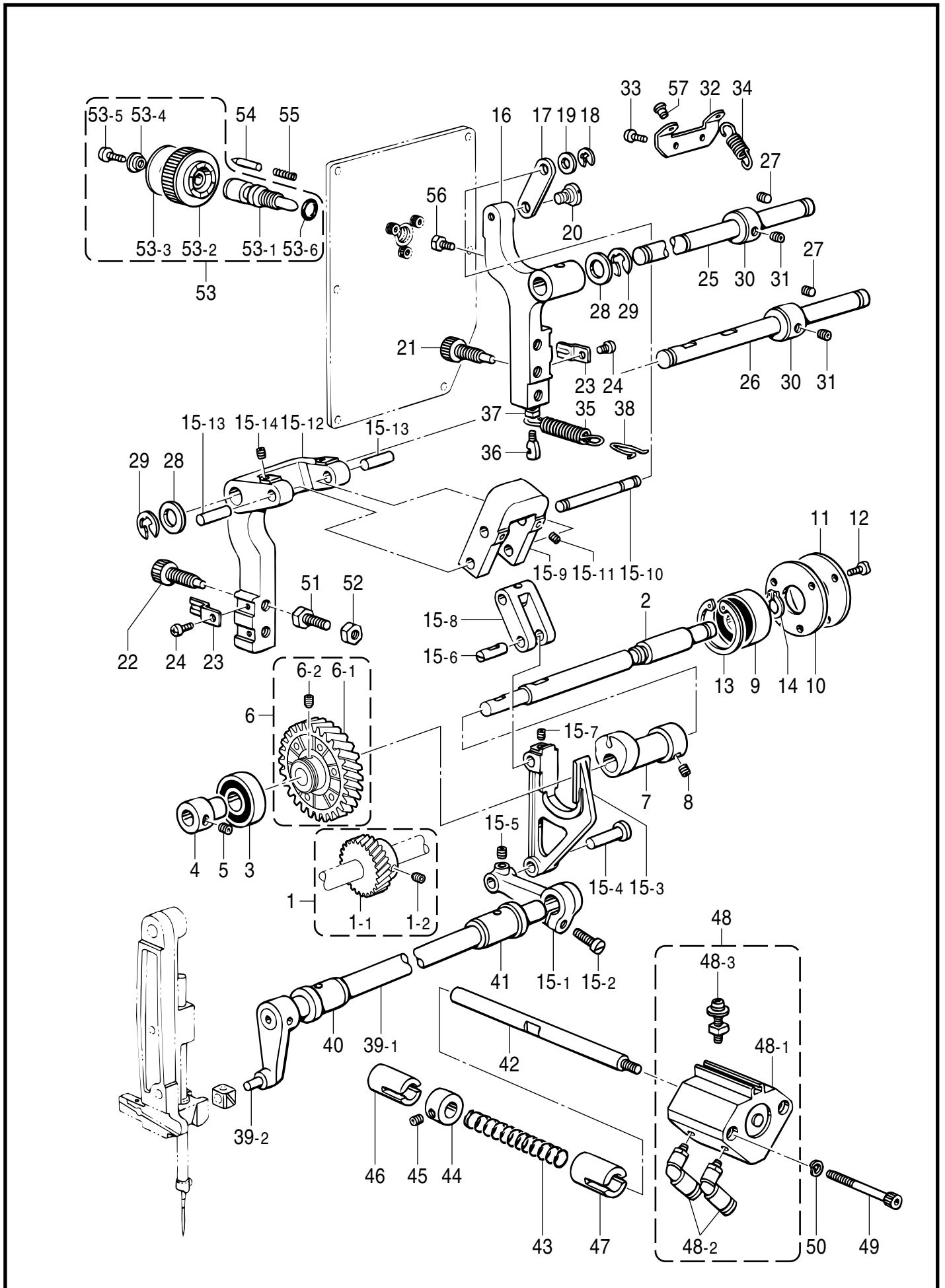
C. 針振關係
 C. Zigzag mechanism



C. Zigzag mechanism

REF.NO.	CODE	QTY	NAME OF PARTS	RM
1	183702051	1	REDUCTION GEAR ASSY	
1-1	141309001	1	REDUCTION GEAR	
1-2	014770622	2	SET SCREW, SOCKET (CP) SM6.35	
2	S24712001	1	SUB SHAFT	
3	S11922000	1	BALL BEARING, 6003DDU	
4	S24713001	1	COLLAR, B-BEARING	
5	014770622	2	SET SCREW, SOCKET (CP) SM6.35	
6	183707101	1	AUXILIARY SHAFT GEAR ASSY	
6-1	S38642001	1	AUXILIARY SHAFT GEAR	
6-2	014770622	2	SET SCREW, SOCKET (CP) SM6.35	
7	S24714001	1	ZIGZAG CAM	
8	014770622	2	SET SCREW, SOCKET (CP) SM6.35	
9	072630140	1	BALL BEARING, 6301DDU	
10	S24715001	1	SUPPORT, B-BEARING	
11	S24746009	1	BALL BEARING COVER	
12	105176001	3	SCREW, SM4.37	
13	048370242	1	RETAINING RING, C37	
14	048120142	1	RETAINING RING, C12	
15	S24716001	1	ZIGZAG ADJUSTING CAM ASSY	
15-1	158947001	1	ZIGZAG ADJUSTING LEVER, R	
15-2	S01304001	1	SCREW, SM6.35X18	
15-3	158920001	1	ZIGZAG ADJUSTING FORK	
15-4	158921001	1	ZIGZAG ADJUSTING FORK SHAFT	
15-5	014770622	1	SET SCREW, SOCKET (CP) SM6.35	
15-6	158922001	1	PIN	
15-7	014680622	1	SET SCREW, SOCKET (CP) SM4.37	
15-8	158923001	1	ZIGZAG ADJUSTING LINK	
15-9	158924001	1	LINK	
15-10	158925001	1	ZIGZAG ADJUSTING SHAFT	
15-11	014680622	2	SET SCREW, SOCKET (CP) SM4.37	
15-12	S24717000	1	ADJUSTING ARM	
15-13	158927001	2	FULCRUM SHAFT	
15-14	014680622	2	SET SCREW, SOCKET (CP) SM4.37	
16	S24718000	1	ZIGZAG ADJUSTING ARM	
17	158926001	1	ZIGZAG ADJUSTING LINK	
18	048050342	1	RETAINING RING, E5	
19	153138001	1	WASHER, PLAIN 6.5	
20	145480101	1	SHOULDER SCREW, SM6.35	
21	158930001	1	ADJUSTING SCREW	
22	159906001	1	ADJUSTING SCREW	
23	158931001	2	ADJUSTING SCREW PRESSER	
24	062680512	2	SCREW, PAN SM4.37-40X5	
25	158929001	1	ADJUSTING ARM SHAFT, A	
26	158933001	1	ADJUSTING ARM SHAFT, B	
27	014760622	2	SET SCREW, SOCKET SM5.95	
28	115007001	2	WASHER, PLAIN 13	
29	146293001	2	RETAINING RING, E10	
30	117671002	2	SET SCREW COLLAR	
31	014770622	4	SET SCREW, SOCKET (CP) SM6.35	
32	159426001	1	SPRING HOOK	
33	062681012	2	SCREW, PAN SM4.37-40X10	
34	158935001	1	SPRING, A	
35	143609001	1	FEED REGULATOR SPRING	
36	141334001	1	SPRING HOOK	
37	100022005	1	NUT, SM5.95	
38	158940001	1	SPRING HOOK	
39	S24719001	1	ZIGZAG LEVER ASSY, F	
39-1	S24720001	1	ZIGZAG LEVER SHAFT	
39-2	159625001	1	STUD	

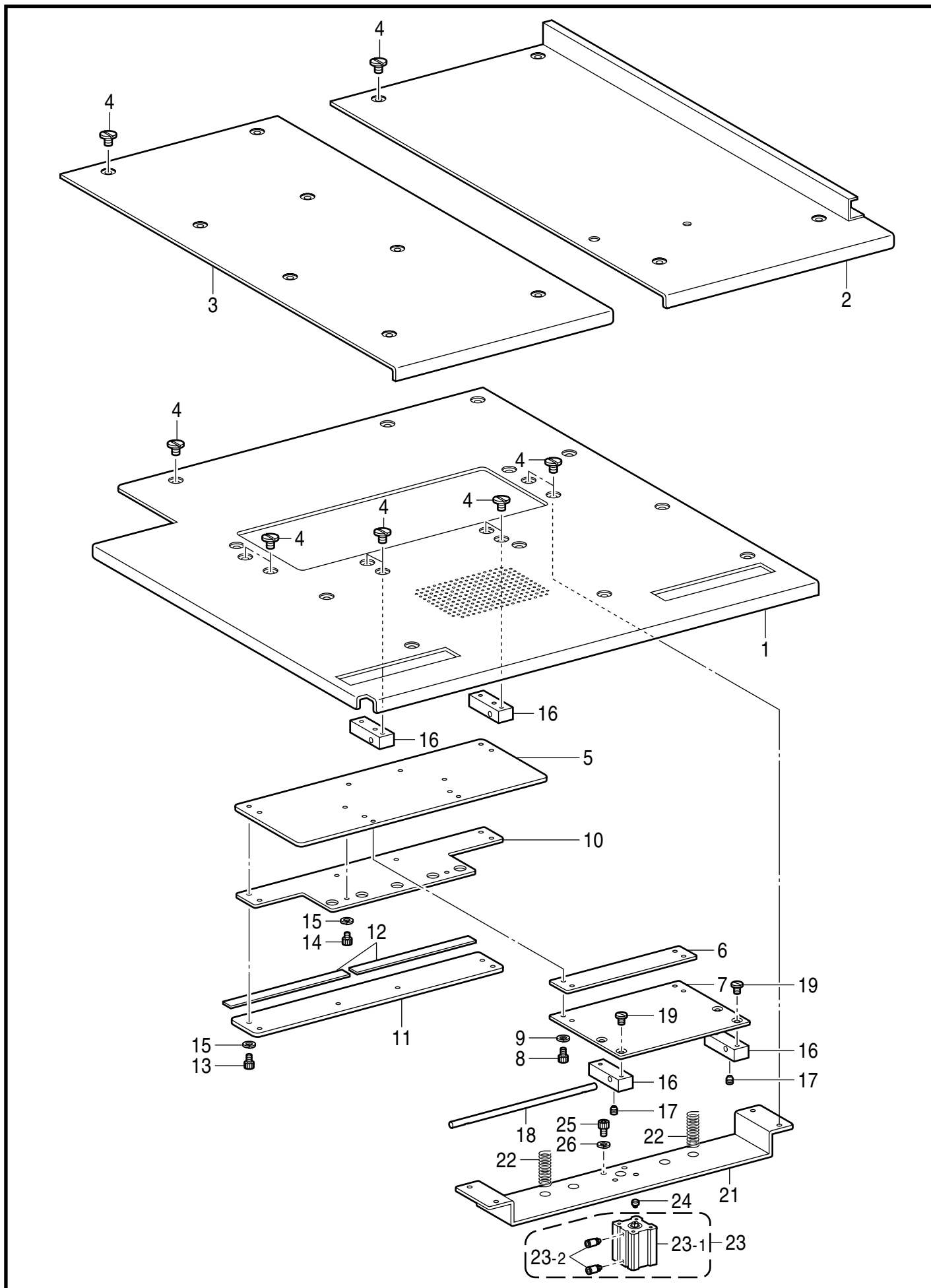
C. 針振關係
 C. Zigzag mechanism



C. Zigzag mechanism

REF.NO.	CODE	QTY	NAME OF PARTS	RM
40	S24721000	1	ZIGZAG LEVER SHAFT BUSH, F	
41	158946001	1	ZIGZAG LEVER SHAFT BUSH, R	
42	S24722001	1	ZIGZAG CONNCTING SHAFT	
43	S24723001	1	SPRING	
44	146581001	1	SET SCREW COLLAR	
45	014760622	2	SET SCREW, SOCKET SM5.95	
46	S24724000	1	ZIGZAG ADJUSTING BAR BUSH, S	
47	S24725000	1	ZIGZAG ADJUSTING BAR BUSH, L	
48	S24726000	1	ZIGZAG CYLINDER ASSY	
48-1	S24727000	1	ZIGZAG CYLINDER	
48-2	S11426000	2	ELBOW UNION, 4M5	
48-3	S24728000	1	SWITCH TABLE ANGLE	
49	S24729000	2	BOLT, CQ2 M5X45	
50	028050246	2	WASHER, SPRING 2-5	
51	017771412	1	BOLT, SM6.35X14	
52	150554002	1	NUT, SM6.35	
53	S24731009	1	ZIGZAG DIAL ASSY	
53-1	S06999001	1	ADJUSTING SCREW	
53-2	129500010	1	STITCH LENGTH CONTROL DIAL	
53-3	S24732009	1	ZIGZAG DIAL	
53-4	142746002	1	SUPPORT PLATE	
53-5	129458102	1	SCREW, SM4.76	
53-6	108549001	1	O RING	
54	145502001	1	POSITIONING PIN	
55	100328001	1	SPRING	
56	151276001	1	BOLT, SM3.57	
57	111865009	1	CAP, 6	

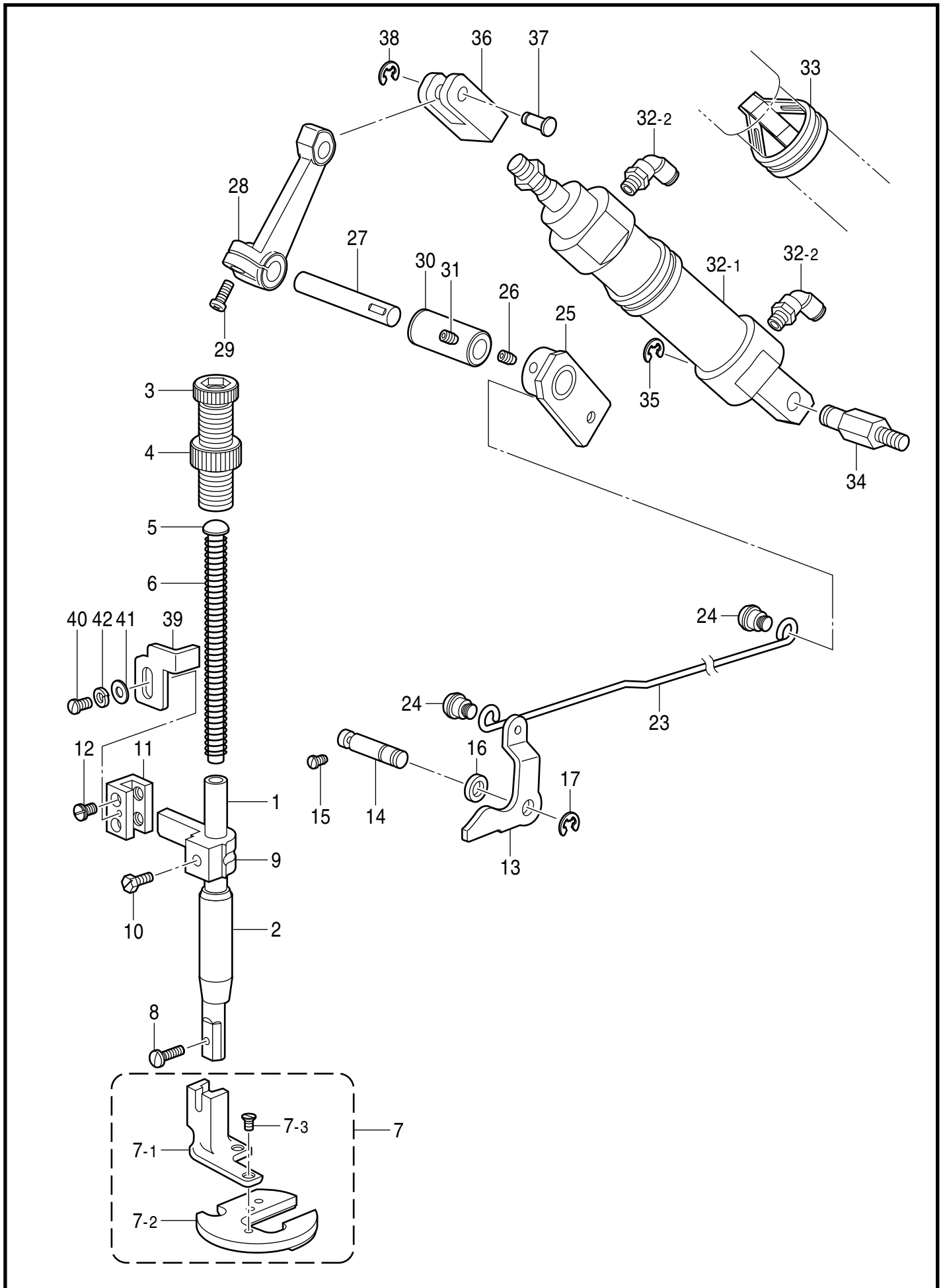
D . 針板關係
D . Needle plate mechanism



D. Needle plate mechanism

REF.NO.	CODE	QTY	NAME OF PARTS	RM
1	S45703000	1	SLIDE PLATE, L	
2	S45704000	1	SLIDE PLATE, RR	
3	S45705000	1	SLIDE PLATE, RL	
4	105191003	32	SCREW, SM4.37	
5	S45706000	1	SLIDE PLATE, A	
6	S45707000	1	SPACER, D	
7	S45708000	1	SLIDE PLATE, B	
8	018400836	4	BOLT, SOCKET M4X8	
9	028040246	4	WASHER, SPRING 2-4	
10	S45709000	1	SPACER, U	
11	S45710000	1	STOPPER	
12	S46228000	2	SPONGE	
13	018400836	6	BOLT, SOCKET M4X8	
14	018400636	2	BOLT, SOCKET M4X6	
15	028040246	8	WASHER, SPRING 2-4	
16	S46221001	4	SHAFT SUPPORT	
17	012500536	2	SET SCREW, SOCKET (FT) M5X5	
18	S46223001	1	SHAFT	
19	105191003	4	SCREW, SM4.37	
21	S46224001	1	SUPPORT PLATE	
22	S46225001	2	SPRING, S COMPRESSION	
23	S46226000	1	CYLINDER ASSY, 16X20	
23-1	S46227000	1	CYLINDER, 16X20	
23-2	S04905000	2	HALF UNION	
24	S20412000	1	RUBBER CAP, 3.7	
25	018400836	4	BOLT, SOCKET M4X8	
26	028040246	4	WASHER, SPRING 2-4	

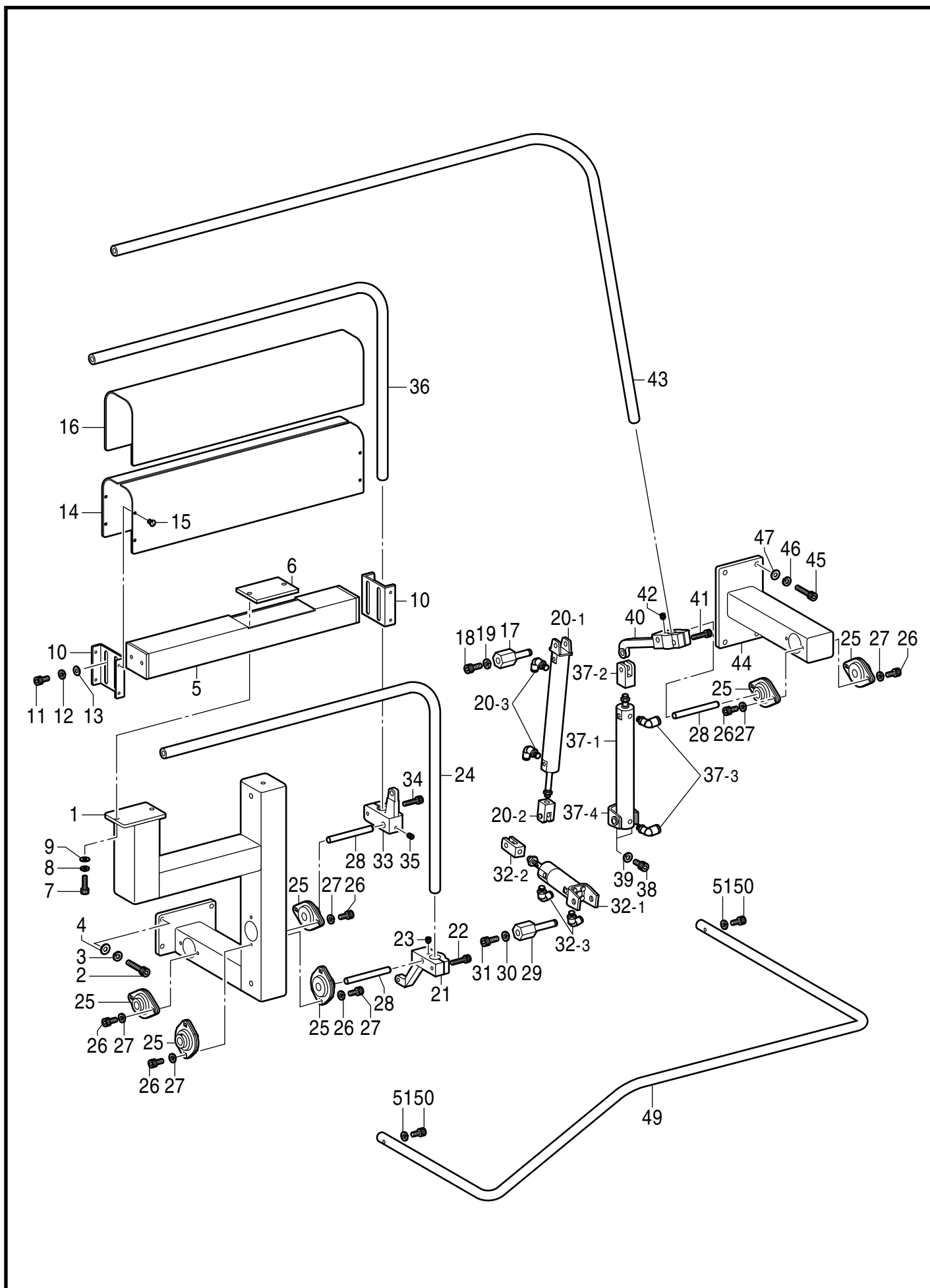
E . 押工関係
E . Presser foot mechanism



E. Presser foot mechanism

REF.NO.	CODE	QTY	NAME OF PARTS	RM
1	111466101	1	PRESSER BAR	
2	145472001	1	BUSH, PRESSER BAR	
3	S31012001	1	ADJUSTING SCREW, PRESSER	
4	S31013001	1	ADJUSTING NUT, PRESSER	
5	S24740001	1	SPRING GUIDE	
6	S24741001	1	SPRING	
7	S24742101	1	WORK CLAMP ASSY	
7-1	S24743001	1	WORK CLAMP	
7-2	S24744100	1	WORK CLAMP PLATE	
7-3	102843004	2	SCREW, FLAT SM3.57	
8	S13385001	1	SCREW, SM3.57X10	
9	S24745000	1	GUIDE BRACKET, P-BAR	
10	142403001	1	BOLT, SM5.95	
11	S11871101	1	GUIDE BRACKET, P-BAR	
12	S11872001	2	SCREW, M4	
13	145580001	1	PRESSER BAR LIFTER LEVER	
14	S46734001	1	SHAFT, P-BAR LIFTER LEVER	
15	S01998001	1	SET SCREW, SM3.57	
16	S02302001	1	SPACER	
17	048040342	1	RETAINING RING, E4	
23	S24748101	1	W-CLAMP LIFTER CONNECTING ROD	
24	145478101	2	SHOULDER SCREW, SOCKET SM4.76	
25	S11874001	1	WORK CLAMP LIFTER ARM	
26	014770622	2	SET SCREW, SOCKET (CP) SM6.35	
27	S24749001	1	SHAFT	
28	S11876001	1	LEVER	
29	062711412	1	SCREW, PAN SM4.76-32X14	
30	146629000	1	LEVER SHAFT BUSH, L	
31	014500522	1	SET SCREW, SOCKET (CP) M5	
32	S24751000	1	W-CLAMP LIFTER CYLINDER ASSY	
32-1	S24752000	1	WORK CLAMP LIFTER CYLINDER	
32-2	S04909000	2	ELBOW UNION	
33	S11880000	1	SETTING BRACKET, 20	
34	S11881001	1	CYLINDER SUPPORT	
35	048070342	1	RETAINING RING, E7	
36	S11882009	1	CYLINDER JOINT	
37	146153001	1	PIN	
38	048040342	1	RETAINING RING, E4	
39	S20816001	1	STOPPER	
40	100257010	1	SCREW, SM3.57X6	
41	025350132	1	WASHER, PLAIN S 3.5	
42	028350242	1	WASHER, SPRING 2-3.5	

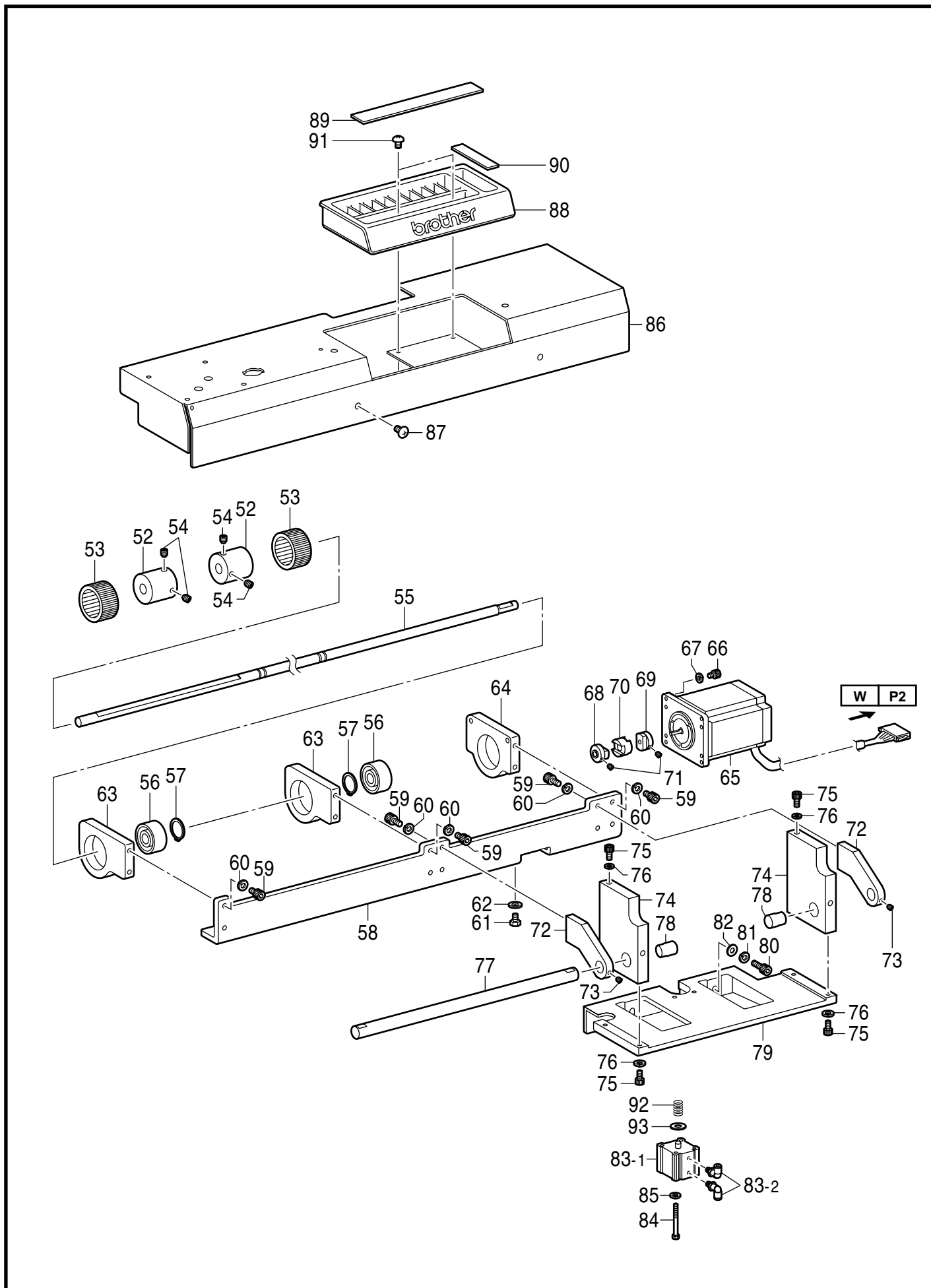
F1 . スタッカー関係
F1 . Stacker mechanism



F1. Stacker mechanism

REF.NO.	CODE	QTY	NAME OF PARTS	RM
1	S46233001	1	STACKER BASE	
2	018082536	3	BOLT, SOCKET M8X25	
3	028080246	3	WASHER, SPRING 2-8	
4	025080236	3	WASHER, PLAIN M 8	
5	S46272001	1	SLIDE BAR, STACKER	
6	S46273001	1	HOLDER, SLIDE BAR	
7	018062536	2	BOLT, SOCKET M6X25	
8	028060246	2	WASHER, SPRING 2-6	
9	025060236	2	WASHER, PLAIN M 6	
10	S46234001	2	STACKER BRACKET	
11	018061036	4	BOLT, SOCKET M6X10	
12	028060246	4	WASHER, SPRING 2-6	
13	025060236	4	WASHER, PLAIN M 6	
14	S46235001	2	STACKER BASE	
15	117160001	8	SCREW, FLAT SM4.37	
16	S46236000	1	RUBBER, TABLE	
17	S46237001	1	CLEVIS SHAFT, 1	
18	018081236	1	BOLT, SOCKET M8X12	
19	028080246	1	WASHER, SPRING 2-8	
20	S11986000	1	CYLINDER ASSY, C-20X150	
20-1	S11987000	1	CYLINDER, C-20X150	
20-2	S11988000	1	KNUCKLE JOINT, 2	
20-3	S11426000	2	ELBOW UNION, 4M5	
21	S11989009	1	LEVER, 1	
22	018062536	1	BOLT, SOCKET M6X25	
23	014060632	1	SET SCREW, SOCKET (CP) M6X6	
24	S46244001	1	CLAMP BAR, OUTER	
25	S11996000	6	FLANGE TYPE UNIT, 1	
26	018061236	12	BOLT, SOCKET M6X12	
27	028060246	12	WASHER, SPRING 2-6	
28	S46238001	3	SHAFT	
29	S46239001	1	CLEVIS SHAFT, 2	
30	018081236	1	BOLT, SOCKET M8X12	
31	028080246	1	WASHER, SPRING 2-8	
32	S46240000	1	CYLINDER ASSY, 25X25	
32-1	S46241000	1	CYLINDER, 25X25	
32-2	S11994000	1	KNUCKLE JOINT, 1	
32-3	S11426000	2	ELBOW UNION, 4M5	
33	S46242001	1	LEVER, 3	
34	018062536	1	BOLT, SOCKET M6X25	
35	014060632	1	SET SCREW, SOCKET (CP) M6X6	
36	S46243001	1	CLAMP BAR, INNER	
37	S46246000	1	CYLINDER ASSY, 25X200	
37-1	S46247000	1	CYLINDER, 25X200	
37-2	S11994000	1	KNUCKLE JOINT, 1	
37-3	S11426000	2	ELBOW UNION, 4M5	
37-4	S12139000	1	ROCK SUPPORT BRACKET, 1	
38	018501036	4	BOLT, SOCKET M5X10	
39	028050246	4	WASHER, SPRING 2-5	
40	S11998009	1	LEVER, 2	
41	018062536	1	BOLT, SOCKET M6X25	
42	014060632	1	SET SCREW, SOCKET (CP) M6X6	
43	S46248001	1	WIPER SHAFT, CLOTH	
44	S46245001	1	WIPER BASE, CLOTH	
45	018062036	4	BOLT, SOCKET M6X20	
46	028060246	4	WASHER, SPRING 2-6	
47	025060236	4	WASHER, PLAIN M 6	
49	S24760009	1	STACKER GUARD	
50	018501236	2	BOLT, SOCKET M5X12	
51	028050246	2	WASHER, SPRING 2-5	

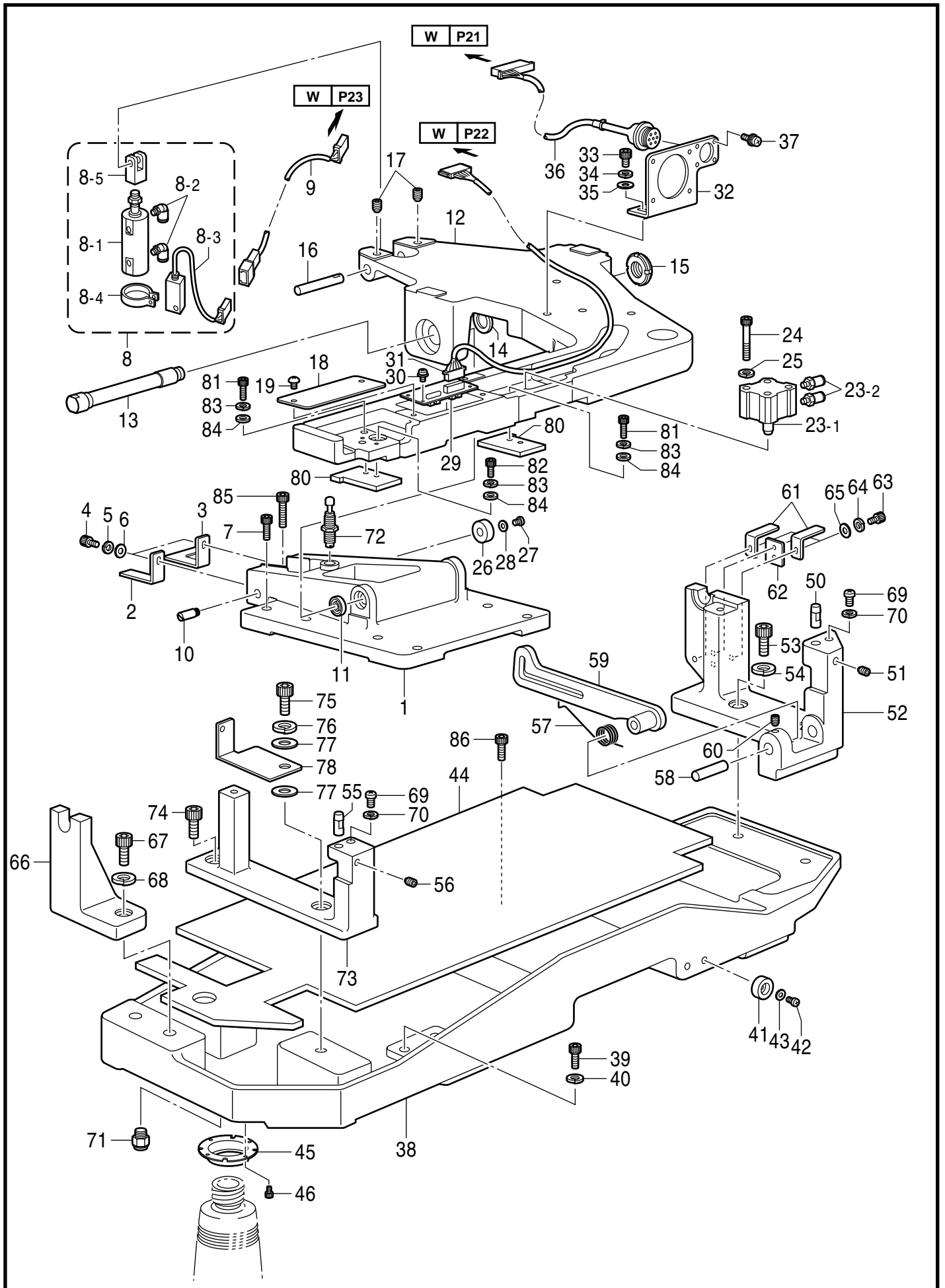
F2 . スタッカー関係
 F2 . Stacker mechanism



F2. Stacker mechanism

REF.NO.	CODE	QTY	NAME OF PARTS	RM
52	S46851000	2	ROLLER	
53	S24566000	2	SLEEVE ROLL, 45	
54	014060632	4	SET SCREW, SOCKET (CP) M6X6	
55	S46860001	1	ROLLER SHAFT	
56	076001801	2	BALL BEARING, 6001ZZ	
57	048120142	2	RETAINING RING, C12	
58	S46853001	1	BASE, ROLLER SHAFT	
59	018401036	10	BOLT, SOCKET M4X10	
60	028040246	10	WASHER, SPRING 2-4	
61	017061006	1	BOLT, M6X10	
62	S38033001	1	COLLAR, 13	
63	S46854001	2	HOLDER	
64	S46855001	1	MOTOR PLATE	
65	S41598000	1	PULSE MOTOR ASSY	
66	018401236	2	BOLT, SOCKET M4X12	
67	028040246	2	WASHER, SPRING 2-4	
68	S37942000	1	COUPLING HUB, 8	
69	S37943000	1	COUPLING HUB, 6.35	
70	S37944000	1	COUPLING SPACER	
71	014760622	4	SET SCREW, SOCKET SM5.95	
72	S46856001	2	ARM, BASE	
73	014060632	2	SET SCREW, SOCKET (CP) M6X6	
74	S46857001	2	F-PLATE	
75	018401236	4	BOLT, SOCKET M4X12	
76	028040246	4	WASHER, SPRING 2-4	
77	S46858001	1	FULCRUM SHAFT, ROLLER	
78	S08332000	2	BUSH, BM1212FB	
79	S12000009	1	ROLLER BASE	
80	018062036	2	BOLT, SOCKET M6X20	
81	028060246	2	WASHER, SPRING 2-6	
82	025060236	2	WASHER, PLAIN M 6	
83	S12030000	1	CYLINDER ASSY, 20X15	
83-1	S12031000	1	CYLINDER, 20X15	
83-2	S11426000	2	ELBOW UNION, 4M5	
84	S12276000	2	BOLT, CQ2 M5X35	
85	028050246	2	WASHER, SPRING 2-5	
86	S46859001	1	STACKER COVER	
87	008400604	4	SCREW, TRUSS M4X6	
88	S02738009	1	ACCESSORY CASE	
89	S02739000	1	RUBBER MAGNET TAPE	
90	S02740000	1	FELT	
91	008400604	2	SCREW, TRUSS M4X6	
92	S02667001	1	SPRING	
93	025100132	1	WASHER, PLAIN S 10	

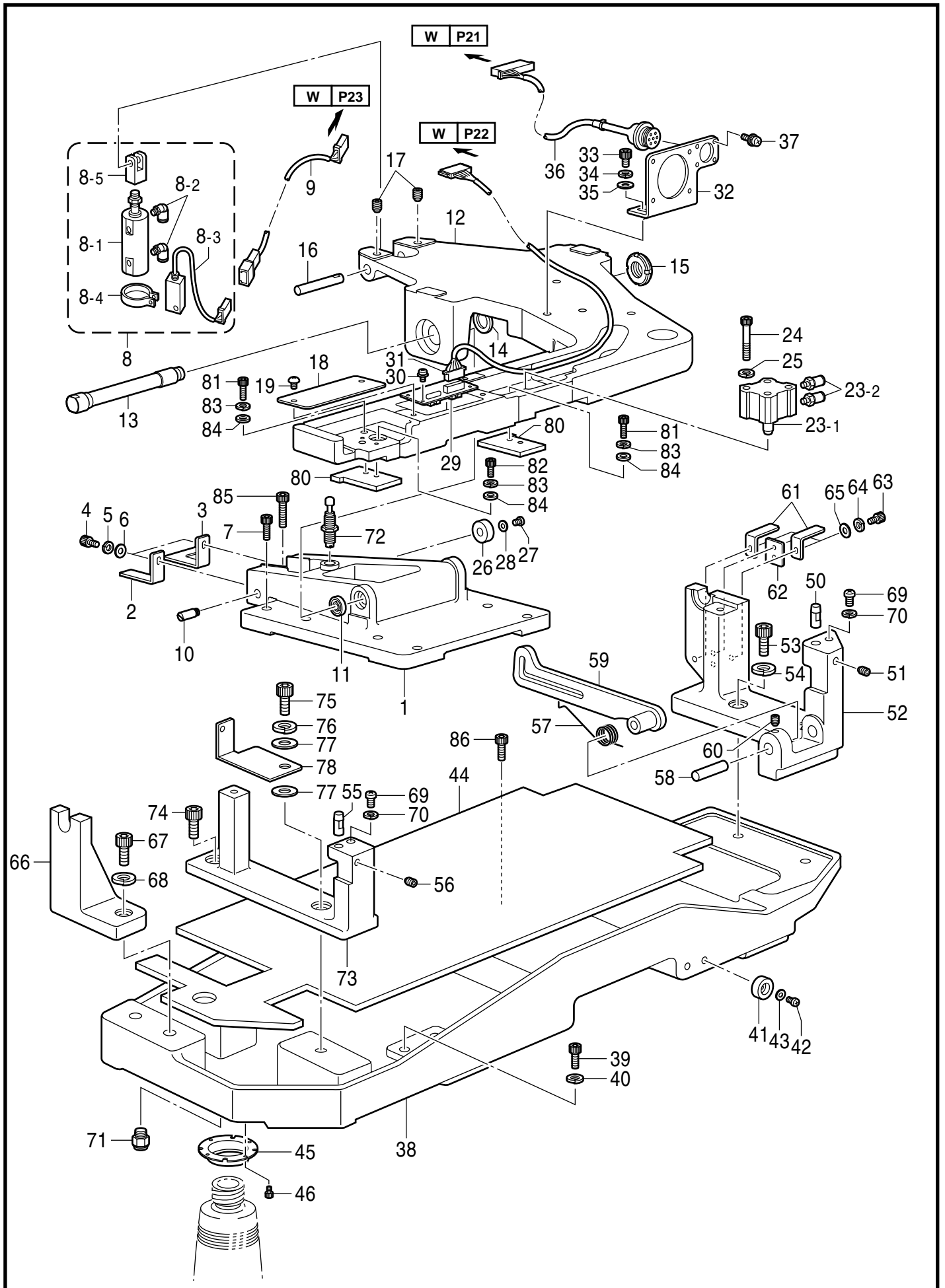
G . 駆動側送り関係
 G . Feed guide mechanism



G. Feed guide mechanism

REF.NO.	CODE	QTY	NAME OF PARTS	RM
1	S46165101	1	FEED BRACKET	
2	S46186001	1	SENSOR DOG, A	
3	S46193001	1	SENSOR DOG, B	
4	018400836	2	BOLT, SOCKET M4X8	
5	028040246	2	WASHER, SPRING 2-4	
6	025040236	2	WASHER, PLAIN M 4	
7	018401636	8	BOLT, SOCKET M4X16	
8	S46318001	1	CYLINDER ASSY	
8-1	S46319000	1	CYLINDER, 32X10	
8-2	S01542000	2	ELBOW UNION, 61	
8-3	S46584000	1	SENSOR, CLAMP CYLINDER	
8-4	S46320000	1	SWITCH SETTING BRACKET, 32	
8-5	S46321001	1	JOINT	
9	S46585000	1	SENSOR HARNESS, CLAMP	
10	S46190001	2	PIN	
11	S46209000	2	BALL BEARING, ANGULAR 15	
12	S46166101	1	CLAMP ARM	
13	S46182001	1	FULCRUM SHAFT, C-ARM	
14	151953001	2	WASHER, THRUST 16	
15	S16887001	1	NUT, U AN01	
16	S46183001	1	FULCRUM SHAFT	
17	012060636	2	SET SCREW, SOCKET (FT) M6X6	
18	S47339001	1	SENSOR COVER, JIG	
19	008400604	2	SCREW, TRUSS M4X6	
23	S12051000	2	LOCK CYLINDER ASSY, A	
23-1	S12052000	2	LOCK CYLINDER	
23-2	S11433000	4	HOSE NIPPLE, 4M5	
24	S12053000	8	BOLT, CQ2 M3X25	
25	028030246	8	WASHER, SPRING 2-3	
26	S12054000	2	CUSHION	
27	062400806	2	SCREW, PAN M4X8	
28	025040236	2	WASHER, PLAIN M 4	
29	S46586001	1	SENSOR PCB ASSY, PATTERN	
30	0A4300606	4	SCREW, PAN (S/P WASHER) M3X6	
31	S46588000	1	PATTERN HARNESS, JIG	
32	S47237001	1	SETTING BRACKET	
33	018400836	2	BOLT, SOCKET M4X8	
34	028040246	2	WASHER, SPRING 2-4	
35	025040236	2	WASHER, PLAIN M 4	
36	S46589000	1	SENSOR HARNESS, A-2	
37	0A4300606	4	SCREW, PAN (S/P WASHER) M3X6	
38	S46187000	1	HOLDER, HEAD	
39	018501636	16	BOLT, SOCKET M5X16	
40	028050246	16	WASHER, SPRING 2-5	
41	S12054000	2	CUSHION	
42	062400806	2	SCREW, PAN M4X8	
43	025040236	2	WASHER, PLAIN M 4	
44	S24763100	1	FELT	
45	153230101	1	DRAIN	
46	018300836	4	BOLT, SOCKET M3X8	
50	S12060001	1	POSITIONING PIN	
51	012500536	1	SET SCREW, SOCKET (FT) M5X5	
52	S24765101	1	HEAD SUPPORT BASE, R	
53	018082036	2	BOLT, SOCKET M8X20	
54	028080246	2	WASHER, SPRING 2-8	
55	S12060001	1	POSITIONING PIN	
56	012500536	1	SET SCREW, SOCKET (FT) M5X5	
57	152859001	1	SPRING	
58	152858001	1	HEAD SUPPORT LEVER SHAFT	

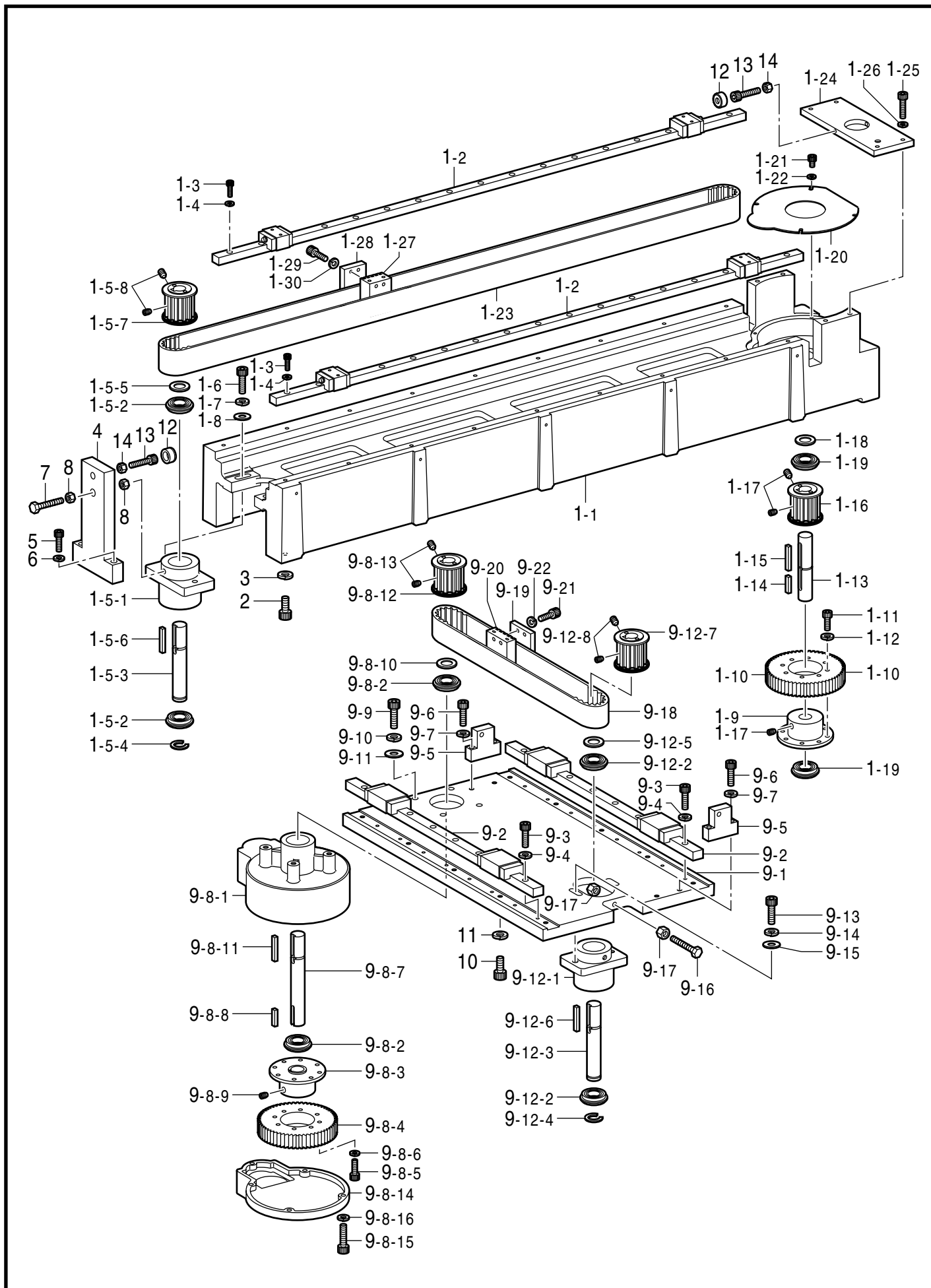
G . 駆動側送り関係
 G . Feed guide mechanism



G. Feed guide mechanism

REF.NO.	CODE	QTY	NAME OF PARTS	RM
59	S24766001	1	HEAD SUPPORT LEVER	
60	012400436	1	SET SCREW, SOCKET (FT) M4X4	
61	S46186001	2	SENSOR DOG, A	
62	S47340001	1	BLOCK, Y-SENSOR DOG	
63	018400836	4	BOLT, SOCKET M4X8	
64	028040246	4	WASHER, SPRING 2-4	
65	025040236	4	WASHER, PLAIN M 4	
66	S12062101	1	HEAD SUPPORT	
67	018082036	2	BOLT, SOCKET M8X20	
68	028080246	2	WASHER, SPRING 2-8	
69	062762012	4	SCREW, PAN SM5.95-28X20	
70	028060242	4	WASHER, SPRING 2-6	
71	S01522000	1	HALF UNION	
72	S14874000	1	SHOCK ABSORBER	
73	S24764001	1	HEAD SUPPORT BASE, L	
74	018082036	1	BOLT, SOCKET M8X20	
75	018082536	1	BOLT, SOCKET M8X25	
76	028080246	2	WASHER, SPRING 2-8	
77	025080236	2	WASHER, PLAIN M 8	
78	S36878001	1	BRACKET	
80	S31820001	2	BLOCK SUPPORT	
81	018502036	3	BOLT, SOCKET M5X20	
82	018501236	1	BOLT, SOCKET M5X12	
83	028050246	4	WASHER, SPRING 2-5	
84	026050136	3	WASHER, PLAIN S 5	
85	018062536	2	BOLT, SOCKET M6X25	
86	018062036	2	BOLT, SOCKET M6X20	

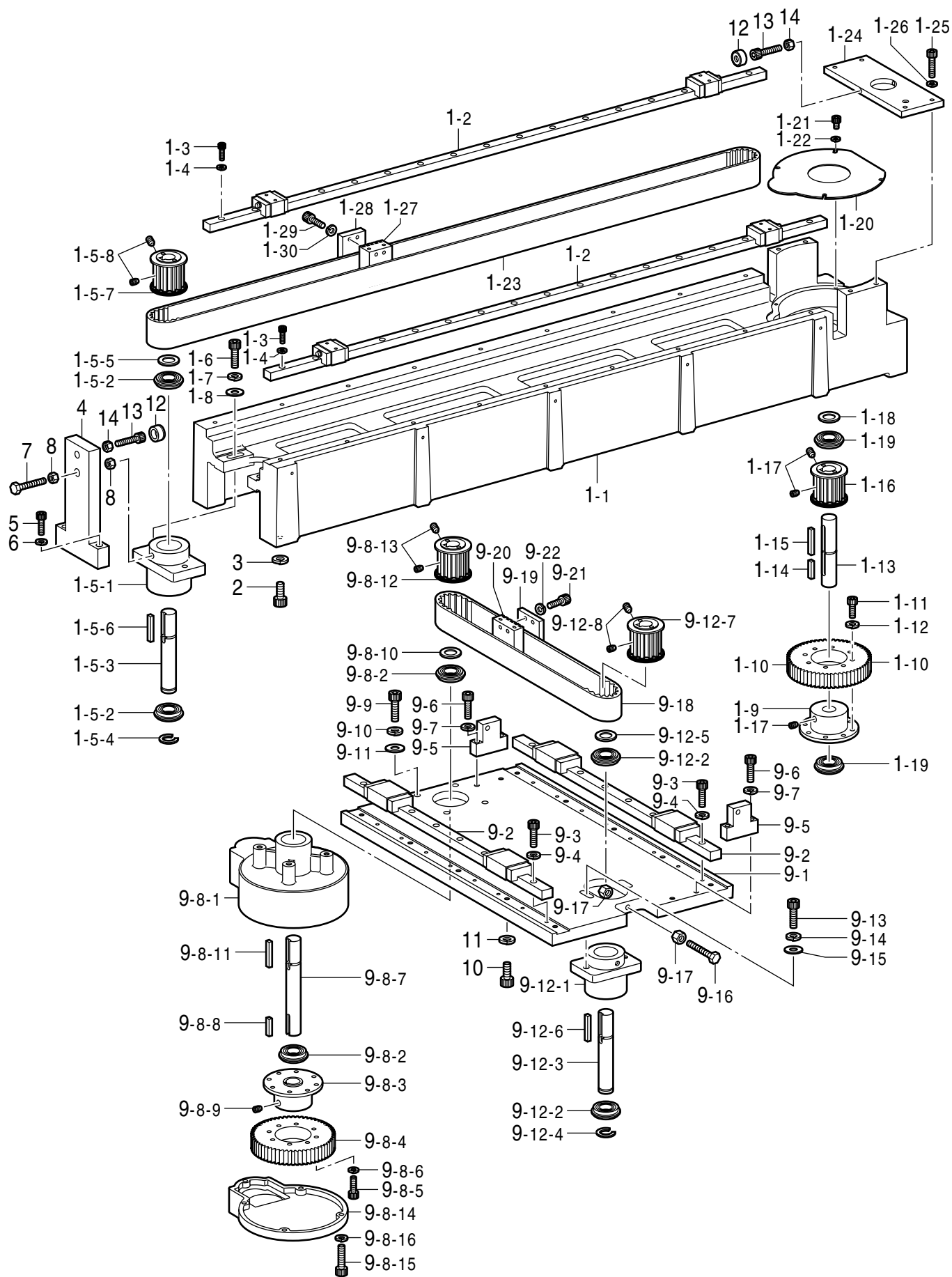
H. 送り案内関係
H. Feed guide mechanism



H. Feed guide mechanism

REF.NO.	CODE	QTY	NAME OF PARTS	RM
1-1	S46164001	1	X-FEED BASE	
1-2	S46194100	2	LINEAR GUIDE, 761-X	
1-3	018401636	18	BOLT, SOCKET M4X16	
1-4	028040246	18	WASHER, SPRING 2-4	
1-5-1	S46163001	1	PULLEY BRACKET	
1-5-2	S46208000	2	BALL BEARING, 6904	
1-5-3	S46172001	1	PULLEY SHAFT, B	
1-5-4	048200142	1	RETAINING RING, C20	
1-5-5	S46191001	1	SPACER	
1-5-6	S46175000	1	KEY, 6X6X43	
1-5-7	S46207001	1	PULLEY	
1-5-8	012060636	2	SET SCREW, SOCKET (FT) M6X6	
1-6	018083036	2	BOLT, SOCKET M8X30	
1-7	028080246	2	WASHER, SPRING 2-8	
1-8	025080236	2	WASHER, PLAIN M 8	
1-9	S46169000	1	HOLDER, G	
1-10	S46170000	1	GEAR	
1-11	018501636	8	BOLT, SOCKET M5X16	
1-12	028050246	8	WASHER, SPRING 2-5	
1-13	S46173001	1	PULLEY SHAFT, C	
1-14	S46174000	1	KEY, 6X6X27	
1-15	S46175000	1	KEY, 6X6X43	
1-16	S46207001	1	PULLEY	
1-17	012060636	4	SET SCREW, SOCKET (FT) M6X6	
1-18	S46191001	1	SPACER	
1-19	S46208000	2	BALL BEARING, 6904	
1-20	S46189001	1	GEAR COVER	
1-21	018400836	4	BOLT, SOCKET M4X8	
1-22	028040246	4	WASHER, SPRING 2-4	
1-23	S46210000	1	TIMING BELT, X	
1-24	S46179001	1	BEARING HOLDER	
1-25	018062536	4	BOLT, SOCKET M6X25	
1-26	028060246	4	WASHER, SPRING 2-6	
1-27	S46180001	1	HOLDER PLATE, A-BELT	
1-28	S46181001	1	HOLDER PLATE, B-BELT	
1-29	018501636	4	BOLT, SOCKET M5X16	
1-30	028050246	4	WASHER, SPRING 2-5	
2	018081636	12	BOLT, SOCKET M8X16	
3	028080246	12	WASHER, SPRING 2-8	
4	S46178001	1	ADJUSTING PLATE, Y-PULLEY	
5	018063036	2	BOLT, SOCKET M6X30	
6	028060246	2	WASHER, SPRING 2-6	
7	S08479001	1	BOLT, M6X50	
8	021060306	2	NUT, 3 M6	
9-1	S46167001	1	Y-FEED BASE	
9-2	S46195100	2	LINEAR GUIDE, 761-Y	
9-3	018501636	16	BOLT, SOCKET M5X16	
9-4	028050246	16	WASHER, SPRING 2-5	
9-5	S46177001	2	X-STOPPER	
9-6	018063036	4	BOLT, SOCKET M6X30	
9-7	028060246	4	WASHER, SPRING 2-6	
9-8-1	S46161001	1	BRACKET, D-PULLEY	
9-8-2	S46208000	2	BALL BEARING, 6904	
9-8-3	S46169000	1	HOLDER, G	
9-8-4	S46170000	1	GEAR	
9-8-5	018501636	8	BOLT, SOCKET M5X16	
9-8-6	028050246	8	WASHER, SPRING 2-5	
9-8-7	S46171001	1	PULLEY SHAFT, A	
9-8-8	S46174000	1	KEY, 6X6X27	

H. 送り案内関係
H. Feed guide mechanism

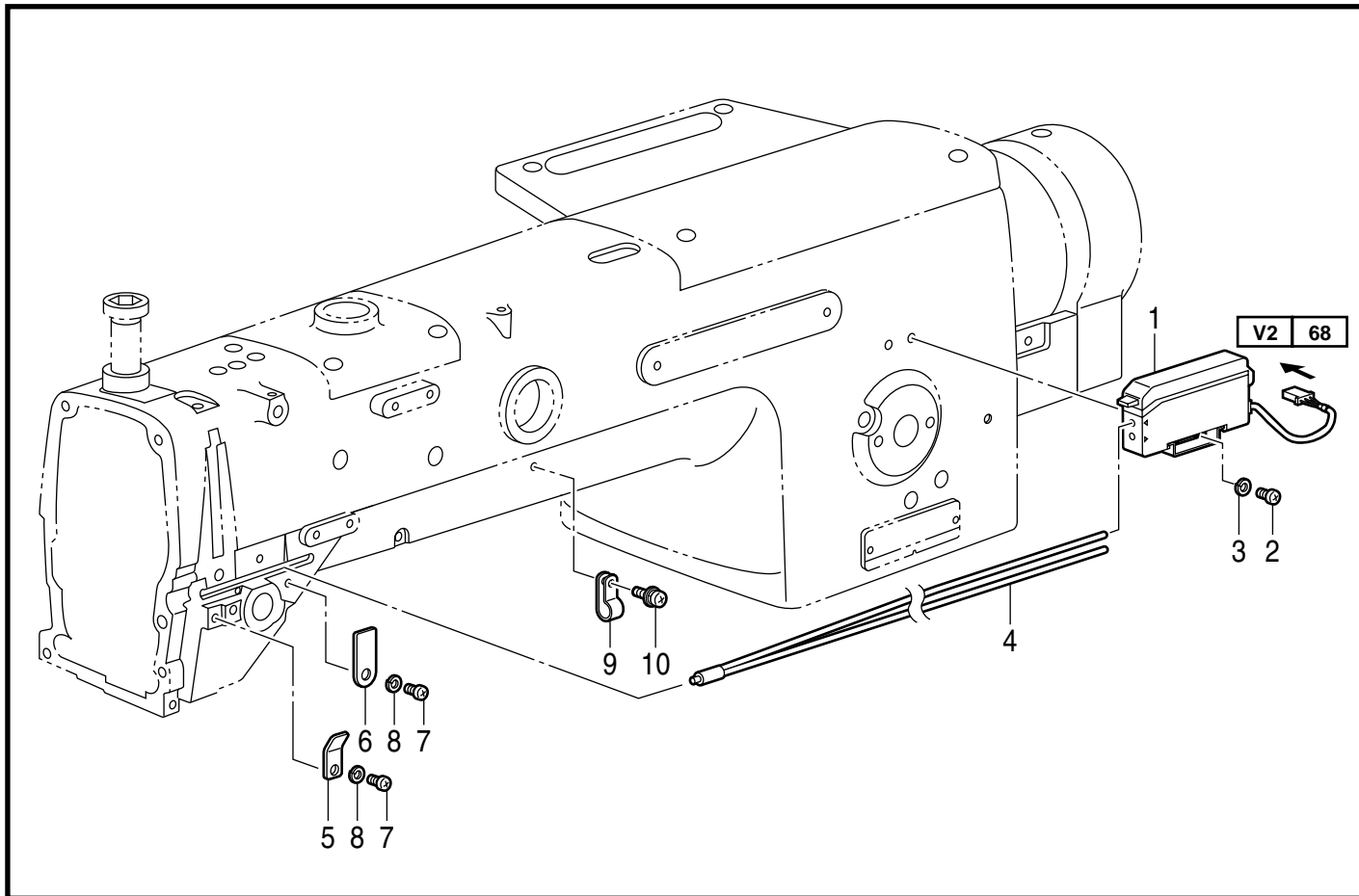


H. Feed guide mechanism

REF.NO.	CODE	QTY	NAME OF PARTS	RM
9-8-9	012060636	2	SET SCREW, SOCKET (FT) M6X6	
9-8-10	S46191001	1	SPACER	
9-8-11	S46175000	1	KEY, 6X6X43	
9-8-12	S46207001	1	PULLEY	
9-8-13	012060636	2	SET SCREW, SOCKET (FT) M6X6	
9-8-14	S46162001	1	MOTOR BRACKET	
9-8-15	018063036	5	BOLT, SOCKET M6X30	
9-8-16	028060246	5	WASHER, SPRING 2-6	
9-9	018083036	4	BOLT, SOCKET M8X30	
9-10	028080246	4	WASHER, SPRING 2-8	
9-11	025080236	4	WASHER, PLAIN M 8	
9-12-1	S46163001	1	PULLEY BRACKET	
9-12-2	S46208000	2	BALL BEARING, 6904	
9-12-3	S46172001	1	PULLEY SHAFT, B	
9-12-4	048200142	1	RETAINING RING, C20	
9-12-5	S46191001	1	SPACER	
9-12-6	S46175000	1	KEY, 6X6X43	
9-12-7	S46207001	1	PULLEY	
9-12-8	012060636	2	SET SCREW, SOCKET (FT) M6X6	
9-13	018083036	2	BOLT, SOCKET M8X30	
9-14	028080246	2	WASHER, SPRING 2-8	
9-15	025080236	2	WASHER, PLAIN M 8	
9-16	S08479001	1	BOLT, M6X50	
9-17	021060306	2	NUT, 3 M6	
9-18	S46211000	1	TIMING BELT, Y	
9-19	S46180001	1	HOLDER PLATE, A-BELT	
9-20	S46181001	1	HOLDER PLATE, B-BELT	
9-21	018501636	4	BOLT, SOCKET M5X16	
9-22	028050246	4	WASHER, SPRING 2-5	
10	018081636	10	BOLT, SOCKET M8X16	
11	028080246	10	WASHER, SPRING 2-8	
12	S08205000	2	CUSHION	
13	018063036	2	BOLT, SOCKET M6X30	
14	021060306	2	NUT, 3 M6	

J. 糸切れ感知関係

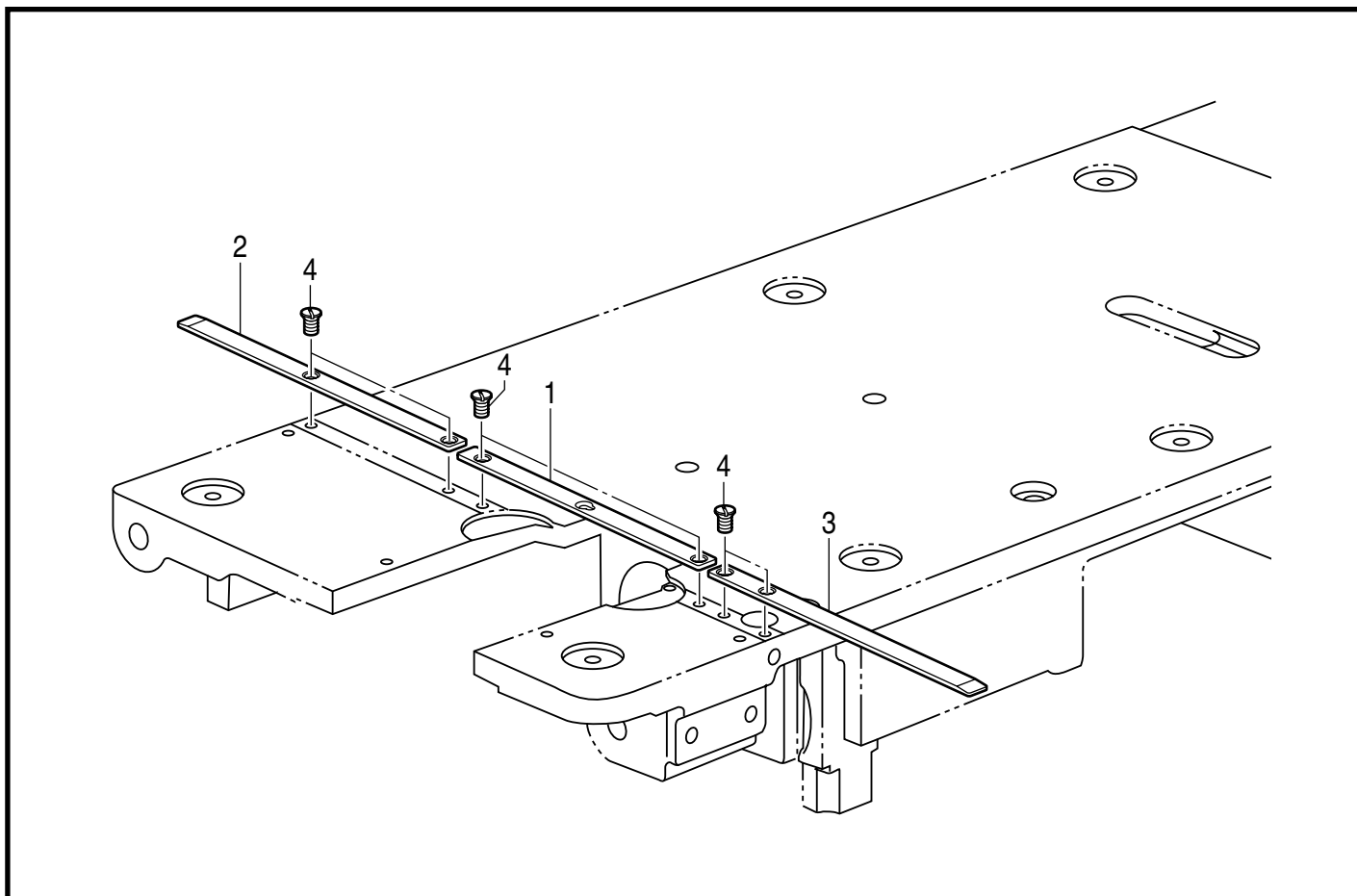
J. Thread breakage detector mechanism



151-761-219

K. ボトム機構

K. Bottom mechanism



151-761-248

J. Thread breakage detector mechanism

REF.NO.	CODE	QTY	NAME OF PARTS	RM
1	S46713000	1	AMPLIFIER UNIT ASSY	
2	062300616	2	SCREW, PAN M3X6	
3	028030246	2	WASHER, SPRING 2-3	
4	S46716000	1	FIBER UNIT	
5	S02657101	1	CORD HOLDER	
6	152937001	1	WASHER	
7	062300616	2	SCREW, PAN M3X6	
8	028030246	2	WASHER, SPRING 2-3	
9	625010000	1	CORD HOLDER, NK-2N	
10	0A5400806	1	SCREW, PAN (S/P WASHER) M4X8	

151-761-219

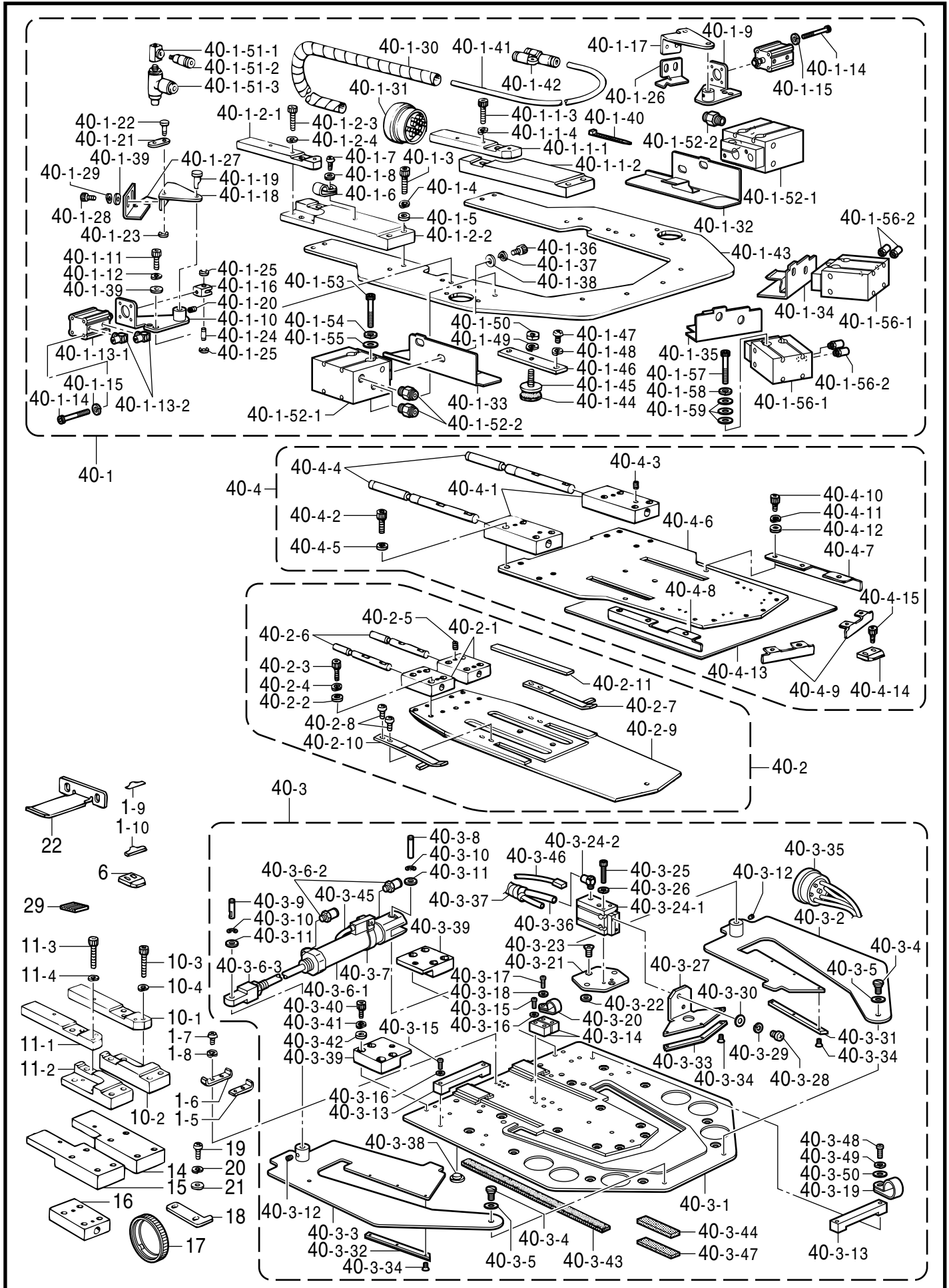
K. Bottom mechanism

REF.NO.	CODE	QTY	NAME OF PARTS	RM
1	S45655001	1	BOTTOM PLUNGER	
2	S45656001	1	BOTTOM PLUNGER, U	
3	S45657001	1	BOTTOM PLUNGER, D	
4	107272002	6	SCREW, FLAT SM4.37	

151-761-248

L1 . 折曲ゲ関係 (オプション部品)

L1 . Folding margin mechanism (Option parts)

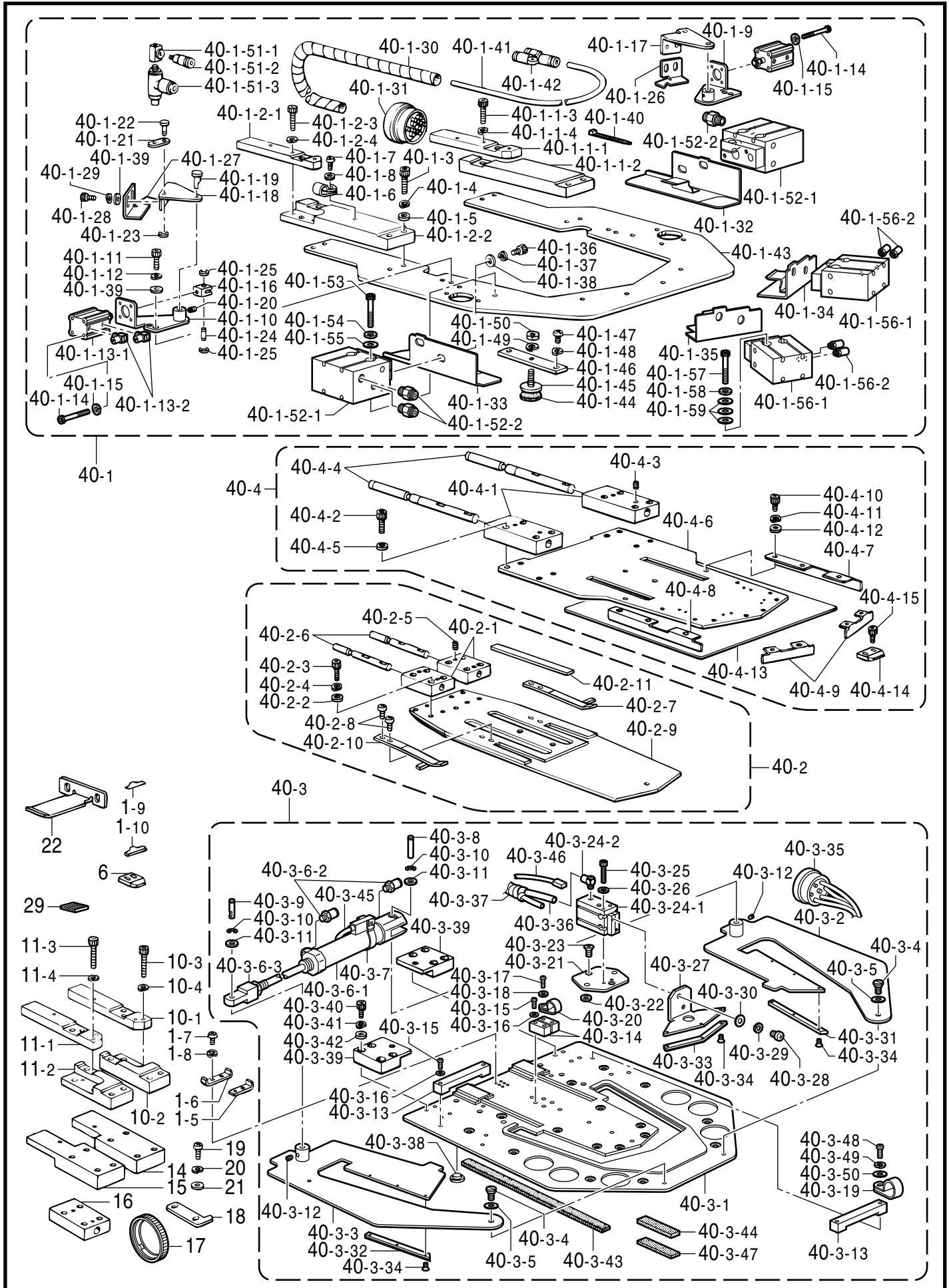


L1. Folding margin mechanism (Option parts)

REF.NO.	CODE	QTY	NAME OF PARTS	RM
6	S12494000	1	FOLDING CLAMP, SMALL	
10	S24888001	1	CONNECTING BLOCK ASSY, R	
10-1	S24460001	1	CONNECTING BLOCK, R-1	
10-2	S24461001	1	CONNECTING BLOCK, R-2	
10-3	018502022	2	BOLT, SOCKET M5X20	
10-4	028050242	2	WASHER, SPRING 2-5	
11	S24889001	1	CONNECTING BLOCK ASSY, L	
11-1	S24458001	1	CONNECTING BLOCK, L-1	
11-2	S24459001	1	CONNECTING BLOCK, L-2	
11-3	018502022	2	BOLT, SOCKET M5X20	
11-4	028050242	2	WASHER, SPRING 2-5	
14	S21121101	1	CONNECTING BLOCK, SSR	
15	S21122001	1	CONNECTING BLOCK, SSL	
16	S21123001	2	CONNECTING BLOCK, S	
17	S24828000	1	CLAMP RING, 12	
18	S24890001	1	POSITIONING PLATE, LABEL	
19	062400616	2	SCREW, PAN M4X6	
20	028040243	2	WASHER, SPRING 2-4	
21	025040233	2	WASHER, PLAIN M 4	
22	S24893000	1	FOLDING BLADE UPPER, J	
40	S43653XXX	1	F-GROUP ASSY, TRIANGLE-J2	
40-1	S43654XXX	1	FOLDING CLAMP ASSY, TRIAN.-J2	
40-1-1	S24886001	1	CONNECTING BLOCK ASSY, SR	
40-1-1-1	S24456001	1	CONNECTING BLOCK, SR-1	
40-1-1-2	S24457001	1	CONNECTING BLOCK, SR-2	
40-1-1-3	018502022	2	BOLT, SOCKET M5X20	
40-1-1-4	028050242	2	WASHER, SPRING 2-5	
40-1-2	S24887001	1	CONNECTING BLOCK ASSY, SL	
40-1-2-1	S24454001	1	CONNECTING BLOCK, SL-1	
40-1-2-2	S24455001	1	CONNECTING BLOCK, SL-2	
40-1-2-3	018502022	2	BOLT, SOCKET M5X20	
40-1-2-4	028050242	2	WASHER, SPRING 2-5	
40-1-3	018502522	8	BOLT, SOCKET M5X25	
40-1-4	028050242	8	WASHER, SPRING 2-5	
40-1-5	S20246001	8	WASHER, PLAIN L 5	
40-1-6	552907000	1	CORD HOLDER, 10N	
40-1-7	062400806	1	SCREW, PAN M4X8	
40-1-8	025040233	1	WASHER, PLAIN M 4	
40-1-9	S33217001	1	TUCKING BASE, RJ-15	
40-1-10	S33218001	1	TUCKING BASE, LJ-15	
40-1-11	018400832	4	BOLT, SOCKET M4X8	
40-1-12	028040242	4	WASHER, SPRING 2-4	
40-1-13	S38889000	2	CYLINDER ASSY, 12X15	
40-1-13-1	S33220000	2	CYLINDER, 12X15	
40-1-13-2	S12150000	4	TUBE ELBOW, M-5HL-4	
40-1-14	S12642009	8	BOLT, SOCKET M3X35	
40-1-15	028030243	8	WASHER, SPRING 2-3	
40-1-16	S12093001	2	KNUCKLE	
40-1-17	S24785000	1	HINGE, RJ	
40-1-18	S24786000	1	HINGE, LJ	
40-1-19	S12096001	2	PIN	
40-1-20	014400522	2	SET SCREW, SOCKET (CP) M4X5	
40-1-21	S12097001	2	TIE PLATE	
40-1-22	S12098001	2	PIN	
40-1-23	048050342	2	RETAINING RING, E5	
29	S34559000	1	“ For Supply parts “ PRESSER BELT	

L1 . 折曲ゲ関係 (オプション部品)

L1 . Folding margin mechanism (Option parts)



L1. Folding margin mechanism (Option parts)

REF.NO.	CODE	QTY	NAME OF PARTS	RM
40-1-24	S12099001	2	KNUCKLE PIN	
40-1-25	048050342	4	RETAINING RING, E5	
40-1-26	S24787000	1	TUCKING BLADE, RJ	
40-1-27	S24788000	1	TUCKING BLADE, LJ	
40-1-28	018400632	4	BOLT, SOCKET M4X6	
40-1-29	028040242	4	WASHER, SPRING 2-4	
40-1-30	S12214000	1	SPIRAL, 640L	
40-1-31	S12106000	1	MULTI CONNECTOR, P	
40-1-32	S37492XXX	1	FOLDING BLADE, R-TRIANGLE-J2	
40-1-33	S37493XXX	1	FOLDING BLADE, L-TRIANGLE-J2	
40-1-34	S37494XXX	1	FOLDING BLADE, RD-TRIANGLE-J2	
40-1-35	S37495XXX	1	FOLDING BLADE, LD-TRIANGLE-J2	
40-1-36	018500822	8	BOLT, SOCKET M5X8	
40-1-37	028050242	8	WASHER, SPRING 2-5	
40-1-38	S20246001	8	WASHER, PLAIN L 5	
40-1-39	158722002	8	WASHER, PLAIN 4.2	
40-1-40	S04159000	4	BAND, 1M	
40-1-41	S12205000	1	AIR TUBE, 4X2.5-29	
40-1-42	S12104000	4	UNION, Y4	
40-1-43	S37496XXX	1	FOLDING CLAMP, TRIANGLE-J2	
40-1-44	S12297000	2	SPONGE, 2-30	
40-1-45	S12291001	2	ADJUSTING SCREW	
40-1-46	S12294001	2	SETTING PLATE, FOLDING CLAMP	
40-1-47	062401006	4	SCREW, PAN M4X10	
40-1-48	028040243	4	WASHER, SPRING 2-4	
40-1-49	028060243	2	WASHER, SPRING 2-6	
40-1-50	021060206	2	NUT, 2 M6	
40-1-51	S15564000	1	T-ASSY, M5	
40-1-51-1	S15563000	1	T-M5	
40-1-51-2	S04905000	1	HALF UNION	
40-1-51-3	S14328000	2	THROTTLE VALVE	
40-1-52	S37853000	2	CYLINDER ASSY, 32X15	
40-1-52-1	S37854000	2	CYLINDER, 32X15	
40-1-52-2	S04910000	4	HALF UNION	
40-1-53	S32294001	4	BOLT, SOCKET M4X35	
40-1-54	028040246	4	WASHER, SPRING 2-4	
40-1-55	025040236	4	WASHER, PLAIN M 4	
40-1-56	S37855000	2	CYLINDER ASSY, 25X15	
40-1-56-1	S37856000	2	CYLINDER, 25X15	
40-1-56-2	S11433000	4	HOSE NIPPLE, 4M5	
40-1-57	018403036	4	BOLT, SOCKET M4X30	
40-1-58	028040246	4	WASHER, SPRING 2-4	
40-1-59	025040136	12	WASHER, PLAIN S 4	
40-2	S37497XXX	1	CENTER BLADE ASSY, TRIANGLE-J2	
40-2-1	S12107001	2	CONNECTING BLOCK, GAUGE	
40-2-2	158722002	8	WASHER, PLAIN 4.2	
40-2-3	018402032	8	BOLT, SOCKET M4X20	
40-2-4	028040242	8	WASHER, SPRING 2-4	
40-2-5	014500522	4	SET SCREW, SOCKET (CP) M5	
40-2-6	S12108001	2	CONNECTING PIN, GAUGE	
40-2-7	S3749XXX9	1	SPRING, PLATE R-0.8-TRIAN.-J2	
40-2-8	060300414	4	SCREW, BIND M3X4	
40-2-9	S37498XXX	1	CENTER BLADE, TRIANGLE-J2	
40-2-10	S37500XXX	1	SPRING, PLATE L-0.8-TRIAN.-J2	
40-2-11	S24802000	2	CLAMP BLADE, GAUGE 1.6J	
40-3	S37506XXX	1	F-GROUP ASSY, TRIANGLE-J2	
40-3-1	S37507XXX	1	WORK CLAMP LOWER, TRIANGLE-J2	
40-3-2	S37508XXX	1	WORK CLAMP UPPER, R-TRIAN.-J2	

L1. Folding margin mechanism (Option parts)

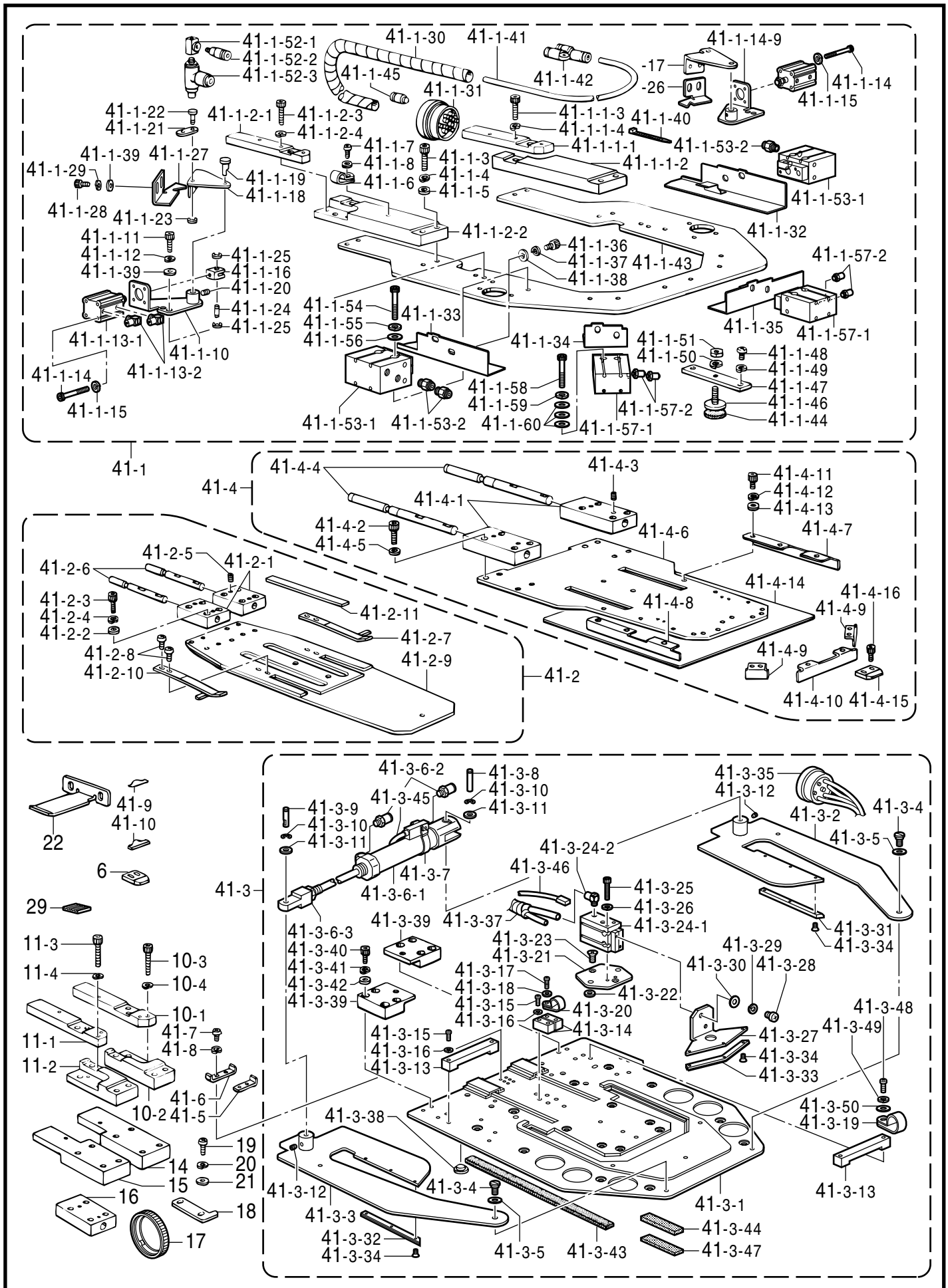
REF.NO.	CODE	QTY	NAME OF PARTS	RM
40-3-3	S37509XXX	1	WORK CLAMP UPPER, L-TRIANG.-J2	
40-3-4	145478101	2	SHOULDER SCREW, SOCKET SM4.76	
40-3-5	025060136	2	WASHER, PLAIN S 6	
40-3-6	S37452000	1	CYLINDER ASSY, 16X45	
40-3-6-1	S37453000	1	CYLINDER, 16X45	
40-3-6-2	S11433000	2	HOSE NIPPLE, 4M5	
40-3-6-3	S37454000	1	KNUCLE JOINT	
40-3-7	S37459000	1	SWITCH SETTING BRACKET, 16	
40-3-8	S37450001	1	HINGE PIN, R	
40-3-9	S37451001	1	HINGE PIN, L	
40-3-10	048040346	2	RETAINING RING, E4	
40-3-11	025050233	2	WASHER, PLAIN M 5	
40-3-12	014400522	2	SET SCREW, SOCKET (CP) M4X5	
40-3-13	S37457000	2	WORK CLAMP GUIDE, 1	
40-3-14	S37458000	2	WORK CLAMP GUIDE, 2	
40-3-15	062401416	6	SCREW, PAN M4X14	
40-3-16	028040243	6	WASHER, SPRING 2-4	
40-3-17	062401616	1	SCREW, PAN M4X16	
40-3-18	025040233	1	WASHER, PLAIN M 4	
40-3-19	554482000	1	CORD HOLDER, 12N	
40-3-20	S00480000	1	CORD HOLDER, 5N	
40-3-21	S37514XXX	1	WORK CLAMP UPPER, TRIANGLE-J2	
40-3-22	S03303001	2	COLLAR	
40-3-23	004400802	2	SCREW, FLAT M4X8	
40-3-24	S37455000	1	CYLINDER ASSY, 16X5	
40-3-24-1	S37456000	1	CYLINDER, 16X5	
40-3-24-2	S11433000	2	HOSE NIPPLE, 4M5	
40-3-25	S32294001	2	BOLT, SOCKET M4X35	
40-3-26	028040243	2	WASHER, SPRING 2-4	
40-3-27	S37510000	1	WORK CLAMP UPPER, D-TRIANG.-J2	
40-3-28	062400806	2	SCREW, PAN M4X8	
40-3-29	028040243	2	WASHER, SPRING 2-4	
40-3-30	025040233	2	WASHER, PLAIN M 4	
40-3-31	S37511XXX	1	SPACER, R-TRIANGLE-J2	
40-3-32	S37512XXX	1	SPACER, L-TRIANGLE-J2	
40-3-33	S37513XXX	1	SPACER, D-TRIANGLE-J2	
40-3-34	100191005	9	SCREW, FLAT SM2.38	
40-3-35	S19549000	1	MULTI CONNECTOR, 6P	
40-3-36	S12198000	1	AIR TUBE, 4X2.5-22 L=1300	
40-3-37	S12212000	1	SPIRAL, 290S	
40-3-38	S12279000	24	CLAMP BLADE, CLAMP	
40-3-39	S12110001	2	CONNECTING BLOCK, CLAMP	
40-3-40	018401022	8	BOLT, SOCKET M4X10	
40-3-41	028040242	8	WASHER, SPRING 2-4	
40-3-42	158722002	8	WASHER, PLAIN 4.2	
40-3-43	S12298000	1	FORM, 3X15X1000	
40-3-44	S12116000	1	SPONGE, 3X200X200	
40-3-45	S38182000	1	SENSOR ASSY, D-H7A1	
40-3-46	S38183000	1	SENSOR ASSY, D-A96	
40-3-47	S12117000	1	FORM, 2X200X200	
40-3-48	002401813	1	SCREW, PAN M4X18	
40-3-49	028040243	1	WASHER, SPRING 2-4	
40-3-50	025040233	1	WASHER, PLAIN M 4	
40-4	S37501XXX	1	INNER CLAMP ASSY, TRIANGLE-J2	
40-4-1	S12113001	2	CONNECTING BLOCK, INNER	
40-4-2	018502522	8	BOLT, SOCKET M5X25	
40-4-3	014500522	4	SET SCREW, SOCKET (CP) M5	
40-4-4	S12114001	2	CONNECTING PIN, INNER	

L1. Folding margin mechanism (Option parts)

REF.NO.	CODE	QTY	NAME OF PARTS	RM
40-4-5	S20246001	8	WASHER, PLAIN L 5	
40-4-6	S37502XXX	1	INNER CLAMP, TRIANGLE-J2	
40-4-7	S37503XXX	1	INNER CLAMP UPPER-1, TRIAN.-J2	
40-4-8	S37504XXX	1	INNER CLAMP UPPER-2, TRIAN.-J2	
40-4-9	S37505XXX	2	INNER CLAMP UPPER-3, TRIAN.-J2	
40-4-10	018300532	10	BOLT, SOCKET M3X5	
40-4-11	028030242	10	WASHER, SPRING 2-3	
40-4-12	025030232	10	WASHER, PLAIN M 3	
40-4-13	S12117000	1	FORM, 2X200X200	
40-4-14	S12487000	4	FOLDING BLADE CLAMP, INNER	
40-4-15	018300532	8	BOLT, SOCKET M3X5	
40-5	S12111001	3	SLIT, C	
40-6	S12112001	3	SLIT, D	
40-7	062300502	6	SCREW, PAN M3X5	
40-8	028030242	6	WASHER, SPRING 2-3	
40-9	S16514000	2	SPACER, 0.05	
40-10	S16513000	2	SPACER, 0.1	

L2 . 折曲ゲ関係 (オプション部品)

L2 . Folding margin mechanism (Option parts)

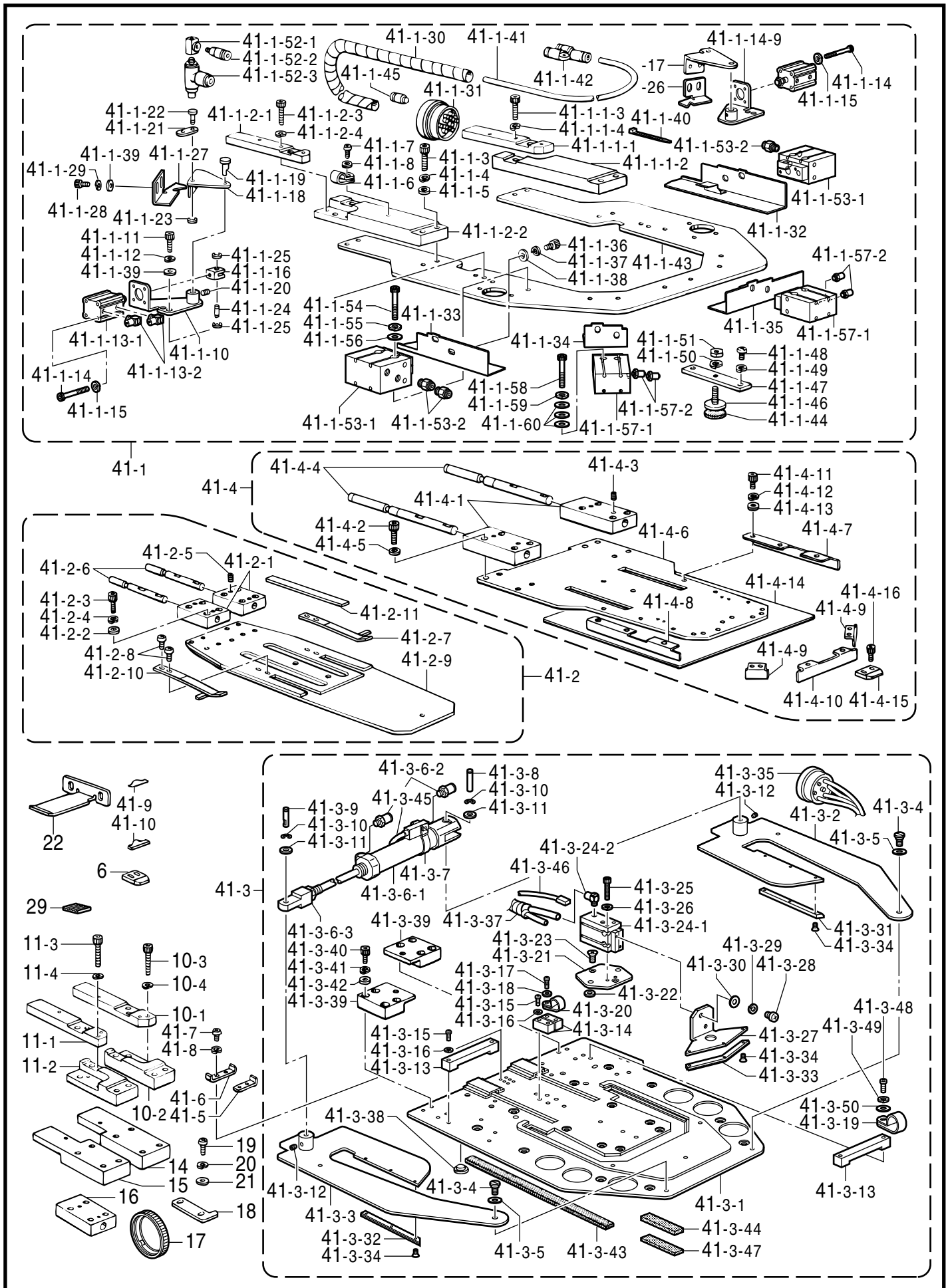


L2. Folding margin mechanism (Option parts)

REF.NO.	CODE	QTY	NAME OF PARTS	RM
6	S12494000	1	FOLDING CLAMP, SMALL	
10	S24888001	1	CONNECTING BLOCK ASSY, R	
10-1	S24460001	1	CONNECTING BLOCK, R-1	
10-2	S24461001	1	CONNECTING BLOCK, R-2	
10-3	018502022	2	BOLT, SOCKET M5X20	
10-4	028050242	2	WASHER, SPRING 2-5	
11	S24889001	1	CONNECTING BLOCK ASSY, L	
11-1	S24458001	1	CONNECTING BLOCK, L-1	
11-2	S24459001	1	CONNECTING BLOCK, L-2	
11-3	018502022	2	BOLT, SOCKET M5X20	
11-4	028050242	2	WASHER, SPRING 2-5	
14	S21121101	1	CONNECTING BLOCK, SSR	
15	S21122001	1	CONNECTING BLOCK, SSL	
16	S21123001	2	CONNECTING BLOCK, S	
17	S24828000	1	CLAMP RING, 12	
18	S24890001	1	POSITIONING PLATE, LABEL	
19	062400616	2	SCREW, PAN M4X6	
20	028040243	2	WASHER, SPRING 2-4	
21	025040233	2	WASHER, PLAIN M 4	
22	S24893000	1	FOLDING BLADE UPPER, J	
41	S43655XXX	1	F-GROUP ASSY, MITER-J2	
41-1	S43656XXX	1	FOLDING CLAMP ASSY, MITER-J2	
41-1-1	S24886001	1	CONNECTING BLOCK ASSY, SR	
41-1-1-1	S24456001	1	CONNECTING BLOCK, SR-1	
41-1-1-2	S24457001	1	CONNECTING BLOCK, SR-2	
41-1-1-3	018502022	2	BOLT, SOCKET M5X20	
41-1-1-4	028050242	2	WASHER, SPRING 2-5	
41-1-2	S24887001	1	CONNECTING BLOCK ASSY, SL	
41-1-2-1	S24454001	1	CONNECTING BLOCK, SL-1	
41-1-2-2	S24455001	1	CONNECTING BLOCK, SL-2	
41-1-2-3	018502022	2	BOLT, SOCKET M5X20	
41-1-2-4	028050242	2	WASHER, SPRING 2-5	
41-1-3	018502522	8	BOLT, SOCKET M5X25	
41-1-4	028050242	8	WASHER, SPRING 2-5	
41-1-5	S20246001	8	WASHER, PLAIN L 5	
41-1-6	552907000	1	CORD HOLDER, 10N	
41-1-7	062400806	1	SCREW, PAN M4X8	
41-1-8	025040233	1	WASHER, PLAIN M 4	
41-1-9	S33217001	1	TUCKING BASE, RJ-15	
41-1-10	S33218001	1	TUCKING BASE, LJ-15	
41-1-11	018400832	4	BOLT, SOCKET M4X8	
41-1-12	028040242	4	WASHER, SPRING 2-4	
41-1-13	S38889000	2	CYLINDER ASSY, 12X15	
41-1-13-1	S33220000	2	CYLINDER, 12X15	
41-1-13-2	S12150000	4	TUBE ELBOW, M-5HL-4	
41-1-14	S12642009	8	BOLT, SOCKET M3X35	
41-1-15	028030243	8	WASHER, SPRING 2-3	
41-1-16	S12093001	2	KNUCKLE	
41-1-17	S24785000	1	HINGE, RJ	
41-1-18	S24786000	1	HINGE, LJ	
41-1-19	S12096001	2	PIN	
41-1-20	014400522	2	SET SCREW, SOCKET (CP) M4X5	
41-1-21	S12097001	2	TIE PLATE	
41-1-22	S12098001	2	PIN	
41-1-23	048050342	2	RETAINING RING, E5	
29	S34559000	1	“ For Supply parts “ PRESSER BELT	

L2 . 折曲ゲ関係 (オプション部品)

L2 . Folding margin mechanism (Option parts)



L2. Folding margin mechanism (Option parts)

REF.NO.	CODE	QTY	NAME OF PARTS	RM
41-1-24	S12099001	2	KNUCKLE PIN	
41-1-25	048050342	4	RETAINING RING, E5	
41-1-26	S24787000	1	TUCKING BLADE, RJ	
41-1-27	S24788000	1	TUCKING BLADE, LJ	
41-1-28	018400632	4	BOLT, SOCKET M4X6	
41-1-29	028040242	4	WASHER, SPRING 2-4	
41-1-30	S12214000	1	SPIRAL, 640L	
41-1-31	S12106000	1	MULTI CONNECTOR, P	
41-1-32	S38904XXX	1	FOLDING BLADE, R-MITER-J2	
41-1-33	S38905XXX	1	FOLDING BLADE, L-MITER-J2	
41-1-34	S38906XXX	2	FOLDING BLADE, S-MITER-J2	
41-1-35	S38907XXX	1	FOLDING BLADE, M-MITER-J2	
41-1-36	018500822	10	BOLT, SOCKET M5X8	
41-1-37	028050242	10	WASHER, SPRING 2-5	
41-1-38	S20246001	10	WASHER, PLAIN L 5	
41-1-39	158722002	8	WASHER, PLAIN 4.2	
41-1-40	S04159000	4	BAND, 1M	
41-1-41	S12205000	1	AIR TUBE, 4X2.5-29	
41-1-42	S12104000	8	UNION, Y4	
41-1-43	S38908XXX	1	FOLDING CLAMP, MITER-J2	
41-1-44	S12297000	2	SPONGE, 2-30	
41-1-45	S19555000	2	CAP, 4	
41-1-46	S12291001	2	ADJUSTING SCREW	
41-1-47	S12294001	2	SETTING PLATE, FOLDING CLAMP	
41-1-48	062401006	4	SCREW, PAN M4X10	
41-1-49	028040243	4	WASHER, SPRING 2-4	
41-1-50	028060243	2	WASHER, SPRING 2-6	
41-1-51	021060206	2	NUT, 2 M6	
41-1-52	S15564000	1	T-ASSY, M5	
41-1-52-1	S15563000	1	T-M5	
41-1-52-2	S04905000	1	HALF UNION	
41-1-52-3	S14328000	2	THROTTLE VALVE	
41-1-53	S37853000	2	CYLINDER ASSY, 32X15	
41-1-53-1	S37854000	2	CYLINDER, 32X15	
41-1-53-2	S04910000	4	HALF UNION	
41-1-54	S32294001	4	BOLT, SOCKET M4X35	
41-1-55	028040246	4	WASHER, SPRING 2-4	
41-1-56	025040236	4	WASHER, PLAIN M 4	
41-1-57	S37855000	3	CYLINDER ASSY, 25X15	
41-1-57-1	S37856000	3	CYLINDER, 25X15	
41-1-57-2	S11433000	6	HOSE NIPPLE, 4M5	
41-1-58	018403036	6	BOLT, SOCKET M4X30	
41-1-59	028040246	6	WASHER, SPRING 2-4	
41-1-60	025040136	18	WASHER, PLAIN S 4	
41-2	S38909XXX	1	CENTER BLADE ASSY, MITER-J2	
41-2-1	S12107001	2	CONNECTING BLOCK, GAUGE	
41-2-2	158722002	8	WASHER, PLAIN 4.2	
41-2-3	018402032	8	BOLT, SOCKET M4X20	
41-2-4	028040242	8	WASHER, SPRING 2-4	
41-2-5	014500522	4	SET SCREW, SOCKET (CP) M5	
41-2-6	S12108001	2	CONNECTING PIN, GAUGE	
41-2-7	S38911XXX	1	SPRING, PLATE R-0.8-MITER-J2	
41-2-8	060300414	4	SCREW, BIND M3X4	
41-2-9	S38910XXX	1	CENTER BLADE ASSY, MITER-J2	
41-2-10	S38912XXX	1	SPRING, PLATE L-0.8-MITER-J2	
41-2-11	S24802000	2	CLAMP BLADE, GAUGE 1.6J	
41-3	S38961XXX	1	F-GROUP ASSY, MITER-J2	
41-3-1	S38962XXX	1	WORK CLAMP, LO MITER-J2	

L2. Folding margin mechanism (Option parts)

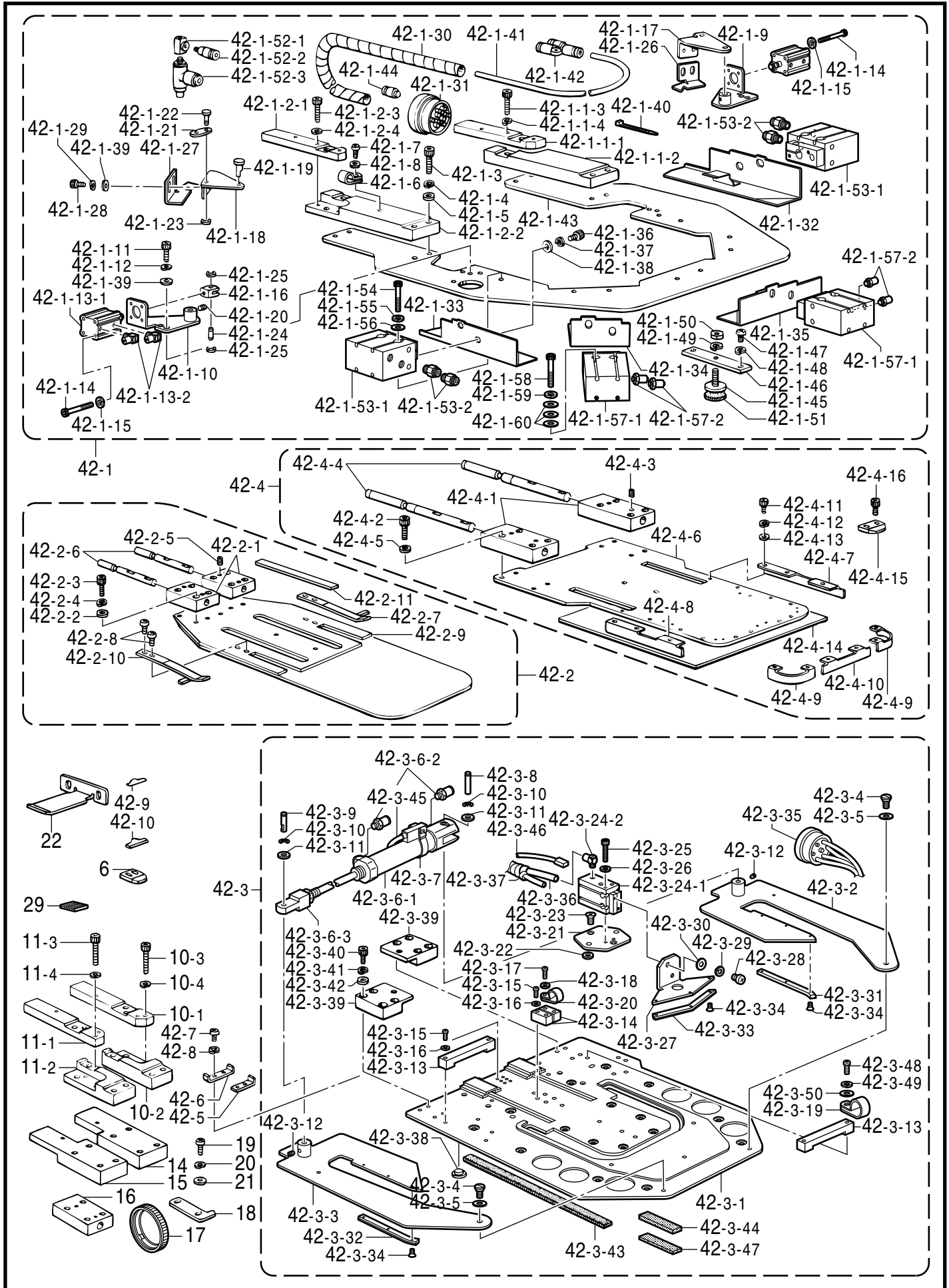
REF.NO.	CODE	QTY	NAME OF PARTS	RM
41-3-2	S38963XXX	1	WORK CLAMP, UP R-MITER-J2	
41-3-3	S38964XXX	1	WORK CLAMP, UP L-MITER-J2	
41-3-4	145478101	2	SHOULDER SCREW, SOCKET SM4.76	
41-3-5	025060136	2	WASHER, PLAIN S 6	
41-3-6	S37452000	1	CYLINDER ASSY, 16X45	
41-3-6-1	S37453000	1	CYLINDER, 16X45	
41-3-6-2	S11433000	2	HOSE NIPPLE, 4M5	
41-3-6-3	S37454000	1	KNUCLE JOINT	
41-3-7	S37459000	1	SWITCH SETTING BRACKET, 16	
41-3-8	S37450001	1	HINGE PIN, R	
41-3-9	S37451001	1	HINGE PIN, L	
41-3-10	048040346	2	RETAINING RING, E4	
41-3-11	025050233	2	WASHER, PLAIN M 5	
41-3-12	014400522	2	SET SCREW, SOCKET (CP) M4X5	
41-3-13	S37457000	2	WORK CLAMP GUIDE, 1	
41-3-14	S37458000	2	WORK CLAMP GUIDE, 2	
41-3-15	062401416	6	SCREW, PAN M4X14	
41-3-16	028040243	6	WASHER, SPRING 2-4	
41-3-17	062401616	1	SCREW, PAN M4X16	
41-3-18	025040233	1	WASHER, PLAIN M 4	
41-3-19	554482000	1	CORD HOLDER, 12N	
41-3-20	S00480000	1	CORD HOLDER, 5N	
41-3-21	S38965XXX	1	WORK CLAMP, UP MITER-J2	
41-3-22	S03303001	2	COLLAR	
41-3-23	004400802	2	SCREW, FLAT M4X8	
41-3-24	S37455000	1	CYLINDER ASSY, 16X5	
41-3-24-1	S37456000	1	CYLINDER, 16X5	
41-3-24-2	S11433000	2	HOSE NIPPLE, 4M5	
41-3-25	S32294001	2	BOLT, SOCKET M4X35	
41-3-26	028040243	2	WASHER, SPRING 2-4	
41-3-27	S38966XXX	1	WORK CLAMP, UP D-MITER-J2	
41-3-28	062400806	2	SCREW, PAN M4X8	
41-3-29	028040243	2	WASHER, SPRING 2-4	
41-3-30	025040233	2	WASHER, PLAIN M 4	
41-3-31	S38967XXX	1	SPACER, R-MITER-J2	
41-3-32	S38968XXX	1	SPACER, L-MITER-J2	
41-3-33	S38969XXX	1	SPACER, D-MITER-J2	
41-3-34	100191005	9	SCREW, FLAT SM2.38	
41-3-35	S19549000	1	MULTI CONNECTOR, 6P	
41-3-36	S12198000	1	AIR TUBE, 4X2.5-22 L=1300	
41-3-37	S12212000	1	SPIRAL, 290S	
41-3-38	S12279000	24	CLAMP BLADE, CLAMP	
41-3-39	S12110001	2	CONNECTING BLOCK, CLAMP	
41-3-40	018401022	8	BOLT, SOCKET M4X10	
41-3-41	028040242	8	WASHER, SPRING 2-4	
41-3-42	158722002	8	WASHER, PLAIN 4.2	
41-3-43	S12298000	1	FORM, 3X15X1000	
41-3-44	S12116000	1	SPONGE, 3X200X200	
41-3-45	S38182000	1	SENSOR ASSY, D-H7A1	
41-3-46	S38183000	1	SENSOR ASSY, D-A96	
41-3-47	S12117000	1	FORM, 2X200X200	
41-3-48	002401813	1	SCREW, PAN M4X18	
41-3-49	028040243	1	WASHER, SPRING 2-4	
41-3-50	025040233	1	WASHER, PLAIN M 4	
41-4	S38913XXX	1	INNER CLAMP ASSY, MITER-J2	
41-4-1	S12113001	2	CONNECTING BLOCK, INNER	
41-4-2	018502522	8	BOLT, SOCKET M5X25	
41-4-3	014500522	4	SET SCREW, SOCKET (CP) M5	

L2. Folding margin mechanism (Option parts)

REF.NO.	CODE	QTY	NAME OF PARTS	RM
41-4-4	S12114001	2	CONNECTING PIN, INNER	
41-4-5	S20246001	8	WASHER, PLAIN L 5	
41-4-6	S38914XXX	1	INNER CLAMP, MITER-J2	
41-4-7	S38915XXX	1	INNER CLAMP, UP-1 MITER-J2	
41-4-8	S38916XXX	1	INNER CLAMP, UP-2 MITER-J2	
41-4-9	S38917XXX	2	INNER CLAMP, UP-3 MITER-J2	
41-4-10	S38918XXX	1	INNER CLAMP, UP-4 MITER-J2	
41-4-11	018300532	12	BOLT, SOCKET M3X5	
41-4-12	028030242	12	WASHER, SPRING 2-3	
41-4-13	025030232	12	WASHER, PLAIN M 3	
41-4-14	S12117000	1	FORM, 2X200X200	
41-4-15	S12487000	3	FOLDING BLADE CLAMP, INNER	
41-4-16	018300532	6	BOLT, SOCKET M3X5	
41-5	S12111001	3	SLIT, C	
41-6	S12112001	3	SLIT, D	
41-7	062300502	6	SCREW, PAN M3X5	
41-8	028030242	6	WASHER, SPRING 2-3	
41-9	S16514000	2	SPACER, 0.05	
41-10	S16513000	2	SPACER, 0.1	

L3 . 折曲ゲ関係 (オプション部品)

L3 . Folding margin mechanism (Option parts)

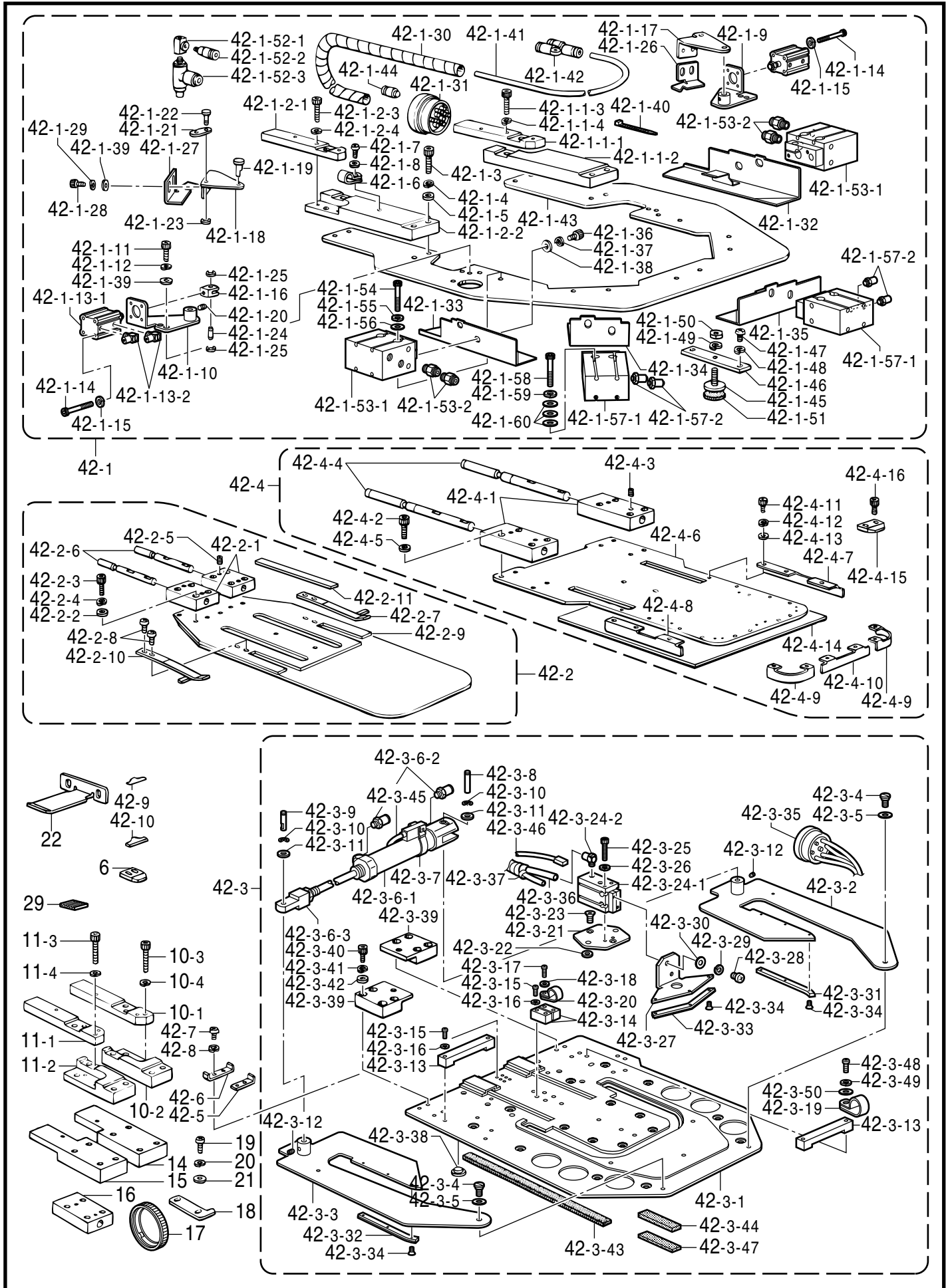


L3. Folding margin mechanism (Option parts)

REF.NO.	CODE	QTY	NAME OF PARTS	RM
6	S12494000	1	FOLDING CLAMP, SMALL	
10	S24888001	1	CONNECTING BLOCK ASSY, R	
10-1	S24460001	1	CONNECTING BLOCK, R-1	
10-2	S24461001	1	CONNECTING BLOCK, R-2	
10-3	018502022	2	BOLT, SOCKET M5X20	
10-4	028050242	2	WASHER, SPRING 2-5	
11	S24889001	1	CONNECTING BLOCK ASSY, L	
11-1	S24458001	1	CONNECTING BLOCK, L-1	
11-2	S24459001	1	CONNECTING BLOCK, L-2	
11-3	018502022	2	BOLT, SOCKET M5X20	
11-4	028050242	2	WASHER, SPRING 2-5	
14	S21121101	1	CONNECTING BLOCK, SSR	
15	S21122001	1	CONNECTING BLOCK, SSL	
16	S21123001	2	CONNECTING BLOCK, S	
17	S24828000	1	CLAMP RING, 12	
18	S24890001	1	POSITIONING PLATE, LABEL	
19	062400616	2	SCREW, PAN M4X6	
20	028040243	2	WASHER, SPRING 2-4	
21	025040233	2	WASHER, PLAIN M 4	
22	S24893000	1	FOLDING BLADE UPPER, J	
42	S43657XXX	1	F-GROUP ASSY, ROUND-1J2	
42-1	S43658XXX	1	FOLDING CLAMP ASSY, ROUND-1-J2	
42-1-1	S24886001	1	CONNECTING BLOCK ASSY, SR	
42-1-1-1	S24456001	1	CONNECTING BLOCK, SR-1	
42-1-1-2	S24457001	1	CONNECTING BLOCK, SR-2	
42-1-1-3	018502022	2	BOLT, SOCKET M5X20	
42-1-1-4	028050242	2	WASHER, SPRING 2-5	
42-1-2	S24887001	1	CONNECTING BLOCK ASSY, SL	
42-1-2-1	S24454001	1	CONNECTING BLOCK, SL-1	
42-1-2-2	S24455001	1	CONNECTING BLOCK, SL-2	
42-1-2-3	018502022	2	BOLT, SOCKET M5X20	
42-1-2-4	028050242	2	WASHER, SPRING 2-5	
42-1-3	018502522	8	BOLT, SOCKET M5X25	
42-1-4	028050242	8	WASHER, SPRING 2-5	
42-1-5	S20246001	8	WASHER, PLAIN L 5	
42-1-6	552907000	1	CORD HOLDER, 10N	
42-1-7	062400806	1	SCREW, PAN M4X8	
42-1-8	025040233	1	WASHER, PLAIN M 4	
42-1-9	S33217001	1	TUCKING BASE, RJ-15	
42-1-10	S33218001	1	TUCKING BASE, LJ-15	
42-1-11	018400832	4	BOLT, SOCKET M4X8	
42-1-12	028040242	4	WASHER, SPRING 2-4	
42-1-13	S38889000	2	CYLINDER ASSY, 12X15	
42-1-13-1	S33220000	2	CYLINDER, 12X15	
42-1-13-2	S12150000	4	TUBE ELBOW, M-5HL-4	
42-1-14	S12642009	8	BOLT, SOCKET M3X35	
42-1-15	028030243	8	WASHER, SPRING 2-3	
42-1-16	S12093001	2	KNUCKLE	
42-1-17	S24785000	1	HINGE, RJ	
42-1-18	S24786000	1	HINGE, LJ	
42-1-19	S12096001	2	PIN	
42-1-20	014400522	2	SET SCREW, SOCKET (CP) M4X5	
42-1-21	S12097001	2	TIE PLATE	
42-1-22	S12098001	2	PIN	
42-1-23	048050342	2	RETAINING RING, E5	
29	S34559000	1	“ For Supply parts “ PRESSER BELT	

L3 . 折曲ゲ関係 (オプション部品)

L3 . Folding margin mechanism (Option parts)



L3. Folding margin mechanism (Option parts)

REF.NO.	CODE	QTY	NAME OF PARTS	RM
42-1-24	S12099001	2	KNUCKLE PIN	
42-1-25	048050342	4	RETAINING RING, E5	
42-1-26	S24787000	1	TUCKING BLADE, RJ	
42-1-27	S24788000	1	TUCKING BLADE, LJ	
42-1-28	018400632	4	BOLT, SOCKET M4X6	
42-1-29	028040242	4	WASHER, SPRING 2-4	
42-1-30	S12214000	1	SPIRAL, 640L	
42-1-31	S12106000	1	MULTI CONNECTOR, P	
42-1-32	S37465XXX	1	FOLDING BLADE, R-ROUND-1-J2	
42-1-33	S37466XXX	1	FOLDING BLADE, L-ROUND-1-J2	
42-1-34	S37467XXX	2	FOLDING BLADE, S-ROUND-1-J2	
42-1-35	S37468XXX	1	FOLDING BLADE, M-ROUND-1-J2	
42-1-36	018500822	10	BOLT, SOCKET M5X8	
42-1-37	028050242	10	WASHER, SPRING 2-5	
42-1-38	S20246001	10	WASHER, PLAIN L 5	
42-1-39	158722002	8	WASHER, PLAIN 4.2	
42-1-40	S04159000	4	BAND, 1M	
42-1-41	S12205000	1	AIR TUBE, 4X2.5-29	
42-1-42	S12104000	8	UNION, Y4	
42-1-43	S37469XXX	1	FOLDING BLADE CLAMP, ROUND-1-J 2	
42-1-44	S19555000	2	CAP, 4	
42-1-45	S12291001	2	ADJUSTING SCREW	
42-1-46	S12294001	2	SETTING PLATE, FOLDING CLAMP	
42-1-47	062401006	4	SCREW, PAN M4X10	
42-1-48	028040243	4	WASHER, SPRING 2-4	
42-1-49	028060243	2	WASHER, SPRING 2-6	
42-1-50	021060206	2	NUT, 2 M6	
42-1-51	S12297000	2	SPONGE, 2-30	
42-1-52	S15564000	1	T-ASSY, M5	
42-1-52-1	S15563000	1	T-M5	
42-1-52-2	S04905000	1	HALF UNION	
42-1-52-3	S14328000	2	THROTTLE VALVE	
42-1-53	S37853000	2	CYLINDER ASSY, 32X15	
42-1-53-1	S37854000	2	CYLINDER, 32X15	
42-1-53-2	S04910000	4	HALF UNION	
42-1-54	S32294001	4	BOLT, SOCKET M4X35	
42-1-55	028040246	4	WASHER, SPRING 2-4	
42-1-56	025040236	4	WASHER, PLAIN M 4	
42-1-57	S37855000	3	CYLINDER ASSY, 25X15	
42-1-57-1	S37856000	3	CYLINDER, 25X15	
42-1-57-2	S11433000	6	HOSE NIPPLE, 4M5	
42-1-58	018403036	6	BOLT, SOCKET M4X30	
42-1-59	028040246	6	WASHER, SPRING 2-4	
42-1-60	025040136	18	WASHER, PLAIN S 4	
42-2	S37470XXX	1	CENTER BLADE ASSY, ROUND-1-J2	
42-2-1	S12107001	2	CONNECTING BLOCK, GAUGE	
42-2-2	158722002	8	WASHER, PLAIN 4.2	
42-2-3	018402032	8	BOLT, SOCKET M4X20	
42-2-4	028040242	8	WASHER, SPRING 2-4	
42-2-5	014500522	4	SET SCREW, SOCKET (CP) M5	
42-2-6	S12108001	2	CONNECTING PIN, GAUGE	
42-2-7	S37472XXX	1	SPRING, PLATE R-0.8-ROUND-1-J2	
42-2-8	060300414	4	SCREW, BIND M3X4	
42-2-9	S37471XXX	1	CENTEER BLADE, ROUND-1-J2	
42-2-10	S37473XXX	1	SPRING, PLATE L-0.8-ROUND-1-J2	
42-2-11	S24802000	2	CLAMP BLADE, GAUGE 1.6J	
42-3	S37480XXX	1	F-GROUP ASSY, ROUND-1J2	
42-3-1	S37481XXX	1	WORK CLAMP LOWER, ROUND-1-J2	

L3. Folding margin mechanism (Option parts)

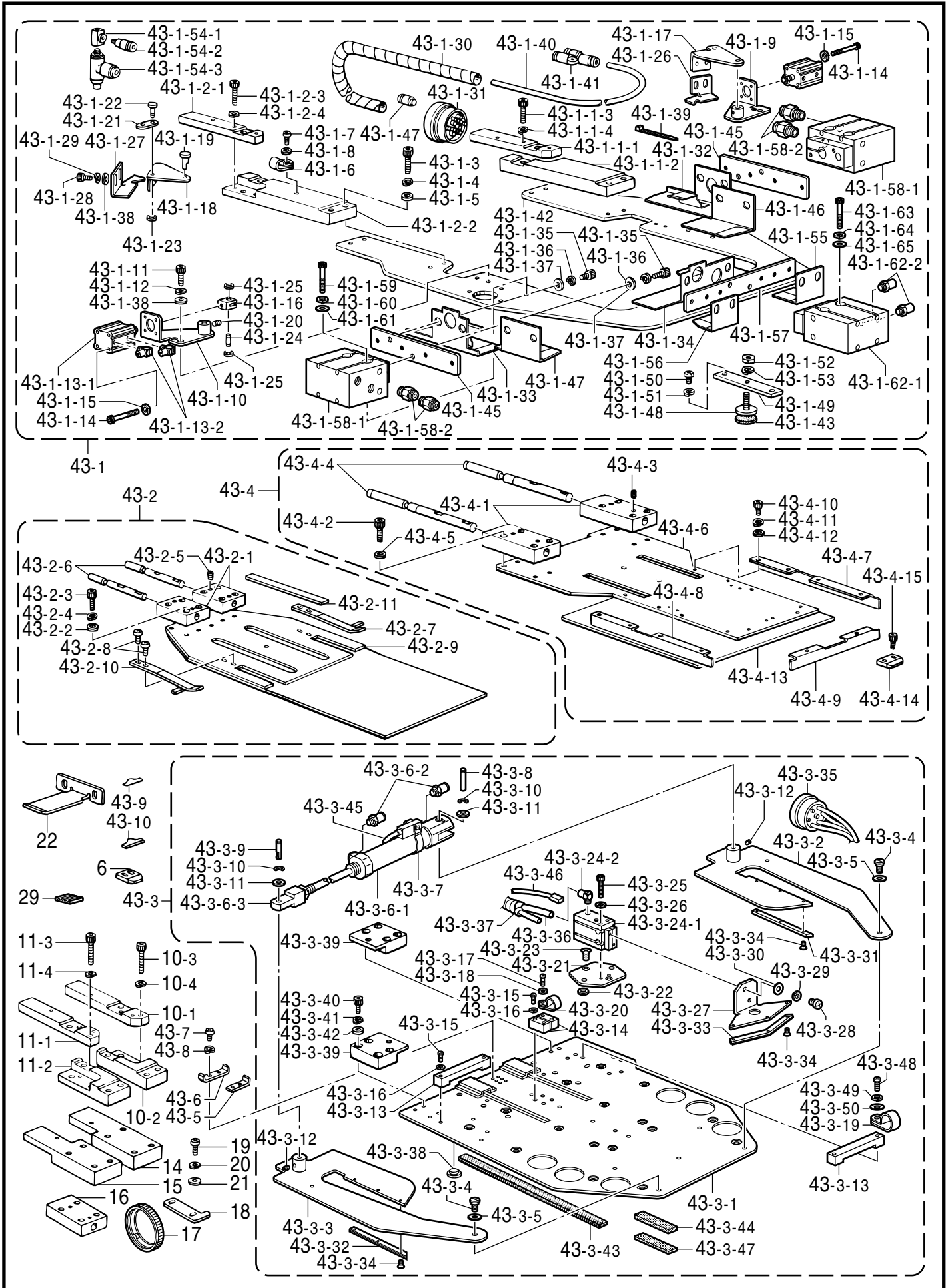
REF.NO.	CODE	QTY	NAME OF PARTS	RM
42-3-2	S37482XXX	1	WOEK CLAMP UPPER, R-ROUND-1-J2	
42-3-3	S37483XXX	1	WORK CLAMP UPPER, L-ROUND-1-J2	
42-3-4	145478101	2	SHOULDER SCREW, SOCKET SM4.76	
42-3-5	025060136	2	WASHER, PLAIN S 6	
42-3-6	S37452000	1	CYLINDER ASSY, 16X45	
42-3-6-1	S37453000	1	CYLINDER, 16X45	
42-3-6-2	S11433000	2	HOSE NIPPLE, 4M5	
42-3-6-3	S37454000	1	KNUCLE JOINT	
42-3-7	S37459000	1	SWITCH SETTING BRACKET, 16	
42-3-8	S37450001	1	HINGE PIN, R	
42-3-9	S37451001	1	HINGE PIN, L	
42-3-10	048040346	2	RETAINING RING, E4	
42-3-11	025050233	2	WASHER, PLAIN M 5	
42-3-12	014400522	2	SET SCREW, SOCKET (CP) M4X5	
42-3-13	S37457000	2	WORK CLAMP GUIDE, 1	
42-3-14	S37458000	2	WORK CLAMP GUIDE, 2	
42-3-15	062401416	6	SCREW, PAN M4X14	
42-3-16	028040243	6	WASHER, SPRING 2-4	
42-3-17	062401616	1	SCREW, PAN M4X16	
42-3-18	025040233	1	WASHER, PLAIN M 4	
42-3-19	554482000	1	CORD HOLDER, 12N	
42-3-20	S00480000	1	CORD HOLDER, 5N	
42-3-21	S37488XXX	1	WORK CLAMP UPPER, ROUND-1-J2	
42-3-22	S03303001	2	COLLAR	
42-3-23	004400802	2	SCREW, FLAT M4X8	
42-3-24	S37455000	1	CYLINDER ASSY, 16X5	
42-3-24-1	S37456000	1	CYLINDER, 16X5	
42-3-24-2	S11433000	2	HOSE NIPPLE, 4M5	
42-3-25	S32294001	2	BOLT, SOCKET M4X35	
42-3-26	028040243	2	WASHER, SPRING 2-4	
42-3-27	S37484XXX	1	WORK CLAMP UPPER, D-ROUND-1-J2	
42-3-28	062400806	2	SCREW, PAN M4X8	
42-3-29	028040243	2	WASHER, SPRING 2-4	
42-3-30	025040233	2	WASHER, PLAIN M 4	
42-3-31	S37485XXX	1	SPACER, R-ROUND-1-J2	
42-3-32	S37486XXX	1	SPACER, L-ROUN-1-J2	
42-3-33	S37487XXX	1	SPACER, D-ROUND-1-J2	
42-3-34	100191005	9	SCREW, FLAT SM2.38	
42-3-35	S19549000	1	MULTI CONNECTOR, 6P	
42-3-36	S12198000	1	AIR TUBE, 4X2.5-22 L=1300	
42-3-37	S12212000	1	SPIRAL, 290S	
42-3-38	S12279000	24	CLAMP BLADE, CLAMP	
42-3-39	S12110001	2	CONNECTING BLOCK, CLAMP	
42-3-40	018401022	8	BOLT, SOCKET M4X10	
42-3-41	028040242	8	WASHER, SPRING 2-4	
42-3-42	158722002	8	WASHER, PLAIN 4.2	
42-3-43	S12298000	1	FORM, 3X15X1000	
42-3-44	S12116000	1	SPONGE, 3X200X200	
42-3-45	S38182000	1	SENSOR ASSY, D-H7A1	
42-3-46	S38183000	1	SENSOR ASSY, D-A96	
42-3-47	S12117000	1	FORM, 2X200X200	
42-3-48	002401813	1	SCREW, PAN M4X18	
42-3-49	028040243	1	WASHER, SPRING 2-4	
42-3-50	025040233	1	WASHER, PLAIN M 4	
42-4	S37474XXX	1	INNER CLAMP ASSY, ROUND-1-J2	
42-4-1	S12113001	2	CONNECTING BLOCK, INNER	
42-4-2	018502522	8	BOLT, SOCKET M5X25	
42-4-3	014500522	4	SET SCREW, SOCKET (CP) M5	

L3. Folding margin mechanism (Option parts)

REF.NO.	CODE	QTY	NAME OF PARTS	RM
42-4-4	S12114001	2	CONNECTING PIN, INNER	
42-4-5	S20246001	8	WASHER, PLAIN L 5	
42-4-6	S37475XXX	1	INNER CLAMP, ROUND-1-J2	
42-4-7	S37476XXX	1	INNER CLAMP UP.-1, ROUND-1-J2	
42-4-8	S37477XXX	1	INNER CLAMP UP.-2, ROUND-1-J2	
42-4-9	S37478XXX	2	INNER CLAMP UP.-3, ROUND-1-J2	
42-4-10	S37479XXX	1	INNER CLAMP UP.-4, ROUND-1-J2	
42-4-11	018300532	12	BOLT, SOCKET M3X5	
42-4-12	028030242	12	WASHER, SPRING 2-3	
42-4-13	025030232	12	WASHER, PLAIN M 3	
42-4-14	S12117000	1	FORM, 2X200X200	
42-4-15	S12487000	5	FOLDING BLADE CLAMP, INNER	
42-4-16	018300532	10	BOLT, SOCKET M3X5	
42-5	S12111001	3	SLIT, C	
42-6	S12112001	3	SLIT, D	
42-7	062300502	6	SCREW, PAN M3X5	
42-8	028030242	6	WASHER, SPRING 2-3	
42-9	S16514000	2	SPACER, 0.05	
42-10	S16513000	2	SPACER, 0.1	

L4 . 折曲ゲ関係 (オプション部品)

L4 . Folding margin mechanism (Option parts)

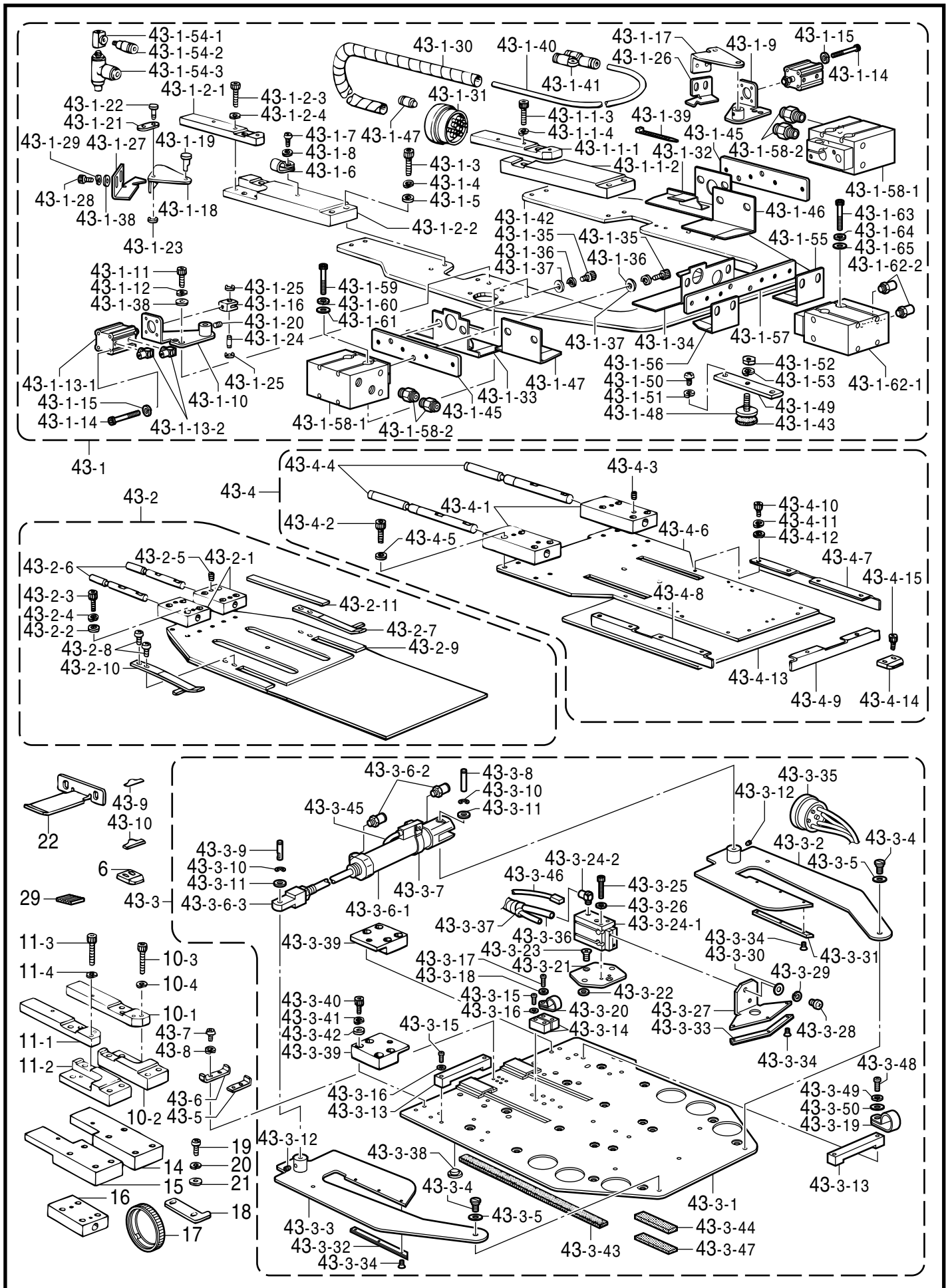


L4. Folding margin mechanism (Option parts)

REF.NO.	CODE	QTY	NAME OF PARTS	RM
6	S12494000	1	FOLDING CLAMP, SMALL	
10	S24888001	1	CONNECTING BLOCK ASSY, R	
10-1	S24460001	1	CONNECTING BLOCK, R-1	
10-2	S24461001	1	CONNECTING BLOCK, R-2	
10-3	018502022	2	BOLT, SOCKET M5X20	
10-4	028050242	2	WASHER, SPRING 2-5	
11	S24889001	1	CONNECTING BLOCK ASSY, L	
11-1	S24458001	1	CONNECTING BLOCK, L-1	
11-2	S24459001	1	CONNECTING BLOCK, L-2	
11-3	018502022	2	BOLT, SOCKET M5X20	
11-4	028050242	2	WASHER, SPRING 2-5	
14	S21121101	1	CONNECTING BLOCK, SSR	
15	S21122001	1	CONNECTING BLOCK, SSL	
16	S21123001	2	CONNECTING BLOCK, S	
17	S24828000	1	CLAMP RING, 12	
18	S24890001	1	POSITIONING PLATE, LABEL	
19	062400616	2	SCREW, PAN M4X6	
20	028040243	2	WASHER, SPRING 2-4	
21	025040233	2	WASHER, PLAIN M 4	
22	S24893000	1	FOLDING BLADE UPPER, J	
43	S43659XXX	1	F-GROUP ASSY, SQUARE-J2	
43-1	S43660XXX	1	FOLDING CLAMP ASSY, SQUARE-J2	
43-1-1	S24886001	1	CONNECTING BLOCK ASSY, SR	
43-1-1-1	S24456001	1	CONNECTING BLOCK, SR-1	
43-1-1-2	S24457001	1	CONNECTING BLOCK, SR-2	
43-1-1-3	018502022	2	BOLT, SOCKET M5X20	
43-1-1-4	028050242	2	WASHER, SPRING 2-5	
43-1-2	S24887001	1	CONNECTING BLOCK ASSY, SL	
43-1-2-1	S24454001	1	CONNECTING BLOCK, SL-1	
43-1-2-2	S24455001	1	CONNECTING BLOCK, SL-2	
43-1-2-3	018502022	2	BOLT, SOCKET M5X20	
43-1-2-4	028050242	2	WASHER, SPRING 2-5	
43-1-3	018502522	8	BOLT, SOCKET M5X25	
43-1-4	028050242	8	WASHER, SPRING 2-5	
43-1-5	S20246001	8	WASHER, PLAIN L 5	
43-1-6	552907000	1	CORD HOLDER, 10N	
43-1-7	062400806	1	SCREW, PAN M4X8	
43-1-8	025040233	1	WASHER, PLAIN M 4	
43-1-9	S33217001	1	TUCKING BASE, RJ-15	
43-1-10	S33218001	1	TUCKING BASE, LJ-15	
43-1-11	018400832	4	BOLT, SOCKET M4X8	
43-1-12	028040242	4	WASHER, SPRING 2-4	
43-1-13	S38889000	2	CYLINDER ASSY, 12X15	
43-1-13-1	S33220000	2	CYLINDER, 12X15	
43-1-13-2	S12150000	4	TUBE ELBOW, M-5HL-4	
43-1-14	S12642009	8	BOLT, SOCKET M3X35	
43-1-15	028030243	8	WASHER, SPRING 2-3	
43-1-16	S12093001	2	KNUCKLE	
43-1-17	S24785000	1	HINGE, RJ	
43-1-18	S24786000	1	HINGE, LJ	
43-1-19	S12096001	2	PIN	
43-1-20	014400522	2	SET SCREW, SOCKET (CP) M4X5	
43-1-21	S12097001	2	TIE PLATE	
43-1-22	S12098001	2	PIN	
43-1-23	048050342	2	RETAINING RING, E5	
29	S34559000	1	“ For Supply parts “ PRESSER BELT	

L4 . 折曲ゲ関係 (オプション部品)

L4 . Folding margin mechanism (Option parts)



L4. Folding margin mechanism (Option parts)

REF.NO.	CODE	QTY	NAME OF PARTS	RM
43-1-24	S12099001	2	KNUCKLE PIN	
43-1-25	048050342	4	RETAINING RING, E5	
43-1-26	S24787000	1	TUCKING BLADE, RJ	
43-1-27	S24788000	1	TUCKING BLADE, LJ	
43-1-28	018400632	4	BOLT, SOCKET M4X6	
43-1-29	028040242	4	WASHER, SPRING 2-4	
43-1-30	S12214000	1	SPIRAL, 640L	
43-1-31	S12106000	1	MULTI CONNECTOR, P	
43-1-32	S38922XXX	1	FOLDING BLADE, R-SQUARE-J2	
43-1-33	S38923XXX	1	FOLDING BLADE, L-SQUARE-J2	
43-1-34	S38924XXX	1	FOLDING BLADE, D-SQUARE-J2	
43-1-35	018500822	20	BOLT, SOCKET M5X8	
43-1-36	028050242	20	WASHER, SPRING 2-5	
43-1-37	S20246001	20	WASHER, PLAIN L 5	
43-1-38	158722002	8	WASHER, PLAIN 4.2	
43-1-39	S04159000	4	BAND, 1M	
43-1-40	S12205000	1	AIR TUBE, 4X2.5-29	
43-1-41	S12104000	4	UNION, Y4	
43-1-42	S38925XXX	1	FOLDING CLAMP, SQUARE-J2	
43-1-43	S12297000	2	SPONGE, 2-30	
43-1-44	S19555000	2	CAP, 4	
43-1-45	S38926XXX	2	FOLDING BLADE CLAMP, SQUARE-J2	
43-1-46	S38927XXX	1	FOLDING BLADE, RD-SQUARE-J2	
43-1-47	S38928XXX	1	FOLDING BLADE, LD-SQUARE-J2	
43-1-48	S12291001	2	ADJUSTING SCREW	
43-1-49	S12294001	2	SETTING PLATE, FOLDING CLAMP	
43-1-50	062401006	4	SCREW, PAN M4X10	
43-1-51	028040243	4	WASHER, SPRING 2-4	
43-1-52	028060243	2	WASHER, SPRING 2-6	
43-1-53	021060206	2	NUT, 2 M6	
43-1-54	S15564000	1	T-ASSY, M5	
43-1-54-1	S15563000	1	T-M5	
43-1-54-2	S04905000	1	HALF UNION	
43-1-54-3	S14328000	2	THROTTLE VALVE	
43-1-55	S38929XX	1	FOLDING BLADE, RDD-SQUARE-J2	
43-1-56	S38930XX	1	FOLDING BLADE, LDD-SQUARE-J2	
43-1-57	S38931XX	1	FOLDING BLADE CLAMP, D-SQU.-J2	
43-1-58	S37853000	2	CYLINDER ASSY, 32X15	
43-1-58-1	S37854000	2	CYLINDER, 32X15	
43-1-58-2	S04910000	4	HALF UNION	
43-1-59	S32294001	4	BOLT, SOCKET M4X35	
43-1-60	028040246	4	WASHER, SPRING 2-4	
43-1-61	025040236	4	WASHER, PLAIN M 4	
43-1-62	S37855000	1	CYLINDER ASSY, 25X15	
43-1-62-1	S37856000	1	CYLINDER, 25X15	
43-1-62-2	S11433000	2	HOSE NIPPLE, 4M5	
43-1-63	018403036	2	BOLT, SOCKET M4X30	
43-1-64	028040246	2	WASHER, SPRING 2-4	
43-1-65	025040136	6	WASHER, PLAIN S 4	
43-2	S38932XXX	1	CENTER BLADE ASSY, SQUARE-J2	
43-2-1	S12107001	2	CONNECTING BLOCK, GAUGE	
43-2-2	158722002	8	WASHER, PLAIN 4.2	
43-2-3	018402032	8	BOLT, SOCKET M4X20	
43-2-4	028040242	8	WASHER, SPRING 2-4	
43-2-5	014500522	4	SET SCREW, SOCKET (CP) M5	
43-2-6	S12108001	2	CONNECTING PIN, GAUGE	
43-2-7	S38934XXX	1	SPRING, PLATE R-0.8-SQUARE-J2	
43-2-8	060300414	4	SCREW, BIND M3X4	

L4. Folding margin mechanism (Option parts)

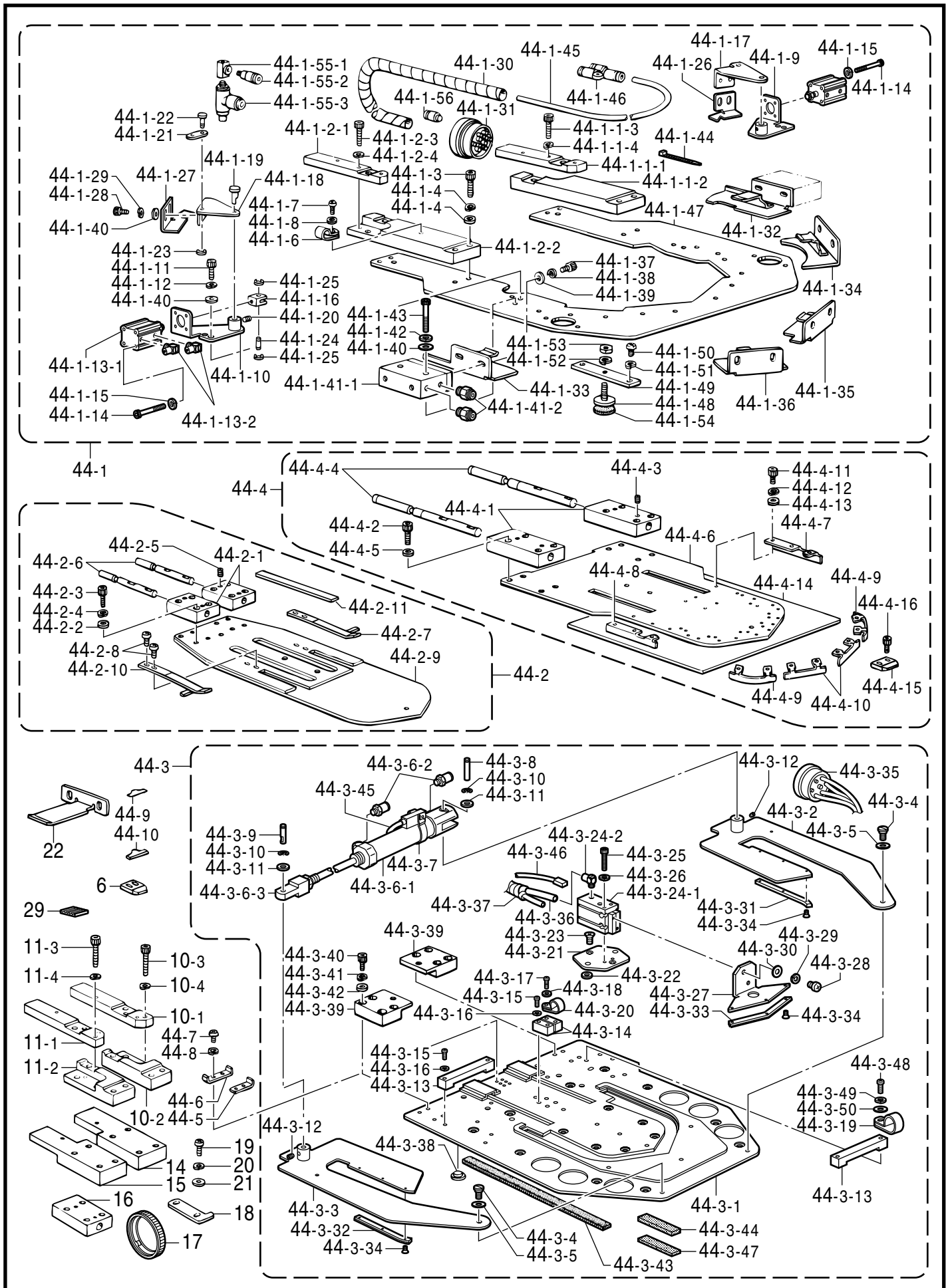
REF.NO.	CODE	QTY	NAME OF PARTS	RM
43-2-9	S38933XXX	1	CENTER BLADE, SQUARE-J2	
43-2-10	S38935XXX	1	SPRING, PLATE L-0.8-SQUARE-J2	
43-2-11	S24802000	2	CLAMP BLADE, GAUGE 1.6J	
43-3	S38970XXX	1	F-GROUP ASSY, SQUARE-J2	
43-3-1	S38971XXX	1	WORK CLAMP, LO SQUARE-J2	
43-3-2	S38972XXX	1	WORK CLAMP, UP R-SQUARE-J2	
43-3-3	S38973XXX	1	WORK CLAMP, UP L-SQUARE-J2	
43-3-4	145478101	2	SHOULDER SCREW, SOCKET SM4.76	
43-3-5	025060136	2	WASHER, PLAIN S 6	
43-3-6	S37452000	1	CYLINDER ASSY, 16X45	
43-3-6-1	S37453000	1	CYLINDER, 16X45	
43-3-6-2	S11433000	2	HOSE NIPPLE, 4M5	
43-3-6-3	S37454000	1	KNUCLE JOINT	
43-3-7	S37459000	1	SWITCH SETTING BRACKET, 16	
43-3-8	S37450001	1	HINGE PIN, R	
43-3-9	S37451001	1	HINGE PIN, L	
43-3-10	048040346	2	RETAINING RING, E4	
43-3-11	025050233	2	WASHER, PLAIN M 5	
43-3-12	014400522	2	SET SCREW, SOCKET (CP) M4X5	
43-3-13	S37457000	2	WORK CLAMP GUIDE, 1	
43-3-14	S37458000	2	WORK CLAMP GUIDE, 2	
43-3-15	062401416	6	SCREW, PAN M4X14	
43-3-16	028040243	6	WASHER, SPRING 2-4	
43-3-17	062401616	1	SCREW, PAN M4X16	
43-3-18	025040233	1	WASHER, PLAIN M 4	
43-3-19	554482000	1	CORD HOLDER, 12N	
43-3-20	S00480000	1	CORD HOLDER, 5N	
43-3-21	S38974XXX	1	WORK CLAMP, UP SQUARE-J2	
43-3-22	S03303001	2	COLLAR	
43-3-23	004400802	2	SCREW, FLAT M4X8	
43-3-24	S37455000	1	CYLINDER ASSY, 16X5	
43-3-24-1	S37456000	1	CYLINDER, 16X5	
43-3-24-2	S11433000	2	HOSE NIPPLE, 4M5	
43-3-25	S32294001	2	BOLT, SOCKET M4X35	
43-3-26	028040243	2	WASHER, SPRING 2-4	
43-3-27	S38975000	1	WORK CLAMP, UP D-SQUARE-J2	
43-3-28	062400806	2	SCREW, PAN M4X8	
43-3-29	028040243	2	WASHER, SPRING 2-4	
43-3-30	025040233	2	WASHER, PLAIN M 4	
43-3-31	S38976XXX	1	SPACER, R-SQUARE-J2	
43-3-32	S38977XXX	1	SPACER, L-SQUARE-J2	
43-3-33	S38978XXX	1	SPACER, D-SQUARE-J2	
43-3-34	100191005	9	SCREW, FLAT SM2.38	
43-3-35	S19549000	1	MULTI CONNECTOR, 6P	
43-3-36	S12198000	1	AIR TUBE, 4X2.5-22 L=1300	
43-3-37	S12212000	1	SPIRAL, 290S	
43-3-38	S12279000	24	CLAMP BLADE, CLAMP	
43-3-39	S12110001	2	CONNECTING BLOCK, CLAMP	
43-3-40	018401022	8	BOLT, SOCKET M4X10	
43-3-41	028040242	8	WASHER, SPRING 2-4	
43-3-42	158722002	8	WASHER, PLAIN 4.2	
43-3-43	S12298000	1	FORM, 3X15X1000	
43-3-44	S12116000	1	SPONGE, 3X200X200	
43-3-45	S38182000	1	SENSOR ASSY, D-H7A1	
43-3-46	S38183000	1	SENSOR ASSY, D-A96	
43-3-47	S12117000	1	FORM, 2X200X200	
43-3-48	002401813	1	SCREW, PAN M4X18	
43-3-49	028040243	1	WASHER, SPRING 2-4	

L4. Folding margin mechanism (Option parts)

REF.NO.	CODE	QTY	NAME OF PARTS	RM
43-3-50	025040233	1	WASHER, PLAIN M 4	
43-4	S38936XXX	1	INNER CLAMP ASSY, SQUARE-J2	
43-4-1	S12113001	2	CONNECTING BLOCK, INNER	
43-4-2	018502522	8	BOLT, SOCKET M5X25	
43-4-3	014500522	4	SET SCREW, SOCKET (CP) M5	
43-4-4	S12114001	2	CONNECTING PIN, INNER	
43-4-5	S20246001	8	WASHER, PLAIN L 5	
43-4-6	S38937XXX	1	INNER CLAMP, SQUARE-J2	
43-4-7	S38938XXX	1	INNER CLAMP, UP-1 SQUARE-J2	
43-4-8	S38939XXX	1	INNER CLAMP, UP-2 SQUARE-J2	
43-4-9	S38940XXX	1	INNER CLAMP, UP-3 SQUARE-J2	
43-4-10	018300532	10	BOLT, SOCKET M3X5	
43-4-11	028030242	10	WASHER, SPRING 2-3	
43-4-12	025030232	10	WASHER, PLAIN M 3	
43-4-13	S12117000	1	FORM, 2X200X200	
43-4-14	S12487000	3	FOLDING BLADE CLAMP, INNER	
43-4-15	018300532	6	BOLT, SOCKET M3X5	
43-5	S12111001	3	SLIT, C	
43-6	S12112001	3	SLIT, D	
43-7	062300502	6	SCREW, PAN M3X5	
43-8	028030242	6	WASHER, SPRING 2-3	
43-9	S16514000	2	SPACER, 0.05	
43-10	S16513000	2	SPACER, 0.1	

L5 . 折曲ゲ関係 (オプション部品)

L5 . Folding margin mechanism (Option parts)

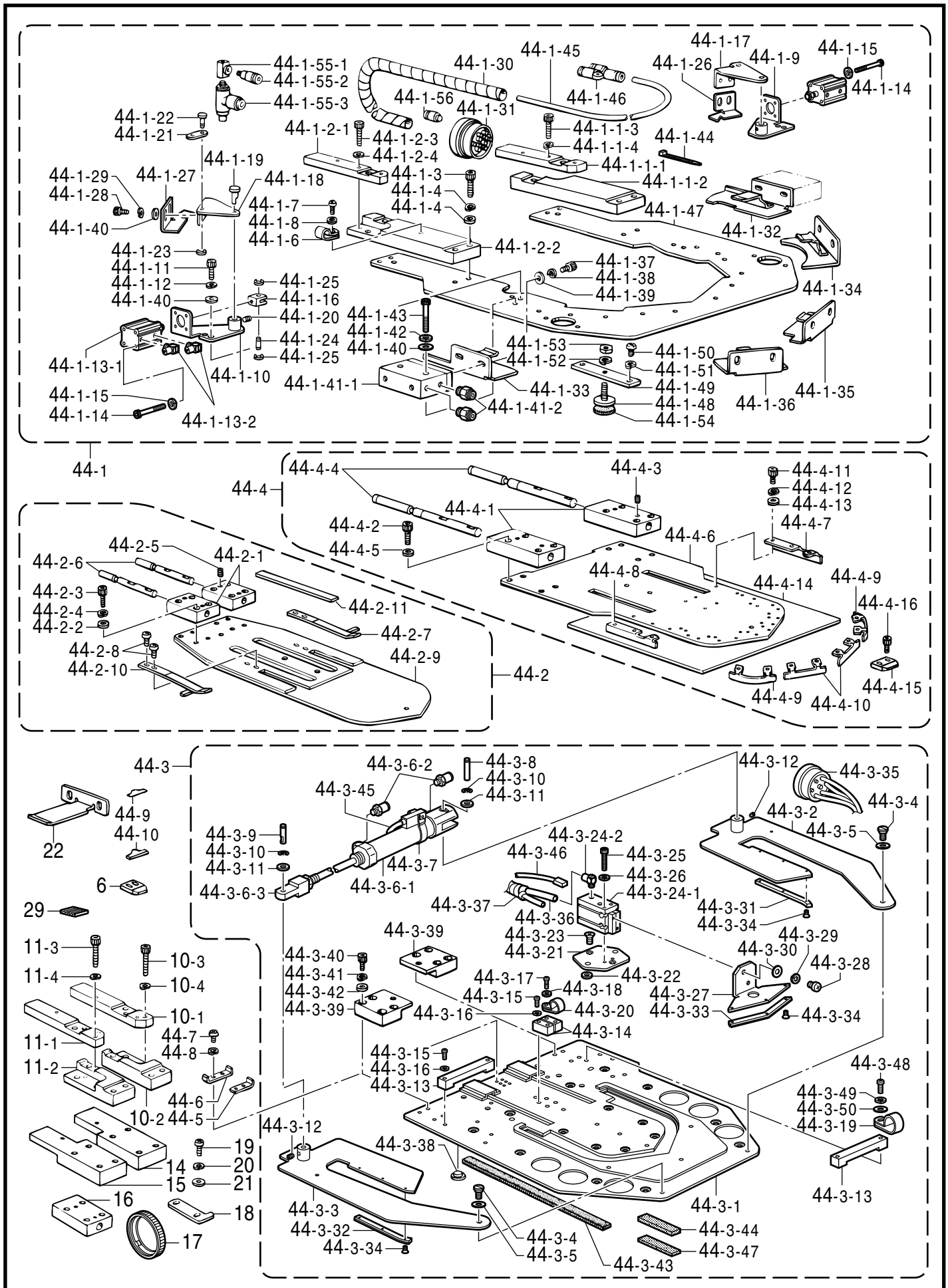


L5. Folding margin mechanism (Option parts)

REF.NO.	CODE	QTY	NAME OF PARTS	RM
6	S12494000	1	FOLDING CLAMP, SMALL	
10	S24888001	1	CONNECTING BLOCK ASSY, R	
10-1	S24460001	1	CONNECTING BLOCK, R-1	
10-2	S24461001	1	CONNECTING BLOCK, R-2	
10-3	018502022	2	BOLT, SOCKET M5X20	
10-4	028050242	2	WASHER, SPRING 2-5	
11	S24889001	1	CONNECTING BLOCK ASSY, L	
11-1	S24458001	1	CONNECTING BLOCK, L-1	
11-2	S24459001	1	CONNECTING BLOCK, L-2	
11-3	018502022	2	BOLT, SOCKET M5X20	
11-4	028050242	2	WASHER, SPRING 2-5	
14	S21121101	1	CONNECTING BLOCK, SSR	
15	S21122001	1	CONNECTING BLOCK, SSL	
16	S21123001	2	CONNECTING BLOCK, S	
17	S24828000	1	CLAMP RING, 12	
18	S24890001	1	POSITIONING PLATE, LABEL	
19	062400616	2	SCREW, PAN M4X6	
20	028040243	2	WASHER, SPRING 2-4	
21	025040233	2	WASHER, PLAIN M 4	
22	S24893000	1	FOLDING BLADE UPPER, J	
44	S38942XXX	1	F-GROUP ASSY, ROUND-2J2	
44-1	S38943XXX	1	FOLDING CLAMP ASSY, ROUND-2-J2	
44-1-1	S24886001	1	CONNECTING BLOCK ASSY, SR	
44-1-1-1	S24456001	1	CONNECTING BLOCK, SR-1	
44-1-1-2	S24457001	1	CONNECTING BLOCK, SR-2	
44-1-1-3	018502022	2	BOLT, SOCKET M5X20	
44-1-1-4	028050242	2	WASHER, SPRING 2-5	
44-1-2	S24887001	1	CONNECTING BLOCK ASSY, SL	
44-1-2-1	S24454001	1	CONNECTING BLOCK, SL-1	
44-1-2-2	S24455001	1	CONNECTING BLOCK, SL-2	
44-1-2-3	018502022	2	BOLT, SOCKET M5X20	
44-1-2-4	028050242	2	WASHER, SPRING 2-5	
44-1-3	018502522	8	BOLT, SOCKET M5X25	
44-1-4	028050242	8	WASHER, SPRING 2-5	
44-1-5	S20246001	8	WASHER, PLAIN L 5	
44-1-6	552907000	1	CORD HOLDER, 10N	
44-1-7	062400806	1	SCREW, PAN M4X8	
44-1-8	025040233	1	WASHER, PLAIN M 4	
44-1-9	S33217001	1	TUCKING BASE, RJ-15	
44-1-10	S33218001	1	TUCKING BASE, LJ-15	
44-1-11	018400832	4	BOLT, SOCKET M4X8	
44-1-12	028040242	4	WASHER, SPRING 2-4	
44-1-13	S33219000	2	CYLINDER ASSY, 12X15	
44-1-13-1	S33220000	2	CYLINDER, 12X15	
44-1-13-2	S11433000	4	HOSE NIPPLE, 4M5	
44-1-14	S12642009	8	BOLT, SOCKET M3X35	
44-1-15	028030243	8	WASHER, SPRING 2-3	
44-1-16	S12093001	2	KNUCKLE	
44-1-17	S24785000	1	HINGE, RJ	
44-1-18	S24786000	1	HINGE, LJ	
44-1-19	S12096001	2	PIN	
44-1-20	014400522	2	SET SCREW, SOCKET (CP) M4X5	
44-1-21	S12097001	2	TIE PLATE	
44-1-22	S12098001	2	PIN	
44-1-23	048050342	2	RETAINING RING, E5	
29	S34559000	1	“ For Supply parts “ PRESSER BELT	

L5 . 折曲ゲ関係 (オプション部品)

L5 . Folding margin mechanism (Option parts)



L5. Folding margin mechanism (Option parts)

REF.NO.	CODE	QTY	NAME OF PARTS	RM
44-1-24	S12099001	2	KNUCKLE PIN	
44-1-25	048050342	4	RETAINING RING, E5	
44-1-26	S24787000	1	TUCKING BLADE, RJ	
44-1-27	S24788000	1	TUCKING BLADE, LJ	
44-1-28	018400632	4	BOLT, SOCKET M4X6	
44-1-29	028040242	4	WASHER, SPRING 2-4	
44-1-30	S12214000	1	SPIRAL, 640L	
44-1-31	S12106000	1	MULTI CONNECTOR, P	
44-1-32	S38944XXX	1	FOLDING BLADE, R-ROUND-2-J2	
44-1-33	S38945XXX	1	FOLDING BLADE, L-ROUND-2-J2	
44-1-34	S38946XXX	2	FOLDING BLADE, S-ROUND-2-J2	
44-1-35	S38947XXX	1	FOLDING BLADE, SR-ROUND-2-J2	
44-1-36	S38948XXX	1	FOLDING BLADE, SL-ROUND-2-J2	
44-1-37	018500822	12	BOLT, SOCKET M5X8	
44-1-38	028050242	12	WASHER, SPRING 2-5	
44-1-39	S20246001	12	WASHER, PLAIN L 5	
44-1-40	158722002	20	WASHER, PLAIN 4.2	
44-1-41	S24789000	6	TWIN ROD CYLINDER ASSY	
44-1-41-1	S24790000	6	TWIN ROD CYLINDER, 20	
44-1-41-2	S11433000	12	HOSE NIPPLE, 4M5	
44-1-42	028040242	12	WASHER, SPRING 2-4	
44-1-43	018403022	12	BOLT, SOCKET M4X30	
44-1-44	S04159000	4	BAND, 1M	
44-1-45	S12205000	1	AIR TUBE, 4X2.5-29	
44-1-46	S12104000	10	UNION, Y4	
44-1-47	S38949XXX	1	F-BLADE CLAMP, ROUND-2-J2	
44-1-48	S12291001	2	ADJUSTING SCREW	
44-1-49	S12294001	2	SETTING PLATE, FOLDING CLAMP	
44-1-50	062401006	4	SCREW, PAN M4X10	
44-1-51	028040243	4	WASHER, SPRING 2-4	
44-1-52	028060243	2	WASHER, SPRING 2-6	
44-1-53	021060206	2	NUT, 2 M6	
44-1-54	S12297000	2	SPONGE, 2-30	
44-1-55	S15564000	1	T-ASSY, M5	
44-1-55-1	S15563000	1	T-M5	
44-1-55-2	S04905000	1	HALF UNION	
44-1-55-3	S14328000	2	THROTTLE VALVE	
44-1-56	S19555000	1	CAP, 4	
44-2	S38950XXX	1	CENTER BLADE ASSY, ROUND-2-J2	
44-2-1	S12107001	2	CONNECTING BLOCK, GAUGE	
44-2-2	158722002	8	WASHER, PLAIN 4.2	
44-2-3	018402032	8	BOLT, SOCKET M4X20	
44-2-4	028040242	8	WASHER, SPRING 2-4	
44-2-5	014500522	4	SET SCREW, SOCKET (CP) M5	
44-2-6	S12108001	2	CONNECTING PIN, GAUGE	
44-2-7	S38952XXX	1	SPRING, PLATE R-0.8-ROUND-2-J2	
44-2-8	060300414	4	SCREW, BIND M3X4	
44-2-9	S38951XXX	1	CENTER BLADE, ROUND-2-J2	
44-2-10	S38953XXX	1	SPRING, PLATE L-0.8-ROUND-2-J2	
44-2-11	S24802000	2	CLAMP BLADE, GAUGE 1.6J	
44-3	S38979XXX	1	F-GROUP ASSY, ROUND-2J2	
44-3-1	S38980XXX	1	WORK CLAMP, LO ROUND-2-J2	
44-3-2	S38981XXX	1	WORK CLAMP, UP R-ROUND-2-J2	
44-3-3	S38982XXX	1	WORK CLAMP, UP L-ROUND-2-J2	
44-3-4	145478101	2	SHOULDER SCREW, SOCKET SM4.76	
44-3-5	025060136	2	WASHER, PLAIN S 6	
44-3-6	S37452000	1	CYLINDER ASSY, 16X45	
44-3-6-1	S37453000	1	CYLINDER, 16X45	

L5. Folding margin mechanism (Option parts)

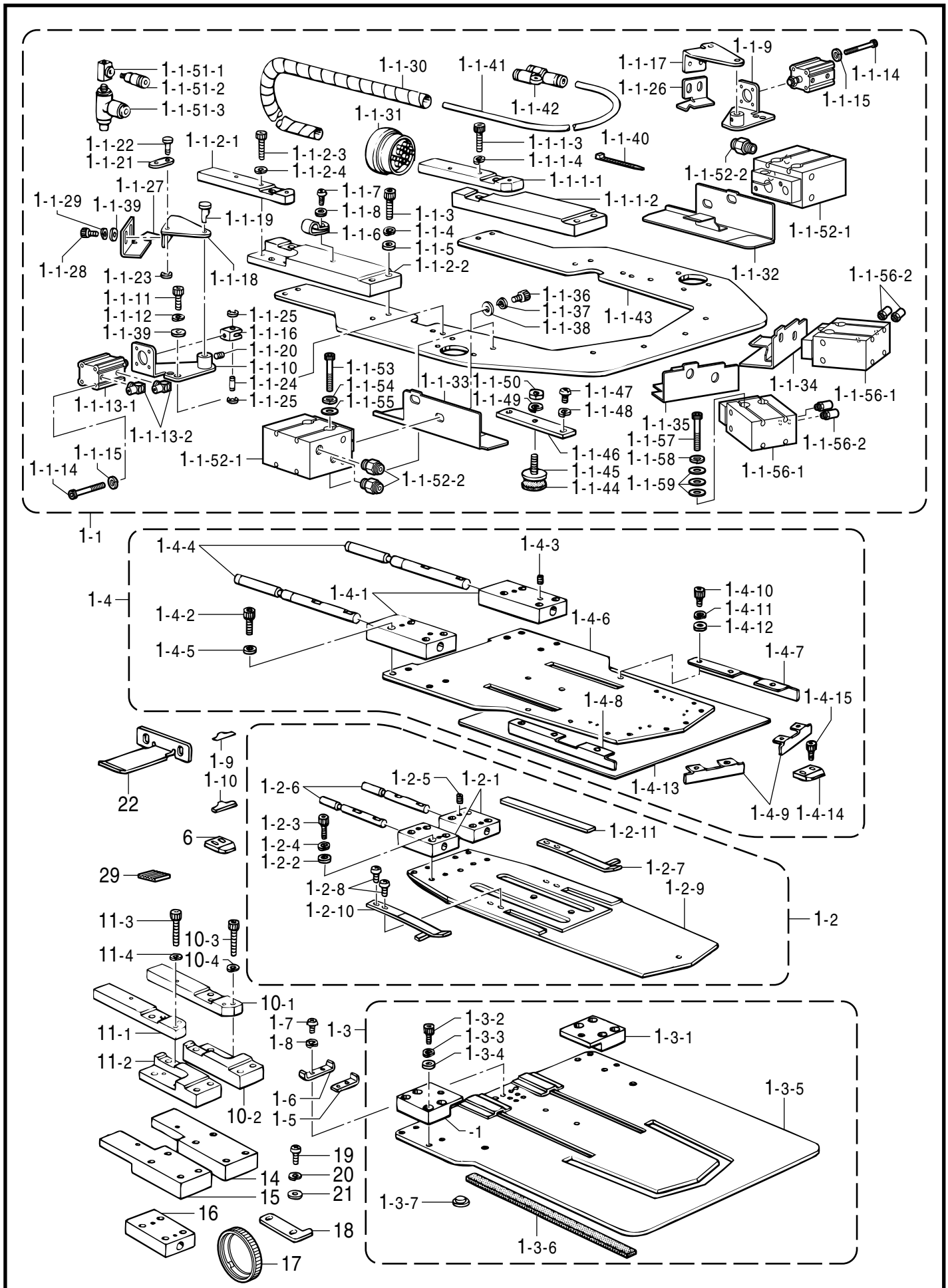
REF.NO.	CODE	QTY	NAME OF PARTS	RM
44-3-6-2	S11433000	2	HOSE NIPPLE, 4M5	
44-3-6-3	S37454000	1	KNUCLE JOINT	
44-3-7	S37459000	1	SWITCH SETTING BRACKET, 16	
44-3-8	S37450001	1	HINGE PIN, R	
44-3-9	S37451001	1	HINGE PIN, L	
44-3-10	048040346	2	RETAINING RING, E4	
44-3-11	025050233	2	WASHER, PLAIN M 5	
44-3-12	014400522	2	SET SCREW, SOCKET (CP) M4X5	
44-3-13	S37457000	2	WORK CLAMP GUIDE, 1	
44-3-14	S37458000	2	WORK CLAMP GUIDE, 2	
44-3-15	062401416	6	SCREW, PAN M4X14	
44-3-16	028040243	6	WASHER, SPRING 2-4	
44-3-17	062401616	1	SCREW, PAN M4X16	
44-3-18	025040233	1	WASHER, PLAIN M 4	
44-3-19	554482000	1	CORD HOLDER, 12N	
44-3-20	S00480000	1	CORD HOLDER, 5N	
44-3-21	S38983000	1	WORK CLAMP, UP ROUND-2-J2	
44-3-22	S03303001	2	COLLAR	
44-3-23	004400802	2	SCREW, FLAT M4X8	
44-3-24	S37455000	1	CYLINDER ASSY, 16X5	
44-3-24-1	S37456000	1	CYLINDER, 16X5	
44-3-24-2	S11433000	2	HOSE NIPPLE, 4M5	
44-3-25	S32294001	2	BOLT, SOCKET M4X35	
44-3-26	028040243	2	WASHER, SPRING 2-4	
44-3-27	S38984XXX	1	WORK CLAMP, UP D-ROUND-2-J2	
44-3-28	062400806	2	SCREW, PAN M4X8	
44-3-29	028040243	2	WASHER, SPRING 2-4	
44-3-30	025040233	2	WASHER, PLAIN M 4	
44-3-31	S38985XXX	1	SPACER, R-ROUND-2-J2	
44-3-32	S38986XXX	1	SPACER, L-ROUND-2-J2	
44-3-33	S38987XXX	1	SPACER, D-ROUND-2-J2	
44-3-34	100191005	9	SCREW, FLAT SM2.38	
44-3-35	S19549000	1	MULTI CONNECTOR, 6P	
44-3-36	S12198000	1	AIR TUBE, 4X2.5-22 L=1300	
44-3-37	S12212000	1	SPIRAL, 290S	
44-3-38	S12279000	24	CLAMP BLADE, CLAMP	
44-3-39	S12110001	2	CONNECTING BLOCK, CLAMP	
44-3-40	018401022	8	BOLT, SOCKET M4X10	
44-3-41	028040242	8	WASHER, SPRING 2-4	
44-3-42	158722002	8	WASHER, PLAIN 4.2	
44-3-43	S12298000	1	FORM, 3X15X1000	
44-3-44	S12116000	1	SPONGE, 3X200X200	
44-3-45	S38182000	1	SENSOR ASSY, D-H7A1	
44-3-46	S38183000	1	SENSOR ASSY, D-A96	
44-3-47	S12117000	1	FORM, 2X200X200	
44-3-48	002401813	1	SCREW, PAN M4X18	
44-3-49	028040243	1	WASHER, SPRING 2-4	
44-3-50	025040233	1	WASHER, PLAIN M 4	
44-4	S38954XXX	1	INNER CLAMP ASSY, ROUND-2-J2	
44-4-1	S12113001	2	CONNECTING BLOCK, INNER	
44-4-2	018502522	8	BOLT, SOCKET M5X25	
44-4-3	014500522	4	SET SCREW, SOCKET (CP) M5	
44-4-4	S12114001	2	CONNECTING PIN, INNER	
44-4-5	S20246001	8	WASHER, PLAIN L 5	
44-4-6	S38955XXX	1	INNER CLAMP, ROUND-2-J2	
44-4-7	S38956XXX	1	INNER CLAMP, UP-1 ROUND-2-J2	
44-4-8	S38957XXX	1	INNER CLAMP, UP-2 ROUND-2-J2	
44-4-9	S38958XXX	2	INNER CLAMP, UP-3 ROUND-2-J2	

L5. Folding margin mechanism (Option parts)

REF.NO.	CODE	QTY	NAME OF PARTS	RM
44-4-10	S38959XXX	2	INNER CLAMP, UP-4 ROUND-2-J2	
44-4-11	018300532	14	BOLT, SOCKET M3X5	
44-4-12	028030242	14	WASHER, SPRING 2-3	
44-4-13	025030232	14	WASHER, PLAIN M 3	
44-4-14	S12117000	1	FORM, 2X200X200	
44-4-15	S12487000	6	FOLDING BLADE CLAMP, INNER	
44-4-16	018300532	12	BOLT, SOCKET M3X5	
44-5	S12111001	3	SLIT, C	
44-6	S12112001	3	SLIT, D	
44-7	062300502	6	SCREW, PAN M3X5	
44-8	028030242	6	WASHER, SPRING 2-3	
44-9	S16514000	2	SPACER, 0.05	
44-10	S16513000	2	SPACER, 0.1	

L6 . 折曲ゲ関係 (オプション部品)

L6 . Folding margin mechanism (Option parts)



L6.Folding margin mechanism (Option parts)

REF.NO.	CODE	QTY	NAME OF PARTS	RM
1	S43645XXX	1	F-GROUP ASSY, TRIANGLE-J	
1-1	S43646XXX	1	FOLDING CLAMP ASSY, TRIANGLE-J	
1-1-1	S24886001	1	CONNECTING BLOCK ASSY, SR	
1-1-1-1	S24456001	1	CONNECTING BLOCK, SR-1	
1-1-1-2	S24457001	1	CONNECTING BLOCK, SR-2	
1-1-1-3	018502022	2	BOLT, SOCKET M5X20	
1-1-1-4	028050242	2	WASHER, SPRING 2-5	
1-1-2	S24887001	1	CONNECTING BLOCK ASSY, SL	
1-1-2-1	S24454001	1	CONNECTING BLOCK, SL-1	
1-1-2-2	S24455001	1	CONNECTING BLOCK, SL-2	
1-1-2-3	018502022	2	BOLT, SOCKET M5X20	
1-1-2-4	028050242	2	WASHER, SPRING 2-5	
1-1-3	018502522	8	BOLT, SOCKET M5X25	
1-1-4	028050242	8	WASHER, SPRING 2-5	
1-1-5	S20246001	8	WASHER, PLAIN L 5	
1-1-6	552907000	1	CORD HOLDER, 10N	
1-1-7	062400806	1	SCREW, PAN M4X8	
1-1-8	025040233	1	WASHER, PLAIN M 4	
1-1-9	S33217001	1	TUCKING BASE, RJ-15	
1-1-10	S33218001	1	TUCKING BASE, LJ-15	
1-1-11	018400832	4	BOLT, SOCKET M4X8	
1-1-12	028040242	4	WASHER, SPRING 2-4	
1-1-13	S38889000	2	CYLINDER ASSY, 12X15	
1-1-13-1	S33220000	2	CYLINDER, 12X15	
1-1-13-2	S12150000	4	TUBE ELBOW, M-5HL-4	
1-1-14	S12642009	8	BOLT, SOCKET M3X35	
1-1-15	028030243	8	WASHER, SPRING 2-3	
1-1-16	S12093001	2	KNUCKLE	
1-1-17	S24785000	1	HINGE, RJ	
1-1-18	S24786000	1	HINGE, LJ	
1-1-19	S12096001	2	PIN	
1-1-20	014400522	2	SET SCREW, SOCKET (CP) M4X5	
1-1-21	S12097001	2	TIE PLATE	
1-1-22	S12098001	2	PIN	
1-1-23	048050342	2	RETAINING RING, E5	
1-1-24	S12099001	2	KNUCKLE PIN	
1-1-25	048050342	4	RETAINING RING, E5	
1-1-26	S24787100	1	TUCKING BLADE, RJ	
1-1-27	S24788100	1	TUCKING BLADE, LJ	
1-1-28	018400632	4	BOLT, SOCKET M4X6	
1-1-29	028040242	4	WASHER, SPRING 2-4	
1-1-30	S12214000	1	SPIRAL, 640L	
1-1-31	S12106000	1	MULTI CONNECTOR, P	
1-1-32	S24841XXX	1	FOLDING BLADE, R-TRIANGLE-J	
1-1-33	S24842XXX	1	FOLDING BLADE, L-TRIANGLE-J	
1-1-34	S24843XXX	1	FOLDING BLADE, RD-TRIANGLE-J	
1-1-35	S24844XXX	1	FOLDING BLADE, LD-TRIANGLE-J	
1-1-36	018500822	8	BOLT, SOCKET M5X8	
1-1-37	028050242	8	WASHER, SPRING 2-5	
1-1-38	S20246001	8	WASHER, PLAIN L 5	
1-1-39	158722002	8	WASHER, PLAIN 4.2	
1-1-40	S04159000	4	BAND, 1M	
1-1-41	S12205000	1	AIR TUBE, 4X2.5-29	
1-1-42	S12104000	4	UNION, Y4	
1-1-43	S24791XXX	1	FOLDING CLAMP, TRIANGLE-J	
1-1-44	S12297000	2	SPONGE, 2-30	
1-1-45	S12291001	2	ADJUSTING SCREW	
1-1-46	S12294001	2	SETTING PLATE, FOLDING CLAMP	

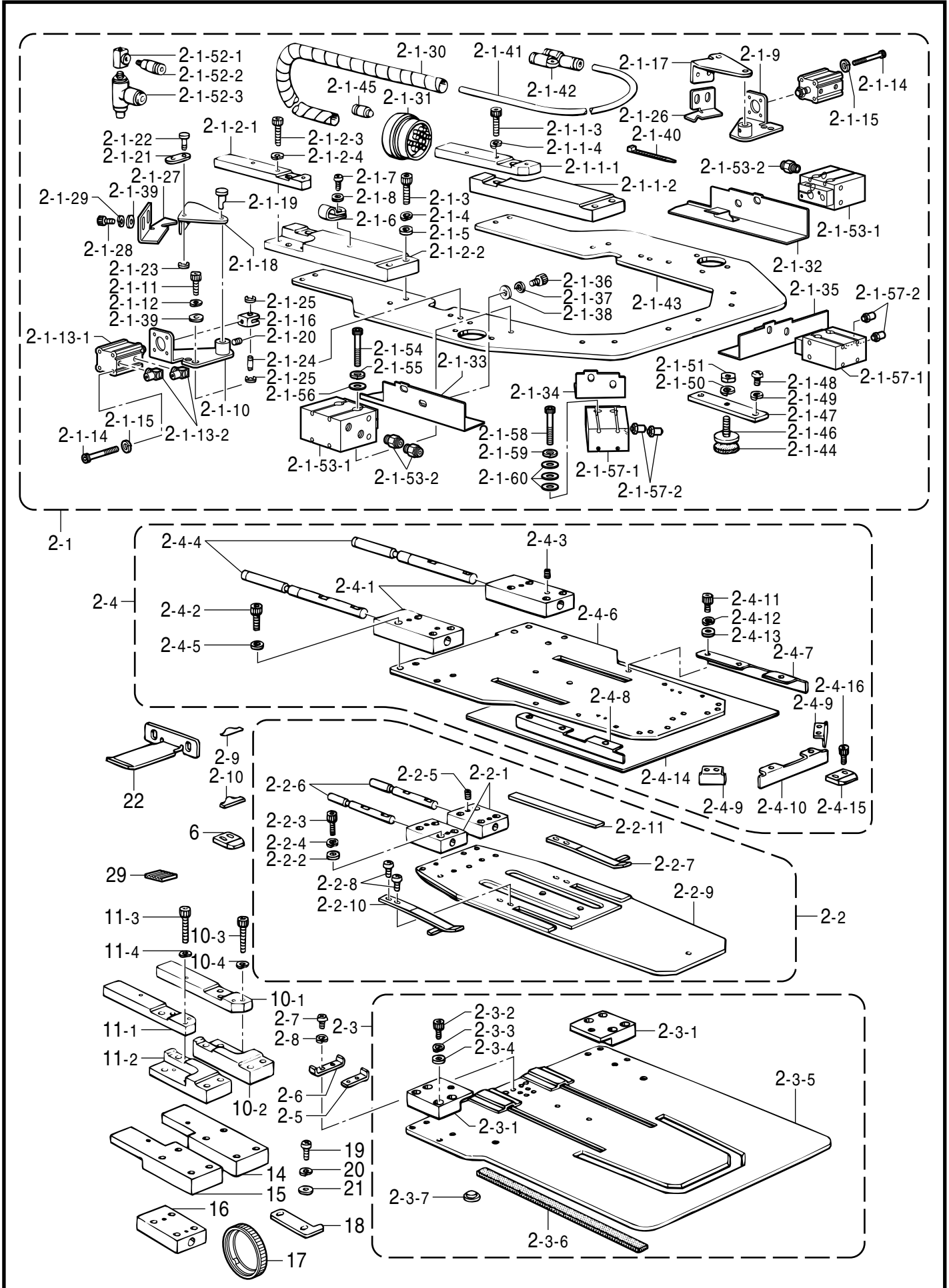
L6. Folding margin mechanism (Option parts)

REF.NO.	CODE	QTY	NAME OF PARTS	RM
1-1-47	062401006	4	SCREW, PAN M4X10	
1-1-48	028040243	4	WASHER, SPRING 2-4	
1-1-49	028060243	2	WASHER, SPRING 2-6	
1-1-50	021060206	2	NUT, 2 M6	
1-1-51	S15564000	1	T-ASSY, M5	
1-1-51-1	S15563000	1	T-M5	
1-1-51-2	S04905000	1	HALF UNION	
1-1-51-3	S14328000	2	THROTTLE VALVE	
1-1-52	S37853000	2	CYLINDER ASSY, 32X15	
1-1-52-1	S37854000	2	CYLINDER, 32X15	
1-1-52-2	S04910000	4	HALF UNION	
1-1-53	S32294001	4	BOLT, SOCKET M4X35	
1-1-54	028040246	4	WASHER, SPRING 2-4	
1-1-55	025040236	4	WASHER, PLAIN M 4	
1-1-56	S37855000	2	CYLINDER ASSY, 25X15	
1-1-56-1	S37856000	2	CYLINDER, 25X15	
1-1-56-2	S11433000	4	HOSE NIPPLE, 4M5	
1-1-57	018403036	4	BOLT, SOCKET M4X30	
1-1-58	028040246	4	WASHER, SPRING 2-4	
1-1-59	025040136	12	WASHER, PLAIN S 4	
1-2	S24792XXX	1	CENTER BLADE ASSY, TRIANGLE-J	
1-2-1	S12107001	2	CONNECTING BLOCK, GAUGE	
1-2-2	158722002	8	WASHER, PLAIN 4.2	
1-2-3	018402032	8	BOLT, SOCKET M4X20	
1-2-4	028040242	8	WASHER, SPRING 2-4	
1-2-5	014500522	4	SET SCREW, SOCKET (CP) M5	
1-2-6	S12108001	2	CONNECTING PIN, GAUGE	
1-2-7	S29181XXX	1	SPRING, PLATE R-0.8-TRIANGLE-J	
1-2-8	060300414	4	SCREW, BIND M3X4	
1-2-9	S24793XXX	1	CENTER BLADE, TRIANGLE-J	
1-2-10	S29182XXX	1	SPRING, PLATE L-0.8-TRIANGLE-J	
1-2-11	S24802XXX	2	CLAMP BLADE, GAUGE 1.6J	
1-3	S24794XXX	1	WORK CLAMP ASSY, TRIANGLE-J	
1-3-1	S12110001	2	CONNECTING BLOCK, CLAMP	
1-3-2	018401022	8	BOLT, SOCKET M4X10	
1-3-3	028040242	8	WASHER, SPRING 2-4	
1-3-4	158722002	8	WASHER, PLAIN 4.2	
1-3-5	S24795XXX	1	WORK CLAMP, TRIANGLE-J	
1-3-6	S12298000	2	FORM, 3X15X1000	
1-3-7	S12279000	6	CLAMP BLADE, CLAMP	
1-4	S24796XXX	1	INNER CLAMP ASSY, TRIANGLE-J	
1-4-1	S12113001	2	CONNECTING BLOCK, INNER	
1-4-2	018502522	8	BOLT, SOCKET M5X25	
1-4-3	014500522	4	SET SCREW, SOCKET (CP) M5	
1-4-4	S12114001	2	CONNECTING PIN, INNER	
1-4-5	S20246001	8	WASHER, PLAIN L 5	
1-4-6	S24826XXX	1	INNER CLAMP, TRIANGLE-J	
1-4-7	S24861XXX	1	INNER CLAMP BLADE-1, TRIAN.-J	
1-4-8	S24862XXX	1	INNER CLAMP BLADE-2, TRIAN.-J	
1-4-9	S24863XXX	2	INNER CLAMP BLADE-3, TRIAN.-J	
1-4-10	018300532	10	BOLT, SOCKET M3X5	
1-4-11	028030242	10	WASHER, SPRING 2-3	
1-4-12	025030232	10	WASHER, PLAIN M 3	
1-4-13	S12117000	1	FORM, 2X200X200	
1-4-14	S12487000	4	FOLDING BLADE CLAMP, INNER	
1-4-15	018300532	8	BOLT, SOCKET M3X5	
1-5	S12111001	3	SLIT, C	
1-6	S12112001	3	SLIT, D	

L6. Folding margin mechanism (Option parts)

REF.NO.	CODE	QTY	NAME OF PARTS	RM
1-7	062300502	6	SCREW, PAN M3X5	
1-8	028030242	6	WASHER, SPRING 2-3	
1-9	S16514000	2	SPACER, 0.05	
1-10	S16513000	2	SPACER, 0.1	
6	S12494000	1	FOLDING CLAMP, SMALL	
10	S24888001	1	CONNECTING BLOCK ASSY, R	
10-1	S24460001	1	CONNECTING BLOCK, R-1	
10-2	S24461001	1	CONNECTING BLOCK, R-2	
10-3	018502022	2	BOLT, SOCKET M5X20	
10-4	028050242	2	WASHER, SPRING 2-5	
11	S24889001	1	CONNECTING BLOCK ASSY, L	
11-1	S24458001	1	CONNECTING BLOCK, L-1	
11-2	S24459001	1	CONNECTING BLOCK, L-2	
11-3	018502022	2	BOLT, SOCKET M5X20	
11-4	028050242	2	WASHER, SPRING 2-5	
14	S21121101	1	CONNECTING BLOCK, SSR	
15	S21122001	1	CONNECTING BLOCK, SSL	
16	S21123001	2	CONNECTING BLOCK, S	
17	S24828000	1	CLAMP RING, 12	
18	S24890001	1	POSITIONING PLATE, LABEL	
19	062400616	2	SCREW, PAN M4X6	
20	028040243	2	WASHER, SPRING 2-4	
21	025040233	2	WASHER, PLAIN M 4	
22	S24893000	1	FOLDING BLADE UPPER, J	
29	S34559000	1	“ For Supply parts “ PRESSER BELT	

L7 . 折曲ゲ関係 (オプション部品)
L7 . Folding margin mechanism (Option parts)



L7. Folding margin mechanism (Option parts)

REF.NO.	CODE	QTY	NAME OF PARTS	RM
2	S43647XXX	1	F-GROUP ASSY, MITER-J	
2-1	S43648XXX	1	FOLDING CLAMP ASSY, MITER-J	
2-1-1	S24886001	1	CONNECTING BLOCK ASSY, SR	
2-1-1-1	S24456001	1	CONNECTING BLOCK, SR-1	
2-1-1-2	S24457001	1	CONNECTING BLOCK, SR-2	
2-1-1-3	018502022	2	BOLT, SOCKET M5X20	
2-1-1-4	028050242	2	WASHER, SPRING 2-5	
2-1-2	S24887001	1	CONNECTING BLOCK ASSY, SL	
2-1-2-1	S24454001	1	CONNECTING BLOCK, SL-1	
2-1-2-2	S24455001	1	CONNECTING BLOCK, SL-2	
2-1-2-3	018502022	2	BOLT, SOCKET M5X20	
2-1-2-4	028050242	2	WASHER, SPRING 2-5	
2-1-3	018502522	8	BOLT, SOCKET M5X25	
2-1-4	028050242	8	WASHER, SPRING 2-5	
2-1-5	S20246001	8	WASHER, PLAIN L 5	
2-1-6	552907000	1	CORD HOLDER, 10N	
2-1-7	062400806	1	SCREW, PAN M4X8	
2-1-8	025040233	1	WASHER, PLAIN M 4	
2-1-9	S33217001	1	TUCKING BASE, RJ-15	
2-1-10	S33218001	1	TUCKING BASE, LJ-15	
2-1-11	018400832	4	BOLT, SOCKET M4X8	
2-1-12	028040242	4	WASHER, SPRING 2-4	
2-1-13	S38889000	2	CYLINDER ASSY, 12X15	
2-1-13-1	S33220000	2	CYLINDER, 12X15	
2-1-13-2	S12150000	4	TUBE ELBOW, M-5HL-4	
2-1-14	S12642009	8	BOLT, SOCKET M3X35	
2-1-15	028030243	8	WASHER, SPRING 2-3	
2-1-16	S12093001	2	KNUCKLE	
2-1-17	S24785000	1	HINGE, RJ	
2-1-18	S24786000	1	HINGE, LJ	
2-1-19	S12096001	2	PIN	
2-1-20	014400522	2	SET SCREW, SOCKET (CP) M4X5	
2-1-21	S12097001	2	TIE PLATE	
2-1-22	S12098001	2	PIN	
2-1-23	048050342	2	RETAINING RING, E5	
2-1-24	S12099001	2	KNUCKLE PIN	
2-1-25	048050342	4	RETAINING RING, E5	
2-1-26	S24787100	1	TUCKING BLADE, RJ	
2-1-27	S24788100	1	TUCKING BLADE, LJ	
2-1-28	018400632	4	BOLT, SOCKET M4X6	
2-1-29	028040242	4	WASHER, SPRING 2-4	
2-1-30	S12214000	1	SPIRAL, 640L	
2-1-31	S12106000	1	MULTI CONNECTOR, P	
2-1-32	S24845XXX	1	FOLDING BLADE, R-MITER-J	
2-1-33	S24846XXX	1	FOLDING BLADE, L-MITER-J	
2-1-34	S24847XXX	2	FOLDING BLADE, S-MITER-J	
2-1-35	S24848XXX	1	FOLDING BLADE, M-MITER-J	
2-1-36	018500822	10	BOLT, SOCKET M5X8	
2-1-37	028050242	10	WASHER, SPRING 2-5	
2-1-38	S20246001	10	WASHER, PLAIN L 5	
2-1-39	158722002	8	WASHER, PLAIN 4.2	
2-1-40	S04159000	4	BAND, 1M	
2-1-41	S12205000	1	AIR TUBE, 4X2.5-29	
2-1-42	S12104000	8	UNION, Y4	
2-1-43	S24799XXX	1	FOLDING CLAMP, MITER-J	
2-1-44	S12297000	2	SPONGE, 2-30	
2-1-45	S19555000	2	CAP, 4	
2-1-46	S12291001	2	ADJUSTING SCREW	

L7. Folding margin mechanism (Option parts)

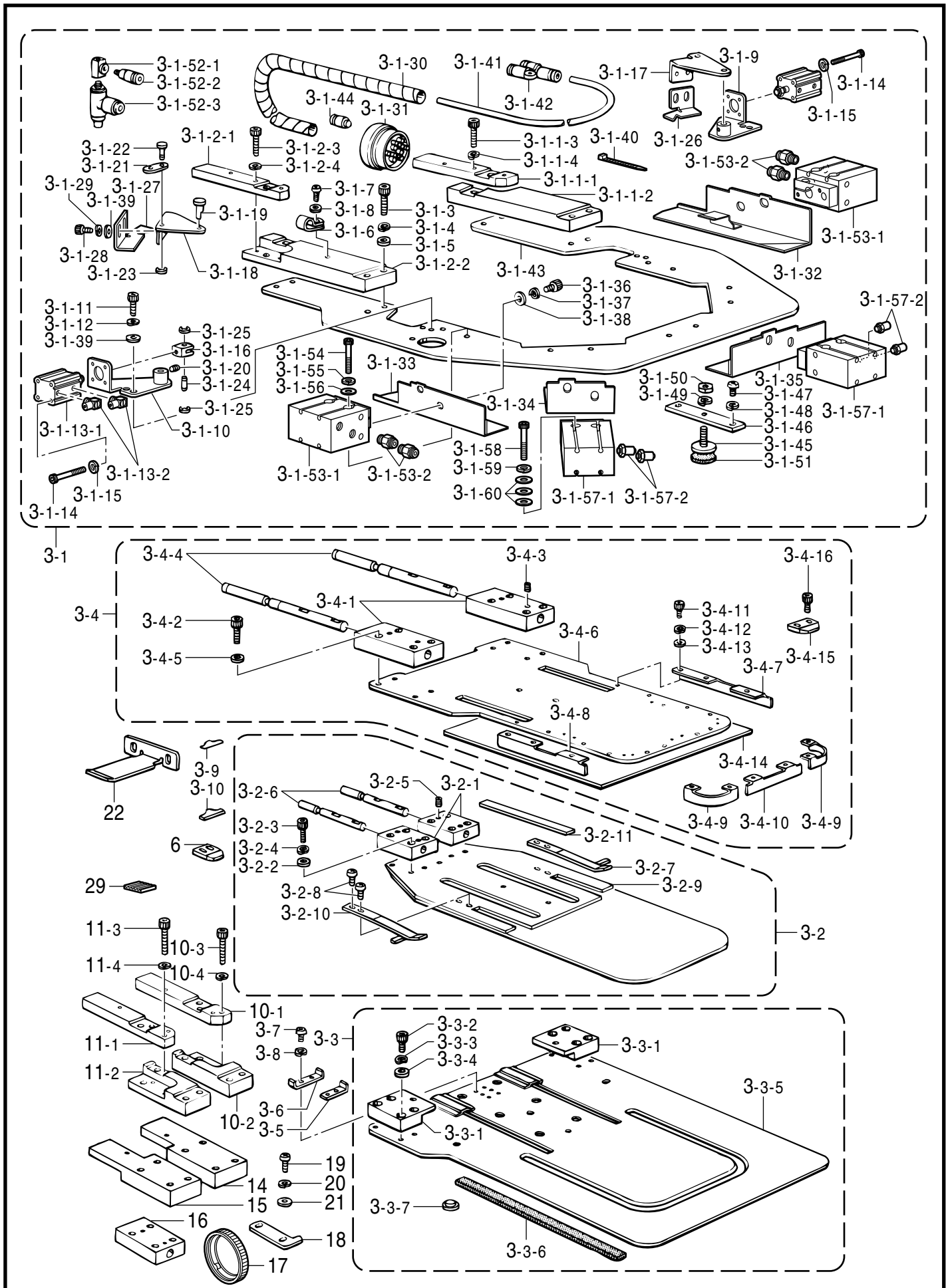
REF.NO.	CODE	QTY	NAME OF PARTS	RM
2-1-47	S12294001	2	SETTING PLATE, FOLDING CLAMP	
2-1-48	062401006	4	SCREW, PAN M4X10	
2-1-49	028040243	4	WASHER, SPRING 2-4	
2-1-50	028060243	2	WASHER, SPRING 2-6	
2-1-51	021060206	2	NUT, 2 M6	
2-1-52	S15564000	1	T-ASSY, M5	
2-1-52-1	S15563000	1	T-M5	
2-1-52-2	S04905000	1	HALF UNION	
2-1-52-3	S14328000	2	THROTTLE VALVE	
2-1-53	S37853000	2	CYLINDER ASSY, 32X15	
2-1-53-1	S37854000	2	CYLINDER, 32X15	
2-1-53-2	S04910000	4	HALF UNION	
2-1-54	S32294001	4	BOLT, SOCKET M4X35	
2-1-55	028040246	4	WASHER, SPRING 2-4	
2-1-56	025040236	4	WASHER, PLAIN M 4	
2-1-57	S37855000	3	CYLINDER ASSY, 25X15	
2-1-57-1	S37856000	3	CYLINDER, 25X15	
2-1-57-2	S11433000	6	HOSE NIPPLE, 4M5	
2-1-58	018403036	6	BOLT, SOCKET M4X30	
2-1-59	028040246	6	WASHER, SPRING 2-4	
2-1-60	025040136	18	WASHER, PLAIN S 4	
2-2	S24800XXX	1	CENTER BLADE ASSY, MITER-J	
2-2-1	S12107001	2	CONNECTING BLOCK, GAUGE	
2-2-2	158722002	8	WASHER, PLAIN 4.2	
2-2-3	018402032	8	BOLT, SOCKET M4X20	
2-2-4	028040242	8	WASHER, SPRING 2-4	
2-2-5	014500522	4	SET SCREW, SOCKET (CP) M5	
2-2-6	S12108001	2	CONNECTING PIN, GAUGE	
2-2-7	S29183000	1	SPRING, PLATE R-0.8-MITER-J	
2-2-8	060300414	4	SCREW, BIND M3X4	
2-2-9	S24801XXX	1	CENTER BLADE, MITER-J	
2-2-10	S29184XXX	1	SPRING, PLATE L-0.8-MITER-J	
2-2-11	S24802000	2	CLAMP BLADE, GAUGE 1.6J	
2-3	S24805XXX	1	WORK CLAMP ASSY, MITER-J	
2-3-1	S12110001	2	CONNECTING BLOCK, CLAMP	
2-3-2	018401022	8	BOLT, SOCKET M4X10	
2-3-3	028040242	8	WASHER, SPRING 2-4	
2-3-4	158722002	8	WASHER, PLAIN 4.2	
2-3-5	S24806XXX	1	WORK CLAMP, MITER-J	
2-3-6	S12298000	2	FORM, 3X15X1000	
2-3-7	S12279000	6	CLAMP BLADE, CLAMP	
2-4	S24807000	1	INNER CLAMP ASSY, MITER-J	
2-4-1	S12113001	2	CONNECTING BLOCK, INNER	
2-4-2	018502522	8	BOLT, SOCKET M5X25	
2-4-3	014500522	4	SET SCREW, SOCKET (CP) M5	
2-4-4	S12114001	2	CONNECTING PIN, INNER	
2-4-5	S20246001	8	WASHER, PLAIN L 5	
2-4-6	S24827XXX	1	INNER CLAMP, MITER-J	
2-4-7	S24864XXX	1	INNER CLAMP BLADE-1, MITER-J	
2-4-8	S24865XXX	1	INNER CLAMP BLADE-2, MITER-J	
2-4-9	S24866XXX	2	INNER CLAMP BLADE-3, MITER-J	
2-4-10	S24867XXX	1	INNER CLAMP BLADE-4, MITER-J	
2-4-11	018300532	12	BOLT, SOCKET M3X5	
2-4-12	028030242	12	WASHER, SPRING 2-3	
2-4-13	025030232	12	WASHER, PLAIN M 3	
2-4-14	S12117000	1	FORM, 2X200X200	
2-4-15	S12487000	3	FOLDING BLADE CLAMP, INNER	
2-4-16	018300532	6	BOLT, SOCKET M3X5	

L7. Folding margin mechanism (Option parts)

REF.NO.	CODE	QTY	NAME OF PARTS	RM
2-5	S12111001	3	SLIT, C	
2-6	S12112001	3	SLIT, D	
2-7	062300502	6	SCREW, PAN M3X5	
2-8	028030242	6	WASHER, SPRING 2-3	
2-9	S16514000	2	SPACER, 0.05	
2-10	S16513000	2	SPACER, 0.1	
6	S12494000	1	FOLDING CLAMP, SMALL	
10	S24888001	1	CONNECTING BLOCK ASSY, R	
10-1	S24460001	1	CONNECTING BLOCK, R-1	
10-2	S24461001	1	CONNECTING BLOCK, R-2	
10-3	018502022	2	BOLT, SOCKET M5X20	
10-4	028050242	2	WASHER, SPRING 2-5	
11	S24889001	1	CONNECTING BLOCK ASSY, L	
11-1	S24458001	1	CONNECTING BLOCK, L-1	
11-2	S24459001	1	CONNECTING BLOCK, L-2	
11-3	018502022	2	BOLT, SOCKET M5X20	
11-4	028050242	2	WASHER, SPRING 2-5	
14	S21121101	1	CONNECTING BLOCK, SSR	
15	S21122001	1	CONNECTING BLOCK, SSL	
16	S21123001	2	CONNECTING BLOCK, S	
17	S24828000	1	CLAMP RING, 12	
18	S24890001	1	POSITIONING PLATE, LABEL	
19	062400616	2	SCREW, PAN M4X6	
20	028040243	2	WASHER, SPRING 2-4	
21	025040233	2	WASHER, PLAIN M 4	
22	S24893000	1	FOLDING BLADE UPPER, J	
29	S34559000	1	“ For Supply parts “ PRESSER BELT	

L8 . 折曲ゲ関係 (オプション部品)

L8 . Folding margin mechanism (Option parts)



L8. Folding margin mechanism (Option parts)

REF.NO.	CODE	QTY	NAME OF PARTS	RM
3	S43649XXX	1	F-GROUP ASSY, ROUND-1J	
3-1	S43650XXX	1	FOLDING CLAMP ASSY, ROUND-1J	
3-1-1	S24886001	1	CONNECTING BLOCK ASSY, SR	
3-1-1-1	S24456001	1	CONNECTING BLOCK, SR-1	
3-1-1-2	S24457001	1	CONNECTING BLOCK, SR-2	
3-1-1-3	018502022	2	BOLT, SOCKET M5X20	
3-1-1-4	028050242	2	WASHER, SPRING 2-5	
3-1-2	S24887001	1	CONNECTING BLOCK ASSY, SL	
3-1-2-1	S24454001	1	CONNECTING BLOCK, SL-1	
3-1-2-2	S24455001	1	CONNECTING BLOCK, SL-2	
3-1-2-3	018502022	2	BOLT, SOCKET M5X20	
3-1-2-4	028050242	2	WASHER, SPRING 2-5	
3-1-3	018502522	8	BOLT, SOCKET M5X25	
3-1-4	028050242	8	WASHER, SPRING 2-5	
3-1-5	S20246001	8	WASHER, PLAIN L 5	
3-1-6	552907000	1	CORD HOLDER, 10N	
3-1-7	062400806	1	SCREW, PAN M4X8	
3-1-8	025040233	1	WASHER, PLAIN M 4	
3-1-9	S33217001	1	TUCKING BASE, RJ-15	
3-1-10	S33218001	1	TUCKING BASE, LJ-15	
3-1-11	018400832	4	BOLT, SOCKET M4X8	
3-1-12	028040242	4	WASHER, SPRING 2-4	
3-1-13	S38889000	2	CYLINDER ASSY, 12X15	
3-1-13-1	S33220000	2	CYLINDER, 12X15	
3-1-13-2	S12150000	4	TUBE ELBOW, M-5HL-4	
3-1-14	S12642009	8	BOLT, SOCKET M3X35	
3-1-15	028030243	8	WASHER, SPRING 2-3	
3-1-16	S12093001	2	KNUCKLE	
3-1-17	S24785000	1	HINGE, RJ	
3-1-18	S24786000	1	HINGE, LJ	
3-1-19	S12096001	2	PIN	
3-1-20	014400522	2	SET SCREW, SOCKET (CP) M4X5	
3-1-21	S12097001	2	TIE PLATE	
3-1-22	S12098001	2	PIN	
3-1-23	048050342	2	RETAINING RING, E5	
3-1-24	S12099001	2	KNUCKLE PIN	
3-1-25	048050342	4	RETAINING RING, E5	
3-1-26	S24787100	1	TUCKING BLADE, RJ	
3-1-27	S24788100	1	TUCKING BLADE, LJ	
3-1-28	018400632	4	BOLT, SOCKET M4X6	
3-1-29	028040242	4	WASHER, SPRING 2-4	
3-1-30	S12214000	1	SPIRAL, 640L	
3-1-31	S12106000	1	MULTI CONNECTOR, P	
3-1-32	S24849XXX	1	FOLDING BLADE, R-ROUND-1J	
3-1-33	S24850XXX	1	FOLDING BLADE, L-ROUND-1J	
3-1-34	S24851XXX	2	FOLDING BLADE, S-ROUND-1J	
3-1-35	S24852XXX	1	FOLDING BLADE, M-ROUND-1J	
3-1-36	018500822	10	BOLT, SOCKET M5X8	
3-1-37	028050242	10	WASHER, SPRING 2-5	
3-1-38	S20246001	10	WASHER, PLAIN L 5	
3-1-39	158722002	8	WASHER, PLAIN 4.2	
3-1-40	S04159000	4	BAND, 1M	
3-1-41	S12205000	1	AIR TUBE, 4X2.5-29	
3-1-42	S12104000	8	UNION, Y4	
3-1-43	S24810XXX	1	FOLDING CLAMP, ROUND-1J	
3-1-44	S19555000	2	CAP, 4	
3-1-45	S12291001	2	ADJUSTING SCREW	
3-1-46	S12294001	2	SETTING PLATE, FOLDING CLAMP	

L8. Folding margin mechanism (Option parts)

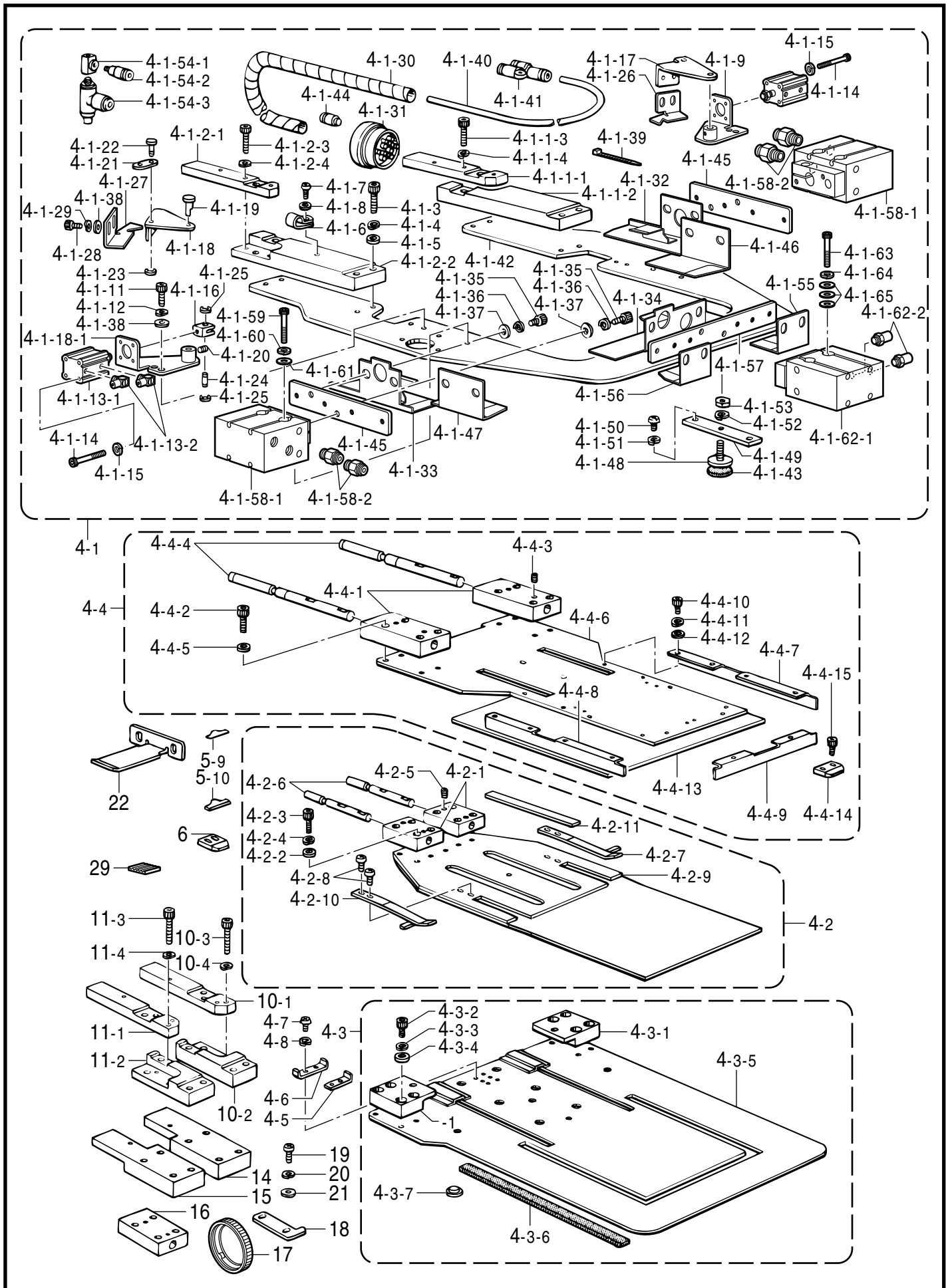
REF.NO.	CODE	QTY	NAME OF PARTS	RM
3-1-47	062401006	4	SCREW, PAN M4X10	
3-1-48	028040243	4	WASHER, SPRING 2-4	
3-1-49	028060243	2	WASHER, SPRING 2-6	
3-1-50	021060206	2	NUT, 2 M6	
3-1-51	S12297000	2	SPONGE, 2-30	
3-1-52	S15564000	1	T-ASSY, M5	
3-1-52-1	S15563000	1	T-M5	
3-1-52-2	S04905000	1	HALF UNION	
3-1-52-3	S14328000	2	THROTTLE VALVE	
3-1-53	S37853000	2	CYLINDER ASSY, 32X15	
3-1-53-1	S37854000	2	CYLINDER, 32X15	
3-1-53-2	S04910000	4	HALF UNION	
3-1-54	S32294001	4	BOLT, SOCKET M4X35	
3-1-55	028040246	4	WASHER, SPRING 2-4	
3-1-56	025040236	4	WASHER, PLAIN M 4	
3-1-57	S37855000	3	CYLINDER ASSY, 25X15	
3-1-57-1	S37856000	3	CYLINDER, 25X15	
3-1-57-2	S11433000	6	HOSE NIPPLE, 4M5	
3-1-58	018403036	6	BOLT, SOCKET M4X30	
3-1-59	028040246	6	WASHER, SPRING 2-4	
3-1-60	025040136	18	WASHER, PLAIN S 4	
3-2	S24811XXX	1	CENTER BLADE ASSY, ROUND-1J	
3-2-1	S12107001	2	CONNECTING BLOCK, GAUGE	
3-2-2	158722002	8	WASHER, PLAIN 4.2	
3-2-3	018402032	8	BOLT, SOCKET M4X20	
3-2-4	028040242	8	WASHER, SPRING 2-4	
3-2-5	014500522	4	SET SCREW, SOCKET (CP) M5	
3-2-6	S12108001	2	CONNECTING PIN, GAUGE	
3-2-7	S29185XXX	1	SPRING, PLATE R-0.8-ROUND-1J	
3-2-8	060300414	4	SCREW, BIND M3X4	
3-2-9	S24812XXX	1	CENTER BLADE, ROUND-1J	
3-2-10	S29186XXX	1	SPRING, PLATE L-0.8-ROUND-1J	
3-2-11	S24802000	2	CLAMP BLADE, GAUGE 1.6J	
3-3	S24813XXX	1	WORK CLAMP ASSY, ROUND-1J	
3-3-1	S12110001	2	CONNECTING BLOCK, CLAMP	
3-3-2	018401022	8	BOLT, SOCKET M4X10	
3-3-3	028040242	8	WASHER, SPRING 2-4	
3-3-4	158722002	8	WASHER, PLAIN 4.2	
3-3-5	S24814XXX	1	WORK CLAMP, ROUND-1J	
3-3-6	S12298000	2	FORM, 3X15X1000	
3-3-7	S12279000	6	CLAMP BLADE, CLAMP	
3-4	S24815XXX	1	INNER CLAMP ASSY, ROUND-1J	
3-4-1	S12113001	2	CONNECTING BLOCK, INNER	
3-4-2	018502522	8	BOLT, SOCKET M5X25	
3-4-3	014500522	4	SET SCREW, SOCKET (CP) M5	
3-4-4	S12114001	2	CONNECTING PIN, INNER	
3-4-5	S20246001	8	WASHER, PLAIN L 5	
3-4-6	S24816XXX	1	INNER CLAMP, ROUND-1J	
3-4-7	S24868XXX	1	INNER CLAMP UPPER-1, ROUND-1J	
3-4-8	S24869XXX	1	INNER CLAMP UPPER-2, ROUND-1J	
3-4-9	S24870XXX	2	INNER CLAMP UPPER-3, ROUND-1J	
3-4-10	S24871XXX	1	INNER CLAMP UPPER-4, ROUND-1J	
3-4-11	018300532	12	BOLT, SOCKET M3X5	
3-4-12	028030242	12	WASHER, SPRING 2-3	
3-4-13	025030232	12	WASHER, PLAIN M 3	
3-4-14	S12117000	1	FORM, 2X200X200	
3-4-15	S12487000	5	FOLDING BLADE CLAMP, INNER	
3-4-16	018300532	10	BOLT, SOCKET M3X5	

L8. Folding margin mechanism (Option parts)

REF.NO.	CODE	QTY	NAME OF PARTS	RM
3-4-13	025030232	12	WASHER, PLAIN M 3	
3-4-14	S12117000	1	FORM, 2X200X200	
3-4-15	S12487000	5	FOLDING BLADE CLAMP, INNER	
3-4-16	018300532	10	BOLT, SOCKET M3X5	
3-5	S12111001	3	SLIT, C	
3-6	S12112001	3	SLIT, D	
3-7	062300502	6	SCREW, PAN M3X5	
3-8	028030242	6	WASHER, SPRING 2-3	
3-9	S16514000	2	SPACER, 0.05	
3-10	S16513000	2	SPACER, 0.1	
6	S12494000	1	FOLDING CLAMP, SMALL	
10	S24888001	1	CONNECTING BLOCK ASSY, R	
10-1	S24460001	1	CONNECTING BLOCK, R-1	
10-2	S24461001	1	CONNECTING BLOCK, R-2	
10-3	018502022	2	BOLT, SOCKET M5X20	
10-4	028050242	2	WASHER, SPRING 2-5	
11	S24889001	1	CONNECTING BLOCK ASSY, L	
11-1	S24458001	1	CONNECTING BLOCK, L-1	
11-2	S24459001	1	CONNECTING BLOCK, L-2	
11-3	018502022	2	BOLT, SOCKET M5X20	
11-4	028050242	2	WASHER, SPRING 2-5	
14	S21121101	1	CONNECTING BLOCK, SSR	
15	S21122001	1	CONNECTING BLOCK, SSL	
16	S21123001	2	CONNECTING BLOCK, S	
17	S24828000	1	CLAMP RING, 12	
18	S24890001	1	POSITIONING PLATE, LABEL	
19	062400616	2	SCREW, PAN M4X6	
20	028040243	2	WASHER, SPRING 2-4	
21	025040233	2	WASHER, PLAIN M 4	
22	S24893000	1	FOLDING BLADE UPPER, J	
29	S34559000	1	“ For Supply parts “ PRESSER BELT	

L9 . 折曲ゲ関係 (オプション部品)

L9 . Folding margin mechanism (Option parts)



L9. Folding margin mechanism (Option parts)

REF.NO.	CODE	QTY	NAME OF PARTS	RM
4	S43651XXX	1	F-GROUP ASSY, SQUARE-J	
4-1	S43652XXX	1	FOLDING CLAMP ASSY, SQUARE-J	
4-1-1	S24886001	1	CONNECTING BLOCK ASSY, SR	
4-1-1-1	S24456001	1	CONNECTING BLOCK, SR-1	
4-1-1-2	S24457001	1	CONNECTING BLOCK, SR-2	
4-1-1-3	018502022	2	BOLT, SOCKET M5X20	
4-1-1-4	028050242	2	WASHER, SPRING 2-5	
4-1-2	S24887001	1	CONNECTING BLOCK ASSY, SL	
4-1-2-1	S24454001	1	CONNECTING BLOCK, SL-1	
4-1-2-2	S24455001	1	CONNECTING BLOCK, SL-2	
4-1-2-3	018502022	2	BOLT, SOCKET M5X20	
4-1-2-4	028050242	2	WASHER, SPRING 2-5	
4-1-3	018502522	8	BOLT, SOCKET M5X25	
4-1-4	028050242	8	WASHER, SPRING 2-5	
4-1-5	S20246001	8	WASHER, PLAIN L 5	
4-1-6	552907000	1	CORD HOLDER, 10N	
4-1-7	062400806	1	SCREW, PAN M4X8	
4-1-8	025040233	1	WASHER, PLAIN M 4	
4-1-9	S33217001	1	TUCKING BASE, RJ-15	
4-1-10	S33218001	1	TUCKING BASE, LJ-15	
4-1-11	018400832	4	BOLT, SOCKET M4X8	
4-1-12	028040242	4	WASHER, SPRING 2-4	
4-1-13	S38889000	2	CYLINDER ASSY, 12X15	
4-1-13-1	S33220000	2	CYLINDER, 12X15	
4-1-13-2	S12150000	4	TUBE ELBOW, M-5HL-4	
4-1-14	S12642009	8	BOLT, SOCKET M3X35	
4-1-15	028030243	8	WASHER, SPRING 2-3	
4-1-16	S12093001	2	KNUCKLE	
4-1-17	S24785000	1	HINGE, RJ	
4-1-18	S24786000	1	HINGE, LJ	
4-1-19	S12096001	2	PIN	
4-1-20	014400522	2	SET SCREW, SOCKET (CP) M4X5	
4-1-21	S12097001	2	TIE PLATE	
4-1-22	S12098001	2	PIN	
4-1-23	048050342	2	RETAINING RING, E5	
4-1-24	S12099001	2	KNUCKLE PIN	
4-1-25	048050342	4	RETAINING RING, E5	
4-1-26	S24787100	1	TUCKING BLADE, RJ	
4-1-27	S24788100	1	TUCKING BLADE, LJ	
4-1-28	018400632	4	BOLT, SOCKET M4X6	
4-1-29	028040242	4	WASHER, SPRING 2-4	
4-1-30	S12214000	1	SPIRAL, 640L	
4-1-31	S12106000	1	MULTI CONNECTOR, P	
4-1-32	S24853XXX	1	FOLDING BLADE, R-SQUARE-J	
4-1-33	S24854XXX	1	FOLDING BLADE, L-SQUARE-J	
4-1-34	S24855XXX	1	FOLDING BLADE, D-SQUARE-J	
4-1-35	018500822	20	BOLT, SOCKET M5X8	
4-1-36	028050242	20	WASHER, SPRING 2-5	
4-1-37	S20246001	20	WASHER, PLAIN L 5	
4-1-38	158722002	8	WASHER, PLAIN 4.2	
4-1-39	S04159000	4	BAND, 1M	
4-1-40	S12205000	1	AIR TUBE, 4X2.5-29	
4-1-41	S12104000	4	UNION, Y4	
4-1-42	S24819XXX	1	FOLDING CLAMP, SQUARE-J	
4-1-43	S12297000	2	SPONGE, 2-30	
4-1-44	S19555000	2	CAP, 4	
4-1-45	S29203XXX	2	FOLDING BLADE CLAMP, SQUARE-J	
4-1-46	S24856XXX	1	FOLDING BLADE, RD-SQUARE-J	

L9. Folding margin mechanism (Option parts)

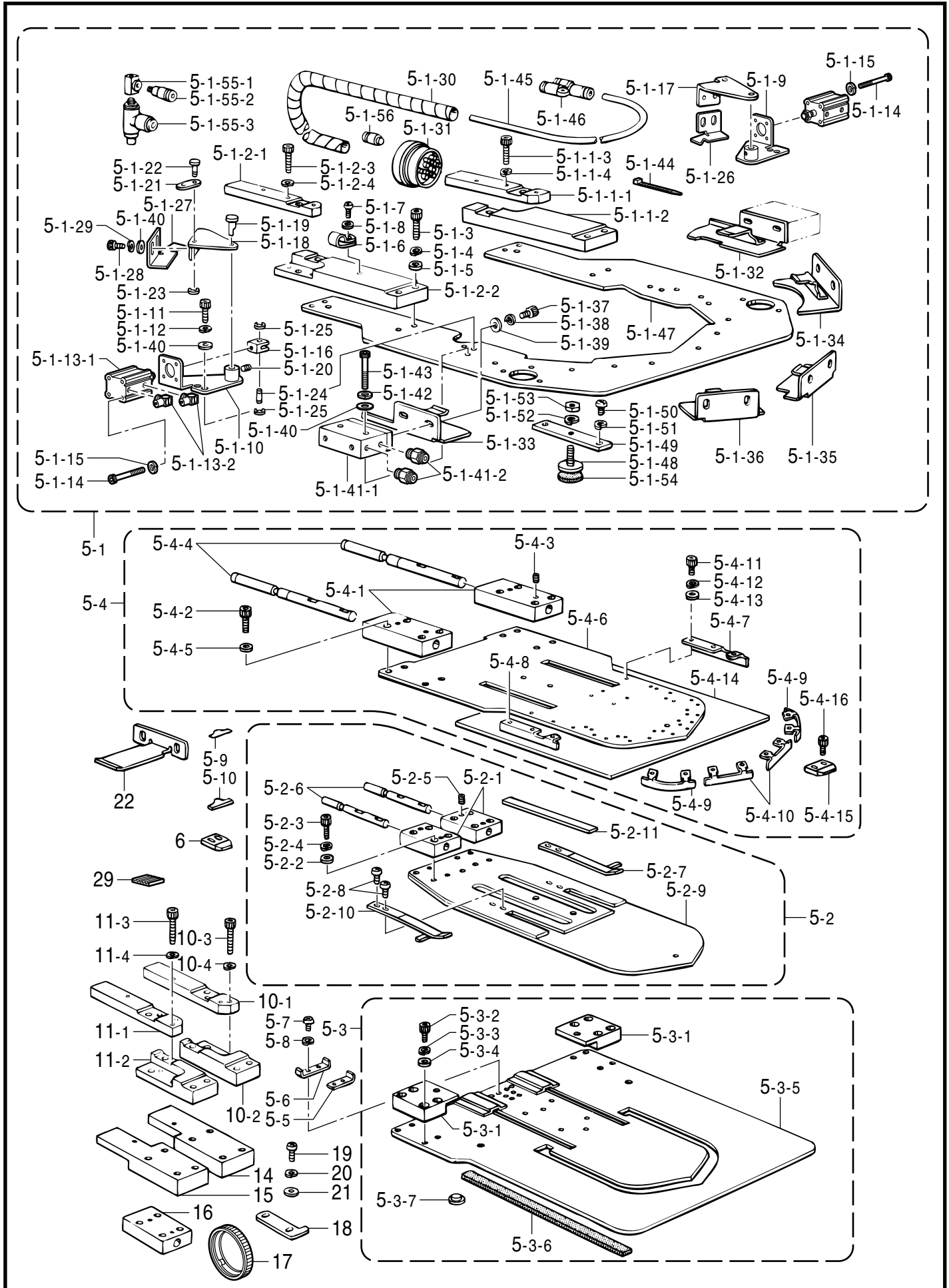
REF.NO.	CODE	QTY	NAME OF PARTS	RM
4-1-47	S24857XXX	1	FOLDING BLADE, LD-SQUARE-J	
4-1-48	S12291001	2	ADJUSTING SCREW	
4-1-49	S12294001	2	SETTING PLATE, FOLDING CLAMP	
4-1-50	062401006	4	SCREW, PAN M4X10	
4-1-51	028040243	4	WASHER, SPRING 2-4	
4-1-52	028060243	2	WASHER, SPRING 2-6	
4-1-53	021060206	2	NUT, 2 M6	
4-1-54	S15564000	1	T-ASSY, M5	
4-1-54-1	S15563000	1	T-M5	
4-1-54-2	S04905000	1	HALF UNION	
4-1-54-3	S14328000	2	THROTTLE VALVE	
4-1-55	S24858XXX	1	FOLDING BLADE, RDD-SQUARE-J	
4-1-56	S24859XXX	1	FOLDING BLADE, LDD-SQUARE-J	
4-1-57	S24860XXX	1	F-BLADE CLAMP, D-SQUARE-J	
4-1-58	S37853000	2	CYLINDER ASSY, 32X15	
4-1-58-1	S37854000	2	CYLINDER, 32X15	
4-1-58-2	S04910000	4	HALF UNION	
4-1-59	S32294001	4	BOLT, SOCKET M4X35	
4-1-60	028040246	4	WASHER, SPRING 2-4	
4-1-61	025040236	4	WASHER, PLAIN M 4	
4-1-62	S37855000	1	CYLINDER ASSY, 25X15	
4-1-62-1	S37856000	1	CYLINDER, 25X15	
4-1-62-2	S11433000	2	HOSE NIPPLE, 4M5	
4-1-63	018403036	2	BOLT, SOCKET M4X30	
4-1-64	028040246	2	WASHER, SPRING 2-4	
4-1-65	025040136	6	WASHER, PLAIN S 4	
4-2	S24825XXX	1	CENTER BLADE ASSY, SQUARE-J	
4-2-1	S12107001	2	CONNECTING BLOCK, GAUGE	
4-2-2	158722002	8	WASHER, PLAIN 4.2	
4-2-3	018402032	8	BOLT, SOCKET M4X20	
4-2-4	028040242	8	WASHER, SPRING 2-4	
4-2-5	014500522	4	SET SCREW, SOCKET (CP) M5	
4-2-6	S12108001	2	CONNECTING PIN, GAUGE	
4-2-7	S29187XXX	1	SPRING, PLATE R-0.8-SQUARE-J	
4-2-8	060300414	4	SCREW, BIND M3X4	
4-2-9	S24820XXX	1	CENTER BLADE, SQUARE-J	
4-2-10	S29188XXX	1	SPRING, PLATE L-0.8-SQUARE-J	
4-2-11	S24802000	2	CLAMP BLADE, GAUGE 1.6J	
4-3	S24821XXX	1	WORK CLAMP ASSY, SQUARE-J	
4-3-1	S12110001	2	CONNECTING BLOCK, CLAMP	
4-3-2	018401022	8	BOLT, SOCKET M4X10	
4-3-3	028040242	8	WASHER, SPRING 2-4	
4-3-4	158722002	8	WASHER, PLAIN 4.2	
4-3-5	S24822XXX	1	WORK CLAMP, SQUARE-J	
4-3-6	S12298000	2	FORM, 3X15X1000	
4-3-7	S12279000	6	CLAMP BLADE, CLAMP	
4-4	S24823XXX	1	INNER CLAMP ASSY, SQUARE-J	
4-4-1	S12113001	2	CONNECTING BLOCK, INNER	
4-4-2	018502522	8	BOLT, SOCKET M5X25	
4-4-3	014500522	4	SET SCREW, SOCKET (CP) M5	
4-4-4	S12114001	2	CONNECTING PIN, INNER	
4-4-5	S20246001	8	WASHER, PLAIN L 5	
4-4-6	S24824XXX	1	INNER CLAMP, SQUARE-J	
4-4-7	S24872XXX	1	INNER CLAMP UPPER-1, SQUARE-J	
4-4-8	S24873XXX	1	INNER CLAMP UPPER-2, SQUARE-J	
4-4-9	S24874XXX	1	INNER CLAMP UPPER-3, SQUARE-J	
4-4-10	018300532	10	BOLT, SOCKET M3X5	
4-4-11	028030242	10	WASHER, SPRING 2-3	

L9.Folding margin mechanism (Option parts)

REF.NO.	CODE	QTY	NAME OF PARTS	RM
4-4-12	025030232	10	WASHER, PLAIN M 3	
4-4-13	S12117000	1	FORM, 2X200X200	
4-4-14	S12487000	3	FOLDING BLADE CLAMP, INNER	
4-4-15	018300532	6	BOLT, SOCKET M3X5	
4-5	S12111001	3	SLIT, C	
4-6	S12112001	3	SLIT, D	
4-7	062300502	6	SCREW, PAN M3X5	
4-8	028030242	6	WASHER, SPRING 2-3	
4-9	S16514000	2	SPACER, 0.05	
4-10	S16513000	2	SPACER, 0.1	
6	S12494000	1	FOLDING CLAMP, SMALL	
10	S24888001	1	CONNECTING BLOCK ASSY, R	
10-1	S24460001	1	CONNECTING BLOCK, R-1	
10-2	S24461001	1	CONNECTING BLOCK, R-2	
10-3	018502022	2	BOLT, SOCKET M5X20	
10-4	028050242	2	WASHER, SPRING 2-5	
11	S24889001	1	CONNECTING BLOCK ASSY, L	
11-1	S24458001	1	CONNECTING BLOCK, L-1	
11-2	S24459001	1	CONNECTING BLOCK, L-2	
11-3	018502022	2	BOLT, SOCKET M5X20	
11-4	028050242	2	WASHER, SPRING 2-5	
14	S21121101	1	CONNECTING BLOCK, SSR	
15	S21122001	1	CONNECTING BLOCK, SSL	
16	S21123001	2	CONNECTING BLOCK, S	
17	S24828000	1	CLAMP RING, 12	
18	S24890001	1	POSITIONING PLATE, LABEL	
19	062400616	2	SCREW, PAN M4X6	
20	028040243	2	WASHER, SPRING 2-4	
21	025040233	2	WASHER, PLAIN M 4	
22	S24893000	1	FOLDING BLADE UPPER, J	
29	S34559000	1	“ For Supply parts “ PRESSER BELT	

L10 . 折曲ゲ関係 (オプション部品)

L10 . Folding margin mechanism (Option parts)



L10. Folding margin mechanism (Option parts)

REF.NO.	CODE	QTY	NAME OF PARTS	RM
5	S24833XXX	1	F-GROUP ASSY, ROUND-2J	
5-1	S24834XXX	1	FOLDING CLAMP ASSY, ROUND-2J	
5-1-1	S24886001	1	CONNECTING BLOCK ASSY, SR	
5-1-1-1	S24456001	1	CONNECTING BLOCK, SR-1	
5-1-1-2	S24457001	1	CONNECTING BLOCK, SR-2	
5-1-1-3	018502022	2	BOLT, SOCKET M5X20	
5-1-1-4	028050242	2	WASHER, SPRING 2-5	
5-1-2	S24887001	1	CONNECTING BLOCK ASSY, SL	
5-1-2-1	S24454001	1	CONNECTING BLOCK, SL-1	
5-1-2-2	S24455001	1	CONNECTING BLOCK, SL-2	
5-1-2-3	018502022	2	BOLT, SOCKET M5X20	
5-1-2-4	028050242	2	WASHER, SPRING 2-5	
5-1-3	018502522	8	BOLT, SOCKET M5X25	
5-1-4	028050242	8	WASHER, SPRING 2-5	
5-1-5	S20246001	8	WASHER, PLAIN L 5	
5-1-6	552907000	1	CORD HOLDER, 10N	
5-1-7	062400806	1	SCREW, PAN M4X8	
5-1-8	025040233	1	WASHER, PLAIN M 4	
5-1-9	S33217001	1	TUCKING BASE, RJ-15	
5-1-10	S33218001	1	TUCKING BASE, LJ-15	
5-1-11	018400832	4	BOLT, SOCKET M4X8	
5-1-12	028040242	4	WASHER, SPRING 2-4	
5-1-13	S33219000	2	CYLINDER ASSY, 12X15	
5-1-13-1	S33220000	2	CYLINDER, 12X15	
5-1-13-2	S11433000	4	HOSE NIPPLE, 4M5	
5-1-14	S12642009	8	BOLT, SOCKET M3X35	
5-1-15	028030243	8	WASHER, SPRING 2-3	
5-1-16	S12093001	2	KNUCKLE	
5-1-17	S24785000	1	HINGE, RJ	
5-1-18	S24786000	1	HINGE, LJ	
5-1-19	S12096001	2	PIN	
5-1-20	014400522	2	SET SCREW, SOCKET (CP) M4X5	
5-1-21	S12097001	2	TIE PLATE	
5-1-22	S12098001	2	PIN	
5-1-23	048050342	2	RETAINING RING, E5	
5-1-24	S12099001	2	KNUCKLE PIN	
5-1-25	048050342	4	RETAINING RING, E5	
5-1-26	S24787100	1	TUCKING BLADE, RJ	
5-1-27	S24788100	1	TUCKING BLADE, LJ	
5-1-28	018400632	4	BOLT, SOCKET M4X6	
5-1-29	028040242	4	WASHER, SPRING 2-4	
5-1-30	S12214000	1	SPIRAL, 640L	
5-1-31	S12106000	1	MULTI CONNECTOR, P	
5-1-32	S24835XXX	1	FOLDING BLADE, R-ROUND-2J	
5-1-33	S24836XXX	1	FOLDING BLADE, L-ROUND-2J	
5-1-34	S24837XXX	2	FOLDING BLADE, S-ROUND-2J	
5-1-35	S24838XXX	1	FOLDING BLADE, SR-ROUND-2J	
5-1-36	S24839XXX	1	FOLDING BLADE, SL-ROUND-2J	
5-1-37	018500822	12	BOLT, SOCKET M5X8	
5-1-38	028050242	12	WASHER, SPRING 2-5	
5-1-39	S20246001	12	WASHER, PLAIN L 5	
5-1-40	158722002	20	WASHER, PLAIN 4.2	
5-1-41	S24789000	6	TWIN ROD CYLINDER ASSY	
5-1-41-1	S24790000	6	TWIN ROD CYLINDER, 20	
5-1-41-2	S11433000	12	HOSE NIPPLE, 4M5	
5-1-42	028040242	12	WASHER, SPRING 2-4	
5-1-43	018403022	12	BOLT, SOCKET M4X30	
5-1-44	S04159000	4	BAND, 1M	

L10. Folding margin mechanism (Option parts)

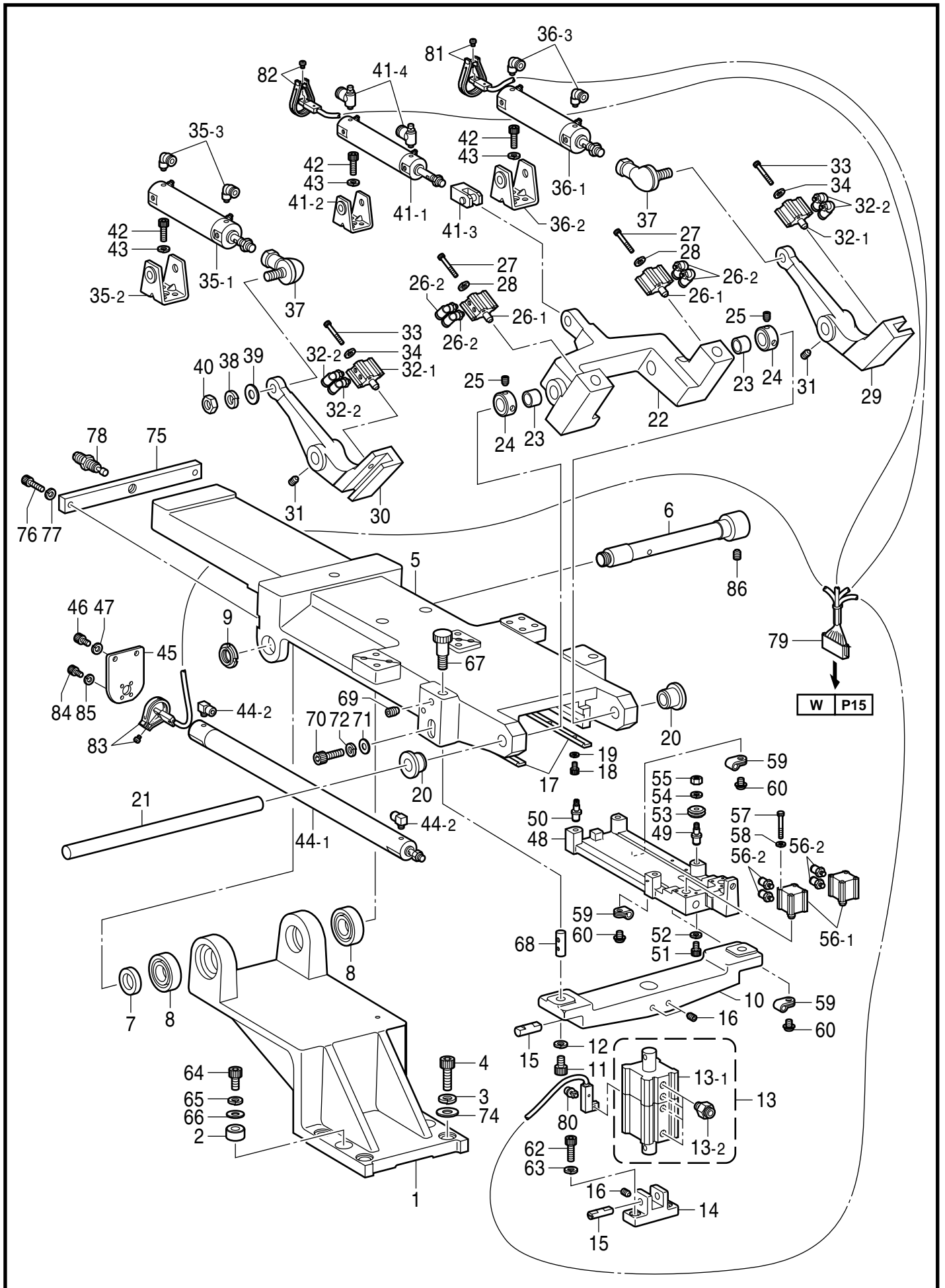
REF.NO.	CODE	QTY	NAME OF PARTS	RM
5-1-45	S12205000	1	AIR TUBE, 4X2.5-29	
5-1-46	S12104000	10	UNION, Y4	
5-1-47	S24840XXX	1	FOLDING CLAMP, ROUND-2J	
5-1-48	S12291001	2	ADJUSTING SCREW	
5-1-49	S12294001	2	SETTING PLATE, FOLDING CLAMP	
5-1-50	062401006	4	SCREW, PAN M4X10	
5-1-51	028040243	4	WASHER, SPRING 2-4	
5-1-52	028060243	2	WASHER, SPRING 2-6	
5-1-53	021060206	2	NUT, 2 M6	
5-1-54	S12297000	2	SPONGE, 2-30	
5-1-55	S15564000	1	T-ASSY, M5	
5-1-55-1	S15563000	1	T-M5	
5-1-55-2	S04905000	1	HALF UNION	
5-1-55-3	S14328000	2	THROTTLE VALVE	
5-1-56	S19555000	1	CAP, 4	
5-2	S24875XXX	1	CENTER BLADE ASSY, ROUND-2J	
5-2-1	S12107001	2	CONNECTING BLOCK, GAUGE	
5-2-2	158722002	8	WASHER, PLAIN 4.2	
5-2-3	018402032	8	BOLT, SOCKET M4X20	
5-2-4	028040242	8	WASHER, SPRING 2-4	
5-2-5	014500522	4	SET SCREW, SOCKET (CP) M5	
5-2-6	S12108001	2	CONNECTING PIN, GAUGE	
5-2-7	S29189XXX	1	SPRING, PLATE R-0.8-ROUND-2J	
5-2-8	060300414	4	SCREW, BIND M3X4	
5-2-9	S24876XXX	1	CENTER BLADE, ROUND-2J	
5-2-10	S29190XXX	1	SPRING, PLATE L-0.8-ROUND-2J	
5-2-11	S24802XXX	2	CLAMP BLADE, GAUGE 1.6J	
5-3	S24877XXX	1	WORK CLAMP ASSY, ROUND-2J	
5-3-1	S12110001	2	CONNECTING BLOCK, CLAMP	
5-3-2	018401022	8	BOLT, SOCKET M4X10	
5-3-3	028040242	8	WASHER, SPRING 2-4	
5-3-4	158722002	8	WASHER, PLAIN 4.2	
5-3-5	S24878XXX	1	WORK CLAMP, ROUND-2J	
5-3-6	S12298000	2	FORM, 3X15X1000	
5-3-7	S12279000	6	CLAMP BLADE, CLAMP	
5-4	S24879XXX	1	INNER CLAMP ASSY, ROUND-2J	
5-4-1	S12113001	2	CONNECTING BLOCK, INNER	
5-4-2	018502522	8	BOLT, SOCKET M5X25	
5-4-3	014500522	4	SET SCREW, SOCKET (CP) M5	
5-4-4	S12114001	2	CONNECTING PIN, INNER	
5-4-5	S20246001	8	WASHER, PLAIN L 5	
5-4-6	S24880XXX	1	INNER CLAMP, ROUND-2J	
5-4-7	S24881XXX	1	INNER CLAMP UPPER-1, ROUND-2J	
5-4-8	S24882XXX	1	INNER CLAMP UPPER-2, ROUND-2J	
5-4-9	S24883XXX	2	INNER CLAMP UPPER-3, ROUND-2J	
5-4-10	S24884XXX	2	INNER CLAMP UPPER-4, ROUND-2J	
5-4-11	018300532	14	BOLT, SOCKET M3X5	
5-4-12	028030242	14	WASHER, SPRING 2-3	
5-4-13	025030232	14	WASHER, PLAIN M 3	
5-4-14	S12117000	1	FORM, 2X200X200	
5-4-15	S12487000	6	FOLDING BLADE CLAMP, INNER	
5-4-16	018300532	12	BOLT, SOCKET M3X5	
5-5	S12111001	3	SLIT, C	
5-6	S12112001	3	SLIT, D	
5-7	062300502	6	SCREW, PAN M3X5	
5-8	028030242	6	WASHER, SPRING 2-3	
5-9	S16514000	2	SPACER, 0.05	
5-10	S16513000	2	SPACER, 0.1	

L10. Folding margin mechanism (Option parts)

REF.NO.	CODE	QTY	NAME OF PARTS	RM
6	S12494000	1	FOLDING CLAMP, SMALL	
10	S24888001	1	CONNECTING BLOCK ASSY, R	
10-1	S24460001	1	CONNECTING BLOCK, R-1	
10-2	S24461001	1	CONNECTING BLOCK, R-2	
10-3	018502022	2	BOLT, SOCKET M5X20	
10-4	028050242	2	WASHER, SPRING 2-5	
11	S24889001	1	CONNECTING BLOCK ASSY, L	
11-1	S24458001	1	CONNECTING BLOCK, L-1	
11-2	S24459001	1	CONNECTING BLOCK, L-2	
11-3	018502022	2	BOLT, SOCKET M5X20	
11-4	028050242	2	WASHER, SPRING 2-5	
14	S21121101	1	CONNECTING BLOCK, SSR	
15	S21122001	1	CONNECTING BLOCK, SSL	
16	S21123001	2	CONNECTING BLOCK, S	
17	S24828000	1	CLAMP RING, 12	
18	S24890001	1	POSITIONING PLATE, LABEL	
19	062400616	2	SCREW, PAN M4X6	
20	028040243	2	WASHER, SPRING 2-4	
21	025040233	2	WASHER, PLAIN M 4	
22	S24893000	1	FOLDING BLADE UPPER, J	
29	S34559000	1	“ For Supply parts “ PRESSER BELT	

M . 折曲げ土台関係

M . Folding margin base mechanism

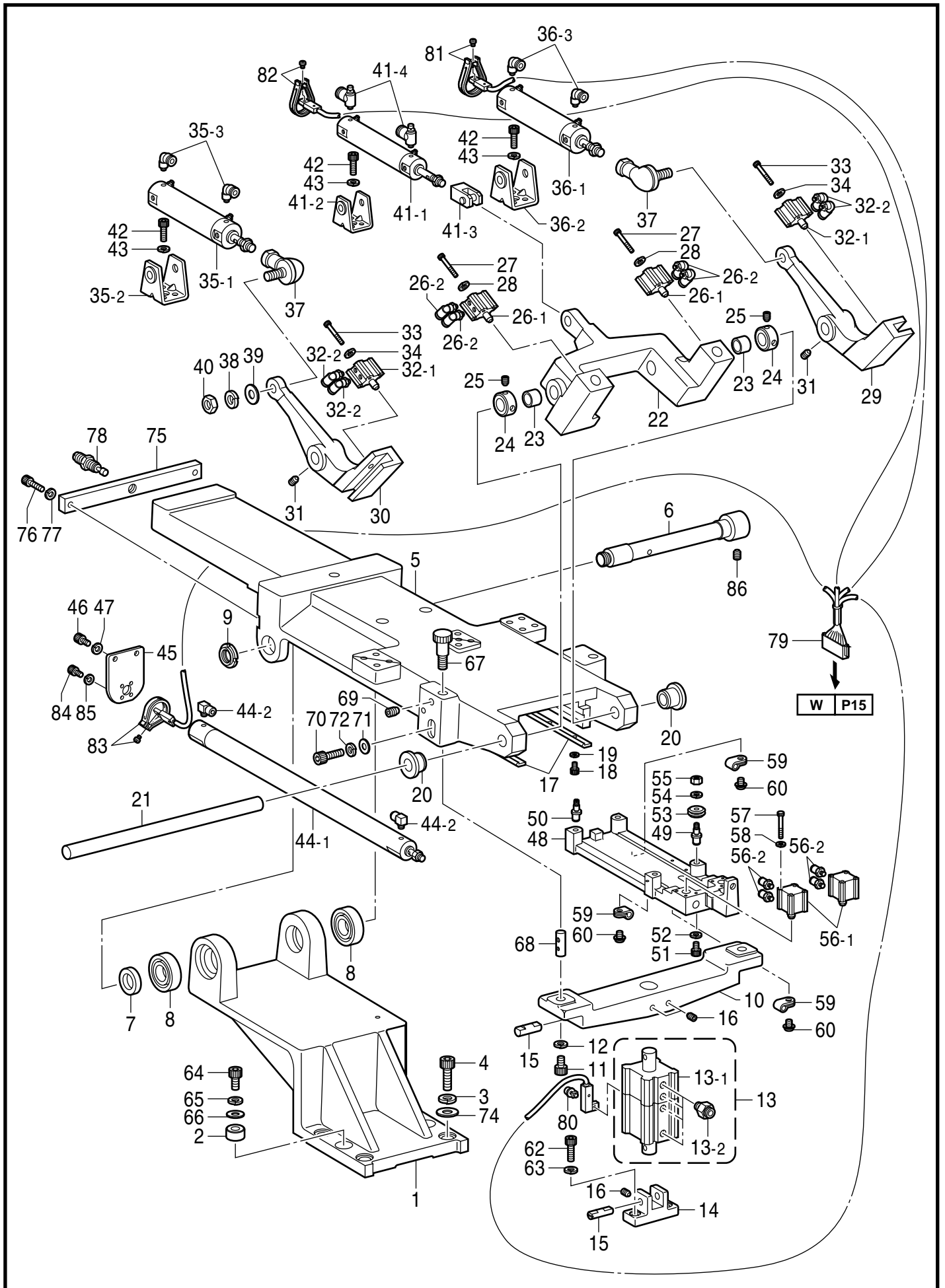


M. Folding margin base mechanism

REF.NO.	CODE	QTY	NAME OF PARTS	RM
1	S15532009	1	HINGE BASE	
2	S12119001	2	PIN	
3	028080246	4	WASHER, SPRING 2-8	
4	018082536	4	BOLT, SOCKET M8X25	
5	S45682001	1	FOLDING BASE	
6	S15530001	1	SHAFT	
7	S15531001	1	COLLAR	
8	S12123000	2	BALL BEARING, ANGULAR 2	
9	S04782000	1	NUT, U SS-AN02	
10	S45683001	1	HINGE, U	
11	018081636	2	BOLT, SOCKET M8X16	
12	028080246	2	WASHER, SPRING 2-8	
13	S46250000	1	CYLINDER ASSY, AB-THIN	
13-1	S46251000	1	CYLINDER, AB-THIN	
13-2	S01522000	4	HALF UNION	
14	S12127109	1	HINGE	
15	S12128101	2	HINGE SHAFT, F-BASE	
16	012500536	4	SET SCREW, SOCKET (FT) M5X5	
17	S12129000	2	TRACK RAIL	
18	018400836	20	BOLT, SOCKET M4X8	
19	028040246	20	WASHER, SPRING 2-4	
20	S12130000	2	FLANGE BUSH, 1520	
21	S12131000	1	LM SHAFT, 15	
22	S45684001	1	LEVER, INNER CLAMP	
23	S12133000	2	BUSH, 15X12	
24	S12134001	2	COLLAR, INNER CLAMP	
25	014060632	4	SET SCREW, SOCKET (CP) M6X6	
26	S12135000	2	LOCK CYLINDER ASSY, B	
26-1	S12052000	2	LOCK CYLINDER	
26-2	S11426000	4	ELBOW UNION, 4M5	
27	S12053000	8	BOLT, CQ2 M3X25	
28	028030246	8	WASHER, SPRING 2-3	
29	S45685001	1	ARM, R	
30	S45686001	1	ARM, L	
31	014060632	2	SET SCREW, SOCKET (CP) M6X6	
32	S12135000	2	LOCK CYLINDER ASSY, B	
32-1	S12052000	2	LOCK CYLINDER	
32-2	S11426000	4	ELBOW UNION, 4M5	
33	S12053000	8	BOLT, CQ2 M3X25	
34	028030246	8	WASHER, SPRING 2-3	
35	S45687000	1	CYLINDER ASSY, 25X75	
35-1	S25063000	1	CYLINDER, 25X75	
35-2	S12139000	1	ROCK SUPPORT BRACKET, 1	
35-3	S45688000	2	ELBOW UNION, 6M5	
36	S45689000	1	CYLINDER ASSY, 25X75S	
36-1	S25061000	1	CYLINDER, 25X75S	
36-2	S12139000	1	ROCK SUPPORT BRACKET, 1	
36-3	S45688000	2	ELBOW UNION, 6M5	
37	149487001	2	LINK BALL	
38	028100246	2	WASHER, SPRING 2-10	
39	025100236	2	WASHER, PLAIN M 10	
40	149488001	2	NUT, M10	
41	S45690000	1	CYLINDER ASSY, 20X75	
41-1	S45691000	1	CYLINDER, 20X75	
41-2	S12145000	1	ROCK SUPPORT BRACKET, 2	
41-3	S11988000	1	KNUCKLE JOINT, 2	
41-4	S45692000	2	SPPED CONTROLLER, OUT	
42	018501236	12	BOLT, SOCKET M5X12	
43	028050246	12	WASHER, SPRING 2-5	

M . 折曲げ土台関係

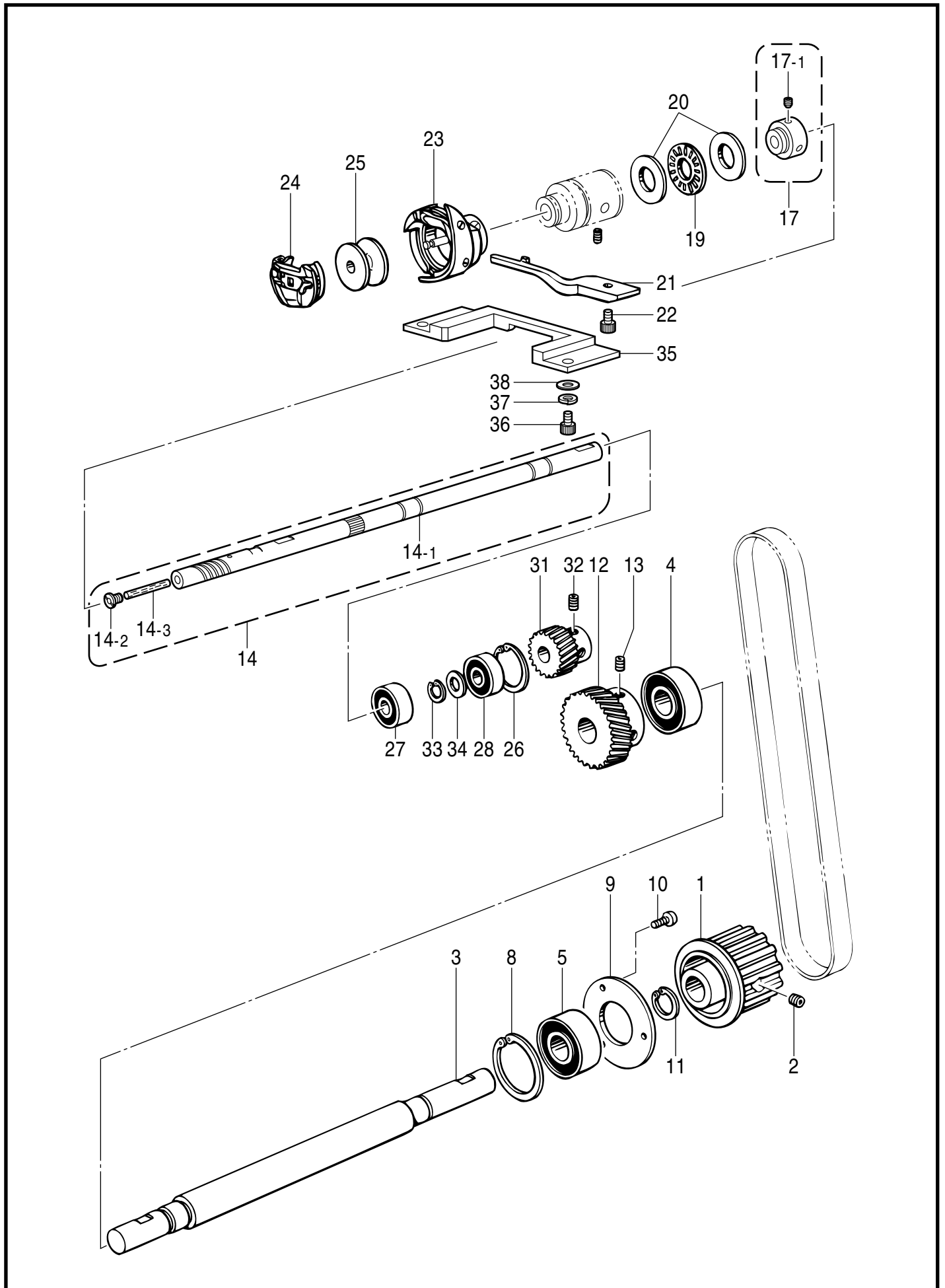
M . Folding margin base mechanism



M. Folding margin base mechanism

REF.NO.	CODE	QTY	NAME OF PARTS	RM
44	S45694000	1	CYLINDER ASSY, 20X335	
44-1	S46249000	1	CYLINDER, 20X335	
44-2	S45693000	2	ELBOW, M-5HL-6	
45	S45695001	1	CYLINDER HOLDER, A	
46	018501236	2	BOLT, SOCKET M5X12	
47	028050246	2	WASHER, SPRING 2-5	
48	S45696001	1	CENTER BLADE SUPPORT	
49	S12152001	2	CENTER BLADE SUPPORT SHAFT, A	
50	S12153001	2	CENTER BLADE SUPPORT SHAFT, B	
51	018400836	4	BOLT, SOCKET M4X8	
52	028040246	4	WASHER, SPRING 2-4	
53	S12154000	4	GUIDE WHEEL	
54	028040246	4	WASHER, SPRING 2-4	
55	021400103	4	NUT, 1 M4	
56	S12051000	2	LOCK CYLINDER ASSY, A	
56-1	S12052000	2	LOCK CYLINDER	
56-2	S11433000	4	HOSE NIPPLE, 4M5	
57	S12053000	8	BOLT, CQ2 M3X25	
58	028030246	8	WASHER, SPRING 2-3	
59	S00480000	3	CORD HOLDER, 5N	
60	062400806	3	SCREW, PAN (S/P WASHER) M4X8	
62	018062036	2	BOLT, SOCKET M6X20	
63	028060246	2	WASHER, SPRING 2-6	
64	018061636	2	BOLT, SOCKET M6X16	
65	028060246	2	WASHER, SPRING 2-6	
66	025060236	2	WASHER, PLAIN M 6	
67	S15526101	2	ADJUSTING SCREW	
68	S45697001	2	ADJUSTING SHAFT	
69	014060632	2	SET SCREW, SOCKET (CP) M6X6	
70	018062036	2	BOLT, SOCKET M6X20	
71	025060236	2	WASHER, PLAIN M 6	
72	028060246	2	WASHER, SPRING 2-6	
74	025080236	4	WASHER, PLAIN M 8	
75	S45698001	1	SETTING PLATE, ABSORBER	
76	018502036	2	BOLT, SOCKET M5X20	
77	028050246	2	WASHER, SPRING 2-5	
78	S14874000	1	SHOCK ABSORBER	
79	S46591000	1	SENSOR ASSY	
80	S24728000	1	SWITCH TABLE ANGLE	
81	S12271000	1	SETTING BRACKET, 25	
82	S11880000	1	SETTING BRACKET, 20	
83	S11880000	1	SETTING BRACKET, 20	
84	018401036	4	BOLT, SOCKET M4X10	
85	028040246	4	WASHER, SPRING 2-4	
86	012060636	1	SET SCREW, SOCKET (FT) M6X6	

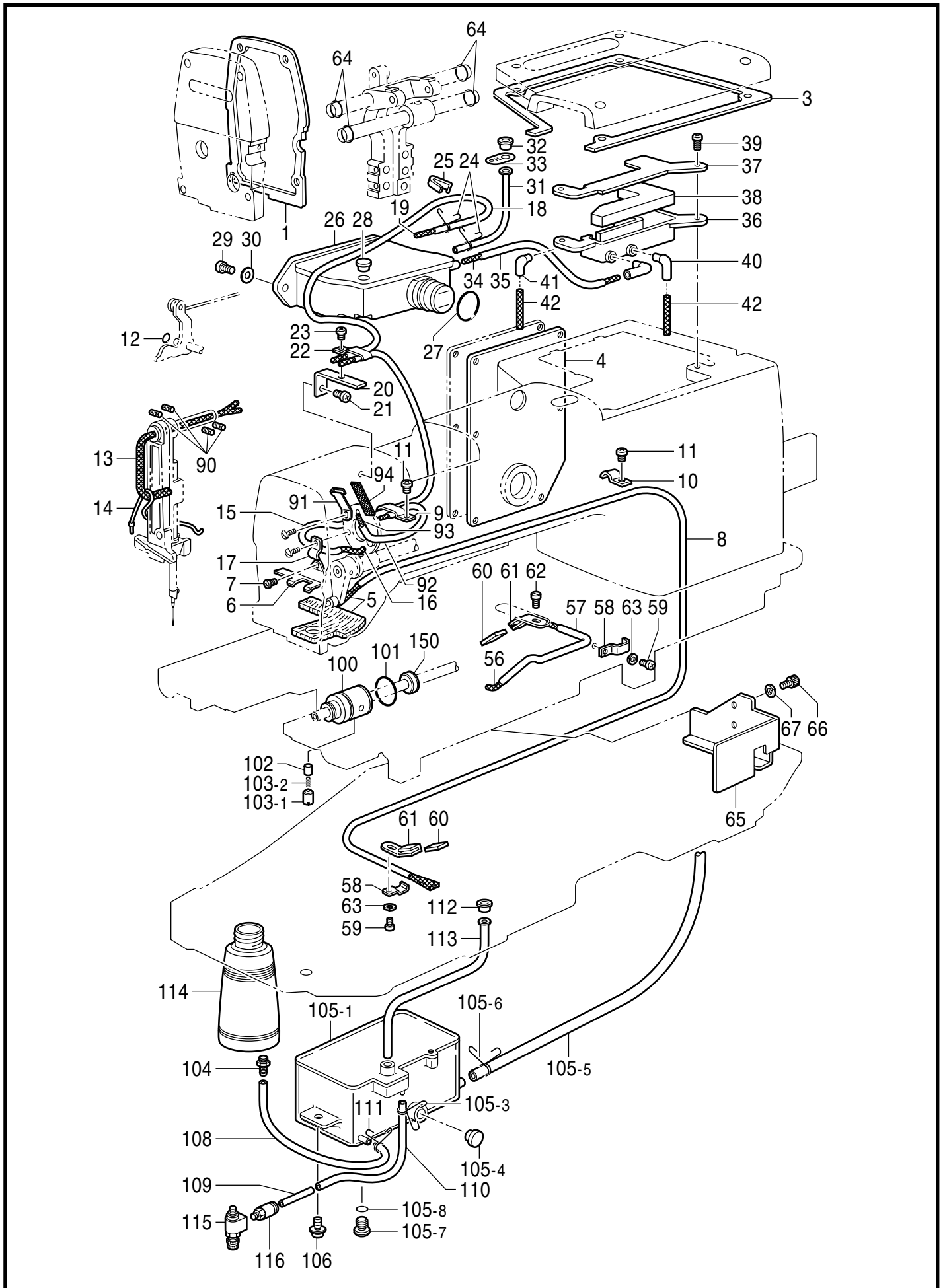
N . カマ関係
 N . Rotary hook mechanism



N.Rotary hook mechanism

REF.NO.	CODE	QTY	NAME OF PARTS	RM
1	159745100	1	TIMING PULLEY ASSY, D	
2	014760622	4	SET SCREW, SOCKET SM5.95	
3	S24901001	1	LOWER SHAFT	
4	S11921000	1	BALL BEARING, 6002DDU	
5	072620260	1	BALL BEARING, 6202VVC2	
8	048350242	1	RETAINING RING, C35	
9	S11893001	1	HOLDER, B-BEARING	
10	062401016	3	SCREW, PAN M4X10	
11	048150142	1	RETAINING RING, C15	
12	S11894001	1	SPIRAL GEAR	
13	014770622	3	SET SCREW, SOCKET (CP) SM6.35	
14	S45658101	1	ROTARY HOOK SHAFT ASSY	
14-1	S45659101	1	ROTARY HOOK SHAFT	
14-2	S25394001	1	SCREW, CAP	
14-3	145751001	1	FELT	
17	S45660001	1	SEET SCREW COLLAR ASSY	
17-1	014770622	2	SET SCREW, SOCKET (CP) SM6.35	
19	S32424000	1	ROLLER BEARING, THRUST	
20	S45662000	2	DRIVING TUMBLER	
21	159324001	1	B-CASE HOLDER POSITION BRACKET	
22	018401236	1	BOLT, SOCKET M4X12	
23	S45663901	1	ROTARY HOOK ASSY, 2.4 W/BOX	
24	S45664001	1	BOBBIN CASE ASSY, 2.4	
25	S45667001	1	BOBBIN, 2.4	
26	048220242	1	RETAINING RING, C22	
27	072060860	1	BALL BEARING, 608VV	
28	S11924000	1	BALL BEARING, 608DDW1	
31	S11900001	1	PINION GEAR	
32	014770622	3	SET SCREW, SOCKET (CP) SM6.35	
33	048080142	1	RETAINING RING, C8	
34	S01040001	1	WASHER	
35	S35547001	1	ROTARY HOOK HOLDER SUPPORT	
36	018401236	2	BOLT, SOCKET M4X12	
37	028040246	2	WASHER, SPRING 2-4	
38	158722002	2	WASHER, PLAIN 4.2	

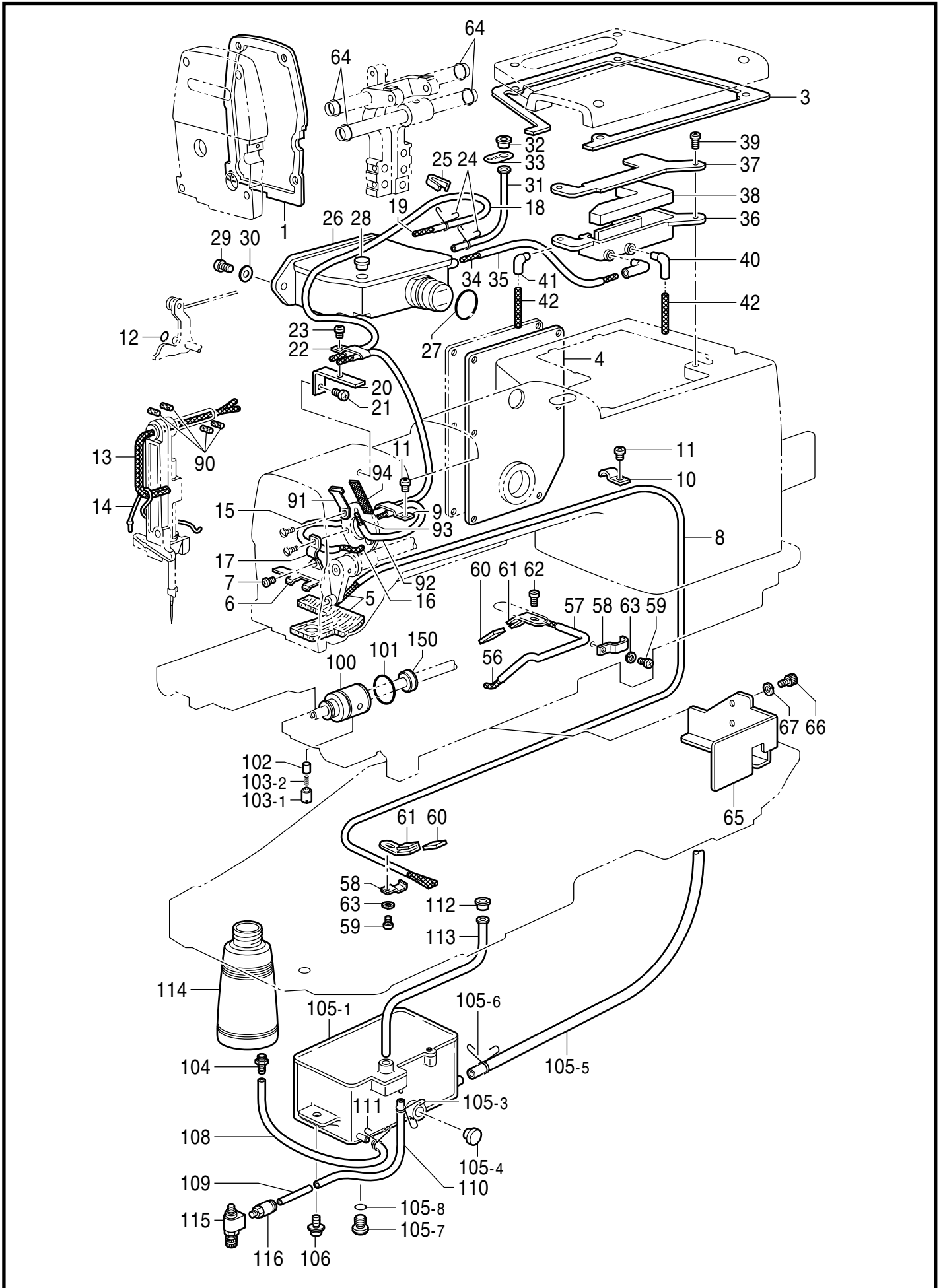
P. 給油潤滑関係
P. Lubrication



P. Lubrication

REF.NO.	CODE	QTY	NAME OF PARTS	RM
1	S46229000	1	PACKING, FACE PLATE	
3	S24910000	1	PACKING, TOP COVER	
4	S24911100	1	PACKING, REAR COVER	
5	S24912000	1	SUCTION FELT ASSY	
6	S24915101	1	SUCTION FELT SUPPORT	
7	062670612	1	SCREW, PAN SM3.57-40X6	
8	S24916000	1	OIL TUBE, 4X6 L=680	
9	142268001	1	CORD HOLDER, L	
10	140647101	1	CORD HOLDER	
11	062300616	2	SCREW, PAN M3X6	
12	081001670	1	O RING, PW1	
13	S24917000	1	WICK, 4X4 L=470	
14	159561001	2	WICK	
15	S24925000	1	OIL TUBE, 3X5 L=200	
16	S24926000	1	WICK, 3X3 L=350	
17	145595001	1	CORD HOLDER	
18	S24918000	1	OIL TUBE,3X5 L=270	
19	S24919000	1	WICK, 3X3 L=470	
20	S24920001	1	TUBE SUPPORT	
21	062400816	1	SCREW, PAN M4X8	
22	142268001	1	CORD HOLDER, L	
23	062300616	1	SCREW, PAN M3X6	
24	S07876101	2	TUBE CLIP	
25	S07469001	1	TUBE CALKING	
26	S07450109	1	OIL TANK ASSY	
27	081030070	1	O RING, P30	
28	104821009	1	RUBBER CAP, 10.5	
29	062711012	1	SCREW, PAN SM4.76-32X10	
30	025710232	2	WASHER, PLAIN M 4.76	
31	S11945000	1	OIL TUBE, 3X5 L=100	
32	112758009	1	OIL CAP	
33	S24921009	1	OIL SHEET	
34	153920001	1	WICK, 4X4 L=300	
35	S24922000	1	OIL TUBE, 5X8 L=100	
36	159189000	1	WICK BASE, B	
37	159190001	1	COVER, WICK BASE (B)	
38	159191000	1	FELT	
39	062401016	2	SCREW, PAN M4X10	
40	159192000	2	OIL PIPE, A	
41	159193000	1	OIL PIPE, B	
42	S34012000	1	WICK, 4X4 L=240	
43	062711212	1	SCREW, PAN SM4.76-32X12	
56	S11909000	1	WICK, 3X3 L=250	
57	S11919000	1	OIL TUBE, L=160	
58	S02702101	1	CORD HOLDER, U2	
59	062300616	2	SCREW, PAN M3X6	
60	S11914000	2	FELT	
61	S11920001	2	FELT SUPPORT	
62	106629002	1	SCREW, SM4.37	
63	028030246	2	WASHER, SPRING 2-3	
64	110558001	4	O RING	
65	S24924101	1	OIL COVER	
66	018400836	2	BOLT, SOCKET M4X8	
67	028040246	2	WASHER, SPRING 2-4	
90	145624000	4	FELT	
91	S32033001	1	FELT SUPPORT	
92	S11919000	1	OIL TUBE, L=160	
93	S11909000	1	WICK, 3X3 L=250	
94	152960001	1	FLAT WICK, L=40	

P. 給油潤滑関係
P. Lubrication

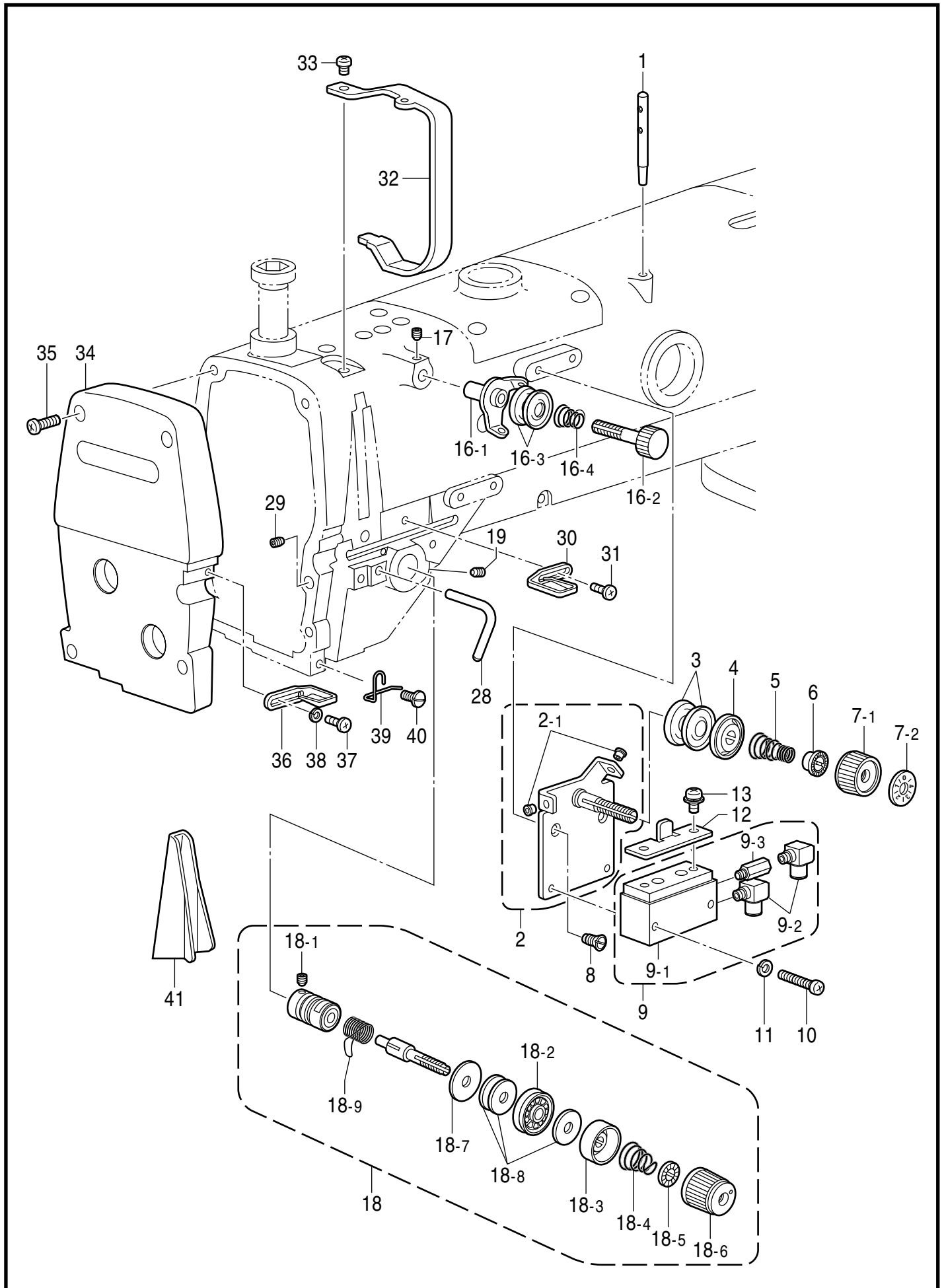


P. Lubrication

REF.NO.	CODE	QTY	NAME OF PARTS	RM
100	S45668001	1	BUSH	
101	081025870	1	O RING, S25	
102	144875001	1	PLUNGER	
103	S43405101	1	CAP SCREW ASSY, PUMP	
103-1	S25380401	1	CAP SCREW, PUMP	
103-2	144876001	1	SPRING, COMPRESSION	
104	S38735001	1	OIL FEEDING PIPE	
105	S49040001	1	OIL TANK SET	
105-1	S38721000	1	OIL TANK ASSY	
105-2	S25383000	1	OIL TUB, L=60	
105-3	S07876101	1	TUBE CLIP	
105-4	104450109	1	RUBBER CAP, 8	
105-5	S38750000	1	OIL TUBE	
105-6	S25788101	1	TUBE CLIP	
105-7	140518001	1	SCREW, SM7.94X10	
105-8	081007070	1	O RING, P7	
106	S21083001	2	SCREW, PAN (S/P WASHER) M4X10	
108	S07456000	1	OIL TUBE, L=160	
109	S14085001	1	AIR TUBE, 4 L=82	
110	S07810000	1	OIL TUBE, L=90	
111	S07876101	1	TUBE CLIP	
112	112758009	1	OIL CAP	
113	S11945000	1	OIL TUBE, 3X5 L=100	
114	114486002	1	OILER	
115	S49125000	1	SPEED CONTROLLER, OUT	
116	S04905000	1	HALF UNION	
150	S25402000	1	OIL SEAL	

Q . 糸通シ関係

Q . Threading mechanism



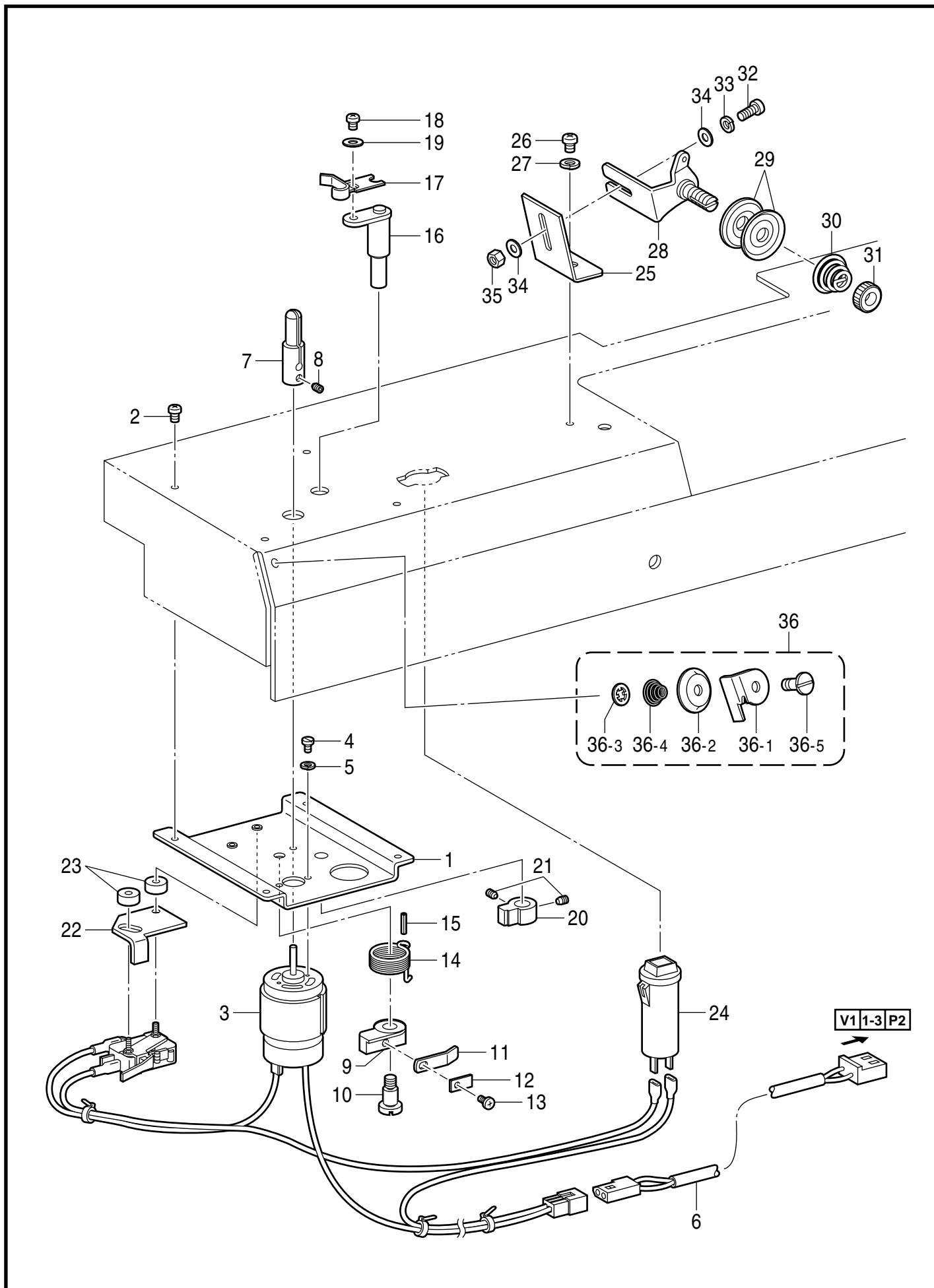
151-761-401

Q. Threading mechanism

REF.NO.	CODE	QTY	NAME OF PARTS	RM
1	147557101	1	SPOOL PIN	
2	S24927101	1	THREAD TENSION ASSY	
2-1	146924000	2	THREAD BUSH	
3	145446001	2	DISC, TENSION	
4	159805001	1	DISC PRESSER, TENSION	
5	148851001	1	TENSION SPRING	
6	144105000	1	FLANGE WASHER, TENSION SPRING	
7	S11182009	1	TENSION NUT ASSY	
7-1	S11183009	1	CONTROL DIAL	
7-2	S11184009	1	TENSION ADJUST SCALE PLATE	
8	100032003	2	SCREW, FLAT SM4.37	
9	S24929000	1	TWIN ROD CYLINDER ASSY	
9-1	S12103000	1	TWIN ROD CYLINDER	
9-2	S12150000	2	TUBE ELBOW, M-5HL-4	
9-3	S24930000	1	EXTENDED JOINT, M-5J	
10	062402016	2	SCREW, PAN M4X20	
11	028040246	2	WASHER, SPRING 2-4	
12	S24931001	1	COUNTERSINK CLAW	
13	052400806	2	SCREW, PAN (S/P WASHER) M4X8	
16	S46253001	1	PRE-TENSION ASSY	
16-1	S02611001	1	THREAD GUIDE	
16-2	S02612001	1	PRE-TENSION STUD	
16-3	144504001	2	DISC, THREAD GUIDE	
16-4	107681001	1	TENSION SPRING	
17	012400436	1	SET SCREW, SOCKET (FT) M4X4	
18	S45680201	1	THREAD TENSION BRACKET ASSY	
18-1	100402004	1	SET SCREW, SM3.57	
18-2	S36300000	1	ROTARY DISC	
18-3	144103009	1	TENSION DISC PRESSER	
18-4	S07490001	1	TENSION SPRING	
18-5	S02624001	1	WASHER	
18-6	S20682103	1	TENSION NUT	
18-7	S37298000	1	TENSION STUD PLATE	
18-8	S36299001	3	FELT	
18-9	S46485001	1	SPRING	
19	103950003	1	SET SCREW, (CN) SM5.95	
28	116112001	1	THREAD GUIDE	
29	012400836	1	SET SCREW, SOCKET (FT) M4X8	
30	147339001	1	ARM THREAD GUIDE	
31	060670612	1	SCREW, BIND SM3.57-40X6	
32	S45669001	1	THREAD TAKE-UP COVER	
33	062400816	1	SCREW, PAN M4X8	
34	S45670001	1	FACE PLATE	
35	062401216	4	SCREW, PAN M4X12	
36	147339001	1	ARM THREAD GUIDE	
37	060670612	1	SCREW, BIND SM3.57-40X6	
38	028350242	1	WASHER, SPRING 2-3.5	
39	S46220001	1	THREAD GUIDE, D ARM	
40	112751002	1	SCREW, SM3.57X7	
41	S24962001	1	THREADING PLATE	

R. 糸巻関係

R. Bobbin winder mechanism

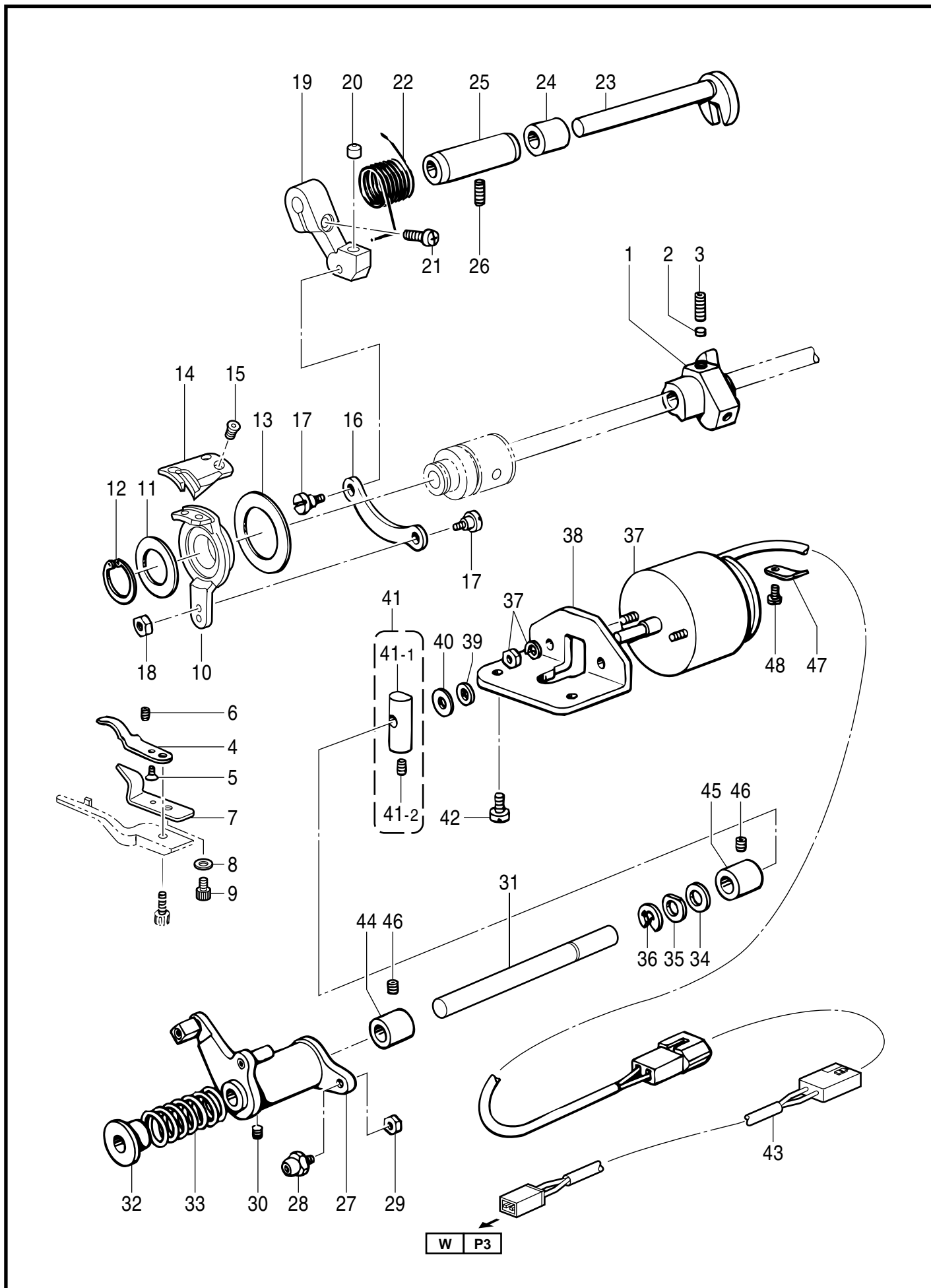


R. Bobbin winder mechanism

REF.NO.	CODE	QTY	NAME OF PARTS	RM
1	S39902001	1	B-WINDER MOTOR SUPPORT PLATE	
2	062300606	4	SCREW, PAN M3X6	
3	S39848001	1	MOTOR ASSY, B-WINDE	
4	S35032101	2	SCREW, M2.6X5.5	
5	028260242	2	WASHER, SPRING 2-2.6	
6	S46592000	1	HARNESS, B-WINDER	
7	S39901001	1	SHAFT, B-WINDER	
8	014300332	2	SET SCREW, SOCKET (CP) M3X3	
9	152361001	1	LEVER, B-WINDER	
10	152362001	1	SHOULDER SCREW	
11	111942001	1	SPRING, PLATE	
12	111943001	1	WASHER	
13	060660512	1	SCREW, BIND SM3.18-40X5	
14	152363001	1	SPRING, TWIST A	
15	047301042	1	PIN, SPRING ROLL AW3	
16	154024001	1	BOBBIN PRESSER	
17	152645001	1	BOBBIN HOLDER	
18	062300616	1	SCREW, PAN M3X6	
19	025030233	1	WASHER, PLAIN M 3	
20	154092001	1	BOBBIN WINDER CLAW	
21	014680422	2	SET SCREW, SOCKET (CP) SM4.37	
22	158597001	1	STOPPER, B-WINDER	
23	152364001	2	COLLAR	
24	S16669000	1	PROTECTOR, 0.5A	
25	158598009	1	SETTING PLATE, B-WINDER GUIDE	
26	062400612	1	SCREW, PAN M4X6	
27	028040242	1	WASHER, SPRING 2-4	
28	145571101	1	GUIDE BRACKET ASSY, B-WINDER	
29	145446001	2	DISC, TENSION	
30	100401001	1	TENSION SPRING	
31	100136001	1	NUT, TENSION	
32	062401012	1	SCREW, PAN M4X10	
33	028040242	1	WASHER, SPRING 2-4	
34	025040232	2	WASHER, PLAIN M 4	
35	021400202	1	NUT, 2 M4	
36	146197001	1	THREAD CLAMP ASSY	
36-1	146198001	1	THREAD CLAMP KNIFE	
36-2	146199001	1	THREAD CLAMP DISC	
36-3	146200001	1	RETAINING RING, CS4	
36-4	144505000	1	SPRING	
36-5	118764002	1	SHOULDER SCREW, SM4.37	

S . 糸切り関係

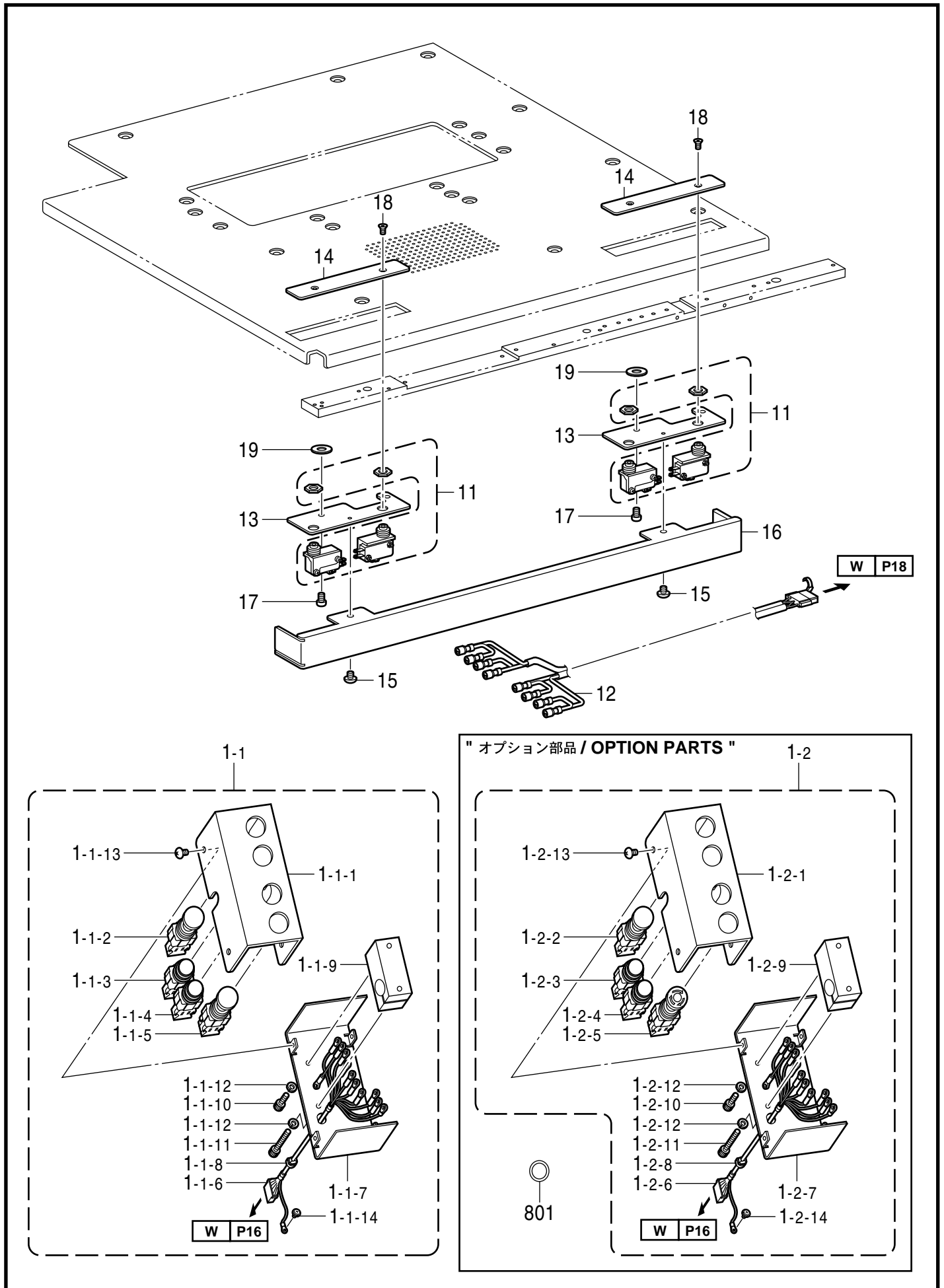
S . Thread trimmer mechanism



S.Thread trimmer mechanism

REF.NO.	CODE	QTY	NAME OF PARTS	RM
1	S00337021	1	THREAD TRIMMER CAM	
2	154567000	2	SPACER, 5.3	
3	014771022	2	SET SCREW, SOCKET (CP) SM6.35	
4	159540001	1	FIXED KNIFE	
5	102843004	1	SCREW, FLAT SM3.57	
6	103978002	1	SET SCREW, SM3.18	
7	S45671001	1	THREAD RETAINER	
8	100645003	1	WASHER	
9	018400836	1	BOLT, SOCKET M4X8	
10	S45672001	1	HOKDER, KNIFE	
11	156620000	1	WASHER, THRUST	
12	048170145	1	RETAINING RING, C17	
13	S11926001	1	WASHER	
14	159799001	1	MOVABLE KNIFE	
15	148537101	2	SCREW, FLAT (SOCKET) SM4.37	
16	154576003	1	THREAD TRIMMER CONNECTING ROD	
17	151987001	2	SHOULDER SCREW, SM4.37	
18	102571003	1	NUT, SM4.37	
19	159542201	1	THREAD TRIMMER LEVER	
20	S25437000	1	STOPPER, LEVER	
21	062711412	1	SCREW, PAN SM4.76-32X14	
22	156623001	1	SPRING	
23	S02647001	1	FORKED SHAFT	
24	S02648001	1	COLLAR	
25	154581001	1	BUSH, FORKED SHAFT	
26	012400836	1	SET SCREW, SOCKET (FT) M4X8	
27	154582021	1	THREAD TRIMMER CAM LEVER ASSY	
28	154590001	1	ROLLER SHAFT ASSY, C	
29	105234003	1	NUT, SM4.37	
30	100251001	1	SET SCREW, SM6.35	
31	154593201	1	THREAD TRIMMER CAM LEVER SHAFT	
32	154594000	1	COLLAR	
33	154595001	1	SPRING	
34	154596000	1	CUSHION	
35	110367001	1	WASHER, PLAIN SPECIAL 8	
36	048060342	1	RETAINING RING, E6	
37	S11927009	1	THREAD TRIMMER SOLENOID ASSY	
38	154598001	1	THR. TRIMMER SOLENOID BRACKET	
39	154599000	1	CUSHION, SOLENOID	
40	S02652001	1	WASHER	
41	S23836001	1	SOLENOID LEVER ASSY	
41-1	S02654001	1	SOLENOID LEVER	
41-2	014680622	1	SET SCREW, SOCKET (CP) SM4.37	
42	110201001	2	SCREW, SM6.35	
43	S46593000	1	HARNESS, TR	
44	S11929001	1	THREAD TRIMMER SHAFT BUSH, L	
45	S11930001	1	THREAD TRIMMER SHAFT BUSH, R	
46	012400836	2	SET SCREW, SOCKET (FT) M4X8	
47	S02657101	1	CORD HOLDER	
48	062300616	1	SCREW, PAN M3X6	

T. 手動スイッチ関係
T. Manual switch mechanism

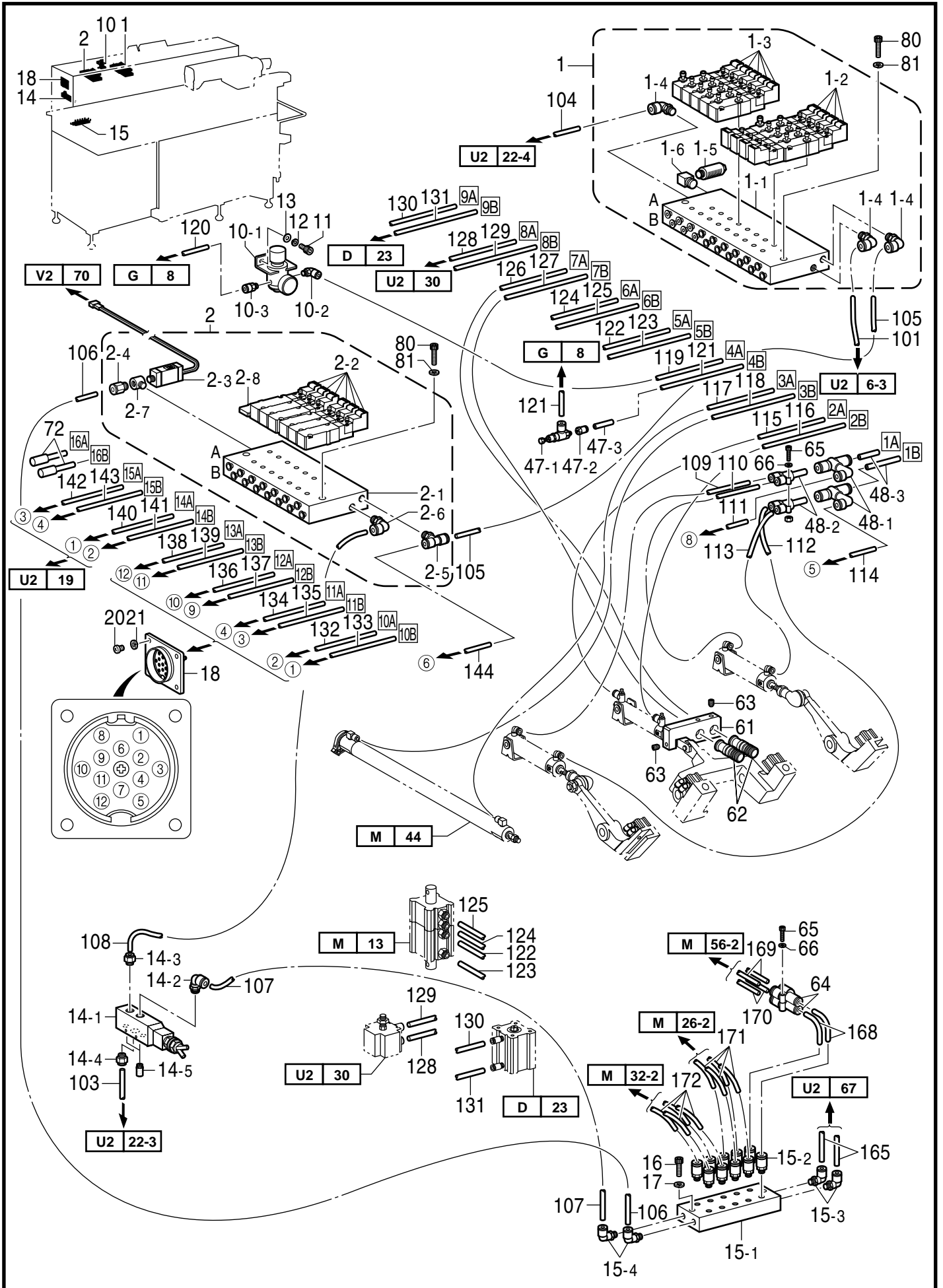


T. Manual switch mechanism

REF.NO.	CODE	QTY	NAME OF PARTS	RM
1-1	S46697001	1	SWITCH BOX ASSY	
1-1-1	S46698001	1	SWITCH COVER, A	
1-1-2	S11750100	1	SWITCH, :ABS310N <Yellow>	
1-1-3	S11706100	1	SWITCH, :ABS110N <Green>	
1-1-4	S11706101	1	SWITCH, :ABS110N <Blue>	
1-1-5	S38866100	1	SWITCH, :ABS311N <Red>	
1-1-6	S46699000	1	HARNESS, SW-BOX	
1-1-7	S46700001	1	SWITCH COVER, B	
1-1-8	S46694000	1	CORD BUSH, KR61A	
1-1-9	S46701001	1	SW-PANEL SUPPORT	
1-1-10	018501036	1	BOLT, SOCKET M5X10	
1-1-11	018502536	1	BOLT, SOCKET M5X25	
1-1-12	028050246	2	WASHER, SPRING 2-5	
1-1-13	008400604	4	SCREW, TRUSS M4X6	
1-1-14	0A4300605	1	SCREW, PAN (S/P WASHER) M3X6	
11	S46711000	4	SWITCH, SCB-MV12	
12	S46654000	1	HARNESS, HAND-SW	
13	S47244001	2	SETTING PLATE, START-SW	
14	S31314001	2	SWITCH PLATE	
15	008400604	2	SCREW, TRUSS M4X6	
16	S31325009	1	SWITCH COVER	
17	062680812	4	SCREW, PAN SM4.37-40X8	
18	061350616	4	SCREW, FLAT M3.5X6	
19	025050236	4	WASHER, PLAIN M 5	
“ OPTION PARTS “				
1-2	S46721001	1	SWITCH BOX ASSY, CE	
1-2-1	S46698001	1	SWITCH COVER, A	
1-2-2	S11750100	1	SWITCH, :ABS310N <Yellow>	
1-2-3	S11706100	1	SWITCH, :ABS110N <Green>	
1-2-4	S11706101	1	SWITCH, :ABS110N <Blue>	
1-2-5	S32335100	1	SWITCH, :AVS311N <Red>	
1-2-6	S46699000	1	HARNESS, SW-BOX	
1-2-7	S46700001	1	SWITCH COVER, B	
1-2-8	S46694000	1	CORD BUSH, KR61A	
1-2-9	S46701001	1	SW-PANEL SUPPORT	
1-2-10	018501036	1	BOLT, SOCKET M5X10	
1-2-11	018502536	1	BOLT, SOCKET M5X25	
1-2-12	028050246	2	WASHER, SPRING 2-5	
1-2-13	008400604	4	SCREW, TRUSS M4X6	
1-2-14	0A4300605	1	SCREW, PAN (S/P WASHER) M3X6	
801	S37055001	1	SPACER, 1 EM -SWITCH	

U1 . 空圧関係

U1 . Air pressure mechanism

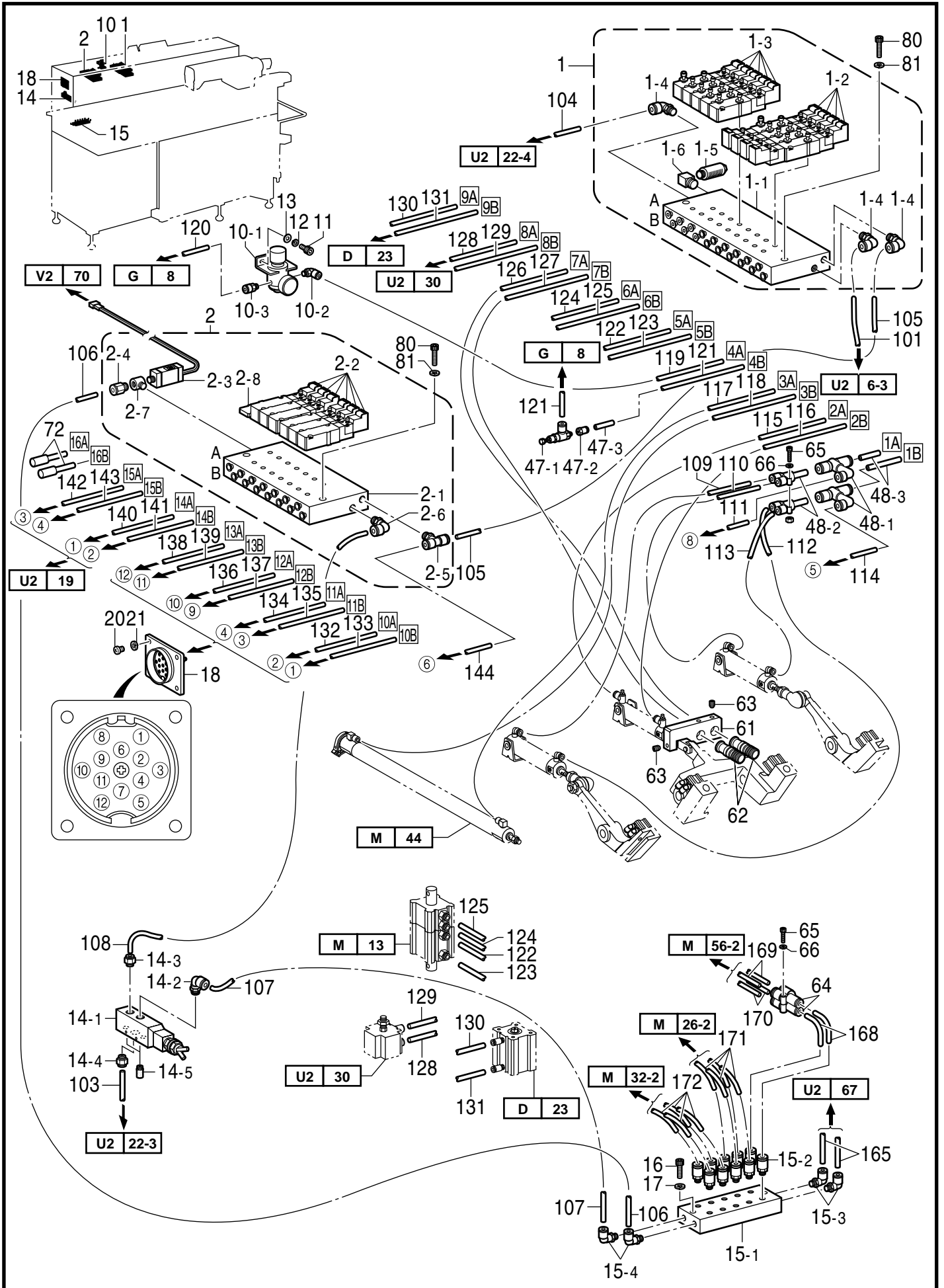


U1.Air pressure mechanism

REF.NO.	CODE	QTY	NAME OF PARTS	RM
1	S49141001	1	VALVE ASSY, 9	
1-1	S49142000	1	MANIFOLD, 9	
1-2	S12158000	4	VALVE, VZ3243-N	
1-3	S12160000	5	VALVE, VZ3153-N	
1-4	S04896000	3	ELBOW UNION, 1	
1-5	140682001	1	SILENCER	
1-6	S49152000	1	PT-ELBOW	
2	S49143001	1	VALVE ASSY, 7	
2-1	S49144000	1	MANIFOLD, 7	
2-2	S12161000	6	VALVE, VZ3143	
2-3	S12164000	1	PRESSURE SWITCH	
2-4	S01522000	1	HALF UNION	
2-5	S04578000	1	T-UNION	
2-6	S31169000	1	ELBOW UNION, 8	
2-7	S25689000	1	PT-JOINT	
2-8	S12159000	1	BLANKING PLATE ASSY	
10	S46343000	1	REGULATOR ASSY	
10-1	S12165000	1	REGULATOR	
10-2	S45688000	1	ELBOW UNION, 6M5	
10-3	S14145000	1	HALF UNION, 06-M5	
11	018400836	2	BOLT, SOCKET M4X8	
12	028040246	2	WASHER, SPRING 2-4	
13	025040236	2	WASHER, PLAIN M 4	
14	S49199000	1	MECHANICAL VALVE ASSY	
14-1	S49200000	1	MACHANICAL VALVE	
14-2	S04896000	1	ELBOW UNION, 1	
14-3	S06862000	1	JOINT, 1/4-8	
14-4	S49201000	1	HALF UNION, 10-1/4	
14-5	S12170000	2	SILENCER	
15	S46346000	1	MANIFOLD ASSY	
15-1	S12173000	1	MANIFOLD	
15-2	S04905000	10	HALF UNION	
15-3	S11426000	2	ELBOW UNION, 4M5	
15-4	S45688000	2	ELBOW UNION, 6M5	
16	018401636	2	BOLT, SOCKET M4X16	
17	028040246	2	WASHER, SPRING 2-4	
18	S46347000	1	MULTI CONNECTOR, 12	
19	S46348000	1	MULTI CONNECTOR, 6	
20	062400816	8	SCREW, PAN M4X8	
21	028040246	8	WASHER, SPRING 2-4	
47	S46351000	1	P-REDUCTING VALVE ASSY, M5-06	
47-1	S46352000	1	P-REDUCTING VALVE, M5-06	
47-2	S46353000	1	UNION, FEMALE M5-06	
47-3	S46354000	1	NIPPLE, 6	
48	S46355000	2	QUICK EXHAUST ASSY	
48-1	S46356000	2	QUICK EXHAUST, 6	
48-2	S46341000	2	BRANCH UNION, Y 6	
48-3	S46354000	2	NIPPLE, 6	
61	S25039001	1	SOCKET SETTING PLATE	
62	S25041000	2	SOCKET	
63	012060636	3	SET SCREW, SOCKET (FT) M6X6	
64	S12104000	2	UNION, Y4	
65	018403036	1	BOLT, SOCKET M4X30	
66	028040246	1	WASHER, SPRING 2-4	
72	S04577000	2	PLUG, 6	
80	S31814001	4	BOLT, SOCKET M5X40	
81	028050246	4	WASHER, SPRING 2-5	
101	S46259000	1	AIR TUBE, 6 L=2000	
103	S49203000	1	AIR TUBE, L=480	

U1 . 空圧関係

U1 . Air presure mechanism

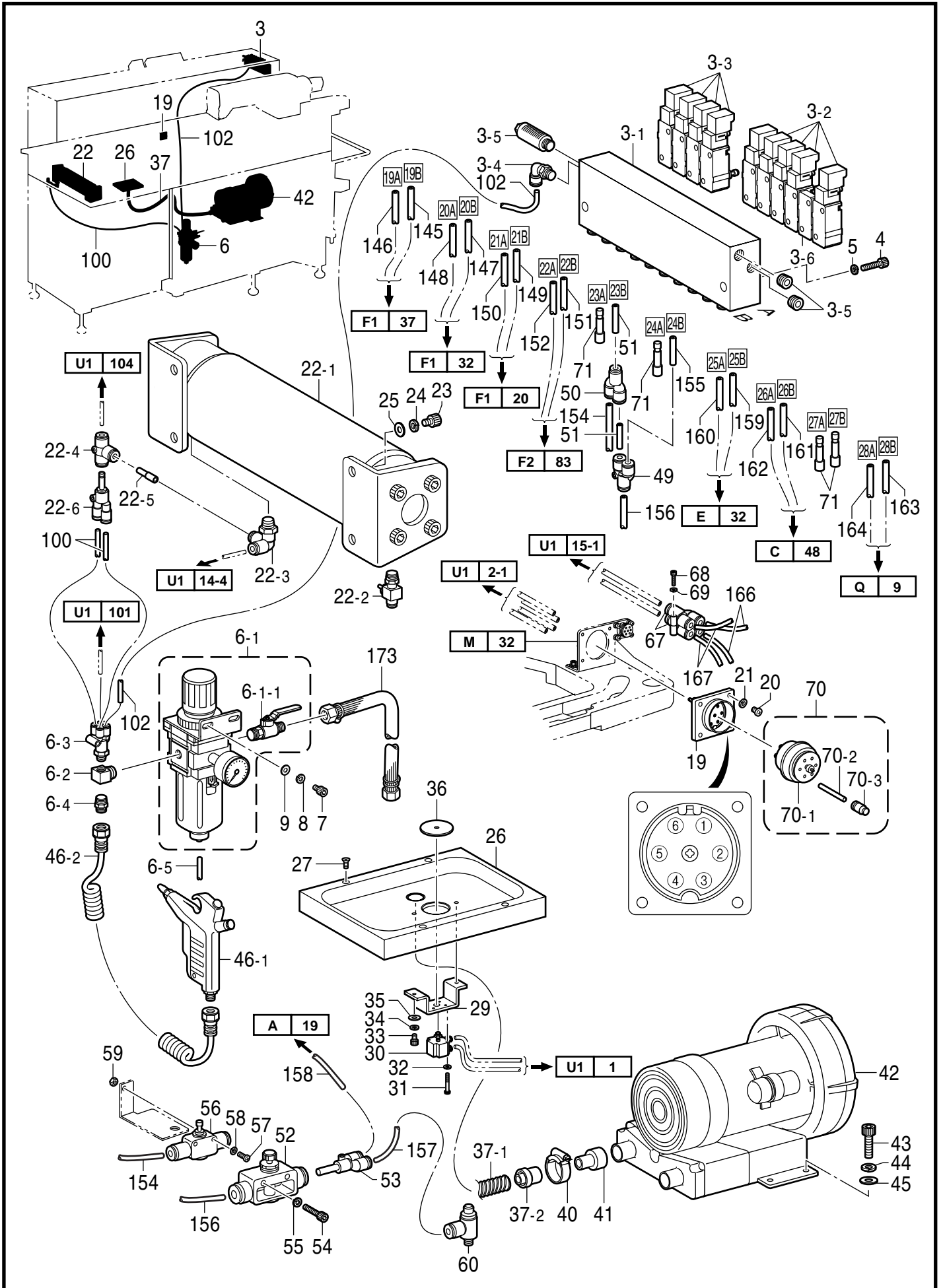


U1. Air pressure mechanism

REF.NO.	CODE	QTY	NAME OF PARTS	RM
104	S32129000	1	AIR TUBE, 6 L=1350	
105	S31765000	1	AIR TUBE, 6 L=230	
106	S46255000	1	AIR TUBE, 6 L=680	
107	S28677000	1	AIR TUBE, 6 L=1000	
108	S31155000	1	AIR TUBE, L=400	
109	S46254000	1	AIR TUBE, 6 L=590	
110	S28474000	1	AIR TUBE, 6 L=480	
111	S46254000	1	AIR TUBE, 6 L=590	
112	S28474000	1	AIR TUBE, 6 L=480	
113	S14697000	1	AIR TUBE, 6-C L=400	
114	S46254000	1	AIR TUBE, 6 L=590	
115	S46254000	1	AIR TUBE, 6 L=590	
116	S28474000	1	AIR TUBE, 6 L=480	
117	S46255000	1	AIR TUBE, 6 L=680	
118	S28677000	1	AIR TUBE, 6 L=1000	
119	S08146000	1	AIR TUBE, 6-A L=135	
120	S46261000	1	AIR TUBE, 6 L=3100	
121	S46261000	1	AIR TUBE, 6 L=3100	
122	S46258000	1	AIR TUBE, 6 L=1130	
123	S46258000	1	AIR TUBE, 6 L=1130	
124	S46258000	1	AIR TUBE, 6 L=1130	
125	S46258000	1	AIR TUBE, 6 L=1130	
126	S41937000	1	AIR TUBE, 4 L=600	
127	S41937000	1	AIR TUBE, 4 L=600	
128	S15031008	1	AIR TUBE, 4 L=1900	
129	S15031008	1	AIR TUBE, 4 L=1900	
130	S10387100	1	AIR TUBE, 4 L=1550	
131	S10387100	1	AIR TUBE, 4 L=1550	
132	S14697000	1	AIR TUBE, 6-C L=400	
133	S14697000	1	AIR TUBE, 6-C L=400	
134	S14697000	1	AIR TUBE, 6-C L=400	
135	S14697000	1	AIR TUBE, 6-C L=400	
136	S14697000	1	AIR TUBE, 6-C L=400	
137	S14697000	1	AIR TUBE, 6-C L=400	
138	S14697000	1	AIR TUBE, 6-C L=400	
139	S14697000	1	AIR TUBE, 6-C L=400	
140	S46262000	1	AIR TUBE, 6 L=3440	
141	S46262000	1	AIR TUBE, 6 L=3440	
142	S46262000	1	AIR TUBE, 6 L=3440	
143	S46262000	1	AIR TUBE, 6 L=3440	
144	S46256000	1	AIR TUBE, 6 L=420	
168	S41935000	2	AIR TUBE, 4 L=350	
169	S08125000	2	AIR TUBE, 4-S1 L=410	
170	S08125000	2	AIR TUBE, 4-S1 L=410	
171	S08166000	4	AIR TUBE, 4-E L=1110	
172	S08166000	4	AIR TUBE, 4-E L=1110	

U2 . 空圧関係

U2 . Air presure mechanism

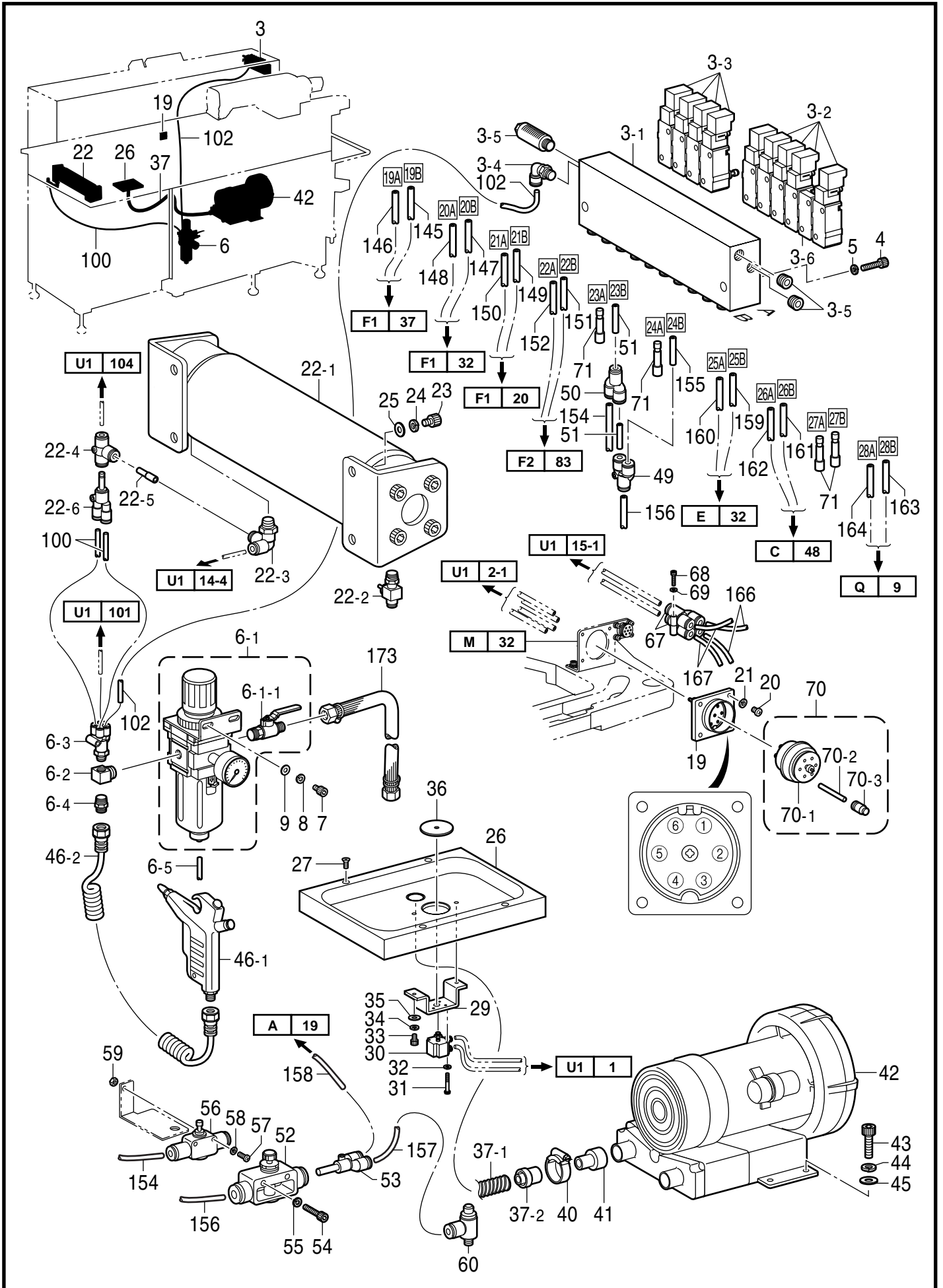


U2. Air pressure mechanism

REF.NO.	CODE	QTY	NAME OF PARTS	RM
3	S49145001	1	VALVE ASSY, 10	
3-1	S49146000	1	MANIFOLD, 10	
3-2	S12161000	5	VALVE, VZ3143	
3-3	S12160000	4	VALVE, VZ3153-N	
3-4	S01542000	1	ELBOW UNION, 61	
3-5	140682001	1	SILENCER	
3-6	S12159000	1	BLANKING PLATE ASSY	
4	018503036	2	BOLT, SOCKET M5X30	
5	028050246	2	WASHER, SPRING 2-5	
6	S46340100	1	FILTER REGULATOR ASSY	
6-1	S49147000	1	AIR UNIT	
6-1-1	S09231000	1	BALL VALVE, 1/4	
6-2	153252000	1	PT-JOINT	
6-3	S46342000	1	DOUBLE JOINT, BRANCH	
6-4	S04891000	1	MIDDLE NIPPLE, 1/4	
6-5	S49148000	1	AIR TUBE, L=300	
7	018501036	2	BOLT, SOCKET M5X10	
8	028050246	2	WASHER, SPRING 2-5	
9	025050236	2	WASHER, PLAIN M 5	
22	S46349100	1	AIR TANK SET	
22-1	S46350000	1	AIR TANK ASSY	
22-2	S40944000	1	THROTTLE VALVE, 6-3/8	
22-3	S49202000	1	UNION, T 10-1/2	
22-4	S46334000	1	T-JOINT, 8-6	
22-5	S46337000	1	NIPPLE, 10-8	
22-6	S14146000	1	BRANCH, UY-6	
23	018081636	4	BOLT, SOCKET M8X16	
24	028080246	4	WASHER, SPRING 2-8	
25	025080236	4	WASHER, PLAIN M 8	
26	S46263000	1	VACUUM, D	
27	004401414	4	SCREW, FLAT M4X14	
29	S33705001	1	CYLINDER SUPPORT	
30	S12090000	1	CYLINDER ASSY, 12X10	
31	S12092000	4	BOLT, CQ2 M3X30	
32	028030246	4	WASHER, SPRING 2-3	
33	018401036	2	BOLT, SOCKET M4X10	
34	028040246	2	WASHER, SPRING 2-4	
35	025040236	2	WASHER, PLAIN M 4	
36	S33706001	1	VACUUM PLATE	
37	S24950001	1	HOSE ASSY, L=1300	
37-1	S24951000	1	HOSE, L=1270	
37-2	150353001	1	CUFFS	
40	S24952000	1	HOSE BAND	
41	154778000	1	COUPLING	
42	S31317100	1	BLOWER MOTOR ASSY, 206PN	
43	018082036	4	BOLT, SOCKET M8X20	
44	028080246	4	WASHER, SPRING 2-8	
45	025080236	4	WASHER, PLAIN M 8	
46	S06857000	1	AIR GUN ASSY	
46-1	S06858000	1	AIR GUN	
46-2	S06859000	1	CURL TUBE	
49	S46359000	1	UNION, Y 6-4	
50	S12104000	1	UNION, Y4	
51	S46360000	1	NIPPLE, 4	
52	S12509000	1	THROTTLE VALVE, 6	
53	S46357000	1	BRANCH, Y 6-4	
54	018402036	1	BOLT, SOCKET M4X20	
55	028040246	1	WASHER, SPRING 2-4	
56	S09197000	1	SPEED CONTROLLER	

U2 . 空圧関係

U2 . Air presure mechanism

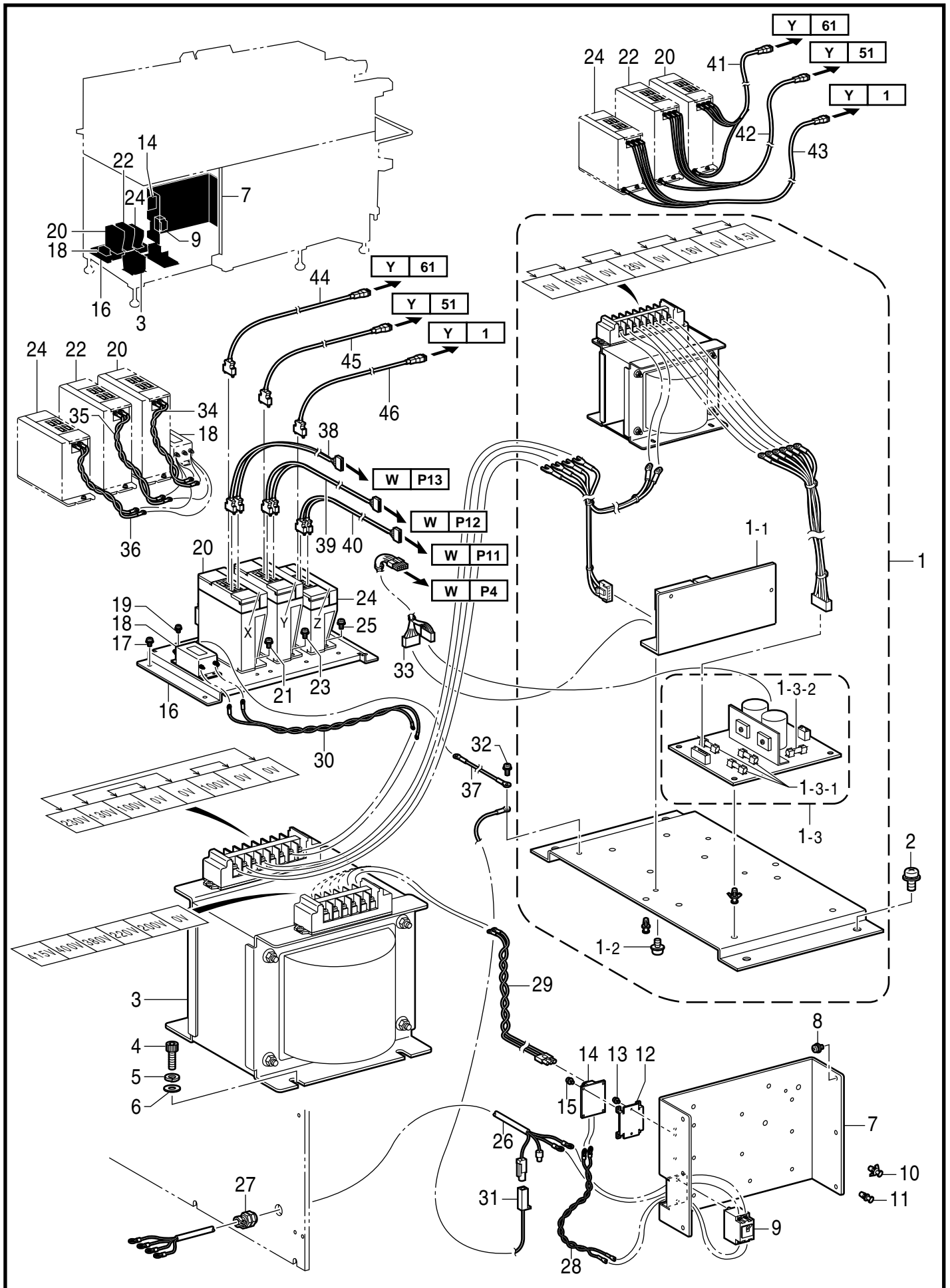


U2. Air pressure mechanism

REF.NO.	CODE	QTY	NAME OF PARTS	RM
57	062301606	1	SCREW, PAN M3X16	
58	028030246	1	WASHER, SPRING 2-3	
59	021300206	1	NUT, 2 M3	
60	S14328000	1	THROTTLE VALVE	
67	S12104000	2	UNION, Y4	
68	018403036	1	BOLT, SOCKET M4X30	
69	028040246	1	WASHER, SPRING 2-4	
70	S19554000	1	MULTI CONNECTOR ASSY, 6P	
70-1	S19549000	1	MULTI CONNECTOR, 6P	
70-2	S19556000	6	AIR TUBE 4X2.5-50	
70-3	S19555000	6	CAP, 4	
71	S04897000	4	PLUG, 4	
100	S28686000	2	AIR TUBE, 6 L=900	
102	S46259000	1	AIR TUBE, 6 L=2000	
145	S31706000	1	AIR TUBE, 4 L=1510	
146	S15031007	1	AIR TUBE, 4 L=1700	
147	S11440003	1	AIR TUBE, L=1800	
148	S15031008	1	AIR TUBE, 4 L=1900	
149	S15031007	1	AIR TUBE, 4 L=1700	
150	S15031008	1	AIR TUBE, 4 L=1900	
151	S41943000	1	AIR TUBE, 4 L=1450	
152	S41943000	1	AIR TUBE, 4 L=1450	
154	S31703000	1	AIR TUBE, 4 L=1770	
155	S14085001	1	AIR TUBE, 4 L=82	
156	S46257000	1	AIR TUBE, 6 L=1770	
157	S08140000	1	AIR TUBE, 4 L=200	
158	S14085005	1	AIR TUBE, 4 L=145	
159	S14085013	1	AIR TUBE, 4 L=1630	
160	S31502000	1	AIR TUBE, 4X1680	
161	S14085014	1	AIR TUBE, 4 L=1730	
162	S14085014	1	AIR TUBE, 4 L=1730	
163	S15031010	1	AIR TUBE, 4 L=2100	
164	S15031010	1	AIR TUBE, 4 L=2100	
165	S18387005	2	AIR TUBE, 4 L=2400	
166	S14085005	2	AIR TUBE, 4 L=145	
167	S41635000	2	AIR TUBE, 4 L=310	
173	149796001	1	AIR HOSE, W/CONNECTOR	

V1 . 電装品関係

V1 . Power supply equipment mechanism

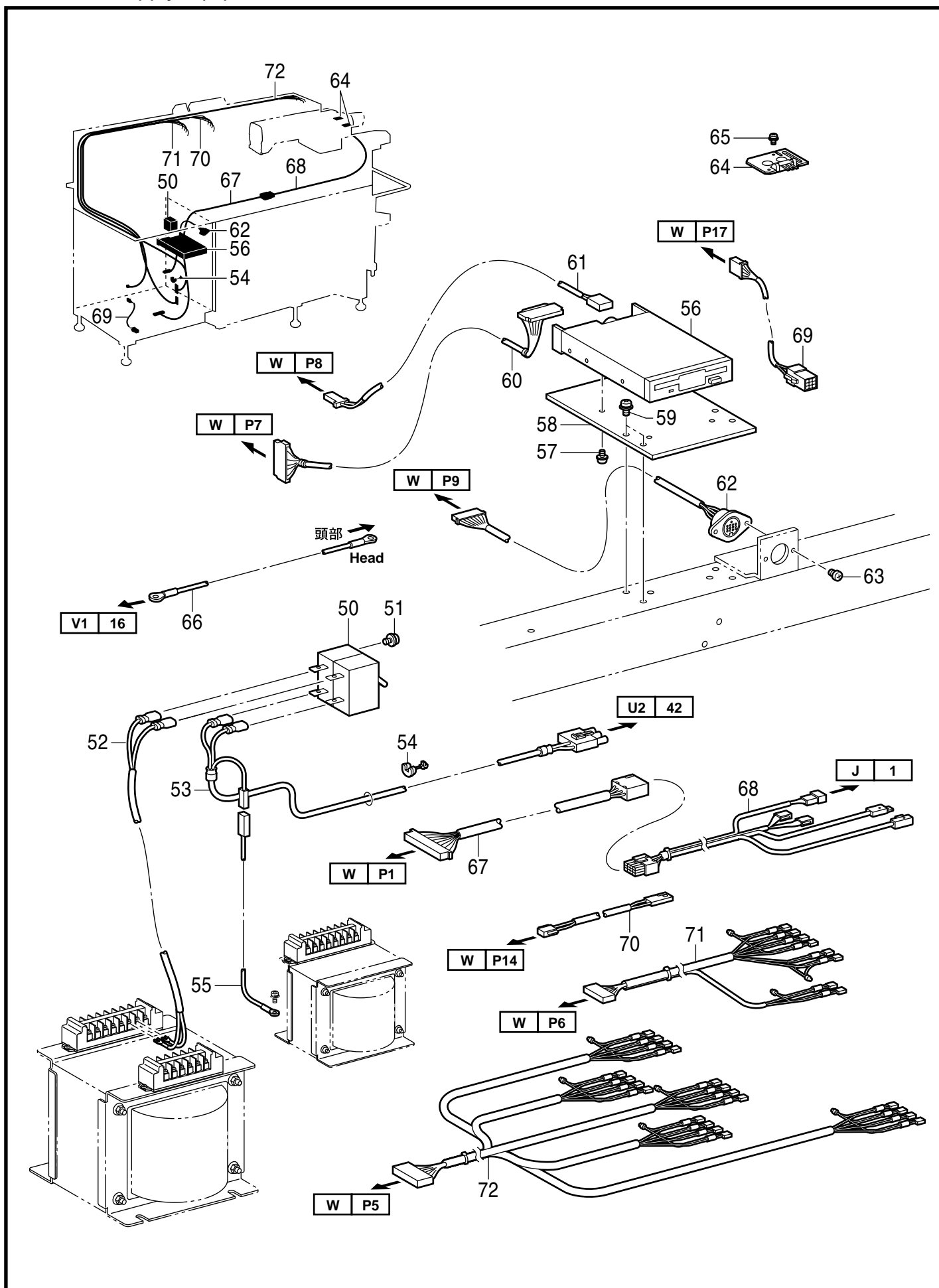


V1. Power supply equipment mechanism

REF.NO.	CODE	QTY	NAME OF PARTS	RM
1	S46596001	1	POWER SUPPLY UNIT ASSY	
1-1	S46738000	1	POWER SUPPLY, SWITCHING	
1-2	0A5300805	2	SCREW, PAN (S/P WASHER) M3X8	
1-3	S46599001	1	POWER SUPPLY PCB ASSY	
1-3-1	152565000	3	FUSE, B 5A	
1-3-2	152566000	1	FUSE, C 2A	
2	0A5501005	4	SCREW, PAN (S/P WASHER) M5X10	
3	S46594100	1	TRANSFORMER, 1	
4	018082036	4	BOLT, SOCKET M8X20	
5	028080246	4	WASHER, SPRING 2-8	
6	025080236	4	WASHER, PLAIN M 8	
7	S46326001	1	SETTING PLATE, PCB	
8	0A5400805	6	SCREW, PAN (S/P WASHER) M4X8	
9	S21504000	1	<For "200V AC & 220V AC"> BREAKER, F10A	
9	S21181000	1	<For "380V AC, 400V AC & 415V AC"> BREAKER, F5A	
10	S00554000	6	SUPPORT, 6NS	
11	S38111000	3	SUPPORT, 6S	
12	S40620000	1	PCB SETTING PLATE	
13	0A5300605	2	SCREW, PAN (S/P WASHER) M3X6	
14	S40616001	1	NOISE FILTER ASSY, EMC	
15	0A5400805	4	SCREW, PAN (S/P WASHER) M4X8	
16	S46621001	1	SETTING PLATE, AMPLIFIER	
17	0A5501005	4	SCREW, PAN (S/P WASHER) M5X10	
18	S46595000	1	NOIZE FILTER, LF210	
19	0A4400805	4	SCREW, PAN (S/P WASHER) M4X8	
20	S46613001	1	SERVO AMPLIFIER, X-761	
21	0A5501205	3	SCREW, PAN (S/P WASHER) M5X12	
22	S46616001	1	SERVO AMPLIFIER, Y-761	
23	0A5501205	3	SCREW, PAN (S/P WASHER) M5X12	
24	S46618001	1	SERVO AMPLIFIER, Z-761	
25	0A5501205	2	SCREW, PAN (S/P WASHER) M5X12	
26	S23868000	1	POWER SUPPLY HARNESS, A	
27	152510000	1	CORD BUSH	
28	S46608000	1	HARNESS, BREAKER-NF1	
29	S46707000	1	HARNESS, NF1-T1	
30	S46609000	1	HARNESS, T1-NF2	
31	S46610000	1	GROUND WIRE	
32	0A5401205	1	SCREW, PAN (S/P WASHER) M4X12	
33	S46612000	1	MAIN POWER SUPPLY HARNESS	
34	S46622000	1	SERVO POWER SUPPLY HARNESS, X	
35	S46623000	1	SERVO POWER SUPPLY HARNESS, Y	
36	S46624000	1	SERVO POWER SUPPLY HARNESS, Z	
37	S46611000	1	GROUND WIRE	
38	S46625000	1	SERVO HARNESS, X	
39	S46626000	1	SERVO HARNESS, Y	
40	S46627000	1	SERVO HARNESS, Z	
41	S46630000	1	MOTOR POWER SUPPLY HARNESS, X	
42	S46631000	1	MOTOR POWER SUPPLY HARNESS, Y	
43	S46632000	1	MOTOR POWER SUPPLY HARNESS, Z	
44	S46633000	1	ENCORDER HARNESS, X	
45	S46634000	1	ENCORDER HARNESS, Y	
46	S46635000	1	ENCORDER HARNESS, Z	

V2 . 電装品関係

V2 . Power supply equipment mechanism

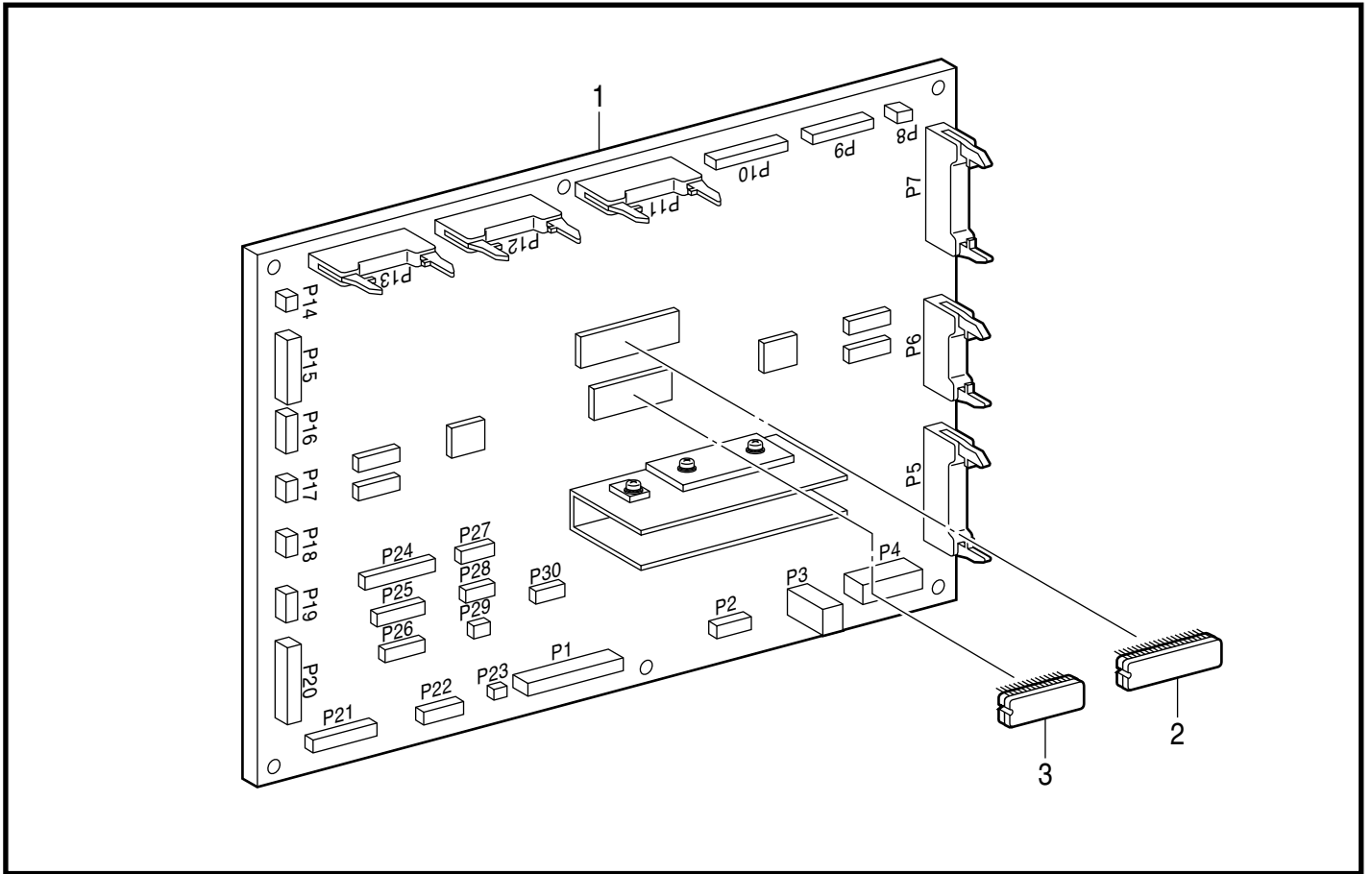


V2. Power supply equipment mechanism

REF.NO.	CODE	QTY	NAME OF PARTS	RM
50	S31319000	1	CIRCUIT PROTECTOR, 5A	
51	0A4300606	2	SCREW, PAN (S/P WASHER) M3X6	
52	S46638000	1	HARNESS, T1-PROTECTOR	
53	S46639000	1	HARNESS, PROTECTOR-MOTOR	
54	S46694000	1	CORD BUSH, KR61A	
55	S46640000	1	GROUND WIRE	
56	S43224000	1	FDD, 3.5	
57	0A5300805	4	SCREW, PAN (S/P WASHER) M3X8	
58	S46709000	1	SETTING PLATE, FDD	
59	0A5400805	4	SCREW, PAN (S/P WASHER) M4X8	
60	S46708000	1	HARNESS, FDD	
61	S46641000	1	POWER SUPPLY HARNESS, FDD	
62	S46642000	1	HARNESS, PROGRAMMER	
63	002300603	2	SCREW, PAN M3X6	
64	S12463001	2	SENSOR PCB ASSY, 1	
65	0A4300605	2	SCREW, PAN (S/P WASHER) M3X6	
66	S46643000	1	GROUND WIRE	
67	S46644000	1	SENSOR HARNESS, A-HEAD	
68	S46645000	1	SENSOR HARNESS, B-HEAD	
69	S46653000	1	HARNESS, FOOT SWITCH	
70	S46655000	1	AIR SWITCH HARNESS	
71	S46656000	1	VALVE HARNESS, MAIN	
72	S46657000	1	VALVE HARNESS, FOLD.	

W . プリント基板関係

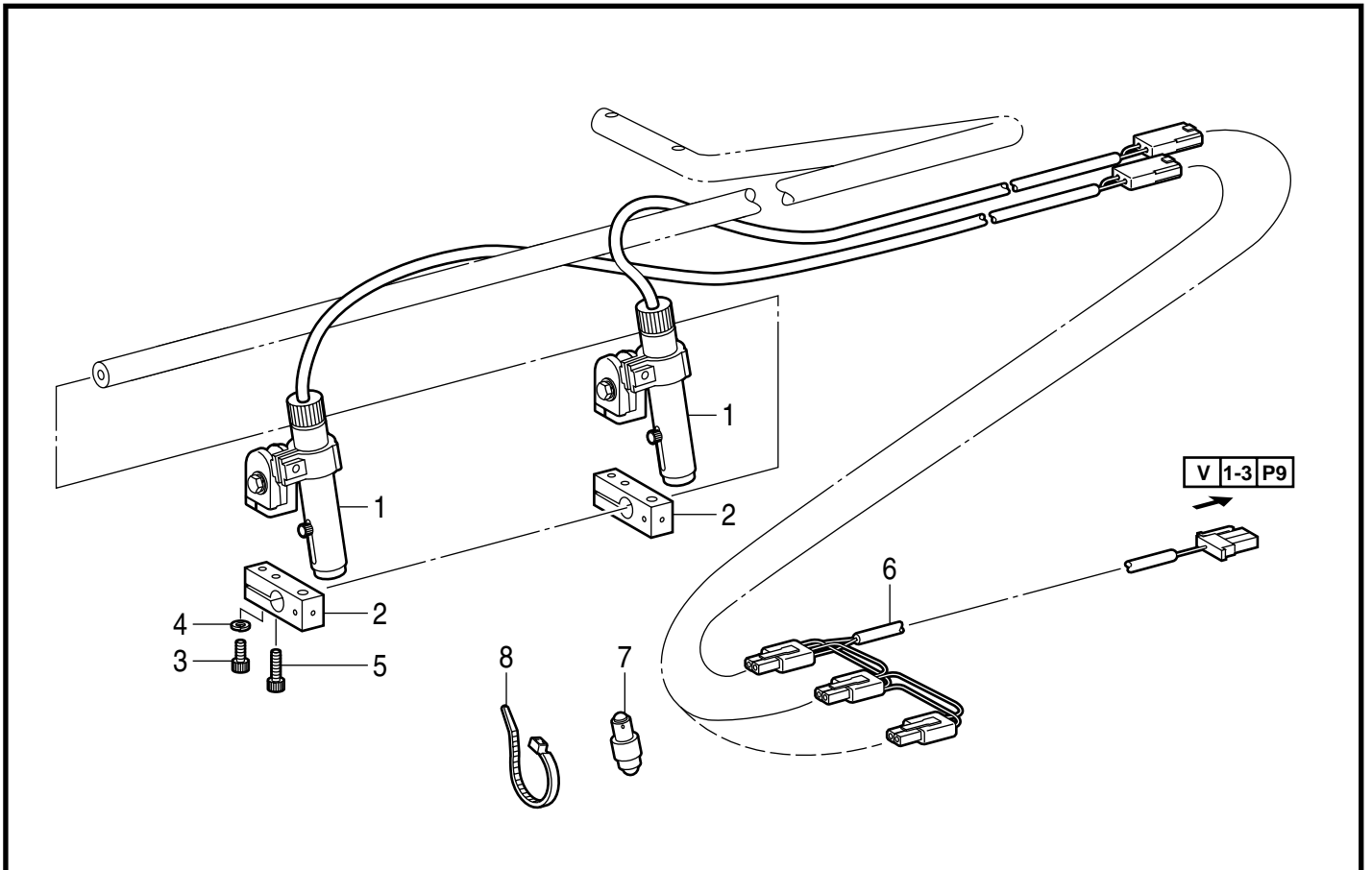
W . Printed circuit board mechanism



151-761-518

X . マーカー関係 (オプション部品)

X . Marker mechanism (Option parts)



151-761-521

W. Printed circuit board mechanism

REF.NO.	CODE	QTY	NAME OF PARTS	RM
1	S46658001	1	MAIN PCB ASSY	
2	S46678000	1	PROM, 761 MAIN	
3	S46679000	1	PROM, 761 F-GROUP	

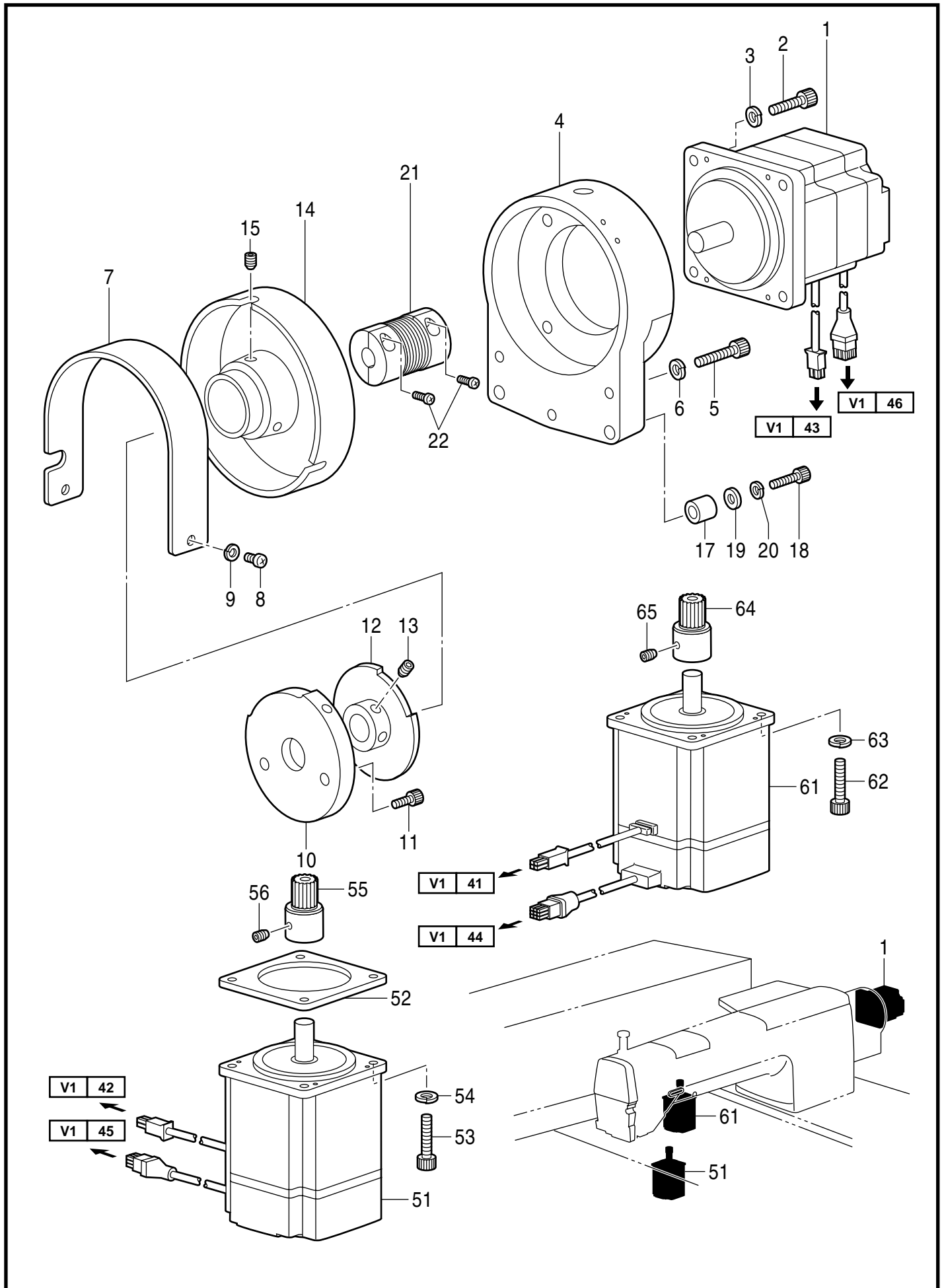
151-761-518

X. Marker mechanism (Option parts)

REF.NO.	CODE	QTY	NAME OF PARTS	RM
1	S27937000	2	MARKING LIGHT ASSY, T	
2	S24958001	2	MARKER SETTER, RIGHT	
3	018502036	2	BOLT, SOCKET M5X20	
4	028050246	2	WASHER, SPRING 2-5	
5	018503036	2	BOLT, SOCKET M5X30	
6	S46680000	1	HARNESS, MARKER	
7	S08137000	1	LAMP, 5W	
8	S04557000	5	BAND, PLTIM	

151-761-521

Y. モータ関係
 Y. Motor mechanism

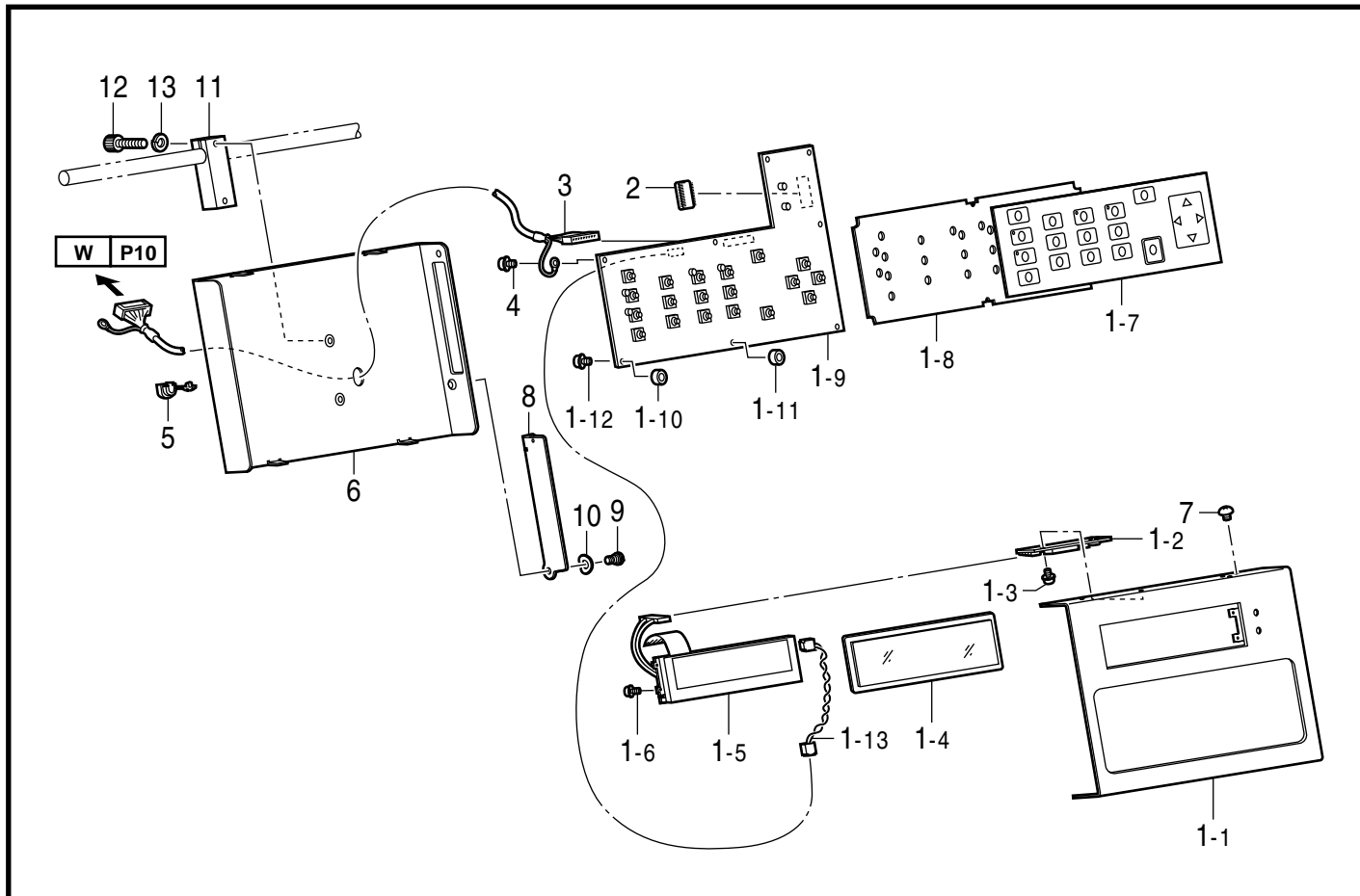


Y.Motor mechanism

REF.NO.	CODE	QTY	NAME OF PARTS	RM
1	S46629000	1	SERVO MOTOR, 400W	
2	018062036	4	BOLT, SOCKET M6X20	
3	028060246	4	WASHER, SPRING 2-6	
4	S45673001	1	MOTTOR BRACKET, DD	
5	018062536	3	BOLT, SOCKET M6X25	
6	028060246	3	WASHER, SPRING 2-6	
7	S24960009	1	PULLEY COVER	
8	062400816	2	SCREW, PAN M4X8	
9	028040246	2	WASHER, SPRING 2-4	
10	S46230001	1	COLLAR, SENSOR HOLDER	
11	018401036	2	BOLT, SOCKET M4X10	
12	S46231001	1	SENSOR DOG ASSY	
13	012400436	2	SET SCREW, SOCKET (FT) M4X4	
14	S24963009	1	PULLEY	
15	014710522	2	SET SCREW, SOCKET (CP) SM4.76	
17	152914001	2	ROLLER	
18	018402036	2	BOLT, SOCKET M4X20	
19	100645003	2	WASHER	
20	028040246	2	WASHER, SPRING 2-4	
21	S49197000	1	COUPLING	
22	062401216	2	SCREW, PAN M4X12	
51	S46628000	1	SERVO MOTOR, 750W	
52	S47247000	1	SPACER, MOTOR	
53	018502536	4	BOLT, SOCKET M5X25	
54	028050246	4	WASHER, SPRING 2-5	
55	S46176000	1	DRIVING GEAR	
56	012060636	2	SET SCREW, SOCKET (FT) M6X6	
61	S46628000	1	SERVO MOTOR, 750W	
62	018502036	4	BOLT, SOCKET M5X20	
63	028050246	4	WASHER, SPRING 2-5	
64	S46176000	1	DRIVING GEAR	
65	012060636	2	SET SCREW, SOCKET (FT) M6X6	

AA . 操作パネル関係

AA . Operation panel mechanism

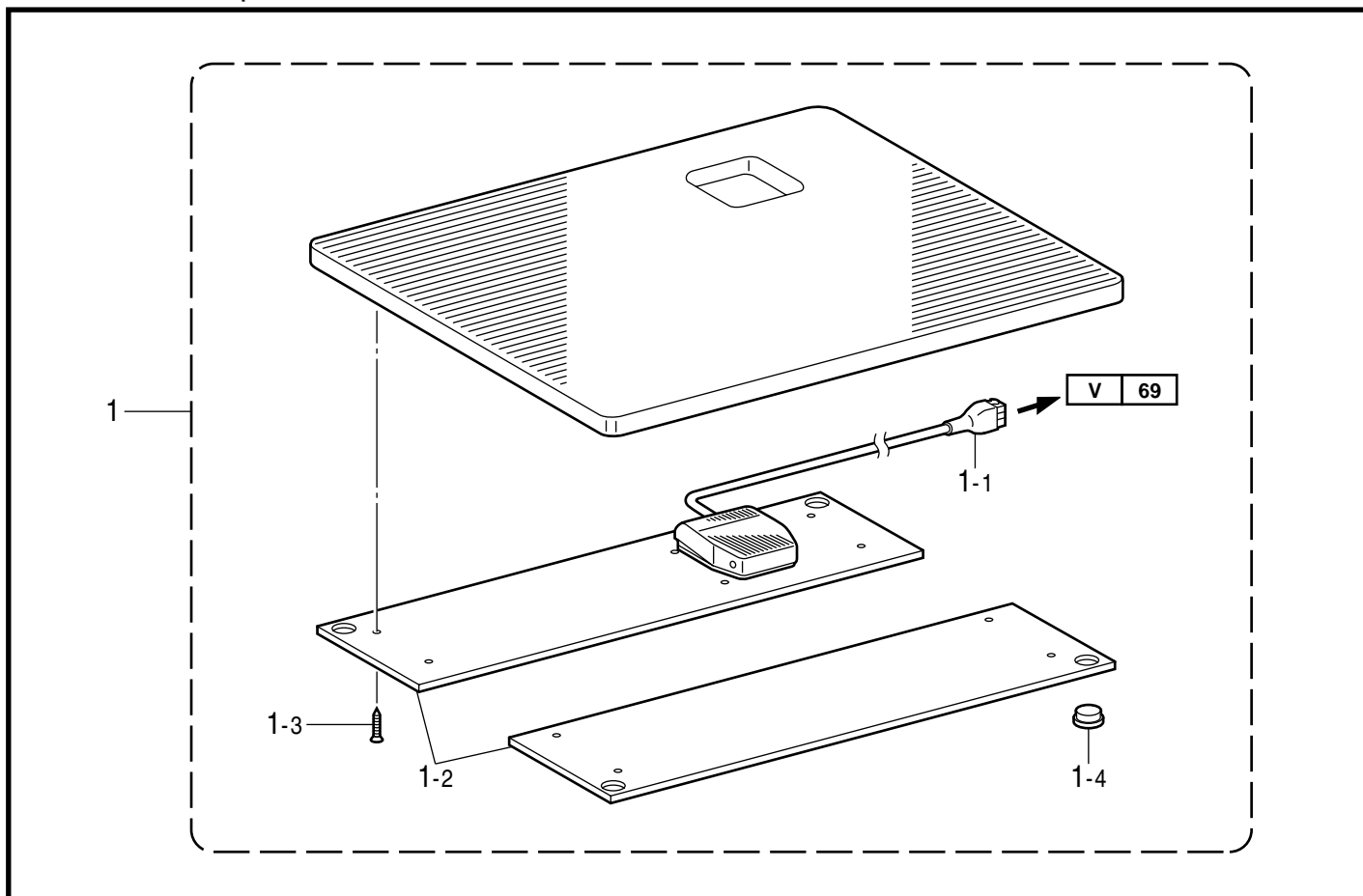


151-761-530

AB . 踏板関係

AB . Foot switch pedal mechanism

151-761-530



151-761-651

AA.Operation panel mechanism

REF.NO.	CODE	QTY	NAME OF PARTS	RM
1	S46681001	1	OPERATION PANEL COVER ASSY	
1-1	S46196101	1	PANEL COVER	
1-2	S40448000	1	INVERTER	
1-3	0A4300605	3	SCREW, PAN (S/P WASHER) M3X6	
1-4	S45176001	1	PLATE	
1-5	S40447000	1	LCD MODULE	
1-6	S46833001	4	SCREW, PAN M1.6X4	
1-7	S46682000	1	SWITCH SHEET	
1-8	S46197101	1	SWITCH PLATE	
1-9	S46683001	1	PANEL PCB ASSY	
1-10	S46198100	4	SPACER, A	
1-11	S46710100	2	SPACER, B	
1-12	0A4300605	8	SCREW, PAN (S/P WASHER) M3X6	
1-13	S40455000	1	INVERTER HARNESS, PANEL	
2	S46712000	1	<For Japan only> -----	
2	S46696000	1	<For Export> PROM, 761 PANEL-M	
3	S46693000	1	PANEL HARNESS	
4	0A4300605	1	SCREW, PAN (S/P WASHER) M3X6	
5	S46694000	1	CORD BUSH, KR61A	
6	S46695001	1	RID, PANEL COVER	
7	008400604	4	SCREW, TRUSS M4X6	
8	S40499009	1	SIDE COVER, PANEL	
9	107321009	1	SHOULDER SCREW, SM4.76	
10	107017001	1	WASHER, SPRING WAVE	
11	S12246001	1	PANEL SUPPORT	
12	018502536	2	BOLT, SOCKET M5X25	
13	028050246	2	WASHER, SPRING 2-5	

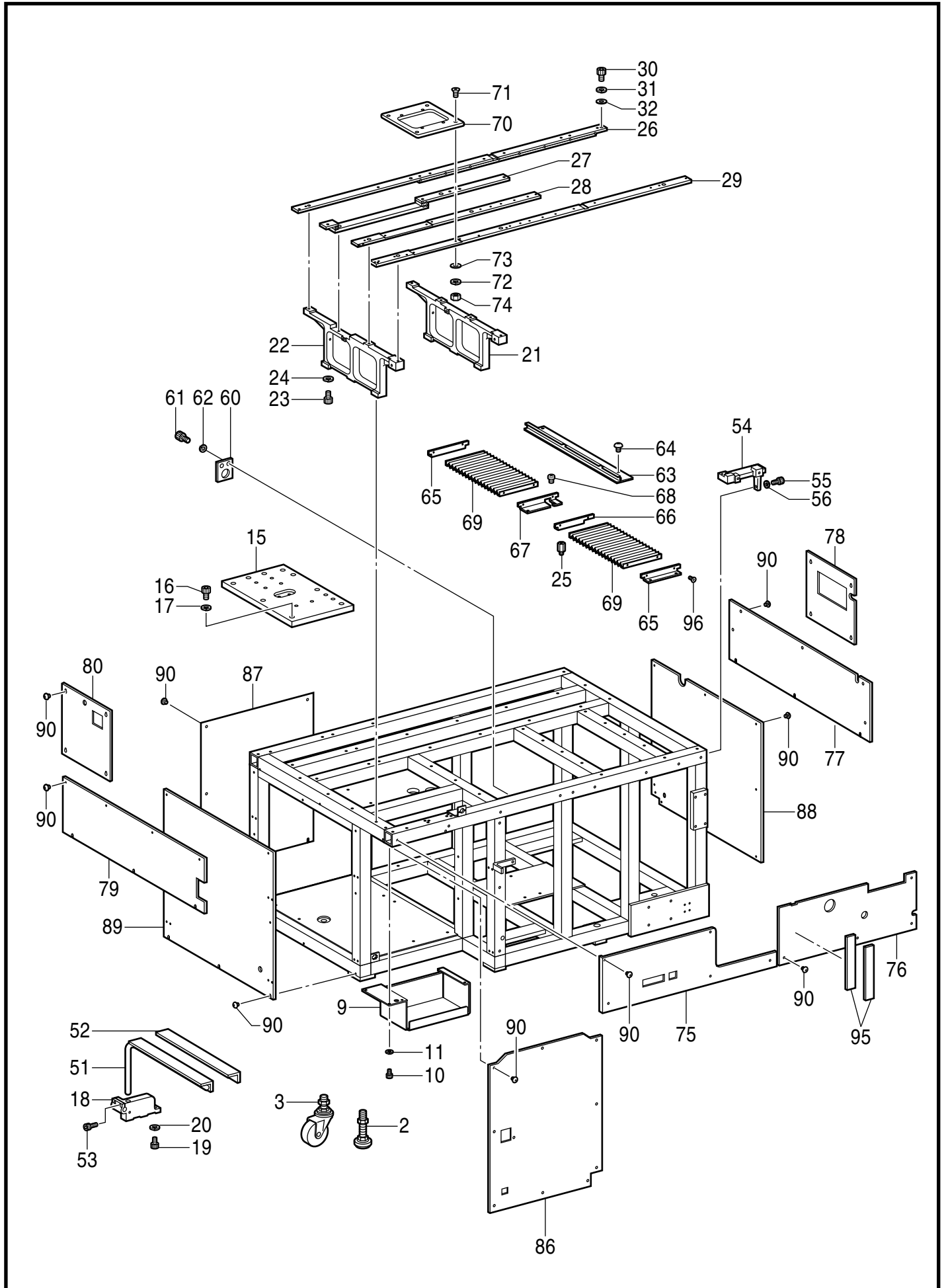
151-761-530

AB. Foot switch pedal mechanism

REF.NO.	CODE	QTY	NAME OF PARTS	RM
1	S46265001	1	FOOT SWITCH PLATE ASSY, L1	
1-1	S46717000	1	FOOT SWITCH ASSY, 1-STEP	
1-2	S01824000	2	SWITCH SUPPORT	
1-3	034321302	10	WOOD SCREW, FLAT M3.1X13	
1-4	159150009	4	RUBBER CAP, 20.5	

151-761-651

AC1 . 動力台關係
 AC1 . Power table

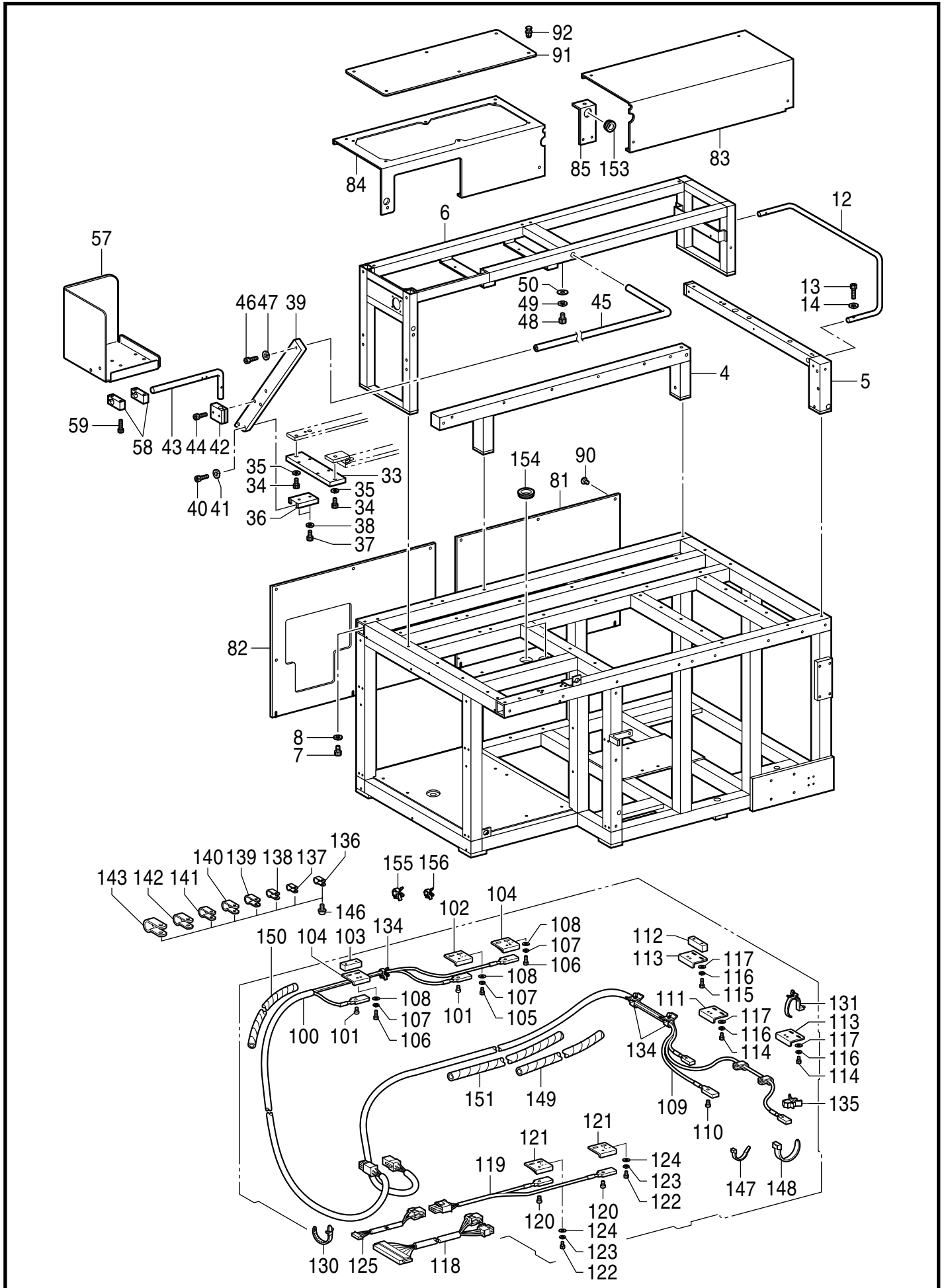


AC1. Power table

REF.NO.	CODE	QTY	NAME OF PARTS	RM
2	S24777100	8	ADJUSTING SCREW, 20	
3	S40883000	4	CASTER, 100	
9	S12235009	1	TOOL BOX	
10	018400836	4	BOLT, SOCKET M4X8	
11	028040246	4	WASHER, SPRING 2-4	
15	S46168001	1	BASE, F-BRACKET	
16	018081636	6	BOLT, SOCKET M8X16	
17	028080246	6	WASHER, SPRING 2-8	
18	S15547009	1	PANEL BASE	
19	018081236	3	BOLT, SOCKET M8X12	
20	028080246	3	WASHER, SPRING 2-8	
21	S24564101	1	BASE, L N-PLATE	
22	S46329001	1	BASE, L N-PLATE	
23	018081236	6	BOLT, SOCKET M8X12	
24	028080246	6	WASHER, SPRING 2-8	
25	S46203001	1	BASE, A N-PLATE	
26	S45699001	1	HOLDER, 1 N-PLATE	
27	S45700001	1	HOLDER, 2 N-PLATE	
28	S45701001	1	HOLDER, 3 N-PLATE	
29	S45702001	1	HOLDER, 4 N-PLATE	
30	018501236	10	BOLT, SOCKET M5X10	
31	028050246	10	WASHER, SPRING 2-5	
32	025050236	10	WASHER, PLAIN M 5	
51	S12359001	1	CLOTH SUPPORTER	
52	S12280200	1	SPONGE, 2X440X60	
53	018502036	2	BOLT, SOCKET M5X20	
54	S35745109	1	SUPPORTER, ROLLER	
55	018081636	2	BOLT, SOCKET M8X16	
56	028080246	2	WASHER, SPRING 2-8	
60	S12506001	1	AIR GUN HOOK	
61	018400836	2	BOLT, SOCKET M4X8	
62	028040246	2	WASHER, SPRING 2-4	
63	S47236001	1	RAIL, BELLOW	
64	008400804	2	SCREW, TRUSS M4X8	
65	S47238001	2	SETTING PLATE, A-BELLOW	
66	S47239001	1	SETTING PLATE, B-BELLOW	
67	S47240001	1	SETTING PLATE, C-BELLOW	
68	062680812	8	SCREW, PAN SM4.37-40X8	
69	S47241001	2	BELLOW ASSY	
70	S47245001	1	SETTING PLATE, D-VACCUME	
71	004401414	4	SCREW, FLAT M4X14	
72	028040246	4	WASHER, SPRING 2-4	
73	025040236	4	WASHER, PLAIN M 4	
74	021400206	4	NUT, 2 M4	
75	S47248001	1	FRONT COVER, L	
76	S47249001	1	FRONT COVER, R	
77	S47250001	1	SIDE COVER, RD	
78	S47251001	1	SIDE COVER, RU	
79	S47252001	1	SIDE COVER, LD	
80	S47253001	1	SIDE COVER, LU	
86	S47259001	1	COVER, FRONT POWER	
87	S47260001	1	COVER, REAR POWER	
88	S47261001	1	COVER, RIGHT POWER	
89	S47262001	1	COVER, LEFT POWER	
90	008400604	46	SCREW, TRUSS M4X6	
95	S37841000	2	CUSHION	
96	004400702	8	SCREW, FLAT M4X7	
97	S12466000	1	FREE BUSH, B	

AC2 . 動力台關係

AC2 . Power table / Motorgestell

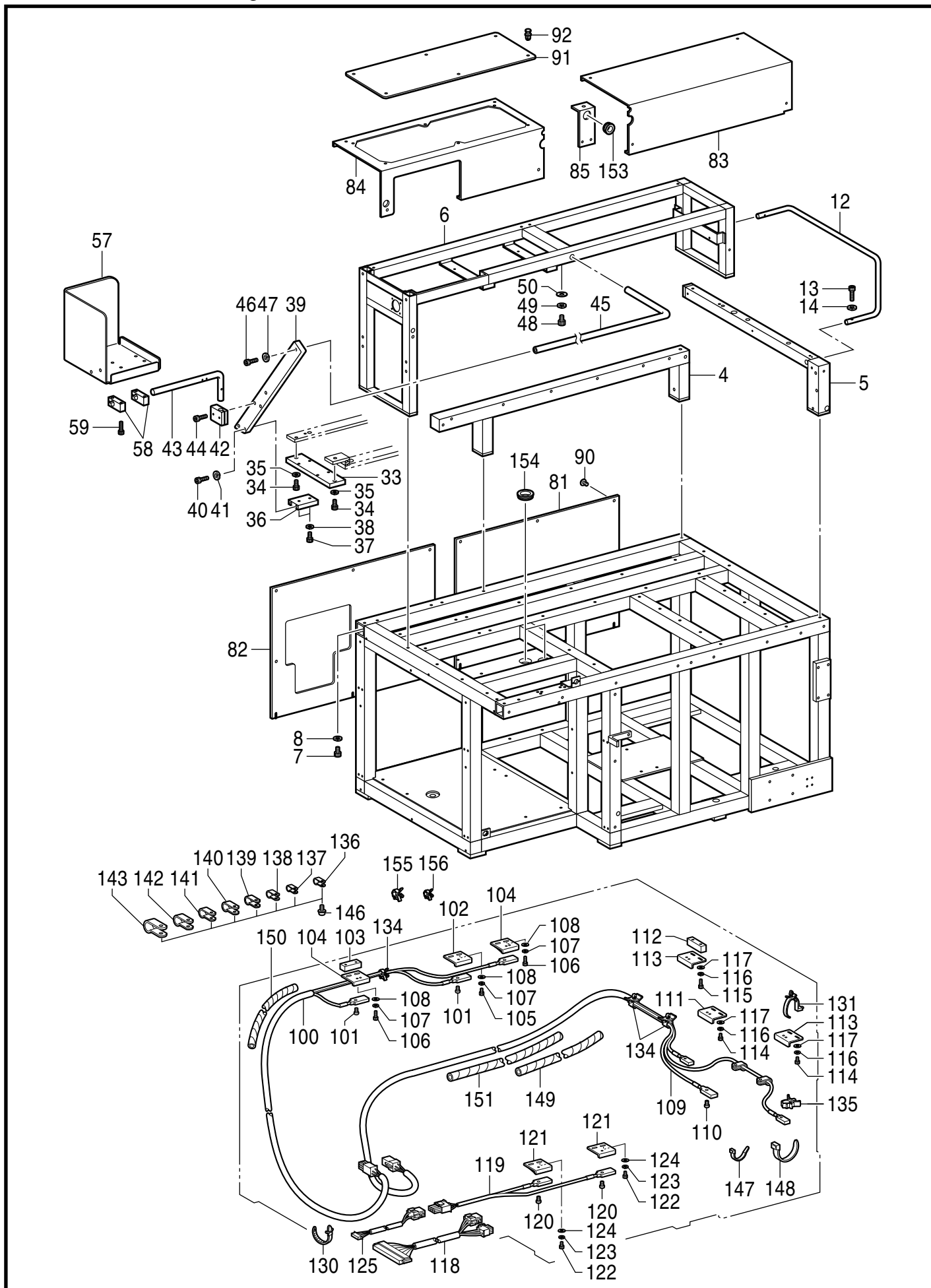


AC2. Power table

REF.NO.	CODE	QTY	NAME OF PARTS	RM
4	S46204001	1	SUB FRAME, A	
5	S46205001	1	SUB FRAME, B	
6	S46206101	1	SUB FRAME, C	
7	018081236	8	BOLT, SOCKET M8X12	
8	028080246	8	WASHER, SPRING 2-8	
12	S47344001	1	GUARD BAR	
13	018502536	2	BOLT, SOCKET M5X25	
14	028050246	2	WASHER, SPRING 2-5	
33	S12216001	1	BASE SPACER	
34	018501636	2	BOLT, SOCKET M5X16	
35	028050246	2	WASHER, SPRING 2-5	
36	S12217001	1	SETTING PLATE, LAMP	
37	018501636	2	BOLT, SOCKET M5X16	
38	028050246	2	WASHER, SPRING 2-5	
39	S47246001	1	HOLDER, L-SETTING PLATE	
40	018501636	2	BOLT, SOCKET M5X16	
41	028050246	2	WASHER, SPRING 2-5	
42	S23400101	1	PANEL SUPPORTER	
43	S31323001	1	PANEL SUPPORT BAR	
44	018502036	2	BOLT, SOCKET M5X20	
45	S46330001	1	SETTING SHAFT, PANEL	
46	018501636	2	BOLT, SOCKET M5X16	
47	028050246	2	WASHER, SPRING 2-5	
48	018062536	1	BOLT, SOCKET M6X25	
49	028060246	1	WASHER, SPRING 2-6	
50	025060236	1	WASHER, PLAIN M 6	
57	S31322209	1	POCKET SUPPORT, LL	
58	S12246001	2	PANEL SUPPORT	
59	018502536	4	BOLT, SOCKET M5X25	
81	S47254101	1	REAR COVER, R	
82	S47255001	1	REAR COVER, L	
83	S47256001	1	TOP COVER, R	
84	S47257101	1	TOP COVER, L	
85	S47258001	1	SUPPORT PLATE, TOP COVER	
90	008400604	46	SCREW, TRUSS M4X6	
91	S47338001	1	COVER, VALVE	
92	S12481000	6	NYLATCH	
100	S46648000	1	AREA SENSOR, X	
101	062301006	1	SCREW, PAN M3X10	
102	S46184001	1	SETTING PLATE, SENSOR	
103	S46185001	1	SPACER	
104	S46192001	2	SETTING BRACKET, OVER-SENSOR	
105	018300836	4	BOLT, SOCKET M3X8	
106	018302036	2	BOLT, SOCKET M3X20	
107	028030246	6	WASHER, SPRING 2-3	
108	025030236	6	WASHER, PLAIN M 3	
109	S46649000	1	AREA SENSOR, Y	
110	062301006	1	SCREW, PAN M3X10	
111	S46184001	1	SETTING PLATE, SENSOR	
112	S46185001	1	SPACER	
113	S46192001	2	SETTING BRACKET, OVER-SENSOR	
114	018300836	4	BOLT, SOCKET M3X8	
115	018302036	2	BOLT, SOCKET M3X20	
116	028030246	6	WASHER, SPRING 2-3	
117	025030236	6	WASHER, PLAIN M 3	
118	S46650000	1	HARNESS, AREA SENSOR	
119	S46651000	1	SENSOR, CLAMP-IN	
120	062301006	2	SCREW, PAN M3X10	
121	S46184001	2	SETTING PLATE, SENSOR	

AC2 . 動力台關係

AC2 . Power table / Motorgestell

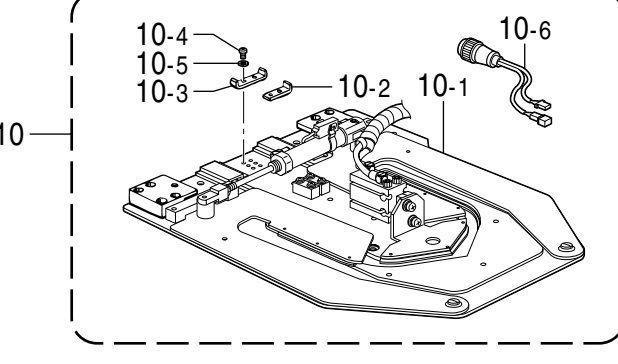
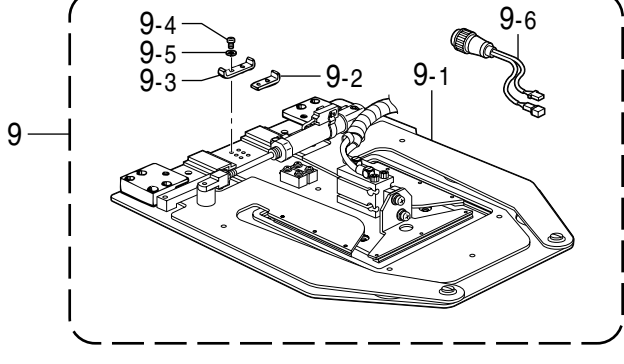
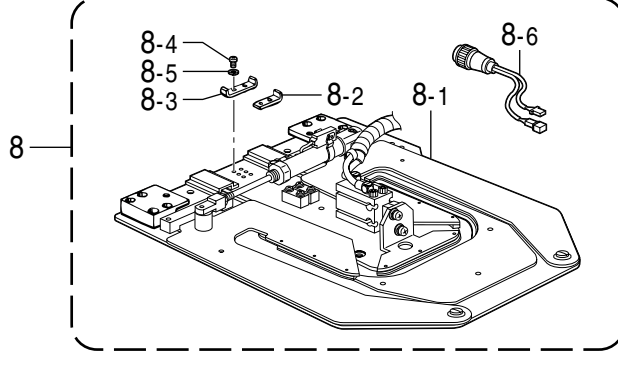
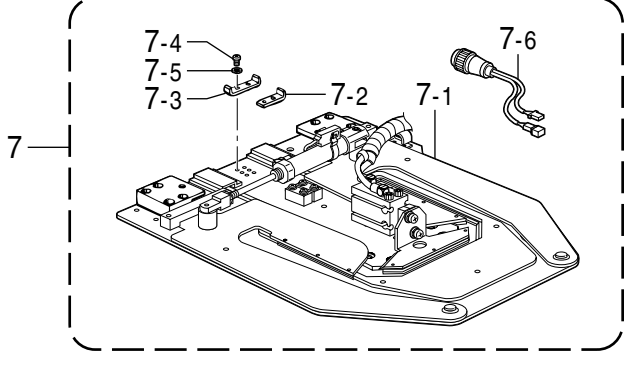
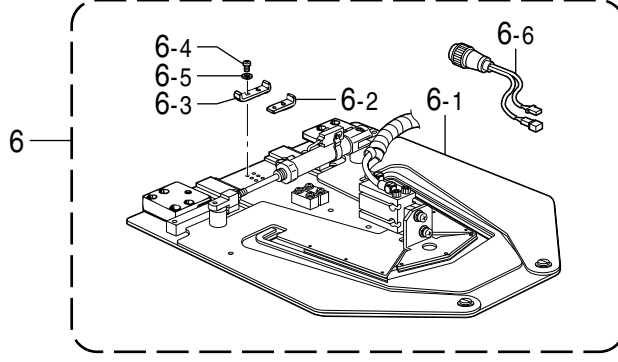
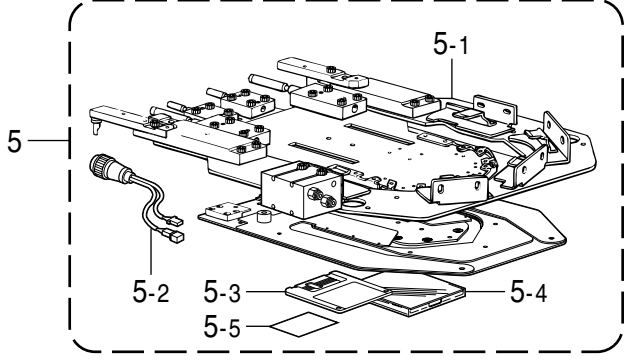
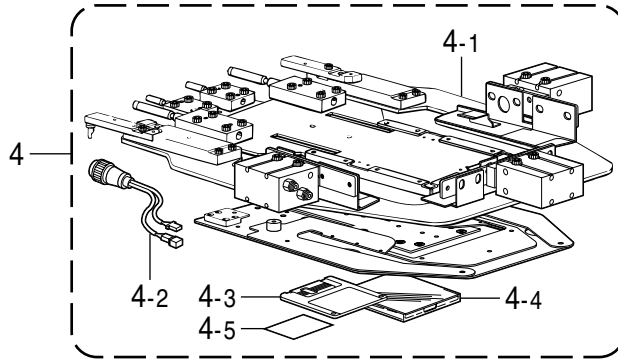
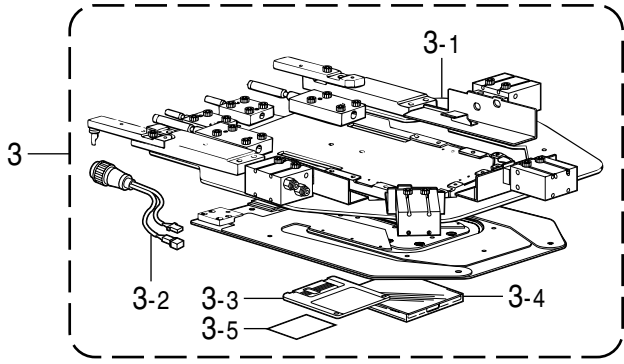
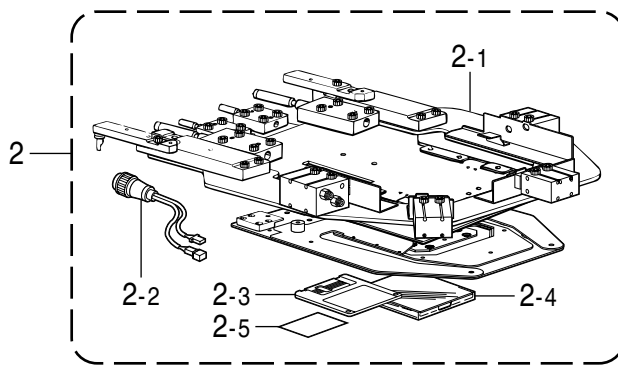
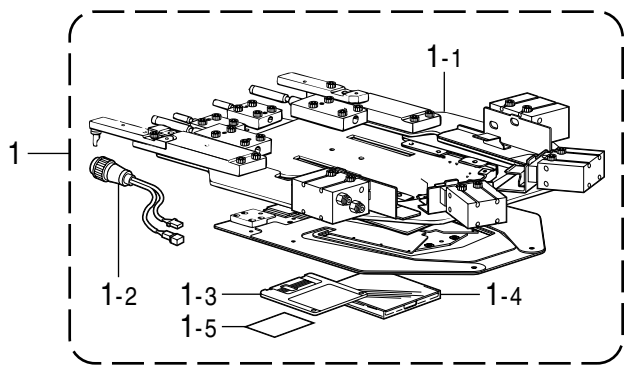


AC2. Power table

REF.NO.	CODE	QTY	NAME OF PARTS	RM
122	018300836	4	BOLT, SOCKET M3X8	
123	028030246	4	WASHER, SPRING 2-3	
124	025030236	4	WASHER, PLAIN M 3	
125	S46652000	1	HARNESS, CLAMP-IN	
130	S39819000	24	CORD CLAMP, 1259	
131	S39821000	4	CORD CLAMP, 19P7	
134	S09141000	4	CORD CLAMP, 16-L	
135	S09142000	1	CORD CLAMP, 20-L	
136	625010000	3	CORD HOLDER, NK-2N	
137	149547000	1	CORD HOLDER, 4N	
138	S00480000	5	CORD HOLDER, 5N	
139	525664000	2	CORD HOLDER, 6N	
140	525567000	3	CORD HOLDER, 8N	
141	525907000	2	CORD HOLDER, 9N	
142	554482000	3	CORD HOLDER, 12N	
143	552908000	2	CORD HOLDER, 14N	
146	0A5400806	21	SCREW, PAN (S/P WASHER) M4X8	
147	S04557000	4	BAND, PLTIM	
148	149809000	6	BEAD BAND, L=200	
149	S49149000	4	SPIRAL, 6 L=250	
150	S49150000	1	SPIRAL, 6 L=300	
151	S49151000	3	SPIRAL, 12 L=750	
153	S46583000	1	BUSHING, TB-2533	
154	S38820000	2	BUSHING, 35	
155	S39820000	23	CORD CLAMP, 1763	
156	150357001	1	CORD CLAMP, 13-L	

AD1 . 付属装置関係 (オプション部品)

AD1 . Attachment set (Option parts)

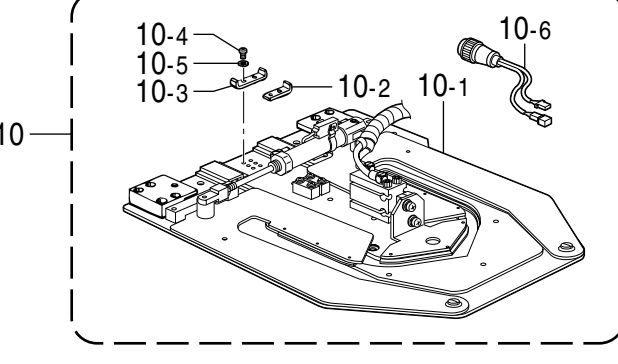
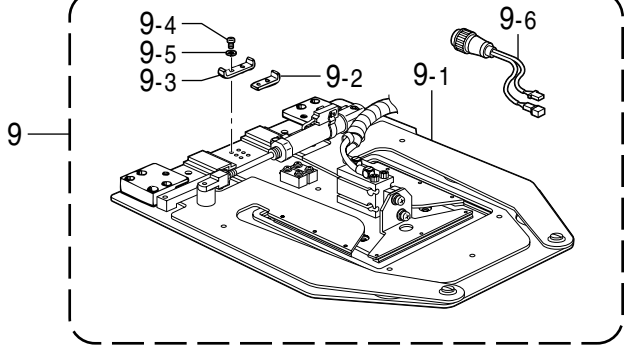
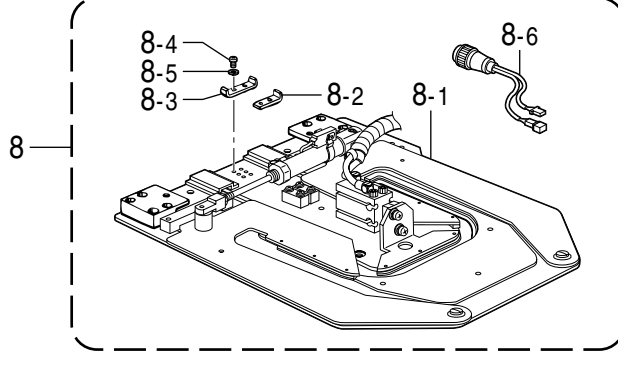
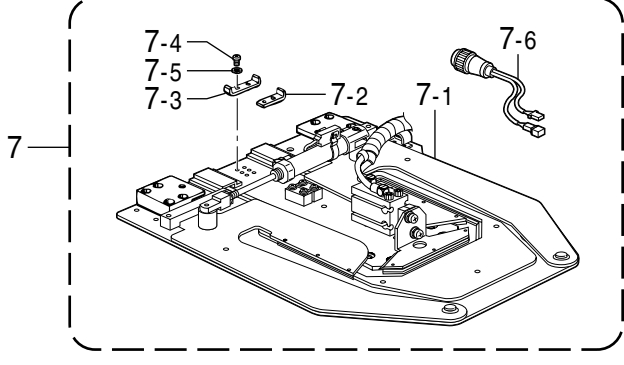
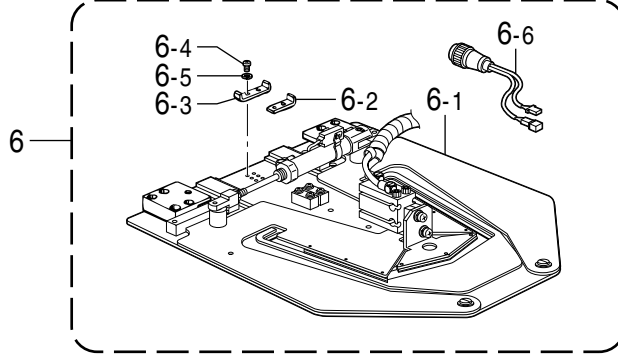
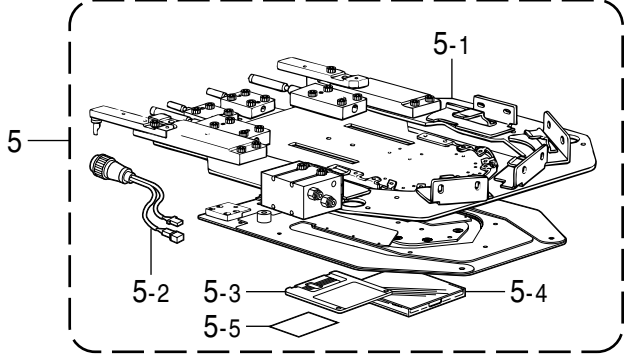
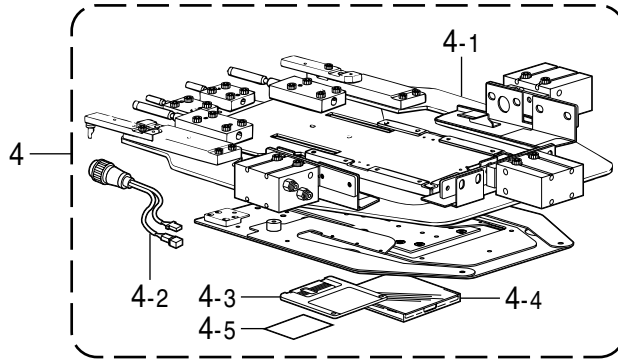
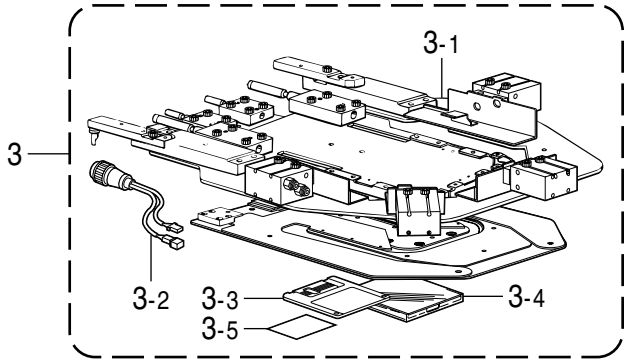
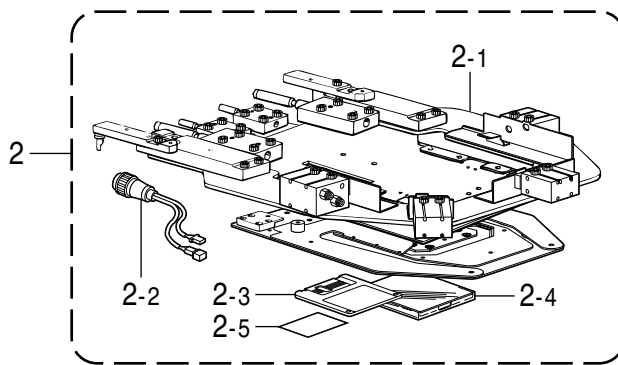
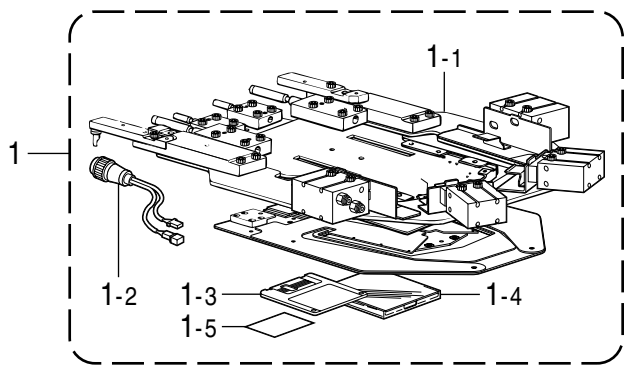


AD1.Attachment set (Option parts)

REF.NO.	CODE	QTY	NAME OF PARTS	RM
1	S47646XXX	1	F-GROUP SUPPLY ASSY, 761 MI-2J	
1-1	S43653XXX	1	F-GROUP ASSY, TRIANGLE-J2	
1-2	S46702000	1	SENSOR HARNESS, B RETRACTABLE	
1-3	S43273000	1	3.5 MEDIA, 2HD	
1-4	S09989000	1	FLOPPY CASE	
1-5	S42658000	1	INDEX LABEL, 3.5FD	
2	S47647XXX	1	F-GROUP SUPPLY ASSY, 761 MI-J2	
2-1	S43655XXX	1	F-GROUP ASSY, MITER-J2	
2-2	S46702000	1	SENSOR HARNESS, B RETRACTABLE	
2-3	S43273000	1	3.5 MEDIA, 2HD	
2-4	S09989000	4	FLOPPY CASE	
2-5	S42658000	1	INDEX LABEL, 3.5FD	
3	S47648XXX	1	F-GROUP SUPPLY ASSY, 761 R-1J2	
3-1	S43657XXX	1	F-GROUP ASSY, ROUND-1J2	
3-2	S46702000	1	SENSOR HARNESS, B RETRACTABLE	
3-3	S43273000	1	3.5 MEDIA, 2HD	
3-4	S09989000	4	FLOPPY CASE	
3-5	S42658000	1	INDEX LABEL, 3.5FD	
4	S47649XXX	1	F-GROUP SUPPLY ASSY, 761 SQ-J2	
4-1	S43659XXX	1	F-GROUP ASSY, SQUARE-J2	
4-2	S46702000	1	SENSOR HARNESS, B RETRACTABLE	
4-3	S43273000	1	3.5 MEDIA, 2HD	
4-4	S09989000	4	FLOPPY CASE	
4-5	S42658000	1	INDEX LABEL, 3.5FD	
5	S47650XXX	1	F-GROUP SUPPLY ASSY, 761 R-2J2	
5-1	S38942XXX	1	F-GROUP ASSY, ROUND-2J2	
5-2	S46702000	1	SENSOR HARNESS, B RETRACTABLE	
5-3	S43273000	1	3.5 MEDIA, 2HD	
5-4	S09989000	4	FLOPPY CASE	
5-5	S42658000	1	INDEX LABEL, 3.5FD	
6	S48386XXX	1	F-GROUP SUPPLY ASSY, 761 TR-J2	
6-1	S37506XXX	1	F-GROUP ASSY, TRIANGLE-J2	
6-2	S12111001	3	SLIT, C	
6-3	S12112001	3	SLIT, D	
6-4	062300502	6	SCREW, PAN M3X5	
6-5	028030242	6	WASHER, SPRING 2-3	
6-6	S46702000	1	SENSOR HARNESS, B RETRACTABLE	
7	S48387XXX	1	F-GROUP SUPPLY ASSY, 761 MI-J2	
7-1	S38961XXX	1	F-GROUP ASSY, MITER-J2	
7-2	S12111001	3	SLIT, C	
7-3	S12112001	3	SLIT, D	
7-4	062300502	6	SCREW, PAN M3X5	
7-5	028030242	6	WASHER, SPRING 2-3	
7-6	S46702000	1	SENSOR HARNESS, B RETRACTABLE	
8	S48388XXX	1	F-GROUP SUPPLY ASSY, 761 R-1J2	
8-1	S37480XXX	1	F-GROUP ASSY, ROUND-1J2	
8-2	S12111001	3	SLIT, C	

AD1 . 付属装置関係 (オプション部品)

AD1 . Attachment set (Option parts)

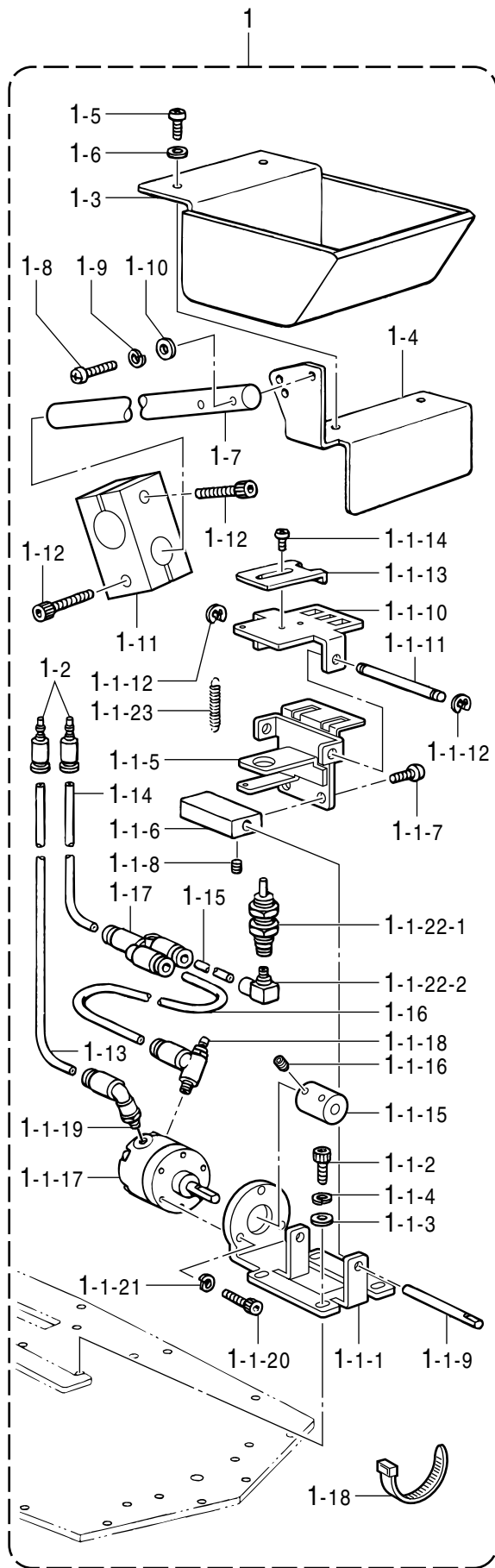


AD1.Attachment set (Option parts)

REF.NO.	CODE	QTY	NAME OF PARTS	RM
8-3	S12112001	3	SLIT, D	
8-4	062300502	6	SCREW, PAN M3X5	
8-5	028030242	6	WASHER, SPRING 2-3	
8-6	S46702000	1	SENSOR HARNESS, B RETRACTABLE	
9	S48389XXX	1	F-GROUP SUPPLY ASSY, 761 SQ-J2	
9-1	S38970XXX	1	F-GROUP ASSY, SQUARE-J2	
9-2	S12111001	3	SLIT, C	
9-3	S12112001	3	SLIT, D	
9-4	062300502	6	SCREW, PAN M3X5	
9-5	028030242	6	WASHER, SPRING 2-3	
9-6	S46702000	1	SENSOR HARNESS, B RETRACTABLE	
10	S48390XXX	1	F-GROUP SUPPLY ASSY, 761 R-2J2	
10-1	S38979XXX	1	F-GROUP ASSY, ROUND-2J2	
10-2	S12111001	3	SLIT, C	
10-3	S12112001	3	SLIT, D	
10-4	062300502	6	SCREW, PAN M3X5	
10-5	028030242	6	WASHER, SPRING 2-3	
10-6	S46702000	1	SENSOR HARNESS, B RETRACTABLE	

AD2 . 付属装置関係 (オプション部品)

AD2 . Attachment set (Option parts)

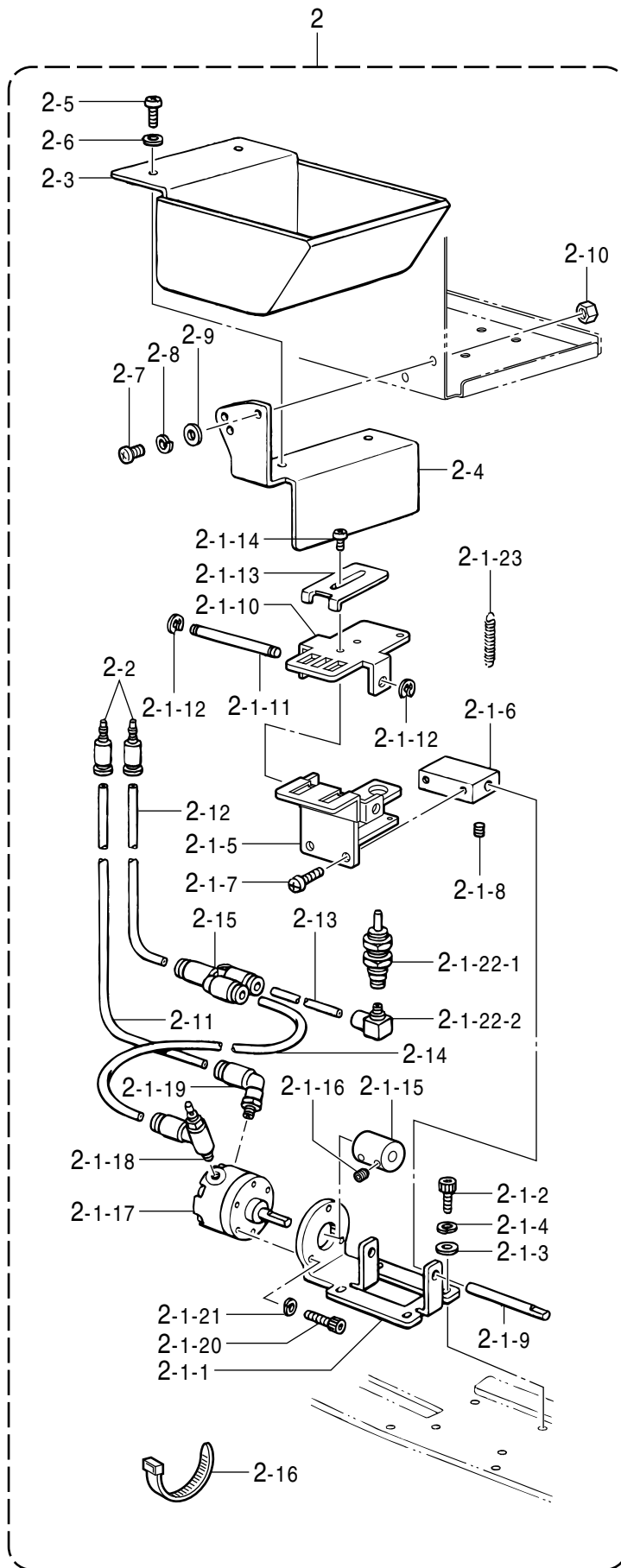


AD2. Attachment set (Option parts)

REF.NO.	CODE	QTY	NAME OF PARTS	RM
			<Attaching the label for right-hand>	
1	S25025201	1	LABELING DEVICE, A	
1-1	S25026201	1	LABELING ASSY	
1-1-1	S25027001	1	SUPPORT PLATE	
1-1-2	018400832	2	BOLT, SOCKET M4X8	
1-1-3	025040232	2	WASHER, PLAIN M 4	
1-1-4	028040242	2	WASHER, SPRING 2-4	
1-1-5	S25028101	1	LABEL BRACKET	
1-1-6	S25029001	1	SHAFT SUPPORT	
1-1-7	060400816	2	SCREW, BIND M4X8	
1-1-8	014400522	2	SET SCREW, SOCKET (CP) M4X5	
1-1-9	S25030001	1	SHAFT, B	
1-1-10	S25031101	1	CLAMP, LABEL	
1-1-11	S25032001	1	SHAFT, A	
1-1-12	048040342	2	RETAINING RING, E4	
1-1-13	S25033001	1	LABEL POSITIONAL	
1-1-14	060300414	2	SCREW, BIND M3X4	
1-1-15	S41259001	1	SET SCREW COLLAR	
1-1-16	014400522	4	SET SCREW, SOCKET (CP) M4X5	
1-1-17	S25036000	1	ROTARY CYLINDER	
1-1-18	S15567000	1	SPEED CONTROLLER, OUT	
1-1-19	S11426000	1	ELBOW UNION, 4M5	
1-1-20	018301222	3	BOLT, SOCKET M3X12	
1-1-21	028030242	3	WASHER, SPRING 2-3	
1-1-22	S25037000	1	PIN CYLINDER ASSY	
1-1-22-1	S25038000	1	PIN CYLINDER	
1-1-22-2	S12150000	1	TUBE ELBOW, M-5HL-4	
1-1-23	118352001	1	SPRING, EXTENSION	
1-2	S25040000	2	PLUG	
1-3	S25044000	1	LABEL BOX	
1-4	S25045001	1	LABEL BOX BASE	
1-5	062400806	2	SCREW, PAN M4X8	
1-6	025040233	2	WASHER, PLAIN M 4	
1-7	S25046001	1	SETTING BAR	
1-8	062401616	2	SCREW, PAN M4X16	
1-9	028040243	2	WASHER, SPRING 2-4	
1-10	025040233	2	WASHER, PLAIN M 4	
1-11	S24956001	1	SUPPORT, SETTING BAR	
1-12	018502022	2	BOLT, SOCKET M5X20	
1-13	S12180000	1	AIR TUBE, 4X2.5-4 L=260	
1-14	S12179000	1	AIR TUBE, 4X2.5-3 L=190	
1-15	S12178000	1	AIR TUBE, 4X2.5-2 L=130	
1-16	S25050000	1	AIR TUBE, 4X2.5-36 L=75	
1-17	S12104000	1	UNION, Y4	
1-18	S04159000	1	BAND, 1M	

AD3 . 付属装置関係 (オプション部品)

AD3 . Attachment set (Option parts)

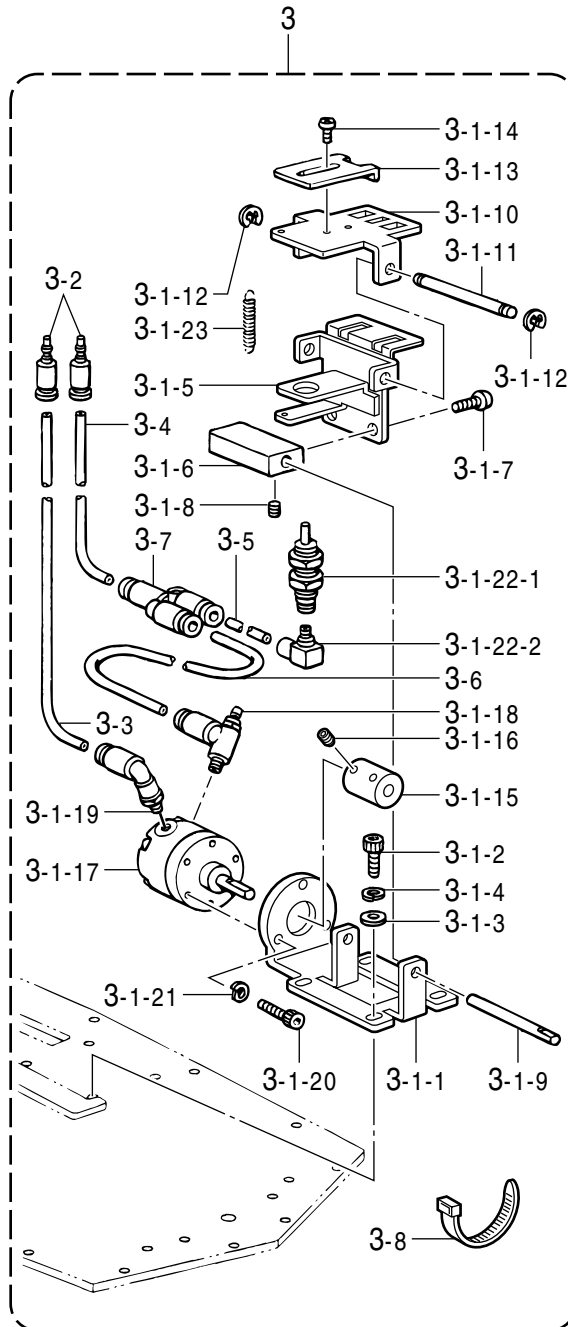


AD3. Attachment set (Option parts)

REF.NO.	CODE	QTY	NAME OF PARTS	RM
			<Attaching the label for left-hand>	
2	S25047201	1	LABELING DEVICE, B	
2-1	S25026201	1	LABELING ASSY	
2-1-1	S25027001	1	SUPPORT PLATE	
2-1-2	018400832	2	BOLT, SOCKET M4X8	
2-1-3	025040232	2	WASHER, PLAIN M 4	
2-1-4	028040242	2	WASHER, SPRING 2-4	
2-1-5	S25028101	1	LABEL BRACKET	
2-1-6	S25029001	1	SHAFT SUPPORT	
2-1-7	060400816	2	SCREW, BIND M4X8	
2-1-8	014400522	2	SET SCREW, SOCKET (CP) M4X5	
2-1-9	S25030001	1	SHAFT, B	
2-1-10	S25031101	1	CLAMP, LABEL	
2-1-11	S25032001	1	SHAFT, A	
2-1-12	048040342	2	RETAINING RING, E4	
2-1-13	S25033001	1	LABEL POSITIONAL	
2-1-14	060300414	2	SCREW, BIND M3X4	
2-1-15	S41259001	1	SET SCREW COLLAR	
2-1-16	014400522	4	SET SCREW, SOCKET (CP) M4X5	
2-1-17	S25036000	1	ROTARY CYLINDER	
2-1-18	S15567000	1	SPEED CONTROLLER, OUT	
2-1-19	S11426000	1	ELBOW UNION, 4M5	
2-1-20	018301222	3	BOLT, SOCKET M3X12	
2-1-21	028030242	3	WASHER, SPRING 2-3	
2-1-22	S25037000	1	PIN CYLINDER ASSY	
2-1-22-1	S25038000	1	PIN CYLINDER	
2-1-22-2	S12150000	1	TUBE ELBOW, M-5HL-4	
2-1-23	118352001	1	SPRING, EXTENSION	
2-2	S25040000	2	PLUG	
2-3	S25044000	1	LABEL BOX	
2-4	S25045001	1	LABEL BOX BASE	
2-5	062400806	2	SCREW, PAN M4X8	
2-6	025040233	2	WASHER, PLAIN M 4	
2-7	062400806	2	SCREW, PAN M4X8	
2-8	028040243	2	WASHER, SPRING 2-4	
2-9	025040233	2	WASHER, PLAIN M 4	
2-10	021400206	2	NUT, 2 M4	
2-11	S12180000	1	AIR TUBE, 4X2.5-4 L=260	
2-12	S12179000	1	AIR TUBE, 4X2.5-3 L=190	
2-13	S12178000	1	AIR TUBE, 4X2.5-2 L=130	
2-14	S25050000	1	AIR TUBE, 4X2.5-36 L=75	
2-15	S12104000	1	UNION, Y4	
2-16	S04159000	1	BAND, 1M	

AD4 . 付属装置関係 (オプション部品)

AD4 . Attachment set (Option parts)

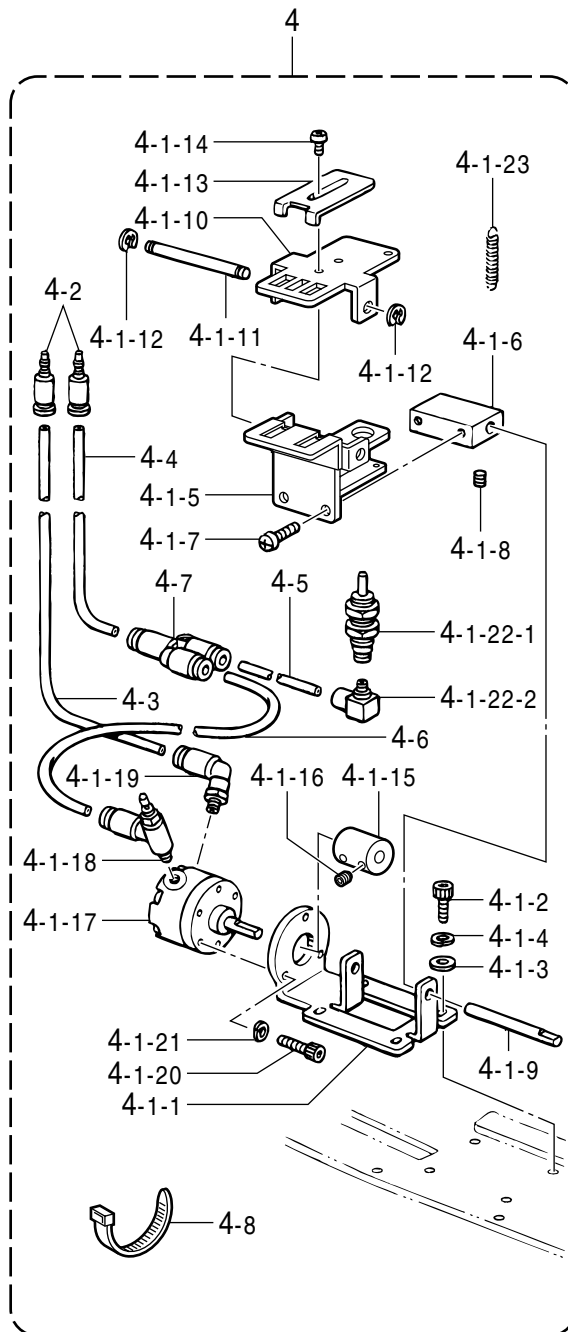


AD4. Attachment set (Option parts)

REF.NO.	CODE	QTY	NAME OF PARTS	RM
			<Attaching the label for right-hand>	
3	S31971201	1	LABELING ASSY, A	
3-1	S25026201	1	LABELING ASSY	
3-1-1	S25027001	1	SUPPORT PLATE	
3-1-2	018400832	2	BOLT, SOCKET M4X8	
3-1-3	025040232	2	WASHER, PLAIN M 4	
3-1-4	028040242	2	WASHER, SPRING 2-4	
3-1-5	S25028101	1	LABEL BRACKET	
3-1-6	S25029001	1	SHAFT SUPPORT	
3-1-7	060400816	2	SCREW, BIND M4X8	
3-1-8	014400522	2	SET SCREW, SOCKET (CP) M4X5	
3-1-9	S25030001	1	SHAFT, B	
3-1-10	S25031101	1	CLAMP, LABEL	
3-1-11	S25032001	1	SHAFT, A	
3-1-12	048040342	2	RETAINING RING, E4	
3-1-13	S25033001	1	LABEL POSITIONAL	
3-1-14	060300414	2	SCREW, BIND M3X4	
3-1-15	S41259001	1	SET SCREW COLLAR	
3-1-16	014400522	4	SET SCREW, SOCKET (CP) M4X5	
3-1-17	S25036000	1	ROTARY CYLINDER	
3-1-18	S15567000	1	SPEED CONTROLLER, OUT	
3-1-19	S11426000	1	ELBOW UNION, 4M5	
3-1-20	018301222	3	BOLT, SOCKET M3X12	
3-1-21	028030242	3	WASHER, SPRING 2-3	
3-1-22	S25037000	1	PIN CYLINDER ASSY	
3-1-22-1	S25038000	1	PIN CYLINDER	
3-1-22-2	S12150000	1	TUBE ELBOW, M-5HL-4	
3-1-23	118352001	1	SPRING, EXTENSION	
3-2	S25040000	2	PLUG	
3-3	S12180000	1	AIR TUBE, 4X2.5-4 L=260	
3-4	S12179000	1	AIR TUBE, 4X2.5-3 L=190	
3-5	S12178000	1	AIR TUBE, 4X2.5-2 L=130	
3-6	S25050000	1	AIR TUBE, 4X2.5-36 L=75	
3-7	S12104000	1	UNION, Y4	
3-8	S04159000	1	BAND, 1M	

AD5 . 付属装置関係 (オプション部品)

AD5 . Attachment set (Option parts)

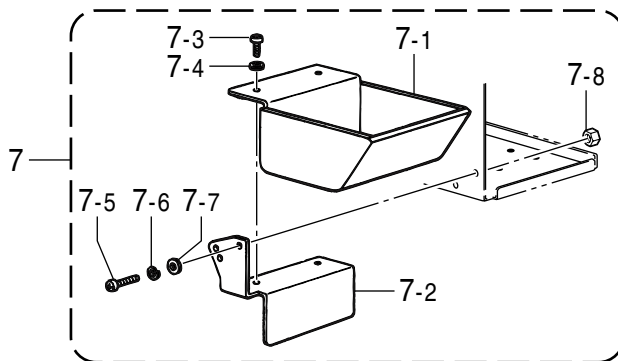
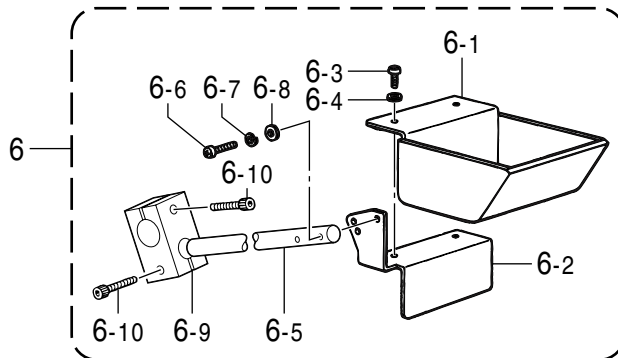
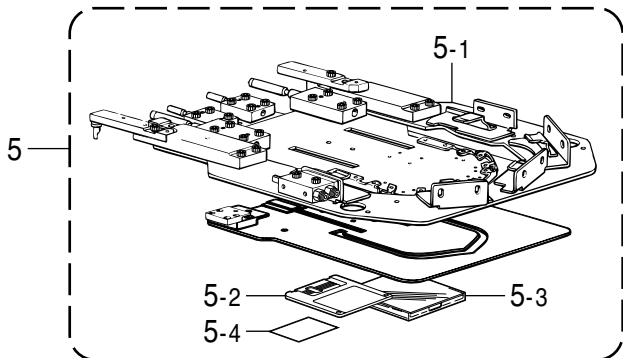
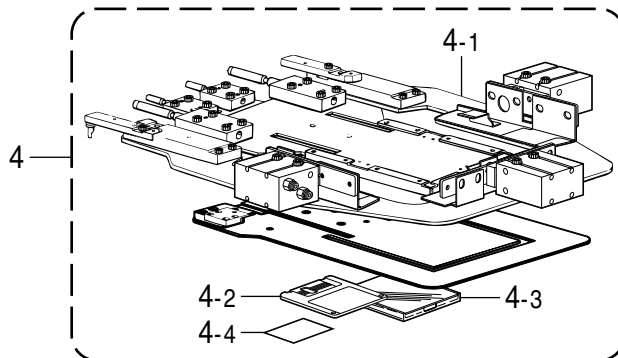
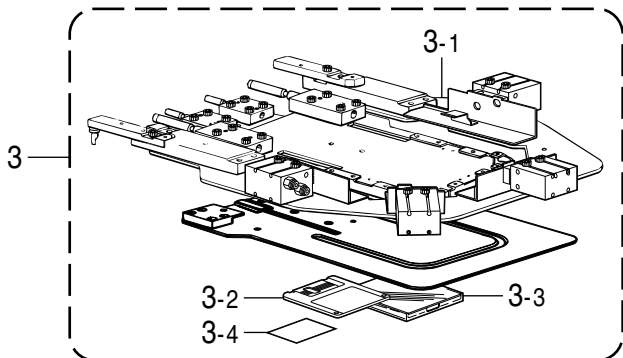
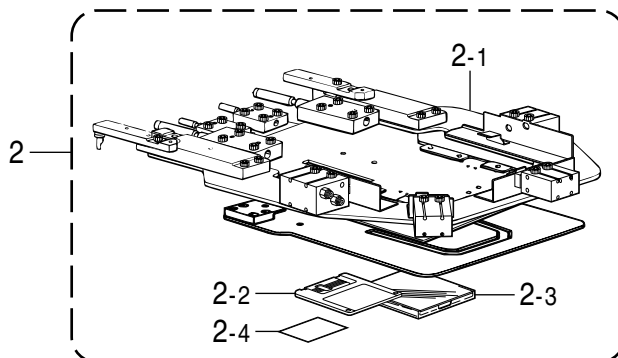
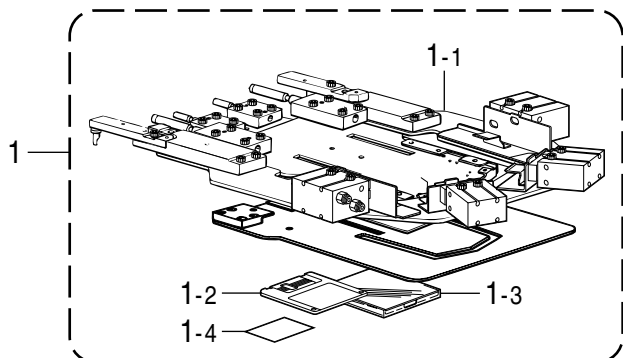


AD5. Attachment set (Option parts)

REF.NO.	CODE	QTY	NAME OF PARTS	RM
			<Attaching the label for left-hand>	
4	S31972201	1	LABELING ASSY, B	
4-1	S25026201	1	LABELING ASSY	
4-1-1	S25027001	1	SUPPORT PLATE	
4-1-2	018400832	2	BOLT, SOCKET M4X8	
4-1-3	025040232	2	WASHER, PLAIN M 4	
4-1-4	028040242	2	WASHER, SPRING 2-4	
4-1-5	S25028101	1	LABEL BRACKET	
4-1-6	S25029001	1	SHAFT SUPPORT	
4-1-7	060400816	2	SCREW, BIND M4X8	
4-1-8	014400522	2	SET SCREW, SOCKET (CP) M4X5	
4-1-9	S25030001	1	SHAFT, B	
4-1-10	S25031101	1	CLAMP, LABEL	
4-1-11	S25032001	1	SHAFT, A	
4-1-12	048040342	2	RETAINING RING, E4	
4-1-13	S25033001	1	LABEL POSITIONAL	
4-1-14	060300414	2	SCREW, BIND M3X4	
4-1-15	S41259001	1	SET SCREW COLLAR	
4-1-16	014400522	4	SET SCREW, SOCKET (CP) M4X5	
4-1-17	S25036000	1	ROTARY CYLINDER	
4-1-18	S15567000	1	SPEED CONTROLLER, OUT	
4-1-19	S11426000	1	ELBOW UNION, 4M5	
4-1-20	018301222	3	BOLT, SOCKET M3X12	
4-1-21	028030242	3	WASHER, SPRING 2-3	
4-1-22	S25037000	1	PIN CYLINDER ASSY	
4-1-22-1	S25038000	1	PIN CYLINDER	
4-1-22-2	S12150000	1	TUBE ELBOW, M-5HL-4	
4-1-23	118352001	1	SPRING, EXTENSION	
4-2	S25040000	2	PLUG	
4-3	S12180000	1	AIR TUBE, 4X2.5-4 L=260	
4-4	S12179000	1	AIR TUBE, 4X2.5-3 L=190	
4-5	S12178000	1	AIR TUBE, 4X2.5-2 L=130	
4-6	S25050000	1	AIR TUBE, 4X2.5-36 L=75	
4-7	S12104000	1	UNION, Y4	
4-8	S04159000	1	BAND, 1M	

AD6 . 付属装置関係 (オプション部品)

AD6 . Attachment set (Option parts)

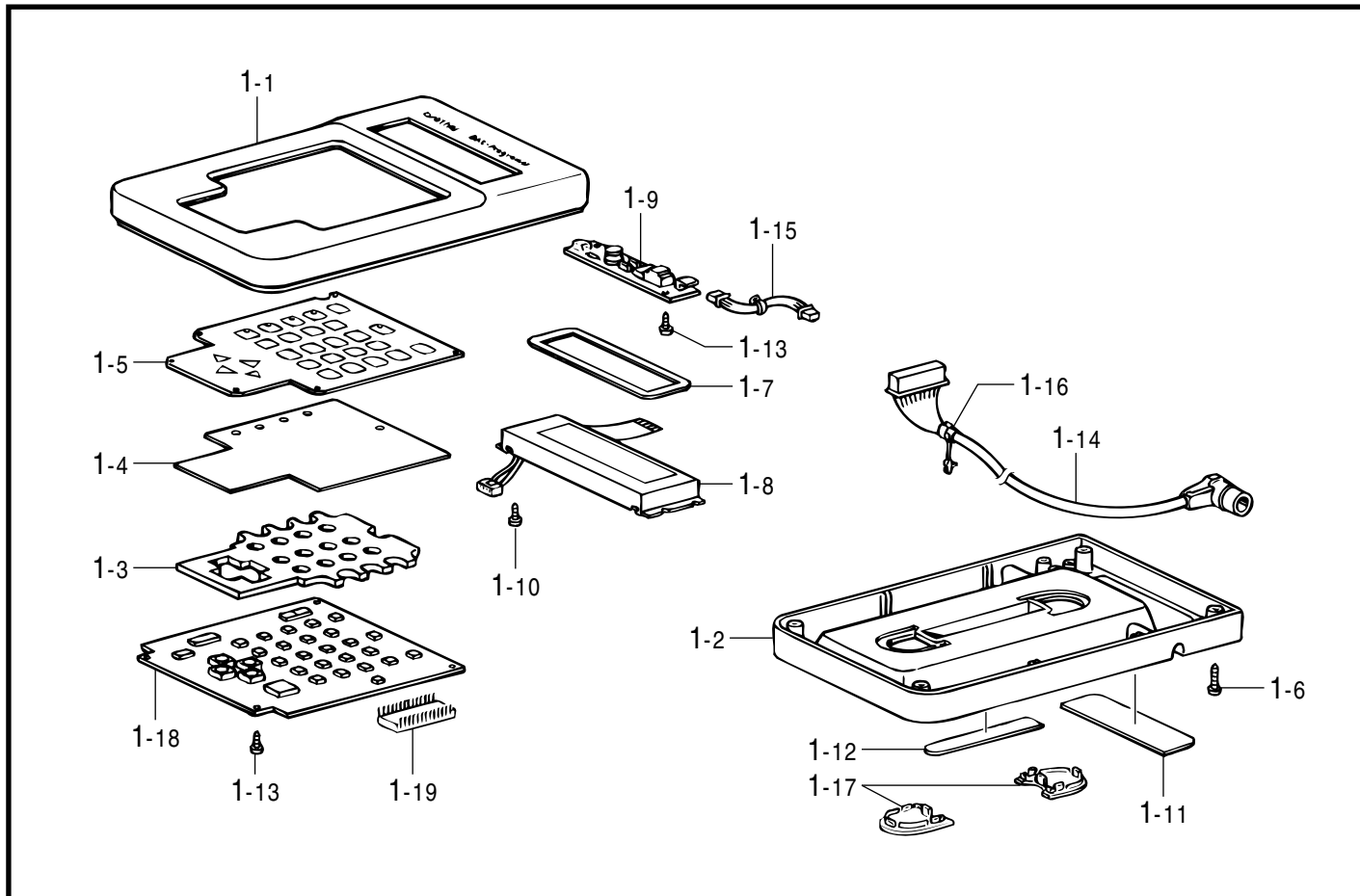


AD6.Attachment set (Option parts)

REF.NO.	CODE	QTY	NAME OF PARTS	RM
1	S47641XXX	1	F-GROUP SUPPLY ASSY, 761 TRI-J	
1-1	S43645XXX	1	F-GROUP ASSY, TRIANGLE-J	
1-2	S43273000	1	3.5 MEDIA, 2HD	
1-3	S09989000	1	FLOPPY CASE	
1-4	S42658000	1	INDEX LABEL, 3.5FD	
2	S47642XXX	1	F-GROUP SUPPLY ASSY, 761 MIT-J	
2-1	S43647XXX	1	F-GROUP ASSY, MITER-J	
2-2	S43273000	1	3.5 MEDIA, 2HD	
2-3	S09989000	1	FLOPPY CASE	
2-4	S42658000	1	INDEX LABEL, 3.5FD	
3	S47643XXX	1	F-GROUP SUPPLY ASSY, 761 RO-1J	
3-1	S43649XXX	1	F-GROUP ASSY, ROUND-1J	
3-2	S43273000	1	3.5 MEDIA, 2HD	
3-3	S09989000	1	FLOPPY CASE	
3-4	S42658000	1	INDEX LABEL, 3.5FD	
4	S47644XXX	1	F-GROUP SUPPLY ASSY, 761 SQU-J	
4-1	S43651XXX	1	F-GROUP ASSY, SQUARE-J	
4-2	S43273000	1	3.5 MEDIA, 2HD	
4-3	S09989000	1	FLOPPY CASE	
4-4	S42658000	1	INDEX LABEL, 3.5FD	
5	S47645XXX	1	F-GROUP SUPPLY ASSY, 761 RO-2J	
5-1	S24833XXX	1	F-GROUP ASSY, ROUND-2J	
5-2	S43273000	1	3.5 MEDIA, 2HD	
5-3	S09989000	1	FLOPPY CASE	
5-4	S42658000	1	INDEX LABEL, 3.5FD	
6	S48661001	1	<Attaching the label for right-hand> LABEL BOX ASSY, A	
6-1	S25044000	1	LABEL BOX	
6-2	S25045001	1	LABEL BOX BASE	
6-3	062400806	2	SCREW, PAN M4X8	
6-4	025040233	2	WASHER, PLAIN M 4	
6-5	S25046001	1	SETTING BAR	
6-6	062401616	2	SCREW, PAN M4X16	
6-7	028040243	2	WASHER, SPRING 2-4	
6-8	025040233	2	WASHER, PLAIN M 4	
6-9	S24956001	1	SUPPORT, SETTING BAR	
6-10	018502022	2	BOLT, SOCKET M5X20	
7	S48654001	1	<Attaching the label for left-hand> LABEL BOX ASSY, B	
7-1	S25044000	1	LABEL BOX	
7-2	S25045001	1	LABEL BOX BASE	
7-3	062400806	2	SCREW, PAN M4X8	
7-4	025040233	2	WASHER, PLAIN M 4	
7-5	062401006	2	SCREW, PAN M4X10	
7-6	028040246	2	WASHER, SPRING 2-4	
7-7	025040236	2	WASHER, PLAIN M 4	
7-8	021400206	2	NUT, 2 M4	

AE . プログラマー関係

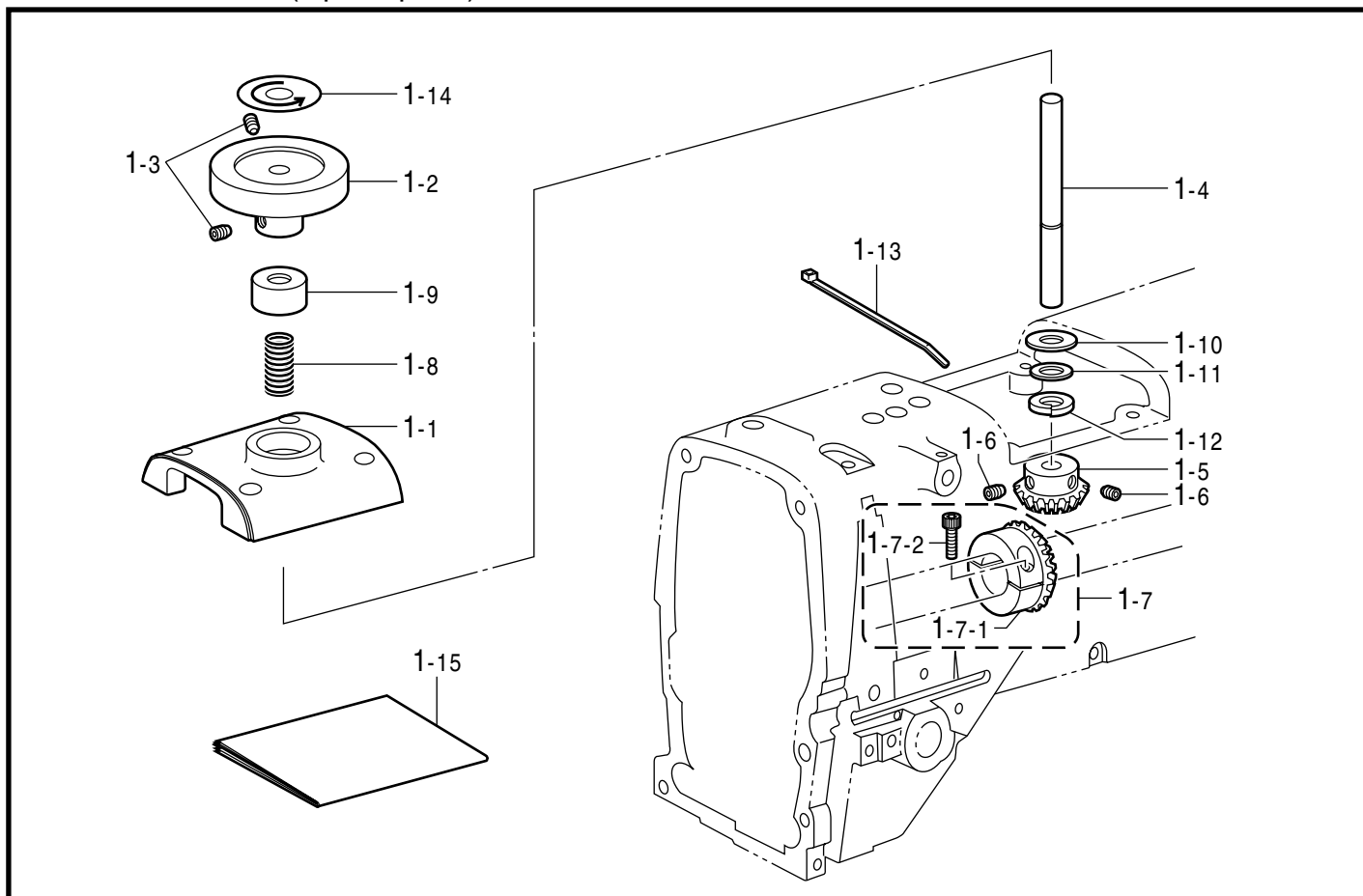
AE . Programmer



151-761-942

AF . 付属アタッチメントセット (オプション部品)

AF . Attachment set (Option parts)



151-761-944

AE. Programmer

REF.NO.	CODE	QTY	NAME OF PARTS	RM
1	S43249001	1	PROGRAMMER ASSY	
1-1	S43250000	1	TOP COVER, PROGRAMMER	
1-2	S43251000	1	LOWER COVER, PROGRAMMER	
1-3	S43252000	1	SPACER, KEYBOARD	
1-4	S43253000	1	RUBBER SHEET, KEYBOARD	
1-5	S43254000	1	KEYBOARD SHEET	
1-6	037301015	4	TAPPING SCREW, PAN V M3X10	
1-7	S43255000	1	LCD COVER	
1-8	S43256000	1	LCD	
1-9	S43257000	1	INVERTER, LCD	
1-10	037200615	4	TAPPING SCREW, PAN V M2X6	
1-11	S43271000	1	MAGNET, A	
1-12	S43272000	1	MAGNET, B	
1-13	037300615	6	TAPPING SCREW, PAN V M3X6	
1-14	S43267000	1	PROGRAMMER HARNESS	
1-15	S43268000	1	INVERTER HARNESS	
1-16	S43270000	1	CORD BUSH, KR51	
1-17	S43981000	2	LOWER COVER, PROGRAMMER	
1-18	S43259001	1	PROGRAMMER PCB ASSY	
1-19	S43269000	1	PROM PROGRAMMER ASSY	

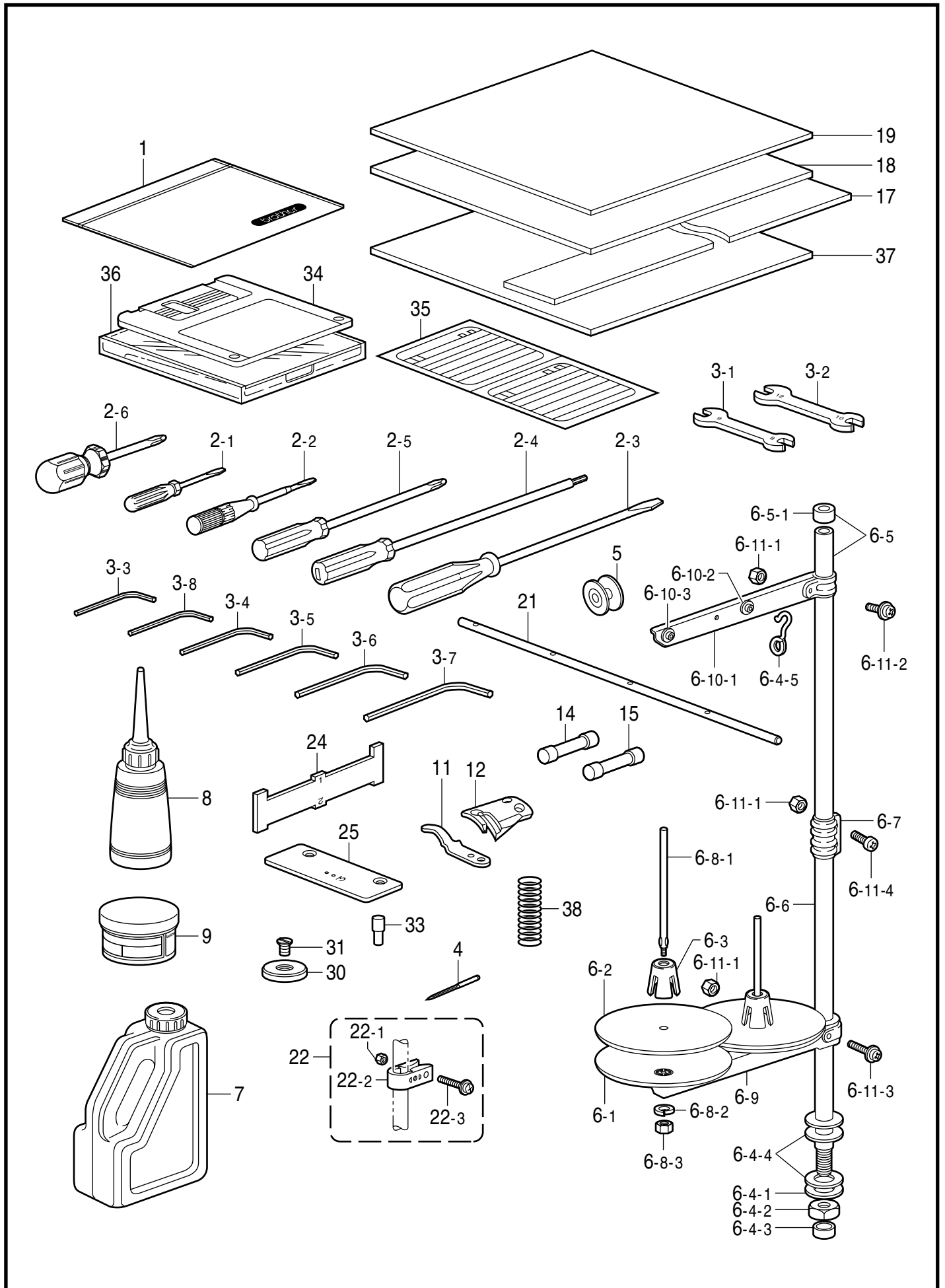
151-761-942

AF. Attachment set (Option parts)

REF.NO.	CODE	QTY	NAME OF PARTS	RM
1	S46271001	1	HAND PULLEY DEVICE	
1-1	S46270001	1	TOP COVER, HP	
1-2	S23839001	1	PULLEY	
1-3	014760622	2	SET SCREW, SOCKET SM5.95	
1-4	S46268001	1	PULLEY SHAFT	
1-5	S16709001	1	BEVEL GEAR, M1-30	
1-6	S23651001	2	SET SCREW, SOCKET (FT) M6X6	
1-7	S46274001	1	BEVEL GEAR ASSY	
1-7-1	S46275001	1	BEVEL GEAR, M1-40	
1-7-2	018501636	2	BOLT, SOCKET M5X16	
1-8	140651001	1	SPRING, COMPRESSION	
1-9	S24593001	1	CAP, SPRING	
1-10	025080236	1	WASHER, PLAIN M 8	
1-11	154596000	1	CUSHION	
1-12	048060342	1	RETAINING RING, E6	
1-13	S04159000	2	BAND, 1M	
1-14	S48392001	1	MARK, ARROW	
1-15	S93761011	1	INSTRUCTION MANUAL, HP	

151-761-944

Z. 付属品関係
 Z. Accessories



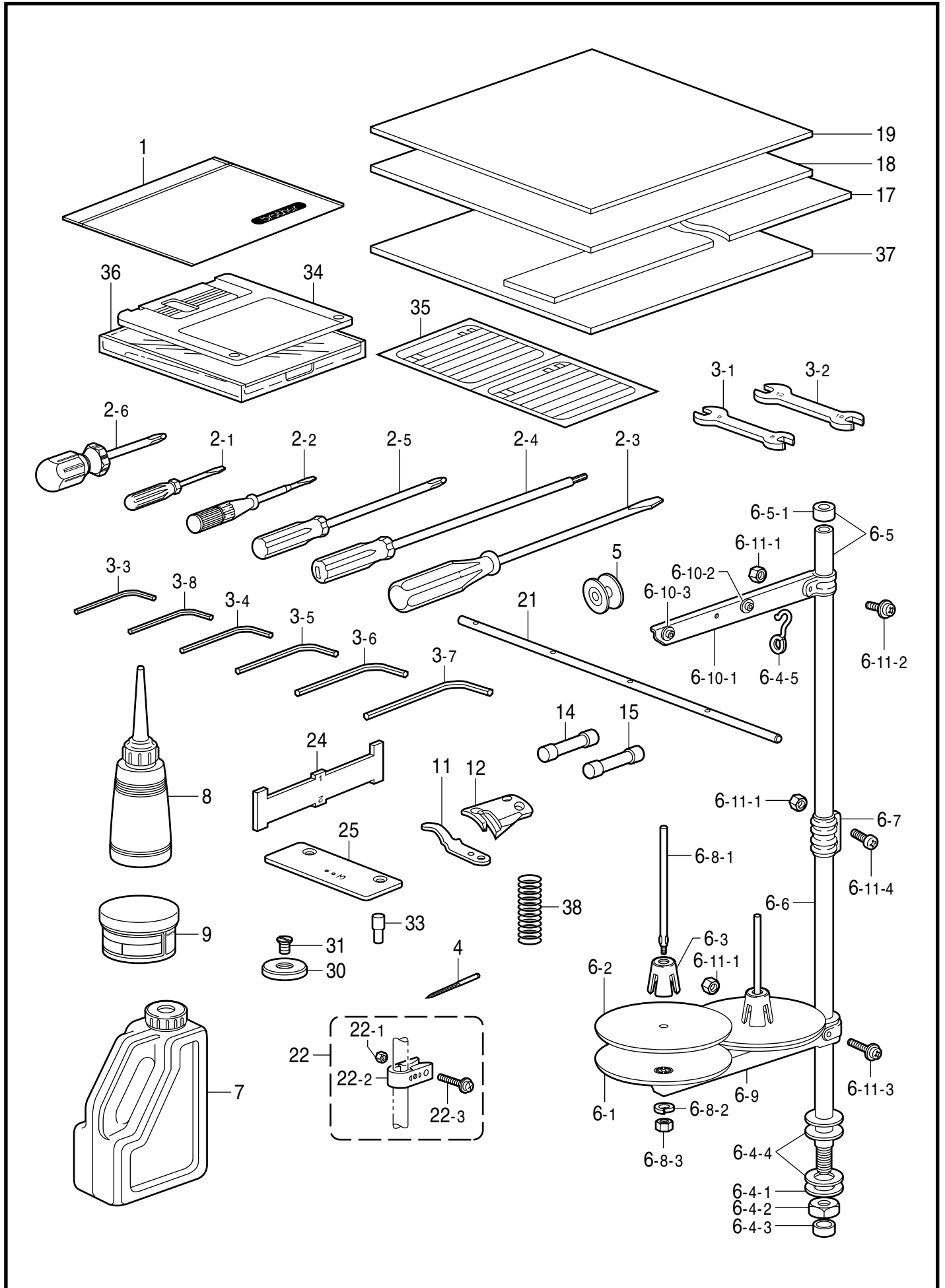
Z. Accessories

REF.NO.	CODE	QTY	NAME OF PARTS	RM
1	122991001	1	ACCESSORY BAG	
2-1	142443001	1	SCREW DRIVER, 1.9X52	
2-2	118837001	1	SCREW DRIVER, 3.4X70	
2-3	101572101	1	SCREW DRIVER, 5.5X190	
2-4	149173001	1	SCREW DRIVER, HEXAGONAL 3	
2-5	150332001	1	SCREW, DRIVER, 2X100	
2-6	S46264000	1	SCREW DRIVER, STUBBIES 2X38	
3-1	100887001	1	WRENCH, 8X9	
3-2	107780001	1	WRENCH, 10X12	
3-3	146049001	1	HEXAGONAL WRENCH, 2	
3-4	142721001	1	HEXAGONAL WRENCH, 3	
3-5	118064001	1	HEXAGONAL WRENCH, 4	
3-6	150335001	1	HEXAGONAL WRENCH, 5	
3-7	115157001	1	HEXAGONAL WRENCH, 6	
3-8	154125001	1	HEXAGONAL WRENCH, 2.5	
4	S11864122	1	NEEDLE ASSY, NM140	
5	S45667001	6	BOBBIN, 2.4	
6	S02763302	1	COTTON STAND ASSY, 2DR	
6-1	150180001	2	SPOOL STAND BASE	
6-2	150182000	2	SPOOL MAT	
6-3	126863001	2	SPOOL CUSHION	
6-4	S02777001	1	PIPE (D) SCREW SET, B	
6-4-1	150206002	1	WASHER, PLAIN 16	
6-4-2	S38648001	1	NUT, U5/8-28	
6-4-3	150174000	1	COLUMN CAP	
6-4-4	S01005000	2	RUBBER WASHER	
6-4-5	S02747101	1	SPRING	
6-5	S40640001	1	COLUMN PIPE W/CAP	
6-5-1	150174000	1	COLUMN CAP	
6-6	156112003	1	COLUMN PIPE, D	
6-7	150173003	1	COLUMN JOINT	
6-8	S21798001	2	SPOOL SCREW SET	
6-8-1	150179002	2	SPOOL SHAFT, B	
6-8-2	028050246	2	WASHER, SPRING 2-5	
6-8-3	021500106	2	NUT, 1 M5	
6-9	S02778002	1	SPOOL HOLDER, 2	
6-10	S02786002	1	THREAD HANGER ASSY, 2	
6-10-1	S02787002	1	THREAD HANGER, 2	
6-10-2	150183000	2	THREAD HANGER BASE	
6-10-3	142990001	2	THREAD BUSH	
6-11	S40641001	1	SPOOL SCREW SET, A	
6-11-1	021500106	4	NUT, 1 M5	
6-11-2	S37038001	1	SCREW, PAN (S/P WASHER) M5X14	
6-11-3	S37037001	1	SCREW, PAN (S/P WASHER) M5X32	
6-11-4	062501406	2	SCREW, PAN M5X14	
7	154702101	1	OIL TANK	
8	114483002	1	OILER ASSY	
9	S00966100	1	GREASE TANK, 30	
11	159540001	1	FIXED KNIFE	
12	159799001	1	MOVABLE KNIFE	
14	152565000	3	FUSE, B 5A	
15	152566000	1	FUSE, C 2A	
17	S12298000	1	FORM, 3X15X1000	

151-761-910

The details of included accessories are subject to change.

Z. 付属品関係
 Z. Accessories



Z. Accessories

REF.NO.	CODE	QTY	NAME OF PARTS	RM
18	S12116000	1	SPONGE, 3X200X200	
19	S12117000	1	FORM, 2X200X200	
21	S11959001	1	LOWER THREAD GUIDE	
22	150145009	1	THREAD GUIDE HOLDER ASSY	
22-1	021500106	1	NUT, 1 M5	
22-2	150185009	1	THREAD GUIDE HOLDER	
22-3	S37037001	1	SCREW, PAN (S/P WASHER) M5X32	
24	S24982000	1	GAUGE	
25	S24983000	1	ZIGZAG GAUGE	
30	S11857000	2	NEEDLE PLATE SUPPORT	
31	107272002	2	SCREW, FLAT SM4.37	
33	S24773001	2	POSITIONING PIN	
34	S43273000	1	3.5 MEDIA, 2HD	
35	S42658000	1	INDEX LABEL, 3.5FD	
36	S09989000	1	FLOPPY CASE	
37	S24780000	1	FORM, 3X200X200	
38	S46225001	2	SPRING, S COMPRESSION	

151-761-910

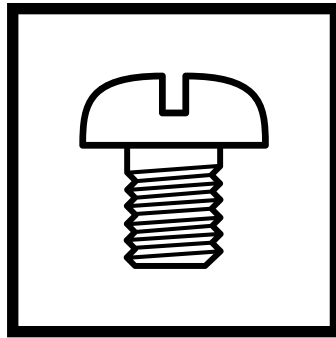
The details of included accessories are subject to change.

Wa. 警告ラベル

Wa. Warning labels

警告ラベル / Warning labels	品名 / Name of Parts	Size (mm)	Code
	電撃ラベル・和	40X64	S38353-101
	Label, elec. shock 4 lang.	35X118	S38352-101
	操作注意ラベル・BAS和	52X84	S38357-002
	Label, operation (BAS) Eng.	52X84	S38571-002
	矢印マーク Label, PE	10X30	S37058-001
	PEマーク Label, PE	7.5X12.5	S37059-001
	アースマーク Mark, grounding	φ 12	S37060-001

brother®



PARTS BOOK

ブラザー工業株式会社
BROTHER INDUSTRIES, LTD.