

Form U3226 (781)
Part No.543233-002

MACHINE PARTS CHART
for

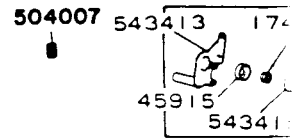
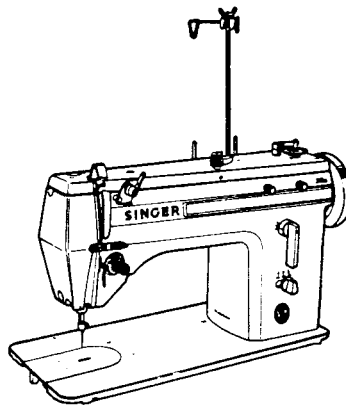
SINGER*

20U42

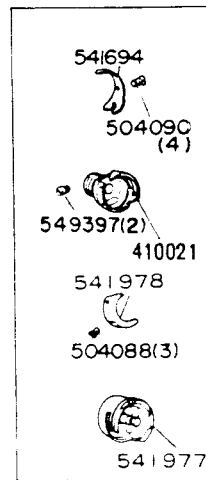
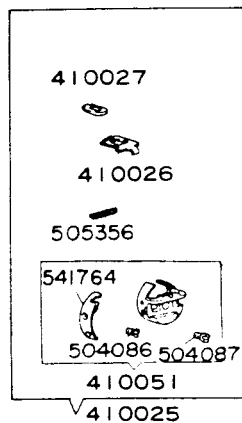
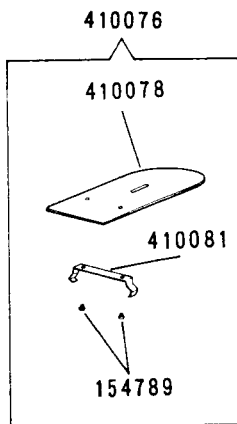
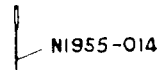
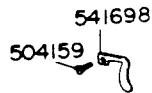
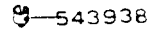
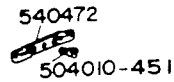
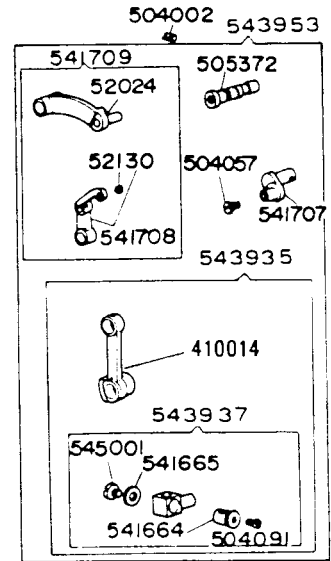
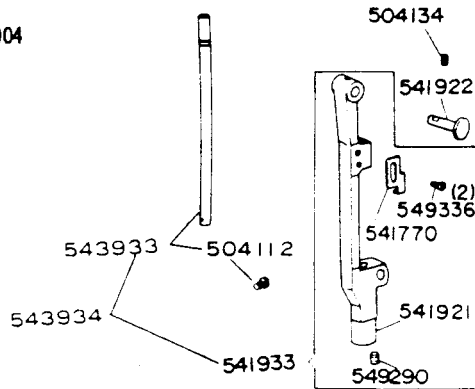
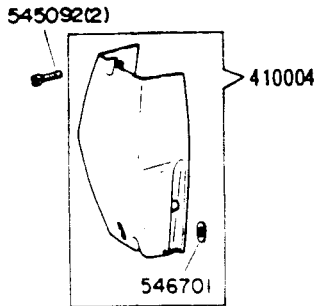
* A Trademark of THE SINGER COMPANY
Copyright © 1981 THE SINGER COMPANY
All Rights Reserved Throughout the World

SINGER*

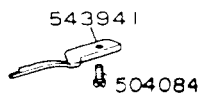
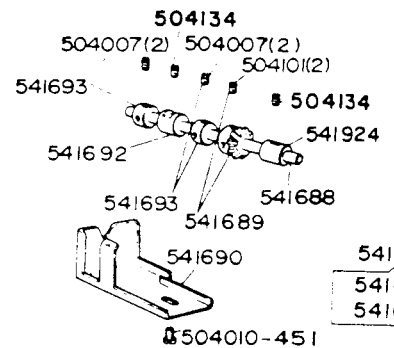
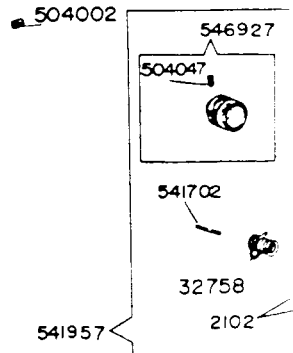
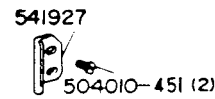
20U 42



504002



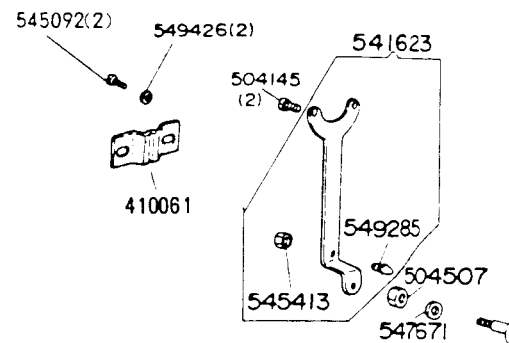
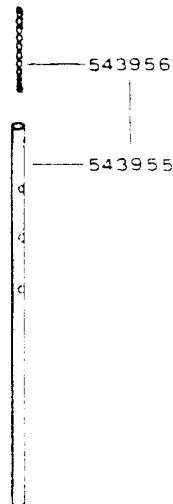
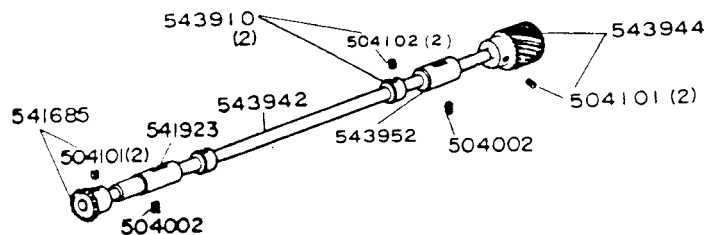
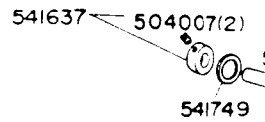
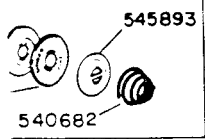
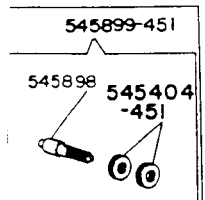
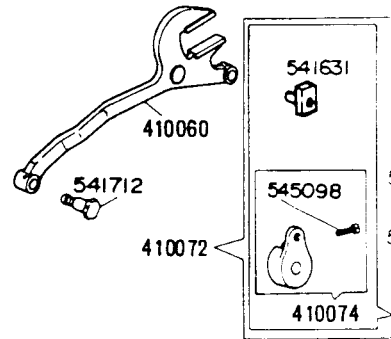
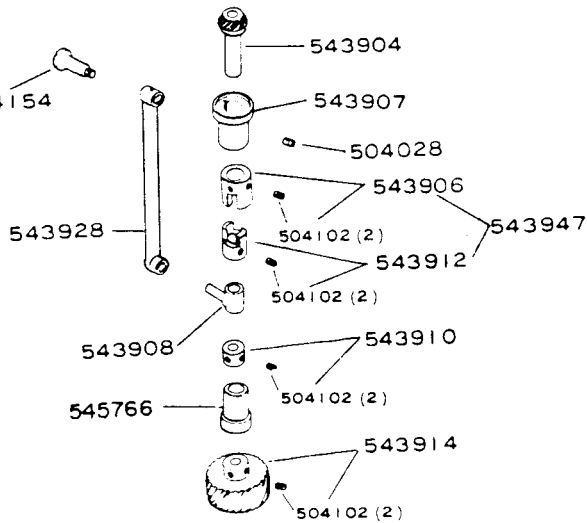
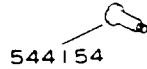
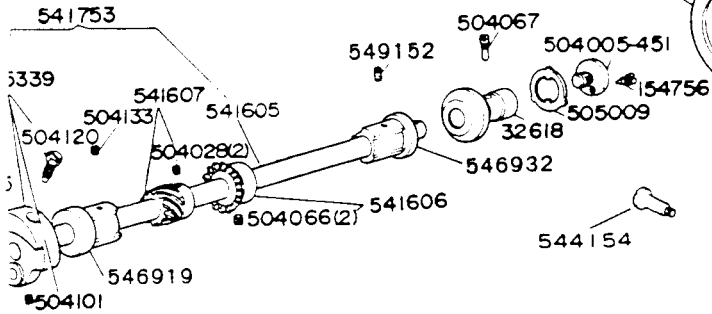
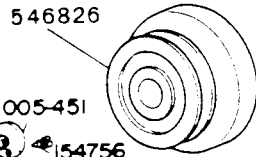
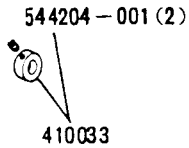
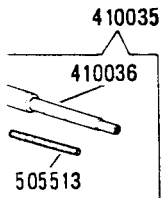
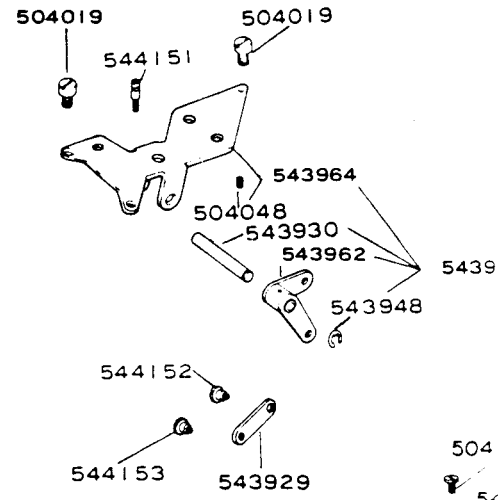
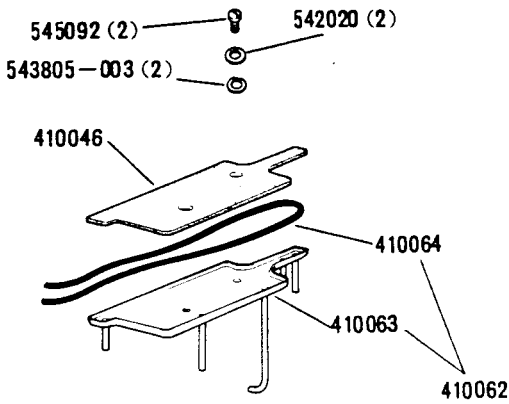
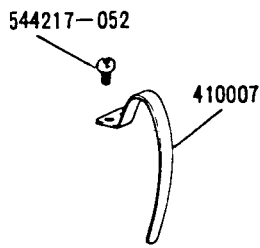
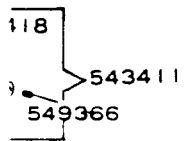
410054



55623



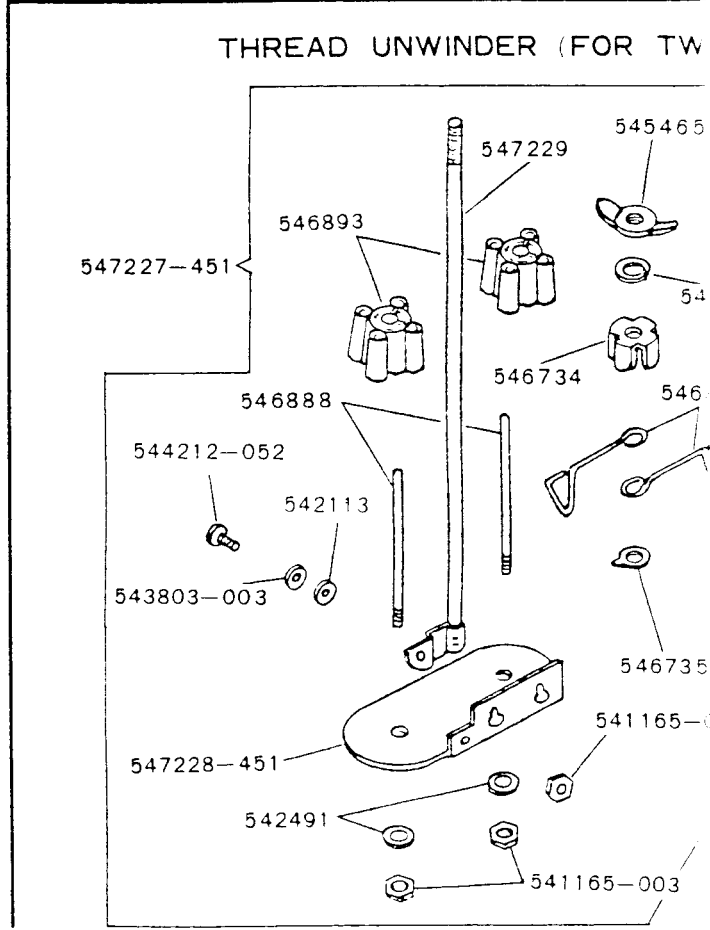
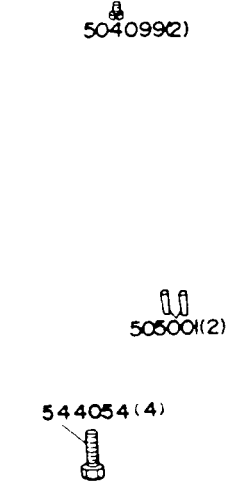
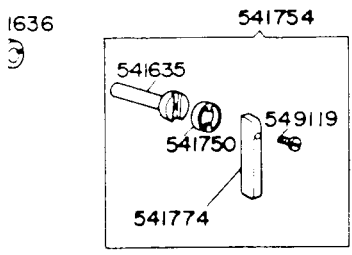
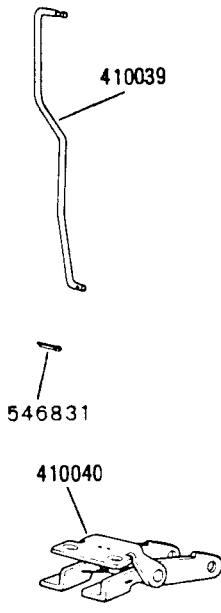
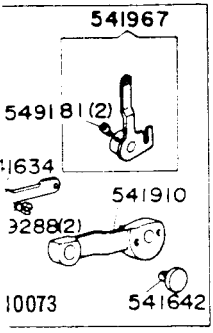
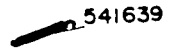
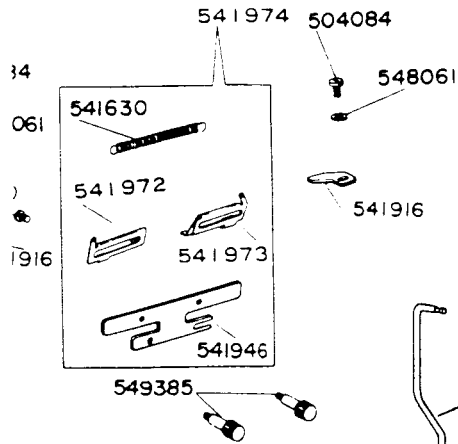
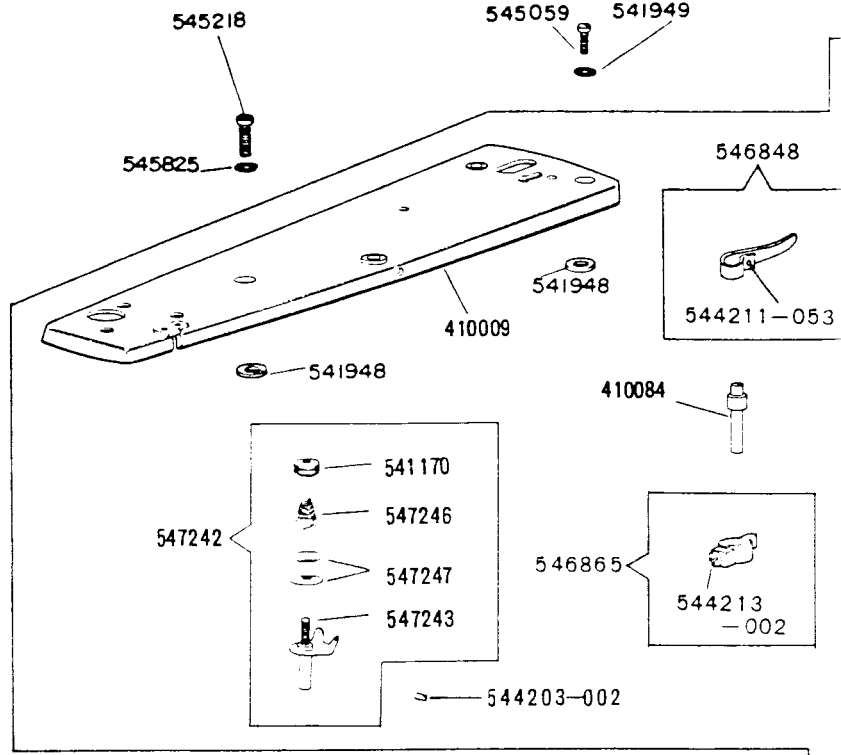
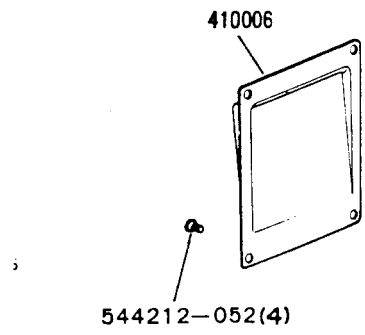
541693
541685
541689



THREAD UNWINDER (FOR TWO SPOOLS)

(Supplied with Machine)

541165-003 Thread Unwinder Thread Guide Holder
Bracket Hinge Screw Nut
541165-003 Thread Unwinder Spool Pin Nut (2)
542113 Thread Unwinder Thread Guide Holder
Bracket Hinge Screw Friction Washer
542491 Thread Unwinder Spool Pin Spring Washer (2)
543131 Thread Unwinder Spool Net (2)
543803-003 Thread Unwinder Thread Guide Holder
Bracket Hinge Screw Washer
544212-052 Thread Unwinder Thread Guide Holder
Bracket Hinge Screw
544212-052 Thread Unwinder Spool Mounting Bracket Screw (2)
545465 Thread Unwinder Thread Guide Lock Nut
546734 Thread Unwinder Thread Guide Position Cup
546735 Thread Unwinder Thread Guide Rod Washer
546740 Thread Unwinder Thread Guide Lock Nut
Spring Washer
546888 Thread Unwinder Spool Pin (2)
546891 Thread Unwinder Thread Guide (2)
546893 Thread Unwinder Spool Holder (2)
546894 Thread Unwinder Spool Cap (2)
547227-451 Thread Unwinder (for two spools) Complete,
Nos. 541165-003, 542113, 543803-003,
544212-052, 545465, 546734, 546735,
546740, 547228-451, 547229, two each
541165-003, 542491, 546888, 546891 and 546893
547228-451 Thread Unwinder Spool Mounting Bracket
547229 Thread Unwinder Thread Guide Holder and
Bracket Complete



NUMERICAL LIST OF PARTS FOR 20U42 M/C

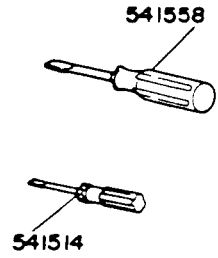
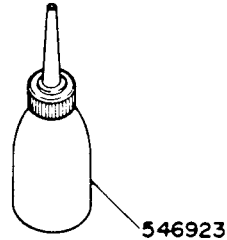
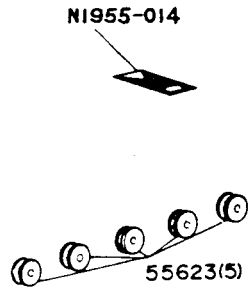
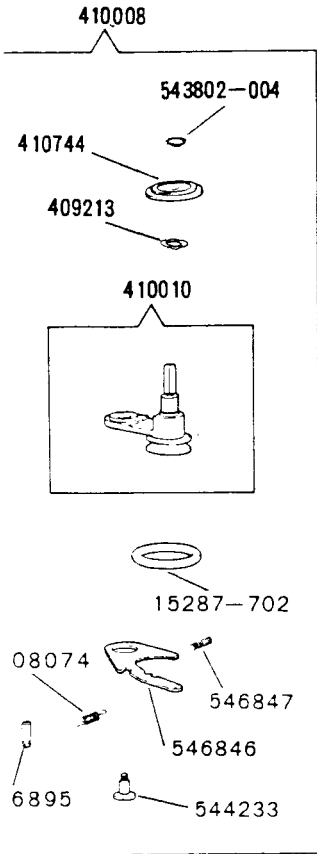
<u>Part No.</u>	<u>Description</u>	<u>Part No.</u>	<u>Description</u>
541750	Bight Amplitude Slide Block Crank Shaft Ring	544203-002	Bobbin Winder Tension Set Screw
541753	Arm Shaft (horizontal) and Needle Bar Crank Complete, Nos. 505339 and 541605	544204-001	Zig-Zag Triangular Cam Shaft Collar Set Screw (2)
541754	Bight Amplitude Slide Block Crank Shaft Knob 541774 with 541635, 541750 and 549119	544211-053	Bobbin Winder Latch Screw
541764	Rotating Hook Bobbin Case Tension Spring	544212-052	Arm Side Cover Set Screw (4)
541770	Needle Bar Timing Indicator Plate	544213-002	Bobbin Winder Regulator Set Screw
541774	Bight Amplitude Slide Block Crank Shaft Knob	544217-052	Thread Take-up Lever Guard Set Screw
541910	Bight and L-C-R Position Lever Arm	544233	Bobbin Winder Bracket Hinge Screw
541916	Bight Amplitude Stop Plate (left) (right) (2)	545001	Needle Bar Connecting Stud Hinge Pin Screw
541921	Needle Bar Frame	545059	Arm Top Cover Screw (back)
541922	Needle Bar Frame Pin	545092	Face Plate Screw (2)
541923	Rotating Hook Drive Shaft Bushing (front)	545092	Oil Reservoir Set Screw (2)
541924	Rotating Hook Shaft Bushing (long)	545098	Bight and L-C-R Position Block Set Screw (2)
541927	Needle Bar Connecting Link Guide	545098	Bight Amplitude Slide Block Guide Stud Set Screw
541933	Needle Bar Frame 541921 with 541770, 549290 and two 549336	545218	Arm Top Cover Screw (front)
541946	Bight Amplitude Regulating Plate Holder	545404-451	Tension Regulating Thumb Nut (2)
541948	Arm Top Cover Cushion (2)	545413	Bight and L-C-R Position Lever Screw Pin Nut
541949	Arm Top Cover Screw (back) O-Ring	545495	Bight and L-C-R Position Lever Arm Regulating Screw Nut (2)
541951	Bight and L-C-R Position Lever Thumb Stud	545766	Arm Shaft (upright) Bushing (lower)
541957	Tension Complete, Nos. 32758, 540682, 541702, 545893, 545899-451, 546927 and two 2102	545825	Arm Top Cover Screw (front) O-Ring
541967	Bight Amplitude Slide Block Crank with two 549181	545893	Tension Releasing Disc
541972	Bight Amplitude Regulating Plate (left)	545898	Tension Stud
541973	Bight Amplitude Regulating Plate (right)	545899-451	Tension Stud 545898 with two 545404-451
541974	Bight Amplitude Regulating Plate Holder and Bight Amplitude Regulating Plate Complete, Nos. 541630, 541946, 541972 and 541973	546701	Face Plate Washer (rubber)
541977	Rotating Hook Bobbin Case Holder	546826	Handwheel
541978	Rotating Hook Section	546831	Bight Amplitude Slide Block Crank Knee Operating Connection Pin
542020	Oil Reservoir Set Screw Washer (2)	546846	Bobbin Winder Bracket Regulating Plate
543411	Pre-Tension Complete, Nos. 45915, 174418, 543413, 543415 and 549366	546847	Bobbin Winder Bracket Spring
543413	Pre-Tension Bracket	546848	Bobbin Winder Latch with 544211-053
543415	Pre-Tension Cap	546865	Bobbin Winder Regulator with 544213-002
543802-004	Bobbin Winder Spindle Guard Retaining Ring	546895	Bobbin Winder Bracket Regulating Plate Spring Stud
543805-003	Oil Reservoir Set Screw Spring Lock Washer (2)	546919	Arm Shaft (horizontal) Flanged Bushing (front)
543904	Arm Shaft (upright) Bevel Gear (upper)	546927	Thread Take-up Spring Regulator with 504047
543906	Arm Shaft (upright) Bevel Gear (upper) Joint with two 504102	546932	Arm Shaft (horizontal) Flanged Bushing (back)
543907	Arm Shaft (upright) Bushing (upper)	546947	Arm Shaft (horizontal) Flanged Bushing (back) Oil Pad (felt)
543908	Arm Shaft (upright) Connecting Stud	547242	Bobbin Winder Tension Complete, Nos. 541170, 547243, 547246 and two 547247
543910	Arm Shaft (upright) Retainer Collar with two 504102	547243	Bobbin Winder Tension Stud Complete
543910	Rotating Hook Drive Shaft Retainer Collar with two 504102 (2)	547246	Bobbin Winder Tension Spring
543912	Arm Shaft (upright) Retainer Joint with two 504102	547247	Bobbin Winder Tension Disc
543914	Arm Shaft (upright) Screw Gear (lower) with two 504102	547671	Bight and L-C-R Position Lever Thumb Stud Nut Spring Washer
543928	Hook Advancing Crank Connecting Rod	548061	Bight Amplitude Stop Plate (left) (right) Washer (2)
543929	Hook Advancing Crank Link	549119	Bight Amplitude Slide Block Crank Shaft Knob Set Screw
543930	Hook Advancing Crank Shaft	549152	Arm Shaft (horizontal) Flanged Bushing (back) Set Screw
543933	Needle Bar (hollow) with 504112	549181	Bight Amplitude Slide Block Crank Set Screw (2)
543934	Needle Bar (hollow) 543933 with 541933	549285	Bight and L-C-R Position Lever Screw Pin
543935	Needle Bar Connecting Link 410014 with 543937	549288	Bight Amplitude Slide Block Crank Link Hinge Screw (2)
543937	Needle Bar Connecting Stud with 504091, 545001, 541664 and 541665	549290	Zig-Zag Stitch Regulator Fork Eccentric Connecting Pin Set Screw
543938	Needle Bar Thread Guard	549336	Needle Bar Timing Indicator Plate Screw (2)
543941	Rotating Hook Bobbin Case Holder Position Bracket	549356	Bight Amplitude Regulating Plate Holder Set Screw (2)
543942	Rotating Hook Drive Shaft	549366	Pre-Tension Cap Screw
543944	Rotating Hook Drive Shaft Screw Gear (back) with two 504101	549385	Bight Amplitude Regulating Plate Thumb Screw (2)
543947	Arm Shaft (upright) Retainer Joint Complete, Nos. 543912 and 543906	549387	Bight and L-C-R Position Lever Arm Regulating Screw (2)
543948	Hook Advancing Crank Shaft Snap Ring	549397	Rotating Hook Set Screw (2)
543952	Rotating Hook Drive Shaft Bushing (back)	549426	Bight and L-C-R Position Block Washer (2)
543953	Thread Take-up Complete, Nos. 504057, 505372, 541707, 541709 and 543935	N1955-014	Needle (size #14) with Pontoon C.A.E.
543955	Arm Shaft (upright) with 543956		
543956	Arm Shaft (upright) Oil Wick		
543962	Hook Advancing Crank		
543964	Hook Advancing Crank Bracket with 504048		
543965	Hook Advancing Crank and Hook Advancing Crank Bracket Complete, Nos. 543930, 543948, 543962 and 543964		
544054	Arm Screw (4)		
544151	Hook Advancing Crank Bracket Screw		
544152	Hook Advancing Crank Link Hinge Screw (back)		
544153	Hook Advancing Crank Link Hinge Screw (front)		
544154	Hook Advancing Crank Connecting Rod Hinge Screw		

ACCESSORIES AND ATTACHMENTS

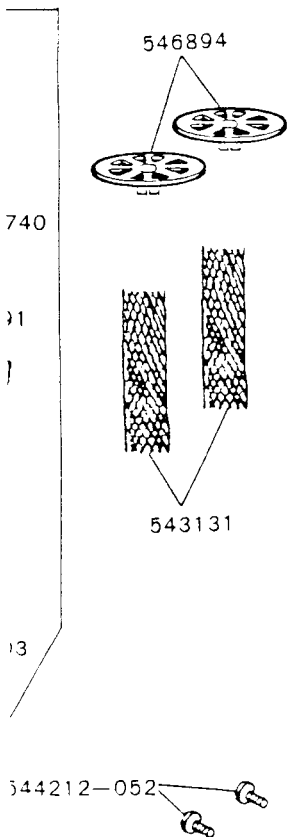
(Supplied with Machine)

55623	Rotating Hook Bobbin (5)
541514	Screw Driver (small)
541558	Screw Driver (large)
546923	Oiler (130 cc, filled with type "B" oil)
N1955-014	Needle (size #14) with Pontoon C.A.E.(3)

ACCESSORIES AND ATTACHMENTS



(SPOOLS)



NUMERICAL LIST OF PARTS FOR 20U42 M/C

<u>Part No.</u>	<u>Description</u>	<u>Part No.</u>	<u>Description</u>
2102	Tension Disc (2)	504028	Arm Shaft (horizontal) Worm Gear
15287-702	Bobbin Winder Friction Ring		Set Screw (2)
32618	Clamp Stop Motion Clamp Flanged Bushing	504028	Arm Shaft (upright) Bushing (upper) Set Screw
32758	Thread Take-up Spring	504047	Tension Stud Set Screw
45915	Pre-Tension Disc	504048	Hook Advancing Crank Shaft Set Screw
52024	Thread Take-up Lever Link	504057	Needle Bar Connecting Link Cap Screw
52130	Thread Take-up Lever Thread Eyelet Bushing	504066	Arm Shaft (horizontal) Bevel Gear Set Screw (2)
55623	Rotating Hook Bobbin	504067	Clamp Stop Motion Clamp Flanged Bushing Set Screw
154756	Clamp Stop Motion Clamp Stop Screw	504084	Bight Amplitude Stop Plate (left) (right) Screw (2)
154789	Throat Plate Spring Screw (2)	504084	Rotating Hook Bobbin Case Holder Position
174418	Pre-Tension Spring		Bracket Screw
408074	Bobbin Winder Bracket Regulating Plate Spring	504086	Rotating Hook Bobbin Case Tension Regulating Screw
409213	Bobbin Winder Spindle Guard Wave Washer	504087	Rotating Hook Bobbin Case Tension Spring Screw
410004	Face Plate with 546701	504088	Rotating Hook Section Screw (3)
410006	Arm Side Cover	504090	Rotating Hook Thread Guard Screw (4)
410007	Thread Take-up Lever Guard	504091	Needle Bar Set Screw
410008	Arm Top Cover Complete, Nos. 15287-702, 408074, 409213, 410009, 410010, 410084, 410744, 543802-004, 544203-002, 544233, 546846, 546847, 546848, 546865, 546895, 547242 and two 541948	504095	Thread Take-up Crank Position Screw
410009	Arm Top Cover	504099	Bell Crank Bracket Screw (2)
410010	Bobbin Winder Bracket Complete	504101	Rotating Hook Drive Shaft Screw Gear (back) Set Screw (2)
410014	Needle Bar Connecting Link	504101	Rotating Hook Drive Shaft Bevel Gear (front) Set Screw (2)
410021	Rotating Hook	504101	Rotating Hook Shaft Bevel Gear Set Screw (2)
410025	Rotating Hook Bobbin Case Complete, Nos. 410026, 410027, 410051 and 505356	504101	Thread Take-up Crank Set Screw
410026	Rotating Hook Bobbin Case Latch	504102	Arm Shaft (upright) Bevel Gear (upper) Joint Set Screw (2)
410027	Rotating Hook Bobbin Case Latch Lever	504102	Arm Shaft (upright) Retainer Collar Set Screw (2)
410033	Zig-Zag Triangular Cam Shaft Collar with two 544204	504102	Rotating Hook Drive Shaft Retainer Collar Set Screw (4)
410035	Zig-Zag Triangular Cam Shaft Complete, Nos. 410036 and 505513	504102	Arm Shaft (upright) Retainer Joint Set Screw (2)
410036	Zig-Zag Triangular Cam Shaft	504102	Arm Shaft (upright) Screw Gear Set Screw (2)
410039	Bight Amplitude Slide Block Crank Knee Operating Connection	504112	Needle Set Screw
410040	Bell Crank Complete	504120	Needle Bar Crank Position Screw
410046	Oil Reservoir Felt	504133	Arm Shaft (horizontal) Flanged Bushing (front) Set Screw
410051	Rotating Hook Bobbin Case with 504086, 504087, and 541764	504134	Needle Bar Frame Pin Set Screw
410054	Rotating Hook and Rotating Hook Bobbin Case Holder Complete, Nos. 410021, 541694, 541977, 541978, two 549397, three 504088, and four 504090	504134	Rotating Hook Shaft Bushing (short) Set Screw
410056	Zig-Zag Triangular Cam Gear and Zig-Zag Triangular Cam Complete	504134	Rotating Hook Shaft Bushing (long) Set Screw
410060	Zig-Zag Stitch Regulator Fork	504145	Bight and L-C-R Position Lever Set Screw (2)
410061	Bight and L-C-R Position Block	504159	Slack Thread Regulator Set Screw
410062	Oil Reservoir 410063 with 410064	504507	Bight and L-C-R Position Lever Thumb Stud Nut
410063	Oil Reservoir	505001	Arm Dowel Pin (2)
410064	Oil Reservoir Oil Wick	505009	Clamp Stop Motion Clamp Washer
410072	Bight Amplitude Slide Block Crank 541967 with 410073, 541634, 541642, 541910 and two 549288	505339	Needle Bar Crank with 504095, 504101 and 504120
410073	Bight Amplitude Slide Block Guide 410074 with 541631	505356	Rotating Hook Bobbin Case Latch Spring
410074	Bight Amplitude Slide Block Guide with 545098	505372	Thread Take-up Lever Link Hinge Pin
410076	Throat Plate Complete, Nos. 410078, 410081 and two 154789	505513	Zig-Zag Triangular Cam Shaft Oil Wick
410078	Throat Plate Body Complete	540472	Thread Guard (upper)
410081	Throat Plate Spring	540682	Tension Spring
410084	Bobbin Winder Latch Stud	541170	Bobbin Winder Tension Nut
410744	Bobbin Winder Spindle Guard	541605	Arm Shaft (horizontal)
504002	Zig-Zag Triangular Cam Shaft Set Screw	541606	Arm Shaft (horizontal) Bevel Gear with two 504066
504002	Rotating Hook Drive Shaft Bushing (back) Set Screw	541607	Arm Shaft (horizontal) Worm Gear with two 504028
504002	Rotating Hook Drive Shaft Bushing (front) Set Screw	541623	Bight and L-C-R Position Lever Complete, Nos. 545413 and 549285
504002	Thread Take-up Lever Link Hinge Pin Set Screw	541630	Bight Amplitude Regulating Plate Spring
504002	Thread Take-up Spring Regulator Set Screw	541631	Bight Amplitude Slide Block
504005-451	Clamp Stop Motion Clamp Screw	541634	Bight Amplitude Slide Block Crank Link
504007	Bight Amplitude Slide Block Crank Shaft Bushing Collar Set Screw (2)	541635	Bight Amplitude Slide Block Crank Shaft
504007	Pre-Tension Set Screw	541636	Bight Amplitude Slide Block Crank Shaft Bushing
504007	Rotating Hook Shaft Retainer Collar Screw (4)	541637	Bight Amplitude Slide Block Crank Shaft Bushing Collar with two 504007
504010-451	Needle Bar Connecting Link Guide Screw (2)	541639	Bight Amplitude Slide Block Crank Spring
504010-451	Rotating Hook Shaft Bevel Gear Cover Screw	541642	Bight Amplitude Slide Block Guide Stud
504010-451	Thread Guard (upper) Set Screw	541664	Needle Bar Connecting Stud Hinge Pin
504019	Hook Advancing Crank Bracket Screw (left) (right) (2)	541665	Needle Bar Connecting Stud Hinge Pin Washer
		541685	Rotating Hook Drive Shaft Bevel Gear (front) with two 504101
		541688	Rotating Hook Shaft
		541689	Rotating Hook Shaft Bevel Gear with two 504101
		541690	Rotating Hook Shaft Bevel Gear Cover
		541692	Rotating Hook Shaft Bushing (short)
		541693	Rotating Hook Shaft Retainer Collar with two 504007 (2)
		541694	Rotating Hook Thread Guard
		541696	Set of Gears (lower, front) Nos. 541685 and 541689
		541698	Slack Thread Regulator
		541702	Tension Releasing Pin
		541707	Thread Take-up Crank
		541708	Thread Take-up Lever with 52130
		541709	Thread Take-up Lever Complete, Nos. 52024 and 541708
		541712	Zig-Zag Stitch Regulator Fork Eccentric Connection Pin
		541749	Bight Amplitude Slide Block Crank Shaft Bushing Washer