

SINGER
885-113

THE SINGER 885-113 MACHINE

Description

The 885-113 machine is designed for application in the trimming and setting of shoulder pads in suits and coats. It is similar to the 1110117 machine except in the following respects:

- a. Modification has been made to provide $2\frac{1}{2}$ SPI as compared to 3 SPI.
- b. Two needle thread tensions are provided.
- c. A special adjustable tension release to compensate for varying material thickness has been incorporated.
- d. Maximum recommended speed is 1100 RPM.

Adjustments

Tension Release Bracket

With no material under the presser foot, the lifting presser foot should raise approximately $1/16$ " when the tension release pin engages the tension release bracket to open the tension discs on Tension "A"- Figure 1.

If adjustment is required, loosen Screw "C"- Figure 2 and move the tension release bracket up or down to make the tension discs open earlier or later.

Needle Thread Tensions

Tension "B"- Figure 1 maintains sufficient control on the needle

FIGURE 1

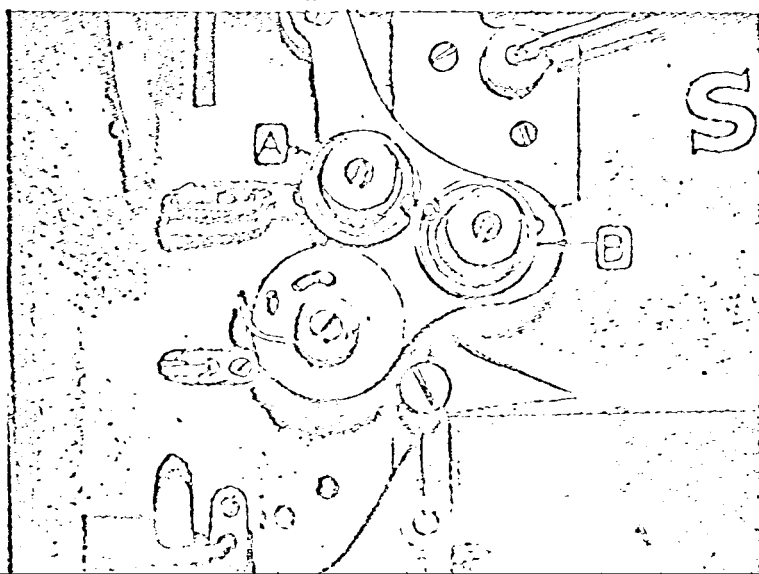
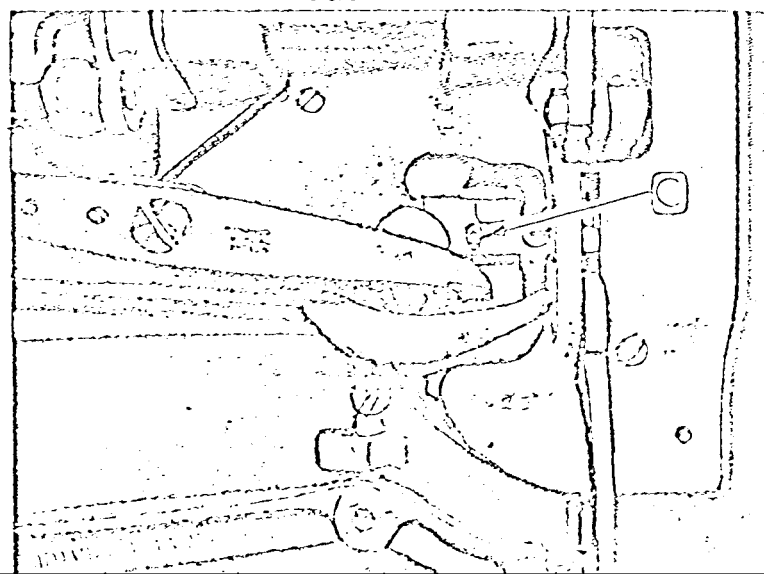


FIGURE 2



THE SINGER 885-113 MACHINE

Single Needle, Lockstitch, Compound Feed, Vertical Trimmer
 (111G117 Converted for 2 1/2 Stitches Per Inch)

126X11

MAXIMUM RECOMMENDED MACHINE SPEED: 1100 RPM. NEEDLE CAT. #4506 #2

Parts List

<i>ALTERED</i>	Tension Complete	223705	
	Tension Release Pin	235576	
	Foot Lifter Lever Spring	227561	
	Needle Bar Rock Frame Crank Pinch Screw	200029	
<i>ALTERED</i>	Feed Driving Connection Cap Screw	494230-001	
<i>ALTERED</i>	Feed Dog	491716	Specify Gaus
<i>ALTERED</i>	Vibrating Presser Foot	491717	Specify Gaus
<i>ALTERED</i>	Feed Driving Rock Shaft Crank	492065-001	
<i>NEW</i>	Throat Plate Body	492065-002	Specify Gaus
<i>ALTERED</i>	Needle Bar Rock Frame Rock Shaft Crank	492065-003	
<i>NEW</i>	Needle Bar Rock Frame Rock Shaft Crank	492065-003	
<i>ALTERED</i>	Feed Bar	492065-004	
<i>NEW</i>	Actuator Finger Insert	492065-007	
<i>ALTERED</i>	Presser Bar Lifting Bracket	492065-006	
<i>ALTERED</i>	Feed Driving Rock Shaft	492065-009	
	Throat Plate Knife Cutting Bar (1/8)	491718008	
	Throat Plate Knife Cutting Bar (5/32)	491718010	
	Throat Plate Knife Cutting Bar (3/16)	491718012	
<i>ALTERED</i>	Throat Plate Knife Cutting Bar (1/4)	491718016	
	Throat Plate Knife Cutting Bar (9/32)	491718018	
	Throat Plate Knife Cutting Bar (5/16)	491718020	
	Throat Plate Knife Cutting Bar (3/8)	491718024	
	Lifting Presser Foot (1/8 & 5/32)	491727008	
	Lifting Presser Foot (3/16)	491727012	
<i>ALTERED</i>	Lifting Presser Foot (1/4)	491727016	
	Lifting Presser Foot (9/32 & 5/16)	491727018	
	Lifting Presser Foot (3/8)	491727024	

The Singer Company
 Industrial Products Division
 Mechanized Systems Department

Clifton Laboratory
 Clifton, N. J.
 1/18/66

BLACK ... ALTERED in machine - PARTS NOT INTERCHANGEABLE

RED ... REMOVED FROM MACHINE ... ALTERED TO PRINT

BLUE ... NEW PARTS MADE TO PRINT

Adjustments (cont.)

thread while Tension "A"- Figure 1 is released. The setting of this tension is generally very light.

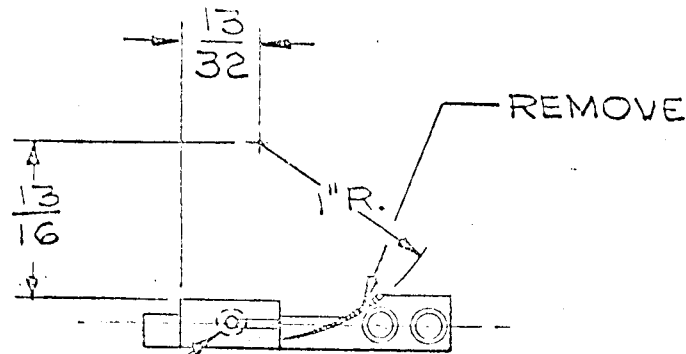
PARTS LIST

<u>Description</u>	<u>Part No.</u>
Tension Complete	223705
Tension Release Pin	235576
Foot Lifter Lever Spring	227561
Needle Bar Rock Frame Crank Pinch Screw	200029
Feed Driving Connection Cap Screw	494230-001
Feed Dog	491716 (Spec. Gauge)
Vibrating Presser Foot	491717 (Spec. Gauge)
Feed Driving Rock Shaft Crank	492065-001
Throat Plate Body	492065-002 (Spec. Gauge)
Needle Bar Rock Frame Rock Shaft Crank	492065-003
Feed Bar	492065-004
Needle Bar Rock Frame Rock Shaft Crank Connection	492065-005
Presser Bar Lifting Bracket	492065-006
Actuator Finger Insert	492065-007
Feed Driving Connection	492065-008
Feed Driving Rock Shaft	492065-009
Throat Plate Knife Cutting Bar (1/8)	491718-003
Throat Plate Knife Cutting Bar (5/32)	491718-010
Throat Plate Knife Cutting Bar (3/16)	491718-012
Throat Plate Knife Cutting Bar (1/4)	491718-016
Throat Plate Knife Cutting Bar (9/32)	491718-018
Throat Plate Knife Cutting Bar (5/16)	491718-020
Throat Plate Knife Cutting Bar (3/8)	491718-024
Lifting Presser Foot (1/8 & 5/32)	491727-003
Lifting Presser Foot (3/16)	491727-012
Lifting Presser Foot (1/4)	491727-016
Lifting Presser Foot (9/32 & 5/16)	491727-018
Lifting Presser Foot (3/8)	491727-024
Needle (#126 x 11)	4506-211

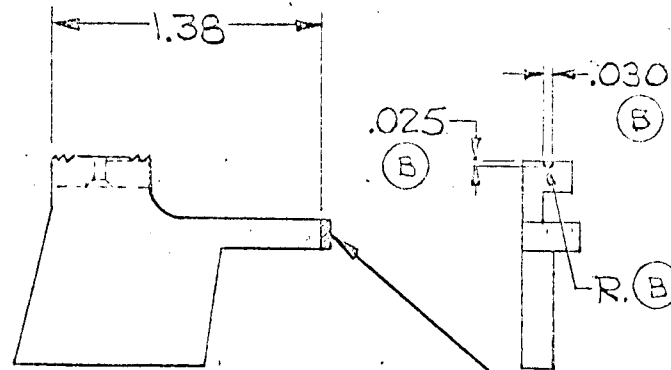
PART NO.	DESCRIPTION	IN STOCK	MADE FROM SINGER PART	SINGER PART IN STOCK	BACK
223905	TENSION				
235576	" RELEASE PIN				
227561	FOOT LIFTER LEVER SPRING				
200029	SCREW				
494230-001	SCREW				
494997-001	III G117				
492065-001	FEED DRIVE ROCK SHAFT COVER				
492065-002	THROAT PLATE BODY		240401		
492065-003	N.B. ROCK FRAME CRANK				
492065-006	P.B. LIFTING BRACKET		264526		
492065-007	INSERT				
491717-001	V. PRESSER FOOT $\frac{1}{8}$ - $\frac{5}{32}$		240496		
491717-002	" " " $\frac{3}{16}$ - $\frac{3}{8}$		240497		
491718-008	CUTTING BAR $\frac{1}{8}$ "		240384		
491718-010	" " $\frac{5}{32}$		240481		
491718-012	" " $\frac{3}{16}$		240483		
491718-016	" " $\frac{1}{4}$		240421		
491718-018	" " $\frac{9}{32}$		240488		
491718-020	" " $\frac{5}{16}$		240490		
491718-024	" " $\frac{3}{8}$ "		240494		
491727-008	L: PRESSER FOOT $\frac{1}{8}$ - $\frac{5}{32}$		240472		
491727-012	" " " $\frac{3}{16}$		240473		
491727-016	" " " $\frac{1}{4}$		240474		
491727-018	" " " $\frac{9}{32}$ - $\frac{5}{16}$		240475		
491727-024	" " " $\frac{3}{8}$		240476		
491716-001	FEED DOG $\frac{1}{8}$ - $\frac{5}{32}$		240456		
491716-002	" " $\frac{3}{16}$ - $\frac{3}{8}$		240457		

REVISIONS

SYM.	DESCRIPTION	CHG'D BY	CHK'D BY	DATE
A	ADDED CHART	W.F.C.		7-21-65
B	ADDED .030 X .025 GROOVE	A.K.S.		8-15-67



1/16 R. ALL AROUND
(OPPOSITE SIDE)



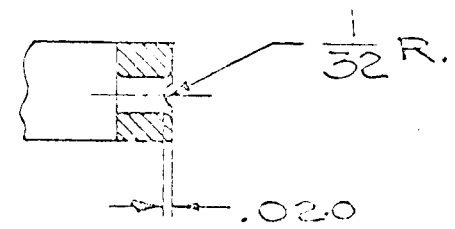
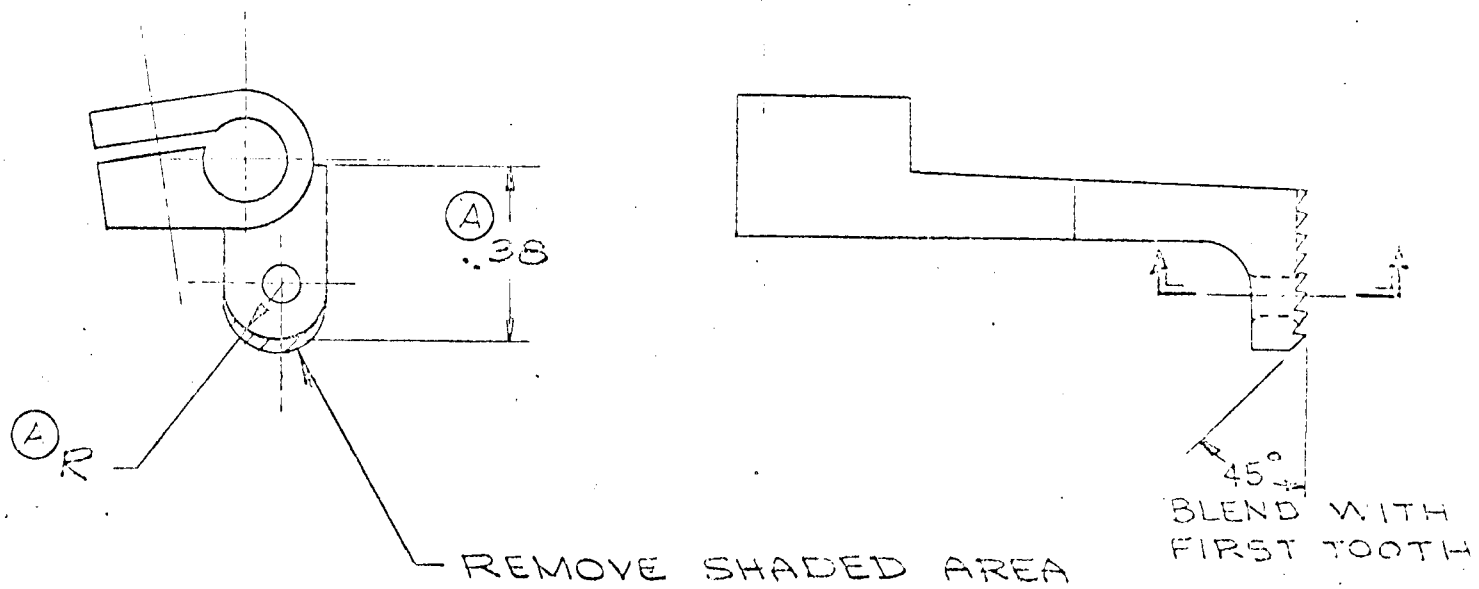
DWG. NO.	MATERIAL	CAGE
491716-001	240456	1/3
491716-002	240457	5/32 TO 2/3

ITEM NO.	REQ'D.	DESCRIPTION	DWG. OR CAT. NO.
----------	--------	-------------	------------------

NAME	FEED DOG , IIIW117			PROJECT NUMBER	
MATERIAL	SEE CHART			DRAWN BY	W.F.C.
HEAT TREATMENT				CHECKED BY	W.F.C.
FINISH				DATE DRAWN	7-21-65
TOLERANCE UNLESS OTHERWISE SPECIFIED			SCALE	1:1	MFG. APPR.
MAL: 2 PLACES ± .010 3 PLACES ± .005		FRACTIONS: ± 1/64	ANGLES: ±	ALL EDGES BROKEN .005 - .010	DATE OF ISSUE
					491716

REVISIONS

SYM.	DESCRIPTION	CHG'D BY	CHK'D BY	DATE
A ₂	REDIMENSIONED; REMOVED .11 R WAS 3/16 APPROX.	N.C.	W.F.C.	10/15/65
B	ADDED CHART & TWO VIEWS WITH DIMS.	W.F.C.		10/15/65
C	CHG'D. MATERIAL TO SEE CHART	W.F.C.		10/15/65



DWG. NO.	MATERIAL	GAGA
91717-001	240496	1/8 & 5/32
91717-002	240497	3/16 TO 3/8

ITEM NO.	REQ'D.	DESCRIPTION	DWG. OR CAT. NO.
----------	--------	-------------	------------------

NAME	VIBRATING PRESSER FOOT, IIIW117		
MATERIAL	SEE CHART	DRAWN BY	N.C.
HEAT TREATMENT		DATE DRAWN	7-22-65
FINISH		SCALE	2:1
USED ON		CHECKED BY	W.F.C.
		ENG. APPR.	1/11
		MFG. APPR.	

PROJECT NUMBER
 THE SINGER COMPANY
 INDUSTRIAL PRODUCTS DIVISION
 MECHANIZED SYSTEMS DEPARTMENT
 DRAWING NUMBER

TOLERANCE UNLESS OTHERWISE SPECIFIED
 DIMS: 2 PLACES ± .010
 3 PLACES ± .005
 FRACTIONS: ± 1/64
 ANGLES: ±
 ALL EDGES BROKEN
 .005 - .010

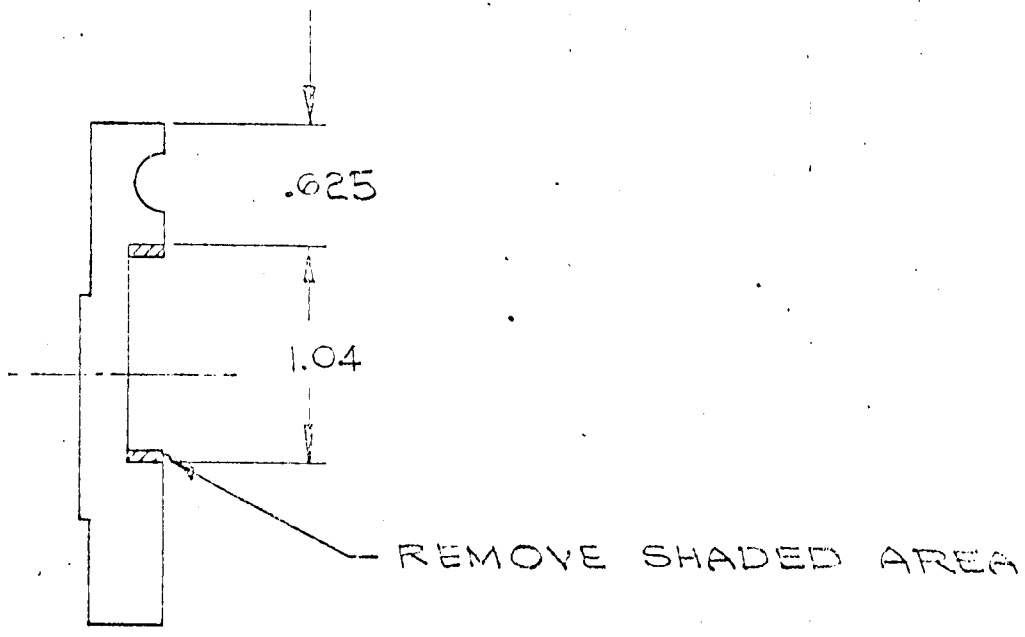
DATE OF ISSUE
 OCT 27 1965

491717

491718

REVISIONS

SYM.	DESCRIPTION	CHK'D BY	CHK'D BY	DATE
A	ADDED TABLE			1/2/65



491718001	1/8	3-10-64
491718002	1/16	3-10-64
491718003	3/32	3-10-64
491718006	1/2	3-10-64
491718008	3/16	3-10-64
491718010	5/16	3-10-64
491718008	1/8	3-10-64
PART NO		BASE MATERIAL

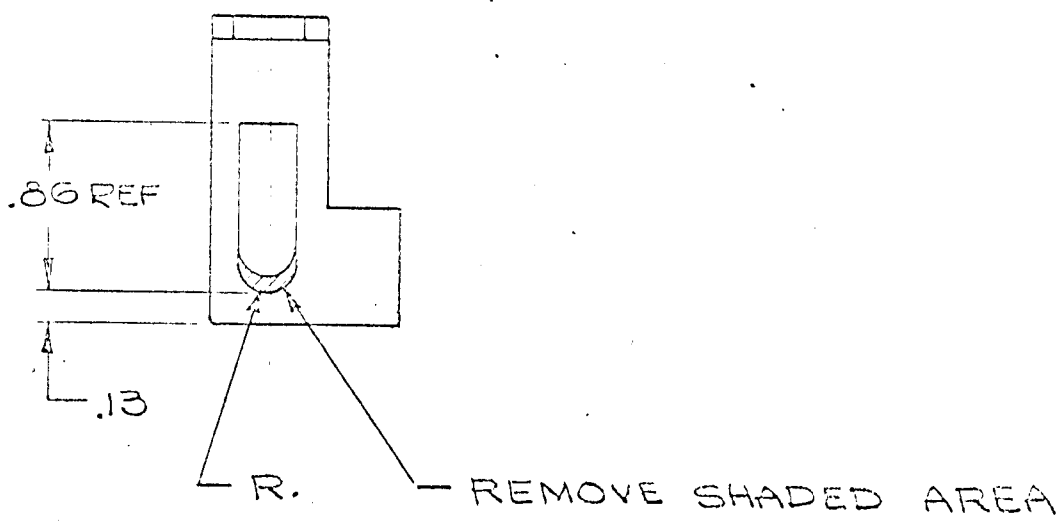
ITEM NO.	REQ'D.	DESCRIPTION	DWG. OR CAT. NO.
----------	--------	-------------	------------------

NAME		THROAT PLATE KNIFE CUTTING BAR		IIIW117		PROJECT NUMBER			
MATERIAL				DRAWN BY	N.C.	CHECKED BY	W.F.C.	THE SINGER COMPANY INDUSTRIAL PRODUCTS DIVISION MECHANIZED SYSTEMS DEPARTMENT	
HEAT TREATMENT				DATE DRAWN	7-22-65	ENG. APPR.	1/1	DRAWING NUMBER	
FINISH				SCALE	1:1	MFG. APPR.		491718	
TOLERANCE UNLESS OTHERWISE SPECIFIED									
DECIMAL: 2 PLACES ± .010 3 PLACES ± .005		FRACTIONS: ± 1/64		ANGLES: ±		ALL EDGES DROKEN .005 - .010		DATE OF ISSUE	

491727

REVISIONS

SYM.	DESCRIPTION	CHG'D BY	CHG'D NO.	DATE
------	-------------	----------	-----------	------



491727004	7	1-20-47
491727015	12	1-20-47
491727016	14	1-20-47
491727012	110	1-20-47
491727008	1	1-20-47
PART NO		

ITEM NO.	REQ'D.	DESCRIPTION	DWG. OR CAT. NO.
----------	--------	-------------	------------------

NAME	LIFTING PRESSER FOOT , IIIW117				
MATERIAL	SEE CHART				
HEAT TREATMENT		DRAWN BY	N.C.	CHECKED BY	W.F.C.
FINISH		DATE DRAWN	7-22-65	ENG. APPR.	1/11
USED ON		SCALE	1:1	MFG. APPR.	

PROJECT NUMBER
THE SINGER COMPANY
 INDUSTRIAL PRODUCTS DIVISION
 MECHANIZED SYSTEMS DEPARTMENT
 DRAWING NUMBER

TOLERANCE UNLESS OTHERWISE SPECIFIED

DECIMAL: 2 PLACES ± .010	FRACTIONS: ± 1/64	ANGLES: ±	ALL EDGES BROKEN .005 - .010
3 PLACES ± .005			

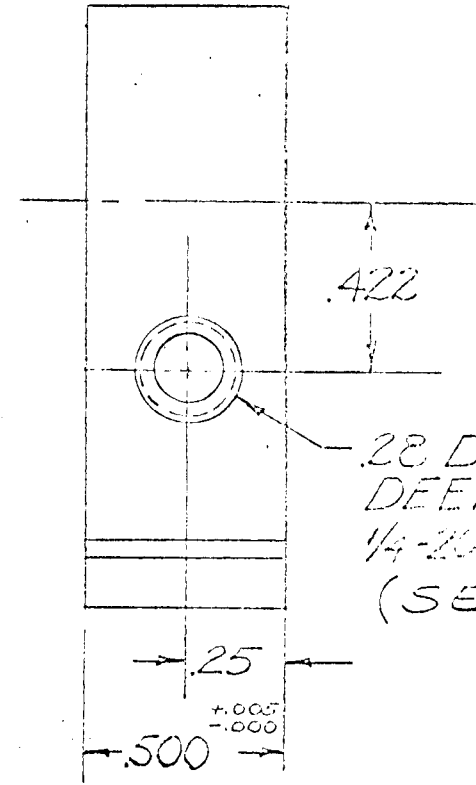
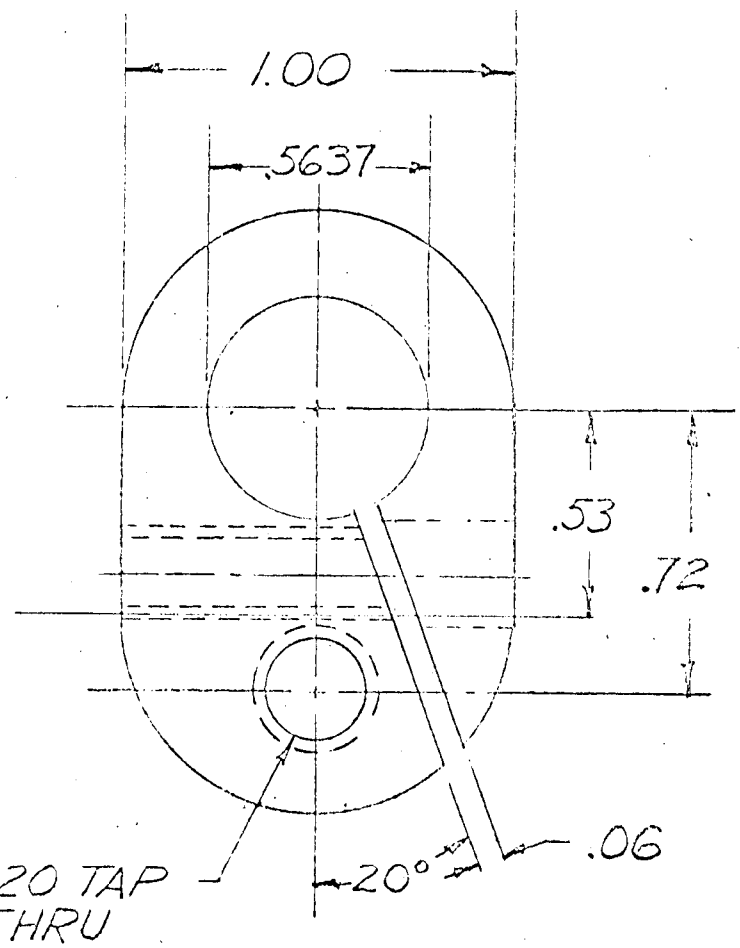
DATE OF ISSUE

491727

492065-001

REVISIONS

SYM.	DESCRIPTION	CHG'D BY	CHK'D BY	DATE
C	REDRAWN WITH CHANGES	RML		
D	ADDED NOTE #1	JIK		
E	REND: DIMS. 87 DIA & .970	RHC		



28 DIA. C'BORE x .25 DEEP. DRILL & TAP 1/4-20 THD THRU (SEE NOTE)

5/16 -20 TAP THRU

20° .06

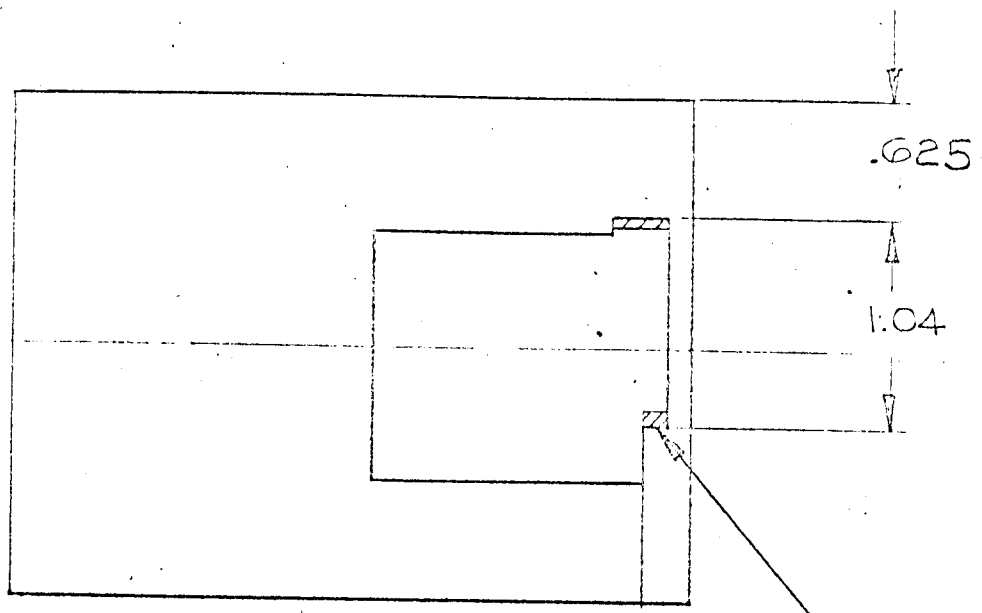
NOTE:
 1- ASSEMBLE SCREW, FIL. HD. #1/4-20 x 1" LG.
 2- BEFORE STOCKING PART

OLD NO MSD 1554

ITEM NO.	REQ'D.	DESCRIPTION	DWG. OR CAT. NO.
		FEED DRIVING ROCK SHAFT CRANK	PROJECT NUMBER
		MATERIAL: STEEL	THE SINGER COMPANY INDUSTRIAL PRODUCTS DIVISION MECHANIZED SYSTEMS DEPARTMENT
		HEAT TREATMENT	DRAWING NUMBER
385-113		FINISH: BLACK OXIDE	492065-001
USED ON		SCALE: 2:1	
TOLERANCE UNLESS OTHERWISE SPECIFIED		DATE OF ISSUE	
DECIMAL: 2 PLACES ± .010 3 PLACES ± .005	FRACTIONS: ± 1/64	ANGLES: ±	ALL EDGES BROKEN .005 - .010

REVISIONS

SYM.	DESCRIPTION	CHG'D BY	CHK'D BY	DATE
------	-------------	----------	----------	------



REMOVE SHADED AREA

ITEM NO.	REQ'D.	DESCRIPTION	DWG. OR CAT. NO.
----------	--------	-------------	------------------

NAME	THROAT PLATE BODY IIIW117				
MATERIAL	240401				
HEAT TREATMENT		DRAWN BY	N.C	CHECKED BY	W.F.C.
FINISH		DATE DRAWN	7-22-65	ENG. APPR.	P.H.
USED ON		SCALE	1:1	MFG. APPR.	

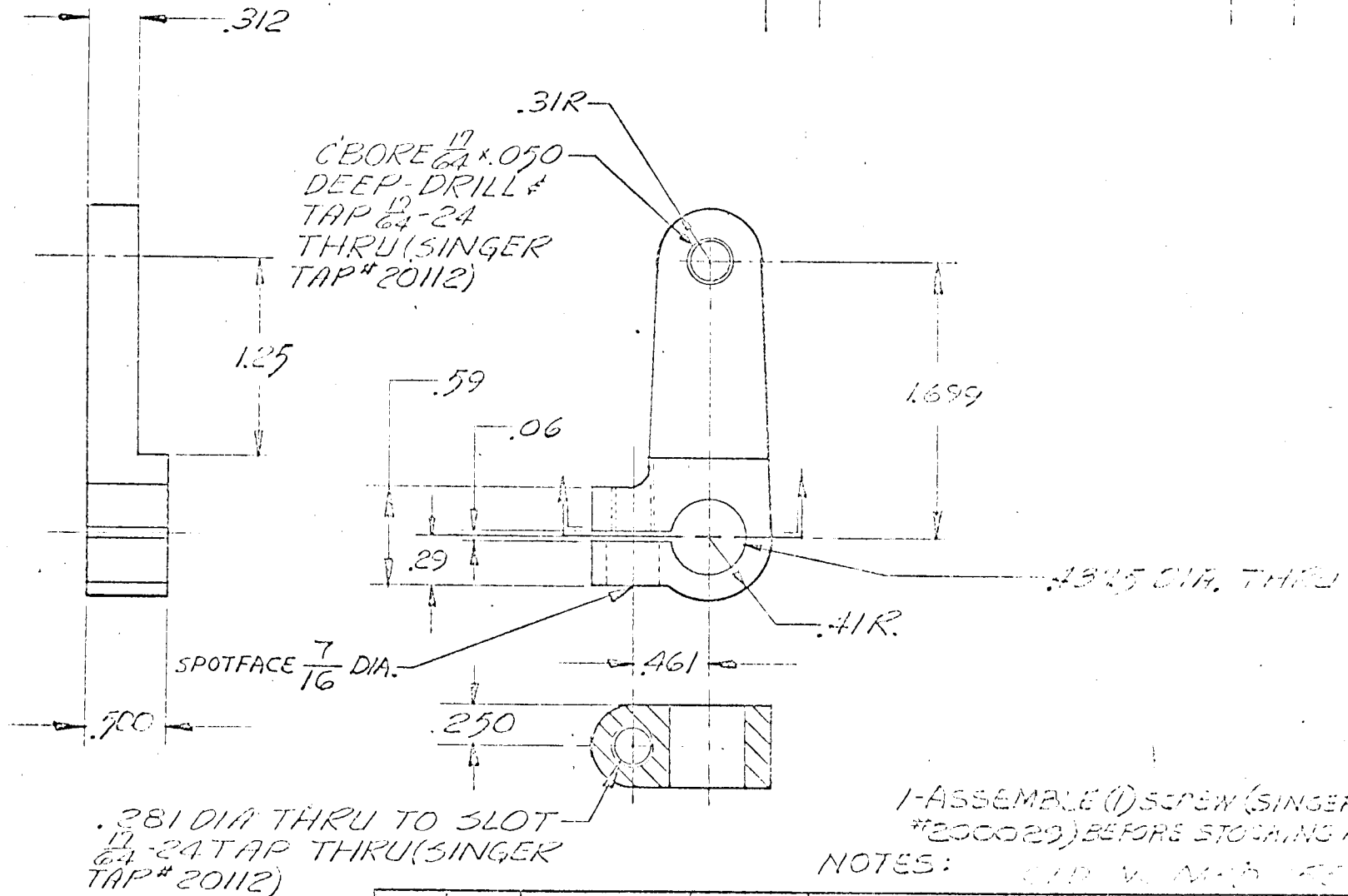
PROJECT NUMBER
 THE SINGER COMPANY
 INDUSTRIAL PRODUCTS DIVISION
 MECHANIZED SYSTEMS DEPARTMENT
 DRAWING NUMBER

TOLERANCE UNLESS OTHERWISE SPECIFIED			DATE OF ISSUE
DECIMAL: 2 PLACES ± .010	FRACTIONS: ± 1/64	ANGLES: ±	001 21 015
3 PLACES ± .005			
ALL EDGES BROKEN .005 - .010			

422005-002

REVISIONS

SYM.	DESCRIPTION	CHG'D BY	CHG'D BY	DATE
A	REDRAWN WITH CHANGES FOR 10/20/69			
B	ADDED NOTE #1	DTC		7/23/69



1-ASSEMBLE (1) SCREW (SINGER #200029) BEFORE STORING PARTS
 NOTES: CIP V. M. 10/20/69

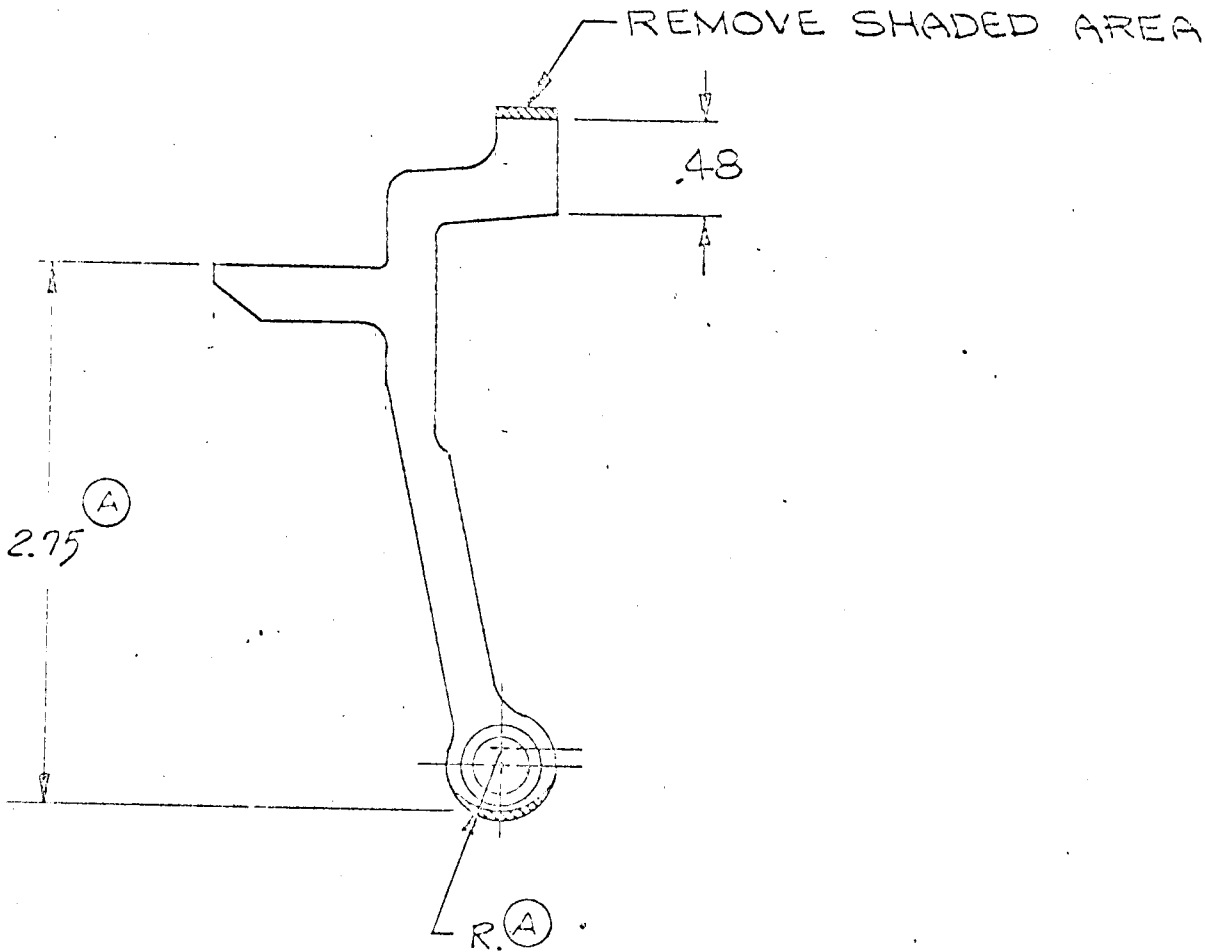
ITEM NO.	REQ'D.	DESCRIPTION	DWG. OR CAT. NO.
		NEEDLE BAR ROCK FRAME ROCK SHAFT CRANK, IIIW117	PROJECT NUMBER
		MATERIAL: STEEL	THE SINGER COMPANY INDUSTRIAL PRODUCTS DIVISION MECHANIZED SYSTEMS DEPARTMENT
		HEAT TREATMENT	DRAWING NUMBER
		FINISH: BLACK OXIDE	148065 003
TOLERANCE UNLESS OTHERWISE SPECIFIED		DATE OF ISSUE	
DECIMAL: 2 PLACES ± .010 3 PLACES ± .005	FRACTIONS: ± 1/64	ANGLES: ±	ALL EDGES BROKEN .005 - .010

885-113
USED ON

DRAWN BY: NOM
 CHECKED BY: WPC
 DATE DRAWN: 7-23-69
 ENG. APPR.
 MFG. APPR.
 SCALE: 1-1

REVISIONS

SYM.	DESCRIPTION	CHG'D BY	CHK'D BY	DATE
A2	REDIMENSIONED; REMOVED .48 R. WAS 5/16 R. ADDED .015	NOM	W.F.C.	11/1/65



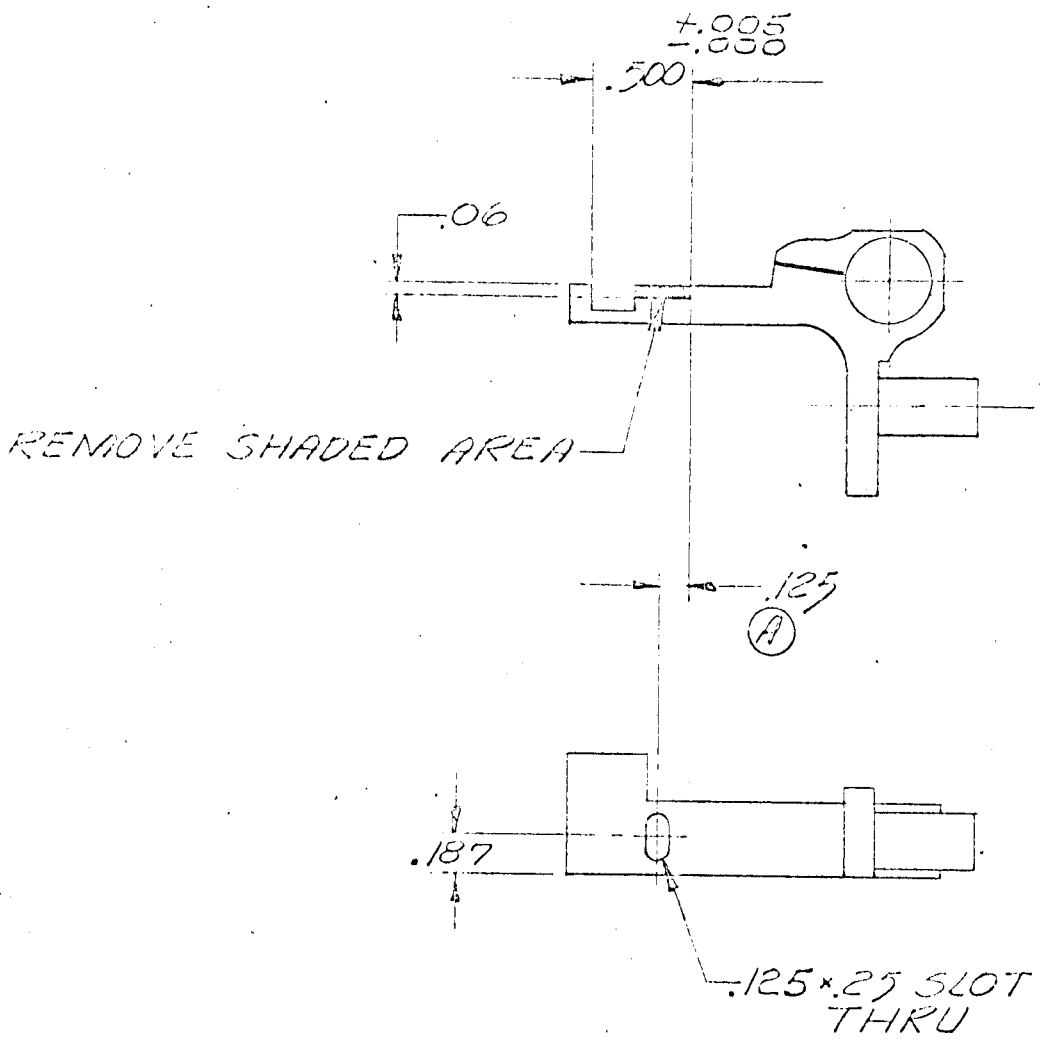
ITEM NO.	REQ'D.	DESCRIPTION	DWG. OR CAT. NO.
----------	--------	-------------	------------------

NAME	FEED BAR, IIIW117				PROJECT NUMBER	
MATERIAL	240454	DRAWN BY	W.F.C.	CHECKED BY	W.F.C.	THE SINGER COMPANY INDUSTRIAL PRODUCTS DIVISION MECHANIZED SYSTEMS DEPARTMENT
HEAT TREATMENT		DATE DRAWN	7-23-65	ENG. APPR.		
FINISH		SCALE	1:1	MFG. APPR.		

TOLERANCE UNLESS OTHERWISE SPECIFIED			DATE OF ISSUE	007 21 001	DRAWING NUMBER 422065 001
ALL: 2 PLACES ± .010 3 PLACES ± .005	FRACTIONS: ± 1/64	ANGLES: ±	ALL EDGES BROKEN .005 - .010		

REVISIONS

SYM.	DESCRIPTION	CHG'D BY	CHK'D BY	DATE
A	REDIMENSIONED LOCATION OF SLOT: DELETED .435 DIM	NOMI	H.F.C.	10-25-67



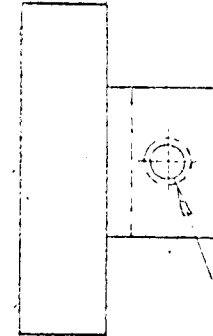
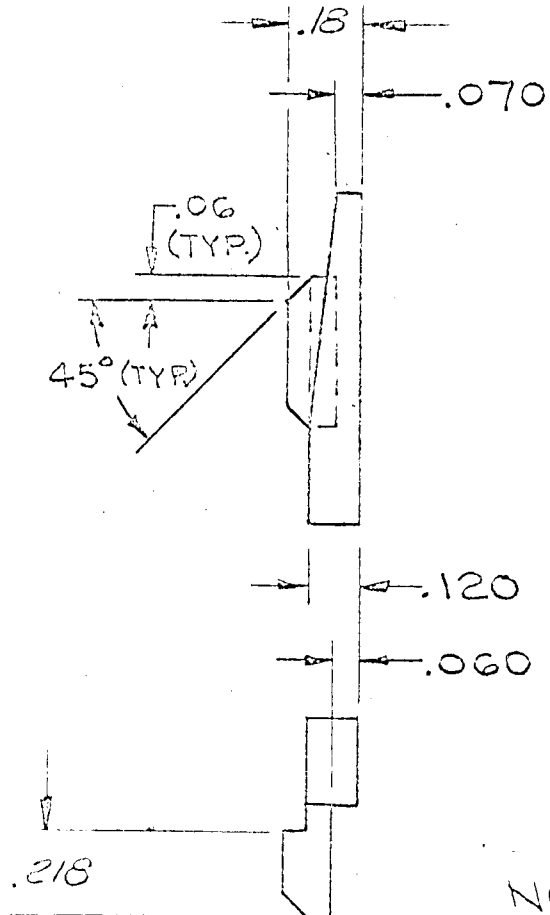
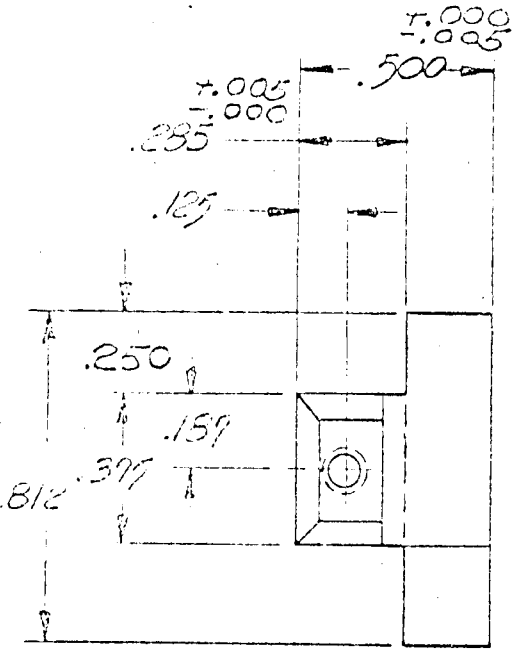
41204-006

ITEM NO.	REQ'D.	DESCRIPTION	DWG OR CAT NO
		PRESSER BAR LIFTING BRACKET	PROJECT NUMBER
		MATERIAL 264526	THE SINGER COMPANY INDUSTRIAL PRODUCTS DIVISION MECHANIZED SYSTEMS DEPARTMENT
		HEAT TREATMENT	DRAWING NUMBER
		FINISH	
TOLERANCE UNLESS OTHERWISE SPECIFIED		DATE OF ISSUE	
CIMAL: 2 PLACES ± .010	FRACTIONS: ± 1/64	ANGLES: ±	
3 PLACES ± .005		ALL EDGES BROKEN .005 - .010	

41204-006

REVISIONS

SYM.	DESCRIPTION	CHGD BY	CHK'D BY	DATE
A	ADDED NOTE #1	J.F.C.		10-20-69



#4-40 THRU

1- ASSEMBLE (1) SCREW, CAP, HEX. SKT. #4-40 x 1/4 LG. BEFORE STOCKING PART.

NOTES:-

OLD NO. 4-11-13-1

ITEM NO.	REQ'D.	DESCRIPTION	DWG. OR CAT. NO.
		ACTUATOR FINGER INSERT (IIIW117)	
NAME		ACTUATOR FINGER INSERT (IIIW117)	PROJECT NUMBER
MATERIAL		STEEL	THE SINGER COMPANY INDUSTRIAL PRODUCTS DIVISION MECHANIZED SYSTEMS DEPARTMENT
HEAT TREATMENT			
FINISH		BLACK OXIDE	
DRAWN BY		NOMI	DRAWING NUMBER
DATE DRAWN		10-20-69	
CHECKED BY		J.F.C.	DATE OF ISSUE
SCALE		2-1	
TOLERANCE UNLESS OTHERWISE SPECIFIED			
DECIMAL: 2 PLACES ± .010	FRACTIONS: ± 1/64	ANGLED: ±	
3 PLACES ± .005		ALL EDGES BROKEN .005 - .010	

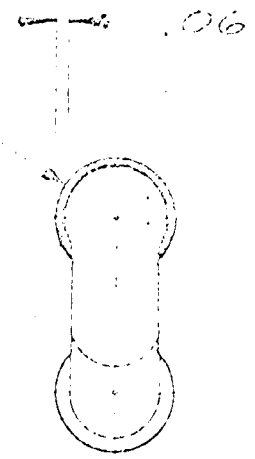
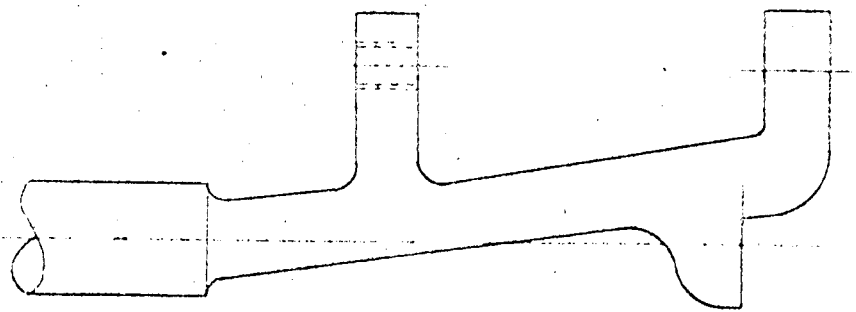
NOV 27 1969

4-22067-001

REVISIONS

SYM.	DESCRIPTION	CHK'D BY	CHK'D DATE
------	-------------	----------	------------

REMOVE SHADED AREA



ITEM NO.	REQ'D.	DESCRIPTION	DWG. OR CAT. NO.
		FEED DRIVING ROCK SHAFT	PROJECT NUMBER
		223650	THE SINGER COMPANY
		DRAWN BY NOMI	INDUSTRIAL PRODUCTS DIVISION
		DATE DRAWN 10/25/59	MECHANIZED SYSTEMS DEPARTMENT
		CHECKED BY J.M.F.C.	DRAWING NUMBER
		ENG. APPR.	1920657-000
		MFG. APPR.	
TOLERANCE UNLESS OTHERWISE SPECIFIED		SCALE 1-1	DATE OF ISSUE
CIMAL: 2 PLACES ± .010	FRACTIONS: ± 1/64	ALL EDGES BROKEN	
3 PLACES ± .005		.005 - .010	