

Form 2836w
(450)

Printed in U. S. A.

HISTORICAL COPY

DO NOT REMOVE

LIST OF PARTS



MACHINE No. 79-104

—
** A TRADE MARK OF

THE SINGER MANUFACTURING COMPANY

INSTRUCTIONS FOR OILING

To ensure easy running and prevent unnecessary wear of the parts which are in movable contact, the machine requires oiling and when in continuous use, "TYPE B" or "TYPE D" OIL, sold only by Singer Sewing Machine Company, should be applied at least twice each day to all oil holes marked "OIL", as instructed in Form 2951w.

"TYPE D" OIL is stainless.

Copyright, U. S. A., 1938, 1939, 1940, 1944,
1946 and 1950

by The Singer Manufacturing Co.

All Rights Reserved for all Countries

INDEX

	PAGE
ACCESSORIES - - - - -	22
BED EXTENSION - - - - -	23
BOBBIN WINDER - - - - -	23
DRIVING EQUIPMENT - - - - -	24
IDLER PULLEY - - - - -	25
IRON BASE - - - - -	25
MACHINE No. 79-104 - - - - -	5
MISCELLANEOUS PARTS - - - - -	26
NUMERICAL LIST OF PARTS - - - - -	27
THREAD UNWINDER - - - - -	26

INSTRUCTIONS FOR ORDERING

In ordering from this list, use **ONLY** the **PART** number in the **FIRST** column.

The number stamped on a Sewing Machine Part is the number of the Single Part only, except when the part includes Set Screws, Clamping Screws, Studs and Rollers Spun on, Small Wires riveted, or Parts soldered together, etc., which it is necessary to furnish in combination.

Every combination of parts sent out has its specific number which, although not stamped on Parts (except in above case), must be used when ordering the combination.

Each number always indicates the **SAME PART** in whatever list it appears, or for whatever Machine.

The letters after some of the numbers indicate the style of finish only, as follows:

- A. Hardened, Polished, Nickel Plated and Buffed.
- B. Polished, Nickel Plated and Buffed.
- C. Hardened only.
- D. Polished only.
- E. Soft, not polished.
- F. Hardened and Polished.
- H. Blued.
- J. Nickel Plated only.
- R. Merlized.
- X. Black Oxide, for Iron and Steel.
- XC. Hardened and Black Oxide, for Iron or Steel.
- Y. Black Nickel Plated only.

These letters **MUST BE USED** when they appear in the list and **AFTER** the number, as in the list.

In this series

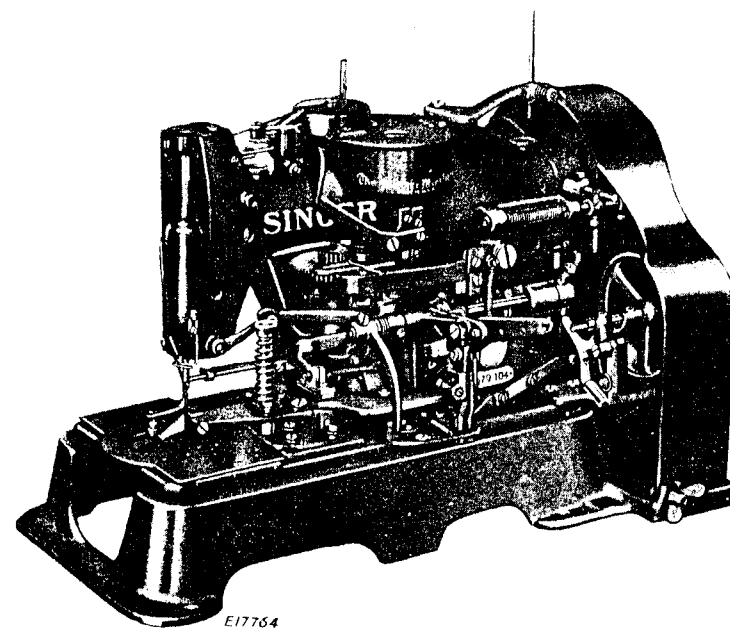
1 to 1500, 200001 to 201500 and 350001 to 351500 are Screw Numbers.
1501 to 1800, 201501 to 201800 and 351501 to 351800 are Nut Numbers.
1801 to 2000, 201801 to 202000 and 351801 to 352000 are Roller Numbers.
2001 to 50000 and 202001 to 350000 are Numbers of Machine Parts.

The figures in the second column refer only to the plate in which the illustration of the part is shown and are **NOT TO BE USED** in ordering.

Two or more numbers over a cut indicate that the difference between such parts is not visible in an illustration.

Parts marked with an asterisk (*) are furnished only when repairs are made at the factory.

LIST OF PARTS COMPLETE FOR



MACHINE No. 79-104

HIGH SPEED.

GEAR FEED.

FOR TACKING STRAPS TO UNDERWEAR, LABELS TO GARMENTS AND FOR SIMILAR PURPOSES.

MAKES WHIP STITCH TACK FROM $\frac{3}{8}$ INCH TO $\frac{7}{8}$ INCH

LONG AND $\frac{1}{16}$ INCH TO $\frac{3}{16}$ INCH WIDE.

BOTH THREADS ARE CUT AUTOMATICALLY.

No.	Plate	Name
*249601	-----	Arm with 24081
8582	18219	" Dowel Pin (2)
241206	18220	" Oil Cup (2)
748E	18219	" Screw (back) (2)
868E	18219	" " (front) (2)
249602	18220	" Shaft
*24081	-----	" Bushing (front)
202260	18220	" " " Oil Packing (wick) (2)
249622	18220	" " Flanged Bushing (back)

PARTS FOR MACHINE No. 79-104

No.	Plate	Name
435AL	18220	Arm Shaft Flanged Bushing (back) Set Screw
1069D	18220	Arm Shaft Screw
39620	18260	" Side Cover
190D	18260	" " " Screw
249604	18260	" Top Cover (left)
249605	18260	" " " (right)
190D	18260	" " " Screw (4)
*249620	-----	Bed
249894	18219	" Oil Guard with 249883
249883	18219	" " " Oil Tube (brass)
1235F	18219	" " " Screw
249853	17942	Belt Shifter with 350287C
249854	17942	" " Operating Collar with 350329C
350329C	17942	Belt Shifter Operating Collar Set Screw
249855	18229	Belt Shifter Operating Rod
350287C	18229	" " " " Set Screw
350287C	17942	" " Set Screw
249856	17942	" " Shaft
249857	17942	" " Bracket
249858	17942	" " " Extension with 51047E
51047E	17942	Belt Shifter Shaft Bracket Extension Pinch Screw
158E	17942	Belt Shifter Shaft Bracket Extension Screw
350288C	17942	Belt Shifter Shaft Bracket Hinge Screw
23554	18228	" " " " Spring
350338E	18228	" " " " " Screw Stud (lower)
350339E	17942	Belt Shifter Shaft Bracket Spring Screw Stud (upper)
249860	17942	Belt Shifter Shaft Bracket Stop
191D	17942	" " " " " Screw
249861	17942	" " " Guide Collar with 237X
2269	17942	Belt Shifter Shaft Guide Collar Position Pin
237X	17942	Belt Shifter Shaft Guide Collar Set Screw
249862	17942	Belt Shifter Shaft Spring
39882	17942	" " Stop Washer (rawhide)
249863	18257	" " Trip Point
249869	-----	" " " Collar with 175F, 756E, 23466, 249863 and two 448AL
40139	18257	Belt Shifter Trip Point Collar 249869 less 175E and 23466
448AL	18257	Belt Shifter Trip Point Collar Set Screw
756E	18257	Belt Shifter Trip Point Screw
249864	17942	" " " Stud
161D	18262	Bobbin Winder Base Screw (2)
135D	18262	" " Tension Bracket Screw
39647	18221	Clamp Arm

PARTS FOR MACHINE No. 79-104

No.	Plate	Name
625F	17885	Clamp Arm Adjusting Screw (2)
1547J	17885	" " " " Nut (2)
39584	17885	" " Bracket with 196F
40003	17885	" " " Guide (left)
219F	17885	" " " " Screw (2)
40004	17885	Clamp Arm Bracket Guide (right)
207F	17885	" " " " " Screw (2)
191C	17885	Clamp Arm Bracket Screw (3)
39541	17885	" " " " Washer (3)
23379	17885	" " Hinge Block
23380	17885	" " " " Pin
196F	17885	" " " " " Set Screw
402D	17885	" " Screw (3)
249751	18223	" Carrier with 249735 and two 934X
40006	18227	Clamp Carrier Block with 40007 and four 404D
40007	18227	Clamp Carrier Block Plate
404D	18227	" " " " Screw
23384	18227	" " Connecting Rod
52C	18227	" " " " Hinge Screw
39591	18223	Clamp Carrier Guide (left)
756D	18223	" " " " " Screw (long)
1345D	18223	" " " " " (short)
39645	18223	" " " (right)
1230F	18223	" " " " " Screw (2)
249753	17885	" " Plate
1231F	17885	" " " " " Screw (back) (2)
404D	17885	" " " " " (front) (2)
249623	18227	" " " Regulator with 240D, 1960 and 39583
1232C	18227	Clamp Carrier Regulator Hinge Screw
1960	18227	" " " Roller and Screw Stud with 1520J
1520J	18227	Clamp Carrier Regulator Roller and Screw Stud Nut
249895	18219	Clamp Carrier Regulator Slide
201210C	18227	" " " " Stud (to regulate length of tack)
1671C	18227	Clamp Carrier Regulator Stud Nut
39532	18227	" " " " " Sleeve
39583	18227	" " " " " Stop
240D	18227	" " " " " Screw
39605	18223	Clamp Carrier Slide with 1345D, 39591 and two 756D
23392	18223	Clamp Carrier Slide Guide (left)
23393	18223	" " " " " (right)
914F	18223	" " " " " Screw (4)
1346D	18223	" " " " " Screw (2)
*249735	-----	" " Stay Plate
934X	18223	" " " " " Screw

PARTS FOR MACHINE No. 79-104

No.	Plate	Name
249626	18221	Clamp Check with 249630,350297E and two 50138F, for 3/8 to 7/8 in. tacks
40115	18221	Clamp Check Clamping Section (left)
40016	18221	" " " " (right)
337B	18221	" " " " Screw
39650	18221	" " Holder
337B	18221	" " Adjusting Screw (2)
249749	18221	Clamp Check Holder Adjusting Screw Friction Plate
212D	18221	Clamp Check Holder Hinge Cap Screw
39715	18221	" " " Stop Plate
237X	18221	" " " " Screw
1296AL	18221	" " Screw (2)
249630	18221	" " Section and Cutting Plate
50138F	18221	" " " " " " " " Screw
350297E	18221	Clamp Check Section and Cutting Plate Support Stud
1296AL	18221	Clamp Check Stop Screw
249840	18221	" " Thread Clamping Pressure Spring
350298D	18221	Clamp Check Thread Clamping Pressure Spring Screw
40117	18221	Clamp Check complete, Nos. 219F, 40115, 40116, 232105, 249626, 249719, 249720, 249827, 249828, 249840, 350298D and four 337B
249588	18221	Clamp Lifting Arm
249759	18228	" " " Connection (lower section)
249865	18228	Clamp Lifting Arm Connection (upper section)
249866	18228	Clamp Lifting Arm Connection complete, Nos. 704C, 23390, 249759 and 249865
41C	18228	Clamp Lifting Arm Connection Hinge Screw
1520J	18228	Clamp Lifting Arm Connection Hinge Screw Nut
249867	17942	Clamp Lifting Arm Connection Lock
940F	17942	" " " " " " " " Hinge Screw
232065	17942	Clamp Lifting Arm Connection Lock Spring
201295E	17942	Clamp Lifting Arm Connection Lock Spring Screw Stud
249805	17942	Clamp Lifting Arm Connection Lock Stop Plate
194C	17942	Clamp Lifting Arm Connection Lock Stop Plate Support End
249760	18228	Clamp Lifting Arm Connection Lock Trip Lever with 690D
690D	18228	Clamp Lifting Arm Connection Lock Trip Lever Pinch Screw
1901	18228	Clamp Lifting Arm Connection Roller and Screw Stud with 229D and 12424

PARTS FOR MACHINE No. 79-104

No.	Plate	Name
40016	18228	Clamp Lifting Arm Connection Roller and Screw Stud Bracket
157F	18228	Clamp Lifting Arm Connection Roller and Screw Stud Bracket Screw
39541	18228	Clamp Lifting Arm Connection Roller and Screw Stud Bracket Screw Washer
229D	18228	Clamp Lifting Arm Connection Roller Cap Screw
12424	18228	Clamp Lifting Arm Connection Roller Cap Screw Washer
704C	18228	Clamp Lifting Arm Connection Screw
23390	18228	" " " " " " Washer
199D	18221	Clamp Lifting Arm Screw (2)
40020	17885	" Plate
1235F	18223	" " Screw (4)
23573	17885	" " Support
402D	17885	" " " Screw (2)
23574	17885	" Post
1659C	17885	" Pressure Regulating Thumb Nut
23404	17885	" Spring
23693	17885	" " Bushing
1294C	17885	" " " Position Stud
1550J	17885	" " " " " Nut
24028	18220	Crank Connecting Rod with 24085 and two 896E
*24085	-----	Crank Connecting Rod Cap
896E	18220	" " " " Screw
908C	18220	" " " Hinge Screw
1619E	18220	" " " " " Nut
249933	18220	" " " " " Oil Tube (brass)
202423	18220	Crank Connecting Rod Hinge Screw Oiling Wick
249631	18219	Face Plate
217D	18219	" " Screw (lower)
190D	18219	" " " (upper)
40118	18257	Feed Driving Gear with two 448AL
249965	18257	" " " (intermediate) with two 457E
40141	18257	Feed Driving Gear (intermediate) (large), for stud
249967	18257	Feed Driving Gear (intermediate) (small), for stud
249968	18257	Feed Driving Gear (intermediate), for swing bracket
249969	18257	Feed Driving Gear (intermediate) Bracket
40142	17942	Feed Driving Gear (intermediate) Bracket Position Lever
350500C	18257	Feed Driving Gear (intermediate) Bracket Position Lever Clamping Screw
40143	18257	Feed Driving Gear (intermediate) Pinion Shaft
249995	18257	Feed Driving Gear (intermediate) Pinion Shaft Collar with two 350462E

No.	Plate	Name
350462E	18257	Feed Driving Gear (intermediate) Pinion Shaft Collar Set Screw
249849	18257	Feed Driving Gear (intermediate) Pinion Shaft Eccentric Bushing
249844	18257	Feed Driving Gear (intermediate) Pinion Shaft Eccentric Bushing Position Plate
161D	18257	Feed Driving Gear (intermediate) Pinion Shaft Eccentric Bushing Position Plate Screw
232719	18257	Feed Driving Gear (intermediate) Position Pin
457E	18257	Feed Driving Gear (intermediate) Set Screw
249971	18257	Feed Driving Gear (intermediate) Stud
249972	18257	Feed Driving Gear (intermediate) Swing Bracket
350310D	18257	Feed Driving Gear (intermediate) Swing Bracket Screw
232131	18257	Feed Driving Gear (intermediate) Swing Bracket Screw Washer
40025	18257	Feed Driving Gear Position Pin
448AL	18257	" " " " Set Screw
249905	17942	" Hand Ratchet Lever
249906	17942	" " " " Extension Handle
160H	17942	Feed Hand Ratchet Lever Extension Handle Screw
249907	17942	Feed Hand Ratchet Lever Pawl with 232382
90D	17942	Feed Hand Ratchet Lever Pawl Hinge Screw
250058	17942	Feed Hand Ratchet Lever Pawl Spring
232382	17942	" " " " " " Pin
1449H	17942	" " " " " " " Screw
249914	17942	Feed Hand Ratchet Lever complete, Nos. 90D, 160H, 1449H, 249905 to 249907 and 250058
39924	18257	Feed Hand Ratchet Wheel with 460AL
3012	18257	" " " " Pin
460AL	18257	" " " " Set Screw
40120	18227	" Wheel with 249641 and two 220D
201668E	18257	" " Clamping Nut
40140	18257	" " Shaft
249640	18227	" " Tripping Lever
350237C	18227	" " " " Hinge Screw
1620E	18227	" " " " " " " Nut
249868	18227	Feed Wheel Tripping Lever Point
203C	18227	" " " " " " Screw (2)
646F	18227	Feed Wheel Tripping Lever Screw Stud
250444	18227	" " " " " " " Washer

No.	Plate	Name
23435	18227	Feed Wheel Tripping Lever Spring
190D	18227	" " " " " Screw
184E	18227	" " " " Stop Screw
249641	18227	" " " " Point
220D	18227	" " " " Screw
*249642	18225	Intermittent Feed Wheel with two 350249E
*249936	18225	Intermittent Feed Wheel Driving Bevel Gear with two 351872
*249644	18225	Intermittent Feed Wheel Driving Bevel Gear Bracket
249944	18225	Intermittent Feed Wheel Driving Bevel Gear Bracket 249644 with 249936 and 350230C
1396E	18225	Intermittent Feed Wheel Driving Bevel Gear Bracket Screw (2)
350230C	18225	Intermittent Feed Wheel Driving Bevel Gear Cap Screw
249645	18220	Intermittent Feed Wheel Driving Bevel Pinion with two 453AL
40025	18220	Intermittent Feed Wheel Driving Bevel Pinion Position Pin
453AL	18220	Intermittent Feed Wheel Driving Bevel Pinion Set Screw
201891	18225	Intermittent Feed Wheel Driving Roller
351872	18225	Intermittent Feed Wheel Driving Roller 201891 with 229D, 23389 and 249937
229D	18225	Intermittent Feed Wheel Driving Roller Cap Screw
23389	18225	Intermittent Feed Wheel Driving Roller Cap Screw Washer
249934	18260	Intermittent Feed Wheel Driving Roller Oiling Felt
249935	18260	Intermittent Feed Wheel Driving Roller Oiling Felt Holder
1034F	18260	Intermittent Feed Wheel Driving Roller Oiling Felt Holder Screw (2)
249937	18225	Intermittent Feed Wheel Driving Roller Stud
12546	18225	Intermittent Feed Wheel Position Pin
350249E	18225	" " " " Screw
*249646	18225	" " " " Shaft
249946	18225	" " " " 249646 with 249642, 249674 and two 12546
39857	18230	Needle Bar with 904F
23476	18230	" " Connecting Link with 794E
794E	18230	" " " " Adjusting Screw
1021E	18230	Needle Bar Connecting Link Cap Screw
39601	18230	" " " " Stud with 1341C
1341C	18230	" " " " Set Screw
23477	18220	" " Crank with 858AL, 1036AL, 1065AL and 1258AL

No.	Plate	Name
1065AL	18220	Needle Bar Crank Position Screw
858AL	18220	" " " Set Screw
23478	18230	" " " Frame with 4784
249666	18230	" " " Connection
350254F	18230	" " " " Cap Screw
350251C	18230	" " " " Hinge Screw
1651J	18230	" " " " " "
		Lock Nut
249667	18225	Needle Bar Frame Driving Gear
249671	18225	" " " " "
		(intermediate) (large) with 235356
249672	18225	Needle Bar Frame Driving Gear
		(intermediate) (small)
249669	18225	Needle Bar Frame Driving Gear
		(intermediate) Bracket with 1149AL
250397	18225	Needle Bar Frame Driving Gear
		(intermediate) Bracket Position Pin
129E	18225	Needle Bar Frame Driving Gear
		(intermediate) Bracket Screw (2)
201715C	18225	Needle Bar Frame Driving Gear
		(intermediate) Clamping Nut
235356	18225	Needle Bar Frame Driving Gear
		(intermediate) Pin
249670	18225	Needle Bar Frame Driving Gear
		(intermediate) Stud
1149AL	18225	Needle Bar Frame Driving Gear
		(intermediate) Stud Set Screw
200068H	18225	Needle Bar Frame Driving Gear
		Screw (2)
23610	18230	Needle Bar Frame Pitman (hinge screw end)
23609	18230	Needle Bar Frame Pitman (regulator end)
190C	18230	Needle Bar Frame Pitman Adjusting Screw
7071	18230	Needle Bar Frame Pitman Adjusting Screw Washer
23611	18230	Needle Bar Frame Pitman (adjustable) complete, Nos. 23609, 23610, two each 190C and 7071
1042C	18230	Needle Bar Frame Pitman Hinge Screw
1547J	18230	" " " " " " Nut
249673	18230	" " " Regulator
1038C	18230	" " " " Adjusting Screw
1698C	18230	Needle Bar Frame Regulator Adjusting Screw Nut
7070	18230	Needle Bar Frame Regulator Adjusting Screw Sleeve
39504	18230	Needle Bar Frame Regulator Adjusting Screw Washer
249668	18230	Needle Bar Frame Regulator Hinge Stud
446C	18230	" " " " " "
		Set Screw
303C	18230	Needle Bar Frame Screw Center (lower)

No.	Plate	Name
1608C	18230	Needle Bar Frame Screw Center (lower) Nut
673F	18230	Needle Bar Frame Screw Center (upper)
1517J	18230	" " " " " "
		Nut
40121	18223	Needle Plate
350234D	18223	" " Screw (2)
904F	18230	" Set Screw
40122	18225	" Vibrating Controlling Block
161D	18225	" " " "
		Screw
8800	18225	Needle Vibrating Controlling Block Screw Washer
*249674	18225	Needle Vibrating Gear with two 350249E
12546	18225	Needle Vibrating Gear Position Pin
350249E	18225	" " " " Screw
249611	18225	" " Shaft with 452C
201713C	18225	" " " Adjusting
		Lock Nut (2)
249612	18260	Needle Vibrating Shaft Guard
208AL	18260	" " " " Screw (2)
249613	18225	" " Slide
249740	18225	" " " Operating Plate (adjustable)
223D	18225	Needle Vibrating Slide Operating Plate (adjustable) Screw (2)
249614	18225	Needle Vibrating Slide Operating Plate (stationary)
228D	18225	Needle Vibrating Slide Operating Plate (stationary) Screw (2)
350253C	18225	Needle Vibrating Slide Operating Plate Adjusting Screw
1607E	18225	Needle Vibrating Slide Operating Plate Adjusting Screw Nut
249615	18225	Needle Vibrating Slide Operating Rod
249616	18225	Needle Vibrating Slide Operating Rod Stud
898C	18225	Needle Vibrating Slide Stop Screw (adjustable)
452C	18225	Needle Vibrating Slide Stop Screw (adjustable) Set Screw
39653	18220	Oscillating Rock Shaft
23494	18220	" " " Hinge Pin with 23421
23421	18220	Oscillating Rock Shaft Hinge Pin Oil Hole Plug (leather)
448AL	18220	Oscillating Rock Shaft Hinge Pin Set Screw
4784	18220	Oscillating Rock Shaft Oil Pad
39654	18220	Oscillating Rock Shaft complete, Nos. 4784, 23494 and 39653
39655	18220	Oscillating Shaft
39656	18220	" " Bushing (back)
24047	18220	" " " (front)

PARTS FOR MACHINE No. 79-104

No.	Plate	Name
249931	18220	Oscillating Shaft Bushing (front) Oil Tube (brass)
250451	18220	Oscillating Shaft Bushing (front) Oil Tube Plate
190D	18220	Oscillating Shaft Bushing (front) Oil Tube Plate Screw
249932	18220	Oscillating Shaft Bushing (front) Oil Tube Support Plate
39657	18220	Oscillating Shaft Crank
1253C	18220	" " " Set Screw
39658	18220	Oscillating Shaft Crank complete, Nos. 1636F, 24050, 39657 and two 1253C
19448	18220	Oscillating Shaft Crank Slide Block
226J	18220	" " " " "
		Cap Screw
12424	18220	Oscillating Shaft Crank Slide Block
		Cap Screw Washer
1035C	18220	Oscillating Shaft Crank Slide Block Screw Stud
1636E	18220	Oscillating Shaft Crank Slide Block Screw Stud Nut
24050	18220	Oscillating Shaft Crank Slide Block complete, Nos. 226J, 1035C, 12424 and 19448
*249890	-----	Pulley (loose) with 200584D
249891	18220	" " Ball Bearing
249892	18220	" " Bushing
200584D	18220	" " Grease Retaining Screw
249893	18220	Pulley (loose, ball bearing) complete, Nos. 249890 to 249892
249702	18220	Pulley (tight) with 454C
40025	18220	" " Pin (2)
454C	18220	" " Set Screw
262014	17942	Sewing Safety Lock
59D	17942	" " " Hinge Screw
249947	17942	" " " Pitman (front section)
249948	17942	Sewing Safety Lock Pitman (rear section)
350235D	17942	Sewing Safety Lock Pitman Hinge Screw (back)
766D	17942	Sewing Safety Lock Pitman Hinge Screw (front)
914F	17942	Sewing Safety Lock Pitman Screw
39541	17942	" " " " Washer
249949	17942	Sewing Safety Lock Pitman complete, Nos. 249947, 249948, two each 914F and 39541
23500	18200	Shuttle Bobbin
*62739	-----	" " Case
15141	18200	" " " Hinge Nos. 2973, 2974 and 15140
15140	18200	Shuttle Bobbin Case Latch
2973	18200	" " " " Lever
2974	18200	" " " " Fulcrum
		Pin

PARTS FOR MACHINE No. 79-104

No.	Plate	Name
2975	18200	Shuttle Bobbin Case Latch Spring
592E	18200	" " " " Stop Screw
39623	18200	" " " " Position Finger
2523	18200	" " " " "
		Rivet
249546	18200	Shuttle Bobbin Case Position Plate
399D	18200	" " " " " "
		Screw
40112	18200	Shuttle Bobbin Case complete, Nos. 591F, 592E, 2523, 2975, 15141, 15278, 39623 and 62739
40028	18200	Shuttle Body
40029	18200	" " 1-11/16 in. diam., Nos. 23500, 40028 and 40112
23505	18220	Shuttle Driver with 462AL
2269	18220	" " Pin
462AL	18220	" " Set Screw
249924	18200	" Race
39969	18200	" " Back
2532	18200	" " " Position Pin
2533	18200	" " " Spring
907E	18200	" " " " Screw
7326	18200	" " Cap
662D	18200	" " " Screw
249928	18200	" " Oil Packing (felt)
249926	18200	" " Plate
203E	18200	" " " Screw
249927	18200	" " Position Pin
249929	18200	Shuttle Race complete, Nos. 907E, 2533, 7326, 39969, 249546, 249924, 249926, two each 399D, 662D, 2532, 249927, 249928 and three 203E
145F	18200	Shuttle Race Screw (2)
591F	18200	" Tension Regulating Screw
15278	18200	" " Spring
249703	18229	Starting Lever
717C	18229	" " Adjusting Screw
1520J	18229	" " " " Nut
249704	18229	" " Bracket
8582	18229	" " " Dowel Pin (2)
123E	18229	" " " Screw
23511	18229	" " Rod
61C	18229	" " Hinge Screw
564C	18229	" " Screw Center
58384	18229	" " " " 564C with 1508R (2)
1508R	18229	Starting Lever Screw Center Nut
222616	18229	" " Spring
39675	18229	" " " Collar with two 191C
191C	18229	Starting Lever Spring Collar Set Screw
202005	18229	Starting Lever Spring Washer
124AL	18229	" " Stop Screw
1518J	18229	" " " " Nut

PARTS FOR MACHINE No. 79-104

No.	Plate	Name
249675	18225	Stitch Regulating Gear, 18 teeth
249677	18225	" " " 20 teeth
249679	18225	" " " 24 teeth
Note: No. 249679 is furnished with Machine unless another Stitch Regulating Gear is specified on order.		
249951	18225	Stitch Regulating Gear, 27 teeth
249682	18225	" " " 30 teeth
249725	18225	" " " 36 teeth
249727	18225	" " " 40 teeth
249744	18225	" " " 45 teeth
249952	18225	" " " 54 teeth
249953	18225	" " " 60 teeth
249923	17942	" " " Disengaging Lever
350337C	17942	Stitch Regulating Gear Disengaging Lever Hinge Screw
40144	17942	Stitch Regulating Gear Disengaging Slide
40145	17942	Stitch Regulating Gear Disengaging Slide Bracket
158E	17942	Stitch Regulating Gear Disengaging Slide Bracket Screw
95C	17942	Stitch Regulating Gear Disengaging Slide Operating Screw
99C	17942	Stitch Regulating Gear Disengaging Slide Screw (2)
262033	18257	Stitch Regulating Gear Guard
201721C	18225	" " " Guide and Lock Nut
249739	18225	Stitch Regulating Gear Pin
249912	18225	" " " Spring
249705	18229	Stop Cam with two 202330
249706	18229	" " " Gear
249707	18229	" " " Guard
164D	18229	" " " " Screw (2)
249708	18229	" " " Stud
200522C	18229	" " " " Screw
249741	18229	" " Interlocking Rod
249709	18229	" " " " Guide with 1070C
1070C	18229	Stop Cam Interlocking Rod Guide Set Screw
39988	18229	Stop Cam Interlocking Rod Guide Washer (rawhide)
21651	18229	Stop Cam Interlocking Rod Spring
913C	18229	" " " " " "
1638E	18229	Regulating Thumb Screw
202330	18229	Stop Cam Interlocking Rod Spring
249742	18229	Regulating Thumb Screw Nut
249943	18229	Stop Cam Oil Packing (wick)
200083D	18229	" " " Spring
871C	18229	" " " " Cover
		" " " " " Screw (3)
		" " " " Stop Screw

PARTS FOR MACHINE No. 79-104

No.	Plate	Name
249713	18229	Stop Cam Spring Stop Screw Block with 457AL
457AL	18229	Stop Cam Spring Stop Screw Block Set Screw
249922	18227	Stop Lever
50416C	18227	" " " Hinge Screw
2102	18259	Tension (side of arm) Disc
1560C	18259	" " " " " Regulating Thumb Nut
23519	18259	Tension (side of arm) Releaser with 200F
40033	18228	Tension (side of arm) Releaser Arm with 50128E
12538	18228	Tension (side of arm) Releaser Arm Pin
50128E	18228	Tension (side of arm) Releaser Arm Set Screw
40051	18228	Tension (side of arm) Releaser Lever with 641C
40082	18228	Tension (side of arm) Releaser Lever Lock Pin
1352C	18228	Tension (side of arm) Releaser Lever Lock Pin Screw Bushing
40053	18228	Tension (side of arm) Releaser Lever Lock Pin Spring
2117C	18228	Tension (side of arm) Releaser Lever Pin
641C	18228	Tension (side of arm) Releaser Lever Set Screw
249880	18228	Tension (side of arm) Releaser Lever Shaft
40067	18228	Tension (side of arm) Releaser Lever Shaft Bracket
966D	18228	Tension (side of arm) Releaser Lever Shaft Bracket Screw (3)
249843	18228	Tension (side of arm) Releaser Lever Spring
1241E	18228	Tension (side of arm) Releaser Lever Spring Screw Stud (2)
717C	18228	Tension (side of arm) Releaser Lever Stop Screw
1520J	18228	Tension (side of arm) Releaser Lever Stop Screw Nut
1469C	18229	Tension (side of arm) Releaser Lever Stop Screw Stud
200F	18259	Tension (side of arm) Releaser Set Screw
23520	18259	Tension (side of arm) Releaser Shaft
40034	18259	" " " " " " " "
		Crank
679C	18259	Tension (side of arm) Releaser Shaft Crank Ball Screw Stud
1520J	18259	Tension (side of arm) Releaser Shaft Crank Ball Screw Stud Nut
2269	18259	Tension (side of arm) Releaser Shaft Crank Pin
1043C	18259	Tension (side of arm) Screw Stud
350060C	18259	" " " " " " " "
		Set Screw

PARTS FOR MACHINE No. 79-104

No.	Plate	Name
8238	18259	Tension (side of arm) Spring
249999	18259	Tension (side of arm) complete, Nos. 1043C, 1560C, 823B, 39652, 39950 and two 2102
40035	18223	Thread (lower) Cutting Blade
40036	18223	" " " " Carrier with 40038
40037	18228	Thread (lower) Cutting Blade Carrier Lever
32C	18228	Thread (lower) Cutting Blade Carrier Lever Hinge Screw
249534	18228	Thread (lower) Cutting Blade Carrier Lever Spring
1241E	18228	Thread (lower) Cutting Blade Carrier Lever Spring Screw Stud (2)
435AL	18228	Thread (lower) Cutting Blade Carrier Lever Stop Screw
1520J	18228	Thread (lower) Cutting Blade Carrier Lever Stop Screw Nut
40038	18223	Thread (lower) Cutting Blade Carrier Stud
39646	18223	Thread (lower) Cutting Blade Friction Plate
228F	18223	Thread (lower) Cutting Blade Friction Plate Screw (2)
240D	18223	Thread (lower) Cutting Blade Screw (2)
249831	18228	Thread (lower) Cutting Lever
1351C	18228	" " " " Ball Screw
1520J	18228	Thread (lower) Cutting Lever Ball Screw Nut
249871	18228	Thread (lower) Cutting Lever Extension
350246C	18228	Thread (lower) Cutting Lever Extension Hinge Screw
1521E	18228	Thread (lower) Cutting Lever Extension Hinge Screw Nut
249916	18228	Thread (lower) Cutting Lever Extension Spring
996E	18228	Thread (lower) Cutting Lever Extension Spring Screw Stud
249845	18223	Thread (lower) Pull-off Finger
106C	18223	" " " " Guide Screw
1350C	18223	Thread (lower) Pull-off Finger Hinge Screw
249719	18221	Thread (upper) Clamping Blade
249720	18221	" " Cutting Blade
249826	18221	" " " " Connecting Rod
350265C	18221	Thread (upper) Cutting Blade Connecting Rod Hinge Screw
40123	18221	Thread (upper) Cutting Blade Connecting Rod Latch
40124	18221	Thread (upper) Cutting Blade Connecting Rod Latch Block with 237X

PARTS FOR MACHINE No. 79-104

No.	Plate	Name
2273	18221	Thread (upper) Cutting Blade Connecting Rod Latch Block Pin
40125	18221	Thread (upper) Cutting Blade Connecting Rod Latch Block Plate (adjustable)
217E	18221	Thread (upper) Cutting Blade Connecting Rod Latch Block Plate Screw
237X	18221	Thread (upper) Cutting Blade Connecting Rod Latch Block Set Screw
40045	18221	Thread (upper) Cutting Blade Connecting Rod Latch Block Washer (rawhide)
40126	18221	Thread (upper) Cutting Blade Connecting Rod Latch Block complete, Nos. 217E, 40124 and 40125
39861	18221	Thread (upper) Cutting Blade Connecting Rod Latch Hinge Bracket
39864	18221	Thread (upper) Cutting Blade Connecting Rod Latch Hinge Bracket Plate
201291B	18221	Thread (upper) Cutting Blade Connecting Rod Latch Hinge Bracket Plate Screw
201296D	18221	Thread (upper) Cutting Blade Connecting Rod Latch Hinge Bracket Screw
7071	18221	Thread (upper) Cutting Blade Connecting Rod Latch Hinge Bracket Screw Washer
201289C	18221	Thread (upper) Cutting Blade Connecting Rod Latch Hinge Screw
40127	18228	Thread (upper) Cutting Blade Connecting Rod Latch Lifting Arm
249989	18228	Thread (upper) Cutting Blade Connecting Rod Latch Lifting Arm Spring
249878	18228	Thread (upper) Cutting Blade Connecting Rod Latch Lifting Arm Stud
1521E	18228	Thread (upper) Cutting Blade Connecting Rod Latch Lifting Arm Stud Nut
208495	18228	Thread (upper) Cutting Blade Connecting Rod Latch Lifting Arm Washer
249330	18228	Thread (upper) Cutting Blade Connecting Rod Latch Lifting Lever
249990	18228	Thread (upper) Cutting Blade Connecting Rod Latch Lifting Lever Adjusting Plate
206F	18228	Thread (upper) Cutting Blade Connecting Rod Latch Lifting Lever Adjusting Plate Screw (2)
250491	18228	Thread (upper) Cutting Blade Connecting Rod Latch Lifting Lever Adjusting Plate Screw Washer
350287C	18228	Thread (upper) Cutting Blade Connecting Rod Latch Lifting Lever Screw
39541	18228	Thread (upper) Cutting Blade Connecting Rod Latch Lifting Lever Screw Washer
39862	18221	Thread (upper) Cutting Blade Connecting Rod Latch Spring

No.	Plate	Name
233D	18221	Thread (upper) Cutting Blade Connecting Rod Latch Spring Screw
23606	18221	Thread (upper) Cutting Blade Connecting Rod Spring
249879	18221	Thread (upper) Cutting Blade Connecting Rod Spring Bracket
40047	18221	Thread (upper) Cutting Blade Connecting Rod Spring Collar with 646F
646F	18221	Thread (upper) Cutting Blade Connecting Rod Spring Collar Set Screw
219F	18221	Thread (upper) Cutting Blade Screw
249827	18221	" " " " Shaft
249828	18221	" " " " "
		Crank with 906C
232105	18221	Thread (upper) Cutting Blade Shaft Crank Pin
906C	18221	Thread (upper) Cutting Blade Shaft Crank Set Screw
249873	18228	Thread (upper) Cutting Lock (lower section)
249874	18228	Thread (upper) Cutting Lock (upper section)
90C	18228	Thread (upper) Cutting Lock Hinge Screw
203E	18228	Thread (upper) Cutting Lock Screw
249875	18228	Thread (upper) Cutting Lock complete, Nos. 249873, 249874 and two 203E
249779	18221	Thread (upper) End Cutting Block with 175E (adjustable)
175E	18221	Thread (upper) End Cutting Block Set Screw
249780	17942	Thread (upper) End Cutting Lever
249781	17942	" " " " "
		Bracket
690E	17942	Thread (upper) End Cutting Lever Bracket Screw
50416C	17942	Thread (upper) End Cutting Lever Hinge Screw
249882	17942	Thread (upper) End Cutting Lever Link
201431C	17942	Thread (upper) End Cutting Lever Link Hinge Screw (2)
249782	18257	Thread (upper) End Cutting Lever Operating Cam (adjustable) with 249784
40128	18257	Thread (upper) End Cutting Lever Operating Cam Position Collar with 450C and 453AL
450C	18257	Thread (upper) End Cutting Lever Operating Cam Position Collar Position Screw
453AL	18257	Thread (upper) End Cutting Lever Operating Cam Position Collar Set Screw
249784	18257	Thread (upper) End Cutting Lever Operating Cam Position Pin

No.	Plate	Name
249785	18257	Thread (upper) End Cutting Lever Operating Cam Spring
249786	17942	Thread (upper) End Cutting Lever Operating Lever
50416C	17942	Thread (upper) End Cutting Lever Operating Lever Hinge Screw
262032	17942	Thread (upper) End Cutting Lever Spring
237X	17942	Thread (upper) End Cutting Lever Spring Screw
23669	18259	Thread Guard (side of arm) (lower)
1019C	18259	" " " " " " Set Screw
249692	18259	Thread (upper) Guide
228D	18259	" " " Screw (2)
249693	18260	" Leader
1620J	18260	" " Nut (2)
12400	18260	" Retainer Sleeve
39713	18260	" " Spring
12402	18260	" " Stud
460AL	18260	" " " Set Screw
23523	18230	" Take-up Crank
1036AL	18220	" " " Position Screw
1258AL	18220	" " " Set Screw
23524	18230	" " Lever
12166	18230	" " " Hinge Pin
23543	18230	" " " Link
249915	18230	" " " " Hinge Pin
		with 222598
222598	18230	Thread Take-up Lever Link Hinge Pin Oil Packing (wick)
435AL	18230	Thread Take-up Lever Link Hinge Pin Set Screw
4784	18230	Thread Take-up Lever Oil Pad
23525	18230	Thread Take-up Lever complete, Nos. 12166, 23524 and 23543
39652	18259	Thread Take-up Spring
39950	18259	" " " Regulator with 350060C
446C	18259	Thread Take-up Spring Regulator Set Screw

ACCESSORIES

No.	Plate	
40129	18233	Gauge, for setting length of tack, with 200137H and 249789
249789	18233	Gauge Chain and Ring
200137H	18233	" " " " Screw
40013	18233	Guide
1238F	18233	" Screw
71 x 1	-----	Needles, three each, sizes 16 and 18
23527	18234	Drip Pan with two wood screws 1/2 in., No. 5, R H.B
120346	18233	Oiler (copper plated) with 120347
120347	18233	" Spout, 8-1/2 in. long
259477	18233	Screw Driver, 5 in. long
11831	18233	" " 5 in. blade (machine, large)
228476	18233	Screw Driver, Bobbin Case
249746	18233	" " for Needle Bar Connecting Stud Set Screw
23500	18200	Shuttle Bobbin (5)
249677	18225	Stitch Regulating Gear, 20 teeth
249682	18225	" " " 30 teeth
249727	18225	" " " 40 teeth
40035	18223	Thread (lower) Cutting Blade
249719	18221	" (upper) Clamping Blade
249720	18221	" " Cutting Blade
255513	18233	Tweezers
21654	18233	Wrench
23535	18233	Wrench
249820	18233	Wrench
249945	18233	Wrench
255540	18233	Wrench
255541	18233	Wrench

SINGER Needles should be used
in **SINGER** Machines
These Needles and their Containers
are marked with the
Company's Trade Mark "SIMANCO.**" 1

Needles in Containers marked
"FOR SINGER MACHINES"
are NOT **SINGER** made needles. 2

BED EXTENSION

No.	Plate	Name
40062	18243	Plate with 436C
	436C	Set Screw
40063	18243	Shaft
	436C	" Set Screw
40064	18243	Stand with 436C
40065	18243	Bed Extension complete, Nos. 40062 to 40064 and three wood screws 1-1/4 in., No. 12, R.H.B. (2)

BOBBIN WINDER

(SWINGING AUTOMATIC, RIGHT HAND)

249714	18262	Base with 27916 and two 28084
15072	18262	Bobbin Position Pin
27916	18262	Brake (leather)
28084	18262	" Rivet
249715	18262	Frame
50356D	18262	" Hinge Screw
1620J	18262	" " " Nut
249716	18262	" Spring
27918	18262	Pulley
*27849	18262	Spindle
27538	18262	" 27849 with 15072, 27850 and 41828
*27950	18262	Spindle Collar
41828	18262	" " Pin
249938	18262	Stop Latch
35D	18262	" " Hinge Screw
10249	18262	" " Spring
203E	18262	" " " Screw
7071	18262	" " " " Washer
262034	18262	Tension Bracket with 452C
249885	18262	Tension Bracket complete, Nos. 5989, 10145, 27922 and 262034
2455	18262	Tension Disc
1562J	18262	" Regulating Thumb Nut
418D	18262	" Screw Stud
10141	18262	" Spring
10145	18262	" Thread Guide
5989	18262	Tension complete, Nos. 418D, 1562J, 10141 and two 2455
27922	18262	Thread Eyelet Rod
452C	18262	" " " Set Screw
249939	18262	Bobbin Winder complete, Nos. 35D, 203E, 1620J, 7071, 10249, 27538, 27918, 50356D, 249714 to 249716 and 249938

DRIVING EQUIPMENT

No.	Plate	Name
228320	18261	Bed Frame Cushion (felt)
228330	18261	Clamp Lifting Chain, 46 in. long, with 39575 and 39576.
39571	18261	Clamp Lifting Chain Guide Pulley
236849	18261	" " " " "
		Bracket
1064D	18261	Clamp Lifting Chain Guide Pulley Hinge Screw
236850	18261	Clamp Lifting Chain Guide Pulley Bracket complete, Nos. 1064D, 39571, 236849 and two wood screws 1-1/4 in., No. 12, R.H.B.
39575	18261	Clamp Lifting Chain Hook (large)
39576	18261	" " " " (small)
23551	18261	" " " " Screw Eye
250408	18261	Machine Rest (high) with 232982 and two wood screws 1 in., No. 12
232982	18261	Machine Rest Cushion (leather)
228347	18261	Starting Chain (lower) 10-1/2 in. long
228348	18261	" " (upper) 27 in. long
228333	18261	" " Cushion Spring
39575	18261	" " Hook (large)
39576	18261	" " " (small)
228349	18261	Starting Chain complete, Nos. 228333, 228347, 228348, two each 39575 and 39576
228494	18261	Starting Chain Guide Pulley
236849	18261	" " " " Bracket
1064D	18261	" " " " Hinge Screw
228495	18261	Starting Chain Guide Pulley Bracket complete, Nos. 1064D, 228494, 236849 and two wood screws 1-1/4 in., No. 12, R.H.B.
228500	18261	Table Extension with two wood screws 2-1/2 in., No. 12
14372	18261	Treadle
51088R	18261	" Bolt
67425	18261	" " Lock Washer
23250	18261	" " Washer
14373	18261	" Extension
50581R	18261	" " Screw
2718R	18261	" " Washer
17881	18261	" Shaft
14374	18261	" Spring
14375	18261	" Stand
14379	18261	Treadle complete, Nos. 2718R, 14372 to 14375, 17881, 50581R, two each 23250, 51088R and 67425

No.	Plate	Name
228496	18261	Driving Equipment complete, for Motor Drive (without use of belt idlers) for use with Table 205295 and Stand No. 46998, Nos. 228330, 228349, 228495, 228500, 250408, two each 14379, 23551, three 236850 and four 228320

IDLER PULLEY

150481	18234	Idler Pulley
249991	18234	" " Bracket with 200363AL, 201007C and 350453C
350453C	18234	Idler Pulley Bracket Position Screw
200363AL	18234	" " " Set Screw
249992	18234	Idler Pulley Bracket complete, Nos. 150496 and 249991
150482	18234	Idler Pulley Shaft
150483	18234	" " " Ball Bearing
150484	18234	" " " " Cover
150485	18234	" " " " " "
		Gasket (cork)
330R	18234	Idler Pulley Shaft Ball Bearing Cover Screw
144D	18234	Idler Pulley Shaft Screw
201007C	18234	" " " Set Screw
150496	18234	Idler Pulley and Shaft complete, Nos. 144D, 150481 to 150485 and four 330R

IRON BASE

249993	18234	Bed Frame with two each 16555, 19398, four each 84E, 24106, six 14010 and four wood screws 1-1/4 in., No. 12
24106	18234	Bed Frame Cushion (felt)
84E	18234	" " " Screw
19226	18234	" " Hinge Connection
19398	18234	" " " " 19226 with 211E and 19397
19397	18234	Bed Frame Hinge Connection Cap
211E	18234	" " " " " Screw
16555	18234	" " " " Plate
14010	18234	" " " " Rivet
249722	18234	Splash Guard with 201655J
39912	18234	" " Hinge
200574E	18234	" " " Screw
201655J	18234	" " Locking Screw Wing Nut
249723	18234	Bed Frame and Splash Guard complete, Nos. 249722, 249993, two 39912 and eight 200574E

THREAD UNWINDER
FOR TWO SPOOLS

No.	Plate	Name
225257	17900	Spool Rest (for two spools) (flat) with 201018C
150203	17900	Spool Rest Cushion (felt)
225388	17900	" " Rod
200383C	17900	" " " Set Screw
201018C	17900	" " Set Screw
259658	17900	" Stand with 200383C
225391	17900	Thread Guide
201696H	17900	" " Lock Nut
225326	17900	" " Position Cup
225324	17900	" " Rod with 208AL and 225322
208AL	17900	" " " Screw
225322	17900	" " " Washer
225258	17900	Thread Unwinder (for two spools) complete, Nos. 201696H, 225257, 225324, 225326, 225388, 259658, two each 150203, 225391 and three wood screws 7/8 in., No. 12

MISCELLANEOUS PARTS
FOR MAKING SINGLE ROW TACKS WITH
STEP BY STEP STRAIGHT STITCHING

249802	18237	Feed Wheel with 249641 and two 220D
249919	18237	Shuttle Bobbin Case Hinge, Nos. 2974, 1514C and 249920
249920	18237	Shuttle Bobbin Case Latch Lever
23501	18237	" " " Position Finger
249921	18237	Shuttle Bobbin Case complete, Nos. 591F, 592E, 2523, 2975, 15098, 23501 and 249919
15098	18237	Shuttle Tension Spring

USED IN CONJUNCTION WITH THREAD UNWINDER

60913	17900	Spool Weight with 60914
60914	17900	" " Center Pin
225377	17900	" Wire, for small spools
27739	17900	Thread Cone (wood)
225390	17900	" " Holder

NUMERICAL LIST OF PARTS

No.	Plate	Name
32C	18228	Thread (lower) Cutting Blade Carrier Lever Hinge Screw
35D	18262	Bobbin Winder Stop Latch Hinge Screw, for 249939
41C	18228	Clamp Lifting Arm Connection Hinge Screw
52C	18227	Clamp Carrier Connecting Rod Hinge Screw
59D	17942	Sewing Safety Lock Hinge Screw
61C	18229	Starting Lever Rod Hinge Screw
84F	18234	Bed Frame Cushion Screw, for 249993
90D	17942	Feed Hand Ratchet Lever Pawl Hinge Screw, for 249914
90C	18228	Thread (upper) Cutting Lock Hinge Screw
95C	17942	Stitch Regulating Gear Disengaging Slide Operating Screw
99C	17942	Stitch Regulating Gear Disengaging Slide Screw
106C	18223	Thread (lower) Pull-off Finger Guide Screw
123E	18229	Starting Lever Bracket Screw
124AL	18229	" " Stop Screw
123F	18225	Needle Bar Frame Driving Gear (intermediate) Bracket Screw
135D	18262	Bobbin Winder Tension Bracket Screw
144D	18234	Idler Pulley Shaft Screw, for 150496
145F	18200	Shuttle Race Screw
157F	18228	Clamp Lifting Arm Connection Roller and Screw Stud Bracket Screw
158E	17942	Belt Shifter Shaft Bracket Extension Screw
158F	17942	Stitch Regulating Gear Disengaging Slide Bracket Screw
160H	17942	Feed Hand Ratchet Lever Extension Handle Screw, for 249914
161D	18262	Bobbin Winder Base Screw
161D	18257	Feed Driving Gear (intermediate) Pinion Shaft Eccentric Bushing Position Plate Screw
161D	18225	Needle Vibrating Controlling Block Screw
164D	18229	Stop Cam Gear Guard Screw
175E	18221	Thread (upper) End Cutting Block Set Screw, for 249779
184E	18227	Feed Wheel Tripping Lever Stop Screw
190D	18260	Arm Side Cover Screw
190D	18260	" Top Cover Screw

NUMERICAL LIST OF PARTS

No.	Plate	Name
190D	18219	Face Plate Screw (upper)
190D	18227	Feed Wheel Tripping Lever Spring Screw
190C	18230	Needle Bar Frame Pitman Adjusting Screw, for 23611
190D	18220	Oscillating Shaft Bushing (front) Oil Tube Plate Screw
191D	17942	Belt Shifter Shaft Bracket Stop Screw
191C	17885	Clamp Arm Bracket Screw
191C	18229	Starting Lever Spring Collar Set Screw, for 39675
194C	17942	Clamp Lifting Arm Connection Lock Stop Plate Support End
196F	17885	Clamp Arm Hinge Block Pin Set Screw, for 39584
199D	18221	Clamp Lifting Arm Screw
200F	18259	Tension (side of arm) Releaser Set Screw, for 23519
203E	18262	Bobbin Winder Stop Latch Spring Screw, for 249939
203C	18227	Feed Wheel Tripping Lever Point Screw
203E	18200	Shuttle Race Plate Screw, for 249929
203E	18228	Thread (upper) Cutting Lock Screw, for 249875
206F	18228	Thread (upper) Cutting Blade Connecting Rod Latch Lifting Lever Adjusting Plate Screw
207F	17885	Clamp Arm Bracket Guide (right) Screw
208AL	18260	Needle Vibrating Shaft Guard Screw
208AL	17900	Thread Unwinder Thread Guide Rod Screw, for 225324
211E	18234	Bed Frame Hinge Connection Cap Screw, for 19398
212D	18221	Clamp Check Holder Hinge Cap Screw
217D	18219	Face Plate Screw (lower)
217E	18221	Thread (upper) Cutting Blade Connecting Rod Latch Block Plate Screw, for 40126
219F	17885	Clamp Arm Bracket Guide (left) Screw
219F	18221	Thread (upper) Cutting Blade Screw, for 40117
220D	18227	Feed Wheel Tripping Point Screw, for 40120 and 249802
223D	18225	Needle Vibrating Slide Operating Plate (adjustable) Screw
226J	18220	Oscillating Shaft Crank Slide Block Cap Screw, for 24050
228D	18225	Needle Vibrating Slide Operating Plate (stationary) Screw
228F	18223	Thread (lower) Cutting Blade Friction Plate Screw
228D	18259	Thread (upper) Guide Screw
229D	18228	Clamp Lifting Arm Connection Roller Cap Screw, for 1901
229D	18225	Intermittent Feed Wheel Driving Roller Cap Screw, for 351872
233D	18221	Thread (upper) Cutting Blade Connecting Rod Latch Spring Screw

NUMERICAL LIST OF PARTS

No.	Plate	Name
237X	17942	Belt Shifter Shaft Guide Collar Set Screw, for 249861
237X	18221	Clamp Check Holder Stop Plate Screw
237X	18221	Thread (upper) Cutting Blade Connecting Rod Latch Block Set Screw, for 40124
237X	17942	Thread (upper) End Cutting Lever Spring Screw
240D	18227	Clamp Carrier Regulator Stud Stop Screw, for 249623
240D	18223	Thread (lower) Cutting Blade Screw
303C	18230	Needle Bar Frame Screw Center (lower)
330R	18234	Idler Pulley Shaft Ball Bearing Cover Screw, for 150496
337B	18221	Clamp Check Clamping Section Screw, for 40117
337B	18221	Clamp Check Holder Adjusting Screw
399D	18200	Shuttle Bobbin Case Position Plate Screw, for 249929
402D	17885	Clamp Arm Screw
402D	17885	" Plate Support Screw
404D	18227	" Carrier Block Plate Screw, for 40006
404D	17885	Clamp Carrier Plate Screw (front)
418D	18262	Bobbin Winder Tension Screw Stud, for 5989
435AL	18220	Arm Shaft Flanged Bushing (back) Set Screw
435AL	18228	Thread (lower) Cutting Blade Carrier Lever Stop Screw
435AL	18230	Thread Take-up Lever Link Hinge Pin Set Screw
436C	18243	Bed Extension Set Screw, for 40062
436C	18243	" " Shaft Set Screw, for 40064
446C	18230	Needle Bar Frame Regulator Hinge Stud Set Screw
446C	18259	Thread Take-up Spring Regulator Set Screw
448AL	18257	Belt Shifter Trip Point Collar Set Screw, for 249869
448AL	18257	Feed Driving Gear Set Screw, for 40118
448AL	18220	Oscillating Rock Shaft Hinge Pin Set Screw
450C	18257	Thread (upper) End Cutting Lever Operating Cam Position Collar Position Screw, for 40128
452C	18262	Bobbin Winder Thread Eyelet Rod Set Screw, for 262034
452C	18225	Needle Vibrating Slide Stop Screw (adjustable) Set Screw, for 249611
453AL	18220	Intermittent Feed Wheel Driving Bevel Pinion Set Screw, for 249645
453AL	18257	Thread (upper) End Cutting Lever Operating Cam Position Collar Set Screw, for 40128

NUMERICAL LIST OF PARTS

No.	Plate	Name
454C	18220	Pulley (tight) Set Screw, for 249702
457E	18257	Feed Driving Gear (intermediate) Set Screw, for 249965
457AL	18229	Stop Cam Spring Stop Screw Block Set Screw, for 249713
460AL	18257	Feed Hand Ratchet Wheel Set Screw, for 39924
460AL	18260	Thread Retainer Stud Set Screw
462AL	18220	Shuttle Driver Set Screw, for 23505
564C	18229	Starting Lever Screw Center, for 58384
591F	18200	Shuttle Tension Regulating Screw, for 40112 and 249921
592E	18200	Shuttle Bobbin Case Latch Stop Screw, for 40112 and 249921
625F	17885	Clamp Arm Adjusting Screw
641C	18228	Tension (side of arm) Releaser Lever Set Screw, for 40051
646F	18227	Feed Wheel Tripping Lever Screw Stud
646F	18221	Thread (upper) Cutting Blade Connecting Rod Spring Collar Set Screw, for 40047
662D	18200	Shuttle Race Cap Screw, for 249929
673F	18230	Needle Bar Frame Screw Center (upper)
679C	18259	Tension (side of arm) Releaser Shaft Crank Ball Screw Stud
690D	18228	Clamp Lifting Arm Connection Lock Trip Lever Pinch Screw, for 249760
690E	17942	Thread (upper) End Cutting Lever Bracket Screw
704C	18228	Clamp Lifting Arm Connection Screw, for 249866
717C	18229	Starting Lever Adjusting Screw
717C	18228	Tension (side of arm) Releaser Lever Stop Screw
748E	18219	Arm Screw (back)
756E	18257	Belt Shifter Trip Point Screw, for 249869
756D	18223	Clamp Carrier Guide (left) Screw (long), for 39605
766D	17942	Sewing Safety Lock Pitman Hinge Screw (front)
794E	18230	Needle Bar Connecting Link Adjusting Screw, for 23476
858AL	18220	Needle Bar Crank Set Screw, for 23477
868E	18219	Arm Screw (front)
871C	18229	Stop Cam Spring Stop Screw
896E	18220	Crank Connecting Rod Cap Screw, for 24028
898C	18225	Needle Vibrating Slide Stop Screw (adjustable)
904F	18230	Needle Set Screw, for 39857
906C	18221	Thread (upper) Cutting Blade Shaft Crank Set Screw, for 249828
907E	18200	Shuttle Race Back Spring Screw, for 249929
908C	18220	Crank Connecting Rod Hinge Screw

NUMERICAL LIST OF PARTS

No.	Plate	Name
913C	18229	Stop Cam Interlocking Rod Spring Regulating Thumb Screw
914F	18223	Clamp Carrier Slide Guide Screw
914F	17942	Sewing Safety Lock Pitman Screw, for 249949
934X	18223	Clamp Carrier Stay Plate Screw, for 249751
940F	17942	Clamp Lifting Arm Connection Lock Hinge Screw
966D	18228	Tension (side of arm) Releaser Lever Shaft Bracket Screw
996E	18228	Thread (lower) Cutting Lever Extension Spring Screw Stud
1019C	18259	Thread Guard (side of arm) (lower) Set Screw
1021E	18230	Needle Bar Connecting Link Cap Screw
1034F	18260	Intermittent Feed Wheel Driving Roller Oiling Felt Holder Screw
1035C	18220	Oscillating Shaft Crank Slide Block Screw Stud, for 24050
1036AL	18220	Thread Take-up Crank Position Screw, for 23477
1038C	18230	Needle Bar Frame Regulator Adjusting Screw
1042C	18230	Needle Bar Frame Pitman Hinge Screw
1043C	18259	Tension (side of arm) Screw Stud, for 249999
1064D	18261	Clamp Lifting Chain Guide Pulley Hinge Screw, for 236850
1064D	18261	Starting Chain Guide Pulley Hinge Screw, for 228495
1065AL	18220	Needle Bar Crank Position Screw, for 23477
1069D	18220	Arm Shaft Screw
1070C	18229	Stop Cam Interlocking Rod Guide Set Screw, for 249709
1149AL	18225	Needle Bar Frame Driving Gear (intermediate) Stud Set Screw, for 249669
1230F	18223	Clamp Carrier Guide (right) Screw
1231F	17885	" " Plate Screw (back)
1232C	18227	" " Regulator Hinge Screw
1235F	18219	Bed Oil Guard Screw
1235F	18223	Clamp Plate Screw
1238F	18233	Guide Screw
1241E	18228	Tension (side of arm) Releaser Lever Spring Screw Stud
1241E	18228	Thread (lower) Cutting Blade Carrier Lever Spring Screw Stud
1253C	18220	Oscillating Shaft Crank Set Screw, for 39658
1258AL	18220	Thread Take-up Crank Set Screw, for 23477
1294C	17885	Clamp Spring Bushing Position Stud
1296AL	18221	" Check Screw
1296AL	18221	" " Stop Screw

NUMERICAL LIST OF PARTS

No.	Plate	Name
1341C	18230	Needle Bar Connecting Stud Set Screw, for 39601
1345D	18223	Clamp Carrier Guide (left) Screw (short), for 39605
1346D	18223	Clamp Carrier Slide Screw
1350C	18223	Thread (lower) Pull-off Finger Hinge Screw
1351C	18228	Thread (lower) Cutting Lever Ball Screw
1352C	18228	Tension (side of arm) Releaser Lever Lock Pin Screw Bushing
1396E	18225	Intermittent Feed Wheel Driving Bevel Gear Bracket Screw
1449H	17942	Feed Hand Ratchet Lever Pawl Spring Screw, for 249914
1469C	18229	Tension (side of arm) Releaser Lever Stop Screw Stud
1508R	18229	Starting Lever Screw Center Nut, for 58384
1517J	18230	Needle Bar Frame Screw Center (upper) Nut
1518J	18229	Starting Lever Stop Screw Nut
1520J	18227	Clamp Carrier Regulator Roller and Screw Stud Nut, for 1960
1520J	18228	Clamp Lifting Arm Connection Hinge Screw Nut
1520J	18229	Starting Lever Adjusting Screw Nut
1520J	18228	Tension (side of arm) Releaser Lever Stop Screw Nut
1520J	18259	Tension (side of arm) Releaser Shaft Crank Ball Screw Stud Nut
1520J	18228	Thread (lower) Cutting Blade Carrier Lever Stop Screw Nut
1520J	18228	Thread (lower) Cutting Lever Ball Screw Nut
1521E	18228	Thread (lower) Cutting Lever Extension Hinge Screw Nut
1521E	18228	Thread (upper) Cutting Blade Connecting Rod Latch Lifting Arm Stud Nut
1547J	17885	Clamp Arm Adjusting Screw Nut
1547J	18230	Needle Bar Frame Pitman Hinge Screw Nut
1550J	17885	Clamp Spring Bushing Position Stud Nut
1560C	18259	Tension (side of arm) Regulating Thumb Nut, for 249999
1562J	18262	Bobbin Winder Tension Regulating Thumb Nut, for 5989
1607E	18225	Needle Vibrating Slide Operating Plate Adjusting Screw Nut
1608C	18230	Needle Bar Frame Screw Center (lower) Nut
1619E	18220	Crank Connecting Rod Hinge Screw Nut
1620J	18262	Bobbin Winder Frame Hinge Screw Nut, for 249939
1620E	18227	Feed Wheel Tripping Lever Hinge Screw Nut

NUMERICAL LIST OF PARTS

No.	Plate	Name
1620J	18260	Thread Leader Nut
1636E	18220	Oscillating Shaft Crank Slide Block Screw Stud Nut, for 39658
1638E	18229	Stop Cam Interlocking Rod Spring Regulating Thumb Screw Nut
1651J	18230	Needle Bar Frame Connection Hinge Screw Lock Nut
1659C	17885	Clamp Pressure Regulating Thumb Nut
1671C	18227	" Carrier Regulator Stud Nut
1698C	18230	Needle Bar Frame Regulator Adjusting Screw Nut
1901	18228	Clamp Lifting Arm Connection Roller and Screw Stud with 229D and 12424
1960	18227	Clamp Carrier Regulator Roller and Screw Stud with 1520J, for 249623
2102	18259	Tension (side of arm) Disc, for 249999
2117C	18228	" " " " Releaser Lever Pin
2269	17942	Belt Shifter Shaft Guide Collar Position Pin
2269	18220	Shuttle Driver Pin
2269	18259	Tension (side of arm) Releaser Shaft Crank Pin
2273	18221	Thread (upper) Cutting Blade Connecting Rod Latch Block Pin
2455	18262	Bobbin Winder Tension Disc, for 5989
2523	18200	Shuttle Bobbin Case Position Finger Rivet, for 40112 and 249921
2532	18200	Shuttle Race Back Position Pin, for 249929
2533	18200	Shuttle Race Back Spring, for 249929
2718R	18261	Treadle Extension Washer, for 14379
2973	18200	Shuttle Bobbin Case Latch Lever, for 15141
2974	18200	Shuttle Bobbin Case Latch Lever Fulcrum Pin, for 15141 and 249919
2975	18200	Shuttle Bobbin Case Latch Spring, for 40112 and 249921
3012	18257	Feed Hand Ratchet Wheel Pin
4784	18220	Oscillating Rock Shaft Oil Pad, for 39654
4784	18230	Thread Take-up Lever Oil Pad, for 23478
5989	18262	Bobbin Winder Tension complete, Nos. 418D, 1562J, 10141 and two 2455, for 249885
7070	18230	Needle Bar Frame Regulator Adjusting Screw Sleeve
7071	18262	Bobbin Winder Stop Latch Spring Screw Washer, for 249939
7071	18230	Needle Bar Frame Pitman Adjusting Screw Washer, for 23611
7071	18221	Thread (upper) Cutting Blade Connecting Rod Latch Hinge Bracket Screw Washer

NUMERICAL LIST OF PARTS

No.	Plate	Name
7326	18200	Shuttle Race Cap, for 249929
8238	18259	Tension (side of arm) Spring, for 249999
8582	18219	Arm Dowel Pin
8582	18229	Starting Lever Bracket Dowel Pin
8800	18225	Needle Vibrating Controlling Block Screw Washer
10141	18262	Bobbin Winder Tension Spring, for 5989
10145	18262	" " " Thread Guide, for 249885
10249	18262	Bobbin Winder Stop Latch Spring, for 249939
11831	18233	Screw Driver, 5 in. blade (machine, large)
12166	18230	Thread Take-up Lever Hinge Pin, for 23525
12400	18260	Thread Retainer Sleeve
12402	18260	" " Stud
12424	18228	Clamp Lifting Arm Connection Roller Cap Screw Washer, for 1901
12424	18220	Oscillating Shaft Crank Slide Block Cap Screw Washer, for 24050
12538	18228	Tension (side of arm) Releaser Arm Pin
12546	18225	Intermittent Feed Wheel Position Pin, for 249946
12546	18225	Needle Vibrating Gear Position Pin, for 249946
14010	18234	Bed Frame Hinge Plate Rivet, for 249993 Nos. 14372 to 14375, for 14379
14372	18261	Treadle
14373	18261	" Extension
14374	18261	" Spring
14375	18261	" Stand
14379	18261	Treadle complete, Nos. 2718R, 14372 to 14375, 17881, 50581R, two each 23250, 51088R and 67425, for 228496
15072	18262	Bobbin Winder Bobbin Position Pin, for 27538
15098	18237	Shuttle Tension Spring, for 249921
15140	18200	Shuttle Bobbin Case Latch, for 15141 and 249919
15141	18200	Shuttle Bobbin Case Hinge Nos. 2973, 2974 and 15140, for 40112
15278	18200	Shuttle Tension Spring, for 40112
16555	18234	Bed Frame Hinge Plate, for 249993
17881	18261	Treadle Shaft, for 14379
19226	18234	Bed Frame Hinge Connection, for 19398
19397	18234	" " " " Cap, for 19398
19398	18234	Bed Frame Hinge Connection 19226 with 211E and 19397, for 249993
19448	18220	Oscillating Shaft Crank Slide Block, for 24050
21651	18229	Stop Cam Interlocking Rod Spring
21654	18233	Wrench

NUMERICAL LIST OF PARTS

No.	Plate	Name
23250	18261	Treadle Bolt Washer, for 14379
23379	17885	Clamp Arm Hinge Block
23380	17885	" " " " Pin
23384	18227	" Carrier Connecting Rod
23389	18225	Intermittent Feed Wheel Driving Roller Cap Screw Washer, for 351872
23390	18228	Clamp Lifting Arm Connection Screw Washer, for 249866
23392	18223	Clamp Carrier Slide Guide (left)
23393	18223	" " " " (right)
23404	17885	" Spring
23421	18220	Oscillating Rock Shaft Hinge Pin Oil Hole Plug (leather), for 23494
23435	18227	Feed Wheel Tripping Lever Spring
23476	18230	Needle Bar Connecting Link with 794E
23477	18220	" " Crank with 858AL, 1036AL, 1065AL and 1258AL
23478	18230	Needle Bar Frame with 4784
23494	18220	Oscillating Rock Shaft Hinge Pin with 23421, for 39654
23500	18200	Shuttle Bobbin, for 40029
23501	18237	" " Case Position Finger, for 249921
23505	18220	Shuttle Driver with 462AL
23511	18229	Starting Lever Rod
23519	18259	Tension (side of arm) Releaser with 200F
23520	18259	Tension (side of arm) Releaser Shaft
23523	18230	Thread Take-up Crank
23524	18230	" " Lever, for 23525
23525	18230	Thread Take-up Lever complete, Nos. 12166, 23524 and 23543
23527	18234	Drip Pan with two wood screws 1/2 in., No. 5, R.H.B.
23535	18233	Wrench
23543	18230	Thread Take-up Lever Link, for 23525
23551	18261	Clamp Lifting Chain Hook Screw Eye, for 228496
23554	18228	Belt Shifter Shaft Bracket Spring
23573	17885	Clamp Plate Support
23574	17885	" Post
23606	18221	Thread (upper) Cutting Blade Connecting Rod Spring
23609	18230	Needle Bar Frame Pitman (regulator end), for 23611
23610	18230	Needle Bar Frame Pitman (hinge screw end), for 23611
23611	18230	Needle Bar Frame Pitman (adjustable) complete, Nos. 23609, 23610, two each 190C and 7071
23669	18259	Thread Guard (side of arm) (lower)
23693	17885	Clamp Spring Bushing
24028	18220	Crank Connecting Rod with 24085 and two 896E
24047	18220	Oscillating Shaft Bushing (front)
24050	18220	Oscillating Shaft Crank Slide Block complete, Nos. 226J, 1035C, 12424 and 19448, for 39658

NUMERICAL LIST OF PARTS

No.	Plate	Name
*24081	-----	Arm Shaft Bushing (front), for 249601
*24085	-----	Crank Connecting Rod Cap, for 24028
24106	18234	Bed Frame Cushion (felt), for 249933
27538	18262	Bobbin Winder Spindle 27849 with 15072, 27850 and 41828, for 249939
27739	17900	Thread Unwinder Thread Cone (wood)
*27849	18262	Bobbin Winder Spindle, for 27538
*27850	18262	" " " Collar, for 27538
27916	18262	" " Brake (leather), for 249714
27918	18262	Bobbin Winder Pulley, for 249939
27922	18262	" " Thread Eyelet Rod, for 249885
28084	18262	Bobbin Winder Brake Rivet, for 249714
39504	18230	Needle Bar Frame Regulator Adjusting Screw Washer
39532	18227	Clamp Carrier Regulator Stud Sleeve
39541	17885	" Arm Bracket Screw Washer
39541	18228	" Lifting Arm Connection Roller and Screw Stud Bracket Screw Washer
39541	17942	Sewing Safety Lock Pitman Screw Washer, for 249949
39541	18228	Thread (upper) Cutting Blade Connect- ing Rod Latch Lifting Lever Screw Washer
39571	18261	Clamp Lifting Chain Guide Pulley, for 236850
39575	18261	Clamp Lifting Chain Hook (large), for 228330
39575	18261	Starting Chain Hook (large), for 228349
39576	18261	Clamp Lifting Chain Hook (small), for 228330
39576	18261	Starting Chain Hook (small), for 228349
39583	18227	Clamp Carrier Regulator Stud Stop, for 249623
39584	17885	Clamp Arm Bracket with 196F
39591	18223	" Carrier Guide (left), for 39605
39601	18230	Needle Bar Connecting Stud with 1341C
39605	18223	Clamp Carrier Slide with 1345D, 39591 and two 756D
39620	18260	Arm Side Cover
39623	18200	Shuttle Bobbin Case Position Finger, for 40112
39645	18223	Clamp Carrier Guide (right)
39646	18223	Thread (lower) Cutting Blade Friction Plate
39647	18221	Clamp Arm
39650	18221	" Check Holder
39652	18259	Thread Take-up Spring, for 249999
39653	18220	Oscillating Rock Shaft, for 39654
39654	18220	Oscillating Rock Shaft complete, Nos. 4784, 23494 and 39653
39655	18220	Oscillating Shaft
39656	18220	" " Bushing (back)
39657	18220	" " Crank, for 39658
39658	18220	Oscillating Shaft Crank complete, Nos. 1636E, 24050, 39657 and two 1253C

NUMERICAL LIST OF PARTS

No.	Plate	Name
39675	18229	Starting Lever Spring Collar with two 191C
39713	18260	Thread Retainer Spring
39715	18221	Clamp Check Holder Stop Plate
39857	18230	Needle Bar with 904F
39861	18221	Thread (upper) Cutting Blade Connect- ing Rod Latch Hinge Bracket
39862	18221	Thread (upper) Cutting Blade Connect- ing Rod Latch Spring
39864	18221	Thread (upper) Cutting Blade Connect- ing Rod Latch Hinge Bracket Plate
39882	17942	Belt Shifter Stop Washer (rawhide)
39912	18234	Splash Guard Hinge, for 249723
39924	18257	Feed Hand Ratchet Wheel with 460AL
39950	18259	Thread Take-up Spring Regulator with 350060C, for 249999
39969	18200	Shuttle Race Back, for 249929
39988	18229	Stop Cam Interlocking Rod Guide Washer (rawhide)
40003	17885	Clamp Arm Bracket Guide (left)
40004	17885	" " " " (right)
40006	18227	" Carrier Block with 40007 and four 404D
40007	18227	Clamp Carrier Block Plate, for 40006
40013	18233	Guide
40016	18228	Clamp Lifting Arm Connection Roller and Screw Stud Bracket
40020	17885	Clamp Plate
40025	18257	Feed Driving Gear Position Pin
40025	18220	Intermittent Feed Wheel Driving Bevel Pinion Position Pin
40025	18220	Pulley (tight) Pin
40028	18200	Shuttle Body, for 40029
40029	18200	" 1-11/16 in. diam., Nos. 23500, 40028 and 40112
40033	18228	Tension (side of arm) Releaser Arm with 50128E
40034	18259	Tension (side of arm) Releaser Shaft Crank
40035	18223	Thread (lower) Cutting Blade
40036	18223	" " " " Carrier with 40038
40037	18228	Thread (lower) Cutting Blade Carrier Lever
40038	18223	Thread (lower) Cutting Blade Carrier, Stud, for 40036
40045	18221	Thread (upper) Cutting Blade Connect- ing Rod Latch Block Washer (rawhide)
40047	18221	Thread (upper) Cutting Blade Connect- ing Rod Spring Collar with 646F
40051	18228	Tension (side of arm) Releaser Lever with 641C
40052	18228	Tension (side of arm) Releaser Lever Lock Pin
40053	18228	Tension (side of arm) Releaser Lever Lock Pin Spring

NUMERICAL LIST OF PARTS

No.	Plate	Name
		Nos. 40062 to 40064, for 40065
40062	18243	Bed Extension Plate with 436C
40063	18243	" " Shaft
40064	18243	" " Stand with 436C
40065	18243	Bed Extension complete, Nos. 40062 to 40064 and three wood screws 1-1/4 in., No. 12, R.H.B.
40067	18228	Tension (side of arm) Releaser Lever Shaft Bracket
40112	18200	Shuttle Bobbin Case complete, Nos. 591F, 592E, 2523, 2975, 15141, 15278, 39623 and 62739, for 40029
40115	18221	Clamp Check Clamping Section (left), for 40117
40116	18221	Clamp Check Clamping Section (right), for 40117
40117	18221	Clamp Check complete, Nos. 219F, 40115, 40116, 232105, 249626, 249719, 249720, 249827, 249828, 249840, 350298D and four 337B
40118	18257	Feed Driving Gear with two 448AL
40120	18227	" Wheel with 249641 and two 220D
40121	18223	Needle Plate
40122	18225	" Vibrating Controlling Block
40123	18221	Thread (upper) Cutting Blade Connecting Rod Latch
40124	18221	Thread (upper) Cutting Blade Connecting Rod Latch Block with 237X, for 40126
40125	18221	Thread (upper) Cutting Blade Connecting Rod Latch Block Plate (adjustable), for 40126
40126	18221	Thread (upper) Cutting Blade Connecting Rod Latch Block complete, Nos. 217E, 40124 and 40125
40127	18228	Thread (upper) Cutting Blade Connecting Rod Latch Lifting Arm
40128	18257	Thread (upper) End Cutting Lever Operating Cam Position Collar with 450C and 453AL
40129	18233	Gauge, for setting length of tack, with 200137H and 249789
40139	18257	Belt Shifter Trip Point Collar 249869 less 175E and 23466
40140	18257	Feed Wheel Shaft
40141	18257	" Driving Gear (intermediate) (large), for stud
40142	17942	Feed Driving Gear (intermediate) Bracket Position Lever
40143	18257	Feed Driving Gear (intermediate) Pinion Shaft
40144	17942	Stitch Regulating Gear Disengaging Slide
40145	17942	Stitch Regulating Gear Disengaging Slide Bracket
41828	18262	Bobbin Winder Spindle Collar Pin, for 27538

NUMERICAL LIST OF PARTS

No.	Plate	Name
50120E	18228	Tension (side of arm) Releaser Arm Set Screw, for 40033
50130F	18221	Clamp Check Section and Cutting Plate Screw, for 249626
50356D	18262	Bobbin Winder Frame Hinge Screw, for 249939
50416C	18227	Stop Lever Hinge Screw
50416C	17942	Thread (upper) End Cutting Lever Hinge Screw
50416C	17942	Thread (upper) End Cutting Lever Operating Lever Hinge Screw
50581R	18261	Treadle Extension Screw, for 14379
51047E	17942	Belt Shifter Shaft Bracket Extension Pinch Screw, for 249858
51088R	18261	Treadle Bolt, for 14379
58384	18229	Starting Lever Screw Center 564C with 1508R
60913	17900	Thread Unwinder Spool Weight with 60914
60914	17900	Thread Unwinder Spool Weight Center Pin, for 60913
*62739	-----	Shuttle Bobbin Case, for 40112
67425	18261	Treadle Bolt Lock Washer, for 14379
120346	18233	Oiler (copper plated) with 120347
120347	18233	" Spout, 8-1/2 in. long, for 120346
150203	17900	Thread Unwinder Spool Rest Cushion (felt), for 225258
		Nos. 150481 to 150485, for 150496
150481	18234	Idler Pulley
150482	18234	" " Shaft
150483	18234	" " " Ball Bearing
150484	18234	" " " " " Cover
150485	18234	" " " " " "
		Gasket (cork)
150496	18234	Idler Pulley and Shaft complete, Nos. 144D, 150481 to 150485 and four 330R, for 249992
200068H	18225	Needle Bar Frame Driving Gear Screw
200083D	18229	Stop Cam Spring Cover Screw
200137H	18233	Gauge Chain and Ring Screw, for 40129
200363AL	18234	Idler Pulley Bracket Set Screw, for 249991
200383C	17900	Thread Unwinder Spool Rest Rod Set Screw, for 259658
200522C	18229	Stop Cam Gear Stud Screw
200574E	18234	Splash Guard Hinge Screw, for 249723
200584D	18220	Pulley (loose) Grease Retaining Screw, for 249890
201007C	18234	Idler Pulley Shaft Set Screw, for 249991
201018C	17900	Thread Unwinder Spool Rest Set Screw, for 225257
201210C	18227	Clamp Carrier Regulator Stud (to regulate length of tack)
201289C	18221	Thread (upper) Cutting Blade Connecting Rod Latch Hinge Screw

NUMERICAL LIST OF PARTS

No.	Plate	Name
201291B	18221	Thread (upper) Cutting Blade Connecting Rod Latch Hinge Bracket Plate Screw
201295E	17942	Clamp Lifting Arm Connection Lock Spring Screw Stud
201296D	18221	Thread (upper) Cutting Blade Connecting Rod Latch Hinge Bracket Screw
201431C	17942	Thread (upper) End Cutting Lever Link Hinge Screw
201655J	18234	Splash Guard Locking Screw Wing Nut, for 249722
201668E	18257	Feed Wheel Clamping Nut
201696H	17900	Thread Unwinder Thread Guide Lock Nut, for 225258
201713C	18225	Needle Vibrating Shaft Adjusting Lock Nut
201715C	18225	Needle Bar Frame Driving Gear (intermediate) Clamping Nut
201721C	18225	Stitch Regulating Gear Guide and Lock Nut
201891	18225	Intermittent Feed Wheel Driving Roller, for 351872
202005	18229	Starting Lever Spring Washer
202260	18220	Arm Shaft Bushing Oil Packing (wick)
202330	18229	Stop Cam Oil Packing (wick), for 249705
202423	18220	Crank Connecting Rod Hinge Screw Oiling Wick
208495	18228	Thread (upper) Cutting Blade Connecting Rod Latch Lifting Arm Washer
222598	18230	Thread Take-up Lever Link Hinge Pin Oil Packing (wick), for 249915
222616	18229	Starting Lever Spring
225257	17900	Thread Unwinder Spool Rest (for two spools) (flat) with 201018C, for 225258
225258	17900	Thread Unwinder (for two spools) complete, Nos. 201696H, 225257, 225324, 225326, 225388, 259658, two each 150203, 225391 and three wood screws 7/8 in., No. 12
225322	17900	Thread Unwinder Thread Guide Rod Washer, for 225324
225324	17900	Thread Unwinder Thread Guide Rod with 208AL and 225322, for 225258
225326	17900	Thread Unwinder Thread Guide Position Cup, for 225258
225377	17900	Thread Unwinder Spool Wire, for small spools
225388	17900	Thread Unwinder Spool Rest Rod, for 225258
225390	17900	Thread Unwinder Thread Cone Holder
225391	17900	" " " Guide, for 225258
228320	18261	Bed Frame Cushion (felt), for 228496

NUMERICAL LIST OF PARTS

No.	Plate	Name
228330	18261	Clamp Lifting Chain, 46 in. long, with 39575 and 39576, for 228496
228333	18261	Starting Chain Cushion Spring, for 228349
228347	18261	Starting Chain (lower) 10-1/2 in. long, for 228349
228348	18261	Starting Chain (upper) 27 in. long, for 228349
228349	18261	Starting Chain complete, Nos. 228333, 228347, 228348, two each 39575 and 39576, for 228496
228476	18233	Screw Driver, Bobbin Case
228494	18261	Starting Chain Guide Pulley, for 228495
228495	18261	Starting Chain Guide Pulley Bracket complete, Nos. 1064D, 228494, 236849 and two wood screws 1-1/4 in., No. 12, R.H.B., for 228496
228496	18261	Driving Equipment complete, for Motor Drive (without use of belt idlers) for use with Table 205295 and Stand No. 46998, Nos. 228330, 228349, 228495, 228500, 250408, two each 14379, 23551, three 236850 and four 228320
228500	18261	Table Extension with two wood screws 2-1/2 in., No. 12, for 228496
232065	17942	Clamp Lifting Arm Connection Lock Spring
232105	18221	Thread (upper) Cutting Blade Shaft Crank Pin, for 40117
232131	18257	Feed Driving Gear (intermediate) Swing Bracket Screw Washer
232382	17942	Feed Hand Ratchet Lever Pawl Spring Pin, for 249907
232719	18257	Feed Driving Gear (intermediate) Position Pin
232982	18261	Machine Rest Cushion (leather), for 250408
235356	18225	Needle Bar Frame Driving Gear (intermediate) Pin, for 249671
236849	18261	Clamp Lifting Chain Guide Pulley Bracket, for 236850
236849	18261	Starting Chain Guide Pulley Bracket, for 228495
236850	18261	Clamp Lifting Chain Guide Pulley Bracket complete, Nos. 1064D, 39571, 236849 and two wood screws 1-1/4 in., No. 12, R.H.B., for 228496
241206	18220	Arm Oil Cup
249534	18228	Thread (lower) Cutting Blade Carrier Lever Spring
249546	18200	Shuttle Bobbin Case Position Plate, for 249929
249588	18221	Clamp Lifting Arm
*249601	----	Arm with 24081
249602	18220	" Shaft
249604	18260	" Top Cover (left)

NUMERICAL LIST OF PARTS

No.	Plate	Name
249605	18260	Arm Top Cover (right)
249611	18225	Needle Vibrating Shaft with 452C
249612	18260	" " " Guard
249613	18225	" " " Slide
249614	18225	" " " Operating Plate (stationary)
249615	18225	Needle Vibrating Slide Operating Rod
249616	18225	" " " " " "
		Stud
*249620	-----	Bed
249622	18220	Arm Shaft Flanged Bushing (back)
249623	18227	Clamp Carrier Regulator with 240D, 1960 and 39583
249626	18221	Clamp Check with 249630, 350297E and two 50138F, for 3/8 to 7/8 in. tacks, for 40117
249630	18221	Clamp Check Section and Cutting Plate, for 249626
249631	18219	Face Plate
249640	18227	Feed Wheel Tripping Lever
249641	18227	" " " Point, for 40120 and 249802
*249642	18225	Intermittent Feed Wheel with two 350249E, for 249946
*249644	18225	Intermittent Feed Wheel Driving Bevel Gear Bracket, for 249944
249645	18220	Intermittent Feed Wheel Driving Bevel Pinion with two 453AL
*249646	18225	Intermittent Feed Wheel Shaft, for 249946
249666	18230	Needle Bar Frame Connection
249667	18225	" " " Driving Gear
249668	18230	" " " Regulator Hinge Stud
249669	18225	" " " Driving Gear (intermediate) Bracket with 1149AL
249670	18225	Needle Bar Frame Driving Gear (intermediate) Stud
249671	18225	Needle Bar Frame Driving Gear (intermediate) (large) with 235356
249672	18225	Needle Bar Frame Driving Gear (intermediate) (small)
249673	18230	Needle Bar Frame Regulator
*249674	18225	" Vibrating Gear with two 350249E, for 249946
249675	18225	Stitch Regulating Gear, 18 teeth
249677	18225	" " " 20 teeth
249679	18225	" " " 24 teeth
249682	18225	" " " 30 teeth
249692	18259	Thread (upper) Guide
249693	18260	" Leader
249702	18220	Pulley (tight) with 454C
249703	18229	Starting Lever
249704	18229	" " Bracket
249705	18229	Stop Cam with two 202330
249706	18229	" " Gear
249707	18229	" " " Guard

NUMERICAL LIST OF PARTS

No.	Plate	Name
249708	18229	Stop Cam Gear Stud
249709	18229	" " Interlocking Rod Guide with 1070C
249713	18229	Stop Cam Spring Stop Screw Block with 457AL
		Nos. 249714 to 249716, for 249939
249714	18262	Bobbin Winder Base with 27916 and two 28084
249715	18262	Bobbin Winder Frame
249716	18262	" " " Spring
249719	18221	Thread (upper) Clamping Blade, for 40117
249720	18221	Thread (upper) Cutting Blade, for 40117
249722	18234	Splash Guard with 201655J, for 249723
249723	18234	Bed Frame and Splash Guard complete, Nos. 249722, 249993, two 39912 and eight 200574E
249725	18225	Stitch Regulating Gear, 36 teeth
249727	18225	" " " 40 teeth
*249725	-----	Clamp Carrier Stay Plate, for 249751
249729	18225	Stitch Regulating Gear Pin
249740	18225	Needle Vibrating Slide Operating Plate (adjustable)
249741	18229	Stop Cam Interlocking Rod
249742	18229	" " Spring
249744	18225	Stitch Regulating Gear, 45 teeth
249746	18233	Screw Driver, for Needle Bar Connecting Stud Set Screw
249749	18221	Clamp Check Holder Adjusting Screw Friction Plate
249751	18223	Clamp Carrier with 249735 and two 934X
249753	17885	" " Plate
249759	18228	" Lifting Arm Connection (lower section), for 249866
249760	18228	Clamp Lifting Arm Connection Lock Trip Lever with 690D
249779	18221	Thread (upper) End Cutting Block with 175E (adjustable)
249780	17942	Thread (upper) End Cutting Lever
249781	17942	" " " " " Bracket
249782	18257	" " " " " " Operating Cam (adjustable) with 249784
249784	18257	Thread (upper) End Cutting Lever Operating Cam Position Pin, for 249782
249785	18257	Thread (upper) End Cutting Lever Operating Cam Spring
249786	17942	Thread (upper) End Cutting Lever Operating Lever
249789	18233	Gauge Chain and Ring, for 40129
249802	18237	Feed Wheel with 249641 and two 220D
249805	17942	Clamp Lifting Arm Connection Lock Stop Plate
249820	18233	Wrench
249826	18221	Thread (upper) Cutting Blade Connect- ing Rod

NUMERICAL LIST OF PARTS

No.	Plate	Name
249827	18221	Thread (upper) Cutting Blade Shaft, for 40117
249828	18221	Thread (upper) Cutting Blade Shaft Crank with 906C, for 40117
249831	18228	Thread (lower) Cutting Lever
249840	18221	Clamp Check Thread Clamping Pressure Spring, for 40117
249843	18228	Tension (side of arm) Releaser Lever Spring
249844	18257	Feed Driving Gear (intermediate) Pinion Shaft Eccentric Bushing Position Plate
249845	18223	Thread (lower) Pull-off Finger
249849	18257	Feed Driving Gear (intermediate) Pinion Shaft Eccentric Bushing
249853	17942	Belt Shifter with 350287C
249854	17942	" " Operating Collar with 350329C
249855	18229	Belt Shifter Operating Rod
249856	17942	" " Shaft
249857	17942	" " " Bracket
249858	17942	" " " Extension with 51047E
249860	17942	Belt Shifter Shaft Bracket Stop
249861	17942	" " " Guide Collar with 237X
249862	17942	Belt Shifter Shaft Spring
249863	18257	" " Trip Point, for 249669
249864	17942	" " Stud
249865	18228	Clamp Lifting Arm Connection (upper section), for 249866
249866	18228	Clamp Lifting Arm Connection complete, Nos. 704C, 23390, 249759 and 249865
249867	17942	Clamp Lifting Arm Connection Lock
249868	18227	Feed Wheel Tripping Lever Point
249869	-----	Belt Shifter Trip Point Collar with 175E, 756E, 23466, 249863 and two 448AL, for 40139
249871	18228	Thread (lower) Cutting Lever Extension
249873	18228	" (upper) Cutting Lock (lower section), for 249875
249874	18228	Thread (upper) Cutting Lock (upper section), for 249875
249875	18228	Thread (upper) Cutting Lock complete, Nos. 249873, 249874 and two 203E
249878	18228	Thread (upper) Cutting Blade Connecting Rod Latch Lifting Arm Stud
249879	18221	Thread (upper) Cutting Blade Connecting Rod Spring Bracket
249880	18228	Tension (side of arm) Releaser Lever Shaft
249882	17942	Thread (upper) End Cutting Lever Link
249883	18219	Bed Oil Guard Oil Tube (brass), for 249894
249885	18262	Bobbin Winder Tension Bracket complete, Nos. 5989, 10145, 27922 and 262034

NUMERICAL LIST OF PARTS

No.	Plate	Name
		Nos. 249890 to 249892, for 249893
*249890	-----	Pulley (loose) with 200584D
249891	18220	" " Ball Bearing
249892	18220	" " Bushing
249893	18220	Pulley (loose, ball bearing) complete, Nos. 249890 to 249892
249894	18219	Bed Oil Guard with 249883
249895	18219	Clamp Carrier Regulator Slide
		Nos. 249905 to 249907, for 249914
249905	17942	Feed Hand Ratchet Lever
249906	17942	" " " " Extension Handle
249907	17942	Feed Hand Ratchet Lever Pawl with 232382
249912	18225	Stitch Regulating Gear Spring
249914	17942	Feed Hand Ratchet Lever complete, Nos. 90D, 160H, 1449H, 249905 to 249907 and 250058
249915	18230	Thread Take-up Lever Link Hinge Pin with 222598
249916	18228	Thread (lower) Cutting Lever Extension Spring
249919	18237	Shuttle Bobbin Case Hinge, Nos. 2974, 15140 and 249920, for 249921
249920	18237	Shuttle Bobbin Case Latch Lever, for 249919
249921	18237	Shuttle Bobbin Case complete, Nos. 591F, 592E, 2523, 2975, 15098, 23501 and 249919
249922	18227	Stop Lever
249923	17942	Stitch Regulating Gear Disengaging Lever
249924	18200	Shuttle Race, for 249929
		Nos. 249926 to 249928, for 249929
249926	18200	Shuttle Race Plate
249927	18200	" " Position Pin
249928	18200	" " Oil Packing (felt)
249929	18200	Shuttle Race complete, Nos. 907E, 2533, 7326, 39969, 249546, 249924, 249926, two each 399D, 662D, 2532, 249927, 249928 and three 203E
249930	18228	Thread (upper) Cutting Blade Connecting Rod Latch Lifting Lever
249931	18220	Oscillating Shaft Bushing (front) Oil Tube (brass)
249932	18220	Oscillating Shaft Bushing (front) Oil Tube Support Plate
249933	18220	Crank Connecting Rod Hinge Screw Oil Tube (brass)
249934	18260	Intermittent Feed Wheel Driving Roller Oiling Felt
249935	18260	Intermittent Feed Wheel Driving Roller Oiling Felt Holder
*249936	18225	Intermittent Feed Wheel Driving Bevel Gear with two 351872, for 249944
249937	18225	Intermittent Feed Wheel Driving Roller Stud, for 351872

NUMERICAL LIST OF PARTS

No.	Plate	Name
249938	18262	Bobbin Winder Stop Latch, for 249939
249939	18262	Bobbin Winder complete, Nos. 35D, 203E, 1620J, 7071, 10249, 27538, 27918, 50356D, 249714 to 249716 and 249938
249943	18229	Stop Cam Spring Cover
249944	18225	Intermittent Feed Wheel Driving Bevel Gear Bracket 249644 with 249936 and 350230C
249945	18233	Wrench
249946	18225	Intermittent Feed Wheel Shaft 249646 with 249642, 249674 and two 12546
249947	17942	Sewing Safety Lock Pitman (front section), for 249949
249948	17942	Sewing Safety Lock Pitman (rear section), for 249949
249949	17942	Sewing Safety Lock Pitman complete, Nos. 249947, 249948, two each 914F and 39541
249951	18225	Stitch Regulating Gear, 27 teeth
249952	18225	" " " 54 teeth
249953	18225	" " " 60 teeth
249965	18257	Feed Driving Gear (intermediate) with two 457E
249967	18257	Feed Driving Gear (intermediate) (small), for stud
249968	18257	Feed Driving Gear (intermediate), for swing bracket
249969	18257	Feed Driving Gear (intermediate) Bracket
249971	18257	Feed Driving Gear (intermediate) Stud
249972	18257	" " " " Swing Bracket
249989	18228	Thread (upper) Cutting Blade Connecting Rod Latch Lifting Arm Spring
249990	18228	Thread (upper) Cutting Blade Connecting Rod Latch Lifting Lever Adjusting Plate
249991	18234	Idler Pulley Bracket with 200363AL, 201007C and 350453C, for 249992
249992	18234	Idler Pulley Bracket complete, Nos. 150496 and 249991
249993	18234	Bed Frame with two each 16555, 19398, four each 84E, 24106, six 14010 and four wood screws 1-1/4 in., No. 12, for 249723
249995	18257	Feed Driving Gear (intermediate) Pinion Shaft Collar with two 350462F
249999	18259	Tension (side of arm) complete, Nos. 1043C, 1560C, 8238, 39652, 39950 and two 2102
250058	17942	Feed Hand Ratchet Lever Pawl Spring, for 249914
250397	18225	Needle Bar Frame Driving Gear (intermediate) Bracket Position Pin
250408	18261	Machine Rest (high) with 232982 and two wood screws 1 in., No. 12, for 228496

NUMERICAL LIST OF PARTS

No.	Plate	Name
250444	18227	Feed Wheel Tripping Lever Screw Stud Washer
250451	18220	Oscillating Shaft Bushing (front) Oil Tube Plate
250491	18228	Thread (upper) Cutting Blade Connecting Rod Latch Lifting Lever Adjusting Plate Screw Washer
255513	18233	Tweezers
255540	18233	Wrench
255541	18233	Wrench
259477	18233	Screw Driver, 5 in. long
259658	17900	Thread Unwinder Spool Stand with 200383C, for 225258
262014	17942	Sewing Safety Lock
262032	17942	Thread (upper) End Cutting Lever Spring
262033	18257	Stitch Regulating Gear Guard
262034	18262	Bobbin Winder Tension Bracket with 452C, for 249885
350060C	18259	Tension (side of arm) Screw Stud Set Screw, for 39950
350230C	18225	Intermittent Feed Wheel Driving Bevel Gear Cap Screw, for 249944
350234D	18223	Needle Plate Screw
350235D	17942	Sewing Safety Lock Pitman Hinge Screw (back)
350237C	18227	Feed Wheel Tripping Lever Hinge Screw
350246C	18228	Thread (lower) Cutting Lever Extension Hinge Screw
350249E	18225	Intermittent Feed Wheel Position Screw, for 249642
350249E	18225	Needle Vibrating Gear Position Screw, for 249674
350251C	18230	Needle Bar Frame Connection Hinge Screw
350253C	18225	Needle Vibrating Slide Operating Plate Adjusting Screw
350254F	18230	Needle Bar Frame Connection Cap Screw
350265C	18221	Thread (upper) Cutting Blade Connecting Rod Hinge Screw
350287C	18229	Belt Shifter Operating Rod Set Screw
350287C	17942	" " Set Screw, for 249853
350287C	18228	Thread (upper) Cutting Blade Connecting Rod Latch Lifting Lever Screw
350288C	17942	Belt Shifter Shaft Bracket Hinge Screw
350297E	18221	Clamp Check Section and Cutting Plate Support Stud, for 249626
350298D	18221	Clamp Check Thread Clamping Pressure Spring Screw, for 40117
350310D	18257	Feed Driving Gear (intermediate) Swing Bracket Screw
350329C	17942	Belt Shifter Operating Collar Set Screw, for 249854

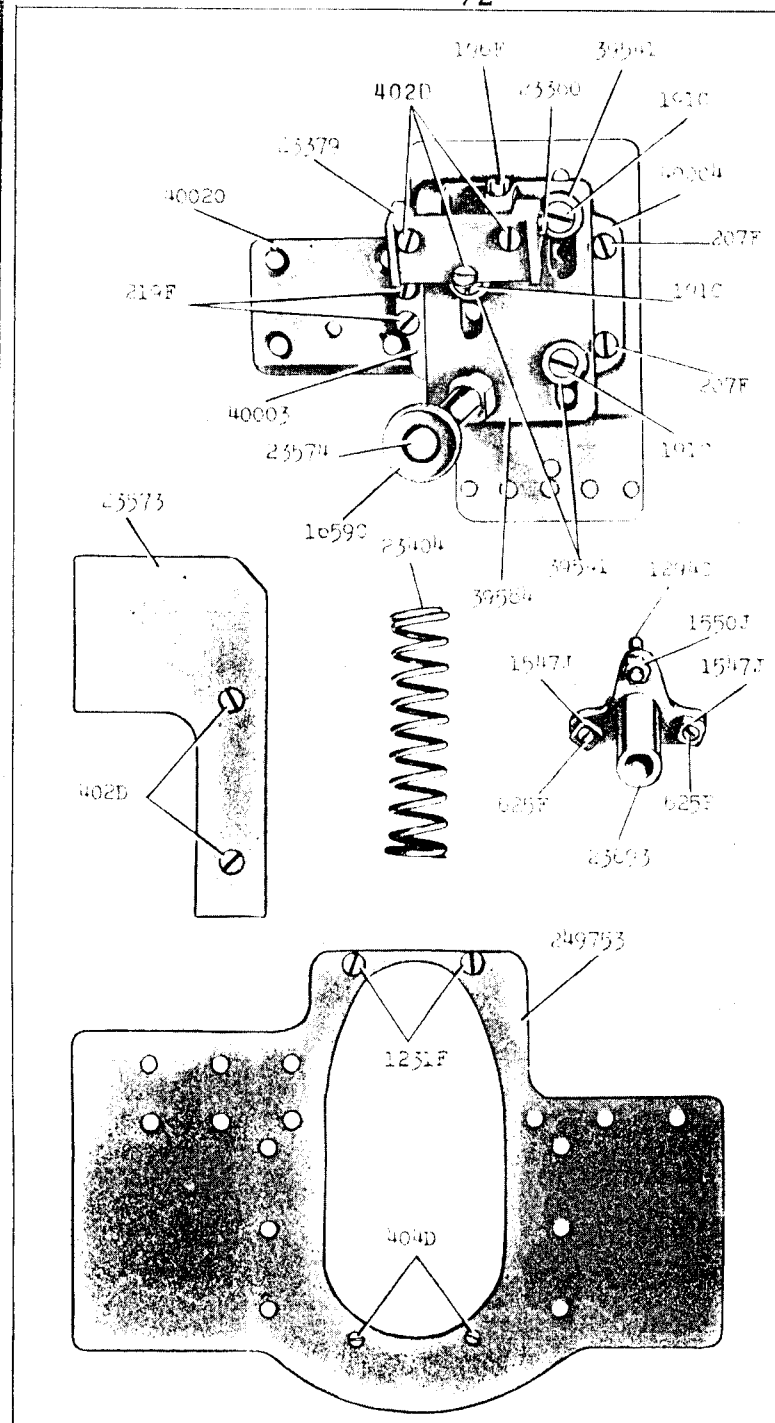
NUMERICAL LIST OF PARTS

No.	Plate	Name
350337C	17942	Stitch Regulating Gear Disengaging Lever Hinge Screw
350338E	18228	Belt Shifter Shaft Bracket Spring Screw Stud (lower)
350339E	17942	Belt Shifter Shaft Bracket Spring Screw Stud (upper)
350453C	18234	Idler Pulley Bracket Position Screw, for 249991
350462E	18257	Feed Driving Gear (Intermediate) Pinion Shaft Collar Set Screw, for 249995
350500C	18257	Feed Driving Gear (Intermediate) Bracket Position Lever Clamping Screw
351872	18225	Intermittent Feed Wheel Driving Roller 201891 with 229D, 23389 and 249937, for 249936

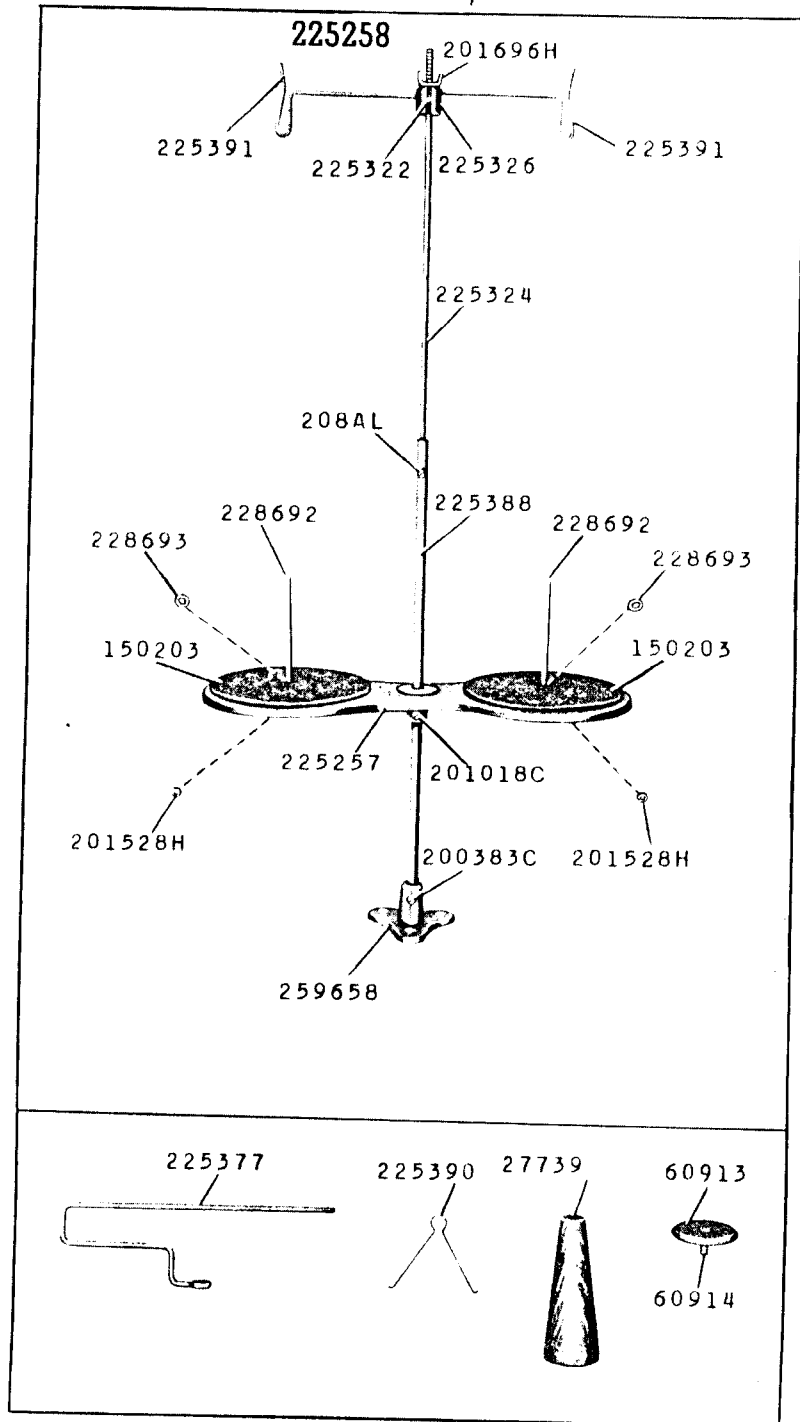
SINGER Needles should be used in **SINGER** Machines
These Needles and their Containers are marked with the Company's Trade Mark "SIMANCO.**" 1

Needles in Containers marked "FOR SINGER MACHINES" are NOT **SINGER** made needles. 2

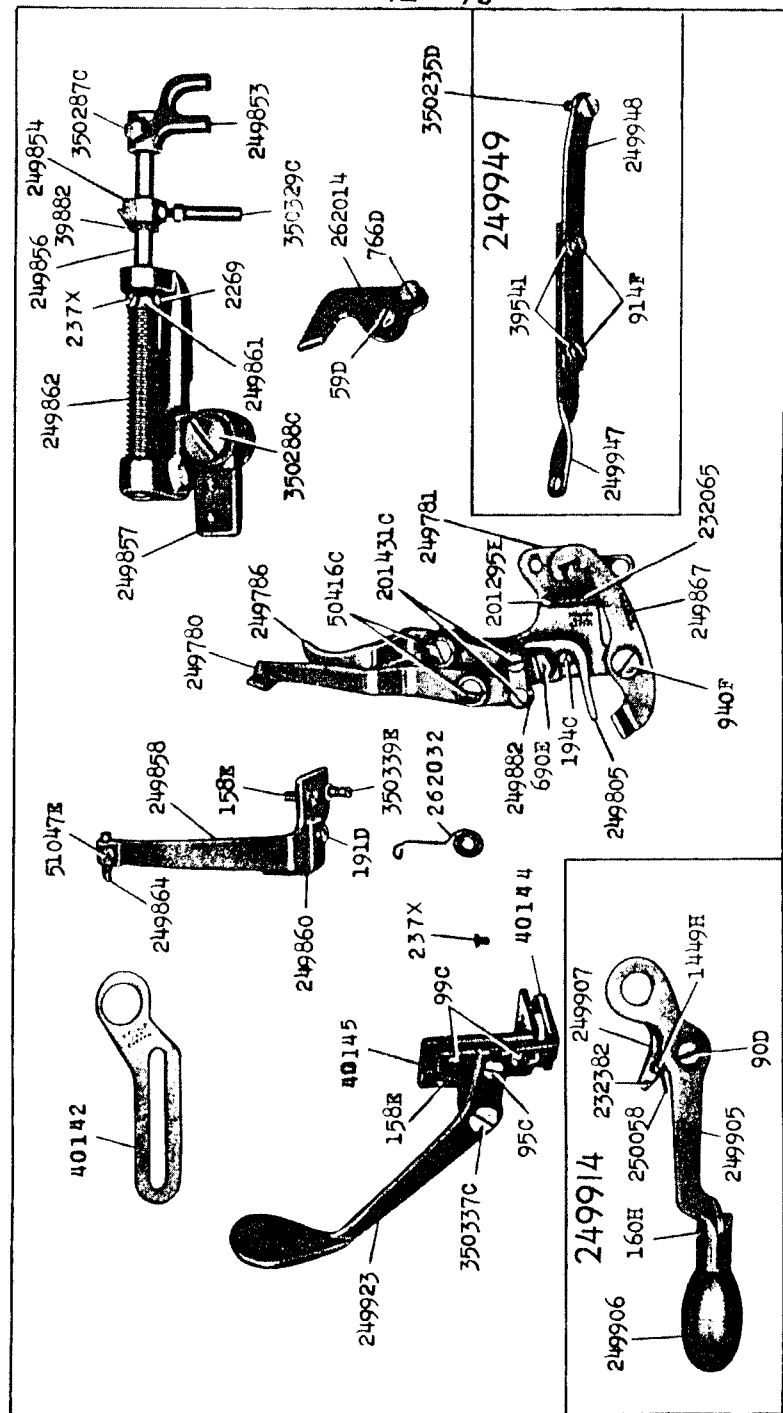
17885 - 1/2



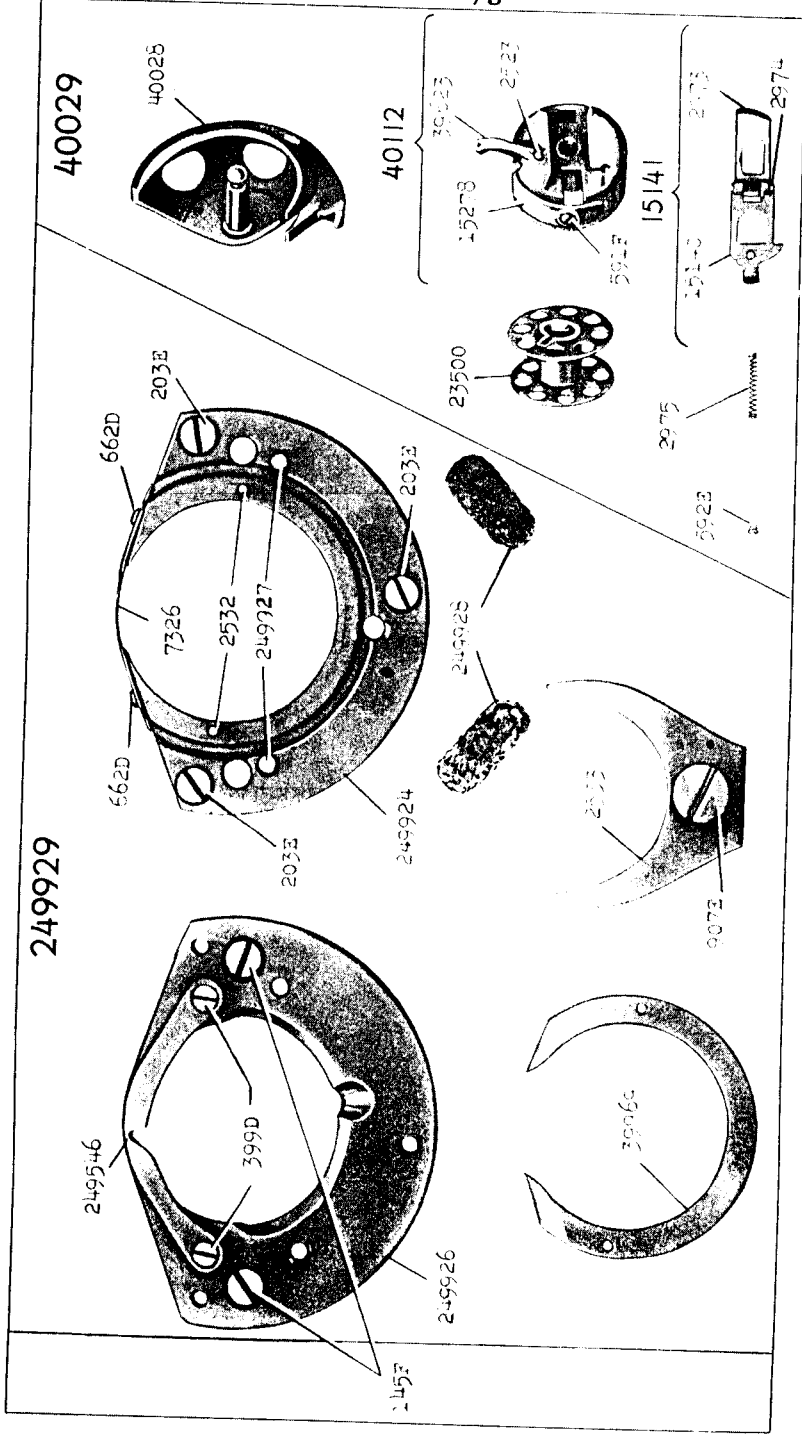
17900 - 1/6



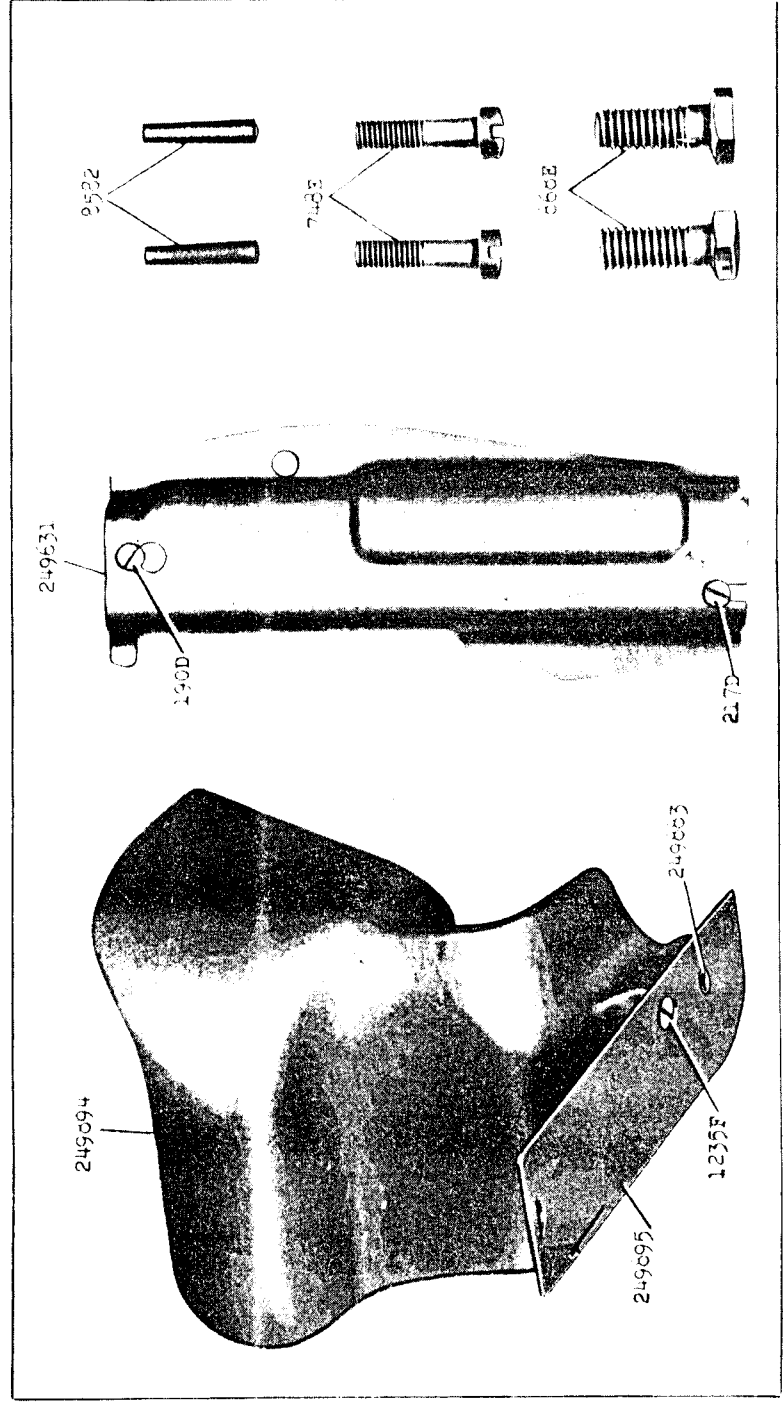
17942 - 1/3



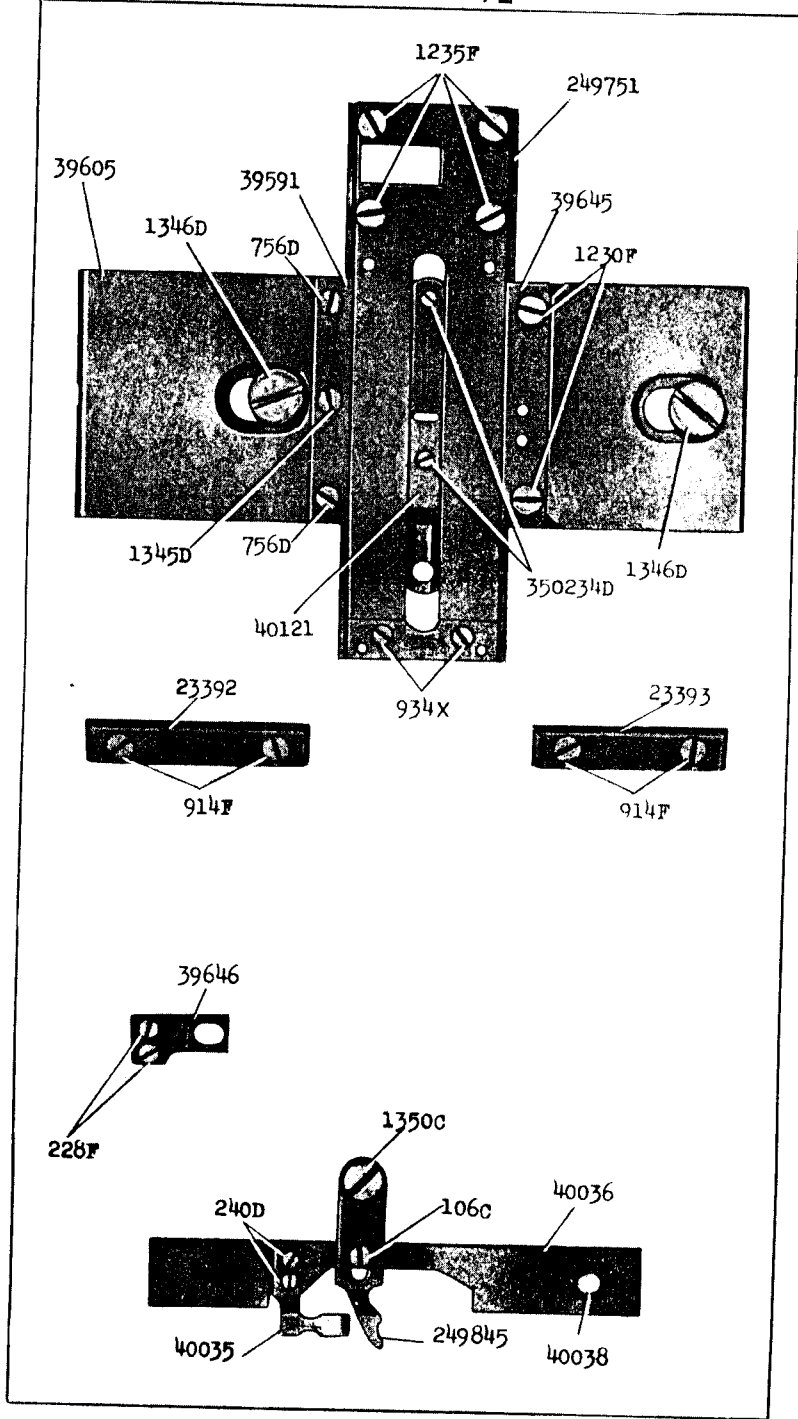
18200 - 2/3



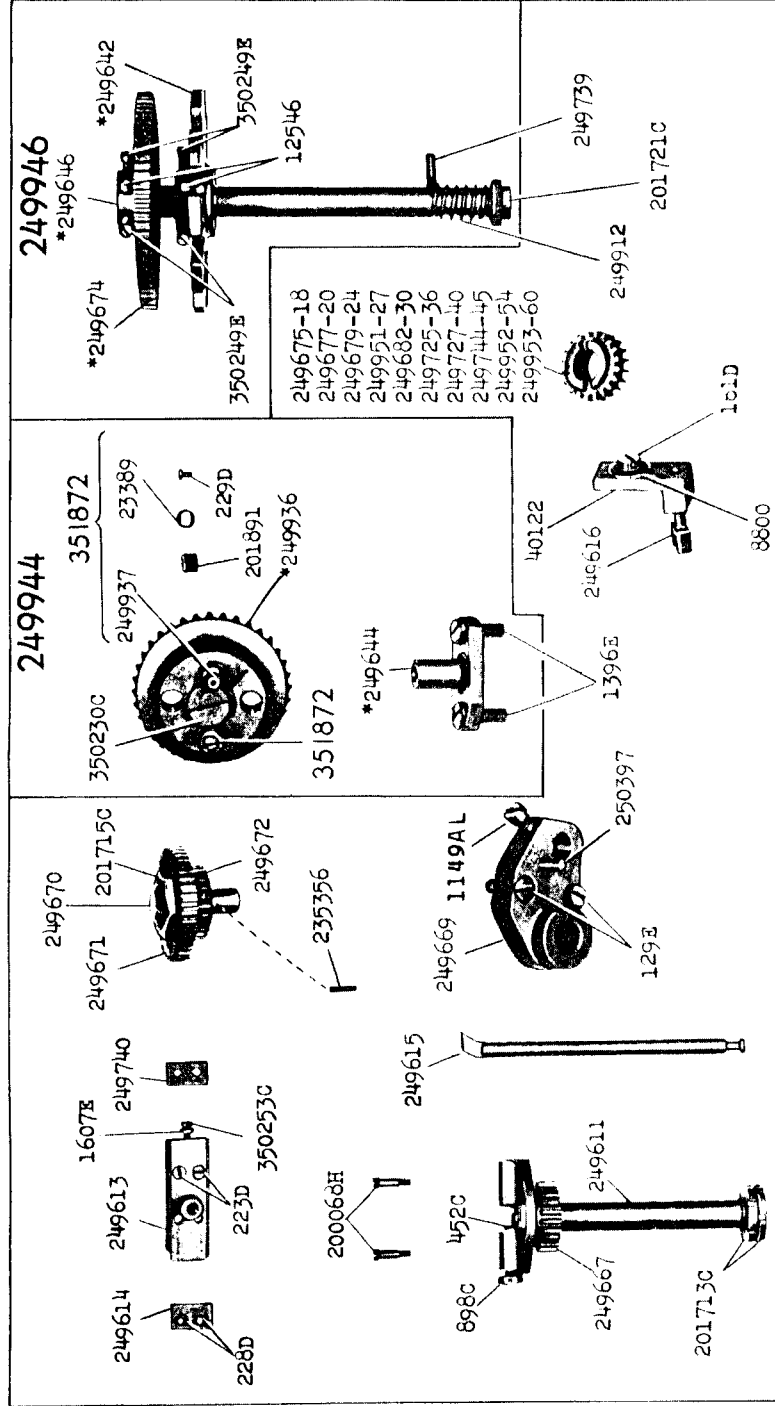
18219 - 1/2

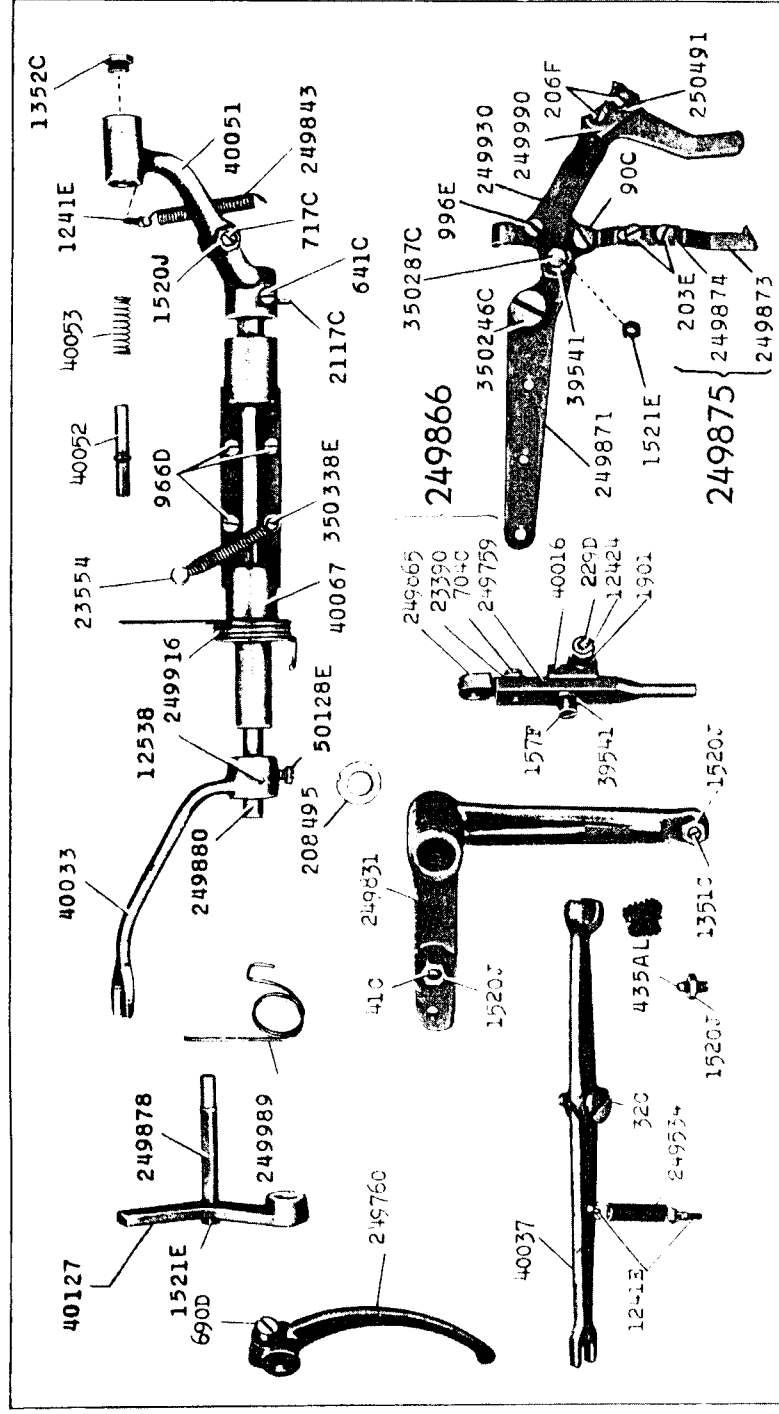
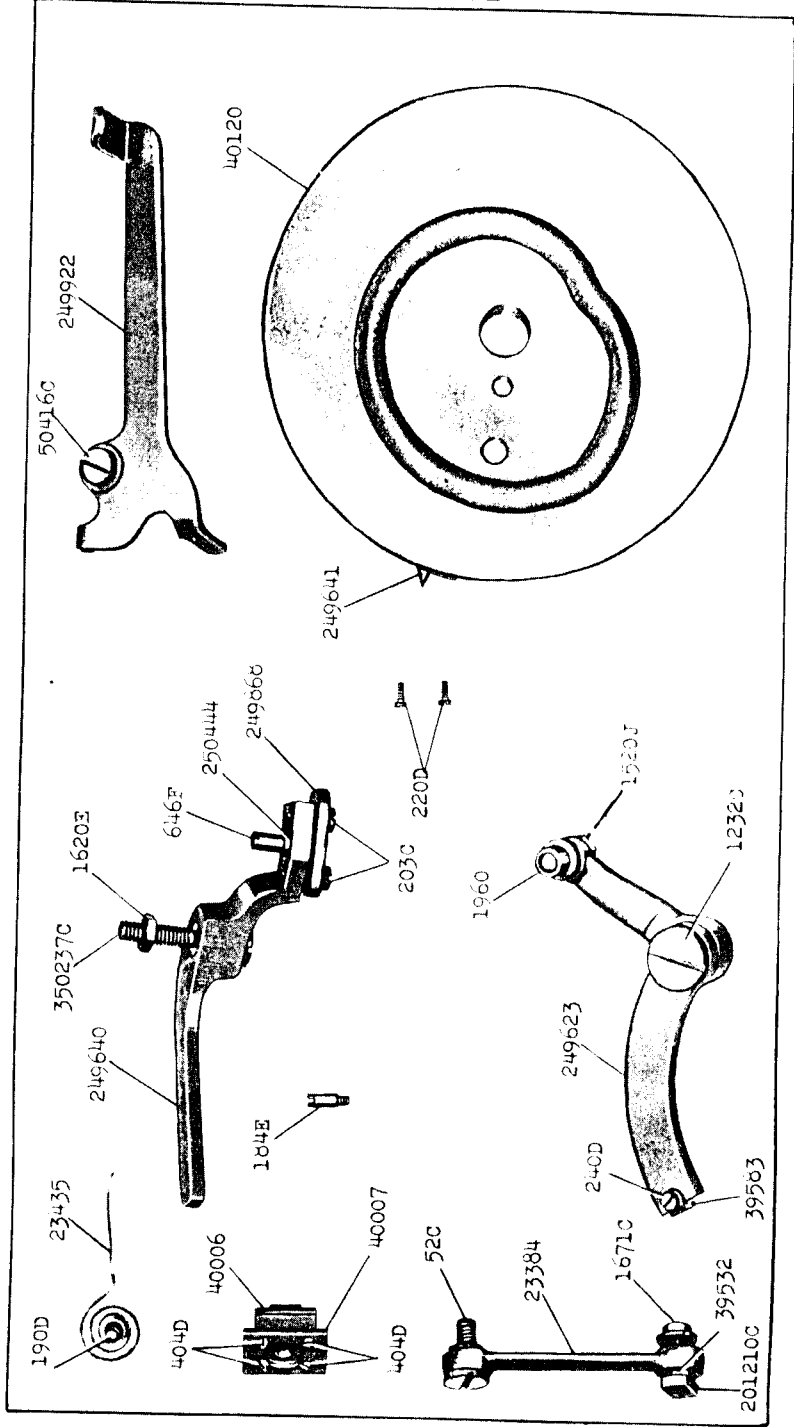


18223 - 1/2

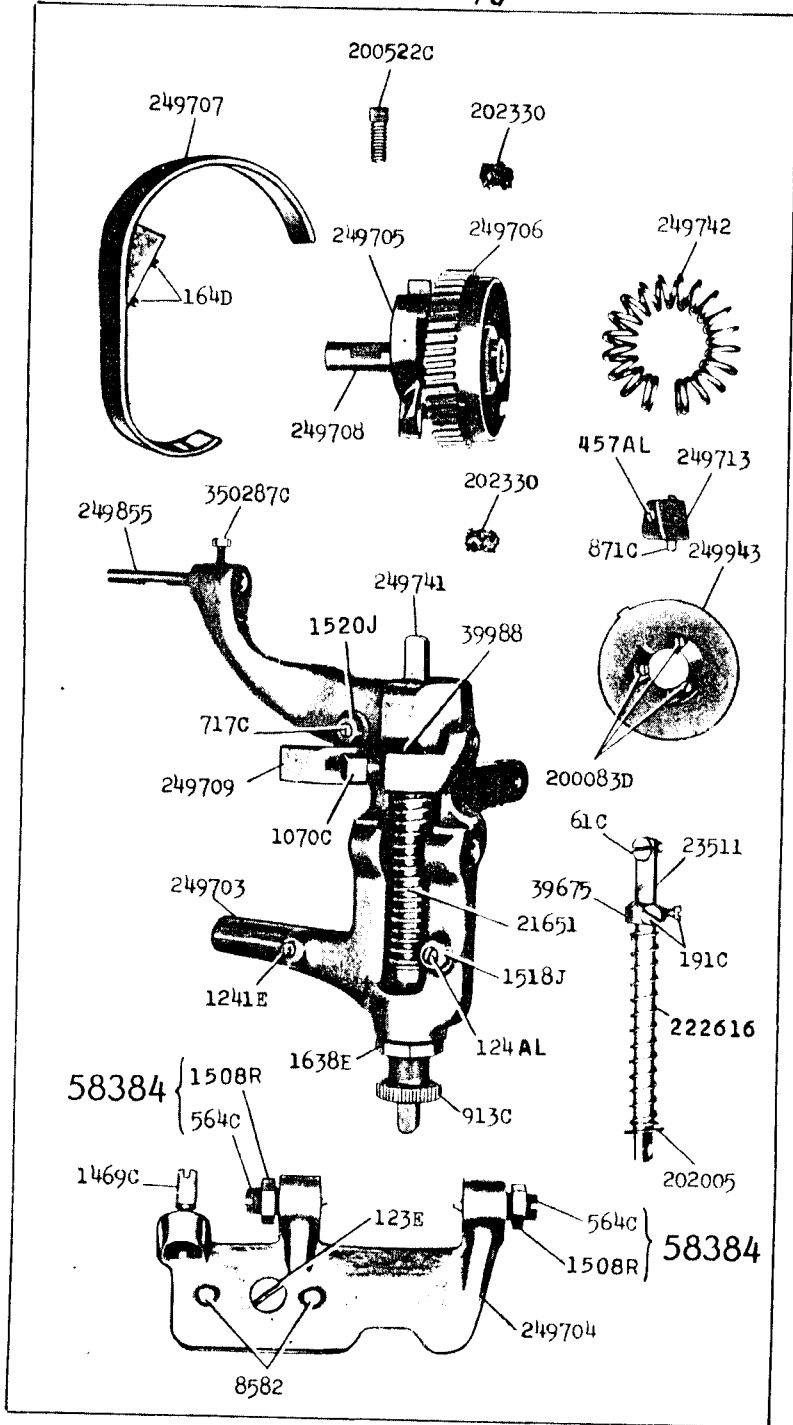


18225 - 1/3

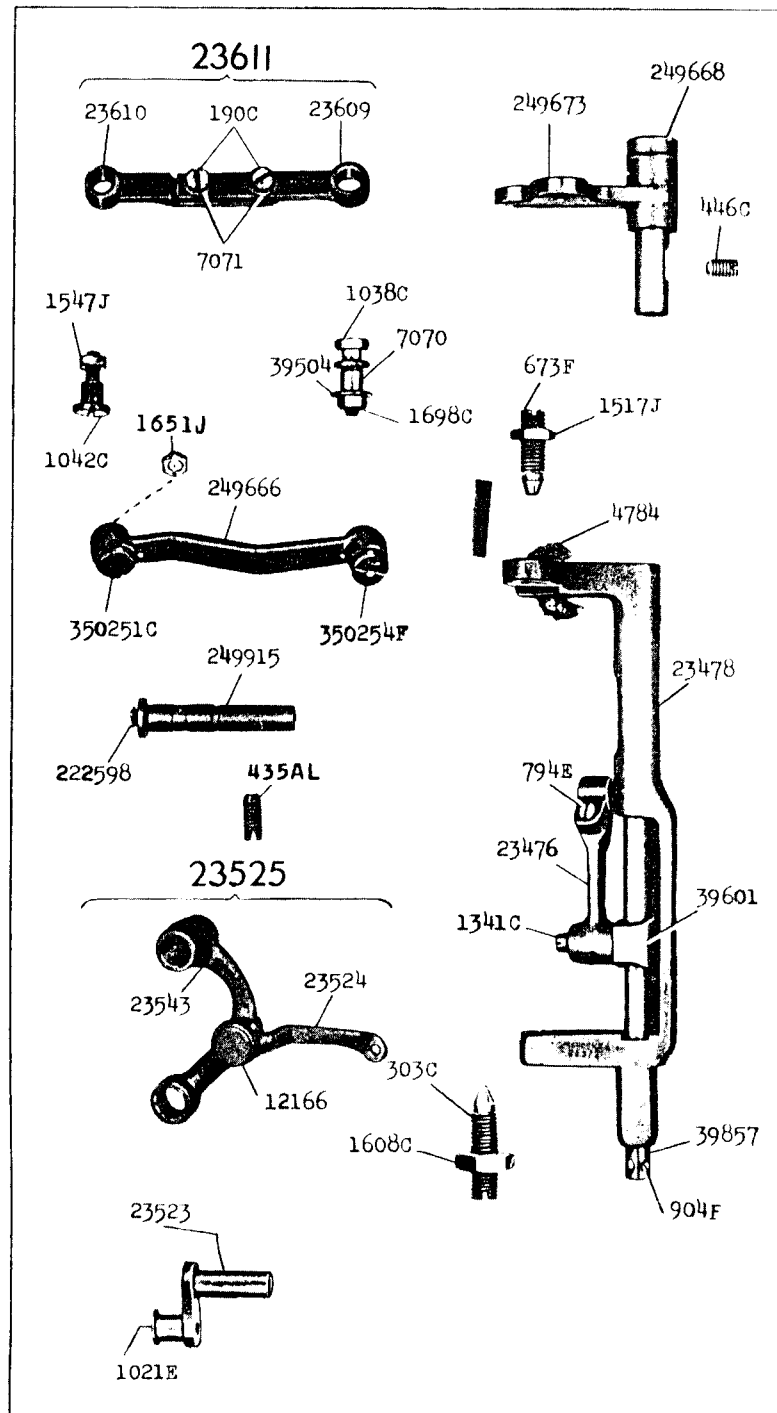




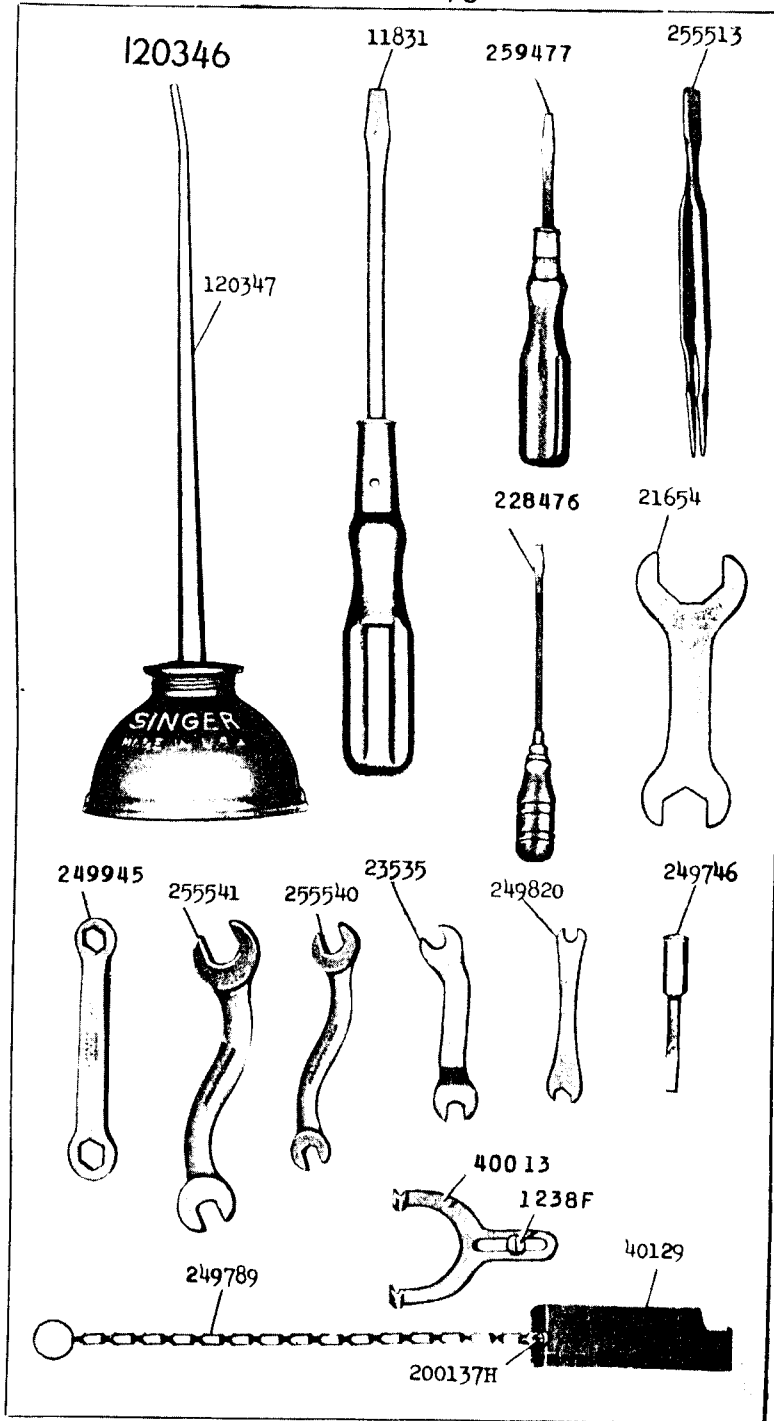
18229 - 1/3



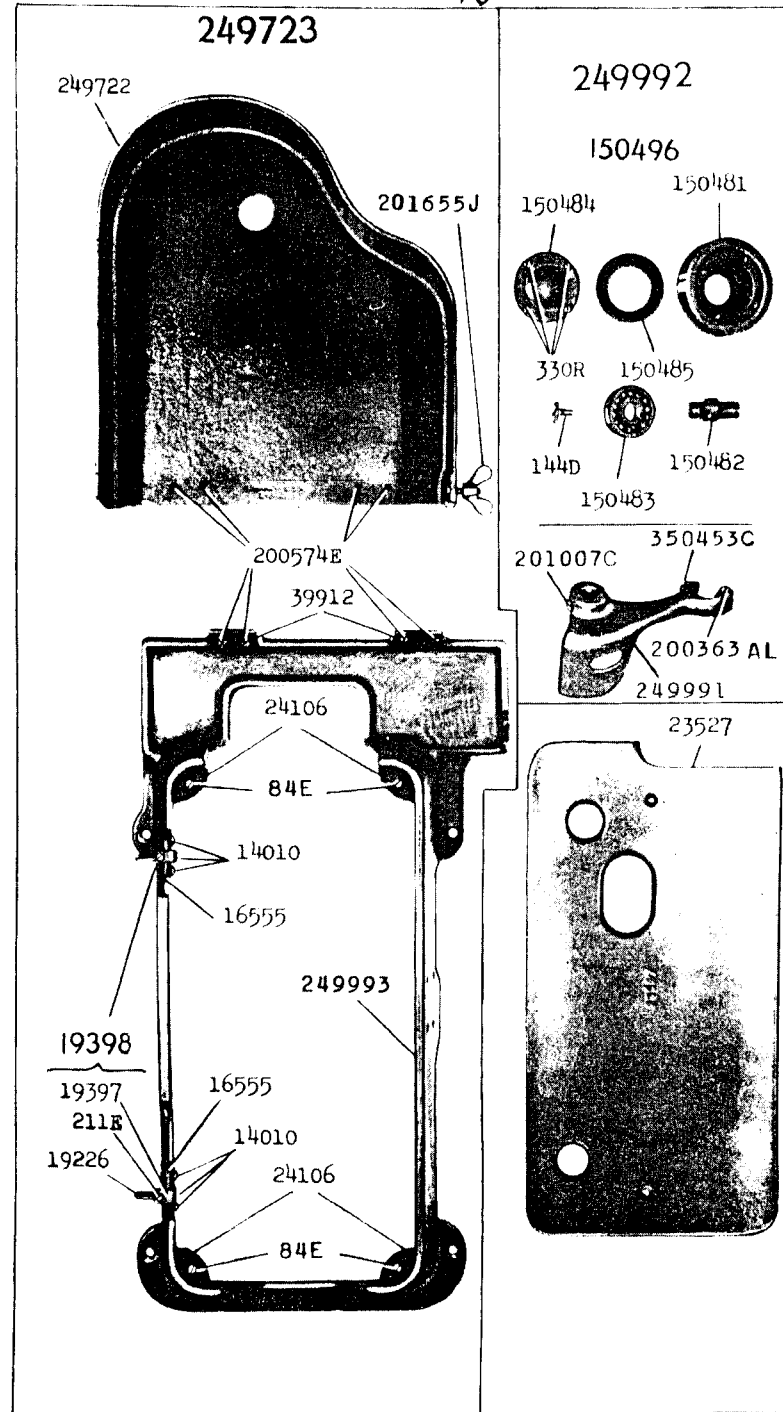
18230 - 1/2



18233 - 1/3

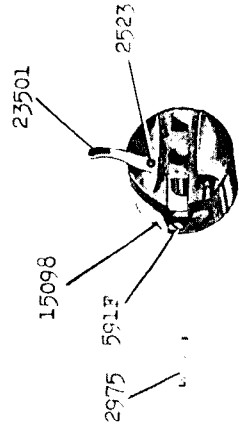


18234 - 1/6

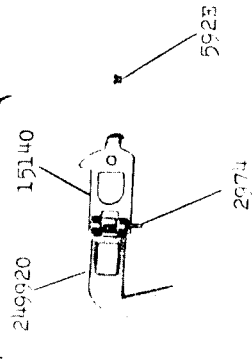


18237 - 2/3

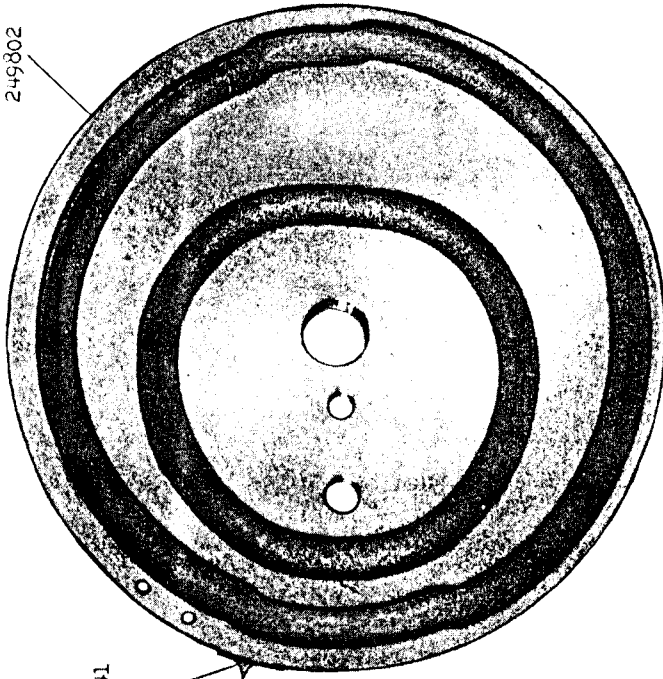
249921



249919

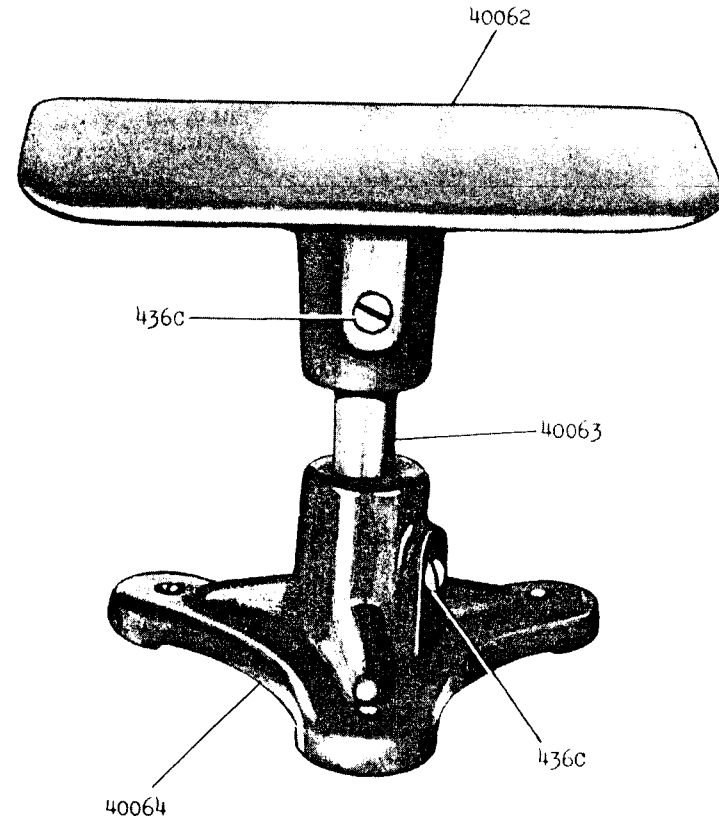


249802

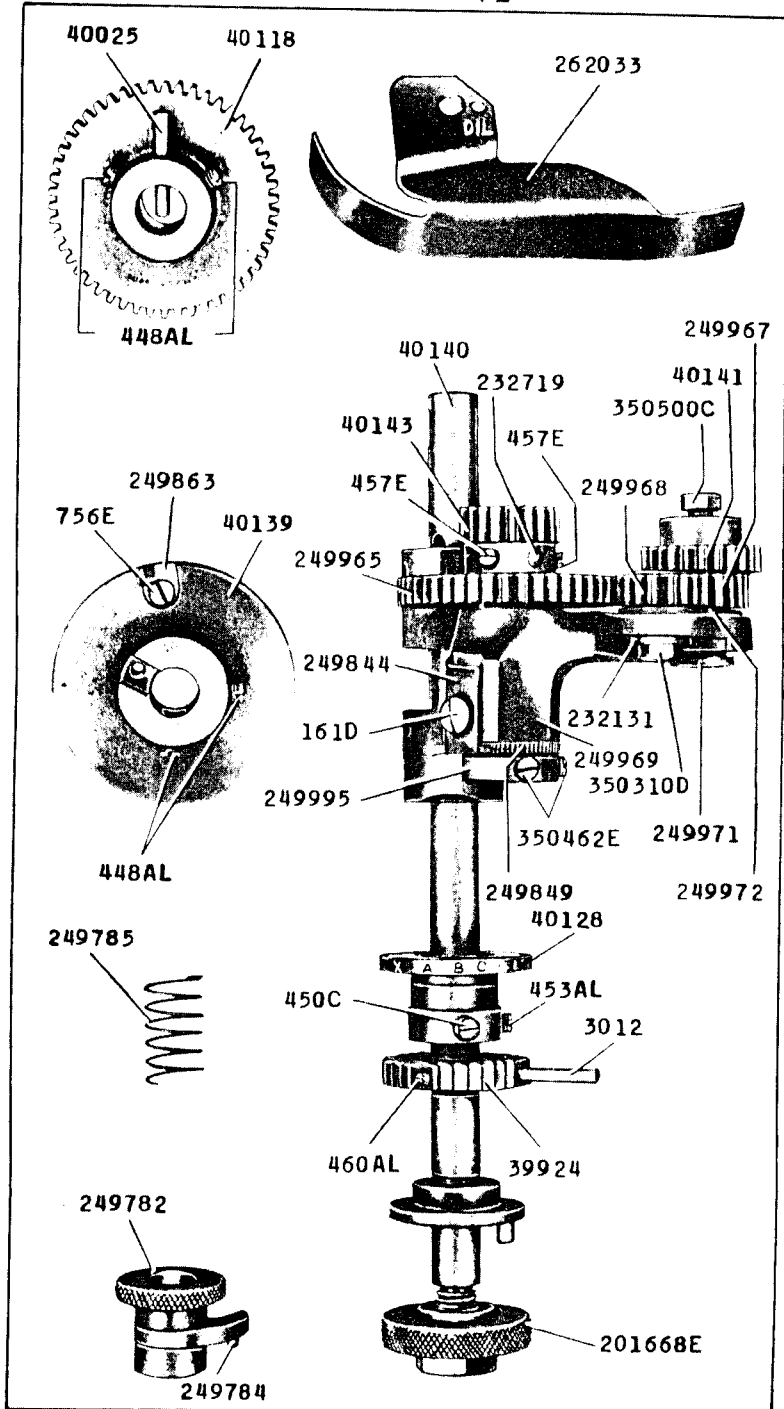


18243 - 5/8

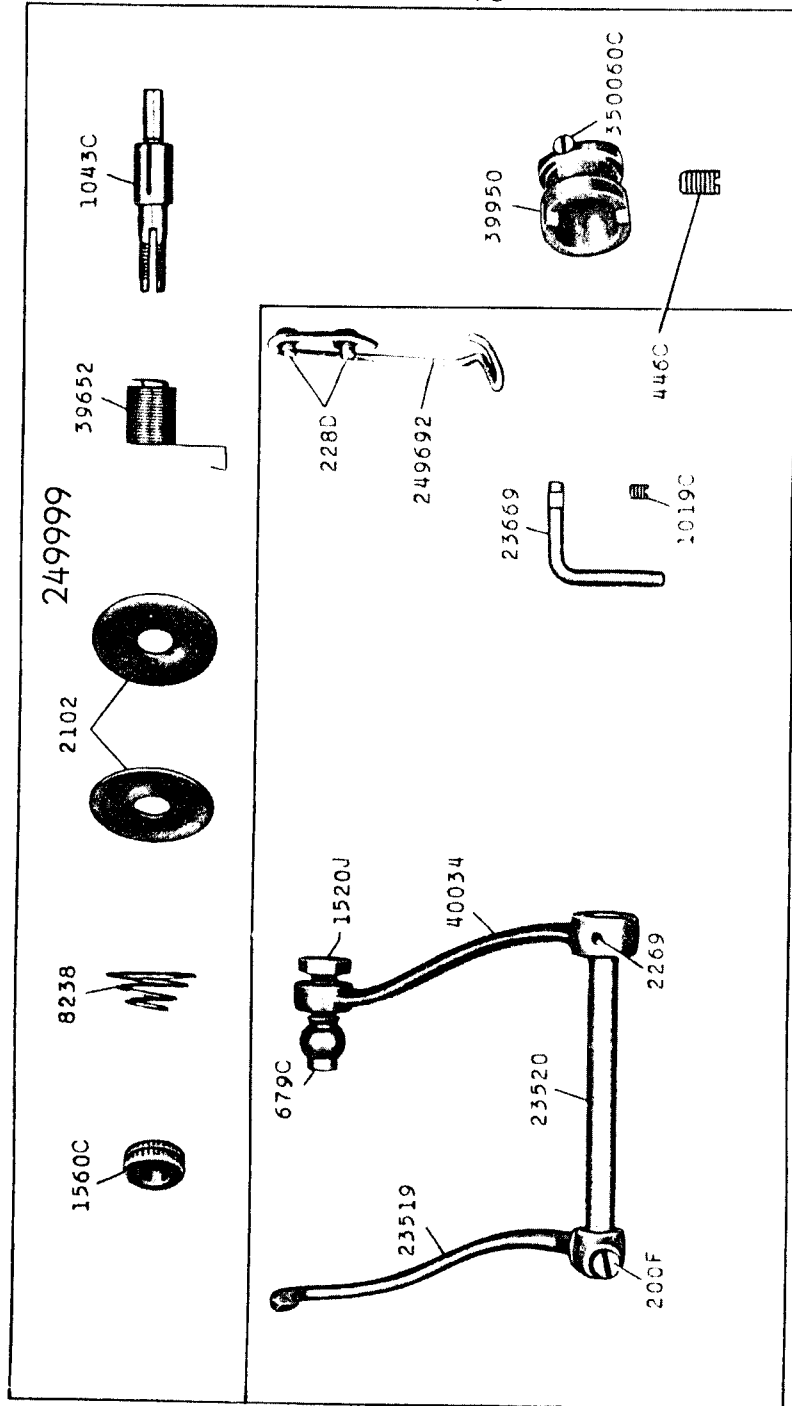
40065 (2)



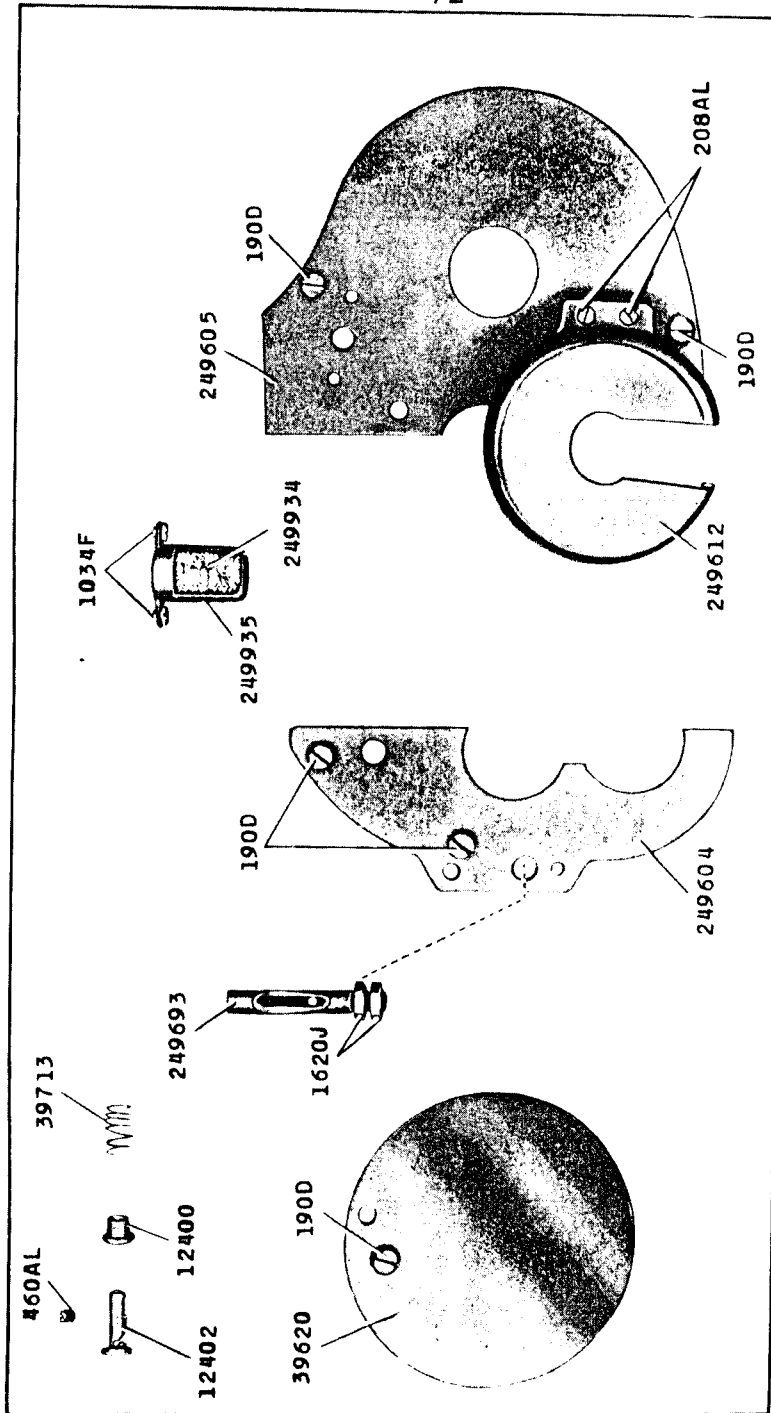
18257 - 1/2



18259 - 2/3



18260 - 1/2



18261 - 1/4

