

SINGER
112W131

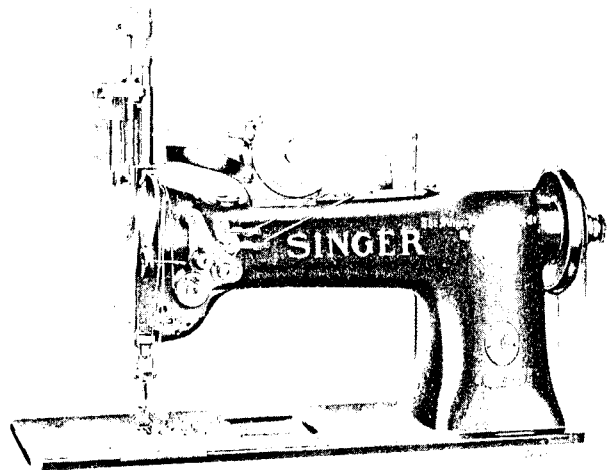
Form 2731w
(741)
Printed in U. S. A.

SINGER

112w131

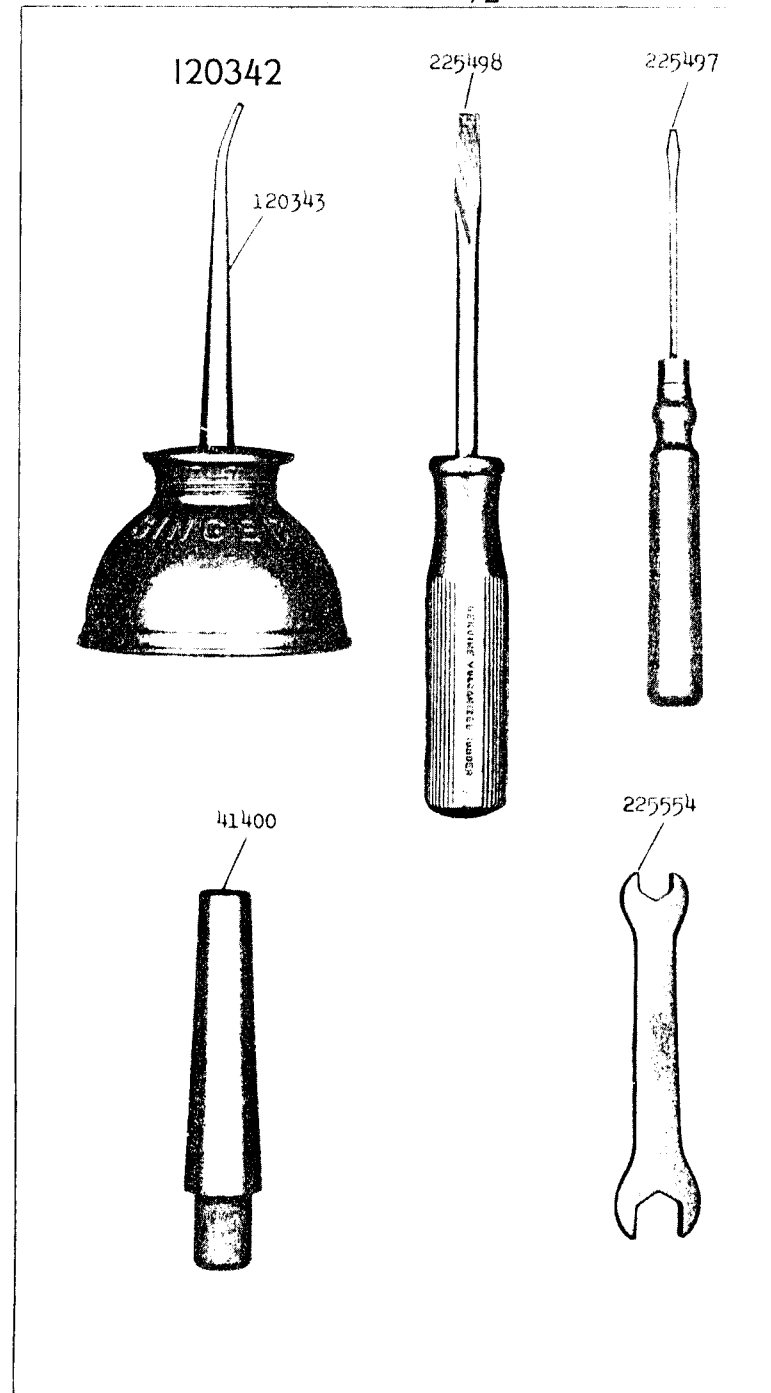


THE SINGER MANUFACTURING COMPANY



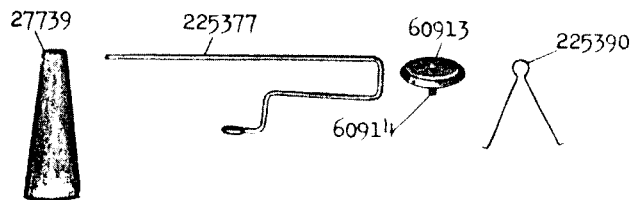
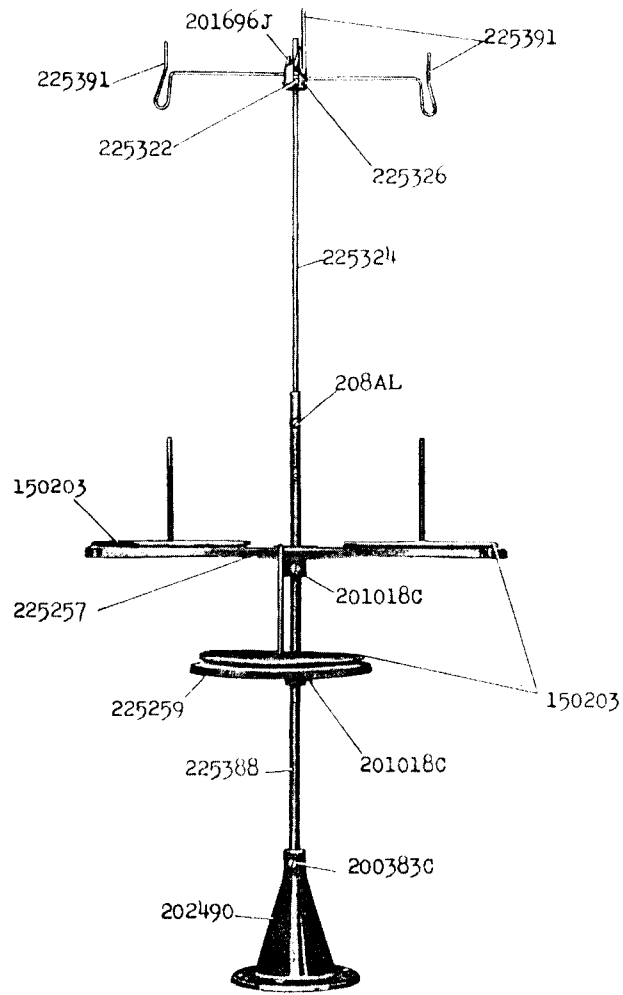
Copyright, U. S. A., 1939, 1940 and 1941
by The Singer Manufacturing Co.
All Rights Reserved for all Countries

13067 - 1/2



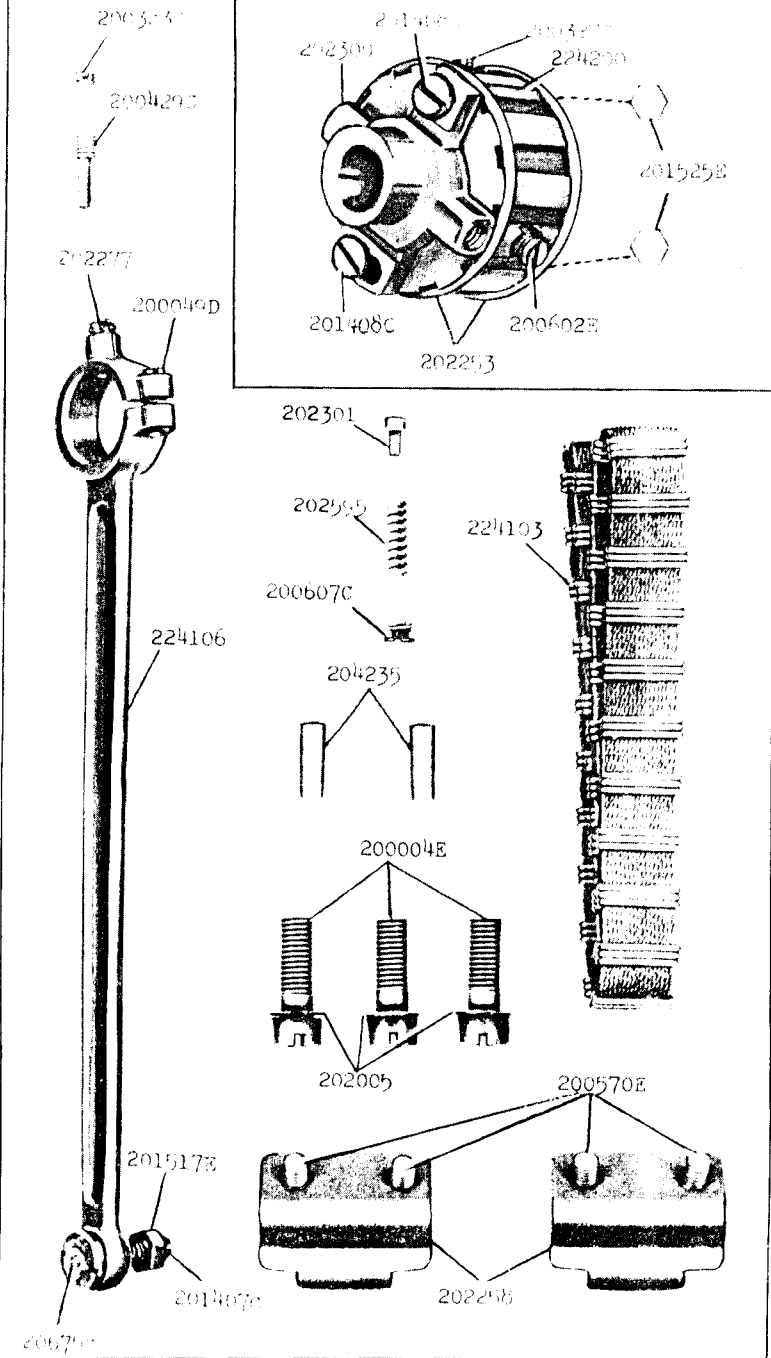
16257 - 1/6

259143



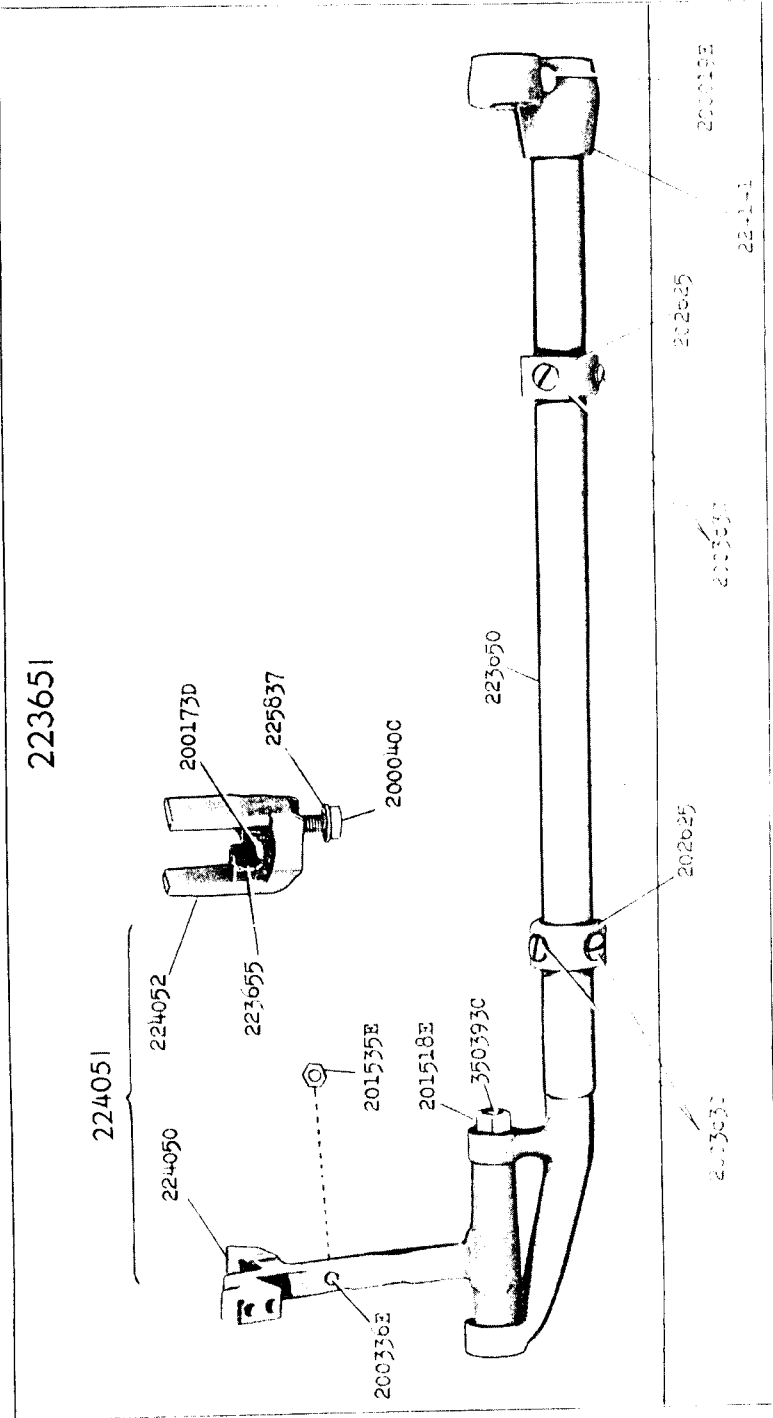
16260 - 1/2

224140

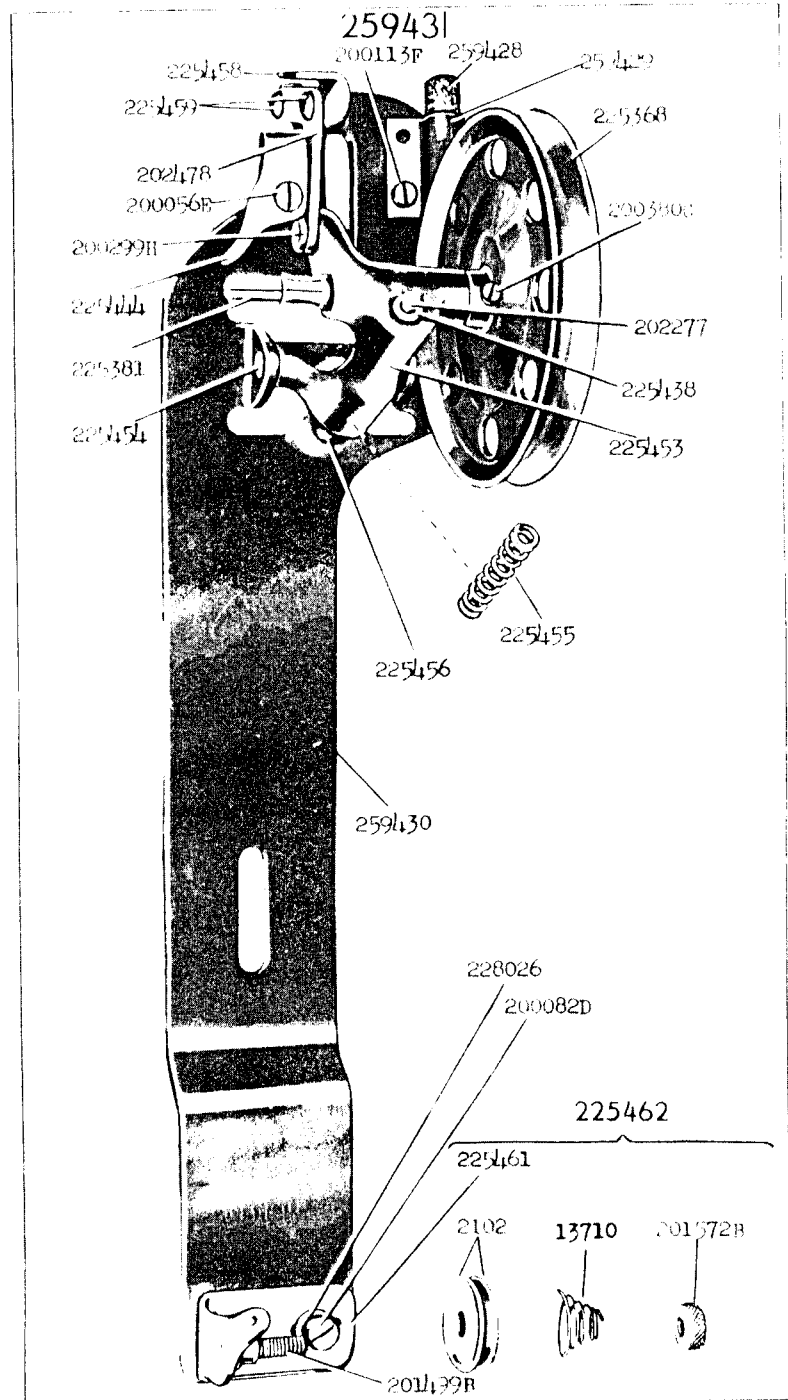


200700

16261 - 1/2

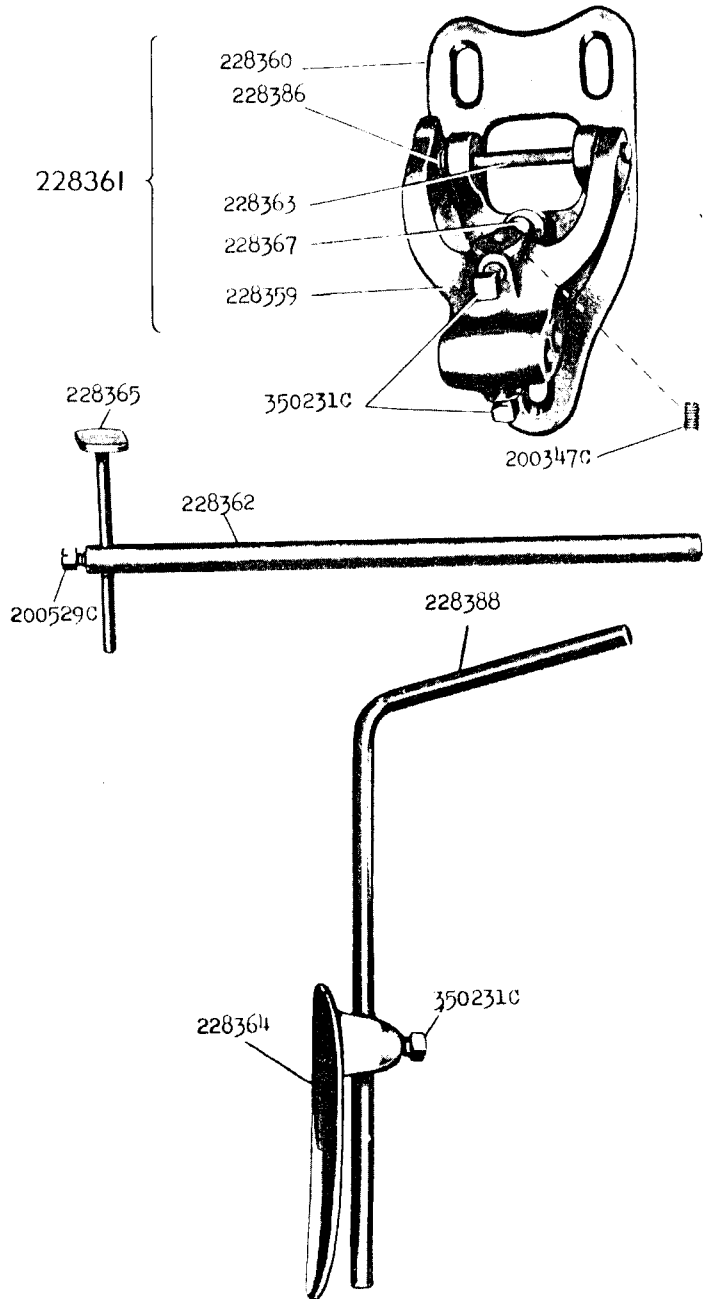


16615 - 1/2

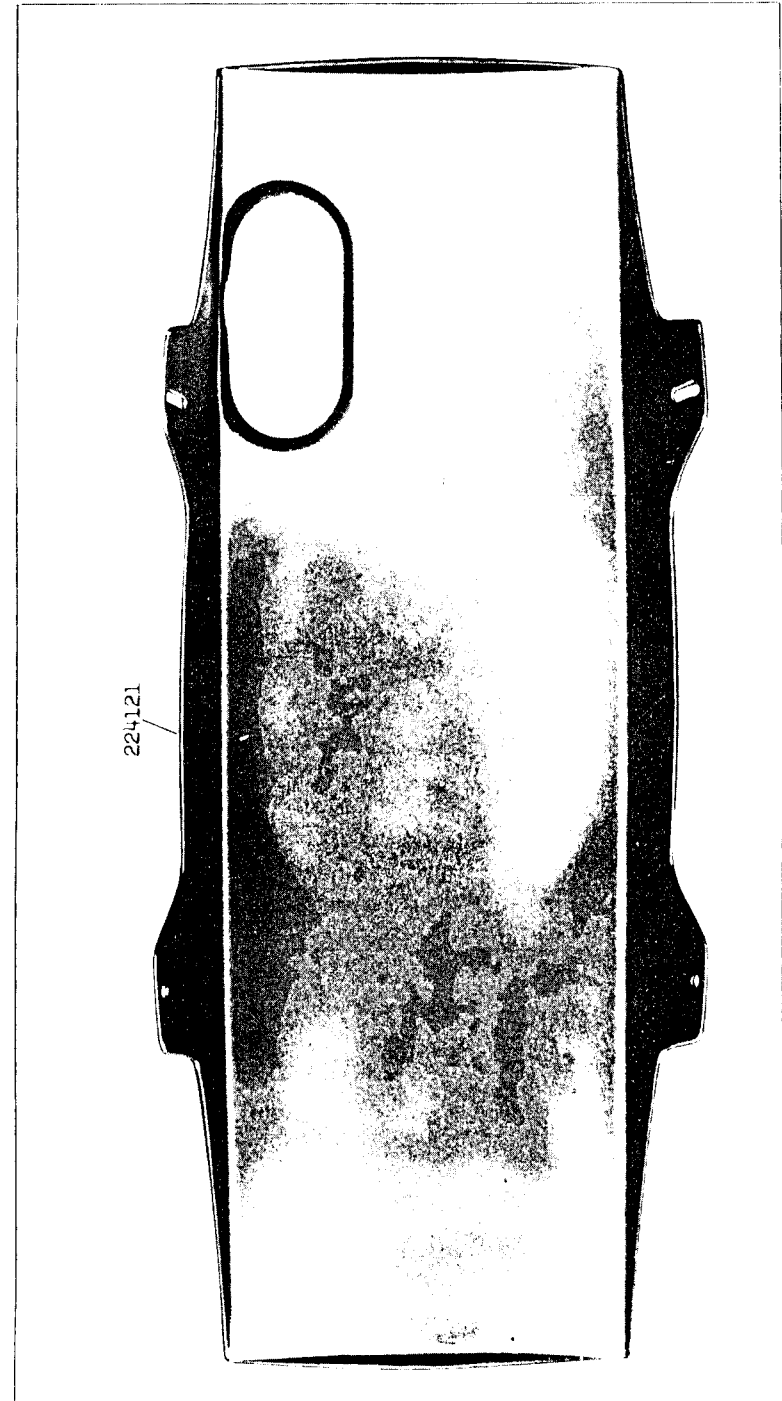


16643 - 3/8

228368

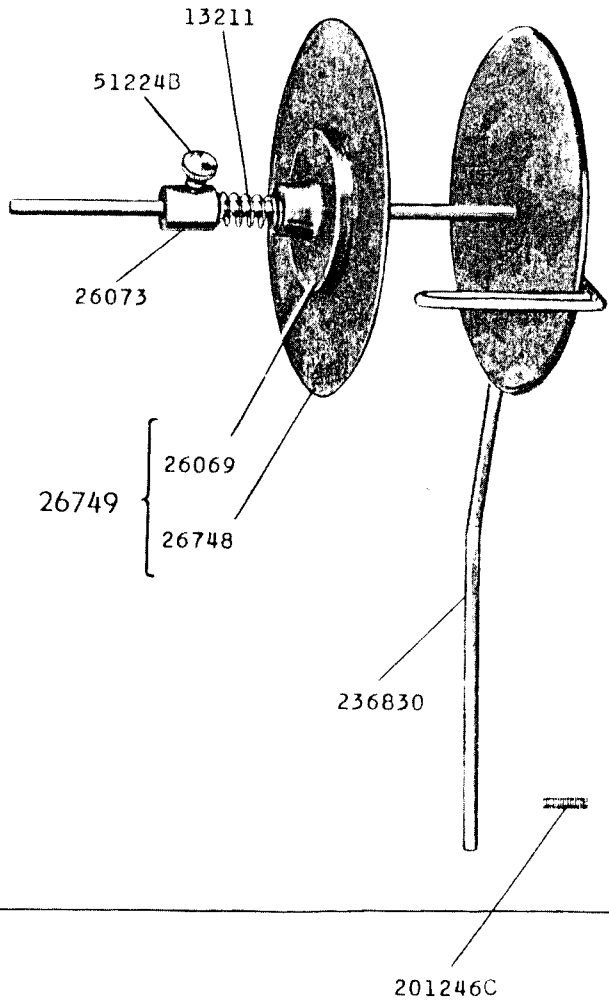


16644 - 1/3

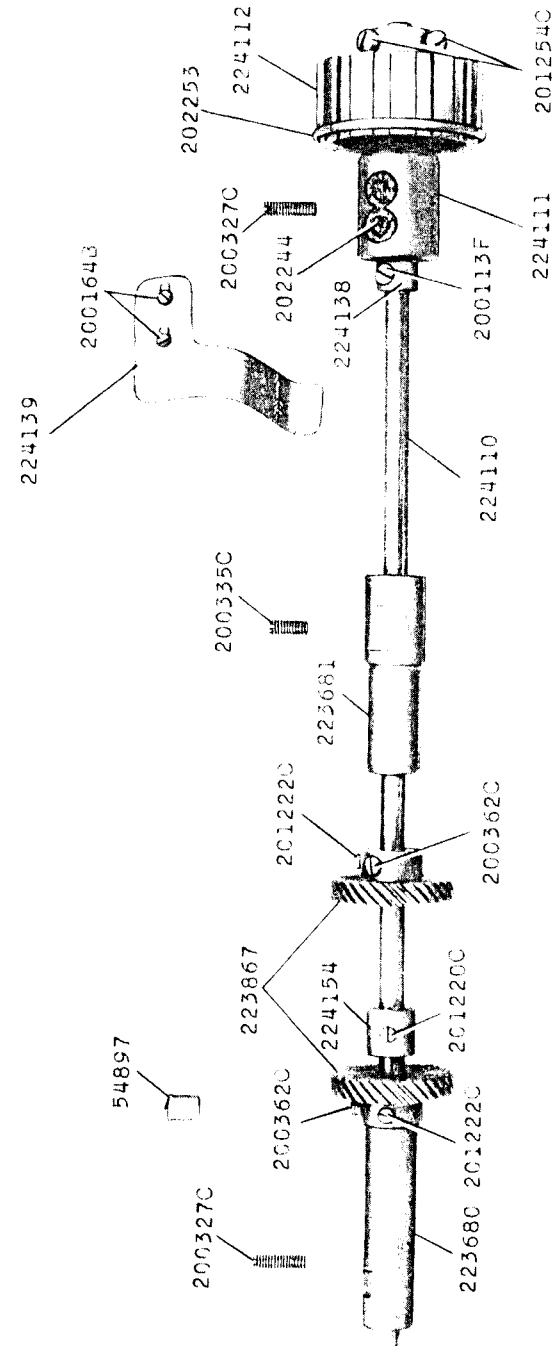


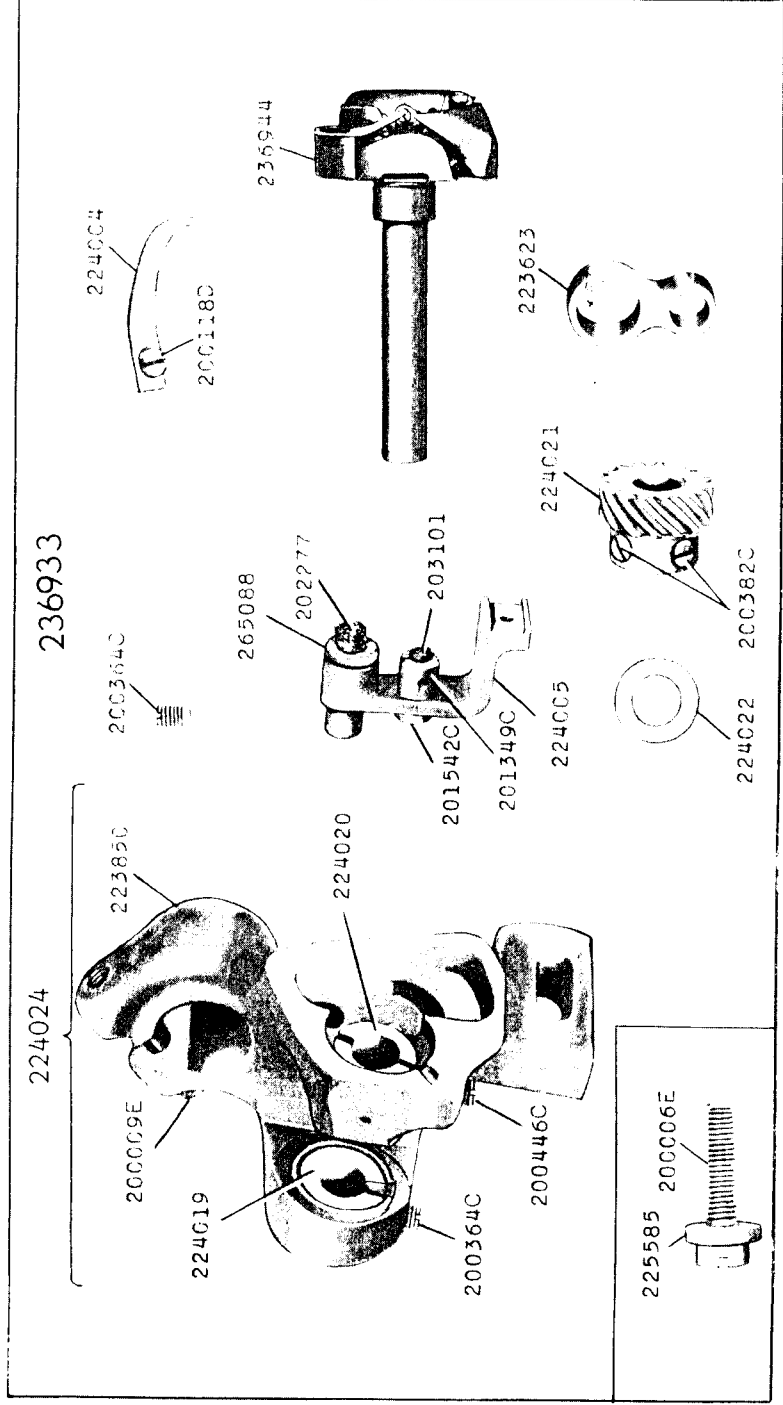
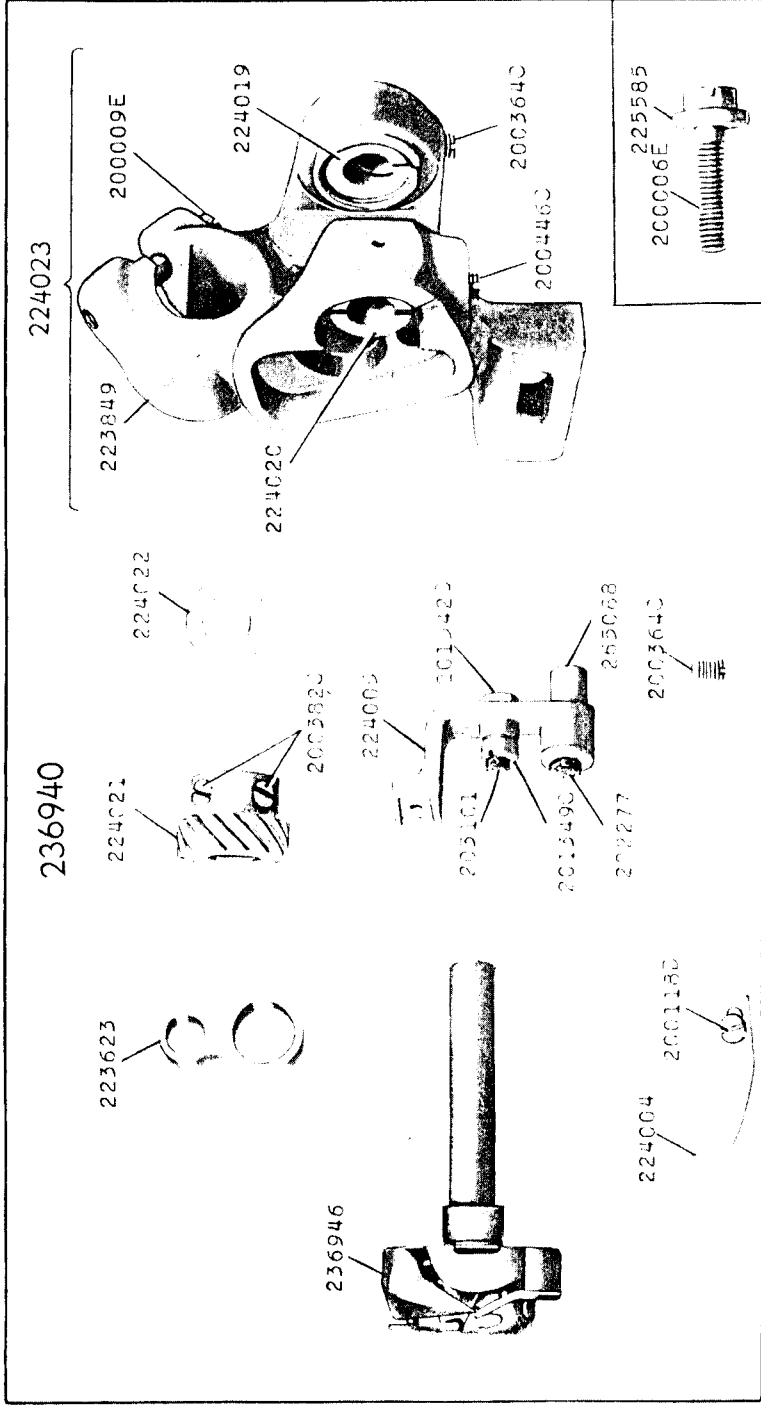
17763 - 3/8

236831



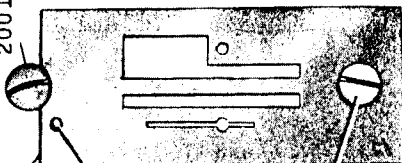
17764 - 3/8





17773 - 3/4

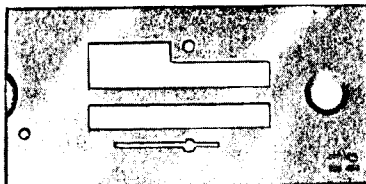
236923-46
236924-50 1/2 1/32 1/16 1 9/32 5/8



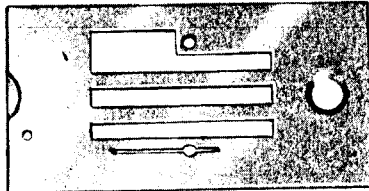
203376

691F

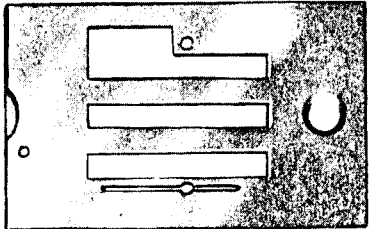
236925-46



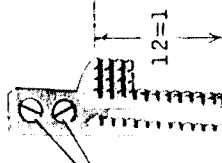
236926-46



236929-46
236930-50

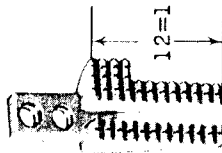


236907

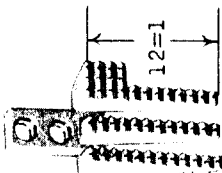


200106E

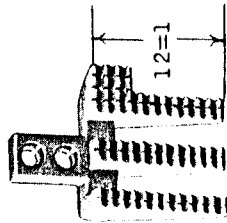
236909



236908

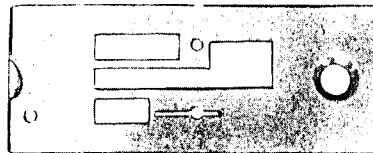


236910

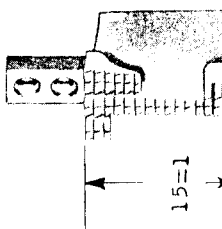


17774 - 3/4

236922-50
1 3/32 7/16 1 5/32 1/2

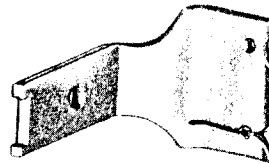


236906

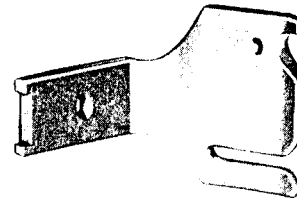


15=1

236918-46
1 7/32 9/16
236916-46
1 9/32 5/8 2 1/2 1 1/16



236915-46
2 3/32 3/4
236917-46
2 5/32 1 3/16 2 7/32 7/8 2 9/32 1 5/16 3 1/32 1



236914-46
1 3/32 7/16 1 5/32 1/2 1 7/32 9/16

