

---

---

# MITSUBISHI SEWING MACHINE PARTS CATALOG

Model.....CU-865

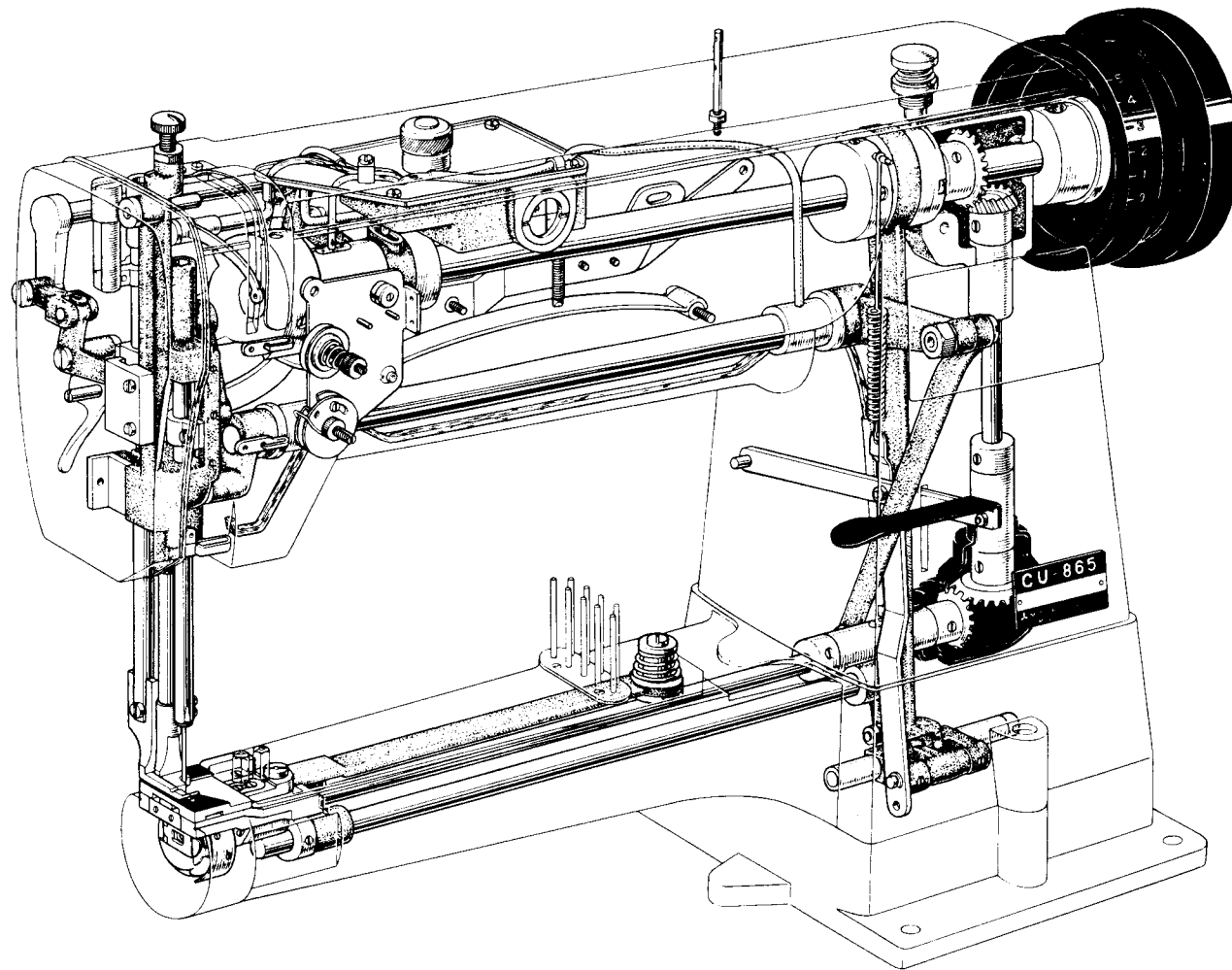
## INDEX

|                  |  |        |
|------------------|--|--------|
| 1.主 体 関 係.....   | Arm bed & its accessories .....                        | L65-1  |
| 2.上糸調節器関係.....   | Thread tension regulator opl .....                     | L65-3  |
| 3.押 え 関 係.....   | Presser foot mechanism .....                           | L65-5  |
| 4.上軸押え上げ関係.....  | Arm shaft & knee lifter lifting lever mechanism.....   | L65-7  |
| 5.針棒揺動関係.....    | Needle bar rock shaft mechanism .....                  | L65-9  |
| 6.天秤 針棒支え関係..... | Needle bar rock frame & thread take-up mechanism ..... | L65-11 |
| 7.送り調節器関係.....   | Stitch length regulator mechanism .....                | L65-13 |
| 8.縦軸・下軸関係.....   | Vertical shaft & rotating hook shaft mechanism .....   | L65-15 |
| 9.返し縫い関係.....    | Reverse sewing mechanism .....                         | L65-17 |
| 10.送 り 関 係.....  | Feed rock shaft mechanism .....                        | L65-21 |
| 11.給 油 関 係.....  | Lubrication mechanism .....                            | L65-23 |

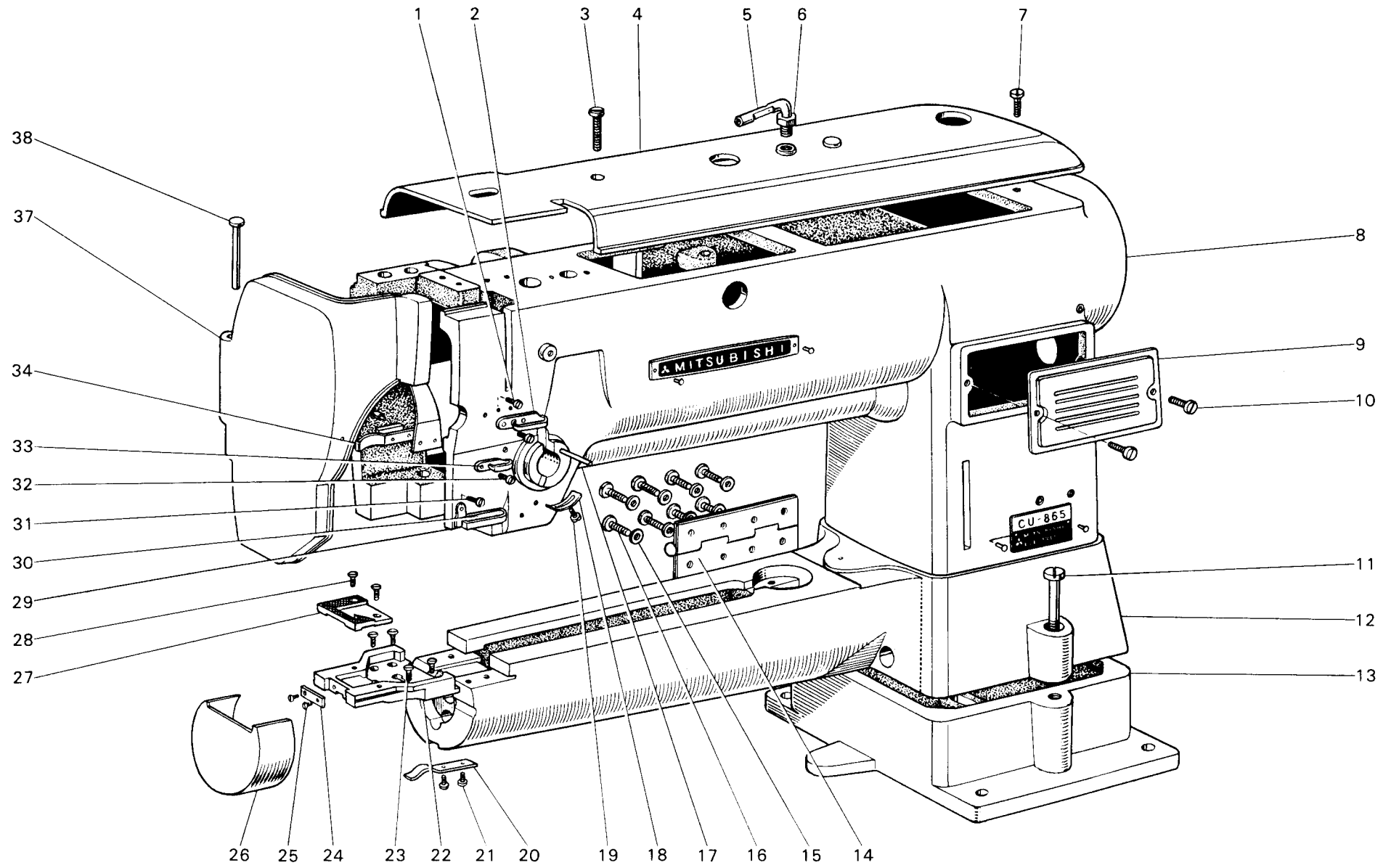


**MITSUBISHI ELECTRIC CORPORATION**

CU-865形 機構図 TOTAL ASSY,



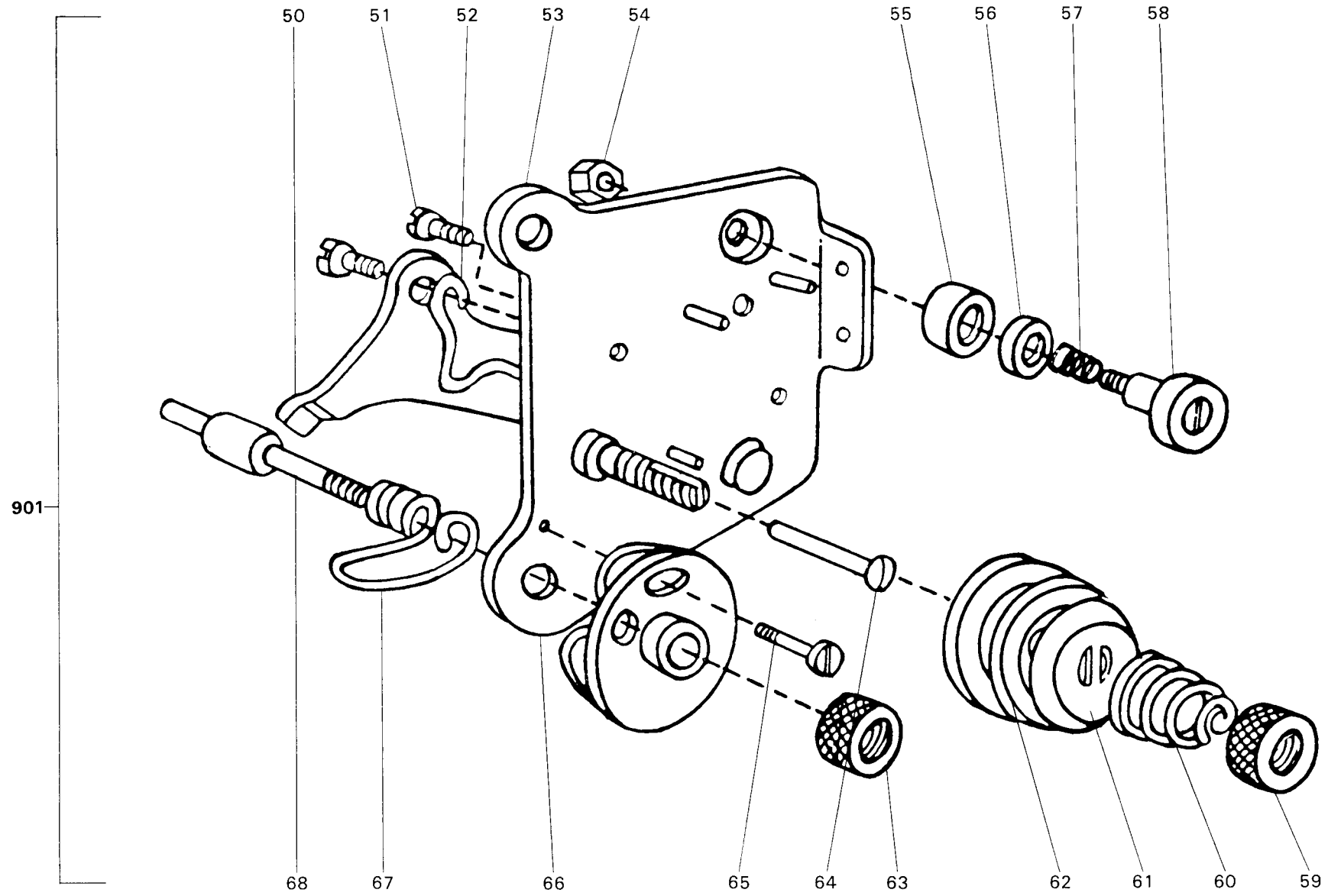
## CU-865形 主体関係 ARM BED &amp; ITS ACCESSORIES



<CU-865形> 主体関係 ARM BED & ITS ACCESSORIES

| Fig. No. | サービス部品コード<br>Part No. | 資材コード<br>Code No. | 部 品 名                   | Name of Part                    | 個 / 台 Amt. req |  |  |  |  | 備 考<br>Remarks |
|----------|-----------------------|-------------------|-------------------------|---------------------------------|----------------|--|--|--|--|----------------|
|          |                       |                   |                         |                                 |                |  |  |  |  |                |
| 1        | M9 0904 011           | W500147           | 丸 皿 ネ ジ 9/64(40)×6.5    | Screw(for Fig. 2) 3/16(28)×11   |                |  |  |  |  |                |
| 2        | MN 10A0 181           | W445857           | 糸カケ(アーム上)               | Arm thread guide                |                |  |  |  |  |                |
| 3        | M9 0918 002           | W500262           | 平 ネ ジ 9/64(40)×23       | Screw(for Fig. 4) 9/64(40)×23   |                |  |  |  |  |                |
| 4        | ML 65B0 600           | W220651           | ト ッ プ カ バ ー             | Top cover                       |                |  |  |  |  |                |
| 5        | MN 10A2 181           | W445861           | 糸カケ(トップカバー)             | Top cover thread guide          |                |  |  |  |  |                |
| 6        | M9 1202 045           | W500001           | ナ ッ ト 3/16(28)×4        | Nut 3/16(28)                    |                |  |  |  |  |                |
| 7        | M9 0915 002           | W500261           | 平 ネ ジ 9/64(40)×14       | Screw(for Fig. 4) 9/64(40)×14   |                |  |  |  |  |                |
| 8        |                       | W111533           | ア ー ム                   | Arm                             |                |  |  |  |  |                |
| 9        | MN 10A0 800           | W461026           | 前 ブ タ                   | Side cover                      |                |  |  |  |  |                |
| 10       | M9 1101 004           | W466810           | ブ ラ マ イ ネ ジ 11/64(40)×8 | Screw(for Fig. 9) 11/64(40)×8   |                |  |  |  |  |                |
| 11       | M9 2071 003           | W501920           | 丸 平 ネ ジ 5/16(18)×18     | Screw(for Fig. 12) 5/16(18)×31  |                |  |  |  |  |                |
| 12       |                       | W111535           | ベ ッ ト                   | Bed                             |                |  |  |  |  |                |
| 13       | ML 65B1 603           | W220650           | ベ ッ ト 土 台               | Bed                             |                |  |  |  |  |                |
| 14       | ML 65B0 560           | W464450           | 平 形 蝶 番                 | Hinge                           |                |  |  |  |  |                |
| 15       | M9 0302 053           | W462953           | バ ネ 座 金 3.5             | Washer(for Fig. 14)             |                |  |  |  |  |                |
| 16       | M9 1510 002           | W500676           | 平 ネ ジ 15/64(28)×12      | Screw 15/64(28)×12              |                |  |  |  |  |                |
| 17       | M9 0402 060           | W462904           | 糸ユルメピン(大) 4φ×57         | Tension releasing pin           |                |  |  |  |  |                |
| 18       | MN 10A0 477           | W445942           | 糸取りバネストッパー              | Thread take-up spring stopper   |                |  |  |  |  |                |
| 19       | M9 0907 002           | W500076           | 平 ネ ジ 9/64(40)×5        | Screw(for Fig. 18) 9/64(40)×5   |                |  |  |  |  |                |
| 20       | ML 65B0 192           | W466213           | 板 バ ネ                   | Leaf spring                     |                |  |  |  |  |                |
| 21       | M9 9006 002           | W500791           | 平 ネ ジ 9/64(40)×1.5      | Screw(for Fig. 20) 9/64(40)×4.5 |                |  |  |  |  |                |
| 22       | ML 65B0 603           | W326247           | 針 板 取 付 台               | Needle plate set base           |                |  |  |  |  |                |
| 23       | M9 0907 002           | W500076           | 平 ネ ジ 9/64(40)×5        | Screw(for Fig. 22) 9/64(40)×5   |                |  |  |  |  |                |
| 24       | ML 65B0 229           | W464402           | 内 ガ マ 止 メ               | Hook Stopper                    |                |  |  |  |  |                |
| 25       | M9 0601 010           | W500654           | 皿 ネ ジ 3/32(56)×2.5      | Screw(for Fig. 24) 3/32(56)×2.5 |                |  |  |  |  |                |
| 26       | ML 65B0 339           | W464088           | カ マ カ バ ー               | Hook cover                      |                |  |  |  |  |                |
| 27       | ML 65B0 101           | W464403           | 針 板                     | Needle Plate                    |                |  |  |  |  |                |
| 28       | M9 0904 011           | W500147           | 丸 皿 ネ ジ 9/64(40)×6.5    | Screw(for Fig. 27) 9/64(40)×6.5 |                |  |  |  |  |                |
| 29       | MP 00B0 181           | W456528           | 糸 カ ケ                   | Thread guide                    |                |  |  |  |  |                |
| 30       | MP 00B0 740           | W502486           | フ ェ ル ト                 | Felt                            |                |  |  |  |  |                |
| 31       | M9 0920 002           | W501523           | 平 ネ ジ 9/64(40)×6.5      | Screw(for Fig. 29) 9/64(40)×6.5 |                |  |  |  |  |                |
| 32       | M9 0904 011           | W500147           | 丸 皿 ネ ジ 9/64(40)×6.5    | Screw(for Fig. 33) 9/64(40)×6.5 |                |  |  |  |  |                |
| 33       | MN 10A1 181           | W445858           | 糸 カ ケ                   | Thread guide                    |                |  |  |  |  |                |
| 34       | MP 00B0 605           | W445862           | 面 板 止 メ バ ネ             | Face plate spring               |                |  |  |  |  |                |
| 35       | MN 10A0 476           | W445874           | 座 板                     | Plate washer                    |                |  |  |  |  |                |
| 36       | M9 0503 063           | W500989           | ピ ン 5φ×7                | Face plate stopper pin          |                |  |  |  |  |                |
| 37       | MN 12B0 830           | W220608           | 面 板                     | Face plate                      |                |  |  |  |  |                |
| 38       | M9 0504 063           | W445860           | 面 板 支 エ 軸 5φ×60         | Face plate hinge pin            |                |  |  |  |  |                |

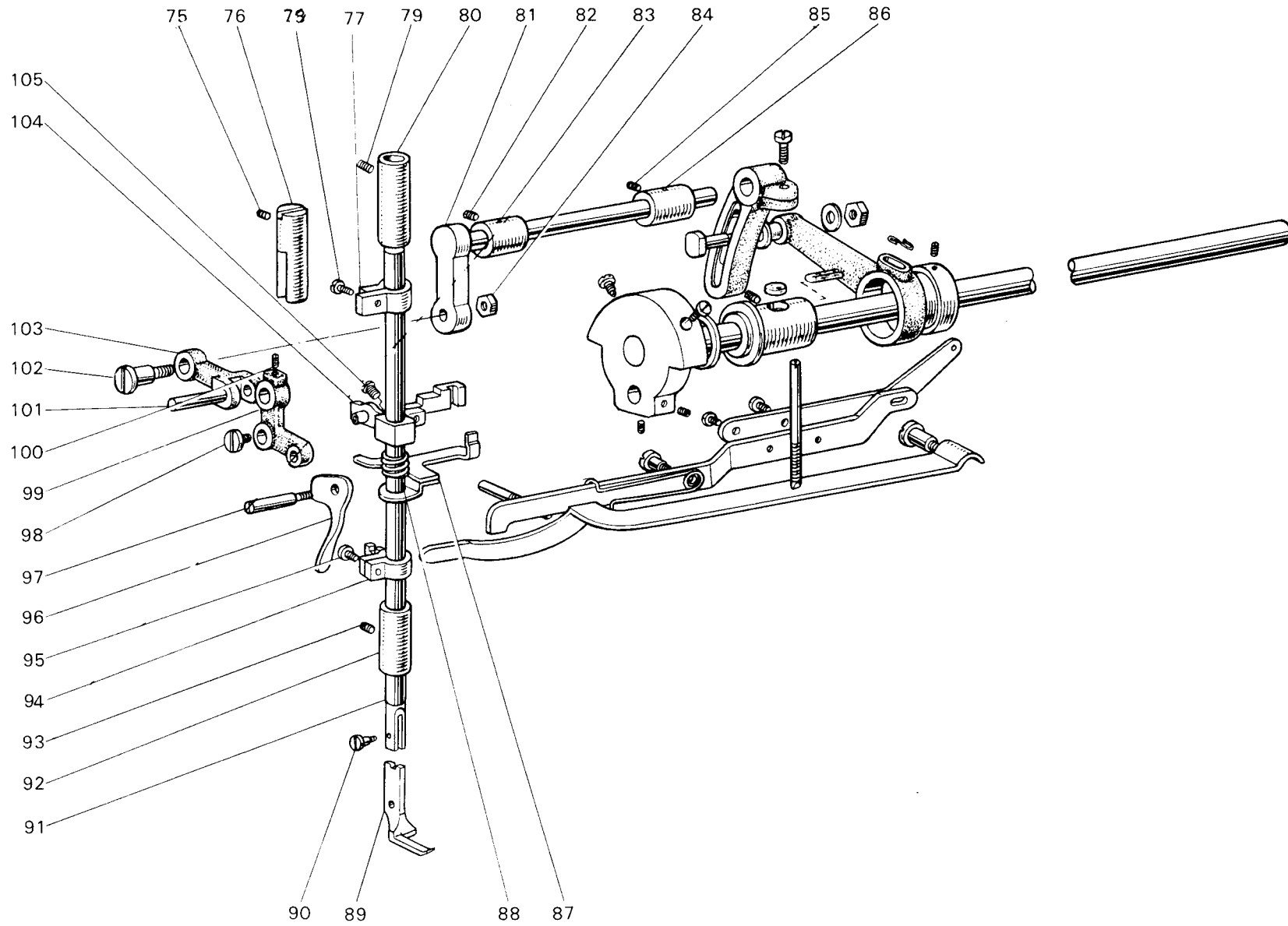
CU-865形 上糸調節器関係 THREAD TENSION REGULATOR CPL



<CU-865形> 上糸調節器関係 THREAD TENSION REGULATOR CPL

| Fig. No. | サービス部品コード<br>Part No. | 資材コード<br>Code No. | 部 品 名             | Name of Part                                | 個 / 台 Amt. req |  |  |  | 備 考<br>Remarks |
|----------|-----------------------|-------------------|-------------------|---|----------------|--|--|--|----------------|
|          |                       |                   |                   |   |                |  |  |  |                |
| 901      | ML 65E0 210           | W451952           | 上糸調節器 (組)         | Tension bracket cpl.                        |                |  |  |  |                |
| 50       |                       | W450020           | 糸ユルメ板             | Tension release lever                       |                |  |  |  | Fig.No.901ニ含ム  |
| 51       | M9 0902 015           | W501026           | 段付平ネジ 9/64(40)×6  | Screw (for Fig. 50)                         |                |  |  |  | //             |
| 52       | MN 10A0 851           | W502148           | 戻シバネ              | Spring (for Fig. 50)                        |                |  |  |  | //             |
| 53       |                       | W462908           | 糸加減座              | Tension bracket                             |                |  |  |  | //             |
| 54       | M9 0901 045           | W500307           | ナット 9/64(40)×2.5  | Nut 9/64(40)                                |                |  |  |  | //             |
| 55       | MN 10A0 155           | W502213           | 糸案内台              | Thread guide base                           |                |  |  |  | //             |
| 56       | MN 10A1 555           | W502212           | 糸案内皿              | Thread guide disc                           |                |  |  |  | //             |
| 57       | MN 10A1 572           | W502065           | 上糸案内調子バネ          | Thread tension spring                       |                |  |  |  | //             |
| 58       | M9 0930 016           | W462822           | 段付丸平ネジ 9/64(40)   | Stud screw                                  |                |  |  |  | //             |
| 59       | M9 1603 046           | W502940           | 調子ナット 1/4(40)×4.5 | Thread tension regulating thumb nut 1/4(40) |                |  |  |  | //             |
| 60       | MF 23C0 245           | W461786           | 調子バネ              | Thread tension spring                       |                |  |  |  | //             |
| 61       | MN 10A0 556           | W445934           | 皿押エ               | Thread tension releasing disc               |                |  |  |  | //             |
| 62       | MN 10A0 555           | W445933           | 調子皿               | Thread tension disc                         |                |  |  |  | //             |
| 63       | M9 1603 046           | W502940           | 調子ナット 1/4(40)×4.5 | Tension thumb nut 1/4(40)                   |                |  |  |  | //             |
| 64       | M9 0202 060           | W502064           | 糸ユルメピン(小) 2φ×12   | Thread tension releasing pin                |                |  |  |  | //             |
| 65       | M9 0602 003           | W501057           | 丸平ネジ 3/32(56)×6   | Screw (for Fig. 66) 9/64(40)×6              |                |  |  |  | //             |
| 66       | MN 10E0 175           | W462825           | 糸案内車              | Thread controller disc                      |                |  |  |  | //             |
| 67       | MP 00B0 187           | W456524           | 糸取りバネ             | Thread take-up spring                       |                |  |  |  | //             |
| 68       | MN 10A0 554           | W450011           | 糸調子軸              | Thread tension stud                         |                |  |  |  | //             |
|          |                       |                   |                   |   |                |  |  |  |                |
|          |                       |                   |                   |   |                |  |  |  |                |
|          |                       |                   |                   |   |                |  |  |  |                |
|          |                       |                   |                   |   |                |  |  |  |                |
|          |                       |                   |                   |   |                |  |  |  |                |
|          |                       |                   |                   |   |                |  |  |  |                |
|          |                       |                   |                   |   |                |  |  |  |                |
|          |                       |                   |                   |   |                |  |  |  |                |
|          |                       |                   |                   |   |                |  |  |  |                |
|          |                       |                   |                   |   |                |  |  |  |                |
|          |                       |                   |                   |   |                |  |  |  |                |
|          |                       |                   |                   |   |                |  |  |  |                |
|          |                       |                   |                   |   |                |  |  |  |                |
|          |                       |                   |                   |   |                |  |  |  |                |
|          |                       |                   |                   |   |                |  |  |  |                |

# CU-865形 押え関係 PRESSER FOOT MECHANISM

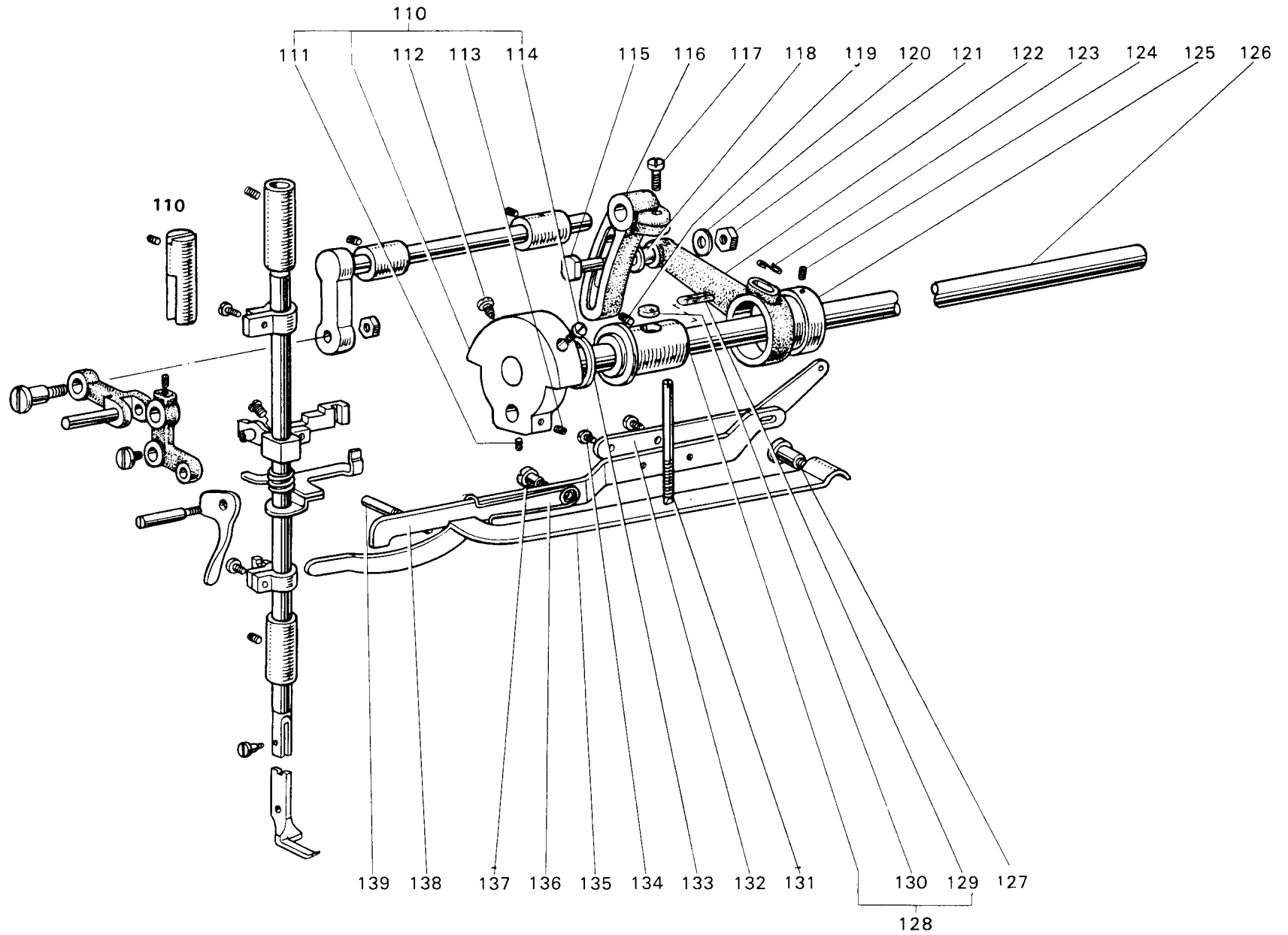


<CU-865形> 押え関係 PRESSER FOOT MECHANISM

| Fig. No. | サービス部品コード<br>Part No. | 資材コード<br>Code No. | 部 品 名               | Name of Part                         | 個 / 台 Amt. req |  |  |  |  | 備 考<br>Remarks |
|----------|-----------------------|-------------------|---------------------|--------------------------------------|----------------|--|--|--|--|----------------|
|          |                       |                   |                     |                                      |                |  |  |  |  |                |
| 75       | M9 1653 001           | W500478           | 頭ナシ止メネジ 1/4(24)×8   | Set screw (for Fig. 76) 1/4(24) × 7  |                |  |  |  |  |                |
| 76       | MN 10A0 203           | W445918           | 押エ棒案内               | Presser bar position guide           |                |  |  |  |  |                |
| 77       | MN 10A0 265           | W445920           | 押エ棒ダキ               | Presser bar position guide lever     |                |  |  |  |  |                |
| 78       | M9 0903 003           | B 509268          | 丸平ネジ 9/64(40)×10    | Screw 9/64(40) × 10                  |                |  |  |  |  |                |
| 79       | M9 1653 001           | W500478           | 頭ナシ止メネジ 1/4(24)×8   | Set screw (for Fig. 80) 1/4(24) × 7  |                |  |  |  |  |                |
| 80       | MN 10A0 267           | W445929           | 押エ棒メタル              | Presser bar bushing (upper)          |                |  |  |  |  |                |
| 81       | MP 00B0 268           | W461762           | 押エ上下軸               | Lifting rock shaft                   |                |  |  |  |  |                |
| 82       | M9 1653 001           | W500478           | 頭ナシ止メネジ 1/4(24)×8   | Set screw 1/4(24) × 7                |                |  |  |  |  |                |
| 83       | MG 10B0 833           | W502463           | メタル                 | Shaft bushing                        |                |  |  |  |  |                |
| 84       | M9 1802 045           | B 508961          | ナット 9/32(28)×3.5    | Nut 9/32(28)                         |                |  |  |  |  |                |
| 85       | M9 1653 001           | W500478           | 頭ナシ止メネジ 1/4(24)×8   | Set screw (for Fig. 86) 1/4(24) × 7  |                |  |  |  |  |                |
| 86       | MG 10B0 833           | W502463           | メタル                 | Shaft bushing                        |                |  |  |  |  |                |
| 87       | MP 00B0 221           | W322744           | 上糸ユルメ板              | Tention releasing plate              |                |  |  |  |  |                |
| 88       | MP 00B0 572           | W502465           | ツル巻キバネ              | Spring                               |                |  |  |  |  |                |
| 89       | ML 65B0 106           | W464406           | 外押エ                 | Outside presser foot                 |                |  |  |  |  |                |
| 90       | M9 0851 015           | W501007           | 段付平ネジ 1/8(44)×9     | Screw (for Fig. 89)                  |                |  |  |  |  |                |
| 91       | MN 10A0 262           | W445919           | 押エ棒                 | Presser bar                          |                |  |  |  |  |                |
| 92       | MN 10A0 267           | W445929           | 押エ棒メタル              | Presser bar bushing lower            |                |  |  |  |  |                |
| 93       | M9 1653 001           | W500478           | 頭ナシ止メネジ 1/4(24)×8   | Set screw 1/4(24) × 7                |                |  |  |  |  |                |
| 94       | MN 10A0 702           | W445921           | バネ受ケ                | Presser bar spring bracket           |                |  |  |  |  |                |
| 95       | M9 0905 002           | W500470           | 平ネジ 9/64(40)×8.5    | Screw (for Fig. 94) 9/64(40) × 8.5   |                |  |  |  |  |                |
| 96       | MN 10A0 252           | W459307           | 押エ上ゲ                | Presser bar lifter                   |                |  |  |  |  |                |
| 97       | M9 1201 033           | W501024           | ピンネジ 3/16(28)×24.5  | Hinge screw (for Fig. 96)            |                |  |  |  |  |                |
| 98       | M9 1151 003           | W502454           | 丸平ネジ 11/64(32)×6    | Screw (for Fig. 99) 11/64(32) × 6    |                |  |  |  |  |                |
| 99       | MP 00B0 763           | W322716           | ベルクランク              | Bell crank                           |                |  |  |  |  |                |
| 100      | M9 1202 001           | W500151           | 頭ナシ止メネジ 3/16(28)×6  | Set screw (for Fig. 99) 3/16(28) × 5 |                |  |  |  |  |                |
| 101      | M9 0602 060           | W462916           | ピン 0.35φ×17.6       | Pin                                  |                |  |  |  |  |                |
| 102      | M9 1805 015           | W502398           | 段付平ネジ 9/32(28)×23.5 | Screw                                |                |  |  |  |  |                |
| 103      | MP 00B0 910           | W507414           | リンク                 | Bell crank link                      |                |  |  |  |  |                |
| 104      | MP 00B0 764           | W322717           | ベルクランク土台            | Bell crank bed                       |                |  |  |  |  |                |
| 105      | M9 1113 002           | W500182           | 平ネジ 11/64(40)×15    | Screw (for Fig. 104) 11/64(40) × 15  |                |  |  |  |  |                |
|          |                       |                   |                     |                                      |                |  |  |  |  |                |
|          |                       |                   |                     |                                      |                |  |  |  |  |                |
|          |                       |                   |                     |                                      |                |  |  |  |  |                |
|          |                       |                   |                     |                                      |                |  |  |  |  |                |



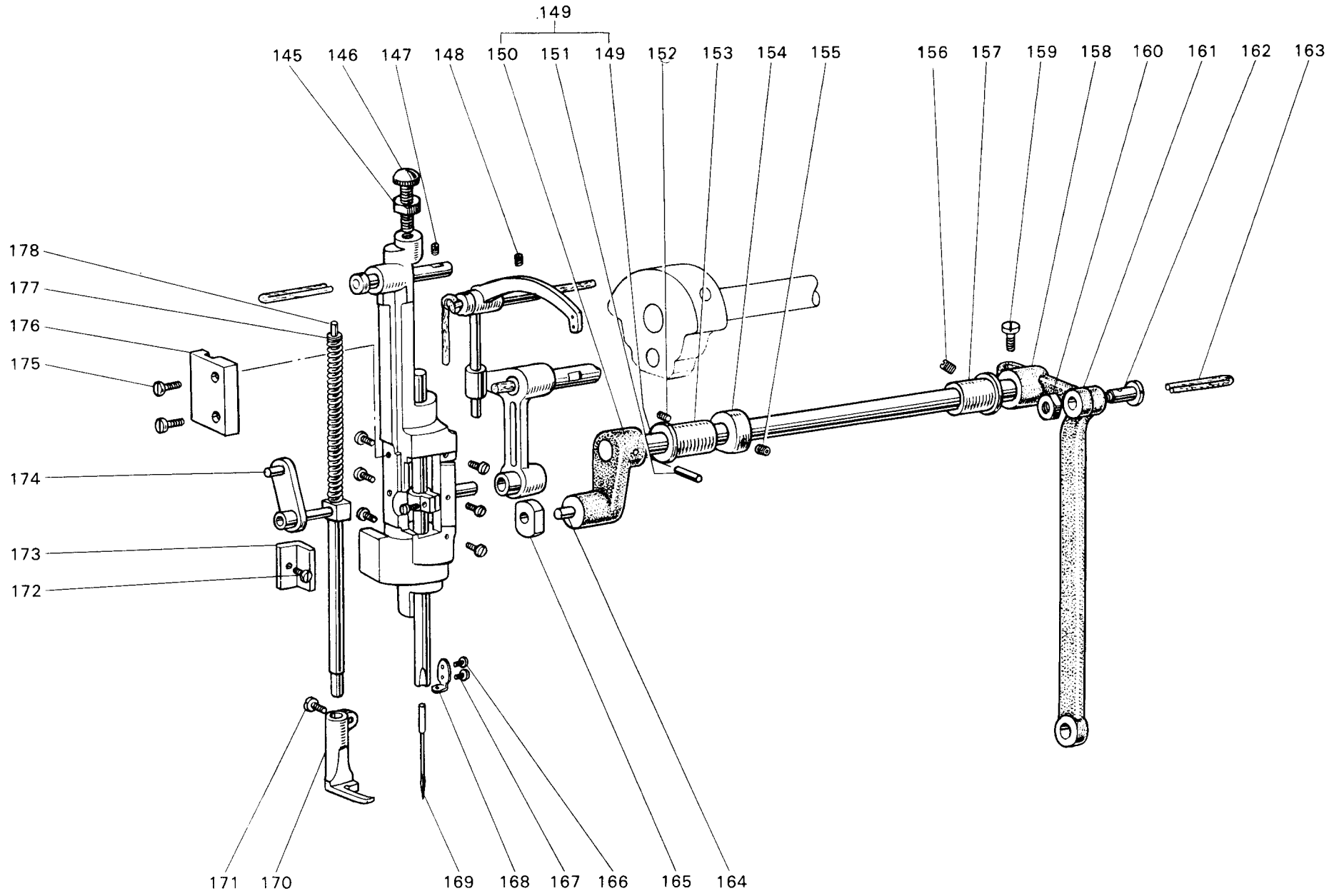
CU-865形 上軸押え上げ関係 ARM SHAFT & KNEE LIFTER LIFTING LEVER MECHANISM



<CU-865形> 上軸押え上げ関係 ARM SHAFT & KNEE LIFTER  
LIFTING LEVER MECHANISM

| Fig. No. | サービス部品コード<br>Part No. | 資材コード<br>Code No. | 部 品 名                 | Name of Part                                | 個 / 台 Amt. req |  |  |  | 備 考<br>Remarks |
|----------|-----------------------|-------------------|-----------------------|---|----------------|--|--|--|----------------|
|          |                       |                   |                       |   |                |  |  |  |                |
| 110      | ML 65B0 383           | W464419           | ク ラ ン ク               | Crank                                       |                |  |  |  |                |
| 111      | M9 1502 001           | B 500486          | 頭ナシ止メネジ 15/64(28)×3.5 | Set screw 15/64(28)×3.5                     |                |  |  |  |                |
| 112      | M9 1801 002           | W500306           | 平 ネ ジ 9/32(28)×13     | Screw 9/32(28)×13                           |                |  |  |  |                |
| 113      | M9 1508 001           | B 504016          | 頭ナシ止メネジ 15/64(28)×8   | Set screw 15/64(28)×7                       |                |  |  |  |                |
| 114      | M9 1802 006           | B 503851          | 棒先平ネジ 9/32(28)×14     | Set screw 9/32(28)                          |                |  |  |  |                |
| 115      | MG 10B0 325           | W502416           | 角 駒                   | Square block                                |                |  |  |  |                |
| 116      | MP 00B0 462           | W453576           | 上部上下送り腕               | Feed lifting rock shaft crank               |                |  |  |  |                |
| 117      | M9 1603 003           | W501009           | 丸 平 ネ ジ 1/4(24)×16    | Screw(for Fig. 116) 1/4(24)×16              |                |  |  |  |                |
| 118      | MG 10B0 750           | W462911           | ブ ッ シ ュ               | Bush(for Fig. 122)                          |                |  |  |  |                |
| 119      | M9 1654 001           | W501017           | 頭ナシ止メネジ 1/4(24)×13.8  | Set screw(for Fig. 128) 1/4(24)×13          |                |  |  |  |                |
| 120      | M9 0607 050           | W462759           | 座 金 M6                | Washer(for Fig. 122)                        |                |  |  |  |                |
| 121      | M9 1601 045           | W501989           | ナ ッ ト 1/4(24)×3.5     | Nut(for Fig. 122) 1/4(24)                   |                |  |  |  |                |
| 122      | MG 10B0 384           | W453577           | クランクロッド               | Crank rod                                   |                |  |  |  |                |
| 123      | MF 60A0 700           | W500836           | バ ネ                   | Spring(for Fig. 122)                        |                |  |  |  |                |
| 124      | M9 1606 001           | B 504016          | 頭ナシ止メネジ 1/4(40)×7     | Set screw(for Fig. 125) 1/4(40)×6           |                |  |  |  |                |
| 125      | MG 10B0 760           | W453531           | 偏 心 輪                 | Lifting eccentric                           |                |  |  |  |                |
| 126      | ML 65B0 230           | W326244           | 上 軸                   | Arm shaft                                   |                |  |  |  |                |
| 127      | M9 1602 016           | W501006           | 段付丸平ネジ 1/4(24)×29     | Presser bar spring support screw            |                |  |  |  |                |
| 128      | ML 65B0 232           | W464462           | 上軸メタル (左)             | Arm shaft bushing(Left)                     |                |  |  |  |                |
| 129      | MF 10E1 148           | W462914           | 毛 糸                   | Yarn  |                |  |  |  |                |
| 130      | MN 10A2 740           | W501204           | フ ェ ル ト               | Felt(for Fig. 128)                          |                |  |  |  |                |
| 131      | M9 1601 033           | W445917           | 押エ調節ネジ 1/4(40)×78     | Presser bar spring regulating screw 1/4(40) |                |  |  |  |                |
| 132      | MM 11A0 255           | W453571           | 押エ上げ板                 | Lifting lever                               |                |  |  |  |                |
| 133      | MN 10A0 482           | W445867           | リ ン グ                 | Friction washer                             |                |  |  |  |                |
| 134      | M9 1208 002           | W500202           | 平 ネ ジ 3/16(28)×10.5   | Screw(for Fig. 132) 3/16(28)×10.5           |                |  |  |  |                |
| 135      | MN 10A0 258           | W319992           | 押エ板バネ                 | Presser bar spring (flat)                   |                |  |  |  |                |
| 136      | MM 11A0 729           | W445300           | ヒネリバネ                 | Knee lifter lifting lever return spring     |                |  |  |  |                |
| 137      | M9 1601 016           | W501020           | 段付丸平ネジ 1/4(24)×14     | Hinge screw                                 |                |  |  |  |                |
| 138      | MP 00B0 725           | W453590           | ヒザ上げテコ                | Knee lifter lifting lever                   |                |  |  |  |                |
| 139      | ML 65B0 477           | W501024           | ス ト ッ パ ー             | Stopper                                     |                |  |  |  |                |
|          |                       |                   |                       |   |                |  |  |  |                |
|          |                       |                   |                       |   |                |  |  |  |                |
|          |                       |                   |                       |   |                |  |  |  |                |
|          |                       |                   |                       |   |                |  |  |  |                |

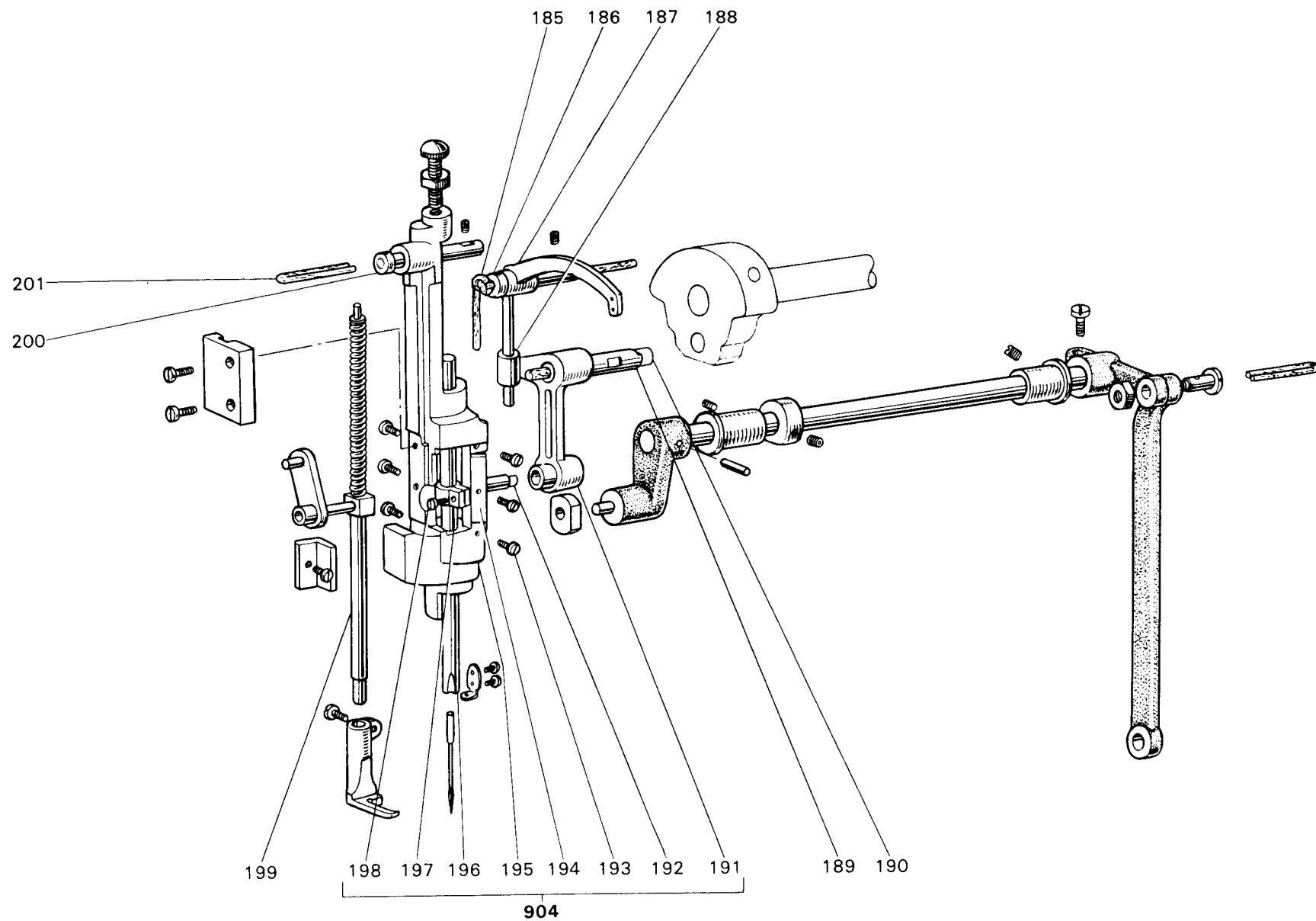
CU-865形 針棒搖動關係 NEEDLE BAR ROCK SHAFT MECHANISM



<CU-865形> 針棒揺動関係 NEEDLE BAR ROCK SHAFT MECHANISM

| Fig. No. | サービス部品コード<br>Part No. | 資材コード<br>Code No. | 部 品 名                 | Name of Part                                | 個 / 台 Amt. req |  |  |  |  | 備 考<br>Remarks |
|----------|-----------------------|-------------------|-----------------------|---|----------------|--|--|--|--|----------------|
|          |                       |                   |                       |   |                |  |  |  |  |                |
| 145      | M9 1251 045           | B 509177          | ナ ッ ト 3/16(32)×3      | Nut(for Fig. 146) 3/16(32)                  |                |  |  |  |  |                |
| 146      | M9 1201 035           | W502464           | ツ マ ミ ネ ジ 3/16(32)×39 | Thumb screw                                 |                |  |  |  |  |                |
| 147      | M9 1506 001           | B 509087          | 頭ナシ止メネジ 15/64(28)×7   | Set screw 15/64(28)×6                       |                |  |  |  |  |                |
| 148      | M9 1502 002           | W500509           | 平 ネ ジ 15/64(28)×12    | Set screw 15/64(28)×11                      |                |  |  |  |  |                |
| 149      | ML 65B0 668           | W465662           | 針棒揺動軸                 | Needle bar rock frame rocking shaft         |                |  |  |  |  |                |
| 150      | MP 00B0 672           | W453583           | 針棒揺動腕 (左)             | Needle bar rock arm (left)                  |                |  |  |  |  |                |
| 151      | M9 0401 061           | W501209           | テーパピン 4φ×23×1/50      | Taper pin                                   |                |  |  |  |  |                |
| 152      | M9 1653 001           | W500478           | 頭ナシ止メネジ 1/4(24)×8     | Set screw 1/4(24)×7                         |                |  |  |  |  |                |
| 153      | MN 10A0 669           | W462919           | 針棒揺動軸メタル (左)          | Needle bar rock shaft bushing               |                |  |  |  |  |                |
| 154      | ML 65B0 352           | W464068           | カ ラ ー                 | Collar                                      |                |  |  |  |  |                |
| 155      | M9 1601 020           | W462662           | 六角孔付止メネジ 1/4(40)×6    | Socket screw                                |                |  |  |  |  |                |
| 156      | M9 1653 001           | W500478           | 頭ナシ止メネジ 1/4(24)×8     | Set screw 1/4(24)×7                         |                |  |  |  |  |                |
| 157      | MN 10A1 669           | W445871           | 針棒揺動軸メタル (右)          | Needle bar rock shaft bushing (right)       |                |  |  |  |  |                |
| 158      | ML 65B0 672           | W464410           | 針棒揺動腕 (右)             | Needle bar rock arm (right)                 |                |  |  |  |  |                |
| 159      | M9 1603 003           | W501009           | 丸 平 ネ ジ 1/4(24)×16    | Screw 1/4(24)×16                            |                |  |  |  |  |                |
| 160      | M9 2002 045           | W501187           | ナ ッ ト 5/16(24)×5.5    | Nut 5/16(24)                                |                |  |  |  |  |                |
| 161      | MP 00B0 671           | W453585           | 針棒揺動連結桿               | Needle bar rock shaft connection link crank |                |  |  |  |  |                |
| 162      | M9 2001 015           | W501010           | 段付平ネジ 5/16(24)×26.2   | Screw                                       |                |  |  |  |  |                |
| 163      | MF 10E2 148           | W462978           | 油 ヒ モ 2.5φ×85         | Wick  |                |  |  |  |  |                |
| 164      | M9 0509 063           | W502445           | 揺動ピン 15/64(28)×24     | Pin(for Fig. 150)                           |                |  |  |  |  |                |
| 165      | MN 25A0 325           | W502443           | 角 駒                   | Square block                                |                |  |  |  |  |                |
| 166      | M9 0602 002           | W501567           | 平 ネ ジ 3/32(56)×3      | Screw 3/32(56)×3                            |                |  |  |  |  |                |
| 167      | M9 0801 002           | W501391           | 平 ネ ジ 1/8(44)×3       | Needle clamp screw 1/8(44)×4.4              |                |  |  |  |  |                |
| 168      | MP 00B1 181           | W457584           | 針棒糸カケ                 | Needle bar thread guide                     |                |  |  |  |  |                |
| 169      | MF 22B0 128           | DP×17 #21         | 針 DP×17 #21           | Needle                                      |                |  |  |  |  |                |
| 170      | ML 65B0 107           | W464405           | 内 押 エ                 | Inside presser foot                         |                |  |  |  |  |                |
| 171      | M9 0907 002           | W500076           | 平 ネ ジ 9/64(40)×5      | Screw(for Fig. 170)×9/64(40)×5              |                |  |  |  |  |                |
| 172      | M9 1105 002           | W500450           | 平 ネ ジ 11/64(40)×10    | Screw 11/64(40)×8                           |                |  |  |  |  |                |
| 173      | MP 00B0 667           | W453582           | 針棒支エガイド               | Needle bar rock frame guide                 |                |  |  |  |  |                |
| 174      | M9 00B0 882           | W453587           | 揺動押エ棒リンク              | Vibrating presser bar connecting link       |                |  |  |  |  |                |
| 175      | M9 1113 002           | W500182           | 平 ネ ジ 11/64(40)×15    | Screw (for Fig. 176) 11/64(40)×15           |                |  |  |  |  |                |
| 176      | MP 00B0 883           | W453581           | 揺動押エ棒案内               | Vibrating presser bar guide                 |                |  |  |  |  |                |
| 177      | MH 19A0 259           | W462921           | 押 エ バ ネ               | Extension spring                            |                |  |  |  |  |                |
| 178      | MP 00B0 884           | W453589           | 揺動押エバネ案内              | Vibrating presser bar extension             |                |  |  |  |  |                |

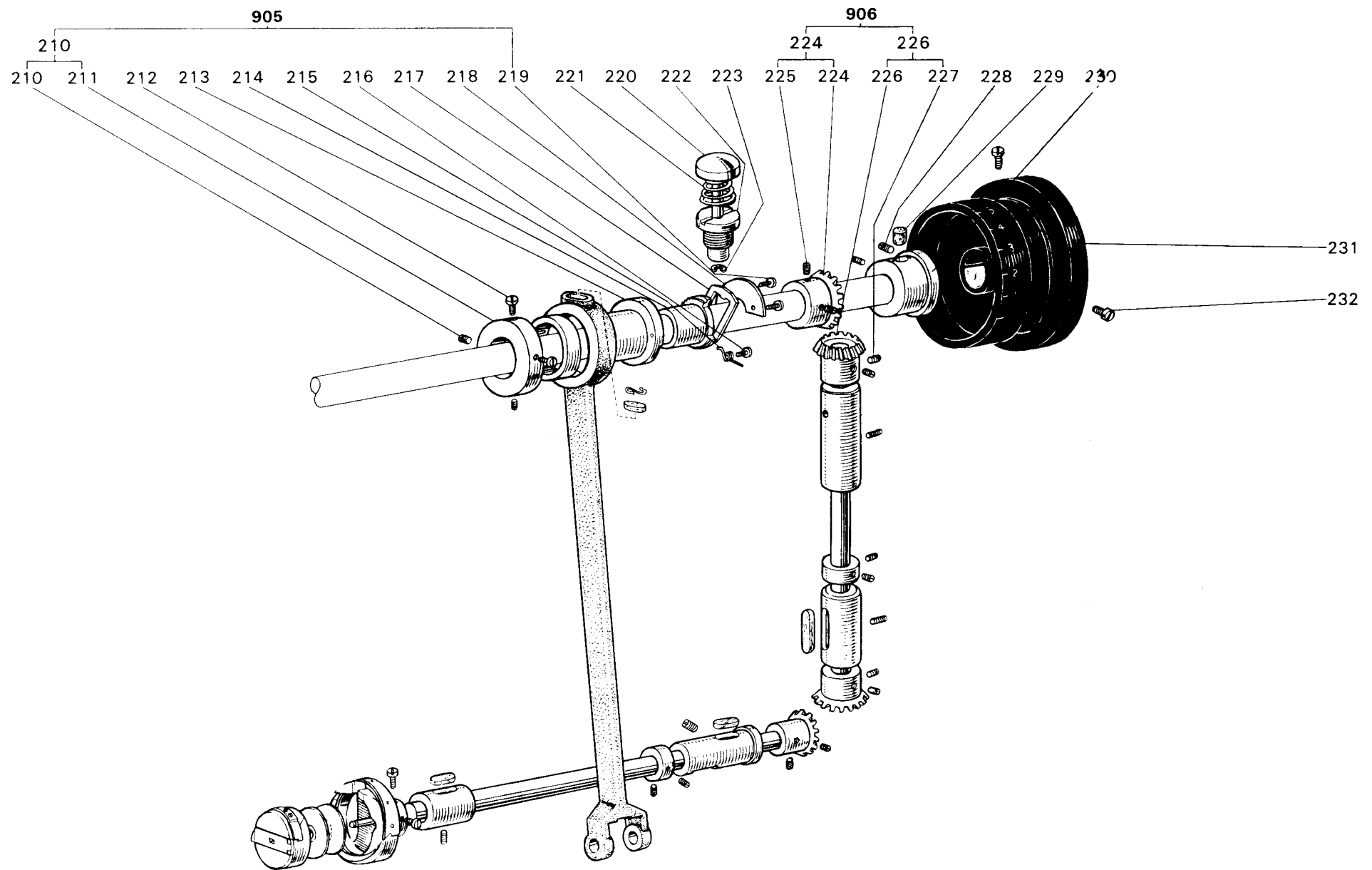
CU-865形 天秤 針棒支え関係 NEEDLE BAR ROCK FRAME & THREAD TAKE-UP MECHANISM



＜CU-865形＞ 天秤・針棒支え関係 NEEDLE BAR ROCK FRAME & THREAD TAKE-UP MECHANISM

| Fig. No. | サービス部品コード<br>Part No. | 資材コード<br>Code No. | 部 品 名              | Name of Part                      | 個 / 台 Amt. req |  |  |  |  | 備考<br>Remarks |               |
|----------|-----------------------|-------------------|--------------------|-----------------------------------|----------------|--|--|--|--|---------------|---------------|
|          |                       |                   |                    |                                   |                |  |  |  |  |               |               |
| 185      | MF 10E2 148           | W444138           | 油 ヒ モ 2.5φ×240     | Oil wick                          |                |  |  |  |  |               |               |
| 186      | M9 0710 063           | W445883           | 支 エ 軸 7.94φ×36     | Take-up lever hinge stud          |                |  |  |  |  |               |               |
| 187      | MP 00B0 582           | W462789           | 天 秤                | Thread take-up lever              |                |  |  |  |  |               |               |
| 188      | MN 10A0 588           | W445881           | 天 秤 ス ベ リ          | Take-up lever driving stud        |                |  |  |  |  |               |               |
| 189      | MN 10A0 387           | W445866           | ク ラ ン ク ピ ン        | Crank pin                         |                |  |  |  |  |               |               |
| 190      | MN 10A1 740           | W500801           | フ ェ ル ト            | Felt (for Fig. 189)               |                |  |  |  |  |               |               |
| 904      | ML 65E0 666           | W326220           | 針 棒 支 エ (組)        | Needle bar rock frame cpl.        |                |  |  |  |  |               |               |
| 191      | MP 00B0 661           | W326221           | 針 棒 ク ラ ン ク ロ ッ ド  | Needle bar connecting link        |                |  |  |  |  |               | Fig.No.904ニ含ム |
| 192      | MN 10A0 740           | W500499           | フ ェ ル ト            | Felt(for Fig. 197)                |                |  |  |  |  |               |               |
| 193      | M9 0604 011           | W501205           | 丸 皿 ネ ジ 3/32(56)×4 | Screw(for Fig. 194) 3/32(56) ×4   |                |  |  |  |  |               | Fig.No.904ニ含ム |
| 194      | MP 00B0 476           | W454800           | ス ペ ー サ            | Spacer                            |                |  |  |  |  |               | //            |
| 195      | MP 00B0 666           | W220605           | 針 棒 支 エ            | Needle bar rock frame             |                |  |  |  |  |               | //            |
| 196      | MP 00B0 660           | W446382           | 針 棒                | Needle bar                        |                |  |  |  |  |               | //            |
| 197      | MP 00B0 665           | W462920           | 針 棒 ダ キ            | Needle bar connecting stud        |                |  |  |  |  |               | //            |
| 198      | M9 0905 002           | W500470           | 平 ネ ジ 9/64(40)×8.5 | Screw(for Fig. 197) 9/64(40) ×8.5 |                |  |  |  |  |               | //            |
| 199      | MP 00B0 881           | W453588           | 揺 動 押 エ 棒          | Vibrating presser bar             |                |  |  |  |  |               |               |
| 200      | MN 10A0 587           | W445883           | 支 エ 軸              | Hinge stud (for Fig. 195)         |                |  |  |  |  |               |               |
| 201      | MF 10E2 148           | W462979           | 油 ヒ モ 2.5φ×80      | Oil wick (for Fig. 200)           |                |  |  |  |  |               |               |
|          |                       |                   |                    |                                   |                |  |  |  |  |               |               |
|          |                       |                   |                    |                                   |                |  |  |  |  |               |               |
|          |                       |                   |                    |                                   |                |  |  |  |  |               |               |
|          |                       |                   |                    |                                   |                |  |  |  |  |               |               |
|          |                       |                   |                    |                                   |                |  |  |  |  |               |               |
|          |                       |                   |                    |                                   |                |  |  |  |  |               |               |
|          |                       |                   |                    |                                   |                |  |  |  |  |               |               |
|          |                       |                   |                    |                                   |                |  |  |  |  |               |               |
|          |                       |                   |                    |                                   |                |  |  |  |  |               |               |
|          |                       |                   |                    |                                   |                |  |  |  |  |               |               |
|          |                       |                   |                    |                                   |                |  |  |  |  |               |               |
|          |                       |                   |                    |                                   |                |  |  |  |  |               |               |
|          |                       |                   |                    |                                   |                |  |  |  |  |               |               |
|          |                       |                   |                    |                                   |                |  |  |  |  |               |               |
|          |                       |                   |                    |                                   |                |  |  |  |  |               |               |

# CU-865形 送り調節器関係 STITCH LENGTH REGULATOR MECHANISM

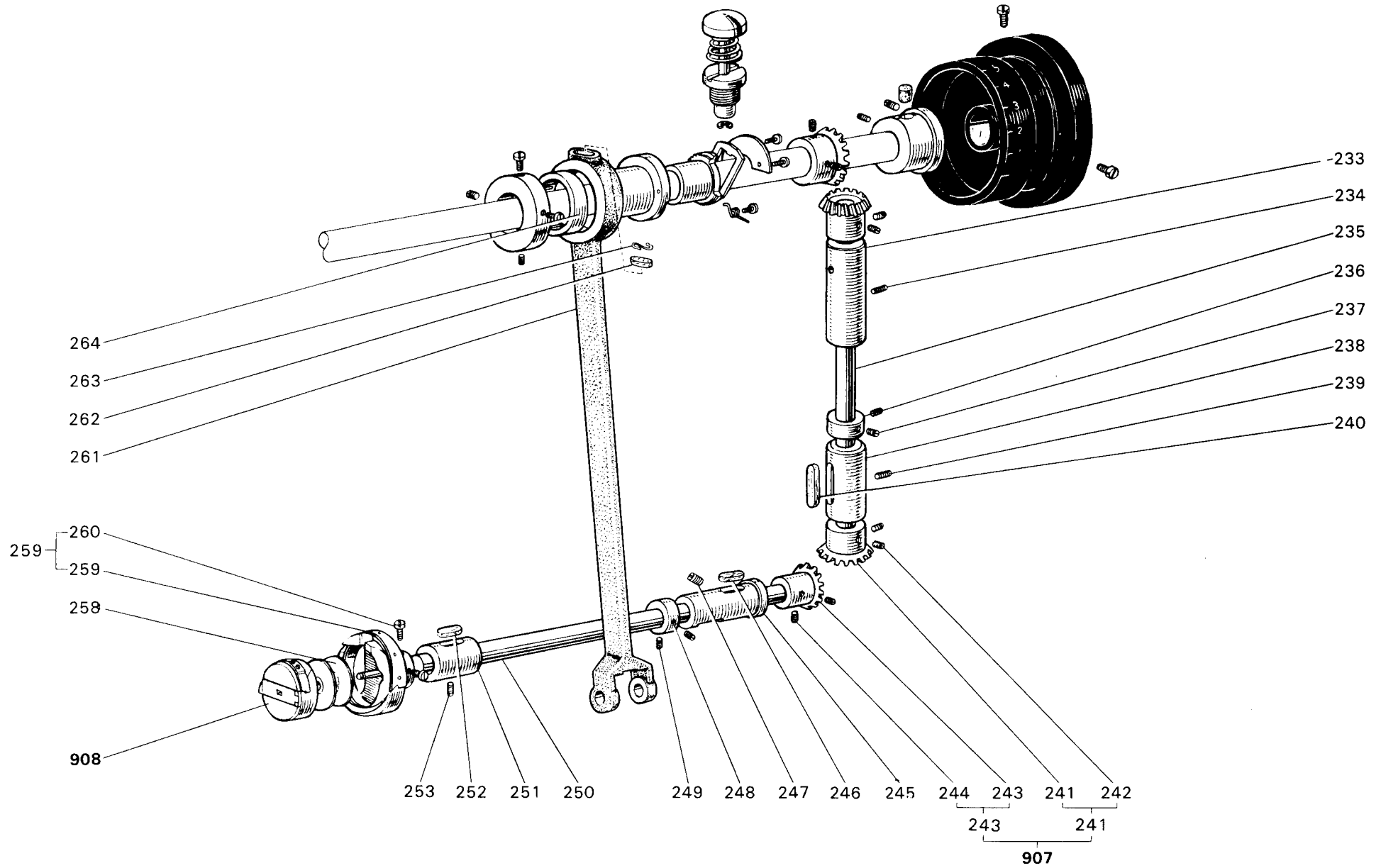


<CU-865形> 送り調節器関係 STITCH LENGTH REGULATOR MECHANISM

| Fig. No.   | サービス部品コード<br>Part No. | 資材コード<br>Code No. | 部 品 名                   | Name of Part                                | 個 / 台 Amt. req |  |  |  |  | 備 考<br>Remarks |
|------------|-----------------------|-------------------|-------------------------|---|----------------|--|--|--|--|----------------|
|            |                       |                   |                         |   |                |  |  |  |  |                |
| <b>905</b> | <b>ML 65E0 290</b>    | <b>W464072</b>    | 送り調節器 (組)               | <b>Feed regulator complete</b>              |                |  |  |  |  | Fig.No.905ニ含ム  |
| 210        |                       | W450960           | カ ラ ー                   | Feed lifting cam                            |                |  |  |  |  | //             |
| 211        | M9 1511 001           | W500706           | 頭ナシ止メネジ 15/64(28)×9.5   | Set screw(for Fig. 210) 15/64(28)×9         |                |  |  |  |  | //             |
| 212        | M9 1501 002           | W500945           | 平 ネ ジ 15/67(28)×8.5     | Set screw(for Fig. 210) 15/64(28)×8.5       |                |  |  |  |  | //             |
| 213        |                       | W464460           | 駆 動 輪                   | Feed rock shaft can                         |                |  |  |  |  | //             |
| 214        |                       | W464073           | 偏 心 輪                   | Eccentric ring                              |                |  |  |  |  | //             |
| 215        |                       | W501163           | ヒ ネ リ バ ネ               | Spring (for Fig. 217)                       |                |  |  |  |  | //             |
| 216        | M9 0901 015           | W501162           | 段 付 平 ネ ジ 9/64(40)×11.3 | Screw(for Fig. 215)                         |                |  |  |  |  | //             |
| 217        |                       | W446370           | ク ラ ッ チ 板               | Clutch plate (for Fig. 214)                 |                |  |  |  |  | //             |
| 218        |                       | W446371           | カ バ ー 板                 | Cover plate (for Fig. 213)                  |                |  |  |  |  | //             |
| 219        | M9 0906 002           | W500791           | 平 ネ ジ 9/64(40)×4.5      | Screw(for Fig. 218) 9/64(40)×4.5            |                |  |  |  |  | //             |
| 220        | ML 65B0 270           | W464074           | 押 シ ボ タ ン               | Push button(for feed regulator)             |                |  |  |  |  |                |
| 221        | MF 30A0 245           | W462657           | 円 錐 バ ネ                 | Spring (for Fig. 220)                       |                |  |  |  |  |                |
| 222        | ML 65B0 750           | W464064           | ブ ッ シ ュ                 | Bushing (for Fig. 220)                      |                |  |  |  |  |                |
| 223        | M9 0505 065           | W461793           | 止 メ 輪 E5                | Snap-ring (for Fig. 220)                    |                |  |  |  |  |                |
| <b>906</b> | <b>MF 10E0 335</b>    | <b>W462638</b>    | 傘 歯 車 (組)               | <b>Feed regulating push button complete</b> |                |  |  |  |  | Fig.No.906ニ含ム  |
| 224        | MF 10A0 331           | W444106           | 傘 歯 車 (上軸)              | Bevel gear (arm shaft)                      |                |  |  |  |  | //             |
| 225        | M9 1606 001           | B 504016          | 頭ナシ止メネジ 1/4(40)×7       | Set screw(for Fig. 224) 1/4(40)×6           |                |  |  |  |  | //             |
| 226        | MF 10A0 333           | W444107           | 傘 歯 車 (堅上)              | Bevel gear (vertical shaft upper)           |                |  |  |  |  | //             |
| 227        | M9 1606 001           | B 504016          | 頭ナシ止メネジ 1/4(40)×7       | Set screw(for Fig. 226) 1/4(40)×6           |                |  |  |  |  | //             |
| 228        | M9 1654 001           | W501017           | 頭ナシ止メネジ 1/4(24)×13.8    | Set screw 1/4(40)×12                        |                |  |  |  |  |                |
| 229        | MN 10A2 740           | W500619           | フ ェ ル ト                 | Felt (for Fig. 230)                         |                |  |  |  |  |                |
| 230        | ML 65B0 231           | W464065           | 上 軸 メ タ ル               | Arm shaft bushing (back)                    |                |  |  |  |  |                |
| 231        | MM 11A0 682           | W453501           | ハ ズ ミ 車                 | Balance wheel                               |                |  |  |  |  |                |
| 232        | M9 1502 002           | W500509           | 平 ネ ジ 15/64(28)×12      | Set screw(for Fig. 231) 15/64(28)×12        |                |  |  |  |  |                |
|            |                       |                   |                         |   |                |  |  |  |  |                |
|            |                       |                   |                         |   |                |  |  |  |  |                |
|            |                       |                   |                         |   |                |  |  |  |  |                |
|            |                       |                   |                         |   |                |  |  |  |  |                |
|            |                       |                   |                         |   |                |  |  |  |  |                |
|            |                       |                   |                         |   |                |  |  |  |  |                |
|            |                       |                   |                         |   |                |  |  |  |  |                |
|            |                       |                   |                         |   |                |  |  |  |  |                |
|            |                       |                   |                         |   |                |  |  |  |  |                |
|            |                       |                   |                         |   |                |  |  |  |  |                |
|            |                       |                   |                         |   |                |  |  |  |  |                |
|            |                       |                   |                         |   |                |  |  |  |  |                |
|            |                       |                   |                         |   |                |  |  |  |  |                |
|            |                       |                   |                         |   |                |  |  |  |  |                |



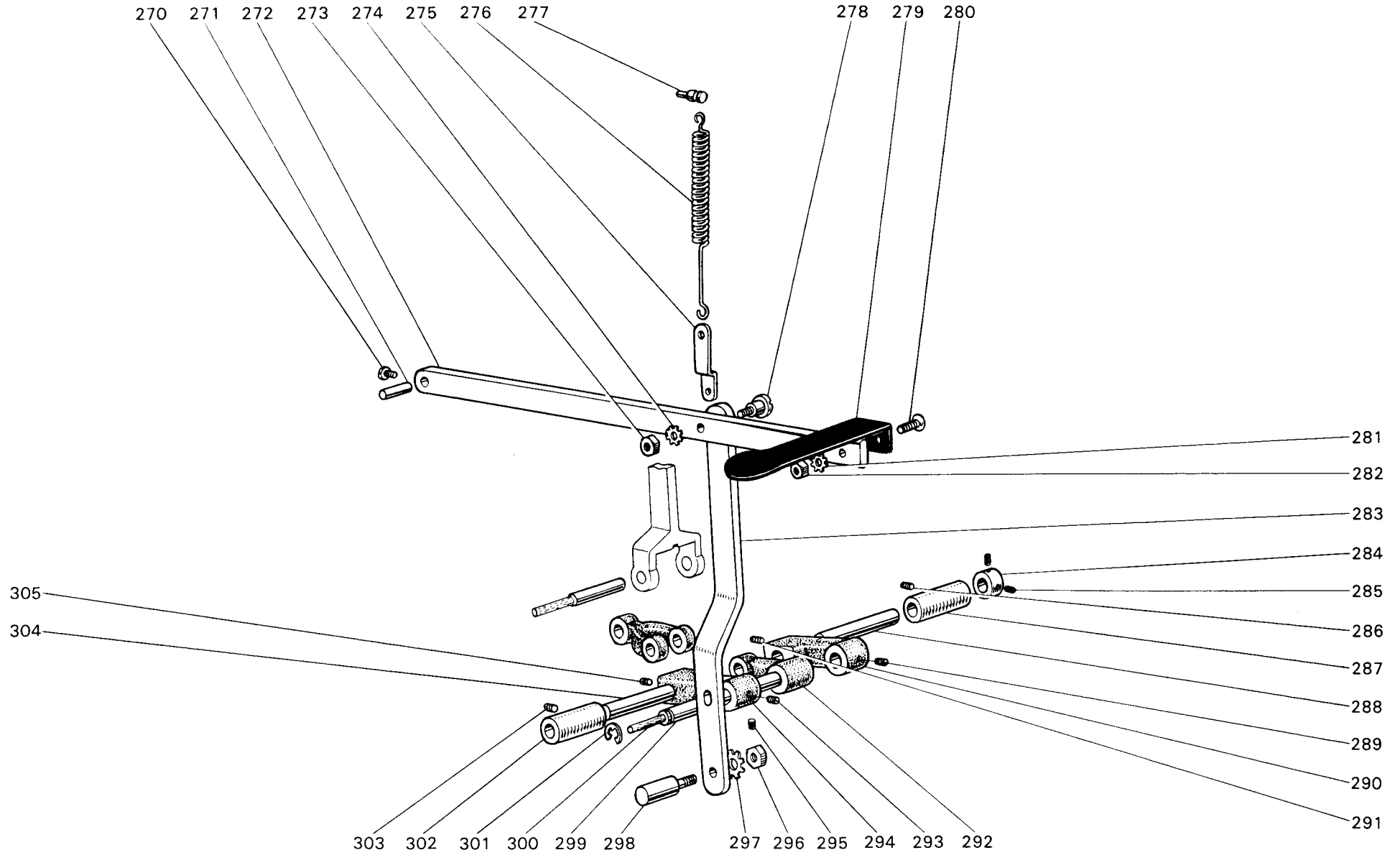
CU-865形 豎軸・下軸關係    VERTICAL SHAFT & ROTATING HOOK  
SHAFT MECHANISM



<CU-865形> 縦軸・下軸関係 VERTICAL SHAFT & ROTATING HOOK SHAFT MECHANISM

| Fig. No.   | サービス部品コード<br>Part No. | 資材コード<br>Code No. | 部 品 名                 | Name of Part                          | 個 / 台 Amt. req |  |  |  |  | 備 考<br>Remarks  |
|------------|-----------------------|-------------------|-----------------------|---------------------------------------|----------------|--|--|--|--|-----------------|
|            |                       |                   |                       |                                       |                |  |  |  |  |                 |
| 233        | ML 65B0 521           | W464071           | 縦軸メタル (上)             | Vertical shaft bushing (upper)        |                |  |  |  |  |                 |
| 234        | M9 1513 001           | B 509060          | 頭ナシ止メネジ 15/64(28)×11  | Set screw (for Fig. 233) 15/64(28)×10 |                |  |  |  |  |                 |
| 235        | ML 65B0 520           | W464070           | 縦 軸                   | Vertical shaft                        |                |  |  |  |  |                 |
| 236        | MF 10A0 352           | B 422844          | カ ラ ー                 | Vertical shaft collar                 |                |  |  |  |  |                 |
| 237        | M9 1503 001           | B 508971          | 頭ナシ止メネジ 15/64(28)×4.5 | Set screw (for Fig. 236) 15/64(28)×4  |                |  |  |  |  |                 |
| 238        | MF 67B0 522           | W462734           | 縦軸メタル (下)             | Vertical shaft bushing (under)        |                |  |  |  |  |                 |
| 239        | M9 1513 001           | B 509060          | 頭ナシ止メネジ 15/64(28)×11  | Set screw (for Fig. 238) 15/64(28)×10 |                |  |  |  |  |                 |
| 240        | MF 60A3 740           | W500956           | フ ェ ル ト               | Felt (for Fig. 238)                   |                |  |  |  |  |                 |
| <b>907</b> | <b>MF 10E0 336</b>    | <b>W462637</b>    | <b>傘 歯 車 (組)</b>      | <b>Hook shaft bevel gear complete</b> |                |  |  |  |  |                 |
| 241        | MF 10A0 334           | W444109           | 傘 歯 車 (堅下)            | Bevel gear (vertical shaft under)     |                |  |  |  |  | Fig. No. 907ニ含ム |
| 242        | M9 1606 001           | B 504016          | 頭ナシ止メネジ 1/4(40)×7     | Set screw (for Fig. 741) 1/4(40)×6    |                |  |  |  |  | //              |
| 243        | MF 60A0 332           | W462639           | 傘 歯 車 (下軸)            | Bevel gear (hook shaft)               |                |  |  |  |  | //              |
| 244        | M9 1606 001           | B 504016          | 頭ナシ止メネジ 1/4(40)×7     | Set screw (for Fig. 243) 1/4(40)×6    |                |  |  |  |  | //              |
| 245        | ML 65B0 452           | W464085           | 下軸メタル (右)             | Rotating hook shaft bushing (right)   |                |  |  |  |  |                 |
| 246        | MG 30B0 740           | W464014           | フ ェ ル ト               | Felt (for Fig. 245)                   |                |  |  |  |  |                 |
| 247        | M9 1508 001           | B 509088          | 頭ナシ止メネジ 15/64(28)×8   | Set screw (for 245) 15/64(28)×8       |                |  |  |  |  |                 |
| 248        | MF 60A0 352           | W461790           | カ ラ ー                 | Rotating hook shaft collar            |                |  |  |  |  |                 |
| 249        | M9 1503 001           | B 508971          | 頭ナシ止メネジ 15/64(28)×4.5 | Set screw (for Fig. 248) 15/64(28)×4  |                |  |  |  |  |                 |
| 250        | ML 65B0 450           | W464084           | 下 軸                   | Rotating hook shaft                   |                |  |  |  |  |                 |
| 251        | ML 65B0 451           | W464086           | 下軸メタル (左)             | Rotating hook shaft bushing (left)    |                |  |  |  |  |                 |
| 252        | MG 30B0 740           | W464014           | フ ェ ル ト               | Felt (for Fig. 251)                   |                |  |  |  |  |                 |
| 253        | M9 1513 001           | B 509060          | 頭ナシ止メネジ 15/64(28)×11  | Set screw (for Fig. 251) 15/64(28)×10 |                |  |  |  |  |                 |
| <b>908</b> | <b>MF 10E0 125</b>    | <b>W461742</b>    | <b>ボビンケース(組)</b>      | <b>Bobbin case complete</b>           |                |  |  |  |  |                 |
| 258        | MF 10A0 123           | W462632           | ボ ビ ン                 | Bobbin                                |                |  |  |  |  |                 |
| 259        | ML 65B0 120           | B 209053          | カ マ DB1-Z14           | Rotating hook                         |                |  |  |  |  |                 |
| 260        | M9 1102 002           | W500193           | 平 ネ ジ 11/64(40)×8.5   | Set screw (for Fig. 259) 11/64(40)×4  |                |  |  |  |  |                 |
| 261        | ML 65B0 384           | W326245           | クランクロッド               | Feed rock shaft crank rod             |                |  |  |  |  |                 |
| 262        | MF 60A1 740           | W500738           | フ ェ ル ト               | Felt (for Fig. 261)                   |                |  |  |  |  |                 |
| 263        | MF 60A0 700           | W500836           | バ ネ                   | Spring (for Fig. 261)                 |                |  |  |  |  |                 |
| 264        | M9 0103 070           | W462946           | ニードルローラベアリング          | Needle roller bearing                 |                |  |  |  |  |                 |
|            |                       |                   |                       |                                       |                |  |  |  |  |                 |
|            |                       |                   |                       |                                       |                |  |  |  |  |                 |
|            |                       |                   |                       |                                       |                |  |  |  |  |                 |
|            |                       |                   |                       |                                       |                |  |  |  |  |                 |

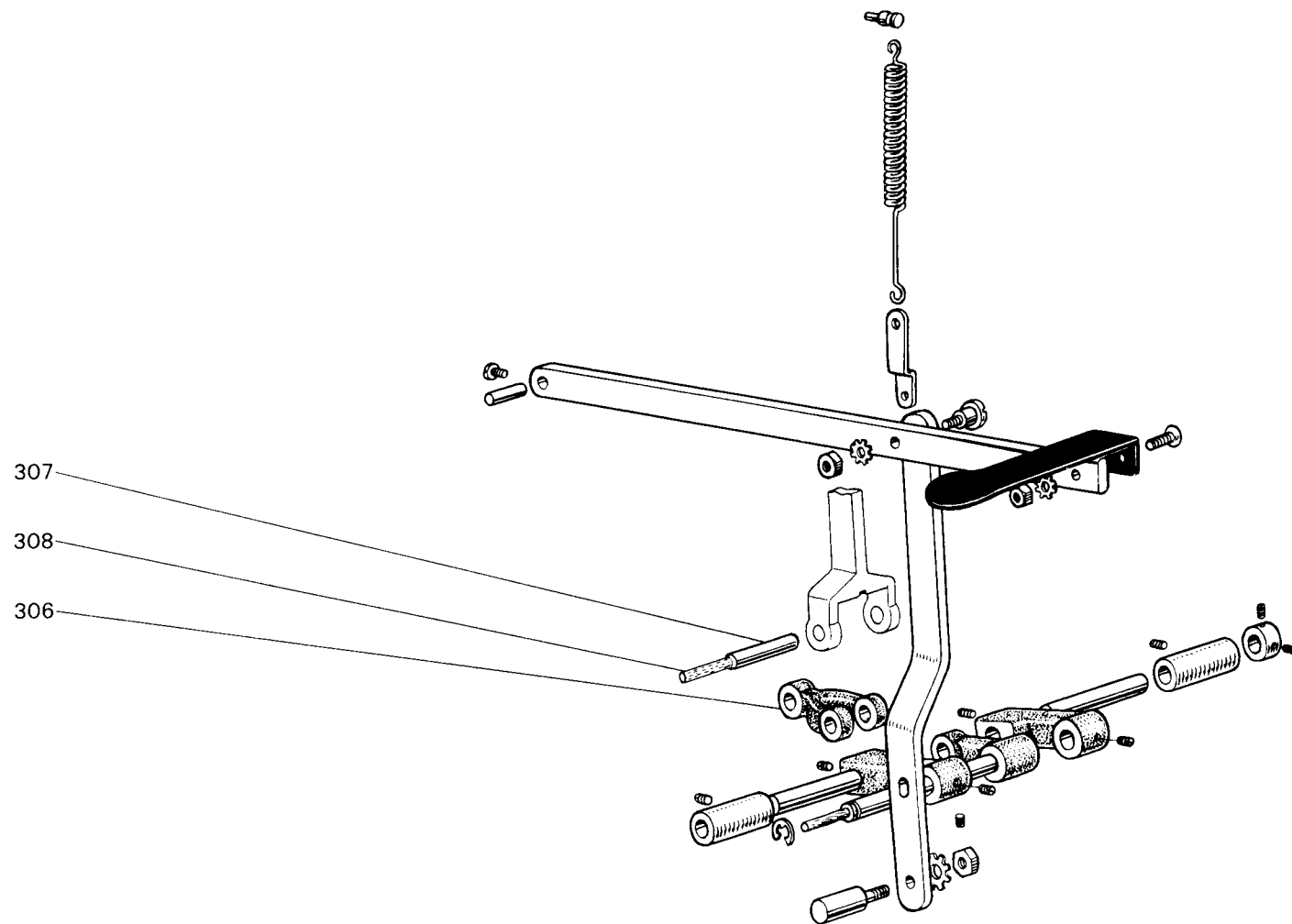
# CU-865形 返し縫い関係 REVERSE SEWING MECHANISM



<CU-865形> 返し縫い関係 REVERSE SEWING MECHANISM

| Fig. No. | サービス部品コード<br>Part No. | 資材コード<br>Code No. | 部 品 名                   | Name of Part                            | 個 / 台 Amt. req |  |  |  |  | 備 考<br>Remarks |
|----------|-----------------------|-------------------|-------------------------|---|----------------|--|--|--|--|----------------|
|          |                       |                   |                         |   |                |  |  |  |  |                |
| 270      | M9 0903 002           | B 509065          | 平 ネ ジ 9/64(40)×6.5      | Screw (for Fig. 213) 9/64(40)×6.5       |                |  |  |  |  |                |
| 271      | M9 0604 060           | W502791           | ピ ン 6.35φ×20            | Pin (for Fig. 272)                      |                |  |  |  |  |                |
| 272      | ML 65B0 322           | W464076           | 返シ縫イテコ                  | Feed reversing lever                    |                |  |  |  |  |                |
| 273      | M9 1502 045           | W501883           | ナ ッ ト 15/64(28)×4       | Nut (for Fig. 278) 15/64(28)            |                |  |  |  |  |                |
| 274      | M9 0601 051           | W462950           | 歯 付 座 金 B6              | Toothed lock washer                     |                |  |  |  |  |                |
| 275      | MF 10A0 708           | W501378           | バネ 止 メ 板                | Bracket                                 |                |  |  |  |  |                |
| 276      | ML 65B0 572           | W465675           | ツル 巻 キ バネ               | Spring (for Fig. 275)                   |                |  |  |  |  |                |
| 277      | M9 1101 030           | W502032           | バネ掛ケピン特殊ネジ 11/64(40)×19 | Pin (for Fig. 276)                      |                |  |  |  |  |                |
| 278      | M9 1506 015           | W501246           | 段 付 平 ネ ジ 15/64(28)×16  | Hinge screw                             |                |  |  |  |  |                |
| 279      | MN 15A0 321           | W459355           | 返シ縫イ板                   | Reverse sewing lever                    |                |  |  |  |  |                |
| 280      | M9 1201 010           | W501934           | 皿 ネ ジ 3/16(28)×10       | Screw (for Fig. 279) 3/16(28)×10        |                |  |  |  |  |                |
| 281      | M9 0601 051           | W462950           | 歯 付 座 金 B6              | Toothed lock washer                     |                |  |  |  |  |                |
| 282      | M9 1202 045           | W500001           | ナ ッ ト 3/16(28)×4        | Nut (for Fig. 280) 3/16(28)             |                |  |  |  |  |                |
| 283      | ML 65B0 953           | W465676           | 連 結 板                   | Reversing link                          |                |  |  |  |  |                |
| 284      | MM 11A0 352           | W446142           | カ ラ ー                   | Reversing shaft collar                  |                |  |  |  |  |                |
| 285      | M9 1506 001           | B 509087          | 頭ナシ止メネジ 15/64(28)×7     | Set screw (for Fig. 284) 15/64(28)×7    |                |  |  |  |  |                |
| 286      | M9 1508 001           | B 509088          | 頭ナシ止メネジ 15/64(28)×8     | Set screw (for Fig. 287) 15/64(28)×8    |                |  |  |  |  |                |
| 287      | ML 65B0 833           | W452930           | メ タ ル                   | Reversing shaft bushing                 |                |  |  |  |  |                |
| 288      | ML 65B0 320           | W464078           | 返シ縫イ軸                   | Reversing shaft                         |                |  |  |  |  |                |
| 289      | M9 1503 001           | B 508971          | 頭ナシ止メネジ 15/64(28)×4.5   | Set screw (for Fig. 290) 15/64(28)×4.5  |                |  |  |  |  |                |
| 290      | MN 15A0 323           | W461018           | 返シ縫イ腕                   | Reverse sewing crank arm                |                |  |  |  |  |                |
| 291      | M9 1106 001           | B 509266          | 頭ナシ止メネジ 11/64(40)×4.3   | Set screw (for Fig. 290) 11/64(40)×4.3  |                |  |  |  |  |                |
| 292      | MN 15A0 886           | W460582           | 揺 動 腕                   | Reversing support link                  |                |  |  |  |  |                |
| 293      | M9 1503 001           | B 508971          | 頭ナシ止メネジ 15/64(28)×4.5   | Set screw (for Fig. 294) 15/64(28)×4.5  |                |  |  |  |  |                |
| 294      | MN 15A0 323           | W461018           | 返シ縫イ腕                   | Reverse sewing crank arm                |                |  |  |  |  |                |
| 295      | M9 1202 001           | W500151           | 頭ナシ止メネジ 3/16(28)×6      | Set screw (for Fig. 294) 3/16(28)×6.5   |                |  |  |  |  |                |
| 296      | M9 1502 045           | W501883           | ナ ッ ト 15/64(28)×4       | Nut (for Fig. 298)                      |                |  |  |  |  |                |
| 297      | M9 0601 051           | W462950           | 歯 付 座 金 B6              | Toothed lock washer                     |                |  |  |  |  |                |
| 298      | M9 0513 063           | W465677           | 偏 心 ピ ン                 | Eccentric pin                           |                |  |  |  |  |                |
| 299      | ML 65B0 454           | W464079           | 軸                       | Reversing support shaft                 |                |  |  |  |  |                |
| 300      | MF 10E2 148           | W462729           | 油 ヒ モ 2.5φ×125          | Oil wick                                |                |  |  |  |  |                |
| 301      | M9 0507 065           | W464080           | E 型 止 メ 輪 E7            | Retaining ring (E type)                 |                |  |  |  |  |                |
| 302      | ML 65B1 833           | W452935           | メ タ ル                   | Reversing shaft bushing                 |                |  |  |  |  |                |
| 303      | M9 1508 001           | B 509088          | 頭ナシ止メネジ 15/64(28)×8     | Set screw (for Fig. 302) 15/64(28)×7    |                |  |  |  |  |                |
| 304      | ML 65B0 320           | W464078           | 返シ縫イ軸                   | Reversing shaft                         |                |  |  |  |  |                |
| 305      | M9 1106 001           | B 509266          | 頭ナシ止メネジ 11/64(40)×4.3   | Set screw (for Fig. 294) 11/64(40)×3.75 |                |  |  |  |  |                |

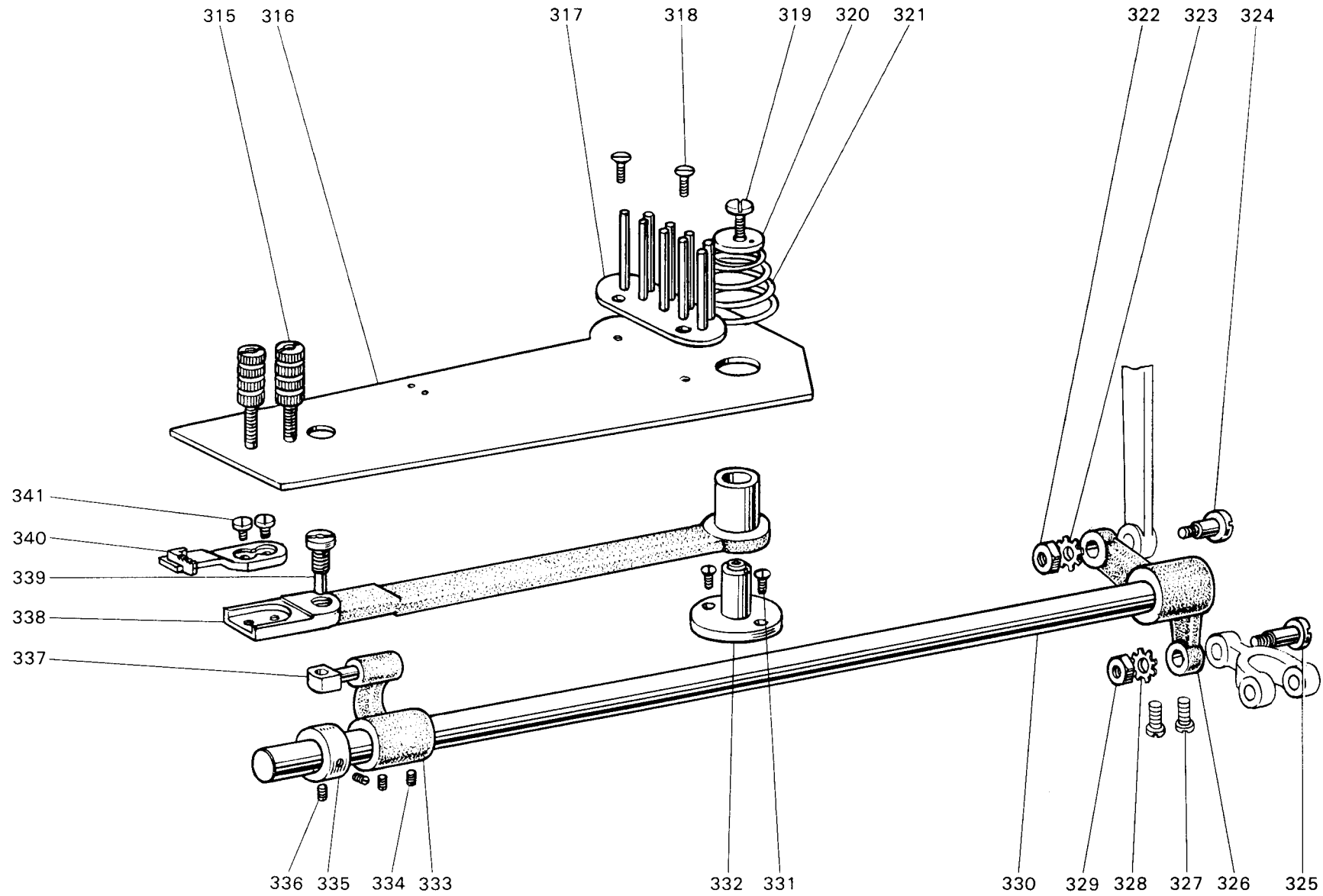
CU-865形 返し縫い関係 REVERSE SEWING MECHANISM



<CU-865形> 返し縫い関係 REVERSE SEWING MECHANISM

| Fig.<br>No. | サービス部品コード<br>Part No. | 資材コード<br>Code No. | 部 品 名         | Name of Part                     | 個/台 Amt. req |  |  |  | 備 考<br>Remarks |
|-------------|-----------------------|-------------------|---------------|----------------------------------|--------------|--|--|--|----------------|
|             |                       |                   |               |                                  |              |  |  |  |                |
| 306         | MN 15A0 910           | W460584           | リ ン ク         | Feed driving connection link     |              |  |  |  |                |
| 307         | M9 0703 060           | W502921           | ピ ン 9.94φ×29  | Feed driving connection link pin |              |  |  |  |                |
| 308         | MF 10E2 148           | W462981           | 油 ヒ モ 2.5φ×60 | Oil wick (for Fig. 307)          |              |  |  |  |                |
|             |                       |                   |               |                                  |              |  |  |  |                |
|             |                       |                   |               |                                  |              |  |  |  |                |
|             |                       |                   |               |                                  |              |  |  |  |                |
|             |                       |                   |               |                                  |              |  |  |  |                |
|             |                       |                   |               |                                  |              |  |  |  |                |
|             |                       |                   |               |                                  |              |  |  |  |                |
|             |                       |                   |               |                                  |              |  |  |  |                |
|             |                       |                   |               |                                  |              |  |  |  |                |
|             |                       |                   |               |                                  |              |  |  |  |                |
|             |                       |                   |               |                                  |              |  |  |  |                |
|             |                       |                   |               |                                  |              |  |  |  |                |
|             |                       |                   |               |                                  |              |  |  |  |                |
|             |                       |                   |               |                                  |              |  |  |  |                |
|             |                       |                   |               |                                  |              |  |  |  |                |
|             |                       |                   |               |                                  |              |  |  |  |                |
|             |                       |                   |               |                                  |              |  |  |  |                |
|             |                       |                   |               |                                  |              |  |  |  |                |
|             |                       |                   |               |                                  |              |  |  |  |                |
|             |                       |                   |               |                                  |              |  |  |  |                |
|             |                       |                   |               |                                  |              |  |  |  |                |
|             |                       |                   |               |                                  |              |  |  |  |                |
|             |                       |                   |               |                                  |              |  |  |  |                |

# CU-865形 送り関係 FEED ROCK SHAFT MECHANISM

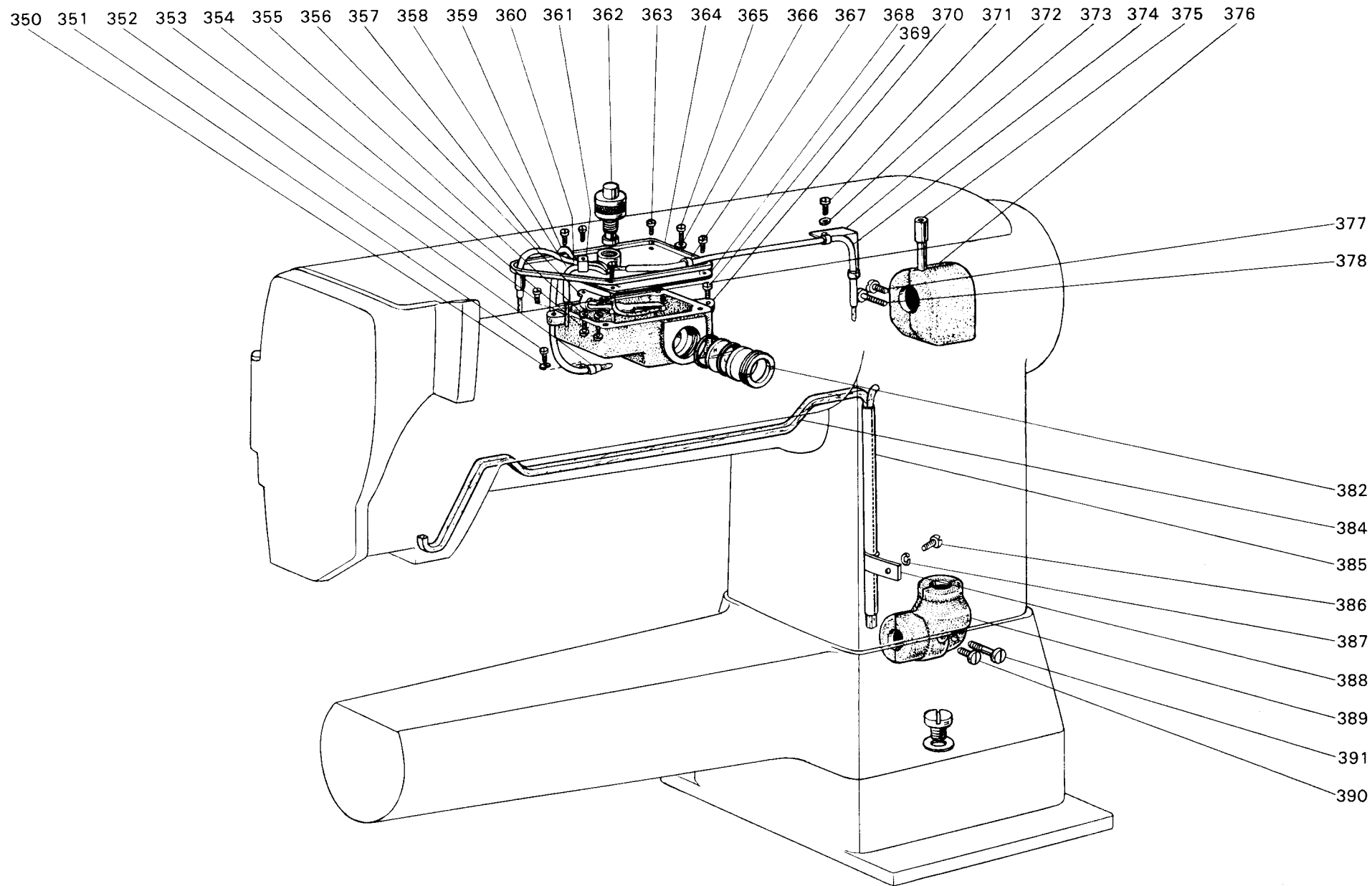


<CU-865形> 送り関係 FEED ROCK SHAFT MECHANISM

| Fig. No. | サービス部品コード<br>Part No. | 資材コード<br>Code No. | 部 品 名                       | Name of Part                         | 個 / 台 Amt. req |  |  |  |  | 備 考<br>Remarks |
|----------|-----------------------|-------------------|-----------------------------|--------------------------------------|----------------|--|--|--|--|----------------|
|          |                       |                   |                             |                                      |                |  |  |  |  |                |
| 315      | M9 1101 047           | W464099           | 調 節 ネ ジ 11/64(40)×19        | Nut                                  |                |  |  |  |  |                |
| 316      | ML 65B0 154           | W464096           | 送 り 案 内 板                   | Feed plate                           |                |  |  |  |  |                |
| 317      | ML 65B0 527           | W464097           | 台 板                         | Bese plate                           |                |  |  |  |  |                |
| 318      | M9 0901 011           | W500078           | 丸 皿 ネ ジ 9/64(40)×4          | Screw (for Fig. 317) 9/64(40)×4.5    |                |  |  |  |  |                |
| 319      | M9 1119 002           | W500491           | 平 ネ ジ 11/64(40)×6.8         | Screw (for Fig. 320) 11/64(40)×6     |                |  |  |  |  |                |
| 320      | M9 3002 052           | W464094           | 特 殊 座 金 6φ×20φ×2.4t         | Washer                               |                |  |  |  |  |                |
| 321      | ML 65B0 245           | W464095           | 円 錐 バ ネ                     | Conical spring                       |                |  |  |  |  |                |
| 322      | M9 1502 045           | W501883           | ナ ッ ッ ト 15/64(28)×4         | Nut 15/64(28)                        |                |  |  |  |  |                |
| 323      | M9 0601 051           | W462950           | 歯 付 座 金 B6                  | Toothed lock washers                 |                |  |  |  |  |                |
| 324      | M9 1508 016           | W464082           | 段 付 丸 平 ネ ジ 15/64(28)×24    | Hinge screw                          |                |  |  |  |  |                |
| 325      | M9 1510 015           | W464083           | 段 付 平 ネ ジ 15/64(28)×28      | Stud screw (for Fig. 326)            |                |  |  |  |  |                |
| 326      | ML 65B0 275           | W464081           | 送 り 腕 (右)                   | Feed rock shaft crank (right)        |                |  |  |  |  |                |
| 327      | M9 1502 002           | W500509           | 平 ネ ジ 15/64(28)×12          | Screw (for Fig. 326) 15/64(28)×12    |                |  |  |  |  |                |
| 328      | M9 0601 051           | W462950           | 歯 付 座 金 B6                  | Toothed lock washers                 |                |  |  |  |  |                |
| 329      | M9 1502 045           | W501883           | ナ ッ ッ ト 15/64(28)×4         | Nut 15/64(28)                        |                |  |  |  |  |                |
| 330      | ML 65B0 284           | W464089           | 送 り 軸                       | Feed rock shaft                      |                |  |  |  |  |                |
| 331      | M9 1203 003           | W501957           | 丸 平 ネ ジ 3/16(28)×6          | Screw 3/16(28)×6                     |                |  |  |  |  |                |
| 332      | ML 65B0 429           | W464092           | 送 り 揺 動 テ コ 支 台             | Feed bar stand                       |                |  |  |  |  |                |
| 333      | ML 65B0 273           | W464090           | 送 り 腕                       | Feed rock shaft crank                |                |  |  |  |  |                |
| 334      | M9 1502 001           | B 509349          | 頭 ナ シ 止 メ ネ ジ 15/64(28)×3.5 | Set screw (for Fig. 333) 15/64(28)×3 |                |  |  |  |  |                |
| 335      | ML 65B1 352           | W464091           | カ ラ ー                       | Collar (for Fig. 333)                |                |  |  |  |  |                |
| 336      | M9 1503 001           | B 508971          | 頭 ナ シ 止 メ ネ ジ 15/64(28)×4.5 | Set screw (for Fig. 335) 15/64(28)×4 |                |  |  |  |  |                |
| 337      | ML 65B0 487           | W464401           | ス ベ リ                       | Slide block                          |                |  |  |  |  |                |
| 338      | ML 65B0 281           | W464093           | 送 り 台                       | Feed bar                             |                |  |  |  |  |                |
| 339      | M9 2001 033           | W464400           | ピ ン ネ ジ 5/16(28)×15         | Screw pin                            |                |  |  |  |  |                |
| 340      | ML 65B0 104           | W464404           | 送 り                         | Feed dog                             |                |  |  |  |  |                |
| 341      | M9 1115 002           | W500121           | 平 ネ ジ 11/64(40)×4.2         | Screw (for Fig. 340) 11/64(40)×4.2   |                |  |  |  |  |                |
|          |                       |                   |                             |                                      |                |  |  |  |  |                |
|          | FLAT PARTS            |                   |                             |                                      |                |  |  |  |  |                |
|          | FEEL                  | ML66B0104         |                             |                                      |                |  |  |  |  |                |
|          | PLATE                 | ML66B0101         |                             |                                      |                |  |  |  |  |                |
|          | O.P.F.                | MP200B0106        |                             |                                      |                |  |  |  |  |                |
|          | I.P.F.                | MP200B0107        |                             |                                      |                |  |  |  |  |                |



# CU-865形 給油関係 LUBRICATION MECHANISM



<CU-865形> 給油関係 LUBRICATION MECHANISM

| Fig. No. | サービス部品コード<br>Part No. | 資材コード<br>Code No. | 部 品 名            | Name of Part                 | 個 / 台 Amt. req |  |  |  |  | 備 考<br>Remarks |
|----------|-----------------------|-------------------|------------------|------------------------------|----------------|--|--|--|--|----------------|
|          |                       |                   |                  |                              |                |  |  |  |  |                |
| 350      | M9 0302 053           | W462953           | バネ座金 3.5         | Spring washer                |                |  |  |  |  |                |
| 351      | M9 0903 002           | B 509065          | 平ネジ 9/64(40)×6.5 | Screw 9/64(40)×6.5           |                |  |  |  |  |                |
| 352      | MF 10A0 689           | W444230           | パイプホルダー          | Oil cotton braid holder      |                |  |  |  |  |                |
| 353      | M9 0924 002           | B 509068          | 平ネジ 9/64(40)×10  | Screw 9/64(40)×10            |                |  |  |  |  |                |
| 354      | M9 0804 002           | B 503897          | 平ネジ 1/8(44)×3.5  | Screw 1/8(44)×3.5            |                |  |  |  |  |                |
| 355      | M9 0301 053           | W461769           | バネ座金 3           | Springwasher                 |                |  |  |  |  |                |
| 356      | MN 10A1 192           | W446556           | 板バネ              | Leaf spring                  |                |  |  |  |  |                |
| 357      | MF 10E2 148           | W462982           | 油ヒモ 2.5φ×330     | Oil wick                     |                |  |  |  |  |                |
| 358      | MN 10A5 740           | W462954           | フェルト             | Felt                         |                |  |  |  |  |                |
| 359      | MP 00B0 731           | W462993           | ビニールパイプ          | Oil cotton braid holder pipe |                |  |  |  |  |                |
| 360      | MF 10E2 148           | W462729           | 油ヒモ 2.5φ×125     | Oil wick                     |                |  |  |  |  |                |
| 361      | MN 10A0 689           | W501220           | パイプホルダー          | Oil cotton braid holder      |                |  |  |  |  |                |
| 362      | MN 10A0 528           | W462955           | ダナー              | Oil plunger danner           |                |  |  |  |  |                |
| 363      | M9 0903 002           | B 509065          | 平ネジ 9/64(40)×6.5 | Screw 9/64(40)×6.5           |                |  |  |  |  |                |
| 364      | MP 00B0 742           | W326231           | フタ板              | Oil tank cover               |                |  |  |  |  |                |
| 365      | M9 0903 002           | B 509065          | 平ネジ 9/64(40)×6.5 | Screw 9/64(40)×6.5           |                |  |  |  |  |                |
| 366      | M9 0302 053           | W462953           | バネ座金 3.5         | Springwasher                 |                |  |  |  |  |                |
| 367      | MF 10A0 659           | W444230           | パイプホルダー          | Oil cotton braid holder      |                |  |  |  |  |                |
| 368      | MN 10A2 691           | W444116           | パッキン             | Gasket                       |                |  |  |  |  |                |
| 369      | M9 0903 002           | B 509065          | 平ネジ 9/64(40)×6.5 | Screw 9/64(40)×6.5           |                |  |  |  |  |                |
| 370      | MN 10A0 139           | W444114           | 油タンク             | Oil tank                     |                |  |  |  |  |                |
| 371      | M9 0903 002           | B 509065          | 平ネジ 9/64(40)×6.5 | Screw 9/64(40)×6.5           |                |  |  |  |  |                |
| 372      | M9 0302 053           | W462953           | バネ座金 3.5         | Springwasher                 |                |  |  |  |  |                |
| 373      | MN 25A1 689           | W446499           | パイプホルダー          | Oil cotton braid holder      |                |  |  |  |  |                |
| 374      | MN 10A0 731           | W462994           | ビニールパイプ          | Oil cotton braid holder pipe |                |  |  |  |  |                |
| 375      | M9 0512 063           | W464069           | ピン 5φ×27         | Pin                          |                |  |  |  |  |                |
| 376      | MF 60E0 711           | W464017           | 歯車箱(上)           | Gear case(up)                |                |  |  |  |  |                |
| 377      | M9 1851 002           | B 504000          | 平ネジ 9/32(20)×16  | Screw 9/32(20)×16            |                |  |  |  |  | Fig.No.376ニ含ム  |
| 378      | M9 1503 002           | W462784           | 平ネジ 15/64(28)×5  | Screw 15/64(28)×5            |                |  |  |  |  |                |
| 382      | MN 25A0 135           | W472784           | 油窓               | Oil check window             |                |  |  |  |  | 新W472784       |
| 384      | MN 25A1 740           | W462956           | フェルト             | Oil return felt              |                |  |  |  |  |                |
| 385      | MN 10A1 731           | W462995           | ビニールパイプ          | Oil felt braid holder pipe   |                |  |  |  |  |                |
| 386      | M9 0903 002           | B 509065          | 平ネジ 9/64(40)×6.5 | Screw 9/64(40)×6.5           |                |  |  |  |  |                |
| 387      | M9 0302 053           | W462953           | バネ座金 3.5         | Spring washer                |                |  |  |  |  |                |
| 388      | MN 10A1 689           | W501202           | パイプホルダー          | Oil cotton braid holder      |                |  |  |  |  |                |
| 389      | MF 60E0 712           | W464018           | 歯車箱(下)           | Gear case (under)            |                |  |  |  |  |                |
| 390      | M9 1503 002           | B 504000          | 平ネジ 15/64(28)×5  | Screw 15/64(28)×5            |                |  |  |  |  |                |
| 391      | M9 1851 002           | W462784           | 平ネジ 9/32(20)×16  | Screw 9/32(20)×16            |                |  |  |  |  | Fig. No.389ニ含ム |