

SINGER

K38 Motor

SINGER*

SERIES

K38

MOTOR

SINGER*

SERIES K38

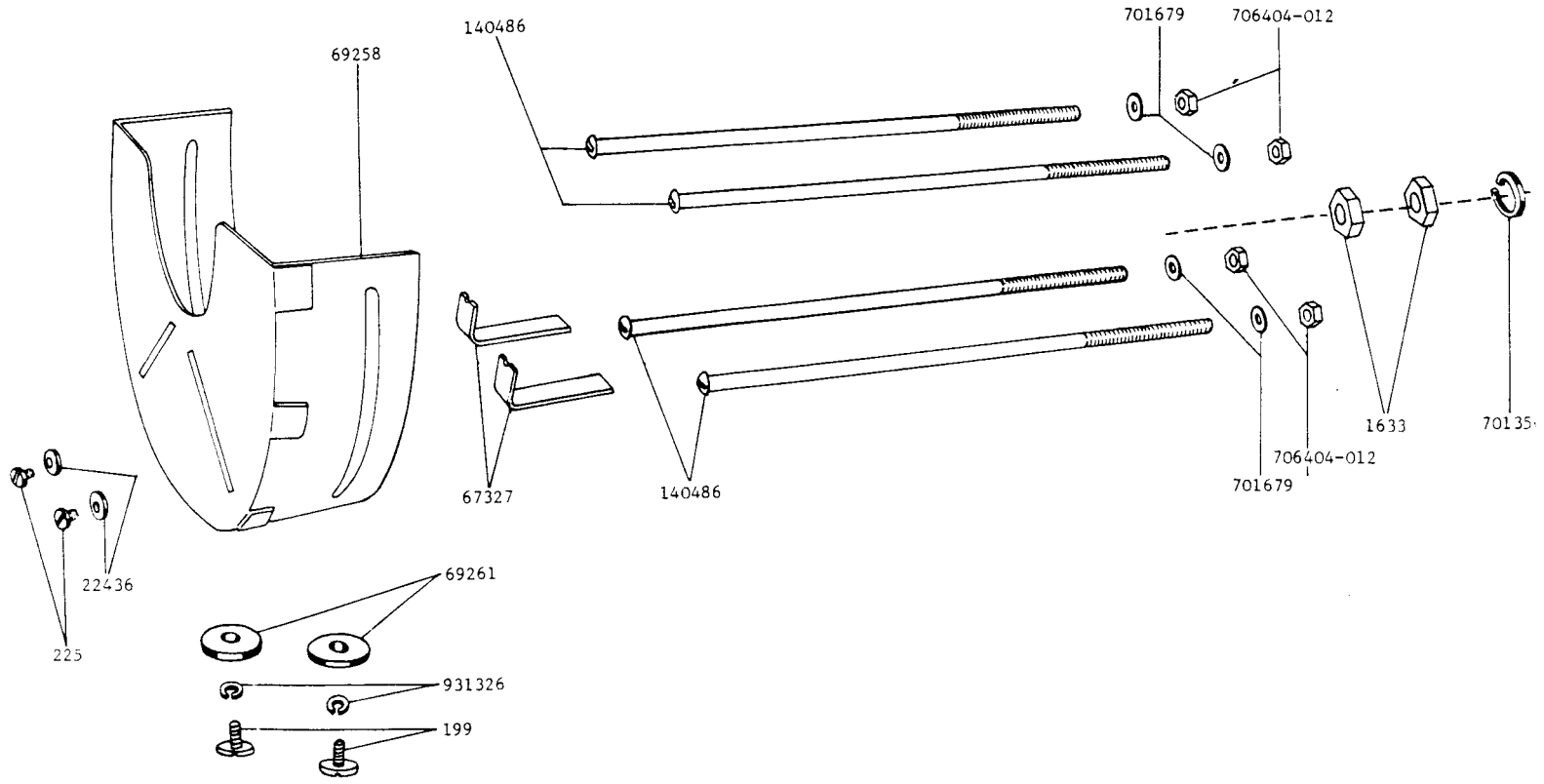
MOTOR

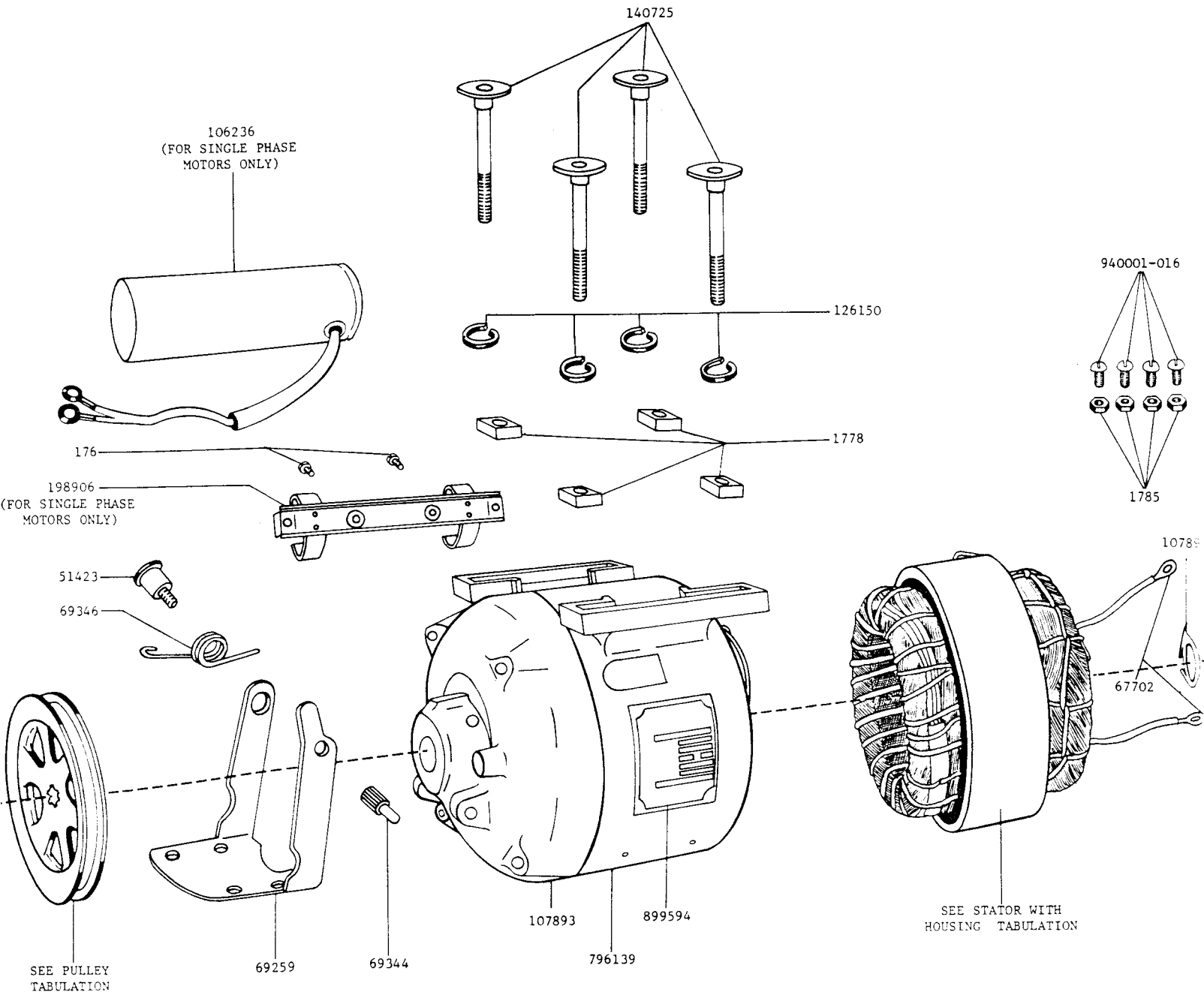
198782
 WARNING PLATE
 (FOR SINGLE PHASE
 MOTORS ONLY)

IMPORTANT
 CONNECT WHITE
 MOTOR LEAD TO
 SUPPLY NEUTRAL

FOR USE ONLY
 ON CIRCUITS WITH
 GROUNDED NEUTRAL

198577
 WARNING PLATE
 (USED ONLY ON LETTERED
 THREE PHASE MOTORS)



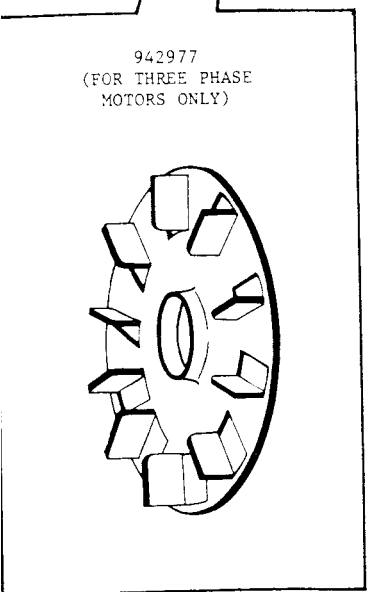
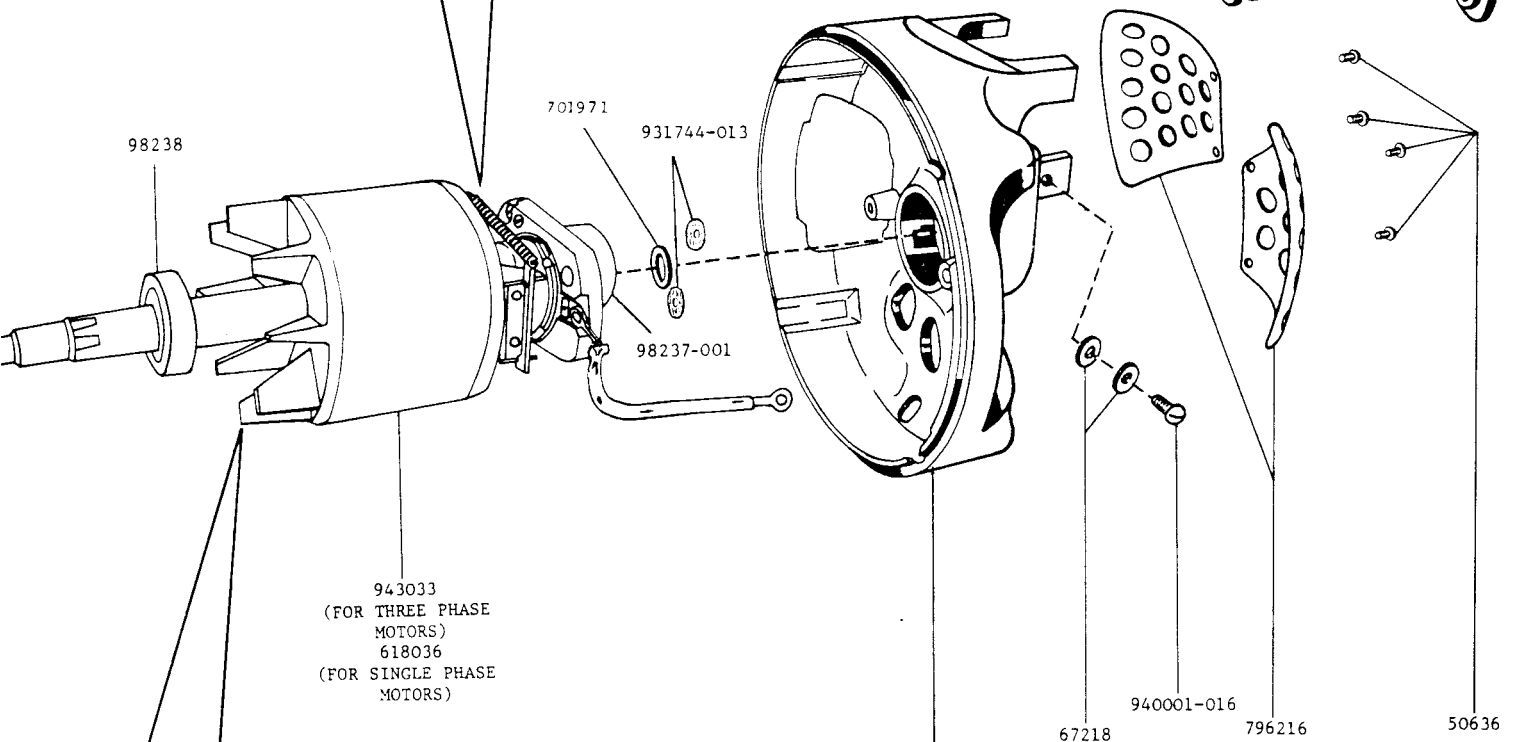
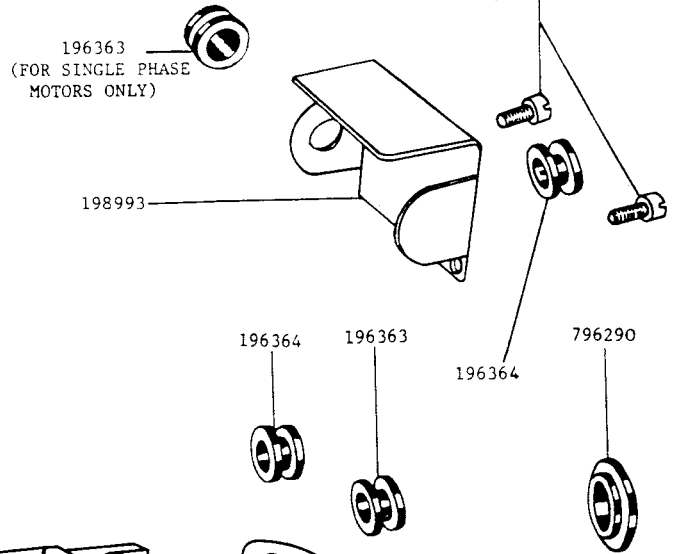
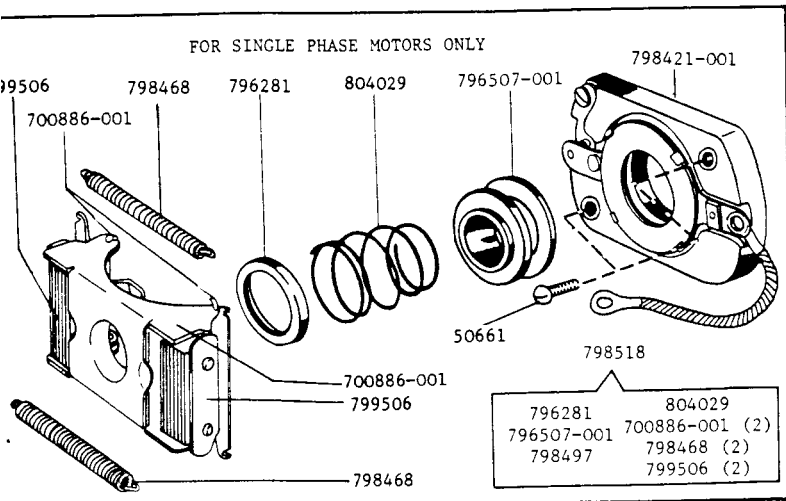


PULLEYS FOR SERIES K38 MOTORS

Diameter of Pulleys Inches	V-Belt Groove M.M.S.	V-Belt Groove Pulley No.	Diameter of Pulleys Inches	V-Belt Groove M.M.S.	V-Belt Groove Pulley No.
1-3/4	- 44.45	876687	3-3/4	- 95.25	876703
1-7/8	- 47.62	876688	3-7/8	- 98.42	876704
2	- 50.80	876689	4	- 101.60	876705
2-1/8	- 53.98	876690	4-1/8	- 104.78	876706
2-1/4	- 57.15	876691	4-1/4	- 107.95	876707
2-3/8	- 60.32	876692	4-3/8	- 111.12	876708
2-1/2	- 63.50	876693	4-1/2	- 114.30	876709
2-5/8	- 66.68	876694	4-5/8	- 117.48	876710
2-3/4	- 69.85	876695	4-3/4	- 120.65	876711
2-7/8	- 73.02	876696	5	- 127.00	876713
3	- 76.20	876697	5-1/4	- 133.35	876715
3-1/8	- 79.38	876698	5-1/2	- 139.70	876717
3-1/4	- 82.55	876699	5-3/4	- 146.05	876719
3-3/8	- 85.72	876700	6	- 152.40	876721
3-1/2	- 88.90	876701	6-1/4	- 158.75	876723
3-5/8	- 92.08	876702			

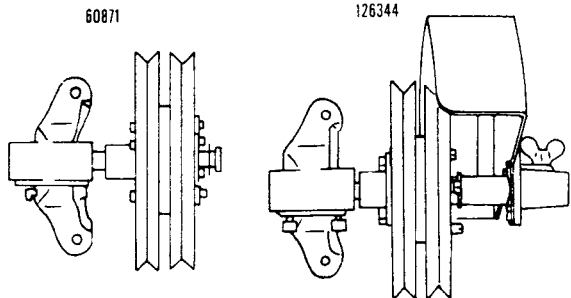
**STATOR WITH HOUSING
TABULATION**

MOTOR CATALOGUE NUMBER	PART NUMBER
K38315B	106195
K38315C	199033
K38315E	199030
K38315F	199034
K38316B	109197
K38316E	199032
K38316F	106196
K383356	799037
K383357	799038
K383358	804523
K38335H	970178
K38335L	970461
K38335S	106198
K38335T	976597
K38335X	973969
K38335Y	106199
K383367	943081
K383368	943083



797868 (FOR THREE PHASE MOTORS)
882077 (FOR SINGLE PHASE MOTORS)

**TABLE BELT GUIDE (INTERMEDIATE)
SPEED REDUCER
(Only supplied when specified on
order at an extra charge)**

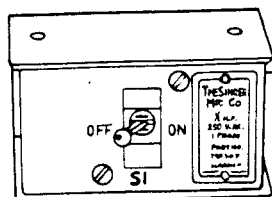


**SPEED REDUCER AND TABLE
GUIDE PULLEYS FOR K38
MOTORS TABULATION**

DIAMETER OF PULLEY INCHES	M.M.	V-BELT GROOVE PULLEY NO.
2-1/2	63.50	60483
2-3/4	69.85	60484
3	76.20	60485
3-1/4	82.55	60486
3-1/2	88.90	60487
3-3/4	95.25	60488
4	101.60	60489
4-1/4	107.95	60490
4-1/2	114.30	60491
4-3/4	120.65	60492
5	127.00	60493
5-1/4	133.35	60494
5-1/2	139.70	60495
5-3/4	146.05	60496
6	152.40	60497
6-1/4	158.75	60498
6-1/2	165.10	60499

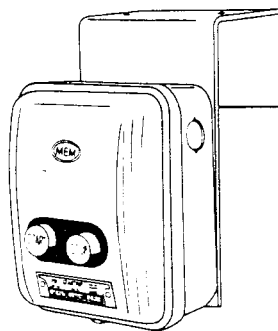
SWITCH BOXES AND STARTER

(FOR SINGLE PHASE
MOTORS ONLY)

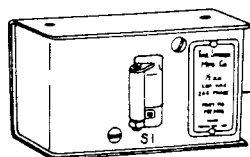


106201
106200
(SPECIALLY INSULATED
FOR TROPICAL CLIMATES)

(FOR THREE PHASE MOTORS
OVER 250 VOLTS ONLY)



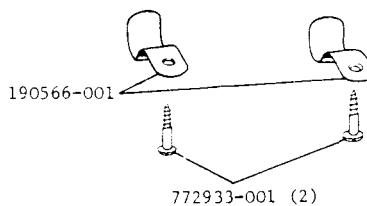
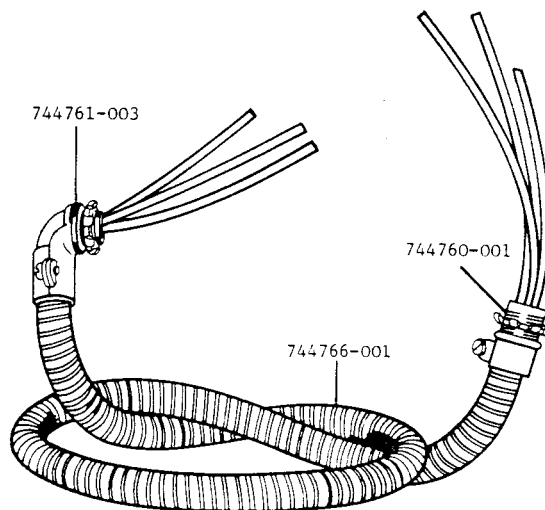
92930



(FOR THREE PHASE MOTORS
UNDER 250 VOLTS)
101990
93789-003
(SPECIALLY INSULATED
FOR TROPICAL CLIMATES)

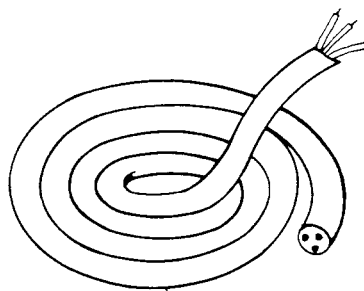
LEADS AND CONNECTIONS

67630 (TWO LEADS)
(FOR SINGLE PHASE MOTORS)



67632 (THREE LEADS)
(FOR THREE PHASE MOTORS UNDER
250 VOLTS)

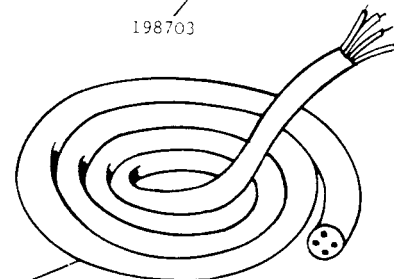
- 744760-001
- 744761-003
- 744766-001
- 190566-001 (2)
- 744762-001 (2)
- 772933-001 (2)



198349
3 CORE LEAD FOR
K38 SERIES SINGLE
PHASE MOTORS

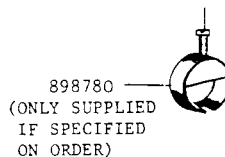


198703

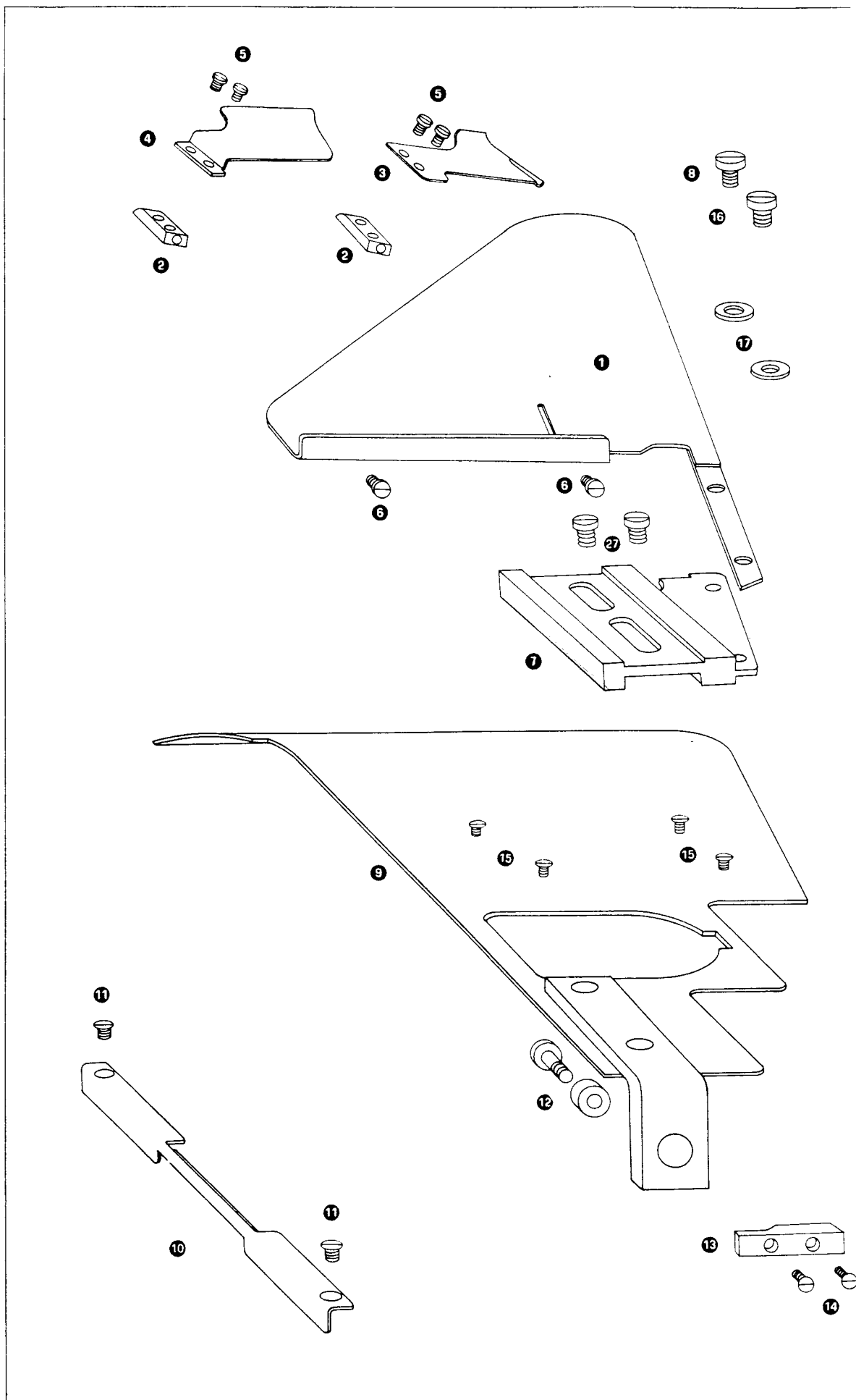


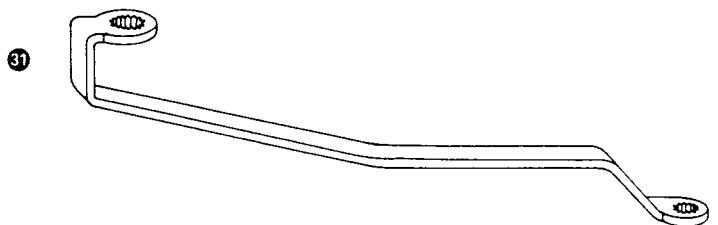
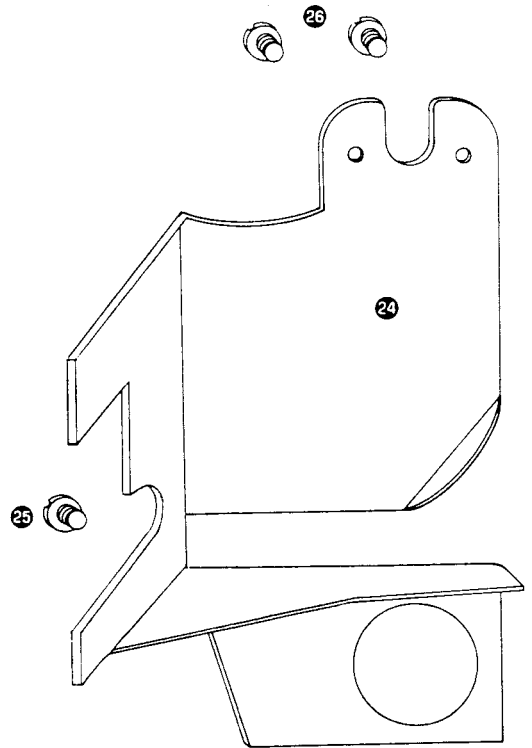
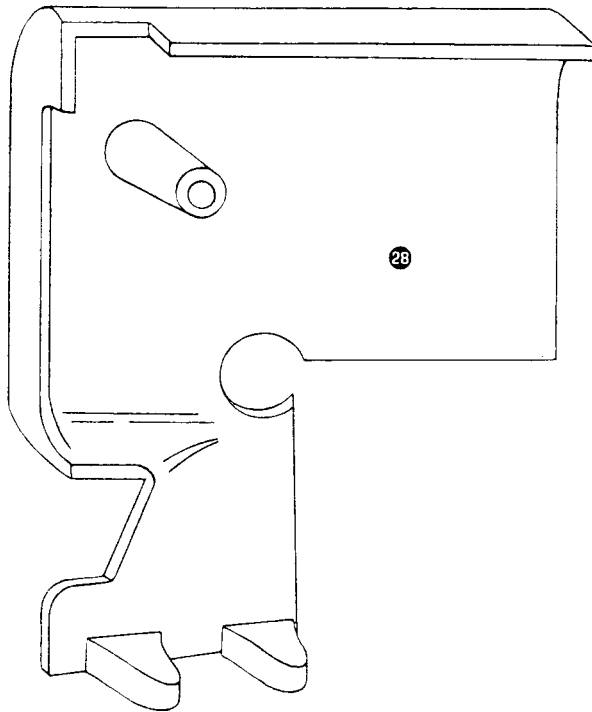
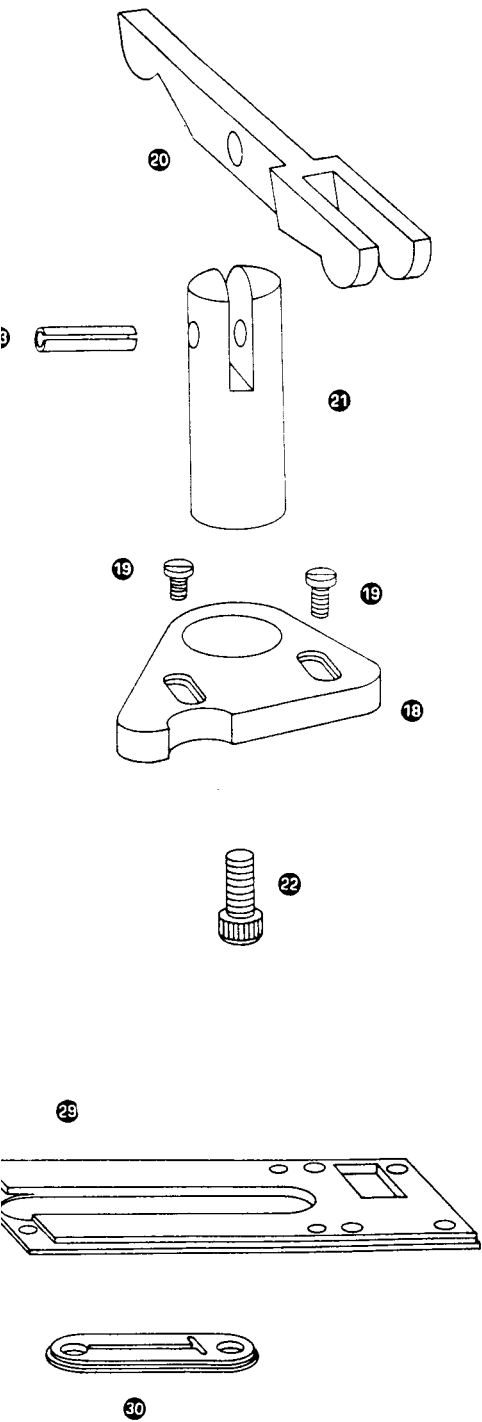
198415
4 CORE LEAD FOR
K38 SERIES THREE
PHASE MOTORS

50771



898780
(ONLY SUPPLIED
IF SPECIFIED
ON ORDER)





NUMERICAL LIST OF PARTS FOR SERIES K38
SINGLE AND THREE PHASE MOTORS

<u>Part No.</u>	<u>Description</u>
176(819)	Capacitor Bracket Screw for Single Phase Motors only
199(813)	Machine Driving Pulley Cover Screw
225(819)	Machine Driving Pulley Cover Belt Guard Screw
1633(813)	Rotor Shaft Nut
1778(813)	Motor Bolt Nut
1785	Stator Lead Screw Nut
22436	Machine Driving Pulley Cover Belt Guard Screw Washer
50636(813)	Hand Hole Cover Screw
50661(813)	Centrifugal Cut-out Contactor Screw for Single Phase Motors only
50671(813)	Terminal Box Cover Screw
51423(813)	Machine Driving Pulley Cover Hinge Screw
67218	Washer
67327	Machine Driving Pulley Cover Belt Guard
67702	Stator Lead Eyelet
69258	Machine Driving Pulley Cover
69259	Machine Driving Pulley Cover Bracket
69261	Machine Driving Pulley Cover Screw Washer
69344	Machine Driving Pulley Cover Hinge Stud
69346	Machine Driving Pulley Cover Spring
98237-001	Rotor Shaft Ball Bearing (terminal box end)
98238	Rotary Shaft Ball Bearing (pulley end)
106236	Capacitor for Single Phase Motors only
107892	Rotor Shaft Ball Bearing Friction Washer
107893	End Cover (pulley end)
126150	Motor Bolt Lock Washer
140486	End Cover Bolt
140725(813)	Motor Bolt
196363	Lead Bushing (rubber) for motor leads
196363	Terminal Box Cover Bushing (rubber)
196364	Lead Bushing (rubber) for light leads
198577	Warning Plate, used only on 'Lettered' three phase motors
198782	Warning Plate, for Single Phase Motors only
198906	Capacitor Bracket, complete for Single Phase Motors only
198993	Terminal Box Cover
618036	Rotor complete for Single Phase Motors only
700886-001	Flyweight Bracket Hinge Rivet for Single Phase Motors only
701350	Rotor Shaft Nut Lock Washer
701679	End Cover Bolt Nut Lock Washer
706404-012	End Cover Bolt Nut
796139	Housing
796216	Hand Hole Cover

NUMERICAL LIST OF PARTS FOR ACCESSORIES

<u>Part No.</u>	<u>Description</u>
50771	Lead Cord Insulating Bushing Clamp Screw
60871	Table Belt Guide (intermediate) 150064 with two 60493
67630	Wire Connector complete (two leads) for Single Phase Motors only
67632	Wire Connector complete (three leads) Nos. 744760-001, 744761-003, 744766-001, two each 190566-001, 744762-001 and 772933-001
92930	Starter for Three Phase Motors over 250 volts only
93789-003	Capacitor, Capacitor Box and Switch (specially insulated for tropical climates) for Three Phase Motors under 250 volts only
101990	Switch Box and Switch complete for Three Phase Motors under 250 volts only
106200	Switch Box (specially insulated for tropical climates) for Single Phase Motors only
106201	Switch Box for Single Phase Motors only
126344	Speed Reducer complete
150064	Table Belt Guide (intermediate) complete, Nos. 60765, 60814, 60870, 126409 and eight 50512 (not illustrated)
190566-001	Wire Conduit Clamp
198349	Lead (three core) for K38 Single Phase Motors
198415	Lead (four core) for K38 Three Phase Motors
198703	Earth Wire for Connection between Motor and Switch
744760-001	Wire Conduit Connector
744761-003	Wire Conduit Connector (90 Degrees)
744766-001	Wire, 45" long
772933-001	Wood Screw
898780	Lead Cord Insulating Bushing

<u>Part No.</u>	<u>Description</u>
796281	Flyweight Operating Spring Cap for Single Phase Motors only
796290	Rotor Shaft Dust Cap (terminal box end)
796507-001	Flyweight Moving Collar for Single Phase Motors only
797868	End Cover (terminal box end) for Three Phase Motors only
798421-001	Centrifugal Cut-out Contactor complete for Single Phase Motors only
798468	Flyweight Spring for Single Phase Motors only
798518	Centrifugal Cut-out complete, Nos., 796281, 796507-001, 798497, 804029, two each 700886-001, 798468 and 799506 for Single Phase Motors only
799506	Flyweight Bracket complete for Single phase Motors only
804029	Flyweight Operating Spring for Single Phase Motors only
882077	End Cover (terminal box end) for Single Phase Motors only
899594	Nameplate
931326	Machine Driving Pulley Cover Screw Lock Washer
931744-013	Rotor Shaft Spacing Washer
940001-016	Screw
940001-016	Stator Lead Screw
942977	Fan for Three Phase Motors only
943033	Rotor complete for Three Phase Motors only

For Machine Driving Pulleys see tabulation on other side.

For Stator with Housing see tabulation on other side.