

**SINGER**  
47W63

Form 2931w

(1249)

Printed in U. S. A.

# LIST OF PARTS



MACHINE No. 47w63

---

\*\* A TRADE MARK OF

THE SINGER MANUFACTURING COMPANY

# INSTRUCTIONS FOR ORDERING

In ordering from this list, use ONLY the PART number in the FIRST column.

The number stamped on a Sewing Machine Part is the number of the Single Part only, except when the part includes Set Screws, Clamping Screws, Studs and Rollers Spun on, Small Wires riveted, or Parts soldered together, etc., which it is necessary to furnish in combination.

Every combination of parts sent out has its specific number which, although not stamped on Parts (except in above case), must be used when ordering the combination.

Each number always indicates the SAME PART in whatever list it appears, or for whatever Machine.

The letters after some of the numbers indicate the style of finish only, as follows:

- A. Hardened, Polished, Nickel Plated and Buffed.
- B. Polished, Nickel Plated and Buffed.
- C. Hardened only.
- D. Polished only.
- E. Soft, not polished.
- F. Hardened and Polished.
- H. Blued.
- J. Nickel Plated only.
- R. Merlized.
- X. Black Oxide, for Iron and Steel.
- XC. Hardened and Black Oxide, for Iron or Steel.
- Y. Black Nickel Plated only.

These letters MUST BE USED when they appear in the list and AFTER the number, as in the list.

In this series

1 to 1500, 200001 to 201500 and 350001 to 351500 are Screw Numbers.  
 1501 to 1800, 201501 to 201800 and 351501 to 351800 are Nut Numbers.  
 1801 to 2000, 201801 to 202000 and 351801 to 352000 are Roller Numbers.  
 2001 to 50000 and 202001 to 350000 are Numbers of Machine Parts.

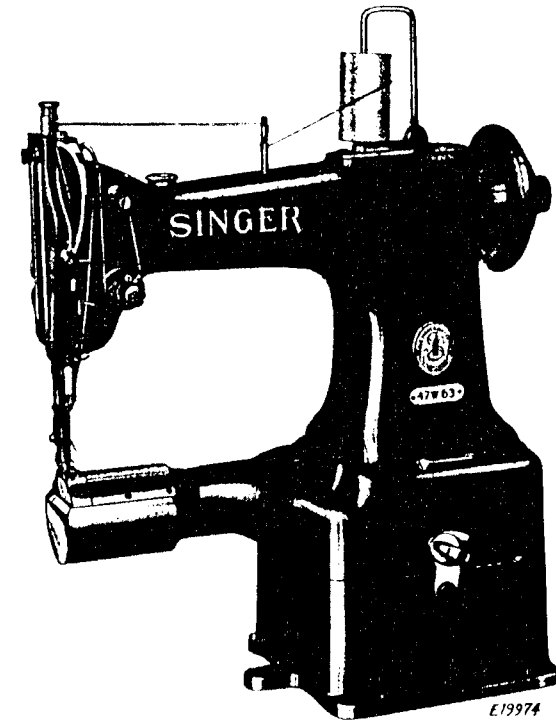
The figures in the second column refer only to the plate in which the illustration of the part is shown and are NOT TO BE USED in ordering.

Two or more numbers over a cut indicate that the difference between such parts is not visible in an illustration.

Parts marked with an asterisk (\*) are furnished only when repairs are made at the factory.

## LIST OF PARTS COMPLETE

FOR



### MACHINE No. 47w63

HIGH SPEED. DROP FEED. CYLINDER BED.

ALTERNATING PRESSERS. MECHANICAL OPENER.

FOR TAILORING OVERALLS, GLOVES, ETC.

MAXIMUM STITCH 8 TO THE INCH.

| No.     | Plate | Name  |
|---------|-------|---|
| *233690 | ----  | Arm   |
| 203091  | 17030 | " Cap                                       |
| 200278H | 17030 | " " Screw                                   |
| 202248  | 17030 | " " Washer                                  |
| 203089  | 17030 | " " Spool Holder Base                       |
| 203090  | 17030 | " " " " " 203089 with<br>200079H and 204296 |

# INSTRUCTIONS FOR OILING

---

To ensure easy running and prevent unnecessary wear of the parts which are in movable contact, the machine requires oiling and when in continuous use, "TYPE B" or "TYPE D" OIL, sold only by Singer Sewing Machine Company, should be applied at least twice each day to all oil holes marked "OIL", as instructed in Form 2220w. "TYPE D" OIL is stainless.

## INDEX

---

|                                   | PAGE |
|-----------------------------------|------|
| ACCESSORIES - - - - -             | 13   |
| BOBBIN WINDER - - - - -           | 13   |
| BINDERS - - - - -                 | 14   |
| FEED DOGS - - - - -               | 16   |
| FOOT LIFTER - - - - -             | 14   |
| MACHINE No. 47w63 - - - - -       | 5    |
| NUMERICAL LIST OF PARTS - - - - - | 21   |
| PRESSER FEET - - - - -            | 16   |
| THROAT PLATES - - - - -           | 18   |

Copyright, U. S. A., 1939, 1940 and 1950  
by The Singer Manufacturing Co.  
All Rights Reserved for all Countries



## PARTS FOR MACHINE No. 47w63

| No.     | Plate | Name  |
|---------|-------|---|
| 200607C | 17002 | Feed Driving Eccentric Regulating Bracket Plunger Spring Stop Screw |
| 201408  | 17002 | Feed Driving Eccentric Regulating Bracket Stop Screw                |
| 201525E | 17002 | Feed Driving Eccentric Regulating Bracket Stop Screw Nut            |
| 200429F | 17002 | Feed Driving Eccentric Regulating Screw                             |
| 200383C | 17002 | Feed Driving Eccentric Regulating Screw Check Screw                 |
| 235011  | 17038 | Feed Driving Rock Shaft   |
| 233614  | 17038 | " " " " Bearing   |
| 201525E | 17038 | " " " " Nut   |
| 235066  | 17038 | " " " " Bushing   |
| 200346C | 17038 | " " " " Set Screw   |
| 203244  | 17038 | Feed Driving Rock Shaft Collar with two 200393C                     |
| 200393C | 17038 | Feed Driving Rock Shaft Collar Set Screw                            |
| 235842  | 17002 | Feed Driving Rock Shaft Connection with 200054E and 202277          |
| 200919C | 17002 | Feed Driving Rock Shaft Connection Hinge Screw                      |
| 201522E | 17002 | Feed Driving Rock Shaft Connection Hinge Screw Nut                  |
| 202277  | 17002 | Feed Driving Rock Shaft Connection Oil Packing (wick)               |
| 200054E | 17002 | Feed Driving Rock Shaft Connection Pinch Screw                      |
| 210559  | 17030 | Feed Driving Rock Shaft Connection Stop Collar with two 200378C     |
| 200378C | 17030 | Feed Driving Rock Shaft Connection Stop Collar Set Screw            |
| 221164  | 17038 | Feed Driving Rock Shaft Crank with 200038C                          |
| 200038C | 17038 | Feed Driving Rock Shaft Crank Pinch Screw                           |
| 233695  | 17038 | Feed Lifting Cam with 200392C and 200447C                           |
| 200447C | 17038 | Feed Lifting Cam Position Screw                                     |
| 233696  | 17038 | " " " Retainer  |
| 200583H | 17038 | " " " Screw   |
| 200392C | 17038 | " " " Set Screw   |
| 233615  | 17040 | " Regulating Spindle with 202311, 202443 and 202619                 |
| *202311 | ----- | Feed Regulating Spindle Head  |
| 202443  | 17030 | " " " " Pin   |
| 202619  | 17030 | " " " " Position Pin  |
| 203061  | 17044 | Foot Lifter Lifting Lever   |
| 200262H | 17044 | " " " " Hinge Screw   |
| 233390  | 17044 | " " " " Washer  |
| 233361  | 17044 | Foot Lifter Lifting Lever Position Spring                           |

## PARTS FOR MACHINE No. 47w63

| No.     | Plate | Name  |
|---------|-------|---|
| 200273D | 17044 | Foot Lifter Lifting Lever Position Spring Screw                       |
| *203522 | ----- | Hook (sewing)   |
| 203523  | 17024 | " 203522 with 203525 and two 201253F                                  |
| 238250  | 17024 | Hook and Bobbin Case complete, Nos. 203523 and 235100                 |
| 233697  | 17024 | Hook Bevel Gear Socket, 18 teeth                                      |
| 200556H | 17024 | " " " " Screw   |
| 233698  | 17003 | " " Pinion with two 200386C   |
| 200386C | 17003 | " " " " Set Screw   |
| 235015  | 17003 | " Driving Counter Shaft   |
| 235016  | 17003 | " " " " Bushing (back)  |
| 200346C | 17003 | Hook Driving Counter Shaft Bushing (back) Set Screw                   |
| 235017  | 17003 | Hook Driving Counter Shaft Bushing (front)                            |
| 200346C | 17003 | Hook Driving Counter Shaft Bushing (front) Set Screw                  |
| 235018  | 17003 | Hook Driving Counter Shaft Gear with 200382C and 200398C              |
| 200398C | 17003 | Hook Driving Counter Shaft Gear Position Screw                        |
| 200382C | 17003 | Hook Driving Counter Shaft Gear Set Screw                             |
| 235019  | 17038 | Hook Driving Counter Shaft Oil Tube (brass)                           |
| 233699  | 17003 | Hook Driving Shaft  |
| 235021  | 17003 | " " " " Bushing (back)  |
| 200346C | 17003 | " " " " " " Set Screw   |
| 213380  | 17003 | Hook Driving Shaft Bushing (front)                                    |
| 201461C | 17003 | " " " " " " Position Screw  |
| 203244  | 17003 | Hook Driving Shaft Collar (front) with two 200393C                    |
| 200393C | 17003 | Hook Driving Shaft Collar (front) Set Screw                           |
| 235064  | 17003 | Hook Driving Shaft Connection Belt Pulley with 202253 and two 201254C |
| 201254C | 17003 | Hook Driving Shaft Connection Belt Pulley Set Screw                   |
| 202253  | 17003 | Hook Driving Shaft Connection Belt Pulley Spring Flange               |
| 235018  | 17003 | Hook Driving Shaft Gear with 200382C and 200398C                      |
| 200398C | 17003 | Hook Driving Shaft Gear Position Screw                                |
| 200382C | 17003 | " " " " " " Set Screw   |
| 203525  | 17024 | " Gib   |
| 201253F | 17024 | " " " " Screw   |
| 233707  | 17024 | " Saddle with 206758 and 233708                                       |
| 206758  | 17024 | " " Oil Packing (wick)  |
| 233708  | 17024 | " " Oiling Felt   |
| 200541E | 17024 | " " " " Screw (2)   |
| 225837  | 17024 | " " " " Washer (2)  |

| No.      | Plate | Name   |
|----------|-------|--|
| 233758   | 17024 | Hook Saddle complete, Nos. 200110D, 200556H, 203576, 203578, 233636, 233697, 233707, 238237 and 238250 |
| 238237   | 17024 | Hook Washer with 233640 and three 221147   |
| 208545   | 17041 | Lifting Bell Crank   |
| 233624   | 17040 | " " " Driving Crank  |
| 208547   | 17040 | " " " " "  |
|          |       | Link   |
| 201012C  | 17040 | Lifting Bell Crank Driving Crank Position Screw  |
| 200383C  | 17040 | Lifting Bell Crank Driving Crank Set Screw   |
| 200996C  | 17041 | Lifting Bell Crank Stop Screw  |
| 229626   | 17041 | " Presser Foot   |
| 200074F  | 17041 | " " " Screw  |
| 233625   | 17040 | Needle Bar with 200125F, 200175D and 204250  |
| 233829   | 17040 | Needle Bar Bushing   |
| 200352C  | 17040 | " " " Set Screw  |
| 233642   | 17040 | " " Connecting Link  |
| 264714   | 17040 | " " " Stud with 200072C and 202277   |
| 202277   | 17040 | Needle Bar Connecting Stud Oil Packing (wick)  |
| 200072C  | 17040 | Needle Bar Connecting Stud Pinch Screw   |
| 233627   | 17040 | " " Crank with 200335C, 200383C, 200428C and 201012C   |
| 203172   | 17040 | Needle Bar Crank Friction Washer   |
| 200428C  | 17040 | " " " Position Screw   |
| 200335C  | 17040 | " " " Set Screw  |
| 204250   | 17040 | " " Thread Guide   |
| 200175D  | 17040 | " " " Screw  |
| 200125F  | 17040 | " Set Screw  |
| 238246   | 17041 | Presser Bar with 200074F   |
| 233763   | 17041 | " " Bushing  |
| 200363AL | 17041 | " " " Set Screw  |
| 202554   | 17041 | " " Lifter   |
| 200653C  | 17041 | " " Hinge Screw  |
| 233628   | 17041 | " " Lifting Bracket with 200054E   |
| 200975F  | 17041 | Presser Bar Lifting Bracket Guide Screw  |
| 200054E  | 17041 | Presser Bar Lifting Bracket Pinch Screw  |
| 233634   | 17041 | Presser Bar Position Guide   |
| 202338   | 17041 | " " " " Lever with 200086F   |
| 200086F  | 17041 | Presser Bar Position Guide Lever Pinch Screw   |
| 200352C  | 17041 | Presser Bar Position Guide Set Screw   |
| 236089   | 17041 | " " Spring   |
| 202346   | 17041 | " " " Stop Rod   |
| 200492H  | 17041 | " " Thumb Screw (pressure regulating)  |

| No.      | Plate | Name   |
|----------|-------|--|
| 200475H  | 17041 | Presser Bar Thumb Screw Thumb Set Screw  |
| 202355   | 17041 | Presser Bar Thumb Screw Thumb Set Screw Packing (brass)                                    |
| 224372   | 17040 | Take-up Lever  |
| 208557   | 17040 | " " Driving Stud with 202277   |
| 202277   | 17040 | " " " " Oil Packing (wick)   |
| 202400   | 17040 | Take-up Lever Hinge Stud with 202423   |
| 202423   | 17040 | " " " " Oil Packing (wick)   |
| 200383C  | 17040 | Take-Up Lever Hinge Stud Set Screw   |
| 208558   | 17040 | " " Oil Guard with 223655 and 224572   |
| 200161H  | 17040 | Take-up Lever Oil Guard Screw  |
| 208568   | 17040 | " " " Leader   |
| 202254   | 17040 | " " " Packing (wick)   |
| 223655   | 17040 | " " Oiling Felt  |
| 224572   | 17040 | " " " Rivet  |
| 244048   | 15107 | Tension Disc (back)  |
| 244049   | 15107 | " " (front)  |
| 202404   | 17041 | " Plunger  |
| 233629   | 17041 | " Release Slide  |
| 208560   | 17041 | " " Spring   |
| 244061   | 15107 | " " Washer   |
| 202407   | 15107 | " Spring   |
| 263106   | 15106 | " " Washer   |
| 200625F  | 15107 | " Stud with 204925   |
| 200061C  | 15107 | " " Set Screw  |
| 204925   | 15107 | " " Washer   |
| 201572H  | 15107 | " Thumb Nut  |
| 244062   | 15107 | Tension complete, Nos. 200625F, 201572H, 202407, 202410, 244048, 244049, 244061 and 263106 |
| 202410   | 15107 | Thread Controller Spring   |
| 241443   | 15107 | " " " Stop   |
| 200132E  | 15107 | " " " Screw  |
| 202412   | 17030 | " Guide (on top of Arm)  |
| 202413   | 15107 | " "  |
| 202414   | 15107 | " "  |
| 202415   | 15107 | " "  |
| 202417   | 15107 | " "  |
| 52171    | 17040 | " " (on Needle Bar Bushing)  |
| 200582H  | 15107 | " " Screw  |
| 200355H  | 15107 | " " Set Screw  |
| 200368H  | 15107 | " " " "  |
| 202091   | 15107 | " Retainer Sleeve  |
| 202092   | 15107 | " " Spring   |
| 204058   | 15107 | " " Stud   |
| 200368H  | 15107 | " " " Set Screw  |
| 204059   | 15107 | Thread Retainer complete, Nos. 202091, 202092 and 204058                                   |
| 233702   | 17038 | Throat Plate, 46 needle hole, for needle sizes 16 and 18, for 212307                       |
| 200577AL | 17038 | Throat Plate Screw (2)   |
| 233630   | 17041 | Vibrating Presser Bar  |

ORDERS

| No.    | Plate | Name   |
|--------|-------|--|
| 206707 | 17049 | Vibrating Presser Foot   |
| 233783 | 17039 | Throat Plate, 50 needle hole, for needle sizes 14 and 15, for 212220 |

FEED DOGS

|        |       |   |
|--------|-------|---|
| 212220 | 17039 | Feed Dog, for 233783, 233784, 233787 and 233788 |
| 212221 | 17039 | Feed Dog, for 233783, 233784, 233787 and 233788 |
| 212281 | 17039 | Feed Dog, for 233778                            |
| 212282 | 17039 | " " " 233778                                    |
| 212290 | 17039 | " " " 233782                                    |
| 212307 | 17038 | " " " 233702                                    |
| 211407 | 17039 | " " " 233801                                    |

PRESSER FEET

|        |       |   |
|--------|-------|---|
| 204601 | 17049 | Lifting Presser Foot, for 206707 and 206716                                   |
| 204602 | 17048 | Lifting Presser Foot, for 206672, 206673, 206707 and 206715 to 206717         |
| 204603 | 17048 | Lifting Presser Foot, for 206672, 206673, 206707 and 206715 to 206717         |
| 204604 | 17047 | Lifting Presser Foot, for 206668, 206675, 206678, 206714 and 206719           |
| 204605 | 17047 | Lifting Presser Foot, for 206668, 206675, 206678, 206714 and 206719           |
| 204606 | 17049 | Lifting Presser Foot, for 206676, 206699 and 206700                           |
| 204607 | 17049 | Lifting Presser Foot, for 206707 and 206716                                   |
| 204609 | 17046 | Lifting Presser Foot, for 206672, 206673, 206681, 206707 and 206715 to 206717 |
| 204610 | 17049 | Lifting Presser Foot, for 206676, 206699 and 206700                           |
| 204595 | 17049 | Lifting Presser Foot, for 204620  |
| 204611 | 17045 | " " " " 204620<br>204634, 206698, 206705, 206706 and 229620                   |

PRESSER FEET

17

| No.    | Plate | Name  |
|--------|-------|---|
| 204612 | 17045 | Lifting Presser Foot, for 204620, 204634, 206698, 206705, 206706 and 229620                     |
| 206674 | 17047 | Lifting Presser Foot, 40 needle hole, for 206668, 206675, 206678, 206714 and 206719             |
| 221182 | 17045 | Lifting Presser Foot, for 204620, 204634, 206698 and 229620                                     |
| 206697 | 17045 | Lifting Presser Foot, for 204620, 204634, 206698, 206701 and 229620                             |
| 229625 | 17045 | Lifting Presser Foot, for 204620, 204634, 206698, 206705, 206706 and 229620                     |
| 229633 | 17048 | Lifting Presser Foot, for 206672, 206673, 206707 and 206715 to 206717                           |
| 206695 | 17045 | Lifting Presser Foot, for 204620, 204634, 206698 and 229620                                     |
| 206694 | 17048 | Lifting Presser Foot, for 204621, 206692 and 206693   |
| 204640 | 17045 | Lifting Presser Foot, for 204620, 204634, 206698 and 229620                                     |
| 229626 | 17041 | Lifting Presser Foot, for 204620, 204634, 206698 and 229620                                     |
| 206662 | 17046 | Lifting Presser Foot, 46 needle hole, for 206663  |
| 206664 | 17046 | Lifting Presser Foot (grooved), 46 needle hole, for heavy cording, for 206665                   |
| 206696 | 17045 | Lifting Presser Foot, 46 needle hole, for 204620, 204634, 206698 and 229620                     |
| 229628 | 17048 | Lifting Presser Foot, for 204621, 206692 and 206693   |
| 229629 | 17046 | Lifting Presser Foot, for 206691 and 229630   |
| 206702 | 17046 | Lifting Presser Foot, for 206703 and 206704   |
| 204634 | 17045 | Vibrating Presser Foot, for 204611, 204612, 204640, 206695 to 206697, 221182, 229625 and 229626 |
| 206663 | 17046 | Vibrating Presser Foot, for 206662  |
| 206678 | 17047 | " " " " 204604, 204605 and 206674   |
| 206672 | 17046 | Vibrating Presser Foot, for 20462, 204603, 204609 and 229633                                    |
| 206673 | 17046 | Vibrating Presser Foot, for 204602, 204603, 204609 and 229633                                   |
| 206675 | 17047 | Vibrating Presser Foot, for 204604, 204605 and 206674   |
| 206691 | 17046 | Vibrating Presser Foot, for 229629  |
| 206692 | 17048 | " " " " 206694 and 229628   |
| 206700 | 17049 | Vibrating Presser Foot, for 204606 and 204610   |
| 206703 | 17046 | Vibrating Presser Foot, for 206702  |
| 206705 | 17045 | " " " " 204611, 204612 and 229625   |



## PRESSER FEET

| No.    | Plate | Name  |
|--------|-------|---|
| 206706 | 17045 | Vibrating Presser Foot, for 204611, 204612 and 229625   |
| 206714 | 17047 | Vibrating Presser Foot, for 204604, 204605 and 206674   |
| 206719 | 17047 | Vibrating Presser Foot, for 204604, 204605 and 206674   |
| 206698 | 17045 | Vibrating Presser Foot, for 204611, 204612, 204640, 206695 to 206697, 221182, 229625 and 229626         |
| 229630 | 17046 | Vibrating Presser Foot, for 229629  |
| 204621 | 17048 | " " " " 206694 and 229628   |
| 229620 | 17045 | Vibrating Presser Foot, for 204611, 204612, 204640, 206695 to 206697, 221182, 229625 and 229626         |
| 206704 | 17046 | Vibrating Presser Foot, for 206702  |
| 206701 | 17045 | " " " " binding slippers, for 206697  |
| 206716 | 17046 | Vibrating Presser Foot, for 204601 to 204603, 204607, 204609 and 229633                                 |
| 206665 | 17046 | Vibrating Presser Foot, for 206664  |
| 206668 | 17047 | " " " " 204604, 204605 and 206674   |
| 206681 | 17046 | Vibrating Presser Foot, for 204609  |
| 206676 | 17049 | " " " " 204606 and 204610   |
| 206715 | 17046 | Vibrating Presser Foot, for 204602, 204603, 204609 and 229633   |
| 206699 | 17049 | Vibrating Presser Foot, for 204606 and 204610   |
| 206707 | 17046 | Vibrating Presser Foot, for 204601 to 204603, 204607, 204609 and 229633                                 |
| 206693 | 17048 | Vibrating Presser Foot, for 206694 and 229628   |
| 206717 | 17046 | Vibrating Presser Foot, for 204602, 204603, 204609 and 229633   |
| 204620 | 17041 | Vibrating Presser Foot, for 204595, 204611, 204612, 204640, 206695 to 206697, 221182, 229625 and 229626 |

## THROAT PLATES

|        |       |   |
|--------|-------|---|
| 233778 | 17039 | Throat Plate, 46 needle hole, for needle sizes 16 and 18, for 212281 and 212282 |
| 233782 | 17039 | Throat Plate, 46 needle hole, for needle sizes 16 and 18, for 212290            |
| 233783 | 17039 | Throat Plate, 50 needle hole, for needle sizes 14 and 15, for 212220 and 212221 |
| 233784 | 17039 | Throat Plate, 46 needle hole, for needle sizes 16 and 18, for 212220 and 212221 |

## THROAT PLATES

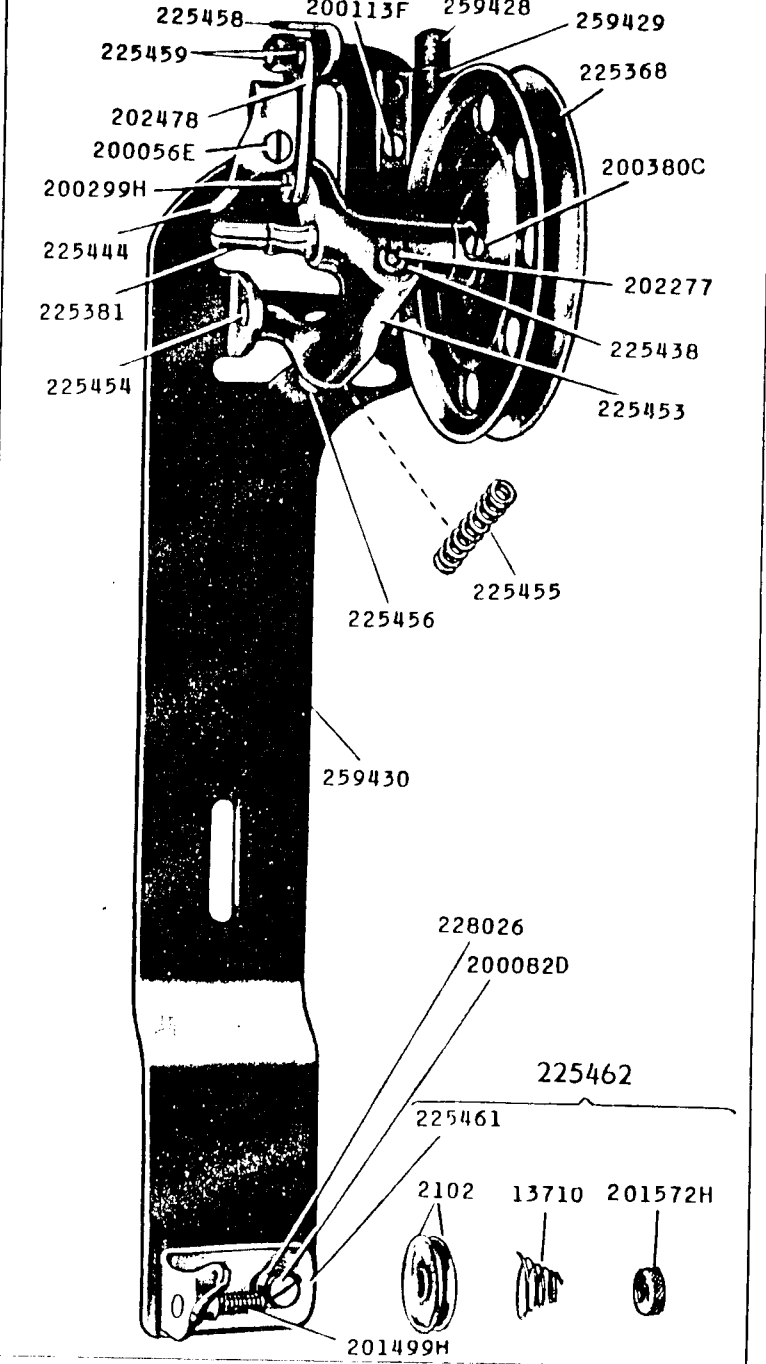
| No.    | Plate | Name  |
|--------|-------|---|
| 233787 | 17039 | Throat Plate, 50 needle hole, for needle sizes 14 and 15, for 212220 and 212221 |
| 233788 | 17039 | Throat Plate, 46 needle hole, for needle sizes 16 and 18, for 212220 and 212221 |
| 233702 | 17038 | Throat Plate, 46 needle hole, for needle sizes 16 and 18, for 212307            |
| 233801 | 17039 | Throat Plate, 50 needle hole, for needle sizes 14 and 15, for 211407            |

SINGER Needles should be used  
in SINGER Machines.  
These Needles and their Containers  
are marked with the  
Company's Trade Mark "SIMANCO. \*\*\*" I

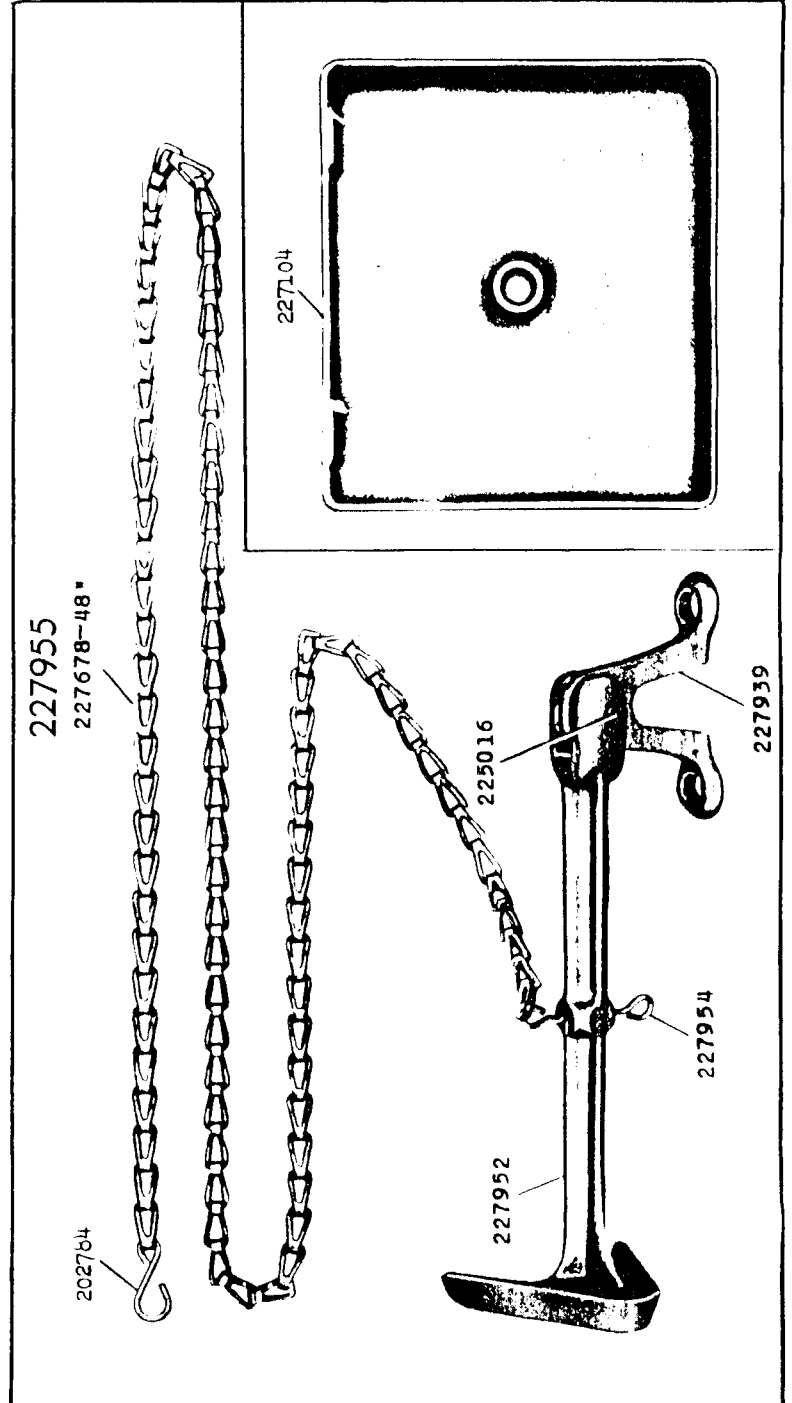
Needles in Containers marked  
"FOR SINGER MACHINES"  
are NOT **SINGER** made needles. 2

16615 - 1/2

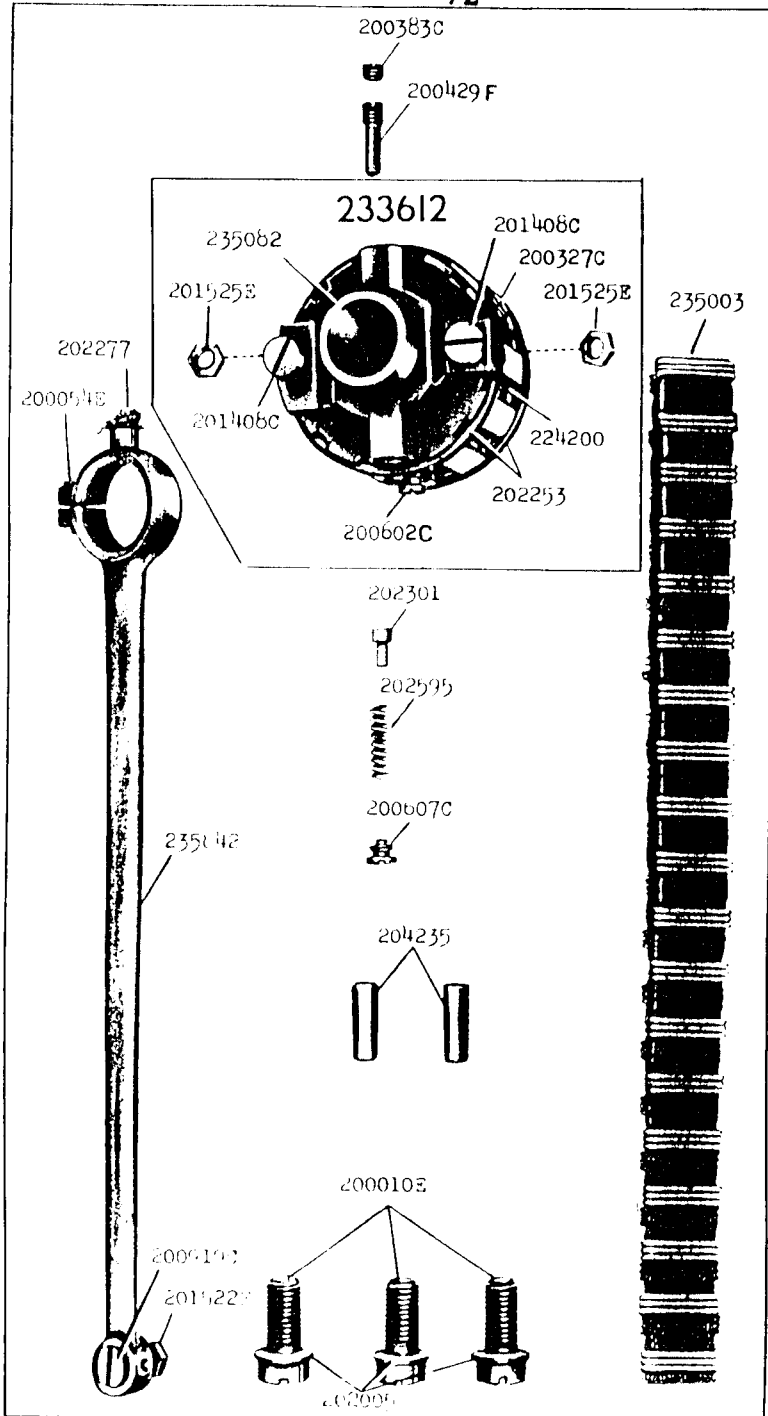
259431



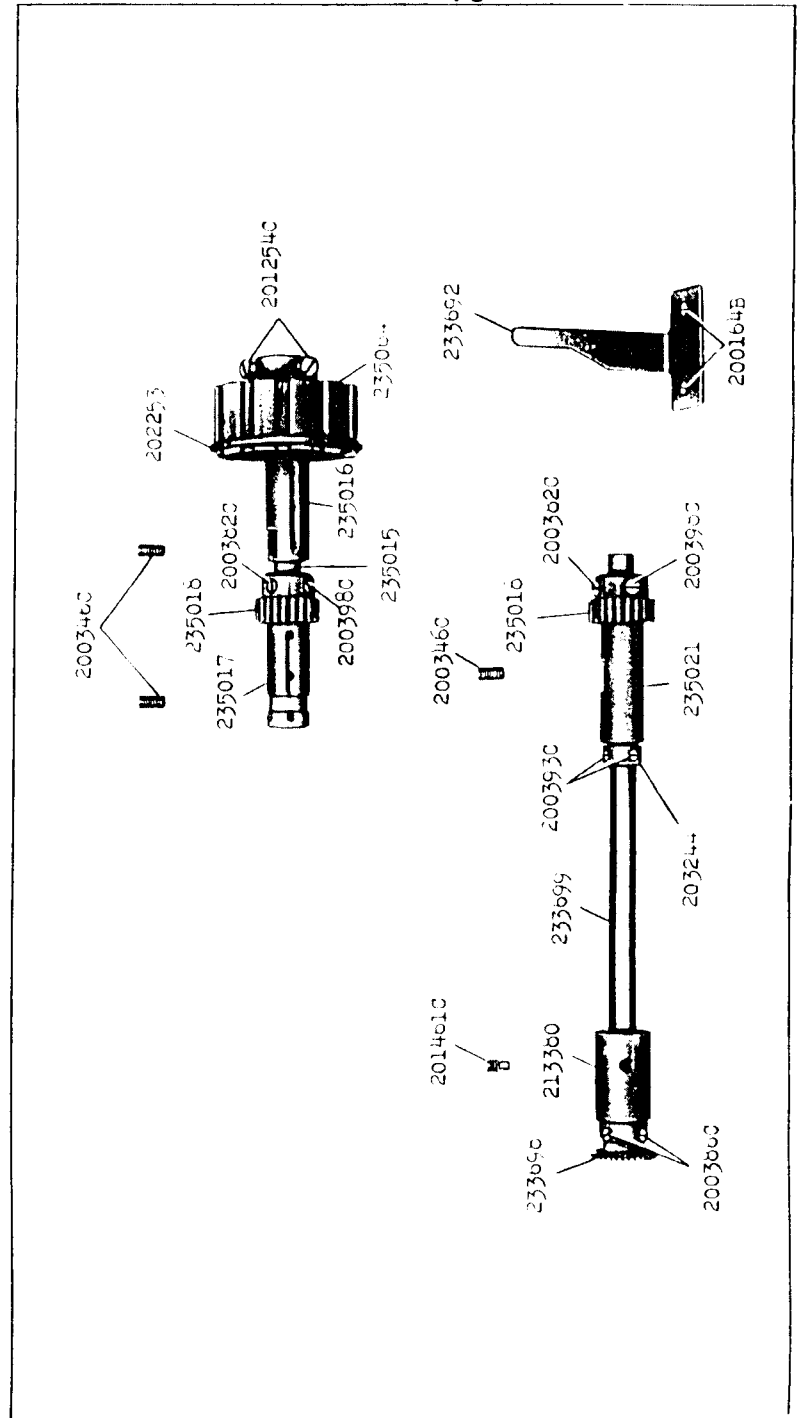
16762 - 3/8



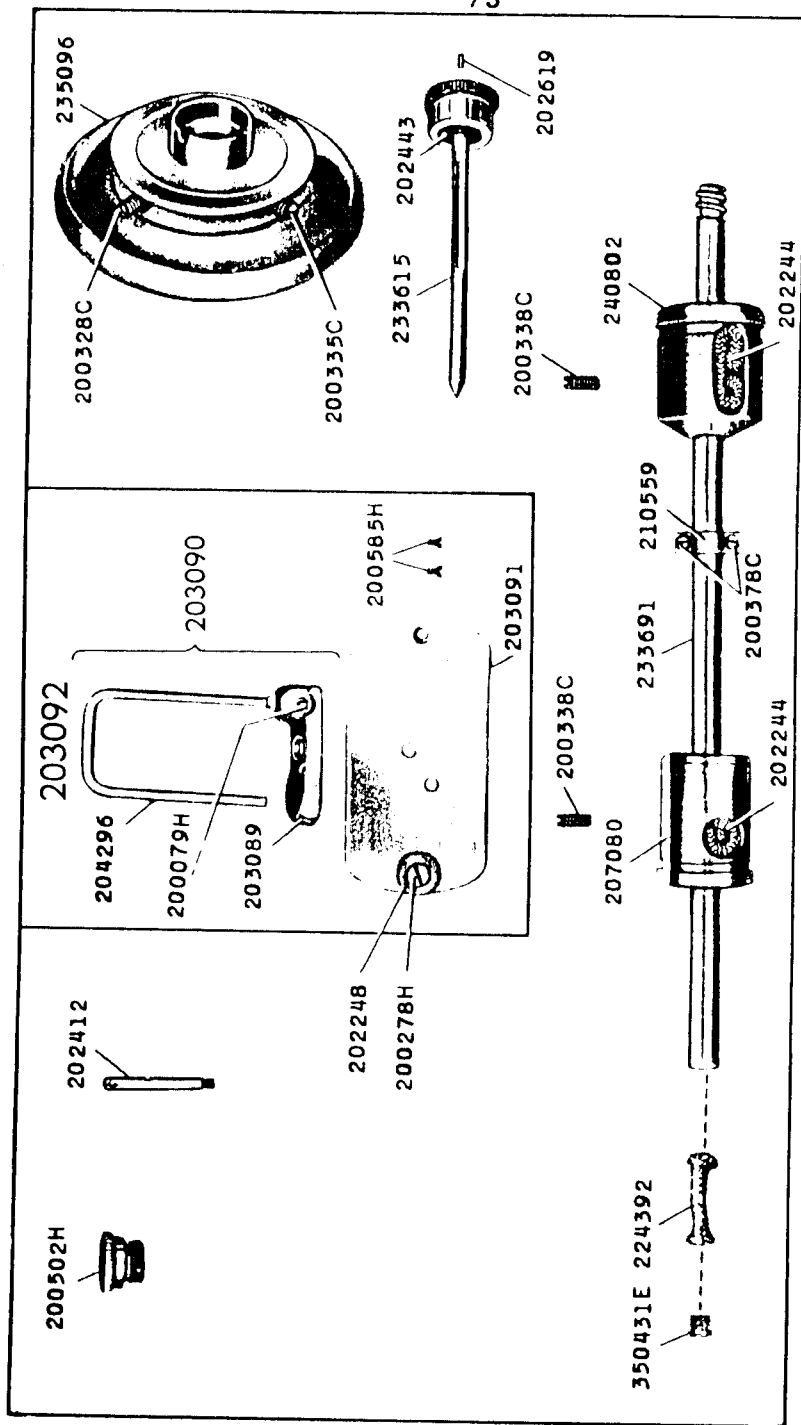
17002 - 1/2



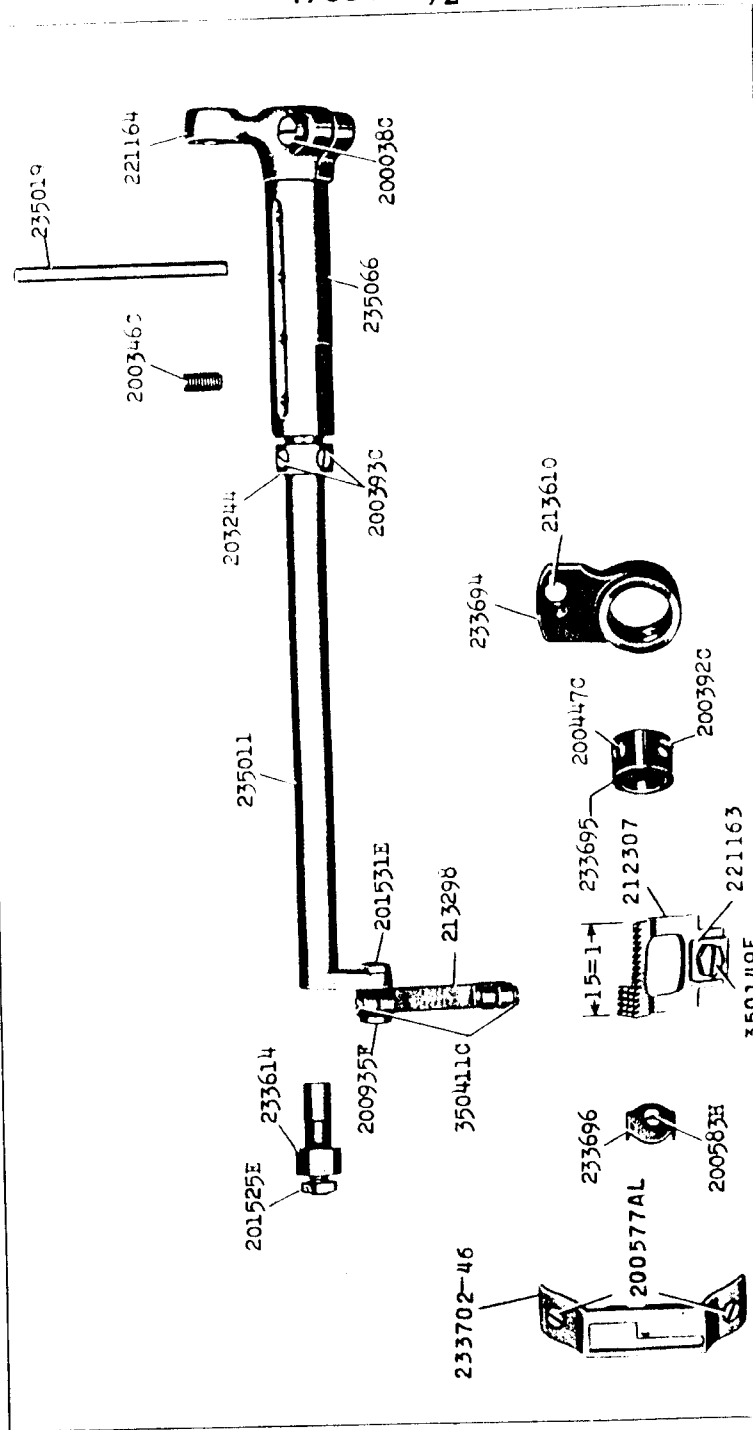
17003 - 1/3



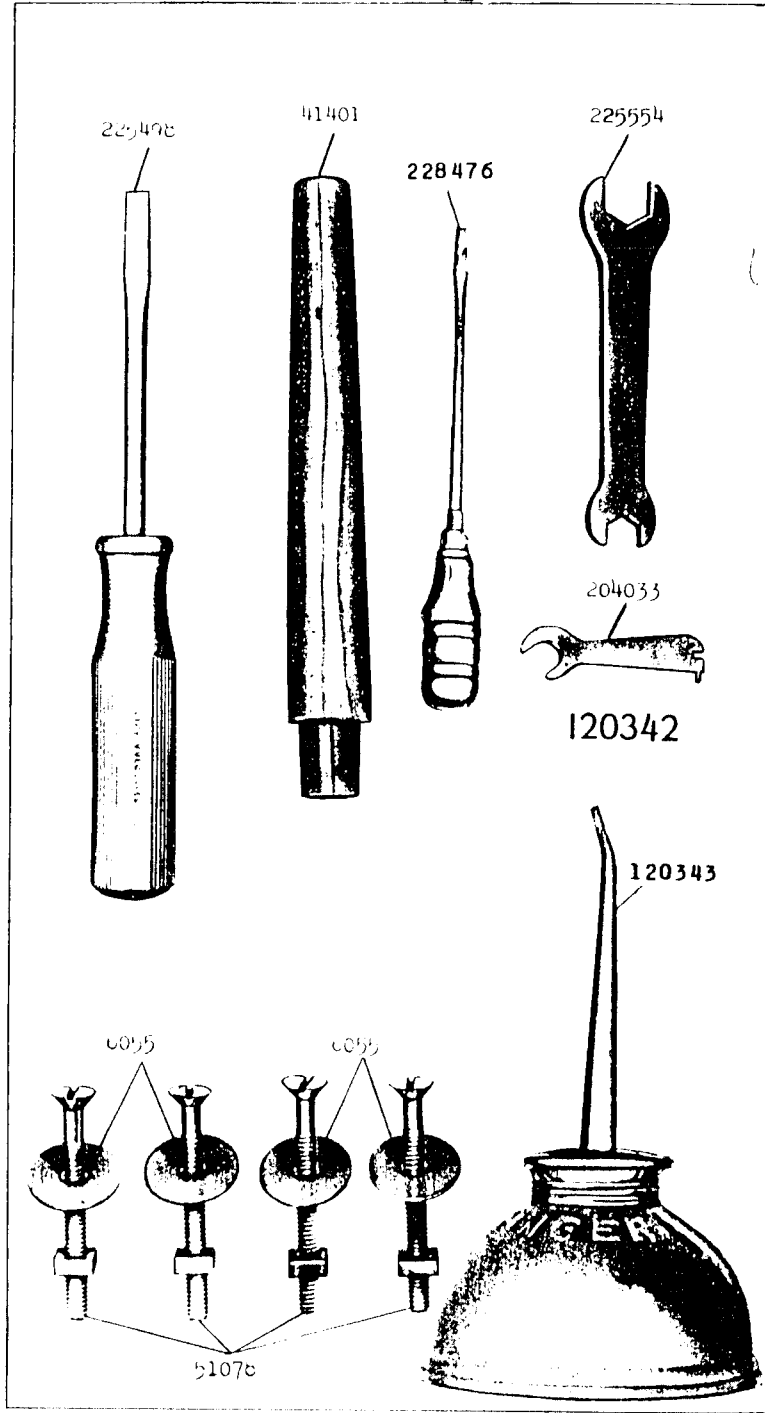
17030 - 1/3



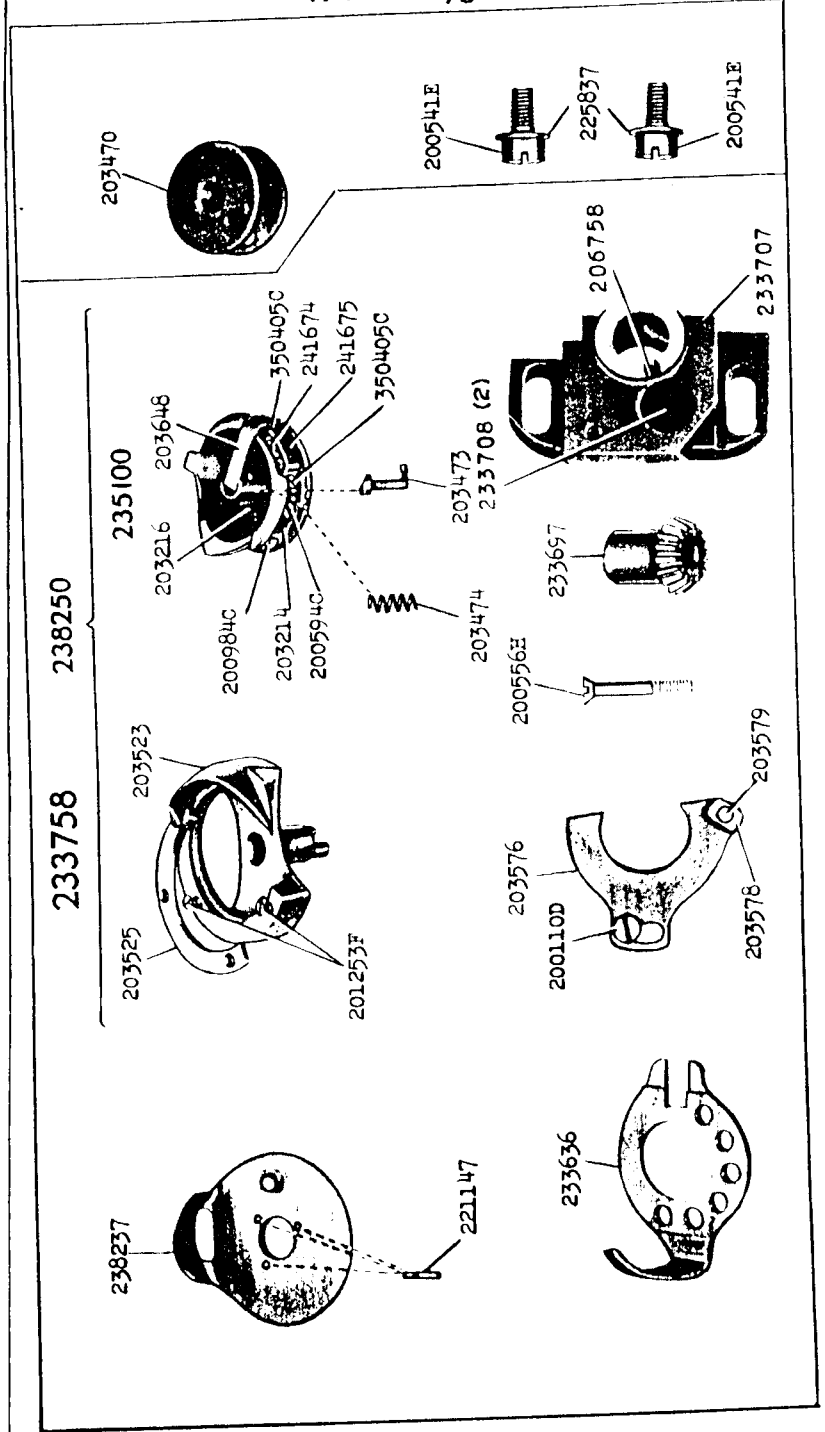
17038 - 1/2

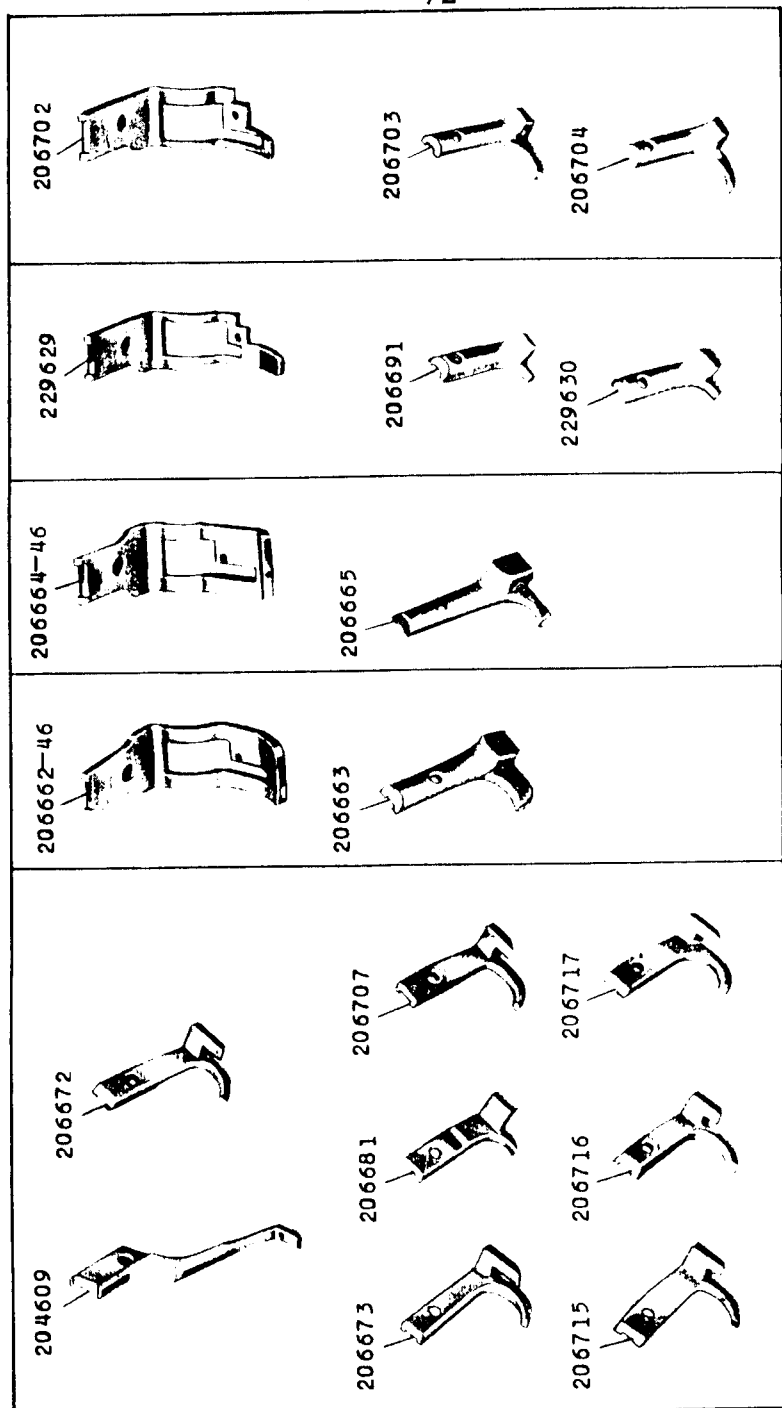
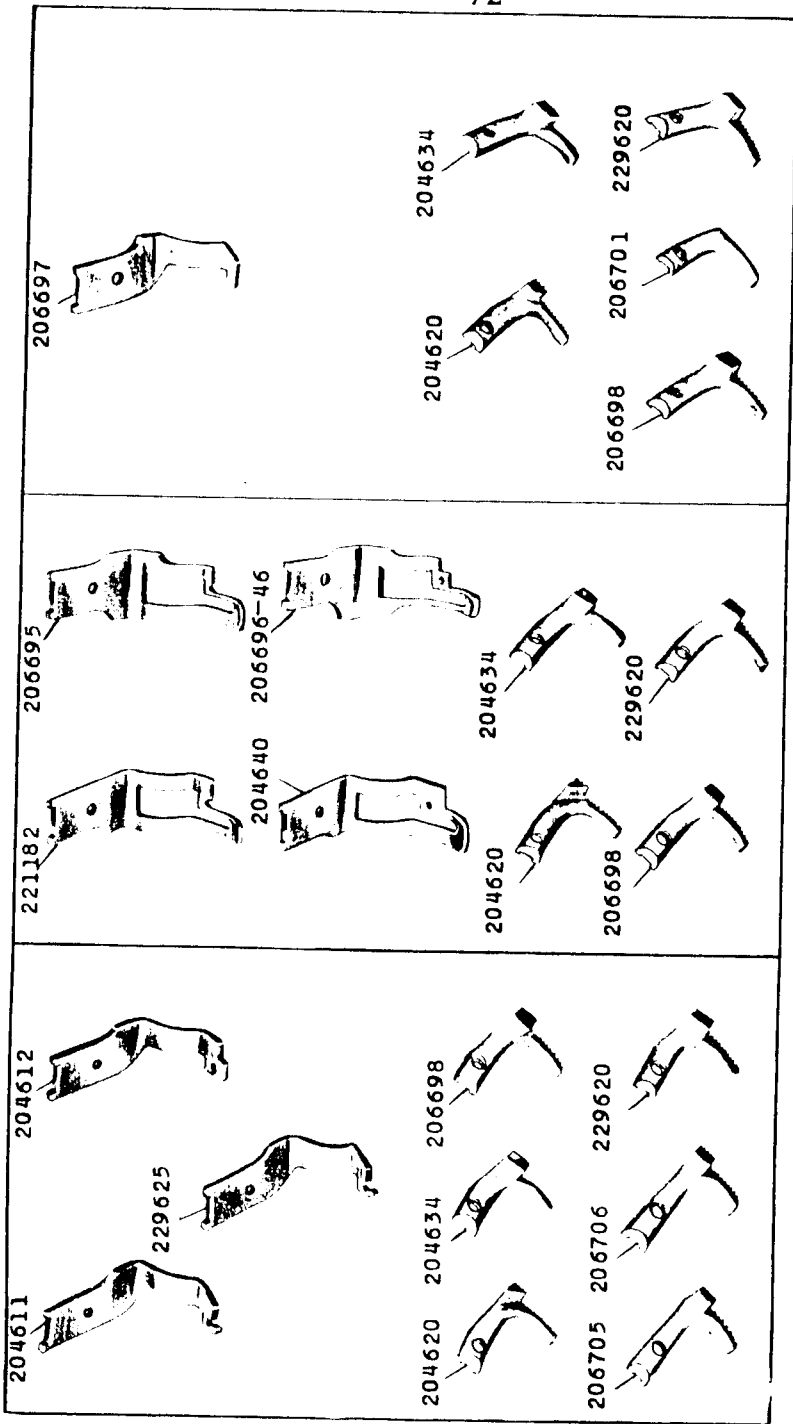


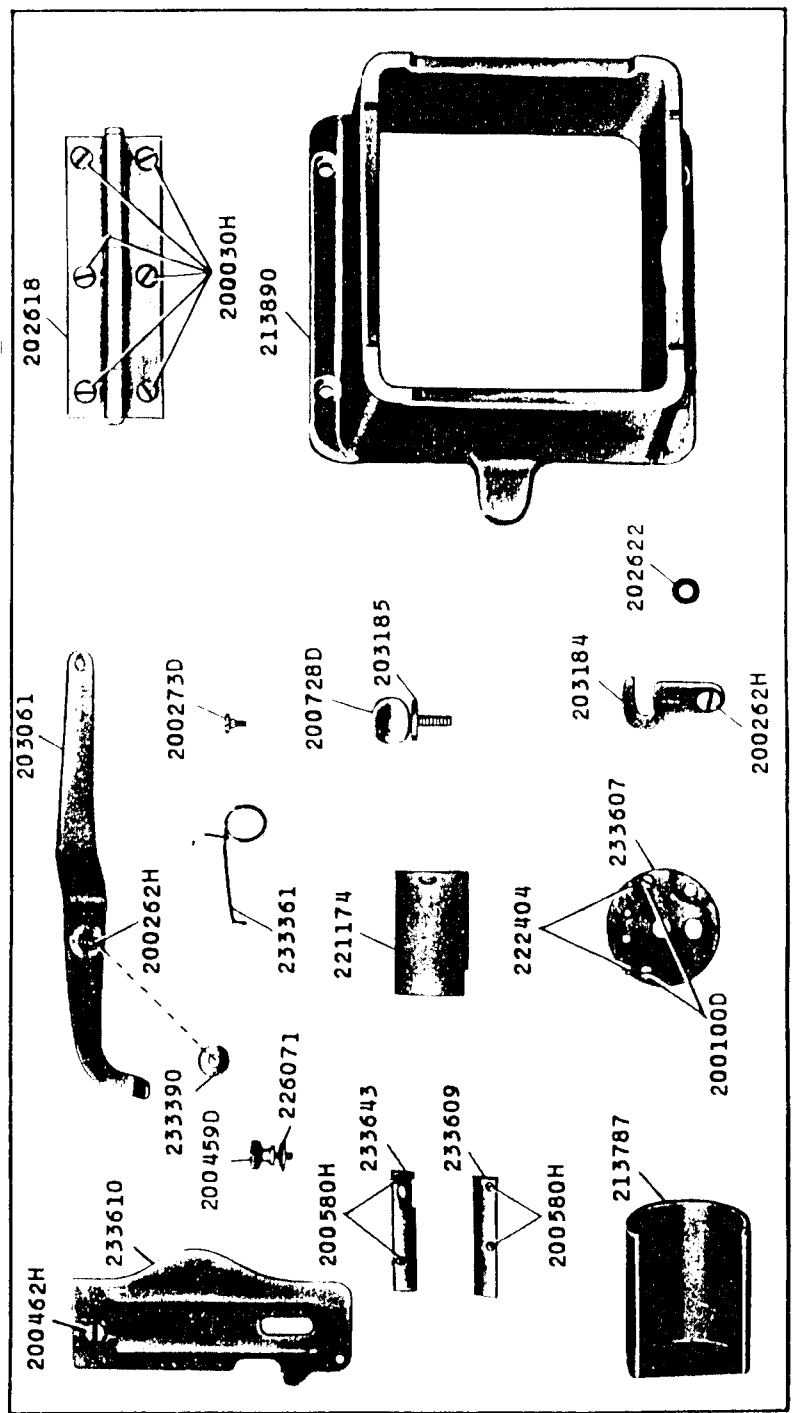
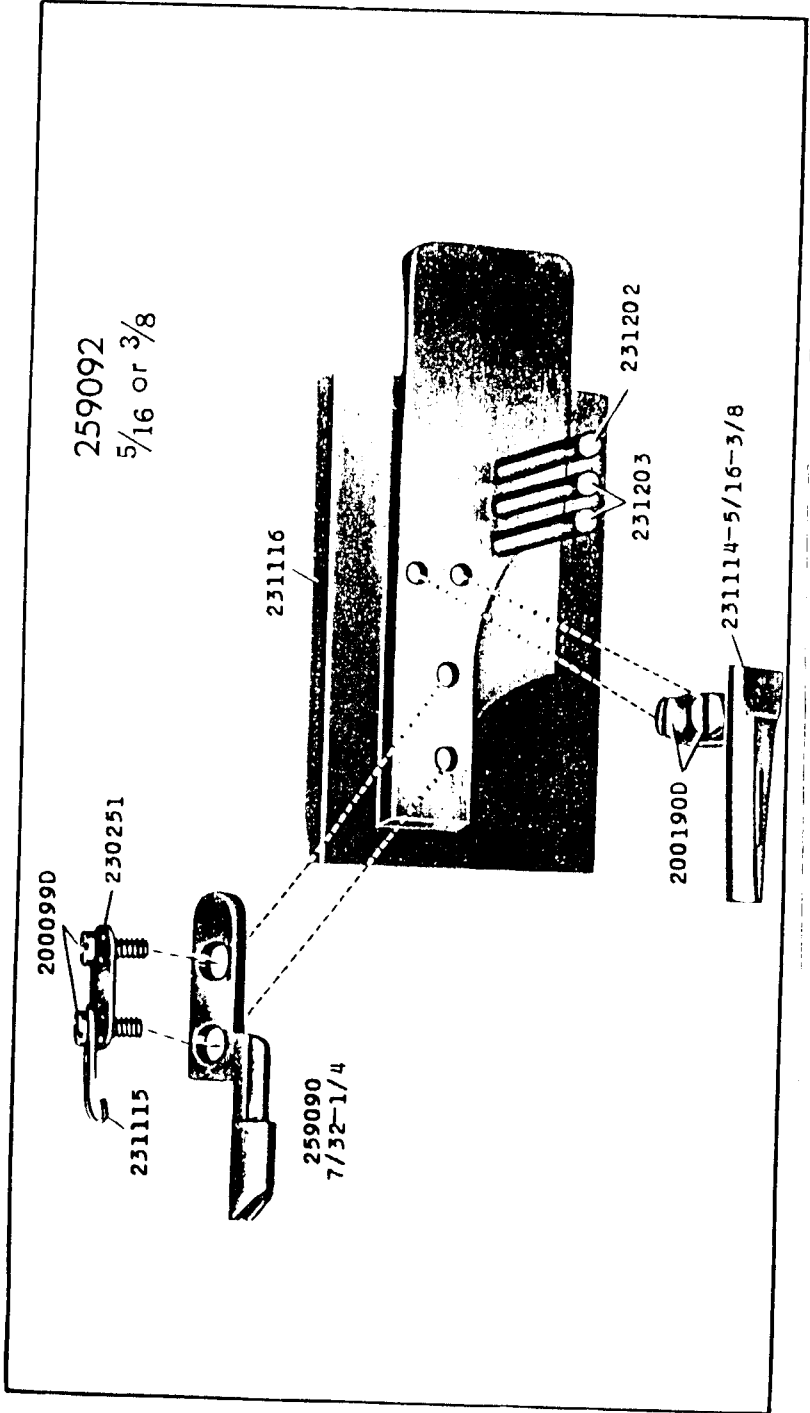
17010 - 1/2



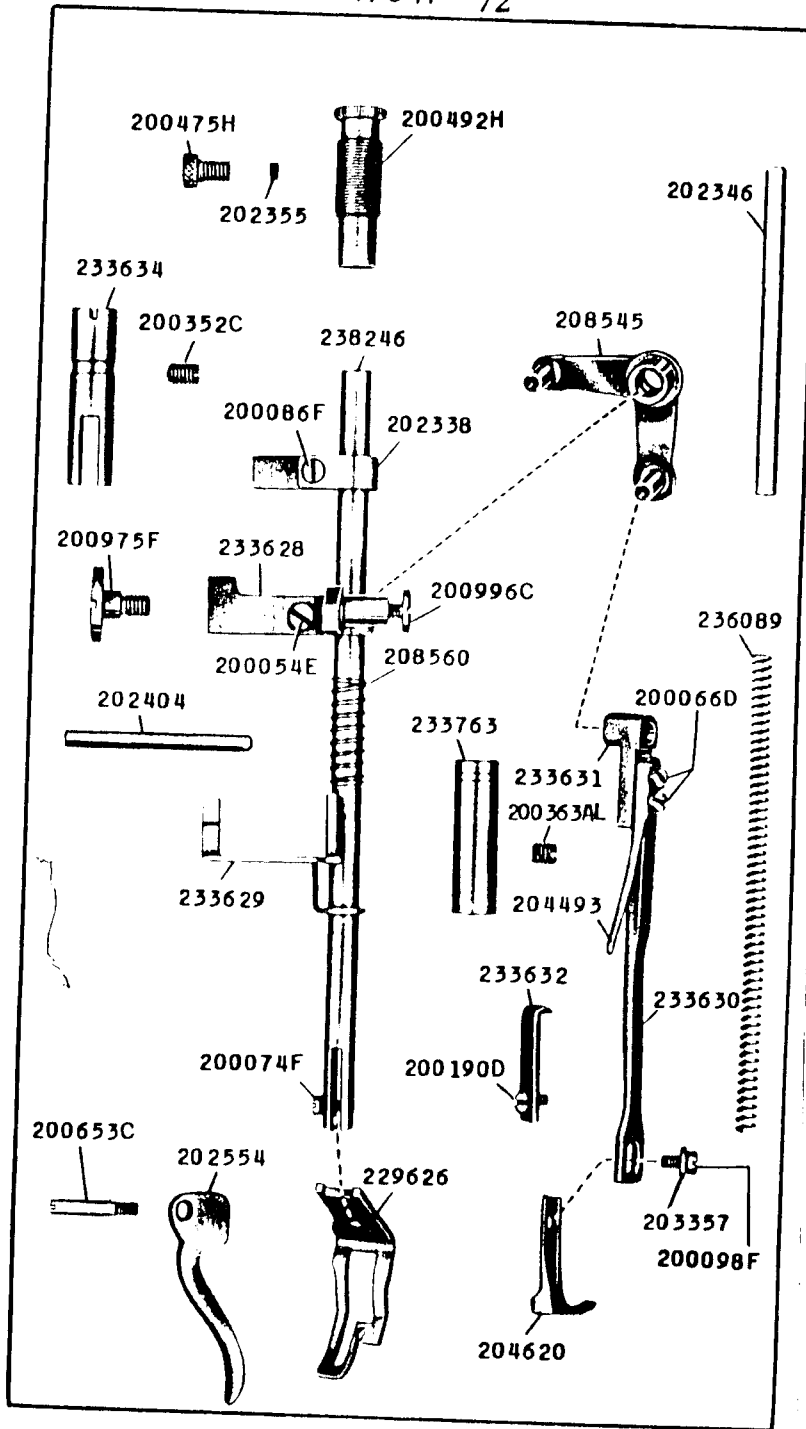
17024 - 2/3



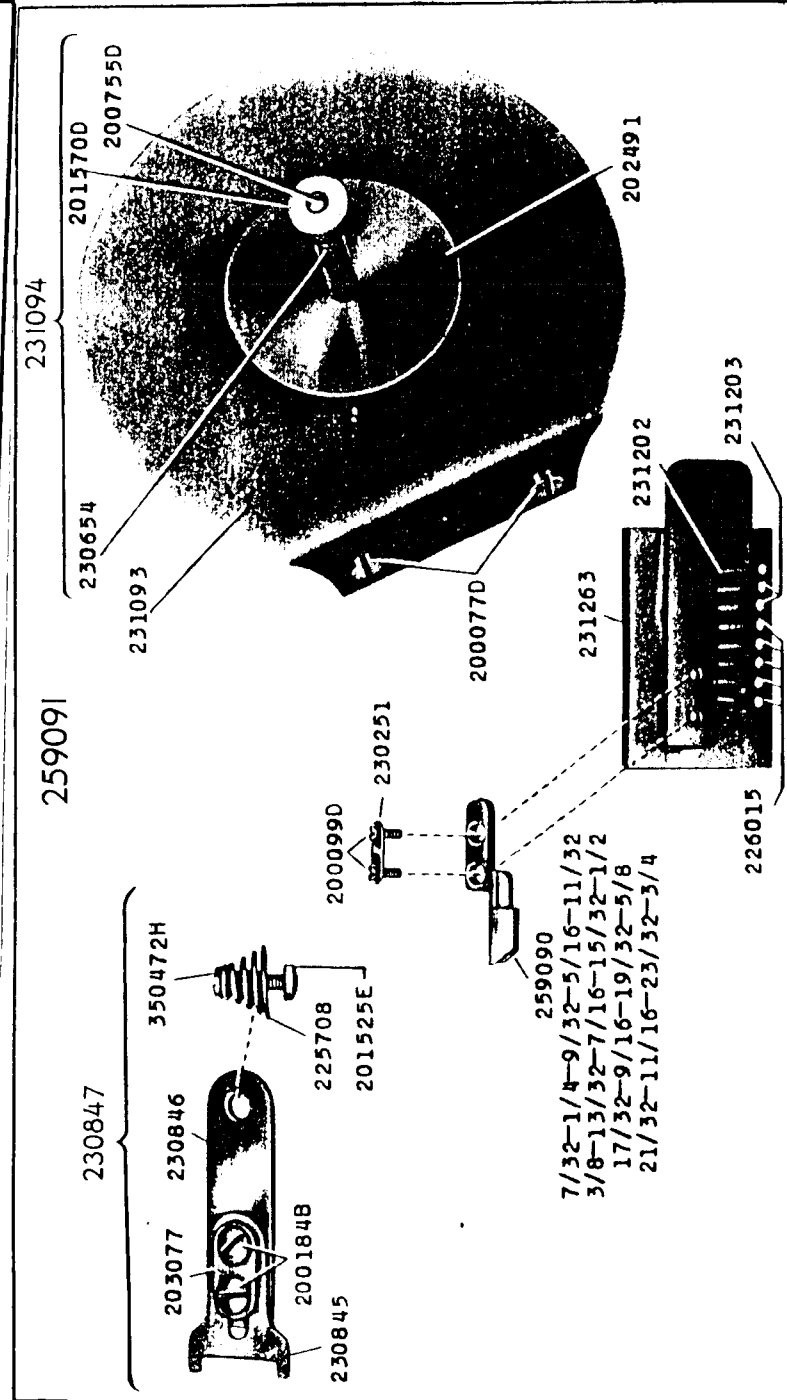




17041 - 1/2

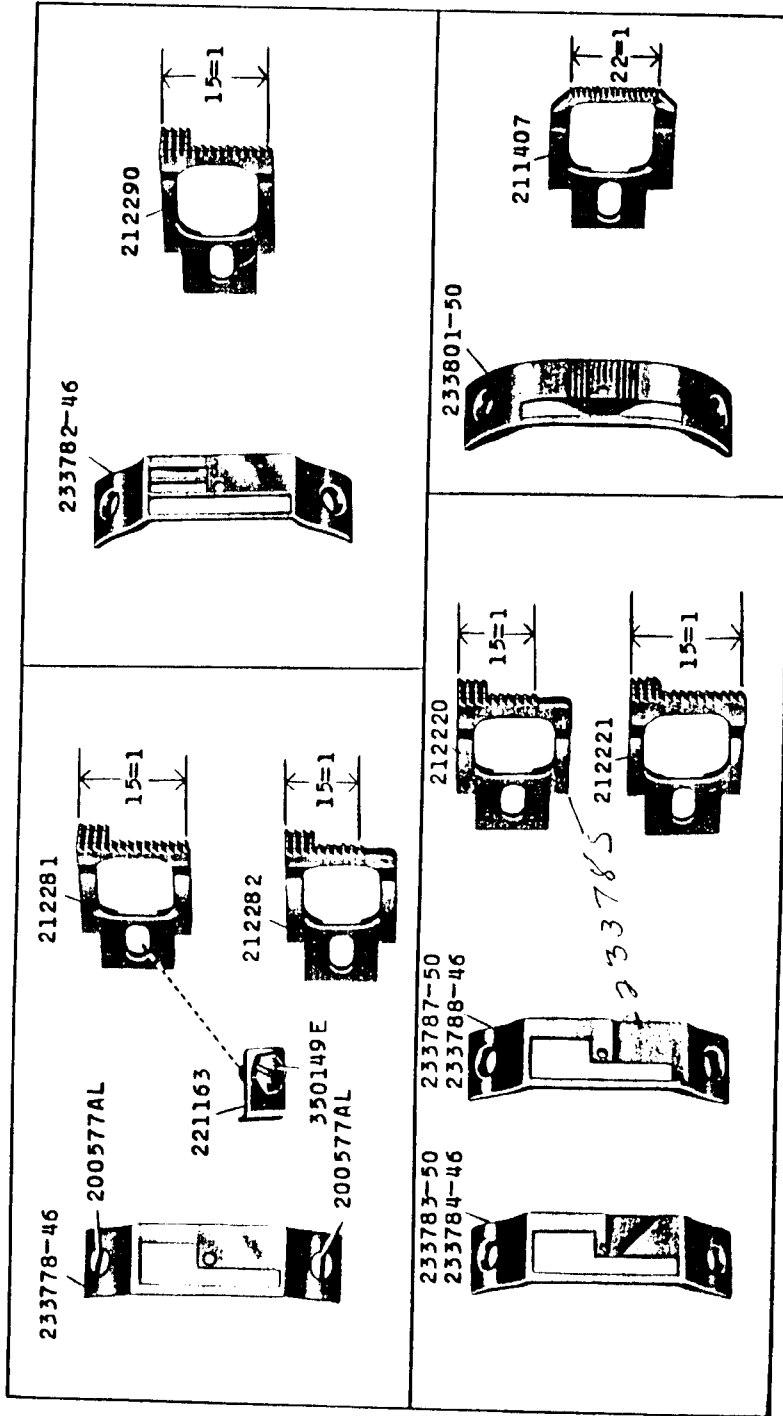


17042 - 1/2

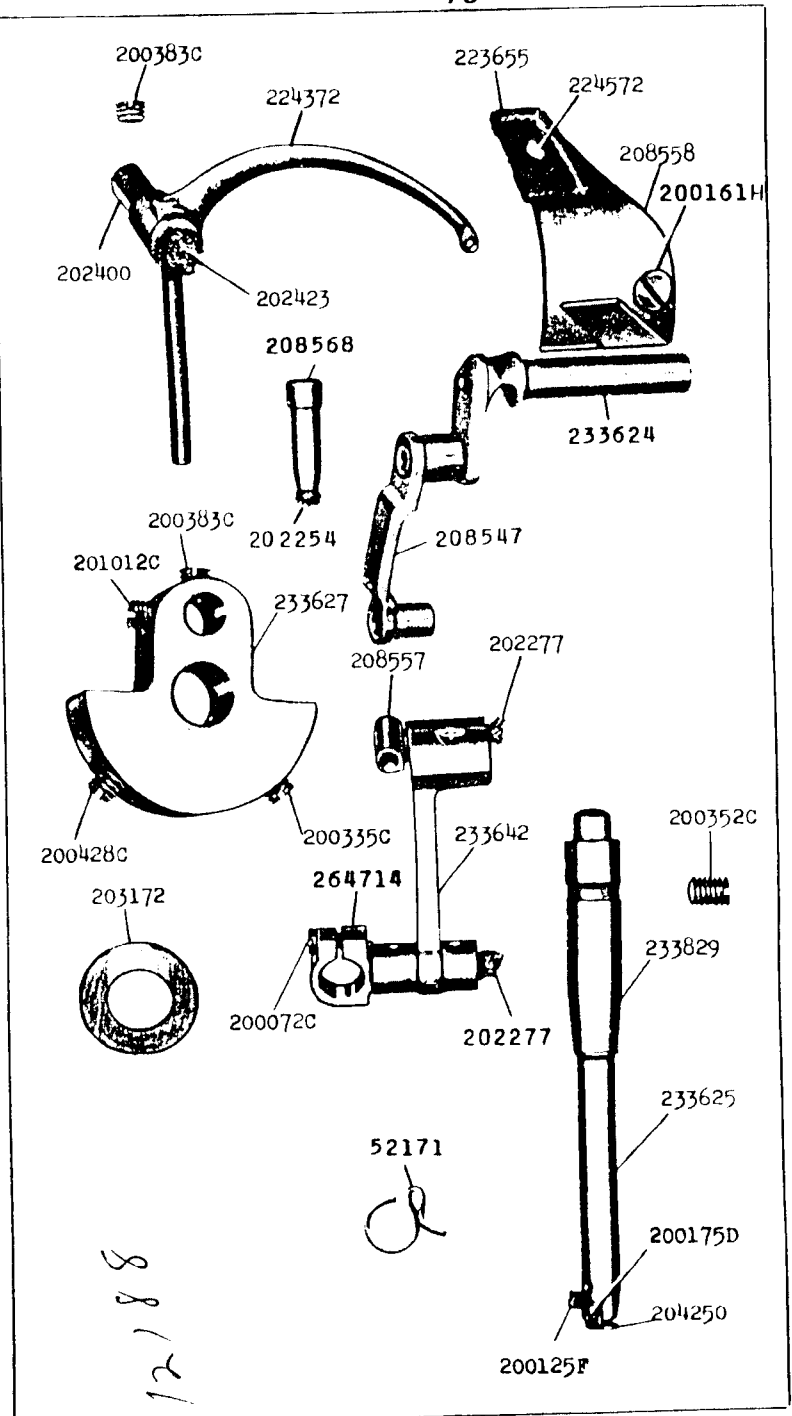




17039 - 5/8



17040 - 5/8



204604



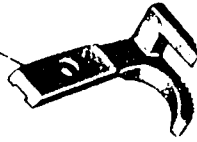
204605



206674-40



206668



206675



206678



206714



206719



204602



204603



229633



206672



206694



229628



206673



206707



206715



206716



206717



204621



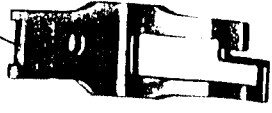
206692



206693



204595



204620



204610



206700



206676



204606



206699



204607



206716



204601



206707

