

# SINGER

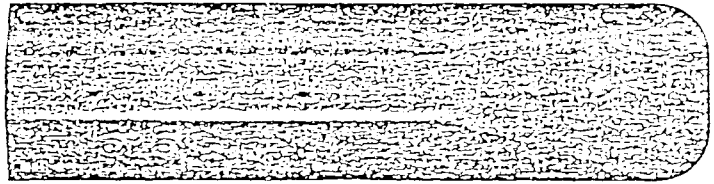
## PARTS LIST OF MODEL

143B6 LOWER FEED

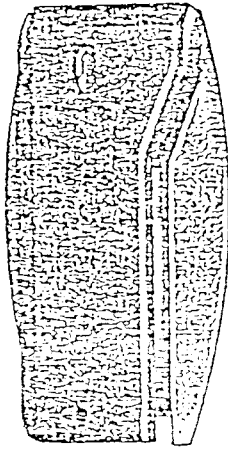
143B6R LOWER FEED WITH PULLER

15007  
Y Y Y Y Y Y

1805



1806



1427

1427

10682

110635

11006



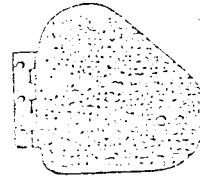
13078-02

• 15038

1803



15039



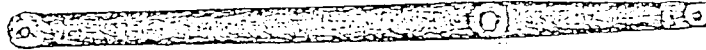
1849

1851

1850

13023 10699

1431



2058

1432



3025

17056

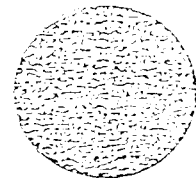
8093

8046

8050

6339 6350

1433

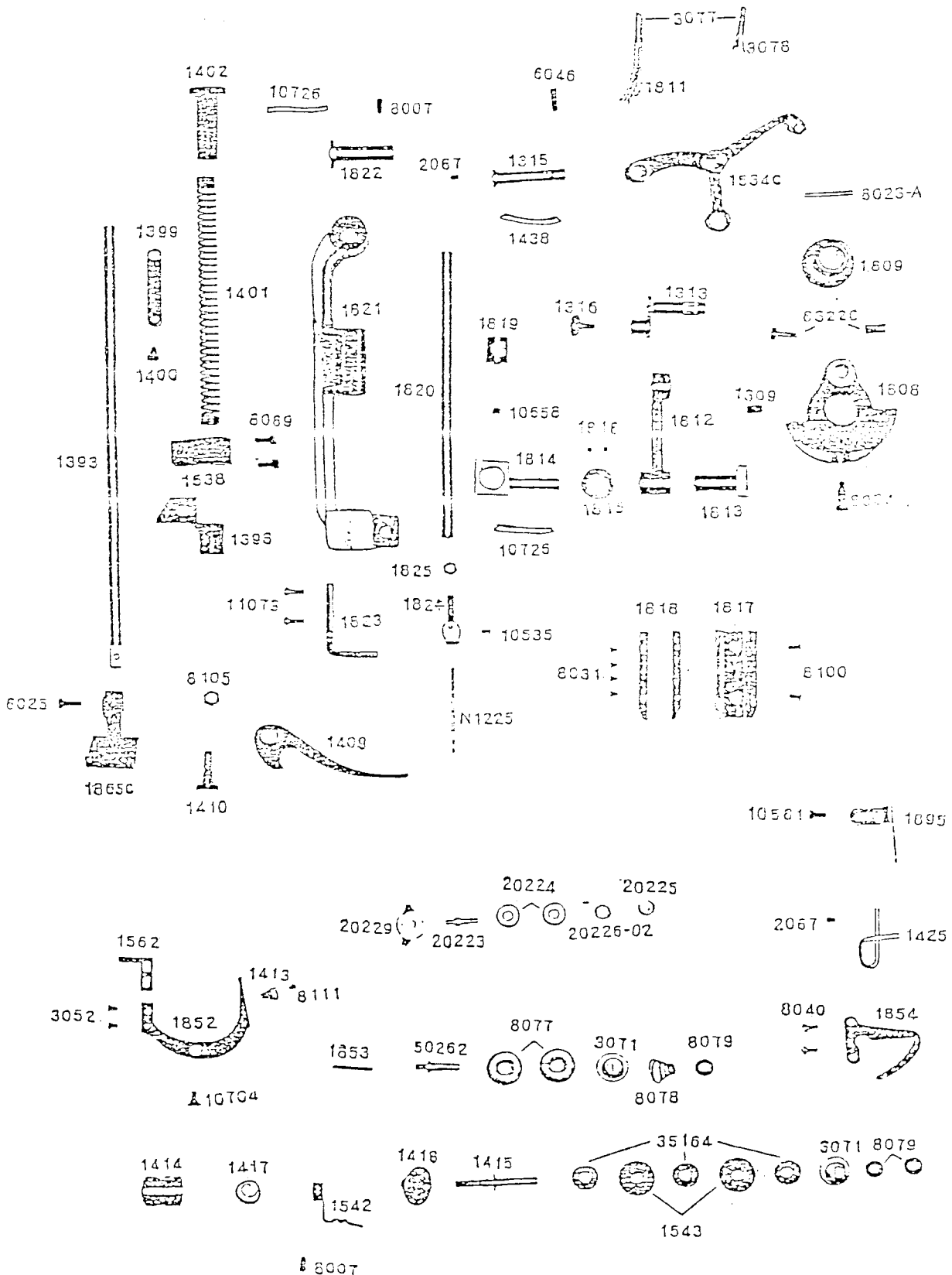


8094

Y Y Y Y Y Y

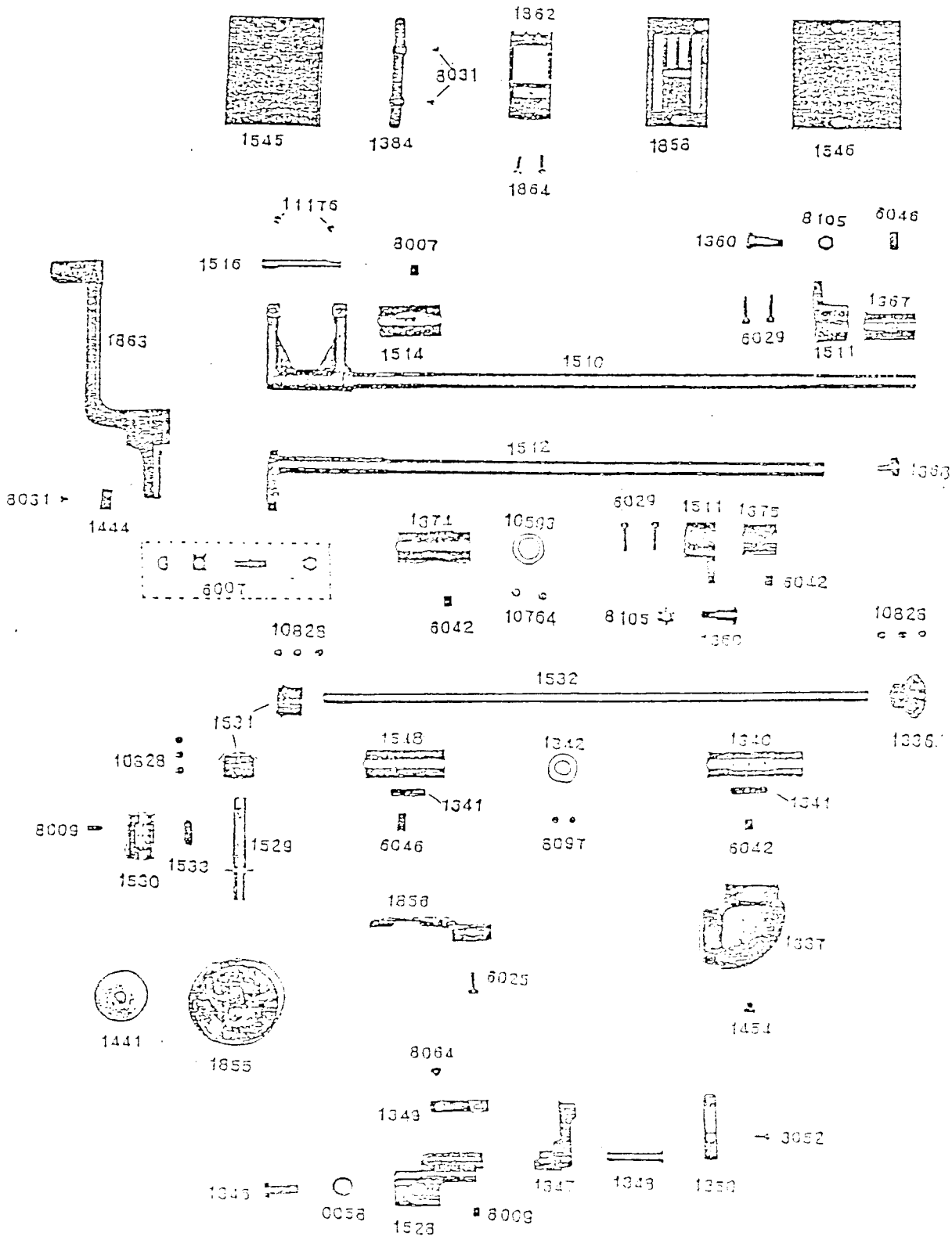
10794

NOTE: WHEN ORDERING PARTS, PREFIX ALL NUMBERS WITH CS, EXAMPLE CS \_\_\_\_\_

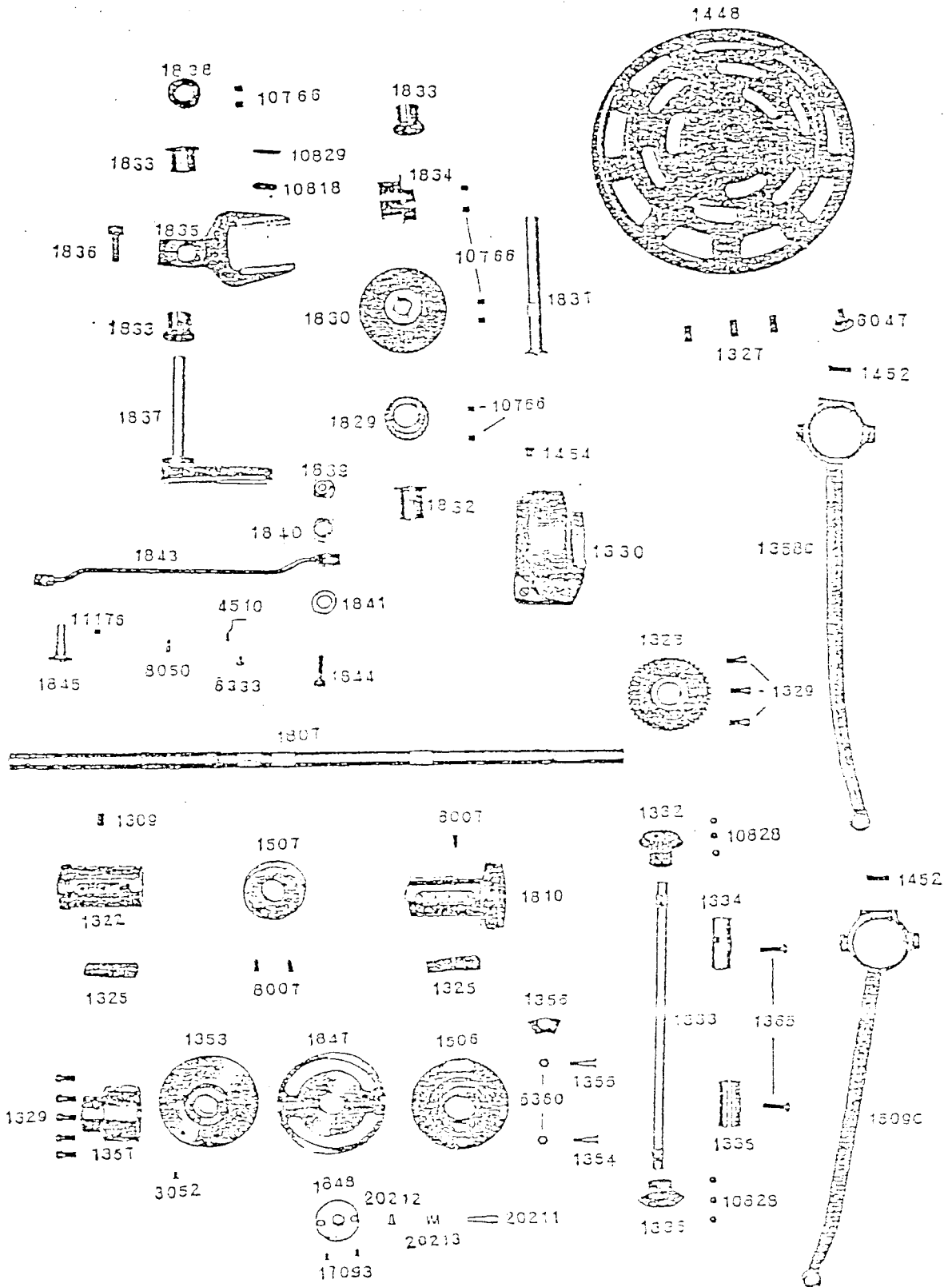


NOTE: WHEN ORDERING PARTS, PREFIX ALL NUMBERS WITH CS, EXAMPLE CS

Y Y-1850-Y Y



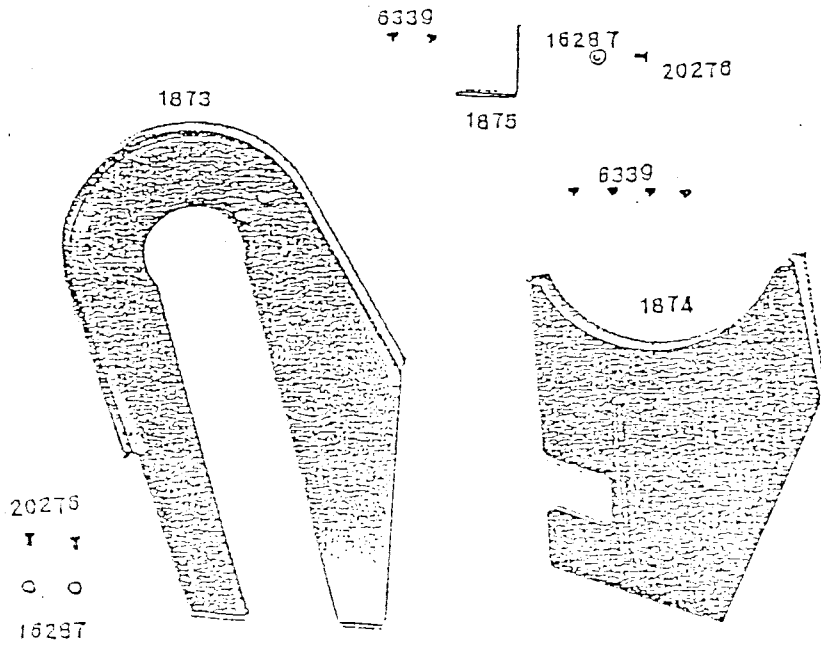
NOTE: WHEN ORDERING PARTS, PREFIX ALL NUMBERS WITH CS, EXAMPLE CS \_\_\_\_\_



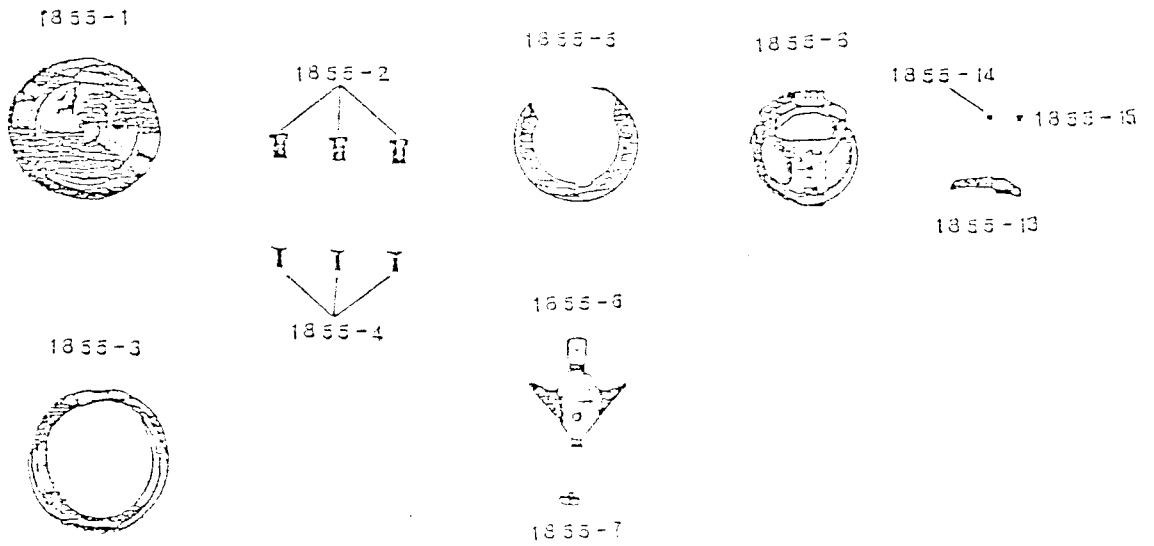
NOTE: WHEN ORDERING PARTS, PREFIX ALL NUMBERS WITH CS, EXAMPLE CS \_\_\_\_\_

BELT GUARD - Optional Equipment

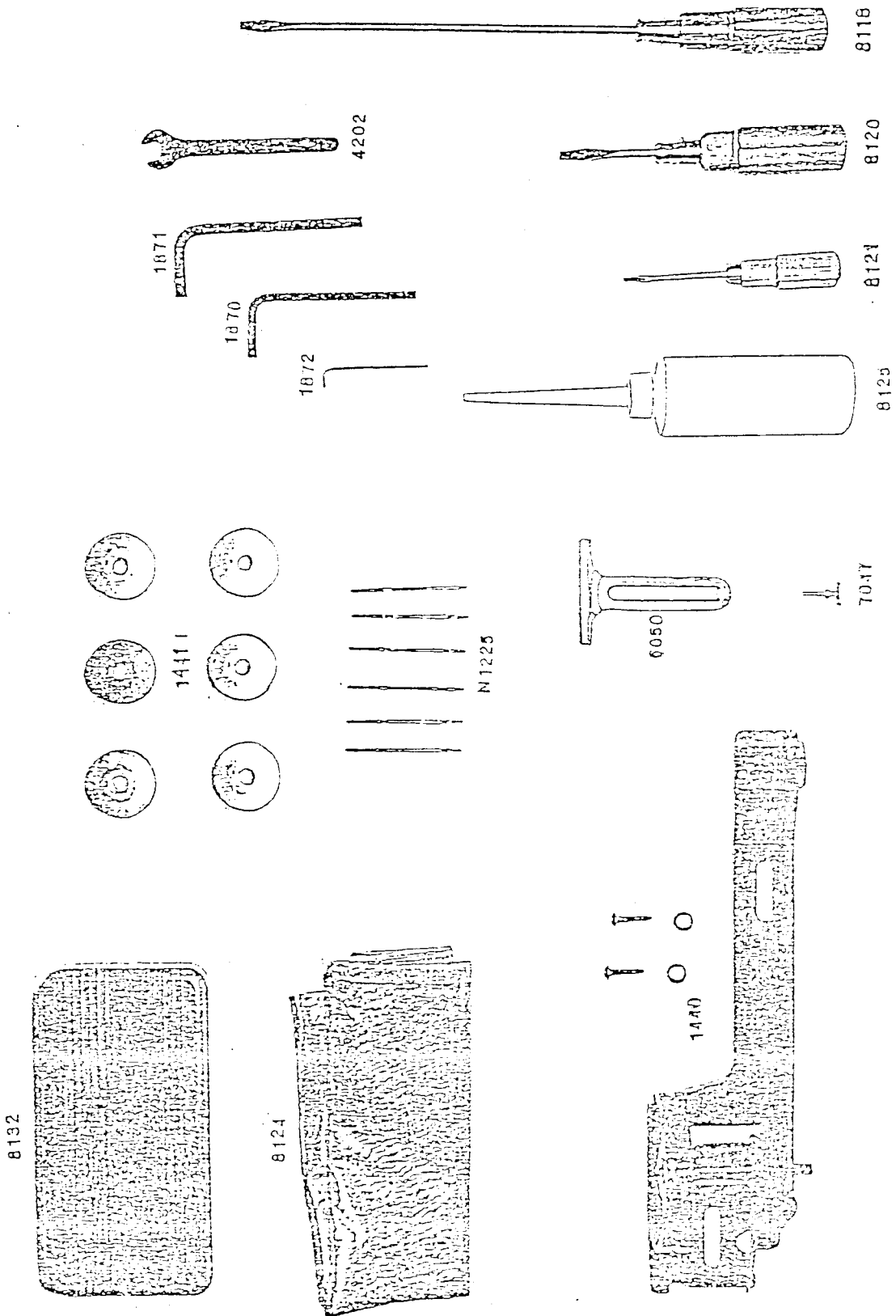
(set No. is 1873C)



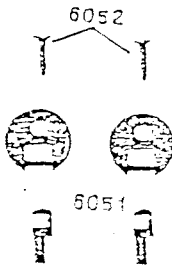
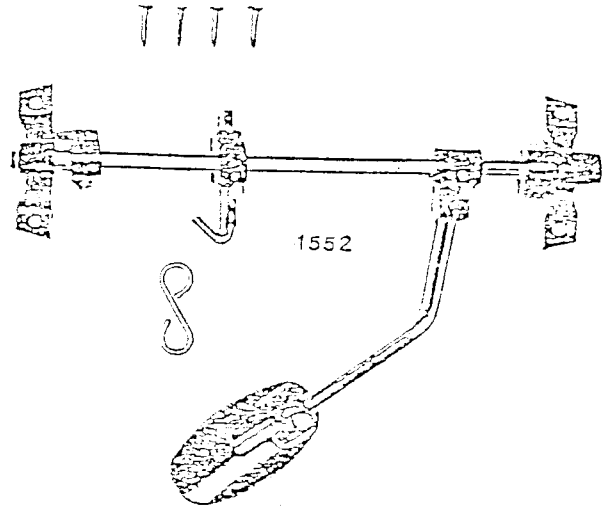
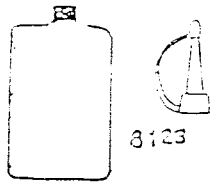
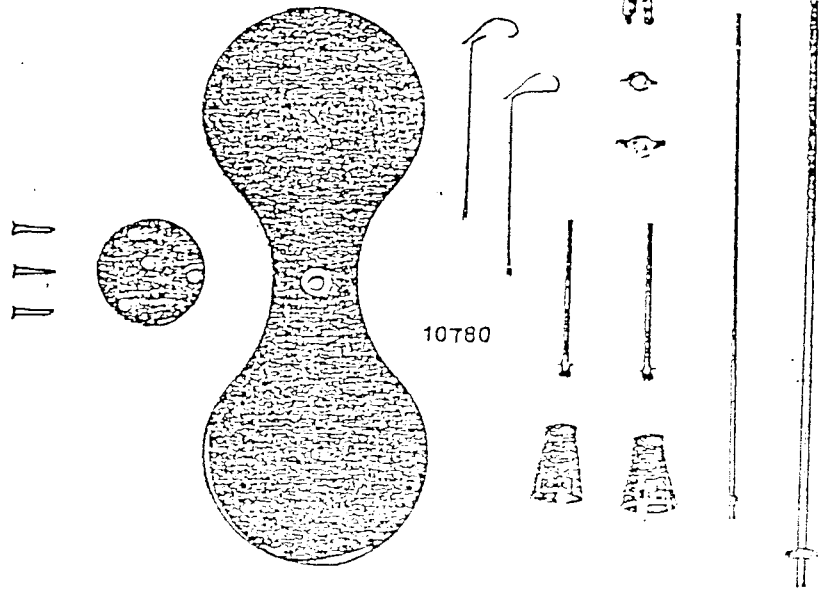
HOOK PARTS



NOTE: WHEN ORDERING PARTS, PREFIX ALL NUMBERS WITH CS, EXAMPLE CS \_\_\_\_\_

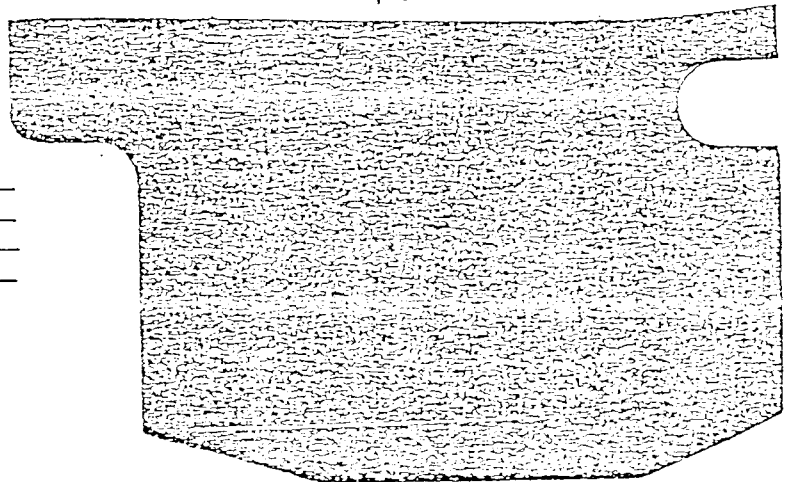
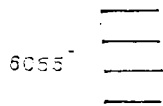


NOTE: WHEN ORDERING PARTS, PREFIX ALL NUMBERS WITH CS, EXAMPLE CS \_\_\_\_\_



2-11176-3

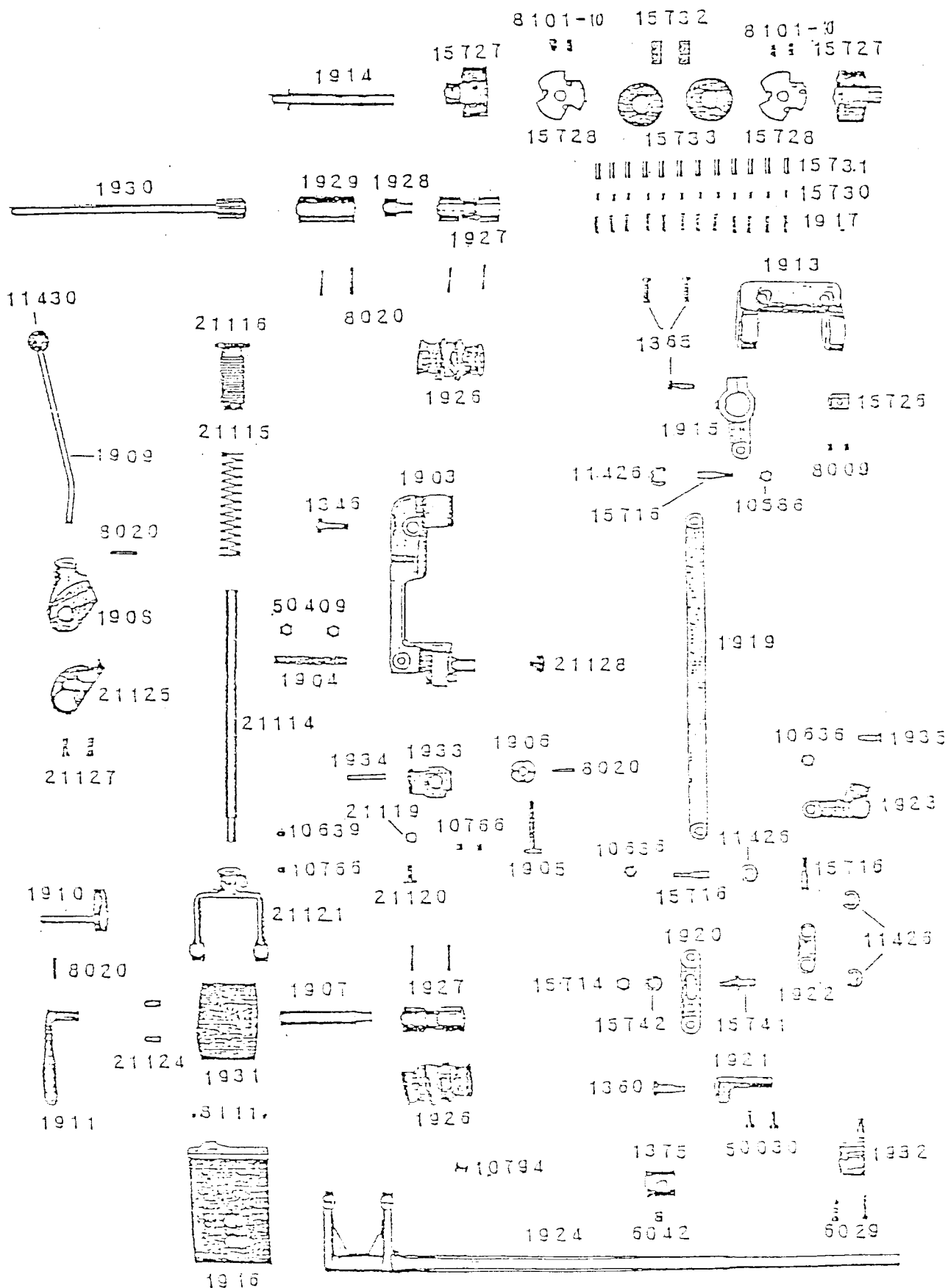
1553



NOTE: WHEN ORDERING PARTS, PREFIX ALL NUMBERS WITH CS, EXAMPLE CS \_\_\_\_\_



Floth Puller (MODEL 143B6R)



NOTE: WHEN ORDERING PARTS, PREFIX ALL NUMBERS WITH CS, EXAMPLE CS \_\_\_\_\_