

ILLUSTRATED PARTS LIST

FOR
SINGER®

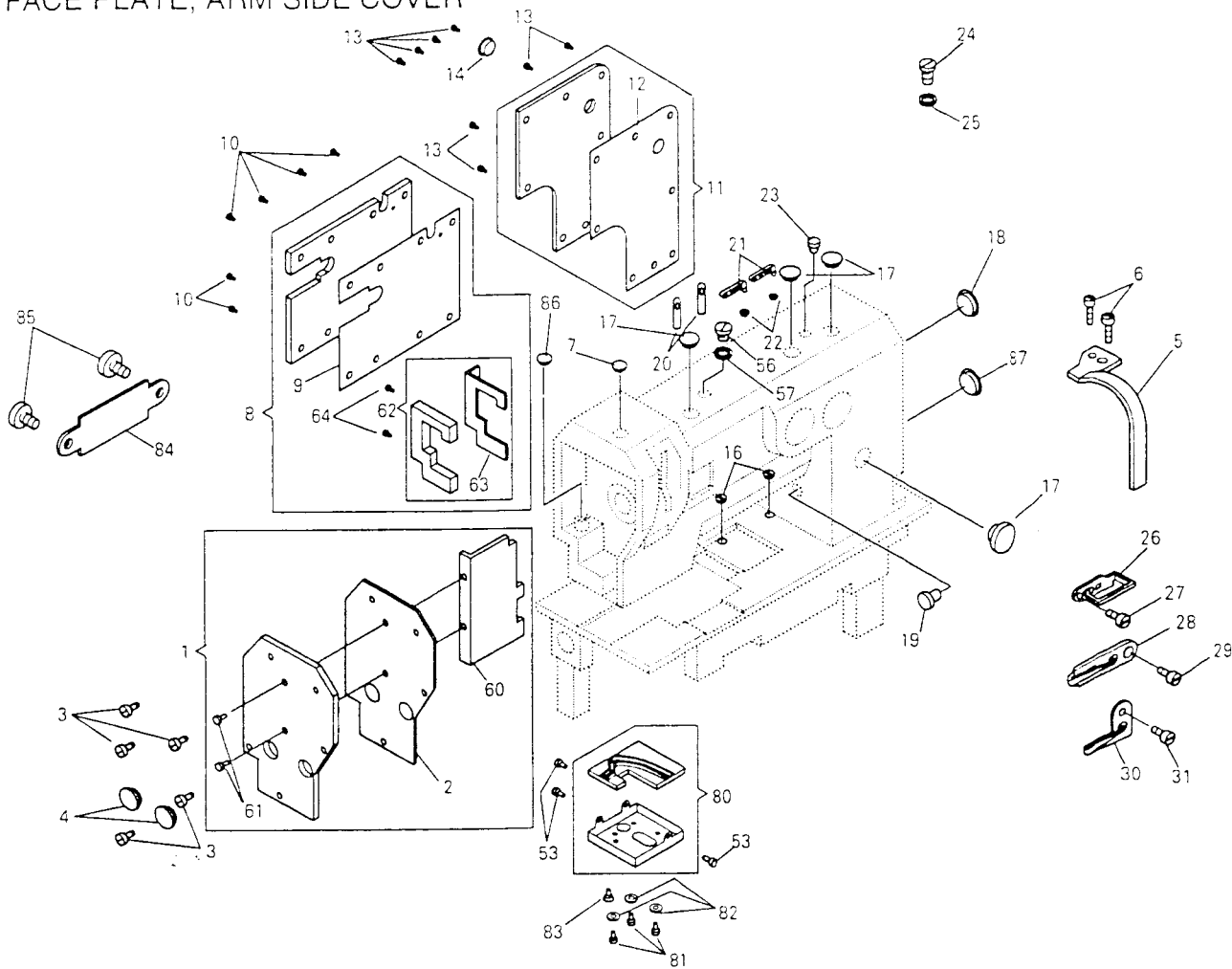
MACHINES

412U 141A
141B
141G
541A
541B
541G

CONTENTS

FACE PLATE, ARM SIDE COVER	1
TAKE-UP LEVER, ARM SHAFT, MACHINE PULLEY	2
NEEDLE BAR, NEEDLE BAR ROCK FRAME	3
PRESSER FOOT, PRESSER BAR, PRESSER BAR LIFTER	4
FEED MECHANISM (FEED ROCK SHAFT DRIVING FRAME)	5
FEED REGULATING DIAL, FEED REVERSE LEVER	6
FEED BAR, FEED DRIVING ROCK SHAFT	7
HOOK DRIVING SHAFT,HOOK DRIVING SHAFT CONNECTION BELT PULLEY	8
HOOK SADDLE (RIGHT), HOOK	9
HOOK SADDLE (LEFT), HOOK	11
LUBRICATION (PLUNGER PUMP)	13
LUBRICATION (OIL RESERVOIR)	14
LUBRICATION (BED AREA)	15
TENSION	16
BOBBIN WINDER	17
THREAD TRIMMER 1	18
THREAD TRIMMER 2	19
TENSION RELEASING	20
BACK TACK MECHANISM	21
BACK TACK SWITCH	22
WIPER	23
GAUGE PARTS	24
ACCESSORIES AND ATTACHMENTS 1	25
ACCESSORIES AND ATTACHMENTS 2	26
ACCESSORIES AND ATTACHMENTS 3	27
PARTS AVAILABLE AT EXTRA CHARGE	28

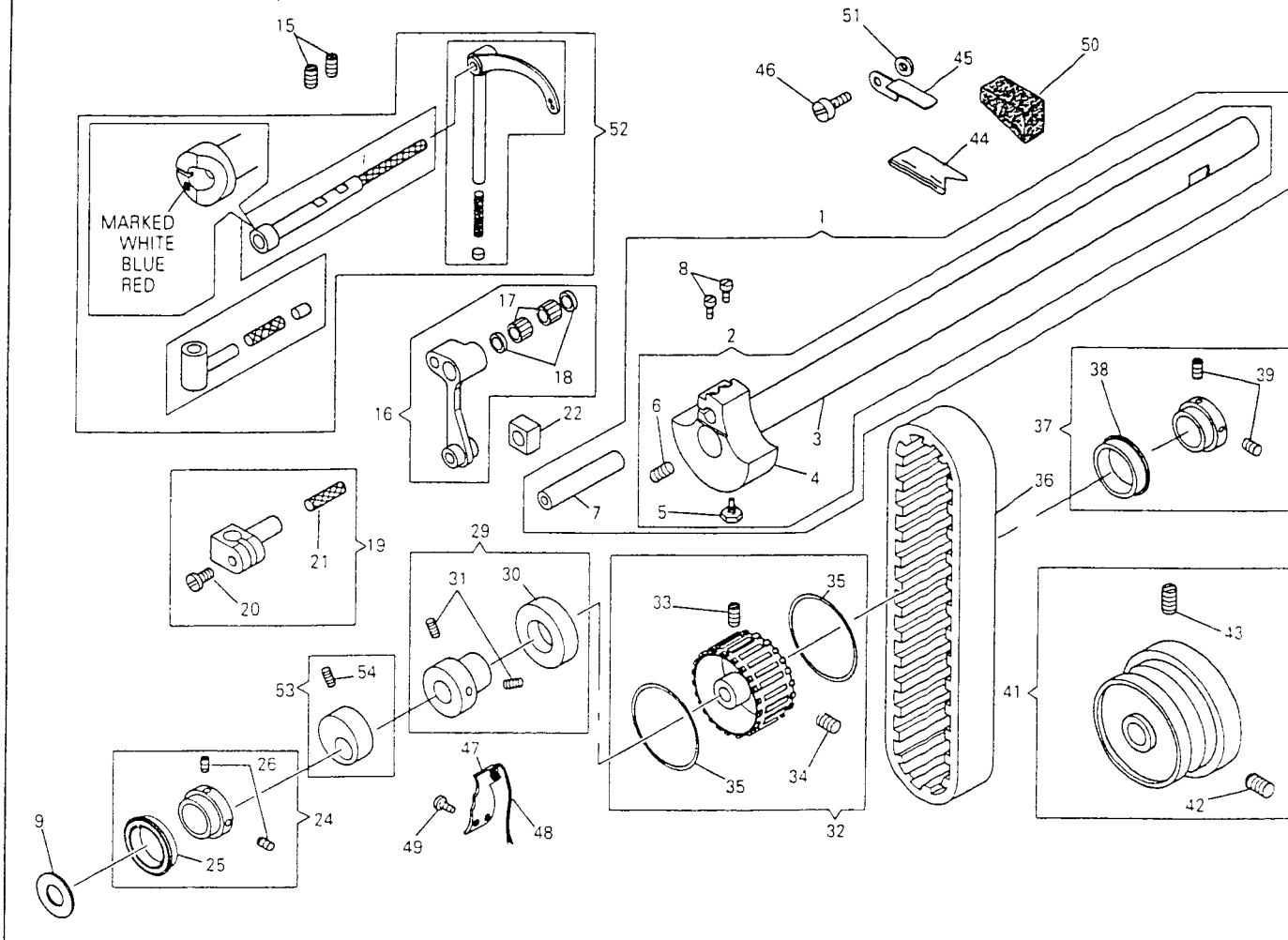
FACE PLATE, ARM SIDE COVER



NO	PART NO.	141A	141B	141G	541A	541B	541G	Y	Q	DESCRIPTION
1	552866-467	*	-	-	-	-	-	1		FACE PLATE AND FACE PLATE PACKING COMP.
1	554490-467	-	*	*	*	*	*	1		FACE PLATE AND FACE PLATE PACKING COMP.
2	554309	*	*	*	*	*	*	1		FACE PLATE PACKING
3	544217-052	*	*	*	*	*	*	5		FACE PLATE SCREW
4	368063	*	*	*	*	*	*	2		FACE PLATE PLUG
5	552410-467	-	-	-	-	-	-	1		TAKE-UP LEVER GUARD
5	552823-467	-	-	-	-	-	-	1		TAKE-UP LEVER GUARD
6	544217-052	*	*	*	*	*	*	2		TAKE-UP LEVER GUARD SCREW
7	418384-452	*	*	*	*	*	*	1		ARM HOLE PLUG (NEEDLE BAR HOLE)
8	554450	*	*	*	*	*	*	1		ARM SIDE COVER (SMALL) AND ARM SIDE COVER (SMALL) GASKET COMP.
9	554308	*	*	*	*	*	*	1		ARM SIDE COVER (SMALL) GASKET
10	544217-052	*	*	*	*	*	*	6		ARM SIDE COVER (SMALL) SCREW
11	552867	*	*	*	*	*	*	1		ARM SIDE COVER (LARGE) AND ARM SIDE COVER (LARGE) GASKET COMP.
12	554310	*	*	*	*	*	*	1		ARM SIDE COVER (LARGE) PACKING
13	544217-052	*	*	*	*	*	*	8		ARM SIDE COVER (LARGE) SCREW
14	368063-392	*	*	*	*	*	*	1		ARM SIDE COVER (LARGE) HOLE PLUG
16	549230	*	*	*	*	*	*	2		BED OIL HOLE PLUG
17	544875-392	*	*	*	*	*	*	4		ARM HOLE PLUG
18	552835	*	*	*	*	*	*	1		ARM HOLE PLUG (BACK)
19	508283	*	*	*	*	*	*	1		ARM HOLE PLUG (FEED REVERSE LEVER HINGE STUD HOLE)
20	508562	*	*	*	*	*	*	2		THREAD GUIDE STUD
21	411092	*	*	*	*	*	*	2		THREAD RETAINER (4-HOLES)
22	541180	*	*	*	*	*	*	2		THREAD RETAINER (4-HOLES) NUT
23	375014-452	*	*	*	*	*	*	1		ARM HOLE PLUG (SMALL)
24	544212-003	*	*	*	*	*	*	1		EARTH WIRE SCREW
25	543803-003	*	*	*	*	*	*	1		EARTH WIRE SCREW WASHER
26	552415	*	*	*	*	*	*	1		THREAD GUIDE (UPPER)
27	544347	*	*	*	*	*	*	1		THREAD GUIDE (UPPER) SCREW
28	267316	*	*	*	*	*	*	1		THREAD GUIDE (MIDDLE)
29	544347	*	*	*	*	*	*	1		THREAD GUIDE (MIDDLE) SCREW
30	224040	*	*	*	*	*	*	1		THREAD GUIDE (LOWER)
31	544347	*	*	*	*	*	*	1		THREAD GUIDE (LOWER) SCREW

NO	PART NO.	141A	141B	141G	541A	541B	541G	Y	Q	DESCRIPTION
53	544217-051	*	*	*	*	*	*	3		NEEDLE BAR ROCK FRAME COVER SCREW
56	545036	*	*	*	*	*	*	1		TAKE-UP LEVER OIL HOLE CAP SCREW
57	545754	*	*	*	*	*	*	1		TAKE-UP LEVER OIL HOLE CAP SCREW PACKING
60	554492	-	*	*	-	*	*	1		FACE PLATE OIL GUARD
61	544211-002	-	*	*	-	*	*	2		FACE PLATE OIL GUARD SCREW
62	554451	*	*	*	*	*	*	1		ARM SIDE COVER (SMALL) OIL GUARD COMP.
63	554686	*	*	*	*	*	*	1		ARM SIDE COVER (SMALL) OIL GUARD OIL SEAL
64	544211-002	*	*	*	*	*	*	2		ARM SIDE COVER (SMALL) OIL GUARD SCREW
80	554876	*	*	*	*	*	*	1		NEEDLE BAR ROCK FRAME COVER PACKING COMP.
81	374497-001	*	*	*	*	*	*	3		NEEDLE BAR ROCK FRAME COVER SCREW
82	548054	*	*	*	*	*	*	3		NEEDLE BAR ROCK FRAME COVER SCREW WASHER
83	374583-002	*	*	*	*	*	*	1		NEEDLE BAR ROCK FRAME COVER SCREW
84	554640	*	-	-	-	-	-	1		ARM SIDE COVER
85	544217-052	*	-	-	-	-	-	2		ARM SIDE COVER SCREW
86	418384-452	*	-	-	-	-	-	1		ARM HOLE PLUG
87	502760	*	*	*	*	*	*	1		ARM HOLE PLUG (FEED REGULATOR SHAFT HOLE)

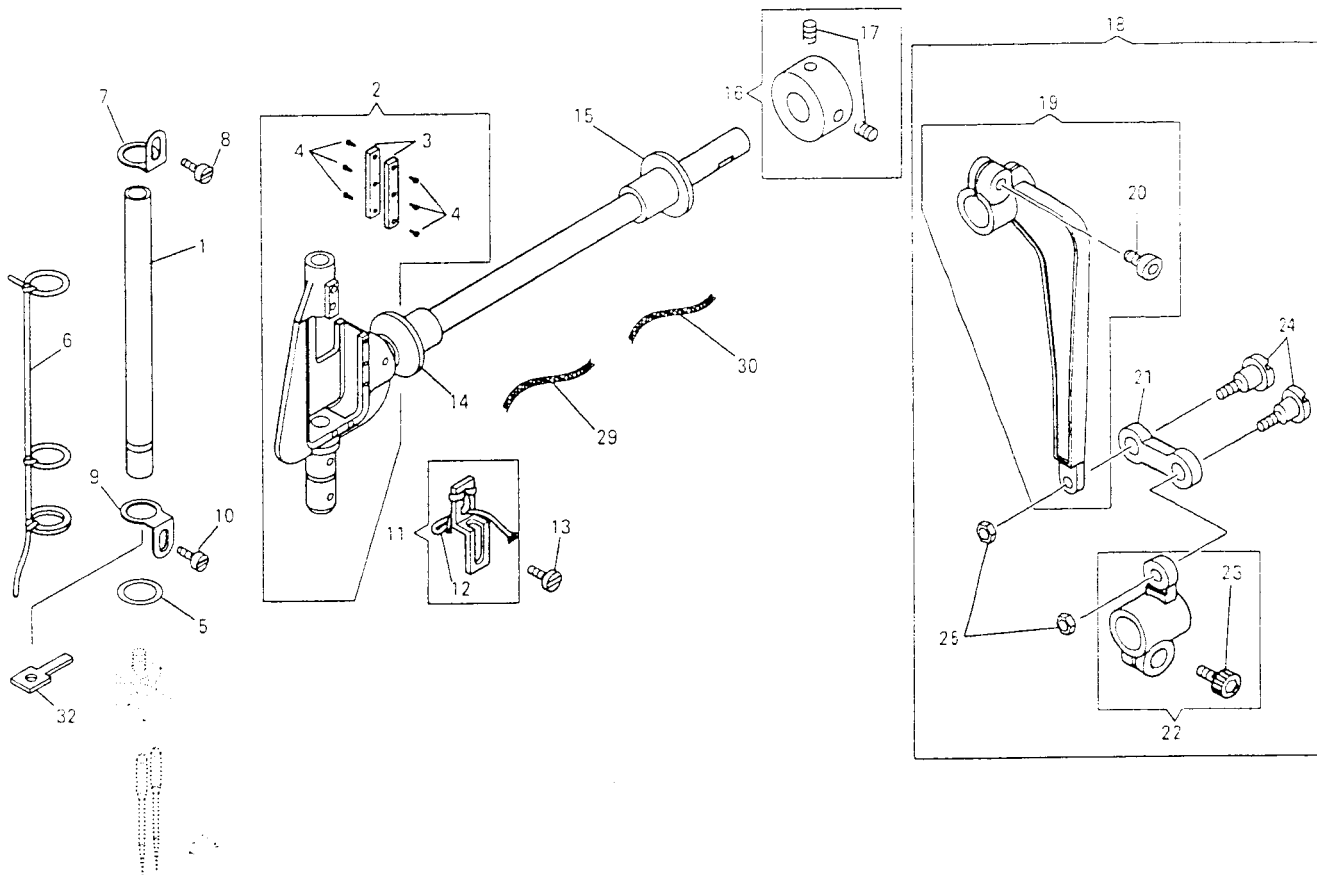
TAKE-UP LEVER, ARM SHAFT, MACHINE PULLEY



NO	PART NO.	141A	141B	141G	541A	541B	541G	T	Q	DESCRIPTION
1	554811	*	*	*	-	-	-	1	1	ARM SHAFT, NEEDLE BAR CONNECTING LINK STUD COMP.
1	554814	-	-	-	*	*	*	1	1	ARM SHAFT, NEEDLE BAR CONNECTING LINK STUD COMP.
2	554812	*	*	*	-	-	-	1	1	ARM SHAFT NEEDLE BAR CRANK COMP.
2	554815	-	-	-	*	*	*	1	1	ARM SHAFT NEEDLE BAR CRANK COMP.
3	554323	*	*	*	*	*	*	1	1	ARM SHAFT
4	554813	*	*	*	-	-	-	1	1	NEEDLE BAR CRANK
4	554816	-	-	-	*	*	*	1	1	NEEDLE BAR CRANK
5	374100	*	*	*	*	*	*	1	1	NEEDLE BAR CRANK POSITION SCREW
6	504095	*	*	*	*	*	*	1	1	NEEDLE BAR CRANK SET SCREW
7	554693	*	*	*	*	*	*	1	1	NEEDLE BAR CONNECTING LINK STUD
8	544448	*	*	*	*	*	*	2	2	NEEDLE BAR CONNECTING LINK STUD SET SCREW
9	554325	*	*	*	*	*	*	1	1	NEEDLE BAR CRANK FRICTION WASHER
15	544209-006	*	*	*	*	*	*	2	2	TAKE-UP LEVER HINGE STUD SET SCREW
16	554327	*	*	*	*	*	*	1	1	NEEDLE BAR CONNECTING LINK COMP.
17	502964	*	*	*	*	*	*	2	2	NEEDLE BAR CONNECTING LINK BEARING
18	554329	*	*	*	*	*	*	2	2	NEEDLE BAR CONNECTING LINK BEARING RETAINING RING
19	552428	*	*	*	*	*	*	1	1	NEEDLE BAR CONNECTING STUD COMP.
20	545071	*	*	*	*	*	*	1	1	NEEDLE BAR CONNECTING STUD PINCH SCREW
21	202330	*	*	*	*	*	*	1	1	NEEDLE BAR CONNECTING STUD OIL WICK
22	552429	*	*	*	*	*	*	1	1	NEEDLE BAR CONNECTING STUD SLIDE BLOCK
24	554334	*	*	*	*	*	*	1	1	ARM SHAFT BALL BEARING (FRONT) COMP.
25	554335	*	*	*	*	*	*	1	1	ARM SHAFT BALL BEARING (FRONT)
26	544209-005	*	*	*	*	*	*	2	2	ARM SHAFT BALL BEARING INSIDE COLLAR SET SCREW
29	554651	*	*	*	*	*	*	1	1	ARM SHAFT BALL BEARING (MIDDLE) COMP.
30	554635	*	*	*	*	*	*	1	1	ARM SHAFT BALL BEARING (MIDDLE)
31	544207-012	*	*	*	*	*	*	2	2	ARM SHAFT BALL BEARING INSIDE COLLAR SET SCREW
32	554336	*	*	*	*	*	*	1	1	ARM SHAFT CONNECTION BELT PULLEY COMP.

NO.	PART NO.	141A	141B	141G	541A	541B	541G	T	Q	DESCRIPTION
33	544322	*	*	*	*	*	*	1	1	ARM SHAFT CONNECTION BELT PULLEY SET SCREW
34	544330	*	*	*	*	*	*	1	1	ARM SHAFT CONNECTION BELT PULLEY POSITION SCREW
35	202253	*	*	*	*	*	*	2	2	ARM SHAFT CONNECTION BELT PULLEY SPRING FLANGE
36	267161	*	*	*	*	*	*	1	1	ARM SHAFT CONNECTION BELT
37	554783	*	*	*	*	*	*	1	1	ARM SHAFT BALL BEARING (BACK) COMP.
38	554784	*	*	*	*	*	*	1	1	ARM SHAFT BALL BEARING (BACK)
39	544209-005	*	*	*	*	*	*	2	2	ARM SHAFT BALL BEARING INSIDE COLLAR SET SCREW
41	554656-383	*	*	*	*	*	*	1	1	MACHINE PULLEY COMP.
42	141566	*	*	*	*	*	*	1	1	MACHINE PULLEY POSITION SCREW
43	141567-833	*	*	*	*	*	*	1	1	MACHINE PULLEY SET SCREW
44	552899	*	*	*	*	*	*	1	1	TAKE-UP LEVER OIL FELT
45	552898	*	*	*	*	*	*	1	1	TAKE-UP LEVER OIL FELT RETAINER
46	414508	*	-	-	-	-	-	1	1	TAKE-UP LEVER OIL FELT RETAINER SCREW
47	554341	*	*	*	*	*	*	1	1	TAKE-UP LEVER OIL GUARD
48	554342	*	*	*	*	*	*	1	1	TAKE-UP LEVER OIL GUARD OIL WICK
49	545114	*	*	*	*	*	*	1	1	TAKE-UP LEVER OIL GUARD SCREW
50	554720	*	*	*	*	*	*	1	1	TAKE-UP LEVER OIL FELT PAD
51	548480	*	-	-	-	-	-	1	1	TAKE-UP LEVER OIL FELT RETAINER SPACER
52	554878-000	*	*	*	-	-	-	1	1	TAKE-UP LEVER, TAKE-UP LEVER DRIVING STUD, TAKE-UP LEVER HINGE STUD COMP.
52	554879-000	-	-	-	*	*	*	1	1	-001 (MARKED WHITE) -002 (MARKED BLUE) -003 (MARKED RED) TAKE-UP LEVER, TAKE-UP LEVER DRIVING STUD, TAKE-UP LEVER HINGE STUD COMP.
52	554597	-	-	-	*	*	*	1	1	-001 (MARKED WHITE) -002 (MARKED BLUE) -003 (MARKED RED) ARM SHAFT BALANCER COMP.
54	544209-006	-	-	-	*	*	*	1	1	ARM SHAFT BALANCER SET SCREW

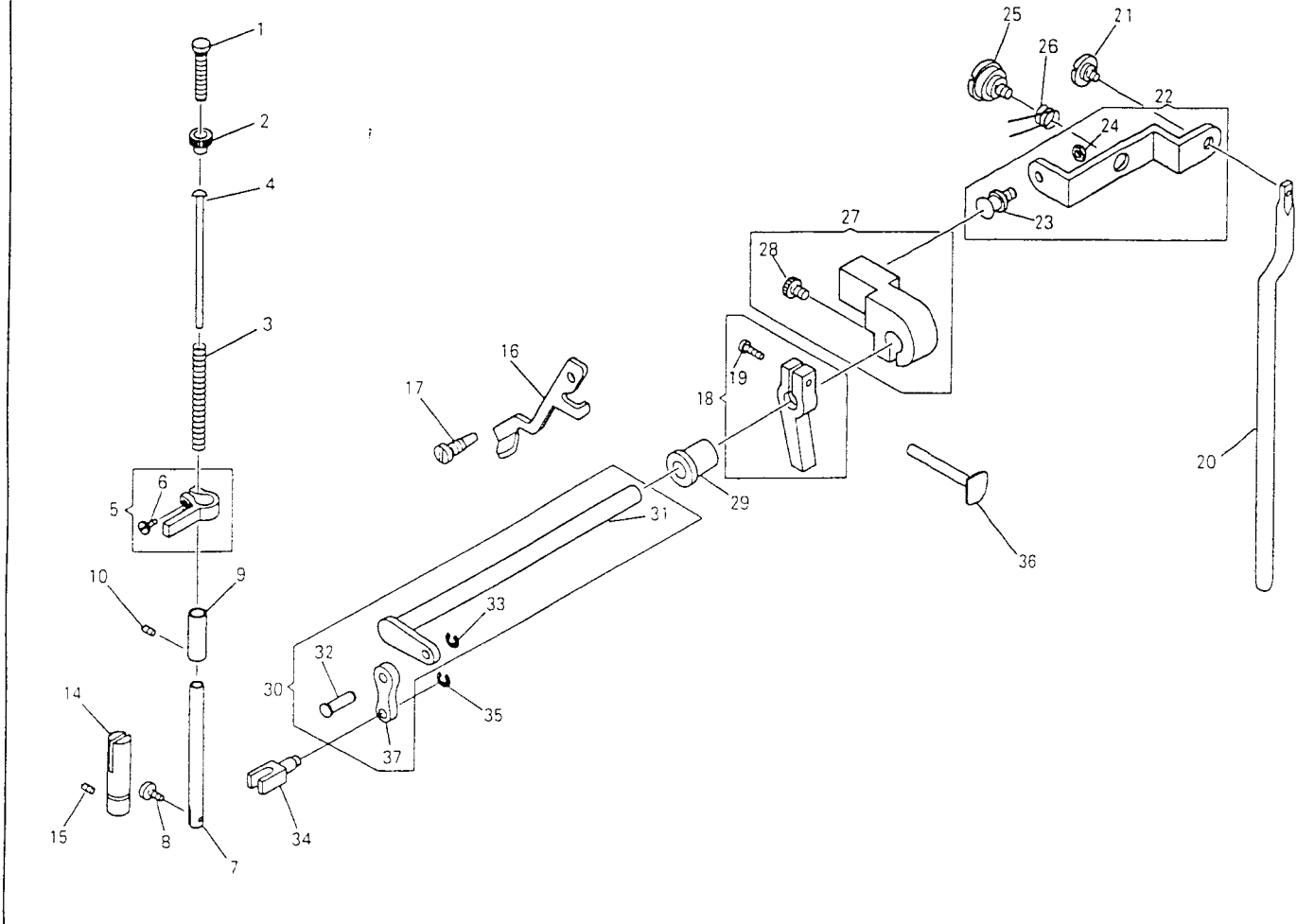
NEEDLE BAR, NEEDLE BAR ROCK FRAME



QTY	PART NO.	141A	141B	141G	541A	541B	541G	DESCRIPTION
1	412175	*	*	*	*	*	*	NEEDLE BAR
1	552435	*	*	*	*	*	*	NEEDLE BAR ROCK FRAME COMP.
2	554358	*	*	*	*	*	*	NEEDLE BAR ROCK FRAME WEAR PLATE
6	544377	*	*	*	*	*	*	NEEDLE BAR ROCK FRAME WEAR PLATE SCREW
1	543871-012	*	*	*	*	*	*	NEEDLE BAR OIL GUARD
1	554862	*	*	*	*	*	*	NEEDLE BAR OIL WICK
1	552440	*	*	*	*	*	*	NEEDLE BAR OIL WICK RETAINER (UPPER)
1	544376	*	*	*	*	*	*	NEEDLE BAR OIL WICK RETAINER (UPPER) SCREW
1	554531	*	*	*	*	*	*	NEEDLE BAR OIL WICK RETAINER (LOWER)
1	544376	*	*	*	*	*	*	NEEDLE BAR OIL WICK RETAINER (LOWER) SCREW
1	554343	*	*	*	*	*	*	NEEDLE BAR CONNECTING LINK OIL WICK RETAINER COMP.
1	554344	*	*	*	*	*	*	NEEDLE BAR CONNECTING LINK OIL WICK
1	544376	*	*	*	*	*	*	NEEDLE BAR CONNECTING LINK OIL WICK RETAINER SCREW
1	554635	*	*	*	*	*	*	NEEDLE BAR ROCK FRAME ROCK SHAFT BUSHING (FRONT)
1	554636	*	*	*	*	*	*	NEEDLE BAR ROCK FRAME ROCK SHAFT BUSHING (BACK)
1	552443	*	*	*	*	*	*	NEEDLE BAR ROCK FRAME ROCK SHAFT COLLAR COMP.
2	544204-001	*	*	*	*	*	*	NEEDLE BAR ROCK FRAME ROCK SHAFT COLLAR SCREW
1	554637	*	*	*	*	*	*	NEEDLE BAR ROCK FRAME ROCK SHAFT CONNECTION, CRANK AND LINK COMP.
1	554638	*	*	*	*	*	*	NEEDLE BAR ROCK FRAME ROCK SHAFT CONNECTION COMP.

QTY	PART NO.	141A	141B	141G	541A	541B	541G	DESCRIPTION
1	374108-009	*	*	*	*	*	*	NEEDLE BAR ROCK FRAME ROCK SHAFT CONNECTION PINCH SCREW
1	552448	*	*	*	*	*	*	NEEDLE BAR ROCK FRAME ROCK SHAFT CRANK LINK
1	552449	*	*	*	*	*	*	NEEDLE BAR ROCK FRAME ROCK SHAFT CRANK COMP.
1	374108-009	*	*	*	*	*	*	NEEDLE BAR ROCK FRAME ROCK SHAFT CRANK PINCH SCREW
2	374547	*	*	*	*	*	*	NEEDLE BAR ROCK FRAME ROCK SHAFT CRANK LINK HINGE SCREW
2	541168-003	*	*	*	*	*	*	NEEDLE BAR ROCK FRAME ROCK SHAFT CRANK LINK HINGE SCREW NUT
1	554465-002	*	*	*	*	*	*	NEEDLE BAR ROCK FRAME ROCK SHAFT BUSHING (FRONT) OIL WICK
1	554466-003	*	*	*	*	*	*	NEEDLE BAR ROCK FRAME ROCK SHAFT BUSHING (BACK) OIL WICK
1	554858	*	*	*	*	*	*	NEEDLE BAR ROCK FRAME FELT

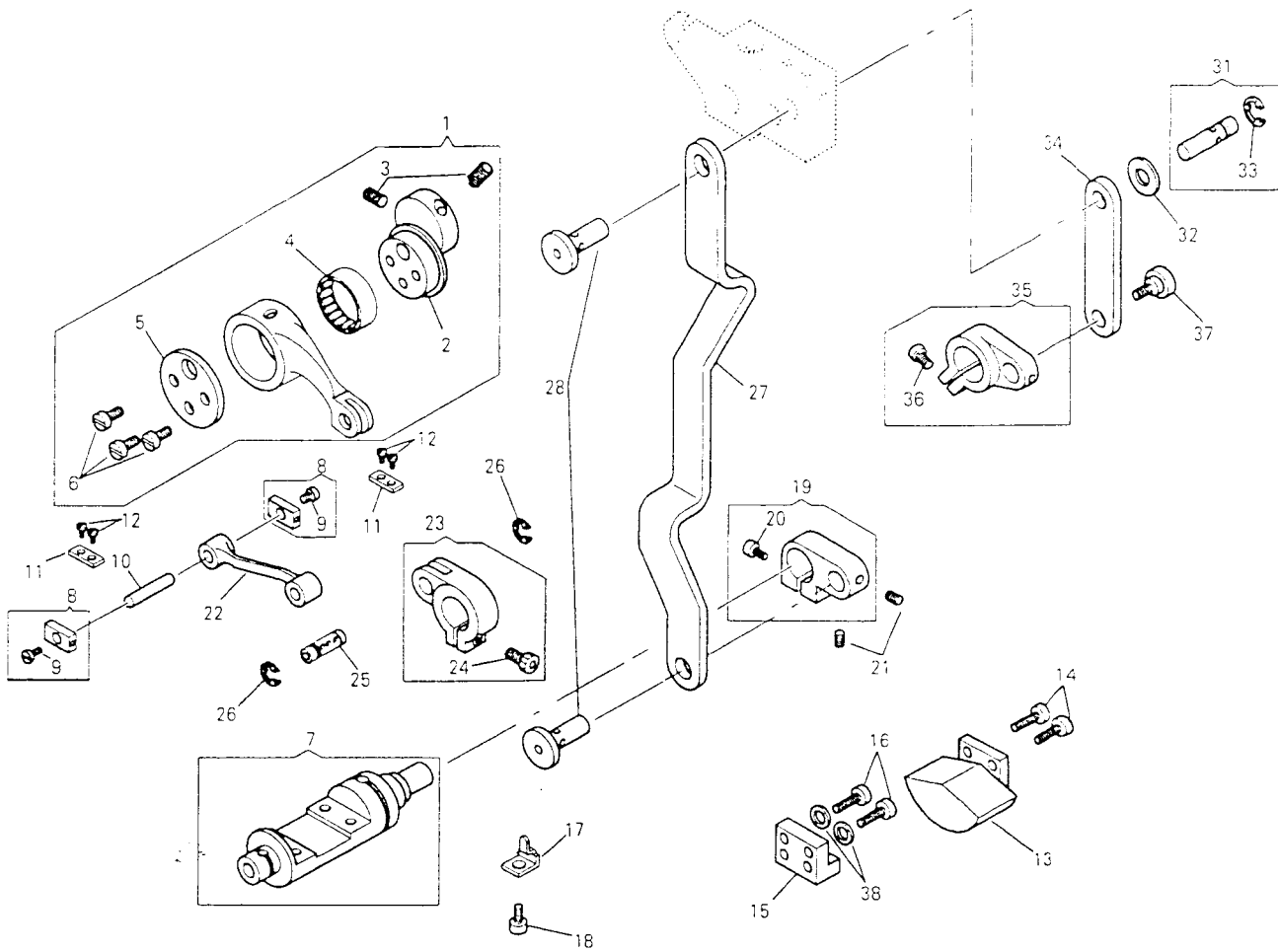
PRESSER FOOT, PRESSER BAR, PRESSER BAR LIFTER



NO	PART NO.					Y	T	Q	DESCRIPTION
		141A	141B	141G	541A				
1	552859	*	*	*	*	*	*	1	PRESSURE REGULATING SCREW
2	376424-383	*	*	*	*	*	*	1	PRESSURE REGULATING SCREW LOCK NUT
3	552454	*	*	*	*	*	*	1	PRESSER BAR SPRING
4	552455	*	*	*	*	*	*	1	PRESSURE REGULATING SCREW
5	552452	*	*	*	*	*	*	1	GUIDE ROD
6	545295	*	*	*	*	*	*	1	PRESSER BAR POSITION GUIDE LEVER COMP.
7	552451	*	*	*	*	*	*	1	PRESSER BAR
8	500256	*	*	*	*	*	*	1	PRESSER FOOT SCREW
9	554407	*	*	*	*	*	*	1	PRESSER BAR BUSHING
10	544205-002	*	*	*	*	*	*	1	PRESSER BAR BUSHING SET SCREW
14	202337	*	*	*	*	*	*	1	PRESSER BAR POSITION GUIDE
15	544205-002	*	*	*	*	*	*	1	PRESSER BAR POSITION GUIDE SET SCREW
16	552456	*	*	*	*	*	*	1	PRESSER BAR LIFTER
17	374541	*	*	*	*	*	*	1	PRESSER BAR LIFTER HINGE SCREW
18	552457	*	*	*	*	*	*	1	PRESSER BAR LIFTER ARM COMP.
19	374108-001	*	*	*	*	*	*	1	PRESSER BAR LIFTER ARM PINCH SCREW
20	552459	*	*	*	*	*	*	1	KNEE LIFTER ROCK LEVER LIFTING ROD
21	545356	*	*	*	*	*	*	1	KNEE LIFTER ROCK LEVER LIFTING ROD SCREW
22	552460	*	*	*	*	*	*	1	KNEE LIFTER ROCK LEVER COMP.
23	552462	*	*	*	*	*	*	1	KNEE LIFTER ROCK LEVER BALL STUD
24	541166-001	*	*	*	*	*	*	1	KNEE LIFTER ROCK LEVER BALL STUD LOCK NUT
25	374559	*	*	*	*	*	*	1	KNEE LIFTER ROCK LEVER SCREW
26	417113	*	*	*	*	*	*	1	KNEE LIFTER ROCK LEVER SPRING
27	552464	*	*	*	*	*	*	1	KNEE LIFTER SHAFT DRIVING ARM COMP.
28	374108-009	*	*	*	*	*	*	1	KNEE LIFTER SHAFT DRIVING ARM PINCH SCREW
29	552466	*	*	*	*	*	*	1	KNEE LIFTER SHAFT BUSHING

NO	PART NO.					Y	T	Q	DESCRIPTION
		141A	141B	141G	541A				
30	552467	*	*	*	*	*	*	1	KNEE LIFTER SHAFT LINK COMP.
31	552468	*	*	*	*	*	*	1	KNEE LIFTER SHAFT
32	552472	*	*	*	*	*	*	1	KNEE LIFTER SHAFT LINK PIN
33	543860-005	*	*	*	*	*	*	1	KNEE LIFTER SHAFT LINK PIN SNAP RING
34	552473	*	*	*	*	*	*	1	KNEE LIFTER SHAFT LINK BLOCK
35	543860-005	*	*	*	*	*	*	1	KNEE LIFTER SHAFT LINK BLOCK SNAP RING
36	552474	*	*	*	*	*	*	1	TENSION RELEASE LEVER ROD COMP.
37	552471	*	*	*	*	*	*	1	KNEE LIFTER SHAFT LINK

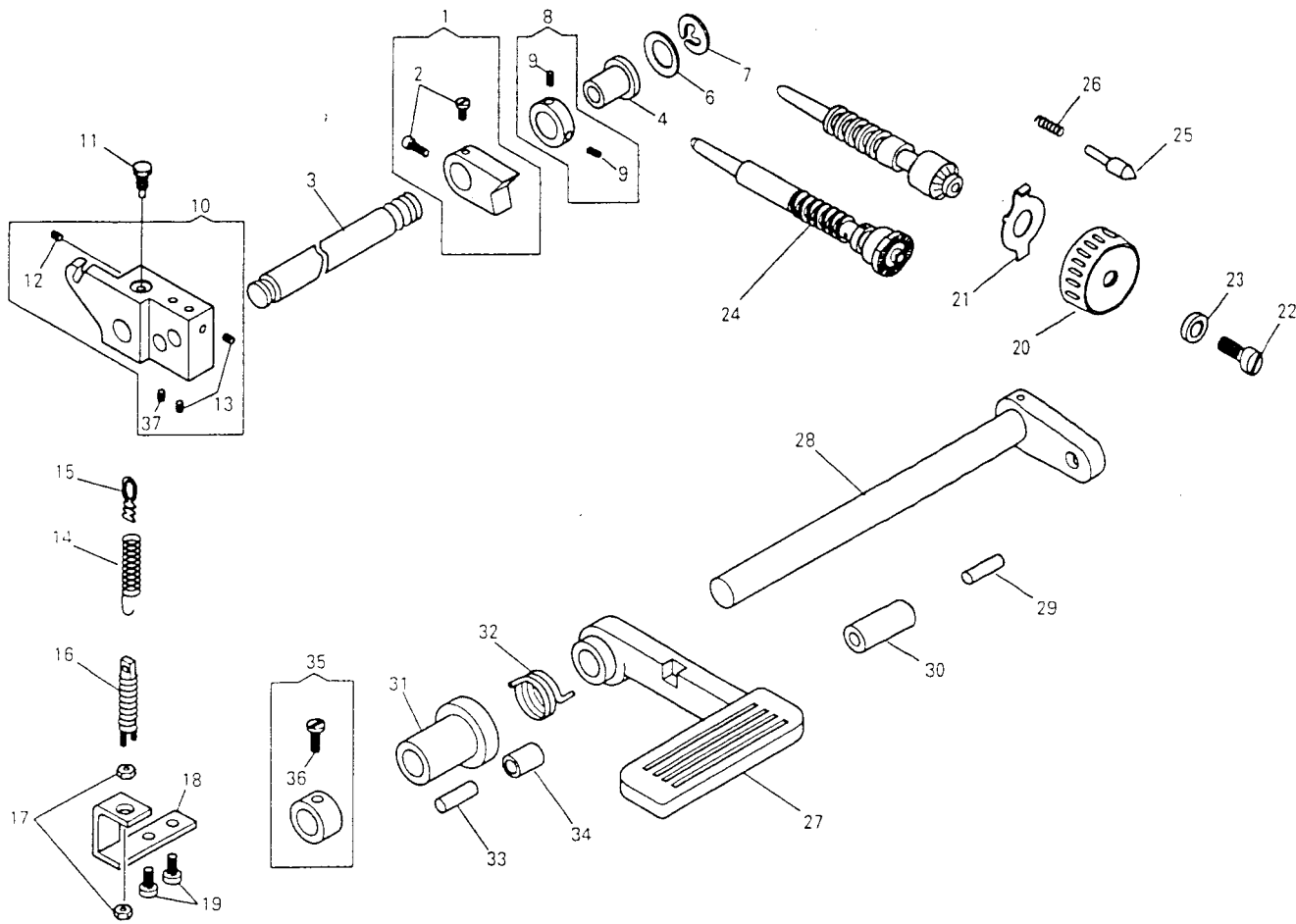
FEED MECHANISM (FEED ROCK SHAFT DRIVING FRAME)



NO.	PART NO.	141A				Y	T	Q	DESCRIPTION
		141B	141G	541A	541B				
1	552477	*	*	*	*	*	1	FEED DRIVING ECCENTRIC AND FEED DRIVING ECCENTRIC CONNECTION COMP.	
2	552478	*	*	*	*	*	1	FEED DRIVING ECCENTRIC	
3	544209-005	*	*	*	*	*	2	FEED DRIVING ECCENTRIC SET SCREW	
4	552479	*	*	*	*	*	1	FEED DRIVING ECCENTRIC CONNECTION BEARING	
5	552481	*	*	*	*	*	1	FEED DRIVING ECCENTRIC CONNECTION BEARING RETAINING PLATE	
6	544212-051	*	*	*	*	*	3	FEED DRIVING ECCENTRIC CONNECTION BEARING RETAINING PLATE SCREW	
7	552482	*	*	*	*	*	1	FEED ROCK SHAFT DRIVING FRAME COMP.	
8	552484	*	*	*	*	*	2	FEED ROCK SHAFT DRIVING SLIDE BLOCK COMP.	
9	549166	*	*	*	*	*	2	FEED ROCK SHAFT DRIVING SLIDE BLOCK SCREW	
10	552485	*	*	*	*	*	1	FEED ROCK SHAFT DRIVING SLIDE BLOCK STUD	
11	552486	*	*	*	*	*	2	FEED ROCK SHAFT DRIVING SLIDE BLOCK GUIDE PLATE	
12	544212-053	*	*	*	*	*	4	FEED ROCK SHAFT DRIVING SLIDE BLOCK GUIDE PLATE SCREW	
13	554493	*	*	*	*	*	1	FEED ROCK SHAFT DRIVING FRAME BALANCE WEIGHT	
14	374106-006	*	*	*	*	*	2	FEED ROCK SHAFT DRIVING FRAME BALANCE WEIGHT SCREW	
15	554494	*	*	*	*	*	1	FEED ROCK SHAFT DRIVING FRAME BALANCE WEIGHT BRACKET	
16	374107-003	*	*	*	*	*	2	FEED ROCK SHAFT DRIVING FRAME BALANCE WEIGHT BRACKET SCREW	
17	552487	*	*	*	*	*	1	FEED ROCK SHAFT DRIVING FRAME SUPPORT PLATE	
18	544213-051	*	*	*	*	*	1	FEED ROCK SHAFT DRIVING FRAME SUPPORT PLATE SCREW	

NO.	PART NO.	141A				Y	T	Q	DESCRIPTION
		141B	141G	541A	541B				
19	554798	*	*	*	*	*	1	FEED ROCK SHAFT DRIVING FRAME LEVER COMP.	
20	374107-004	*	*	*	*	*	1	FEED ROCK SHAFT DRIVING FRAME LEVER PINCH SCREW	
21	544208-005	*	*	*	*	*	2	FEED ROCK SHAFT DRIVING FRAME LEVER STUD SET SCREW	
22	552490	*	*	*	*	*	1	FEED ROCK SHAFT DRIVING LINK	
23	554680	*	*	*	*	*	1	FEED ROCK SHAFT CRANK COMP.	
24	374107-004	*	*	*	*	*	1	FEED ROCK SHAFT CRANK PINCH SCREW	
25	552493	*	*	*	*	*	1	FEED ROCK SHAFT CRANK PIN	
26	543801-006	*	*	*	*	*	2	FEED ROCK SHAFT CRANK PIN SNAP RING	
27	554756	*	*	*	*	*	1	FEED REGULATING LINK	
28	554797	*	*	*	*	*	2	FEED REGULATING LINK STUD	
31	554785	*	*	*	*	*	1	FEED REVERSE LINK STUD COMP.	
32	412226	*	*	*	*	*	1	FEED REVERSE LINK STUD THRUST WASHER	
33	543571	*	*	*	*	*	1	FEED REVERSE LINK STUD SNAP RING	
34	554757	*	*	*	*	*	1	FEED REVERSE LINK	
35	554754	*	*	*	*	*	1	FEED REVERSE LEVER SHAFT CRANK COMP.	
36	374107-004	*	*	*	*	*	1	FEED REVERSE LEVER SHAFT CRANK PINCH SCREW	
37	549288	*	*	*	*	*	1	FEED REVERSE LEVER SHAFT CRANK HINGE SCREW	
38	544840	*	*	*	*	*	2	FEED ROCK SHAFT DRIVING FRAME BALANCE WEIGHT BRACKET SPRING WASHER	

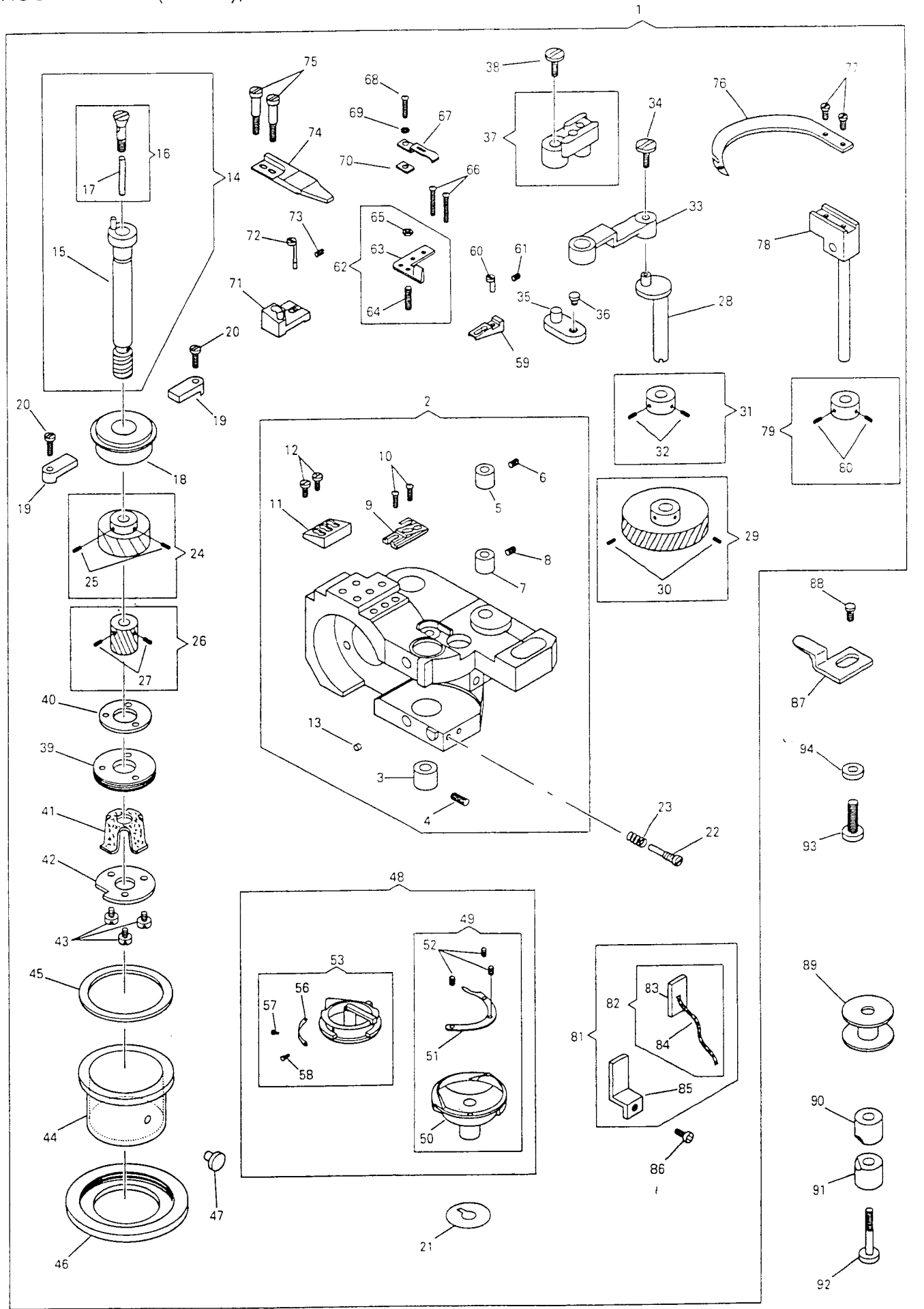
FEED REGULATING DIAL, FEED REVERSE LEVER



NO	PART NO.	141A	141B	141G	541A	541B	541G	QTY	DESCRIPTION
1	552494	*	*	*	*	*	*	1	FEED REGULATOR COMP.
2	374300	*	*	*	*	*	*	2	FEED REGULATOR SCREW
3	552496	*	*	*	*	*	*	1	FEED REGULATOR SHAFT
4	552497	*	*	*	*	*	*	1	FEED REGULATOR SHAFT BUSHING
6	418340	*	*	*	*	*	*	1	FEED REGULATOR SHAFT THRUST WASHER
7	543801-010	*	*	*	*	*	*	1	FEED REGULATOR SHAFT SNAP RING
8	552719	*	*	*	*	*	*	1	FEED REGULATOR SHAFT COLLAR COMP.
9	544207-011	*	*	*	*	*	*	2	FEED REGULATOR SHAFT COLLAR SET SCREW
10	554752	*	*	*	*	*	*	1	FEED REGULATOR SHAFT ARM COMP.
11	368108	*	*	*	*	*	*	1	FEED REGULATOR SHAFT ARM POSITION SCREW
12	544205-001	*	*	*	*	*	*	1	FEED REGULATOR SHAFT ARM SET SCREW
13	544208-005	*	*	*	*	*	*	2	FEED REGULATING STUD SET SCREW
14	554499	*	*	*	*	*	*	1	FEED REGULATOR SHAFT ARM SPRING
15	554500	*	*	*	*	*	*	1	FEED REGULATOR SHAFT ARM SPRING HOOK (UPPER)
16	554498	*	*	*	*	*	*	1	FEED REGULATOR SHAFT ARM SPRING HOOK (LOWER)
17	541166-001	*	*	*	*	*	*	2	FEED REGULATOR SHAFT ARM SPRING HOOK (LOWER) LOCK NUT
18	554501	*	*	*	*	*	*	1	FEED REGULATOR SHAFT ARM SPRING HOOK RETAINER
19	544213-053	*	*	*	*	*	*	2	FEED REGULATOR SHAFT ARM SPRING HOOK RETAINER SCREW
20	552514	*	*	*	*	*	*	1	FEED REGULATING DIAL
21	544947	*	*	*	*	*	*	1	FEED REGULATING DIAL SERRATION PLATE
22	368362	*	*	*	*	*	*	1	FEED REGULATING DIAL CAP SCREW
23	368363	*	*	*	*	*	*	1	FEED REGULATING DIAL CAP SCREW WASHER
24	552515	*	*	*	*	*	*	1	FEED REGULATING STUD
24	551455	-	-	*	-	-	-	1	FEED REGULATING STUD

NO	PART NO.	141A	141B	141G	541A	541B	541G	QTY	DESCRIPTION
25	368114	*	*	*	*	*	*	1	FEED REGULATING DIAL LOCK PIN
26	545820	*	*	*	*	*	*	1	FEED REGULATING DIAL LOCK PIN SPRING
27	552516	*	*	*	*	*	*	1	FEED REVERSE LEVER
28	552518	*	*	*	*	*	*	1	FEED REVERSE LEVER SHAFT ARM COMP.
29	543831-001	*	*	*	*	*	*	1	FEED REVERSE LEVER SHAFT ARM PIN
30	552521	*	*	*	*	*	*	1	FEED REVERSE LEVER SHAFT ARM PIN COVER
31	368129	*	*	*	*	*	*	1	FEED REVERSE LEVER SHAFT BUSHING
32	368130	*	*	*	*	*	*	1	FEED REVERSE LEVER SPRING
33	375653	*	*	*	*	*	*	1	FEED REVERSE LEVER STOPPER PIN
34	375662	*	*	*	*	*	*	1	FEED REVERSE LEVER STOPPER PIN COVER
35	552552	*	*	*	*	*	*	1	FEED REVERSE LEVER SHAFT COLLAR COMP.
36	374062	*	*	*	*	*	*	1	FEED REVERSE LEVER SHAFT COLLAR SET SCREW
37	544208-005	*	*	*	*	*	*	1	FEED REVERSE LINK STUD SET SCREW

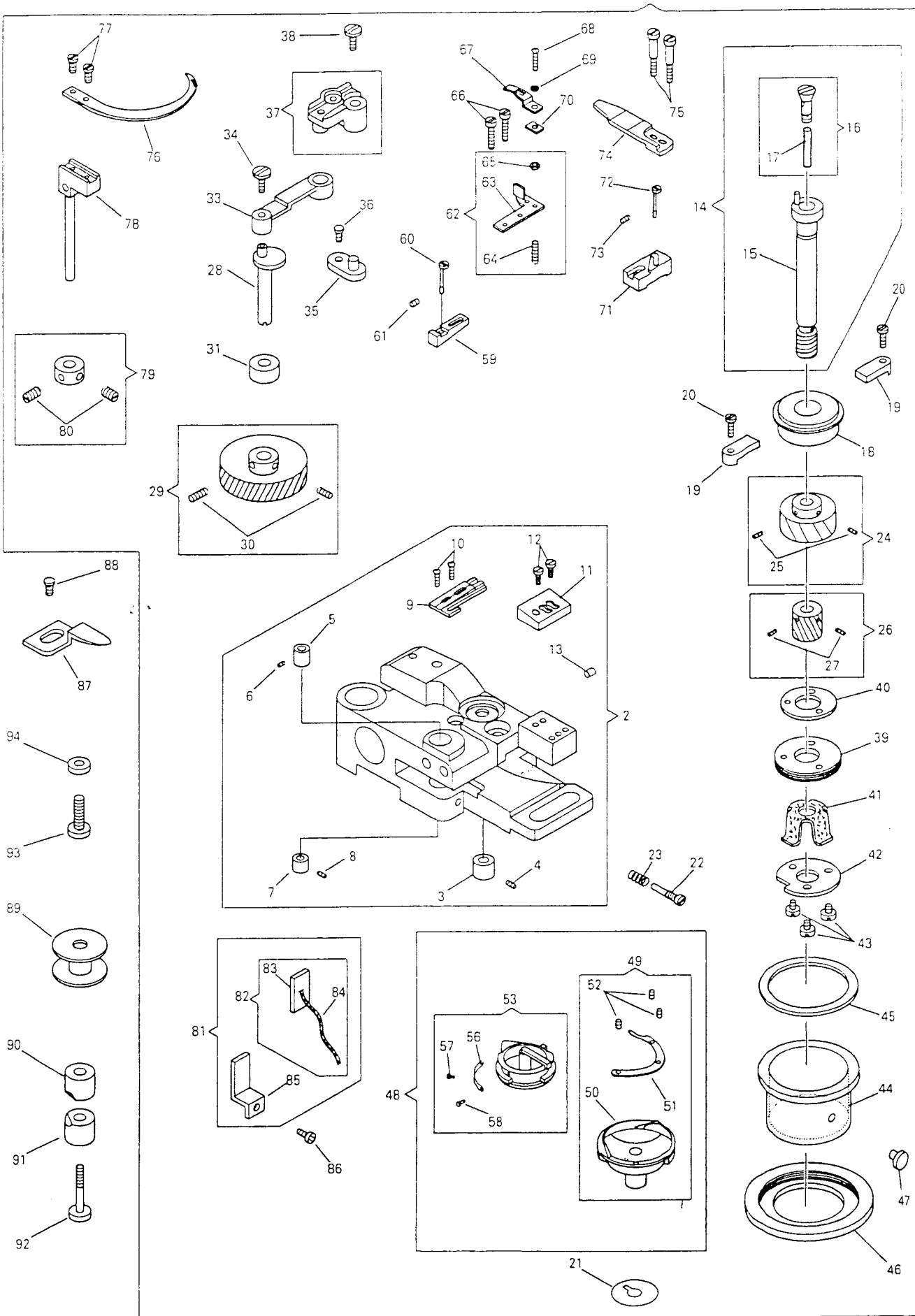
HOOK SADDLE (RIGHT), HOOK



NO.	PART NO.	141A	141B	141G	541A	541B	541C	Y	DESCRIPTION
1	554460	*	*	*	*	*	*	1	HOOK SADDLE (RIGHT) WITH HOOK COMP.
1	554701	*	*	*	*	*	*	1	HOOK SADDLE (RIGHT) WITH HOOK COMP.
1	554706	*	*	*	*	*	*	1	HOOK SADDLE (RIGHT) WITH HOOK COMP.
1	554711	*	*	*	*	*	*	1	HOOK SADDLE (RIGHT) WITH HOOK COMP.
2	554461	*	*	*	*	*	*	1	HOOK SADDLE (RIGHT) COMP.
2	554702	*	*	*	*	*	*	1	HOOK SADDLE (RIGHT) COMP.
2	554707	*	*	*	*	*	*	1	HOOK SADDLE (RIGHT) COMP.
2	554712	*	*	*	*	*	*	1	HOOK SADDLE (RIGHT) COMP.
3	554643-001	*	*	*	*	*	*	1	HOOK SHAFT BUSHING (LOWER)
3	554643-002	*	*	*	*	*	*	1	HOOK SHAFT BUSHING (LOWER)
4	504020	*	*	*	*	*	*	1	HOOK SHAFT BUSHING (LOWER) SET SCREW
5	282784-001	*	*	*	*	*	*	1	BOBBIN CASE OPENER CAM SHAFT BUSHING (UPPER)
6	544207-011	*	*	*	*	*	*	1	BOBBIN CASE OPENER CAM SHAFT BUSHING (UPPER) SET SCREW
7	282784-002	*	*	*	*	*	*	1	BOBBIN CASE OPENER CAM SHAFT BUSHING (LOWER)
8	544207-011	*	*	*	*	*	*	1	BOBBIN CASE OPENER CAM SHAFT BUSHING (LOWER) SET SCREW
9	281039	*	*	*	*	*	*	1	THREAD PULLER SUPPORT
10	544211-052	*	*	*	*	*	*	2	ADJUSTING BLOCK (LOWER) THREAD PULLER SUPPORT
11	281040	*	*	*	*	*	*	1	ADJUSTING BLOCK (LOWER) SET SCREW
12	544211-052	*	*	*	*	*	*	2	STATIONARY KNIFE ADJUSTING BLOCK (LOWER)
13	554641	*	*	*	*	*	*	1	STATIONARY KNIFE ADJUSTING BLOCK (LOWER) SET SCREW
14	554646	*	*	*	*	*	*	1	HOOK SADDLE PLUG
15	554647	*	*	*	*	*	*	1	HOOK SHAFT OIL WICK HOLDER COMP.
16	554648	*	*	*	*	*	*	1	HOOK SHAFT OIL WICK HOLDER COMP.
17	502928	*	*	*	*	*	*	1	HOOK SHAFT OIL FELT
18	267053	*	*	*	*	*	*	1	HOOK BALL BEARING
19	514173	*	*	*	*	*	*	2	HOOK BALL BEARING RETAINER
20	504010-452	*	*	*	*	*	*	2	HOOK BALL BEARING RETAINER SCREW
21	514170	*	*	*	*	*	*	4	HOOK SPACER
22	554839	*	*	*	*	*	*	1	OIL REGULATING SCREW
23	544359	*	*	*	*	*	*	1	OIL REGULATING SCREW SPRING
24	554644	*	*	*	*	*	*	1	HOOK DRIVING PINION COMP.
25	544325	*	*	*	*	*	*	2	HOOK DRIVING PINION SET SCREW
26	554645	*	*	*	*	*	*	1	BOBBIN CASE OPENER CAM SHAFT
27	544207-011	*	*	*	*	*	*	2	ACTUATING GEAR COMP.
28	282788	*	*	*	*	*	*	1	BOBBIN CASE OPENER CAM SHAFT
29	282789	*	*	*	*	*	*	1	BOBBIN CASE OPENER CAM SHAFT
30	544207-011	*	*	*	*	*	*	2	GEAR COMP.
31	282790	*	*	*	*	*	*	1	BOBBIN CASE OPENER SHAFT
32	544207-011	*	*	*	*	*	*	2	BOBBIN CASE OPENER CAM SHAFT
33	282791	*	*	*	*	*	*	1	COLOR SET SCREW
33	282802	*	*	*	*	*	*	1	BOBBIN CASE OPENER CRANK LINK
34	544356	*	*	*	*	*	*	1	BOBBIN CASE OPENER CRANK LINK
35	412283	*	*	*	*	*	*	1	CAP SCREW
36	544383	*	*	*	*	*	*	1	BOBBIN CASE OPENER CRANK HINGE STUD
37	282792	*	*	*	*	*	*	1	BOBBIN CASE OPENER CRANK HINGE STUD SCREW
38	544356	*	*	*	*	*	*	1	BOBBIN CASE OPENER CRANK COMP.
39	554659	*	*	*	*	*	*	1	BOBBIN CASE OPENER CRANK CAP SCREW
40	554668	*	*	*	*	*	*	1	HOOK SADDLE OIL RESERVOIR BRACKET
41	281046	*	*	*	*	*	*	1	HOOK SADDLE OIL RESERVOIR BRACKET GASKET
42	554608	*	*	*	*	*	*	1	HOOK OIL FELT
43	544211-003	*	*	*	*	*	*	3	HOOK OIL FELT RETAINER
44	554658	*	*	*	*	*	*	1	HOOK OIL FELT RETAINER SCREW
45	554661	*	*	*	*	*	*	1	HOOK SADDLE OIL RESERVOIR GASKET
46	554660	*	*	*	*	*	*	1	HOOK SADDLE OIL RESERVOIR RING

NO.	PART NO.	141A	141B	141G	541A	541B	541C	Y	DESCRIPTION
47	367314	*	*	*	*	*	*	1	HOOK SADDLE OIL RESERVOIR PLUG
48	554824	*	*	*	*	*	*	1	HOOK AND BOBBIN CASE COMP.
48	554825	*	*	*	*	*	*	1	HOOK AND BOBBIN CASE COMP.
49	554606	*	*	*	*	*	*	1	HOOK COMP.
49	554611	*	*	*	*	*	*	1	HOOK COMP.
50	554607	*	*	*	*	*	*	1	HOOK (BODY)
50	554612	*	*	*	*	*	*	1	HOOK (BODY)
51	281135	*	*	*	*	*	*	1	HOOK GIB
51	412311	*	*	*	*	*	*	1	HOOK GIB
52	201253	*	*	*	*	*	*	2	HOOK GIB SCREW
52	500520	*	*	*	*	*	*	3	HOOK GIB SCREW
53	281136	*	*	*	*	*	*	1	BOBBIN CASE COMP.
53	281146	*	*	*	*	*	*	1	BOBBIN CASE COMP.
56	236083	*	*	*	*	*	*	1	BOBBIN CASE TENSION SPRING
56	510011	*	*	*	*	*	*	1	BOBBIN CASE TENSION SPRING
57	201016	*	*	*	*	*	*	1	BOBBIN CASE TENSION SPRING REGULATING SCREW
57	500519	*	*	*	*	*	*	1	BOBBIN CASE TENSION SPRING REGULATING SCREW
58	200594	*	*	*	*	*	*	1	BOBBIN CASE TENSION SPRING REGULATING SCREW
58	500518	*	*	*	*	*	*	1	BOBBIN CASE TENSION SPRING SCREW
59	281056	*	*	*	*	*	*	1	THREAD PULLER SUPPORT
60	543376	*	*	*	*	*	*	1	ADJUSTING BLOCK (UPPER)
61	544207-011	*	*	*	*	*	*	1	THREAD PULLER SUPPORT
62	281054	*	*	*	*	*	*	1	ADJUSTING BLOCK (UPPER)
63	281055	*	*	*	*	*	*	1	ECCENTRIC PIN
64	374475	*	*	*	*	*	*	1	THREAD PULLER SUPPORT
65	541159	*	*	*	*	*	*	1	TRAPPER ADJUSTING SCREW
66	374478	*	*	*	*	*	*	2	TRAPPER ADJUSTING SCREW NUT
67	281057	*	*	*	*	*	*	1	THREAD PULLER SUPPORT SCREW
68	544413	*	*	*	*	*	*	1	TRAPPER
69	408386	*	*	*	*	*	*	1	TRAPPER SET SCREW
70	548228	*	*	*	*	*	*	1	TRAPPER SET SCREW WASHER
71	281059	*	*	*	*	*	*	1	TRAPPER ADJUSTING WASHER
72	281060	*	*	*	*	*	*	1	(t=0.13M/M) STATIONARY KNIFE ADJUSTING BLOCK (UPPER)
73	544207-011	*	*	*	*	*	*	1	STATIONARY KNIFE ADJUSTING BLOCK (UPPER) ECCENTRIC PIN
74	281058	*	*	*	*	*	*	1	STATIONARY KNIFE ADJUSTING BLOCK (UPPER) ECCENTRIC PIN SET SCREW
75	374476	*	*	*	*	*	*	2	STATIONARY KNIFE
76	281050-001	*	*	*	*	*	*	1	STATIONARY KNIFE SET SCREW
77	544088	*	*	*	*	*	*	2	THREAD PULLER
78	281051	*	*	*	*	*	*	1	THREAD PULLER SCREW
79	281064	*	*	*	*	*	*	1	THREAD PULLER RETAINER BRACKET COMP.
80	544207-011	*	*	*	*	*	*	2	THREAD PULLER RETAINER BRACKET
81	552891	*	*	*	*	*	*	1	SHAFT COLLAR SET SCREW
82	552892	*	*	*	*	*	*	1	HOOK DRIVING PINION OIL FELT, OIL PACKING (WICK) COMP.
83	552894	*	*	*	*	*	*	1	HOOK DRIVING PINION OIL FELT
84	552895	*	*	*	*	*	*	1	HOOK DRIVING PINION OIL PACKING (WICK)
85	552893	*	*	*	*	*	*	1	HOOK DRIVING PINION OIL FELT BRACKET
86	544211-002	*	*	*	*	*	*	1	HOOK DRIVING PINION OIL FELT BRACKET SCREW
87	282793	*	*	*	*	*	*	1	BOBBIN CASE OPENER
88	549027	*	*	*	*	*	*	1	BOBBIN CASE OPENER SCREW
89	282762	*	*	*	*	*	*	1	BOBBIN
89	282763	*	*	*	*	*	*	1	BOBBIN
89	282764	*	*	*	*	*	*	1	BOBBIN
90	412115	*	*	*	*	*	*	1	PINCH SLEEVE (UPPER)
91	267139	*	*	*	*	*	*	1	PINCH SLEEVE (LOWER)
92	544364	*	*	*	*	*	*	1	PINCH SLEEVE SCREW
93	544334	*	*	*	*	*	*	1	HOOK SADDLE (RIGHT) SCREW
94	225585	*	*	*	*	*	*	1	HOOK SADDLE (RIGHT) SCREW WASHER

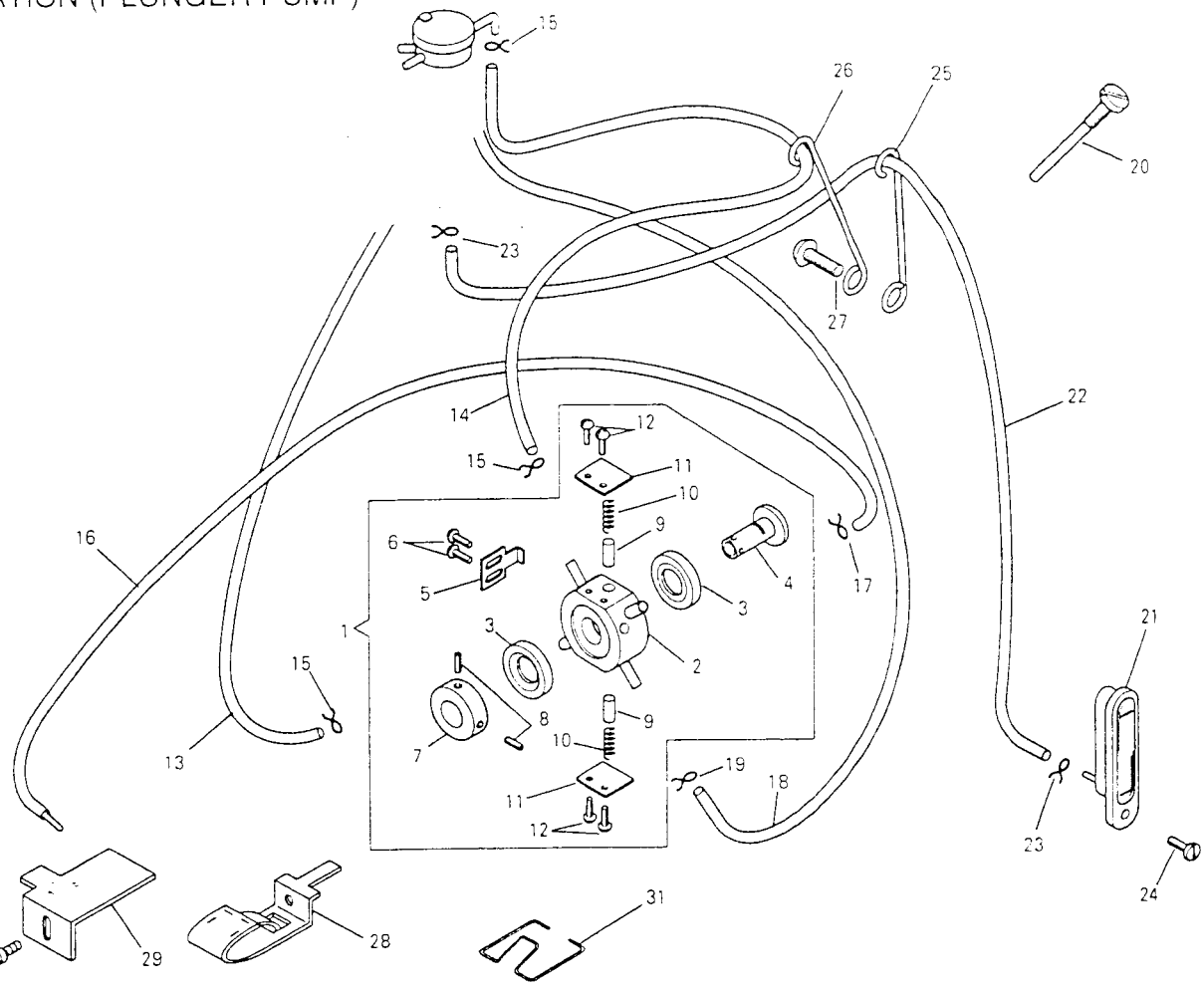
HOOK SADDLE (LEFT), HOOK



NO.	PART NO.	141A	141B	141G	541A	541B	541G	Y	DESCRIPTION
1	554462	*	*	*	*	*	*	1	HOOK SADDLE (LEFT) WITH HOOK COMP.
1	554703	*	*	*	*	*	*	1	HOOK SADDLE (LEFT) WITH HOOK COMP.
1	554708	*	*	*	*	*	*	1	HOOK SADDLE (LEFT) WITH HOOK COMP.
1	554714	*	*	*	*	*	*	1	HOOK SADDLE (LEFT) WITH HOOK COMP.
2	554463	*	*	*	*	*	*	1	HOOK SADDLE (LEFT) COMP.
2	554704	*	*	*	*	*	*	1	HOOK SADDLE (LEFT) COMP.
2	554709	*	*	*	*	*	*	1	HOOK SADDLE (LEFT) COMP.
2	554715	*	*	*	*	*	*	1	HOOK SADDLE (LEFT) COMP.
3	554643-001	*	*	*	*	*	*	1	HOOK SHAFT BUSHING (LOWER)
3	554643-002	*	*	*	*	*	*	1	HOOK SHAFT BUSHING (LOWER)
4	504020	*	*	*	*	*	*	1	HOOK SHAFT BUSHING (LOWER) SET SCREW
5	282784-001	*	*	*	*	*	*	1	BOBBIN CASE OPENER CAM SHAFT BUSHING (UPPER)
6	544207-011	*	*	*	*	*	*	1	BOBBIN CASE OPENER CAM SHAFT BUSHING (UPPER) SET SCREW
7	282797	*	*	*	*	*	*	1	BOBBIN CASE OPENER CAM SHAFT BUSHING (LOWER)
8	544207-011	*	*	*	*	*	*	1	BOBBIN CASE OPENER CAM SHAFT BUSHING (LOWER) SET SCREW
9	281039	*	*	*	*	*	*	1	THREAD PULLER SUPPORT ADJUSTING
10	544211-052	*	*	*	*	*	*	2	BLOCK (LOWER) THREAD PULLER SUPPORT ADJUSTING BLOCK (LOWER) SET SCREW
11	281040	*	*	*	*	*	*	1	STATIONARY KNIFE ADJUSTING BLOCK (LOWER)
12	544211-052	*	*	*	*	*	*	2	STATIONARY KNIFE ADJUSTING BLOCK (LOWER) SET SCREW
13	554641	*	*	*	*	*	*	1	HOOK SADDLE PLUG
14	554646	*	*	*	*	*	*	1	HOOK SHAFT HOOK SHAFT OIL WICK HOLDER COMP.
15	554647	*	*	*	*	*	*	1	HOOK SHAFT COMP.
16	554648	*	*	*	*	*	*	1	HOOK SHAFT OIL WICK HOLDER COMP.
17	502928	*	*	*	*	*	*	1	HOOK SHAFT OIL FELT
18	267053	*	*	*	*	*	*	1	HOOK BALL BEARING
19	514173	*	*	*	*	*	*	2	HOOK BALL BEARING RETAINER
20	504010-452	*	*	*	*	*	*	2	HOOK BALL BEARING RETAINER SCREW
21	514170	*	*	*	*	*	*	4	HOOK SPACER
22	554839	*	*	*	*	*	*	1	OIL REGULATING SCREW
23	544958	*	*	*	*	*	*	1	OIL REGULATING SCREW SPRING
24	554644	*	*	*	*	*	*	1	HOOK DRIVING PINION COMP.
25	544325	*	*	*	*	*	*	2	HOOK DRIVING PINION SET SCREW
26	554645	*	*	*	*	*	*	1	BOBBIN CASE OPENER CAM SHAFT ACTUATING GEAR COMP.
27	544207-011	*	*	*	*	*	*	2	BOBBIN CASE OPENER CAM SHAFT ACTUATING GEAR SET SCREW
28	282788	*	*	*	*	*	*	1	BOBBIN CASE OPENER CAM SHAFT
29	282789	*	*	*	*	*	*	1	BOBBIN CASE OPENER CAM SHAFT GEAR COMP.
30	544207-011	*	*	*	*	*	*	2	BOBBIN CASE OPENER SHAFT GEAR SET SCREW
31	282798	*	*	*	*	*	*	1	BOBBIN CASE OPENER SHAFT SPACER
33	282791	*	*	*	*	*	*	1	BOBBIN CASE OPENER CRANK LINK
33	282802	*	*	*	*	*	*	1	BOBBIN CASE OPENER CRANK LINK
34	544356	*	*	*	*	*	*	1	BOBBIN CASE OPENER CRANK LINK CAP SCREW
35	412283	*	*	*	*	*	*	1	BOBBIN CASE OPENER CRANK HINGE STUD
36	544383	*	*	*	*	*	*	1	BOBBIN CASE OPENER CRANK HINGE STUD SCREW
37	282792	*	*	*	*	*	*	1	BOBBIN CASE OPENER CRANK COMP.
38	544356	*	*	*	*	*	*	1	BOBBIN CASE OPENER CRANK CAP SCREW
39	554659	*	*	*	*	*	*	1	HOOK SADDLE OIL RESERVOIR BRACKET
40	554668	*	*	*	*	*	*	1	HOOK SADDLE OIL RESERVOIR BRACKET GASKET
41	281046	*	*	*	*	*	*	1	HOOK OIL FELT
42	554668	*	*	*	*	*	*	1	HOOK OIL FELT RETAINER
43	544211-003	*	*	*	*	*	*	3	HOOK OIL FELT RETAINER SCREW
44	554658	*	*	*	*	*	*	1	HOOK SADDLE OIL RESERVOIR
45	554661	*	*	*	*	*	*	1	HOOK SADDLE OIL RESERVOIR GASKET
46	554660	*	*	*	*	*	*	1	HOOK SADDLE OIL RESERVOIR RING
47	367314	*	*	*	*	*	*	1	HOOK SADDLE OIL RESERVOIR PLUG
48	554824	*	*	*	*	*	*	1	HOOK AND BOBBIN CASE COMP.
48	554825	*	*	*	*	*	*	1	HOOK AND BOBBIN CASE COMP.

NO.	PART NO.	141A	141B	141G	541A	541B	541G	Y	DESCRIPTION
49	554606	*	*	*	*	*	*	1	HOOK COMP
49	554611	*	*	*	*	*	*	1	HOOK COMP
50	554607	*	*	*	*	*	*	1	HOOK (BODY)
50	554612	*	*	*	*	*	*	1	HOOK (BODY)
51	281135	*	*	*	*	*	*	1	HOOK GIB
51	412311	*	*	*	*	*	*	1	HOOK GIB
52	201253	*	*	*	*	*	*	2	HOOK GIB SCREW
52	500520	*	*	*	*	*	*	3	HOOK GIB SCREW
53	281136	*	*	*	*	*	*	1	BOBBIN CASE COMP.
53	281146	*	*	*	*	*	*	1	BOBBIN CASE COMP.
56	236083	*	*	*	*	*	*	1	BOBBIN CASE TENSION SPRING
56	510011	*	*	*	*	*	*	1	BOBBIN CASE TENSION SPRING
57	201016	*	*	*	*	*	*	1	BOBBIN CASE TENSION SPRING REGULATING SCREW
57	500519	*	*	*	*	*	*	1	BOBBIN CASE TENSION SPRING REGULATING SCREW
58	200594	*	*	*	*	*	*	1	BOBBIN CASE TENSION SPRING SCREW
58	500518	*	*	*	*	*	*	1	BOBBIN CASE TENSION SPRING SCREW
59	281056	*	*	*	*	*	*	1	THREAD PULLER SUPPORT ADJUSTING BLOCK (UPPER)
60	543376	*	*	*	*	*	*	1	THREAD PULLER SUPPORT ADJUSTING BLOCK (UPPER) ECCENTRIC PIN
61	544207-011	*	*	*	*	*	*	1	THREAD PULLER SUPPORT ADJUSTING BLOCK (UPPER) ECCENTRIC PIN SET SCREW
62	281054	*	*	*	*	*	*	1	THREAD PULLER SUPPORT COMP.
63	281055	*	*	*	*	*	*	1	THREAD PULLER SUPPORT
64	374475	*	*	*	*	*	*	1	TRAPPER ADJUSTING SCREW
65	541159	*	*	*	*	*	*	1	TRAPPER ADJUSTING SCREW NUT
66	374478	*	*	*	*	*	*	2	THREAD PULLER SUPPORT SCREW
67	281057	*	*	*	*	*	*	1	TRAPPER
68	544413	*	*	*	*	*	*	1	TRAPPER SET SCREW
69	408386	*	*	*	*	*	*	1	TRAPPER SET SCREW WASHER
70	548228	*	*	*	*	*	*	1	TRAPPER ADJUSTING WASHER (t=0.13M/M)
71	281059	*	*	*	*	*	*	1	STATIONARY KNIFE ADJUSTING BLOCK (UPPER)
72	281060	*	*	*	*	*	*	1	STATIONARY KNIFE ADJUSTING BLOCK (UPPER) ECCENTRIC PIN
73	544207-011	*	*	*	*	*	*	1	STATIONARY KNIFE ADJUSTING BLOCK (UPPER) ECCENTRIC PIN SET SCREW
74	281058	*	*	*	*	*	*	1	STATIONARY KNIFE
75	374476	*	*	*	*	*	*	2	STATIONARY KNIFE SET SCREW
76	281050-001	*	*	*	*	*	*	1	THREAD PULLER
77	544088	*	*	*	*	*	*	2	THREAD PULLER SCREW
78	281051	*	*	*	*	*	*	2	THREAD PULLER RETAINER BRACKET COMP.
79	281064	*	*	*	*	*	*	1	THREAD PULLER RETAINER BRACKET SHAFT COLLAR COMP.
80	544207-011	*	*	*	*	*	*	2	THREAD PULLER RETAINER BRACKET SHAFT COLLAR SET SCREW
81	552891	*	*	*	*	*	*	1	HOOK DRIVING PINION OIL FELT, OIL FELT BRACKET COMP.
82	552892	*	*	*	*	*	*	1	HOOK DRIVING PINION OIL FELT, OIL PACKING (WICK) COMP.
83	552894	*	*	*	*	*	*	1	HOOK DRIVING PINION OIL FELT
84	552895	*	*	*	*	*	*	1	HOOK DRIVING PINION OIL PACKING (WICK)
85	552893	*	*	*	*	*	*	1	HOOK DRIVING PINION OIL FELT BRACKET
86	544211-002	*	*	*	*	*	*	1	HOOK DRIVING PINION OIL FELT BRACKET SCREW
87	282793	*	*	*	*	*	*	1	BOBBIN CASE OPENER
88	549027	*	*	*	*	*	*	1	BOBBIN CASE OPENER SCREW
89	282762	*	*	*	*	*	*	1	BOBBIN
89	282763	*	*	*	*	*	*	1	BOBBIN
89	282764	*	*	*	*	*	*	1	BOBBIN
90	412115	*	*	*	*	*	*	1	PINCH SLEEVE (UPPER)
91	267139	*	*	*	*	*	*	1	PINCH SLEEVE (LOWER)
92	544364	*	*	*	*	*	*	1	PINCH SLEEVE SCREW
93	414742	*	*	*	*	*	*	1	HOOK SADDLE (LEFT) SCREW
94	225585	*	*	*	*	*	*	1	HOOK SADDLE (LEFT) SCREW WASHER

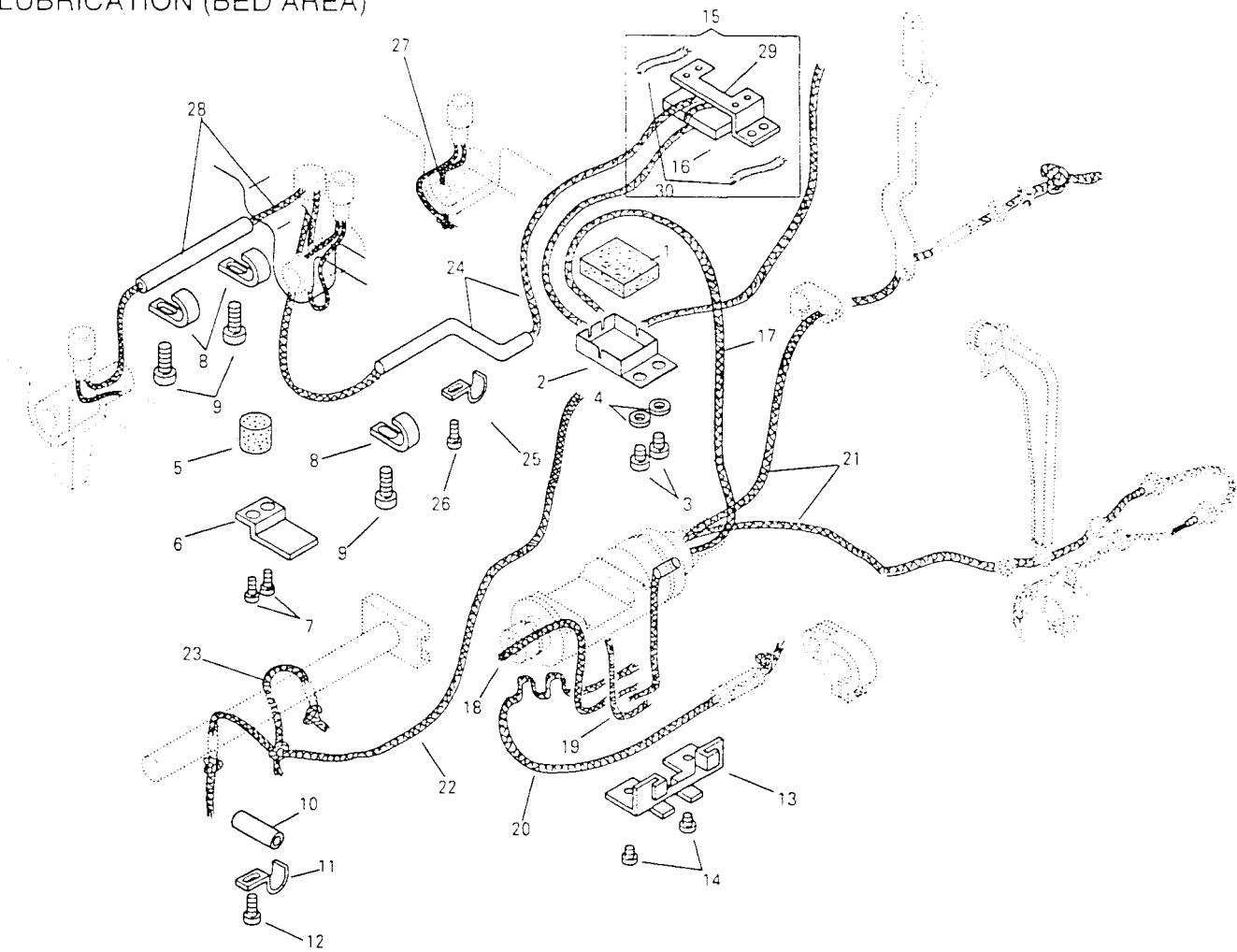
LUBRICATION (PLUNGER PUMP)



NO.	PART NO.	141A	141B	141G	541A	541B	541G	Y	T-O	DESCRIPTION
1	554346	*	*	*	*	*	*	1		PLUNGER PUMP COMP.
2	554347	*	*	*	*	*	*	1		PLUNGER PUMP (BODY) COMP.
3	554349	*	*	*	*	*	*	2		OIL SEAL
4	554351	*	*	*	*	*	*	1		PLUNGER PUMP ROTOR
5	554353	*	*	*	*	*	*	1		PLUNGER PUMP ROTOR RETAINER
6	544211-002	*	*	*	*	*	*	2		PLUNGER PUMP ROTOR RETAINER SCREW
7	554352	*	*	*	*	*	*	1		PLUNGER PUMP ROTOR COLLAR
8	549293	*	*	*	*	*	*	2		PLUNGER PUMP ROTOR COLLAR SET SCREW
9	540556	*	*	*	*	*	*	2		PLUNGER PUMP PISTON
10	410710	*	*	*	*	*	*	2		PLUNGER PUMP PISTON SPRING
11	554354	*	*	*	*	*	*	2		PLUNGER PUMP PISTON SPRING RETAINER
12	544211-002	*	*	*	*	*	*	4		PLUNGER PUMP PISTON SPRING RETAINER SCREW
13	552826	*	*	*	*	*	*	1		OIL TUBE (SUCTION)
14	552827	*	*	*	*	*	*	1		OIL TUBE (DISCHARGE)
15	552809	*	*	*	*	*	*	3		OIL TUBE CLIP
16	552833	*	*	*	*	*	*	1		OIL REMOVING TUBE (SUCTION) COMP.
17	552810	*	*	*	*	*	*	1		OIL REMOVING TUBE CLIP
18	554464	*	*	*	*	*	*	1		OIL REMOVING TUBE (DISCHARGE)
19	552810	*	*	*	*	*	*	1		OIL REMOVING TUBE (DISCHARGE) CLIP
20	374543	*	*	*	*	*	*	1		PLUNGER PUMP SUPPORT SCREW
21	552546-401	*	*	*	*	*	*	1		OIL GAUGE COMP.
22	552828	*	*	*	*	*	*	1		OIL TUBE (FOR OIL GAUGE)
23	552809	*	*	*	*	*	*	2		OIL TUBE (FOR OIL GAUGE) CLIP
24	545671	*	*	*	*	*	*	1		OIL GAUGE SCREW
25	554537	*	*	*	*	*	*	1		OIL TUBE RETAINER (FOR OIL GAUGE)
26	552829	*	*	*	*	*	*	1		OIL TUBE RETAINER (FOR DISCHARGE)
27	544217-052	*	*	*	*	*	*	1		OIL TUBE RETAINER SCREW
28	554306	*	*	*	*	*	*	1		OIL REMOVING LINT SCREEN
29	554433	*	*	*	*	*	*	1		OIL REMOVING LINT SCREEN BRACKET

NO.	PART NO.	141A	141B	141G	541A	541B	541G	Y	T-O	DESCRIPTION
30	544269	*	*	*	*	*	*	1		OIL REMOVING LINT SCREEN BRACKET SCREW
31	554860	*	*	*	*	*	*	1		OIL REMOVING LINT SCREEN RETAINER

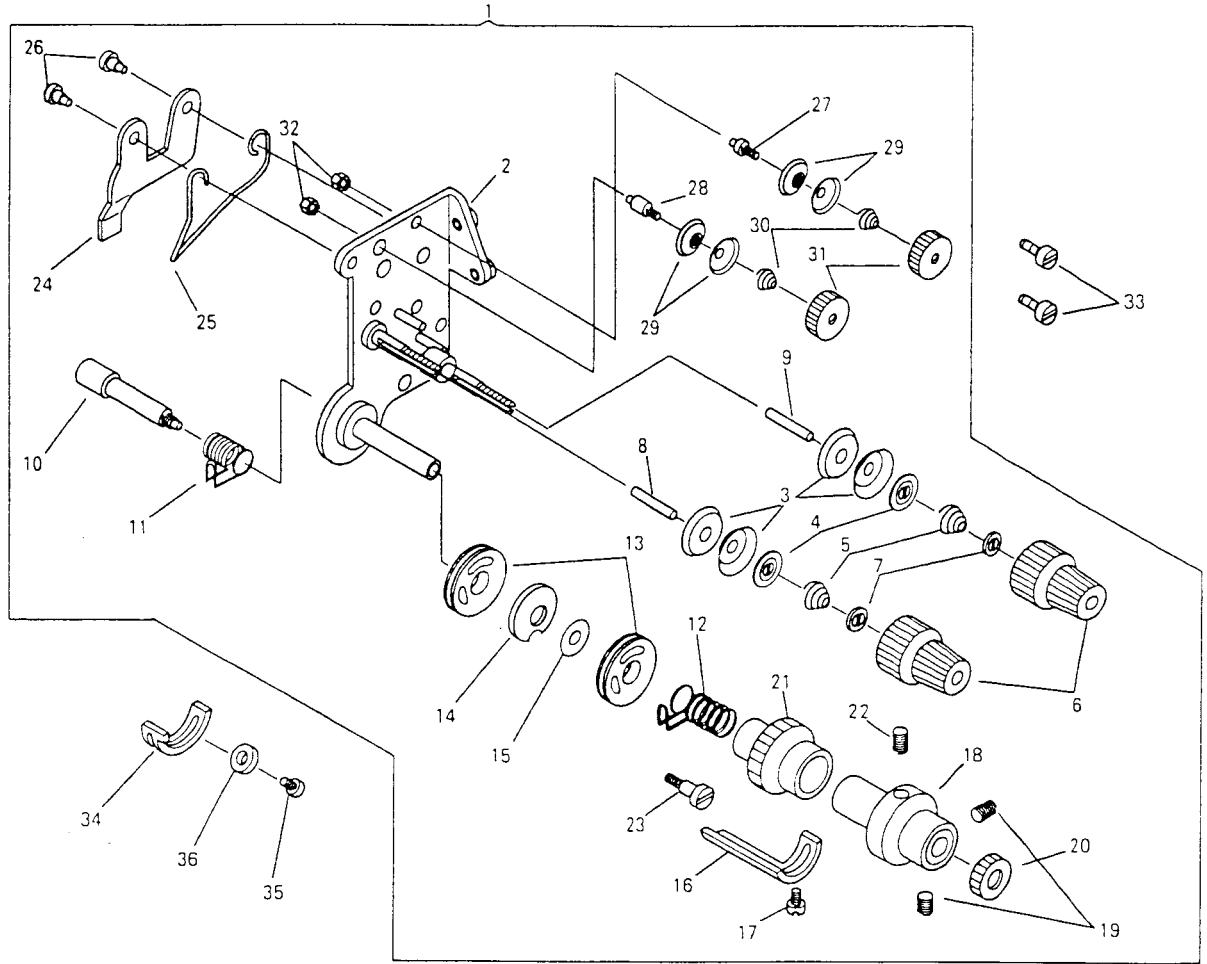
LUBRICATION (BED AREA)



QTY	PART NO.	141A	141B	141G	541A	541B	541G	QTY	DESCRIPTION
1	552551	*	*	*	*	*	*	1	BED OIL FELT
1	552552	*	*	*	*	*	*	1	BED OIL FELT BARKET
2	544212-052	*	*	*	*	*	*	2	BED OIL FELT BRACKET SCREW
2	543803-003	*	*	*	*	*	*	2	BED OIL FELT BRACKET SCREW WASHER
1	552553	*	*	*	*	*	*	1	HOO K DRIVING SHAFT OIL FELT
1	552554	*	*	*	*	*	*	1	HOO K DRIVING SHAFT OIL FELT B RACKET
2	544212-051	*	*	*	*	*	*	2	HOO K DRIVING SHAFT OIL FELT B RACKET SCREW
3	552555	*	*	*	*	*	*	3	HOO K DRIVING SHAFT OIL WICK TUBE R ETAINER
3	544212-051	*	*	*	*	*	*	3	HOO K DRIVING SHAFT OIL WICK TUBE R ETAINER SCREW
1	552556	*	*	*	*	*	*	1	F EED R OCK SHAFT OIL WICK TUBE
1	418604	*	*	*	*	*	*	1	F EED R OCK SHAFT OIL WICK TUBE R ETAINER
1	544212-051	*	*	*	*	*	*	1	F EED R OCK SHAFT OIL WICK TUBE R ETAINER SCREW
1	552557	*	*	*	*	*	*	1	F EED R OCK SHAFT DRIVING FRAME OIL WICK B RACKET
2	544212-001	*	*	*	*	*	*	2	F EED R OCK SHAFT DRIVING FRAME OIL WICK B RACKET SCREW
1	554440	*	*	*	*	*	*	1	F EED DRIVING ECCENTRIC C O N N E C T I O N F E L T C O M P.
1	554441	*	*	*	*	*	*	1	F EED DRIVING ECCENTRIC C O N N E C T I O N F E L T
1	554465-006	*	*	*	*	*	*	1	F EED R OCK SHAFT DRIVING FRAME OIL WICK (LONG)
1	554465-011	*	*	*	*	*	*	1	F EED R OCK SHAFT DRIVING FRAME OIL WICK (SHORT)
1	554524	*	*	*	*	*	*	1	F EED R OCK SHAFT DRIVING L I N K O I L W I C K
1	554465-007	*	*	*	*	*	*	1	F EED R OCK SHAFT C R A N K P I N O I L W I C K
1	554465-005	*	*	*	*	*	*	1	N E E D L E B A R R O C K F R A M E R O C K S H A F T C R A N K O I L W I C K

QTY	PART NO.	141A	141B	141G	541A	541B	541G	QTY	DESCRIPTION
1	554465-013	*	*	*	*	*	*	1	F EED R OCK SHAFT OIL WICK
1	554465-012	*	*	*	*	*	*	1	F EED R OCK SHAFT OIL WICK (RIGHT)
1	554467	*	*	*	*	*	*	1	H O O K D R I V I N G S H A F T O I L T U B E A N D W I C K
1	418604	*	*	*	*	*	*	1	H O O K D R I V I N G S H A F T O I L T U B E R E T A I N E R (S M A L L)
1	544212-051	*	*	*	*	*	*	1	H O O K D R I V I N G S H A F T O I L T U B E R E T A I N E R (S M A L L) S C R E W
1	554465-010	*	*	*	*	*	*	1	H O O K D R I V I N G S H A F T B U S H I N G (C E N T E R) O I L W I C K
1	554468	*	*	*	*	*	*	1	H O O K D R I V I N G S H A F T B U S H I N G (F R O N T) O I L T U B E C O M P.
1	554442	*	*	*	*	*	*	1	F EED DRIVING ECCENTRIC C O N N E C T I O N F E L T B RACKET
1	554781	*	*	*	*	*	*	1	F EED DRIVING ECCENTRIC C O N N E C T I O N F E L T C O R D.

TENSION

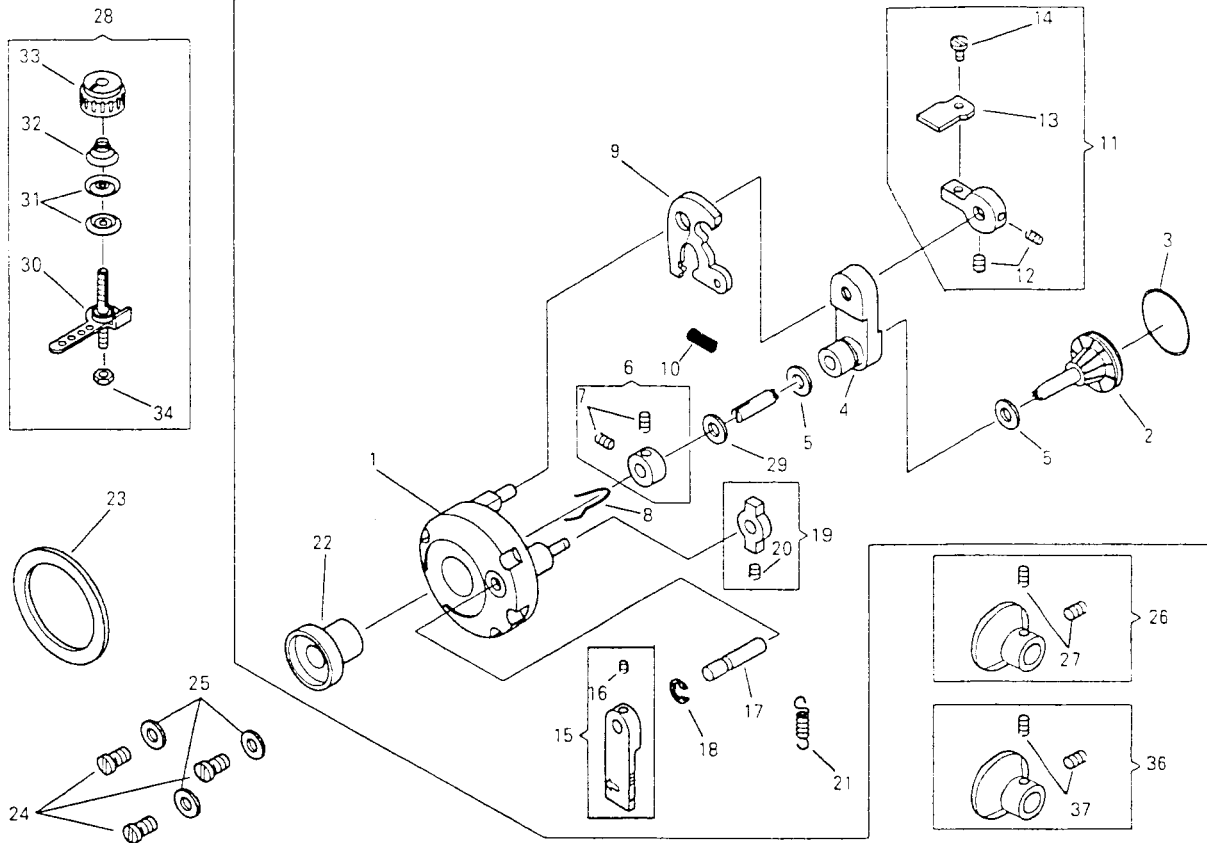


NO	PART NO.	141A	141B	141G	541A	541B	541G	Y	Q	DESCRIPTION
1	552558	*	*	*	*	*	*	*	1	TENSION BRACKET COMP.
2	552559	*	*	*	*	*	*	*	1	TENSION BRACKET BODY COMP.
3	2102	*	*	*	*	*	*	*	4	TENSION DISC
4	414273	*	*	*	*	*	*	*	2	TENSION RELEASE WASHER
5	552836	*	*	*	*	*	*	*	2	TENSION SPRING
6	552838	*	*	*	*	*	*	*	2	TENSION REGULATING THUMB NUT
7	411154	*	*	*	*	*	*	*	2	TENSION REGULATING THUMB NUT WASHER
8	552563-001	*	*	*	*	*	*	*	1	TENSION RELEASE PLUNGER (SHORT)
9	552563-003	*	*	*	*	*	*	*	1	TENSION RELEASE PLUNGER (LONG)
10	552843	*	*	*	*	*	*	*	1	THREAD CONTROLLER STUD
11	552565	*	*	*	*	*	*	*	1	THREAD CONTROLLER SPRING (BACK)
12	552942	*	*	*	*	*	*	*	1	THREAD CONTROLLER SPRING (FRONT)
13	412202	*	*	*	*	*	*	*	2	THREAD CONTROLLER DISC
14	552900	*	*	*	*	*	*	*	1	THREAD CONTROLLER DISC WASHER (LARGE)
15	367380	*	*	*	*	*	*	*	1	THREAD CONTROLLER DISC WASHER (SMALL)
16	552839	*	*	*	*	*	*	*	1	THREAD CONTROLLER SPRING (FRONT) STOP
17	544211-001	*	*	*	*	*	*	*	1	THREAD CONTROLLER SPRING (FRONT) STOP SCREW
18	552840	*	*	*	*	*	*	*	1	THREAD CONTROLLER SPRING HOLDER SLEEVE
19	544202-002	*	*	*	*	*	*	*	2	THREAD CONTROLLER SPRING HOLDER SLEEVE SCREW
20	552841	*	*	*	*	*	*	*	1	THREAD CONTROLLER STUD NUT
21	552845	*	*	*	*	*	*	*	1	THREAD CONTROLLER SPRING HOLDER
22	544203-001	*	*	*	*	*	*	*	1	THREAD CONTROLLER SPRING HOLDER SCREW
23	414770	*	*	*	*	*	*	*	1	THREAD CONTROLLER DISC SCREW
24	417124	*	*	*	*	*	*	*	1	TENSION RELEASE PLATE
25	412200	*	*	*	*	*	*	*	1	TENSION RELEASE PLATE SPRING
26	544343	*	*	*	*	*	*	*	2	TENSION RELEASE PLATE SCREW

NO	PART NO.	141A	141B	141G	541A	541B	541G	Y	Q	DESCRIPTION
27	552567	*	*	*	*	*	*	*	1	PRE-TENSION STUD (SHORT)
28	552568	*	*	*	*	*	*	*	1	PRE-TENSION STUD (LONG)
29	417122	*	*	*	*	*	*	*	4	PRE-TENSION DISC
30	417123	*	*	*	*	*	*	*	2	PRE-TENSION SPRING
31	414784	*	*	*	*	*	*	*	2	PRE-TENSION THUMB NUT
32	414783	*	*	*	*	*	*	*	2	PRE-TENSION STUD LOCK NUT
33	549168	*	*	*	*	*	*	*	2	TENSION BRACKET SCREW
34	412419	*	*	*	*	*	*	*	1	THREAD CONTROLLER SPRING (BACK) STOP
35	545092	*	*	*	*	*	*	*	1	THREAD CONTROLLER SPRING (BACK) STOP SCREW
36	543805-003	*	*	*	*	*	*	*	1	THREAD CONTROLLER SPRING (BACK) STOP SCREW WASHER

BOBBIN WINDER

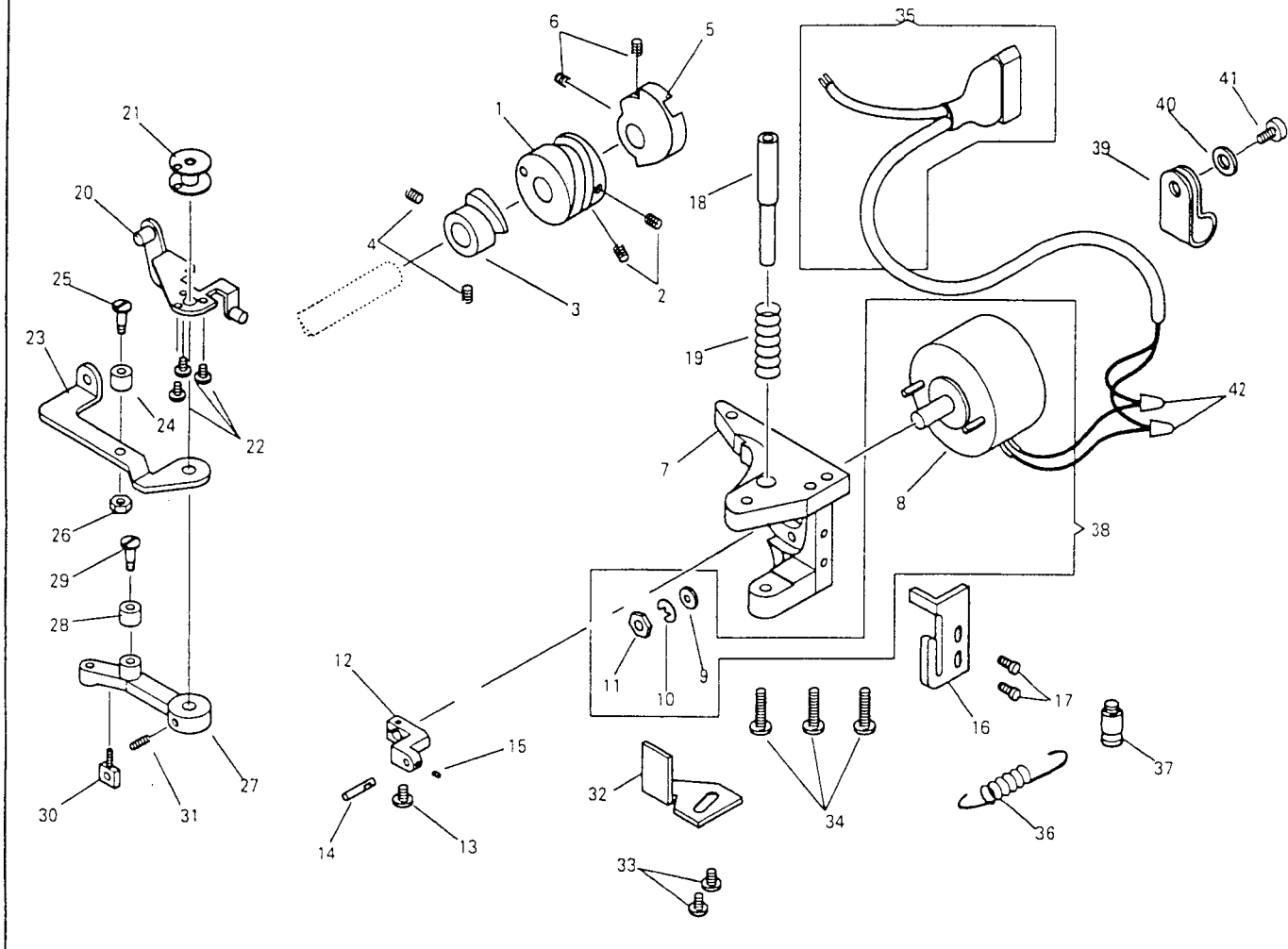
35



QTY	PART NO.	QTY					DESCRIPTION
		141A	141B	141G	541A	541B	
1	552570	*	*	*	*	*	2 BOBBIN WINDER (BODY)
2	552573	*	*	*	*	*	2 BOBBIN WINDER PULLEY
3	543871-020	*	*	*	*	*	2 BOBBIN WINDER PULLEY RING
4	552575	*	*	*	*	*	2 BOBBIN WINDER BRACKET
5	546844	*	*	*	*	*	4 BOBBIN WINDER SPINDLE THRUST WASHER
6	282758	*	*	*	*	*	2 BOBBIN WINDER SPINDLE STOP COLLAR COMPLETE
7	544206-011	*	*	*	*	*	4 BOBBIN WINDER SPINDLE STOP COLLAR SET SCREW
8	282995	*	*	*	*	*	2 BOBBIN WINDER SPINDLE SPRING
9	282757	*	*	*	*	*	2 BOBBIN WINDER BRACKET ACTUATING PLATE
10	282994	*	*	*	*	*	2 BOBBIN WINDER BRACKET SPRING
11	552576	*	*	*	*	*	2 BOBBIN WINDER STOPPER BRACKET COMP.
12	544207-013	*	*	*	*	*	4 BOBBIN WINDER STOPPER BRACKET SCREW
13	552577	*	*	*	*	*	2 BOBBIN WINDER STOPPER
14	374398-002	*	*	*	*	*	2 BOBBIN WINDER STOPPER SCREW
15	552578	*	*	*	*	*	2 BOBBIN WINDER STOP LATCH COMPLETE
16	544208-005	*	*	*	*	*	2 BOBBIN WINDER STOP LATCH SET SCREW
17	368025	*	*	*	*	*	2 BOBBIN WINDER STOP LATCH STUD
18	543860-005	*	*	*	*	*	2 BOBBIN WINDER STOP LATCH STUD SNAP RING
19	368026	*	*	*	*	*	2 BOBBIN WINDER REGULATOR COMPLETE
20	544208-005	*	*	*	*	*	2 BOBBIN WINDER REGULATOR SET SCREW
21	544865	*	*	*	*	*	2 BOBBIN WINDER SPRING
22	282759-451	*	*	*	*	*	2 BOBBIN WINDER SPINDLE THREAD GUARD
23	554312	*	*	*	*	*	2 BOBBIN WINDER PACKING
24	544217-001	*	*	*	*	*	6 BOBBIN WINDER SCREW
25	543803-003	*	*	*	*	*	6 BOBBIN WINDER SCREW WASHER

QTY	PART NO.	QTY					DESCRIPTION
		141A	141B	141G	541A	541B	
1	554409	*	*	*	*	*	1 BOBBIN WINDER DRIVING WHEEL (RIGHT) COMPLETE
2	544207-012	*	*	*	*	*	2 BOBBIN WINDER DRIVING WHEEL (RIGHT) SET SCREW
2	552579	*	*	*	*	*	2 BOBBIN WINDER TENSION COMPLETE
2	543804-005	*	*	*	*	*	2 BOBBIN WINDER BRACKET THRUST WASHER
2	552580	*	*	*	*	*	2 BOBBIN WINDER TENSION STUD COMP.
4	547247	*	*	*	*	*	4 BOBBIN WINDER TENSION DISC
2	547246	*	*	*	*	*	2 BOBBIN WINDER TENSION SPRING
2	368033	*	*	*	*	*	2 BOBBIN WINDER TENSION REGULATING THUMB NUT
2	541186	*	*	*	*	*	2 BOBBIN WINDER TENSION STUD LOCK NUT
2	554669-385	*	*	*	*	*	2 BOBBIN WINDER COMP.
2	552569	*	*	*	*	*	2 BOBBIN WINDER COMP.
1	554853	*	*	*	*	*	1 BOBBIN WINDER DRIVING WHEEL (LEFT) COMPLETE
2	544207-012	*	*	*	*	*	2 BOBBIN WINDER DRIVING WHEEL (LEFT) SET SCREW

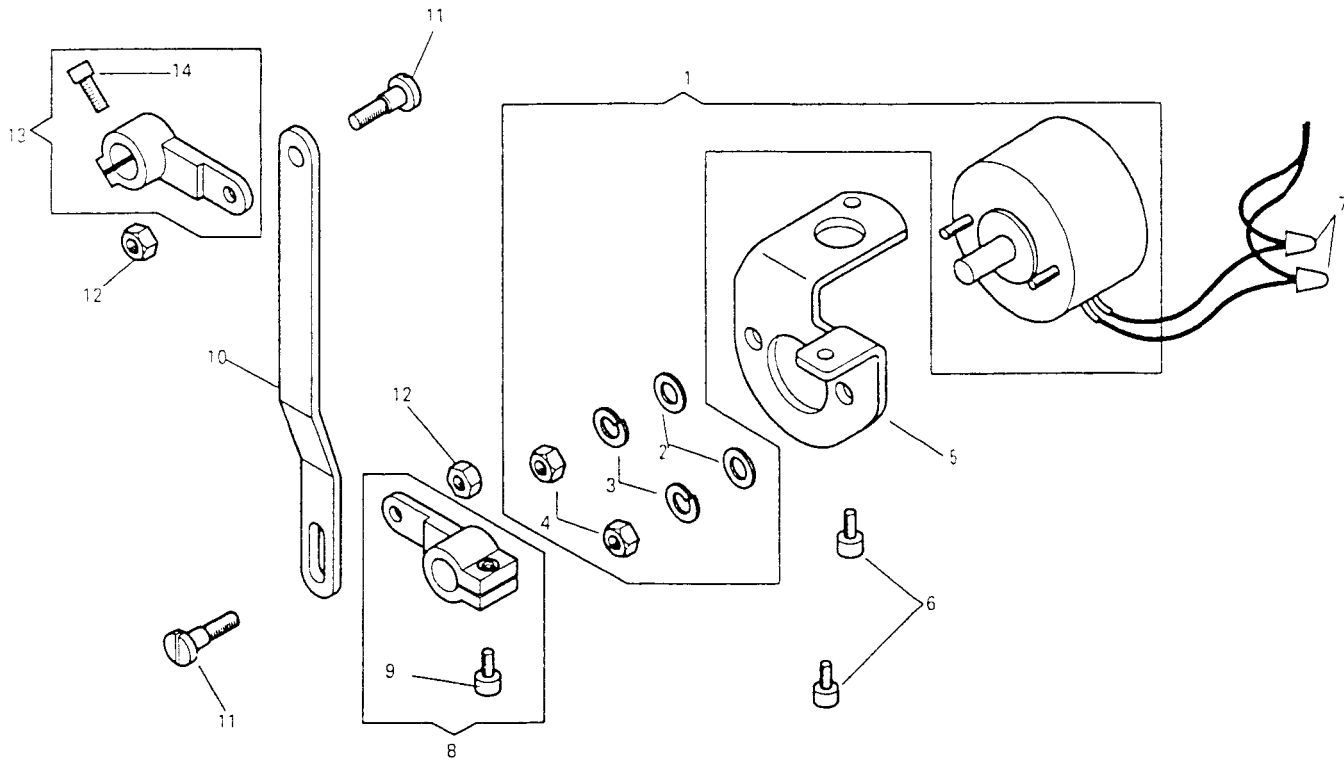
THREAD TRIMMER 1



NO.	PART NO.	141A	141B	141G	541A	541B	541G	Y	Q	DESCRIPTION
1	281184	-	*	*	-	*	*	*	1	TRIMMER CAM
2	374029	-	*	*	-	*	*	*	2	TRIMMER CAM SET SCREW
3	281013	-	*	*	-	*	*	*	1	TENSION RELEASING CAM
4	504028	-	*	*	-	*	*	*	2	TENSION RELEASING CAM SET SCREW
5	281014	-	*	*	-	*	*	*	1	TRIMMER POSITIVE MOTION CAM
6	544208-005	-	*	*	-	*	*	*	2	TRIMMER POSITIVE MOTION CAM SET SCREW
7	552585	-	*	*	-	*	*	*	1	TRIMMER SOLENOID BRACKET
8	369334	-	*	*	-	*	*	*	1	TRIMMER SOLENOID
9	543804-003	-	*	*	-	*	*	*	2	TRIMMER SOLENOID WASHER
10	543805-003	-	*	*	-	*	*	*	2	TRIMMER SOLENOID SPRING WASHER
11	541165-003	-	*	*	-	*	*	*	2	TRIMMER SOLENOID NUT
12	552586	-	*	*	-	*	*	*	1	TRIMMER SOLENOID ARM
13	545095	-	*	*	-	*	*	*	1	TRIMMER SOLENOID ARM SCREW
14	416772	-	*	*	-	*	*	*	1	TRIMMER SOLENOID ARM PIN
15	545072	-	*	*	-	*	*	*	1	TRIMMER SOLENOID ARM PIN SCREW
16	281020	-	*	*	-	*	*	*	1	TRIMMER SOLENOID ARM STOPPER
17	190-850	-	*	*	-	*	*	*	2	TRIMMER SOLENOID ARM STOPPER SCREW
18	281021	-	*	*	-	*	*	*	1	TRIMMER LEVER SHAFT
19	281096	-	*	*	-	*	*	*	1	TRIMMER LEVER SHAFT SPRING
20	281023	-	*	*	-	*	*	*	1	TRIMMER POSITIVE MOTION BRACKET COMPLETE
21	416777	-	*	*	-	*	*	*	1	TRIMMER POSITIVE MOTION BRACKET BOSS
22	549120	-	*	*	-	*	*	*	3	TRIMMER POSITIVE MOTION BRACKET BOSS SCREW
23	552588	-	*	*	-	*	*	*	1	TENSION RELEASE DRIVING LEVER
24	416780	-	*	*	-	*	*	*	1	TENSION RELEASING CAM ROLLER
25	414773-451	-	*	*	-	*	*	*	1	TENSION RELEASING CAM ROLLER SCREW
26	545409	-	*	*	-	*	*	*	1	TENSION RELEASING CAM ROLLER SCREW LOCK NUT
27	552590	-	*	*	-	*	*	*	1	TRIMMER LEVER
28	416780	-	*	*	-	*	*	*	1	TRIMMER CAM ROLLER
29	414773-451	-	*	*	-	*	*	*	1	TRIMMER CAM ROLLER SCREW
30	545264	-	*	*	-	*	*	*	1	TRIMMER LEVER RETURN SPRING HOOK

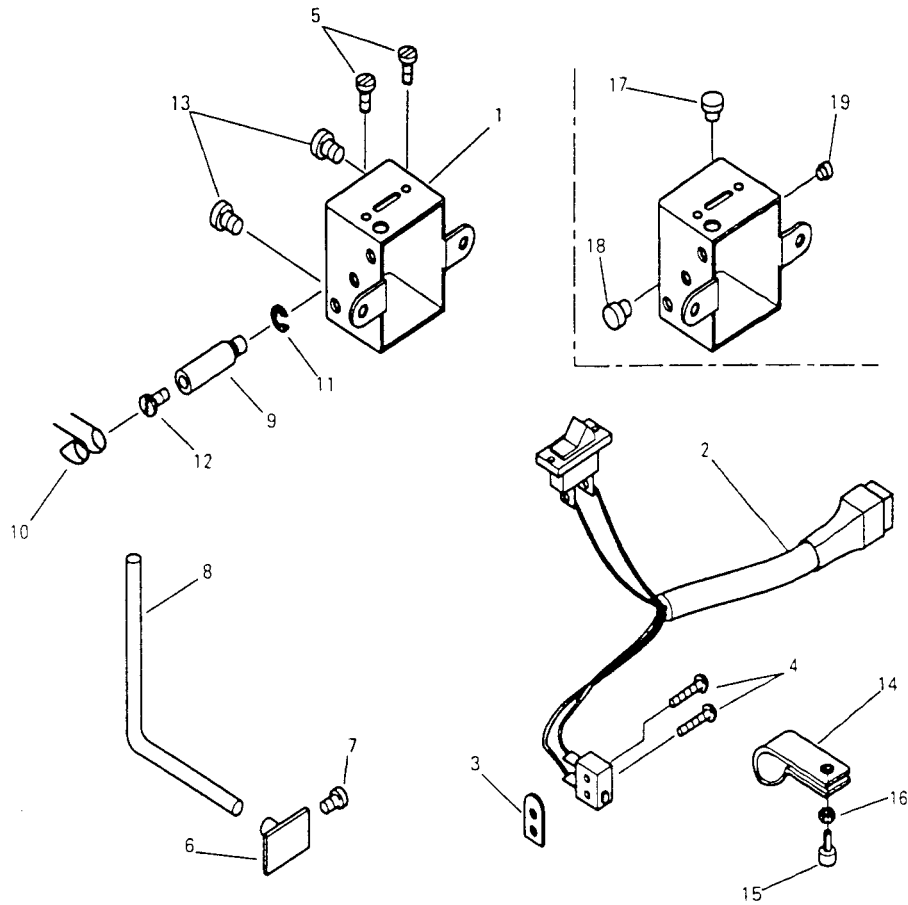
NO.	PART NO.	141A	141B	141G	541A	541B	541G	Y	Q	DESCRIPTION
31	544208-005	-	*	*	-	*	*	*	1	TRIMMER LEVER SET SCREW
32	552591	-	*	*	-	*	*	*	1	TRIMMER LEVER STOPPER
33	414508	-	*	*	-	*	*	*	2	TRIMMER LEVER STOPPER SCREW
34	544352	-	*	*	-	*	*	*	3	TRIMMER SOLENOID BRACKET SCREW
35	554469	-	*	*	-	*	*	*	1	TRIMMER BACK TACK SOLENOID CORD COMP.
36	554723	-	*	*	-	*	*	*	1	TRIMMER SOLENOID CORD COMP.
37	552592	-	*	*	-	*	*	*	1	TRIMMER LEVER RETURN SPRING
37	374307	-	*	*	-	*	*	*	1	TRIMMER LEVER RETURN SPRING STUD
38	369333	-	*	*	-	*	*	*	1	TRIMMER SOLENOID COMP.
39	542766-002	-	*	*	-	*	*	*	4	TRIMMER SOLENOID CORD RETAINER
40	543803-002	-	*	*	-	*	*	*	4	TRIMMER SOLENOID CORD WASHER
41	504010-452	-	*	*	-	*	*	*	4	TRIMMER SOLENOID CORD SCREW
42	417142-001	-	*	*	-	*	*	*	2	TRIMMER SOLENOID WIRE CONNECTOR

BACK TACK MECHANISM



PART NO.	141A	141B	141G	541A	541B	541G	Y	T	D	DESCRIPTION
369335	-	-	*	-	-	*	1			BACK TACK SOLENOID COMPLETE
543804-005	-	-	*	-	-	*	2			BACK TACK SOLENOID WASHER
543805-005	-	-	*	-	-	*	2			BACK TACK SOLENOID SPRING WASHER
541167-003	-	-	*	-	-	*	2			BACK TACK SOLENOID NUT
552609	-	-	*	-	-	*	1			BACK TACK SOLENOID BRACKET
544214-002	-	-	*	-	-	*	2			BACK TACK SOLENOID BRACKET SCREW
417142-001	-	-	*	-	-	*	2			BACK TACK SOLENOID WIRE CONNECTOR
552610	-	-	*	-	-	*	1			BACK TACK SOLENOID ARM COMPLETE
549183	-	-	*	-	-	*	1			BACK TACK SOLENOID ARM PINCH SCREW
552612	-	-	*	-	-	*	1			BACK TACK SOLENOID LINK
374546	-	-	*	-	-	*	2			BACK TACK SOLENOID LINK HINGE SCREW
417410	-	-	*	-	-	*	2			BACK TACK SOLENOID LINK HINGE SCREW NUT
552613	-	-	*	-	-	*	1			FEED REVERSE LEVER SHAFT ACTUATING ARM COMPLETE
374107-004	-	-	*	-	-	*	1			FEED REVERSE LEVER SHAFT ACTUATING ARM PINCH SCREW

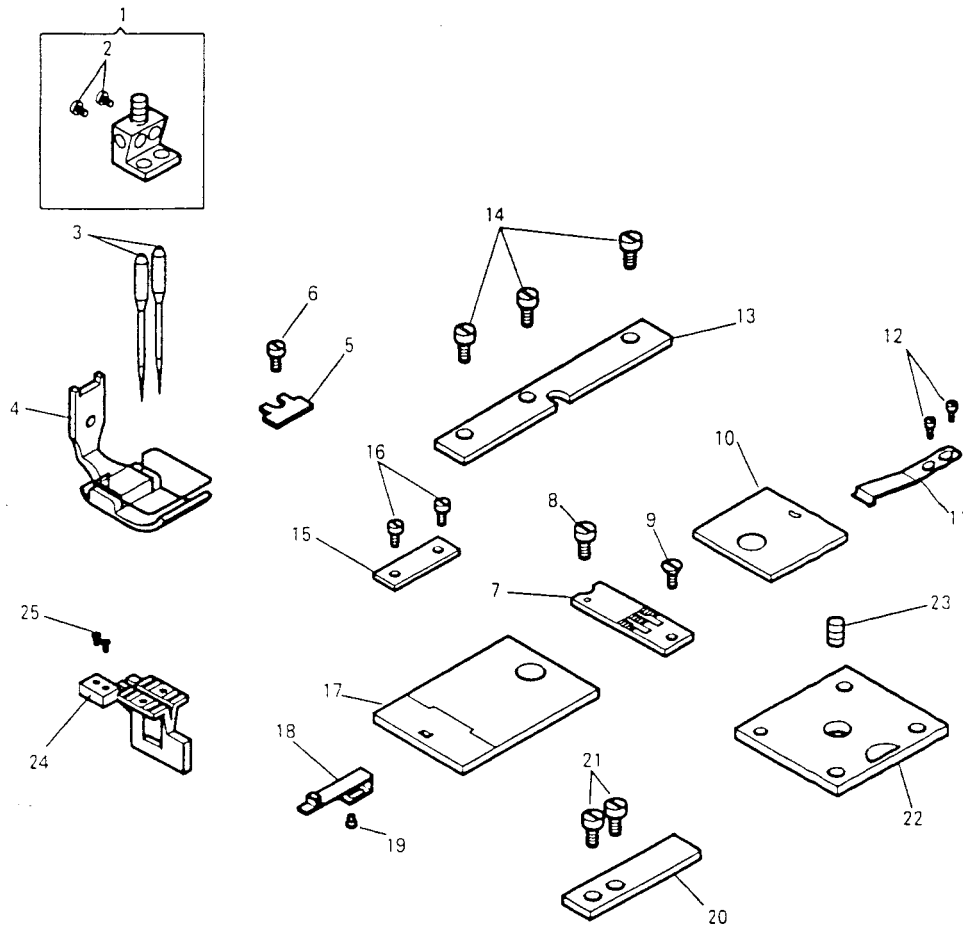
BACK TACK SWITCH



NO	PART NO.	141A	141B	141G	541A	541B	541G	QTY	DESCRIPTION
1	552616	-	*	*	-	*	*	1	WIPER, BACK TACK SWITCH BOX
2	419009	-	*	*	-	*	*	1	WIPER, BACK TACK SWITCH CORD, CONNECTOR COMP.
3	368467	-	*	*	-	*	*	1	BACK TACK SWITCH PLATE
4	544211-056	-	*	*	-	*	*	2	BACK TACK SWITCH PLATE SCREW
5	544211-001	-	*	*	-	*	*	2	WIPER SWITCH SCREW
6	376146	-	*	*	-	*	*	1	BACK TACK SWITCH LEVER BUTTON
7	374110-002	-	*	*	-	*	*	1	BACK TACK SWITCH LEVER BUTTON SCREW
8	552618	-	*	*	-	*	*	1	BACK TACK SWITCH LEVER
9	375733	-	*	*	-	*	*	1	BACK TACK SWITCH LEVER SHAFT
10	375732	-	*	*	-	*	*	1	BACK TACK SWITCH LEVER SPRING
11	543801-015	-	*	*	-	*	*	1	BACK TACK SWITCH LEVER SHAFT SNAP RING
12	545246-452	-	*	*	-	*	*	1	BACK TACK SWITCH LEVER SCREW
13	544217-052	-	*	*	-	*	*	2	WIPER, BACK TACK SWITCH BOX SCREW
14	542766-005	-	*	*	-	*	*	1	WIPER, BACK TACK SWITCH CORD CLIP
15	504010-452	-	*	*	-	*	*	1	WIPER, BACK TACK SWITCH CORD CLIP SCREW
16	543803-002	-	*	*	-	*	*	1	WIPER, BACK TACK SWITCH CORD CLIP SCREW WASHER
17	414245	-	*	-	-	*	-	1	WIPER SWITCH BOX RUBBER PLUG (MIDDLE)
18	420255	-	*	-	-	*	-	1	WIPER SWITCH BOX RUBBER PLUG (LARGE)
19	418400	-	*	-	-	*	-	1	WIPER SWITCH BOX RUBBER PLUG (SMALL)

NO	PART NO.	141A	141B	141G	541A	541B	541G	QTY	DESCRIPTION

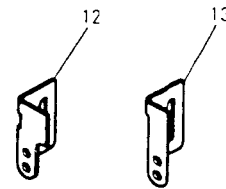
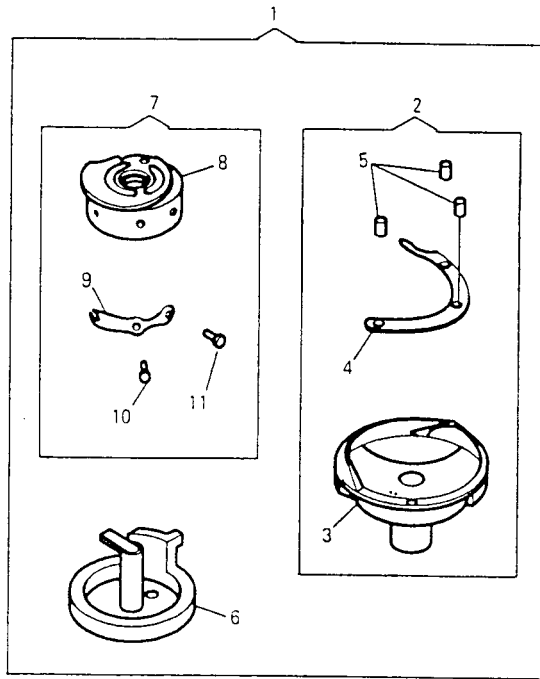
GAUGE PARTS



NO.	PART NO.	141A	141B	141G	541A	541B	541G	T-D	Y	DESCRIPTION
1	412040-008	*	*	*	*	*	*		1	NEEDLE HOLDER COMP (1/8", 3.2mm)
1	412040-012	*	*	*	*	*	*		1	NEEDLE HOLDER COMP (3/16", 4.8mm) (STANDARD)
1	412040-016	*	*	*	*	*	*		1	NEEDLE HOLDER COMP (1/4", 6.4mm) (STANDARD)
1	412040-020	*	*	*	*	*	*		1	NEEDLE HOLDER COMP (5/16", 7.9mm)
1	412040-024	*	*	*	*	*	*		1	NEEDLE HOLDER COMP (3/8", 9.5mm)
1	412040-100	*	*	*	*	*	*		1	NEEDLE HOLDER COMP (1", 25.4mm)
2	374456	*	*	*	*	*	*		2	NEEDLE SET SCREW
3	N19550-114	*	*	*	*	*	*		2	NEEDLE (CAT. NO. 1955-01 #14)
3	N19550-121	-	-	-	-	-	-		2	NEEDLE (CAT. NO. 1955-01 #21)
4	554670-008	*	*	*	*	*	*		1	PRESSER FOOT COMP (1/8", 3.2mm)
4	554670-012	*	*	*	*	*	*		1	PRESSER FOOT COMP (3/16", 4.8mm) (STANDARD)
4	554670-016	*	*	*	*	*	*		1	PRESSER FOOT COMP (1/4", 6.4mm) (STANDARD)
4	554670-020	*	*	*	*	*	*		1	PRESSER FOOT COMP (5/16", 7.9mm)
4	554670-024	*	*	*	*	*	*		1	PRESSER FOOT COMP (3/8", 9.5mm)
4	554670-100	*	*	*	*	*	*		1	PRESSER FOOT COMP (1", 25.4mm)
5	416604	-	*	*	*	*	*		1	THREAD GAUGE (1/8", 3/16", 1/4", 5/16", 3/8", 1/2")
6	544450	-	*	*	*	*	*		1	THREAD GUARD SCREW
7	412039-008	*	-	-	-	-	-		1	THROAT PLATE (1/8", 3.2mm)
7	412039-012	*	-	-	-	-	-		1	THROAT PLATE (3/16", 4.8mm) (STANDARD)
7	412039-016	*	-	-	-	-	-		1	THROAT PLATE (1/4", 6.4mm) (STANDARD)
7	412039-020	*	-	-	-	-	-		1	THROAT PLATE (5/16", 7.9mm)
7	412039-024	*	-	-	-	-	-		1	THROAT PLATE (3/8", 9.5mm)
7	412039-100	*	-	-	-	-	-		1	THROAT PLATE (1", 25.4mm)
7	281068-008	-	*	*	*	*	*		1	THROAT PLATE (1/8", 3.2mm)
7	281068-012	-	*	*	*	*	*		1	THROAT PLATE (3/16", 4.8mm) (STANDARD)
7	281068-016	-	*	*	*	*	*		1	THROAT PLATE (1/4", 6.4mm) (STANDARD)
7	281068-020	-	*	*	*	*	*		1	THROAT PLATE (5/16", 7.9mm)
7	281068-024	-	*	*	*	*	*		1	THROAT PLATE (3/8", 9.5mm)
7	281068-100	-	*	*	*	*	*		1	THROAT PLATE (1", 25.4mm)

NO.	PART NO.	141A	141B	141G	541A	541B	541G	T-D	Y	DESCRIPTION
8	544382-452	*	*	*	*	*	*		1	THROAT PLATE CLAMP SCREW
9	691-845	*	*	*	*	*	*		1	THROAT PLATE SCREW
10	552814	*	*	*	*	*	*		1	BED SLIDE (RIGHT) (1/8", 3/16", 1/4", 5/16", 3/8")
10	552816	*	*	*	*	*	*		1	BED SLIDE (RIGHT) (1")
11	552419	*	*	*	*	*	*		1	BED SLIDE (RIGHT) SPRING PLATE
12	544269	*	*	*	*	*	*		2	BED SLIDE (RIGHT) SPRING PLATE SCREW
13	554453	-	*	*	*	*	*		1	BED COVER PLATE (RIGHT)
14	545137	-	*	*	*	*	*		3	BED COVER PLATE (RIGHT) SCREW
15	554651	*	-	-	-	-	-		1	BED COVER PLATE
16	414659	*	-	-	-	-	-		2	BED COVER PLATE SCREW
17	554615	*	*	*	*	*	*		1	BED SLIDE (LEFT) (1/8", 3/16", 1/4", 5/16", 3/8", 1/2")
18	554666	*	*	*	*	*	*		1	BED SLIDE (LEFT) SPRING PLATE
19	544419	*	*	*	*	*	*		1	BED SLIDE (LEFT) SPRING PLATE SCREW
20	281069	-	*	*	*	*	*		1	BED COVER PLATE (LEFT)
21	545137	-	*	*	*	*	*		2	BED COVER PLATE (LEFT) SCREW
22	416756-452	*	-	-	-	-	-		1	ATTACHMENT SLIDE PLATE
22	281072	-	*	*	*	*	*		1	ATTACHMENT SLIDE PLATE
23	544389	*	*	*	*	*	*		1	ATTACHMENT SLIDE PLATE LOCK SCREW
24	412266-008	*	-	-	-	-	-		1	FEED DOG (1/8", 3.2mm)
24	412253-012	*	-	-	-	-	-		1	FEED DOG (3/16", 4.8mm) (STANDARD)
24	412254-016	*	-	-	-	-	-		1	FEED DOG (1/4", 6.4mm) (STANDARD)
24	412254-020	*	-	-	-	-	-		1	FEED DOG (5/16", 7.9mm)
24	412254-024	*	-	-	-	-	-		1	FEED DOG (3/8", 9.5mm)
24	412255-100	*	-	-	-	-	-		1	FEED DOG (1", 25.4mm)
24	281191-008	-	*	*	*	*	*		1	FEED DOG (1/8", 3.2mm)
24	281192-012	-	*	*	*	*	*		1	FEED DOG (3/16", 4.8mm) (STANDARD)
24	281193-016	-	*	*	*	*	*		1	FEED DOG (1/4", 6.4mm) (STANDARD)
24	281193-020	-	*	*	*	*	*		1	FEED DOG (5/16", 7.9mm)
24	281193-024	-	*	*	*	*	*		1	FEED DOG (3/8", 9.5mm)
24	281195-100	-	*	*	*	*	*		1	FEED DOG (1", 25.4mm)
25	544399	*	*	*	*	*	*		2	FEED DOG SCREW

PARTS AVAILABLE AT EXTRA CHARGE



NO.	PART NO.	141A	141B	141G	541A	541B	541G	T-O	DESCRIPTION
							Y		
1	554605	*	*	*	*	*	*	1	HOOK AND BOBBIN CASE COMP.
1	554610	*	*	*	*	*	*	1	HOOK AND BOBBIN CASE COMP.
2	554606	*	*	*	*	*	*	1	HOOK COMP.
2	554611	*	*	*	*	*	*	1	HOOK COMP.
3	554607	*	*	*	*	*	*	1	HOOK (BODY)
3	554612	*	*	*	*	*	*	1	HOOK (BODY)
4	281135	*	*	*	*	*	*	1	HOOK GIB
4	412311	*	*	*	*	*	*	1	HOOK GIB
5	201253	*	*	*	*	*	*	2	HOOK GIB SCREW
5	500520	*	*	*	*	*	*	3	HOOK GIB SCREW
6	281138	*	*	*	*	*	*	1	BOBBIN CASE COMP.
6	281148	*	*	*	*	*	*	1	BOBBIN CASE COMP.
7	552878	*	*	*	*	*	*	1	BOBBIN CASE CAP COMP.
7	554613	*	*	*	*	*	*	1	BOBBIN CASE CAP COMP.
8	552879	*	*	*	*	*	*	1	BOBBIN CASE CAP
8	554614	*	*	*	*	*	*	1	BOBBIN CASE CAP
9	281143	*	*	*	*	*	*	1	BOBBIN CASE CAP TENSION SPRING
9	281149	*	*	*	*	*	*	1	BOBBIN CASE CAP TENSION SPRING
10	200984	*	*	*	*	*	*	1	BOBBIN CASE CAP TENSION SPRING REGULATING SCREW
10	500519	*	*	*	*	*	*	1	BOBBIN CASE CAP TENSION SPRING REGULATING SCREW
11	200594	*	*	*	*	*	*	1	BOBBIN CASE TENSION SPRING SCREW
11	500518	*	*	*	*	*	*	1	BOBBIN CASE TENSION SPRING SCREW
12	554681	*	*	*	*	*	*	1	ARM THREAD GUIDE
13	554082	*	*	*	*	*	*	1	ARM THREAD GUIDE

NO.	PART NO.	141A	141B	141G	541A	541B	541G	T-O	DESCRIPTION
							Y		