

ILLUSTRATED

PARTS LIST

FOR

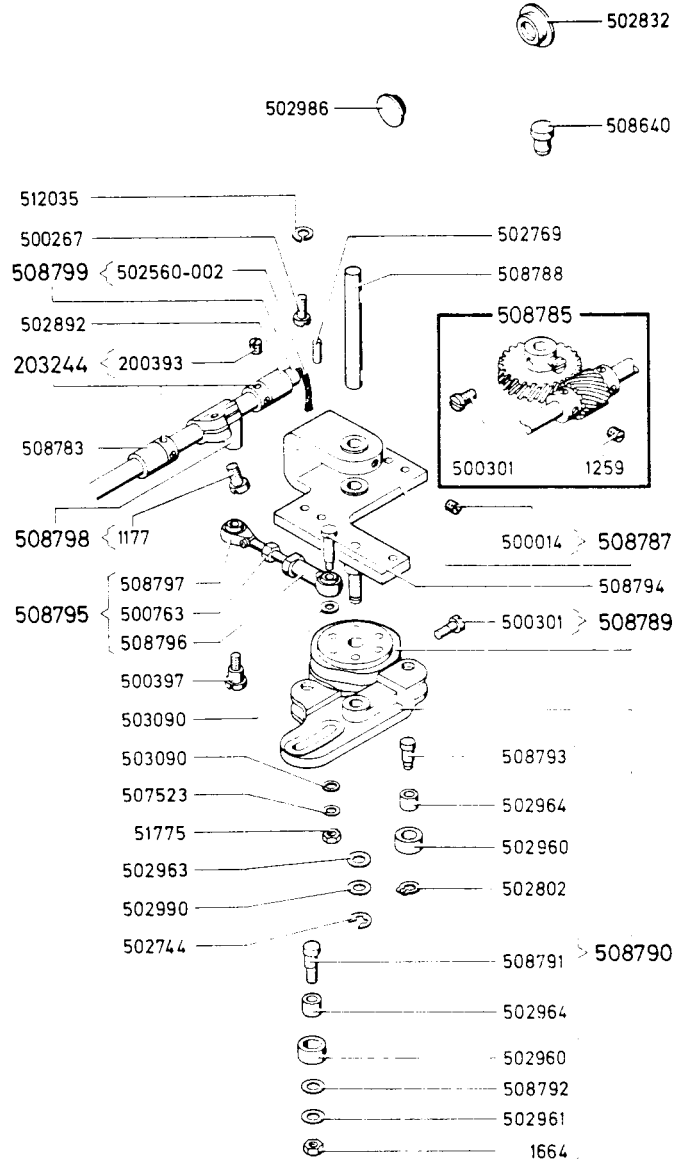
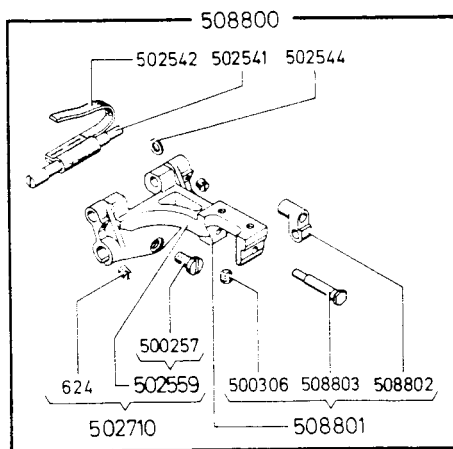
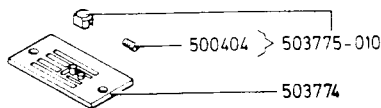
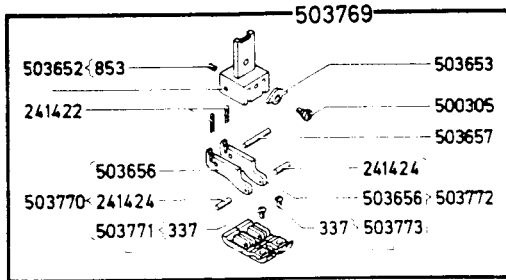
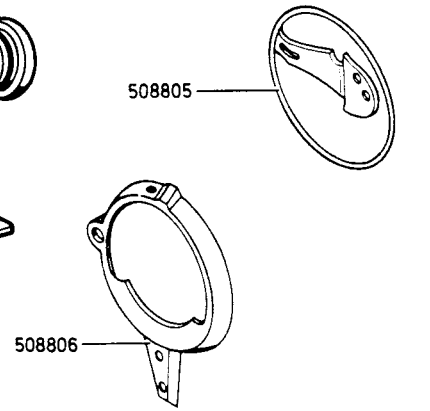
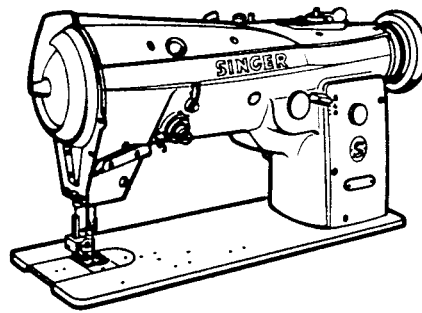
**SINGER**

MACHINE

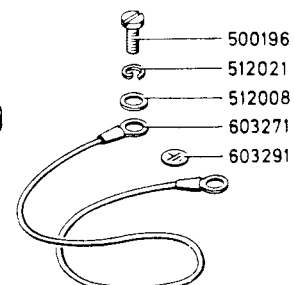
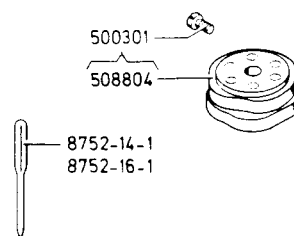
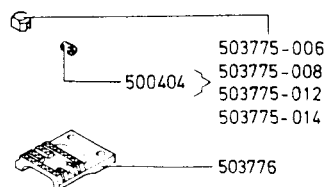
457 G140

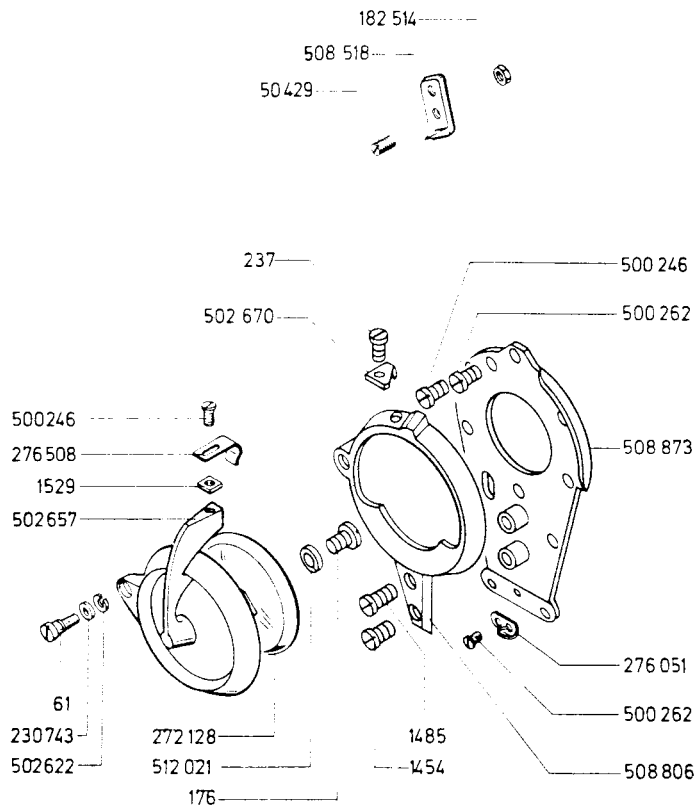
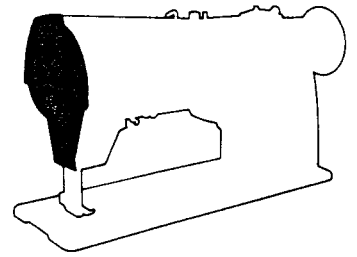
# SINGER

ILLUSTRATED  
PARTS LIST  
FORM-NO. 30-397 G  
(0769/996)  
FOR MACHINE 457 G 140



## ACCESSORIES



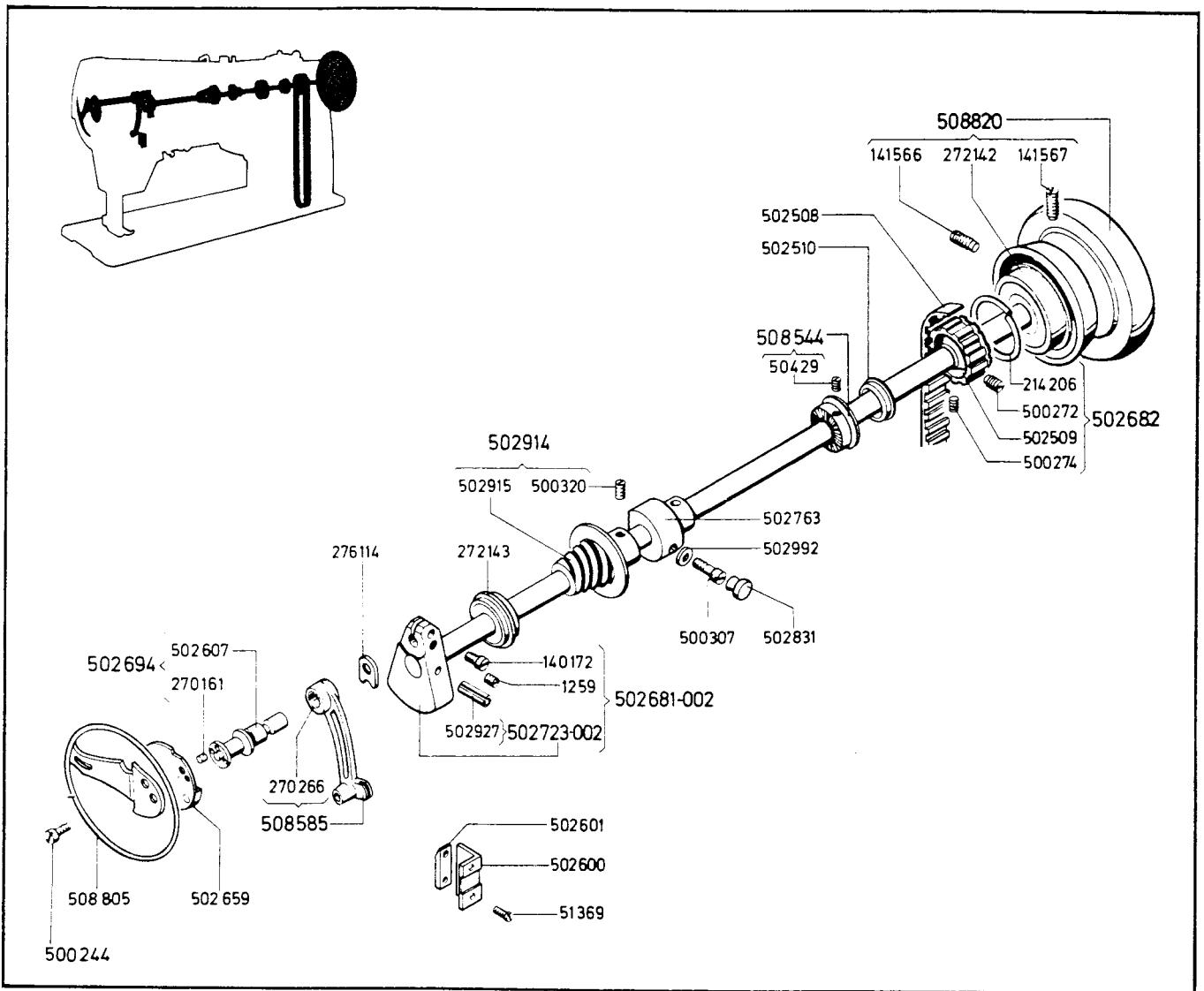


000061-850 ROTARY TAKE-UP GUARD HINGE SCREW  
 000176-850 ROTARY TAKE-UP GUARD COVER WINDOW SCREW  
 000237-833 THREAD CUTTER (ON ROTARY TAKE-UP GUARD SCREW)  
 001454-850 ROTARY TAKE-UP GUARD SCREW (SHORT)  
 001485-850 ROTARY TAKE-UP GUARD SCREW (LONG)  
 001529-850 SPRING CATCH SCREW NUT  
 050429-833 THREAD CUTTER (ON FACE PLATE) ADJUSTING SCREW  
 182514-819 THREAD CUTTER (ON FACE PLATE) ADJUSTING SCREW NUT  
 230743 HINGE SCREW THRUST WASHER  
 272128 ROTARY TAKE-UP GUARD COVER WINDOW  
 276051 THREAD GUIDE (ON FACE PLATE)  
 276508 ROTARY TAKE-UP GUARD SPRING CATCH

500246-850 FACE PLATE SCREW (8)  
 500246-850 ROTARY TAKE-UP GUARD SPRING CATCH SCREW  
 500262-833 THREAD GUIDE (ON FACE PLATE) SCREW  
 500262-833 THREAD CUTTER (ON FACE PLATE) SCREW  
 502670 THREAD CUTTER (ON ROTARY TAKE-UP GUARD)  
 508518 THREAD CUTTER (ON FACE PLATE)  
 508806 ROTARY TAKE-UP GUARD  
 508873 FACE PLATE  
 502622 ROTARY TAKE-UP GUARD HINGE SCREW SPRING WASHER  
 502657 ROTARY TAKE-UP GUARD COVER  
 512021 ROTARY TAKE-UP COVER WINDOW WASHER

PART NO. DESCRIPTION

PART NO. DESCRIPTION

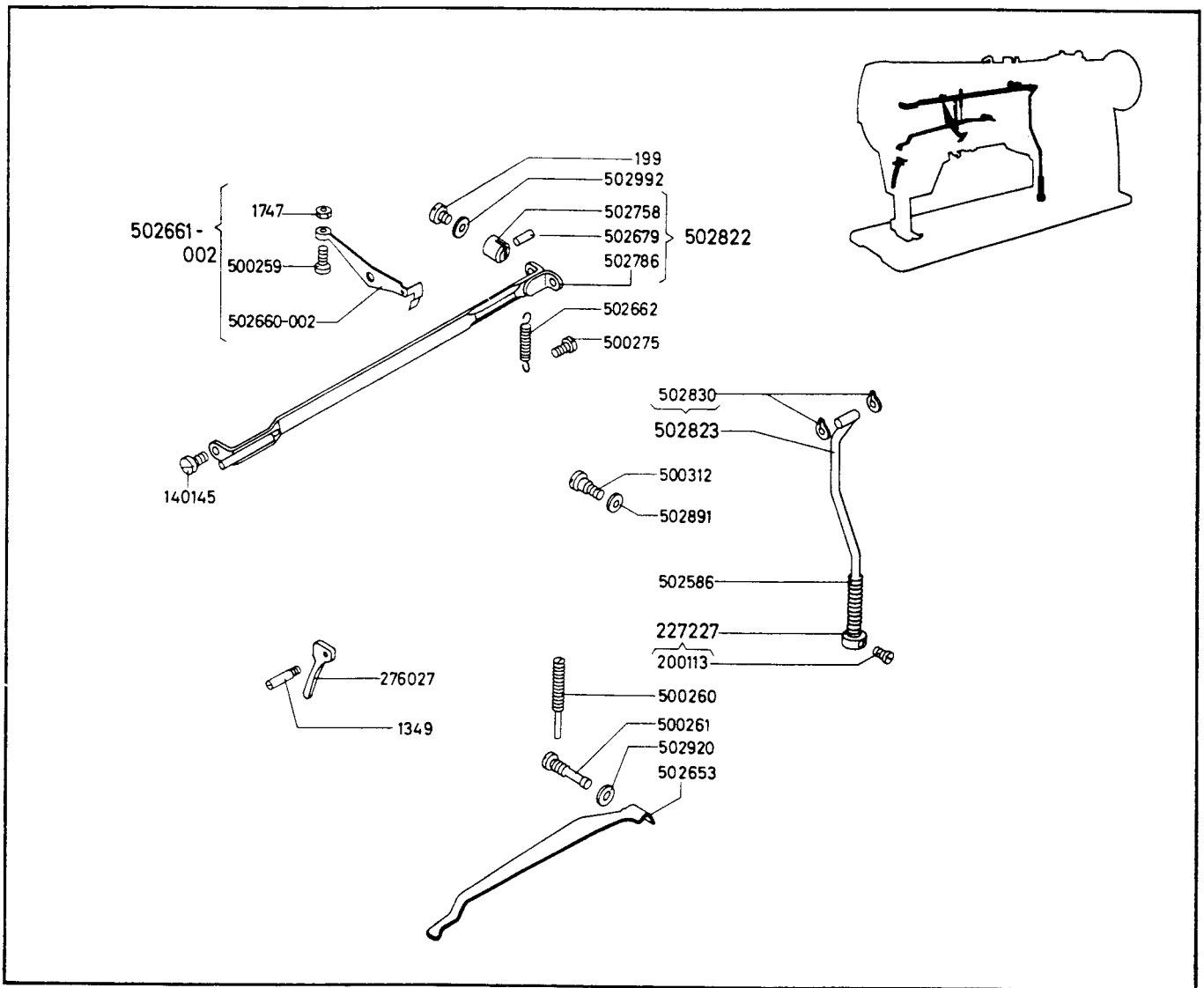


001259-830	NEEDLE BAR CRANK STUD POSITION SCREW
050429-833	BOBBIN WINDER DRIVING WHEEL SCREW
051369-850	NEEDLE BAR CONNECTING LINK CLAMPING PLATE SCREW (2)
140172-833	NEEDLE BAR CRANK STUD PINCH SCREW
141566-833	MACHINE PULLEY POSITION SCREW
141567-833	MACHINE PULLEY SET SCREW
214206	ARM SHAFT CONNECTION BELT PULLEY SPRING FLANGE
270161	NEEDLE BAR CRANK STUD PIN
270266	NEEDLE BAR CONNECTING LINK NEEDLE BEARING
272142	MACHINE PULLEY BALL BEARING
272143	ARM SHAFT BALL BEARING
276114	NEEDLE BAR CONNECTING LINK THRUST WASHER
500244-850	ROTARY TAKE-UP SCREW (2)
500272-830	ARM SHAFT CONNECTION BELT PULLEY SCREW
500274-830	ARM SHAFT CONNECTION BELT PULLEY POSITION SCREW
500307-850	ARM SHAFT BUSHING (CENTER) SCREW
500320-830	ARM HEAD OIL DRAIN WICK SLINGER SET SCREW (2)
502508	ARM SHAFT CONNECTION BELT
502509	ARM SHAFT CONNECTION BELT PULLEY
502510	ARM SHAFT OIL SHIELD

502600	NEEDLE BAR CONNECTING LINK GUIDE BLOCK
502601	NEEDLE BAR CONNECTING LINK CLAMP PLATE
502607	NEEDLE BAR CRANK STUD
502659	ROTARY TAKE-UP MOUNTING DISC
502681-002	ARM SHAFT WITH 1259, 140172 AND 502723-002
502682	ARM SHAFT CONNECTION BELT PULLEY CPL. NOS. 214206, 500272, 500274 AND 502509
502694	NEEDLE BAR CRANK STUD WITH 270161 AND 502607
502723-002	ARM SHAFT AND NEEDLE BAR CRANK WITH 502927
502763	ARM SHAFT BUSHING (CENTER)
502831	ARM SHAFT BUSHING (CENTER) SCREW PLUG
502914	ARM HEAD OIL DRAIN WICK SLINGER CPL. NOS. 502915 AND TWO 500302
502915	ARM HEAD OIL DRAIN WICK SLINGER
502927	ARM SHAFT AND NEEDLE BAR CRANK PIN
502992	ARM SHAFT BUSHING (CENTER) SCREW GASKET SCREW
508544	BOBBIN WINDER DRIVING WHEEL CPL. NOS. TWO 50429
508585	NEEDLE BAR CONNECTING LINK WITH 270266
508805	ROTARY TAKE-UP
508820	MACHINE PULLEY WITH 141566, 141567 AND 272142

PART NO. DESCRIPTION

PART NO. DESCRIPTION

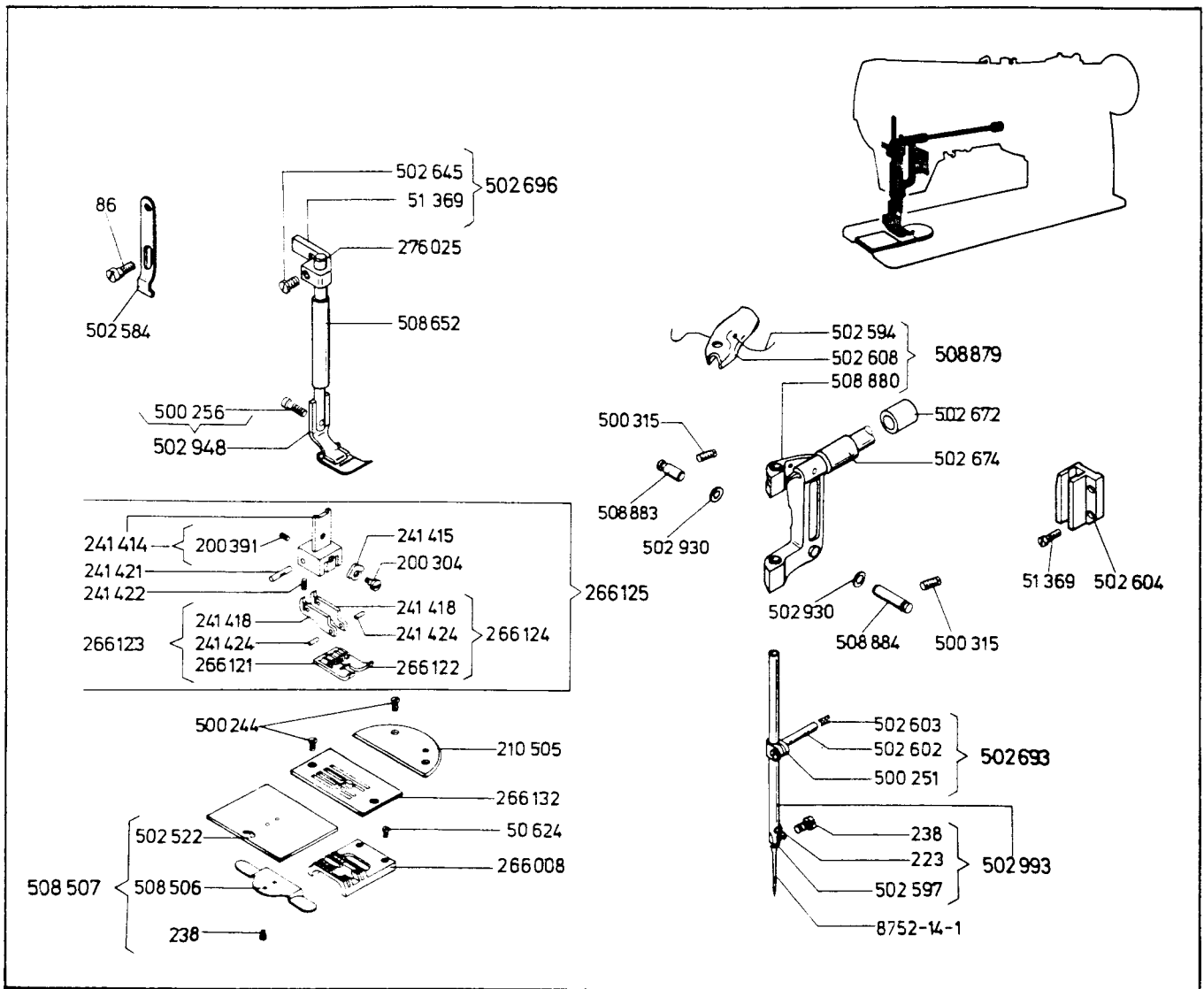


000199-850 KNEE LIFTER ROCK FRAME HINGE STUD LOCK SCREW  
 001349-850 PRESSER BAR LIFTER HINGE SCREW  
 001747-850 TENSION RELEASEER ADJUSTING SCREW LOCK NUT  
 140145-803 KNEE LIFTER LIFTING FRAME HINGE SCREW  
 200113-850 KNEE LIFTER LIFTING ROD COLLAR SET SCREW  
 276027 PRESSER BAR LIFTER  
 227227 KNEE LIFTER LIFTING ROD COLLAR WITH 200113  
 500259-803 TENSION RELEASEER ADJUSTING SCREW  
 500260-833 PRESSER BAR SPRING SCREW  
 500261-850 PRESSER BAR SPRING SCREW STUD  
 500275-850 TENSION RELEASEER HINGE SCREW  
 500312-850 SINGER LIGHT STUD HOLE SCREW PLUG (FOR UN-USED HOLE)

502586 KNEE LIFTER LIFTING ROD SPRING  
 502653 PRESSER BAR SPRING  
 502660-002 TENSION RELEASEER  
 502661-002 TENSION RELEASEER CPL. NOS. 1747, 500259 AND 502660-002  
 502662 TENSION RELEASEER SPRING  
 502679 KNEE LIFTER ROCK FRAME HINGE STUD PIN  
 502758 KNEE LIFTER ROCK FRAME HINGE STUD  
 502786 KNEE LIFTER ROCK FRAME  
 502822 KNEE LIFTER ROCK FRAME WITH 502679, 502758 AND 502786  
 502823 KNEE LIFTER LIFTING ROD WITH TWO 502830  
 502830 KNEE LIFTER LIFTING ROD GRIP RING (2)  
 502891 SINGER LIGHT STUD HOLE SCREW PLUG GASKET  
 502920 PRESSER BAR SPRING SCREW STUD GASKET  
 502992 ARM SHAFT BUSHING (CENTER) SCREW GASKET RING

PART NO. DESCRIPTION

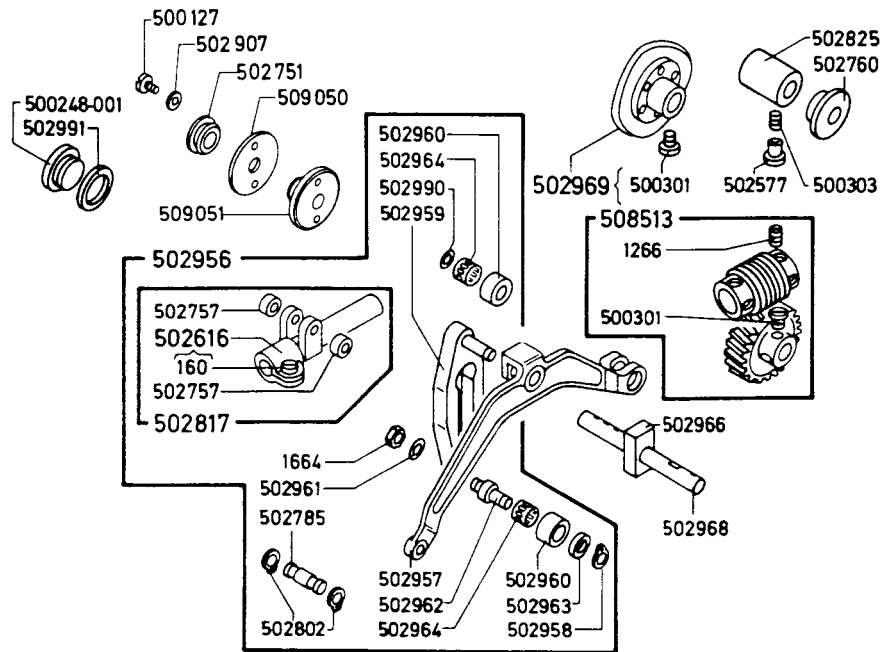
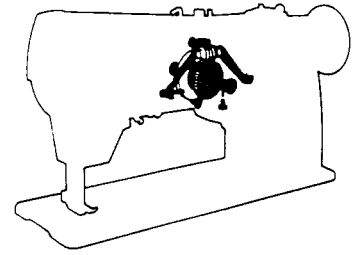
PART NO. DESCRIPTION



000086-850	KNEE LIFTER LIFTING LINK SCREW	500244-850	BED PLATE SCREW (BACK) AND THROAT PLATE SCREW (4)
000223-850	NEEDLE SET SCREW	500251-850	NEEDLE BAR CONNECTING STUD PINCH SCREW
000238-850	NEEDLE BAR THREAD GUIDE SET SCREW	500256-850	PRESSER FOOT SCREW
000238-850	BED SLIDE SPRING SCREW (2)	500315-830	NEEDLE BAR YOKE GUIDE SET SCREW (2)
008752-14-1	NEEDLE (142)	502522	BED SLIDE
050624-830	FEED DOG SCREW (2)	502584	KNEE LIFTER LIFTING LINK
051369-850	NEEDLE BAR CONNECTING STUD GUIDE BLOCK SCREW (2)	502594	NEEDLE BAR OIL FELT CORD
051369-850	PRESSER BAR POSITION GUIDE PINCH SCREW	502597	NEEDLE BAR THREAD GUIDE
200304-804	PRESSER FOOT COMPENSATING CONNECTION HINGE SCREW	502602	NEEDLE BAR CONNECTING STUD
200391-833	PRESSER FOOT BRACKET SET SCREW	502603	NEEDLE BAR CONNECTING STUD OIL WICK
210505	BED PLATE (BACK)	502604	NEEDLE BAR CONNECTING STUD GUIDE BLOCK
241414	PRESSER FOOT BRACKET WITH 200391	502608	NEEDLE BAR OIL FELT
241415	PRESSER FOOT CONNECTION LEVER	502645	PRESSER BAR POSITION GUIDE
241418	PRESSER FOOT SHANK (LEFT AND RIGHT) (2)	502672	NEEDLE BAR YOKE BEARING (BACK)
241421	PRESSER FOOT BRACKET HINGE PIN	502674	NEEDLE BAR YOKE BEARING (FRONT)
241422	PRESSER FOOT SHANK SPRING	502693	NEEDLE BAR CONNECTING STUD WITH 500251, 502602 AND 502603
241424	PRESSER FOOT SOLE (RIGHT AND LEFT) (2)	502696	PRESSER BAR POSITION GUIDE WITH 51369 AND 502645
266008	FEED DOG	502930	NEEDLE BAR YOKE GUIDE SEAL (FRONT AND REAR)
266121	PRESSER FOOT PLATE (LEFT)	502948	PRESSER BAR WITH PRESSER FOOT SCREW 500256
266122	PRESSER FOOT PLATE (RIGHT)	502993	NEEDLE BAR CPL. NOS. 223, 238 AND 502597
266123	PRESSER FOOT COMPENSATING SHANK (LEFT) CPL. NOS. 241418, 241424 AND 266121	508506	BED SLIDE SPRING
266124	PRESSER FOOT COMPENSATING SHANK (RIGHT) CPL. NOS. 241418, 241424 AND 266122	508507	BED SLIDE CPL. NOS. 502522, 508506 AND TWO 238
266125	PRESSER FOOT (HINGED) (COMPENSATING) CPL. NOS. 200304, 241414, 241415, 241421, 241422, 266123 AND 266124	508652	PRESSER BAR BUSHING
266132	THROAT PLATE	508879	NEEDLE BAR YOKE WITH OIL FELT CPL. NOS. 502608, 502594 AND 508880
276025	PRESSER BAR BALL	508880	NEEDLE BAR YOKE
		508883	NEEDLE BAR YOKE GUIDE (REAR)
		508884	NEEDLE BAR YOKE GUIDE (FRONT)

PART NO. DESCRIPTION

PART NO. DESCRIPTION

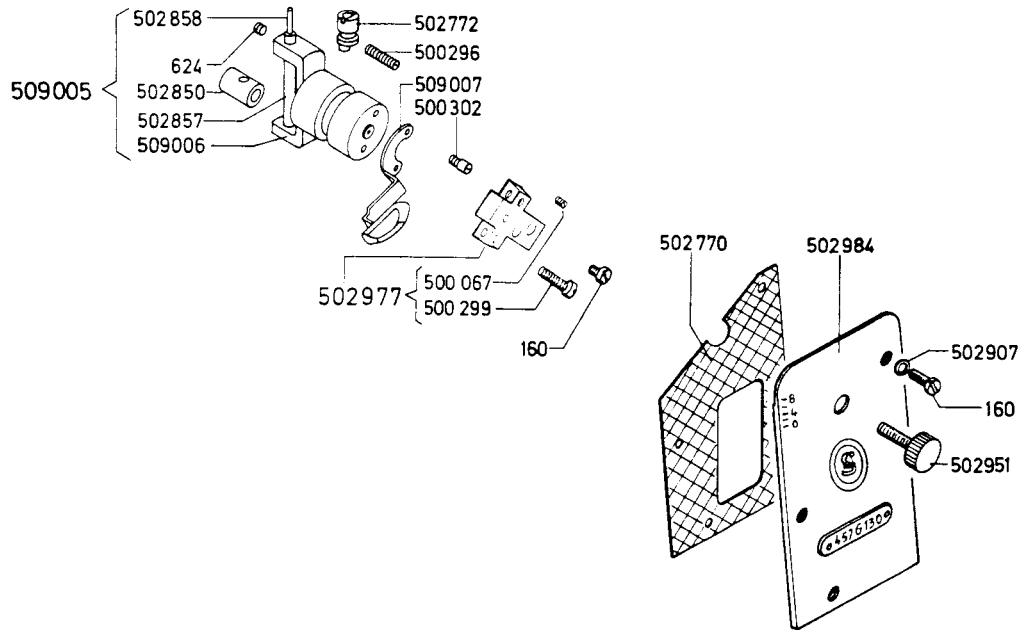
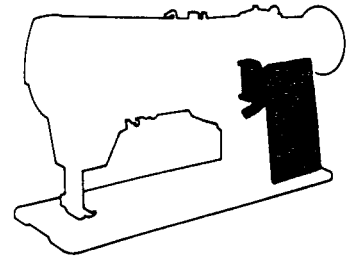


000160-850	NEEDLE BAR YOKE CONNECTING LINK HINGE BEARING PINCH SCREW
001266-830	NEEDLE VIBRATING WORM WHEEL SET SCREW (4)
001664-850	NEEDLE VIBRATING CAM ROLLER STUD NUT
500127-850	NEEDLE VIBRATING ECCENTRIC SHAFT BUSHING (BACK) SCREW
500248-001	ARM PLUG SCREW
500301-850	NEEDLE VIBRATING WORM GEAR SCREW (2)
500301-850	NEEDLE VIBRATING CAM SCREW (2)
500303-869	NEEDLE VIBRATING CAM SHAFT BUSHING (FRONT) SET SCREW
502577	NEEDLE VIBRATING CAM SHAFT BUSHING (FRONT) SET SCREW PLUG
502616	NEEDLE BAR YOKE CONNECTING LINK HINGE BEARING WITH 160
502751	NEEDLE VIBRATING CAM SHAFT BUSHING (BACK) PLUG
502757	NEEDLE BAR YOKE CONNECTING LINK HINGE BEARING BUSHING (2)
502760	NEEDLE VIBRATING CAM SHAFT BUSHING (FRONT) PLUG
502785	NEEDLE BAR YOKE CONNECTING LINK HINGE BEARING STUD
502802	NEEDLE BAR YOKE CONNECTING LINK HINGE BEARING STUD SNAP RING (2)
502817	NEEDLE BAR YOKE CONNECTING LINK HINGE BEARING WITH 502616 AND TWO 502757

502825	NEEDLE VIBRATING CAM SHAFT BUSHING (FRONT)
502907	NEEDLE VIBRATING ECCENTRIC SHAFT BUSHING (BACK) GASKET RING
502956	NEEDLE BAR YOKE CONNECTING LINK CPL. 1664, 502785, 502963, 502817, 502957, 502959, 502961, 502962, 502990, AND TWO EACH 502802, 502958, 502960, 502963 AND 502964
502957	NEEDLE BAR YOKE CONNECTING LINK
502958	NEEDLE BAR YOKE CONNECTING LINK SNAP RING (2)
502959	NEEDLE VIBRATING CAM ROLLER GUIDE
502960	NEEDLE VIBRATING CAM ROLLER (2)
502961	NEEDLE VIBRATING CAM ROLLER STUD SPRING WASHER
502962	NEEDLE VIBRATING CAM ROLLER STUD
502963	NEEDLE VIBRATING CAM ROLLER STUD WASHER
502964	NEEDLE VIBRATING CAM ROLLER NEEDLE BEARING CAGE (2)
502966	NEEDLE VIBRATING CAM SHAFT SLIDE BLOCK
502968	NEEDLE VIBRATING CAM SHAFT
502969	NEEDLE VIBRATING CAM WITH TWO 500301
502990	NEEDLE VIBRATING CAM ROLLER SPRING WASHER
502991	ARM PLUG SCREW GASKET RING
508513	PAIR OF NEEDLE VIBRATING WORM AND NEEDLE VIBRATING WORM WHEEL WITH TWO 500301 AND FOUR 1266
509050	NEEDLE VIBRATING ECCENTRIC SHAFT BUSHING (BACK) SPACER
509051	NEEDLE VIBRATING ECCENTRIC SHAFT BUSHING (BACK)

PART NO. DESCRIPTION

PART NO. DESCRIPTION



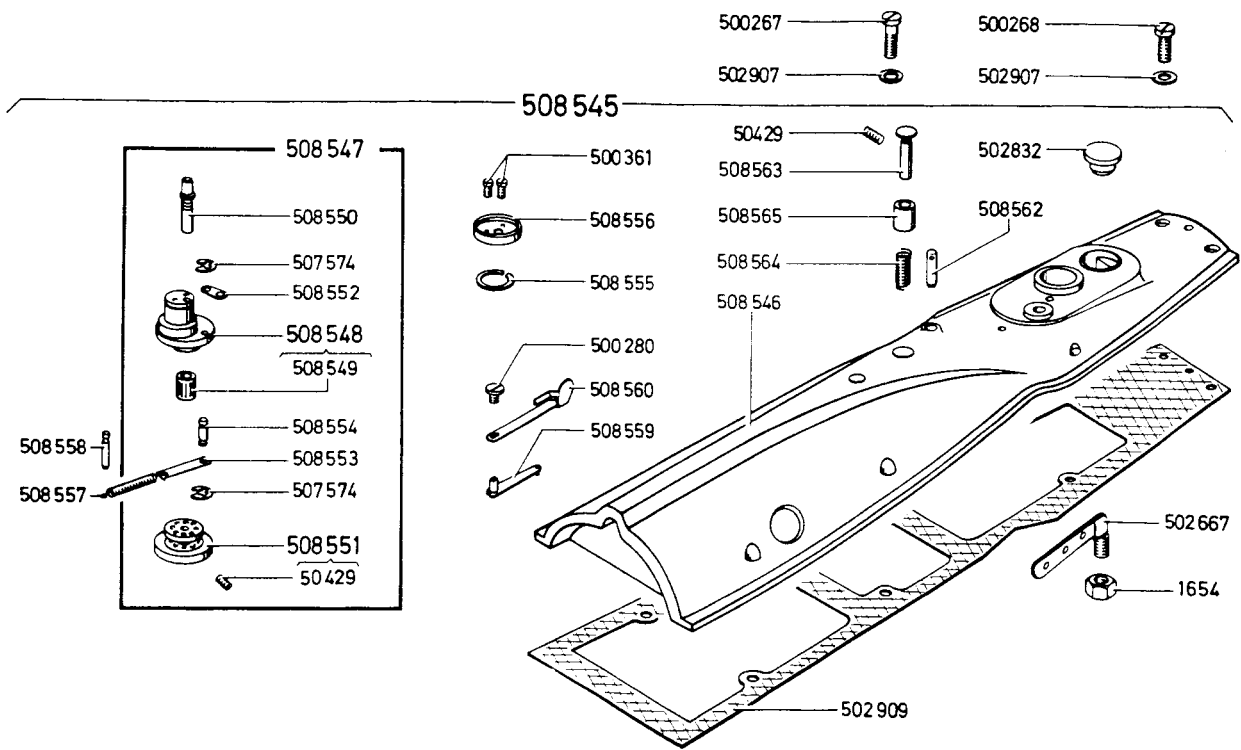
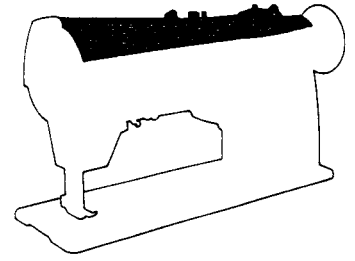
000160-850 NEEDLE POSITION ADJUSTING CAM SLIDING BLOCK  
BRACKET SCREW (2)  
000160-850 ARM COVER (FRONT) SCREW (3)  
000624-833 NEEDLE BAR YOKE CONNECTING LINK CARRIER FRAME  
SLIDE STUD SET SCREW (2)  
500067-833 NEEDLE POSITION ADJUSTING CAM STOP SCREW SET  
SCREW (2)  
500296-833 NEEDLE POSITION ADJUSTING CAM REGULATING STUD  
SET SCREW  
500299-805 NEEDLE POSITION ADJUSTING CAM STOP SCREW (2)  
500302-803 NEEDLE BAR YOKE CONNECTING LINK CARRIER FRAME  
BUSHING SET SCREW (2)  
502770 ARM COVER (FRONT) GASKET  
502772 NEEDLE POSITION ADJUSTING CAM REGULATING STUD

502850 NEEDLE BAR YOKE CONNECTING LINK SLIDE BEARING  
502857 NEEDLE BAR YOKE CONNECTING LINK CARRIER FRAME  
SLIDE STUD  
502858 NEEDLE BAR YOKE CONNECTING LINK CARRIER FRAME  
SLIDE STUD OIL WICK  
502907 ARM COVER (BACK) SCREW RING (4)  
502951-850 NEEDLE POSITION ADJUSTING CAM SET SCREW  
502977 NEEDLE POSITION ADJUSTING CAM SLIDE BLOCK  
BRACKET WITH 502974  
502984 ARM COVER (FRONT)  
509005 NEEDLE BAR YOKE CONNECTING LINK CARRIER FRAME  
CPL. NOS. 502850, 502857, 509006 AND TWO 624  
509006 NEEDLE BAR YOKE CONNECTING LINK CARRIER FRAME  
509007 NEEDLE POSITION ADJUSTING LEVER

PART NO. DESCRIPTION

PART NO. DESCRIPTION



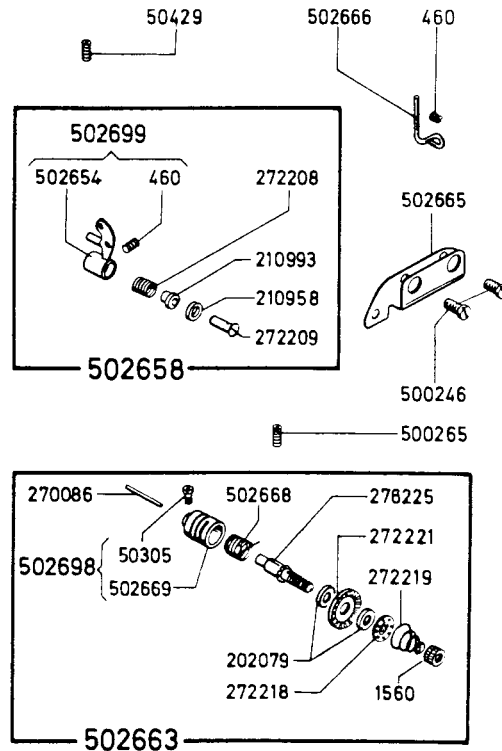
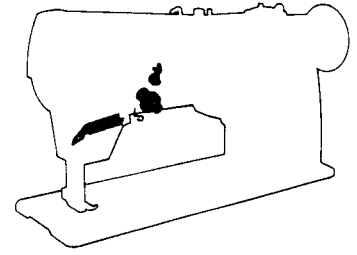


001654-850	THREAD RETAINER LOCK NUT
050429-833	BOBBIN WINDER SHAFT FRICTION WHEEL PIN (2)
050429-833	ARM COVER (TOP) THREAD TENSION STUD PIN
500267-850	ARM COVER (TOP) SCREW (LONG) (2)
500268-850	ARM COVER (TOP) SCREW (SHORT) (2)
500280-850	ARM (TOP) TRIP LEVER FASTENING SCREW
500361-850	BOBBIN WINDER SHAFT BUSHING (ECCENTRIC) THREAD GUARD FASTENING SCREW (2)
502667	THREAD RETAINER
502832	ARM COVER (TOP) PLUG
502907	ARM COVER (TOP) SCREW (LONG AND SHORT) (4)
502909	ARM COVER (TOP) GASKET
507574	BOBBIN WINDER SHAFT BUSHING (ECCENTRIC) LINK STUD LOCKING WASHER (2)
508545	ARM COVER (TOP) WITH BOBBIN WINDER CPL. NOS. 50429, 500280, 502832, 508546, 508555, TO 508560, 508562 TO 508565 TWO EACH 500361, 508561, 502667, 1654 AND 508547
508546	ARM COVER (TOP)
508547	BOBBIN WINDER SHAFT BUSHING (ECCENTRIC) WITH FRICTION WHEEL CPL. NOS. 508548, 508550 TO 508554, TWO 507574

508548	BOBBIN WINDER SHAFT BUSHING (ECCENTRIC) WITH 508549
508549	BOBBIN WINDER SHAFT BUSHING (ECCENTRIC) ROLLER CLUTCH
508550	BOBBIN WINDER SHAFT
508551	BOBBIN WINDER SHAFT FRICTION WHEEL WITH TWO 50429
508552	BOBBIN WINDER SHAFT BUSHING (ECCENTRIC)
508553	BOBBIN WINDER SHAFT BUSHING (ECCENTRIC) SPRING SHACKLE
508554	BOBBIN WINDER SHAFT BUSHING (ECCENTRIC) LINK STUD
508555	BOBBIN WINDER SHAFT BUSHING (ECCENTRIC) SNAP RING
508556	BOBBIN WINDER SHAFT BUSHING (ECCENTRIC) THREAD GUARD
508557	BOBBIN WINDER SHAFT BUSHING (ECCENTRIC) COIL SPRING
508558	BOBBIN WINDER SHAFT BUSHING (ECCENTRIC) COIL SPRING STUD
508559	ARM COVER (TOP) ROCKING LEVER
508560	ARM COVER (TOP) TRIP LEVER
508562	ARM COVER (TOP) THREAD GUIDE STUD
508563	ARM COVER (TOP) THREAD TENSION STUD
508564	ARM COVER (TOP) THREAD TENSION STUD SPRING
508565	ARM COVER (TOP) THREAD TENSION STUD DISC

PART NO. DESCRIPTION

PART NO. DESCRIPTION



000460-833  
000460-833  
001560-850  
050305-850  
050429-833  
202079  
210958  
210993  
270086  
272208  
272209  
272218  
272219  
272221

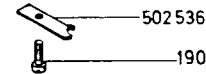
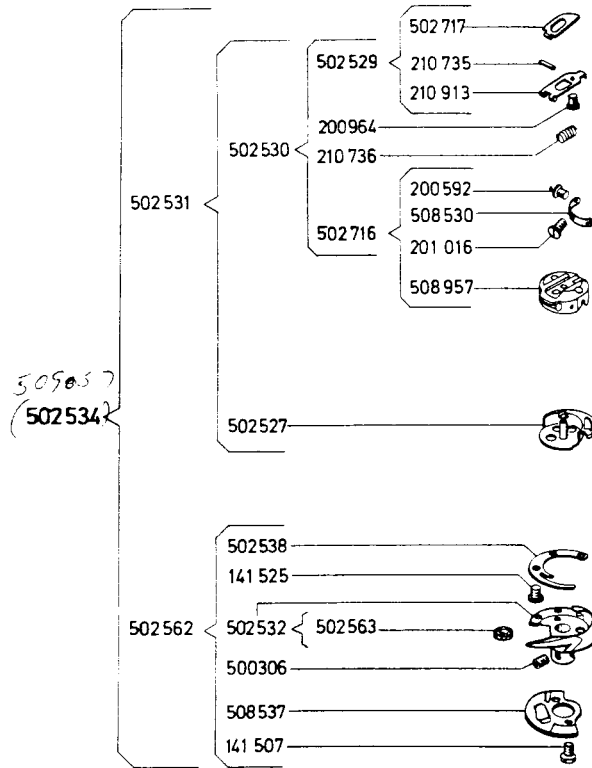
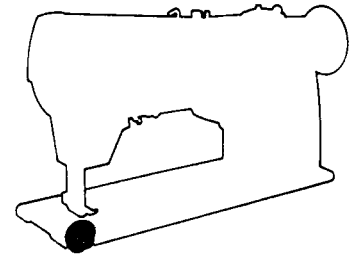
THREAD PULL OFF SET SCREW  
PRETENSION BRACKET SCREW  
TENSION THUMB NUT  
TENSION STUD SET SCREW  
PRETENSION BRACKET SCREW  
TENSION FELT WASHER (2)  
PRETENSION BRACKET COLLAR  
PRETENSION BRACKET SLEEVE  
TENSION RELEASING PIN  
PRETENSION BRACKET SPRING  
PRETENSION BRACKET STUD  
TENSION RELEASING DISC  
TENSION SPRING  
TENSION WHEEL

276225  
500246-850  
500265-833  
502654  
502658  
  
502663  
  
502665  
502666  
502668  
502669  
502698  
502699

TENSION STUD  
THREAD GUIDE SCREW (2)  
THREAD REGULATOR SET SCREW  
PRETENSION BRACKET  
PRETENSION BRACKET CPL. NOS. 210958, 210993, 272208,  
272209 AND 502699  
  
TENSION CPL. NOS. 1560, 270086, 272218, 272219, 272221,  
276225, 502668, 502698 AND TWO 202079  
  
THREAD GUIDE  
THREAD PULL OFF  
THREAD TAKE-UP SPRING  
THREAD TAKE-UP SPRING REGULATOR  
THREAD TAKE-UP SPRING REGULATOR 502669 WITH 50305  
PRETENSION BRACKET WITH 460 AND 502654

PART NO. DESCRIPTION

PART NO. DESCRIPTION

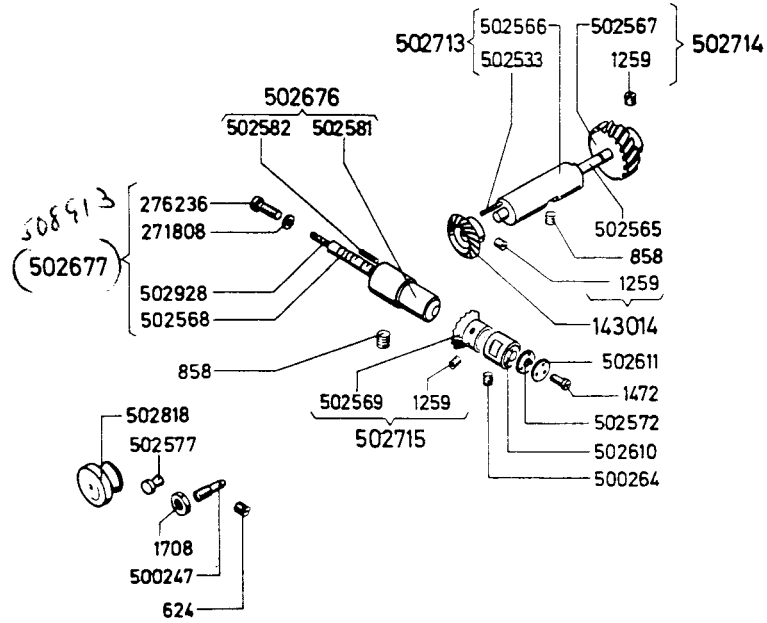
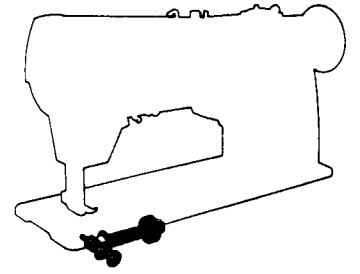


000190-850 BOBBIN CASE STOP SCREW  
 141507-803 HOOK NEEDLE GUARD AND COUNTERBALANCE SCREW  
 141525-806 HOOK GIB SCREW (3)  
 200592-803 BOBBIN CASE CAP TENSION SPRING SCREW  
 200964-803 BOBBIN CASE LATCH STOP SCREW  
 201016-803 BOBBIN CASE CAP TENSION SPRING REGULATING SCREW  
 210735 BOBBIN CASE FULCRUM PIN  
 210736 BOBBIN CASE LATCH SPRING  
 210913 BOBBIN CASE LATCH  
 233028 BOBBIN  
 500306-869 HOOK SET SCREW (2)  
 502527 BOBBIN CASE BASE  
 502529 BOBBIN CASE LATCH CPL. NOS. 210735, 210913 AND 502717

502530 BOBBIN CASE CAP CPL. NOS. 200964, 210736, 502529 AND 502716  
 502531 BOBBIN CASE CAP CPL. NOS. 502527 AND 502530  
 502532 HOOK BODY WITH 502563  
 502534 HOOK AND BOBBIN CASE CPL. NOS. 502531 AND 502562  
 502536 BOBBIN CASE STOP  
 502538 HOOK GIB  
 502562 HOOK CPL. NOS. 141507, 502532, 502538, 508537, TWO 500306 AND THREE 141525  
 502563 HOOK OIL RETAINING WASHER  
 502716 BOBBIN CASE CAP CPL. NOS. 508957, 508530, 200592 AND 201016  
 502717 BOBBIN CASE LATCH LEVER  
 508530 BOBBIN CASE TENSION SPRING  
 508537 HOOK NEEDLE GUARD AND COUNTERBALANCE  
 508957 BOBBIN CASE CAP

PART NO. DESCRIPTION

PART NO. DESCRIPTION

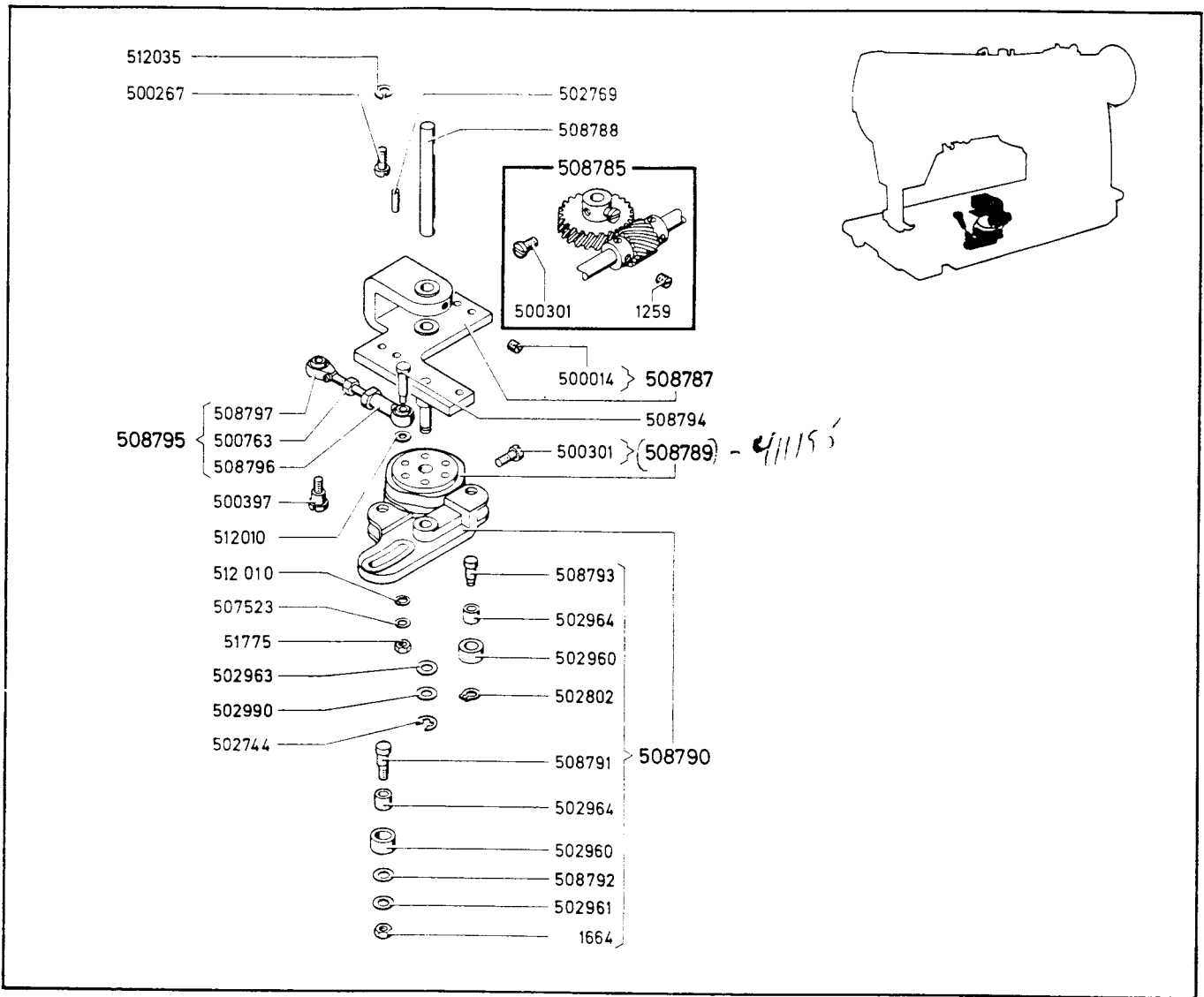


000624-833	HOOK OIL BYPASS PLUG SCREW
000858-833	HOOK DRIVING SHAFT BUSHING SET SCREW
000858-833	HOOK SHAFT PRESSURE BUSHING SET SCREW
001259-830	HOOK DRIVING SHAFT HELICAL GEAR SET SCREW (2)
001259-830	HOOK DRIVING SHAFT BEVEL GEAR SET SCREW (2)
001259-830	HOOK SHAFT BEVEL GEAR SET SCREW (2)
001472-850	HOOK SHAFT BUSHING (FRONT) SET SCREW (3)
001708-850	HOOK OIL BYPASS PLUG SCREW NUT
143014	HOOK DRIVING SHAFT BEVEL GEAR WITH TWO 1259
271808	HOOK SHAFT OIL FILTER WICK HOLDER SEAL
276236-803	HOOK SHAFT OIL WICK HOLDER
500247-833	HOOK OIL REGULATING SCREW
500264-830	HOOK SHAFT FRONT SET SCREW
502533	HOOK DRIVING SHAFT BUSHING OIL WICK
502565	HOOK DRIVING SHAFT
502566	HOOK DRIVING SHAFT BUSHING
502567	HOOK DRIVING SHAFT HELICAL GEAR
502568	HOOK SHAFT

502569	HOOK SHAFT BEVEL GEAR
502572	HOOK SHAFT BUSHING CAP GASKET
502577	HOOK SHAFT GEAR BOX PLUG
502581	HOOK SHAFT PRESSURE BUSHING
502582	HOOK SHAFT PRESSURE BUSHING OIL WICK
502610	HOOK SHAFT BUSHING (FRONT)
502611	HOOK SHAFT BUSHING CAP
502676	HOOK SHAFT PRESSURE BUSHING 502581 WITH 502582
502677	HOOK SHAFT FILTER CPL. NOS. 271808, 276236, 502568, 502928
502713	HOOK DRIVING SHAFT BUSHING WITH 502533 AND 502566
502714	HOOK DRIVING SHAFT HELICAL GEAR 502567 WITH TWO 1259
502715	HOOK SHAFT BEVEL GEAR 502569 WITH TWO 1259
502818	HOOK GEAR BOX VENT CAP
502928	HOOK SHAFT OIL FILTER FELT (WICK)

PART NO. DESCRIPTION

PART NO. DESCRIPTION

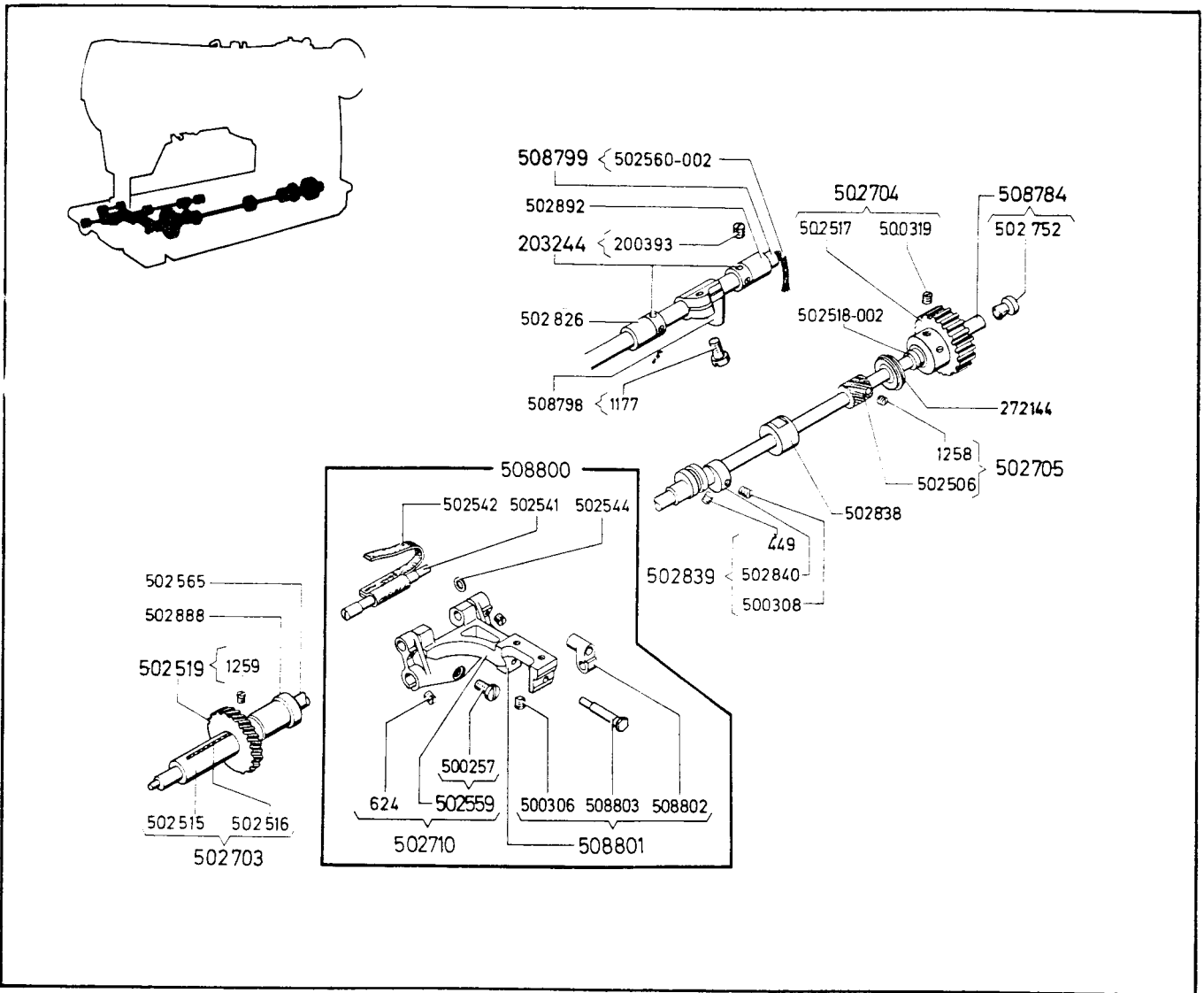


001259-830	FEED CONTROL CAM WHEEL AND WORM GEAR
001664-850	FEED CONTROL CAM FOLLOWER ARM RETAINING NUT
051775-850	FEED CONTROL CONNECTION CRANK ADJUSTING LOCK NUT
500014-850	FEED CONTROL CAM MOUNTING BRACKET BUSHING SET SCREW
500267-850	FEED CONTROL CAM MOUNTING BRACKET SCREW (3)
500301-850	FEED CONTROL CAM SET SCREW (2)
500301-850	FEED CONTROL CAM WORM WHEEL AND WORM GEAR SCREW (2)
500397-805	FEED CONTROL CONNECTION HINGE SCREW
500763-805	FEED CONTROL CONNECTION LOCK NUT
502744	FEED CONTROL CAM FOLLOWER ARM RETAINING RING
502769	FEED CONTROL CAM MOUNTING BRACKET POSITION PIN (2)
502802	FEED CONTROL CAM FOLLOWER ARM HINGE PIN RETAINING RING
502960	FEED CONTROL CAM FOLLOWER (2)
502961	FEED CONTROL CAM FOLLOWER BELLEVILLE WASHER
502963	FEED CONTROL CAM FOLLOWER ARM WASHER
502964	FEED CONTROL CAM FOLLOWER ARM NEEDLE BEARING (2)
502990	FEED CONTROL CAM FOLLOWER ARM BELLEVILLE WASHER

507523	FEED CONTROL CONNECTION ADJUSTING SCREW
508785	BELLEVILLE WASHER
508785	FEED CONTROL CAM WORM WHEEL AND WORM GEAR CPL. NOS. 1259 AND 500301
508787	FEED CONTROL CAM MOUNTING BRACKET WITH 500014
508788	FEED CONTROL CAM SHAFT
508789	FEED CONTROL CAM WITH 500301
508790	FEED CONTROL CAM FOLLOWER CPL. NOS. 1664, 502802, 502960, 502961, 502964, 508791, 508792 AND 508793
508791	FEED CONTROL CAM FOLLOWER ARM HINGE SCREW
508792	FEED CONTROL CAM FOLLOWER ARM HINGE SCREW WASHER
508793	FEED CONTROL CAM FOLLOWER ARM HINGE PIN
508794	FEED CONTROL CONNECTION ADJUSTING SCREW
508795	FEED CONTROL CONNECTION CPL. NOS. 500763, 508796 AND 508797
508796	FEED CONTROL CONNECTION BALL JOINT (FEMALE)
508797	FEED CONTROL CONNECTION BALL JOINT (MALE)
512010	FEED CONTROL CAM FOLLOWER ARM WASHER (2)
512035	FEED CONTROL CAM MOUNTING BRACKET SCREW LOCK WASHER (3)

PART NO. DESCRIPTION

PART NO. DESCRIPTION

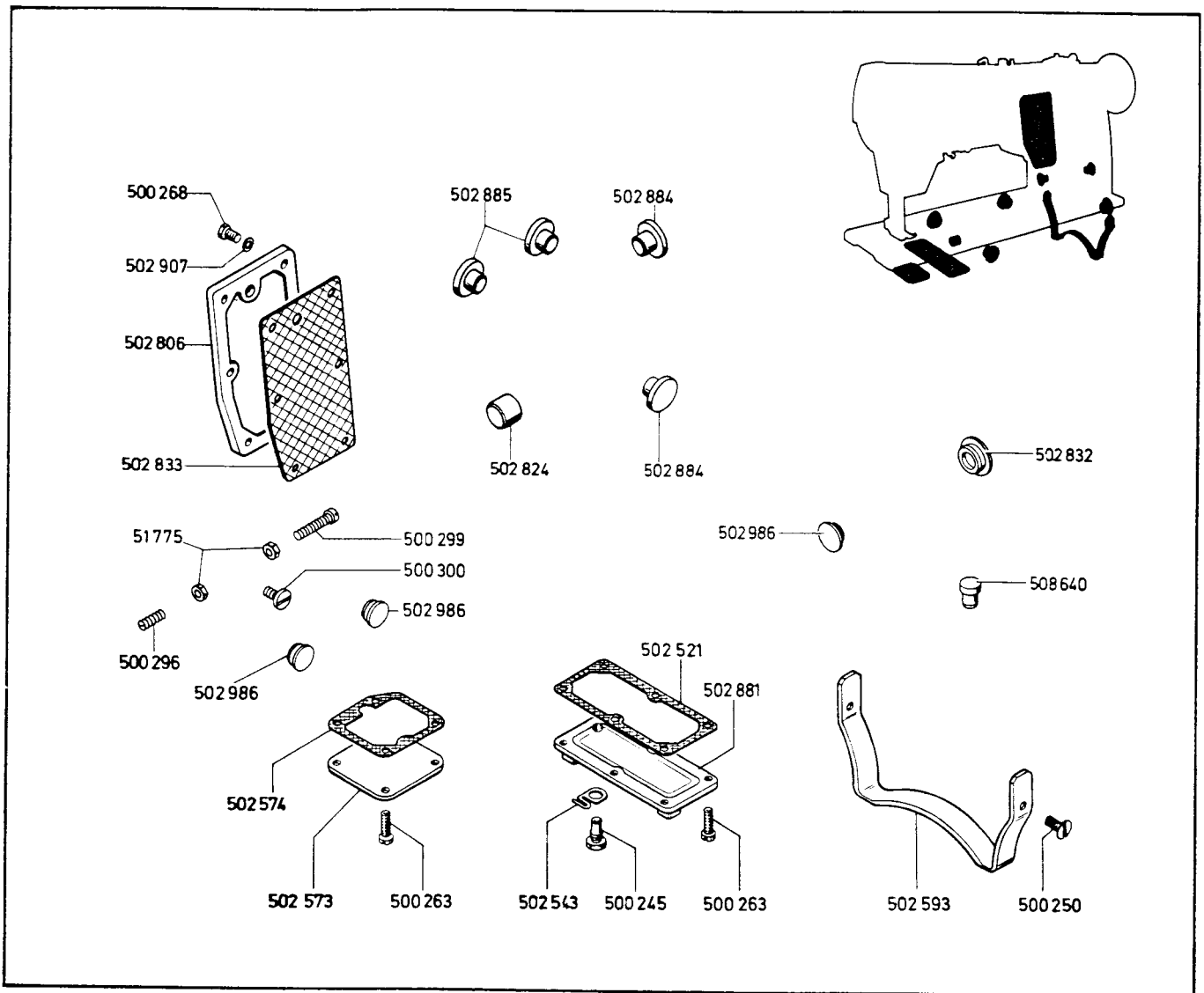


- 000449-830 FEED DRIVING ECCENTRIC SET SCREW
- 000624-833 FEED BAR HINGE PIN SET SCREW
- 001177-850 FEED CONTROL CONNECTION CRANK PINCH SCREW
- 001258-830 OIL PUMP DRIVING GEAR SET SCREW (2)
- 001259-830 BED SHAFT GEAR SET SCREW (2)
- 200393-833 FEED DRIVING ROCK SHAFT COLLAR SET SCREW (4)
- 203244 FEED DRIVING ROCK SHAFT COLLAR (2) WITH TWO EACH 200393
  
- 272144 BED SHAFT BALL BEARING
- 500257-850 FEED DRIVING ROCK SHAFT CRANK PINCH SCREW
- 500306-869 FEED BAR LIFTING LINK HINGE PIN PINCH SCREW
- 500308-830 FEED DRIVING ECCENTRIC POSITION SCREW
- 500319-830 BED CONNECTION BELT PULLEY SET SCREW (2)
- 502506 OIL PUMP DRIVING GEAR
- 502515 BED SHAFT BUSHING (FRONT)
- 502516 BED SHAFT BUSHING OIL WICK
- 502517 BED CONNECTION BELT PULLEY
- 502518-002 BED CONNECTION BELT PULLEY SPACER
- 502519 BED SHAFT GEAR WITH TWO 1259
- 502541 FEED BAR HINGE PIN
- 502542 FEED BAR HINGE PIN OILING FELT
- 502544 FEED BAR HINGE PIN THRUST WASHER (2)

- 502559 FEED DRIVING ROCK SHAFT CRANK WITH 500257
- 502560-002 FEED DRIVING ROCK SHAFT OIL WICK
- 502565 HOOK DRIVING SHAFT
- 502703 BED SHAFT BUSHING (FRONT) 502515 WITH 502516
- 502704 BED CONNECTION BELT PULLEY WITH 502517 AND TWO 500319
  
- 502705 OIL PUMP DRIVING GEAR WITH 502506 AND TWO 1258
- 502710 FEED DRIVING ROCK SHAFT CRANK 624 AND 502559
- 502752 HOOK SHAFT BUSHING CAP GASKET
- 502826 FEED DRIVING ROCK SHAFT BUSHING (RIGHT)
- 502838 BED SHAFT BUSHING (BACK)
- 502839 FEED DRIVING ECCENTRIC WITH 449, 500308 AND 502840
- 502840 FEED DRIVING ECCENTRIC
- 502892 FEED DRIVING ROCK SHAFT BUSHING (CENTER)
- 508779 FEED DRIVING ROCK SHAFT WITH 502560-002
- 508784 BED SHAFT WITH 502752
- 508798 FEED CONTROL CONNECTION CRANK WITH 1177
- 508800 FEED DRIVING ROCK SHAFT CRANK CPL. NOS. 502541, 502542, TWO 502544, 502710 AND 508801
  
- 508801 FEED BAR WITH 500306, 508802 AND 508803
- 508802 FEED BAR LIFTING BLOCK
- 508803 FEED BAR LIFTING BLOCK ECCENTRIC PIN
- 502888 BED SHAFT BUSHING (CENTER)

PART NO. DESCRIPTION

PART NO. DESCRIPTION

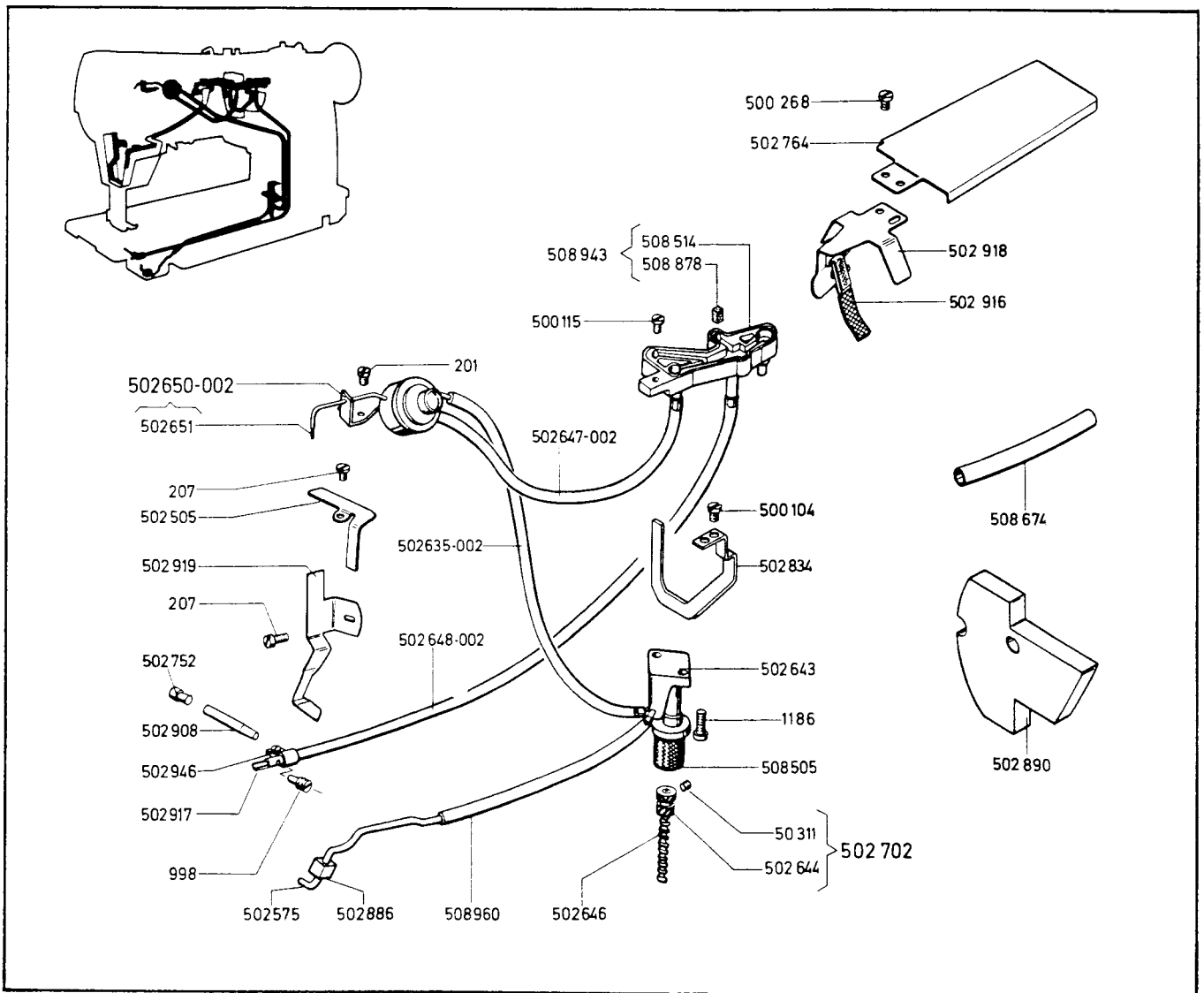


051775-850 ARM OIL SEAL SCREW LOCK NUT (2)  
 500245-805 BED SHAFT GEAR BOX OVERFLOW AND DRAIN PLUG SCREW  
 500250-850 MACHINE LEG SCREW (2)  
 500263-850 HOOK SHAFT GEAR BOX COVER SCREW (4)  
 500263-850 BED SHAFT GEAR BOX COVER SCREW (6)  
 500268-850 ARM COVER (BACK) SCREW (6)  
 500296-833 ARM OIL SEAL SCREW (LEFT)  
 500299-850 ARM OIL SEAL SCREW (RIGHT)  
 500300-850 ARM OIL SEAL SCREW (FRONT)  
 502521 BED SHAFT GEAR BOX GASKET  
 502543 FEED BAR HINGE PIN OILING FELT CLAMP  
 502573 HOOK SHAFT GEAR BOX COVER  
 502574 HOOK SHAFT GEAR BOX COVER GASKET

502593 MACHINE LEG (REAR)  
 502806 ARM COVER (BACK)  
 502824 HOOK DRIVING SHAFT PLUG (FOR UN-USED BED HOLE)  
 502832 FEED REGULATING SHAFT PLUG (FOR UN-USED HOLE)  
 502833 ARM COVER (BACK) GASKET  
 502881 BED SHAFT GEAR BOX COVER  
 502884 BED SPACER (FRONT AND REAR SIDE ) (2)  
 502885 BED SPACER (REAR) (2)  
 502907 ARM COVER (BACK) SCREW GASKET RING (6)  
 502986 FEED REGULATING SHAFT PLUG  
 502986 ARM OIL SEAL PLUG (2)  
 508640 MACHINE PLUG

PART NO. DESCRIPTION

PART NO. DESCRIPTION



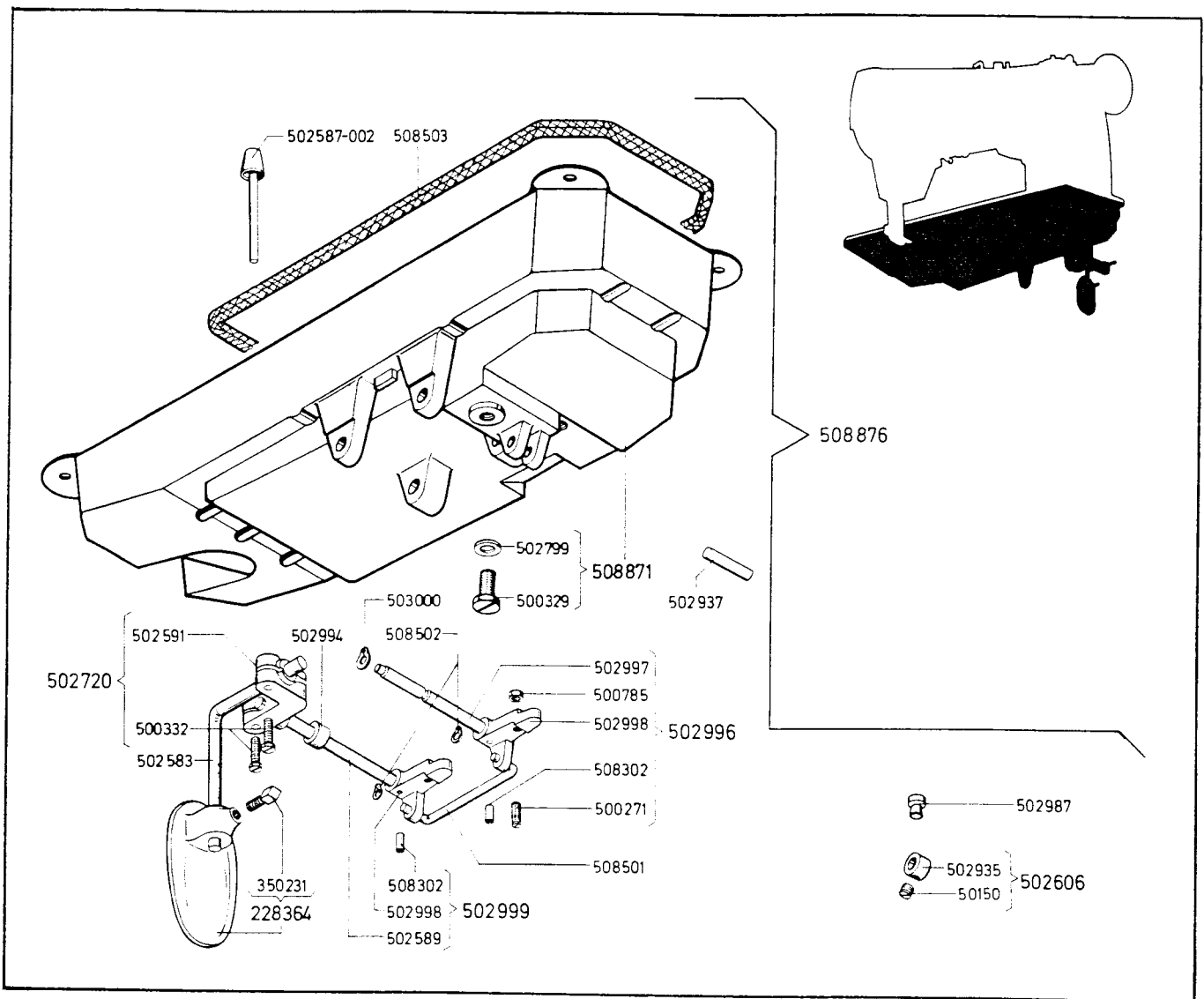
000201-850	OIL SIGHT BODY SCREW (2)
000207-803	ARM HEAD OIL DRAIN WICK CLAMP SCREW (2)
000998-833	OIL RETURN TUBE SCREW
001186-850	OIL PUMP MOUNTING SCREW (2)
050311-830	OIL PUMP GEAR SET SCREW (2)
500104-850	ARM OIL SHIELD (AERETED PLASTIC) RETAINER SCREW (2)
500115-850	OIL DISTRIBUTOR PLATE SCREW
500268-850	OIL GUARD SCREW (2)
502505	ARM HEAD OIL DRAIN WICK CLAMP (FRONT)
502575	HOOK SHAFT GEAR BOX OIL PIPE
502635-002	OIL DELIVERY TUBE
502643	OIL PUMP BODY
502644	OIL PUMP GEAR
502646	OIL PUMP SCREW SHAFT
502647-002	OIL RETURN TUBE (UPPER) (SHORT)
502648-002	OIL RETURN TUBE (LOWER) (LONG)
502650-002	OIL SIGHT BODY WITH 502651
502651	OIL SIGHT WICK
502702	OIL PUMP GEAR WITH 502644 AND TWO 50311

502752	BED SHAFT BUSHING (CENTER) OIL TUBE PLUG
502764	OIL GUARD
502834	ARM OIL SHIELD (AERETED PLASTIC) RETAINER
502886	HOOK SHAFT GEAR BOX OIL PIPE HOLDER
502890	ARM OIL SHIELD (AERETED PLASTIC)
502908	BED SHAFT BUSHING (CENTER) OIL TUBE
502916	ARM HEAD OIL DRAIN WICK
502917	OIL RETURN TUBE
502918	ARM HEAD OIL DRAIN WICK CLAMP (UPPER)
502919	ARM HEAD OIL DRAIN WICK CLAMP (BACK)
502946	OIL RETURN TUBE (LOWER) (LONG) CLAMP
508505	OIL FILTER WITH OIL FILTER MOUNTING SUPPORT
508514	OIL DISTRIBUTOR PLATE
508674	ARM HEAD OIL DRAIN WICK GUARD
508878	FOAM PAD
508943	OIL DISTRIBUTOR PLATE WITH FOAM PAD
508960	HOOK SHAFT GEAR BOX OIL PIPE

PART NO. DESCRIPTION

PART NO. DESCRIPTION





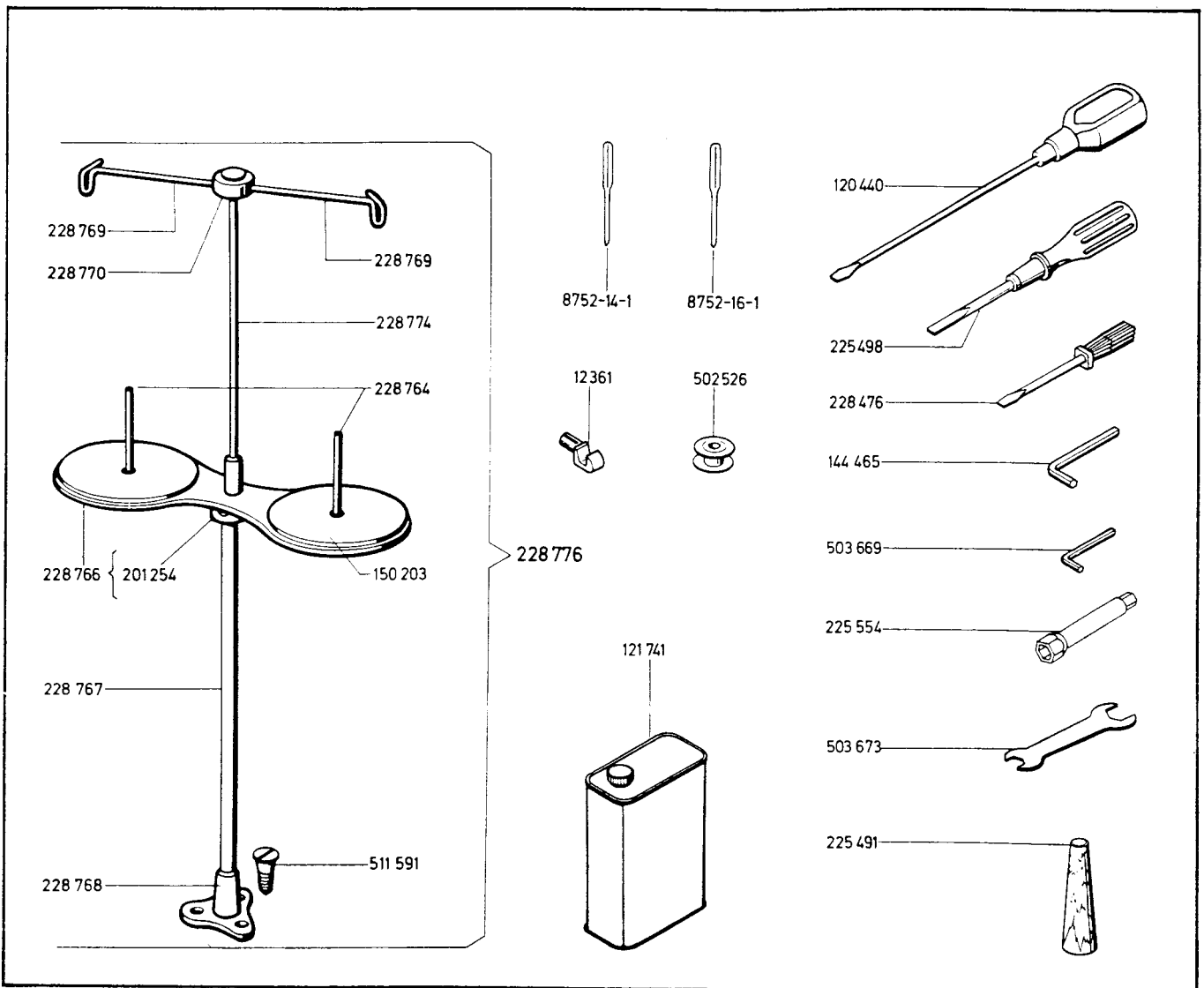
## Accessories

050150-833	FEED REVERSING FOOT CONTROL LEVER
228364	KNEE LIFTER KNEE PLATE WITH 350251
350231-850	KNEE LIFTER KNEE PLATE SET SCREW
500271-833	KNEE LIFTER CONTROL SHAFT CRANK STOP SCREW
500329-850	MACHINE BASE AND OIL RESERVOIR PLUG SCREW
500332-850	KNEE LIFTER SHAFT HUB PINCH SCREW (2)
500785-850	KNEE LIFTER CONTROL SHAFT CRANK STOP SCREW NUT
502583	KNEE LIFTER KNEE PLATE ARM
502587-002	KNEE LIFTER PLUNGER
502589	KNEE LIFTER ROCK SHAFT
502591	KNEE LIFTER ROCK SHAFT HUB
502606	FEED FOOT CONTROL LEVER PIN COLLAR 502935 WITH 50150
502720	KNEE LIFTER ROCK SHAFT HUB 502591 WITH TWO 500332
502799	MACHINE BASE AND OIL RESERVOIR DRAIN PLUG SCREW GASKET
502935	FEED REVERSING FOOT CONTROL LEVER PIN COLLAR
502937	FEED REVERSING FOOT CONTROL LEVER PIN
502987	FEED REVERSING PLUNGER HOLE PLUG (FOR UN-USED HOLE)

502994	KNEE LIFTER ROCK SHAFT SPACER
502996	KNEE LIFTER CONTROL SHAFT CPL. NOS. 500271, 500785, 502997, 502998 AND 508302
502997	KNEE LIFTER CONTROL SHAFT
502998	KNEE LIFTER ROCK SHAFT CRANK
502998	KNEE LIFTER CONTROL SHAFT CRANK
502999	KNEE LIFTER ROCK SHAFT CPL. NOS. 502589, 502998 AND 508302
503000	KNEE LIFTER CONTROL SHAFT GRIP RING
508302	KNEE LIFTER CONTROL SHAFT CRANK PIN (2)
508501	KNEE LIFTER ROCK SHAFT CONNECTION
508502	KNEE LIFTER ROCK SHAFT CONNECTION GRIP RING (2)
508503	MACHINE BASE AND OIL RESERVOIR GASKET
508871	MACHINE BASE AND OIL RESERVOIR WITH 500329 AND 502799
508876	MACHINE BASE OIL RESERVOIR WITH KNEE LIFTER CPL. NOS. 228364, 502587-002, 502583, 502606, 502720, 508871, 502937, 502994, 502996, 508501, 508503, 502999, 503000, 502987 AND TWO 508502

PART NO. DESCRIPTION

PART NO. DESCRIPTION



## Accessories

008752-14-1	NEEDLE (2)	228766	THREAD UNWINDER SPOOL REST WITH 201254
008752-16-1	NEEDLE (3)	228767	THREAD UNWINDER SPOOL REST ROD
012361	MACHINE HINGE CONNECTION (2)	228768	THREAD UNWINDER SPOOL STAND
120440	SCREW DRIVER	228769	THREAD UNWINDER THREAD GUIDE (2)
121741	ONE QUART CAN FILLED WITH LIGHT GRADE OIL	228770	THREAD UNWINDER THREAD GUIDE HOLDER
144465	WRENCH (1/8 INCH HEXAGON)	228774	THREAD UNWINDER THREAD GUIDE ROD
150203	THREAD UNWINDER SPOOL REST CUSHION (FELT) (2)	228776	THREAD UNWINDER CPL. NOS. (FOR TWO SPOOLS) 150203, 228764, 228766, 228767, 228769, 228770, 228774 AND THREE 511591
201254-803	THREAD UNWINDER SPOOL REST SET SCREW	502526	BOBBIN (2)
225491	MACHINE REST PIN (WOOD)	503669	WRENCH (5/64 INCH HEXAGON)
225498	SCREW DRIVER	503673	WRENCH (25/64 INCH HEXAGON)
225498	SCREW DRIVER	511591-819	THREAD UNWINDER WOOD SCREW (7/8 INCH) (3)
225554	WRENCH		
228476	SCREW DRIVER (BOBBIN CASE)		
228764	THREAD UNWINDER SPOOL PIN (2)		

PART NO. DESCRIPTION

PART NO. DESCRIPTION

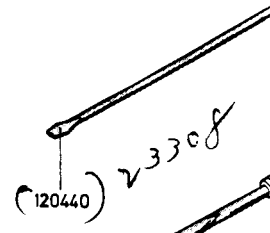
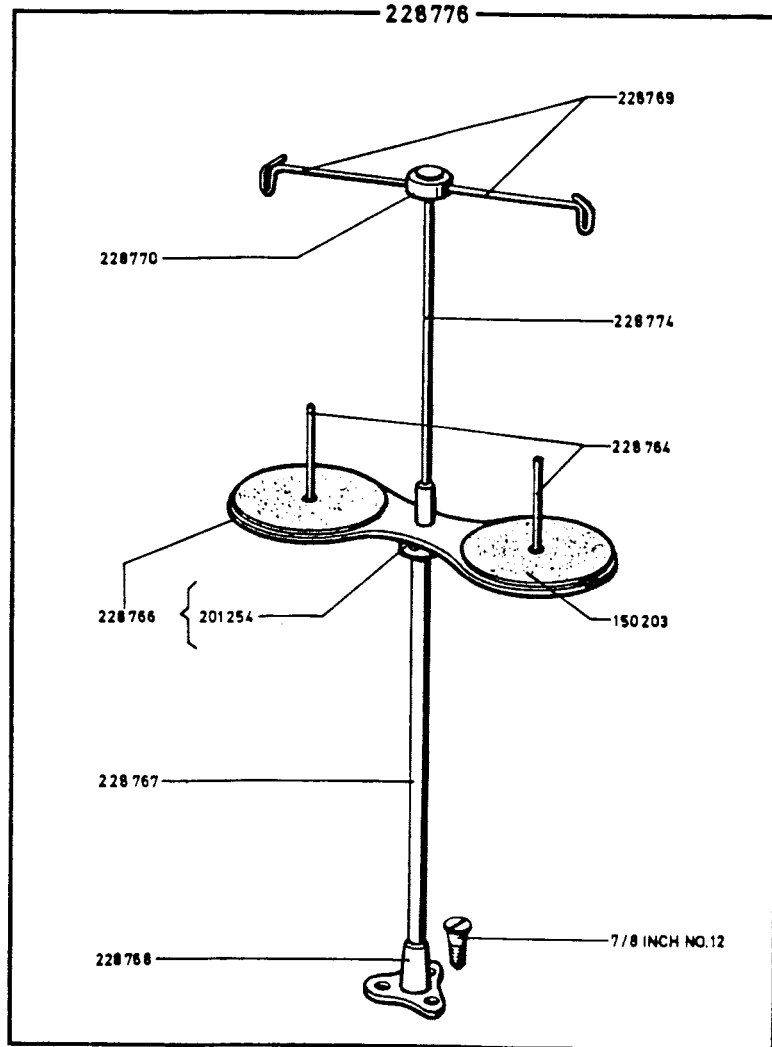
FOR CLASS 457 G 130 135 155 GX6		DESCRIPTION	FOR CLASS 457 G 130 135 155 GX6		DESCRIPTION	PART NO.
PART NO.			PART NO.			
502850	x x - x	NEEDLE BAR YOKE CONNECTING LINK SLIDE BEARING	502949	- x x x	FEED DRIVING CONNECTION CARRIER FRAME SPRING STUD	508503 508505
502850	x x x x	FEED DRIVING CONNECTION LEVER SLIDE BEARING	502951-850	x - - -	NEEDLE POSITION ADJUSTING CAM SET SCREW	508506 508507
502853	- x x x	FEED DRIVING CONNECTION CARRIER FRAME CPL. 51369, 502850, 502854, 502857, 502858 AND 502949	502952	x x - x	NEEDLE BAR YOKE CONNECTING LINK CARRIER FRAME CPL. 502850, 502857, 502953 AND TWO 624	508511
502854	x x x x	FEED DRIVING CONNECTION CARRIER FRAME	502953	x x - x	NEEDLE BAR YOKE CONNECTING LINK CARRIER FRAME	508513
502857	x x - x	NEEDLE BAR YOKE CONNECTING LINK CARRIER FRAME SLIDE STUD	502955	- x - -	ARM COVER (FRONT) 502989 WITH 502829 AND TWO 140753	
502857	x x x x	FEED DRIVING CONNECTION FRAME SLIDE STUD	502956	x x - x	NEEDLE BAR YOKE CONNECTING LINK CPL. 1664, 502785, 502817, 502957, 502959, 502961, 502962, 502963, 502990 AND TWO EACH 502802, 502958, 502960 AND 502964	508514 508518 508519 508520
502858	x x x x	FEED DRIVING CONNECTION LEVER SLIDE STUD OIL WICK	502957	x x - x	NEEDLE BAR YOKE CONNECTING LINK	
502859	x x x x	FEED DRIVING CONNECTION CARRIER FRAME BEARING STUD (LEFT)	502958	x x x x	NEEDLE BAR YOKE CONNECTING LINK SNAP RING (2)	508523
502860	x x x x	FEED DRIVING CONNECTION CARRIER FRAME BEARING STUD (RIGHT)	502959	x x x x	HOOK SHAFT SNAP RING	
502862	- x x x	FEED REGULATING CONNECTION SHAFT CRANK LINK	502959	x x - x	NEEDLE VIBRATING CAM ROLLER GUIDE	508524
502863	- x x x	FEED REGULATING CONNECTION SHAFT CRANK 502864 WITH 160	502960	x x - x	NEEDLE VIBRATING CAM ROLLER (2)	
502864	- x x x	FEED REGULATING CONNECTION SHAFT CRANK	502961	x x x x	NEEDLE VIBRATING CAM ROLLER STUD SPRING WASHER	508527 508530
502866	- x x x	FEED DRIVING CONNECTION CARRIER FRAME SPRING	502962	x x - x	NEEDLE VIBRATING CAM ROLLER STUD	508535
502867	- x x x	FEED DRIVING CONNECTION CARRIER FRAME SPRING STUD	502963	x x - x	NEEDLE VIBRATING CAM ROLLER STUD WASHER	508537 508538
502868	x x x x	FEED REGULATING CONNECTION SHAFT BUSHING	502964	x x x x	NEEDLE VIBRATING CAM ROLLER NEEDLE BEARING CAGE (2)	508539
502869	- x x x	FEED REGULATING CONNECTION SHAFT COLLAR 502873 WITH TWO 51334	502966	x x - x	NEEDLE VIBRATING CAM SHAFT SLIDE BLOCK	508540
502872	- x x x	FEED REGULATING CONNECTION SHAFT COLLAR	502967	x x x x	NEEDLE VIBRATING CAM SHAFT BUSHING 'BACK'	508541 508542
502873	- x x x	FEED REGULATING CONNECTION SHAFT COLLAR	502968	x x x x	NEEDLE VIBRATING CAM SHAFT	508543
502876	- x x x	FEED REGULATING SHAFT INDICATOR LEVER CONNECTING LINK	502969	x x - -	NEEDLE VIBRATING CAM WITH TWO 500301	
502878	- x x x	FEED REGULATING SHAFT WITH LEVER	502975	- x x x	FEED REGULATING SHAFT INDICATOR CPL. 129, 502876, 502976 AND 507063	508567
502879	x x x x	FEED DRIVING ROCK SHAFT WITH 502560-002 AND 502880	502976	- x x x	FEED REGULATING SHAFT INDICATOR LEVER	508568
502880	x x x x	FEED DRIVING ROCK SHAFT	502977	x x - x	NEEDLE POSITION ADJUSTING CAM SLIDE BLOCK BRACKET WITH 502974 AND TWO EACH 500067 AND 500298	
502881	x x x x	BED SHAFT GEAR BOX COVER	502979	- x x x	FEED REGULATING SHAFT SPACER	
502882	x x x x	MACHINE BASE AND OIL RESERVOIR WITH 500329 AND 502799	502980	x - - -	FEED DRIVING CONNECTION CARRIER FRAME COLLAR	
502883	x x x x	MACHINE BASE AND OIL RESERVOIR WITH KNEE LIFTER CPL. 228364, 502567-002, 502583, 502606, 502720, 502882, 502937, 502994, 502996, 508501, 508503, 503000 AND TWO 508502	502981	x - - -	FEED DRIVING CONNECTION CARRIER FRAME	
502884	x x x x	BED SPACER (FRONT AND REAR SIDE) (2)	502982-850	x - - -	FEED DRIVING CONNECTION CARRIER FRAME THUMB NUT	
502885	x x x x	BED SPACER (REAR) (2)	502983	x - - -	FEED DRIVING CONNECTION CARRIER FRAME STUD	
502886	x x x x	HOOK SHAFT GEAR BOX OIL PIPE HOLDER	502984	x - - -	ARM COVER (FRONT)	
502888	x x x x	BED SHAFT BUSHING (CENTER)	502985	x - - -	FEED DRIVING CONNECTION CARRIER FRAME CPL. 51369, 502850, 502854, 502857, 502858 AND 502983	
502890	x x x x	ARM OIL SHIELD (AERATED PLASTIC)	502986	x - - -	FEED REGULATING SHAFT PLUG	
502891	x x x x	SINGER LIGHT STUD HOLE SCREW PLUG GASKET	502987	x x x x	FEED REVERSING PLUNGER HOLE PLUG (FOR UN-USED HOLE)	
502892	x x x x	FEED DRIVING ROCK SHAFT BUSHING (CENTER)	502989	- x - -	ARM COVER (FRONT)	
502896	x x x x	NEEDLE BAR YOKE GUIDE (REAR)	502990	x x - x	NEEDLE VIBRATING CAM ROLLER SPRING WASHER	
502897	x x x x	NEEDLE BAR YOKE GUIDE (FRONT)	502991	x x x x	ARM PLUG SCREW GASKET RING	
502898	- - x -	NEEDLE VIBRATING ADJUSTING SHAFT CLAMPING BRACKET CPL. 690, 502922 AND 502923	502992	x x x x	ARM SHAFT BUSHING (CENTER) SCREW GASKET RING	
502907	x x x x	ARM COVER (BACK) SCREW GASKET RING (6)	502992	x x x x	KNEE LIFTER ROCK FRAME HINGE STUD LOCK SCREW GASKET RING	
502907	x x x x	ARM COVER (TOP) SCREW (LONG) GASKET RING (2)	502993	x x x x	NEEDLE BAR CPL. 223, 238 AND 502597	
502907	x x x x	ARM COVER (TOP) SCREW (SHORT) GASKET RING (2)	502994	x x x x	KNEE LIFTER ROCK SHAFT SPACER	
502907	x x x x	ARM COVER (FRONT) SCREW GASKET RING (3)	502996	x x x x	KNEE LIFTER CONTROL SHAFT CPL. 500271, 500765, 502997, 502998 AND 508302	
502907	- - x -	NEEDLE VIBRATING CAM SHAFT BUSHING (BACK) GASKET RING (2)	502997	x x x x	KNEE LIFTER CONTROL SHAFT	
502908	x x x x	BED SHAFT BUSHING (CENTER) OIL TUBE	502998	x x x x	KNEE LIFTER CONTROL SHAFT CRANK	
502909	x x x x	ARM COVER (TOP) GASKET	502998	x x x x	KNEE LIFTER ROCK SHAFT CRANK	
502914	x x x x	ARM HEAD OIL DRAIN WICK SLINGER CPL. 502915 AND TWO 500302	502999	x x x x	KNEE LIFTER ROCK SHAFT CPL. 502589, 502998 AND 508302	
502915	x x x x	ARM HEAD OIL DRAIN WICK SLINGER	503000	x x x x	KNEE LIFTER CONTROL SHAFT GRIP RING	
502916	x x x x	ARM HEAD OIL DRAIN WICK	503141	- - x -	NEEDLE VIBRATING CAM ROLLER STUD WASHER	
502917	x x x x	OIL RETURN TUBE	503595	x x x -	PRESSER FOOT (HINGED)	
502918	x x x x	ARM HEAD OIL DRAIN WICK CLAMP (UPPER)	503669	x x x x	WRENCH (5/64 INCH HEXAGON)	
502919	x x x x	ARM HEAD OIL DRAIN WICK CLAMP (BACK)	503673	x x x x	WRENCH (25/64 INCH HEXAGON)	
502920	x x x x	PRESSER BAR SPRING SCREW STUD GASKET	503682	x x x -	THROAT PLATE	
502922	- - x -	NEEDLE VIBRATING ADJUSTING SHAFT CLAMPING BRACKET (UPPER)	503683	x x - -	FEED DOG	
502923	- - x -	NEEDLE VIBRATING ADJUSTING SHAFT CLAMPING BRACKET (LOWER)	503686	- - x -	FEED DOG	
502926	x x x x	ARM SHAFT OIL SLINGER AND PINION SPACER WITH 460 AND 502511-002	503697	- - - x	PRESSER FOOT (HINGED)	
502927	x x x x	ARM SHAFT AND NEEDLE BAR CRANK PIN	503698	- - - x	THROAT PLATE	
502928	x x x x	HOOK SHAFT OIL FILTER FELT (WICK)	503699	- - - x	FEED DOG	
502930	x x x x	NEEDLE BAR YOKE GUIDE SET SCREW (2)	507063	x x x x	FEED DRIVING CONNECTION LEVER HINGE PIN RETAINER (4)	
502931	- x x x	FEED DRIVING CONNECTION CARRIER FRAME SPRING RETAINER	507063	- x x x	FEED REGULATING CONNECTION SHAFT CRANK LINK RETAINER	
502932	- x x x	FEED DRIVING CONNECTION CARRIER FRAME SPRING 502866 WITH 502931	507063	- x x x	FEED REGULATING SHAFT INDICATOR LEVER HINGE STUD RETAINER	
502935	x x x x	FEED REVERSING FOOT CONTROL LEVER PIN COLLAR	507063	- x x x	FEED REGULATOR SHAFT INDICATOR LEVER HINGE STUD RETAINER	
502937	x x x x	FEED REVERSING FOOT CONTROL LEVER PIN	507523	x x x x	FEED DRIVING CONNECTION CARRIER FRAME STOP SCREW WASHER (2)	
502946	x x x x	OIL RETURN TUBE (LOWER) (LONG) CLAMP	508302	x x x x	KNEE LIFTER ROCK SHAFT CRANK PIN	
502948	x x x x	PRESSER BAR WITH PRESSER FOOT SCREW 500256	508501	x x x x	KNEE LIFTER CONTROL SHAFT CRANK PIN	
			508502	x x x x	KNEE LIFTER ROCK SHAFT CONNECTION GRIP RING (2)	

PART NO.	FOR CLASS 457 G				DESCRIPTION	PART NO.	FOR CLASS 457 G				DESCRIPTION
	130	135	155	GX6			130	135	155	GX6	
272142	x	x	x	x	MACHINE PULLEY BALL BEARING	500329-850	x	x	x	x	MACHINE BASE AND PLUG SCREW
272143	x	x	x	x	ARM SHAFT BALL BEARING	500332-850	x	x	x	x	KNEE LIFTER ROCK SH
272144	x	x	x	x	BED SHAFT BALL BEARING	500367-850	-	-	x	-	NEEDLE POSITION ADJ STOP SCREW (2)
272208	x	x	x	x	PRETENSION BRACKET SPRING	500785-850	x	x	x	x	KNEE LIFTER CONTROL SCREW NUT
272209	x	x	x	x	PRETENSION BRACKET STUD	500786-850	x	x	x	x	HOOK OIL BYPASS PLUG
272218	x	x	-	x	TENSION RELEASING DISC	502505	x	x	x	x	ARM HEAD OIL DRAIN
272219	x	x	-	x	TENSION SPRING	502506	x	x	x	x	OIL PUMP DRIVING CRANK
272221	x	x	-	x	TENSION WHEEL	502508	x	x	x	x	ARM SHAFT CONNECTION BELT PULLEY
276025	x	x	x	x	PRESSER BAR BALL	502509	x	x	x	x	ARM SHAFT CONNECTION BELT PULLEY
276027	x	x	x	x	PRESSER BAR LIFTER	502510	x	x	x	x	ARM SHAFT OIL SHIELD
276051	x	x	x	x	THREAD GUIDE (ON FACE PLATE)	502511-002	x	x	x	x	ARM SHAFT OIL SLINGER
276114	x	x	x	x	NEEDLE BAR CONNECTING LINK THRUST WASHER	502515	x	x	x	x	SPACER
276225	x	x	x	x	TENSION STUD	502516	x	x	x	x	BED SHAFT BUSHING
276236	x	x	x	x	HOOK SHAFT OIL FILTER WICK HOLDER	502517	x	x	x	x	BED CONNECTION BELT PULLEY
276508	x	x	x	x	ROTARY TAKE-UP GUARD SPRING CATCH	502518-002	x	x	x	x	BED CONNECTION BELT PULLEY
276536	x	x	x	x	PRESSER BAR BUSHING	502519	x	x	x	x	BED SHAFT GEAR BOX
350231-850	x	x	x	x	KNEE LIFTER KNEE PLATE SET SCREW	502521	x	x	x	x	BED SHAFT GEAR BOX
500067-830	x	x	-	x	NEEDLE POSITION ADJUSTING CAM STOP SCREW SET SCREW (2)	502522	x	x	x	x	BED SLIDE
500067-830	-	-	x	-	NEEDLE POSITION ADJUSTING ECCENTRIC STOP SCREW SET SCREW (2)	502526	x	x	x	x	BOBBIN (1-2)
500104-850	x	x	x	x	ARM OIL SHIELD (AERETED PLASTIC) RETAINER SCREW (2)	502527	x	x	x	x	BOBBIN CASE BASE
500115-850	x	x	x	x	OIL DISTRIBUTOR PLATE SCREW	502528	x	x	x	x	BOBBIN CASE CAP
500212-833	x	x	x	x	FEED DRIVING CONNECTION CARRIER FRAME BEARING STUD (LEFT) SET SCREW	502529	x	x	x	x	BOBBIN CASE LATCH AND 502717
500244-850	x	x	x	x	ROTARY TAKE-UP SCREW (2)	502530	x	x	x	x	BOBBIN CASE CAP OF 502529 AND 502716
500244-850	x	x	x	x	BED PLATE SCREW (BACK) (2)	502531	x	x	x	x	BOBBIN CASE CPL. 502532
500244-850	x	x	x	x	THROAT PLATE SCREW (2)	502532	x	x	x	-	HOOK BODY WITH 502533
500245-805	x	x	x	x	BED SHAFT GEAR BOX OVERFLOW AND DRAIN PLUG SCREW	502533	x	x	x	x	HOOK DRIVING SHAFT
500246-850	x	x	x	x	THREAD GUIDE SCREW (2)	502534	x	x	x	-	HOOK AND BOBBIN AND 502562
500246-850	x	x	x	x	FACE PLATE SCREW (8)	502536	x	x	x	x	BOBBIN CASE STOP
500246-850	x	x	x	x	ROTARY TAKE-UP GUARD SPRING CATCH SCREW	502537	x	x	x	-	FACE PLATE
500247-833	x	x	x	x	HOOK OIL REGULATING SCREW	502538	x	x	x	x	HOOK GIB
500248-001	x	x	x	x	ARM PLUG SCREW	502539-002	x	x	x	-	HOOK NEEDLE GUARD
500250-850	x	x	x	x	MACHINE LEG SCREW (2)	502540-002	x	x	x	x	FEED BAR
500251-850	x	x	x	x	NEEDLE BAR CONNECTING STUD PINCH SCREW	502541	x	x	x	x	FEED BAR HINGE PIN
500256-850	x	x	x	x	PRESSER FOOT SCREW	502542	x	x	x	x	FEED BAR HINGE PIN
500257-850	x	x	x	x	FEED DRIVING ROCK SHAFT CRANK PINCH SCREW	502544	x	x	x	x	FEED BAR HINGE PIN
500259-803	x	x	x	x	TENSION RELEASER ADJUSTING SCREW	502545	x	x	x	x	FEED BAR LIFTING LINK
500260-830	x	x	x	x	PRESSER BAR SPRING SCREW	502546	x	x	x	x	FEED BAR LIFTING LINK
500261-850	x	x	x	x	PRESSER BAR SPRING SCREW STUD	502558	x	x	x	x	FEED DRIVING ROCK SHAFT
500262-833	x	x	x	x	THREAD GUIDE (ON FACE PLATE) SCREW	502559	x	x	x	x	FEED DRIVING ROCK SHAFT
500262-833	x	x	x	x	THREAD CUTTER (ON FACE PLATE) SCREW	502560-002	x	x	x	x	FEED DRIVING ROCK SHAFT
500263-850	x	x	x	x	HOOK SHAFT GEAR BOX COVER SCREW (4)	502562	x	x	x	-	HOOK CPL. 141507, 502539-002, TWO 5002563
500263-850	x	x	x	x	BED SHAFT GEAR BOX COVER SCREW (6)	502563	x	x	x	x	HOOK OIL RETAINER
500264-830	x	x	x	x	HOOK SHAFT BUSHING FRONT SET SCREW	502565	x	x	x	x	HOOK DRIVING SHAFT
500265-833	x	x	x	x	THREAD REGULATOR SET SCREW	502566	x	x	x	x	HOOK DRIVING SHAFT
500267-850	x	x	x	x	ARM COVER (TOP) SCREW (LONG) (2)	502567	x	x	x	x	HOOK DRIVING SHAFT
500267-850	-	-	x	-	NEEDLE VIBRATING CAM SHAFT BUSHING (BACK) SCREW (2)	502568	x	x	x	x	HOOK SHAFT
500268-850	x	x	x	x	ARM COVER (BACK) SCREW (6)	502569	x	x	x	x	HOOK SHAFT BEVEL GEAR
500268-850	x	x	x	x	ARM COVER (TOP) SCREW (SHORT) (2)	502572	x	x	x	x	HOOK SHAFT BUSHING
500268-850	x	x	x	x	OIL GUARD SCREW (2)	502573	x	x	x	x	HOOK SHAFT GEAR BOX
500268-850	x	x	x	x	FEED DRIVING CONNECTION CARRIER FRAME STOP SCREW (2)	502574	x	x	x	x	HOOK SHAFT GEAR BOX
500271-833	x	x	x	x	KNEE LIFTER CONTROL SHAFT CRANK STOP SCREW	502575	x	x	x	x	HOOK SHAFT GEAR BOX
500272-830	x	x	x	x	ARM SHAFT CONNECTION BELT PULLEY SET SCREW	502576-002	x	x	x	x	HOOK SHAFT GEAR BOX
500274-830	x	x	x	x	ARM SHAFT CONNECTION BELT PULLEY POSITION SCREW	502577	x	x	x	x	NEEDLE VIBRATING CAM (FRONT) SET SCREW (2)
500275-850	x	x	x	x	TENSION RELEASER HINGE SCREW	502577	x	x	x	x	HOOK SHAFT GEAR BOX
500287-830	x	x	x	x	ROTARY TAKE-UP GUARD COVER WINDOW SCREW	502581	x	x	x	x	HOOK SHAFT PRESSURE
500296-833	x	x	x	x	NEEDLE POSITION ADJUSTING CAM REGULATING STUD SET SCREW	502582	x	x	x	x	HOOK SHAFT PRESSURE
500296-833	-	-	x	-	NEEDLE VIBRATING ADJUSTING LEVER STOP SCREW (LEFT)	502583	x	x	x	x	KNEE LIFTER KNEE PLATE
500298-850	x	x	-	x	NEEDLE POSITION ADJUSTING CAM STOP SCREW (2)	502584	x	x	x	x	KNEE LIFTER LIFTING
500299-830	-	-	x	-	NEEDLE VIBRATING ADJUSTING LEVER STOP SCREW (RIGHT)	502586	x	x	x	x	KNEE LIFTER LIFTING
500300-850	-	-	x	-	NEEDLE VIBRATING ADJUSTING SHAFT RETAINER SCREW	502587-002	x	x	x	x	KNEE LIFTER PLUNGER
500300-850	-	-	x	-	NEEDLE VIBRATING ADJUSTING LEVER SCREW	502589	x	x	x	x	KNEE LIFTER ROCK SH
500301-850	x	x	x	x	NEEDLE VIBRATING CAM SCREW (2)	502591	x	x	x	x	KNEE LIFTER ROCK SH
500301-850	x	x	x	x	NEEDLE VIBRATING WORM GEAR SCREW (2)	502593	x	x	x	x	MACHINE LEG (REAR)
500302-803	x	x	-	x	NEEDLE BAR YOKE CONNECTING LINK CARRIER FRAME BUSHING SET SCREW (2)	502594	x	x	x	x	NEEDLE BAR OIL FELT
500302-803	-	-	x	-	NEEDLE POSITION ADJUSTING ECCENTRIC STOP SCREW (2)	502597	x	x	x	x	NEEDLE BAR THREAD
500303-830	x	x	x	x	NEEDLE VIBRATING CAM SHAFT BUSHING FRONT SET SCREW	502598	x	x	x	-	NEEDLE BAR CONNECTION BELT PULLEY
500306-830	x	x	x	x	HOOK SET SCREW (2)	502600	x	x	x	x	NEEDLE BAR CONNECTION BELT PULLEY
500307-850	x	x	x	x	ARM SHAFT BUSHING (CENTER) SCREW	502601	x	x	x	x	NEEDLE BAR CONNECTION BELT PULLEY
500308-830	x	x	x	x	FEED DRIVING ECCENTRIC POSITION SCREW	502602	x	x	x	-	NEEDLE BAR CONNECTION BELT PULLEY
500309-850	-	x	x	x	FEED REGULATING SHAFT INDICATOR STOP SCREW (2)	502603	x	x	x	-	NEEDLE BAR CONNECTION BELT PULLEY
500310-833	-	x	x	x	FEED REGULATING SHAFT INDICATOR STOP SCREW RETAINING SPRING SCREW	502604	x	x	x	-	NEEDLE BAR CONNECTION BELT PULLEY
500312-850	x	x	x	x	SINGER LIGHT STUD HOLE SCREW PLUG (FOR UN-USED HOLE)	502606	x	x	x	x	FEED REVERSING FOOT
500313-830	x	x	x	x	NEEDLE BAR YOKE GUIDE SET SCREW (2)	502607	x	x	x	-	PIN COLLAR 502935 (1)
500319-830	x	x	x	x	BED CONNECTION BELT PULLEY SET SCREW (2)	502608	x	x	x	x	NEEDLE BAR CRANK
500320-830	x	x	x	x	ARM HEAD OIL DRAIN WICK SLINGER SET SCREW (2)	502610	x	x	x	x	NEEDLE BAR OIL FELT
						502611	x	x	x	x	HOOK SHAFT BUSHING
						502612	x	x	x	x	NEEDLE BAR YOKE (2) HINGE BEARING WITH
						502622	x	x	x	x	ROTARY TAKE-UP GUARD SPRING WASHER
						502635-002	x	x	x	x	OIL DELIVERY TUBE
						502641	x	x	x	x	MACHINE BASE AND GROUNDING CONTACT
						502642	x	x	x	x	MACHINE BASE AND GROUNDING CONTACT
						502643	x	x	x	x	OIL PUMP BODY

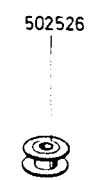
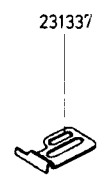
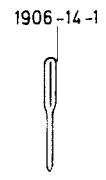
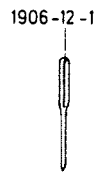
	PART NO.	FOR CLASS 457 G				DESCRIPTION	PART NO.	FOR CLASS 457 G				DESCRIPTION
		130	135	155	GX6			130	135	155	GX6	
RESERVOIR	502644	x	x	x	x	OIL PUMP GEAR	502775	-	-	x	-	NEEDLE VIBRATING ADJUSTING BRACKET
	502645	x	x	x	x	PRESSER BAR POSITION GUIDE	502776	-	-	x	-	NEEDLE VIBRATING ADJUSTING BRACKET STUD (2)
HUB PINCH SCREW (2)	502646	x	x	x	x	OIL PUMP SCREW SHAFT						
TING ECCENTRIC	502647-002	x	x	x	x	OIL RETURN TUBE (UPPER) (SHORT)	502776	-	-	x	-	NEEDLE POSITION ADJUSTING ECCENTRIC BUSHING (SMALL) SLIDE BLOCK STUD
	502648-002	x	x	x	x	OIL RETURN TUBE (LOWER) (LONG)						
SHAFT CRANK STOP	502650-002	x	x	x	x	OIL SIGHT BODY AND WICK 502651	502777	-	-	x	-	NEEDLE VIBRATING ADJUSTING GUIDE CRANK
	502651	x	x	x	x	OIL SIGHT WICK	502778	-	-	x	-	NEEDLE VIBRATING ADJUSTING GUIDE CRANK 502777 WITH 1147
SCREW NUT	502653	x	x	x	x	PRESSER BAR SPRING						
ICK CLAMP (FRONT)	502654	x	x	x	x	PRETENSION BRACKET	502779	-	-	x	-	NEEDLE VIBRATING ADJUSTING CRANK
	502655	x	x	x	x	ROTARY TAKE-UP	502780	-	-	x	-	NEEDLE VIBRATING ADJUSTING CRANK 502779 WITH 51369
N BELT	502656	x	x	x	x	ROTARY TAKE-UP GUARD						
N BELT PULLEY	502657	x	x	x	x	ROTARY TAKE-UP GUARD COVER	502781	-	-	x	-	NEEDLE POSITION ADJUSTING ECCENTRIC SLIDE BLOCK
	502658	x	x	x	x	PRETENSION BRACKET CPL. 210958, 210993, 272208, 272209 AND 502699	502782	-	-	x	-	NEEDLE VIBRATING ADJUSTING BRACKET SLIDE BLOCK
AND PINION	502659	x	x	x	x	ROTARY TAKE-UP MOUNTING DISC						
ONT)	502660-002	x	x	x	x	TENSION RELEASER	502783	-	-	x	-	NEEDLE VIBRATING ADJUSTING GUIDE CRANK SHAFT
WICK	502661-002	x	x	x	x	TENSION RELEASER CPL. 1747, 500259 AND 502660-002	502784	-	-	x	-	NEEDLE VIBRATING ADJUSTING CRANK SHAFT
PULLEY	502662	x	x	x	x	TENSION RELEASER SPRING						
PULLEY SPACER	502663	x	x	-	x	TENSION CPL. 1560, 270086, 272218, 272219, 272221, 276225, 502668, 502698 AND TWO 202079	502785	x	x	x	x	NEEDLE BAR YOKE CONNECTING LINK HINGE BEARING STUD
OVER GASKET	502665	x	x	x	x	THREAD GUIDE	502786	x	x	x	x	KNEE LIFTER ROCK FRAME
	502666	x	x	x	x	THREAD PULL OFF	502788	-	-	x	-	NEEDLE VIBRATING ADJUSTING SHAFT RETAINER
	502667	x	x	x	x	THREAD RETAINER	502789	-	-	x	-	NEEDLE BAR YOKE CONNECTING LINK CARRIER FRAME STUD
	502668	x	x	x	x	THREAD TAKE-UP SPRING						
	502669	x	x	x	x	THREAD TAKE-UP SPRING REGULATOR	502790	x	x	-	x	NEEDLE POSITION ADJUSTING LEVER
	502670	x	x	x	x	THREAD CUTTER (ON ROTARY TAKE-UP GUARD)	502791	-	-	x	-	NEEDLE POSITION ADJUSTING ECCENTRIC SLIDE BLOCK BRACKET
	502672	x	x	x	x	NEEDLE BAR YOKE BEARING BACK						
	502674	x	x	x	x	NEEDLE BAR YOKE BEARING (FRONT)	502793	-	-	x	-	NEEDLE VIBRATING CAM ROLLER GUIDE
	502675-002	x	x	x	x	FEED DRIVING ROCK SHAFT CRANK CPL. 51388, 502541, 502542, 502544, 502545, 502546, 502710 AND 502711-002	502793	-	-	x	-	COMPENSATING LINK STUD SNAP RING (2) NEEDLE POSITION ADJUSTING ECCENTRIC BUSHING (SMALL) SLIDE BLOCK STUD SNAP RING
	502676	x	x	x	x	HOOK SHAFT PRESSURE BUSHING 502581 WITH 502582	502793	-	-	x	-	NEEDLE VIBRATING ADJUSTING BRACKET STUD SNAP RING (2)
	502677	x	x	x	x	HOOK SHAFT WITH OIL FILTER CPL. 271808, 276236, 502568, 502928 AND 502958	502799	x	x	x	x	MACHINE BASE AND OIL RESERVOIR DRAIN PLUG SCREW GASKET
COUNTERBALANCE	502679	x	x	x	x	KNEE LIFTER ROCK FRAME HINGE STUD PIN	502800	-	-	x	-	NEEDLE BAR YOKE CONNECTION LINK CARRIER FRAME DISC SPRING
	502681-002	x	x	x	x	ARM SHAFT WITH 1259, 140172 AND 502723-002	502801	-	-	x	-	NEEDLE VIBRATING CAM ROLLER GUIDE COMPENSATING LINK STUD
	502682	x	x	x	x	ARM SHAFT CONNECTION BELT PULLEY CPL. 214206, 500272, 500274 AND 502509	502802	x	x	x	x	NEEDLE BAR YOKE CONNECTING LINK HINGE BEARING STUD SNAP RING (2)
	502683-002	x	x	x	-	NEEDLE BAR YOKE WITH OIL FELT CPL. 502594, 502608 AND 502688-002	502802	-	-	x	-	NEEDLE BAR YOKE CONNECTING LINK CARRIER FRAME SNAP RING
	502688-002	x	x	x	-	NEEDLE BAR YOKE	502803	-	-	x	-	NEEDLE VIBRATING ADJUSTING LEVER
	502693	x	x	x	-	NEEDLE BAR CONNECTING STUD WITH 500251, 502602 AND 502603	502805	-	-	x	-	NEEDLE BAR YOKE CONNECTING LINK CARRIER FRAME
	502694	x	x	x	-	NEEDLE BAR CRANK STUD WITH 270161 AND 502607	502806	x	x	x	x	ARM COVER (BACK)
	502696	x	x	x	x	PRESSER BAR POSITION GUIDE WITH 51369 AND 502645	502811	x	x	x	x	ARM COVER (TOP)
	502698	x	x	x	x	THREAD TAKE-UP SPRING REGULATOR 502669 WITH 50305	502817	x	x	x	x	NEEDLE BAR YOKE CONNECTING LINK HINGE BEARING WITH 502616 AND TWO 502757
	502699	x	x	x	x	PRETENSION BRACKET WITH 460 AND 502654	502818	x	x	x	x	HOOK GEAR BOX VENT CAP
	502702	x	x	x	x	OIL PUMP GEAR WITH 502644 AND TWO 50311	502819	-	-	x	-	NEEDLE BAR YOKE CONNECTING LINK CARRIER FRAME CPL. 502789, 502805, 502850, 502857 AND TWO 624
	502703	x	x	x	x	BED SHAFT BUSHING (FRONT) 502515 WITH 502516	502820	-	-	x	-	NEEDLE POSITION ADJUSTING ECCENTRIC CPL. 502776, 502781, 502793 AND TWO EACH 500302 AND 502762
	502704	x	x	x	x	BED CONNECTION BELT PULLEY WITH 502517 AND TWO 500319	502822	x	x	x	x	KNEE LIFTER ROCK FRAME WITH 502679, 502758 AND 502786
	502705	x	x	x	x	OIL PUMP DRIVING GEAR WITH 502506 AND TWO 1258	502823	x	x	x	x	KNEE LIFTER LIFTING ROD WITH TWO 502830
	502710	x	x	x	x	FEED DRIVING ROCK SHAFT CRANK WITH 502559 AND TWO 624	502824	x	x	x	x	HOOK DRIVING SHAFT PLUG (FOR UN-USED BED HOLE)
	502711-002	x	x	x	x	FEED BAR 502540-002 WITH PINCH SCREW 50578	502825	x	x	x	x	NEEDLE VIBRATING CAM SHAFT BUSHING (FRONT)
	502712	x	x	x	x	BED SHAFT GEAR WITH 502519 AND TWO 1259	502826	x	x	x	x	FEED DRIVING ROCK SHAFT BUSHING (FRONT)
	502713	x	x	x	x	HOOK DRIVING SHAFT BUSHING WITH 502533 AND 502566	502829	-	x	x	x	STITCH LENGTH INDICATOR PLATE
	502714	x	x	x	x	HOOK DRIVING SHAFT HELICAL GEAR 502567 WITH TWO 1259	502830	x	x	x	x	KNEE LIFTER LIFTING ROD GRIP RING (2)
HUB	502715	x	x	x	x	HOOK SHAFT BEVEL GEAR 502569 WITH TWO 1259	502830	-	x	x	x	FEED DRIVING CONNECTION CARRIER FRAME SPRING STUD GRIP RING
	502716	x	x	x	x	BOBBIN CASE CAP CPL. 200592, 201016, 502528 AND 508300	502831	x	x	x	x	ARM SHAFT BUSHING (CENTER) SCREW PLUG
	502717	x	x	x	x	BOBBIN CASE LATCH LEVER	502832	x	x	x	x	FEED REGULATING SHAFT PLUG (FOR UN-USED HOLE)
	502720	x	x	x	x	KNEE LIFTER ROCK SHAFT HUB 502591 WITH TWO 500332	502833	x	x	x	x	ARM COVER BACK GASKET
	502723-002	x	x	x	x	ARM SHAFT CRANK WITH NEEDLE BAR CRANK	502835	-	-	x	-	NEEDLE VIBRATING ADJUSTING LEVER OIL GUIDE
	502726	-	-	x	-	NEEDLE VIBRATING ADJUSTING BRACKET CPL. 502775, 502778, 502780 AND TWO EACH 502776 AND 502793	502836	x	x	x	x	BED SHAFT WITH 502750 AND 502837
	502751	x	x	x	x	NEEDLE VIBRATING CAM SHAFT BUSHING (BACK) PLUG	502837	x	x	x	x	BED SHAFT
	502752	x	x	x	x	BED SHAFT BUSHING (CENTER) OIL TUBE PLUG	502838	x	x	x	x	BED SHAFT BUSHING (BACK)
	502757	x	x	x	x	BED SHAFT PLUG	502839	x	x	x	x	FEED DRIVING ECCENTRIC WITH 449, 500308 AND 502840
	502758	x	x	x	x	NEEDLE BAR YOKE CONNECTING LINK HINGE BEARING BUSHING (2)	502840	x	x	x	x	FEED DRIVING ECCENTRIC
	502760	x	x	x	x	KNEE LIFTER ROCK FRAME HINGE STUD	502841	x	x	x	x	FEED DRIVING CONNECTION CPL. 502842, 502844, 502847, TWO 502848 AND FOUR 507863
	502762	-	-	x	-	NEEDLE POSITION ADJUSTING ECCENTRIC BUSHING (SMALL) SNAP RING (2)	502842	x	x	x	x	FEED DRIVING CONNECTION LEVER HINGE PIN (2)
	502763	x	x	x	x	ARM SHAFT BUSHING (CENTER)	502843	x	x	x	x	FEED DRIVING CONNECTION CRANK WITH 1177 AND 502848
	502764	x	x	x	x	OIL GUARD	502848	x	x	x	x	FEED DRIVING CONNECTION
	502770	x	x	x	x	ARM LOWER FRONT GADGET	502849	-	-	x	-	FEED REG. LATCH SHAFT AND CARRIER FRAME SCREW RETAINING SPRING
	502772	x	x	x	x	NEEDLE POSITION ADJUSTING CAM REGULATING STUD						

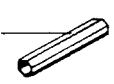
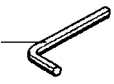
# ACCESSORIES FOR MACHINES 457 G 130, 457 G 135, 457 G 155 AND 457 GX6

270  
50



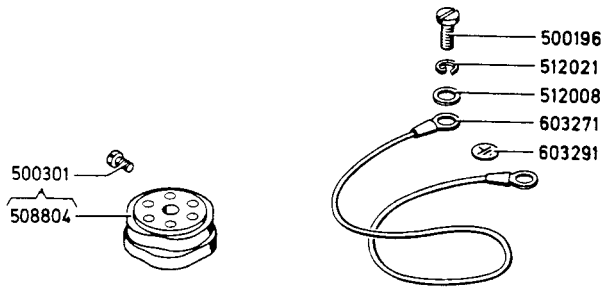
- 225498
- 228476
- 144465
- 503669
- 503645
- 225554
- 225491
- 503673
- 121741





PART NO.	FOR CLASS 457 G				DESCRIPTION
	130	135	155	GX6	
NO. 12	x	x	x	x	BOBBIN WINDER WOOD SCREW (3/4 INCH) (2)
NO. 12	x	x	x	x	THREAD UNWINDER WOOD SCREW (7/8 INCH) (3)
000061-850	x	x	x	x	ROTARY TAKE-UP GUARD HINGE SCREW
000084-850	x	x	x	x	KNEE LIFTER LIFTING LINK SCREW
000129-850	-	x	x	x	FEED REGULATING SHAFT INDICATOR LEVER PINCH SCREW
000160-850	x	x	x	x	ARM COVER (FRONT) SCREW (3)
000160-850	x	x	x	x	NEEDLE BAR YOKE CONNECTING LINK HINGE BEARING PINCH SCREW
000160-850	x	x	-	x	NEEDLE POSITION ADJUSTING CAM SLIDING BLOCK BRACKET SCREW (2)
000160-850	-	x	x	x	FEED REGULATING CONNECTION SHAFT CRANK PINCH SCREW
000160-850	-	-	x	-	NEEDLE POSITION ADJUSTING ECCENTRIC SLIDE BLOCK BRACKET SCREW (2)
000176-850	x	x	x	x	ATTACHMENT SCREW
000190-850	x	x	x	x	BOBBIN CASE STOP SCREW
000199-850	x	x	x	x	KNEE LIFTER ROCK FRAME HINGE STUD LOCK SCREW
000201-850	x	x	x	x	OIL SIGHT BODY SCREW (2)
000207-803	x	x	x	x	ARM HEAD OIL DRAIN WICK CLAMP SCREW (2)
000223-850	x	x	x	x	NEEDLE SET SCREW
000237-833	x	x	x	x	THREAD CUTTER (ON ROTARY TAKE-UP GUARD) SCREW
000238-850	x	x	x	x	NEEDLE BAR THREAD GUIDE SET SCREW
000238-850	x	x	x	x	BED SLIDE SPRING SCREW (2)
000289-850	x	x	x	x	CLOTH GUIDE THUMB SCREW
000449-830	x	x	x	x	FEED DRIVING ECCENTRIC SET SCREW
000457-830	x	x	x	x	HOOK OIL BYPASS PLUG SCREW
000460-833	x	x	x	x	ARM SHAFT OIL SLINGER AND PINION SET SCREW
000460-833	x	x	x	x	PRETENSION BRACKET SCREW
000460-833	x	x	x	x	THREAD PULL OFF SET SCREW
000624-833	x	x	-	x	NEEDLE BAR YOKE CONNECTING LINK CARRIER FRAME SLIDE STUD SET SCREW (2)
000624-833	x	x	x	x	FEED BAR HINGE PIN SET SCREW (2)
000624-833	x	x	x	x	BOBBIN WINDER PULLEY SET SCREW
000690-850	-	-	x	-	NEEDLE VIBRATING ADJUSTING SHAFT CLAMPING BRACKET PINCH SCREW
000792-850	x	x	-	x	NEEDLE POSITION ADJUSTING LEVER SCREW (2)
000858-833	x	x	x	x	BED SHAFT BUSHING (FRONT, CENTER, BACK) SET SCREW (3)
000858-833	x	x	x	x	HOOK DRIVING SHAFT BUSHING SET SCREW
000858-833	x	x	x	x	HOOK SHAFT PRESSURE BUSHING SET SCREW
000998-833	x	x	x	x	OIL RETURN TUBE SCREW
001147-850	-	-	x	-	NEEDLE VIBRATING ADJUSTING GUIDE CRANK SET SCREW
001177-850	x	x	x	x	FEED DRIVING CONNECTION CRANK PINCH SCREW
001186-850	x	x	x	x	OIL PUMP MOUNTING SCREW (2)
001258-830	x	x	x	x	OIL PUMP DRIVING GEAR SET SCREW (2)
001259-830	x	x	x	x	NEEDLE BAR CRANK STUD POSITION SCREW
001259-830	x	x	x	x	BED SHAFT GEAR SET SCREW (2)
001259-830	x	x	x	x	HOOK DRIVING SHAFT HELICAL GEAR SET SCREW (2)
001259-830	x	x	x	x	HOOK DRIVING SHAFT BEVEL GEAR SET SCREW (2)
001259-830	x	x	x	x	HOOK SHAFT BEVEL GEAR SET SCREW (2)
001266-830	x	x	x	x	NEEDLE VIBRATING WORM WHEEL SET SCREW (4)
001349-850	x	x	x	x	PRESSER BAR LIFTER HINGE SCREW
001454-850	x	x	x	x	ROTARY TAKE-UP GUARD SCREW (SHORT)
001472-850	x	x	x	x	HOOK SHAFT BUSHING (FRONT) SET SCREW (3)
001485-850	x	x	x	x	ROTARY TAKE-UP GUARD SCREW (LONG)
001529-830	x	x	x	x	SPRING CATCH SCREW NUT
001560-850	x	x	-	x	TENSION THUMB NUT
001654-850	x	x	x	x	THREAD RETAINER LOCK NUT
001664-850	x	x	x	x	NEEDLE VIBRATING CAM ROLLER STUD NUT
001747-850	x	x	x	x	TENSION RELEASER ADJUSTING SCREW LOCK NUT
1906-12-1	x	x	x	x	NEEDLE (3)
1906-14-1	x	x	x	x	NEEDLE (1-2)
002102	-	-	x	-	TENSION DISC (2)
002102	x	x	x	x	BOBBIN WINDER TENSION DISC (2)
012361	x	x	x	x	MACHINE HINGE CONNECTION (2)
013710	x	x	x	x	BOBBIN WINDER TENSION SPRING
032574	-	-	x	-	TENSION RELEASING PIN
050130-833	x	x	x	x	FEED REVERSING FOOT CONTROL LEVER PIN COLLAR SET SCREW
050305-850	x	x	x	x	TENSION STUD SET SCREW
050311-830	x	x	x	x	OIL PUMP GEAR SET SCREW (2)
050429-833	x	x	x	x	PRETENSION BRACKET SCREW
050429-833	x	x	x	x	THREAD CUTTER (ON FACE PLATE) ADJUSTING SCREW
050578-850	x	x	x	x	FEED BAR LIFTING LINK HINGE PIN PINCH SCREW
050624-830	x	x	x	x	FEED DOG SCREW (2)
051334-830	-	x	x	x	FEED REGULATING CONNECTION SHAFT COLLAR SET SCREW (2)
051369-850	-	-	x	-	NEEDLE VIBRATING ADJUSTING CRANK PINCH SCREW
051369-850	x	x	x	x	NEEDLE BAR CONNECTING STUD GUIDE BLOCK SCREW (2)
051369-850	x	x	x	x	NEEDLE BAR CONNECTING LINK CLAMPING PLATE SCREW (2)
051369-850	x	x	x	x	PRESSER BAR POSITION GUIDE PINCH SCREW
051369-850	x	x	x	x	FEED DRIVING CONNECTION CARRIER FRAME SLIDE STUD SET SCREW
051388-850	x	x	x	x	FEED BAR LIFTING LINK HINGE PIN CAP SCREW

PART NO.	FOR CLASS 457 G				DESCRIPTION
	130	135	155	GX6	
051775-850	-	-	x	-	NEEDLE VIBRATING ADJUSTING LEVER STOP SCREW NUT (2)
120440	x	x	x	x	SCREW DRIVER
121741	x	x	x	x	ONE QUART CAN FILLED WITH LIGHT GRADE OIL
140145-803	x	x	x	x	KNEE LIFTER ROCK FRAME HINGE SCREW
140172-850	x	x	x	x	NEEDLE BAR CRANK STUD PINCH SCREW
140346-833	x	x	x	x	FEED DRIVING CONNECTION CARRIER FRAME BEARING STUD (RIGHT) SET SCREW
140753-850	-	x	x	x	STITCH LENGTH INDICATOR PLATE SCREW (2)
141507-803	x	x	x	x	HOOK NEEDLE GUARD AND COUNTERBALANCING SCREW
141525-806	x	x	x	x	HOOK G18 SCREW (3)
141566-833	x	x	x	x	MACHINE PULLEY POSITION SCREW
141567-833	x	x	x	x	MACHINE PULLEY SET SCREW
143014	x	x	x	x	HOOK DRIVING SHAFT BEVEL GEAR WITH TWO 1259
144465	x	x	x	x	WRENCH (1/8 INCH HEXAGON)
147151	-	-	x	-	TENSION RELEASING DISC
147152	-	-	x	-	TENSION SPRING
150203	x	x	x	x	THREAD UNWINDER SPOOL REST CUSHION (FELT) (2)
182514-819	x	x	x	x	THREAD CUTTER (ON FACE PLATE) ADJUSTING SCREW NUT
200056-805	x	x	x	x	BOBBIN WINDER STOP LATCH SCREW
200082-804	x	x	x	x	BOBBIN WINDER TENSION BRACKET SCREW
200113-806	x	x	x	x	BOBBIN WINDER BRAKE CLAMP SCREW
200113-850	x	x	x	x	KNEE LIFTER LIFTING ROD COLLAR SET SCREW
200299-819	x	x	x	x	BOBBIN WINDER STOP LATCH TRIP HINGE SCREW
200393-833	x	x	x	x	FEED DRIVING ROCK SHAFT COLLAR SET SCREW (4)
200592-803	x	x	x	x	BOBBIN CASE CAP TENSION SPRING SCREW
200964-803	x	x	x	x	BOBBIN CASE LATCH STOP SCREW
201016-803	x	x	x	x	BOBBIN CASE CAP TENSION SPRING REGULATING SCREW
201254-803	x	x	x	x	THREAD UNWINDER SPOOL REST SET SCREW
201499-819	x	x	x	x	BOBBIN WINDER TENSION STUD
201572-819	x	x	x	x	BOBBIN WINDER TENSION STUD THUMB NUT
202079	x	x	-	x	TENSION FELT WASHER (2)
202478	x	x	x	x	BOBBIN WINDER STOP LATCH TRIP LEVER
203244	x	x	x	x	FEED DRIVING ROCK SHAFT COLLAR (2) WITH TWO EACH 200393
210505	x	x	x	x	BED PLATE (BACK)
210735	x	x	x	x	BOBBIN CASE LATCH FULCRUM PIN
210736	x	x	x	x	BOBBIN CASE LATCH SPRING
210913	x	x	x	x	BOBBIN CASE LATCH
210958	x	x	x	x	PRETENSION BRACKET COLLAP
210993	x	x	x	x	PRETENSION BRACKET SLEEVE
214206	x	x	x	x	ARM SHAFT CONNECTION BELT PULLEY SPRING FLANGE
225381	x	x	x	x	BOBBIN WINDER SPINDLE
225444	x	x	x	x	BOBBIN WINDER STOP LATCH
225453	x	x	x	x	BOBBIN WINDER FRAME WITH 244071 AND 259428
225454	x	x	x	x	BOBBIN WINDER FRAME HINGE PIN
225455	x	x	x	x	BOBBIN WINDER FRAME SPRING
225456	x	x	x	x	BOBBIN WINDER FRAME SPRING PLUNGER
225458	x	x	x	x	BOBBIN WINDER STOP LATCH THUMB LEVER
225459	x	x	x	x	BOBBIN WINDER STOP LATCH THUMB LEVER HINGE AND JOINT STUD (2)
225461	x	x	x	x	BOBBIN WINDER TENSION BRACKET WITH 201259
225462	x	x	x	x	BOBBIN WINDER TENSION BRACKET WITH 13710, 201572, 225461 AND TWO 2102
225491	x	x	x	x	MACHINE REST PIN (WOOD)
225498	x	x	x	x	SCREW DRIVER
225554	x	x	x	x	WRENCH
227227	x	x	x	x	KNEE LIFTER LIFTING ROD COLLAR WITH 200113
228026	x	x	x	x	BOBBIN WINDER TENSION BRACKET SCREW WASHER
228364	x	x	x	x	KNEE LIFTER KNEE PLATE WITH 350251
228476	x	x	x	x	SCREW DRIVER (BOBBIN CASE)
228764	x	x	x	x	THREAD UNWINDER SPOOL PIN (2)
228766	x	x	x	x	THREAD UNWINDER SPOOL REST WITH 201254
228767	x	x	x	x	THREAD UNWINDER SPOOL REST ROD
228768	x	x	x	x	THREAD UNWINDER SPOOL STAND
228769	x	x	x	x	THREAD UNWINDER THREAD GUIDE (2)
228770	x	x	x	x	THREAD UNWINDER THREAD GUIDE HOLDER
228774	x	x	x	x	THREAD UNWINDER THREAD GUIDE ROD
228776	x	x	x	x	THREAD UNWINDER CPL. (FOR TWO SPOOLS) 228766, 228767, 228768, 228770, 228774, TWO EACH 150203, 228764, 228769 AND THREE WOOD SCREWS NO. 12 (3/4 INCH)
230743	x	x	x	x	HINGE SCREW THRUST WASHER
231337	x	x	x	x	CLOTH GUIDE
244071	x	x	x	x	BOBBIN WINDER FRAME OIL PACKING WICK
259428	x	x	x	x	BOBBIN WINDER BRAKE (LEATHER)
259429	x	x	x	x	BOBBIN WINDER BRAKE CLAMP
259462	x	x	x	x	UNIVERSAL BOBBIN WINDER CPL. 200056, 200082, 200113, 200299, 202478, 225381, 225444, 225453, 225456, 225458, 225462, 228026, 259428, 259429, 259662, 259930, TWO EACH 225459 AND WOOD SCREW NO. 12 (3/4 INCH)
259660	x	x	x	x	BOBBIN WINDER FRAME OIL WELL WASHER
259662	x	x	x	x	BOBBIN WINDER FRAME AND TENSION BRACKET BASE
259930	x	x	x	x	BOBBIN WINDER PULLEY WITH 624
270086	x	x	-	x	TENSION RELEASING PIN
270161	x	x	x	x	NEEDLE BAR CRANK STUD PIN
270266	x	x	x	x	NEEDLE BAR CONNECTING LINK NEEDLE BEARING
271808	x	x	x	x	HOOK SHAFT OIL FILTER WICK HOLDER SEAL
272128	x	x	x	x	ROTARY TAKE-UP GUARD COVER WINDOW



## Accessories

500196-814	MACHINE GROUNDING WIRE SCREW
500301-850	FEED CONTROL CAM SET SCREW (2) FOR ACCESSORIES
508804	FEED CONTROL CAM (FOR ACCESSORIES) WITH TWO 500301
512008	MACHINE GROUNDING WIRE WASHER
512021	MACHINE GROUNDING WIRE LOCK WASHER
603271	MACHINE GROUNDING WIRE
603291	MACHINE GROUNDING WIRE SYMBOL

PART NO. DESCRIPTION

PART NO. DESCRIPTION



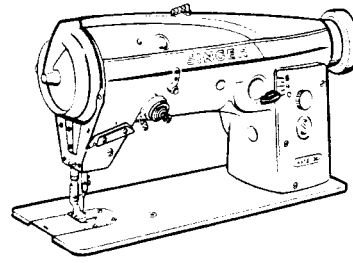
CLASS 457 G	DESCRIPTION	PART NO.	DESCRIPTION
135 155 GX6	MACHINE BASE AND OIL RESERVOIR GASKET	508570	ARM COVER (FRONT) 508571 WITH 502829 AND TWO 140753
	SUPPORT	508571	ARM COVER (FRONT)
	BED SLIDE SPRING	508581	ARM COVER (FRONT) 508582 WITH 502829 AND TWO 140753
	MACHINE PULLEY WITH 141566, 141567	508582	ARM COVER (FRONT)
	TWO 238	508583	NEEDLE BAR CONNECTING STUD
	PAIR OF NEEDLE VIBRATING WORM GEAR AND 272142	508584	NEEDLE BAR CONNECTING STUD GUIDE
	AND NEEDLE VIBRATING WORM WHEEL WITH TWO 500301 AND FOUR 1266	508585	NEEDLE BAR CONNECTING LINK WITH BLOCK
	OIL DISTRIBUTOR PLATE	508586	NEEDLE BAR GRANK STUD WITH 270161
	THREAD CUTTER ION FACE PLATE	508587	NEEDLE BAR YOK WITH 502594, 502608 AND 508588
	NEEDLE BAR YOK CONNECTING LINK	508588	NEEDLE VIBRATING CAM WITH TWO 500301
	PAIR OF NEEDLE VIBRATING WORM GEAR AND NEEDLE VIBRATING WORM WHEEL	508589	NEEDLE VIBRATING CAM WITH TWO 500301
	FEED DRIVING CONNECTION CARRIER	508590	FACE PLATE
	FEED DRIVING CONNECTION CARRIER WITH TWO 500301 AND FOUR 1266	508590	FACE PLATE
	FRAME STOP (BACK)	508604	TENSION CPL. 32574, 147151, 147152, 27225, 502668, 502698, 508654 AND TWO 2102
	FRAME STOP (FRONT)	508651	NEEDLE POSITION ADJUSTING ECCENTRIC
	ROBBIN CASE TENSION SPRING	508653	SLIDE BLOCK BRACKET CPL. 502791 AND TWO EACH 500067 AND 500367
	HOOK BODY WITH 502563	508654	NEEDLE VIBRATING CAM SHAFT BUSHING (BACK) WASHER
	HOOK NEEDLE GUARD AND COUNTERBALANCE	508660	TENSION THUMB NUT CAP
	NEEDLE VIBRATING CAM SHAFT BUSHING (BACK)	508661	HOOK AND ROBBIN CASE CPL. 502531 AND 508661
	NEEDLE VIBRATING CAM ROLLER GUIDE WASHER	508674	HOOK CPL. 141507, 502538, 508535, 508537, TWO 500306 AND THREE 141525
	NEEDLE VIBRATING CAM ROLLER STUD		ARM HEAD OIL DRAIN WICK GUARD
	NEEDLE VIBRATING CAM ROLLER (2)		
	NEEDLE VIBRATING CAM ROLLER GUIDE		
	COMPENSATING LINK		
	NEEDLE VIBRATING CAM WITH TWO 500301		
	NEEDLE BAR YOK CONNECTING LINK		
	CPL. 1664, 502801, 502785, 502817, 502961, 503141, 508519, 508539, 508540, 508541, 508543, TWO EACH 502793, 502802, 502958, 502964 AND 508542		

1

1

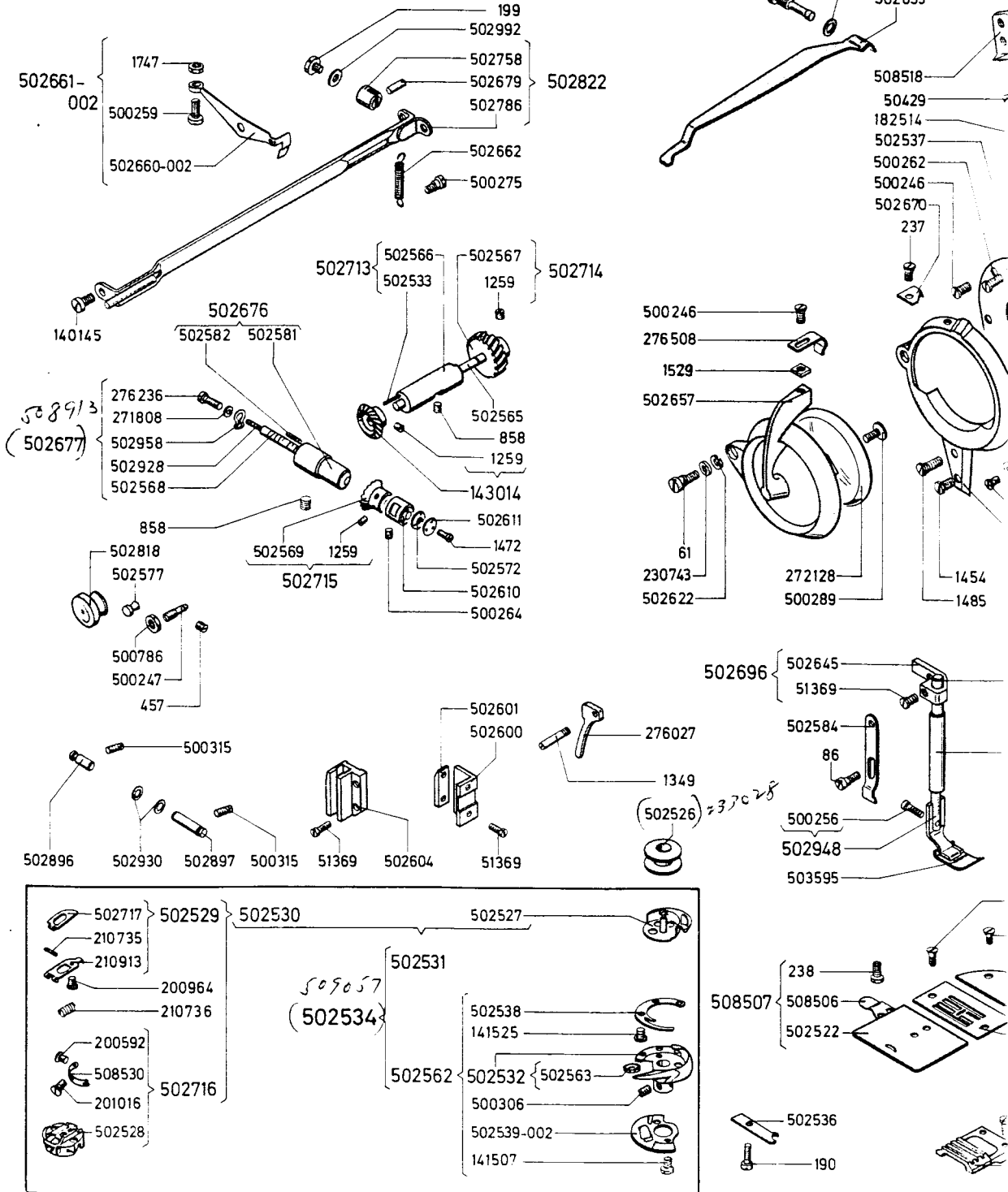
# SINGER

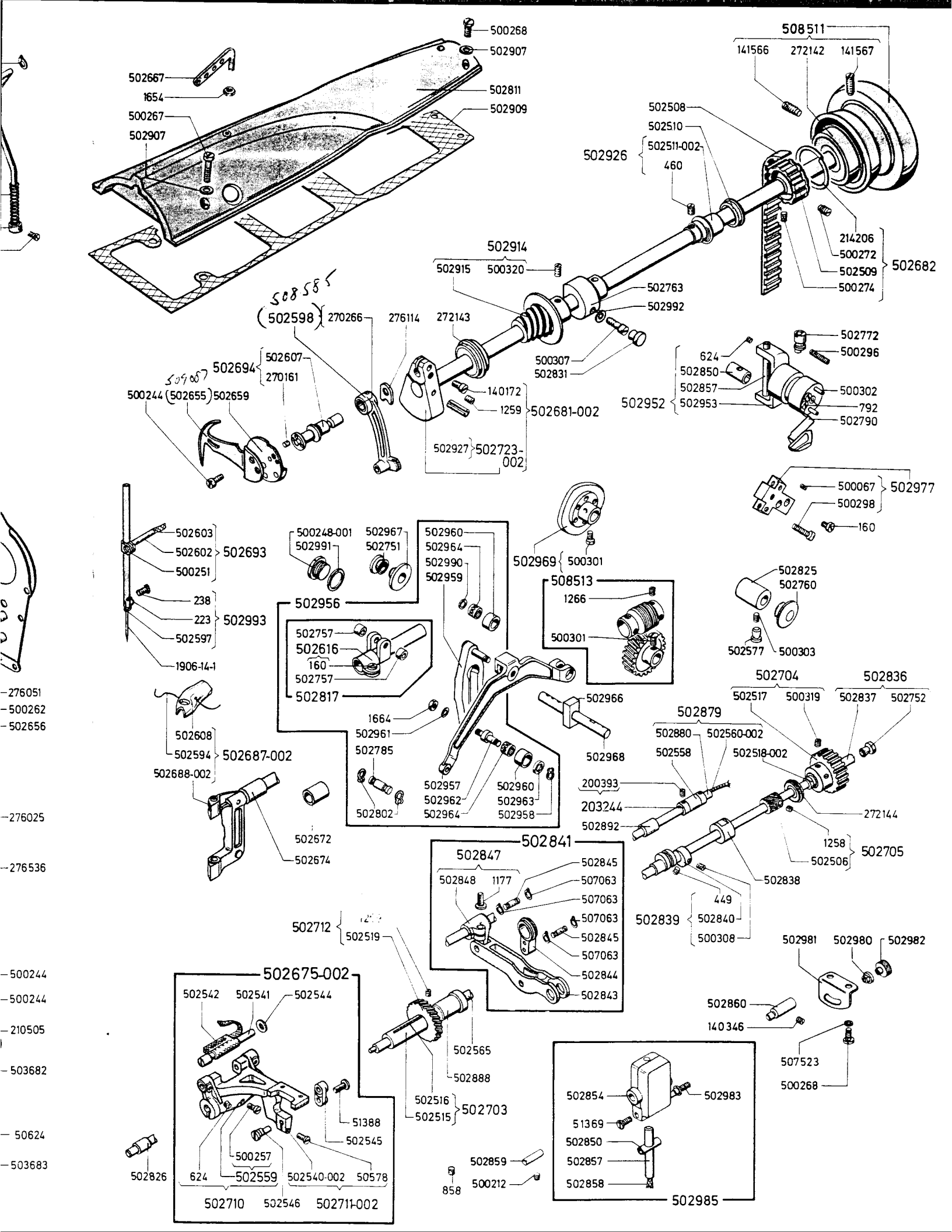
ILLUSTRATED  
PARTS LIST  
FORM - NO. 30-332 G  
(368/930)  
FOR MACHINES  
457 G 130, 457 G 135,  
457 G 155, 457 GX6

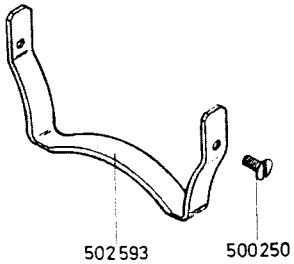
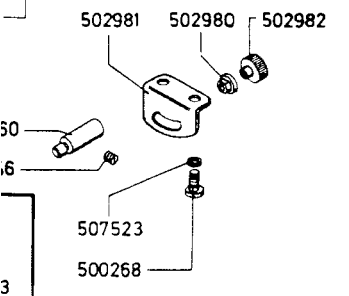
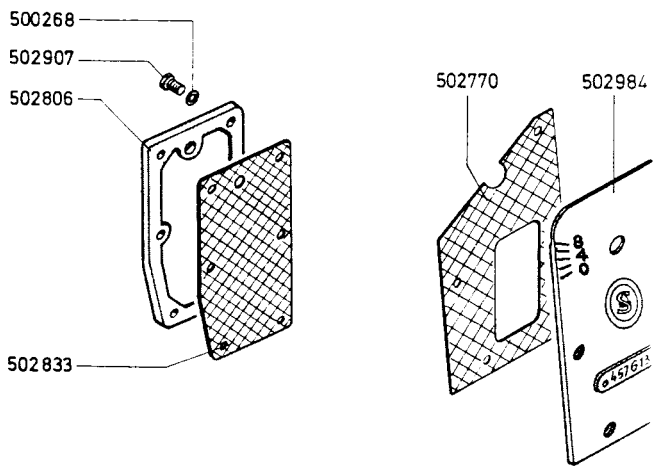
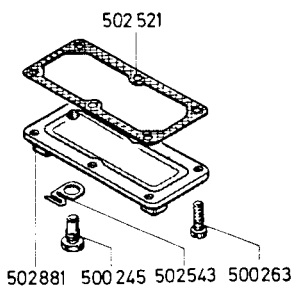
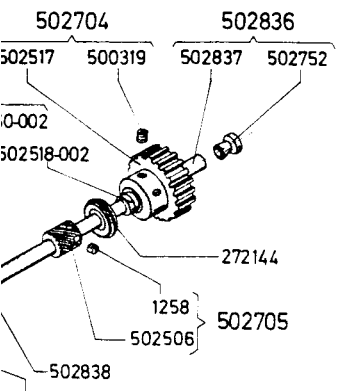
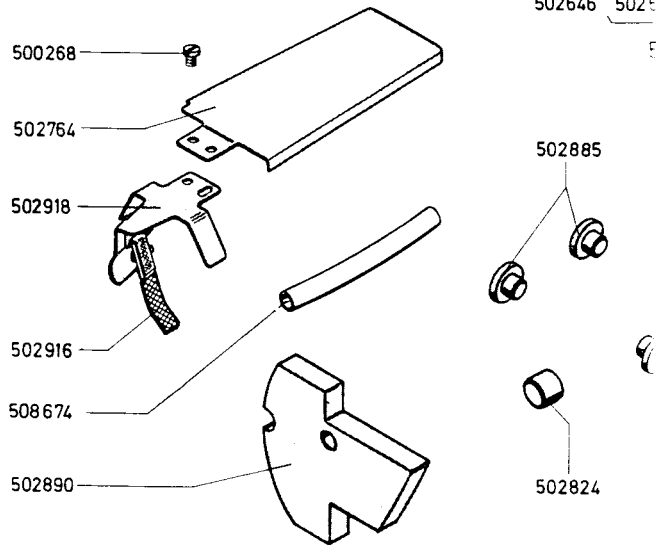
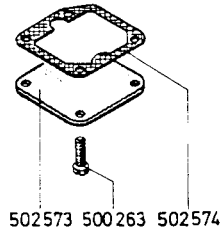
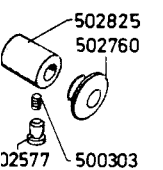
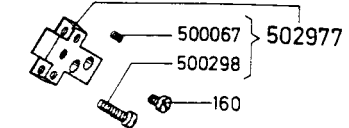
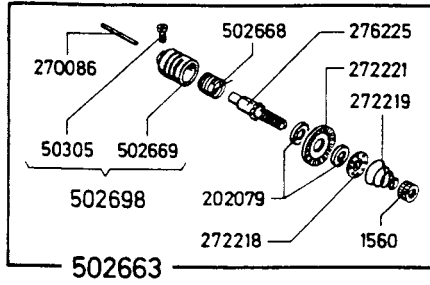
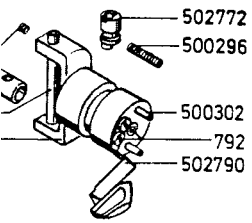
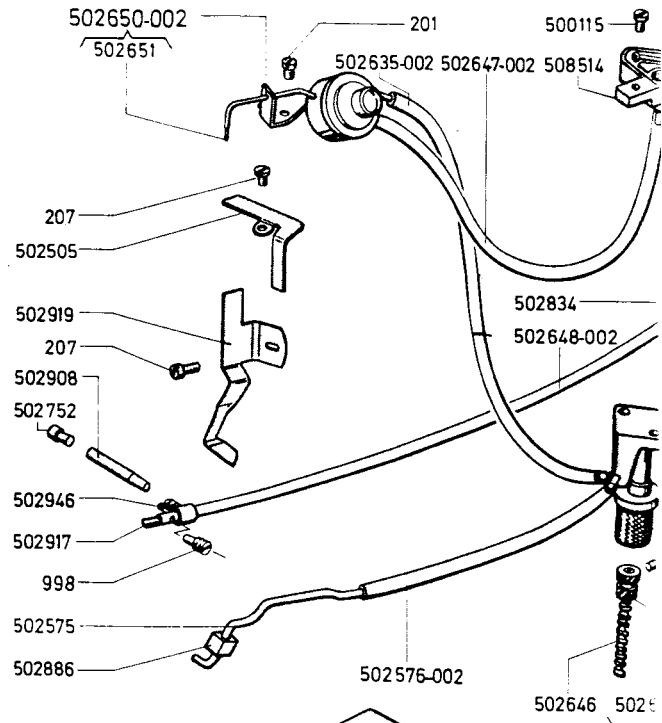
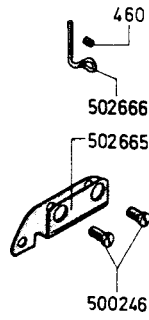
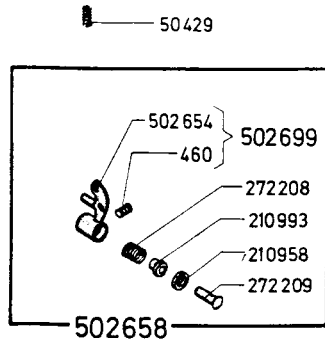
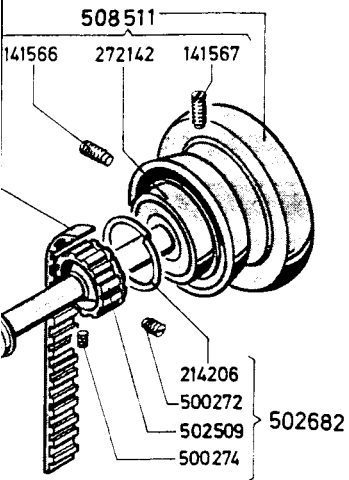


MACHINE 457 G 130

PARTS FOR MACHINES 457 G 130, 457 G 135,  
457 G 155 AND 457 GX6 (SEE NUMERICAL  
PARTS LIST ON REVERSE PAGE).

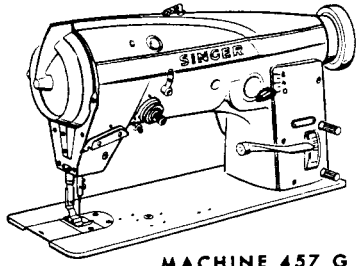




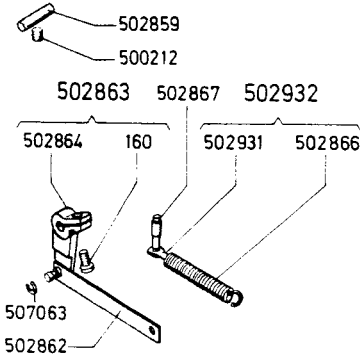
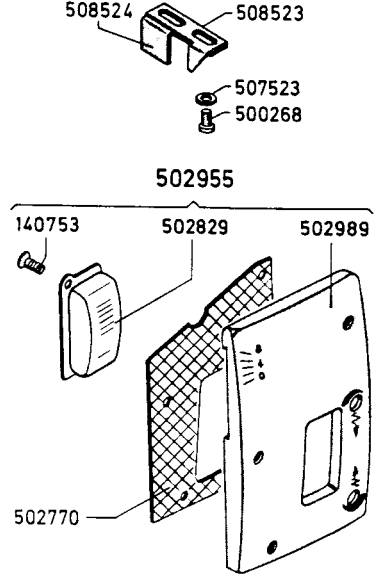
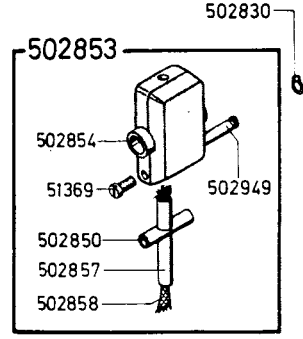
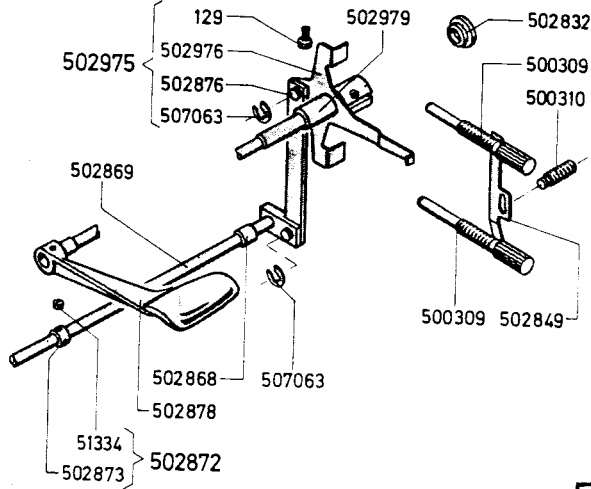


**THE SINGER COMPA**  
Copyright © 1968 by THE SINGER C.  
Printed in Western Germany

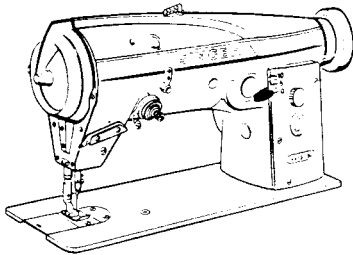
**PARTS FOR MACHINE 457 G 135,  
FOR PARTS NOT ILLUSTRATED AND/OR NOT  
INDICATED BY REFERENCE NUMBERS,  
REFER TO MACHINE 457 G 130.**



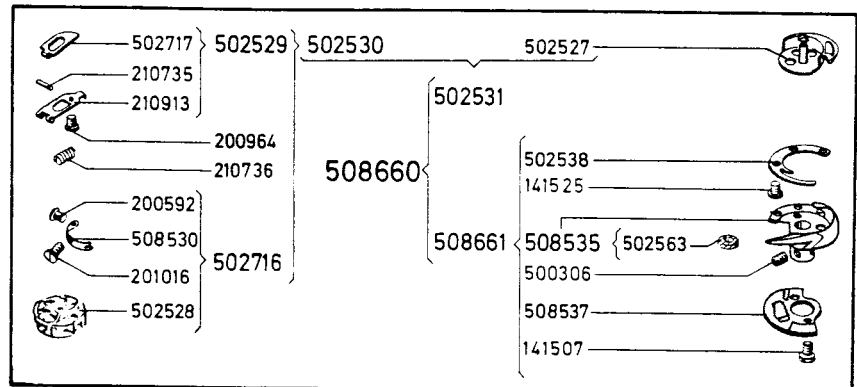
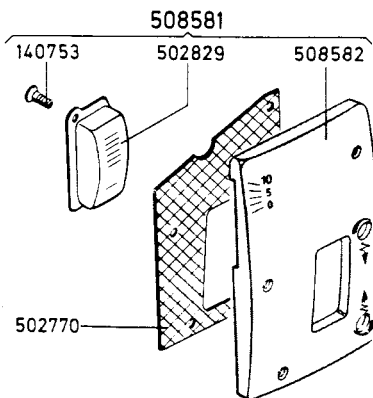
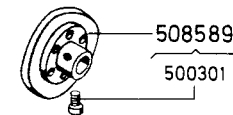
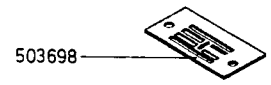
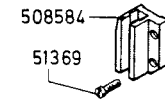
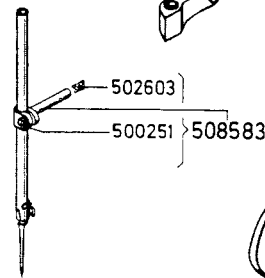
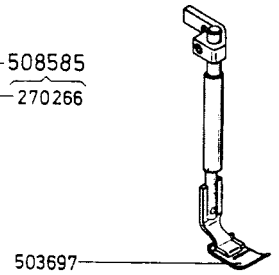
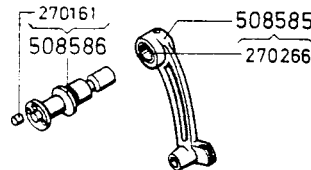
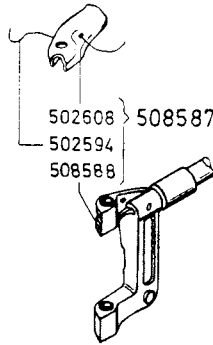
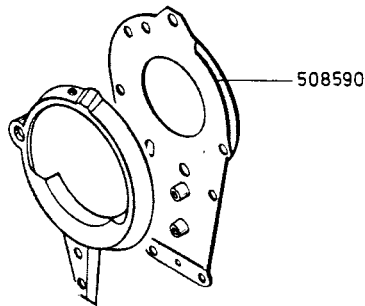
**MACHINE 457 G 135**



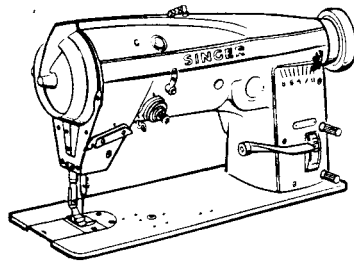
**PARTS FOR MACHINE 457 GX6  
FOR PARTS NOT ILLUSTRATED AND/OR NOT  
INDICATED BY REFERENCE NUMBERS,  
REFER TO MACHINE 457 G 130 AND 457 G 135.**



**MACHINE 457 GX6**

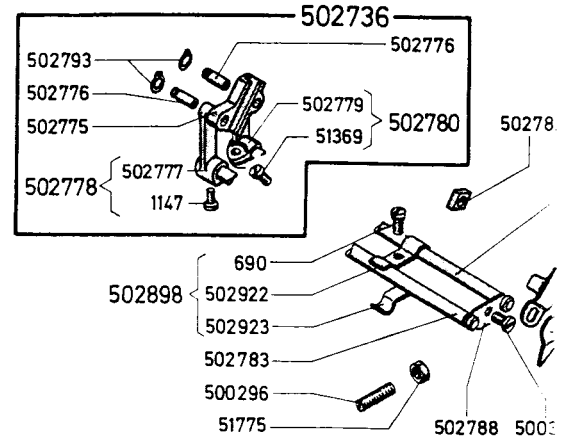
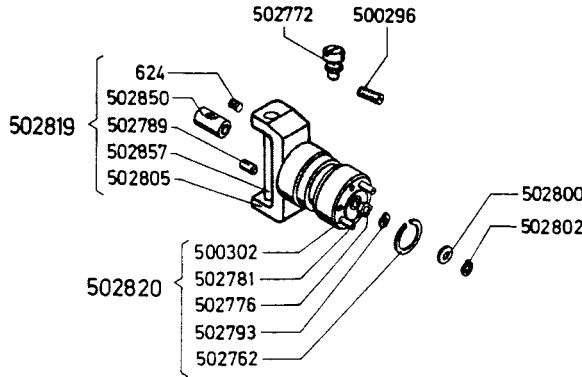
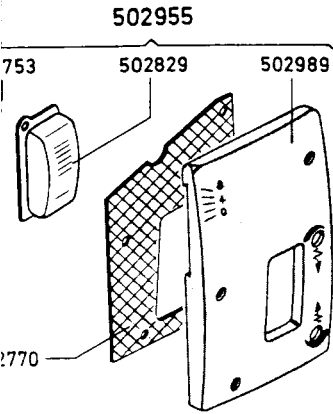
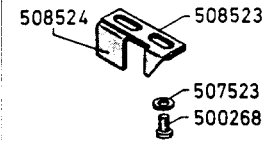


135,  
D AND/OR NOT  
NUMBERS,  
30.



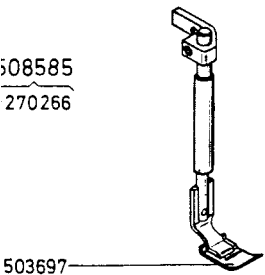
MACHINE 457 G 155

PARTS FOR MACHINE 457 G 155  
FOR PARTS NOT ILLUSTRATED AND/O  
INDICATED BY REFERENCE NUMBERS,  
REFER TO MACHINE 457 G 130 AND 4



GX6  
ED AND/OR NOT  
NUMBERS,  
130 AND 457 G 135.

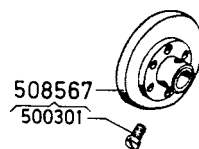
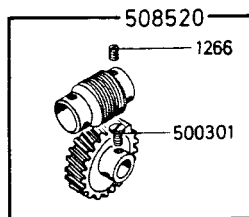
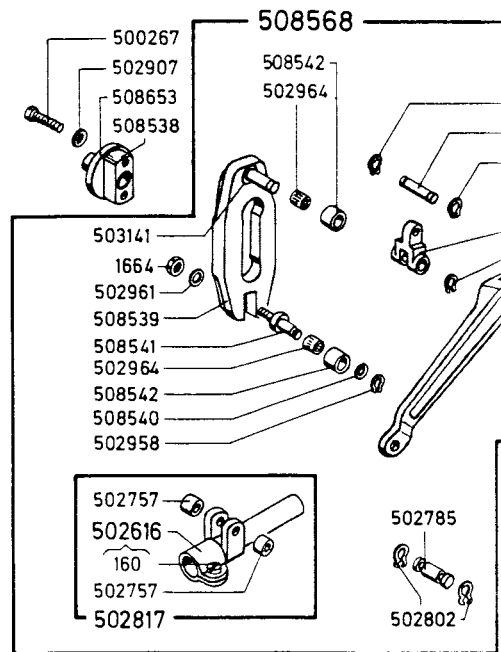
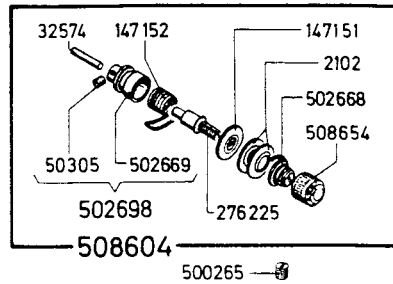
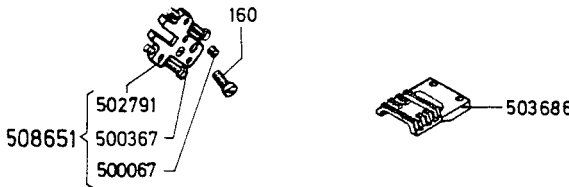
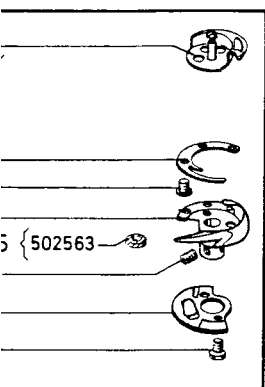
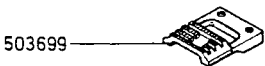
508585  
270266



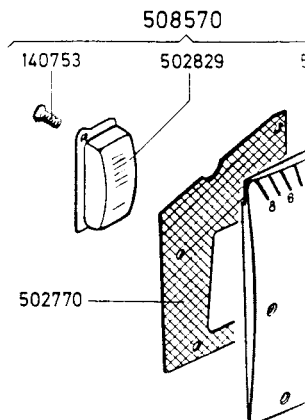
503697

503698

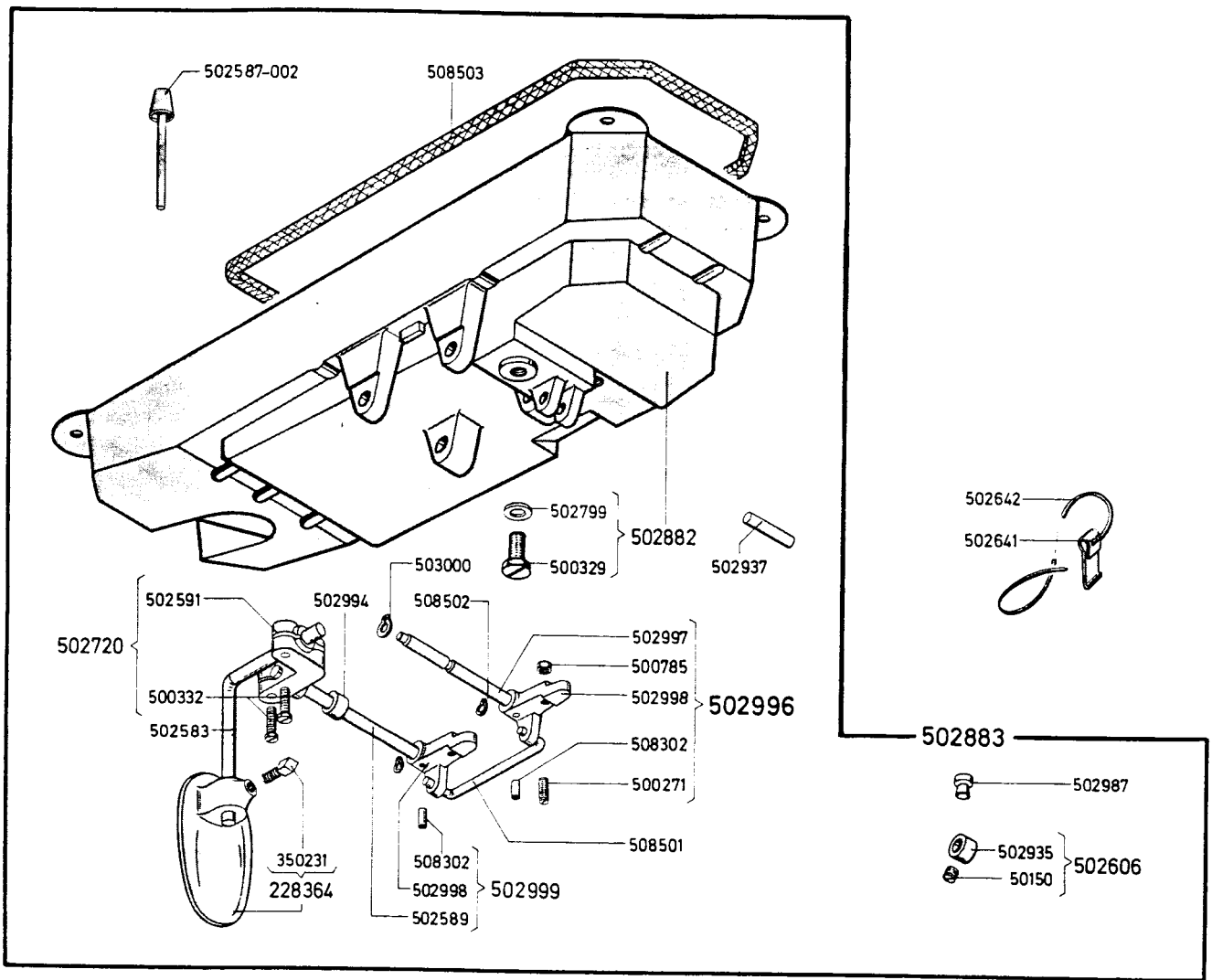
503699



508567  
500301



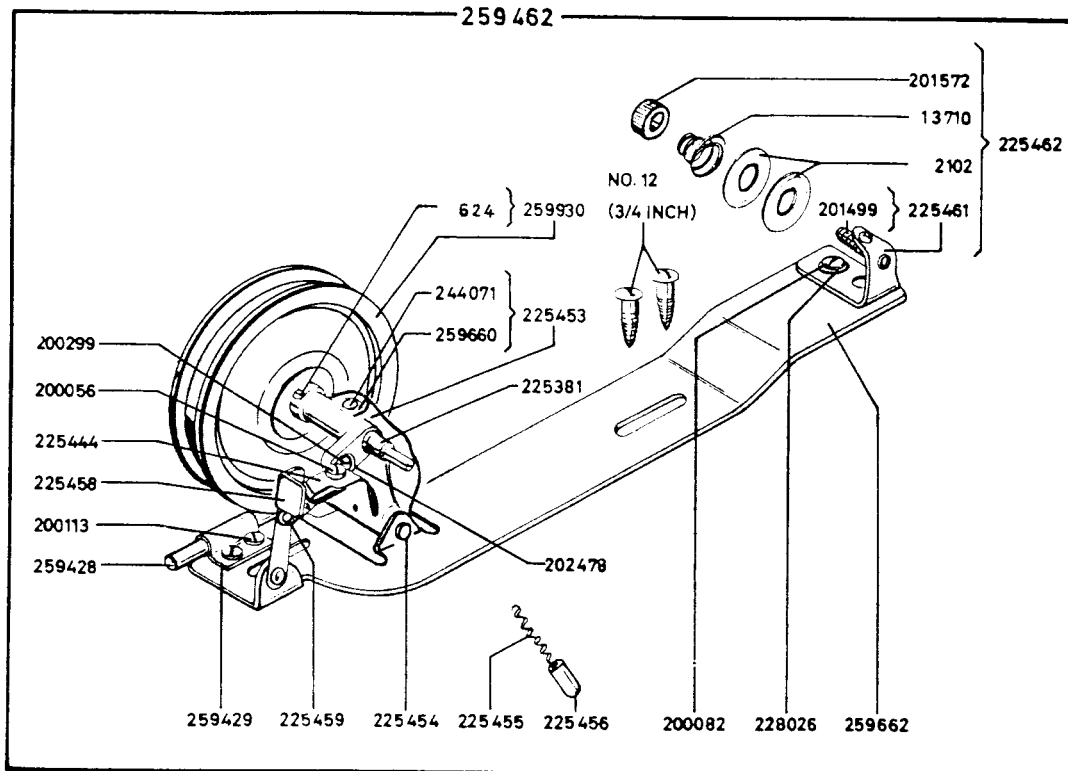
NOT  
G 135.



- 502793
- 502801
- 502793
- 508543
- 502958



## ACCESSORIES FOR MACHINES 457 G 130, 457 G 135, 457 G 155 AND 457 GX6



71

# PARTS FOR MACHINE 457 G 140

PART NO.	DESCRIPTION
000337-850	PRESSER FOOT SOLE (RIGHT) SCREW
000337-850	PRESSER FOOT SOLE (LEFT) SCREW
000624-833	FEED BAR HINGE PIN SET SCREW
000853-833	PRESSER FOOT BRACKET SET SCREW
001177-850	FEED CONTROL CONNECTION CRANK PINCH SCREW
001259-833	FEED CONTROL CAM WORM WHEEL AND WORM GEAR
001664-850	FEED CONTROL CAM FOLLOWER ARM RETAINING NUT
008752-14-1	NEEDLE (3)
008752-16-1	NEEDLE (3)
051775-850	FEED CONTROL CONNECTION CRANK ADJUSTING LOCK NUT
241422	PRESSER FOOT COMPENSATING SHANK SPRING
241424	PRESSER FOOT SOLE HINGE PIN (LEFT)
241424	PRESSER FOOT SOLE HINGE PIN (RIGHT)
266008	FEED DOG
500014-850	FEED CONTROL CAM MOUNTING BRACKET BUSHING SET SCREW
500196-814	MACHINE GROUNDING WIRE SCREW
500257-850	FEED DRIVING ROCK SHAFT CRANK PINCH SCREW
500267-850	FEED CONTROL CAM MOUNTING BRACKET SCREW (3)
500301-850	FEED CONTROL CAM WORM WHEEL AND WORM GEAR SCREW (2)
500301-850	FEED CONTROL CAM SET SCREW (2)
500301-850	FEED CONTROL CAM SET SCREW (2) (FOR ACCESSORIES)
500305-850	PRESSER FOOT COMPENSATING CONNECTION HINGE SCREW
500306-850	FEED BAR LIFTING LINK HINGE PIN PINCH SCREW
500397-805	FEED CONTROL CONNECTION HINGE SCREW
500404-833	SEPARATOR BLOCK SCREW (5)
500763	FEED CONTROL CONNECTION LOCK NUT
502541	FEED BAR HINGE PIN
502542	FEED BAR HINGE PIN OILING FELT CPL.
502544	FEED BAR HINGE PIN THRUST WASHER (2)
502559	FEED DRIVING ROCK SHAFT CRANK WITH 500257
502710	FEED DRIVING ROCK SHAFT CRANK WITH 624 AND 502559
502744	FEED CONTROL CAM FOLLOWER ARM RETAINING RING
502769	FEED CONTROL CAM MOUNTING BRACKET POSITION PIN (2)
502802	FEED CONTROL CAM FOLLOWER ARM HINGE PIN RETAINING RING
502832	FEED REGULATING SHAFT PLUG (BACK)
502960	FEED CONTROL CAM FOLLOWER (2)
502961	FEED CONTROL CAM FOLLOWER BELLEVILLE WASHER
502963	FEED CONTROL CAM FOLLOWER ARM WASHER
502964	FEED CONTROL CAM FOLLOWER ARM NEEDLE BEARING (2)
507986	ARM PLUG (FRONT)
502990	FEED CONTROL CAM FOLLOWER ARM BELLEVILLE WASHER
503090	FEED CONTROL CAM FOLLOWER ARM WASHER (2)
503652	PRESSER FOOT BRACKET WITH 853
503653	PRESSER FOOT COMPENSATING CONNECTION
503656	PRESSER FOOT COMPENSATING SHANK (RIGHT)
503656	PRESSER FOOT COMPENSATING SHANK (LEFT)
503657	PRESSER FOOT COMPENSATING SHANK HINGE PIN
503769	PRESSER FOOT (HINGED) COMPENSATING
503770	PRESSER FOOT COMPENSATING SHANK CPL. (RIGHT) NOS. 241424, 503656 AND 503771
503771	PRESSER FOOT SOLE (RIGHT) WITH 337
503772	PRESSER FOOT COMPENSATING SHANK CPL. (LEFT) NOS. 241424, 503656 AND 503773
503773	PRESSER FOOT SOLE (LEFT) WITH 337
503774	THROAT PLATE
503775-006	SEPARATOR BLOCK WITH 500404 (FOR ACCESSORIES)
503775-008	SEPARATOR BLOCK WITH 500404 (FOR ACCESSORIES)
503775-010	SEPARATOR BLOCK WITH 500404
503775-012	SEPARATOR BLOCK WITH 500404 (FOR ACCESSORIES)
503775-014	SEPARATOR BLOCK WITH 500404 (FOR ACCESSORIES)
503776	FEED DOG (ACCESSORIES)
507523	FEED CONTROL CONNECTION ADJUSTING SCREW BELLEVILLE WASHER
508640	MACHINE PLUG
508783	FEED DRIVING ROCK SHAFT BUSHING (RIGHT)
508785	FEED CONTROL CAM WORM WHEEL AND WORM GEAR CPL. WITH 1259 AND 500301
508787	FEED CONTROL CAM MOUNTING BRACKET WITH 500014
508788	FEED CONTROL CAM SHAFT
508789	FEED CONTROL CAM WITH 500301
508790	FEED CONTROL CAM FOLLOWER CPL. NOS. 1664, 502802, 502960, 502961, 502964, 508791, 508792 AND 508793
508791	FEED CONTROL CAM FOLLOWER ARM HINGE SCREW
508792	FEED CONTROL CAM FOLLOWER ARM HINGE SCREW WASHER
508793	FEED CONTROL CAM FOLLOWER ARM HINGE PIN
508794	FEED CONTROL CONNECTION ADJUSTING SCREW
508795	FEED CONTROL CONNECTION CPL. NOS. 500763, 508796 AND 508797
508796	FEED CONTROL CONNECTION BALL JOINT (FEMALE)
508797	FEED CONTROL CONNECTION BALL JOINT (MALE)
508798	FEED CONTROL CONNECTION CRANK WITH 1177
508799	FEED DRIVING ROCK SHAFT WITH 502560-002
508800	FEED DRIVING ROCK SHAFT CRANK CPL. NOS. 502541, 502542, 502544, 502710 AND 508801
508801	FEED BAR WITH 500306, 508802 AND 508803
508802	FEED BAR LIFTING BLOCK
508803	FEED BAR LIFTING BLOCK ECCENTRIC PIN
508804	FEED CONTROL CAM (FOR ACCESSORIES) WITH TWO 500301
508805	ROTARY TAKE-UP
508806	ROTARY TAKE-UP GUARD
512008	MACHINE GROUNDING WIRE WASHER
512021	MACHINE GROUNDING WIRE LOCK WASHER
512035	FEED CONTROL CAM MOUNTING BRACKET SCREW LOCK WASHER
603271	MACHINE GROUNDING WIRE
603291	MACHINE GROUNDING WIRE SYMBOL