

Singer

755U 203

755U 303

756U 203

756U 303

ILLUSTRATED PARTS LIST

SINGER®

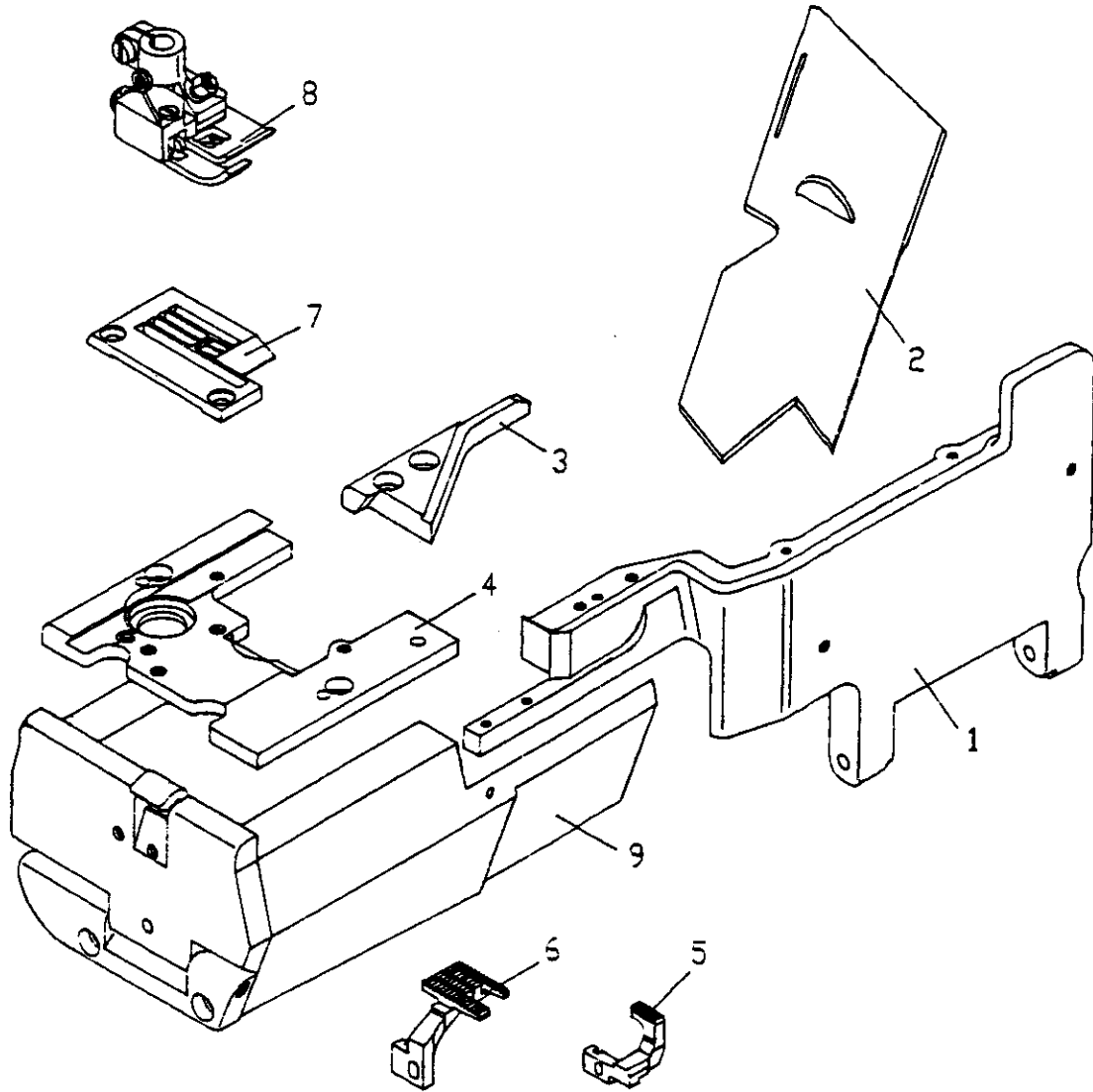
MACHINE

755U 203 (CYL. BED, BOTTOM COVER)
 (2N, TAPE BINDING)
 303 (3N, TAPE BINDING)

756U 203 (CYL. BED, TOP + BOTTOM COVER)
 (2N, TAPE BINDING)
 303 (3N, TAPE BINDING)

WHICH DIFFER FROM 755U200 MACHINE
 300
 756U200
 300

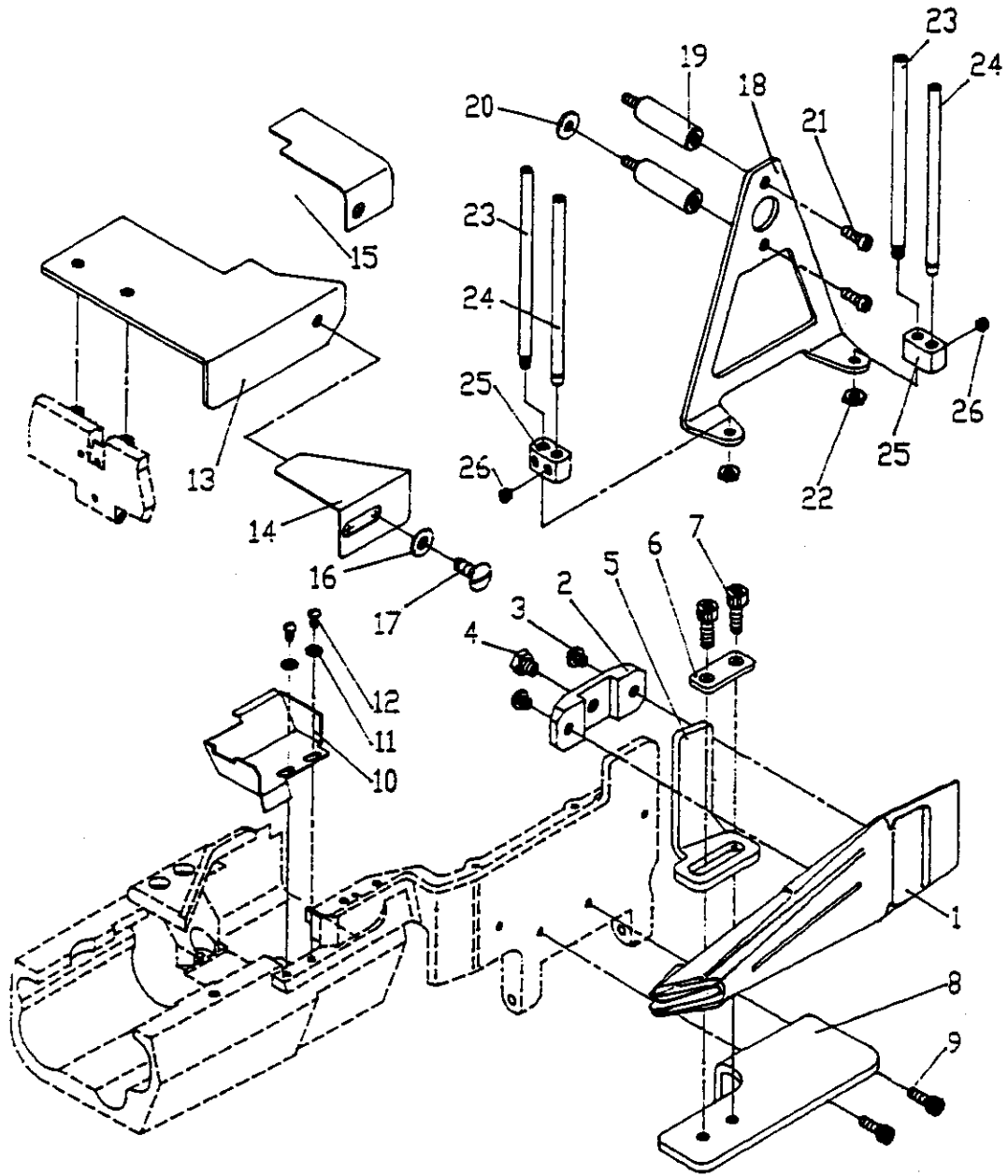
1. COLLARETTES OR KNITTED BINDING






Collarettes or Knitted Binding

<u>Ref. No.</u>	<u>Part No.</u>	<u>Description</u>	<u>Q' ty</u>
1	VC030101C200	Front Cover	1
2	VC030102B700	Dust Cover	1
3	VC030103C700	Guide	1
4	VC030104E200	Needle Plate Seat	1
5	VDFC03641	Differential Feed Dog	1
6	VFDC03640	Main Feed Dog	1
7	VTPC03403	Needle Plate (Gauge : 4.0 mm for 755U203/756U203)	1
7	VTPC03483	Needle Plate (Gauge : 4.8 mm for 755U203/756U203)	1
7	VTPC03563	Needle Plate (Gauge : 5.6 mm)	1
7	VTPC03643	Needle Plate (Gauge : 6.4 mm)	1
8	VPFC03403	Presser Foot (Gauge : 4.0 mm for 755U203/756U203)	1
8	VPFC03483	Presser Foot (Gauge : 4.8 mm for 755U203/756U203)	1
8	VPFC03563	Presser Foot (Gauge : 5.6 mm)	1
8	VPFC03643	Presser Foot (Gauge : 6.4 mm)	1
9	VC030109A200	Frame Unit	1

2. FOLDER AND TAPE GUIDE



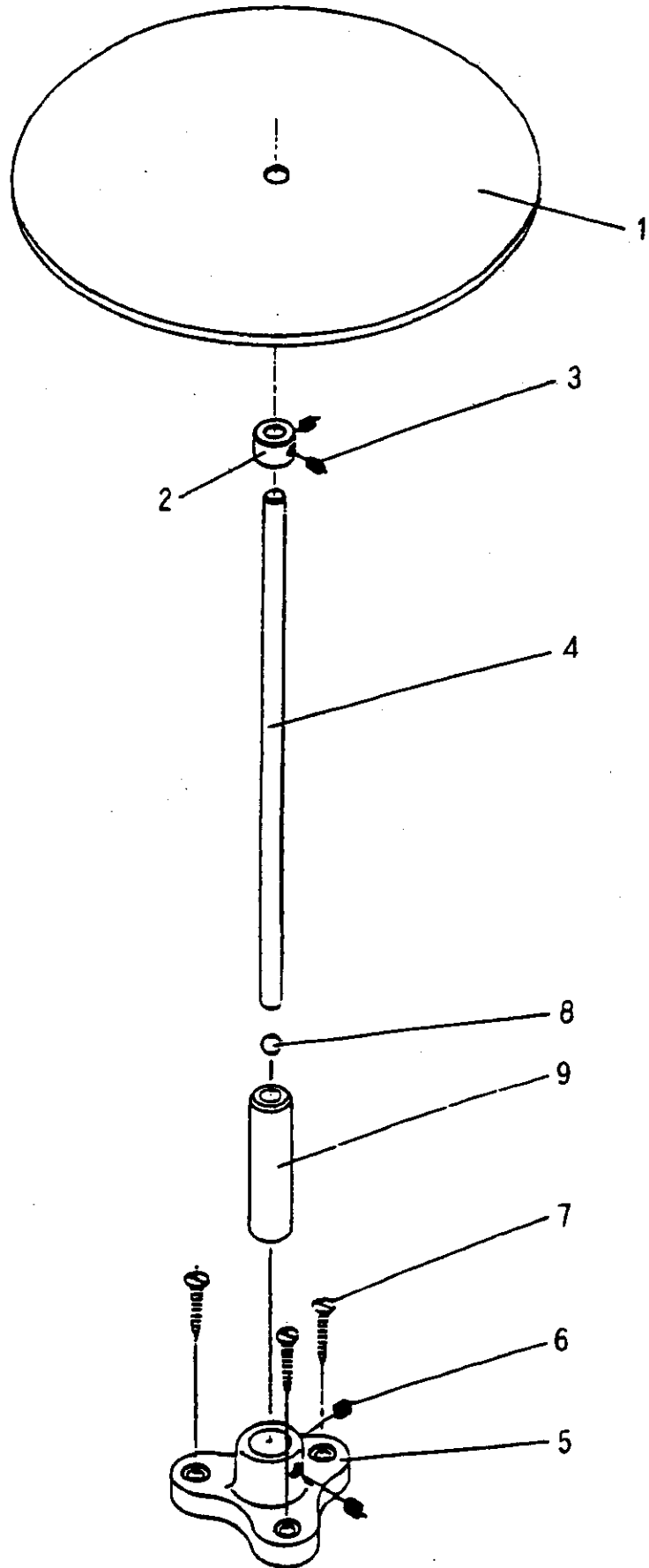
1. Folder Type

	Two Fold	Three Fold	Four Fold
Folder Type			
Part No.	VC030201FD2	VC030201FD3	VC030201FD4

Folder and Tape Guide

<u>Ref. No.</u>	<u>Part No.</u>	<u>Description</u>	<u>Q' ty</u>
1	-----	Folder (See List Left) -----	1
2	VC030202B400	Folder Clamp -----	1
3	VSB44400407A	Screw -----	2
4	VSK56320608A	Screw -----	1
5	VC030205B700	Folder Support -----	1
6	VC030206B700	Fixing Plate -----	1
7	VMM05321409A	Screw -----	2
8	VC030208B700	Folder Seat -----	1
9	VMM04281207A	Screw -----	2
10	VC030210B700	Dust Cover -----	1
11	VC030211PW	Washer -----	2
12	VMB03200606A	Screw -----	2
13	VC030213C700	Cloth Plate -----	1
14	VC030214C700	Fabric Slide Plate -----	1
15	VC030215C700	Auxiliary Cloth Plate -----	1
16	VC030216PW	Washer -----	1
17	VMB05320710A	Screw -----	1
18	VC030218B700	Tape Guide Holder -----	1
19	VC030219C300	Stud -----	2
20	VC030220PW	Washer -----	1
21	VMC04280807D	Screw -----	2
22	VSA44400307A	Nut -----	2
23	VC030223C300	Tape Guide Holder -----	2
24	VC030224C300	Tape Guide Holder -----	2
25	VC030225B400	Tape Adjusting Holder -----	2
26	VSN44400400A	Screw -----	4

3. TAPE STAND



Tape Stand

<u>Ref. No.</u>	<u>Part No.</u>	<u>Description</u>	<u>Q' ty</u>
1	VTS0050101	Plastic Plate -----	1
2	V6030533D300	Ring -----	1
3	VSH5632C500A	Screw -----	2
4	VTS0050104	Rod -----	1
5	VTS0050105	Stand Base -----	1
6	VSK60281207F	Screw -----	2
7	VWF50202210A	Screw -----	3
8	VB0100	Ball -----	1
9	VTS0050109	Stand Base -----	1