

**JUKI®**

**1-Needle, Lockstitch, Unison-sewing Machine with  
Automatic Thread Trimmer  
(2-pitch dial, needle thread clamp and 5mm short-thread remaining type)**  
一本針本縫総合送り自動糸切りミシン  
(2Pダイヤル、上糸掴み、5 mm 残短仕様)

**LU-2220N-7**

# **PARTS LIST**

---

## HOW TO MAKE USE OF THIS PARTS LIST

- 1.As to "#01" and "#02" refer to the "Note" given at the bottom of the respective pages.
- 2.Codes on the "Qty" column
  - Each numeral indicates the number of parts required.
  - "0.1" and "2.5" indicate the length (in meters) of the respective parts.
- 3.Parentheses mean that the corresponding part is a subpart that constructs an assembly part.
- 4.Dotted lines on the Figures indicate assembly parts.
- 5.As to the parts with marks of "☆"(Consumable parts)and "◎"(optional parts)on the respective parts, it is recommended to prepare spares.

### パーツリストご利用に際して

1. リストページの #01、#02 の印は、ページ下の "注記" の説明を参照下さい。
2. 数量欄の数字は、個数を表し、0.1、2.5 等の数値は、長さ (単位メートル) を表します。
3. 数量欄の ( ) は、組部品を構成している子部品であることを意味します。
4. イラストページの ----- 枠は、組構成であることを意味します。
5. リストページの "☆" (消耗部品)、"◎" (オプション部品) の印がついた部品は、予備を準備しておくことをお奨めします。

# CONTENTS

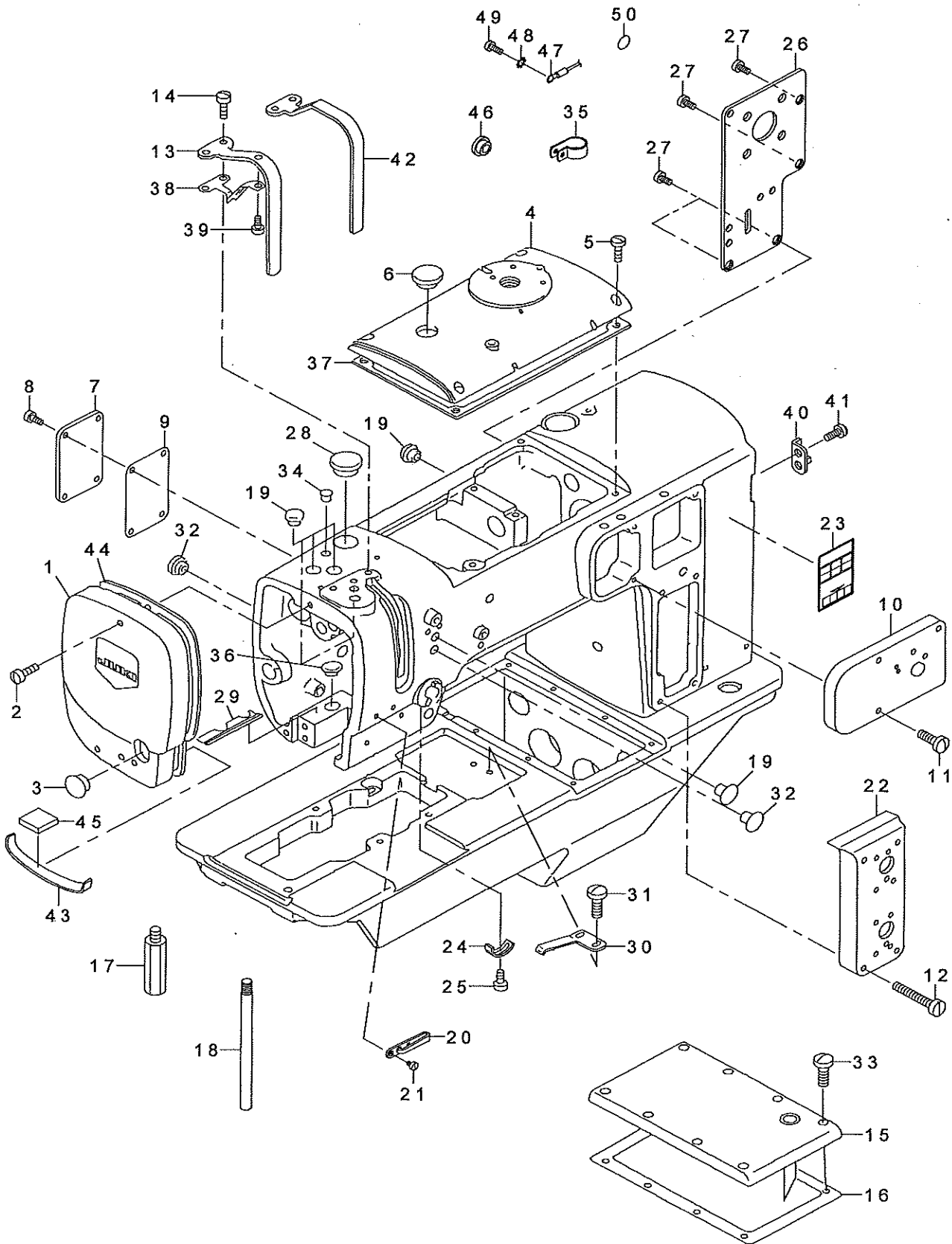
## 目次

|                                                                                          |    |
|------------------------------------------------------------------------------------------|----|
| 1. FRAME & MISCELLANEOUS COVER COMPONENTS .....                                          | 1  |
| 頭部・外装関係                                                                                  |    |
| 2. MAIN SHAFT,HOOK DRIVING SHAFT DELIVERY & THREAD TAKE-UP LEVER COMPONENTS .....        | 3  |
| 上軸・下軸伝達装置・天秤関係                                                                           |    |
| 3. NEEDLE BAR ROCKING COMPONENTS .....                                                   | 5  |
| 針棒揺動関係                                                                                   |    |
| 4. UPPER FEED MECHANISM COMPONENTS .....                                                 | 7  |
| 上送り関係                                                                                    |    |
| 5. FEED ADJUSTMENT & REVERSE FEED MECHANISM COMPONENTS .....                             | 9  |
| 送り調節・逆送り関係                                                                               |    |
| 6. LOWER FEED MECHANISM COMPONENTS .....                                                 | 11 |
| 下送り関係                                                                                    |    |
| 7. THREAD TRIMMER COMPONENTS (1) .....                                                   | 13 |
| 糸切り関係 (1)                                                                                |    |
| 8. THREAD TRIMMER COMPONENTS (2) .....                                                   | 15 |
| 糸切り関係 (2)                                                                                |    |
| 9. HOOK SHAFT BASE COMPONENTS .....                                                      | 17 |
| 釜軸台関係                                                                                    |    |
| 10. HOOK COMPONENTS .....                                                                | 19 |
| 釜関係                                                                                      |    |
| 11. NEEDLE THREAD CLAMP MECHANISM COMPONENTS .....                                       | 20 |
| 上糸掴み装置関係                                                                                 |    |
| 12. THREAD TENSION COMPONENTS .....                                                      | 21 |
| 糸調子関係                                                                                    |    |
| 13. LOWER THREAD WINDER MECHANISM COMPONENTS .....                                       | 22 |
| 下糸巻き装置関係                                                                                 |    |
| 14. PRESSURE ADJUSTING COMPONENTS .....                                                  | 23 |
| 押え圧調節関係                                                                                  |    |
| 15. PRESSER LIFTER,AUTOMATIC PRESSER LIFTER & TENSION RELEASE MECHANISM COMPONENTS ..... | 24 |
| 押え上げ・自動押え上げ・糸ゆるめ機構関係                                                                     |    |
| 16. 2P DEVICE .....                                                                      | 25 |
| 2 P 装置                                                                                   |    |
| 17. MUTUAL RISING QUANTITY TRANSFER COMPONENTS .....                                     | 26 |
| 交互上昇量切替装置関係                                                                              |    |
| 18. BACK TUCK COMPONENTS .....                                                           | 27 |
| バックタック関係                                                                                 |    |
| 19. LUBRICATION COMPONENTS .....                                                         | 29 |
| 給油関係                                                                                     |    |
| 20. 6RANG SWITCH COMPONENTS .....                                                        | 31 |
| 6連スイッチ関係                                                                                 |    |

|                                               |    |
|-----------------------------------------------|----|
| 21. PNEUMATIC COMPONENTS .....                | 32 |
| エア-装置関係                                       |    |
| 22. TABLE & BELT COVER COMPONENTS .....       | 33 |
| テーブル・ベルトカバー関係                                 |    |
| 23. THREAD STAND COMPONENTS.....              | 34 |
| 糸立て装置関係                                       |    |
| 24. GAUGE COMPONENTS.....                     | 35 |
| ゲージ関係                                         |    |
| 25. ACCESSORIES PARTS COMPONENTS.....         | 36 |
| 付属品関係                                         |    |
| 26. TABLE OF EXCHANGING GAUGE PARTS (1) ..... | 37 |
| 交換ゲージ部品一覧表 (1)                                |    |
| 27. TABLE OF EXCHANGING GAUGE PARTS (2) ..... | 39 |
| 交換ゲージ部品一覧表 (2)                                |    |
| NUMERICAL INDEX OF PARTS.....                 | 41 |
| 索引                                            |    |

# 1. FRAME & MISCELLANEOUS COVER COMPONENTS

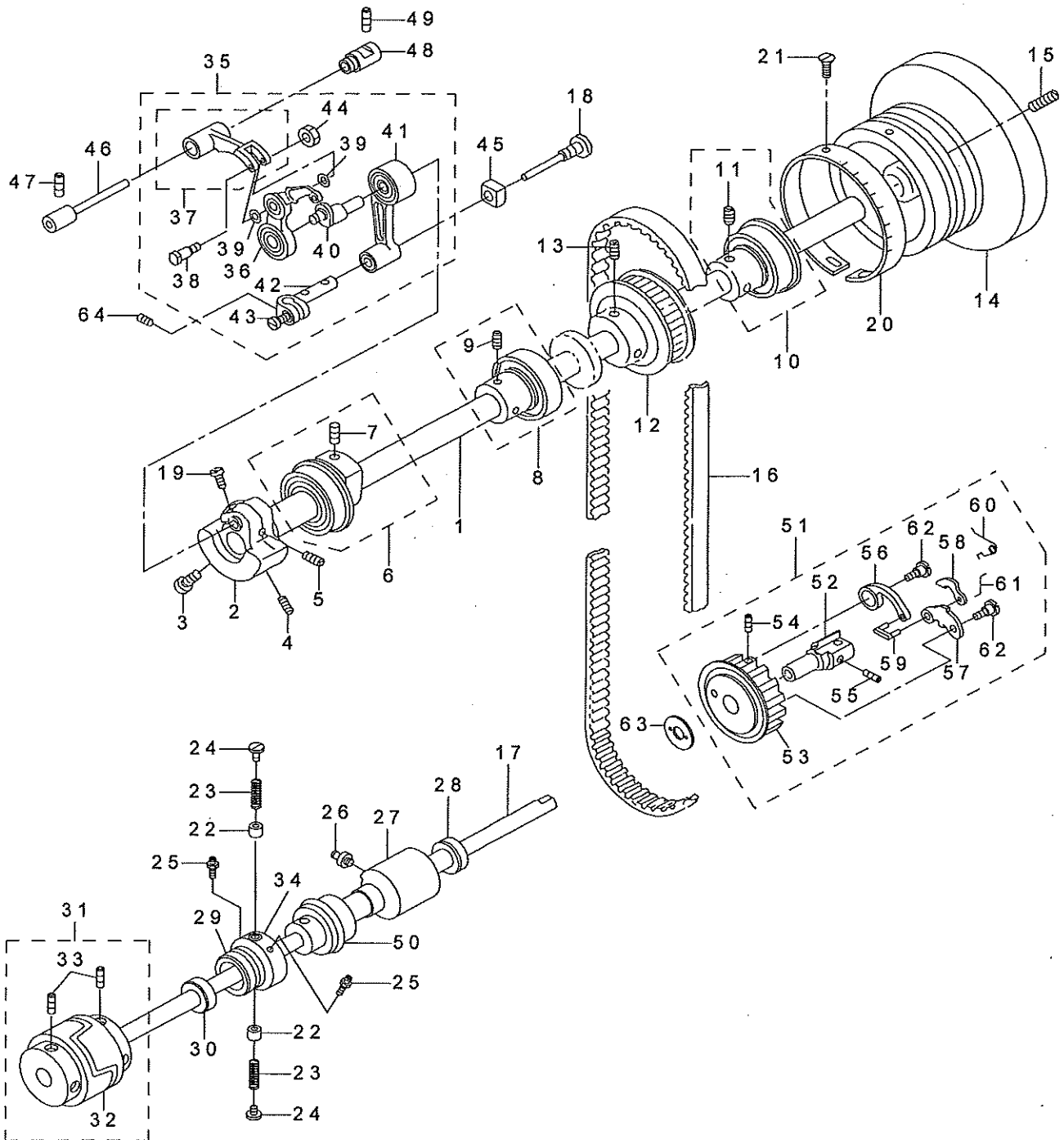
頭部・外装関係



| REF.NO | NOTE | PART NO       | DESCRIPTION                                                 | 品名                     | Qty |
|--------|------|---------------|-------------------------------------------------------------|------------------------|-----|
| 1      |      | 107-43151     | FACE PLATE ASM.                                             | 面板組                    | 1   |
| 2      |      | SS-7121610-SP | SCREW 3/16-28 L=15.5                                        | 丸平ねじ 3/16-28 L=15.5    | 2   |
| 3      |      | TA-1250406-R0 | RUBBER PLUG D=12.5 L=4                                      | 止栓 D=12.5 L=4          | 1   |
| 4      |      | 400-64238     | TOP_COVER_ASM.                                              | トップカバー (組)             | 1   |
| 5      |      | SS-6121010-SP | SCREW 3/16-28 L=10                                          | 平ねじ 3/16-28 L=10       | 4   |
| 6      |      | TA-2050406-R0 | RUBBER PLUG                                                 | 止栓                     | 1   |
| 7      |      | 107-43003     | SIDE COVER                                                  | 側面カバー                  | 1   |
| 8      |      | SS-6121010-SP | SCREW 3/16-28 L=10                                          | 平ねじ 3/16-28 L=10       | 4   |
| 9      |      | 107-00706     | SIDE COVER PACKING                                          | 側面カバーパッキン              | 1   |
| 10     |      | 400-27140     | FACE APERTURE PLATE (A) ASM.                                | 正面窓 A (組)              | 1   |
| 11     |      | SS-7121610-SP | SCREW 3/16-28 L=15.5                                        | 丸平ねじ 3/16-28 L=15.5    | 3   |
| 12     |      | SS-6123010-SP | SCREW 3/16-28 L=30.0                                        | 平ねじ 3/16-28 L=30       | 4   |
| 13     | #01  | 107-43201     | THREAD TAKE-UP COVER                                        | 天秤カバー                  | 1   |
| 14     |      | SS-6121010-SP | SCREW 3/16-28 L=10                                          | 平ねじ 3/16-28 L=10       | 2   |
| 15     |      | 107-42856     | BED TOP COVER ASM.                                          | ベッド上面カバー (組)           | 1   |
| 16     |      | 107-01209     | TOP COVER PACKING                                           | 上面カバーパッキン              | 1   |
| 17     |      | 107-01308     | BED STRUT                                                   | ベッド支柱                  | 1   |
| 18     |      | 107-77308     | BED STEW C                                                  | ベッド支柱 C                | 1   |
| 19     |      | TA-1050504-R0 | RUBBER PLUG                                                 | 止栓                     | 5   |
| 20     |      | 226-03203     | THREAD GUIDE (LOWER)                                        | 糸案内 (下)                | 1   |
| 21     |      | SS-6090510-TP | SCREW 9/64-40 L=5.0                                         | 平ねじ 9/64-40 L=5        | 1   |
| 22     |      | 400-27141     | FACE APERTURE PLATE (B) ASM.                                | 正面窓 B (組)              | 1   |
| 23     |      | CM-3012000-01 | SAFETY LABEL S                                              | 頭部注意安全シール (小)          | 1   |
| 24     |      | B3138-512-000 | TAKE-UP SPRING ADJUSTING PLATE                              | 糸取りばね案内調節板             | 1   |
| 25     |      | SS-7090520-TP | SCREW 9/64-40 L=4.5                                         | 丸平ねじ 9/64-40 L=4.5     | 1   |
| 26     |      | 400-25562     | APERTURE PLATE (A)                                          | 窓板 (A)                 | 1   |
| 27     |      | SS-6121010-SP | SCREW 3/16-28 L=10                                          | 平ねじ 3/16-28 L=10       | 4   |
| 28     |      | TA-2050406-R0 | RUBBER PLUG                                                 | 止栓                     | 1   |
| 29     |      | 107-31701     | RUBBER                                                      | 油防ゴム                   | 1   |
| 30     |      | B1111-563-000 | BED SLIDE SPRING                                            | 滑り板ばね                  | 1   |
| 31     |      | SS-7110510-SP | SCREW 11/64-40 L=5                                          | 丸平ねじ 11/64-40 L=5      | 2   |
| 32     |      | B1150-490-000 | RUBBER PLUG                                                 | 上送り連結腕キャップ             | 2   |
| 33     |      | SS-7110910-TP | SCREW 11/64-40 L=8.5                                        | 丸平ねじ 11/64-40 L=8.5    | 8   |
| 34     |      | TA-0750704-R0 | RUBBER PLUG                                                 | 止栓                     | 1   |
| 35     |      | HX-0015000-0J | CLIP                                                        | ケーブルクリップ               | 1   |
| 36     |      | TA-1250504-R0 | RUBBER PLUG                                                 | 止栓                     | 1   |
| 37     |      | 107-00508     | TOP COVER PACKING                                           | トップカバーパッキン             | 1   |
| 38     | #01  | 107-09004     | PLATE                                                       | 天秤油防板                  | 1   |
| 39     | #01  | SS-6110480-SP | SCREW 11/64-40 L=4.3                                        | 平ねじ 11/64-40 L=4.3     | 1   |
| 40     |      | 107-45800     | FLYWHEEL POINTER                                            | はずみ車                   | 1   |
| 41     |      | SS-7110510-SP | SCREW 11/64-40 L=5                                          | 丸平ねじ 11/64-40 L=5      | 2   |
| 42     | #02  | 107-54901     | THREAD TAKE-UP COVER                                        | 天秤カバー (JE仕様)           | 1   |
| 43     |      | 107-33103     | FACE PLATE FELT                                             | 面板フェルト                 | 1   |
| 44     |      | 107-04609     | FACE PLATE PACKING                                          | 面板パッキン                 | 1   |
| 45     |      | B3510-019-000 | OIL FELT                                                    | 還流フェルト                 | 1   |
| 46     |      | 107-32204     | CORD BUSH                                                   | コードブッシュ                | 1   |
| 47     |      | 229-51552     | GROUND WIRE ASM.                                            | アースコード (組)             | 1   |
| 48     |      | WT-0530002-KS | TOOTHED WASHER D=5.3                                        | 歯付座金 D=5.3             | 1   |
| 49     |      | SS-6111140-SP | SCREW 11/64-40 L=11                                         | 平ねじ 11/64-40 L=11      | 1   |
| 50     |      | 229-01805     | GROUND MARK                                                 | グラウンドマーク               | 1   |
|        |      | NOTE (注記)     | #01...EXCEPT USE IN JAPAN ,JE<br>#02...FOR USE IN JAPAN ,JE | 日本 ,JE は除く<br>日本 ,JE 用 |     |

## 2. MAIN SHAFT, HOOK DRIVING SHAFT DELIVERY & THREAD TAKE-UP LEVER COMPONENTS

上軸・下軸伝達装置・天秤関係

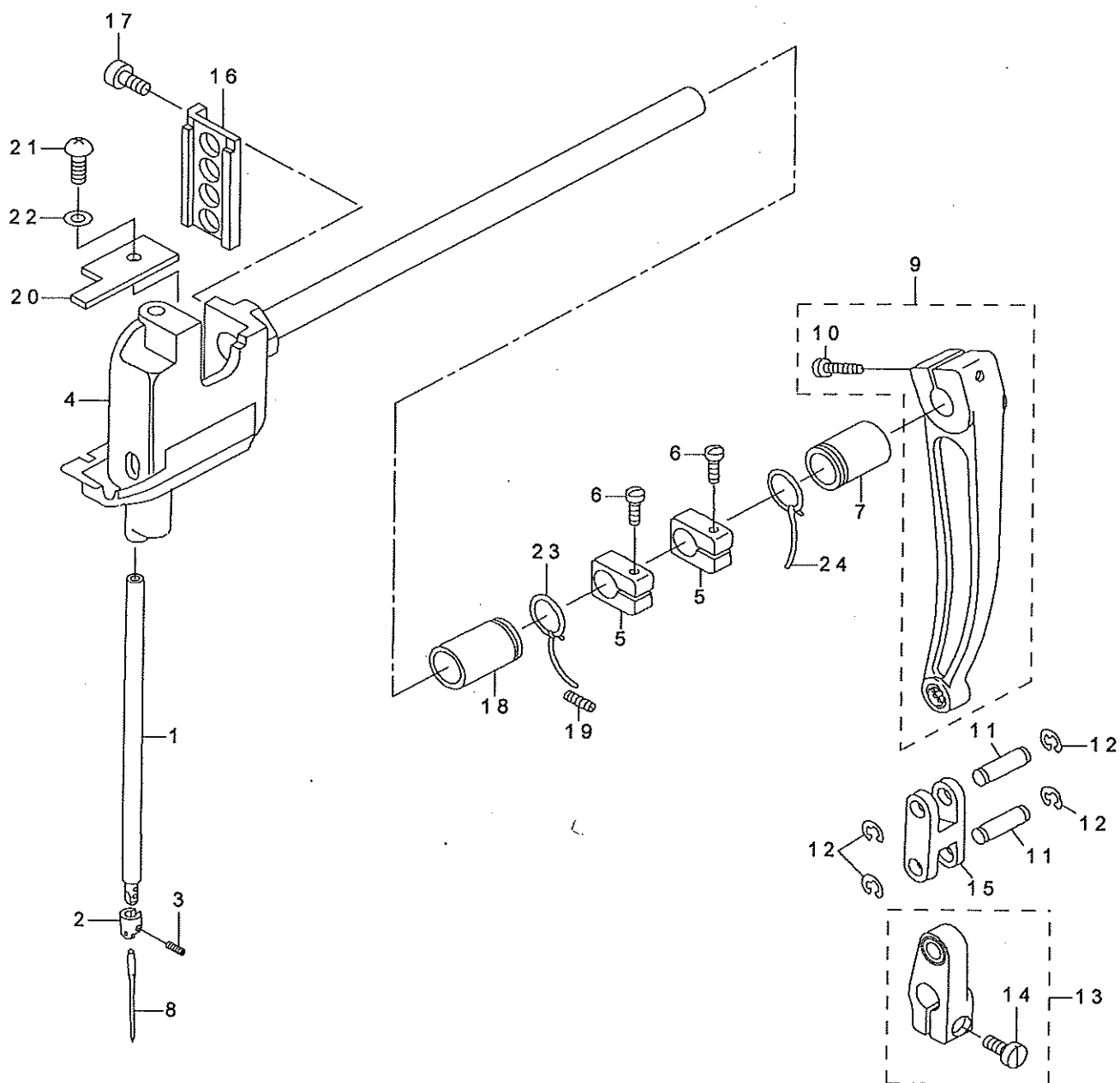


| REF.NO | NOTE | PART NO       | DESCRIPTION                    | 品名                  | Qty |
|--------|------|---------------|--------------------------------|---------------------|-----|
| 1      |      | 107-04401     | UPPER SHAFT                    | 上軸                  | 1   |
| 2      |      | 107-04500     | BALANCE WEIGHT                 | 釣合錘                 | 1   |
| 3      |      | SS-7681750-TP | SCREW 9/32-28 L=16.5           | 丸平ねじ 9/32-28 L=16.5 | 1   |
| 4      |      | SS-8681650-TP | SCREW 9/32-28 L=16             | 止めねじ 9/32-28 L=16   | 1   |
| 5      |      | SS-8660512-TP | SCREW 1/4-40 L=5               | 止めねじ 1/4-40 L=5     | 1   |
| 6      |      | 107-04757     | BALANCE WEIGHT                 | バランスウエイト (組)        | 1   |
| 7      |      | SM-8080802-TP | SCREW                          | 止めねじ                | (1) |
| 8      |      | 107-04955     | UPPER SHAFT BEARING HOOK A ASM | 上軸ベアリング受 (A) (組)    | 1   |
| 9      |      | SM-8060602-TP | SCREW M6X6                     | 止めねじ M6 L=6         | (2) |
| 10     |      | 107-04963     | UPPER SHAFT BEARING HOOK B ASM | 上軸ベアリング受 (B) (組)    | 1   |
| 11     |      | SM-8060602-TP | SCREW M6X6                     | 止めねじ M6 L=6         | (2) |
| 12     |      | 107-05002     | UPPER SPROCKET                 | 上スプロケット             | 1   |
| 13     |      | SM-8080802-TP | SCREW                          | 止めねじ                | 2   |
| 14     |      | 107-41007     | FLYWHEEL, LARGE                | はずみ車 (大)            | 1   |
| 15     |      | SS-8150822-TP | SCREW 15/64-28 L=8             | 止めねじ 15/64-28 L=8   | 2   |
| 16     | ☆    | 107-06703     | TIMING BELT                    | タイミングベルト            | 1   |
| 17     |      | 107-05408     | LOWER SHAFT                    | 下軸                  | 1   |
| 18     |      | 107-08303     | NEEDLE ROD THRUST SCREW        | 針棒角駒スラストねじ          | 1   |
| 19     |      | SS-6621220-SP | SCREW 3/16-32 L=12             | 平ねじ 3/16-32 L=12    | 2   |
| 20     |      | 107-45909     | FLYWHEEL SCALE PLATE           | はずみ車目盛板             | 1   |
| 21     |      | SM-3030650-SC | SCREW M3X0.5 L=6               | 丸小ねじ M3 X 0.5 L=6   | 3   |
| 22     |      | 110-20401     | PLUNGER                        | プランジャ               | 2   |
| 23     |      | 110-20609     | PLUNGER SPRING                 | プランジャばね             | 2   |
| 24     |      | 110-20500     | PLUNGER SCREW                  | プランジャねじ             | 2   |
| 25     |      | SQ-1110401-MZ | CONNECTING SCREW               | チューブ連結ねじ            | 2   |
| 26     |      | SQ-1150451-MZ | CONNECTING SCREW               | チューブ連結ねじ            | 1   |
| 27     |      | 107-75500     | LOWER SHAFT REAR METAL         | 下軸後メタル              | 1   |
| 28     |      | 107-05608     | LOWER SHAFT METAL OIL SEAL     | 下軸後メタルオイルシール        | 1   |
| 29     |      | 107-05754     | LOWER SHAFT FRONT METAL ASM.   | 下軸前メタル (組)          | 1   |
| 30     |      | 107-05608     | LOWER SHAFT METAL OIL SEAL     | 下軸後メタルオイルシール        | 1   |
| 31     |      | 400-64519     | LOWER SHAFT COUPLING SET       | 下軸カップリング (セット)      | 1   |
| 32     |      | 107-76656     | LOWER SHAFT COUPLING ASM.      | 下軸カップリング (組)        | (1) |
| 33     |      | SM-8060602-TP | SCREW M6X6                     | 止めねじ M6 L=6         | (4) |
| 34     |      | RO-2943101-00 | RUBBER RING                    | Oリング                | 1   |
| 35     |      | 107-71269     | BALANCE ASM.                   | 天秤 (組)              | 1   |
| 36     |      | 107-71251     | BALANCE JUNCTION COMPL.        | 天秤 (結合)             | (1) |
| 37     |      | 107-07156     | BALANCE CRANK JUNCTION         | 天秤クランク結合            | (1) |
| 38     |      | 107-54802     | BALANCE CRANK PIN.             | 天秤クランクピン            | (1) |
| 39     |      | 105-23702     | WASHER                         | 天秤クランクワッシャ          | (2) |
| 40     |      | 107-07602     | NEEDLE ROD CRANK               | 針棒クランク              | (1) |
| 41     |      | 107-07750     | NEEDLE ROD CRANK ROD ASM.      | 針棒クランクロッド組          | (1) |
| 42     |      | 107-07958     | NEEDLE ROD HOLDER ASM.         | 針棒抱き組               | (1) |
| 43     |      | SS-7090910-TP | SCREW 9/64-40 L=8.5            | 丸平ねじ 9/64-40 L=8.5  | (1) |
| 44     |      | NM-6040001-SN | NUT M4X0.7                     | 六角ナット M4            | (1) |
| 45     |      | 107-08006     | NEEDLE ROD SQUARE BLOCK        | 針棒角駒                | 1   |
| 46     |      | 107-07206     | BALANCE CRANK SHAFT            | 天秤クランク軸             | 1   |
| 47     |      | SS-8120740-SP | SCREW 3/16-28 L=7              | 止めねじ 3/16-28 L=7    | 1   |
| 48     |      | 107-07305     | BALANCE CRANK SHAFT SUPPORT    | 天秤クランク軸支え           | 1   |
| 49     |      | SM-8061212-TP | SCREW M6X12                    | 止めねじ M6 L=12        | 1   |
| 50     |      | RO-3122401-00 | O-RING                         | Oリング                | 1   |
| 51     |      | 107-75658     | SAFETY DEVICE ASM.             | 安全装置 (組)            | 1   |
| 52     |      | 107-75609     | SAFETY DEVICE HOOK             | 安全装置受け              | (1) |
| 53     |      | 107-06315     | LOWER SPROCKET                 | 下スプロケット             | (1) |
| 54     |      | SM-8040502-TP | SCREW M4X0.7 L=5               | 止めねじ M4 X 0.7 L=5   | (1) |
| 55     |      | SM-8060602-TP | SCREW M6X6                     | 止めねじ M6 L=6         | (2) |
| 56     |      | 105-91709     | SAFETY SPRING                  | 安全装置ばね              | (1) |
| 57     |      | 107-48002     | SAFETY CLUTCH PAWL             | 安全装置爪               | (1) |
| 58     |      | B1308-055-000 | SAFETY CLUTCH COUNTER-HOOK     | 安全装置逆爪              | (1) |
| 59     |      | B1310-055-000 | SAFETY CLUTCH SMALL LINK       | 安全装置小リンク            | (1) |
| 60     |      | B1309-055-000 | COUNTER-HOOK SPRING            | 安全装置逆爪ばね            | (1) |
| 61     |      | B1314-055-000 | SAFETY CLUTCH SMALL LINK PIN   | 安全装置小リンクピン          | (1) |
| 62     |      | SD-0640322-TP | HINGE SCREW D=6.35 H=3.2       | 段ねじ D=6.35 H=3.2    | (2) |
| 63     |      | 400-52266     | LOWER SHAFT COUPLING PLATE     | 下軸カップリングスラスト板       | 1   |
| 64     |      | SM-8030402-TP | SCREW M3X0.5 L=4               | 止めねじ                | 1   |



### 3. NEEDLE BAR ROCKING COMPONENTS

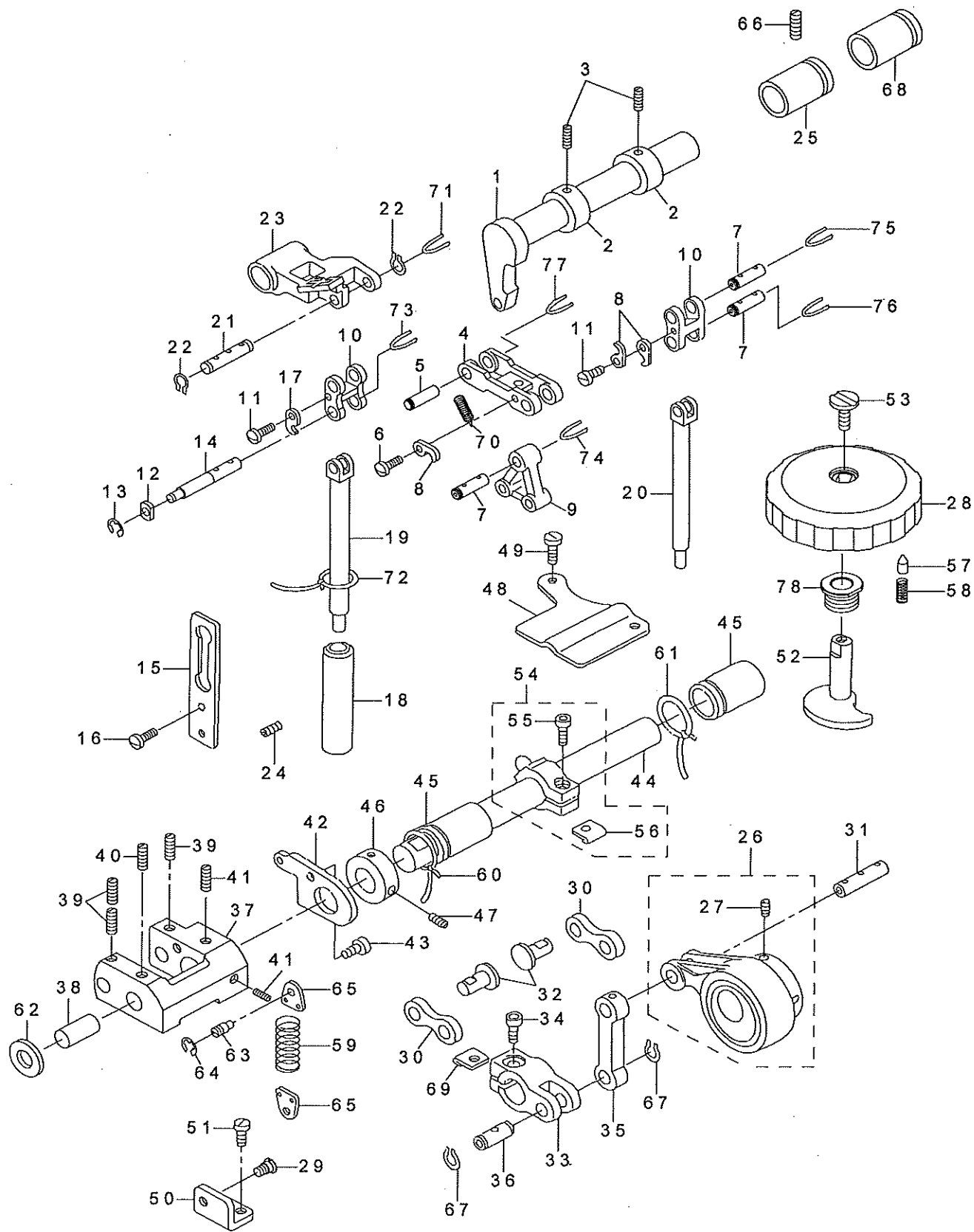
針棒搖動關係



| REF.NO | NOTE | PART NO       | DESCRIPTION                  | 品名                  | Qty |
|--------|------|---------------|------------------------------|---------------------|-----|
| 1      |      | 107-08105     | NEEDLE ROD                   | 針棒                  | 1   |
| 2      |      | 107-08204     | NEEDLE BAR THREAD GUIDE      | 針棒糸掛け               | 1   |
| 3      | ★    | SS-8080410-TP | SCREW 1/8-44 L=3.5           | 止めねじ 1/8-44 L=3.5   | 1   |
| 4      |      | 107-08469     | NEEDLE ROD ROCKING BASE SET  | 針棒揺動台 (セット)         | 1   |
| 5      |      | 107-08808     | THRUST COLLAR                | スラストカラー             | 2   |
| 6      |      | SS-7111810-TP | SCREW 11/64-40 L=18          | 丸平ねじ 11/64-40 L=18  | 2   |
| 7      |      | 107-08907     | ROCKING SHAFT METAL          | 揺動軸メタル              | 1   |
| 8      | ★    | MC-3210014-00 | NEEDLE 134-35 #140           | 針 134-35 #140       | 1   |
| 9      |      | 107-09152     | NEEDLE ROD ROCKING LINK ASM. | 針棒揺動桿 (組)           | 1   |
| 10     |      | SS-6152440-SP | SCREW 15/64-28 L=23.5        | 平ねじ 15/64-28 L=23.5 | (1) |
| 11     |      | 107-09202     | NEEDLE ROD LINK PIN          | 針棒揺動リンクピン           | 2   |
| 12     |      | RE-0600000-K0 | E-RING 6                     | E形止め輪 6             | 4   |
| 13     |      | 107-09350     | FEED ARM ASM.                | 針送り腕 (組)            | 1   |
| 14     |      | SS-6151440-SP | SCREW 15/64-28 L=14          | 平ねじ 15/64-28 L=14   | (1) |
| 15     |      | 107-09400     | NEEDLE ROD ROCKING LINK      | 針棒揺動リンク             | 1   |
| 16     |      | 107-08501     | ROLLER GUIDE BASE            | コ口案内台               | 1   |
| 17     |      | SM-6041012-TP | SCREW M4X0.7 L=10            | 平小ねじ M4X0.7 L=10    | 2   |
| 18     |      | 107-09608     | ROCKING SHAFT METAL          | 上送り軸前メタル            | 1   |
| 19     |      | SS-8120740-SP | SCREW 3/16-28 L=7            | 止めねじ 3/16-28 L=7    | 1   |
| 20     |      | 107-33806     | SWING STAND FELT, LOWER      | 揺動台フェルト (下)         | 1   |
| 21     |      | SM-1040801-SC | SCREW M4X0.7 L=8             | 皿小ねじ M4X0.7 L=8     | 1   |
| 22     |      | WP-0450000-SD | WASHER 4.5X8X0.5             | 平座金 4.5X8X0.5       | 1   |
| 23     |      | CQ-2020000-00 | OIL WICK                     | 油芯                  | 0.2 |
| 24     |      | CQ-2020000-00 | OIL WICK                     | 油芯                  | 0.2 |

# 4. UPPER FEED MECHANISM COMPONENTS

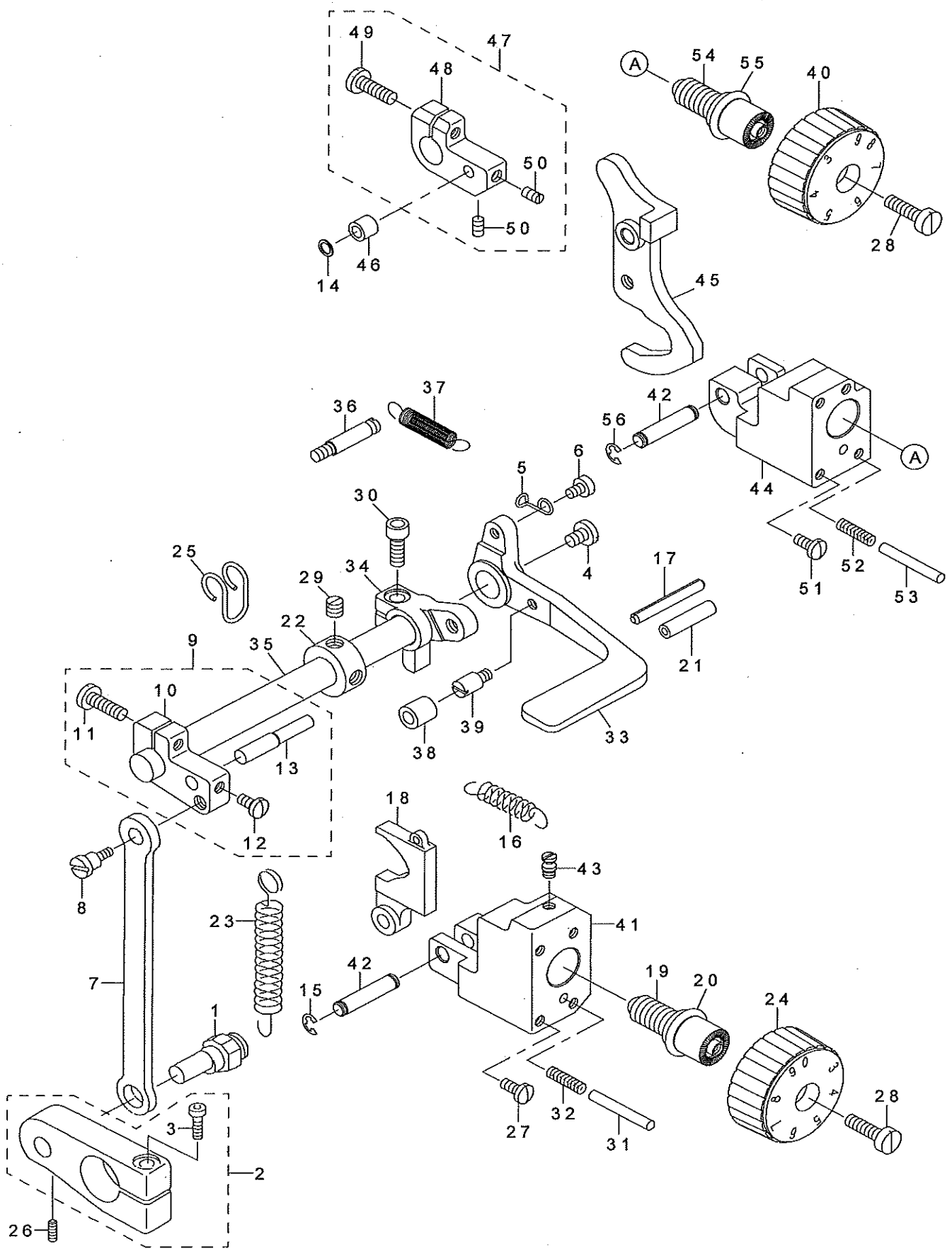
上送り関係



| REF.NO | NOTE | PART NO       | DESCRIPTION                   | 品名                   | Qty |
|--------|------|---------------|-------------------------------|----------------------|-----|
| 1      |      | 107-09707     | UPPER FEED SHAFT              | 上送り軸                 | 1   |
| 2      |      | CS-1501011-TH | THRUST COLLAR                 | スラスト受                | 2   |
| 3      |      | SS-8660410-SP | SCREW 1/4-40 L=4.2            | 止めねじ 1/4-40 L=4.2    | 4   |
| 4      |      | 107-09806     | CONNECTION LINK               | 連結リンク                | 1   |
| 5      |      | 107-09905     | TRIANGLE LEVER SHAFT          | 三角てこ軸                | 1   |
| 6      |      | SS-7080510-TP | SCREW 1/8-44 L=4.5            | 丸平ねじ 1/8-44 L=4.5    | 1   |
| 7      |      | 107-09905     | TRIANGLE LEVER SHAFT          | 三角てこ軸                | 3   |
| 8      |      | 107-10804     | TRIANGLE LEVER SHAFT STOPPER  | 三角てこ軸止め              | 3   |
| 9      |      | 107-10002     | TRIANGLE LEVER                | 三角てこ                 | 1   |
| 10     |      | 107-10101     | ROCKING LINK                  | 揺動リンク                | 2   |
| 11     |      | SS-7080510-TP | SCREW 1/8-44 L=4.5            | 丸平ねじ 1/8-44 L=4.5    | 2   |
| 12     |      | 107-10200     | PRESSER ROD SQUARE BLOCK      | 押え棒ガイド角駒             | 1   |
| 13     |      | RE-0400000-K0 | E-RING 4                      | E 形止め輪 4             | 1   |
| 14     |      | 107-10309     | PRESSER ROD GUIDE SHAFT       | 押え棒ガイド軸              | 1   |
| 15     |      | 107-10408     | PRESSER ROD GUIDE             | 押え棒ガイド               | 1   |
| 16     |      | SS-6121050-SP | SCREW 3/16-28 L=9.5           | 平ねじ 3/16-28 L=9.5    | 2   |
| 17     |      | 107-10804     | TRIANGLE LEVER SHAFT STOPPER  | 三角てこ軸止め              | 1   |
| 18     |      | 107-10507     | PRESSER ROD LOWER METAL       | 押え棒下メタル              | 1   |
| 19     |      | 107-10606     | PRESSER ROD                   | 押え棒                  | 1   |
| 20     |      | 107-10705     | UPPER FEED ROD                | 上送り棒                 | 1   |
| 21     |      | 107-11000     | PRESSER ROD SHAFT             | 押えロッド軸               | 1   |
| 22     |      | RC-0560711-KP | RETAINING RING                | C 形止め輪               | 2   |
| 23     |      | 107-11117     | PRESSER BAR GUIDE ARM         | 押え棒ガイド腕              | 1   |
| 24     |      | SS-8120740-SP | SCREW 3/16-28 L=7             | 止めねじ 3/16-28 L=7     | 1   |
| 25     |      | 107-09608     | ROCKING SHAFT METAL           | 上送り軸前メタル             | 1   |
| 26     |      | 107-13766     | ECCENTRIC ROD (SET)           | 上送りカムロッド (セット)       | 1   |
| 27     |      | SS-8660810-TP | SCREW 1/4-40 L=8              | 止めねじ 1/4-40 L=8      | (2) |
| 28     |      | 107-74305     | VERTICAL DIAL                 | 交互上下ダイヤル             | 1   |
| 29     |      | 229-08909     | HINGE SCREW                   | 膝上げ横棒段ねじ             | 1   |
| 30     |      | 107-14509     | CONNECTION LINK B             | 連結リンク B              | 2   |
| 31     |      | 107-13808     | CONNECTION LINK PIN B         | 連結リンクピン B            | 1   |
| 32     |      | 107-14608     | CONNECTION LINK B SUPPORT PIN | 連結リンク B 支持ピン         | 2   |
| 33     |      | 107-13907     | UPPER FEED CAM                | 上送り腕                 | 1   |
| 34     |      | SM-6081602-TP | SCREW M6 L=16                 | 六角穴ボルト               | 1   |
| 35     |      | 107-14004     | CONNECTION LINK A             | 連結リンク A              | 1   |
| 36     |      | 107-14103     | CONNECTION LINK PIN A         | 連結リンクピン A            | 1   |
| 37     |      | 107-14202     | VERTICAL CHANGE BELT          | 交互上下変換体              | 1   |
| 38     |      | 107-51303     | CHANGE BELT SUPPORT PIN       | 交互上下変換体支持ピン          | 1   |
| 39     |      | SM-8050602-TP | SCREW M5 L=6                  | 止めねじ M5 X 0.8 L=6    | 3   |
| 40     |      | SM-8050512-TP | SCREW M5 L=5                  | 止めねじ                 | 1   |
| 41     |      | SM-8050602-TP | SCREW M5 L=6                  | 止めねじ M5 X 0.8 L=6    | 2   |
| 42     |      | 107-14400     | VERTICAL STOPPER PLATE        | 交互上下ストッパー板           | 1   |
| 43     |      | SM-6051002-TP | SCREW M5X0.8 L=10             | 六角穴ボルト M5 X 0.8 L=10 | 1   |
| 44     |      | 107-14301     | VERTICAL CHANGE BELT SHAFT    | 交互上下変換体軸             | 1   |
| 45     |      | 107-08907     | ROCKING SHAFT METAL           | 揺動軸メタル               | 2   |
| 46     |      | CS-1501011-TH | THRUST COLLAR                 | スラスト受                | 1   |
| 47     |      | SS-8660410-SP | SCREW 1/4-40 L=4.2            | 止めねじ 1/4-40 L=4.2    | 2   |
| 48     |      | 107-14806     | VERTICAL STOPPER PLATE        | 交互上下ストッパー受け板         | 1   |
| 49     |      | SS-6121010-SP | SCREW 3/16-28 L=10            | 平ねじ 3/16-28 L=10     | 2   |
| 50     |      | 107-14905     | VERTICAL SHAFT SPRING RACK    | 交互上下軸ばね掛け            | 1   |
| 51     |      | SS-7120710-SP | SCREW 3/16-28 L=7             | 丸平ねじ 3/16-28 L=7     | 1   |
| 52     |      | 107-15001     | VERTICAL ADJUSTING CAM        | 交互上下調節カム             | 1   |
| 53     |      | SS-6110630-TP | SCREW 11/64-40 L=8            | 平ねじ 11/64-40 L=8     | 1   |
| 54     |      | 107-15258     | VERTICAL ADJUSTING ARM ASM.   | 交互上下調節腕 (組)          | 1   |
| 55     |      | SM-6051402-TP | SCREW M5X0.8 L=14             | 六角穴ボルト               | (1) |
| 56     |      | 107-11406     | SPACER B                      | スペーサ B               | (1) |
| 57     |      | 107-15704     | VERTICAL DIAL PIN             | 交互上下ダイヤルピン           | 1   |
| 58     |      | B1526-527-00G | SPRING                        | 押え足ばね                | 1   |
| 59     |      | 107-16504     | VERTICAL SHAFT SPRING         | 交互上下軸ばね              | 1   |
| 60     |      | CQ-2020000-00 | OIL WICK                      | 油芯                   | 0.3 |
| 61     |      | CQ-2020000-00 | OIL WICK                      | 油芯                   | 0.3 |
| 62     |      | 101-09809     | THRUST WASHER, B              | 釜軸上メタル スラスト板 B       | 1   |
| 63     |      | B3416-552-000 | CONNECTING ROD HINGE SCREW    | 膝上げ横棒段ねじ             | 1   |
| 64     |      | RE-0500000-K0 | E-RING                        | E 形止め輪 5             | 1   |
| 65     |      | 107-13501     | SPRING HOOK                   | 交互上下軸ばね金具            | 2   |
| 66     |      | SS-8120740-SP | SCREW 3/16-28 L=7             | 止めねじ 3/16-28 L=7     | 1   |
| 67     |      | RC-0740811-KP | C-RING                        | C 形止め輪 8             | 2   |
| 68     |      | 107-08907     | ROCKING SHAFT METAL           | 揺動軸メタル               | 1   |
| 69     |      | 107-10903     | SPACER A                      | スペーサ A               | 1   |
| 70     |      | 107-39506     | GUIDE SPRING                  | 上送り給油ガイドばね           | 1   |
| 71     |      | CQ-2520000-00 | OIL WICK                      | 油芯                   | 0.1 |
| 72     |      | CQ-2020000-00 | OIL WICK                      | 油芯                   | 0.2 |
| 73     |      | CQ-2520000-00 | OIL WICK                      | 油芯                   | 0.1 |
| 74     |      | CQ-2520000-00 | OIL WICK                      | 油芯                   | 0.1 |
| 75     |      | CQ-2520000-00 | OIL WICK                      | 油芯                   | 0.1 |
| 76     |      | CQ-2520000-00 | OIL WICK                      | 油芯                   | 0.1 |
| 77     |      | CQ-2520000-00 | OIL WICK                      | 油芯                   | 0.1 |
| 78     |      | 400-52251     | VERTICAL DIAL SHAFT BUSHING   | 交互上下ダイヤル軸ブッシュ        | 1   |

# 5. FEED ADJUSTMENT & REVERSE FEED MECHANISM COMPONENTS

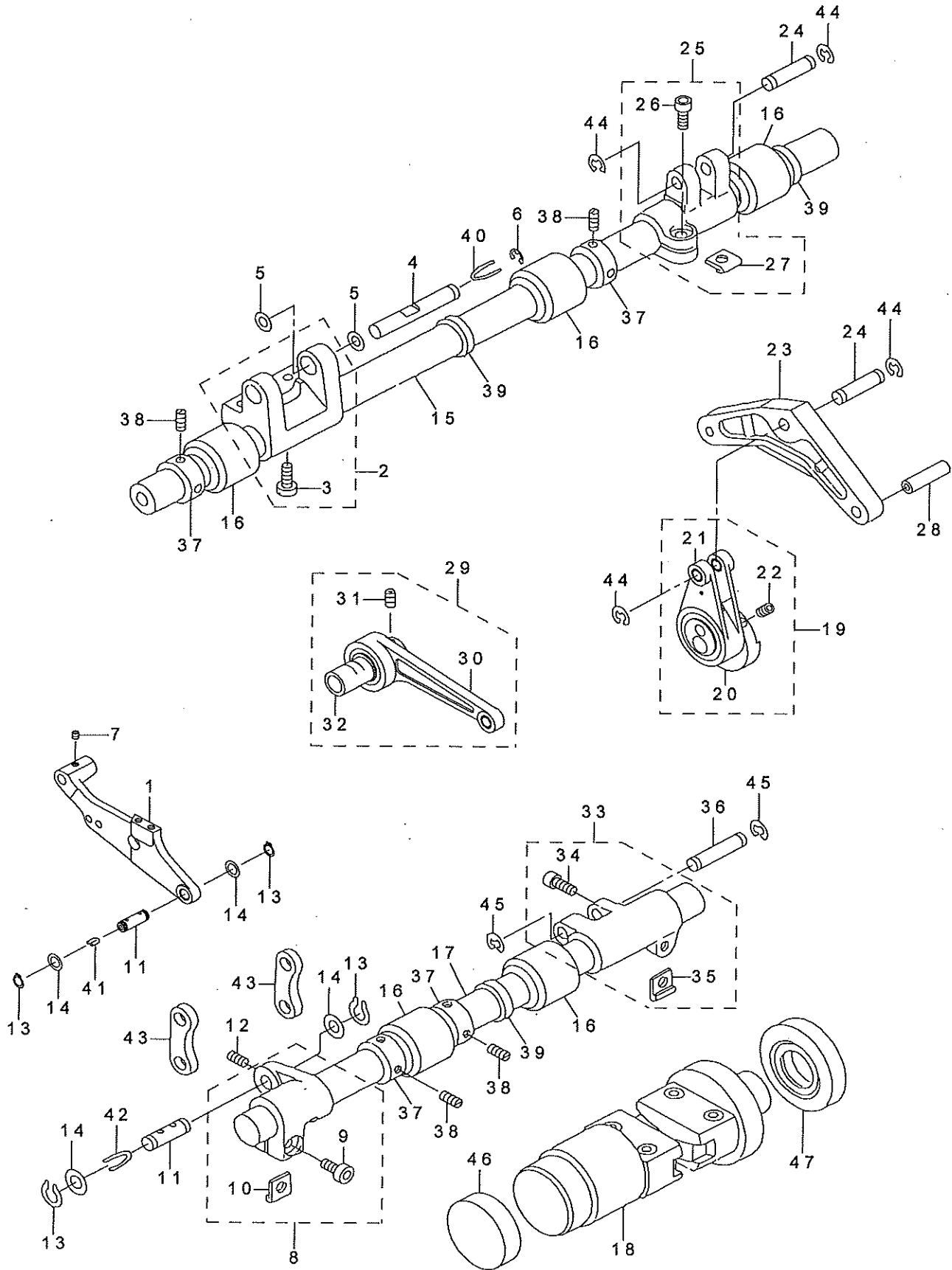
送り調節・逆送り関係



| REF.NO | NOTE | PART NO       | DESCRIPTION                    | 品名                  | Qty |
|--------|------|---------------|--------------------------------|---------------------|-----|
| 1      |      | 107-20209     | ADJUSTING CHANGE PIN           | 送り調節偏心ピン            | 1   |
| 2      |      | 107-20357     | ADJUSTING CHANGE ARM ASM.      | 送り調節変換腕 (組)         | 1   |
| 3      |      | SM-6062502-TP | SCREW M6 L=25                  | 六角穴ボルト M6 L=25      | (1) |
| 4      |      | SS-7620750-SP | SCREW 3/16-32 L=6.5            | 丸平ねじ 3/16-32 L=6.5  | 1   |
| 5      |      | 400-58144     | SPRING_HOOK                    | レバーばね掛け             | 1   |
| 6      |      | SS-6110610-TP | SCREW 11/64-40 L=6             | 平ねじ 11/64-40 L=6    | 1   |
| 7      |      | 107-20407     | ADJUSTING CONNECTION RING      | 送り調節連結桿             | 1   |
| 8      |      | 107-25307     | ADJUSTING CONNECTION RING PIN  | 送り調節連結桿ピン           | 1   |
| 9      |      | 400-27219     | FEED ADJUSTING PIN HOLDER ASM. | 送り調節ピン支え腕 (組) A     | 1   |
| 10     |      | 107-20506     | ADJUSTING ARM                  | 送り調節腕               | (1) |
| 11     |      | SS-7121610-SP | SCREW 3/16-28 L=15.5           | 丸平ねじ 3/16-28 L=15.5 | (1) |
| 12     |      | SS-7110810-SP | SCREW 11/64-40 L=8.0           | 丸平ねじ 11/64-40 L=8   | (1) |
| 13     |      | 400-25557     | FEED ADJUSTING PIN (A)         | 送り調節ピン (A)          | (1) |
| 14     |      | 400-35542     | ROLLER SPACER                  | コロスペーサー             | 1   |
| 15     |      | RE-0400000-K0 | E-RING 4                       | E形止め輪 4             | 2   |
| 16     |      | 107-21306     | CHANGE SPRING                  | 調節体変換ばね             | 1   |
| 17     |      | PS-0400322-KP | SPRING PIN 4.0X32              | スプリングピン 4.0 X 32    | 1   |
| 18     |      | 107-20605     | ADJUSTING BELT                 | 送り調節体               | 1   |
| 19     | ☆    | 107-21009     | ADJUSTING DIAL SCREW           | 送り調節ダイヤルねじ          | 1   |
| 20     | ☆    | RO-1182401-00 | O-RING                         | Oリング                | 1   |
| 21     |      | BT-0600402-EA | OIL TUBE                       | チューブ                | 0.1 |
| 22     |      | CS-1201011-SH | THRUST COLLAR D=12 W=10        | スラスト受 D=12 W=10     | 1   |
| 23     |      | 107-22007     | PULLING SPRING                 | 送り調節体引っ張りばね         | 1   |
| 24     | ☆    | 107-44308     | ADJUSTMENT DIAL                | 送り調節ダイヤル            | 1   |
| 25     |      | 107-33509     | SPRING RACK HOOK               | 引っ張りばね掛けフック         | 1   |
| 26     |      | SM-8060602-TP | SCREW M6X6                     | 止めねじ M6 L=6         | 1   |
| 27     |      | SS-7110910-TP | SCREW 11/64-40 L=8.5           | 丸平ねじ 11/64-40 L=8.5 | 4   |
| 28     |      | SS-6121860-SP | SCREW 3/16-28 L=18             | 平ねじ 3/16-28 L=18    | 2   |
| 29     |      | SS-8660610-TP | SCREW 1/4-40 L=6               | 止めねじ 1/4-40 L=6     | 2   |
| 30     |      | SM-6051402-TP | SCREW M5X0.8 L=14              | 六角穴ボルト              | 1   |
| 31     |      | 107-18401     | DIAL PIN                       | 送りダイヤルピン            | 1   |
| 32     |      | B1148-141-H00 | SPRING                         | 送り調節ピンばね            | 1   |
| 33     |      | 400-52874     | BACKWARD FEED LEVER            | 逆送りレバー              | 1   |
| 34     |      | 400-58054     | BACKWARD_FEED_CONNECTING_ARM   | 逆送り連結腕              | 1   |
| 35     |      | 107-21900     | BACKWARD FEED LEVER SHAFT      | 逆送りレバー軸             | 1   |
| 36     |      | 137-55202     | SUSPENSION SCREW               | ブレーキばね掛け            | 1   |
| 37     |      | 400-58145     | RETURN_SPRING                  | レバー戻しばね             | 1   |
| 38     |      | 101-19907     | CUSHION                        | 逆送りレバー ゴム輪          | 1   |
| 39     |      | B1114-280-000 | PIN                            | ピン                  | 1   |
| 40     | ☆    | 400-27231     | FEED DIAL(A) ASM.              | 送り調節ダイヤル (A) 組      | 1   |
| 41     |      | 400-25554     | FEED ADJUSTING BASE (A)        | 送り調節台 (A)           | 1   |
| 42     |      | 110-41407     | ROLLER FULCRUM SHAFT           | コロ支点軸               | 2   |
| 43     |      | 260-17400     | SPRING RAC                     | 糸結び腕ばね掛け            | 1   |
| 44     |      | 400-25555     | FEED ADJUSTING BASE (B)        | 送り調節台 (B)           | 1   |
| 45     |      | 400-25556     | FEED ADJUSTING (A)             | 送り調節体 (A)           | 1   |
| 46     |      | 137-37804     | DRIVING ARM BOSS ROLLER        | 下系切り駆動腕コロ           | 1   |
| 47     |      | 400-27220     | FEED ADJUSTING PIN HOLDER ASM. | 送り調節ピン支え腕 (組) B     | 1   |
| 48     |      | 400-25558     | FEED ADJUSTING PIN HOLDER      | 送り調節ピン支え腕           | (1) |
| 49     |      | SS-7121610-SP | SCREW 3/16-28 L=15.5           | 丸平ねじ 3/16-28 L=15.5 | (1) |
| 50     |      | SS-8090710-SP | SCREW 9/64-40 L=7.0            | 止めねじ 9/64-40 L=7    | (2) |
| 51     |      | SS-7110910-TP | SCREW 11/64-40 L=8.5           | 丸平ねじ 11/64-40 L=8.5 | 4   |
| 52     |      | B1148-141-H00 | SPRING                         | 送り調節ピンばね            | 1   |
| 53     |      | 107-18401     | DIAL PIN                       | 送りダイヤルピン            | 1   |
| 54     | ☆    | 107-21009     | ADJUSTING DIAL SCREW           | 送り調節ダイヤルねじ          | 1   |
| 55     | ☆    | RO-1182401-00 | O-RING                         | Oリング                | 1   |
| 56     |      | RE-0400000-K0 | E-RING 4                       | E形止め輪 4             | 2   |

# 6. LOWER FEED MECHANISM COMPONENTS

下送り関係

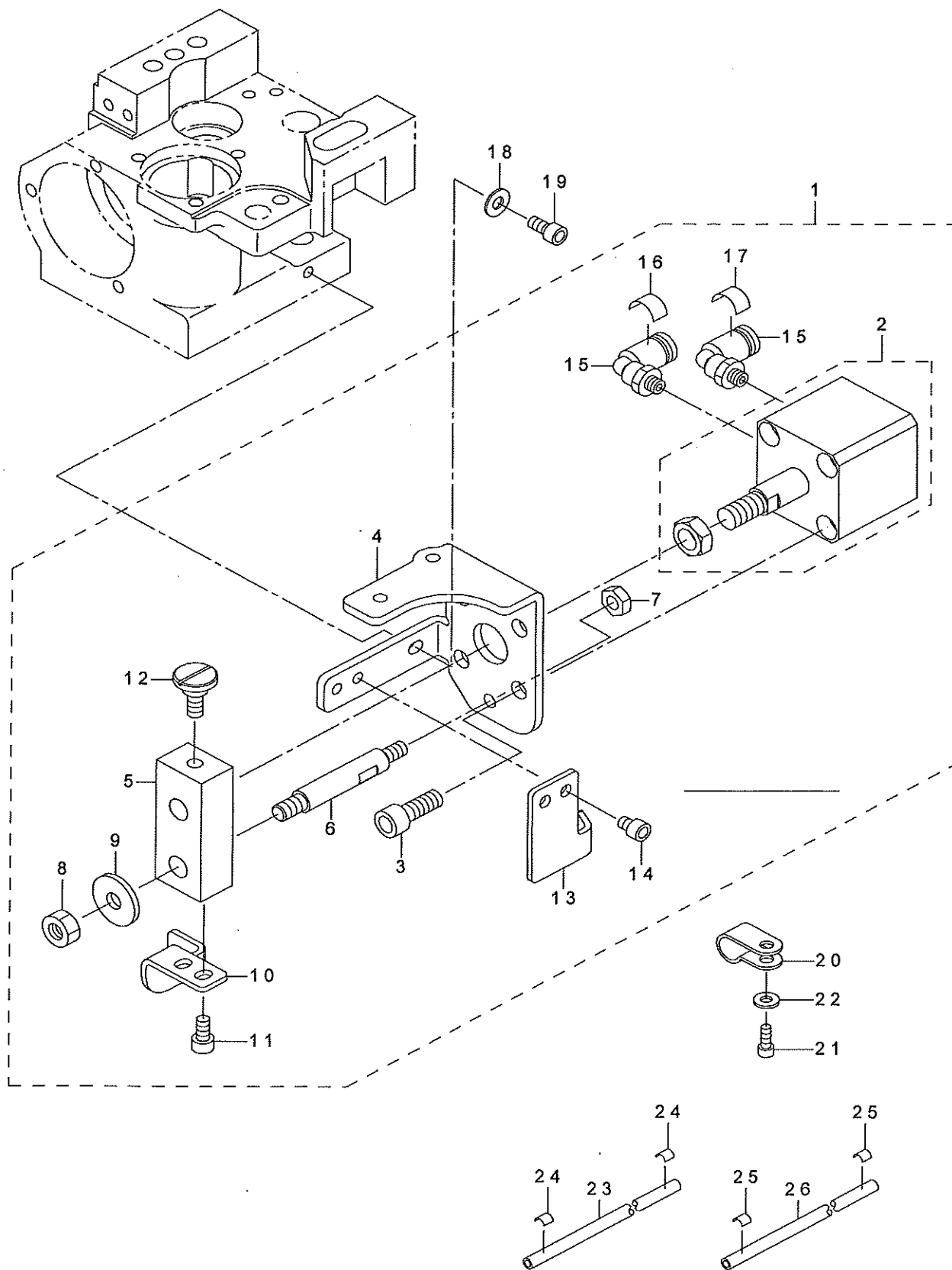


| REF.NO | NOTE | PART NO       | DESCRIPTION              | 品名                   | Qty |
|--------|------|---------------|--------------------------|----------------------|-----|
| 1      |      | 400-58052     | FEED_BASE                | 送り台                  | 1   |
| 2      |      | 107-17668     | FEED BASE ARM ASM.       | 水平送り台腕 (セット)         | 1   |
| 3      |      | SM-6061650-TP | SCREW                    | 平ねじ M6 L=16          | (2) |
| 4      |      | 107-17809     | FEED BASE SHAFT          | 水平送り台軸               | 1   |
| 5      |      | 107-46709     | WASHER                   | 送り台スラスト座金            | 2   |
| 6      |      | RE-0500000-K0 | E-RING                   | E形止め輪 5              | 1   |
| 7      |      | SS-8110422-TP | SCREW 11/64-40 L=4       | 止めねじ 11/64-40 L=4    | 1   |
| 8      |      | 107-18658     | VERTICAL FEED ARM ASM.   | 上下送り腕 (組)            | 1   |
| 9      |      | SS-6151412-TP | SCREW 15/64-28 L=14      | 六角穴ボルト 15/64-28      | (1) |
| 10     |      | 107-10903     | SPACER A                 | スペーサ A               | (1) |
| 11     |      | 107-18906     | VERTICAL FEED LINK SHAFT | 上下送りリンク軸             | 2   |
| 12     |      | SM-8030402-TP | SCREW M3X0.5 L=4         | 止めねじ                 | 1   |
| 13     |      | RC-0650811-KP | RETAINING RING           | C形止め輪                | 4   |
| 14     |      | WP-0740516-SP | WASHER 7.4X11.8X0.5      | 平座金 7.4 X 11.8 X 0.5 | 4   |
| 15     |      | 107-17908     | HORIZONTAL FEED SHAFT    | 水平送り軸                | 1   |
| 16     |      | 107-18203     | FEED SHAFT FRONT METAL   | 水平送り軸前メタル            | 5   |
| 17     |      | 400-58153     | VERTICAL_FEED_SHAFT      | 上下送り軸                | 1   |
| 18     |      | 107-19052     | FEED CHANGE BELT ASM.    | 送り変換体組               | 1   |
| 19     |      | 107-19664     | HORIZONTAL FEED ROD      | 水平送りロッド (セット)        | 1   |
| 20     |      | 107-19201     | HORIZONTAL FEED CAM      | 水平送りカム               | (1) |
| 21     |      | 107-19656     | HORIZONTAL FEED ROD ASM. | 水平送りロッド (組)          | (1) |
| 22     |      | SS-8661012-TP | SCREW                    | 止めねじ                 | (2) |
| 23     |      | 107-19300     | BELL CRANK               | ベルクランク               | 1   |
| 24     |      | 107-18005     | FEED ARM SHAFT           | 送り腕軸                 | 2   |
| 25     |      | 107-18153     | FEED SHAFT ARM ASM.      | 送り腕軸 (組)             | 1   |
| 26     |      | SM-6061552-TP | SCREW M6 L=15            | 六角穴ボルト               | (1) |
| 27     |      | 107-10903     | SPACER A                 | スペーサ A               | (1) |
| 28     |      | 107-19508     | ADJUSTING BLOCK SHAFT    | 送り調節角駒軸              | 1   |
| 29     |      | 107-19961     | VERTICAL FEED ROD ASM.   | 上下送りロッド (組)          | 1   |
| 30     |      | 107-19953     | VERTICAL FEED ROD COMPL. | 上下送りロッド (結合)         | (1) |
| 31     |      | SM-8060552-TP | SCREW M6 L=5             | 止めねじ                 | (2) |
| 32     |      | 107-20001     | VERTICAL FEED CAM        | 上下送りカム               | (1) |
| 33     |      | 107-18153     | FEED SHAFT ARM ASM.      | 送り腕軸 (組)             | 1   |
| 34     |      | SM-6061552-TP | SCREW M6 L=15            | 六角穴ボルト               | (1) |
| 35     |      | 107-10903     | SPACER A                 | スペーサ A               | (1) |
| 36     |      | 107-18005     | FEED ARM SHAFT           | 送り腕軸                 | 1   |
| 37     |      | CS-1501011-TH | THRUST COLLAR            | スラスト受                | 4   |
| 38     |      | SS-8660410-SP | SCREW 1/4-40 L=4.2       | 止めねじ 1/4-40 L=4.2    | 8   |
| 39     |      | 137-07500     | OIL SEAL                 | 上軸前メタル オイルシール        | 3   |
| 40     |      | CQ-2020000-00 | OIL WICK                 | 油芯                   | 0.1 |
| 41     |      | CQ-2020000-00 | OIL WICK                 | 油芯                   | 0.1 |
| 42     |      | CQ-2020000-00 | OIL WICK                 | 油芯                   | 0.1 |
| 43     |      | 107-18500     | VERTICAL LINK            | 送り台上下リンク             | 2   |
| 44     |      | RE-0500000-K0 | E-RING                   | E形止め輪 5              | 4   |
| 45     |      | RE-0500000-K0 | E-RING                   | E形止め輪 5              | 2   |
| 46     |      | 107-19706     | CHANGE BELT OIL SEAL A   | 変換体オイルシール A          | 1   |
| 47     |      | 107-19805     | CHANGE BELT OIL SEAL B   | 変換体オイルシール B          | 1   |



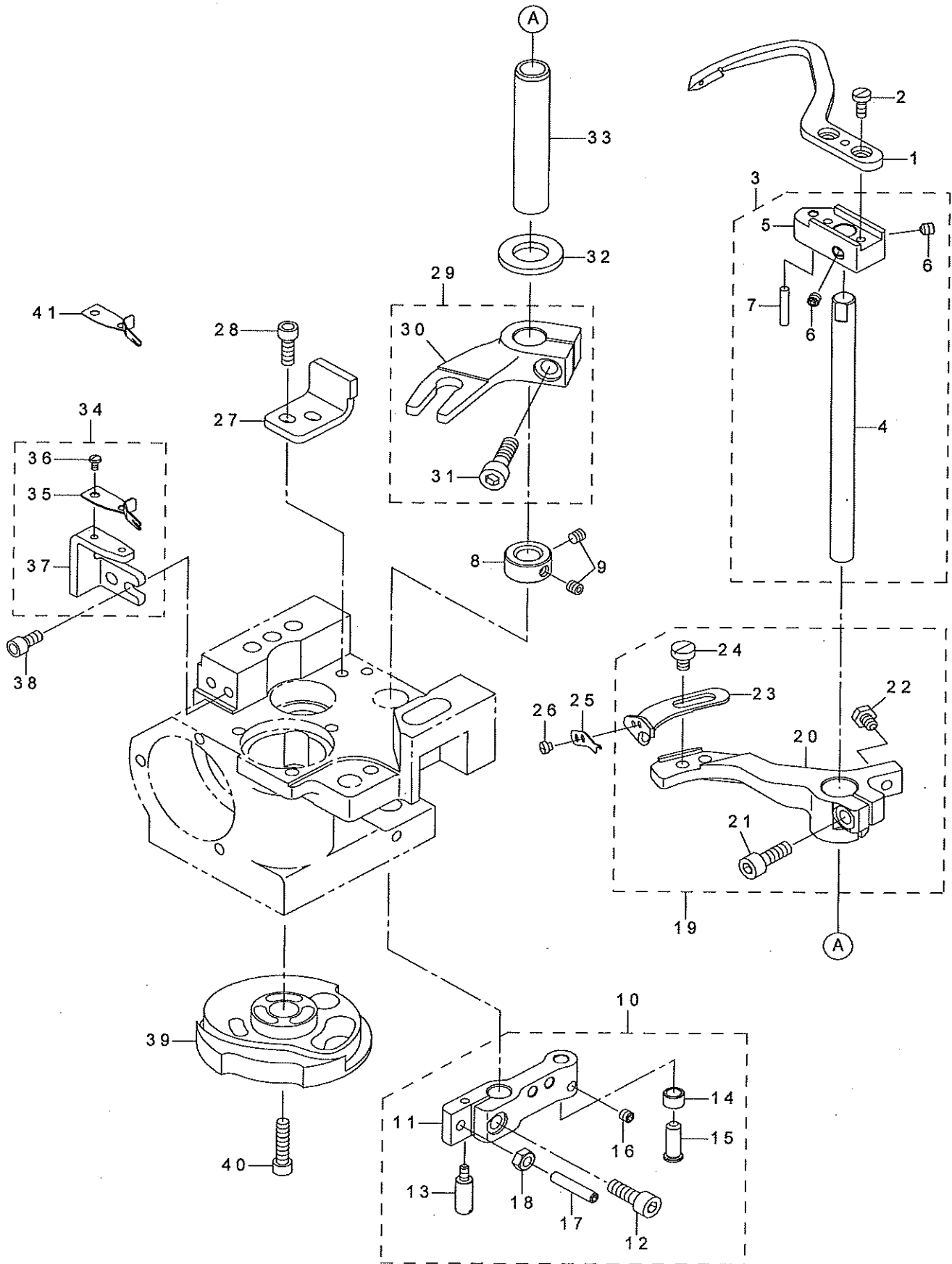
# 7. THREAD TRIMMER COMPONENTS (1)

糸切り関係 (1)



| REF.NO | NOTE | PART NO       | DESCRIPTION               | 品名                      | Qty |
|--------|------|---------------|---------------------------|-------------------------|-----|
| 1      |      | 400-58152     | AIR_CYLINDER_ASM.         | エアシリンダ (組)              | 1   |
| 2      |      | PA-2001507-A0 | AIR CYLINDER              | エアシリンダ                  | (1) |
| 3      |      | SM-6061602-TP | SCREW M6 L=16             | 六角穴ボルト                  | (2) |
| 4      |      | 400-58064     | CYLINDER_INSTALLING_PLATE | シリンダ取付板                 | (1) |
| 5      |      | 400-58040     | CYLINDER_JOINT            | シリンダ連結体                 | (1) |
| 6      |      | 400-58134     | JOINT_GUIDE_SHAFT         | 連結体ガイド軸                 | (1) |
| 7      |      | NM-6050001-SP | NUT M5                    | 六角ナット M 5 X 0. 8 1種     | (1) |
| 8      |      | NM-6060001-SD | NUT M6                    | 六角ナット M 6 1種            | (1) |
| 9      |      | WP-0612056-SD | WASHER 6.1X18.5X2         | 平座金 6. 1 X 1 8. 5 X 2   | (1) |
| 10     |      | 400-58062     | RETURN_PLATE              | 動メス戻し板                  | (1) |
| 11     |      | SM-6040802-TP | SCREW M4X0.7 L=8          | 六角穴ボルト                  | (2) |
| 12     |      | SD-0800426-TP | SHOULDER SCREW            | 段ねじ D = 8 H = 4. 2      | (1) |
| 13     |      | 400-58063     | DRIVING_ARM_STOPPER       | 動メス駆動腕ストッパー             | (1) |
| 14     |      | SM-6040502-TP | SCREW M4X0.7 L=5          | 六角穴ボルト M 4 L = 5        | (2) |
| 15     |      | PJ-3040405-04 | ELBOW UNION               | エルボユニオン                 | (2) |
| 16     |      | HX-0029500-0B | WIRE MARK(3)              | ワイヤーマーク (3)             | (1) |
| 17     |      | HX-0029500-0C | WIRE MARK(4)              | ワイヤーマーク (4)             | (1) |
| 18     |      | WP-0450801-SD | WASHER 4.5X10X0.8         | 平座金 4. 5 X 1 0 X 0. 8   | 3   |
| 19     |      | SM-6040802-TP | SCREW M4X0.7 L=8          | 六角穴ボルト                  | 3   |
| 20     |      | HX-0012300-0A | CABLE CLIP                | ケーブルクリップ                | 1   |
| 21     |      | SM-6030802-TP | SCREW M3X0.5 L=8          | 六角穴ボルト M 3 X 0. 5 L = 8 | 1   |
| 22     |      | WP-0371016-SD | WASHER 3.7X8X1            | 平座金 3. 7 X 8 X 1        | 1   |
| 23     |      | BT-0400251-EB | URETHANE HOSE, BLACK      | ウレタンホース 黒               | 1.6 |
| 24     |      | HX-0029500-0B | WIRE MARK(3)              | ワイヤーマーク (3)             | 2   |
| 25     |      | HX-0029500-0C | WIRE MARK(4)              | ワイヤーマーク (4)             | 2   |
| 26     |      | BT-0400251-EB | URETHANE HOSE, BLACK      | ウレタンホース 黒               | 1.6 |

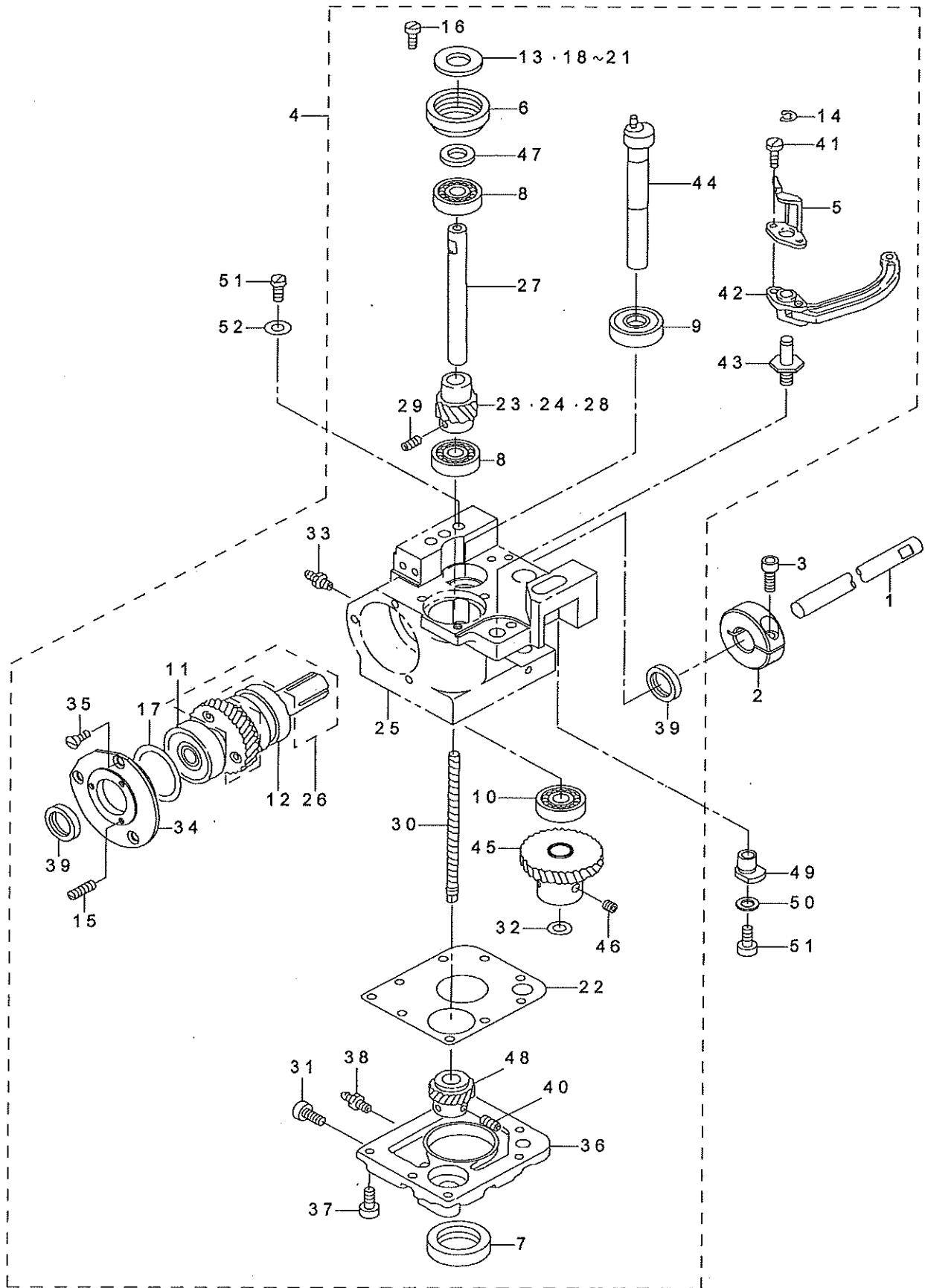
8. THREAD TRIMMER COMPONENTS (2)  
糸切り関係 (2)



| REF.NO | NOTE  | PART NO       | DESCRIPTION                   | 品名                 | Qty |
|--------|-------|---------------|-------------------------------|--------------------|-----|
| 1      | ★     | 400-58051     | MOVING KNIFE                  | 動メス                | 1   |
| 2      |       | SM-6030800-SP | SCREW M3X0.5 L=8              | 平小ねじ M3 X 0.5 L=8  | 2   |
| 3      |       | 400-58058     | MOVING_KNIFE_SHAFT_ASM.       | 動メス軸 (組)           | 1   |
| 4      |       | 400-58135     | MOVING_KNIFE_SHAFT            | 動メス軸               | (1) |
| 5      |       | 400-58041     | MOVING_KNIFE_BASE             | 動メス台               | (1) |
| 6      |       | SM-8040412-TP | SET SCREW M4 L=4              | 止めねじ               | (2) |
| 7      |       | 400-38891     | HOOK COVER HINGE SHAFT        | 釜カバーヒンジ軸           | (1) |
| 8      |       | CS-0800816-SH | THRUST HOLDER D=8 W=8         | スラスト受 D=8 W=8      | 1   |
| 9      |       | SS-8110422-TP | SCREW 11/64-40 L=4            | 止めねじ 11/64-40 L=4  | 2   |
| 10     |       | 400-58149     | MOVING_KNIFE_DRIVING_ARM_ASM. | 動メス駆動腕 (組)         | 1   |
| 11     |       | 400-58042     | MOVING_KNIFE_DRIVING_ARM      | 動メス駆動腕             | (1) |
| 12     |       | SM-6051402-TP | SCREW M5X0.8 L=14             | 六角穴ボルト             | (1) |
| 13     |       | 400-58148     | RETURN_PIN                    | 戻しピン               | (1) |
| 14     |       | 214-40508     | THREAD TRIMMER CAM ROLLER     | 糸切りカムコロ            | (1) |
| 15     |       | 214-39500     | CAM ROLLER SHAFT              | カムコロ軸              | (1) |
| 16     |       | SM-8040412-TP | SET SCREW M4 L=4              | 止めねじ               | (1) |
| 17     |       | SM-8042012-TP | SETSCREW                      | 止めねじ               | (1) |
| 18     |       | NM-6040001-SD | NUT M4                        | 六角ナット M4           | (1) |
| 19     |       | 400-58150     | FIXED_KNIFE_BASE_ASM.         | 固定メス台 (組)          | 1   |
| 20     |       | 400-58045     | FIXED_KNIFE_BASE              | 固定メス台              | (1) |
| 21     |       | SM-6051402-TP | SCREW M5X0.8 L=14             | 六角穴ボルト             | (1) |
| 22     |       | SM-9040603-SP | SCREW M4 L=8                  | 六角ボルト M2.5 L=8     | (1) |
| 23     | ★     | 400-58046     | FIXED_KNIFE                   | 固定メス               | (1) |
| 24     |       | SS-6110610-TP | SCREW 11/64-40 L=6            | 平ねじ 11/64-40 L=6   | (2) |
| 25     | ★     | 400-58047     | THREAD_GUIDE                  | 糸ガイド               | 1   |
| 26     |       | SS-6060220-SP | SCREW 3/32-56 L=2.0           | 平ねじ 3/32-56 L=2    | 2   |
| 27     |       | 400-58050     | BASE_STOPPER                  | 固定メス台ストッパー         | 1   |
| 28     |       | SM-6041202-TP | SCREW M4X0.7 L=12             | 六角穴ボルト             | 2   |
| 29     |       | 400-59049     | FIXED_KNIFE_DRIVING_ARM_ASM.  | 固定メス駆動腕 (組)        | 1   |
| 30     |       | 400-58048     | FIXED_KNIFE_DRIVING_ARM       | 固定メス駆動腕            | (1) |
| 31     |       | SM-6062002-TP | SCREW M6 L=20                 | 六角穴ボルト M6 L=20     | (1) |
| 32     |       | 400-58059     | WASHER_A                      | 座金 A               | 1   |
| 33     |       | 400-58136     | FIXED_KNIFE_SHAFT             | 固定メス軸              | 1   |
| 34     |       | 400-58151     | CLAMP_SPRING_BASE_ASM.        | クランプばね台 (組)        | 1   |
| 35     | ★     | 400-58043     | CLAMP_SPRING                  | クランプばね             | (1) |
| 36     | ★     | SS-5060410-SP | SCREW 3/32-56 L=3.5           | 止めねじ 3/32-56 L=3.5 | (2) |
| 37     |       | 400-58044     | CLAMP_SPRING_BASE             | クランプばね台            | (1) |
| 38     |       | SM-6040802-TP | SCREW M4X0.7 L=8              | 六角穴ボルト             | 2   |
| 39     |       | 400-58137     | THREAD_TRIMMER_CAM            | 糸切りカム              | 1   |
| 40     |       | SM-6041802-TP | SCREW M4 L=18                 | 六角穴ボルト             | 3   |
| 41     | ★ #01 | 400-64213     | CLAMP_SPRING                  | クランプばね (細糸用)       | 1   |
|        |       | NOTE(注記)      | #01...OPTIONAL PARTS          | オプション部品            |     |

# 9. HOOK SHAFT BASE COMPONENTS

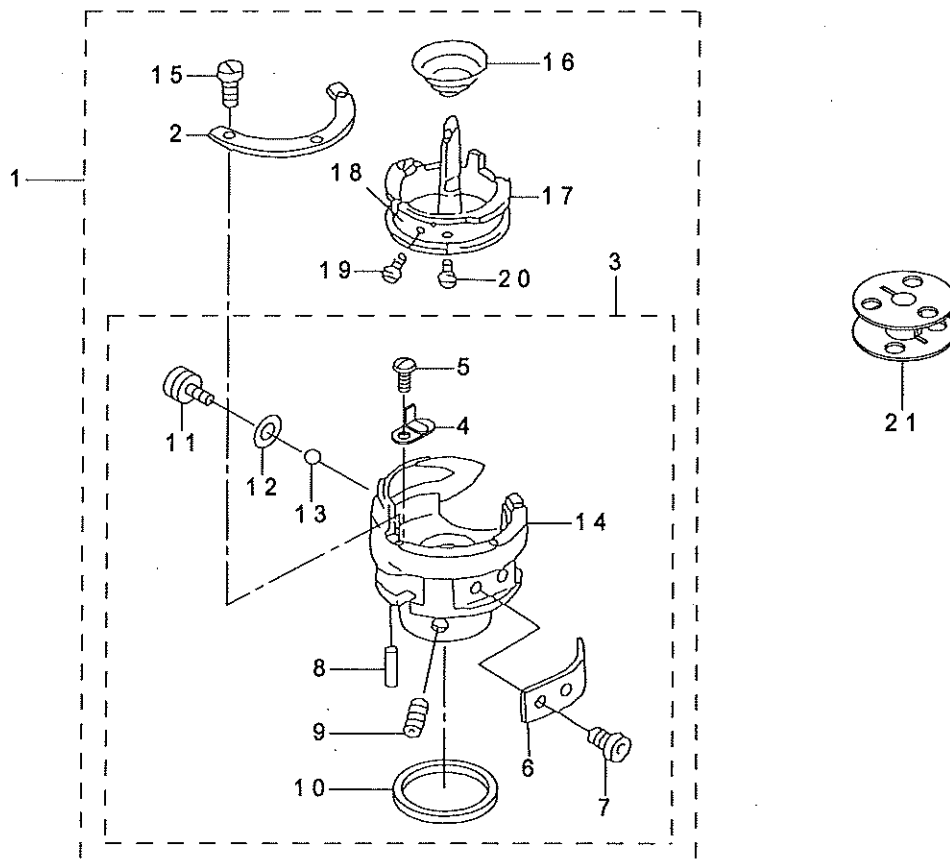
釜軸台關係



| REF.NO | NOTE | PART NO       | DESCRIPTION                   | 品名                  | Qty |
|--------|------|---------------|-------------------------------|---------------------|-----|
| 1      |      | 107-22403     | LOWER SHAFT B                 | 下軸 B                | 1   |
| 2      |      | 400-52253     | SET COLLAR                    | 下軸セットカラー            | 1   |
| 3      |      | SM-6051402-TP | SCREW M5X0.8 L=14             | 六角穴ボルト              | 1   |
| 4      |      | 400-59035     | HOOK_SHAFT_BASE_RIGHT_ASM.    | 釜軸台(右)組             | 1   |
| 5      | ★    | 400-33293     | OPENER                        | オープナー               | (1) |
| 6      |      | 107-55601     | BEARING COLLAR                | 釜軸ベアリング受け           | (1) |
| 7      |      | 107-26107     | OIL SEAL                      | オープナー軸オイルシール        | (1) |
| 8      |      | B1215-804-000 | BALL BEARING D                | 主軸ボールベアリング D        | (2) |
| 9      |      | SB-1100009-00 | BEARING                       | ころがり軸受              | (1) |
| 10     |      | SB-1100010-00 | BEARING                       | ころがり軸受              | (1) |
| 11     |      | SB-1150004-00 | RADIAL BEARING                | ころがり軸受              | (1) |
| 12     |      | SB-1150009-00 | BEARING                       | ころがり軸受              | (2) |
| 13     | #01  | 101-11201     | THRUST WASHER, F              | 釜軸上メタル スラスト板 1. 4   | (1) |
| 14     |      | RE-0400000-K0 | E-RING 4                      | E 形止め輪 4            | (1) |
| 15     |      | SS-8080610-SP | SCREW 1/8-44 L=5.5            | 止めねじ 1/8-44 L=5. 5  | (3) |
| 16     |      | SS-6111140-SP | SCREW 11/64-40 L=11           | 平ねじ 11/64-40 L=11   | (3) |
| 17     |      | RO-3573501-00 | O-RING                        | O リング               | (1) |
| 18     | #01  | 101-12605     | THRUST WASHER 1.7             | 釜軸上メタル スラスト板 1. 7   | (1) |
| 19     | #01  | 101-12704     | THRUST WASHER 1.8             | 釜軸上メタル スラスト板 1. 8   | (1) |
| 20     | #01  | 101-09809     | THRUST WASHER, B              | 釜軸上メタル スラスト板 B      | (1) |
| 21     | #01  | 101-12506     | THRUST WASHER 1.6             | 釜軸上メタル スラスト板 1. 6   | (1) |
| 22     |      | 107-70402     | HOOK SHAFT BOTTOM PACKING     | 釜軸台下板パッキン           | (1) |
| 23     | #01  | 107-39308     | HOOK SHAFT SCREW GEAR         | 釜軸ねじ歯車              | (1) |
| 24     | #01  | 107-39407     | HOOK SHAFT SCREW GEAR         | 釜軸ねじ歯車              | (1) |
| 25     |      | 400-58142     | HOOK_SHAFT_BASE               | 右釜軸台                | (1) |
| 26     |      | 107-22353     | LOWER SHAFT A ASM.            | 下軸 A (組)            | (1) |
| 27     |      | 107-23708     | HOOK SHAFT                    | 釜軸                  | (1) |
| 28     | #01  | 107-23807     | SCREW GEAR                    | 釜軸ねじ歯車              | (1) |
| 29     |      | SM-8050502-TP | SCREW M5 L=5                  | 止めねじ                | (2) |
| 30     |      | 107-23906     | LUBRICATING SHAFT             | 給油軸                 | (1) |
| 31     |      | SM-4030601-SC | SCREW M3 X 6                  | なべ小ねじ M3 X 0. 5 L=6 | (1) |
| 32     |      | RO-0982401-00 | RUBBER RING                   | O リング               | (1) |
| 33     |      | SQ-1150451-MZ | CONNECTING SCREW              | チューブ連結ねじ            | (1) |
| 34     |      | 107-24201     | BEARING HOLDER                | 下軸ベアリングホルダー         | (1) |
| 35     |      | SS-1110840-SP | SCREW 11/64-40 L=8            | 皿ねじ 11/64-40 L=8    | (3) |
| 36     |      | 107-75302     | HOOK SHAFT LOWER PLATE,RIGHT  | 釜軸台下板(右)            | (1) |
| 37     |      | SM-6040802-TP | SCREW M4X0.7 L=8              | 六角穴ボルト              | (9) |
| 38     |      | SQ-1150451-MZ | CONNECTING SCREW              | チューブ連結ねじ            | (1) |
| 39     |      | 107-24805     | OIL SEAL                      | 下軸オイルシール            | (2) |
| 40     |      | SM-8050502-TP | SCREW M5 L=5                  | 止めねじ                | (2) |
| 41     |      | SS-6080610-TP | SCREW 1/8-44 L=6              | 平ねじ 1/8-44 L=6      | (2) |
| 42     |      | 107-25158     | OPENER ARM COMPL.             | オープナー腕(結合)          | (1) |
| 43     |      | 107-70501     | OPNER ARM SHAFT B             | オープナー腕軸 B           | (1) |
| 44     |      | 107-25604     | OPENER SHAFT                  | オープナー軸              | (1) |
| 45     |      | 400-63991     | OPENER_SHAFT_SCREW_GEAR       | オープナー軸はすば歯車         | (1) |
| 46     |      | SM-8050502-TP | SCREW M5 L=5                  | 止めねじ                | (2) |
| 47     |      | 107-24706     | BEARING SPACER                | 釜軸ベアリングスペーサー        | (1) |
| 48     |      | 400-63992     | HOOK_SHAFT_SCREW_GEAR         | 釜軸はすば歯車             | (1) |
| 49     |      | 400-52244     | HOOK SHAFT BASE ECCENTRIC PIN | 釜軸台偏心ピン             | 1   |
| 50     |      | WP-0651056-SH | WASHER 6.5X11X1               | 平座金 6. 5 X 11 X 1   | 1   |
| 51     |      | SM-6062002-TP | SCREW M6 L=20                 | 六角穴ボルト M6 L=20      | 2   |
| 52     |      | WP-0621016-SH | WASHER                        | 平座金                 | 1   |
|        |      | NOTE(注記)      | #01....SELECTIVE PARTS        | 選択部品                |     |

# 10.HOOK COMPONENTS

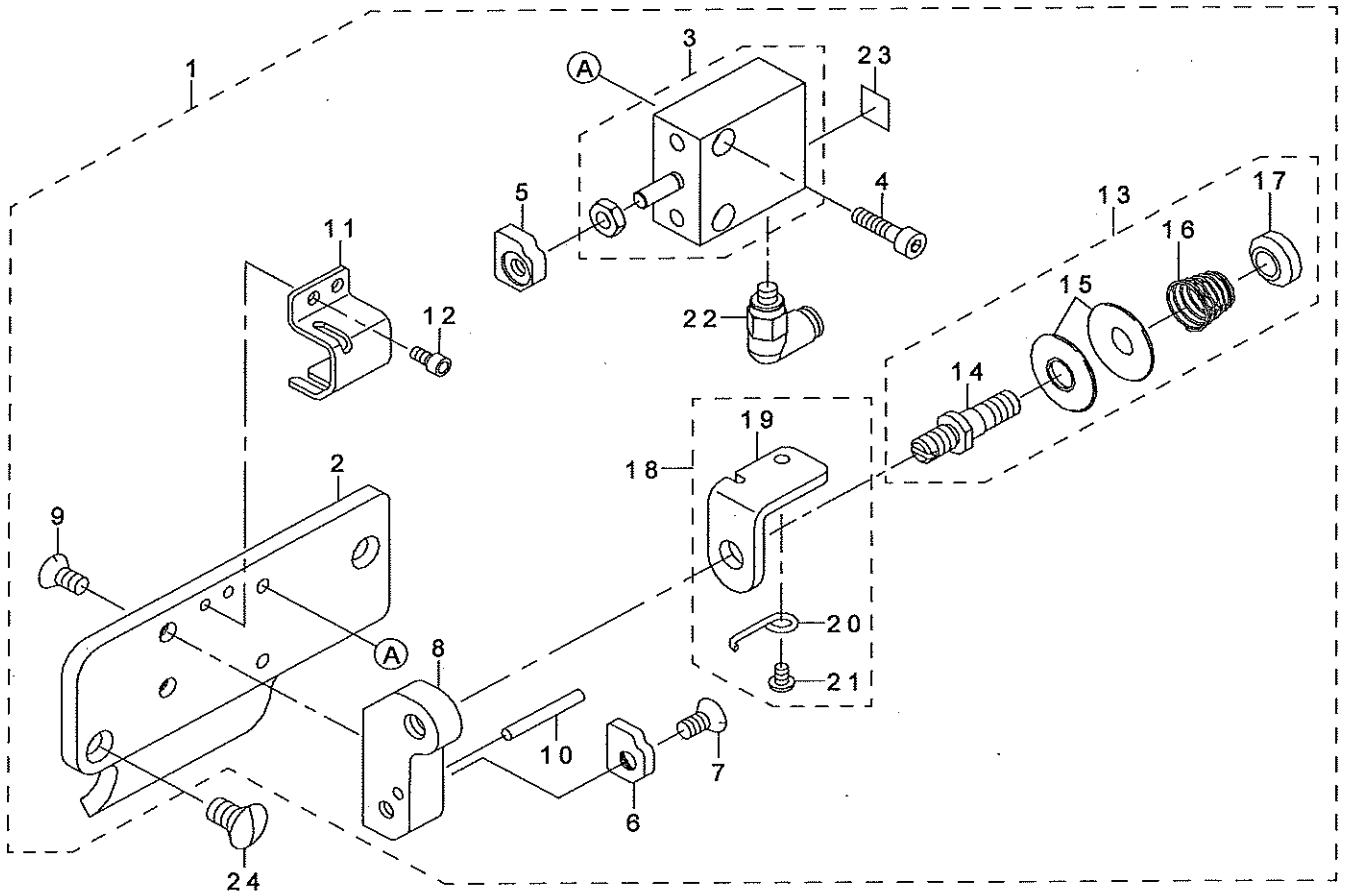
釜関係



| REF.NO | NOTE | PART NO       | DESCRIPTION                  | 品名                | Qty |
|--------|------|---------------|------------------------------|-------------------|-----|
| 1      | ★    | 107-61252     | HOOK ASM.                    | 釜 (組)             | 1   |
| 2      | ★    | 107-22809     | INNER HOOK PRESSER           | 内釜押え              | (1) |
| 3      |      | 107-52467     | OUTER HOOK ASM.              | 外釜組               | (1) |
| 4      |      | 107-52202     | OIL CAP                      | 油蓋                | (1) |
| 5      |      | 107-52301     | OIL CAP SETSCREW             | 油蓋止めねじ            | (1) |
| 6      | ★    | 107-23013     | NEEDLE HOLDER                | 針受け               | (1) |
| 7      |      | 107-23203     | NEEDLE HOLDER SETSCREW       | 針受け止めねじ           | (2) |
| 8      |      | 107-28509     | FILTER                       | 油量調節フィルター         | (1) |
| 9      |      | SM-8050602-TP | SCREW M5 L=6                 | 止めねじ M5 X 0.8 L=6 | (2) |
| 10     |      | 107-28608     | RUBBER RING                  | 給油リング             | (1) |
| 11     |      | 107-22601     | ADJUSTING SCREW              | 油量調節ねじ            | (1) |
| 12     | ★    | 107-28707     | RUBBER RING                  | 油量調節ねじ O リング      | (1) |
| 13     | ★    | 107-28400     | URETHAN BALL                 | ウレタンボール           | (1) |
| 14     | ★    | 107-52418     | OUTER HOOK                   | 外釜                | (1) |
| 15     |      | 107-23104     | PRESSER SETSCREW             | 内釜押え止めねじ          | (3) |
| 16     | ★    | 107-23500     | IDLING PREVENTION SPRING     | 空転防止ばね            | (1) |
| 17     | ★    | 107-61203     | INNER HOOK                   | 中釜                | (1) |
| 18     |      | 107-22908     | TENSION SPRING               | 下糸調子ばね            | (1) |
| 19     |      | 107-23302     | ADJUSTING SCREW              | 下糸調子ばね調節ねじ        | (1) |
| 20     |      | 107-23401     | TENSION SPRING SETSCREW      | 下糸調子ばね止めねじ        | (1) |
| 21     | ★    | 107-59603     | ALUMINUM BOBBIN (DOUBLE-CUT) | アルミボビン (ローレット付き)  | 1   |

# 11.NEEDLE THREAD CLAMP MECHANISM COMPONENTS

上糸掴み装置関係

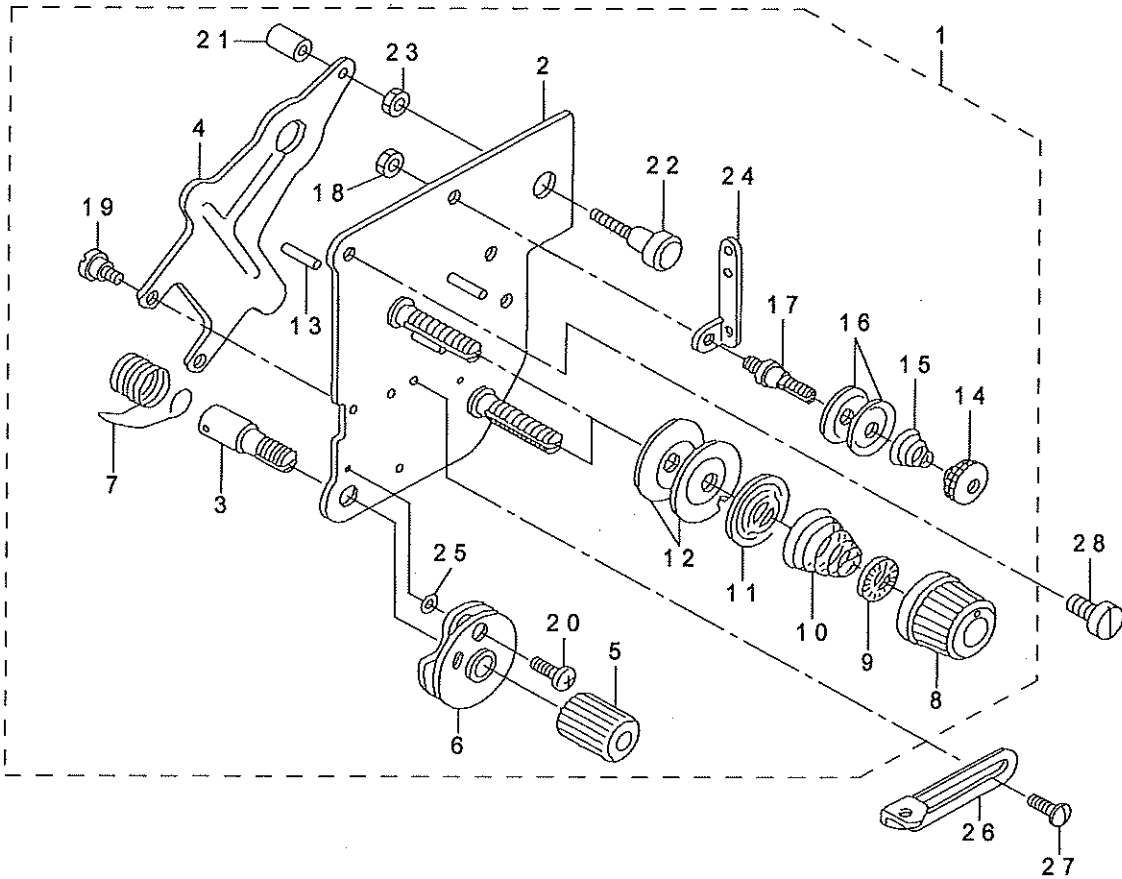


| REF.NO | NOTE | PART NO       | DESCRIPTION               | 品名                  | Qty |
|--------|------|---------------|---------------------------|---------------------|-----|
| 1      |      | 400-62425     | ASSY_THREAD_CATCHER       | 糸掴み装置 (組)           | 1   |
| 2      |      | 400-58066     | THREAD_CATCHER_PLATE      | 糸掴み取付板              | (1) |
| 3      |      | PA-0800401-A0 | AIR CYLINDER              | エアシリンダ              | (1) |
| 4      |      | SM-6851002-TP | SCREW M2.5 L=10           | 六角穴ボルト M2.5 L=10    | (2) |
| 5      |      | 400-58067     | THREAD_PRESSER            | 糸押え                 | (1) |
| 6      |      | 400-58068     | THREAD HOLDER             | 糸押え受け               | (1) |
| 7      |      | SM-1030601-SC | SCREW M3 L=6              | 皿小ねじ M3 X 0.5 L=6   | (1) |
| 8      |      | 400-58069     | THREAD HOLDER_BASE        | 糸押え受け土台             | (1) |
| 9      |      | SM-1030601-SC | SCREW M3 L=6              | 皿小ねじ M3 X 0.5 L=6   | (2) |
| 10     |      | 226-83403     | NEEDLE BAR CONNECTION PIN | 針棒抱きピン              | (1) |
| 11     |      | 400-58065     | THREAD_CATCHER_COVER      | 糸掴みカバー              | (1) |
| 12     |      | SM-6020452-TP | HEXAGONAL HOLE BOLT       | 六角穴ボルト              | (2) |
| 13     |      | 400-62426     | THREAD_TENSION_ASM.       | 糸調子 (組)             | (1) |
| 14     |      | 400-62427     | TENSION_POST              | 調節軸                 | (1) |
| 15     |      | 129-39708     | TENSION_DISC              | 下糸糸調子皿              | (2) |
| 16     | ☆    | 129-39807     | TENSION_SPRING            | 下糸調子ばね              | (1) |
| 17     | ☆    | 129-39906     | TENSION_NUT               | 下糸調子ダイヤル            | (1) |
| 18     |      | 400-62438     | THREAD_GUIDE_ASM.         | 糸案内 (組)             | (1) |
| 19     |      | 400-62428     | THREAD_GUIDE              | 糸案内                 | (1) |
| 20     | ☆    | 400-62429     | THREAD_GUIDE_SPRING       | 糸案内ばね               | (1) |
| 21     |      | SS-5060310-SP | SCREW 3/32-56 L=2.8       | トラスねじ 3/32-56 L=2.8 | (1) |
| 22     |      | PJ-3040203-02 | ELBOW                     | エルボユニオン             | (1) |
| 23     |      | HX-0029500-0D | WIRE MARK(5)              | ワイヤーマーク (5)         | (1) |
| 24     |      | SS-2090710-TP | SCREW 9/64-40 L=7.2       | 丸皿ねじ 9/64-40 L=7.2  | 2   |



## 12.THREAD TENSION COMPONENTS

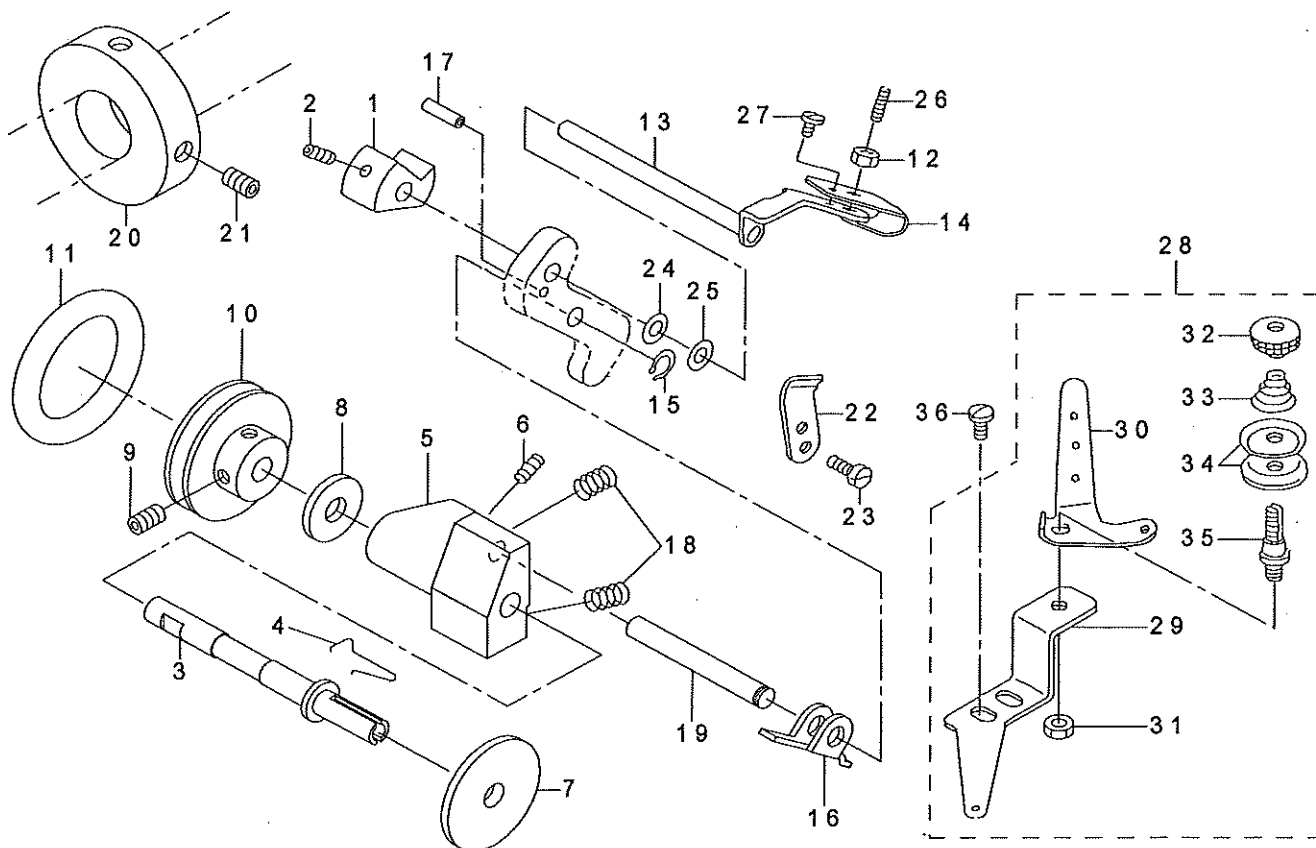
糸調子関係



| REF.NO | NOTE | PART NO       | DESCRIPTION                    | 品名                  | Qty |
|--------|------|---------------|--------------------------------|---------------------|-----|
| 1      |      | 107-02561     | THREAD TENSION ASM.            | 糸調子組                | 1   |
| 2      |      | 107-02553     | THREAD TENSION JUNCTION        | 糸調子台板結合             | (1) |
| 3      |      | 103-20109     | SCREW STUD                     | 糸取りばね軸              | (1) |
| 4      |      | 107-02603     | THREAD LOOSENING PLATE         | 糸緩め板                | (1) |
| 5      |      | 103-20208     | THRED TENSION STUD NUT         | 糸取りばね軸ナット           | (1) |
| 6      |      | 107-41452     | THREAD TAKE-UP GUIDE ASM.      | 糸取りばね案内(組)          | (1) |
| 7      | ☆    | 107-02405     | THREAD TAKE-UP SPRING          | 糸取りばね               | (1) |
| 8      | ☆    | 107-44704     | THREAD TENSION NUT             | 糸調子ナット              | (2) |
| 9      |      | 107-44803     | ROTATION AND STOP              | 糸調子皿回転止め            | (2) |
| 10     | ☆    | B3129-012-A00 | TENSION SPRING                 | 糸調子ばね A             | (2) |
| 11     |      | 107-44902     | THREAD TENSION PLATE SUPPERSSI | 糸調子皿押え              | (2) |
| 12     |      | B3126-352-000 | TENSION DISC                   | 糸調子皿                | (4) |
| 13     |      | 107-41601     | THREAD LOOSEN PIN              | 糸緩めピン               | (2) |
| 14     |      | B3216-047-000 | BOBBIN WINDER TENSION NUT      | 糸調子ナット              | (1) |
| 15     | ☆    | D3168-555-H0B | TENSION SPRING NO.1            | 第一糸調子ばね             | (1) |
| 16     |      | 107-41106     | FIRST THREAD TENSION PLATE     | 第一糸調子皿              | (2) |
| 17     |      | 107-03304     | FIRST THREAD TENSION BAR       | 第一糸調子棒              | (1) |
| 18     |      | NS-6110310-SP | NUT 11/64-40                   | 六角ナット 11/64-40      | (1) |
| 19     |      | SD-0470281-SP | HINGE SCREW D=4.7 H=2.8        | 段ねじ D=4.7 H=2.8     | (2) |
| 20     |      | 107-41502     | STOP SCREW                     | 糸取りばね案内皿止めねじ        | (1) |
| 21     |      | 107-02702     | THREAD LOOSENING PIN           | 糸緩め押しピン             | (1) |
| 22     |      | 107-02801     | THREAD LOOSENING SCREW         | 糸緩め押しねじ             | (1) |
| 23     |      | NM-6040003-SC | NUT M4                         | 六角ナット M4            | (1) |
| 24     |      | 107-03205     | FIRST THREAD TENSION GUIDE     | 第一糸調子案内             | (1) |
| 25     |      | WP-0320501-SC | WASHER M3                      | 平座金 3.2 X 7 X 0.5   | (1) |
| 26     |      | 107-03106     | BALANCE THREAD GUIDE           | 天秤糸案内               | 1   |
| 27     |      | SS-5090420-SP | SCREW 9/64-40 L=3.5            | トラスねじ 9/64-40 L=3.5 | 2   |
| 28     |      | SS-6121010-SP | SCREW 3/16-28 L=10             | 平ねじ 3/16-28 L=10    | 2   |

### 13. LOWER THREAD WINDER MECHANISM COMPONENTS

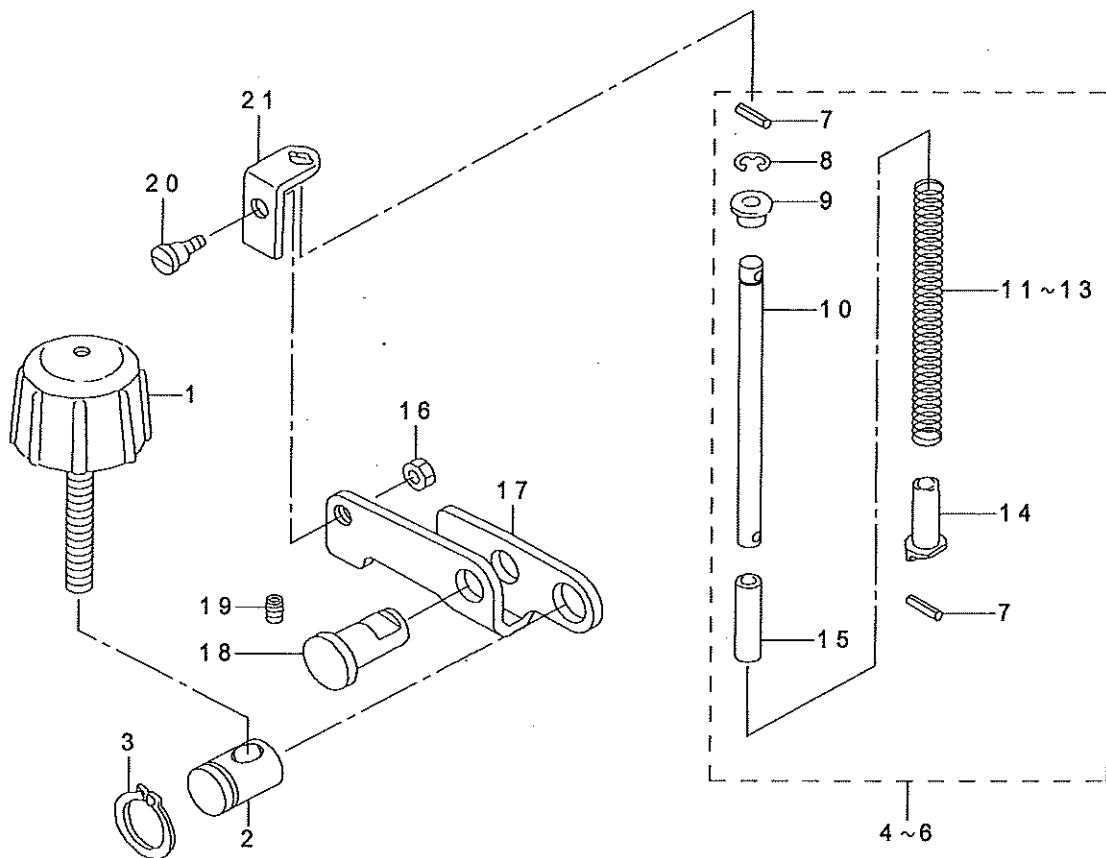
下糸巻き装置関係



| REF.NO | NOTE | PART NO       | DESCRIPTION                    | 品名                   | Qty |
|--------|------|---------------|--------------------------------|----------------------|-----|
| 1      |      | 107-03502     | BOBBIN CUM                     | 糸巻きカム                | 1   |
| 2      |      | SM-8040602-TP | SCREW M4X0.7 L=6               | 止めねじ                 | 1   |
| 3      |      | 107-03601     | BOBBIN SHAFT                   | 糸巻き軸                 | 1   |
| 4      | ★    | 107-03700     | BOBBIN SPRING                  | ボビン止めばね              | 1   |
| 5      |      | 107-03908     | BOBBIN SHAFT BASE              | 糸巻き軸台                | 1   |
| 6      |      | SM-8040602-TP | SCREW M4X0.7 L=6               | 止めねじ                 | 1   |
| 7      |      | B3205-210-000 | CUSHION                        | ボビン座                 | 1   |
| 8      |      | WP-0651056-SH | WASHER 6.5X11X1                | 平座金 6.5 X 11 X 1     | 1   |
| 9      |      | SS-7110810-SP | SCREW 11/64-40 L= 8.0          | 丸平ねじ 11/64-40 L=8    | 2   |
| 10     |      | B3211-210-000 | BOBBIN WINDER WHEEL            | 糸巻き車                 | 1   |
| 11     | ★    | 400-11368     | FRICION WHEEL                  | 糸巻き摩擦車               | 1   |
| 12     |      | NS-6110360-SP | NUT                            | 六角ナット                | 1   |
| 13     |      | 107-03452     | BOBBIN PRESSER ASM.            | ボビン押え結合              | 1   |
| 14     |      | 107-03809     | BOBBIN PRESSER SPRING          | ボビン押えばね              | 1   |
| 15     |      | D2430-555-B00 | SNAP RING                      | カムローラ軸 C リング         | 1   |
| 16     |      | B3207-210-000 | TRIP LATCH                     | 糸巻き調節体               | 1   |
| 17     |      | PS-0200102-KH | SPRING PIN 2.0 X 10            | スプリングピン 2.0 X 10     | 1   |
| 18     |      | B3208-210-000 | SPRING A                       | 糸巻き調節体ばね A           | 2   |
| 19     |      | 107-04005     | BOBBIN SHAFT BASE SHAFT        | 糸巻き軸台止め軸             | 1   |
| 20     |      | 107-04807     | BOBBIN FRICTION WHEEL          | 糸巻き摩擦車               | 1   |
| 21     |      | SM-8050602-TP | SCREW M5 L=6                   | 止めねじ M 5 X 0.8 L=6   | 2   |
| 22     |      | 105-02300     | THREAD CUTTER                  | 糸巻き保持板               | 1   |
| 23     |      | SS-6090620-TP | SCREW                          | 平ねじ                  | 2   |
| 24     |      | WP-0531001-SC | WASHER M5                      | 平座金みがき丸 M5           | 1   |
| 25     |      | WP-0520656-SA | WASHER 5.2X9.5X0.6             | 平座金 5.2 X 9.5 X 0.6  | 1   |
| 26     |      | SS-8111610-SP | SCREW 11/64-40 L=15.5          | 止めねじ 11/64-40 L=15.5 | 1   |
| 27     |      | SS-7110340-SP | SCREW 11/64-40 L= 3.2          | 丸平ねじ 11/64-40 L= 3   | 1   |
| 28     |      | 107-04153     | BOBBIN THREAD GUIDE PLATE ASM. | 糸巻き案内板 (組)           | 1   |
| 29     |      | 107-04104     | BOBBIN THREAD GUIDE PLATE      | 糸巻き案内板               | (1) |
| 30     |      | 100-88003     | THREAD GUIDE                   | 第一糸調子案内板             | (1) |
| 31     |      | NS-6110310-SP | NUT 11/64-40                   | 六角ナット 11/64-40       | (1) |
| 32     |      | B3216-047-000 | BOBBIN WINDER TENSION NUT      | 糸調子ナット               | (1) |
| 33     | ★    | D3168-555-H0B | TENSION SPRING NO.1            | 第一糸調子ばね              | (1) |
| 34     |      | B3214-047-000 | BOBBIN WINDER TENSION DISC     | 糸調子皿                 | (2) |
| 35     |      | 101-24204     | THREAD TENSION POST, A         | 第一糸調子棒 A             | (1) |
| 36     |      | SS-7621040-SP | SCREW 3/16-32 L= 9.5           | 丸平ねじ 3/16-32 L=9.5   | 2   |

# 14. PRESSURE ADJUSTING COMPONENTS

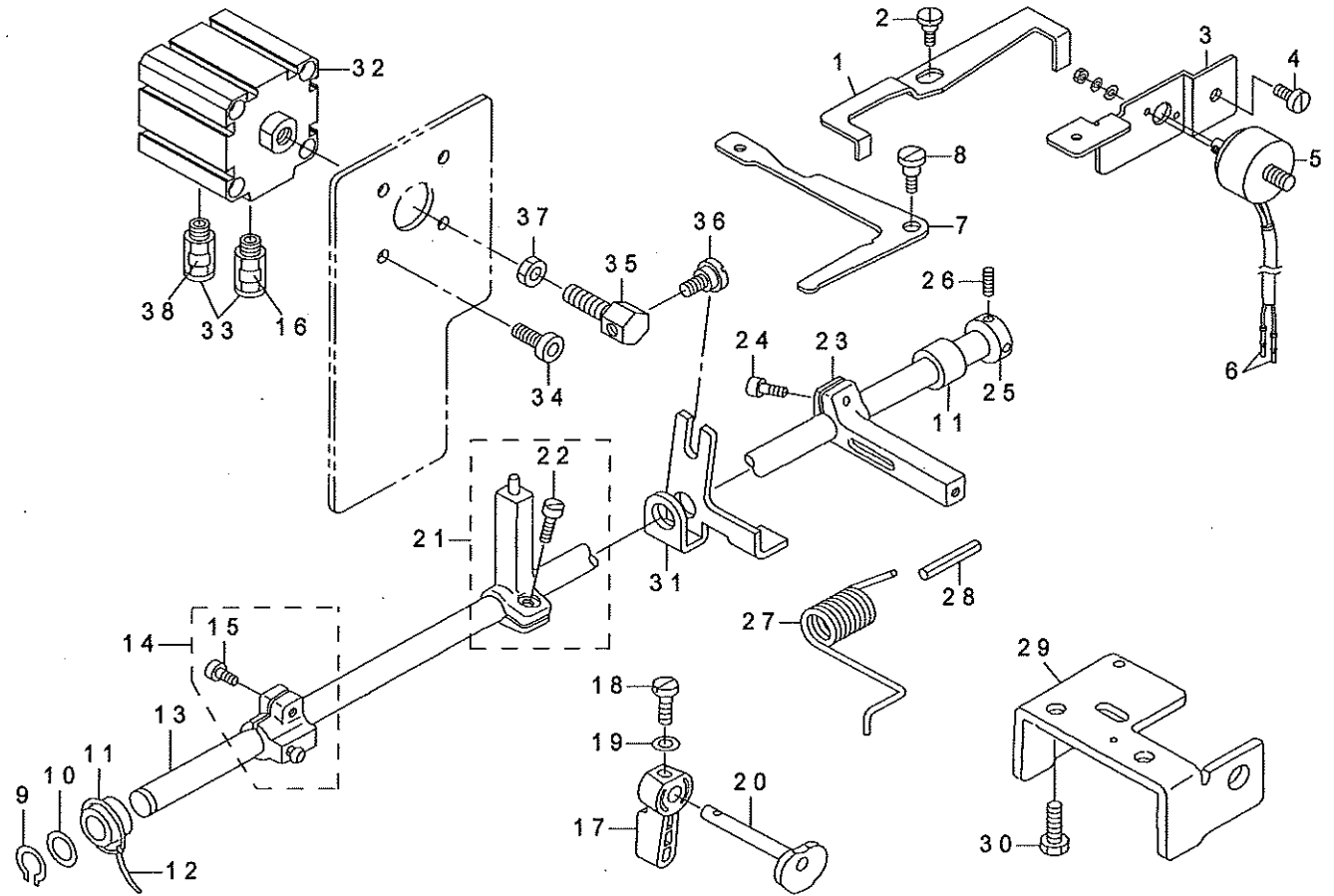
押え圧調節関係



| REF.NO | NOTE  | PART NO       | DESCRIPTION              | 品名               | Qty   |
|--------|-------|---------------|--------------------------|------------------|-------|
| 1      |       | 107-43300     | ADJUSTMENT DIAL          | 押え調節ダイヤル         | 1     |
| 2      |       | 107-16009     | ADJUSTING HINGE PIN      | 押え調節ヒンジピン        | 1     |
| 3      |       | RC-1200001-KP | C-SHAPED SNAP RING       | C形止め輪            | 1     |
| 4      | #01   | 107-17056     | ADJUSTMENT SPRING ASM.   | 押え調節ばね(組)        | 1     |
| 5      |       | 400-64240     | ADJUSTMENT_SPRING_ASM.   | 押え調節ばねφ1.8組      | 1     |
| 6      | #01   | 107-18351     | ADJUSTMENT SPRING ASM.   | 押え調節ばねφ1.4組      | 1     |
| 7      |       | PS-0300082-KH | SPRING PIN 3X8           | スプリングピン 3.0 X 8  | (2)   |
| 8      |       | RE-0500000-K0 | E-RING                   | E形止め輪 5          | (1)   |
| 9      |       | 107-15506     | SPRING RECEIVING, UPPER  | 押え調節ばね受け(上)      | (1)   |
| 10     |       | 400-52260     | ADJUSTING SPRING SHAFT   | 押え圧調節ばね軸         | (1)   |
| 11     | ☆ #01 | 107-17007     | ADJUSTING SPRING         | 押え調節ばね           | (1)   |
| 12     | ☆     | 107-15902     | ADJUSTMENT SPRING 1.8    | 押え調節ばね(φ1.8)     | (1)   |
| 13     | ☆ #01 | 107-18302     | ADJUSTMENT SPRING 1.4    | 押え調節ばね(φ1.4)     | (1)   |
| 14     |       | 107-15605     | SPRING RECEIVING, LOWER  | 押え調節ばね受け(下)      | (1)   |
| 15     |       | BP-6000000-00 | VINYL PIPE               | ビニールパイプ          | (0.1) |
| 16     |       | NS-6150430-SP | NUT 15/64-28             | 六角ナット 15/64-28   | 1     |
| 17     |       | 107-16108     | ADJUSTING ARM            | 押え圧調節腕           | 1     |
| 18     |       | 107-16207     | ADJUSTING ARM SHAFT      | 押え圧調節腕軸          | 1     |
| 19     |       | SS-8120740-SP | SCREW 3/16-28 L=7        | 止めねじ 3/16-28 L=7 | 1     |
| 20     |       | SD-0700332-SP | HINGE SCREW D=7 H=3.5    | 段ねじ D=7 H=3.5    | 1     |
| 21     |       | 107-16603     | ADJUSTING SPRING SUPPORT | 押え圧調節ばね支え        | 1     |
|        |       | NOTE(注記)      | #01....OPTIONAL PARTS    | オプション部品          |       |

# 15.PRESSER LIFTER,AUTOMATIC PRESSER LIFTER & TENSION RELEASE MECHANISM COMPONENTS

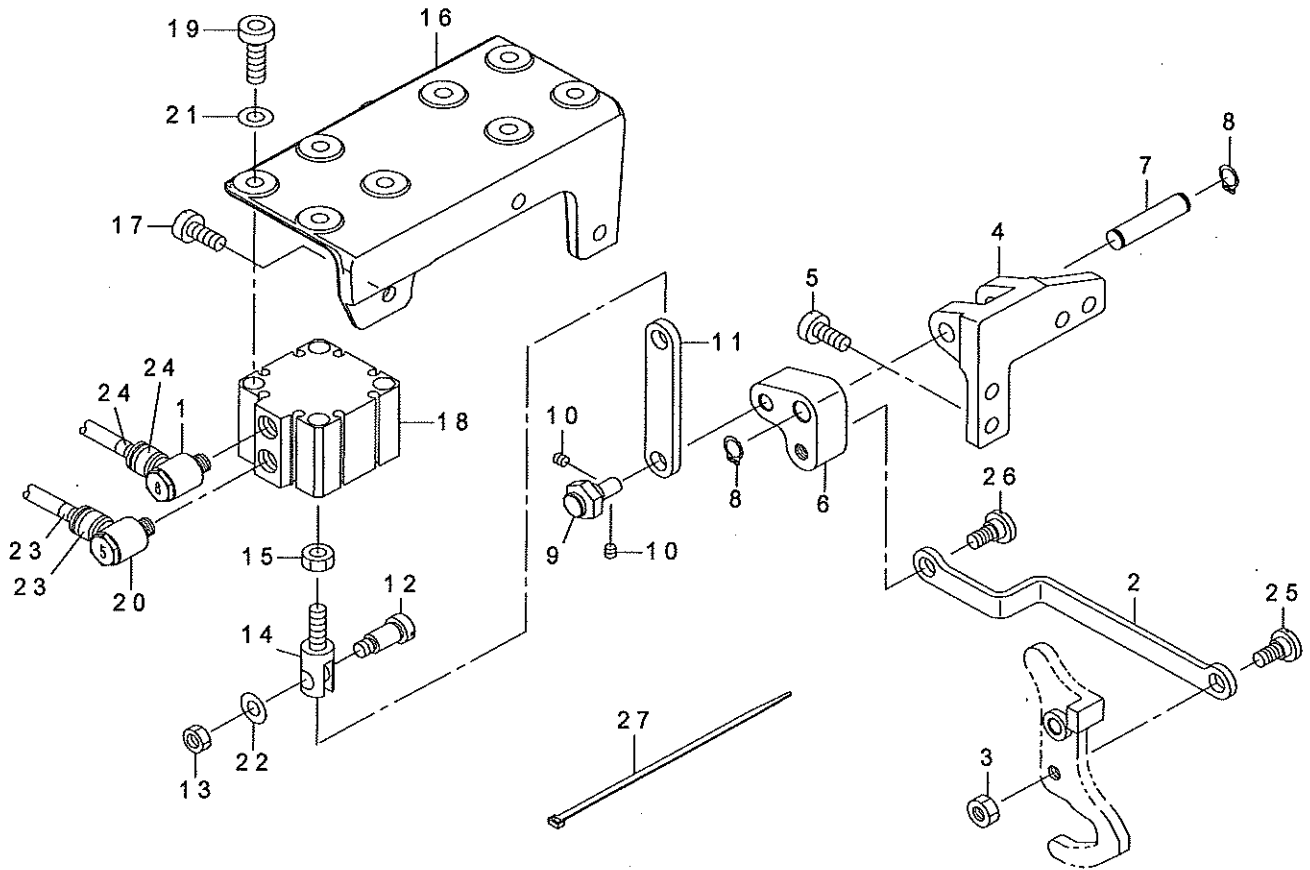
押え上げ・自動押え上げ・糸ゆるめ機構関係



| REF.NO | NOTE | PART NO       | DESCRIPTION               | 品名                 | Qty |
|--------|------|---------------|---------------------------|--------------------|-----|
| 1      |      | 107-29010     | THREAD LOOSENING ARM      | 糸緩め腕               | 1   |
| 2      |      | SD-0790203-SP | HINGE SCREW D=7.94 H=2    | 段ねじ D=7.94 H=2     | 1   |
| 3      |      | 107-29218     | SOLENOID FITTING PLATE    | 糸緩めソレノイド取付け板       | 1   |
| 4      |      | SS-6121010-SP | SCREW 3/16-28 L=10        | 平ねじ 3/16-28 L=10   | 2   |
| 5      |      | 107-28905     | THREAD LOOSENING SOLENOID | 糸緩めソレノイド           | 1   |
| 6      |      | HK-0346400-0B | PIN CONTACT               | ピンコンタクト            | 2   |
| 7      |      | 107-28806     | THREAD LOOSENING LEVER    | 糸緩めレバー             | 1   |
| 8      |      | SD-0901201-TP | HINGE SCREW D=9 H=3.2     | 段ねじ D=9 H=3.2      | 1   |
| 9      |      | RC-1200001-KP | C-SHAPED SNAP RING        | C形止め輪              | 1   |
| 10     |      | WP-1221016-SP | WASHER                    | 平座金                | 1   |
| 11     |      | 107-31008     | KNEE LIFT FRONT METAL     | 膝上げ鞍前メタル           | 2   |
| 12     |      | CQ-2000000-00 | OIL WICK                  | 油芯                 | 0.2 |
| 13     |      | 107-30513     | KNEE LIFT SHAFT           | 膝上げ軸               | 1   |
| 14     |      | 107-29754     | PRESSER LIFT ARM ASM.     | 押え上げ腕 (組)          | 1   |
| 15     |      | SM-6051402-TP | SCREW M5X0.8 L=14         | 六角穴ボルト             | (1) |
| 16     |      | HX-0029500-0F | WIRE MARK (7)             | ワイヤーマーク (7)        | 1   |
| 17     |      | 229-07802     | HAND LIFTER               | 押え上げレバー            | 1   |
| 18     |      | SS-7090910-TP | SCREW 9/64-40 L=8.5       | 丸平ねじ 9/64-40 L=8.5 | 1   |
| 19     |      | WP-0371016-SD | WASHER 3.7X8X1            | 平座金 3.7X8X1        | 1   |
| 20     |      | 107-29606     | PRESSER LIFT CAM          | 押え上げカム             | 1   |
| 21     |      | 107-29952     | THREAD LOOSENING ARM ASM. | 糸緩め腕 (組)           | 1   |
| 22     |      | SM-6061210-SC | SCREW M6 L=12             | 平小ねじ M6 L=12       | (1) |
| 23     |      | 107-30109     | KNEE LIFT ARM A           | 膝上げ腕 A             | 1   |
| 24     |      | SM-6061202-TP | SCREW M6 L=12             | 六角穴ボルト M6 L=12     | 1   |
| 25     |      | CS-1201011-SH | THRUST COLLAR D=12 W=10   | スラスト受 D=12 W=10    | 1   |
| 26     |      | SS-8660610-TP | SCREW 1/4-40 L=6          | 止めねじ 1/4-40 L=6    | 2   |
| 27     |      | 107-55502     | KNEE LIFTER SPRING        | 膝上げばね              | 1   |
| 28     |      | PS-0500302-KH | SPRING PIN 5X30           | スプリングピン 5X30       | 1   |
| 29     |      | 107-30703     | KNEE SIDE SHAFT HOLDER    | 膝当て横軸受け            | 1   |
| 30     |      | SM-9081050-SE | SCREW                     | 六角ボルト              | 2   |
| 31     |      | 107-36908     | PRESSER LIFT LEVER        | 押え上げてこ             | 1   |
| 32     |      | PA-4002003-00 | AIR CYLINDER              | エアシリンダ             | 1   |
| 33     |      | PJ-3010651-04 | HALF UNION                | ストレート              | 2   |
| 34     |      | SM-6081802-TP | SCREW                     | 六角穴ボルト             | 2   |
| 35     |      | 107-37013     | CYLINDER CONNECTION SCREW | シリンダー連結ねじ          | 1   |
| 36     |      | SD-0720331-SP | HINGE SCREW D=7.24 H=3.3  | 段ねじ D=7.24 H=3.3   | 1   |
| 37     |      | NM-6080001-SE | NUT M8                    | 六角ナット M8 1種        | 1   |
| 38     |      | HX-0029500-0G | WIRE MARK (8)             | ワイヤーマーク [8]        | 1   |

# 16.2P DEVICE

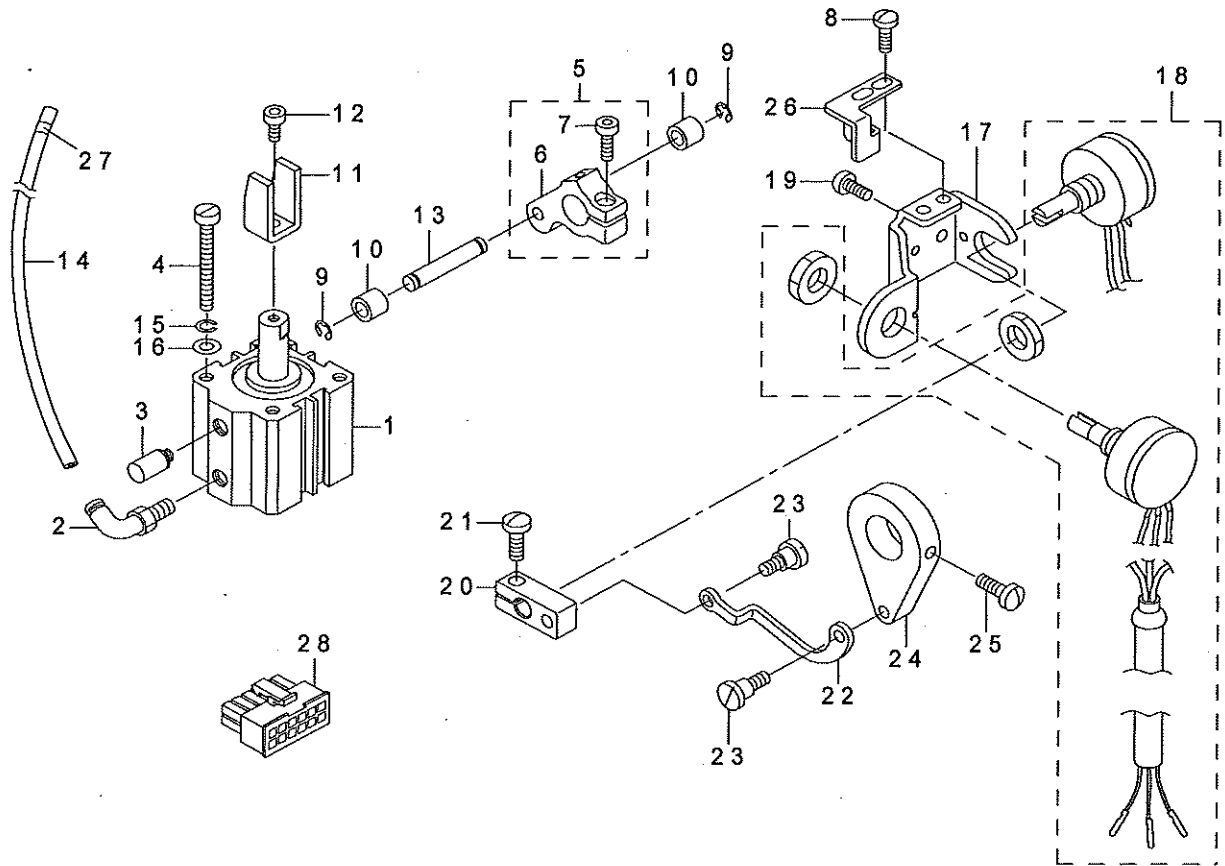
## 2 P 装置



| REF.NO | NOTE | PART NO       | DESCRIPTION                   | 品名                | Qty |
|--------|------|---------------|-------------------------------|-------------------|-----|
| 1      |      | PC-015118H-00 | SPEED CONTROLLER WITH ORIFISE | 固定絞付きスピードコントローラ   | 1   |
| 2      |      | 400-25561     | FEED CONNECTING LINK          | 送り調節体リンク          | 1   |
| 3      |      | NS-6150540-SP | NUT 15/64-28                  | 六角ナット 15/64-28    | 1   |
| 4      |      | 400-31233     | TRANSFORM LINK BASE           | 変換リンク土台           | 1   |
| 5      |      | SS-6151440-SP | SCREW 15/64-28 L=14           | 平ねじ 15/64-28 L=14 | 4   |
| 6      |      | 400-31234     | TRANSFORM LINK                | 変換リンク             | 1   |
| 7      |      | 400-31235     | FULCRUM SHAFT                 | 変換リンク支点軸          | 1   |
| 8      |      | RC-0740811-KP | C-RING                        | C形止め輪 8           | 2   |
| 9      |      | 213-37902     | ECCENTRIC PIN                 | 送り調節偏心ピン          | 1   |
| 10     |      | SM-8040412-TP | SET SCREW M4 L=4              | 止めねじ              | 2   |
| 11     |      | 400-52246     | CYLINDER CONNECTING LINK      | シリンダ連結リンク         | 1   |
| 12     |      | SD-0791271-SP | HINGE SCREW D=7.94 H=12.7     | 段ねじ D=7.94 H=12.7 | 1   |
| 13     |      | NS-6150430-SP | NUT 15/64-28                  | 六角ナット 15/64-28    | 1   |
| 14     |      | 107-36601     | CYLINDER KNUCKLE JOINT        | 逆送りシリンダナックルジョイント  | 1   |
| 15     |      | NM-6060001-SE | NUT M6                        | 六角ナット M6 1種       | 1   |
| 16     |      | 400-58056     | INSTALLING_BASE               | シリンダ取付板           | 1   |
| 17     |      | SS-6151440-SP | SCREW 15/64-28 L=14           | 平ねじ 15/64-28 L=14 | 3   |
| 18     |      | PA-3201004-00 | AIR CYLINDER                  | エアシリンダ            | 1   |
| 19     |      | SM-6061802-TP | SCREW M6 L=18                 | 六角穴ボルト            | 4   |
| 20     |      | PC-015118E-00 | SPEED CONTROLLER WITH ORIFISE | 固定絞付きスピードコントローラ   | 1   |
| 21     |      | WP-0641601-SD | WASHER M6                     | 平座金みがき丸 M6        | 4   |
| 22     |      | WP-0621016-SD | WASHER 6.2X13X1               | 平座金 6.2 X 13 X 1  | 1   |
| 23     |      | HX-0029500-0K | WIRE MARK (B)                 | ワイヤーマーク (B)       | 2   |
| 24     |      | HX-0029500-0L | WIRE MARK (C)                 | ワイヤーマーク (C)       | 2   |
| 25     |      | SD-0800352-SP | HINGE SCREW D=8 H=3.5         | 段ねじ D=8 H=3.5     | 1   |
| 26     |      | SD-0800352-SP | HINGE SCREW D=8 H=3.5         | 段ねじ D=8 H=3.5     | 1   |
| 27     |      | EA-9500B02-00 | CABLE BAND 150                | 結束バンド150          | 1   |

# 17.MUTUAL RISING QUANTITY TRANSFER COMPONENTS

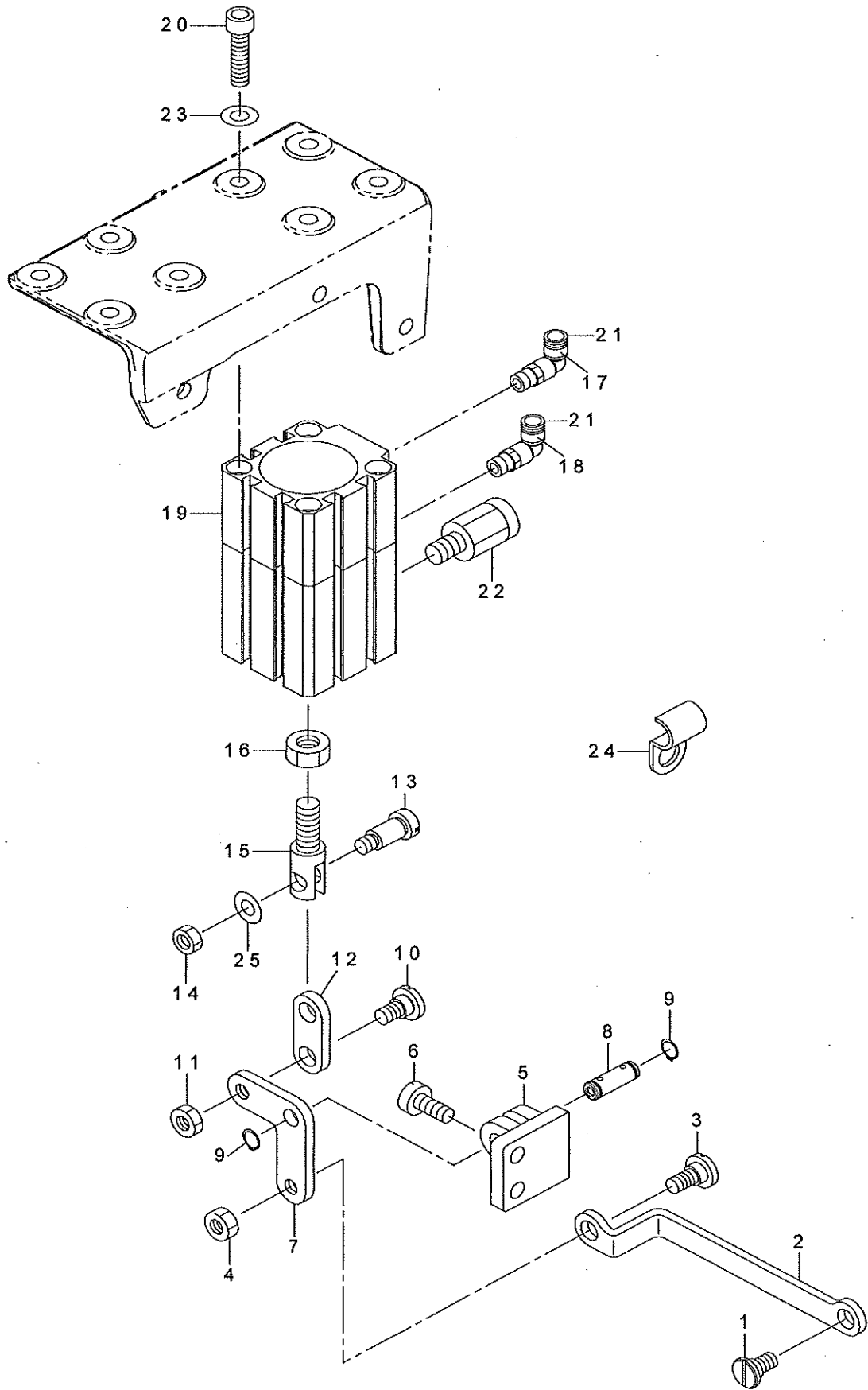
交互上昇量切替装置関係



| REF.NO | NOTE | PART NO       | DESCRIPTION                | 品名                  | Qty |
|--------|------|---------------|----------------------------|---------------------|-----|
| 1      |      | PA-2502006-00 | AIR CYLINDER               | エアシリンダ              | 1   |
| 2      |      | PJ-3040605-01 | ELBOW                      | エルボ                 | 1   |
| 3      |      | PX-0505010-00 | SILENCER                   | 消音器                 | 1   |
| 4      |      | SM-6044500-SP | SCREW                      | 平ねじ                 | 2   |
| 5      |      | 107-35959     | VERTICAL CYLINDER ARM ASM. | 交互上下シリンダー腕 (組)      | 1   |
| 6      |      | 107-35900     | VERTICAL CYLINDER ARM      | 交互上下シリンダー腕          | (1) |
| 7      |      | SM-6051402-TP | SCREW M5X0.8 L=14          | 六角穴ボルト              | (1) |
| 8      |      | SS-7110510-SP | SCREW 11/64-40 L=5         | 丸平ねじ 11/64-40 L=5   | 2   |
| 9      |      | RE-0320000-K0 | E-RING 3.2                 | E形止め輪 3.2           | 2   |
| 10     |      | B3031-141-H00 | CONNECTING STUD            | 抱きガイドコロ             | 2   |
| 11     |      | 107-36007     | ROLLER HOLDER              | ローラー受け              | 1   |
| 12     |      | SM-6050802-TP | SCREW M5X0.8 L=8           | 六角穴ボルト M5X0.7 L=8   | 1   |
| 13     |      | B1504-210-000 | CONNECTING SHAFT           | ソレノイド連結軸            | 1   |
| 14     |      | BT-0600401-EB | TUBE                       | チューブ                | 1.2 |
| 15     |      | WS-0410002-KN | SPRING WASHER              | ばね座金 M4             | 2   |
| 16     |      | WP-0450846-SP | WASHER                     | 平座金                 | 2   |
| 17     |      | 107-37500     | SPEED VOLUME FITTING PLATE | 速度可変ボリューム取付け板       | 1   |
| 18     |      | 400-24865     | POTENTIAL METER ASM.       | CDポテンショメータ組         | 1   |
| 19     |      | SS-7110910-TP | SCREW 11/64-40 L=8.5       | 丸平ねじ 11/64-40 L=8.5 | 2   |
| 20     |      | 400-52249     | VOLUME ARM                 | ボリューム腕              | 1   |
| 21     |      | SS-7110910-TP | SCREW 11/64-40 L=8.5       | 丸平ねじ 11/64-40 L=8.5 | 1   |
| 22     |      | 107-37708     | SPEED VOLUME LINK          | 速度可変ボリュームリンク        | 1   |
| 23     |      | SD-0550212-TP | HINGE SCREW D=5.5 H=2.1    | 段ねじ D=5.5 H=2.1     | 2   |
| 24     |      | 107-37807     | VOLUME LINK ARM            | ボリュームリンク腕           | 1   |
| 25     |      | SS-7110910-TP | SCREW 11/64-40 L=8.5       | 丸平ねじ 11/64-40 L=8.5 | 1   |
| 26     |      | 107-38755     | PRESSER PLATE ASM.         | ボリューム押え板 (組)        | 1   |
| 27     |      | HX-0029500-0H | WIRE MARK (9)              | ワイヤーマーク「9」          | 1   |
| 28     |      | HK-0346101-20 | CONNECTOR                  | ハウジング 12P           | 1   |

# 18.BACK TUCK COMPONENTS

バックタック関係

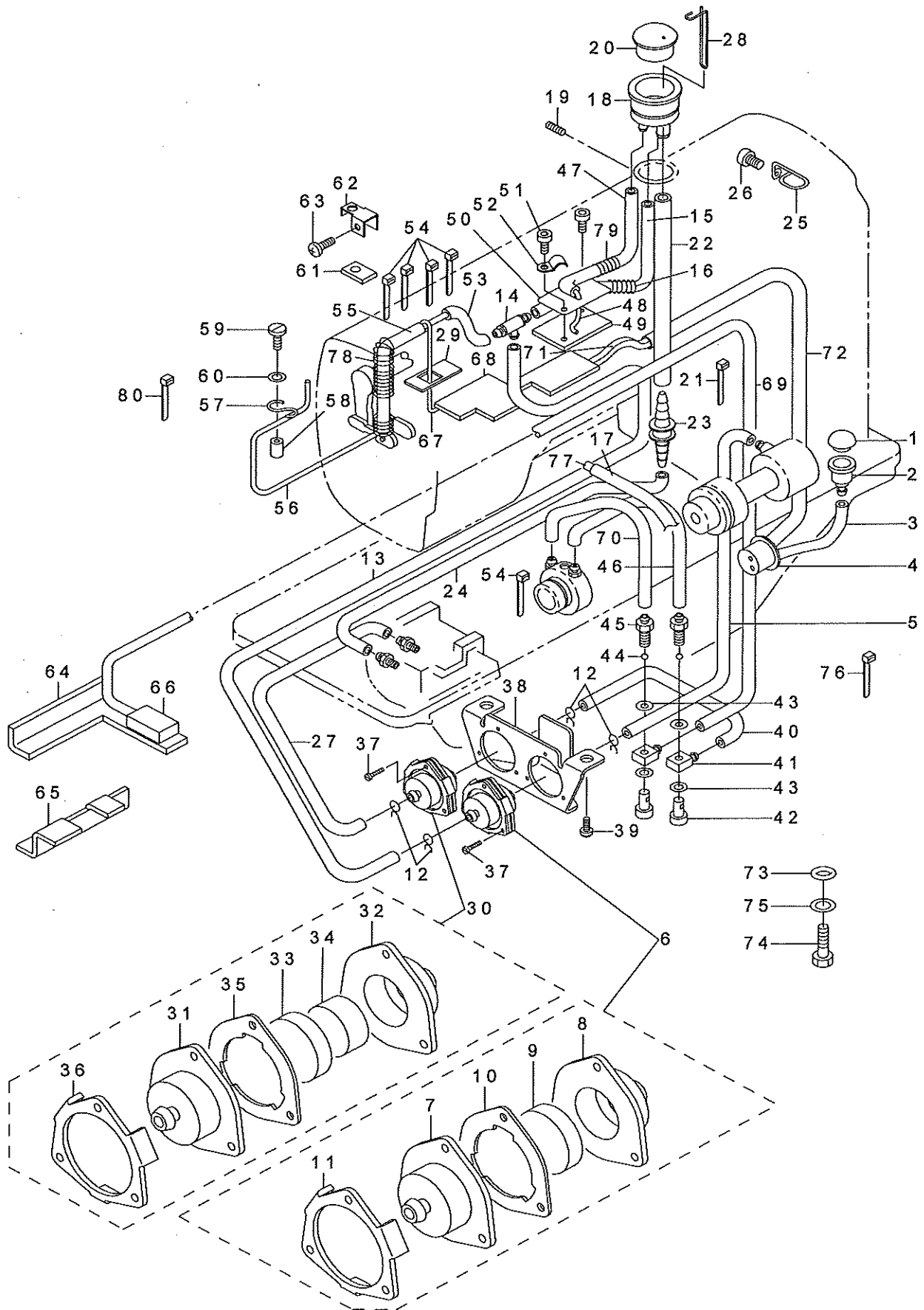


| REF.NO | NOTE | PART NO       | DESCRIPTION                    | 品名                | Qty |
|--------|------|---------------|--------------------------------|-------------------|-----|
| 1      |      | SD-0800346-TP | SHOULDER SCREW                 | 段ねじ D=8 H=3.4     | 1   |
| 2      |      | 107-36403     | BACKWARD FEED ROD              | 逆送りロッド            | 1   |
| 3      |      | SD-0800352-SP | HINGE SCREW D=8 H=3.5          | 段ねじ D=8 H=3.5     | 1   |
| 4      |      | NS-6150540-SP | NUT 15/64-28                   | 六角ナット 15/64-28    | 1   |
| 5      |      | 107-75807     | LINK FITTING BASE              | 逆送りリンク取付け台        | 1   |
| 6      |      | SS-6151440-SP | SCREW 15/64-28 L=14            | 平ねじ 15/64-28 L=14 | 2   |
| 7      |      | 400-58055     | BACKWARD_FEED_LINK_A           | 逆送りリンク A          | 1   |
| 8      |      | 107-18906     | VERTICAL FEED LINK SHAFT       | 上下送りリンク軸          | 1   |
| 9      |      | RC-0650811-KP | RETAINING RING                 | C形止め輪             | 2   |
| 10     |      | SD-0800402-TP | HINGE SCREW D=8 H=4            | 段ねじ D=8 H=4       | 1   |
| 11     |      | NS-6150430-SP | NUT 15/64-28                   | 六角ナット 15/64-28    | 1   |
| 12     |      | 400-58053     | BACKWARD_FEED_CONNECTING_PLATE | 逆送り連結板            | 1   |
| 13     |      | SD-0791271-SP | HINGE SCREW D=7.94 H=12.7      | 段ねじ D=7.94 H=12.7 | 1   |
| 14     |      | NS-6150430-SP | NUT 15/64-28                   | 六角ナット 15/64-28    | 2   |
| 15     |      | 400-58143     | CYLINDER_KNUCKLE_JOINT         | 逆送りナックルジョイント      | 1   |
| 16     |      | NM-6080001-SE | NUT M8                         | 六角ナット M8 1種       | 1   |
| 17     |      | HX-0029500-00 | WIRE MARK(1)                   | ワイヤーマーク (1)       | 1   |
| 18     |      | HX-0029500-0A | WIRE MARK(2)                   | ワイヤーマーク (2)       | 1   |
| 19     |      | PA-3202002-00 | AIR CYLINDER                   | エアシリンダ            | 1   |
| 20     |      | SM-6062502-TP | SCREW M6 L=25                  | 六角穴ボルト M6 L=25    | 4   |
| 21     |      | PJ-3040651-02 | ELBOW                          | エルボ               | 2   |
| 22     |      | PX-0151010-00 | MUFFLER                        | マフラ               | 2   |
| 23     |      | WP-0641601-SD | WASHER M6                      | 平座金みがき丸 M6        | 4   |
| 24     |      | B3538-112-000 | OIL RETURN TUBE HOLDER         | 還流パイプ押え           | 1   |
| 25     |      | WP-0621016-SD | WASHER 6.2X13X1                | 平座金 6.2 X 13 X 1  | 1   |



# 19. LUBRICATION COMPONENTS

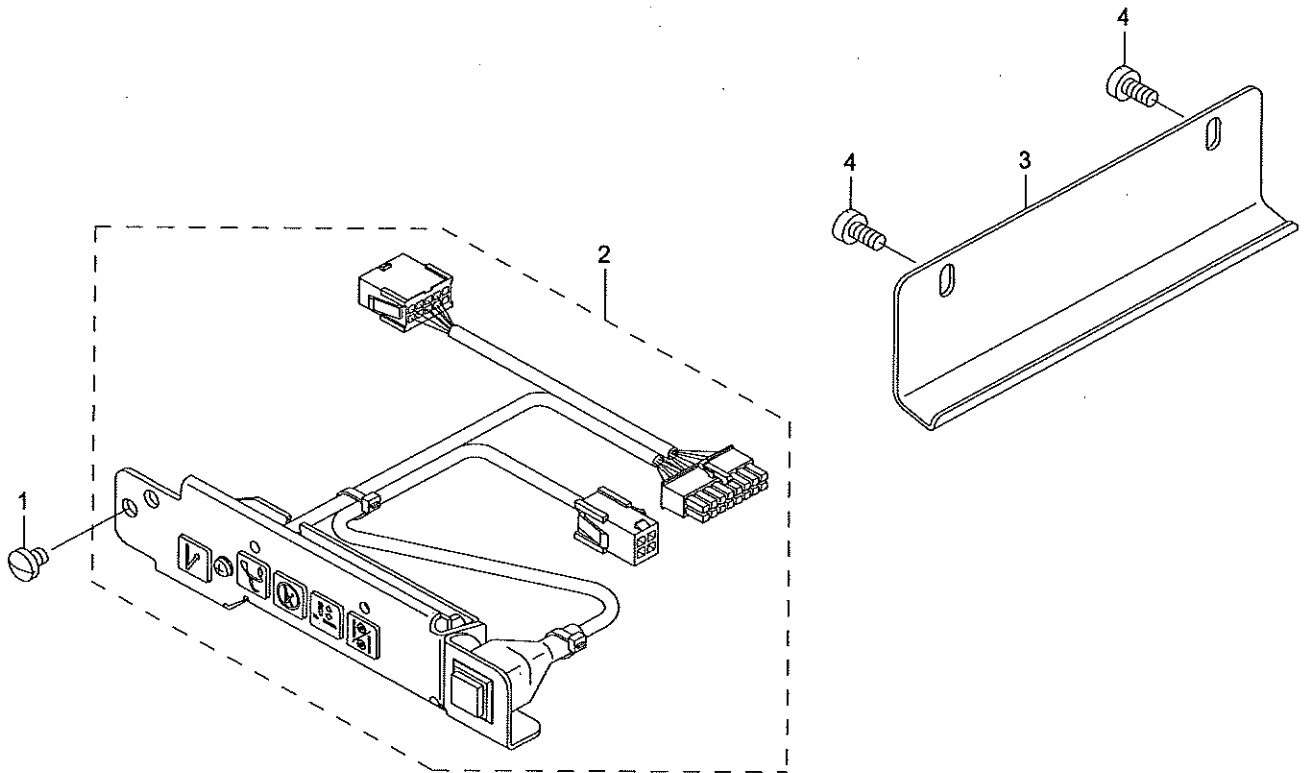
給油関係



| REF.NO | NOTE | PART NO         | DESCRIPTION                     | 品名                 | Qty  |
|--------|------|-----------------|---------------------------------|--------------------|------|
| 1      |      | TA-1450404-R0   | RUBBER PLUG D=14.5 L=4          | 止栓 D=14.5 L=4      | 1    |
| 2      |      | 107-31404       | LUBRICATING HOLE                | 給油口                | 1    |
| 3      |      | BT-0600402-EA   | OIL TUBE                        | チューブ               | 0.2  |
| 4      |      | 107-33004       | BED TANK LUBRICATING COVER      | ベッドタンク給油蓋          | 1    |
| 5      |      | BT-0500300-E0   | OIL TUBE                        | ウレタン チューブ D=3 X 5  | 0.3  |
| 6      |      | 107-27154       | FILTER A ASM.                   | フィルター A (組)        | 1    |
| 7      |      | 107-27105       | FILTER CASE                     | フィルターケース           | (1)  |
| 8      |      | 107-27204       | FILTER CAP                      | フィルターキャップ          | (1)  |
| 9      |      | B8228-125-000   | OIL RESERVOIR MAGNET            | 磁石                 | (1)  |
| 10     |      | 107-39209       | FILTER PACKING                  | フィルターパッキン          | (1)  |
| 11     |      | 107-53002       | FILTER PLATE                    | フィルター押え板           | (1)  |
| 12     |      | 101-26803       | OIL TUBE HOLDER                 | パイプ止め              | 4    |
| 13     |      | BT-0500300-E0   | OIL TUBE                        | ウレタン チューブ D=3 X 5  | 0.6  |
| 14     |      | B3521-245-000   | RUBBER JOINT                    | T 型継ぎ手             | 1    |
| 15     |      | BT-0500300-E0   | OIL TUBE                        | ウレタン チューブ D=3 X 5  | 0.2  |
| 16     |      | B3520-245-000   | SPRING                          | ばね                 | 1    |
| 17     |      | BT-0800602-E0   | URETHANE TUBE 6X8 TRANSPARENT   | ウレタンチューブ 6 X 8 透明  | 0.14 |
| 18     |      | 107-71509       | OIL WINDOW                      | 油のぞき台              | 1    |
| 19     |      | SS-8150750-SP   | SCREW 15/64-28 L=7              | 止めねじ 15/64-28 L=7  | 1    |
| 20     |      | 107-60304       | OIL SIGHT WINDOW                | 油のぞき窓              | 1    |
| 21     |      | EA-9500800-00   | CLIP CV-70S                     | 結束バンド 60           | 3    |
| 22     |      | BT-0800602-E0   | URETHANE TUBE 6X8 TRANSPARENT   | ウレタンチューブ 6 X 8 透明  | 0.17 |
| 23     |      | 107-71301       | PIPE CONNECTOR B                | パイプ継手 B            | 1    |
| 24     |      | BT-0600402-EA   | OIL TUBE                        | チューブ               | 0.45 |
| 25     |      | 107-32709       | CORD GUIDE                      | コード案内              | 1    |
| 26     |      | SS-6121010-SP   | SCREW 3/16-28 L=10              | 平ねじ 3/16-28 L=10   | 1    |
| 27     |      | BT-0500300-E0   | OIL TUBE                        | ウレタン チューブ D=3 X 5  | 0.15 |
| 28     |      | 107-60502       | LUBRICATION GUIDE BAR           | 給油案内棒              | 1    |
| 29     |      | 107-47111       | LUBRICATING FELT                | 上送り給油フェルト          | 1    |
| 30     |      | 107-27162       | FILTER B ASM.                   | フィルター B (組)        | 1    |
| 31     |      | 107-27105       | FILTER CASE                     | フィルターケース           | (1)  |
| 32     |      | 107-27204       | FILTER CAP                      | フィルターキャップ          | (1)  |
| 33     |      | B8228-125-000   | OIL RESERVOIR MAGNET            | 磁石                 | (1)  |
| 34     | ★    | 107-27303       | FILTER                          | フィルター              | (1)  |
| 35     | ★    | 107-39209       | FILTER PACKING                  | フィルターパッキン          | (1)  |
| 36     |      | 107-53002       | FILTER PLATE                    | フィルター押え板           | (1)  |
| 37     |      | SM-6021000-TP   | SCREW                           | 平ねじ                | 6    |
| 38     |      | 107-55403       | FILTER FIXING PLATE             | フィルター固定板           | 1    |
| 39     |      | SM-6061210-SC   | SCREW M6 L=12                   | 平小ねじ M6 L=12       | 2    |
| 40     |      | BT-0500300-E0   | OIL TUBE                        | ウレタン チューブ D=3 X 5  | 0.1  |
| 41     |      | SQ-0000401-MZ   | CONNECTING SCREW                | チューブ連結ねじ           | 2    |
| 42     |      | B3525-357-000   | CONNECTING SCREW (B)            | L 型連結ねじ B          | 2    |
| 43     |      | B3534-012-000   | GASKET                          | パッキン               | 4    |
| 44     |      | 210-54903       | BALL                            | 送り調節用 鋼球           | 2    |
| 45     |      | 107-02108       | CONNECTING SCREW                | パイプ連結ねじ            | 2    |
| 46     |      | BT-0500300-E0   | OIL TUBE                        | ウレタン チューブ D=3 X 5  | 0.13 |
| 47     |      | BT-0600402-EA   | OIL TUBE                        | チューブ               | 0.28 |
| 48     |      | CQ-2520000-00   | OIL WICK                        | 油芯                 | 0.55 |
| 49     |      | 107-32402       | VERTICAL LUBRICATING FELT       | 交互上下給油フェルト         | 1    |
| 50     |      | 107-32600       | LUBRICATING FELT PRESSER B      | 給油フェルト押え B         | 1    |
| 51     |      | SM-6050802-TP   | SCREW M5X0.8 L=8                | 六角ボルト M5 X 0.7 L=8 | 1    |
| 52     |      | D2611-555-B00-A | CABLE HOLDER                    | ケーブル止め金具           | 1    |
| 53     |      | BT-0600402-EA   | OIL TUBE                        | チューブ               | 0.04 |
| 54     |      | EA-9500801-00   | CABLE BAND                      | 束縛バンド              | 11   |
| 55     |      | BT-0400251-EA   | TUBE HOSE, BLUE                 | ウレタンホース 青          | 0.16 |
| 56     |      | CQ-2020000-00   | OIL WICK                        | 油芯                 | 0.4  |
| 57     |      | B1648-122-000   | SUSPENSION HOOK (B)             | 引っ張りばね掛け B         | 1    |
| 58     |      | 107-34606       | FELT PRESSER SPACER             | 上送り給油フェルト押えスペーサー   | 1    |
| 59     |      | SS-6081210-SP   | SCREW 1/8-44 L=12               | 平ねじ 1/8-44 L=12    | 1    |
| 60     |      | WP-0320501-SC   | WASHER M3                       | 平座金 3.2 X 7 X 0.5  | 1    |
| 61     |      | 107-33608       | SWING STAND FELT, UPPER         | 揺動台フェルト (上)        | 1    |
| 62     |      | 107-33707       | SWING STAND FELT SUPPORT, UPPER | 揺動台フェルト (上) 押え     | 1    |
| 63     |      | SM-4040601-SC   | SCREW M4X0.7 L=6                | なべ小ねじ M4 X 0.7 L=6 | 1    |
| 64     |      | 107-34119       | RETURN CURRENT FELT             | あご部還流フェルト          | 1    |
| 65     |      | 107-02207       | FELT                            | 押え構還流フェルト          | 1    |
| 66     |      | 105-27901       | FELT                            | 還流フェルト             | 1    |
| 67     |      | CQ-2020000-00   | OIL WICK                        | 油芯                 | 0.25 |
| 68     |      | 107-34309       | FELT                            | アーム還流フェルト          | 1    |
| 69     |      | BT-0500300-E0   | OIL TUBE                        | ウレタン チューブ D=3 X 5  | 0.68 |
| 70     |      | BT-0500300-E0   | OIL TUBE                        | ウレタン チューブ D=3 X 5  | 0.13 |
| 71     |      | 107-73000       | FELT                            | 還流フェルト             | 1    |
| 72     |      | BT-0800602-E0   | URETHANE TUBE 6X8 TRANSPARENT   | ウレタンチューブ 6 X 8 透明  | 0.4  |
| 73     |      | RO-0681901-00   | RUBBER RING                     | O リング              | 1    |
| 74     |      | SM-9081050-SE   | SCREW                           | 六角ボルト              | 1    |
| 75     |      | WP-0841601-SC   | WASHER 8.4X17.4X1.6             | 平座金みがき丸 M8         | 1    |
| 76     |      | EA-9500802-00   | CABLE BAND 150                  | 結束バンド 150          | 2    |
| 77     |      | SQ-1680701-MZ   | CONNECTING SCREW                | チューブ連結ねじ           | 1    |
| 78     |      | 107-46907       | SPRING                          | パイプ保護ばね            | 1    |
| 79     |      | 101-23701       | PRESSER SPRING                  | 糸環め戻しばね            | 1    |
| 80     |      | EA-9500800-00   | CLIP CV-70S                     | 結束バンド 60           | 1    |

## 20.6RANG SWITCH COMPONENTS

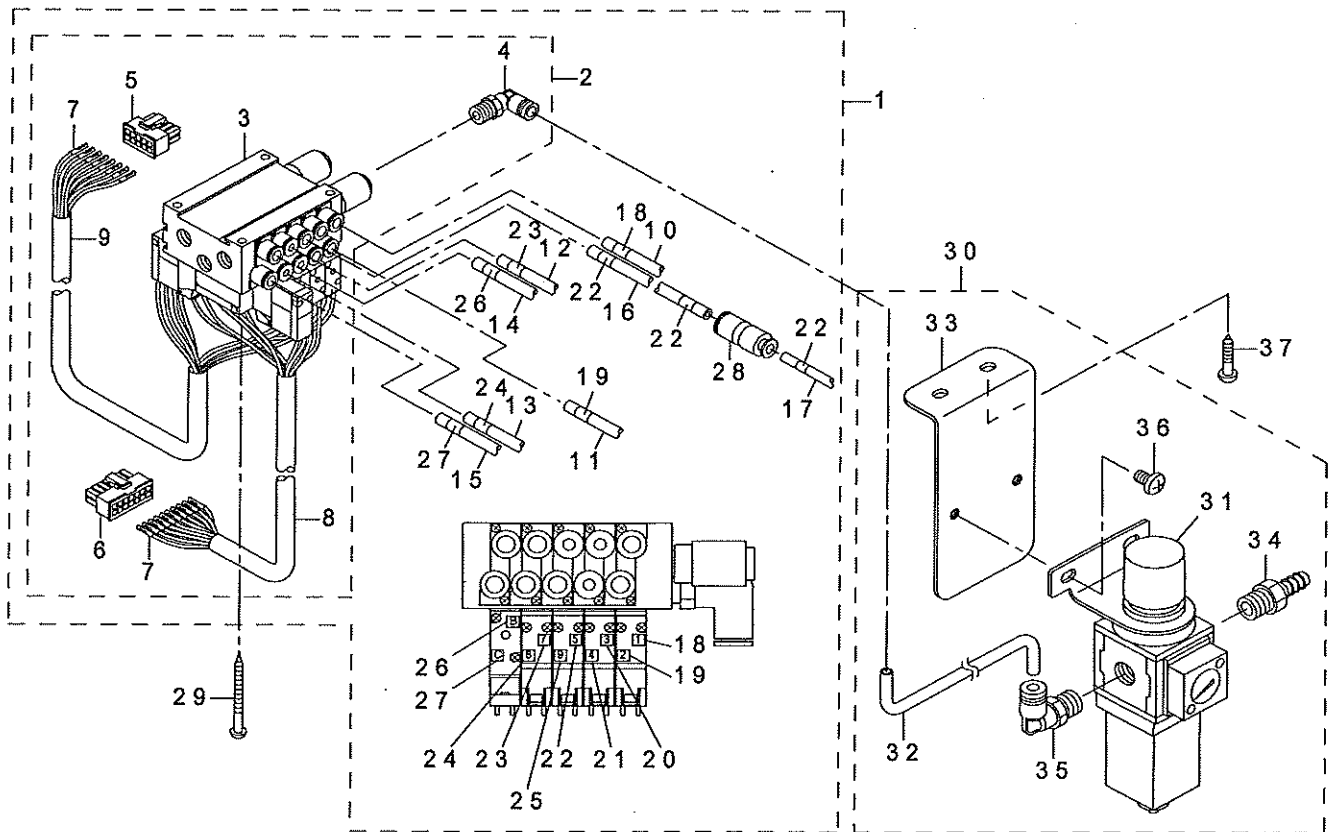
6連スイッチ関係



| REF.NO | NOTE | PART NO       | DESCRIPTION        | 品名               | Qty |
|--------|------|---------------|--------------------|------------------|-----|
| 1      |      | SS-7120640-SP | SCREW 3/16-28 L=6  | 丸平ねじ 3/16-28 L=6 | 2   |
| 2      |      | 400-64611     | 6RANG SWITCH ASM.  | 6連スイッチ (組)       | 1   |
| 3      |      | 400-58057     | CABLE_COVER        | コードカバー           | 1   |
| 4      |      | SS-6121010-SP | SCREW 3/16-28 L=10 | 平ねじ 3/16-28 L=10 | 2   |

## 21.PNEUMATIC COMPONENTS

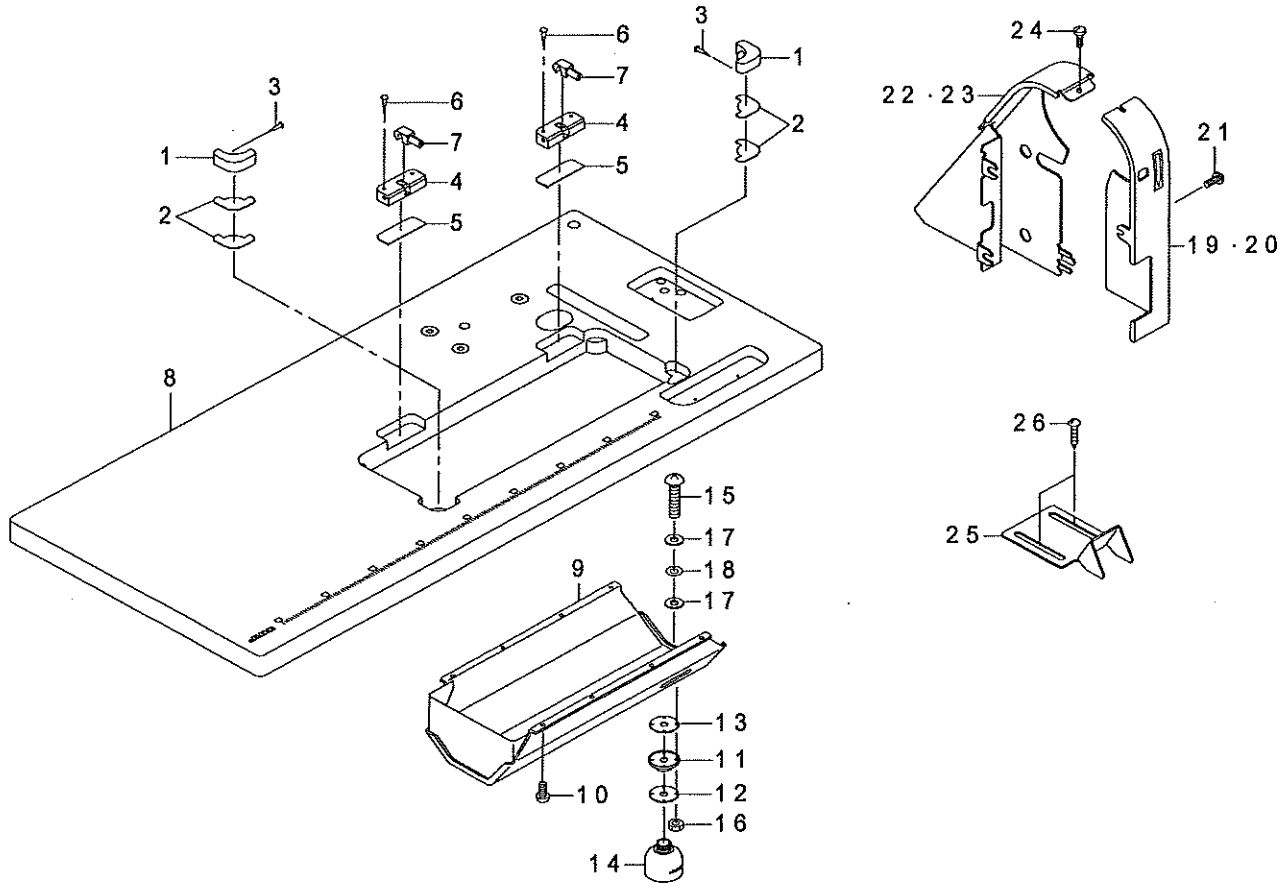
エア装置関係



| REF.NO | NOTE | PART NO       | DESCRIPTION                    | 品名                    | Qty   |
|--------|------|---------------|--------------------------------|-----------------------|-------|
| 1      |      | 400-63828     | AIR APPARATUS (R) ASM.         | エア装置 (R) 組            | 1     |
| 2      |      | 400-63827     | ELECTROMAGNETIC VALVE (R) ASM. | 電磁弁 (R) 組             | (1)   |
| 3      |      | 400-59559     | ELECTROMAGNETIC VALVE (R)      | 電磁弁 (R)               | (1)   |
| 4      |      | GAK-29010000  | ELBOW B                        | クイック継手 B (エルボ)        | (1)   |
| 5      |      | HK-0346101-00 | 10P CONNECTOR                  | ハウジング 10P             | (1)   |
| 6      |      | 400-64517     | CONNECTOR                      | ハウジング 14P 青           | (1)   |
| 7      |      | HK-0346400-0A | TERMINAL, FEMALE               | マスターミナル               | (18)  |
| 8      |      | GAK-A1503000  | INSULATION TUBE                | 絶縁チューブ                | (0.2) |
| 9      |      | GAK-A1503000  | INSULATION TUBE                | 絶縁チューブ                | (0.2) |
| 10     |      | BT-0600401-EB | TUBE                           | チューブ                  | (1.3) |
| 11     |      | BT-0600401-EB | TUBE                           | チューブ                  | (1.3) |
| 12     |      | BT-0600401-EB | TUBE                           | チューブ                  | (1.3) |
| 13     |      | BT-0600401-EB | TUBE                           | チューブ                  | (1.3) |
| 14     |      | BT-0600401-EB | TUBE                           | チューブ                  | (1.3) |
| 15     |      | BT-0600401-EB | TUBE                           | チューブ                  | (1.3) |
| 16     |      | BT-0400251-EB | URETHANE HOSE, BLACK           | ウレタンホース 黒             | (1.2) |
| 17     |      | BT-0200121-EB | URETHANE TUBE BLACK 2X1.2      | ポリウレタン チューブ 黒 2 X 1.2 | (0.4) |
| 18     |      | HX-0029500-00 | WIRE MARK(1)                   | ワイヤーマーク (1)           | (3)   |
| 19     |      | HX-0029500-0A | WIRE MARK(2)                   | ワイヤーマーク (2)           | (3)   |
| 20     |      | HX-0029500-0B | WIRE MARK(3)                   | ワイヤーマーク (3)           | (1)   |
| 21     |      | HX-0029500-0C | WIRE MARK(4)                   | ワイヤーマーク (4)           | (1)   |
| 22     |      | HX-0029500-0D | WIRE MARK(5)                   | ワイヤーマーク (5)           | (4)   |
| 23     |      | HX-0029500-0F | WIRE MARK (7)                  | ワイヤーマーク (7)           | (3)   |
| 24     |      | HX-0029500-0G | WIRE MARK(8)                   | ワイヤーマーク [8]           | (3)   |
| 25     |      | HX-0029500-0H | WIRE MARK(9)                   | ワイヤーマーク [9]           | (1)   |
| 26     |      | HX-0029500-0K | WIRE MARK(B)                   | ワイヤーマーク [B]           | (3)   |
| 27     |      | HX-0029500-0L | WIRE MARK(C)                   | ワイヤーマーク [C]           | (3)   |
| 28     |      | PJ-3030400-06 | JOINT                          | 異型ストレート               | (1)   |
| 29     |      | SK-3415001-SE | SCREWD=4.1 L=50                | 丸木ねじ D=4.1 L=50       | 4     |
| 30     |      | 400-38722     | FILTER REGULATAR ASM.          | フィルタレギュレータ (組)        | 1     |
| 31     |      | PF-0552170-A0 | FILTER REGULATOR               | フィルタレギュレータ            | (1)   |
| 32     |      | BT-0600401-EB | TUBE                           | チューブ                  | (1)   |
| 33     |      | 400-38723     | FILTER REGULATOR MOUNTING PLAT | フィルタレギュレータ取付け板        | (1)   |
| 34     |      | GAK-29011000  | NIPPLE                         | エア継手                  | (1)   |
| 35     |      | GAK-29009000  | ELBOW                          | クイック継手 A (エルボ)        | (1)   |
| 36     |      | SM-4081001-SB | SCREW M6 L=10                  | なべ小ねじ M6 L=10         | (2)   |
| 37     |      | SK-3482501-SE | WOOD SCREW D=4.8 L=25          | 丸木ねじ D=4.8 L=25       | 2     |

## 22.TABLE & BELT COVER COMPONENTS

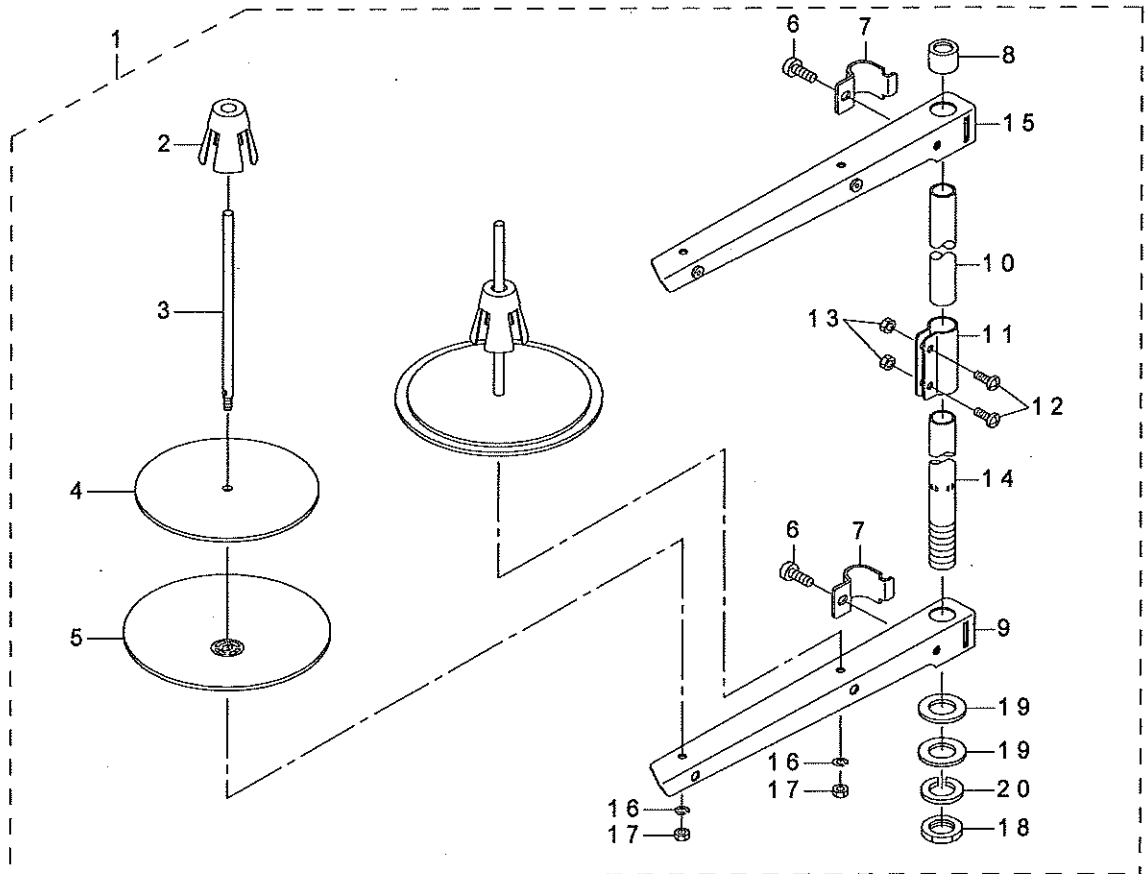
テーブル・ベルトカバー関係



| REF.NO | NOTE | PART NO       | DESCRIPTION                   | 品名                 | Qty |
|--------|------|---------------|-------------------------------|--------------------|-----|
| 1      |      | 107-42302     | HEAD SUPPORT RUBBER           | 頭部支えゴム             | 2   |
| 2      |      | 107-40900     | RUBBER                        | 防振ゴム               | 4   |
| 3      |      | 105-39906     | SET NAIL                      | 止め釘                | 4   |
| 4      |      | 107-34853     | HINGE ASM.                    | ヒンジ座 (組)           | 2   |
| 5      |      | 107-42005     | SPACER                        | スペーサーゴム            | 2   |
| 6      |      | 105-39906     | SET NAIL                      | 止め釘                | 4   |
| 7      |      | B8213-012-000 | BED HINGE CONNECTION          | ヒンジ軸               | 2   |
| 8      |      | 107-35306     | TABLE                         | テーブル               | 1   |
| 9      |      | 107-72952     | OIL RESERVOIR ASM.            | 油受け (組)            | 1   |
| 10     |      | SK-3241601-SC | WOOD SCREW D=2.4 L=16         | 丸木ねじ D=2.4 L=16    | 8   |
| 11     |      | 400-25299     | OIL POT JOINT                 | 油抜き                | 1   |
| 12     |      | 213-79003     | OIL MANAGEMENT WASHER         | 油抜き座金              | 1   |
| 13     |      | B8112-220-000 | OIL SEAL                      | 油抜きオイルシール          | 1   |
| 14     |      | 400-25300     | OIL POT                       | 油びん                | 1   |
| 15     |      | SM-3031401-SE | SCREW M3X0.5 L=14             | 丸小ねじ M3 X 0.5 L=14 | 4   |
| 16     |      | NM-6030001-SC | NUT M3                        | 六角ナット M3 X 0.5 1種  | 4   |
| 17     |      | 107-48101     | OIL REMOVING SETSCREW PACKING | 油抜き止めねじパッキン        | 8   |
| 18     |      | WP-0320501-SC | WASHER M3                     | 平座金 3.2 X 7 X 0.5  | 4   |
| 19     |      | 107-43656     | BELT COVER,LEFT               | ベルトカバー (左) ラベル付き   | 1   |
| 20     | #01  | 107-55155     | BELT COVER,LEFT(JE)           | ベルトカバー左 (JE) ラベル付き | 1   |
| 21     |      | SS-5150510-SP | SCREW 15/64-28 L=5            | トラスねじ 15/64-28 L=5 | 3   |
| 22     |      | 400-59694     | BELT COVER                    | ベルトカバー (右)         | 1   |
| 23     | #01  | 400-59695     | BELT COVER                    | ベルトカバー (右) JE 仕様   | 1   |
| 24     |      | SS-7110510-SP | SCREW 11/64-40 L=5            | 丸平ねじ 11/64-40 L=5  | 1   |
| 25     | #01  | 107-55205     | BELT COVER C(JE)              | ベルトカバー C (JE 仕様)   | 1   |
| 26     | #01  | SK-3482500-SC | WOOD SCREW D=4.8 L=25         | 丸木ねじ D=4.8 L=25    | 2   |
|        |      | NOTE(注記)      | #01....FOR JE                 | JE用                |     |

### 23.THREAD STAND COMPONENTS

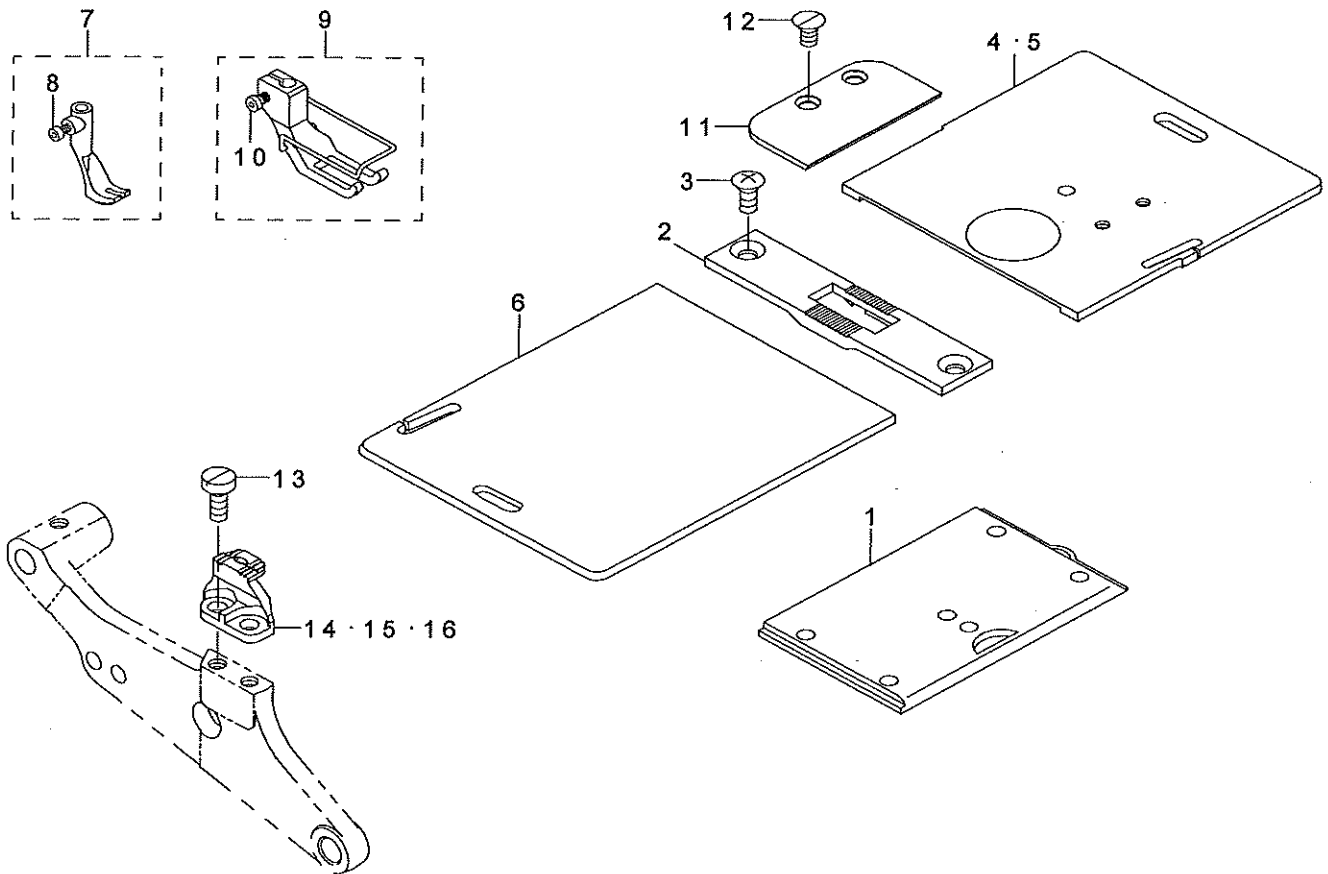
糸立て装置関係



| REF.NO | NOTE | PART NO       | DESCRIPTION               | 品名                     | Qty |
|--------|------|---------------|---------------------------|------------------------|-----|
| 1      |      | 229-30358     | THREAD STAND ASM.         | 糸立て装置 (組)              | 1   |
| 2      |      | 229-31109     | SPOOL RETAINER            | 糸巻き振れ止め                | (2) |
| 3      |      | 229-31000     | SPOOL PIN                 | 糸巻き受け棒                 | (2) |
| 4      |      | 229-30903     | SPOOL REST CUSHION        | 糸巻き受け皿クッション            | (2) |
| 5      |      | 229-30804     | SPOOL REST                | 糸巻き受け皿                 | (2) |
| 6      |      | SM-6061610-SC | SCREW M6 L=16             | 平小ねじ M6 L=16           | (2) |
| 7      |      | 229-30705     | THREAD GUIDE ARM JOINT    | 糸立て棒締め金具               | (2) |
| 8      |      | 229-31406     | SPOOL REST ROD RUBBER CAP | 糸立て棒保護ゴム               | (1) |
| 9      |      | 229-30507     | SPOOL REST ARM            | 糸立て棒腕                  | (1) |
| 10     |      | 229-30408     | SPOOL REST ROD, UPPER     | 糸立て棒 (上)               | (1) |
| 11     |      | 229-31307     | SPOOL REST ROD JOINT      | 糸立て棒継手                 | (1) |
| 12     |      | SM-4051405-SE | SCREW M5 L=14             | なべ小ねじ M5 L=14          | (2) |
| 13     |      | NM-6050001-SE | NUT M5                    | 六角ナット M5               | (2) |
| 14     |      | 229-30309     | SPOOL REST ROD, LOWER     | 糸立て棒 (下)               | (1) |
| 15     |      | 229-30556     | THREAD STANDING ARM ASM.  | 糸立て棒 (組)               | (1) |
| 16     |      | WS-0510002-KN | SPRING WASHER             | ばね座金 5.1 X 9.2 X 1.3   | (2) |
| 17     |      | NM-6050001-SE | NUT M5                    | 六角ナット M5               | (2) |
| 18     |      | NM-6160511-SE | NUT M16X1.5               | 六角ナット M16 X 1.5 1種     | (1) |
| 19     |      | WP-1612616-SE | WASHER 16X30X2.6          | 平座金                    | (2) |
| 20     |      | WS-1643202-KR | SPRING WASHER             | ばね座金 16.4 X 26.6 X 3.2 | (1) |

## 24. GAUGE COMPONENTS

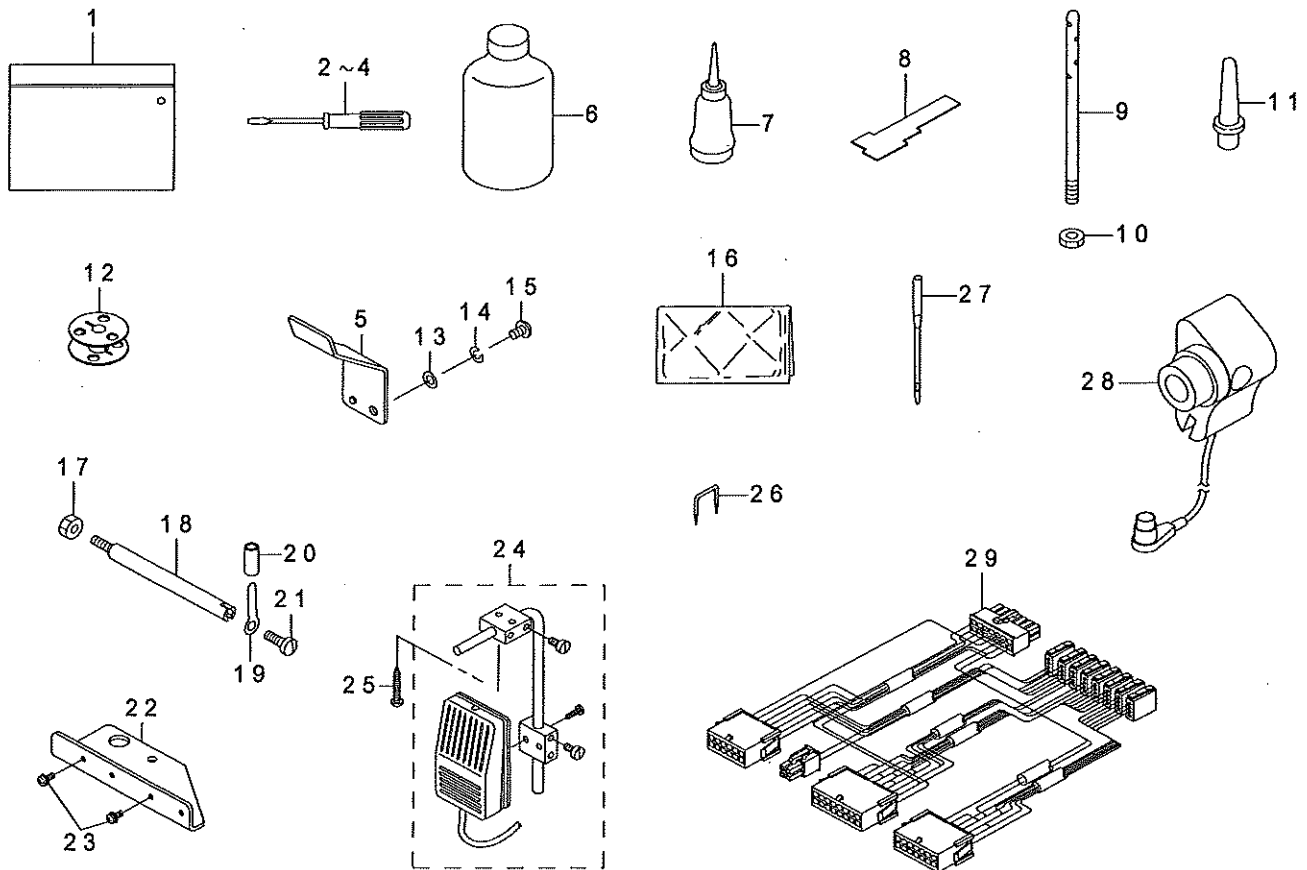
ゲージ関係



| REF.NO | NOTE | PART NO       | DESCRIPTION                            | 品名                  | Qty |
|--------|------|---------------|----------------------------------------|---------------------|-----|
| 1      |      | 107-01654     | SLIDE PLATE ASM.                       | 滑り板組                | 1   |
| 2      |      | 400-58071     | THROAT_PLATE                           | 針板                  | 1   |
| 3      |      | SS-2110915-SP | SCREW 11/64-40 L=8.5                   | 丸皿ねじ 11/64-40 L=8.5 | 2   |
| 4      |      | 107-53150     | SLIDER PLATE ASM., RIGHT               | 糸切り滑り板 (右) 窓付き組     | 1   |
| 5      | #02  | 107-01803     | SLIDE PLATE ,RIGHT                     | 糸切り滑り板 (右)          | 1   |
| 6      |      | 107-01902     | SLIDE PLATE ,LEFT                      | 糸切り滑り板 (左)          | 1   |
| 7      |      | 107-11653     | FEED FOOT ASM.                         | 送り足 (組)             | 1   |
| 8      |      | SM-6040552-TP | SCREW M4 L=4.5                         | 六角穴ボルト M4 L=4.5     | (1) |
| 9      |      | 107-12552     | PRESSER FOOT ASM.                      | 押え足組                | 1   |
| 10     |      | SM-6040802-TP | SCREW M4X0.7 L=8                       | 六角穴ボルト              | (1) |
| 11     |      | 400-58049     | AUXILIARY_COVER                        | 補助カバー               | 1   |
| 12     |      | SM-1040750-TP | SCREW M4 L=7                           | 皿小ねじ M4 L=7         | 2   |
| 13     |      | SS-6111010-TP | SCREW 11/64-40 L=9.5                   | 平ねじ 11/64-40 L=9.5  | 2   |
| 14     | #01  | 400-64353     | FEED_DOG                               | 送り歯 (細糸用)           | 1   |
| 15     |      | 400-58070     | FEED_DOG                               | 送り歯                 | 1   |
| 16     | #01  | 400-62827     | FEED_DOG                               | 送り歯 (太糸用)           | 1   |
|        |      | NOTE(注記)      | #01....OPTIONAL PARTS<br>#02....FOR JE | オプション部品<br>JE用      |     |

## 25.ACCESSORIES PARTS COMPONENTS

付属品関係


















| REF.NO | NOTE | PART NO       | DESCRIPTION                                       | 品名                       | Qty  |
|--------|------|---------------|---------------------------------------------------|--------------------------|------|
| 1      |      | B9101-552-000 | ACCESSORY BOX                                     | 付属品箱                     | 1    |
| 2      | #01  | 229-33006     | SCREW DRIVER,LARGE                                | ドライバー (大)                | 1    |
| 3      |      | B9110-012-000 | SCREW DRIVER, MIDDLE                              | ドライバー (中)                | 1    |
| 4      |      | B9111-012-000 | SCREW DRIVER, SMALL                               | ドライバー (小)                | 1    |
| 5      |      | 400-52256     | PANEL THREAD GUIDE                                | パネル糸案内                   | 1    |
| 6      |      | MDF-RX1600C0  | DEFRIX OIL NO.1(600CC)                            | デフレックスオイル NO. 1 (600 CC) | 1    |
| 7      |      | B9121-012-0A0 | OILER ASM.                                        | 油差し組                     | 1    |
| 8      |      | 400-63937     | ADJUST_GAGE                                       | 調節用ゲージ                   | 1    |
| 9      |      | 400-52262     | THREAD GUIDE PIN                                  | 糸案内棒                     | 1    |
| 10     |      | NS-6620310-SP | NUT 3/16-32                                       | 六角ナット 3/16-32            | 1    |
| 11     |      | 110-73103     | RUBBER CUSHION                                    | 頭部支え棒                    | 1    |
| 12     | ★    | 107-59603     | ALUMINUM BOBBIN (DOUBLE-CUT)                      | アルミボビン (ローレット付き)         | 1    |
| 13     |      | SM-4040601-SC | SCREW M4X0.7 L=6                                  | なべ小ねじ M4 X 0.7 L=6       | 1    |
| 14     |      | WP-0430800-SC | WASHER M4                                         | 平座金小形丸 M4                | 1    |
| 15     |      | WS-0410002-KN | SPRING WASHER                                     | ばね座金 M4                  | 1    |
| 16     |      | 229-33303     | HEAD COVER                                        | 頭部カバー                    | 1    |
| 17     |      | NS-6150430-SP | NUT 15/64-28                                      | 六角ナット 15/64-28           | 1    |
| 18     |      | D7101-245-E00 | SYNCHRONIZER HOLDER STUD                          | 検出器支え軸                   | 1    |
| 19     |      | D7102-245-E00 | SYNCHRONIZER HOLDER PLATE                         | 検出器支え板                   | 1    |
| 20     |      | BT-0630520-Z0 | HOLDER COVER                                      | 絶縁チューブ                   | 0.02 |
| 21     |      | SS-7110710-SP | SCREW 11/64-40 L=7                                | 丸平ねじ 11/64-40 L=7        | 1    |
| 22     |      | 107-74701     | PANEL FIXED SUPPORT PLATE                         | パネル取付け補助板                | 1    |
| 23     |      | SL-4041081-SC | SCREW M4 L=10                                     | 座金付きなべ小ねじ M4 L=10        | 2    |
| 24     | #02  | 400-25036     | KNEE SWITCH ASM.                                  | 押え上げ膝スイッチ (組)            | 1    |
| 25     | #02  | SK-3514000-SC | WOOD SCREW D=5.1 L=40                             | 丸木ねじ D=5.1 L=40          | 2    |
| 26     | #02  | MA-0115320-00 | STAPLE                                            | ステップル                    | 2    |
| 27     |      | MC-3210014-02 | NEEDLE 134-35 #140-2                              | 針 134-35 #140-2          | 1    |
| 28     |      | 400-26920     | SYNCHRONIZER ASM                                  | シンクロ組                    | 1    |
| 29     |      | 400-64512     | RELAY CORD F ASM.                                 | 中継コード F (組)              | 1    |
|        |      | NOTE(注記)      | #01....EXCEPT JA<br>#02....FOR DLKNEE SWITCH TYPE | JA 向けは除く<br>DL 膝スイッチ仕様用  |      |



26. TABLE OF EXCHANGING GAUGE PARTS (1)

交換ゲージ部品一覧表 (1)

| Walking foot<br>上送り足                                                               |  |           |         |                                                                                          |  |           |  |           |  |           |  |           |  |           |  |           |  |  |  |  |
|------------------------------------------------------------------------------------|-----------------------------------------------------------------------------------|-----------|------------------------------------------------------------------------------------------|------------------------------------------------------------------------------------------|-----------------------------------------------------------------------------------|-----------|-----------------------------------------------------------------------------------|-----------|-----------------------------------------------------------------------------------|-----------|-------------------------------------------------------------------------------------|-----------|-------------------------------------------------------------------------------------|-----------|-------------------------------------------------------------------------------------|-----------|--|--|--|--|
|                                                                                    | Ref. No.                                                                          | Part No.  | Ref. No.                                                                                 | Part No.                                                                                 | Ref. No.                                                                          | Part No.  | Ref. No.                                                                          | Part No.  | Ref. No.                                                                          | Part No.  | Ref. No.                                                                            | Part No.  | Ref. No.                                                                            | Part No.  | Ref. No.                                                                            | Part No.  |  |  |  |  |
| Presser foot<br>押足                                                                 | 1                                                                                 | 107-11853 | 2                                                                                        | 107-11752                                                                                | 3                                                                                 | 107-11851 | 4                                                                                 | 107-11950 | 5                                                                                 | 107-46354 | 9                                                                                   | 107-46352 | 13                                                                                  | 107-12354 | 14                                                                                  | 107-12057 |  |  |  |  |
|                                                                                    |                                                                                   |           |                                                                                          |                                                                                          |                                                                                   |           |                                                                                   |           | 6                                                                                 | 107-46463 | 10                                                                                  | 107-46451 |                                                                                     |           |                                                                                     |           |  |  |  |  |
|                                                                                    |                                                                                   |           |                                                                                          |                                                                                          |                                                                                   |           |                                                                                   |           | 7                                                                                 | 107-46552 | 11                                                                                  | 107-46550 |                                                                                     |           |                                                                                     |           |  |  |  |  |
|                                                                                    |                                                                                   |           |                                                                                          |                                                                                          |                                                                                   |           |                                                                                   |           | 8                                                                                 | 107-46651 | 12                                                                                  | 107-46659 |                                                                                     |           |                                                                                     |           |  |  |  |  |
|                                                                                    | Ref. No.                                                                          | Part No.  |                                                                                          |                                                                                          |                                                                                   |           |                                                                                   |           |                                                                                   |           |                                                                                     |           |                                                                                     |           |                                                                                     |           |  |  |  |  |
|   | 15                                                                                | 107-12552 | Standard<br>標準                                                                           |                                                                                          |                                                                                   |           |                                                                                   |           |                                                                                   |           |                                                                                     |           |                                                                                     |           |                                                                                     |           |  |  |  |  |
|   | 16                                                                                | 107-58459 | * 02                                                                                     |                                                                                          |                                                                                   |           |                                                                                   |           |                                                                                   |           |                                                                                     |           |                                                                                     |           |                                                                                     |           |  |  |  |  |
|   | 17                                                                                | 107-12651 |  * 03   |                                                                                          |                                                                                   |           |                                                                                   |           |                                                                                   |           |                                                                                     |           |                                                                                     |           |                                                                                     |           |  |  |  |  |
|  | 18                                                                                | 107-12750 |  * 04 |  * 05 |                                                                                   |           |                                                                                   |           |                                                                                   |           |                                                                                     |           |                                                                                     |           |                                                                                     |           |  |  |  |  |

\* 01... With out groove

溝無しタイプ

To be used when the thread cannot be grasped at the sewing start.

縫い始めに糸が絡みにくい時に使用

\* 02... For overlapped sections of material.

段部用

Common type for overlapped sections and flat sections,

Intermediate type between 10712552 and 10712651.

段部用・平部でも使用できる両用タイプ、10712552と10712651の中間タイプ

\* 03... For overlapped sections of material.

段部用

To be used when overlapped sections cannot be smoothly fed.

段部での乗り越えが悪い時に使用

\* 04... For light-weight sponge.

薄いスポンジ用

To be used for resilient materials such as sponge.

スポンジ等の弾力性の有る素材に使用

\* 05... For heavy-weight sponge.

厚いスポンジ用

















To be used for further resilient materials.

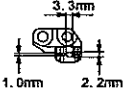
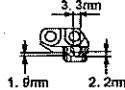
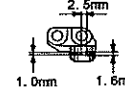
より弾力性の有る素材に使用

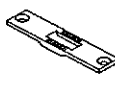
| REF.NO | NOTE | PART NO   | DESCRIPTION                    | 品 名                 | Qty |
|--------|------|-----------|--------------------------------|---------------------|-----|
| 1      |      | 107-11653 | FEED FOOT ASM.                 | 送り足 (組)             | 1   |
| 2      |      | 107-11752 | FEEDING FOOT (URETHANE)        | 送り足ウレタン用 (組)        | 1   |
| 3      |      | 107-11851 | FEEDING FOOT ASM. RIGHT        | 送り足右片押え用 (組)        | 1   |
| 4      |      | 107-11950 | FEEDING FOOT ASM.,LEFT         | 送り足左片押え用 (組)        | 1   |
| 5      |      | 107-45354 | FEEDING FOOT (PIPING) 3MM      | 送り足パイピング用 3ミリ (組)   | 1   |
| 6      |      | 107-45453 | FEEDING FOOT (PIPING) 4MM      | 送り足パイピング用 4ミリ (組)   | 1   |
| 7      |      | 107-45552 | FEEDING FOOT (PIPING) 5MM      | 送り足パイピング用 5ミリ (組)   | 1   |
| 8      |      | 107-45651 | FEEDING FOOT (PIPING) 6MM      | 送り足パイピング用 6ミリ (組)   | 1   |
| 9      |      | 107-46352 | FEEDING FOOT (PIPING) 3MM ADJU | 送り足可変パイピング用 3ミリ (組) | 1   |
| 10     |      | 107-46451 | FEEDING FOOT (PIPING) 4MM ADJU | 送り足可変パイピング用 4ミリ (組) | 1   |
| 11     |      | 107-46550 | FEEDING FOOT (PIPING) 5MM ADJU | 送り足可変パイピング用 5ミリ (組) | 1   |
| 12     |      | 107-46659 | FEEDING FOOT (PIPING) 6MM ADJU | 送り足可変パイピング用 6ミリ (組) | 1   |
| 13     |      | 107-12354 | FEED FOOT ASM.                 | 送り足 (溝無し) 組         | 1   |
| 14     |      | 107-12057 | FEED FOOT ASM.                 | 送り足 (幅広) 組          | 1   |
| 15     |      | 107-12552 | PRESSER FOOT ASM.              | 送り足 (組)             | 1   |
| 16     |      | 107-58456 | PRESSER FOOT ASM.              | 送り足 (押え面積小) 組       | 1   |
| 17     |      | 107-12651 | PRESSER FOOT ASM               | 送り足段部用 (組)          | 1   |
| 18     |      | 107-12750 | PRESSER FOOT, URETHANE         | 送り足ウレタン用 (組)        | 1   |


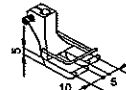
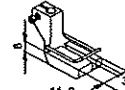
## 27. TABLE OF EXCHANGING GAUGE PARTS (2)


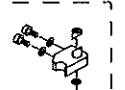
### 交換ゲージ部品一覧表 (2)

| Walking foot<br>上送り足                                                             |                      |                                                  |  |  |  |  |  |  |  |  |                          |                 |   |
|----------------------------------------------------------------------------------|----------------------|--------------------------------------------------|-----------------------------------------------------------------------------------|-----------------------------------------------------------------------------------|-----------------------------------------------------------------------------------|-----------------------------------------------------------------------------------|-----------------------------------------------------------------------------------|-------------------------------------------------------------------------------------|-------------------------------------------------------------------------------------|-------------------------------------------------------------------------------------|--------------------------|-----------------|---|
| Presser foot<br>押え足                                                              | Ref. No. Part No.    |                                                  | Ref. No. Part No.                                                                 | Ref. No. Part No.                                                                 | Ref. No. Part No.                                                                 | Ref. No. Part No.                                                                 | Ref. No. Part No.                                                                 | Ref. No. Part No.                                                                   | Ref. No. Part No.                                                                   | Ref. No. Part No.                                                                   |                          |                 |   |
|                                                                                  | 1                    | 107-11653                                        | 2                                                                                 | 107-11752                                                                         | 3                                                                                 | 107-11861                                                                         | 4                                                                                 | 107-11960                                                                           | 6<br>107-45354<br>7<br>107-45552<br>8<br>107-45651                                  | 9<br>107-46352<br>10<br>107-46451<br>11<br>107-46550<br>12<br>107-46659             | 13<br>107-12354<br>*01   | 14<br>107-12057 |   |
|  | 15                   | 107-12858                                        | —                                                                                 | —                                                                                 |  | *02                                                                               | —                                                                                 | —                                                                                   | —                                                                                   | —                                                                                   | —                        | —               |   |
|  | 16                   | 107-12958                                        | —                                                                                 | —                                                                                 | —                                                                                 | —                                                                                 |  | *03                                                                                 | —                                                                                   | —                                                                                   | —                        | —               |   |
|  | 17<br>18<br>19<br>20 | 107-47350<br>107-47459<br>107-47558<br>107-47657 | —                                                                                 | —                                                                                 | —                                                                                 | —                                                                                 | —                                                                                 |    | *04                                                                                 |  | Adjustable<br>調整式<br>*05 | —               | — |
|  | 21                   | 107-13055                                        | —                                                                                 | —                                                                                 | —                                                                                 | —                                                                                 | —                                                                                 | —                                                                                   | —                                                                                   | —                                                                                   | —                        | *06             |   |

| Feed dog<br>送り足                                                                   |                                                                                   |                                                                                   |  |
|-----------------------------------------------------------------------------------|-----------------------------------------------------------------------------------|-----------------------------------------------------------------------------------|--|
|  |  |  |  |
| Standard<br>標準                                                                    | For bold thread<br>太糸用                                                            | For fine thread<br>細糸用                                                            |  |
| Ref. No. 22                                                                       | Ref. No. 23                                                                       | Ref. No. 24                                                                       |  |
| Part No. 400-58070                                                                | Part No. 400-62827                                                                | Part No. 400-64353                                                                |  |

| Throat plate<br>針板                                                                |  |
|-----------------------------------------------------------------------------------|--|
|  |  |
| Standard<br>標準                                                                    |  |
| Ref. No. 25                                                                       |  |
| Part No. 400-56071                                                                |  |

| For machining<br>加工用                                                                |                                                                                     |                                                                                     |  |
|-------------------------------------------------------------------------------------|-------------------------------------------------------------------------------------|-------------------------------------------------------------------------------------|--|
|  |  |  |  |
| To be machined to a walking foot.<br>送り足加工                                          | Type B to be machined to a walking foot.<br>送り足加工用                                  | Type A to be machined to a walking foot.<br>送り足加工用                                  |  |
| Ref. No. 26                                                                         | Ref. No. 27                                                                         | Ref. No. 28                                                                         |  |
| Part No. 107-12255                                                                  | Part No. 107-48358                                                                  | Part No. 107-13253                                                                  |  |

| Swing edge guide<br>吊り定規                                                            |                                                                                       |
|-------------------------------------------------------------------------------------|---------------------------------------------------------------------------------------|
|  |  |
| 29                                                                                  | 30                                                                                    |
| MAH-152D10A0                                                                        | 107-35858                                                                             |

- \*01... Without groove.  
溝無しタイプ  
To be used when the thread cannot be grasped at the sewing start.  
縫い始めに糸が絡みにくい時に使用
- \*02... Right-edge presser.  
右片押え  
To be used to sew edges of material.  
エッジを縫製する場合に使用
- \*03... Left-edge presser.  
左片押え  
To be used to sew edges of material.  
エッジを縫製する場合に使用
- \*04... For piping.  
パイピング用  
To be used for general piping processes.  
一般のパイピング工程に使用
- \*05... For piping.  
パイピング用  
Permits adjustment of the needle position with respect to the pipe.  
パイプに対する針の位置が調整出来ます。
- \*06... Wide type.  
幅広タイプ  
To be used when a sewing product cannot be smoothly fed.  
縫製物の送りが悪い場合に使用

| REF.NO | NOTE | PART NO      | DESCRIPTION                    | 品 名                 | Qty |
|--------|------|--------------|--------------------------------|---------------------|-----|
| 1      |      | 107-11653    | FEED FOOT ASM.                 | 押え足 (組)             | 1   |
| 2      |      | 107-11752    | FEEDING FOOT (URETHANE)        | 送り足ウレタン用 (組)        | 1   |
| 3      |      | 107-11851    | FEEDING FOOT ASM. RIGHT        | 送り足右片押え用 (組)        | 1   |
| 4      |      | 107-11950    | FEEDING FOOT ASM.,LEFT         | 送り足左片押え用 (組)        | 1   |
| 5      |      | 107-45354    | FEEDING FOOT (PIPING) 3MM      | 送り足パイピング用 3ミリ (組)   | 1   |
| 6      |      | 107-45453    | FEEDING FOOT (PIPING) 4MM      | 送り足パイピング用 4ミリ (組)   | 1   |
| 7      |      | 107-45552    | FEEDING FOOT (PIPING) 5MM      | 送り足パイピング用 5ミリ (組)   | 1   |
| 8      |      | 107-45651    | FEEDING FOOT (PIPING) 6MM      | 送り足パイピング用 6ミリ (組)   | 1   |
| 9      |      | 107-46352    | FEEDING FOOT (PIPING) 3MM ADJU | 送り足可変パイピング用 3ミリ (組) | 1   |
| 10     |      | 107-46451    | FEEDING FOOT (PIPING) 4MM ADJU | 送り足可変パイピング用 4ミリ (組) | 1   |
| 11     |      | 107-46550    | FEEDING FOOT (PIPING) 5MM ADJU | 送り足可変パイピング用 5ミリ (組) | 1   |
| 12     |      | 107-46659    | FEEDING FOOT (PIPING) 6MM ADJU | 送り足可変パイピング用 6ミリ (組) | 1   |
| 13     |      | 107-12354    | FEED FOOT ASM.                 | 送り足 (溝無し) 組         | 1   |
| 14     |      | 107-12057    | FEED FOOT ASM.                 | 送り足 (幅広組)           | 1   |
| 15     |      | 107-12859    | FEEDING FOOT, RIGHT            | 押え足右片押え用 (組)        | 1   |
| 16     |      | 107-12958    | PRESSER FOOT,LEFT              | 押え足左片押え用 (組)        | 1   |
| 17     |      | 107-47350    | PRESSER FOOT (PIPING) 3MM      | 押え足 3ミリパイピング用       | 1   |
| 18     |      | 107-47459    | PRESSER FOOT (PIPING) 4MM      | 押え足 4ミリパイピング用       | 1   |
| 19     |      | 107-47558    | PRESSER FOOT (PIPING) 5MM      | 押え足 5ミリパイピング用       | 1   |
| 20     |      | 107-47657    | PIPING FOOT 6MM                | 押え足 6ミリパイピング用       | 1   |
| 21     |      | 107-13055    | FEED FOOT ASM.                 | 押え足 (幅広組)           | 1   |
| 22     |      | 400-58070    | FEED_DOG                       | 送り歯                 | 1   |
| 23     |      | 400-62827    | FEED_DOG                       | 送り歯 (太糸用)           | 1   |
| 24     |      | 400-64353    | FEED_DOG                       | 送り歯 (細糸用)           | 1   |
| 25     |      | 400-58071    | THROAT_PLATE                   | 針板                  | 1   |
| 26     |      | 107-12255    | FEED FOOT ASM.                 | 送り足 (加工用 A) 組       | 1   |
| 27     |      | 107-48358    | PRESSER FOOT ASM.              | 押え足 (加工用 B) 組       | 1   |
| 28     |      | 107-13253    | PRESSER FOOT ASM.              | 押え足 (加工用 A) 組       | 1   |
| 29     |      | MAH-152010A0 | RULER                          | 吊り定規 (組)            | 1   |
| 30     |      | 107-35868    | FIXING BASE ASM.               | 吊り定規取付台 (組)         | 1   |

NUMERICAL INDEX OF PARTS

索引

| PART NO<br>品番 | PAGE<br>頁 | REF<br>NO | PART NO<br>品番   | PAGE<br>頁 | REF<br>NO | PART NO<br>品番 | PAGE<br>頁 | REF<br>NO | PART NO<br>品番 | PAGE<br>頁 | REF<br>NO |
|---------------|-----------|-----------|-----------------|-----------|-----------|---------------|-----------|-----------|---------------|-----------|-----------|
| BP-600000-00  | 23        | 15        | CQ-2020000-00   | 8         | 60        | NM-6030001-SC | 33        | 16        | SB-1150009-00 | 18        | 12        |
| BT-0200121-EB | 32        | 17        | CQ-2020000-00   | 8         | 61        | NM-6040001-SD | 16        | 18        | SD-0470281-SP | 21        | 19        |
| BT-0400251-EA | 30        | 55        | CQ-2020000-00   | 8         | 72        | NM-6040001-SN | 4         | 44        | SD-0550212-TP | 26        | 23        |
| BT-0400251-EB | 14        | 23        | CQ-2020000-00   | 12        | 40        | NM-6040003-SC | 21        | 23        | SD-0640322-TP | 4         | 62        |
| BT-0400251-EB | 14        | 26        | CQ-2020000-00   | 12        | 41        | NM-6050001-SE | 34        | 13        | SD-0700332-SP | 23        | 20        |
| BT-0400251-EB | 32        | 16        | CQ-2020000-00   | 12        | 42        | NM-6050001-SE | 34        | 17        | SD-0720331-SP | 24        | 36        |
| BT-0500300-E0 | 30        | 5         | CQ-2020000-00   | 30        | 56        | NM-6050001-SP | 14        | 7         | SD-0790203-SP | 24        | 2         |
| BT-0500300-E0 | 30        | 13        | CQ-2020000-00   | 30        | 67        | NM-6060001-SD | 14        | 8         | SD-0791271-SP | 25        | 12        |
| BT-0500300-E0 | 30        | 15        | CQ-2520000-00   | 8         | 71        | NM-6060001-SE | 25        | 15        | SD-0791271-SP | 28        | 13        |
| BT-0500300-E0 | 30        | 27        | CQ-2520000-00   | 8         | 73        | NM-6080001-SE | 24        | 37        | SD-0800346-TP | 28        | 1         |
| BT-0500300-E0 | 30        | 40        | CQ-2520000-00   | 8         | 74        | NM-6080001-SE | 28        | 16        | SD-0800352-SP | 25        | 25        |
| BT-0500300-E0 | 30        | 46        | CQ-2520000-00   | 8         | 75        | NM-6160511-SE | 34        | 18        | SD-0800352-SP | 25        | 26        |
| BT-0500300-E0 | 30        | 69        | CQ-2520000-00   | 8         | 76        | NS-6110310-SP | 21        | 18        | SD-0800352-SP | 28        | 3         |
| BT-0500300-E0 | 30        | 70        | CQ-2520000-00   | 8         | 77        | NS-6110310-SP | 22        | 31        | SD-0800402-TP | 28        | 10        |
| BT-0600401-EB | 26        | 14        | CQ-2520000-00   | 30        | 48        | NS-6110360-SP | 22        | 12        | SD-0800426-TP | 14        | 12        |
| BT-0600401-EB | 32        | 10        | CS-0800816-SH   | 16        | 8         | NS-6150430-SP | 23        | 16        | SD-0901201-TP | 24        | 8         |
| BT-0600401-EB | 32        | 11        | CS-1201011-SH   | 10        | 22        | NS-6150430-SP | 25        | 13        | SK-3241601-SC | 33        | 10        |
| BT-0600401-EB | 32        | 12        | CS-1201011-SH   | 24        | 25        | NS-6150430-SP | 28        | 11        | SK-3415001-SE | 32        | 29        |
| BT-0600401-EB | 32        | 13        | CS-1501011-TH   | 8         | 2         | NS-6150430-SP | 28        | 14        | SK-3482500-SC | 33        | 26        |
| BT-0600401-EB | 32        | 14        | CS-1501011-TH   | 8         | 46        | NS-6150430-SP | 36        | 17        | SK-3482501-SE | 32        | 37        |
| BT-0600401-EB | 32        | 15        | CS-1501011-TH   | 12        | 37        | NS-6150540-SP | 25        | 3         | SK-3514000-SC | 36        | 25        |
| BT-0600401-EB | 32        | 32        |                 |           |           | NS-6150540-SP | 28        | 4         | SL-4041081-SC | 36        | 23        |
| BT-0600402-EA | 10        | 21        | D2430-555-B00   | 22        | 15        | NS-6620310-SP | 36        | 10        | SM-1030601-SC | 20        | 7         |
| BT-0600402-EA | 30        | 3         | D2611-555-B00-A | 30        | 52        |               |           |           | SM-1030601-SC | 20        | 9         |
| BT-0600402-EA | 30        | 24        | D3168-555-H0B   | 21        | 15        | PA-0800401-A0 | 20        | 3         | SM-1040750-TP | 35        | 12        |
| BT-0600402-EA | 30        | 47        | D3168-555-H0B   | 22        | 33        | PA-2001507-A0 | 14        | 2         | SM-1040801-SC | 6         | 21        |
| BT-0600402-EA | 30        | 53        | D7101-245-E00   | 36        | 18        | PA-2502006-00 | 26        | 1         | SM-3030650-SC | 4         | 21        |
| BT-0630520-Z0 | 36        | 20        | D7102-245-E00   | 36        | 19        | PA-3201004-00 | 25        | 18        | SM-3031401-SE | 33        | 15        |
| BT-0800602-E0 | 30        | 17        | EA-9500B00-00   | 30        | 21        | PA-3202002-00 | 28        | 19        | SM-4030601-SC | 18        | 31        |
| BT-0800602-E0 | 30        | 22        | EA-9500B00-00   | 30        | 80        | PA-4002003-00 | 24        | 32        | SM-4040601-SC | 30        | 63        |
| BT-0800602-E0 | 30        | 72        | EA-9500B00-00   | 30        | 80        | PC-015118E-00 | 25        | 20        | SM-4040601-SC | 36        | 13        |
| B1111-563-000 | 2         | 30        | EA-9500B01-00   | 30        | 54        | PC-015118H-00 | 25        | 1         | SM-4051405-SE | 34        | 12        |
| B1114-280-000 | 10        | 39        | EA-9500B02-00   | 25        | 27        | PF-0552170-A0 | 32        | 31        | SM-4061001-SB | 32        | 36        |
| B1148-141-H00 | 10        | 32        | EA-9500B02-00   | 30        | 76        | PJ-3010651-04 | 24        | 33        | SM-6020452-TP | 20        | 12        |
| B1148-141-H00 | 10        | 52        |                 |           |           | PJ-3030400-06 | 32        | 28        | SM-6021000-TP | 30        | 37        |
| B1150-490-000 | 2         | 32        | GAK-A1503000    | 32        | 8         | PJ-3040203-02 | 20        | 22        | SM-6030800-SP | 16        | 2         |
| B1215-804-000 | 18        | 8         | GAK-A1503000    | 32        | 9         | PJ-3040405-04 | 14        | 15        | SM-6030802-TP | 14        | 21        |
| B1308-055-000 | 4         | 58        | GAK-29009000    | 32        | 35        | PJ-3040605-01 | 26        | 2         | SM-6040502-TP | 14        | 14        |
| B1309-055-000 | 4         | 60        | GAK-29010000    | 32        | 4         | PJ-3040651-02 | 28        | 21        | SM-6040552-TP | 35        | 8         |
| B1310-055-000 | 4         | 59        | GAK-29011000    | 32        | 34        | PS-0200102-KH | 22        | 17        | SM-6040802-TP | 14        | 11        |
| B1314-055-000 | 4         | 61        |                 |           |           | PS-0300082-KH | 23        | 7         | SM-6040802-TP | 14        | 19        |
| B1504-210-000 | 26        | 13        | HK-0346101-00   | 32        | 5         | PS-0400322-KP | 10        | 17        | SM-6040802-TP | 16        | 38        |
| B1526-527-00G | 8         | 58        | HK-0346101-20   | 28        | 28        | PS-0500302-KH | 24        | 28        | SM-6040802-TP | 18        | 37        |
| B1648-122-000 | 30        | 57        | HK-0346400-0A   | 32        | 7         | PX-0151010-00 | 28        | 22        | SM-6040802-TP | 35        | 10        |
| B3031-141-H00 | 26        | 10        | HK-0346400-0B   | 24        | 6         | PX-0505010-00 | 26        | 3         | SM-6041012-TP | 6         | 17        |
| B3126-352-000 | 21        | 12        | HX-0012300-0A   | 14        | 20        |               |           |           | SM-6041202-TP | 16        | 28        |
| B3129-012-A00 | 21        | 10        | HX-0015000-0J   | 2         | 35        | RC-0560711-KP | 8         | 22        | SM-6041802-TP | 16        | 40        |
| B3138-512-000 | 2         | 24        | HX-0029500-0A   | 28        | 18        | RC-0650811-KP | 12        | 13        | SM-6044500-SP | 26        | 4         |
| B3205-210-000 | 22        | 7         | HX-0029500-0A   | 32        | 19        | RC-0650811-KP | 28        | 9         | SM-6050802-TP | 26        | 12        |
| B3207-210-000 | 22        | 16        | HX-0029500-0B   | 14        | 16        | RC-0740811-KP | 8         | 67        | SM-6050802-TP | 30        | 51        |
| B3208-210-000 | 22        | 18        | HX-0029500-0B   | 14        | 24        | RC-0740811-KP | 25        | 8         | SM-6051002-TP | 8         | 43        |
| B3211-210-000 | 22        | 10        | HX-0029500-0B   | 32        | 20        | RC-1200001-KP | 23        | 3         | SM-6051402-TP | 8         | 55        |
| B3214-047-000 | 22        | 34        | HX-0029500-0C   | 14        | 17        | RC-1200001-KP | 24        | 9         | SM-6051402-TP | 10        | 30        |
| B3216-047-000 | 21        | 14        | HX-0029500-0C   | 14        | 25        | RE-0320000-K0 | 26        | 9         | SM-6051402-TP | 16        | 12        |
| B3216-047-000 | 22        | 32        | HX-0029500-0C   | 32        | 21        | RE-0400000-K0 | 8         | 13        | SM-6051402-TP | 16        | 21        |
| B3416-552-000 | 8         | 63        | HX-0029500-0D   | 20        | 23        | RE-0400000-K0 | 10        | 15        | SM-6051402-TP | 18        | 3         |
| B3510-019-000 | 2         | 45        | HX-0029500-0D   | 32        | 22        | RE-0400000-K0 | 10        | 56        | SM-6051402-TP | 24        | 15        |
| B3520-245-000 | 30        | 16        | HX-0029500-0F   | 24        | 16        | RE-0400000-K0 | 18        | 14        | SM-6051402-TP | 26        | 7         |
| B3521-245-000 | 30        | 14        | HX-0029500-0F   | 32        | 23        | RE-0500000-K0 | 8         | 64        | SM-6061202-TP | 24        | 24        |
| B3525-357-000 | 30        | 42        | HX-0029500-0G   | 24        | 38        | RE-0500000-K0 | 12        | 6         | SM-6061210-SC | 24        | 22        |
| B3534-012-000 | 30        | 43        | HX-0029500-0G   | 32        | 24        | RE-0500000-K0 | 12        | 44        | SM-6061210-SC | 30        | 39        |
| B3538-112-000 | 28        | 24        | HX-0029500-0H   | 26        | 27        | RE-0500000-K0 | 12        | 45        | SM-6061552-TP | 12        | 26        |
| B8112-220-000 | 33        | 13        | HX-0029500-0H   | 32        | 25        | RE-0500000-K0 | 23        | 8         | SM-6061552-TP | 12        | 34        |
| B8213-012-000 | 33        | 7         | HX-0029500-0K   | 25        | 23        | RE-0600000-K0 | 6         | 12        | SM-6061602-TP | 8         | 34        |
| B8228-125-000 | 30        | 9         | HX-0029500-0K   | 32        | 26        | RO-0681901-00 | 30        | 73        | SM-6061602-TP | 14        | 3         |
| B8228-125-000 | 30        | 33        | HX-0029500-0L   | 25        | 24        | RO-0982401-00 | 18        | 32        | SM-6061610-SC | 34        | 6         |
| B9101-552-000 | 36        | 1         | HX-0029500-0L   | 32        | 27        | RO-1182401-00 | 10        | 20        | SM-6061650-TP | 12        | 3         |
| B9110-012-000 | 36        | 3         | HX-0029500-00   | 28        | 17        | RO-1182401-00 | 10        | 55        | SM-6061802-TP | 25        | 19        |
| B9111-012-000 | 36        | 4         | HX-0029500-00   | 32        | 18        | RO-2943101-00 | 4         | 34        | SM-6062002-TP | 16        | 31        |
| B9121-012-0A0 | 36        | 7         |                 |           |           | RO-3122401-00 | 4         | 50        | SM-6062002-TP | 18        | 51        |
|               |           |           | MAH-152010A0    | 40        | 29        | RO-3573501-00 | 18        | 17        | SM-6062502-TP | 10        | 3         |
| CM-3012000-01 | 2         | 23        | MA-0115320-00   | 36        | 26        |               |           |           | SM-6062502-TP | 28        | 20        |
| CQ-2000000-00 | 24        | 12        | MC-3210014-00   | 6         | 8         | SB-1100009-00 | 18        | 9         | SM-6081802-TP | 24        | 34        |
| CQ-2020000-00 | 6         | 23        | MC-3210014-02   | 36        | 27        | SB-1100010-00 | 18        | 10        | SM-6851002-TP | 20        | 4         |
| CQ-2020000-00 | 6         | 24        | MDF-RX1600C0    | 36        | 6         | SB-1150004-00 | 18        | 11        | SM-8030402-TP | 4         | 64        |

NUMERICAL INDEX OF PARTS

索引

| PART NO<br>品番 | PAGE<br>頁 | REF<br>NO | PART NO<br>品番 | PAGE<br>頁 | REF<br>NO | PART NO<br>品番 | PAGE<br>頁 | REF<br>NO | PART NO<br>品番 | PAGE<br>頁 | REF<br>NO |
|---------------|-----------|-----------|---------------|-----------|-----------|---------------|-----------|-----------|---------------|-----------|-----------|
| SM-8030402-TP | 12        | 12        | SS-7090910-TP | 4         | 43        | WP-0651056-SH | 22        | 8         | 107-07750     | 4         | 41        |
| SM-8040412-TP | 16        | 6         | SS-7090910-TP | 24        | 18        | WP-0740516-SP | 12        | 14        | 107-07958     | 4         | 42        |
| SM-8040412-TP | 16        | 10        | SS-7110340-SP | 22        | 27        | WP-0841601-SC | 30        | 75        | 107-08006     | 4         | 45        |
| SM-8040412-TP | 25        | 10        | SS-7110510-SP | 2         | 31        | WP-1221016-SP | 24        | 10        | 107-08105     | 6         | 1         |
| SM-8040502-TP | 4         | 54        | SS-7110510-SP | 2         | 41        | WP-1612616-SE | 34        | 19        | 107-08204     | 6         | 2         |
| SM-8040602-TP | 22        | 2         | SS-7110510-SP | 26        | 8         | WS-0410002-KN | 26        | 15        | 107-08303     | 4         | 18        |
| SM-8040602-TP | 22        | 6         | SS-7110510-SP | 33        | 24        | WS-0410002-KN | 36        | 15        | 107-08469     | 6         | 4         |
| SM-8042012-TP | 16        | 17        | SS-7110710-SP | 36        | 21        | WS-0510002-KN | 34        | 16        | 107-08501     | 6         | 16        |
| SM-8050502-TP | 18        | 29        | SS-7110810-SP | 10        | 12        | WS-1643202-KR | 34        | 20        | 107-08808     | 6         | 5         |
| SM-8050502-TP | 18        | 40        | SS-7110810-SP | 22        | 9         | WT-0530002-KS | 2         | 48        | 107-08907     | 6         | 7         |
| SM-8050502-TP | 18        | 46        | SS-7110910-TP | 2         | 33        |               |           |           | 107-08907     | 8         | 45        |
| SM-8050512-TP | 8         | 40        | SS-7110910-TP | 10        | 27        | 100-88003     | 22        | 30        | 107-08907     | 8         | 68        |
| SM-8050602-TP | 8         | 39        | SS-7110910-TP | 10        | 51        | 101-09809     | 8         | 62        | 107-09004     | 2         | 38        |
| SM-8050602-TP | 8         | 41        | SS-7110910-TP | 26        | 19        | 101-09809     | 18        | 20        | 107-09152     | 6         | 9         |
| SM-8050602-TP | 19        | 9         | SS-7110910-TP | 26        | 21        | 101-11201     | 18        | 13        | 107-09202     | 6         | 11        |
| SM-8050602-TP | 22        | 21        | SS-7110910-TP | 26        | 25        | 101-12506     | 18        | 21        | 107-09350     | 6         | 13        |
| SM-8060552-TP | 12        | 31        | SS-7111810-TP | 6         | 6         | 101-12605     | 18        | 18        | 107-09400     | 6         | 15        |
| SM-8060602-TP | 4         | 9         | SS-7120640-SP | 31        | 1         | 101-12704     | 18        | 19        | 107-09608     | 6         | 18        |
| SM-8060602-TP | 4         | 11        | SS-7120710-SP | 8         | 51        | 101-19907     | 10        | 38        | 107-09608     | 8         | 25        |
| SM-8060602-TP | 4         | 33        | SS-7121610-SP | 2         | 2         | 101-23701     | 30        | 79        | 107-09707     | 8         | 1         |
| SM-8060602-TP | 4         | 55        | SS-7121610-SP | 2         | 11        | 101-24204     | 22        | 35        | 107-09806     | 8         | 4         |
| SM-8060602-TP | 10        | 26        | SS-7121610-SP | 10        | 11        | 101-26803     | 30        | 12        | 107-09905     | 8         | 5         |
| SM-8061212-TP | 4         | 49        | SS-7121610-SP | 10        | 49        | 103-20109     | 21        | 3         | 107-09905     | 8         | 7         |
| SM-8080802-TP | 4         | 7         | SS-7620750-SP | 10        | 4         | 103-20208     | 21        | 5         | 107-10002     | 8         | 9         |
| SM-8080802-TP | 4         | 13        | SS-7621040-SP | 22        | 36        | 105-02300     | 22        | 22        | 107-10101     | 8         | 10        |
| SM-9040603-SP | 16        | 22        | SS-7681750-TP | 4         | 3         | 105-23702     | 4         | 39        | 107-10200     | 8         | 12        |
| SM-9081050-SE | 24        | 30        | SS-8080410-TP | 6         | 3         | 105-27901     | 30        | 66        | 107-10309     | 8         | 14        |
| SM-9081050-SE | 30        | 74        | SS-8080610-SP | 18        | 15        | 105-39906     | 33        | 3         | 107-10408     | 8         | 15        |
| SQ-0000401-MZ | 30        | 41        | SS-8090710-SP | 10        | 50        | 105-39906     | 33        | 6         | 107-10507     | 8         | 18        |
| SQ-1110401-MZ | 4         | 25        | SS-8110422-TP | 12        | 7         | 105-91709     | 4         | 56        | 107-10606     | 8         | 19        |
| SQ-1150451-MZ | 4         | 26        | SS-8110422-TP | 16        | 9         | 107-00508     | 2         | 37        | 107-10705     | 8         | 20        |
| SQ-1150451-MZ | 18        | 33        | SS-8111610-SP | 22        | 26        | 107-00706     | 2         | 9         | 107-10804     | 8         | 8         |
| SQ-1150451-MZ | 18        | 38        | SS-8120740-SP | 4         | 47        | 107-01209     | 2         | 16        | 107-10804     | 8         | 17        |
| SQ-1680701-MZ | 30        | 77        | SS-8120740-SP | 6         | 19        | 107-01308     | 2         | 17        | 107-10903     | 8         | 69        |
| SS-1110840-SP | 18        | 35        | SS-8120740-SP | 8         | 24        | 107-01654     | 35        | 1         | 107-10903     | 12        | 10        |
| SS-2090710-TP | 20        | 24        | SS-8120740-SP | 8         | 66        | 107-01803     | 35        | 5         | 107-10903     | 12        | 27        |
| SS-2110915-SP | 35        | 3         | SS-8120740-SP | 23        | 19        | 107-01902     | 35        | 6         | 107-10903     | 12        | 35        |
| SS-5060310-SP | 20        | 21        | SS-8150750-SP | 30        | 19        | 107-02108     | 30        | 45        | 107-11000     | 8         | 21        |
| SS-5060410-SP | 16        | 36        | SS-8150822-TP | 4         | 15        | 107-02207     | 30        | 65        | 107-11117     | 8         | 23        |
| SS-5090420-SP | 21        | 27        | SS-8660410-SP | 8         | 3         | 107-02405     | 21        | 7         | 107-11406     | 8         | 56        |
| SS-5150510-SP | 33        | 21        | SS-8660410-SP | 8         | 47        | 107-02553     | 21        | 2         | 107-11653     | 35        | 7         |
| SS-6060220-SP | 16        | 26        | SS-8660410-SP | 12        | 38        | 107-02561     | 21        | 1         | 107-11653     | 38        | 1         |
| SS-6080610-TP | 18        | 41        | SS-8660512-TP | 4         | 5         | 107-02603     | 21        | 4         | 107-11653     | 40        | 1         |
| SS-6081210-SP | 30        | 59        | SS-8660610-TP | 10        | 29        | 107-02702     | 21        | 21        | 107-11752     | 38        | 2         |
| SS-6090510-TP | 2         | 21        | SS-8660610-TP | 24        | 26        | 107-02801     | 21        | 22        | 107-11752     | 40        | 2         |
| SS-6090620-TP | 22        | 23        | SS-8660810-TP | 8         | 27        | 107-03106     | 21        | 28        | 107-11851     | 38        | 3         |
| SS-6110480-SP | 2         | 39        | SS-8661012-TP | 12        | 22        | 107-03205     | 21        | 24        | 107-11851     | 40        | 3         |
| SS-6110610-TP | 10        | 6         | SS-8681650-TP | 4         | 4         | 107-03304     | 21        | 17        | 107-11950     | 38        | 4         |
| SS-6110610-TP | 16        | 24        |               |           |           | 107-03452     | 22        | 13        | 107-11950     | 40        | 4         |
| SS-6110630-TP | 8         | 53        | TA-0750704-R0 | 2         | 34        | 107-03502     | 22        | 1         | 107-12057     | 38        | 14        |
| SS-6111010-TP | 35        | 13        | TA-1050504-R0 | 2         | 19        | 107-03601     | 22        | 3         | 107-12057     | 40        | 14        |
| SS-6111140-SP | 2         | 49        | TA-1250406-R0 | 2         | 3         | 107-03700     | 22        | 4         | 107-12255     | 40        | 26        |
| SS-6111140-SP | 18        | 16        | TA-1250504-R0 | 2         | 36        | 107-03809     | 22        | 14        | 107-12354     | 38        | 13        |
| SS-6121010-SP | 2         | 5         | TA-1450404-R0 | 30        | 1         | 107-03908     | 22        | 5         | 107-12354     | 40        | 13        |
| SS-6121010-SP | 2         | 8         | TA-2050406-R0 | 2         | 6         | 107-04005     | 22        | 19        | 107-12552     | 35        | 9         |
| SS-6121010-SP | 2         | 14        | TA-2050406-R0 | 2         | 28        | 107-04104     | 22        | 29        | 107-12552     | 38        | 15        |
| SS-6121010-SP | 2         | 27        |               |           |           | 107-04153     | 22        | 28        | 107-12651     | 38        | 17        |
| SS-6121010-SP | 8         | 49        | WP-0320501-SC | 21        | 25        | 107-04401     | 4         | 1         | 107-12750     | 38        | 18        |
| SS-6121010-SP | 21        | 28        | WP-0320501-SC | 30        | 60        | 107-04500     | 4         | 2         | 107-12859     | 40        | 15        |
| SS-6121010-SP | 24        | 4         | WP-0320501-SC | 33        | 18        | 107-04609     | 2         | 44        | 107-12958     | 40        | 16        |
| SS-6121010-SP | 30        | 26        | WP-0371016-SD | 14        | 22        | 107-04757     | 4         | 6         | 107-13055     | 40        | 21        |
| SS-6121010-SP | 31        | 4         | WP-0371016-SD | 24        | 19        | 107-04807     | 22        | 20        | 107-13253     | 40        | 28        |
| SS-6121050-SP | 8         | 16        | WP-0430800-SC | 36        | 14        | 107-04955     | 4         | 8         | 107-13501     | 8         | 65        |
| SS-6121860-SP | 10        | 28        | WP-0450000-SD | 6         | 22        | 107-04963     | 4         | 10        | 107-13766     | 8         | 26        |
| SS-6123010-SP | 2         | 12        | WP-0450801-SD | 14        | 18        | 107-05002     | 4         | 12        | 107-13808     | 8         | 31        |
| SS-6151412-TP | 12        | 9         | WP-0450846-SP | 26        | 16        | 107-05408     | 4         | 17        | 107-13907     | 8         | 33        |
| SS-6151440-SP | 6         | 14        | WP-0520656-SA | 22        | 25        | 107-05606     | 4         | 28        | 107-14004     | 8         | 35        |
| SS-6151440-SP | 25        | 5         | WP-0531001-SC | 22        | 24        | 107-05606     | 4         | 30        | 107-14103     | 8         | 36        |
| SS-6151440-SP | 25        | 17        | WP-0612056-SD | 14        | 9         | 107-05754     | 4         | 29        | 107-14202     | 8         | 37        |
| SS-6151440-SP | 28        | 6         | WP-0621016-SD | 25        | 22        | 107-06315     | 4         | 53        | 107-14301     | 8         | 44        |
| SS-6152440-SP | 6         | 10        | WP-0621016-SD | 28        | 25        | 107-06703     | 4         | 16        | 107-14400     | 8         | 42        |
| SS-6621220-SP | 4         | 19        | WP-0621016-SH | 18        | 52        | 107-07156     | 4         | 37        | 107-14509     | 8         | 30        |
| SS-7080510-TP | 8         | 6         | WP-0641601-SD | 25        | 21        | 107-07206     | 4         | 46        | 107-14608     | 8         | 32        |
| SS-7080510-TP | 8         | 11        | WP-0641601-SD | 28        | 23        | 107-07305     | 4         | 48        | 107-14806     | 8         | 48        |
| SS-7090520-TP | 2         | 25        | WP-0651056-SH | 18        | 50        | 107-07602     | 4         | 40        | 107-14905     | 8         | 50        |

NUMERICAL INDEX OF PARTS

索引

| PART NO<br>品番 | PAGE<br>頁 | REF<br>NO | PART NO<br>品番 | PAGE<br>頁 | REF<br>NO | PART NO<br>品番 | PAGE<br>頁 | REF<br>NO | PART NO<br>品番 | PAGE<br>頁 | REF<br>NO |
|---------------|-----------|-----------|---------------|-----------|-----------|---------------|-----------|-----------|---------------|-----------|-----------|
| 107-15001     | 8         | 52        | 107-27204     | 30        | 8         | 107-45552     | 40        | 7         | 213-37902     | 25        | 9         |
| 107-15258     | 8         | 54        | 107-27204     | 30        | 32        | 107-45651     | 38        | 8         | 213-79003     | 33        | 12        |
| 107-15506     | 23        | 9         | 107-27303     | 30        | 34        | 107-45651     | 40        | 8         | 214-39500     | 16        | 15        |
| 107-15605     | 23        | 14        | 107-28400     | 19        | 13        | 107-45800     | 2         | 40        | 214-40508     | 16        | 14        |
| 107-15704     | 8         | 57        | 107-28509     | 19        | 8         | 107-45909     | 4         | 20        | 226-03203     | 2         | 20        |
| 107-15902     | 23        | 12        | 107-28608     | 19        | 10        | 107-46352     | 38        | 9         | 226-83403     | 20        | 10        |
| 107-16009     | 23        | 2         | 107-28707     | 19        | 12        | 107-46352     | 40        | 9         | 229-01805     | 2         | 50        |
| 107-16108     | 23        | 17        | 107-28806     | 24        | 7         | 107-46451     | 38        | 10        | 229-07802     | 24        | 17        |
| 107-16207     | 23        | 18        | 107-28905     | 24        | 5         | 107-46451     | 40        | 10        | 229-08909     | 8         | 29        |
| 107-16504     | 8         | 59        | 107-29010     | 24        | 1         | 107-46550     | 38        | 11        | 229-30309     | 34        | 14        |
| 107-16603     | 23        | 21        | 107-29218     | 24        | 3         | 107-46550     | 40        | 11        | 229-30358     | 34        | 1         |
| 107-17007     | 23        | 11        | 107-29606     | 24        | 20        | 107-46659     | 38        | 12        | 229-30408     | 34        | 10        |
| 107-17056     | 23        | 4         | 107-29754     | 24        | 14        | 107-46659     | 40        | 12        | 229-30507     | 34        | 9         |
| 107-17668     | 12        | 2         | 107-29952     | 24        | 21        | 107-46709     | 12        | 5         | 229-30556     | 34        | 15        |
| 107-17809     | 12        | 4         | 107-30109     | 24        | 23        | 107-46907     | 30        | 78        | 229-30705     | 34        | 7         |
| 107-17908     | 12        | 15        | 107-30513     | 24        | 13        | 107-47111     | 30        | 29        | 229-30804     | 34        | 5         |
| 107-18005     | 12        | 24        | 107-30703     | 24        | 29        | 107-47350     | 40        | 17        | 229-30903     | 34        | 4         |
| 107-18005     | 12        | 36        | 107-31008     | 24        | 11        | 107-47459     | 40        | 18        | 229-31000     | 34        | 3         |
| 107-18153     | 12        | 25        | 107-31404     | 30        | 2         | 107-47558     | 40        | 19        | 229-31109     | 34        | 2         |
| 107-18153     | 12        | 33        | 107-31701     | 2         | 29        | 107-47657     | 40        | 20        | 229-31307     | 34        | 11        |
| 107-18203     | 12        | 16        | 107-32204     | 2         | 46        | 107-48002     | 4         | 57        | 229-31406     | 34        | 8         |
| 107-18302     | 23        | 13        | 107-32402     | 30        | 49        | 107-48101     | 33        | 17        | 229-33006     | 36        | 2         |
| 107-18351     | 23        | 6         | 107-32600     | 30        | 50        | 107-48358     | 40        | 27        | 229-33303     | 36        | 16        |
| 107-18401     | 10        | 31        | 107-32709     | 30        | 25        | 107-51303     | 8         | 38        | 229-51552     | 2         | 47        |
| 107-18401     | 10        | 53        | 107-33004     | 30        | 4         | 107-52202     | 19        | 4         | 260-17400     | 10        | 43        |
| 107-18500     | 12        | 43        | 107-33103     | 2         | 43        | 107-52301     | 19        | 5         |               |           |           |
| 107-18658     | 12        | 8         | 107-33509     | 10        | 25        | 107-52418     | 19        | 14        | 400-11368     | 22        | 11        |
| 107-18906     | 12        | 11        | 107-33608     | 30        | 61        | 107-52467     | 19        | 3         | 400-24865     | 26        | 18        |
| 107-18906     | 28        | 8         | 107-33707     | 30        | 62        | 107-53002     | 30        | 11        | 400-25036     | 36        | 24        |
| 107-19052     | 12        | 18        | 107-33806     | 6         | 20        | 107-53002     | 30        | 36        | 400-25299     | 33        | 11        |
| 107-19201     | 12        | 20        | 107-34119     | 30        | 64        | 107-53150     | 35        | 4         | 400-25300     | 33        | 14        |
| 107-19300     | 12        | 23        | 107-34309     | 30        | 68        | 107-54802     | 4         | 38        | 400-25554     | 10        | 41        |
| 107-19508     | 12        | 28        | 107-34606     | 30        | 58        | 107-54901     | 2         | 42        | 400-25555     | 10        | 44        |
| 107-19656     | 12        | 21        | 107-34853     | 33        | 4         | 107-55155     | 33        | 20        | 400-25556     | 10        | 45        |
| 107-19664     | 12        | 19        | 107-35306     | 33        | 8         | 107-55205     | 33        | 25        | 400-25557     | 10        | 13        |
| 107-19706     | 12        | 46        | 107-35868     | 40        | 30        | 107-55403     | 30        | 38        | 400-25558     | 10        | 48        |
| 107-19805     | 12        | 47        | 107-35900     | 26        | 6         | 107-55502     | 24        | 27        | 400-25561     | 25        | 2         |
| 107-19953     | 12        | 30        | 107-35959     | 26        | 5         | 107-55601     | 18        | 6         | 400-25562     | 2         | 26        |
| 107-19961     | 12        | 29        | 107-36007     | 26        | 11        | 107-58456     | 38        | 16        | 400-26920     | 36        | 28        |
| 107-20001     | 12        | 32        | 107-36403     | 28        | 2         | 107-59603     | 19        | 21        | 400-27140     | 2         | 10        |
| 107-20209     | 10        | 1         | 107-36601     | 25        | 14        | 107-59603     | 36        | 12        | 400-27141     | 2         | 22        |
| 107-20357     | 10        | 2         | 107-36908     | 24        | 31        | 107-60304     | 30        | 20        | 400-27219     | 10        | 9         |
| 107-20407     | 10        | 7         | 107-37013     | 24        | 35        | 107-80502     | 30        | 28        | 400-27220     | 10        | 47        |
| 107-20506     | 10        | 10        | 107-37500     | 26        | 17        | 107-61203     | 19        | 17        | 400-27231     | 10        | 40        |
| 107-20605     | 10        | 18        | 107-37708     | 26        | 22        | 107-61252     | 19        | 1         | 400-31233     | 25        | 4         |
| 107-21009     | 10        | 19        | 107-37807     | 26        | 24        | 107-70402     | 18        | 22        | 400-31234     | 25        | 6         |
| 107-21009     | 10        | 54        | 107-38755     | 26        | 26        | 107-70501     | 18        | 43        | 400-31235     | 25        | 7         |
| 107-21306     | 10        | 16        | 107-39209     | 30        | 10        | 107-71251     | 4         | 36        | 400-33293     | 18        | 5         |
| 107-21900     | 10        | 35        | 107-39209     | 30        | 35        | 107-71269     | 4         | 35        | 400-35542     | 10        | 14        |
| 107-22007     | 10        | 23        | 107-39308     | 18        | 23        | 107-71301     | 30        | 23        | 400-38691     | 16        | 7         |
| 107-22353     | 18        | 26        | 107-39407     | 18        | 24        | 107-71509     | 30        | 18        | 400-38722     | 32        | 30        |
| 107-22403     | 18        | 1         | 107-39506     | 8         | 70        | 107-72952     | 33        | 9         | 400-38723     | 32        | 33        |
| 107-22601     | 19        | 11        | 107-40900     | 33        | 2         | 107-73000     | 30        | 71        | 400-52244     | 18        | 49        |
| 107-22809     | 19        | 2         | 107-41007     | 4         | 14        | 107-74305     | 8         | 28        | 400-52246     | 25        | 11        |
| 107-22908     | 19        | 18        | 107-41106     | 21        | 16        | 107-74701     | 36        | 22        | 400-52249     | 26        | 20        |
| 107-23013     | 19        | 6         | 107-41452     | 21        | 6         | 107-75302     | 18        | 36        | 400-52251     | 8         | 78        |
| 107-23104     | 19        | 15        | 107-41502     | 21        | 20        | 107-75500     | 4         | 27        | 400-52253     | 18        | 2         |
| 107-23203     | 19        | 7         | 107-41601     | 21        | 13        | 107-75609     | 4         | 52        | 400-52256     | 36        | 5         |
| 107-23302     | 19        | 19        | 107-42005     | 33        | 5         | 107-75658     | 4         | 51        | 400-52260     | 23        | 10        |
| 107-23401     | 19        | 20        | 107-42302     | 33        | 1         | 107-75807     | 28        | 5         | 400-52262     | 36        | 9         |
| 107-23500     | 19        | 16        | 107-42856     | 2         | 15        | 107-76656     | 4         | 32        | 400-52266     | 4         | 63        |
| 107-23708     | 18        | 27        | 107-43003     | 2         | 7         | 107-77308     | 2         | 18        | 400-52874     | 10        | 33        |
| 107-23807     | 18        | 28        | 107-43151     | 2         | 1         | 110-20401     | 4         | 22        | 400-58040     | 14        | 5         |
| 107-23906     | 18        | 30        | 107-43201     | 2         | 13        | 110-20500     | 4         | 24        | 400-58041     | 16        | 5         |
| 107-24201     | 18        | 34        | 107-43300     | 23        | 1         | 110-20609     | 4         | 23        | 400-58042     | 16        | 11        |
| 107-24706     | 18        | 47        | 107-43656     | 33        | 19        | 110-41407     | 10        | 42        | 400-58043     | 16        | 35        |
| 107-24805     | 18        | 39        | 107-44308     | 10        | 24        | 110-73103     | 36        | 11        | 400-58044     | 16        | 37        |
| 107-25158     | 18        | 42        | 107-44704     | 21        | 8         | 129-39708     | 20        | 15        | 400-58045     | 16        | 20        |
| 107-25307     | 10        | 8         | 107-44803     | 21        | 9         | 129-39807     | 20        | 16        | 400-58046     | 16        | 23        |
| 107-25604     | 18        | 44        | 107-44902     | 21        | 11        | 129-39906     | 20        | 17        | 400-58047     | 16        | 25        |
| 107-26107     | 18        | 7         | 107-45354     | 38        | 5         | 137-07500     | 12        | 39        | 400-58048     | 16        | 30        |
| 107-27105     | 30        | 7         | 107-45354     | 40        | 5         | 137-37804     | 10        | 46        | 400-58049     | 35        | 11        |
| 107-27105     | 30        | 31        | 107-45453     | 38        | 6         | 137-55202     | 10        | 36        | 400-58050     | 16        | 27        |
| 107-27154     | 30        | 6         | 107-45453     | 40        | 6         |               |           |           | 400-58051     | 16        | 1         |
| 107-27162     | 30        | 30        | 107-45552     | 38        | 7         | 210-54903     | 30        | 44        | 400-58052     | 12        | 1         |

NUMERICAL INDEX OF PARTS  
索引

| PART NO<br>品番 | PAGE<br>頁 | REF<br>NO | PART NO<br>品番 | PAGE<br>頁 | REF<br>NO | PART NO<br>品番 | PAGE<br>頁 | REF<br>NO | PART NO<br>品番 | PAGE<br>頁 | REF<br>NO |
|---------------|-----------|-----------|---------------|-----------|-----------|---------------|-----------|-----------|---------------|-----------|-----------|
| 400-58053     | 28        | 12        |               |           |           |               |           |           |               |           |           |
| 400-58054     | 10        | 34        |               |           |           |               |           |           |               |           |           |
| 400-58055     | 28        | 7         |               |           |           |               |           |           |               |           |           |
| 400-58056     | 25        | 16        |               |           |           |               |           |           |               |           |           |
| 400-58057     | 31        | 3         |               |           |           |               |           |           |               |           |           |
| 400-58058     | 16        | 3         |               |           |           |               |           |           |               |           |           |
| 400-58059     | 16        | 32        |               |           |           |               |           |           |               |           |           |
| 400-58062     | 14        | 10        |               |           |           |               |           |           |               |           |           |
| 400-58063     | 14        | 13        |               |           |           |               |           |           |               |           |           |
| 400-58064     | 14        | 4         |               |           |           |               |           |           |               |           |           |
| 400-58065     | 20        | 11        |               |           |           |               |           |           |               |           |           |
| 400-58066     | 20        | 2         |               |           |           |               |           |           |               |           |           |
| 400-58067     | 20        | 5         |               |           |           |               |           |           |               |           |           |
| 400-58068     | 20        | 6         |               |           |           |               |           |           |               |           |           |
| 400-58069     | 20        | 8         |               |           |           |               |           |           |               |           |           |
| 400-58070     | 35        | 15        |               |           |           |               |           |           |               |           |           |
| 400-58070     | 40        | 22        |               |           |           |               |           |           |               |           |           |
| 400-58071     | 35        | 2         |               |           |           |               |           |           |               |           |           |
| 400-58071     | 40        | 25        |               |           |           |               |           |           |               |           |           |
| 400-58134     | 14        | 6         |               |           |           |               |           |           |               |           |           |
| 400-58135     | 16        | 4         |               |           |           |               |           |           |               |           |           |
| 400-58136     | 16        | 33        |               |           |           |               |           |           |               |           |           |
| 400-58137     | 16        | 39        |               |           |           |               |           |           |               |           |           |
| 400-58142     | 18        | 25        |               |           |           |               |           |           |               |           |           |
| 400-58143     | 28        | 15        |               |           |           |               |           |           |               |           |           |
| 400-58144     | 10        | 5         |               |           |           |               |           |           |               |           |           |
| 400-58145     | 10        | 37        |               |           |           |               |           |           |               |           |           |
| 400-58148     | 16        | 13        |               |           |           |               |           |           |               |           |           |
| 400-58149     | 16        | 10        |               |           |           |               |           |           |               |           |           |
| 400-58150     | 16        | 19        |               |           |           |               |           |           |               |           |           |
| 400-58151     | 16        | 34        |               |           |           |               |           |           |               |           |           |
| 400-58152     | 14        | 1         |               |           |           |               |           |           |               |           |           |
| 400-58153     | 12        | 17        |               |           |           |               |           |           |               |           |           |
| 400-59035     | 18        | 4         |               |           |           |               |           |           |               |           |           |
| 400-59049     | 16        | 29        |               |           |           |               |           |           |               |           |           |
| 400-59559     | 32        | 3         |               |           |           |               |           |           |               |           |           |
| 400-59694     | 33        | 22        |               |           |           |               |           |           |               |           |           |
| 400-59695     | 33        | 23        |               |           |           |               |           |           |               |           |           |
| 400-62425     | 20        | 1         |               |           |           |               |           |           |               |           |           |
| 400-62426     | 20        | 13        |               |           |           |               |           |           |               |           |           |
| 400-62427     | 20        | 14        |               |           |           |               |           |           |               |           |           |
| 400-62428     | 20        | 19        |               |           |           |               |           |           |               |           |           |
| 400-62429     | 20        | 20        |               |           |           |               |           |           |               |           |           |
| 400-62438     | 20        | 18        |               |           |           |               |           |           |               |           |           |
| 400-62827     | 35        | 16        |               |           |           |               |           |           |               |           |           |
| 400-62827     | 40        | 23        |               |           |           |               |           |           |               |           |           |
| 400-63827     | 32        | 2         |               |           |           |               |           |           |               |           |           |
| 400-63828     | 32        | 1         |               |           |           |               |           |           |               |           |           |
| 400-63937     | 36        | 8         |               |           |           |               |           |           |               |           |           |
| 400-63991     | 18        | 45        |               |           |           |               |           |           |               |           |           |
| 400-63992     | 18        | 48        |               |           |           |               |           |           |               |           |           |
| 400-64213     | 16        | 41        |               |           |           |               |           |           |               |           |           |
| 400-64238     | 2         | 4         |               |           |           |               |           |           |               |           |           |
| 400-64240     | 23        | 5         |               |           |           |               |           |           |               |           |           |
| 400-64353     | 35        | 14        |               |           |           |               |           |           |               |           |           |
| 400-64353     | 40        | 24        |               |           |           |               |           |           |               |           |           |
| 400-64512     | 36        | 29        |               |           |           |               |           |           |               |           |           |
| 400-64517     | 32        | 6         |               |           |           |               |           |           |               |           |           |
| 400-64519     | 4         | 31        |               |           |           |               |           |           |               |           |           |
| 400-64611     | 31        | 2         |               |           |           |               |           |           |               |           |           |



# MEMO

---

---

---

---

---

---

---

---

---

---

---

---

---

---

---

---

---

---

---

---

---

---

---

---

---

---

---

---

---

---

**JUKI®**

JUKI 株式会社

JUKI CORPORATION

お買い求め、ご相談は  
To order or for further  
information,  
please contact: