

# BAS-311G

# BAS-326G

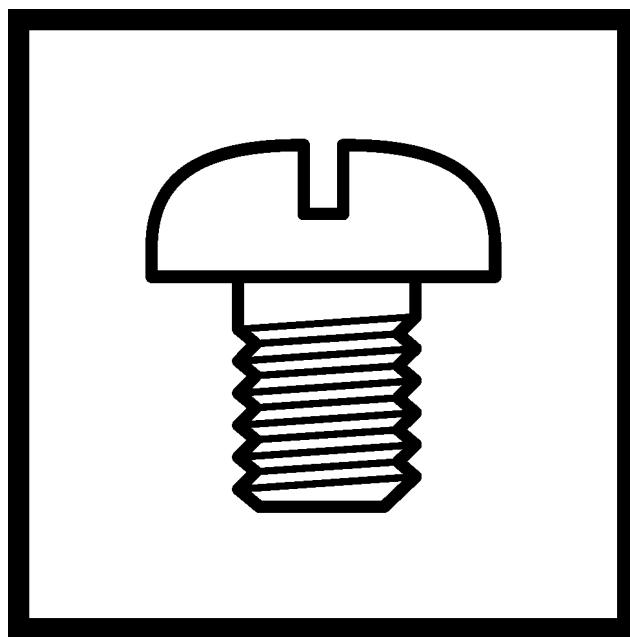
---

直接驱动式

程序电脑花式机

DIRECT DRIVE

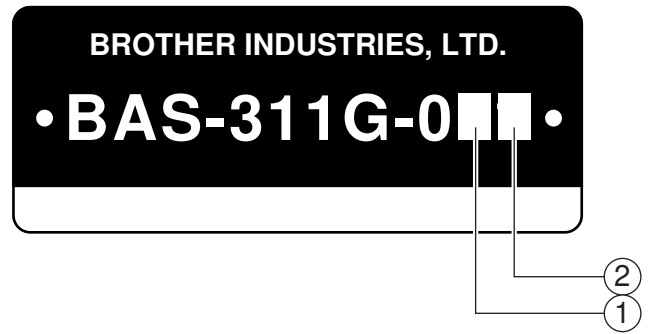
PROGRAMMABLE ELECTRONIC PATTERN SEWER



---

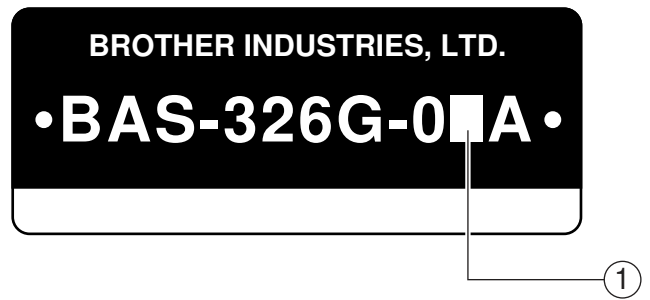
**brother**<sup>®</sup>





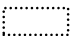
- ① — 1: 厚布料 / Heavy-weight materials  
2: 中厚布料 / Medium-weight materials

- ② — S: 电磁式抬压脚 / Solenoid-type work clamp lifter  
A: 空压式抬压脚 / Pneumatic-type work clamp lifter



- ① — 1: 厚布料 / Heavy-weight materials  
2: 中厚布料 / Medium-weight materials

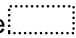
# 零件手册的使用说明

1. 本手册是根据截止至2005年6月的资料为基准而编制的。
2. 零部件设计若有变动，恕不另行通知。
3. 以组件为单位供应的部件用  框出。

## 目 录

A. 机体部分 .....	1
B. 上轴·针杆装置 .....	3
C1. 送料装置 .....	5
C2. 送料装置 .....	7
C3. 送料装置 .....	11
C4. 送料装置 .....	13
D1. 抬压装置 .....	15
D2. 抬压装置 .....	17
D3. 抬压装置 .....	19
E. 下轴装置 .....	21
F. 供油润滑装置 .....	23
G. 穿线装置 .....	27
H. 卷线装置 .....	29
J. 切线装置 .....	31
K. 扫线装置 .....	35
L. 松线装置 .....	37
M1. 控制箱装置 .....	39
M2. 控制箱装置(电源基板) .....	41
N. 开关装置 .....	43
P. 空压装置 .....	45
Q. 电气部品装置 .....	47
R. 操作盘装置 .....	49
S. 马达装置 .....	51
T. 踏板关系 .....	53
U. 编程装置 .....	55
V1. 附属装置(选购件) .....	57
V2. 附属装置(选购件) .....	59
Z. 附件 .....	61
Wa. 警告标签 .....	65
Sp. 不同规格零部件一览表 .....	66
Ga. 工模具一览表 .....	68
索引.....	69

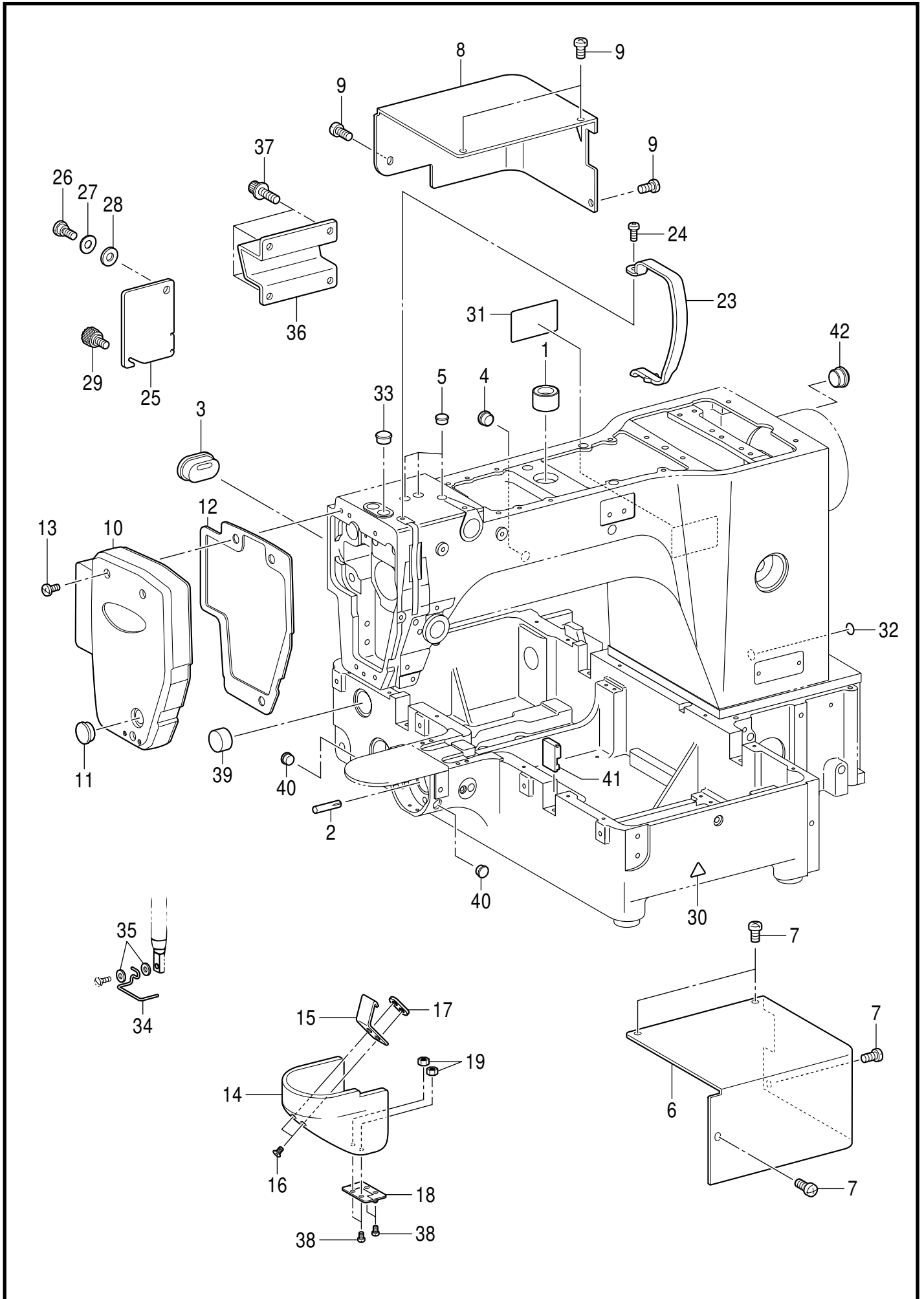
# Notes for using this parts book

1. This book was prepared based on information available in June 2005.
2. Parts are subject to changes in design without prior notice.
3. Parts supplied as complete assemblies are circled by a dotted line .

## CONTENTS

A. Machine body .....	1
B. Upper shaft and needle bar mechanism .....	3
C1. Feed mechanism .....	5
C2. Feed mechanism .....	7
C3. Feed mechanism .....	11
C4. Feed mechanism .....	13
D1. Work clamp lifter mechanism .....	15
D2. Work clamp lifter mechanism .....	17
D3. Work clamp lifter mechanism .....	19
E. Lower shaft mechanism .....	21
F. Lubrication .....	23
G. Threading mechanism .....	27
H. Bobbin winder mechanism .....	29
J. Thread trimmer mechanism .....	31
K. Thread wiper mechanism .....	35
L. Tension release mechanism .....	37
M1. Control box mechanism .....	39
M2. Control box (PCB) mechanism .....	41
N. Power switch mechanism .....	43
P. Air pressure mechanism .....	45
Q. Power supply equipment mechanism .....	47
R. Operation panel mechanism .....	49
S. Motor mechanism .....	51
T. Foot switch pedal mechanism .....	53
U. Programmer .....	55
V1. Attachment set (Option parts) .....	57
V2. Attachment set (Option parts) .....	59
Z. Accessories .....	61
Wa. Warning labels .....	65
Sp. Different parts list .....	66
Ga. Gauge parts list .....	68
Index .....	69

A . 机体部分 / Machine body

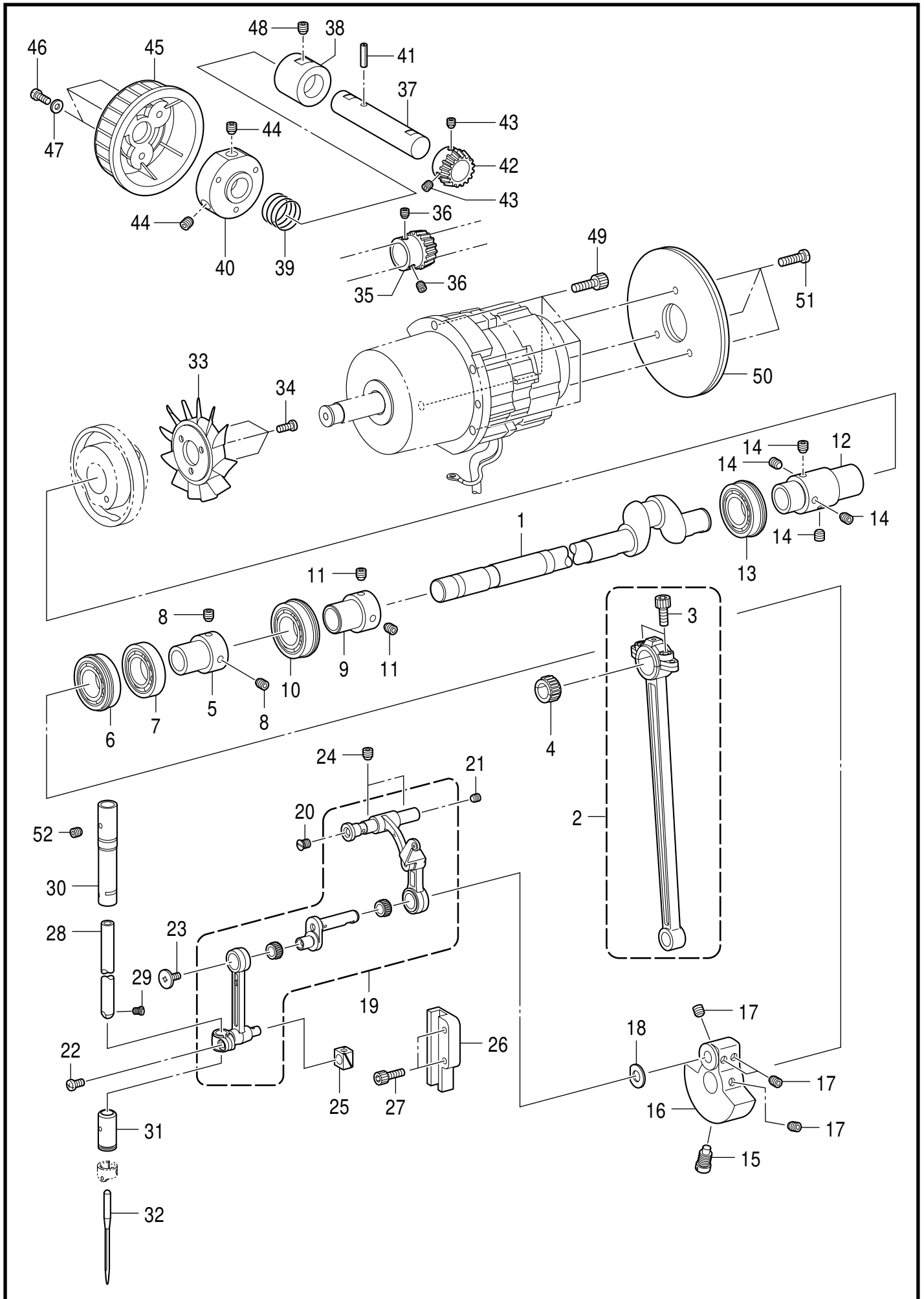


BAS-311G/326G-050

A. 机体部分 / Machine body

参照号	零部件序号	数量	零部件名称	NAME OF PARTS	RM
1	SA4594001	1	轴套 U	BUSHING U	
2	117608001	1	开口销	DOWEL PIN	
3	SA4596001	1	橡皮塞 20-15	RUBBER CAP 20-15	
4	117934001	1	橡皮塞 13.5	RUBBER CAP, 13.5	
5	104821001	3	橡皮塞 10.5	RUBBER CAP, 10.5	
6	SA4597001	1	马达盖 R	MOTOR COVER R	
7	062061016	4	螺钉 M6X10	SCREW PAN M6X10	
8	SA4598001	1	马达盖 L	MOTOR COVER L	
9	062061016	4	螺钉 M6X10	SCREW PAN M6X10	
10	SA4600001	1	面板	FACE PLATE	
11	104449001	1	橡皮塞 15.5	RUBBER CAP, 15.5	
12	SA4601001	1	面板垫片	F-PLATE PACKING	
13	062061016	3	螺钉 M6X10	SCREW PAN M6X10	
14	SA4603101	1	大旋梭盖	SHUTTLE RACE COVER	
15	SA6272001	1	大旋梭盖挂钩 D	SHUTTLE RACE COVER HOOK D	
16	004300513	2	螺钉 M3X5	SCREW, FLAT M3X5	
17	SA3264001	1	板螺母	NUT PLATE	
18	SA6207001	1	铰链	HINGE	
19	021300103	2	螺母 M3	NUT, 1 M3	
23	SA3200101	1	挑线杆防护罩	THREAD TAKE-UP COVER	
24	062401006	1	螺钉 M4X10	SCREW PAN M4X10	
25	SA4604001	1	间歇盖板	STEPPING COVER	
26	SA3306001	1	段螺钉 7-3	SHOULDER SCREW,7-3	
27	120265002	1	弹簧垫圈	SPRING WASHER	
28	S07350002	1	垫圈	WASHER PLAIN	
29	S36475000	1	螺钉 M5	SCREW, M5	
30	S36924002	1	警告标记	MARK, INJURY	
31	SA0792001	1	<用于日本> 操作注意标签(日/英)	<For Japan only> LABEL, CAUTION JPN/ENG	
31	SA0793001	1	<用于日本以外> 操作注意标签(中/英)	<For Except Japan> LABEL, CAUTION CHN/ENG	
32	S37060001	1	接地标记	LABEL, GROUNDING	
33	S20164001	1	橡皮塞 13	RUBBER CAP, 13	
34	S02445001	1	护指器	FINGER GUARD	
35	025350332	2	平垫圈 L3.5	WASHER PLAIN L 3.5	
36	SA4605001	1	机头撑杆	HEAD REST	
37	S42446001	4	螺栓 M6X14	BOLT, SOCKET (S/P WASHER)M6X14	
38	062300506	4	螺钉 M3X5	SCREW PAN M3X5	
39	SA6194001	1	橡皮塞 26	RUBBER CAP 26	
40	S44010001	2	橡皮塞 11.5	RUBBER CAP 11.5	
41	SA6441001	2	橡皮盖	RUBBER CAP	
42	S20164001	1	橡皮塞 13	RUBBER CAP 13	

B. 上轴 · 针杆装置 / Upper shaft and needle bar mechanism

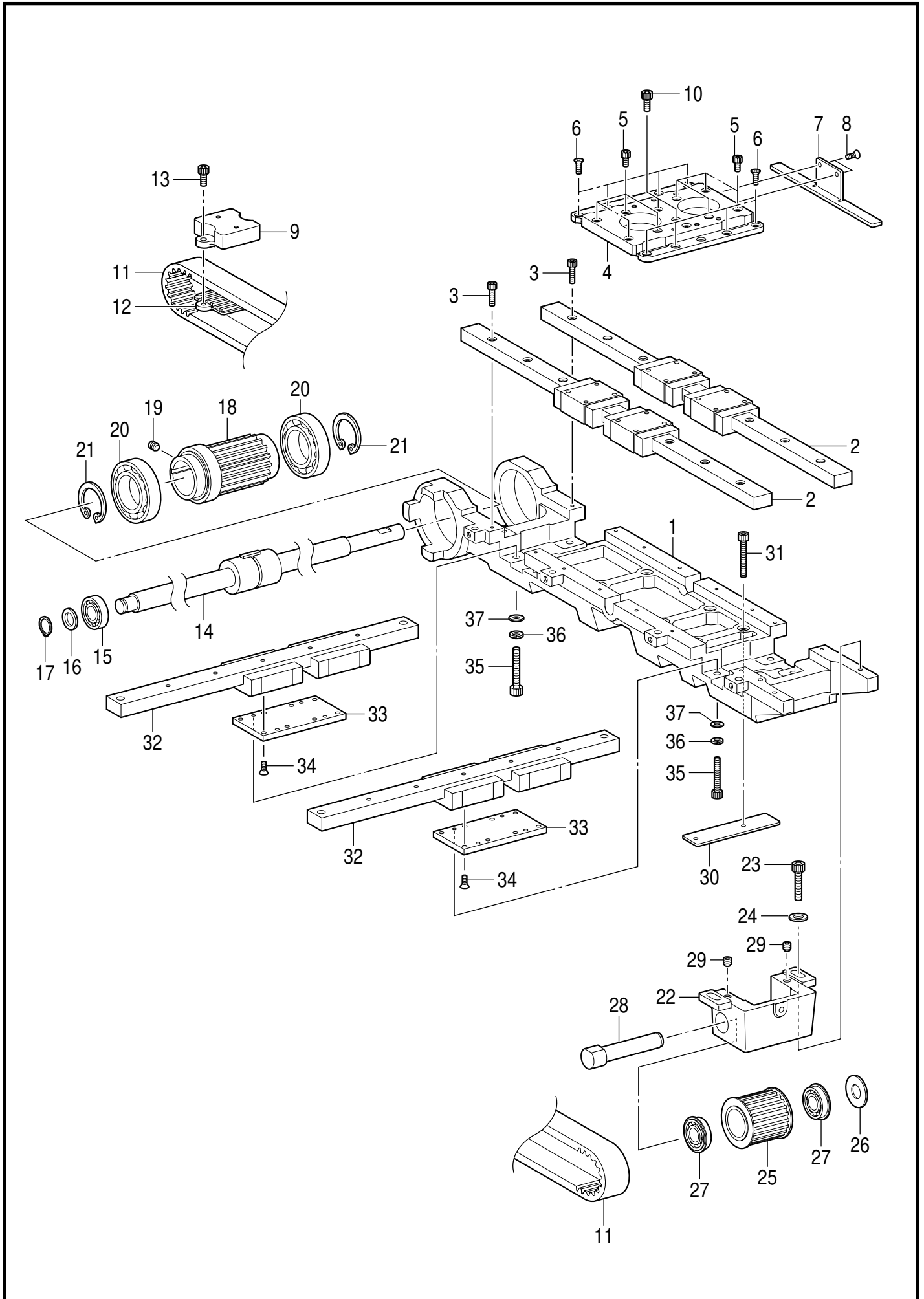




B. 上轴 · 针杆装置 / Upper shaft and needle bar mechanism

参照号	零部件序号	数量	零部件名称	NAME OF PARTS	RM
1	SA4606001	1	上轴	UPPER SHUFT	
2	SA3499001	1	曲柄轴组件	CRANK ROD ASSY	
3	018501636	2	螺栓 M5X16	BOLT SOCKET M5X16	
4	SA4172001	2	滚针轴承	NEEDLE BEARING: BLUE	
4	SA4173001	2	滚针轴承	NEEDLE BEARING: BLACK	
4	SA4174001	2	滚针轴承	NEEDLE BEARING: GRAY	
4	SA4175001	2	滚针轴承	NEEDLE BEARING: YELLOW	
5	SA3206001	1	轴承套	BALL BEARING BUSH	
6	SA4179001	1	轴承 6904DDUNR	BALL BEARING 6904DDUNR	
7	SA4180001	1	轴承 R-6904DDU	BALL BEARING 6904DDU	
8	S23651001	2	固定螺钉 M6X6	SET SCREW, SOCKET (FT) M6X6	
9	SA3206001	1	轴承套	BALL BEARING BUSH	
10	SA4177001	1	轴承 6004DDUNR	BALL BEARING 6004DDUNR	
11	S23651001	2	固定螺钉 M6X6	SET SCREW, SOCKET (FT) M6X6	
12	SA4608101	1	管接头 G	JOINT G	
13	SA4178001	1	轴承 6204DDUNR	BALL BEARING 6204DDUNR	
14	S23651001	4	固定螺钉 M6X6	SET SCREW, SOCKET (FT) M6X6	
15	S25235001	1	螺钉 M8	SCREW, M8	
16	SA4609101	1	曲柄 G	THREAD TAKE-UP CRANK G	
17	S23651001	4	固定螺钉 M6X6	SET SCREW, SOCKET (FT) M6X6	
18	110367001	1	垫圈 8	WASHER, PLAIN SPECIAL 8	
19	SA6182001	1	针杆连杆组件 FK	THREAD TAKE-UP LEVER FK SET	
20	SA2958001	1	螺钉 M5X6	SCREW FLAT M5X6	
21	012500536	1	螺钉 M5X5	SET SCREW SOCKET (FT) M5X5	
22	062400816	1	螺钉 M4X8	SCREW PAN M4X8	
23	145465001	1	螺钉 SM3.57-40X6L	SCREW, SM3.57-40X6 L	
24	012060636	2	螺钉 M6X6	SET SCREW SOCKET (FT) M6X6	
25	142211001	1	滑块	SLIDE BLOCK	
26	SA3528001	1	滑块导向 B	SLIDE BLOCK GUIDE	
27	018401636	2	螺栓 M4X16	BOLT SOCKET M4X16	
28	SA4622001	1	针杆	NEEDLE BAR	
29	144458001	1	螺钉 SM3.57-40X4.5	SET SCREW, SM3.57-40X4.5	
30	SA4666001	1	针杆轴套 UK	NEEDLE BAR BUSH UK	
31	SA3224001	1	针棒轴套 D	NEEDLE BAR BUSH,D	
32	* P. 67	1	机针	NEEDLE	
33	S38713100	1	叶轮	FAN	
34	062400816	3	螺钉 M4X8	SCREW PAN M4X8	
35	SA6108001	1	齿轮 R	PULLEY GEAR R	
36	012500536	2	螺钉 M5X5	SET SCREW SOCKET (FT) M5X5	
37	SA4626001	1	上轮轴	PULLEY SHUFT	
38	SA4627001	1	上轮轴套	PULLEY BUSH	
39	SA4628001	1	上轮弹簧	PULLEY SPRING	
40	SA4629001	1	上轮基座	PULLEY BASE	
41	047401242	1	弹簧销 4X12	PIN SPRING ROLL AW4	
42	SA4624001	1	齿轮	PULLEY GEAR L	
43	012500536	2	螺钉 M5X5	SET SCREW SOCKET (FT) M5X5	
44	S23651001	2	固定螺钉 M6X6	SET SCREW, SOCKET (FT) M6X6	
45	SA4630001	1	上轮	PULLEY	
46	062401006	3	螺钉 M4X10	SCREW PAN M4X10	
47	SA5158001	3	垫圈 L4	WASHER PLAIN L 4	
48	012060636	1	螺钉 M6X6	SET SCREW SOCKET (FT) M6X6	
49	018501636	4	螺栓 M5X16	BOLT SOCKET M5X16	
50	SA5230001	2	惯性轮 2	FRIES WHEEL 2	
51	062401016	3	螺钉 M4X10	SCREW PAN M4X10	
52	012060536	1	螺钉 M6X5	SET SCREW SOCKET (FT) M6X5	

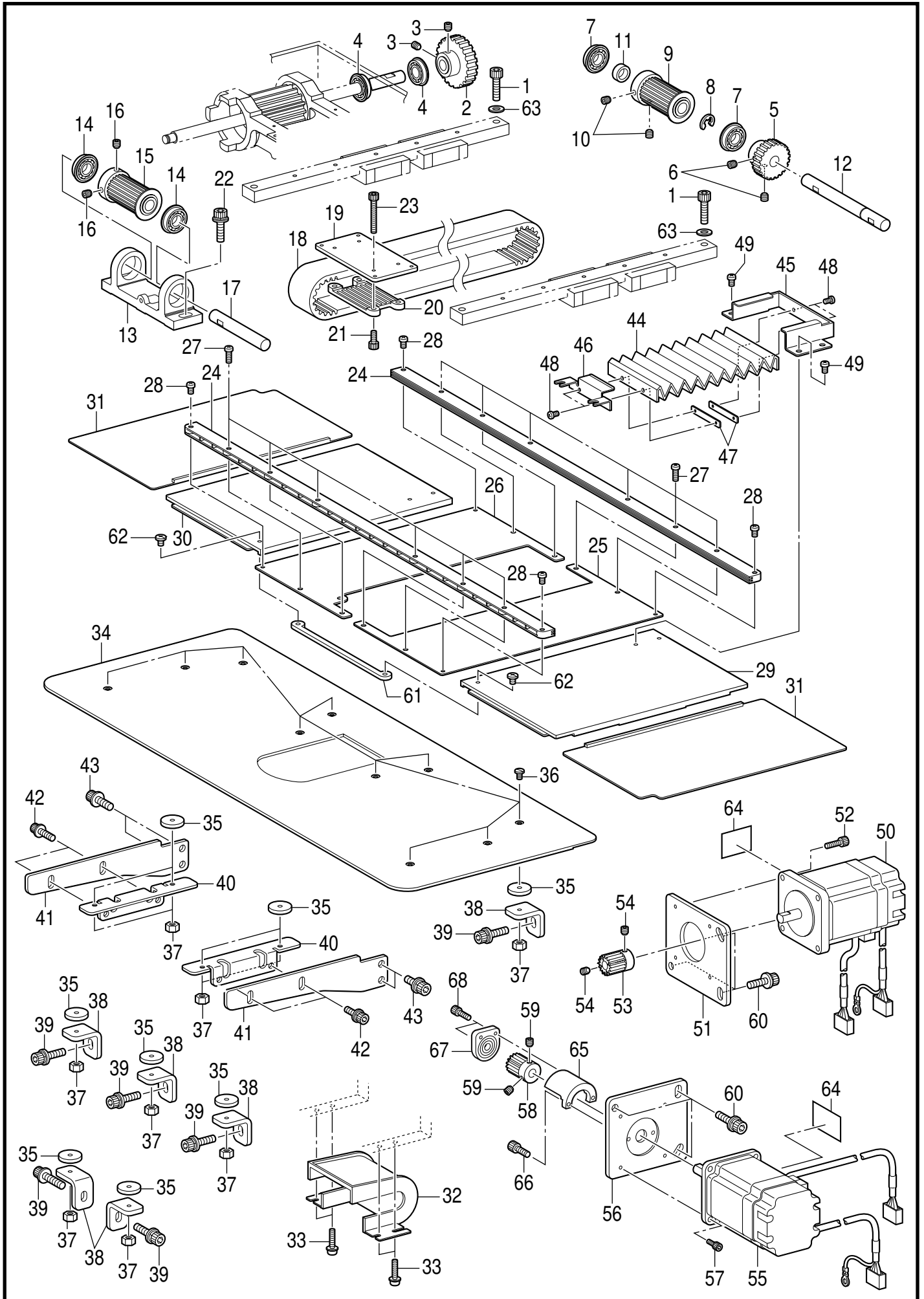
C1 . 送料装置 / Feed mechanism



C1. 送料装置 / Feed mechanism

参照号	零部件序号	数量	零部件名称	NAME OF PARTS	RM
1	SA5229101	1	送布基座组件	FEED BRACKET ASSY	
2	SA4637001	2	X-LM导向	X-LM GUIDE	
3	018301436	15	螺栓 M3X14	BOLT SOCKET M3X14	
4	SA4635101	1	送布台 (X)	FEED BRACKET X	
5	018300636	8	螺栓 M3X6	BOLT SOCKET M3X6	
6	061300616	8	螺钉 M3X6	SCREW FLAT M3X6	
7	SA4636101	1	传感器板 (X)	X-SENSOR PLATE	
8	061300616	2	螺钉 M3X6	SCREW FLAT M3X6	
9	SA4641001	1	皮带支架 (X)	X-BELT HOLDER	
10	018400836	2	螺栓 M4X8	BOLT SOCKET M4X8	
11	SA4649001	1	X-GT皮带	X-GT BELT	
12	SA4640001	1	皮带支架板 (X)	X-BELT HOLDER PLATE	
13	018400836	2	螺栓 M4X8	BOLT SOCKET M4X8	
14	SA4639001	1	花键轴 (Y)	Y-BALL SPLINE	
15	076000600	1	球轴承 6000VV	BALL BEARING RADIAL 6000VV	
16	025100132	1	平垫圈 S10	WASHER PLAIN S 10	
17	048100142	1	轴用挡圈 C10	RETAINING RING EXTERNAL C10	
18	SA4638001	1	X-左轮	X-LEFT PULLEY	
19	012060636	1	螺钉 M6X6	SET SCREW SOCKET (FT) M6X6	
20	076806606	2	球轴承 6806VV	BALL BEARING 6806VV	
21	048420242	2	孔用挡圈 C42	RETAINING RING INTERNAL C42	
22	SA4642001	1	X-轮基座	X-PULLEY BRACKET	
23	018501636	2	螺栓 M5X16	BOLT SOCKET M5X16	
24	025050236	2	平垫圈 M5	WASHER PLAIN M 5	
25	SA4643001	1	X-右轮组件	X-RIGHT PULLEY ASSY	
26	S20356001	1	平垫圈 10	WASHER, PLAIN 10	
27	SA4647001	2	球轴承 6900ZZNR	BALL BEARING 6900ZZNR	
28	SA4648001	1	X-轮支点轴	X-PULLEY FULCRUM SHAFT	
29	012060636	2	螺钉 M6X6	SET SCREW SOCKET (FT) M6X6	
30	SA4650001	1	Y-传感板	Y-SENSOR PLATE	
31	018402036	2	螺栓 M4X20	BOLT SOCKET M4X20	
32	SA4651101	2	Y-LM导向	Y-LM GUIDE	
33	SA4652101	2	Y-LM垫片	Y-LM SPACER	
34	061300616	16	螺钉 M3X6	SCREW FLAT M3X6	
35	018402036	8	螺栓 M4X20	BOLT SOCKET M4X20	
36	025040236	8	平垫圈 M4	WASHER PLAIN M 4	
37	028040246	8	弹簧垫圈 2-4	WASHER SPRING 2-4	

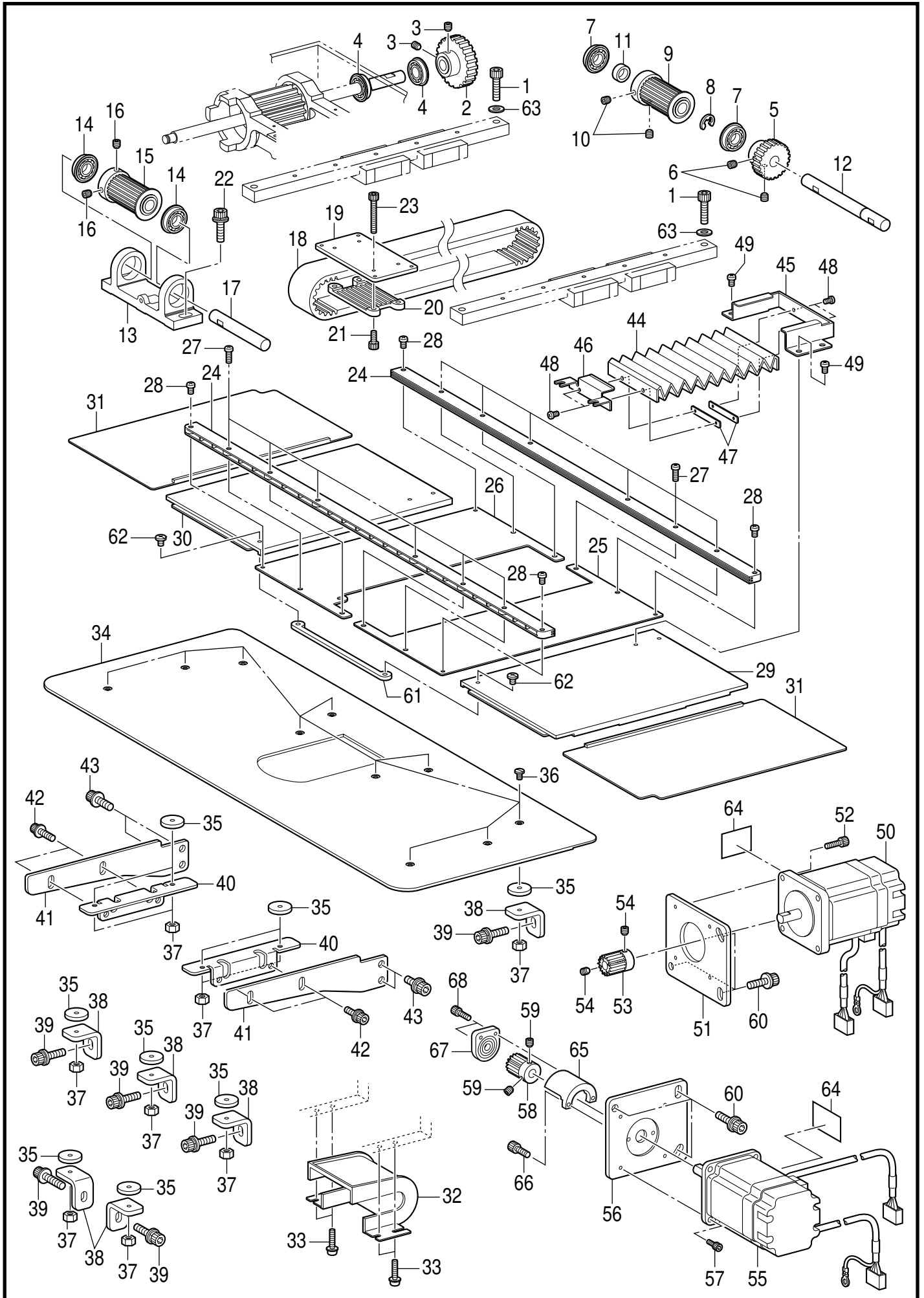
C2. 送料装置 / Feed mechanism



## C2. 送料装置 / Feed mechanism

参照号	零部件序号	数量	零部件名称	NAME OF PARTS	RM
1	018062036	4	螺栓 M6X20	BOLT SOCKET M6X20	
2	SA4653001	1	X-送布齿轮	X-FEED GEAR	
3	012060636	2	螺钉 M6X6	SET SCREW SOCKET (FT) M6X6	
4	SA4647001	2	球轴承 6900ZZNR	BALL BEARING 6900ZZNR	
5	SA4654001	1	Y-送布齿轮	Y-FEED GEAR	
6	012060636	2	螺钉 M6X6	SET SCREW SOCKET (FT) M6X6	
7	SA4647001	2	球轴承 6900ZZNR	BALL BEARING 6900ZZNR	
8	048080342	1	挡圈 E8	RETAINING RING E8	
9	SA4655101	1	Y-轮组件	Y-PULLEY ASSY	
10	012060636	2	螺钉 M6X6	SET SCREW SOCKET (FT) M6X6	
11	SA4658001	1	Y-轮轴套	Y-PULLEY COLLAR	
12	SA4659001	1	Y-驱动轴	Y-PULLEY DRIVING SHAFT	
13	SA4661001	1	Y-轮基座	Y-PULLEY BRACKET	
14	SA4647001	2	球轴承 6900ZZNR	BALL BEARING 6900ZZNR	
15	SA4655101	1	Y-轮组件	Y-PULLEY ASSY	
16	012060636	2	螺钉 M6X6	SET SCREW SOCKET (FT) M6X6	
17	SA4662001	1	Y-轮支点轴	Y-PULLEY FULCRUM SHAFT	
18	SA4663001	1	Y-GT皮带	Y-GT BELT	
19	SA4664001	1	Y-皮带支架板	BELT SUPPORT PLATE Y	
20	SA4665001	1	Y-皮带支撑板	Y-BELT WORK CLAMP PLATE	
21	018400836	4	螺栓 M4X8	BOLT SOCKET M4X8	
22	SA2972001	2	螺栓 M6X18	BOLT, SOCKET (S/P WASHER)M6X18	
23	018402036	4	螺栓 M4X20	BOLT SOCKET M4X20	
24	SA4667101	2	盖轨道	COVER RAIL	
25	SA4671001	1	固定盖 (R)	FIXATION R	
26	SA4672001	1	固定盖 (L)	FIXATION L	
27	062401016	12	螺钉 M4X10	SCREW PAN M4X10	
28	062400416	4	螺钉 M4X4	SCREW, PAN M4X4	
29	SA6359001	1	内盖组件 R	INSIDE COVER R ASSY	
30	SA6360001	1	内盖组件 L	INSIDE COVER L ASSY	
31	SA6361001	2	外盖组件	OUTSIDE COVER ASSY	
32	SA4673001	1	Y-皮带轮盖	BELT COVER Y	
33	0A5401006	4	螺栓(带垫圈) M4X10DB	SCREW PAN (S/P WASHER) M4X10	
34	SA4675201	1	补助板	AUXILIARY PLATE	
35	SA4677101	10	补助板缓冲	AUXILIARY PLATE CUSHION	
36	S23849001	10	螺钉 M4X16	SCREW,M4X16	
37	021400216	10	六角螺母 M4	NUT 2 M4	
38	SA4676001	6	补助板支架	AUXILIARY PLATE BRACKET	
39	S42446001	6	螺栓 M6X14	BOLT, SOCKET (S/P WASHER)M6X14	
40	SA6434001	2	补助板支架 U	SUPPORT PLATE GUIDE U	
41	SA6435001	2	补助板支架 D	SUPPORT PLATE GUIDE D	
42	S55484002	4	螺栓(带垫圈) M5X10	BOLT, SOCKET (S/P WASHER)M5X10	
43	S42446001	4	螺栓 M6X14	BOLT, SOCKET (S/P WASHER)M6X14	
44	SA4679101	1	蛇纹管	BELLOW	
45	SA4680101	1	蛇纹管支架 R	BELLOW PRESSER R	
46	SA4681001	1	蛇纹管支架 F	BELLOW PRESSER F	
47	SA4682001	2	螺母	BELLOW NUT	
48	062300416	4	螺钉 M3X4	SCREW PAN M3X4	
49	062400416	4	螺钉 M4X4	SCREW, PAN M4X4	
50	SA4820201	1	脉冲马达组件 X	PULSE MOTOR ASSY X	
51	SA4684001	1	马达安装板	MOTOR BRACKET PLATE	
52	018401036	4	螺栓 M4X10	BOLT SOCKET M4X10	
53	SA3707001	1	驱动齿轮 16	GEAR 16	
54	012060536	2	螺钉 M6X5	SET SCREW SOCKET (FT) M6X5	
55	SA4823101	1	脉冲马达组件 Y	PULSE MOTOR ASSY Y	
56	SA4684001	1	马达安装板	MOTOR BRACKET PLATE	
57	018401036	4	螺栓 M4X10	BOLT SOCKET M4X10	
58	SA3707001	1	驱动齿轮 16	GEAR 16	
59	012060536	2	螺钉 M6X5	SET SCREW SOCKET (FT) M6X5	
60	S42446001	6	螺栓 M6X14	BOLT, SOCKET (S/P WASHER)M6X14	
61	SA6306001	1	盖连接板	COVER CONNECT PLATE	

C2. 送料装置 / Feed mechanism

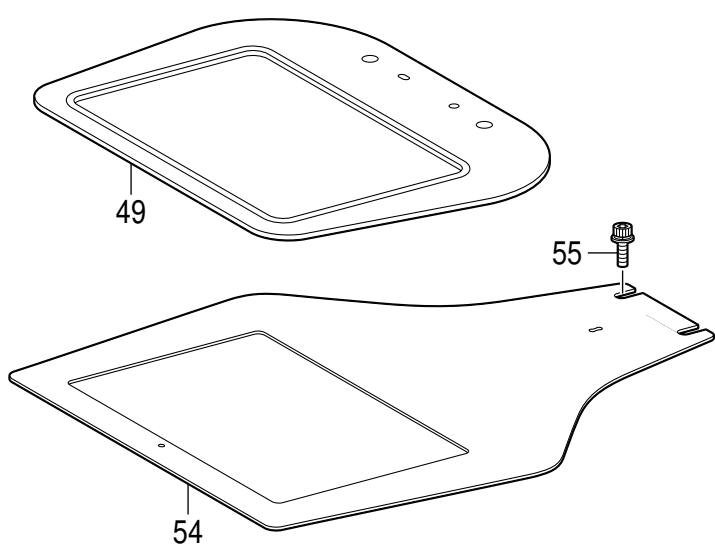
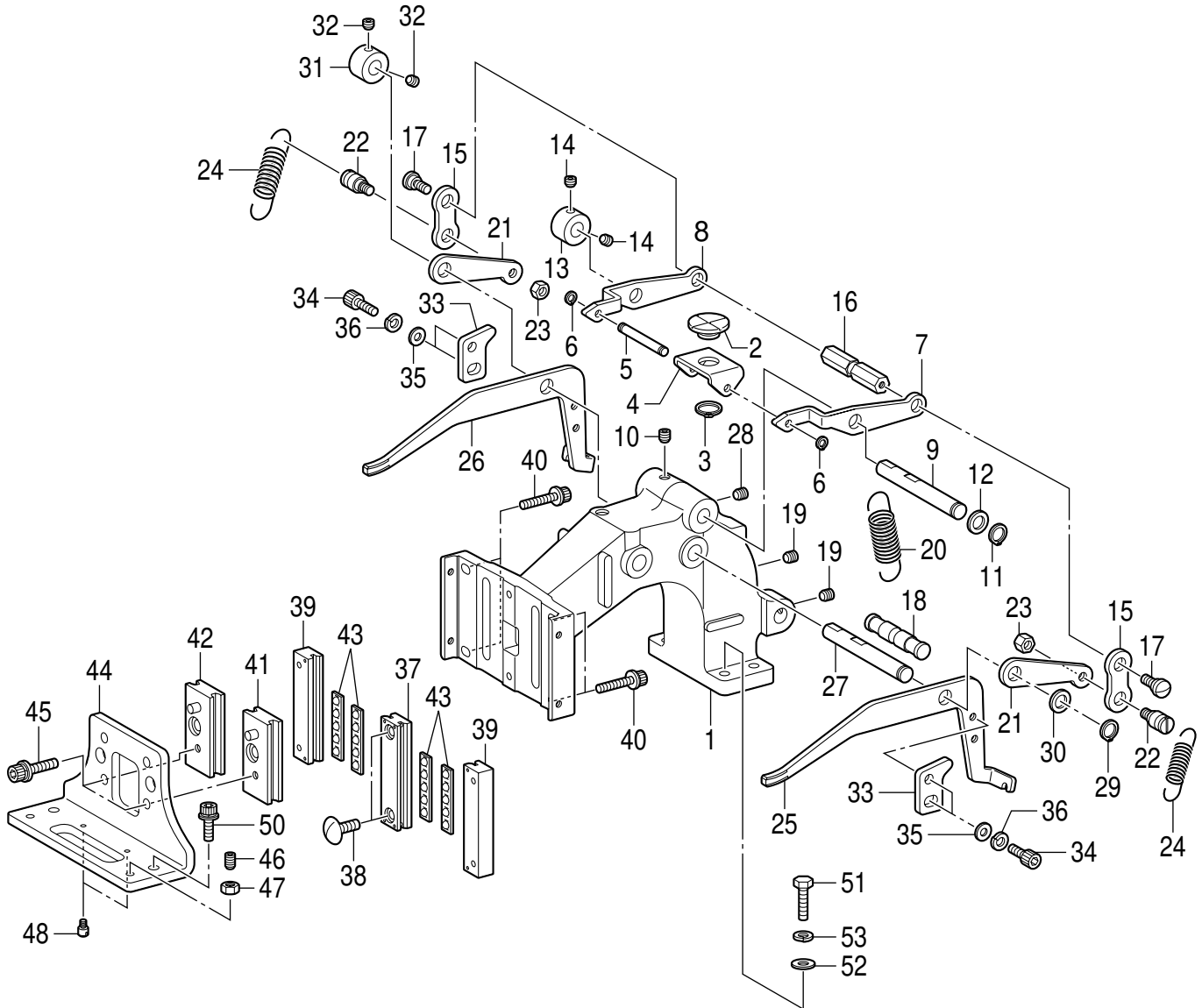


C2. 送料装置 / Feed mechanism

参照号	零部件序号	数量	零部件名称	NAME OF PARTS	RM
62	S23418001	2	螺钉 <b>M4X5</b>	SCREW, M4X5	
63	118735001	4	垫圈	WASHER	
64	SA4224001	2	注意符号 <b>30X40</b>	MARK, ATTENTION 30X40	
65	SA6450101	1	轴承支架座	BEARING HOLDER BASE	
66	018501036	2	螺栓 <b>M5X10</b>	BOLT SOCKET M5X10	
67	SA6451101	1	轴承支架组件	BEARING HOLDER ASSY	
68	018401036	2	螺栓 <b>M4X10</b>	BOLT SOCKET M4X10	

# C3 . 送料装置 / Feed mechanism

< 电磁式 / For Solenoid type >



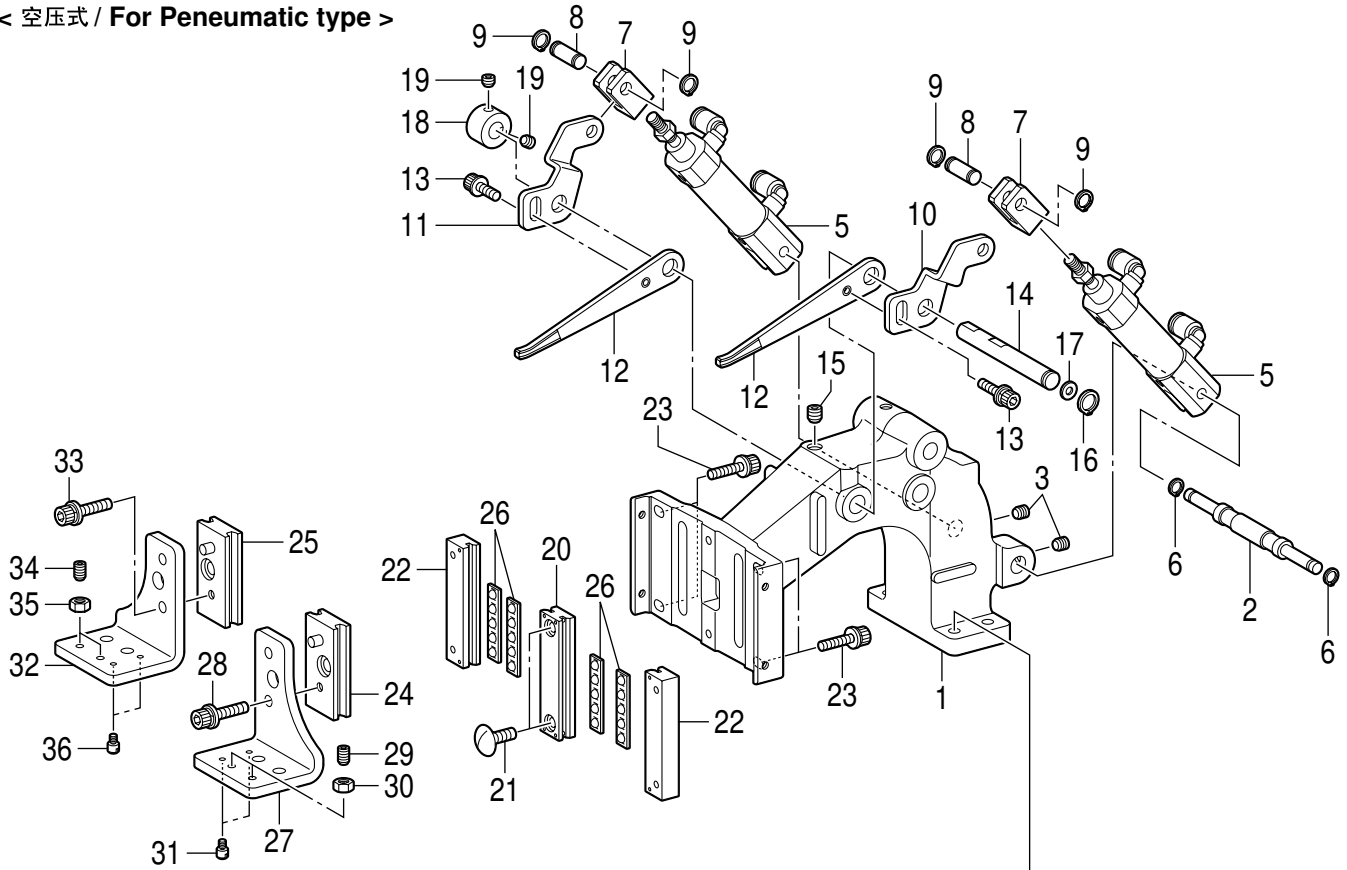


C3. 送料装置 / Feed mechanism

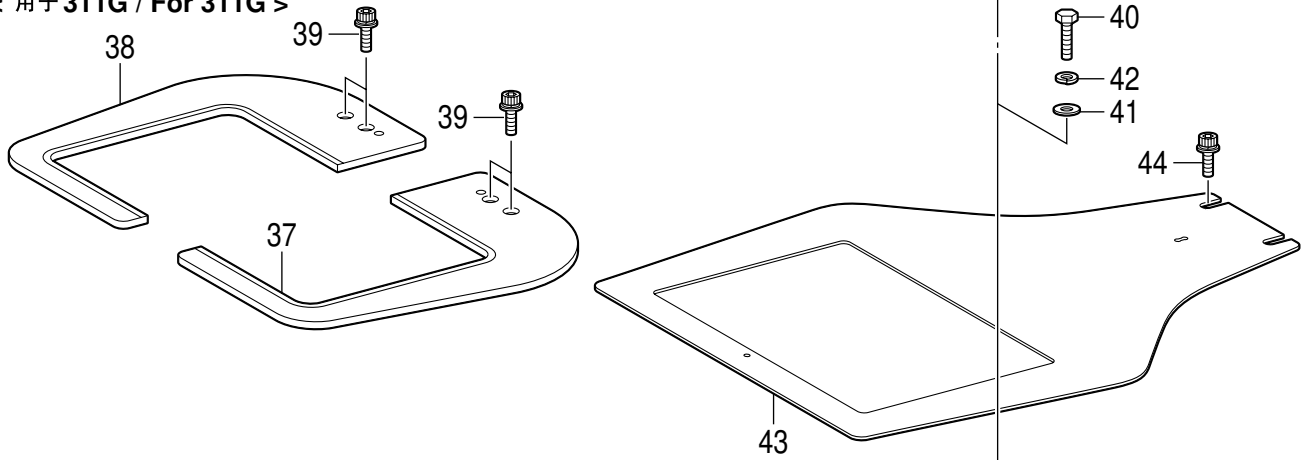
参照号	零部件序号	数量	零部件名称	NAME OF PARTS	RM
			<电磁式>	<For Solenoid type>	
1	SA4686101	1	压脚臂	WORK CLAMP	
2	SA4687101	1	滑块	SLIDER	
3	048100142	1	轴用挡圈 C10	RETAINING RING EXTERNAL C10	
4	SA4688001	1	滑块支架	SUPPORT SLIDER	
5	SA4689001	1	滑块支架轴	SUPPORT SHAFT SLIDER	
6	048040142	2	轴用挡圈 C4	RETAINING RING EXTERNAL C4	
7	SA4690001	1	压脚柄 R	WORK CLAMP LIFTER LEVER R	
8	SA4691001	1	压脚柄 L	WORK CLAMP LIFTER LEVER L	
9	SA4692001	1	压脚臂杆轴	WORK CLAMP LIFTER SHAFT	
10	012060636	1	螺钉 M6X6	SET SCREW SOCKET (FT) M6X6	
11	048080142	1	轴用挡圈 C8	RETAINING RING EXTERNAL C8	
12	110367001	1	垫圈 8	WASHER, PLAIN SPECIAL 8	
13	SA3231001	1	紧圈 B	SET SCREW COLLAR,B	
14	012060536	2	螺钉 M6X5	SET SCREW, SOCKET (FT) M6X5	
15	SA4696001	2	连杆	CONNECTING ROD	
16	SA4693001	1	弹簧挂钩轴 A	SPRING HOLDER SHAFT A	
17	SA4697001	2	段螺钉 M5	SHOULDER SCREW M5	
18	SA4694001	1	弹簧挂钩轴 B	SPRING HOLDER SHAFT B	
19	012060636	2	螺钉 M6X6	SET SCREW SOCKET (FT) M6X6	
20	SA4695001	1	弹簧	SPRING LIFT	
21	SA4698001	2	连接板	CONNECTING LINK	
22	SA4700001	2	弹簧挂钩	WORK CLAMP SPRING HOLDER	
23	021500216	2	六角螺母 M5	NUT 2 M5	
24	SA4701001	2	弹簧	WORK CLAMP SPRING	
25	SA4702001	1	压脚臂杆 R	WORK CLAMP LIFTER LEVER R	
26	SA4703001	1	压脚臂杆 L	WORK CLAMP LIFTER LEVER L	
27	SA4692001	1	压脚臂杆轴	WORK CLAMP LIFTER SHAFT	
28	012060636	1	螺钉 M6X6	SET SCREW SOCKET (FT) M6X6	
29	048080142	1	轴用挡圈 C8	RETAINING RING EXTERNAL C8	
30	110367001	1	垫圈 8	WASHER, PLAIN SPECIAL 8	
31	SA3231001	1	紧圈 B	SET SCREW COLLAR,B	
32	012060536	2	螺钉 M6X5	SET SCREW, SOCKET (FT) M6X5	
33	SA4699001	2	定位	STOPPER	
34	018500836	4	螺栓 M5X8	BOLT SOCKET M5X8	
35	025050236	4	平垫圈 M5	WASHER PLAIN M 5	
36	028050246	4	弹簧垫圈 2-5	WASHER SPRING 2-5	
37	SA4863001	1	压脚导向组件 A	WORK CLAMP GUIDE A ASSY	
38	S23849001	2	螺钉 M4X16	SCREW, M4X16	
39	SA4864001	2	压脚导向组件 B	WORK CLAMP GUIDE B ASSY	
40	S55482001	4	螺栓(带垫圈) M4X14	BOLT, SOCKET (S/P WASHER)M4X14	
41	SA4712001	1	压脚滑块组件 R	WORK CLAMP SLIDER ASSY R	
42	SA4714001	1	压脚滑块组件 L	WORK CLAMP SLIDER ASSY L	
43	SA4706101	4	压脚挡板组件	WORK CLAMP RETAINER ASSY	
44	SA4708001	1	压脚	WORK CLAMP	
45	S55485001	2	螺栓(带垫圈) M5X12	BOLT, SOCKET (S/P WASHER)M5X12	
46	012501031	2	螺钉 M5X10	SET SCREW SOCKET (FT) M5X10	
47	021500216	2	六角螺母 M5	NUT 2 M5	
48	SA4709001	2	定位段螺钉	SHOULDER SCREW	
49	SA4866101	1	压板组件 311	WORK CLAMP 311 ASSY	
50	S55484002	2	螺栓(带垫圈) M5X10	BOLT, SOCKET (S/P WASHER)M5X10	
51	017501616	4	螺栓 M5X16	BOLT M5X16	
52	025050236	4	平垫圈 M5	WASHER PLAIN M 5	
53	028050246	4	弹簧垫圈 2-5	WASHER SPRING 2-5	
54	SA4715001	1	送料板 311G	FEED PLATE 311G	
55	S55484002	2	螺栓(带垫圈) M5X10	BOLT, SOCKET (S/P WASHER)M5X10	

# C4 . 送料装置 / Feed mechanism

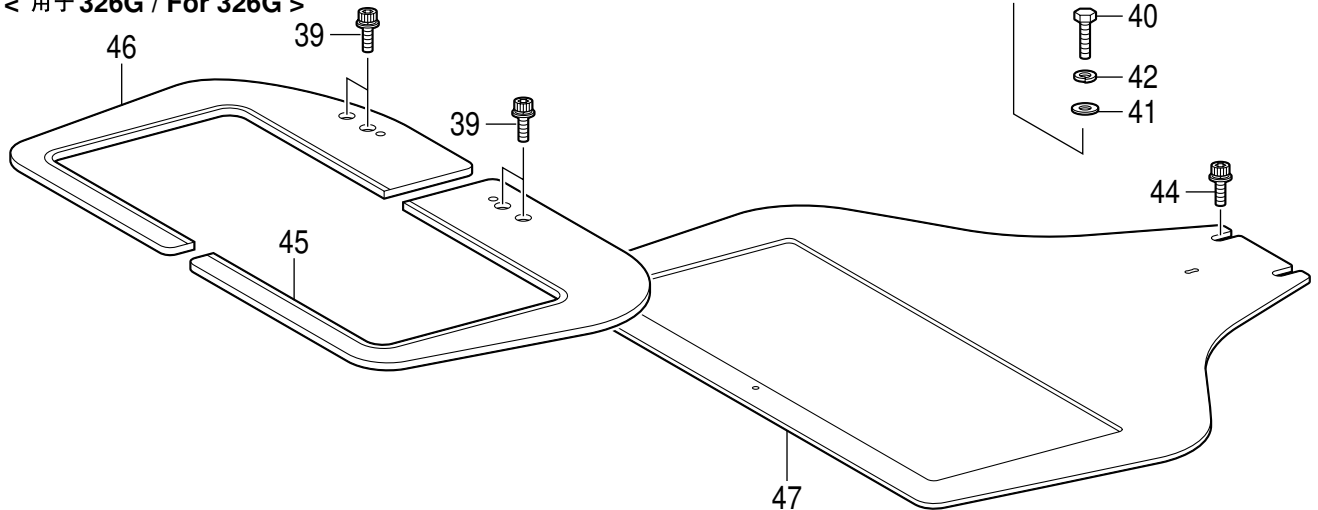
< 空压式 / For Pneumatic type >



< 用于 311G / For 311G >



< 用于 326G / For 326G >

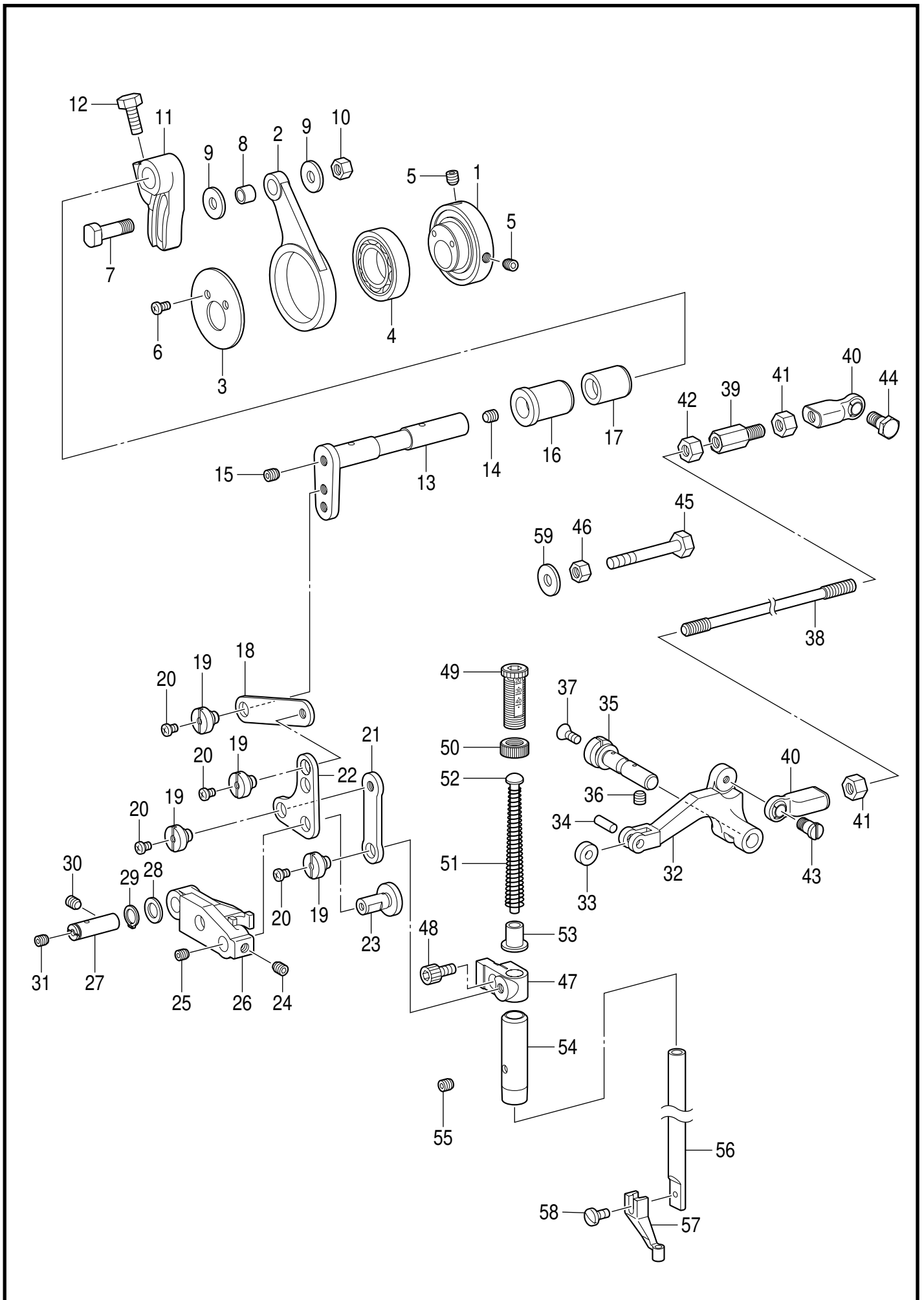


C4. 送料装置 / Feed mechanism

参照号	零部件序号	数量	零部件名称	NAME OF PARTS	RM
			<b>&lt;空压式&gt;</b>	<b>&lt;For Pneumatic type&gt;</b>	
1	SA4686101	1	压脚臂	WORK CLAMP	
2	SA4717001	1	气缸轴	CYLINDER SHAFT	
3	012060636	2	螺钉 <b>M6X6</b>	SET SCREW SOCKET (FT) M6X6	
5	SA4719001	2	气缸组件 <b>R</b>	AIR CYLINDER ASSY	
6	048050142	2	轴用挡圈 <b>C5</b>	RETAINING RING EXTERNAL C5	
7	SA4720001	2	气缸接头	CYLINDER JOINT	
8	SA4721001	2	气缸接头轴	CYLINDER JOINT SHAFT	
9	048060142	4	轴用挡圈 <b>C6</b>	RETAINING RING EXTERNAL C6	
10	SA4722001	1	压脚柄 <b>R(气压)</b>	WORK CLAMP LIFTER LEVER R AIR	
11	SA4723001	1	压脚柄 <b>L(气压)</b>	WORK CLAMP LIFTER LEVER L AIR	
12	SA4724001	2	压脚臂杆(气压)	WORK CLAMP LIFTER SHAFT AIR	
13	S55479001	2	螺拴(带垫圈) <b>M4X8</b>	BOLT, SOCKET (S/P WASHER) M4X8	
14	SA4692001	1	压脚臂杆轴	WORK CLAMP LIFTER SHAFT	
15	012060636	1	螺钉 <b>M6X6</b>	SET SCREW SOCKET (FT) M6X6	
16	048080142	1	轴用挡圈 <b>C8</b>	RETAINING RING EXTERNAL C8	
17	110367001	1	垫圈 <b>8</b>	WASHER, PLAIN SPECIAL 8	
18	SA3231001	1	紧圈 <b>B</b>	SET SCREW COLLAR,B	
19	012060536	2	螺钉 <b>M6X5</b>	SET SCREW, SOCKET (FT) M6X5	
20	SA4863001	1	压脚导向组件 <b>A</b>	WORK CLAMP GUIDE A ASSY	
21	S23849001	2	螺钉 <b>M4X16</b>	SCREW, M4X16	
22	SA4864001	2	压脚导向组件 <b>B</b>	WORK CLAMP GUIDE B ASSY	
23	S55482001	4	螺拴(带垫圈) <b>M4X14</b>	BOLT, SOCKET (S/P WASHER)M4X14	
24	SA4712001	1	压脚滑块组件 <b>R</b>	WORK CLAMP SLIDER ASSY R	
25	SA4714001	1	压脚滑块组件 <b>L</b>	WORK CLAMP SLIDER ASSY L	
26	SA4706101	4	压脚挡板组件	WORK CLAMP RETAINER ASSY	
27	SA4725001	1	压脚 <b>R</b>	WORK CLAMP R	
28	S55485001	1	螺拴(带垫圈) <b>M5X12</b>	BOLT, SOCKET (S/P WASHER)M5X12	
29	012501031	2	螺钉 <b>M5X10</b>	SET SCREW SOCKET (FT) M5X10	
30	021500216	2	六角螺母 <b>M5</b>	NUT 2 M5	
31	SA4709001	2	定位段螺钉	SHOULDER SCREW	
32	SA4726001	1	压脚 <b>L</b>	WORK CLAMP L	
33	S55485001	1	螺拴(带垫圈) <b>M5X12</b>	BOLT, SOCKET (S/P WASHER)M5X12	
34	012501031	2	螺钉 <b>M5X10</b>	SET SCREW SOCKET (FT) M5X10	
35	021500216	2	六角螺母 <b>M5</b>	NUT 2 M5	
36	SA4709001	2	定位段螺钉	SHOULDER SCREW	
			<b>&lt;用于311G&gt;</b>	<b>&lt;For 311G&gt;</b>	
37	SA4868101	1	压板组件 <b>311R</b>	WORK CLAMP 311R ASSY	
38	SA4869101	1	压板组件 <b>311L</b>	WORK CLAMP 311L ASSY	
39	S55484002	4	螺拴(带垫圈) <b>M5X10</b>	BOLT, SOCKET (S/P WASHER)M5X10	
40	017501616	4	螺拴 <b>M5X16</b>	BOLT M5X16	
41	025050236	4	平垫圈 <b>M5</b>	WASHER PLAIN M 5	
42	028050246	4	弹簧垫圈 <b>2-5</b>	WASHER SPRING 2-5	
43	SA4715001	1	送料板 <b>311G</b>	FEED PLATE 311G	
44	S55484002	2	螺拴(带垫圈) <b>M5X10</b>	BOLT, SOCKET (S/P WASHER)M5X10	
			<b>&lt;用于326G&gt;</b>	<b>&lt;For 326G&gt;</b>	
45	SA4870101	1	压脚板组件 <b>326R</b>	WORK CLAMP 326R ASSY	
46	SA4871101	1	压脚板组件 <b>326L</b>	WORK CLAMP 326L ASSY	
39	S55484002	4	螺拴(带垫圈) <b>M5X10</b>	BOLT, SOCKET (S/P WASHER)M5X10	
40	017501616	4	螺拴 <b>M5X16</b>	BOLT M5X16	
41	025050236	4	平垫圈 <b>M5</b>	WASHER PLAIN M 5	
42	028050246	4	弹簧垫圈 <b>2-5</b>	WASHER SPRING 2-5	
44	S55484002	2	螺拴(带垫圈) <b>M5X10</b>	BOLT, SOCKET (S/P WASHER)M5X10	
47	SA4852001	1	送料板 <b>326G</b>	FEED PLATE 326G	

BAS-311G/326G-202

D1 . 抬压装置 / Work clamp lifter mechanism



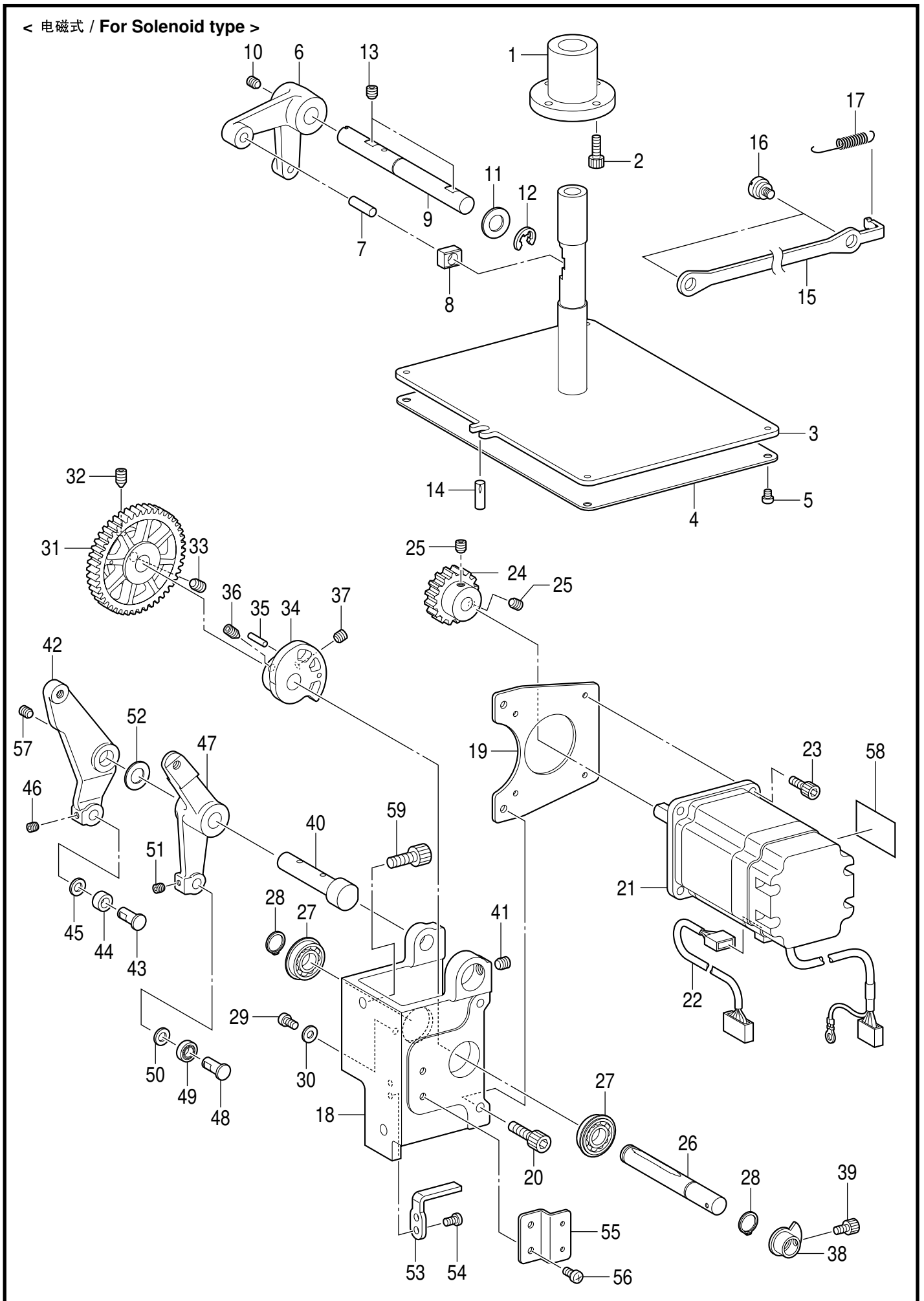
BAS-311G/326G-204

D1. 抬压装置 / Work clamp lifter mechanism

参照号	零部件序号	数量	零部件名称	NAME OF PARTS	RM
1	SA4759001	1	凸轮	STEPPING CLAMP CAM	
2	SA4760001	1	连杆	STEPPING CLAMP CON.ROD	
3	SA4763001	1	垫圈	WASHER STEPPING CLAMP CAM	
4	623033000	1	轴承 6805VV	BALL BEARING, 6805VV	
5	S23651001	2	固定螺钉 M6X6	SET SCREW, SOCKET (FT) M6X6	
6	062400616	2	螺钉 M4X6	SCREW PAN M4X6	
7	SA4761001	1	滚轮轴	ROLLER SHAFT STEPPING CLAMP	
8	SA4762001	1	滚轮	ROLLER STEPING CLAMP	
9	SA4302001	2	垫圈	WASHER	
10	021060106	1	螺母 M6	NUT 1 M6	
11	SA4764001	1	压臂 R	STEPPING CLAMP ARM R	
12	017061216	1	螺栓 M6X12	BOLT M6X12	
13	SA4765001	1	压臂 F	STEPPING CLAMP ARM F	
14	012060636	1	螺钉 M6X6	SET SCREW SOCKET (FT) M6X6	
15	S23651001	1	固定螺钉 M6X6	SET SCREW, SOCKET (FT) M6X6	
16	SA4766001	1	压臂轴套 F	BUSH STEPPING CLAMP F	
17	SA4767001	1	压臂轴套 R	BUSH STEPPING CLAMP R	
18	SA4768001	1	间歇连杆 A	BUSH STEPPING CLAMP R	
19	SA4769001	4	段螺钉 6	SHOULDER SCREW 6	
20	062300416	4	螺钉 M3X4	SCREW, PAN M3X4	
21	SA4770001	1	间歇连杆 B	STEPPING CLAMP LINK B	
22	SA4772001	1	间歇连杆	STEPPING CLAMP LINK	
23	SA4773001	1	连杆轴	SHAFT STEPPING CLAMP LINK	
24	012060636	1	螺钉 M6X6	SET SCREW SOCKET (FT) M6X6	
25	012400436	1	螺钉 M4X4	SET SCREW SOCKET (FT) M4X4	
26	SA4777001	1	联接板	STEPPING CLAMP LIFTER LINK	
27	SA4771001	1	联接板轴	SHAFT STEPPING CLAMP LIFT LINK	
28	SA2161001	1	垫圈	WASHER	
29	048080142	1	轴用挡圈 C8	RETAINING RING EXTERNAL C8	
30	012060636	1	螺钉 M6X6	SET SCREW SOCKET (FT) M6X6	
31	012400436	1	螺钉 M4X4	SET SCREW SOCKET (FT) M4X4	
32	SA4779001	1	间歇提升杆	STEPPING CLAMP LIFTER	
33	SA4781001	1	提升杆滑轮	ROLLER STEPPING CLAMP LIFTER	
34	141362001	1	滚轮	ROLLER	
35	SA4780001	1	提升杆轴	SHAFT STEPPING CLAMP LIFTER	
36	012060636	1	螺钉 M6X6	SET SCREW SOCKET (FT) M6X6	
37	S25310101	1	螺钉 M4	SCREW, FLAT M4	
38	SA4775001	1	提升连杆	STEPPING CLAMP LIFTER ROD	
39	SA4853001	1	提升连杆接头	JOINT STEPPING CLAMP LIFTER	
40	SA2663001	2	接头组件 R	BALL JOINT ASSY	
41	021060306	2	六角螺母 M6	NUT 3 M6	
42	SA3227001	1	螺母 M6	NUT(FT),M6	
43	SA4776001	1	段螺钉	SHOULDER SCREW	
44	S32462001	1	段螺钉 B M6	SHOULDER SCREW, B ;M6	
45	017065002	1	螺栓 M6X50	BOLT M6X50	
46	021060106	1	螺母 M6	NUT 1 M6	
47	SA4778001	1	压紧杆接头	PRESSER BAR CLAMP	
48	018400836	1	螺栓 M4X8	BOLT SOCKET M4X8	
49	SA1174001	1	调节螺栓 M14	PRESSER ADJUSTING SCREW, M14	
50	SA1175001	1	调节螺母 M14	ADJUST SCREW NUT	
51	SA5300001	1	弹簧	PRESSER BAR SPRING	
52	S10112001	1	弹簧导向	PRESSER BAR SPRING GUIDE	
53	SA5301001	1	弹簧管套	COLLAR PRESSER BAR SPRING	
54	SA2195001	1	压紧杆轴套	PRESSER BAR BUSH	
55	012060536	1	螺钉 M6X5	SET SCREW SOCKET (FT) M6X5	
56	111466101	1	压紧杆	PRESSER BAR	
57	* P. 67	1	压脚	WORK CLAMP	
58	S13399001	1	螺钉 SM3.57X12	SCREW, SM3.57X12	
59	151439102	1	垫圈	WASHER	

D2 . 抬压装置 / Work clamp lifter mechanism

< 电磁式 / For Solenoid type >



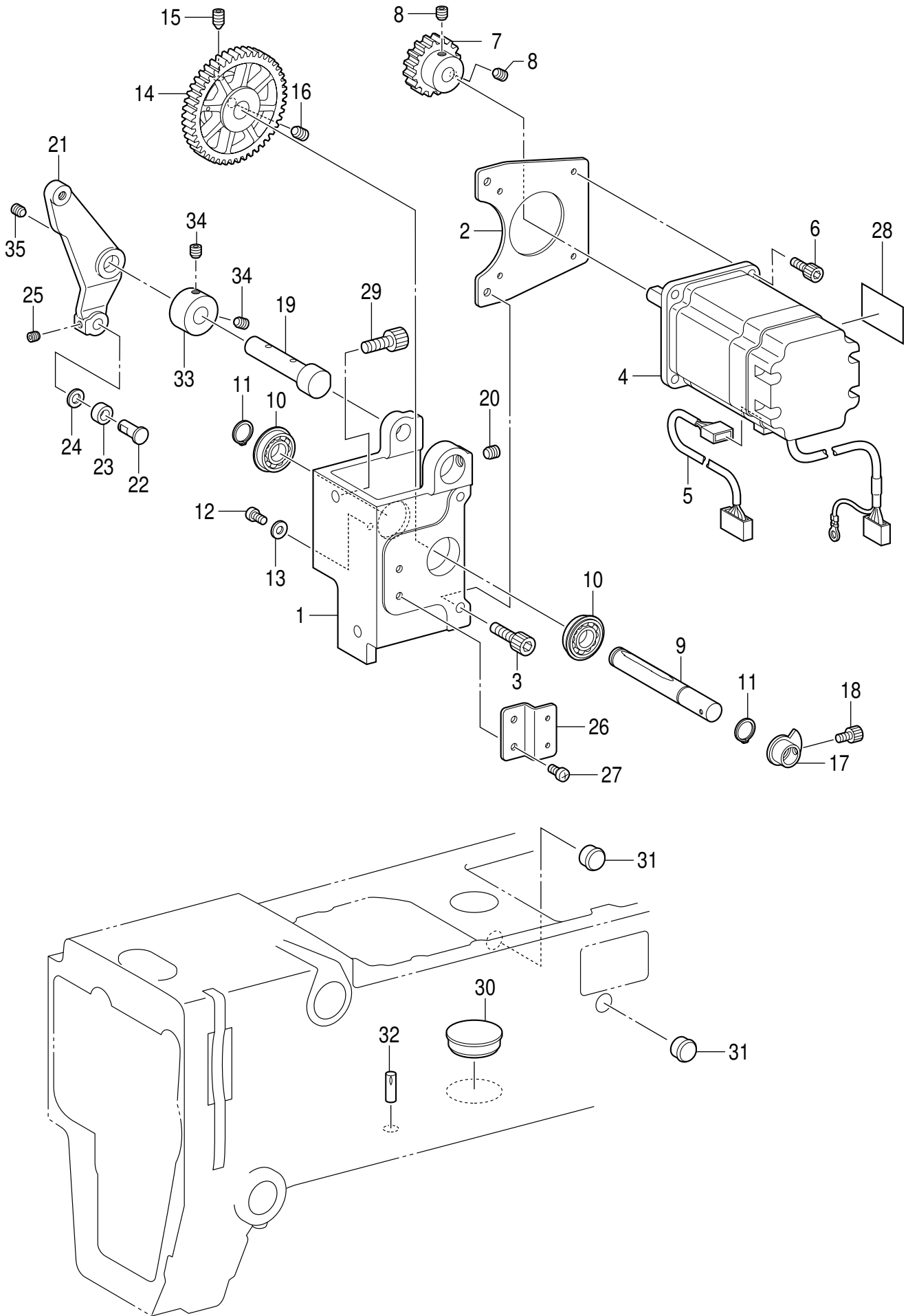
BAS-311G/326G-204

D2. 抬压装置 / Work clamp lifter mechanism

参照号	零部件序号	数量	零部件名称	NAME OF PARTS	RM
			<电磁式>	<For Solenoid type>	
1	SA4729001	1	滑杆轴套	SLIDE BUSH	
2	018401036	4	螺栓 M4X10	BOLT SOCKET M4X10	
3	SA4731001	1	压脚提升板组件	WORK CLAMP LIFTER PLATE ASSY	
4	SA4734001	1	底座板 E	SEAT E	
5	062400416	4	螺钉 M4X4	SCREW, PAN M4X4	
6	SA4736001	1	压脚提升杆	WORK CLAMP LIFTER LEVER	
7	152744001	1	销	PIN	
8	102630001	1	针杆接头滑块	NEEDLE BAR GUIDE SLIDE BLOCK	
9	SA4737001	1	提升杆轴 B	WORK CLAMP LEVER SHAFT B	
10	012060636	1	螺钉 M6X6	SET SCREW SOCKET (FT) M6X6	
11	S20356001	1	平垫圈 10	WASHER, PLAIN 10	
12	048080342	1	挡圈 E8	RETAINING RING E8	
13	012060636	2	螺钉 M6X6	SET SCREW SOCKET (FT) M6X6	
14	118208001	1	带槽销	DOWEL PIN	
15	SA4738001	1	压脚提升杆	WORK CLAMP LIFTER LINK	
16	SA3438001	2	段螺钉	LINK SHOULDER SCREW	
17	SA4739001	1	弹簧	WORK CLAMP SPRING	
18	SA4741101	1	马达座	MOTOR BRACKET	
19	SA4742001	1	压脚马达板	WORK CLAMP MOTOR PLATE	
20	018501036	2	螺栓 M5X10	BOLT SOCKET M5X10	
21	SA4826201	1	脉冲马达组件 P	PULSE MOTOR ASSY P	
22	SA4828001	1	马达端线 P	MOTOR HARNESS P	
23	018401036	4	螺栓 M4X10	BOLT SOCKET M4X10	
24	SA4743001	1	驱动齿轮	WORK CLAMP DRIVING GEAR	
25	012060636	2	螺钉 M6X6	SET SCREW SOCKET (FT) M6X6	
26	SA4744001	1	压脚支点轴	WORK CLAMP FULCRUM SHAFT	
27	SA4647001	2	球轴承 6900ZZNR	BALL BEARING 6900ZZNR	
28	048100142	2	轴用挡圈 C10	RETAINING RING EXTERNAL C10	
29	062400616	1	螺钉 M4X6	SCREW PAN M4X6	
30	025040236	1	平垫圈 M4	WASHER PLAIN M 4	
31	SA4745001	1	凸轮齿轮	WORK CLAMP CAM GEAR	
32	016061031	1	螺钉 M6X10	SET SCREW SOCKET (CN) M6X10	
33	012060636	1	螺钉 M6X6	SET SCREW SOCKET (FT) M6X6	
34	SA4746001	1	压脚凸轮	WORK CLAMP CAM	
35	S35079000	1	滚针 3X11.8	NEEDLE ROLLER, 3X11.8	
36	016061031	1	螺钉 M6X10	SET SCREW SOCKET (CN) M6X10	
37	012060636	1	螺钉 M6X6	SET SCREW SOCKET (FT) M6X6	
38	SA4747001	1	压脚原点挡块	WORK CLAMP H-POSITION DOG	
39	018400636	1	螺栓 M4X6	BOLT SOCKET M4X6	
40	SA4748001	1	压脚柄轴	WORK CLAMP LEVER SHAFT	
41	012060636	1	螺钉 M6X6	SET SCREW SOCKET (FT) M6X6	
42	SA6210001	1	间歇驱动杆	STEPPING W-CLAMP DRIVING LEVER	
43	SA3441001	1	抬压滚轮轴	W-CLAMP LIFTER ROLLER SHAFT	
44	070696800	1	轴承 R-696ZZ	BALL BEARING RADIAL 696ZZ	
45	109763001	1	垫圈	WASHER	
46	012500536	1	螺钉 M5X5	SET SCREW SOCKET (FT) M5X5	
47	SA4750001	1	压脚驱动杆	WORK CLAMP DRIVING SHAFT	
48	SA3441001	1	抬压滚轮轴	W-CLAMP LIFTER ROLLER SHAFT	
49	070696800	1	轴承 R-696ZZ	BALL BEARING RADIAL 696ZZ	
50	109763001	1	垫圈	WASHER	
51	012500536	1	螺钉 M5X5	SET SCREW SOCKET (FT) M5X5	
52	S20356001	1	平垫圈 10	WASHER, PLAIN 10	
53	SA4752001	1	凸轮定位	WORK CLAMP CAM STOPPER	
54	062400616	2	螺钉 M4X6	SCREW PAN M4X6	
55	SA4753001	1	压脚传感器板	WORK CLAMP SENSOR PLATE	
56	062400616	2	螺钉 M4X6	SCREW PAN M4X6	
57	012060636	1	螺钉 M6X6	SET SCREW SOCKET (FT) M6X6	
58	SA4224001	1	注意符号 30X40	MARK,ATTENTION 30X40	
59	018061236	2	螺栓 M6X12	BOLT SOCKET M6X12	

D3 . 抬压装置 / Work clamp lifter mechanism

< 空压式 / For Pneumatic type >

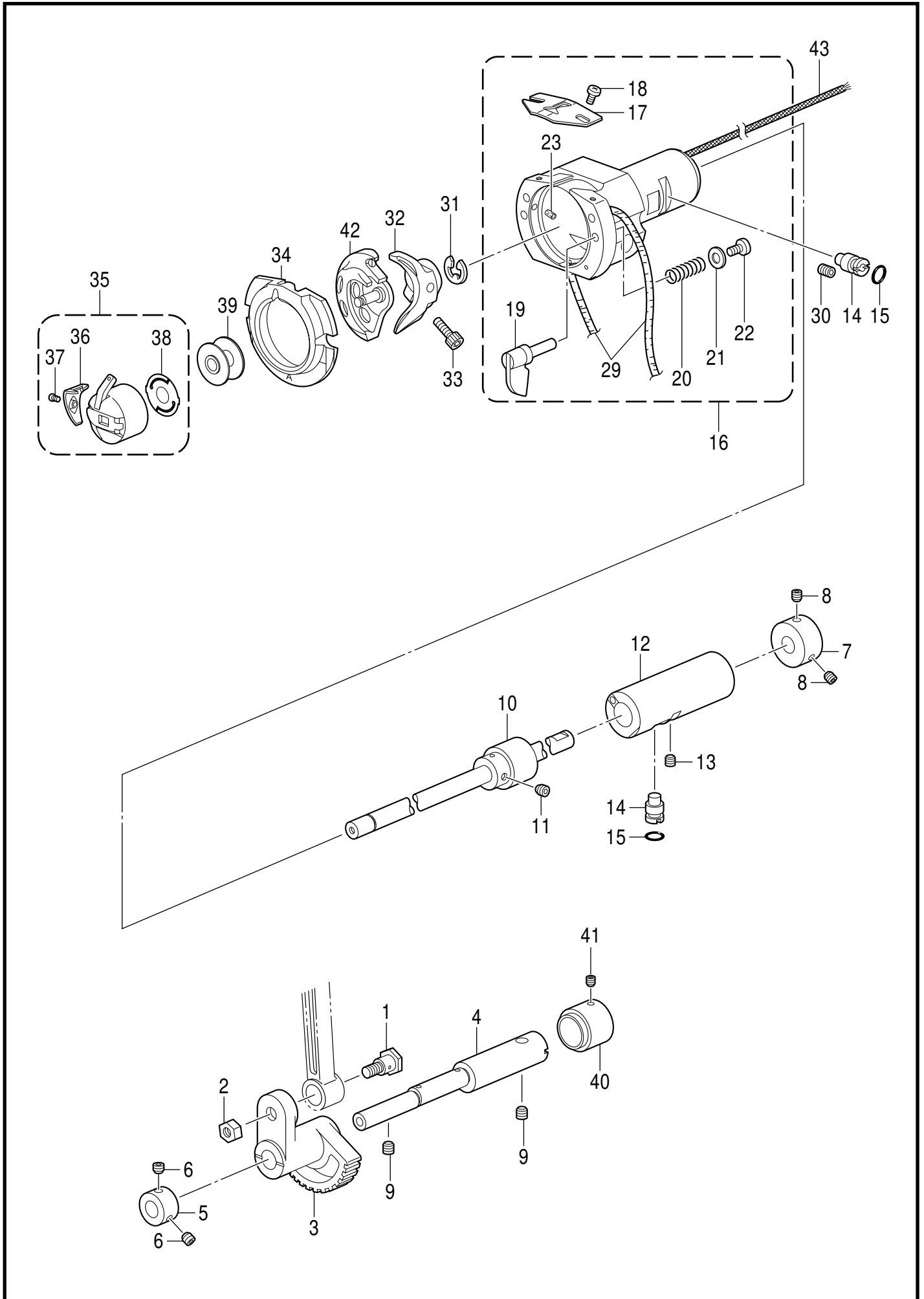




D3. 抬压装置 / Work clamp lifter mechanism

参照号	零部件序号	数量	零部件名称	NAME OF PARTS	RM
			<b>&lt;空压式&gt;</b>	<b>&lt;For Pneumatic type&gt;</b>	
1	SA4741101	1	马达座	MOTOR BRACKET	
2	SA4742001	1	压脚马达板	WORK CLAMP MOTOR PLATE	
3	018501036	2	螺栓 <b>M5X10</b>	BOLT SOCKET M5X10	
4	SA4826201	1	脉冲马达组件 <b>P</b>	PULSE MOTOR ASSY P	
5	SA4828001	1	马达端线 <b>P</b>	MOTOR HARNESS P	
6	018401036	4	螺栓 <b>M4X10</b>	BOLT SOCKET M4X10	
7	SA4743001	1	驱动齿轮	WORK CLAMP DRIVING GEAR	
8	012060636	2	螺钉 <b>M6X6</b>	SET SCREW SOCKET (FT) M6X6	
9	SA4744001	1	压脚支点轴	WORK CLAMP FULCRUM SHAFT	
10	SA4647001	2	球轴承 <b>6900ZZNR</b>	BALL BEARING 6900ZZNR	
11	048100142	2	轴用挡圈 <b>C10</b>	RETAINING RING EXTERNAL C10	
12	062400616	1	螺钉 <b>M4X6</b>	SCREW PAN M4X6	
13	025040236	1	平垫圈 <b>M4</b>	WASHER PLAIN M 4	
14	SA4745001	1	凸轮齿轮	WORK CLAMP CAM GEAR	
15	016061031	1	螺钉 <b>M6X10</b>	SET SCREW SOCKET (CN) M6X10	
16	012060636	1	螺钉 <b>M6X6</b>	SET SCREW SOCKET (FT) M6X6	
17	SA4747001	1	压脚原点挡块	WORK CLAMP H-POSITION DOG	
18	018400636	1	螺栓 <b>M4X6</b>	BOLT SOCKET M4X6	
19	SA4748001	1	压脚柄轴	WORK CLAMP LEVER SHAFT	
20	012060636	1	螺钉 <b>M6X6</b>	SET SCREW SOCKET (FT) M6X6	
21	SA6210001	1	间歇驱动杆	STEPPING W-CLAMP DRIVING LEVER	
22	SA3441001	1	抬压滚轮轴	W-CLAMP LIFTER ROLLER SHAFT	
23	070696800	1	轴承 <b>R-696ZZ</b>	BALL BEARING RADIAL 696ZZ	
24	109763001	1	垫圈	WASHER	
25	012500536	1	螺钉 <b>M5X5</b>	SET SCREW SOCKET (FT) M5X5	
26	SA4753001	1	压脚传感器板	WORK CLAMP SENSOR PLATE	
27	062400616	2	螺钉 <b>M4X6</b>	SCREW PAN M4X6	
28	SA4224001	1	注意符号 <b>30X40</b>	MARK,ATTENTION 30X40	
29	018061236	2	螺栓 <b>M6X12</b>	BOLT SOCKET M6X12	
30	159163000	1	橡皮塞 <b>29</b>	RUBBER CAP 29	
31	104821001	2	橡皮塞 <b>10.5</b>	RUBBER CAP, 10.5	
32	118550001	1	带槽销	PIN DOWEL	
33	SA4757101	1	紧圈	SET SCREW COLLAR	
34	012060636	2	螺钉 <b>M6X6</b>	SET SCREW SOCKET (FT) M6X6	
35	012060636	1	螺钉 <b>M6X6</b>	SET SCREW SOCKET (FT) M6X6	

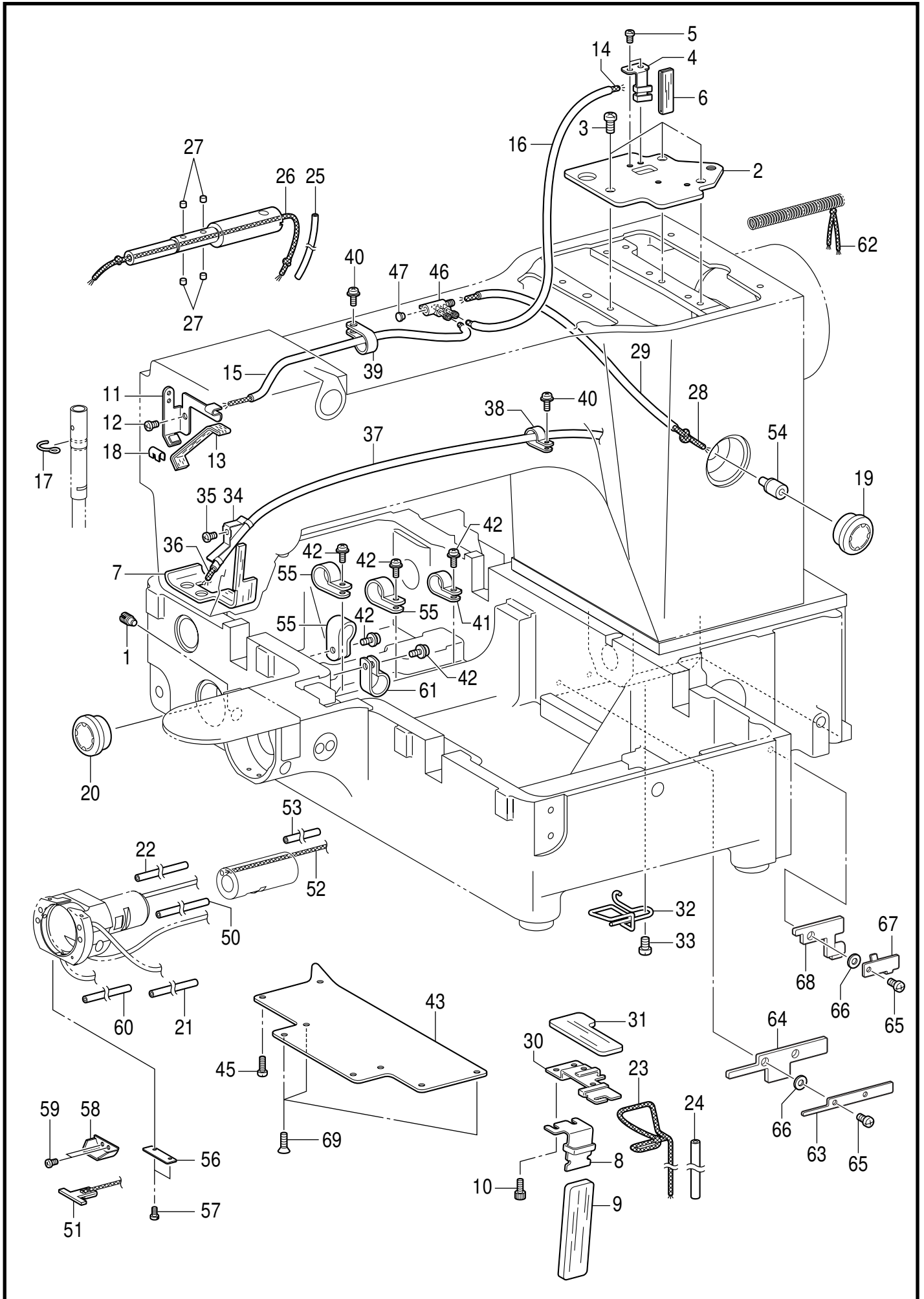
E . 下轴装置 / Lower shaft mechanism



## E. 下轴装置 / Lower shaft mechanism

参照号	零部件序号	数量	零部件名称	NAME OF PARTS	RM
1	SA3226001	1	段螺钉	SHOULDER SCREW	
2	SA3227001	1	螺母 M6	NUT(FT),M6	
3	SA3228101	1	摆动齿轮	ROCK GEAR	
4	SA4782001	1	摆动齿轮轴	ROCK GEAR SHAFT	
5	SA3231001	1	紧圈 B	SET SCREW COLLAR,B	
6	012060536	2	螺钉 M6X5	SET SCREW, SOCKET (FT) M6X5	
7	SA3233001	1	紧圈	SET SCREW COLLAR	
8	S23651001	2	固定螺钉 M6X6	SET SCREW, SOCKET (FT) M6X6	
9	012060636	2	螺钉 M6X6	SET SCREW SOCKET (FT) M6X6	
10	SA4783101	1	下轴组件	LOWER SHAFT ASSY	
11	012500536	1	螺钉 M5X5	SET SCREW SOCKET (FT) M5X5	
12	SA6216001	1	下轴轴套	LOWER SHAFT BUSH	
13	012060636	1	螺钉 M6X6	SET SCREW SOCKET (FT) M6X6	
14	SA3238101	2	旋梭调节轴	ADJUSTING STUD	
15	081003670	2	O形圈 PW3	O RING PW3	
16	SA6220001	1	大旋梭基座组件 G	SHUTTLE RACE BASE ASSY G	
17	S02429201	1	旋梭线导向	SHUTTLE RACE THREAD GUIDE	
18	SA4199001	2	螺钉 M3X4	SCREW M3X4	
19	SA3241001	2	大旋梭固定柄	S-RACE BASE SETTING CLAW	
20	152684101	2	弹簧	COMPRESSION SPRING	
21	026030136	2	平垫圈 S3	WASHER PLAIN S 3	
22	062300616	2	螺钉 M3X6	SCREW PAN M3X6	
23	153050000	2	油毡	S-RACE BASE FELT	
29	S59886001	2	油毡 L=360	FELT, L=360	
30	012060636	1	螺钉 M6X6	SET SCREW SOCKET (FT) M6X6	
31	048070342	1	挡圈 E7	RETAINING RING E7	
32	SA3284101	1	梭托 D	DRIVER,D	
33	018501232	1	螺栓 M5X12	BOLT SOCKET M5X12	
34	* P. 66	1	外旋梭	SHUTTLE RACE BASE	
35	* P. 66	1	梭芯套组件	BOBBIN CASE ASSY	
36	* P. 66	1	调节弹簧	TENSION SPRING	
37	* P. 66	1	螺钉	SCREW	
38	* P. 66	1	防空转弹簧	ANTI-SPIN SPRING	
39	* P. 66	1	梭芯	BOBBIN	
40	SA3283101	1	紧圈 R	SET SCREW COLLAR,R	
41	012500536	1	螺钉 M5X5	SET SCREW SOCKET (FT) M5X5	
42	* P. 66	1	中旋梭	SHUTTLE HOOK	
43	S32557000	1	油线 4X4 L=330	WICK, 4X4 L=330	

F. 供油润滑装置 / Lubrication

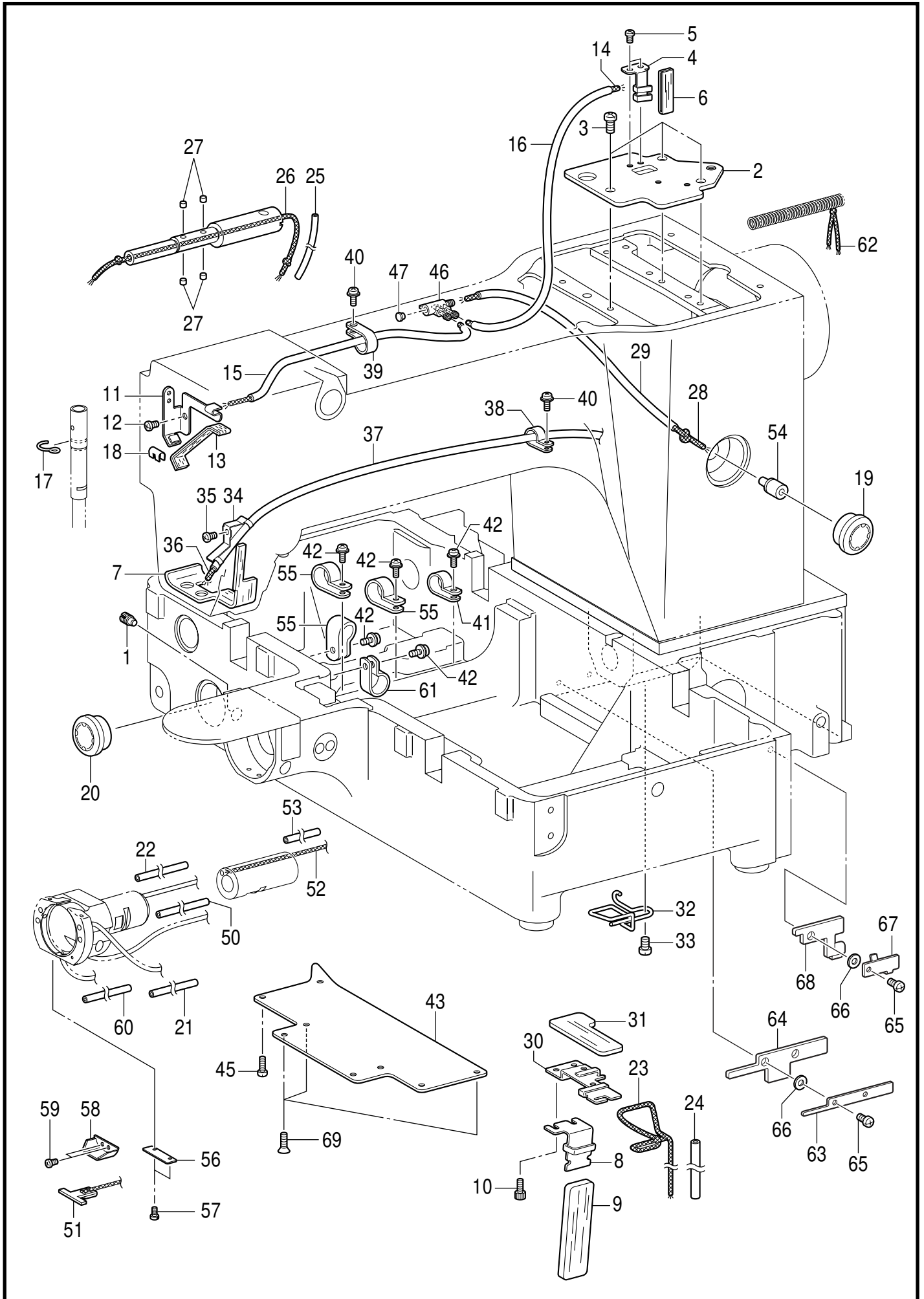


BAS-311G/326G-350

F. 供油润滑装置 / Lubrication

参照号	零部件序号	数量	零部件名称	NAME OF PARTS	RM
1	SA3244001	1	螺钉	SET SCREW	
2	SA4785001	1	曲柄盖	CRANK COVER	
3	062061016	3	螺钉 <b>M6X10</b>	SCREW PAN M6X10	
4	SA4787001	1	曲柄供油板	CRANK WICK PLATE	
5	062400616	2	螺钉 <b>M4X6</b>	SCREW PAN M4X6	
6	SA5294001	1	毡油线 <b>L=90</b>	FLAT WICK L=90	
7	SA4786101	1	油毡	FELT	
8	SA3503201	1	下轴给油支架	LOWER SHAFT WICK SUPPORT	
9	SA3504201	1	下轴齿轮油毡	LOWER SHAFT GEAR FELT	
10	018400636	2	螺栓 <b>M4X6</b>	BOLT SOCKET M4X6	
11	SA4788001	1	供油支架	WICK SUPPORT	
12	062400616	1	螺钉 <b>M4X6</b>	SCREW PAN M4X6	
13	SA6593001	1	毡油线 <b>L=180</b>	FLAT WICK, L=180	
14	SA6580001	1	油线 <b>L=780</b>	WICK L=780	
15	S07459100	1	油管 <b>L=240</b>	OIL TUBE, L=240	
16	SA6576001	1	油管 <b>L=210</b>	OIL TUBE, L=210	
17	SA6087001	1	油线挂钩	WICK SUPPORT	
18	104567101	1	油线支架	WICK SUPPORT	
19	S49992000	1	油视窗	OIL GAUGE WINDOW	
20	152948001	1	油视窗	OIL GAUGE WINDOW	
21	S50529000	1	油管 <b>L=320</b>	OIL TUBE, L=320	
22	S07459100	1	油管 <b>L=240</b>	OIL TUBE, L=240	
23	SA5292101	1	油线 <b>L=680</b>	WICK L=680	
24	S53175000	1	油管 <b>L=450</b>	OIL TUBE, L=450	
25	SA5072001	1	油管 <b>L=120</b>	OIL TUBE L=120	
26	SA6578001	1	油线 <b>6X6 L=300</b>	WICK 6X6 L=300	
27	S09043000	4	油毡	FELT	
28	S49982000	1	油线 <b>4X4 L=400</b>	WICK, 4X4 L=400	
29	S48189000	1	油管 <b>L=280</b>	OIL TUBE, L=280	
30	SA3246001	1	齿轮供油支架	GEAR WICK SUPPORT	
31	SA3280001	1	油毡	GEAR FELT	
32	SA4789101	1	油线夹 <b>B</b>	LOWER SHAFT WICK SUPPORT B	
33	062060816	1	螺钉 <b>M6X8</b>	SCREW PAN M6X8	
34	145547001	1	回油管管托	TUBE HOLDER	
35	062400616	1	螺钉 <b>M4X6</b>	SCREW PAN M4X6	
36	S49957000	1	油线 <b>4X4 L=700</b>	WICK, 4X4 L=700	
37	SA4791101	1	油管 <b>L=620</b>	OIL TUBE L=620	
38	149547000	1	压线板	CORD HOLDER, 4N	
39	525567000	1	电线夹 <b>#8</b>	CORD HOLDER, #8	
40	0A5401006	2	螺栓(带垫圈) <b>M4X10DB</b>	SCREW PAN (S/P WASHER) M4X10	
41	525664000	1	电线夹 <b>#6</b>	CORD HOLDER, #6	
42	0A5401006	5	螺栓(带垫圈) <b>M4X10DB</b>	SCREW PAN (S/P WASHER) M4X10	
43	SA6211001	1	油盖	OIL COVER	
45	062401016	5	螺钉 <b>M4X10</b>	SCREW PAN M4X10	
46	S38265000	1	管接头 <b>L</b>	TERMINAL, L	
47	142274101	1	橡皮塞 <b>4.2</b>	RUBBER CAP, 4.2	
50	SA6263001	1	油管 <b>L=320</b>	OIL TUBE L=320	
51	SA6260001	1	油毡组件	FELT ASSY	
52	S00400000	1	油线 <b>2.5X200</b>	WICK, 2.5X200	
53	SA6579001	1	油管 <b>L=110</b>	OIL TUBE, L=110	
54	SA5339101	1	油嘴管	OIL FEEDING PIPE	
55	525567000	3	电线夹 <b>#8</b>	CORD HOLDER, #8	
56	SA3242001	1	油毡支架	FELT HOLDER	
57	S44924001	2	固定螺钉 <b>M3X5.5</b>	SCREW, M3X5.5	
58	SA3274101	1	油毡支架	FELT HOLDER	
59	S47307001	2	螺钉 <b>M3X4</b>	SCREW, M3X4	

F. 供油润滑装置 / Lubrication



BAS-311G/326G-350

F. 供油润滑装置 / Lubrication

参照号	零部件序号	数量	零部件名称	NAME OF PARTS	RM
60	SA6577001	1	油管 L=300	OIL TUBE L=300	
61	552907000	1	电线夹 #10	CORD HOLDER, #10	
62	SA6572001	1	油线 L=140	WICK L=140	
63	SA6581001	1	油毡压板 L	WICK SUPPORT L	
64	SA6583001	1	底板油毡 L	FELT BED L	
65	062400616	3	螺钉 M4X6	SCREW PAN M4X6	
66	028040246	3	弹簧垫圈 2-4	WASHER SPRING 2-4	
67	SA6582001	1	油毡压板 R	WICK SUPPORT R	
68	SA6584001	1	底板油毡 R	FELT BED R	
69	S25310101	3	螺钉 M4	SCREW, FLAT M4	

BAS-311G/326G-350

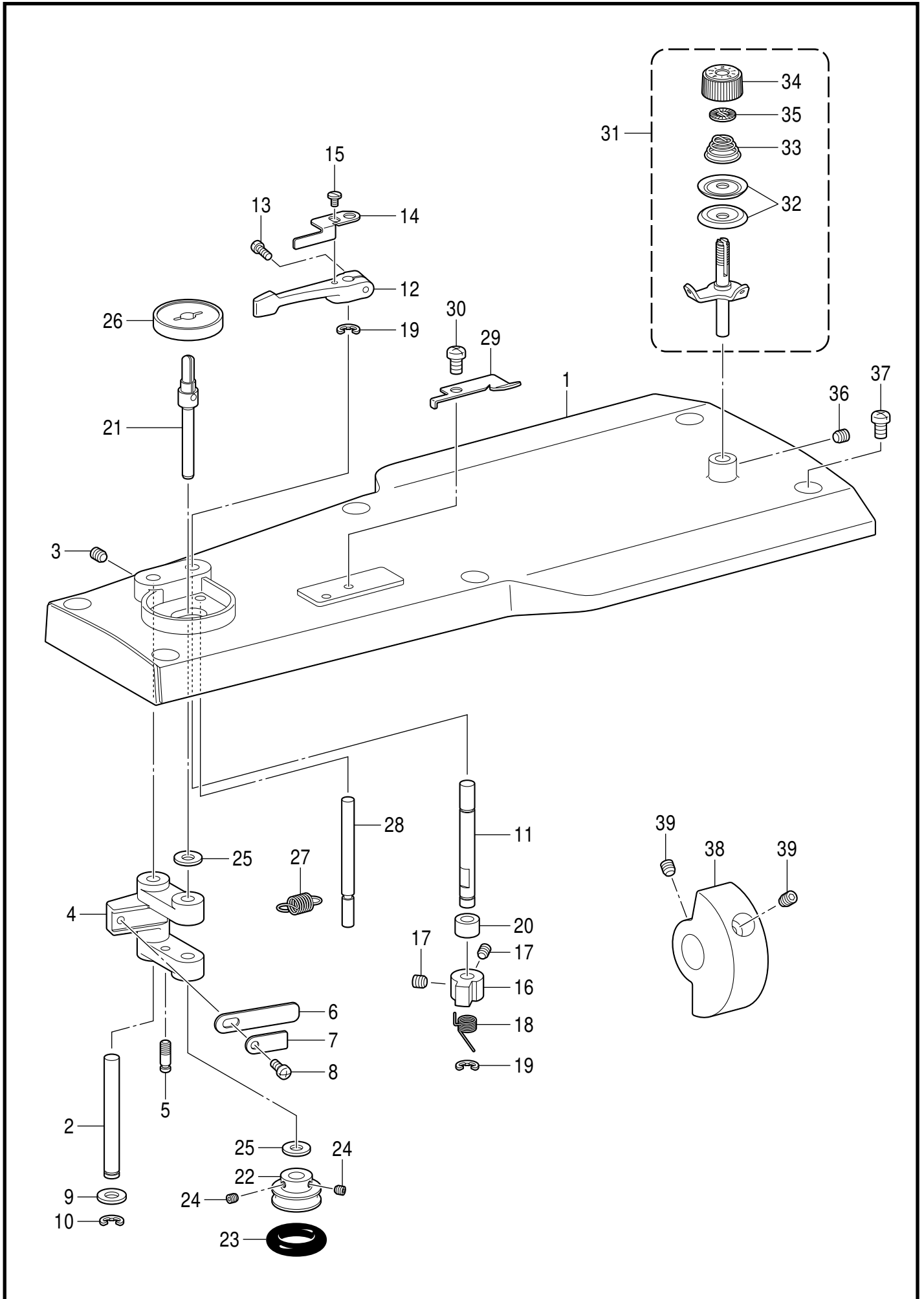




## G. 穿线装置 / Threading mechanism

参照号	零部件序号	数量	零部件名称	NAME OF PARTS	RM
1	SA3250001	1	过线导向 A	ARM THREAD GUIDE,A	
2	062500616	1	螺钉 M5X6	SCREW PAN M5X6	
3	SA4333001	1	过线导向 B	ARM THREAD GUIDE,B	
4	062500616	1	螺钉 M5X6	SCREW PAN M5X6	
5	SA6391001	1	过线器 C	ARM THREAD GUIDE C	
6	062500616	1	螺钉 M5X6	SCREW PAN M5X6	
7	153049001	1	面线导向杆	UPPER THREAD GUIDE STUD	
8	SA3254001	1	夹线座	TENSION BRACKET	
9	* P. 66	1	调节弹簧	THREAD TAKE-UP SPRING	
10	SA3255001	1	夹线杆轴	TENSION STUD	
11	S31032001	1	压线螺母	TENSION NUT	
12	159805001	1	夹线压盘	TENSION DISC PRESSER	
13	145446001	1	夹线盘	DISC, TENSION	
14	100402004	1	固定螺钉 SM3.57	SET SCREW, SM3.57	
15	SA4143001	1	螺钉 M6X6	SET SCREW, (FT) M6X6	
16	S12699000	1	松线销	TENSION RELEASE PIN	
17	SA3256001	1	夹线杆轴 A	TENSION STUD,A	
18	145446001	2	夹线盘	DISC, TENSION	
19	159224001	1	线钩	THREAD GUIDE, ARM	
20	* P. 67	1	针杆线导向	NEEDLE BAR THREAD GUIDE	
21	SA3258001	1	针杆轴套线导向 D	N-BAR BUSH THREAD GUIDE,D	
22	152881001	1	线冷却器组件	NEEDLE COOLER ASSY	
23	012060636	1	螺钉 M6X6	SET SCREW SOCKET (FT) M6X6	
24	152883000	1	油毡 8X15.5	FELT, 8X15.5	
25	152884001	1	过线钩	NEEDLE COOLER THREAD GUIDE	
26	062670412	1	螺钉 SM3.57-40X4	SCREW PAN SM3.57-40X4	
27	100136001	1	夹线螺母	TENSION NUT	
28	SA4146001	1	弹簧	SUB TENSION SPRING	
29	S12441001	1	止动垫圈	WASHER	
30	* P. 66	1	夹线簧	TENSION SPRING	

H. 卷线装置 / Bobbin winder mechanism

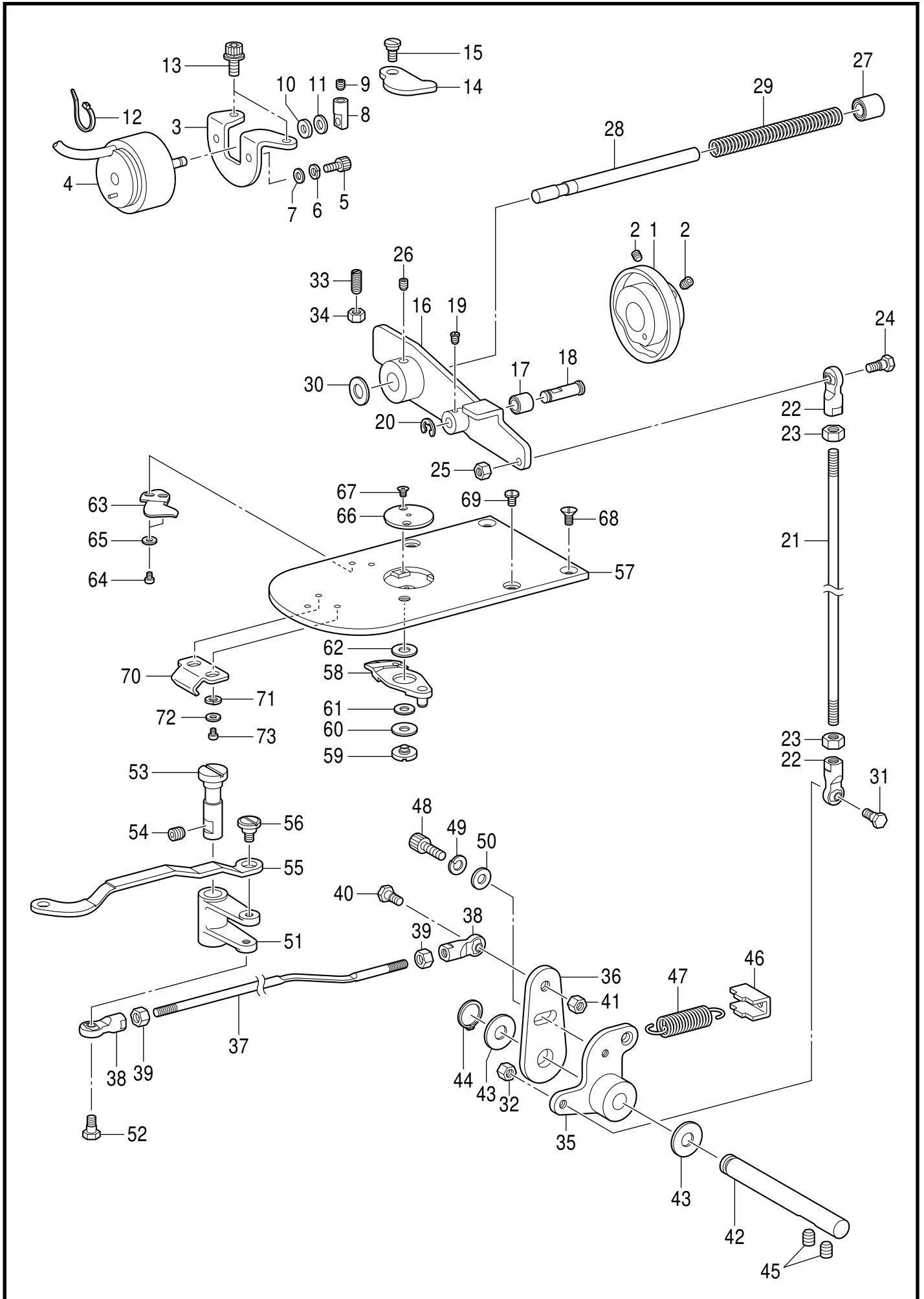


BAS-311G/326G-402

## H. 卷线装置 / Bobbin winder mechanism

参照号	零部件序号	数量	零部件名称	NAME OF PARTS	RM
1	SA4795001	1	顶盖	TOP COVER	
2	SA3290001	1	卷线手柄轴	SHAFT,BW-LEVER	
3	012500536	1	螺钉 <b>M5X5</b>	SET SCREW SOCKET (FT) M5X5	
4	SA3291001	1	卷线手柄	BOBBIN WINDER LEVER	
5	SA4171001	1	弹簧挂钩	SPRING HOOK	
6	152936001	1	板弹簧	PLATE SPRING	
7	152937001	1	垫圈	WASHER	
8	062350616	1	螺钉 <b>M3.5X6</b>	SCREW PAN M3.5X6	
9	159486001	1	垫圈	WASHER	
10	048050342	1	挡圈 <b>E5</b>	RETAINING RING E5	
11	SA3293001	1	卷线卡爪轴	STUD,B-WINDER CLAW	
12	SA1984001	1	梭芯压臂柄	BOBBIN PRESSER ARM	
13	062401216	1	螺钉 <b>M4X12</b>	SCREW PAN M4X12	
14	SA3294001	1	梭芯压杆	BOBBIN PRESSER	
15	S23418002	1	螺钉 <b>M4X5</b>	SCREW, M4X5	
16	SA3295001	1	卷线卡爪	CLAW,B-WINDER	
17	012400436	2	螺钉 <b>M4X4</b>	SET SCREW SOCKET (FT) M4X4	
18	S10438001	1	弹簧	SPRING, TWIST	
19	048050342	2	挡圈 <b>E5</b>	RETAINING RING E5	
20	SA4796001	1	垫片	SPACER COLLER	
21	SA3296001	1	卷线轴	BOBBIN WINDER SHAFT	
22	SA3297001	1	卷线器	WHEEL,B-WINDER	
23	120448001	1	橡皮圈	BOBBIN WINDER RUBBER BAND	
24	012400436	2	螺钉 <b>M4X4</b>	SET SCREW SOCKET (FT) M4X4	
25	159486001	2	垫圈	WASHER	
26	SA1988001	1	梭芯座	BOBBIN SUPPORT	
27	S10268001	1	拉簧	SPRING	
28	SA3298001	1	止动轴	STPPER SHAFT,B-WINDER	
29	SA3299001	1	切刀	KNIFE	
30	062500616	1	螺钉 <b>M5X6</b>	SCREW PAN M5X6	
31	SA1994101	1	卷线器夹线组件	BOBBIN WINDER TENSION ASSY	
32	145446002	2	夹线盘	DISC, TENSION	
33	100401022	1	夹线弹簧	TENSION SPRING	
34	S31032001	1	压线螺母	TENSION NUT	
35	S12441001	1	止动垫圈	WASHER	
36	012500536	1	螺钉 <b>M5X5</b>	SET SCREW SOCKET (FT) M5X5	
37	062061016	6	螺钉 <b>M6X10</b>	SCREW PAN M6X10	
38	SA4797101	1	卷线驱动轮	DRIVING WHEEL B-WINDER	
39	S23651001	2	固定螺钉 <b>M6X6</b>	SET SCREW, SOCKET (FT) M6X6	

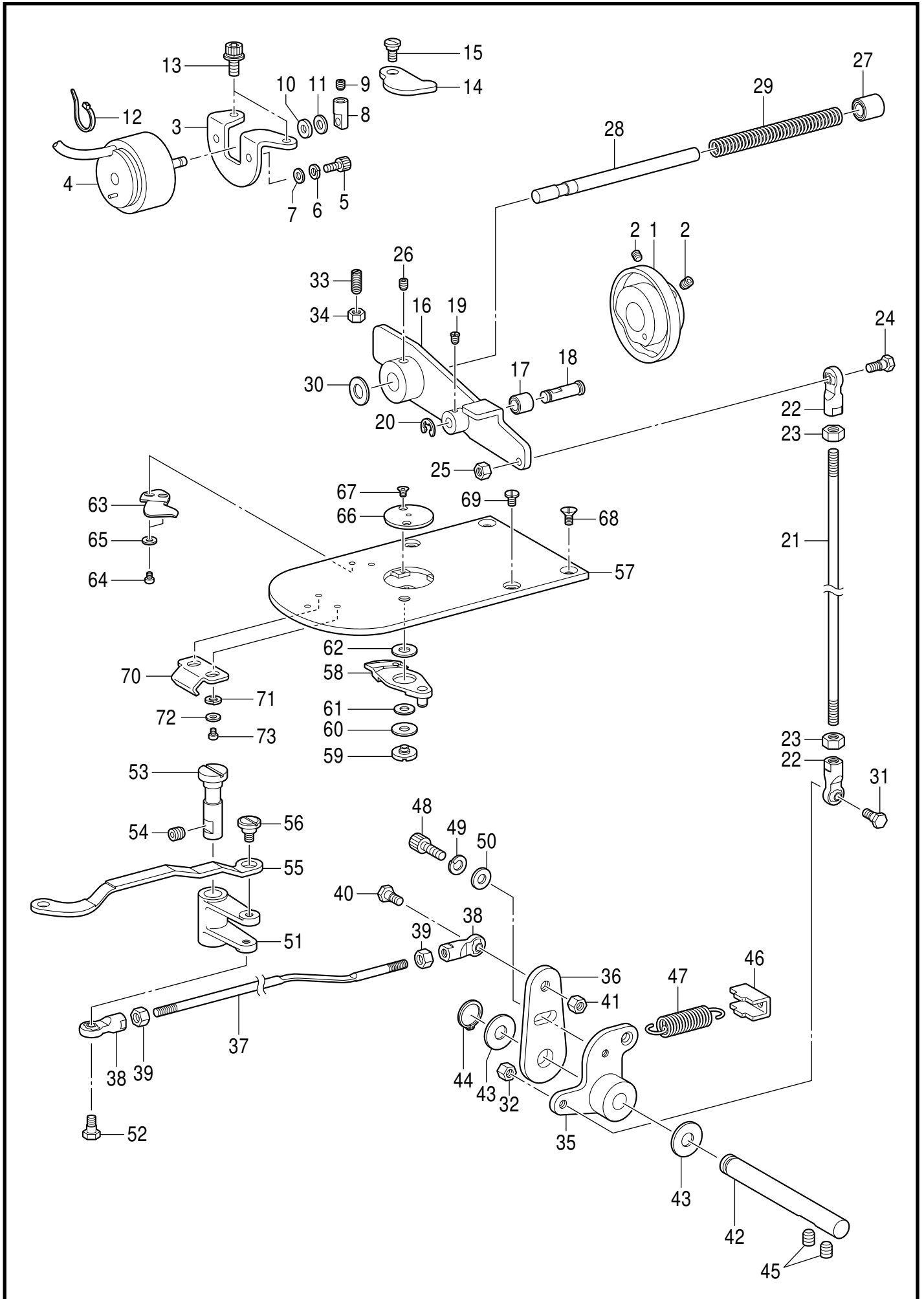
J. 切线装置 / Thread trimmer mechanism



J. 切线装置 / Thread trimmer mechanism

参照号	零部件序号	数量	零部件名称	NAME OF PARTS	RM
1	SA3301101	1	切线凸轮	THREAD TRIMMER CAM	
2	S23651001	2	固定螺钉 M6X6	SET SCREW, SOCKET (FT) M6X6	
3	SA4798001	1	电磁铁安装板	SETTING PLATE SOLENOID	
4	SA5135001	1	切线电磁铁	THREAD TRIMMER SOLENOID	
5	017400802	2	螺栓 M4X8	BOLT M4X8	
6	028040246	2	弹簧垫圈 2-4	WASHER SPRING 2-4	
7	025040236	2	平垫圈 M4	WASHER PLAIN M 4	
8	SA3307001	1	电磁铁杆	SOLENOID LEVER	
9	012400436	1	螺钉 M4X4	SET SCREW SOCKET (FT) M4X4	
10	154599000	1	电磁铁缓冲垫圈	SOLENOID CUSHION	
11	S02652001	1	垫圈	WASHER	
12	S04159000	1	线夹 1M	BAND, 1M	
13	S55484002	2	螺栓(带垫圈) M5X10	BOLT, SOCKET (S/P WASHER)M5X10	
14	SA4799001	1	驱动压杆	PUSHING LEVER D-LEVER	
15	SA3306001	1	段螺钉 7-3	SHOULDER SCREW,7-3	
16	SA3309101	1	切线驱动杆	TR-DRIVING LEVER	
17	SA3310001	1	切线滚轮	COLLAR,TR-TRIMMER	
18	SA3311001	1	切线滚轮轴	COLLAR SHAFT	
19	S46903001	1	螺钉 M4X5	SET SCREW, M4X5	
20	048040342	1	挡圈 E4	RETAINING RING E4	
21	SA3315001	1	切线杆 V	THREAD TRIMMER ROD V	
22	S32465001	2	接头组件	BALL JOINT ASSY	
23	021060106	2	螺母 M6	NUT 1 M6	
24	S32462001	1	段螺钉 B M6	SHOULDER SCREW, B ;M6	
25	021060306	1	六角螺母 M6	NUT 3 M6	
26	S23651001	1	固定螺钉 M6X6	SET SCREW, SOCKET (FT) M6X6	
27	231071001	1	轴套 8X15	BUSH, 8X15	
28	SA3312001	1	驱动杆导向轴	GUIDE SHAFT	
29	SA3313101	1	弹簧	SPRING,COMPRESSION	
30	154596000	1	减震垫圈	CUSHION	
31	S32462001	1	段螺钉 B M6	SHOULDER SCREW, B ;M6	
32	021060306	1	六角螺母 M6	NUT 3 M6	
33	S25475101	1	螺钉 M6X19	SET SCREW, M6X19	
34	021060106	1	螺母 M6	NUT 1 M6	
35	SA4546001	1	切线杠杆 V	THREAD TRIMMER LEVER V	
36	SA3317001	1	切线杠杆 H	THREAD TRIMMER LEVER H	
37	SA4801001	1	切线杆 H	THREAD TRIMMER ROD H	
38	S32465001	2	接头组件	BALL JOINT ASSY	
39	021060106	2	螺母 M6	NUT 1 M6	
40	S32462001	1	段螺钉 B M6	SHOULDER SCREW, B ;M6	
41	021060306	1	六角螺母 M6	NUT 3 M6	
42	SA3319101	1	切线杠杆轴	SHAFT,TR-TRIMMER LEVER	
43	SA4545001	2	垫片	SPACER	
44	048080142	1	轴用挡圈 C8	RETAINING RING EXTERNAL C8	
45	012060636	2	螺钉 M6X6	SET SCREW SOCKET (FT) M6X6	
46	SA3320101	1	弹簧挂钩	SPRING HOOK	
47	SA3321001	1	切线复位弹簧	SPRING,EXTENSION	
48	018501236	1	螺栓 M5X12	BOLT SOCKET M5X12	
49	028050246	1	弹簧垫圈 2-5	WASHER SPRING 2-5	
50	146354002	1	垫圈 5	WASHER, PLAIN 5	
51	SA3324001	1	动刀曲柄	MOVING KNIFE LEVER	
52	SA3325001	1	段螺钉 6.35-6	SHOULDER SCREW,6.35-6	
53	SA4802001	1	动刀杆轴	SHAFT MOVABLE KNIFE LEVER	
54	012060636	1	螺钉 M6X6	SET SCREW SOCKET (FT) M6X6	
55	SA3327101	1	动刀连杆	M-KNIFE CONNECTING PLATE	
56	SA4354001	1	段螺钉 6-1.8	SHOULDER SCREW,6-1.8	

J. 切线装置 / Thread trimmer mechanism

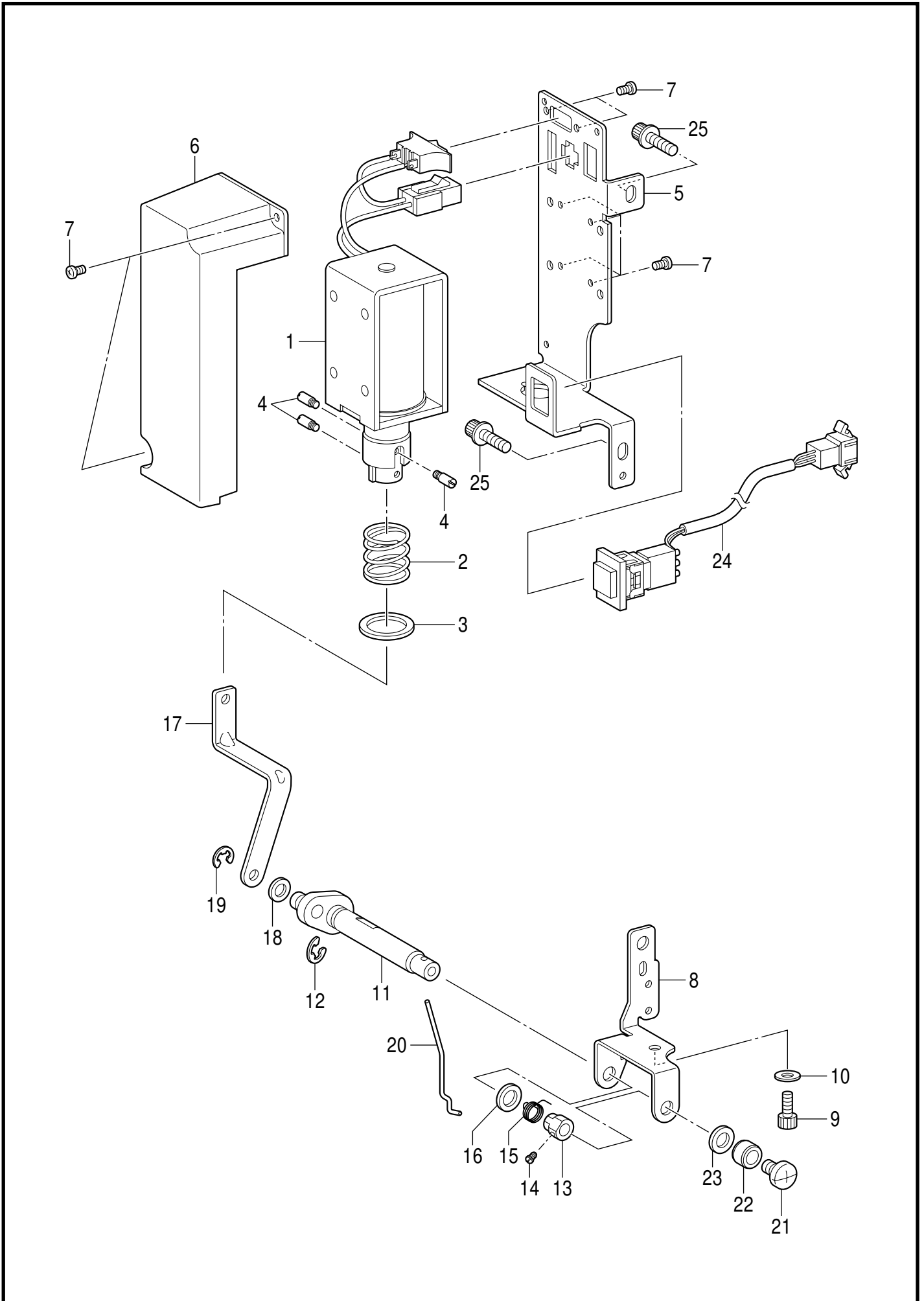


J. 切线装置 / Thread trimmer mechanism

参照号	零部件序号	数量	零部件名称	NAME OF PARTS	RM
57	SA5157001	1	针板 A	NEEDLE PLATE A	
58	SA3330101	1	动刀组件 F	MOVABLE KNIFE ASSY F	
59	SA4518001	1	段螺钉	MOVABLE KNIFE SHOULDER SCREW	
60	SA4519001	1	动刀圈套	THRUST WASHER	
61	S00705001	1	动刀圈套	MOVABLE KNIFE COLLAR	
62	SA6397001	1	垫片 0.2	M-KNIFE SPACER T0.2	
62	SA3334001	1	垫片 0.3	M-KNIFE SPACER T0.3	
62	SA6398001	1	垫片 0.4	M-KNIFE SPACER T0.4	
63	SA3335001	1	定刀 F	FIXED KNIFE F	
64	062300416	2	螺钉 M3X4	SCREW PAN M3X4	
65	025030236	2	平垫圈 M3	WASHER PLAIN M 3	
66	* P. 66	1	针孔板	NEEDLE HOLE PLATE	
67	100360003	2	螺钉 SM2.38	SCREW	
68	S25310101	2	螺钉 M4	SCREW, FLAT M4	
69	SA3538001	2	螺钉 M4X8	SCREW,M4X8	
70	SA6273001	1	大旋梭盖挂钩 U	SHUTTLE BASE COVER HOOK U	
71	028030246	2	弹簧垫圈 2-3	WASHER SPRING 2-3	
72	025030236	2	平垫圈 M3	WASHER PLAIN M 3	
73	062300416	2	螺钉 M3X4	SCREW PAN M3X4	

BAS-311G/326G-403

K. 扫线装置 / Thread wiper mechanism



BAS-311G/326G-405



## K. 扫线装置 / Thread wiper mechanism

参照号	零部件序号	数量	零部件名称	NAME OF PARTS	RM
1	SA5208001	1	扫线电磁铁组件	THREAD WIPER SOLENOID ASSY	
2	S41206001	1	挡线弹簧	THREAD WIPER SPRING	
3	S41205001	1	平垫圈	WASHER, PLAIN	
4	S25456001	3	柱塞销	PLUNGER PIN	
5	SA5217001	1	扫线电磁铁按装板	T-WIPER SOLENOID SETTING PLATE	
6	SA4806001	1	电磁铁盖	SOLENOID COVER	
7	062300616	8	螺钉 <b>M3X6</b>	SCREW PAN M3X6	
8	SA5218001	1	扫线轴托架	THREAD WIPER SHAFT BRACKET	
9	018400836	1	螺栓 <b>M4X8</b>	BOLT SOCKET M4X8	
10	025040236	1	平垫圈 <b>M4</b>	WASHER PLAIN M 4	
11	SA1967001	1	扫线曲轴组件	THREAD WIPER CRANK ASSY	
12	048040342	1	挡圈 <b>E4</b>	RETAINING RING E4	
13	S25454001	1	螺纹紧圈	SET SCREW COLLAR	
14	S25279001	1	螺钉 <b>M3.5-5</b>	SET SCREW, (CP) M3.5-5	
15	SA2287001	1	弹簧	SPRING	
16	149097000	1	消音垫	SILENT SHEET	
17	SA5219001	1	扫线杆	THREAD WIPER ROD	
18	110735001	1	垫圈	WASHER	
19	048030342	1	挡圈 <b>E3</b>	RETAINING RING E3	
20	S10470101	1	扫线	WIPER	
21	060400516	1	螺钉 <b>M4X5</b>	SCREW BIND M4X5	
22	146288001	1	挡线轴挡圈	THREAD WIPER STUD COLLAR	
23	S03677001	1	垫圈	WASHER	
24	SA5213001	1	停止开关组件	STOP SWITCH ASSY	
25	S55485001	2	螺栓(带垫圈) <b>M5X12</b>	BOLT, SOCKET (S/P WASHER)M5X12	

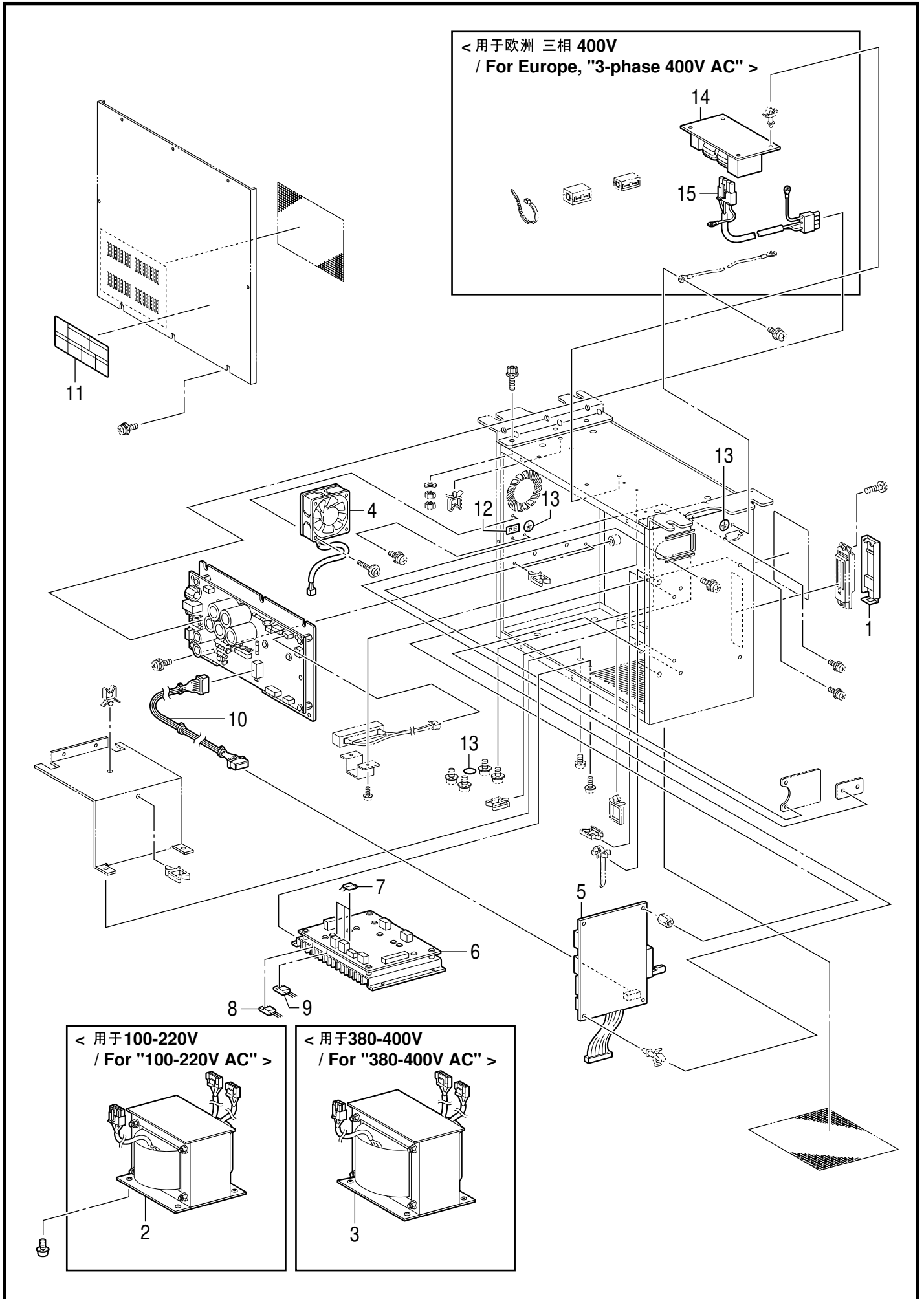


## L. 松线装置 / Tension release mechanism

参照号	零部件序号	数量	零部件名称	NAME OF PARTS	RM
1	SA4855001	1	松线电磁铁 HV	TENSION RELEASE SOLENOID HV	
2	017400802	2	螺栓 M4X8	BOLT M4X8	
3	028040246	2	弹簧垫圈 2-4	WASHER SPRING 2-4	
4	025040236	2	平垫圈 M4	WASHER PLAIN M 4	
5	017401415	1	螺栓 M4X14	BOLT M4X14	
6	021400306	1	六角螺母 M4	NUT 3 M4	
7	102707002	1	垫圈 4	WASHER	
8	154599000	1	电磁铁缓冲垫圈	SOLENOID CUSHION	
9	SA6389001	1	电磁铁安装板	SETTING PLATE SOLENOID	
10	S04159000	1	线夹 1M	BAND, 1M	
11	SA3347001	1	松线杆	TENSION RELEASE BAR	
12	048040342	1	挡圈 E4	RETAINING RING E4	
13	025050236	1	平垫圈 M5	WASHER PLAIN M 5	
14	SA3348001	1	弹簧	SPRING, COMPRESSION	
15	SA3349001	1	电磁铁盖	SOLENOID COVER	
16	SA3306001	2	段螺钉 7-3	SHOULDER SCREW, 7-3	
17	081007070	2	O形圈 P7	O RING P7	
18	218859001	1	电线夹 M150	BINDER, M150	

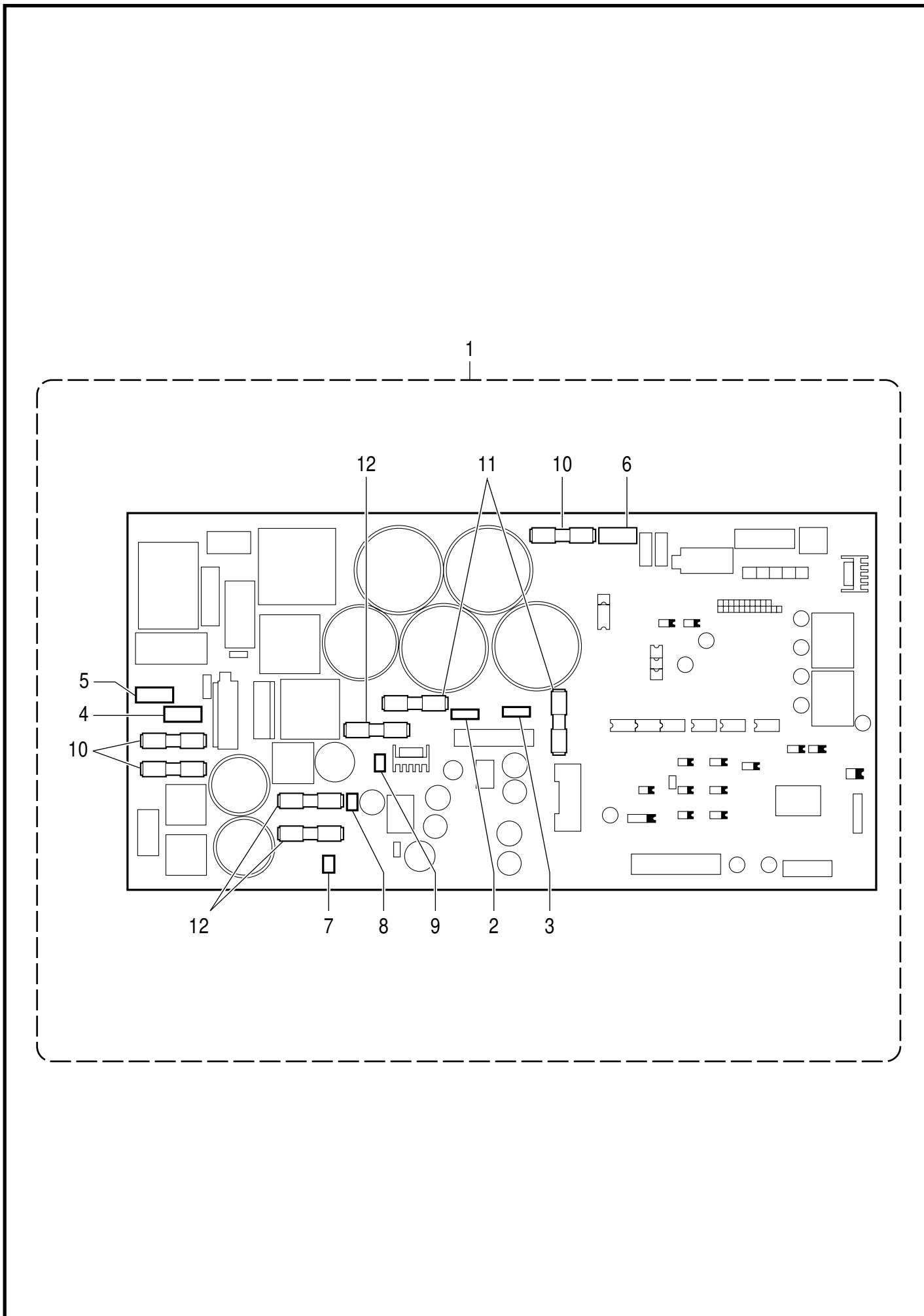
BAS-311G/326G-406

M1 . 控制箱装置 / Control box mechanism



## M1. 控制箱装置 / Control box mechanism

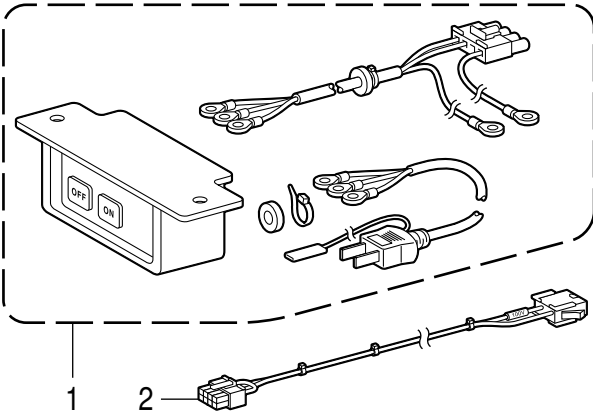
参照号	零部件序号	数量	零部件名称	NAME OF PARTS	RM
1	SA6364001	1	盖组件 CF	CF CAP ASSY	
			<用于100-220V>	<For "100-220V AC">	
2	SA3720001	1	变压器 LV	TRANSFORMER LOW VOLTAGE	
			<用于380-400V>	<For "380-400V AC">	
3	SA3808001	1	变压器 HV	TRANSFORMER HIGH VOLTAGE	
4	SA3797001	1	DC风扇马达组件	DC-FAN MOTOR ASSY	
5	SA4556001	1	主基板组件	PCB ASSY,MAIN	
6	SA3739301	1	基板组件 PMD	PCB ASSY,PMD	
7	SA3744001	3	FET FS10ASJ-2	TRANSISTOR, FET:FS10ASJ-2	
8	SA3722001	1	MOSFET FX20KMJ2	TRANSISTOR,FET:FX20KMJ-2	
9	S49484000	1	MOSFETFS10KMJ-2	TRANSISTOR, FET:FS10KMJ-2	
10	SA3806001	1	电线	HARNESS, MAIN POWER SUPPLY	
11	J04115001	1	感电标签(6国)	LABEL, ELEC. SHOCK 6 LANG	
12	537060001	1	标记 PE	LABEL, PE	
13	S37059001	3	PE标记	LABEL, GROUNDING	
			<用于欧洲 三相 400V>	<For Europe,"3-phase 400V AC">	
14	SA3581001	1	基板组件	PCB ASSY,NF	
15	SA3796001	1	电线 NF OUT	HARNESS,NF OUT	



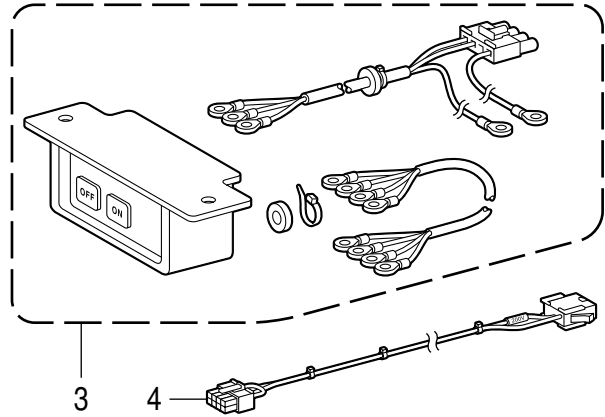
## M2. 控制箱装置 (电源基板) / Control box (PCB) mechanism

参照号	零部件序号	数量	零部件名称	NAME OF PARTS	RM
1	SA3755201	1	电源马达基板组件	PCB ASSY,POWER SUPPLY MOTOR	
2	SA3765001	1	电阻 V10D101	VARISTOR:V10D101	
3	SA3766001	1	电阻 V10D241	VARISTOR:V10D241	
4	SA3767001	1	电阻 V14D511	VARISTOR:V14D511	
5	SA3762001	1	电阻 V14D911	VARISTOR:V14D911	
6	SA3768001	1	电阻 V14D561	VARISTOR:V14D561	
7	SA3769001	1	电阻 V5D121	VARISTOR:V5D121	
8	SA3770001	1	电阻 V5D330	VARISTOR:V5D330	
9	SA3771001	1	电阻 V5D820	VARISTOR:V5D820	
10	SA3794001	3	保险丝 250V-15A	G FUSE S 15A	
11	SA3795001	2	保险丝 250V-6A	G FUSE S 6A	
12	616167001	3	保险丝 250V-3A	G FUSE S 3A	

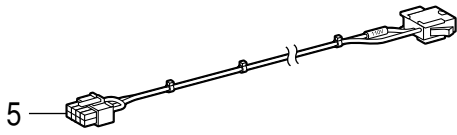
< 用于日本 单相 100V / For Japan, 1-phase 100V AC. >



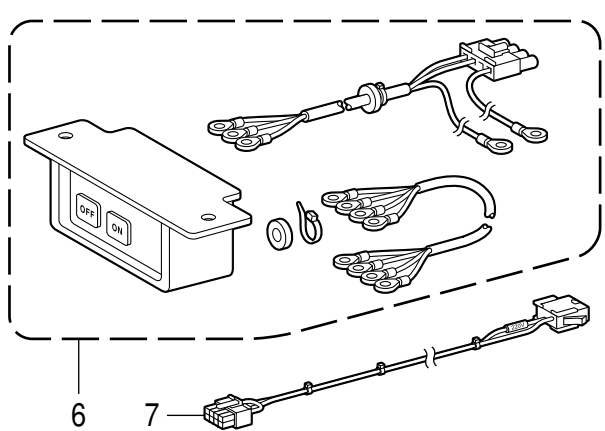
< 用于日本 三相 200V / For Japan, 3-phase 200V AC. >



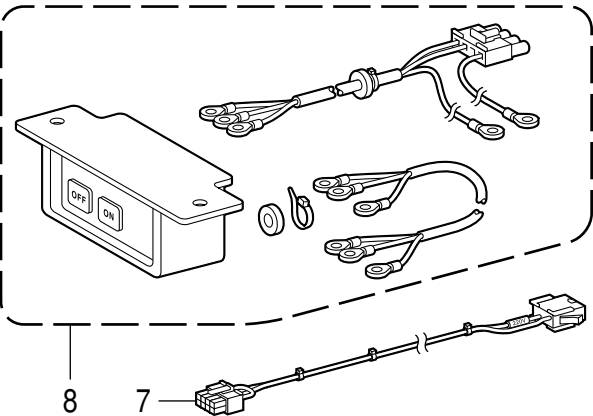
< 用于美国 单相 110V / For USA, 1-phase 110V AC. >



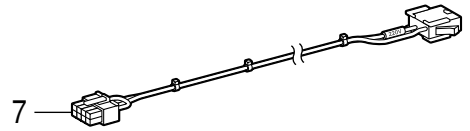
< 用于美国 三相 220V / For USA, 3-phase 220V AC. >



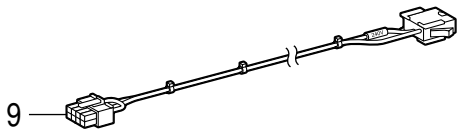
< 用于亚洲 单相 220V / For Asia, 1-phase 220V AC. >



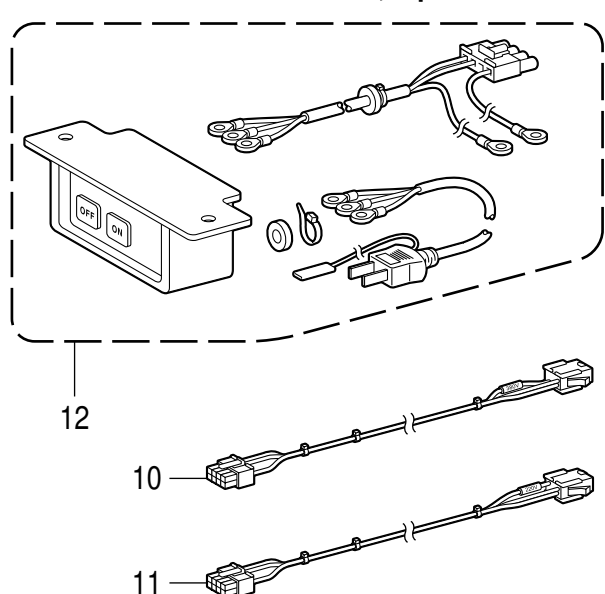
< 用于中国 单相 220V / For China, 1-phase 220V AC. >



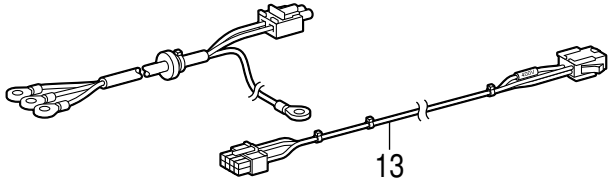
< 用于亚洲 单相 240V / For Asia, 1-phase 240V AC. >



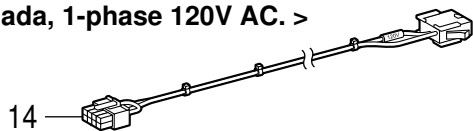
< 用于中国 三相 380V / For China, 3-phase 380V AC. >



< 用于欧洲 三相 400V / For EU, 3-phase 400V AC. >



< 用于加拿大 单相 120V / For Canada, 1-phase 120V AC. >

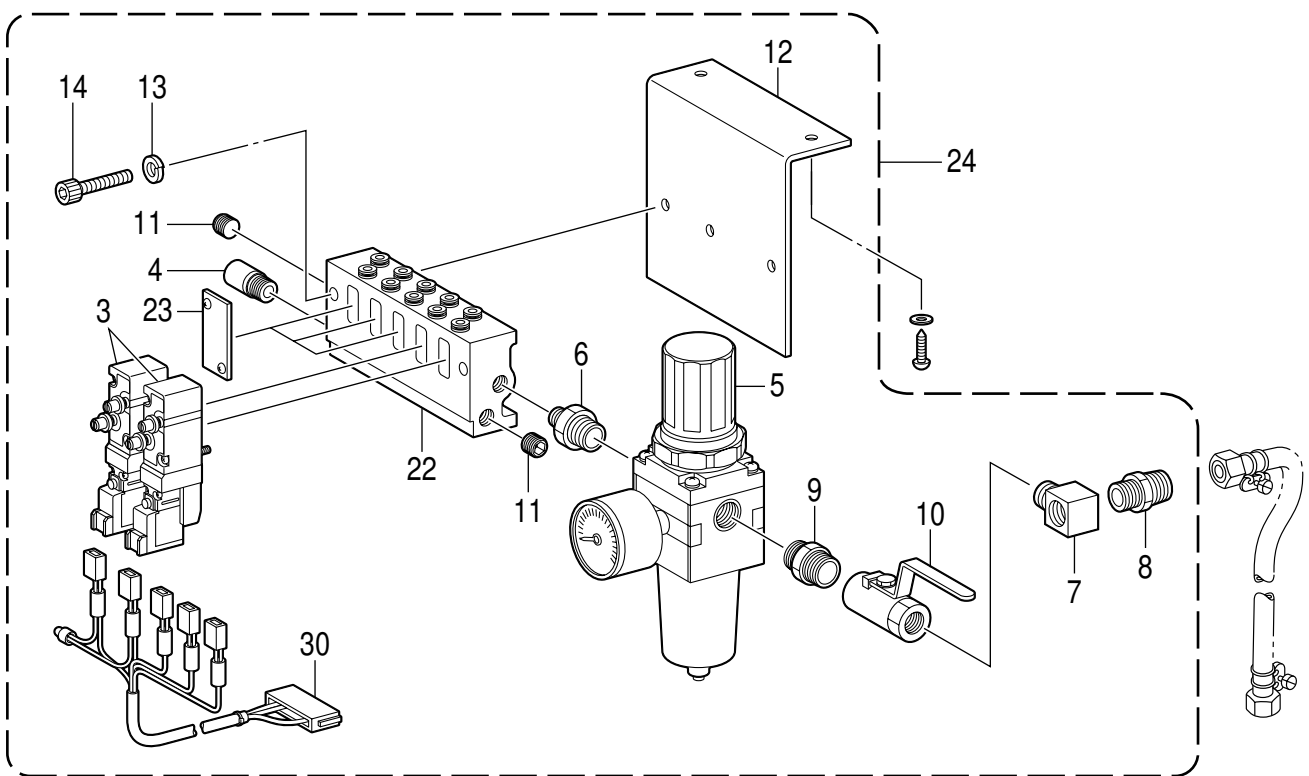
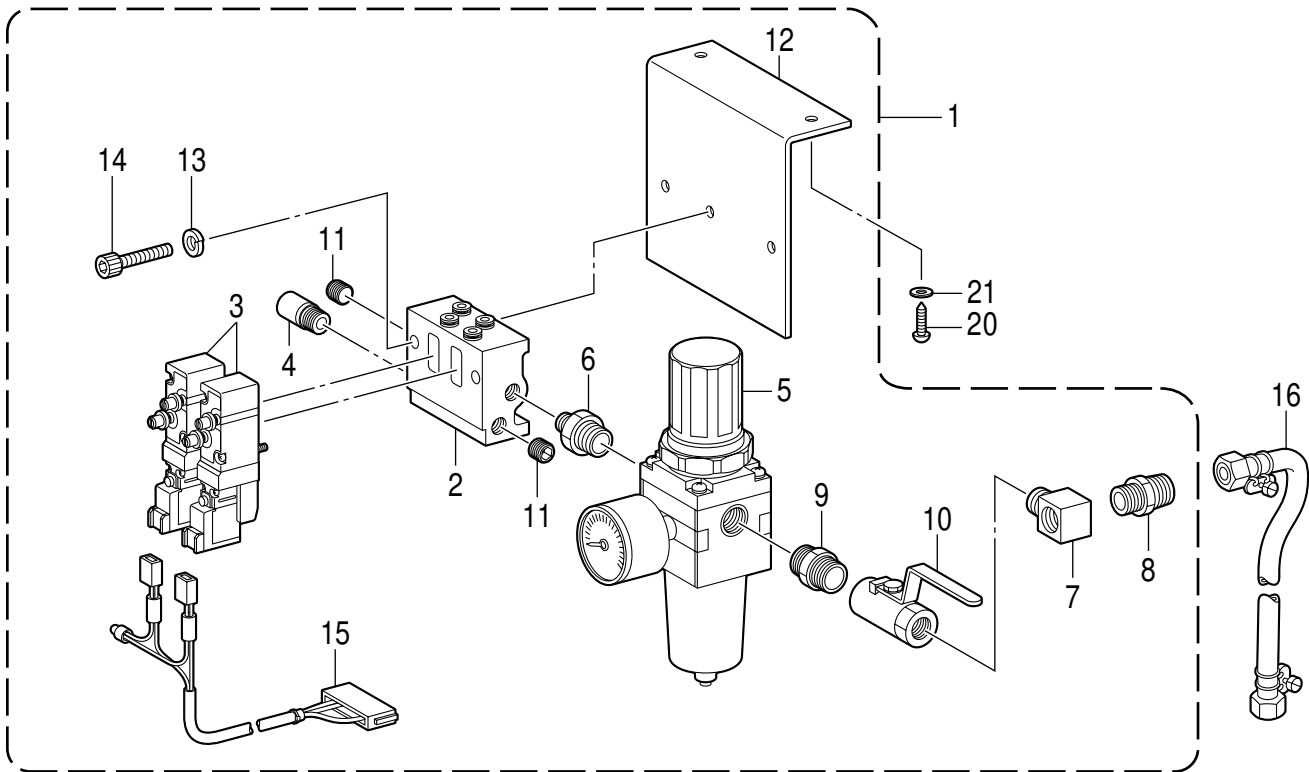
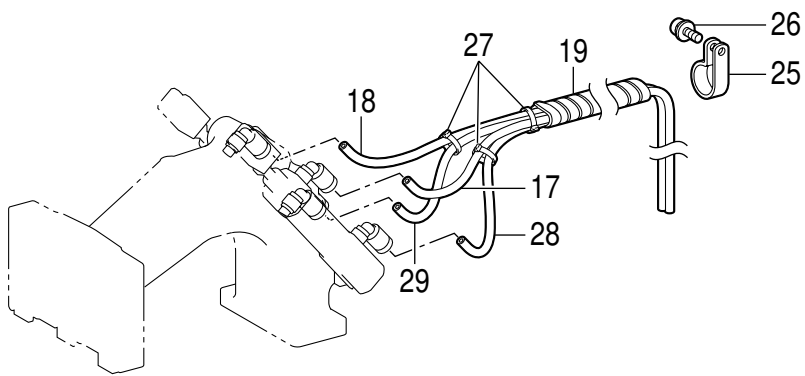




N. 开关装置 / Power switch mechanism

参照号	零部件序号	数量	零部件名称	NAME OF PARTS	RM
1	SA3813001	1	<用于日本 单相 100V> 电源开关组件 1P-JP	<For Japan, 1-phase 100V AC.> POWER SUPPLY SWITCH ASSY,1P-JP	
2	SA3822001	1	V切换电线 100V	VOLTAGE SELECT HARNESS 100V	
3	SA3819001	1	<用于日本 三相 200V> 电源开关组件 3P-JP	<For Japan,3-phase 200V AC.> POWER SUPPLY SWITCH ASSY,3P-JP	
4	SA3825001	1	V切换电线 200V	VOLTAGE SELECT HARNESS 200V	
5	SA3823001	1	<用于美国 单相 110V> V切换电线 110V	<For USA,1-phase 110V AC.> VOLTAGE SELECT HARNESS 110V	
6	SA3816001	1	<用于美国 三相 220V> 电源开关组件 3P-L	<For USA,3-phase 220V AC.> POWER SUPPLY SWITCH ASSY,3P-L	
7	SA3812001	1	V切换电线 220V	VOLTAGE SELECT HARNESS 220V	
8	SA3809001	1	<用于亚洲 单相 220V> 电源开关组件 1P	<For Asia, 1-phase 220V AC.> POWER SUPPLY SWITCH ASSY,1P	
7	SA3812001	1	V切换电线 220V	VOLTAGE SELECT HARNESS 220V	
9	SA3826001	1	<用于亚洲 单相 240V> V切换电线 240V	<For Asia, 1-phase 240V AC.> VOLTAGE SELECT HARNESS 240V	
7	SA3812001	1	<用于中国 单相 220V> V切换电线 220V	<For China,1-phase 220V AC.> VOLTAGE SELECT HARNESS 220V	
10	SA3827001	1	<用于中国 三相 380V> V切换电线 380V	<For China,3-phase 380V AC.> VOLTAGE SELECT HARNESS 380V	
11	SA3789101	1	V切换电线 H220V	VOLTAGE SELECT HARNESS H220V	
12	SA4510001	1	电源开关组件 3P-H	POWER SUPPLY SWITCH ASSY,3P-H	
13	SA3828001	1	<用于欧洲 三相 400V> V切换电线 400V	<For Europe,3-phase 400V AC.> VOLTAGE SELECT HARNESS 400V	
14	SA3824001	1	<用于加拿大 单相 120V> V切换电线 120V	<For Canada, 1-phase 120V AC.> VOLTAGE SELECT HARNESS 120V	

P. 空压装置 / Air pressure mechanism

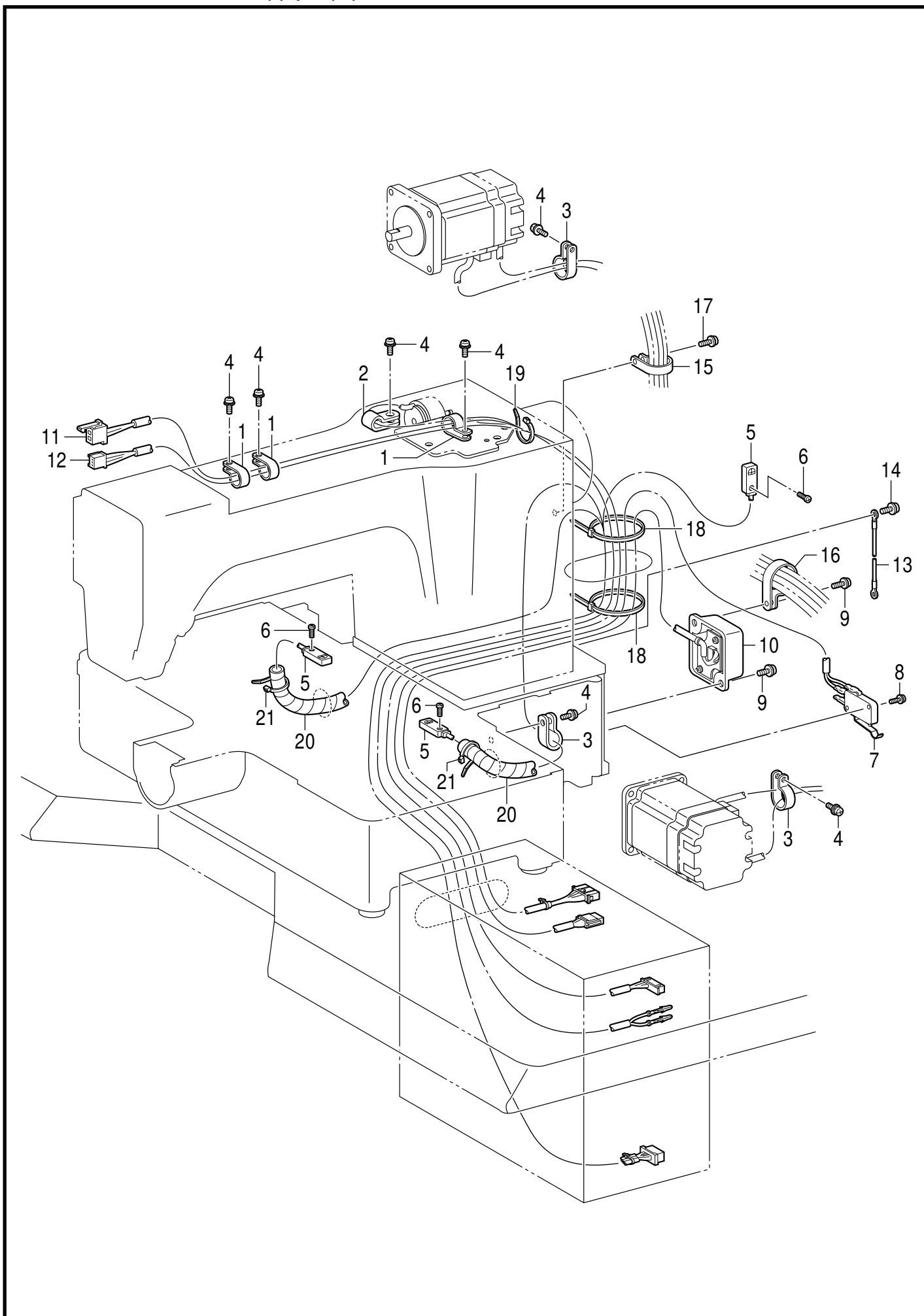


P. 空压装置 / Air pressure mechanism

参照号	零部件序号	数量	零部件名称	NAME OF PARTS	RM
			<b>&lt;空压式&gt;</b>	<b>&lt;For Pneumatic type&gt;</b>	
1	SA5281001	1	电磁阀组件 2A	SOLENOID VALVE ASSY 2A	
2	SA5289001	1	集管 2	MANIFOLD2	
3	S39116100	2	阀 VQZ2151S-5	VALVE, VQZ2151S-5	
4	SA5283001	1	消音器 AN103-1	SILENCER AN103-1	
5	SA5282001	1	调整器 AW20-02G	FILTER REGULATOR AW20-02G	
6	S09228000	1	管接头	NIPPLE 1/4X1/8	
7	153252000	1	接头 PT	PT-JOINT	
8	S04891000	1	中间接头 1/4	MIDDLE NIPPLE, 1/4	
9	SA5285001	1	中间接头 1/4	MIDDLE NIPPLE, 1/4	
10	SA6573001	1	球阀 Vo3 1/4	BALL VALVE Vo3 1/4	
11	153274001	2	盖 1/8	CAP, 1/8	
12	SA5286001	1	阀安装板	SETTING PLATE VALVE	
13	028050246	2	弹簧垫圈 2-5	WASHER SPRING 2-5	
14	018503036	2	螺栓 M5X30	BOLT SOCKET M5X30	
15	SA5191001	1	阀门接线2连组件	VALVE HARNESS X2 ASSY	
16	149796001	1	橡皮管带接头	AIR HOSE, W/CONNECTOR	
17	SA6405001	1	空气管 R	AIR TUBE, R	
18	SA6406001	1	空气管 L	AIR TUBE, L	
28	SA6405002	1	空气管 R	AIR TUBE, R	
29	SA6406002	1	空气管 L	AIR TUBE, L	
19	SA6407001	1	保护用弹性管 470S	SPIRAL, 470S	
20	032422003	2	木螺钉 M4.1X20	WOOD SCREW, ROUND 2 M4.1X20	
21	148847001	2	垫圈	WASHER, PLAIN 4.76	
25	525664000	1	电线夹 #6	CORD HOLDER, #6	
26	0A5401005	1	螺栓(带垫圈) M4X10DB	SCREW PAN (S/P WASHER) M4X10	
27	228475000	3	电线夹 1.9X80	FASTENING BAND, 1.9X80	
24	SA5288001	1	电磁阀组件 5A	SOLENOID VALVE ASSY 5A	
22	SA5290001	1	集管 5	MANIFOLD5	
23	S53982000	3	隔板	BLANKING PLATE ASSY	
3	S39116100	2	阀 VQZ2151S-5	VALVE, VQZ2151S-5	
4	SA5283001	1	消音器 AN103-1	SILENCER AN103-1	
5	SA5282001	1	调整器 AW20-02G	FILTER REGULATOR AW20-02G	
6	S09228000	1	管接头	NIPPLE 1/4X1/8	
7	153252000	1	接头 PT	PT-JOINT	
8	S04891000	1	中间接头 1/4	MIDDLE NIPPLE, 1/4	
9	SA5285001	1	中间接头 1/4	MIDDLE NIPPLE, 1/4	
10	SA6573001	1	球阀 Vo3 1/4	BALL VALVE Vo3 1/4	
11	153274001	2	盖 1/8	CAP, 1/8	
12	SA5286001	1	阀安装板	SETTING PLATE VALVE	
13	028050246	2	弹簧垫圈 2-5	WASHER SPRING 2-5	
14	018503036	2	螺栓 M5X30	BOLT SOCKET M5X30	
30	SA5192001	1	阀门接线5连组件	VALVE HARNESS X5 ASSY	

BAS-311G/326G-514

Q . 电气部品装置 / Power supply equipment mechanism

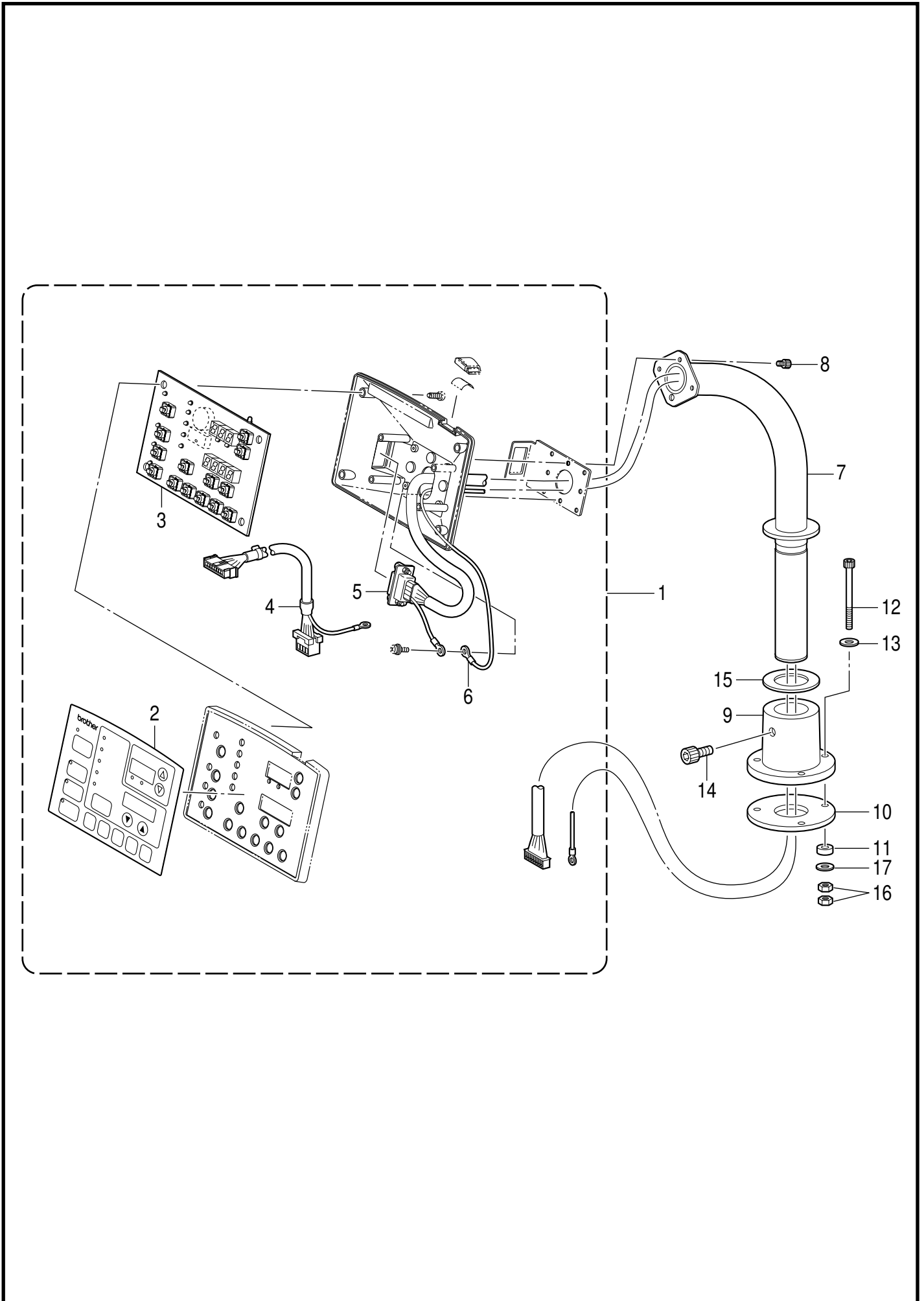


BAS-311G/326G-515

Q. 电气部品装置 / Power supply equipment mechanism

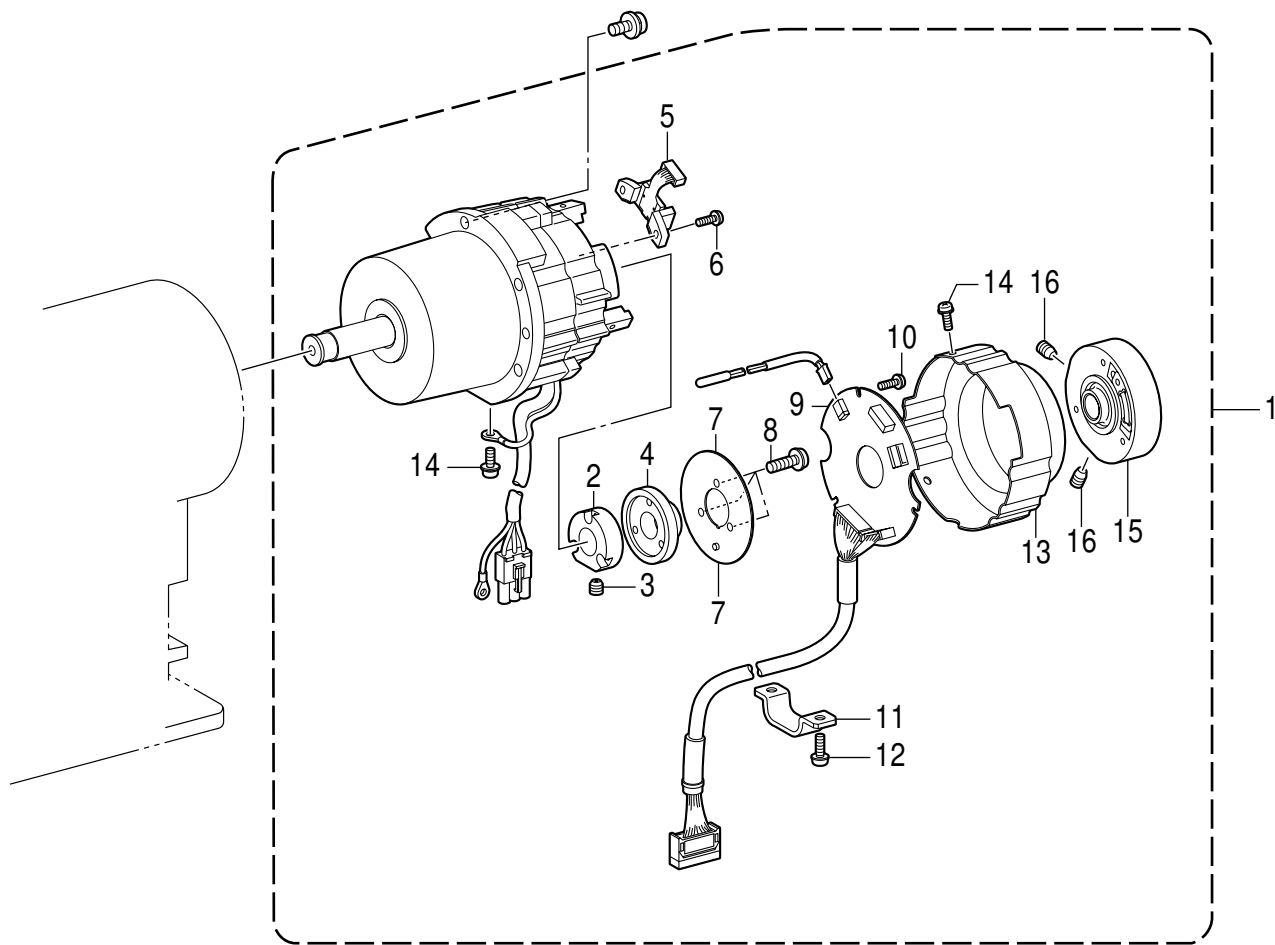
参照号	零部件序号	数量	零部件名称	NAME OF PARTS	RM
1	525567000	3	电线夹 #8	CORD HOLDER, #8	
2	149547000	1	压线板	CORD HOLDER, 4N	
3	149287000	3	压线板	CORD HOLDER, 7N	
4	0A5401006	7	螺栓(带垫圈) M4X10DB	SCREW PAN (S/P WASHER) M4X10	
5	SA4830001	1	传感器组件	H-POSITION SENSOR ASSY	
6	062300816	3	螺钉 M3X8	SCREW PAN M3X8	
7	SA3481001	1	机头开关组件	SWITCH ASSY, MACHINE HEAD	
8	0A5301605	2	螺栓(带垫圈) M3X16DB	SCREW PAN (S/P WASHER) M3X16	
9	0A5401006	2	螺栓(带垫圈) M4X10DB	SCREW PAN (S/P WASHER) M4X10	
10	SA4824001	1	头部检出复合件	HEAD DETECTOR UNIT ASSY	
11	SA5210001	1	电磁铁接线	THREAD WIPER SOLENOID HARNESS	
12	SA5214001	1	开关接线	STOP SWITCH HARNESS	
13	SA5261001	1	接地线 450	GROUND WIRE 450	
14	0A5401006	1	螺栓(带垫圈) M4X10DB	SCREW PAN (S/P WASHER) M4X10	
15	554482000	1	电线夹 #12	CORD HOLDER, #12	
16	S00470000	1	电线夹 #16	CORD HOLDER, 16N	
17	0A5401006	2	螺栓(带垫圈) M4X10DB	SCREW PAN (S/P WASHER) M4X10	
18	218859001	2	电线夹 M150	BINDER, M150	
19	S04159000	1	线夹 1M	BAND, 1M	
20	SA6560101	2	保护用螺线管 140SS	SPIRAL, 140SS	
21	S04159000	2	线夹 1M	BAND, 1M	

BAS-311G/326G-515



## R. 操作盘装置 / Operation panel mechanism

参照号	零部件序号	数量	零部件名称	NAME OF PARTS	RM
1	SA4834001	1	操作盘组件	OPERATION PANEL ASSY	
2	SA3831001	1	操作盘面板	PANEL SHEET	
3	SA3833101	1	操作盘基板组件	PANEL PCB ASSY	
4	SA4563001	1	操作盘接线	PANEL HARNESS	
5	SA4837001	1	程序器中继线	PROGRAMMER CONNECTING HARNESS	
6	SA4841001	1	接地线	GROUND WIRE	
7	SA4836001	1	操作盘支柱	OPERATION PANEL STAND	
8	018400636	3	螺栓 <b>M4X6</b>	BOLT SOCKET M4X6	
9	S43236009	1	操作盘基座	OPERATION PANEL BASE	
10	S43674000	1	缓震垫 <b>A</b>	CUSHION, A	
11	S43675000	3	缓震垫 <b>B</b>	CUSHION, B	
12	S25634101	3	螺栓 <b>M5X65</b>	BOLT, SOCKET M5X65	
13	025050236	3	平垫圈 <b>M5</b>	WASHER PLAIN M 5	
14	018081636	1	螺栓 <b>M8X16</b>	BOLT SOCKET M8X16	
15	S10408000	1	橡皮垫片	RUBBER SHEET	
16	021500106	6	六角螺母 <b>M5</b>	NUT 1 M5	
17	025050336	3	平垫圈 <b>L5</b>	WASHER PLAIN L 5	



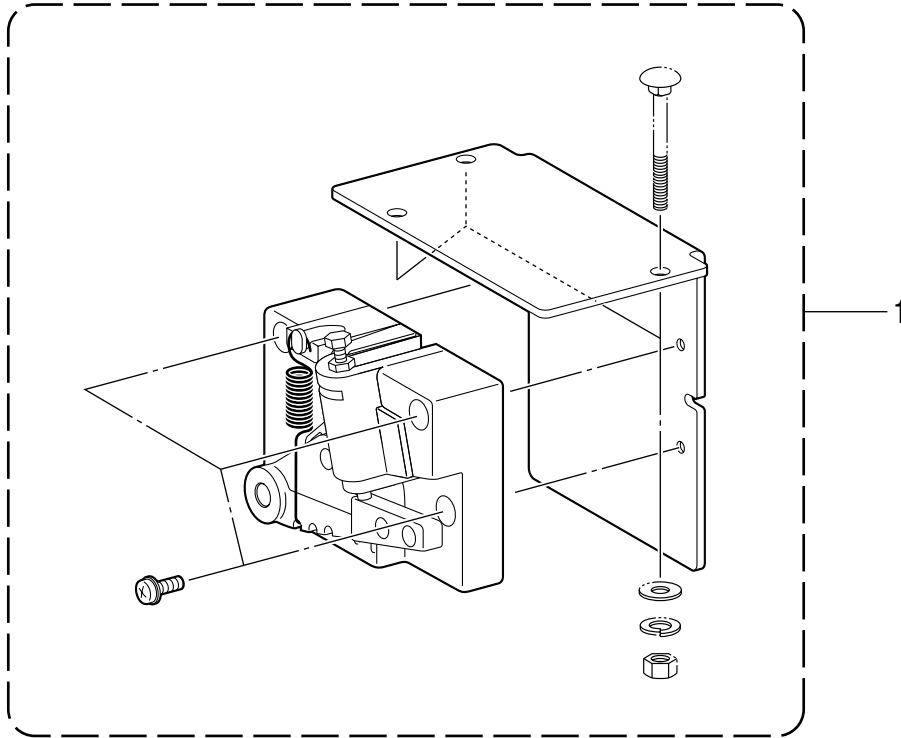


## S. 马达装置 / Motor mechanism

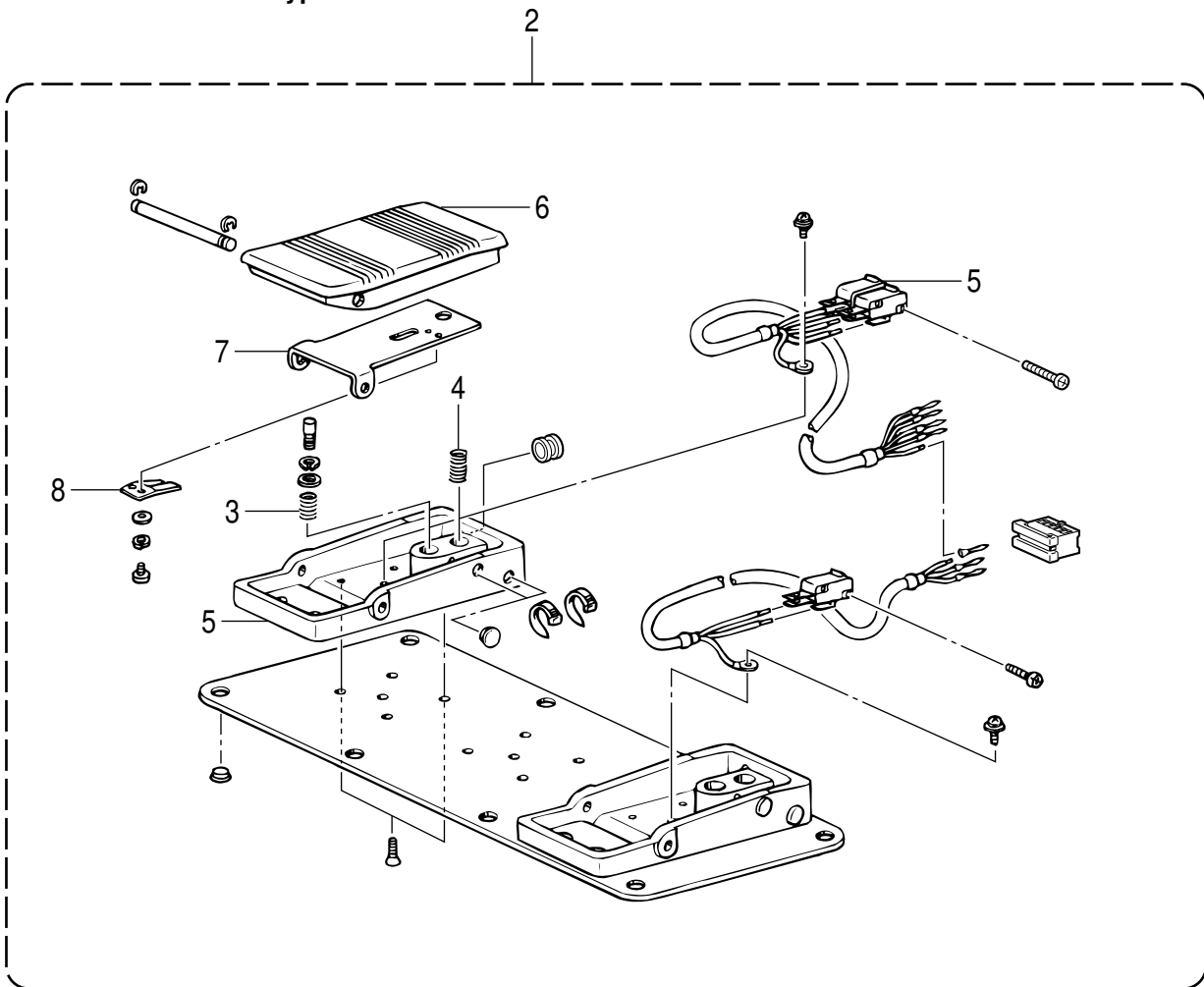
参照号	零部件序号	数量	零部件名称	NAME OF PARTS	RM
1	J80991001	1	马达组件 <b>CDD-430D</b>	MOTOR ASSY, CDD-430D	
2	J03955001	1	磁鼓 <b>CDD</b>	DRUM CDD	
3	014400632	1	螺钉 <b>M4X6</b>	SET SCREW, SOCKET (CP) M4X6	
4	J03956001	1	磁铁 <b>180P36</b>	MAGNET 180P36	
5	J03957001	1	MR感应器组件 <b>180P</b>	MR SENSOR ASSY 180P	
6	0A4300805	1	螺栓(带垫圈) <b>M3X8DA</b>	SCREW, PAN (S/P WASHER) M3X8	
7	J03958001	1	屏蔽板 <b>CDD</b>	SHIELD PLATE CDD	
8	0A4261005	3	螺栓(带垫圈) <b>M2.6X10DA</b>	SCREW, PAN (S/P WASHE) M2.6X10	
9	J04488001	1	<b>ENC</b> 基板组件 <b>430D#2</b>	ENC PCB ASSY, 430D#2	
10	0A5300606	3	螺栓(带垫圈) <b>M3X6DB</b>	SCREW, PAN (S/P WASHER) M3X6	
11	J04230001	1	电线固定夹 <b>CDD-HT</b>	CORD HOLDER, CDD-HT	
12	0A4401005	3	螺栓(带垫圈) <b>M4X10DA</b>	SCREW, PAN (S/P WASHE) M4X10	
13	J04388001	1	编码器盖 <b>430D</b>	ENCODER COVER, 430D	
14	0A4300805	3	螺栓(带垫圈) <b>M3X8DA</b>	SCREW, PAN (S/P WASHER) M3X8	
15	J04303001	1	同步轮组件 <b>430D</b>	PULLEY HOLDER ASSY, 430D	
16	014500632	2	螺钉 <b>M5X6</b>	SET SCREW, SOCKET (CP) M5X6	

# T. 踏板关系 / Foot switch pedal mechanism

< 电磁式 / For solenoid type >



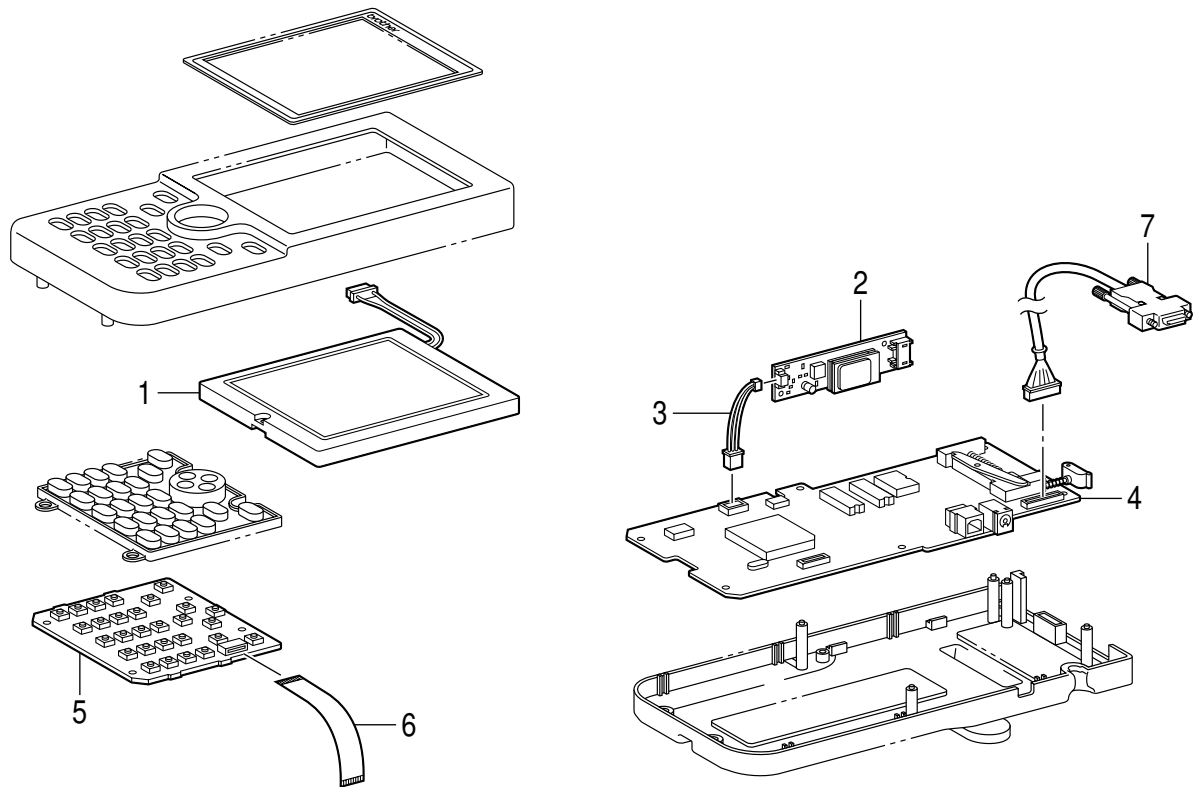
< 空压式 / For Pneumatic type >



T. 踏板关系 / Foot switch pedal mechanism

参照号	零部件序号	数量	零部件名称	NAME OF PARTS	RM
1	SA3519101	1	<电磁式> 踏板复合件 A	<For Solenoid type> TREADLE UJINT,A ASSY	
2	SA6038001	1	<空压式> 2连脚踏开关组件	<For Pneumatic type> 2-PEDAL FOOT SWITCH, SW ASSY	
3	S38168001	1	弹簧	SPRING, COMPRESSION 10X30	
4	S38170001	2	弹簧	FOOT PEDAL SPRING	
5	S36260000	3	开关 VX	PIN BUTTON MICRO SWITCH, VX	
6	S38174000	2	脚踏板	FOOT PEDAL	
7	S38175001	2	脚踏护板	PROTECTION PLATE, PEDAL	
8	S38176101	2	弹簧板	SPRING, PLATE	

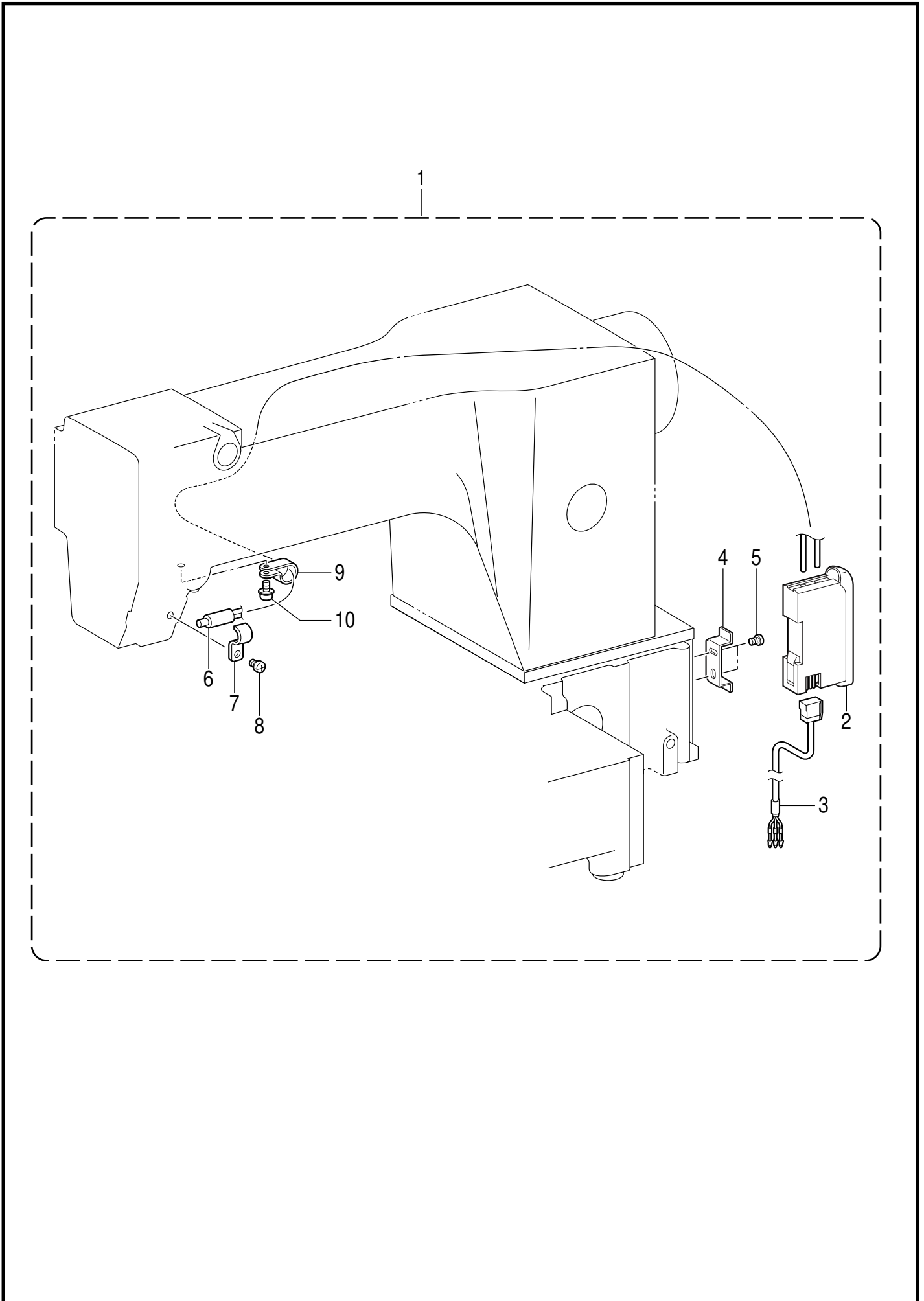
BAS-311G/326G-651



U. 编程装置 / Programmer

参照号	零部件序号	数量	零部件名称	NAME OF PARTS	RM
1	SA5164001	1	LCD 模数	LCD MODULE	
2	SA5165001	1	LCD 变换器	LCD INVERTER	
3	SA5166001	1	变换器接线	INVERTER HARNESS	
4	SA5170001	1	编程器基板组件	PROGRAMMER PCB ASSY	
5	SA5172001	1	开关基板组件	SWITCH PCB ASSY	
6	SA5168001	2	FFC 接线	FFC:SML2CD	
7	SA5167001	1	编程器接线	PROGRAMMER HARNESS	

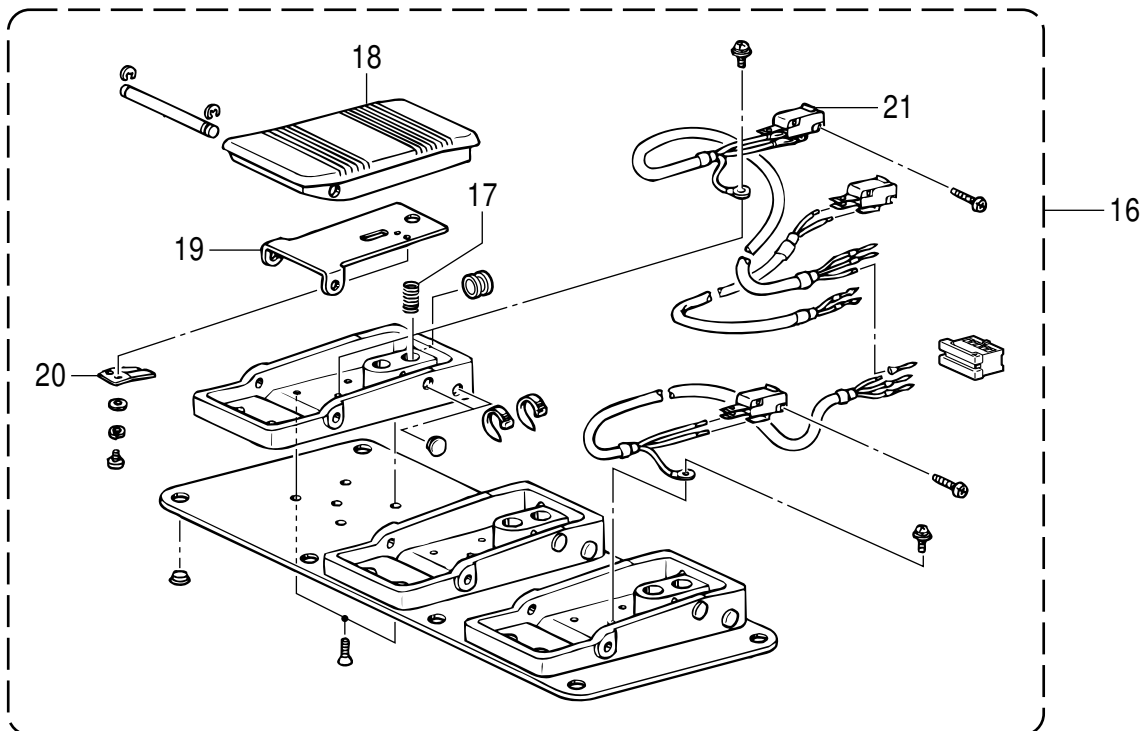
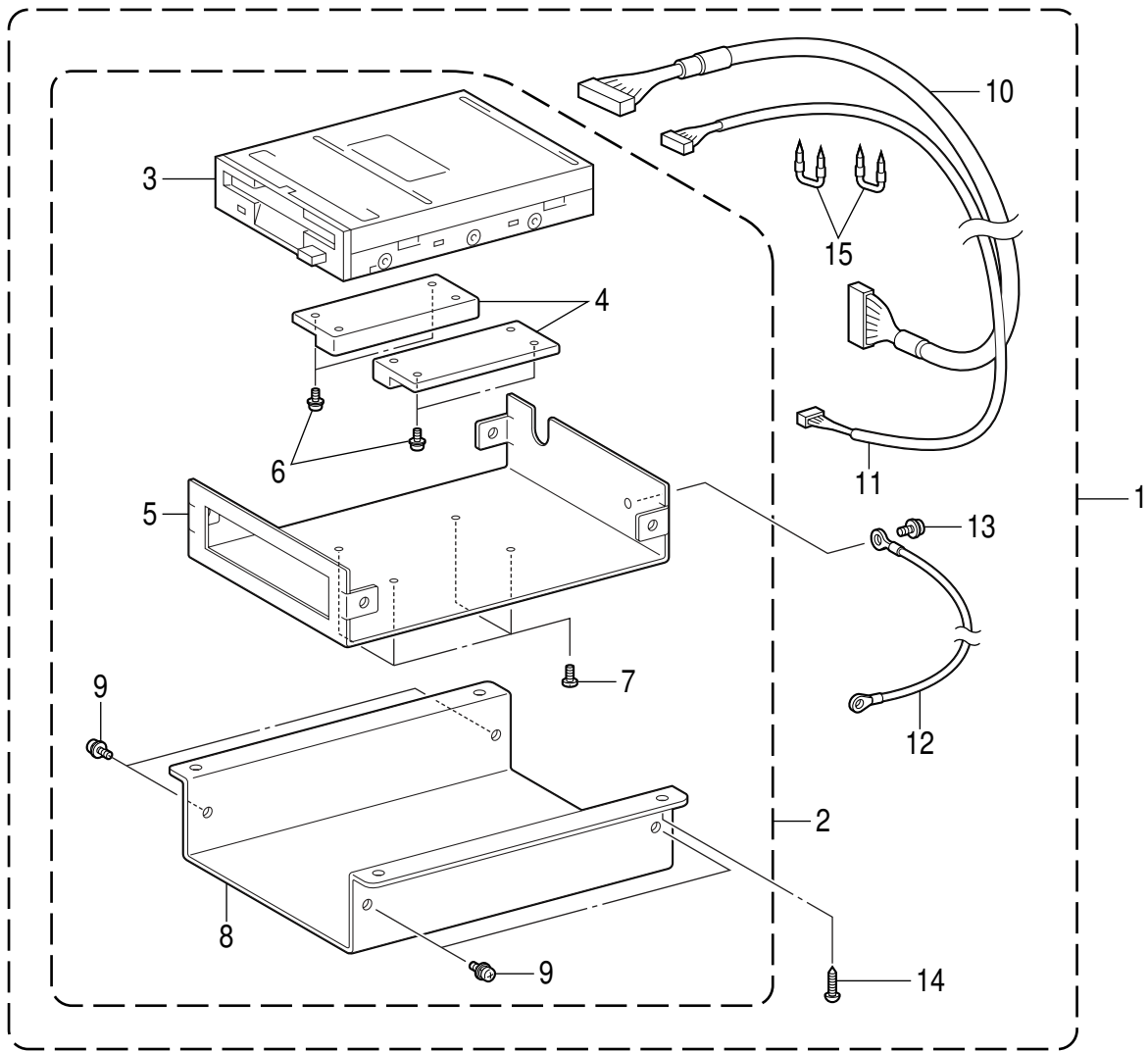
BAS-311G/326G-940



V1. 附属装置(选购件) / Attachment set (Option parts)

参照号	零部件序号	数量	零部件名称	NAME OF PARTS	RM
			<b>&lt;用于欧洲以外&gt;</b>	<b>&lt;Except for Europe&gt;</b>	
1	SA5193001	1	断线传感装置组件 F	TR-BREAKAGE DETECTOR SET F	
2	SA4816001	1	信号放大器 FX311	FIBER AMP FX311	
3	SA4817001	1	电缆线组件	AMP CABLE ASSY	
4	SA4818001	1	放大器安装支架	DIN METAL FITTING	
5	062300616	2	螺钉 M3X6	SCREW PAN M3X6	
6	SA4819001	1	光纤传感器 FDFM2	FIBER FDFM2	
7	SA5194001	1	传感器安装板	SENSOR SETTING PLATE	
8	062500616	1	螺钉 M5X6	SCREW PAN M5X6	
9	625010000	1	尼龙夹 NK-2N	NYLON CLAMP NK-2N	
10	0A5401006	1	螺栓(带垫圈) M4X10DB	SCREW PAN (S/P WASHER) M4X10	
			<b>&lt;用于欧洲&gt;</b>	<b>&lt;For Europe only&gt;</b>	
1	SA51930E1	1	断线传感装置组件 F	TR-BREAKAGE DETECTOR SET F	
2	SA48160E1	1	信号放大器 FX311	FIBER AMP FX311	
3	SA4817001	1	电缆线组件	AMP CABLE ASSY	
4	SA4818001	1	放大器安装支架	DIN METAL FITTING	
5	062300616	2	螺钉 M3X6	SCREW PAN M3X6	
6	SA4819001	1	光纤传感器 FDFM2	FIBER FDFM2	
7	SA5194001	1	传感器安装板	SENSOR SETTING PLATE	
8	062500616	1	螺钉 M5X6	SCREW PAN M5X6	
9	625010000	1	尼龙夹 NK-2N	NYLON CLAMP NK-2N	
10	0A5401006	1	螺栓(带垫圈) M4X10DB	SCREW PAN (S/P WASHER) M4X10	

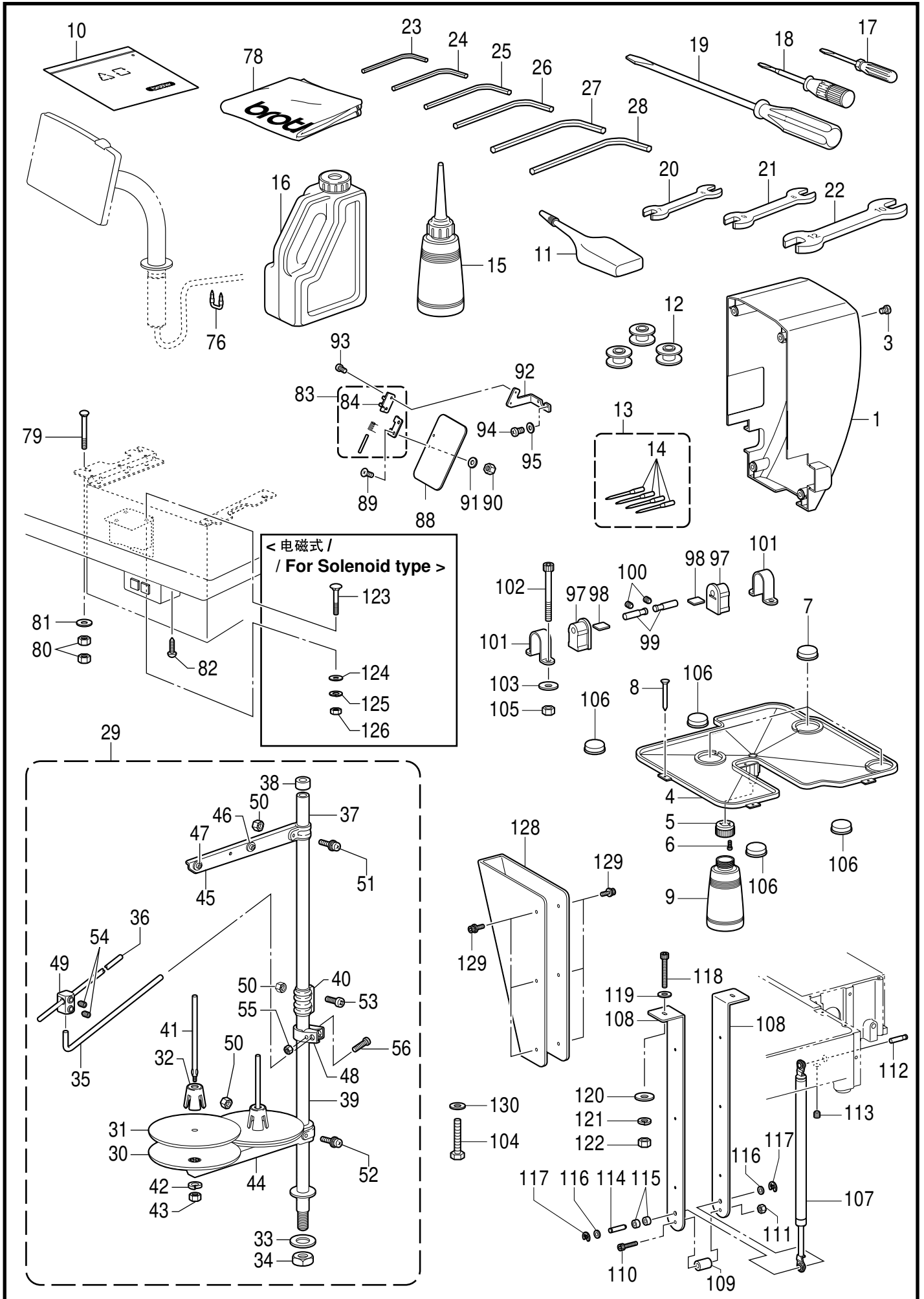
V2 . 附属装置(选购件) / Attachment set (Option parts)





V2. 附属装置(选购件) / Attachment set (Option parts)

参照号	零部件序号	数量	零部件名称	NAME OF PARTS	RM
			<b>&lt;用于欧洲以外&gt;</b>	<b>&lt;Except for Europe&gt;</b>	
1	SA5201001	1	FDD大组件	FDD SET	
2	SA5202001	1	FDD复合件	FDD UNIT ASSY	
3	SA6628001	1	FDD	FDD	
4	S43225000	2	FDD隔离板	SPACER, FDD	
5	SA5203001	1	FDD机座板	FDD BASE PLATE	
6	0A4300605	4	螺栓(带垫圈) M3X6DA	SCREW PAN (S/P WASHER) M3X6	
7	037300816	4	螺销 M3X8	TAPPING SCREW PAN V M3X8	
8	SA5204001	1	FDD盖	FDD COVER	
9	0A4300805	4	螺栓(带垫圈) M3X8DA	SCREW PAN (S/P WASHER) M3X8	
10	SA5205001	1	FDD接线	FDD HARNESS	
11	SA5206001	1	FDD电源线	FDD POWER HARNESS	
12	SA5134001	1	接地线	GROUND WIRE	
13	0A4300805	1	螺栓(带垫圈) M3X8DA	SCREW PAN (S/P WASHER) M3X8	
14	032421302	4	木螺钉 M4.1X13	WOOD SCREW ROUND 2 M4.1X13	
15	200190001	2	U形卡钉	STAPLE 10X20	
			<b>&lt;用于欧洲&gt;</b>	<b>&lt;For Europe only&gt;</b>	
1	SA52010E1	1	FDD大组件	FDD SET	
2	SA52020E1	1	FDD复合件	FDD UNIT ASSY	
3	SA6628001	1	FDD	FDD	
4	S43225000	2	FDD隔离板	SPACER, FDD	
5	SA5203001	1	FDD机座板	FDD BASE PLATE	
6	0A4300605	4	螺栓(带垫圈) M3X6DA	SCREW PAN (S/P WASHER) M3X6	
7	037300816	4	螺销 M3X8	TAPPING SCREW PAN V M3X8	
8	SA5204001	1	FDD盖	FDD COVER	
9	0A4300805	4	螺栓(带垫圈) M3X8DA	SCREW PAN (S/P WASHER) M3X8	
10	SA5205001	1	FDD接线	FDD HARNESS	
11	SA5206001	1	FDD电源线	FDD POWER HARNESS	
12	SA5134001	1	接地线	GROUND WIRE	
13	0A4300805	1	螺栓(带垫圈) M3X8DA	SCREW PAN (S/P WASHER) M3X8	
14	032421302	4	木螺钉 M4.1X13	WOOD SCREW ROUND 2 M4.1X13	
15	200190001	2	U形卡钉	STAPLE 10X20	
			<b>&lt;用于欧洲以外&gt;</b>	<b>&lt;Except for Europe&gt;</b>	
16	SA6495001	1	3连脚踏开关组件	3-PEDAL FOOT SW ASSY	
17	S38170001	3	弹簧	FOOT PEDAL SPRING	
18	S38174000	3	脚踏板	FOOT PEDAL	
19	S38175101	3	脚踏护板	PROTECTION PLATE PEDAL	
20	S38176101	3	弹簧板	SPRING, PLATE	
21	S36260000	1	开关 VX	PIN BUTTON MICRO SWITCH, VX	
			<b>&lt;用于欧洲&gt;</b>	<b>&lt;For Europe only&gt;</b>	
16	SA64950E1	1	3连脚踏开关组件	3-PEDAL FOOT SW ASSY	
17	S38170001	3	弹簧	FOOT PEDAL SPRING	
18	S38174000	3	脚踏板	FOOT PEDAL	
19	S38175101	3	脚踏护板	PROTECTION PLATE PEDAL	
20	S38176101	3	弹簧板	SPRING, PLATE	
21	S36260000	1	开关 VX	PIN BUTTON MICRO SWITCH, VX	



## Z. 附件 / Accessories







参照号	零部件序号	数量	零部件名称	NAME OF PARTS	RM
1	SA4842001	1	马达盖	MOTOR COVER	
3	062061016	4	螺钉 M6X10	SCREW PAN M6X10	
4	SA4844001	1	油盘	OIL PAN	
5	154467001	1	废油回收壶盖	DUST OILER	
6	037301215	2	螺销 M3X12	TAPPING SCREW PAN V M3X12	
7	SA3540001	3	缓冲橡皮垫	RUBBER CUSHION	
8	109714000	7	钉	NAIL	
9	114486002	1	油壶	OILER	
10	122991001	1	附属品塑料袋	ACCESSORY BAG	
11	S06706001	1	硅油	SILICONE OIL	
12	S44633001	3	梭芯 LAN	BOBBIN, LAN	
13	* P. 67	1	机针组件(4支装)	NEEDLE 4PIECE ASSY	
14	* P. 67	4	机针	NEEDLE	
15	114483002	1	油壶组件	OILER ASSY	
16	S55663001	1	油罐组件	OIL TANK ASSY	
17	142443001	1	小起子 1.9X52	SCREW-DRIVER, 1.9X52	
18	118837001	1	起子 3.4X70	SCREW-DRIVER, 3.4X70	
19	101572102	1	起子 5.5X190	SCREW-DRIVER, 5.5X190	
20	107779001	1	扳手 6X7	WRENCH, 6X7	
21	100887001	1	双头扳手 8X9	WRENCH, 8X9	
22	107780001	1	扳手 10X12	WRENCH, 10X12	
23	S07783001	1	内六角扳手 1.5	HEXAGONAL WRENCH, 1.5	
24	142002001	1	内六角扳手 2	HEXAGONAL WRENCH, 2	
25	154125001	1	内六角扳手 2.5	HEXAGONAL WRENCH, 2.5	
26	142721001	1	内六角扳手 3	HEXAGONAL WRENCH, 3	
27	118064001	1	内六角扳手 4	HEXAGONAL WRENCH, 4	
28	150335001	1	内六角扳手 5	HEXAGONAL WRENCH, 5	
29	S40574209	1	线架组件 2DTHF	COTTON STAND ASSY, 2DTHF	
30	S51283001	2	垫圈	SPOOL STAND BASE	
31	150182000	2	线盘软垫	SPOOL MAT	
32	S51282101	2	线轴缓冲架	SPOOL CUSHION	
33	150206002	1	平垫圈 16	WASHER, PLAIN 16	
34	S38648001	1	螺母 U5/8-28	NUT, U5/8-28	
35	S04109001	1	过线杆支杆	THREAD GUIDE SUPPORT BAR	
36	142997001	1	过线杆 3	THREAD GUIDE, 3	
37	150172003	1	线架支撑管	COLUMN PIPE	
38	150174000	1	线架支撑管套	COLUMN CAP	
39	156112003	1	线架撑管 D	COLUMN PIPE, D	
40	150173003	1	撑管夹	COLUMN JOINT	
41	150179002	2	线轴 B	SPOOL SHAFT, B	
42	028050246	2	弹簧垫圈 2-5	WASHER SPRING 2-5	
43	021500106	2	六角螺母 M5	NUT 1 M5	
44	S02778002	1	插线架 2	SPOOL HOLDER, 2	
45	S02787002	1	过线架 2	THREAD HANGER, 2	
46	150183000	2	过线管套	THREAD HANGER BASE	
47	142990001	2	过线架上过线管	THREAD BUSH	
48	150185009	1	过线杆夹头	THREAD GUIDE HOLDER	
49	138843001	1	连接器	JOINT	
50	021500106	4	六角螺母 M5	NUT 1 M5	
51	S37038001	1	螺钉 M5X14	SCREW, PAN(S/P WASHER) M5X14	
52	S37037001	1	螺钉 M5X32	SCREW, PAN (S/P WASHER) M5X32	
53	062501406	2	螺钉 M5X14	SCREW PAN M5X14	
54	014060632	2	固定螺钉 M6X6	SET SCREW SOCKET (CP) M6X6	
55	021500106	1	六角螺母 M5	NUT 1 M5	
56	S37037001	1	螺钉 M5X32	SCREW, PAN (S/P WASHER) M5X32	



## Z. 附件 / Accessories

参照号	零部件序号	数量	零部件名称	NAME OF PARTS	RM
76	200190001	7	U形卡钉	STAPLE,10X20	
78	144226001	1	机头罩	HEAD COVER	
79	S36007001	4	螺栓 M8X55	BOLT, M8X55	
80	021080106	8	六角螺母 M8	NUT 1 M8	
81	025080336	4	平垫圈 L8	WASHER PLAIN L 8	
82	032461606	2	木螺钉 M4. 5X16	WOOD SCREW ROUND 2 M4.5X16	
83	S44483001	1	铰链组件	HINGE ASSY	
84	S44484001	1	护眼板铰链	EYE GUARD HINGE	
88	S44485001	1	护眼板	EYE GUARD	
89	061300816	2	螺钉 M3X8	SCREW FLAT M3X8	
90	021300106	2	螺母 M3	NUT 1 M3	
91	026030236	2	垫圈 M3	WASHER PLAIN M 3	
92	SA4104001	1	护眼板架 A	EYE GUARD HOLDER, A	
93	062300506	2	螺钉 M3X5	SCREW PAN M3X5	
94	062400616	2	螺钉 M4X6	SCREW PAN M4X6	
95	026040136	2	平垫圈 S4	WASHER PLAIN S 4	
97	SA3395001	2	橡皮铰链	RUBBER CUSHION	
98	SA3392001	2	垫片	SPACER	
99	SA3384001	2	机头支承销	PIN	
100	012060636	2	螺钉 M6X6	SET SCREW SOCKET (FT) M6X6	
101	SA3385001	2	头部铰链座	HINGE HOLDER	
102	018065036	4	螺栓 M6X50	BOLT SOCKET M6X50	
103	213650001	4	垫圈 2. 3X8. 5X38	WASHER, 2.3X8.5X38ST	
104	017066002	1	螺栓 M6X60	BOLT M6X60	
105	021060106	4	螺母 M6	NUT 1 M6	
106	SA3540001	4	缓冲橡皮垫	RUBBER CUSHION	
107	SA4845001	1	缓冲器	SHOCK ABSORBER GAS	
108	SA4846001	2	缓冲器支架	HOLDER ABSORBER	
109	SA5251001	1	垫圈	SPACER	
110	018064031	1	螺栓 M6X40	BOLT SOCKET M6X40	
111	021060106	1	螺母 M6	NUT 1 M6	
112	SA4847001	1	轴 U	SHAFT U	
113	012060636	1	螺钉 M6X6	SET SCREW SOCKET (FT) M6X6	
114	S17974001	1	轴 D	SHAFT, D	
115	S17975100	2	轴套 GS	SHAFT COLLAR, GAS	
116	025080132	2	垫圈 S8	WASHER PLAIN S 8	
117	048060342	2	挡圈 E6	RETAINING RING E6	
118	SA3387001	2	螺栓 M6X75	BOLT SOCKET M6X75	
119	025060236	2	平垫圈 M6	WASHER PLAIN M 6	
120	213650001	2	垫圈 2. 3X8. 5X38	WASHER, 2.3X8.5X38ST	
121	028060246	2	弹簧垫圈 2-6	WASHER SPRING 2-6	
122	021060106	2	螺母 M6	NUT 1 M6	
			<电磁式>	<For Solenoid type>	
123	119755001	3	螺栓 M6X60	BOLT, M6X60	
124	025060236	3	平垫圈 M6	WASHER PLAIN M 6	
125	028060246	3	弹簧垫圈 2-6	WASHER SPRING 2-6	
126	021060106	3	螺母 M6	NUT 1 M6	
128	SA6261001	1	支架盖	HOLDER ABSORBER COVER	
129	S55479001	6	螺栓(带垫圈) M4X8	BOLT SOCKET (S/P WASHER) M4X8	
130	025060236	1	平垫圈 M6	WASHER PLAIN M6	

# Wa. 警告标签 / Warning labels

警告标签 / Warning labels	零部件名称 / Name of parts	尺寸 / Size(mm)	零部件序号 / Code
	<p>感电标签 (6国) Label, elec. shock 6 lang</p>	<p>50 X 118</p>	<p>J04115-001</p>
	<p>操作注意标签 (日 / 英) Label, caution Jpn / Eng</p>	<p>52 X 84</p>	<p>SA0792-001</p>
	<p>操作注意标签 (中 / 英) Label, caution Chn / Eng</p>	<p>52 X 84</p>	<p>SA0793-001</p>
	<p>警告标记 Mark, injury</p>	<p>L=25 R=1.2</p>	<p>S36924-002</p>
	<p>接地标记 Label, grounding</p>	<p>φ 12</p>	<p>S37060-001</p>
	<p>PE标记 Label, PE</p>	<p>7.5 X 12.5</p>	<p>S37059-001</p>

## Sp . 不同规格零部件一览表 / Different parts list

BAS-311G/326G 还预备了下列零部件，请在各种领域中使用。











The following are standard gauge parts according to each specification.

◎表中带有 ★号的零部件是与KE-430C(电脑平缝打结机)，BE-438C(电脑平缝钉扣机)通用的。

◎In the following table, parts marked with ★ are common with the KE-430D (Electronic Lockstitch Tacker) & BE-438D (Electronic Lockstitch Button sewer).

◎表中带有 ☆号的零部件是与BAS-311F(程序式电脑缝纫机)通用的。

◎In the following table, parts marked with ☆ are common with the BAS-311F (Electronic program Lock Stitcher) .

名称 Part name	规格 Spec.	厚布料 Heavy-weight materials	中厚布料 Medium-weight materials
(J-66) 针孔板 Needle hole plate 		★ (φ2.4) SA3336-101	(φ2.2) SA5221-001
(E-35) 梭芯套组件 Bobbin case assy 		S59221-201 < LC >	
(E-36) 夹线簧 Tension spring 		S48664-001	
(E-37) 螺钉 Screw 		S16492-101	
(E-38) 防空转弹簧 Anti-spin spring 		S15667-001	
(E-39) 梭芯 Bobbin 		S44633-001 < LAN >	
(E-42) 中旋梭组件 Shuttle hook assy, w/box 		★ ☆ SA1890-201 < LG >	★ ☆ SA2173-201 < LF >
(E-34) 外旋梭 Shuttle race base 		★ ☆ 152686-201 < B >	★ ☆ 152682-201 < A >
(G-30) 挑线弹簧 Spring,tension 		★ ☆ 107606-101	★ ☆ 104525-101
(G-9) 调节弹簧 Thread take-up spring 		★ ☆ 144588-201	★ ☆ 145519-201





## Sp . 不同规格零部件一览表 / Different parts list

◎表中带有 ★ 号的零部件是与KE-430C(电脑平缝打结机) , BE-438C(电脑平缝钉扣机) 通用的。

◎In the following table, parts marked with ★ are common with the KE-430D (Electronic Lockstitch Tacker) & BE-438D (Electronic Lockstitch Button sewer).

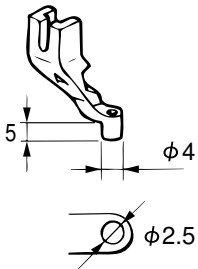
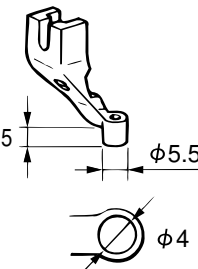
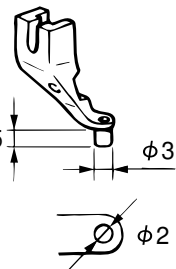
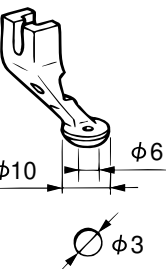
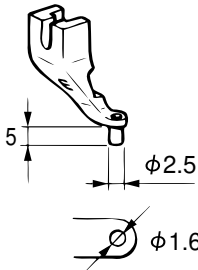

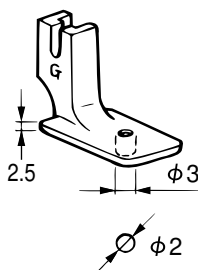
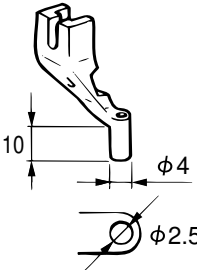
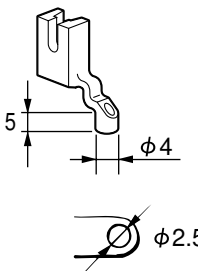
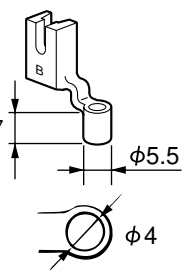
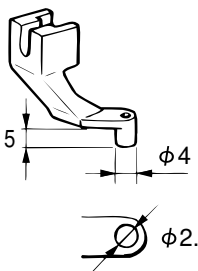
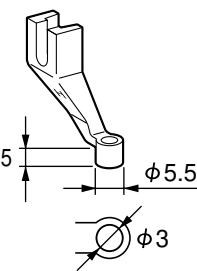
◎表中带有 ☆ 号的零部件是与BAS-311F(程序式电脑缝纫机) 通用的。

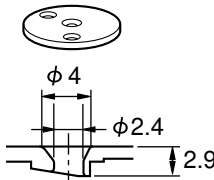
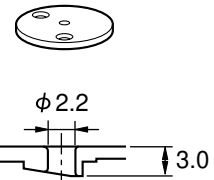
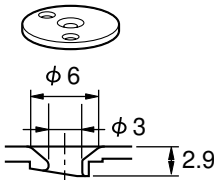
◎In the following table, parts marked with ☆ are common with the BAS-311F (Electronic program Lock Stitcher) .

名称 Part name	规格 Spec.	厚布料 Heavy-weight materials	中厚布料 Medium-weight materials
(G-28) 弹簧 Spring,tension		SA4146-101 ★	
(G-20) 针杆线导向 Needle bar thread guide		SA3257-101 < A > ★	
(Z-13) 机针组件(4支装) Needle assy		SA1645-019 ★ ☆	SA1752-016 ★ ☆
(B-32, Z-14) 机针 Needle		DP×17 < #19 > 145646-019 ★ ☆	DP×5 < #16 > 107415-016 ★ ☆
(D-57) 压脚 Presser foot		SA4811-001 < H >	S42843-001 < A >



Ga . 工模具一览表 / Gauge parts list

压脚 / Presser foot			
A / S42843-001 *	B / S42844-001	C / S42845-001	D / S42846-001
			
E / S42847-001	F / 157237-001	G / 158592-001	J / S42848-001
			
A-CUT / S40214-001	B-L / S49448-001	XA / S42849-101	H / SA4811-001 *
			

针孔板 / Needle hole plate		
2.4 C0.4 / SA3336-001 *	2.2 / SA5221-001 *	3.0 C1.5 / SA5222-001 *
		

印有\*记号的为标准零部件

The \* symbol is for Standard parts.

## 索引 / INDEX

CODE	REF.NO	Page	CODE	REF.NO	Page	CODE	REF.NO	Page	CODE	REF.NO	Page
004300513	A -16	2	012501031	C4 -34	14	021060306	J -32	32	048040342	L -12	38
012060536	B -52	4	014060632	Z -54	62		J -41	32	048050142	C4 -6	14
	C2 -54	8	014400632	S -3	52	021080106	Z -80	64	048050342	H -10	30
	C2 -59	8	014500632	S -16	52	021300103	A -19	2		H -19	30
	C3 -14	12	016061031	D2 -32	18	021300106	Z -90	64	048060142	C4 -9	14
	C3 -32	12		D2 -36	18	021400216	C2 -37	8	048060342	Z -117	64
	C4 -19	14		D3 -15	20	021400306	L -6	38	048070342	E -31	22
	D1 -55	16	017061216	D1 -12	16	021500106	R -16	50	048080142	C3 -11	12
	E -6	22	017065002	D1 -45	16		Z -43	62		C3 -29	12
012060636	B -24	4	017066002	Z -104	64		Z -50	62		C4 -16	14
	B -48	4	017400802	J -5	32		Z -55	62		D1 -29	16
	C1 -19	6		L -2	38	021500216	C3 -23	12		J -44	32
	C1 -29	6	017401415	L -5	38		C3 -47	12	048080342	C2 -8	8
	C2 -3	8	017501616	C3 -51	12		C4 -30	14		D2 -12	18
	C2 -6	8		C4 -40	14		C4 -35	14	048100142	C1 -17	6
	C2 -10	8	018061236	D2 -59	18	025030236	J -65	34		C3 -3	12
	C2 -16	8		D3 -29	20		J -72	34		D2 -28	18
	C3 -10	12	018062036	C2 -1	8	025040236	C1 -36	6		D3 -11	20
	C3 -19	12	018064031	Z -110	64		D2 -30	18	048420242	C1 -21	6
	C3 -28	12	018065036	Z -102	64		D3 -13	20	060400516	K -21	36
	C4 -3	14	018081636	R -14	50		J -7	32	061300616	C1 -6	6
	C4 -15	14	018300636	C1 -5	6		K -10	36		C1 -8	6
	D1 -14	16	018301436	C1 -3	6		L -4	38		C1 -34	6
	D1 -24	16	018400636	D2 -39	18	025050236	C1 -24	6	061300816	Z -89	64
	D1 -30	16		D3 -18	20		C3 -35	12	062060816	F -33	24
	D1 -36	16		F -10	24		C3 -52	12	062061016	A -7	2
	D2 -10	18		R -8	50		C4 -41	14		A -9	2
	D2 -13	18	018400836	C1 -10	6		L -13	38		A -13	2
	D2 -25	18		C1 -13	6		R -13	50		F -3	24
	D2 -33	18		C2 -21	8	025050336	R -17	50		H -37	30
	D2 -37	18		D1 -48	16	025060236	Z -119	64		Z -3	62
	D2 -41	18		K -9	36		Z -124	64	062300416	C2 -48	8
	D2 -57	18	018401036	C2 -52	8		Z -130	64		D1 -20	16
	D3 -8	20		C2 -57	8	025080132	Z -116	64		J -64	34
	D3 -16	20		C2 -68	10	025080336	Z -81	64		J -73	34
	D3 -20	20		D2 -2	18	025100132	C1 -16	6	062300506	A -38	2
	D3 -34	20		D2 -23	18	025350332	A -35	2		Z -93	64
	D3 -35	20		D3 -6	20	026030136	E -21	22	062300616	E -22	22
	E -9	22	018401636	B -27	4	026030236	Z -91	64		K -7	36
	E -13	22	018402036	C1 -31	6	026040136	Z -95	64		V1 -5	58
	E -30	22		C1 -35	6	028030246	J -71	34	062300816	Q -6	48
	G -23	28		C2 -23	8	028040246	C1 -37	6	062350616	H -8	30
	J -45	32	018500836	C3 -34	12		F -66	26	062400416	C2 -28	8
	J -54	32	018501036	C2 -66	10		J -6	32		C2 -49	8
	Z -100	64		D2 -20	18		L -3	38		D2 -5	18
	Z -113	64		D3 -3	20	028050246	C3 -36	12	062400616	D1 -6	16
012400436	D1 -25	16	018501232	E -33	22		C3 -53	12		D2 -29	18
	D1 -31	16	018501236	J -48	32		C4 -42	14		D2 -54	18
	H -17	30	018501636	B -3	4		J -49	32		D2 -56	18
	H -24	30		B -49	4		P -13	46		D3 -12	20
	J -9	32		C1 -23	6		Z -42	62		D3 -27	20
012500536	B -21	4	018503036	P -14	46	028060246	Z -121	64		F -5	24
	B -36	4	021060106	D1 -10	16		Z -125	64		F -12	24
	B -43	4		D1 -46	16	032421302	V2 -14	60		F -35	24
	D2 -46	18		J -23	32	032422003	P -20	46		F -65	26
	D2 -51	18		J -34	32	032461606	Z -82	64		Z -94	64
	D3 -25	20		J -39	32	037300816	V2 -7	60	062400816	B -22	4
	E -11	22		Z -105	64	037301215	Z -6	62		B -34	4
	E -41	22		Z -111	64	047401242	B -41	4	062401006	A -24	2
	H -3	30		Z -122	64	048030342	K -19	36		B -46	4
	H -36	30		Z -126	64	048040142	C3 -6	12		B -51	4
012501031	C3 -46	12	021060306	D1 -41	16	048040342	J -20	32		C2 -27	8
	C4 -29	14		J -25	32		K -12	36		F -45	24

CODE	REF.NO	Page	CODE	REF.NO	Page	CODE	REF.NO	Page	CODE	REF.NO	Page
062401216	H - 13	30	117934001	A - 4	2	154596000	J - 30	32	S10112001	D1 - 52	16
062500616	G - 2	28	118064001	Z - 27	62	154599000	J - 10	32	S10268001	H - 27	30
	G - 4	28	118208001	D2 - 14	18		L - 8	38	S10408000	R - 15	50
	G - 6	28	118550001	D3 - 32	20	156112003	Z - 39	62	S10438001	H - 18	30
	H - 30	30	118735001	C2 - 63	10	157237001	Ga	68	S10470101	K - 20	36
	V1 - 8	58	118837001	Z - 18	62	158592001	Ga	68	S12441001	G - 29	28
062501406	Z - 53	62	119755001	Z - 123	64	159163000	D3 - 30	20		H - 35	30
062670412	G - 26	28	120265002	A - 27	2	159224001	G - 19	28	S12699000	G - 16	28
070696800	D2 - 44	18	120448001	H - 23	30	159486001	H - 9	30	S13399001	D1 - 58	16
	D2 - 49	18	122991001	Z - 10	62		H - 25	30	S15667001	Sp	66
	D3 - 23	20	138843001	Z - 49	62	159805001	G - 12	28	S16492101	Sp	66
076000600	C1 - 15	6	141362001	D1 - 34	16	200190001	V2 - 15	60	S17974001	Z - 114	64
076806606	C1 - 20	6	142002001	Z - 24	62		Z - 76	64	S17975100	Z - 115	64
081003670	E - 15	22	142211001	B - 25	4	213650001	Z - 103	64	S20164001	A - 33	2
081007070	L - 17	38	142274101	F - 47	24		Z - 120	64		A - 42	2
0A4261005	S - 8	52	142443001	Z - 17	62	218859001	L - 18	38	S20356001	C1 - 26	6
0A4300605	V2 - 6	60	142721001	Z - 26	62		Q - 18	48		D2 - 11	18
0A4300805	S - 6	52	142990001	Z - 47	62	228475000	P - 27	46		D2 - 52	18
	S - 14	52	142997001	Z - 36	62	231071001	J - 27	32	S23418001	C2 - 62	10
	V2 - 9	60	144226001	Z - 78	64	525567000	F - 39	24	S23418002	H - 15	30
	V2 - 13	60	144458001	B - 29	4		F - 55	24	S23651001	B - 8	4
0A4401005	S - 12	52	144588201	Sp	66		Q - 1	48		B - 11	4
0A5300606	S - 10	52	145446001	G - 13	28	525664000	F - 41	24		B - 14	4
0A5301605	Q - 8	48		G - 18	28		P - 25	46		B - 17	4
0A5401005	P - 26	46	145446002	H - 32	30	537060001	M1 - 12	40		B - 44	4
0A5401006	C2 - 33	8	145465001	B - 23	4	552907000	F - 61	26		D1 - 5	16
	F - 40	24	145519201	Sp	66	554482000	Q - 15	48		D1 - 15	16
	F - 42	24	145547001	F - 34	24	616167001	M2 - 12	42		E - 8	22
	Q - 4	48	145646019	Sp	67	623033000	D1 - 4	16		H - 39	30
	Q - 9	48	146288001	K - 22	36	625010000	V1 - 9	58		J - 2	32
	Q - 14	48	146354002	J - 50	32	J03955001	S - 2	52		J - 26	32
	Q - 17	48	148847001	P - 21	46	J03956001	S - 4	52	S23849001	C2 - 36	8
	V1 - 10	58	149097000	K - 16	36	J03957001	S - 5	52		C3 - 38	12
100136001	G - 27	28	149287000	Q - 3	48	J03958001	S - 7	52		C4 - 21	14
100360003	J - 67	34	149547000	F - 38	24	J04115001	M1 - 11	40	S25235001	B - 15	4
100401022	H - 33	30		Q - 2	48		Wa	65	S25279001	K - 14	36
100402004	G - 14	28	149796001	P - 16	46	J04230001	S - 11	52	S25310101	D1 - 37	16
100887001	Z - 21	62	150172003	Z - 37	62	J04303001	S - 15	52		F - 69	26
101572102	Z - 19	62	150173003	Z - 40	62	J04388001	S - 13	52		J - 68	34
102630001	D2 - 8	18	150174000	Z - 38	62	J04488001	S - 9	52	S25454001	K - 13	36
102707002	L - 7	38	150179002	Z - 41	62	J80991001	S - 1	52	S25456001	K - 4	36
104449001	A - 11	2	150182000	Z - 31	62	S00400000	F - 52	24	S25475101	J - 33	32
104525101	Sp	66	150183000	Z - 46	62	S00470000	Q - 16	48	S25634101	R - 12	50
104567101	F - 18	24	150185009	Z - 48	62	S00705001	J - 61	34	S31032001	G - 11	28
104821001	A - 5	2	150206002	Z - 33	62	S02429201	E - 17	22		H - 34	30
	D3 - 31	20	150335001	Z - 28	62	S02445001	A - 34	2	S32462001	D1 - 44	16
107415016	Sp	67	151439102	D1 - 59	16	S02652001	J - 11	32		J - 24	32
107606101	Sp	66	152682201	Sp	66	S02778002	Z - 44	62		J - 31	32
107779001	Z - 20	62	152684101	E - 20	22	S02787002	Z - 45	62		J - 40	32
107780001	Z - 22	62	152686201	Sp	66	S03677001	K - 23	36	S32465001	J - 22	32
109714000	Z - 8	62	152744001	D2 - 7	18	S04109001	Z - 35	62		J - 38	32
109763001	D2 - 45	18	152881001	G - 22	28	S04159000	J - 12	32	S32557000	E - 43	22
	D2 - 50	18	152883000	G - 24	28		L - 10	38	S35079000	D2 - 35	18
	D3 - 24	20	152884001	G - 25	28		Q - 19	48	S36007001	Z - 79	64
110367001	B - 18	4	152936001	H - 6	30		Q - 21	48	S36260000	T - 5	54
	C3 - 12	12	152937001	H - 7	30	S04891000	P - 8	46		V2 - 21	60
	C3 - 30	12	152948001	F - 20	24	S06706001	Z - 11	62	S36475000	A - 29	2
	C4 - 17	14	153049001	G - 7	28	S07350002	A - 28	2	S36924002	A - 30	2
110735001	K - 18	36	153050000	E - 23	22	S07459100	F - 15	24		Wa	65
111466101	D1 - 56	16	153252000	P - 7	46		F - 22	24	S37037001	Z - 52	62
114483002	Z - 15	62	153274001	P - 11	46	S07783001	Z - 23	62		Z - 56	62
114486002	Z - 9	62	154125001	Z - 25	62	S09043000	F - 27	24	S37038001	Z - 51	62
117608001	A - 2	2	154467001	Z - 5	62	S09228000	P - 6	46	S37059001	M1 - 13	40

## 索引 / INDEX

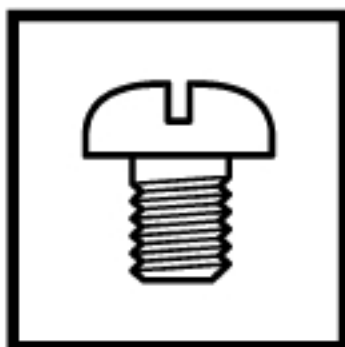
CODE	REF.NO	Page	CODE	REF.NO	Page	CODE	REF.NO	Page	CODE	REF.NO	Page
S37059001	Wa	65	S55484002	C3 -55	12	SA3294001	H -14	30	SA3769001	M2 -7	42
S37060001	A -32	2		C4 -39	14	SA3295001	H -16	30	SA3770001	M2 -8	42
	Wa	65		C4 -44	14	SA3296001	H -21	30	SA3771001	M2 -9	42
S38168001	T -3	54		J -13	32	SA3297001	H -22	30	SA3789101	N -11	44
S38170001	T -4	54	S55485001	C3 -45	12	SA3298001	H -28	30	SA3794001	M2 -10	42
	V2 -17	60		C4 -28	14	SA3299001	H -29	30	SA3795001	M2 -11	42
S38174000	T -6	54		C4 -33	14	SA3301101	J -1	32	SA3796001	M1 -15	40
	V2 -18	60		K -25	36	SA3306001	A -26	2	SA3797001	M1 -4	40
S38175001	T -7	54	S55663001	Z -16	62		L -15	32	SA3806001	M1 -10	40
S38175101	V2 -19	60	S59221201	Sp	66		L -16	38	SA3808001	M1 -3	40
S38176101	T -8	54	S59886001	E -29	22	SA3307001	J -8	32	SA3809001	N -8	44
	V2 -20	60	SA0792001	A -31	2	SA3309101	J -16	32	SA3812001	N -7	44
S38265000	F -46	24		Wa	65	SA3310001	J -17	32	SA3813001	N -1	44
S38648001	Z -34	62	SA0793001	A -31	2	SA3311001	J -18	32	SA3816001	N -6	44
S38713100	B -33	4		Wa	65	SA3312001	J -28	32	SA3819001	N -3	44
S39116100	P -3	46	SA1174001	D1 -49	16	SA3313101	J -29	32	SA3822001	N -2	44
S40214001	Ga	68	SA1175001	D1 -50	16	SA3315001	J -21	32	SA3823001	N -5	44
S40574209	Z -29	62	SA1645019	Sp	67	SA3317001	J -36	32	SA3824001	N -14	44
S41205001	K -3	36	SA1752016	Sp	67	SA3319101	J -42	32	SA3825001	N -4	44
S41206001	K -2	36	SA1890201	Sp	66	SA3320101	J -46	32	SA3826001	N -9	44
S42446001	A -37	2	SA1967001	K -11	36	SA3321001	J -47	32	SA3827001	N -10	44
	C2 -39	8	SA1984001	H -12	30	SA3324001	J -51	32	SA3828001	N -13	44
	C2 -43	8	SA1988001	H -26	30	SA3325001	J -52	32	SA3831001	R -2	50
	C2 -60	8	SA1994101	H -31	30	SA3327101	J -55	32	SA3833101	R -3	50
S42843001	Sp	67	SA2161001	D1 -28	16	SA3330101	J -58	34	SA4104001	Z -92	64
	Ga	68	SA2173201	Sp	66	SA3334001	J -62	34	SA4143001	G -15	28
S42844001	Ga	68	SA2195001	D1 -54	16	SA3335001	J -63	34	SA4146001	G -28	28
S42845001	Ga	68	SA2287001	K -15	36	SA3336001	Ga	68	SA4146101	Sp	67
S42846001	Ga	68	SA2663001	D1 -40	16	SA3336101	Sp	66	SA4171001	H -5	30
S42847001	Ga	68	SA2958001	B -20	4	SA3347001	L -11	38	SA4172001	B -4	4
S42848001	Ga	68	SA2972001	C2 -22	8	SA3348001	L -14	38	SA4173001	B -4	4
S42849101	Ga	68	SA3200101	A -23	2	SA3349001	L -15	38	SA4174001	B -4	4
S43225000	V2 -4	60	SA3206001	B -5	4	SA3384001	Z -99	64	SA4175001	B -4	4
S43236009	R -9	50		B -9	4	SA3385001	Z -101	64	SA4177001	B -10	4
S43674000	R -10	50	SA3224001	B -31	4	SA3387001	Z -118	64	SA4178001	B -13	4
S43675000	R -11	50	SA3226001	E -1	22	SA3392001	Z -98	64	SA4179001	B -6	4
S44010001	A -40	2	SA3227001	D1 -42	16	SA3395001	Z -97	64	SA4180001	B -7	4
S44483001	Z -83	64		E -2	22	SA3438001	D2 -16	18	SA4199001	E -18	22
S44484001	Z -84	64	SA3228101	E -3	22	SA3441001	D2 -43	18	SA4224001	C2 -64	10
S44485001	Z -88	64	SA3231001	C3 -13	12		D2 -48	18		D2 -58	18
S44633001	Z -12	62		C3 -31	12		D3 -22	20		D3 -28	20
	Sp	66		C4 -18	14	SA3481001	Q -7	48	SA4302001	D1 -9	16
S44924001	F -57	24		E -5	22	SA3499001	B -2	4	SA4333001	G -3	28
S46903001	J -19	32	SA3233001	E -7	22	SA3503201	F -8	24	SA4354001	J -56	32
S47307001	F -59	24	SA3238101	E -14	22	SA3504201	F -9	24	SA4510001	N -12	44
S48189000	F -29	24	SA3241001	E -19	22	SA3519101	T -1	54	SA4518001	J -59	34
S48664001	Sp	66	SA3242001	F -56	24	SA3528001	B -26	4	SA4519001	J -60	34
S49448001	Ga	68	SA3244001	F -1	24		J -69	34	SA4545001	J -43	32
S49484000	M1 -9	40	SA3246001	F -30	24	SA3540001	Z -7	62	SA4546001	J -35	32
S49957000	F -36	24	SA3250001	G -1	28		Z -106	64	SA4556001	M1 -5	40
S49982000	F -28	24	SA3254001	G -8	28	SA3581001	M1 -14	40	SA4563001	R -4	50
S49992000	F -19	24	SA3255001	G -10	28	SA3707001	C2 -53	8	SA4594001	A -1	2
S50529000	F -21	24	SA3256001	G -17	28		C2 -58	8	SA4596001	A -3	2
S51282101	Z -32	62	SA3257101	Sp	67	SA3720001	M1 -2	40	SA4597001	A -6	2
S51283001	Z -30	62	SA3258001	G -21	28	SA3722001	M1 -8	40	SA4598001	A -8	2
S53175000	F -24	24	SA3264001	A -17	2	SA3739301	M1 -6	40	SA4600001	A -10	2
S53982000	P -23	46	SA3274101	F -58	24	SA3744001	M1 -7	40	SA4601001	A -12	2
S55479001	C4 -13	14	SA3280001	F -31	24	SA3755201	M2 -1	42	SA4603101	A -14	2
	Z -129	64	SA3283101	E -40	22	SA3762001	M2 -5	42	SA4604001	A -25	2
S55482001	C3 -40	12	SA3284101	E -32	22	SA3765001	M2 -2	42	SA4605001	A -36	2
	C4 -23	14	SA3290001	H -2	30	SA3766001	M2 -3	42	SA4606001	B -1	4
S55484002	C2 -42	8	SA3291001	H -4	30	SA3767001	M2 -4	42	SA4608101	B -12	4
	C3 -50	12	SA3293001	H -11	30	SA3768001	M2 -6	42	SA4609101	B -16	4

CODE	REF.NO	Page	CODE	REF.NO	Page	CODE	REF.NO	Page	CODE	REF.NO	Page
SA4622001	B -28	4	SA4694001	C3 -18	12	SA4764001	D1 -11	16	SA4864001	C4 -22	14
SA4624001	B -42	4	SA4695001	C3 -20	12	SA4765001	D1 -13	16	SA4866101	C3 -49	12
SA4626001	B -37	4	SA4696001	C3 -15	12	SA4766001	D1 -16	16	SA4868101	C4 -37	14
SA4627001	B -38	4	SA4697001	C3 -17	12	SA4767001	D1 -17	16	SA4869101	C4 -38	14
SA4628001	B -39	4	SA4698001	C3 -21	12	SA4768001	D1 -18	16	SA4870101	C4 -45	14
SA4629001	B -40	4	SA4699001	C3 -33	12	SA4769101	D1 -19	16	SA4871101	C4 -46	14
SA4630001	B -45	4	SA4700001	C3 -22	12	SA4770001	D1 -21	16	SA5072001	F -25	24
SA4635101	C1 -4	6	SA4701001	C3 -24	12	SA4771001	D1 -27	16	SA5134001	V2 -12	60
SA4636101	C1 -7	6	SA4702001	C3 -25	12	SA4772001	D1 -22	16	SA5135001	J -4	32
SA4637001	C1 -2	6	SA4703001	C3 -26	12	SA4773001	D1 -23	16	SA5157001	J -57	34
SA4638001	C1 -18	6	SA4706101	C3 -43	12	SA4775001	D1 -38	16	SA5158001	B -47	4
SA4639001	C1 -14	6		C4 -26	14	SA4776001	D1 -43	16	SA5164001	U -1	56
SA4640001	C1 -12	6	SA4708001	C3 -44	12	SA4777001	D1 -26	16	SA5165001	U -2	56
SA4641001	C1 -9	6	SA4709001	C3 -48	12	SA4778001	D1 -47	16	SA5166001	U -3	56
SA4642001	C1 -22	6		C4 -31	14	SA4779001	D1 -32	16	SA5167001	U -7	56
SA4643001	C1 -25	6		C4 -36	14	SA4780001	D1 -35	16	SA5168001	U -6	56
SA4647001	C1 -27	6	SA4712001	C3 -41	12	SA4781001	D1 -33	16	SA5170001	U -4	56
	C2 -4	8		C4 -24	14	SA4782001	E -4	22	SA5172001	U -5	56
	C2 -7	8	SA4714001	C3 -42	12	SA4783101	E -10	22	SA5191001	P -15	46
	C2 -14	8		C4 -25	14	SA4785001	F -2	24	SA5192001	P -30	46
	D2 -27	18	SA4715001	C3 -54	12	SA4786101	F -7	24	SA5193001	V1 -1	58
	D3 -10	20		C4 -43	14	SA4787001	F -4	24	SA51930E1	V1 -1	58
SA4648001	C1 -28	6	SA4717001	C4 -2	14	SA4788001	F -11	24	SA5194001	V1 -7	58
SA4649001	C1 -11	6	SA4719001	C4 -5	14	SA4789101	F -32	24	SA5201001	V2 -1	60
SA4650001	C1 -30	6	SA4720001	C4 -7	14	SA4791101	F -37	24	SA52010E1	V2 -1	60
SA4651101	C1 -32	6	SA4721001	C4 -8	14	SA4795001	H -1	30	SA5202001	V2 -2	60
SA4652101	C1 -33	6	SA4722001	C4 -10	14	SA4796001	H -20	30	SA52020E1	V2 -2	60
SA4653001	C2 -2	8	SA4723001	C4 -11	14	SA4797101	H -38	30	SA5203001	V2 -5	60
SA4654001	C2 -5	8	SA4724001	C4 -12	14	SA4798001	J -3	32	SA5204001	V2 -8	60
SA4655101	C2 -9	8	SA4725001	C4 -27	14	SA4799001	J -14	32	SA5205001	V2 -10	60
	C2 -15	8	SA4726001	C4 -32	14	SA4801001	J -37	32	SA5206001	V2 -11	60
SA4658001	C2 -11	8	SA4729001	D2 -1	18	SA4802001	J -53	32	SA5208001	K -1	36
SA4659001	C2 -12	8	SA4731001	D2 -3	18	SA4806001	K -6	36	SA5210001	Q -11	48
SA4661001	C2 -13	8	SA4734001	D2 -4	18	SA4811001	Sp	67	SA5213001	K -24	36
SA4662001	C2 -17	8	SA4736001	D2 -6	18		Ga	68	SA5214001	Q -12	48
SA4663001	C2 -18	8	SA4737001	D2 -9	18	SA4816001	V1 -2	58	SA5217001	K -5	36
SA4664001	C2 -19	8	SA4738001	D2 -15	18	SA48160E1	V1 -2	58	SA5218001	K -8	36
SA4665001	C2 -20	8	SA4739001	D2 -17	18	SA4817001	V1 -3	58	SA5219001	K -17	36
SA4666001	B -30	4	SA4741101	D2 -18	18	SA4818001	V1 -4	58	SA5221001	Sp	66
SA4667101	C2 -24	8		D3 -1	20	SA4819001	V1 -6	58		Ga	68
SA4671001	C2 -25	8	SA4742001	D2 -19	18	SA4820201	C2 -50	8	SA5222001	Ga	68
SA4672001	C2 -26	8		D3 -2	20	SA4823101	C2 -55	8	SA5229101	C1 -1	6
SA4673001	C2 -32	8	SA4743001	D2 -24	18	SA4824001	Q -10	48	SA5230001	B -50	4
SA4675201	C2 -34	8		D3 -7	20	SA4826201	D2 -21	18	SA5251001	Z -109	64
SA4676001	C2 -38	8	SA4744001	D2 -26	18		D3 -4	20	SA5261001	Q -13	48
SA4677101	C2 -35	8		D3 -9	20	SA4828001	D2 -22	18	SA5281001	P -1	46
SA4679101	C2 -44	8	SA4745001	D2 -31	18		D3 -5	20	SA5282001	P -5	46
SA4680101	C2 -45	8		D3 -14	20	SA4830001	Q -5	48	SA5283001	P -4	46
SA4681001	C2 -46	8	SA4746001	D2 -34	18	SA4834001	R -1	50	SA5285001	P -9	46
SA4682001	C2 -47	8	SA4747001	D2 -38	18	SA4836001	R -7	50	SA5286001	P -12	46
SA4684001	C2 -51	8		D3 -17	20	SA4837001	R -5	50	SA5288001	P -24	46
	C2 -56	8	SA4748001	D2 -40	18	SA4841001	R -6	50	SA5289001	P -2	46
SA4686101	C3 -1	12		D3 -19	20	SA4842001	Z -1	62	SA5290001	P -22	46
	C4 -1	14	SA4750001	D2 -47	18	SA4844001	Z -4	62	SA5292101	F -23	24
SA4687101	C3 -2	12	SA4752001	D2 -53	18	SA4845001	Z -107	64	SA5294001	F -6	24
SA4688001	C3 -4	12	SA4753001	D2 -55	18	SA4846001	Z -108	64	SA5300001	D1 -51	16
SA4689001	C3 -5	12		D3 -26	20	SA4847001	Z -112	64	SA5301001	D1 -53	16
SA4690001	C3 -7	12	SA4757101	D3 -33	20	SA4852001	C4 -47	14	SA5339101	F -54	24
SA4691001	C3 -8	12	SA4759001	D1 -1	16	SA4853001	D1 -39	16	SA6038001	T -2	54
SA4692001	C3 -9	12	SA4760001	D1 -2	16	SA4855001	L -1	38	SA6087001	F -17	24
	C3 -27	12	SA4761001	D1 -7	16	SA4863001	C3 -37	12	SA6108001	B -35	4
	C4 -14	14	SA4762001	D1 -8	16		C4 -20	14	SA6182001	B -19	4
SA4693001	C3 -16	12	SA4763001	D1 -3	16	SA4864001	C3 -39	12	SA6194001	A -39	2

## 索引 / INDEX

CODE	REF.NO	Page	CODE	REF.NO	Page	CODE	REF.NO	Page	CODE	REF.NO	Page
SA6207001	A - 18	2									
SA6210001	D2 - 42	18									
	D3 - 21	20									
SA6211001	F - 43	24									
SA6216001	E - 12	22									
SA6220001	E - 16	22									
SA6260001	F - 51	24									
SA6261001	Z - 128	64									
SA6263001	F - 50	24									
SA6272001	A - 15	2									
SA6273001	J - 70	34									
SA6306001	C2 - 61	8									
SA6359001	C2 - 29	8									
SA6360001	C2 - 30	8									
SA6361001	C2 - 31	8									
SA6364001	M1 - 1	40									
SA6389001	L - 9	38									
SA6391001	G - 5	28									
SA6397001	J - 62	34									
SA6398001	J - 62	34									
SA6405001	P - 17	46									
SA6405002	P - 28	46									
SA6406001	P - 18	46									
SA6406002	P - 29	46									
SA6407001	P - 19	46									
SA6434001	C2 - 40	8									
SA6435001	C2 - 41	8									
SA6441001	A - 41	2									
SA6450101	C2 - 65	10									
SA6451101	C2 - 67	10									
SA6495001	V2 - 16	60									
SA64950E1	V2 - 16	60									
SA6560101	Q - 20	48									
SA6572001	F - 62	26									
SA6573001	P - 10	46									
SA6576001	F - 16	24									
SA6577001	F - 60	26									
SA6578001	F - 26	24									
SA6579001	F - 53	24									
SA6580001	F - 14	24									
SA6581001	F - 63	26									
SA6582001	F - 67	26									
SA6583001	F - 64	26									
SA6584001	F - 68	26									
SA6593001	F - 13	24									
SA6628001	V2 - 3	60									

brother®



零件手册  
PARTS BOOK

兄弟工业株式会社 <http://www.brother.com/>

**BROTHER INDUSTRIES, LTD .**