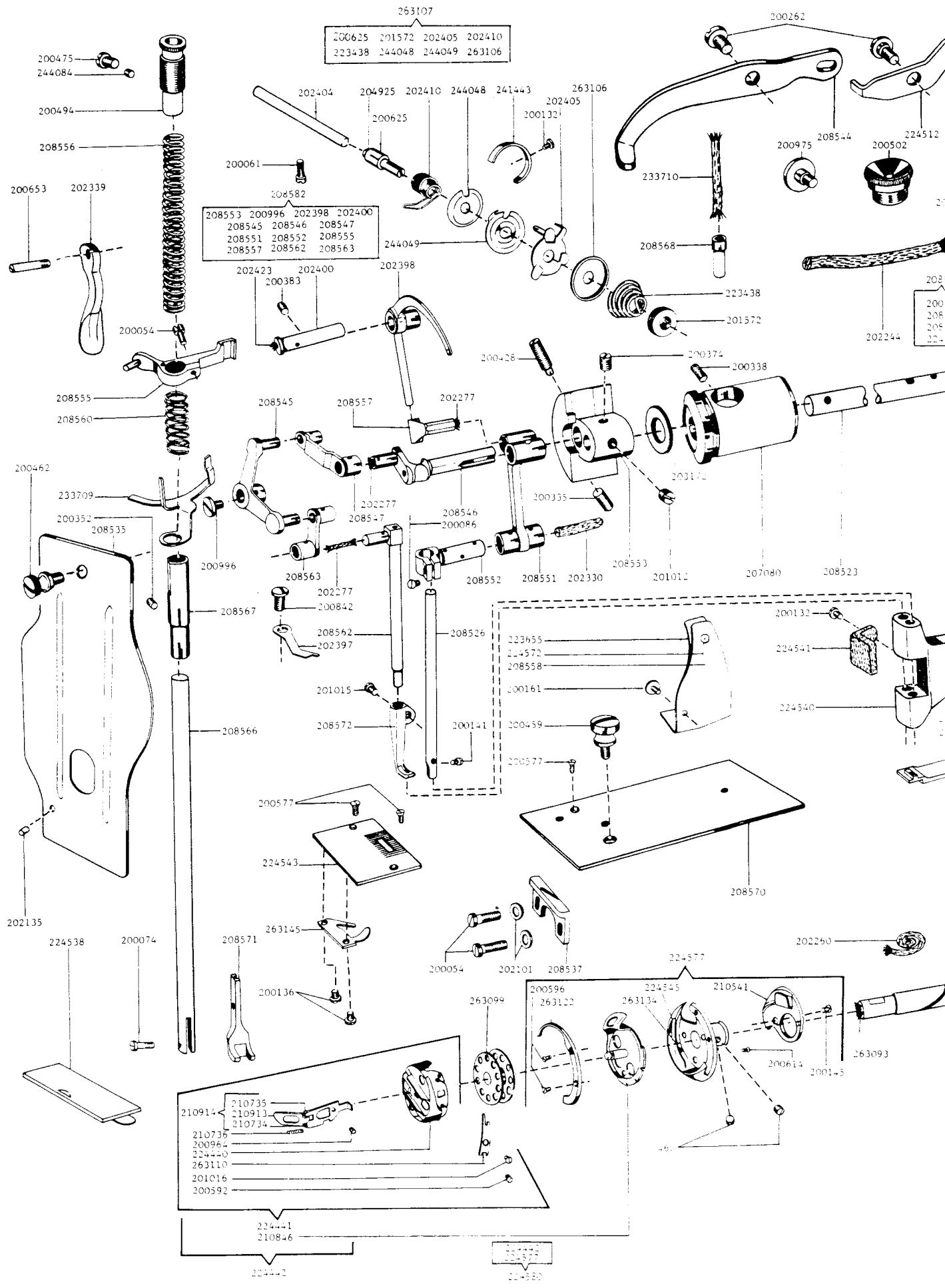
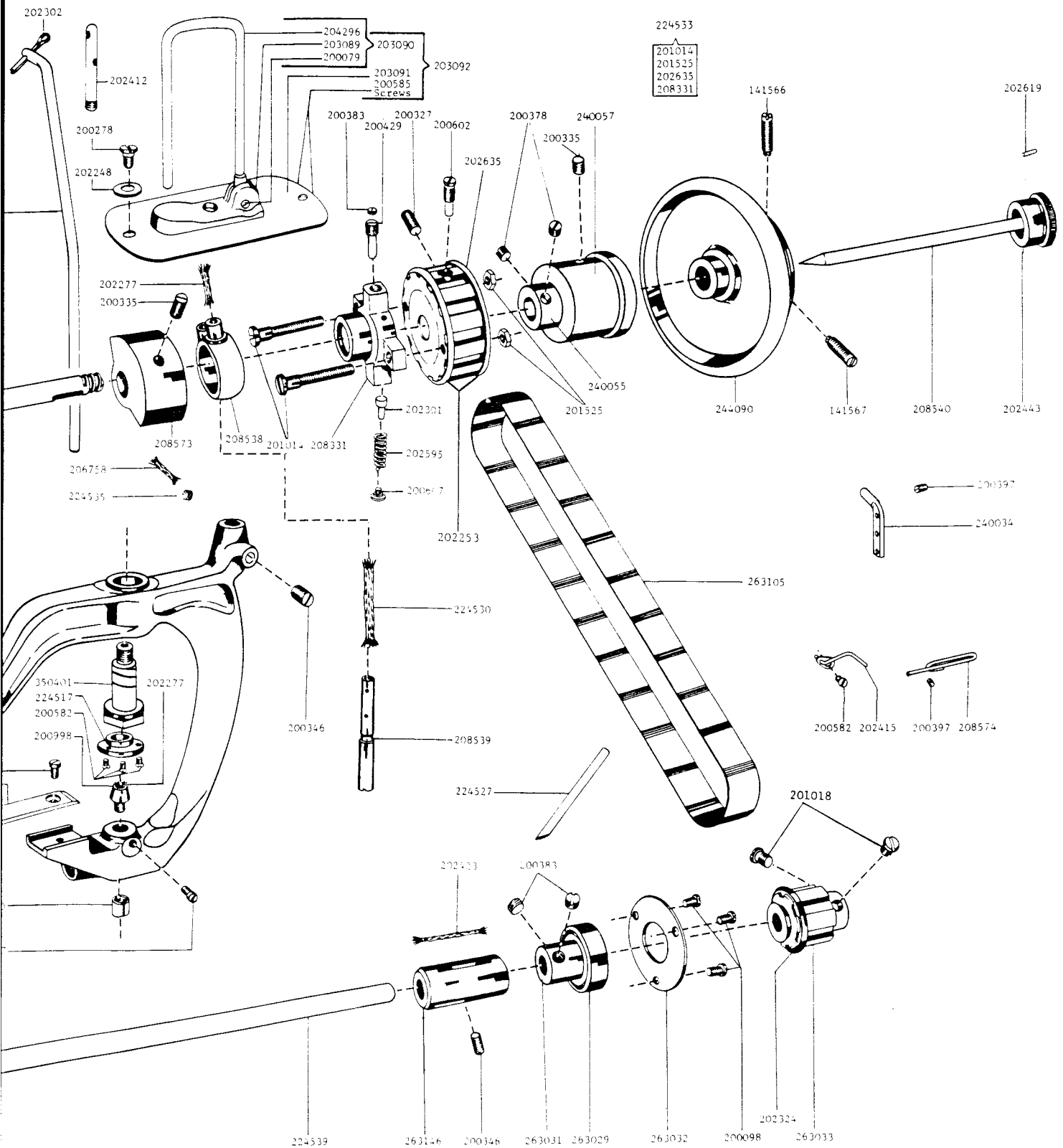


SINGER
151K1

TK Machine





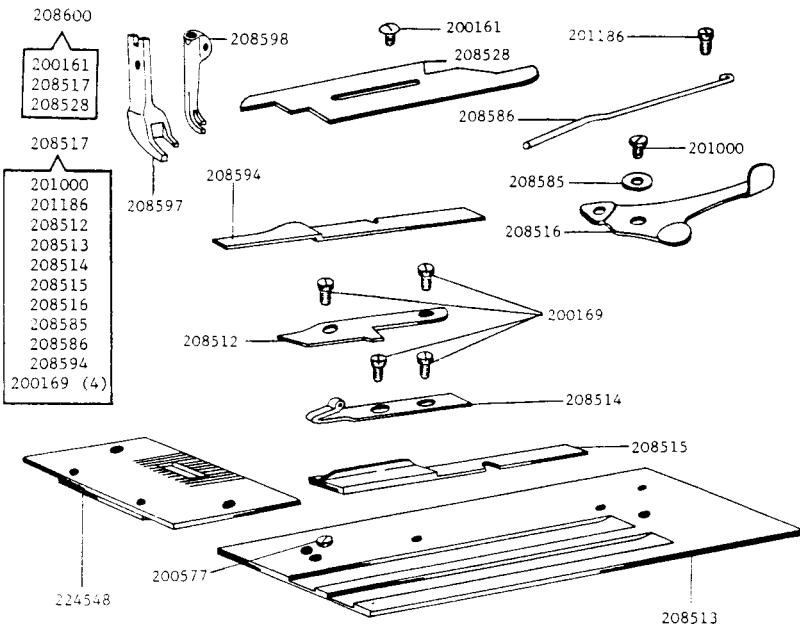
SINGER 151K1 MACHINE

FORM K6803
(967)

*A TRADEMARK OF THE SINGER COMPANY
COPYRIGHT © 1967 BY THE SINGER COMPANY
ALL RIGHTS RESERVED THROUGHOUT THE WORLD

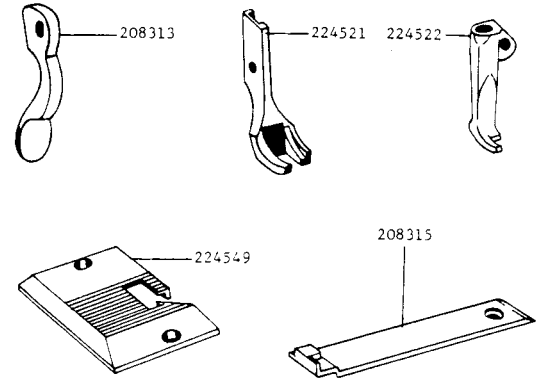
PRINTED IN GREAT BRITAIN

151K2 PARTS WHICH DIFFER FROM 151K1

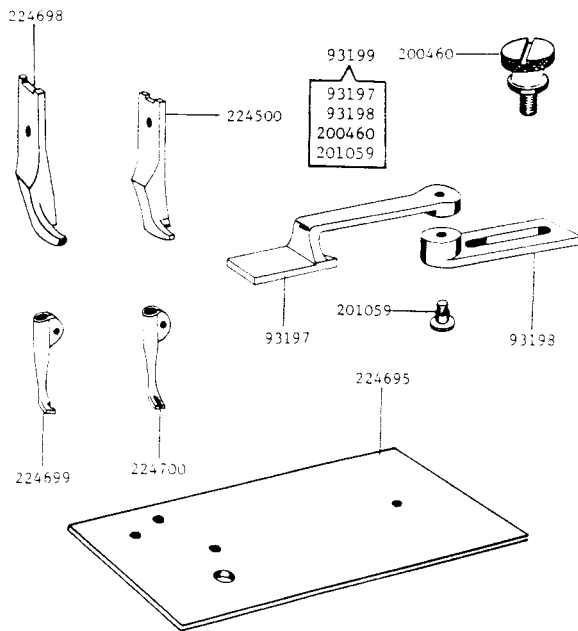


151K3 PARTS WHICH DIFFER FROM 151K1

BED PLATE (BACK) 208570 IS SENT WITH THIS MACHINE AS STANDARD UNLESS A BINDER IS SPECIFIED ON ORDER.

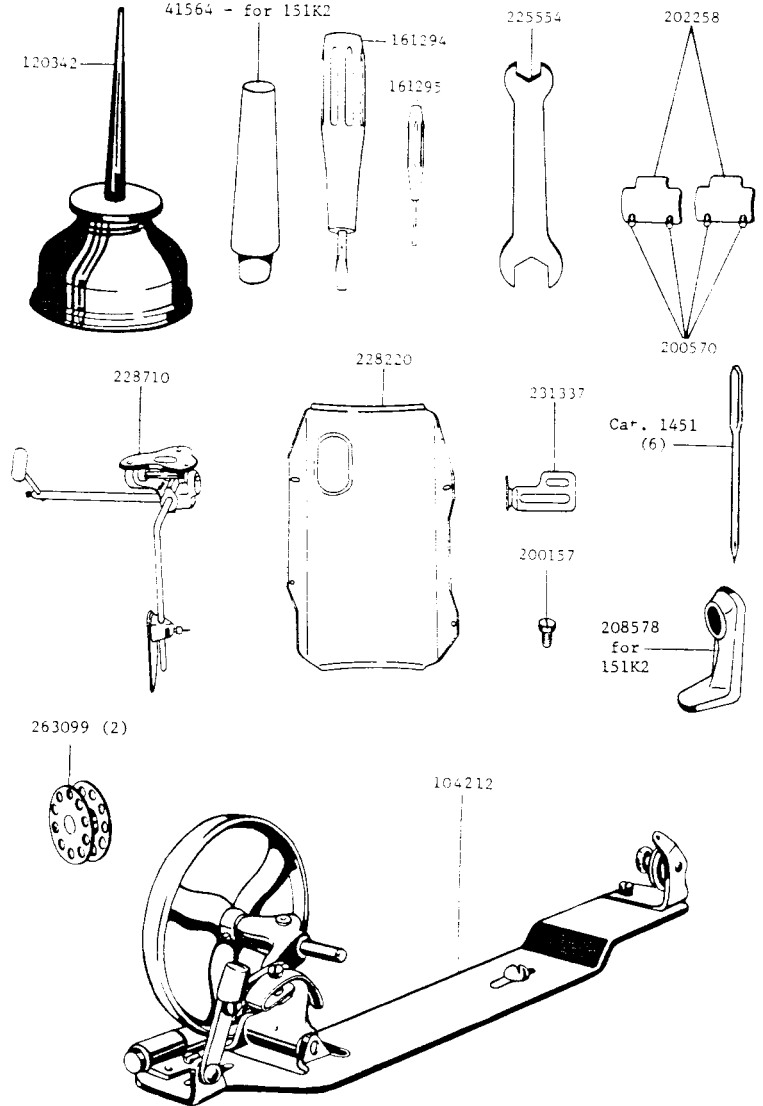


151K6 PARTS WHICH DIFFER FROM 151K1

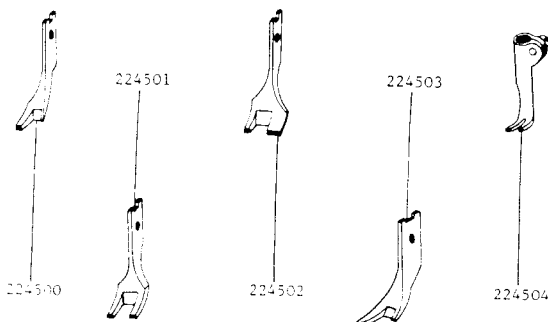


ACCESSORIES

41400 - for 151K1, 151K3 and 151K6
41564 - for 151K2



OPTIONAL PRESSER FEET



NOTE: THREAD UNWINDER NO. 225258 CAN BE SUPPLIED IN PLACE OF SPOOL HOLDER NO. 203090 AT EXTRA CHARGE.

LIST OF PARTS FOR 151K1 MACHINE

Part No.	Description	Part No.	Description
462(833)	Hook Set Screw	201572(819)	Tension Thumb Nut
141566(803)	Machine Pulley Position Screw	202101	Needle Plate Slide Plate Screw Washer
141567(803)	Machine Pulley Set Screw	202135	Face Plate Position Pin
200054(803)	Needle Plate Slide Plate Screw	202244	Arm Shaft Bushing (front) Oil Packing (wick)
200054(805)	Presser Bar Lifting Bracket Pinch Screw	202248	Arm Cap Screw Washer
200061(833)	Tension Stud Set Screw	202253	Arm Shaft Connection Belt Pulley Spring Flange
200074(806)	Lifting Presser Foot Screw	202260	Hook Shaft Oil Packing (wick)
200079(819)	Arm Cap Spool Holder Wire Hinge Screw	202277	Feed Driving Connection Oil Packing (wick)
200086(833)	Needle Bar Connecting Stud Pinch Screw	202277	Lifting Bell Crank Driving Crank Oil Packing (wick)
200098(805)	Hook Shaft Ball Bearing Retainer Screw	202277	Needle Bar and Needle Plate Carrier Frame Hinge Screw Stud Oil Packing (wick)
200132(805)	Needle Bar Oil Pad Screw	202277	Take-up Lever Driving Stud Oil Packing (wick)
200132(805)	Thread Controller Spring Stop Screw	202277	Vibrating Presser Bar Oil Packing (wick)
200136(805)	Bobbin Case Stop Screw	202301	Feed Driving Eccentric Regulating Bracket Plunger
200141(806)	Needle Set Screw	202302	Knee Lifter Connection Lever Lifting Rod Cotter Pin
200145(803)	Hook Washer Needle Guard Screw	202324	Hook Shaft Connection Belt Pulley Spring Flange
200161(819)	Take-up Lever Oil Guard Screw	202330	Needle Bar Connecting Stud Oil Packing (wick)
200262(819)	Knee Lifter Connection Lever Hinge Screw	202339	Presser Bar Lifter
200262(819)	Knee Lifter Lifting Lever Hinge Screw	202397	Take-up (auxiliary)
200278(819)	Arm Cap Screw	202398	Take-up Lever
200327(803)	Arm Shaft Connection Belt Pulley Set Screw	202400	Take-up Lever Hinge Stud with 202423
200335(803)	Arm Shaft Bushing (back) Set Screw	202404	Tension Release Plunger
200335(803)	Arm Shaft Counter Balance Set Screw	202405	Tension Release Washer
200335(803)	Needle Bar Crank Set Screw	202410	Thread Controller Spring
200338(803)	Arm Shaft Bushing (front) Set Screw	202412	Thread Guide
200346(803)	Feed Driving Connection Stud Set Screw	202415	Thread Guide
200346(803)	Hook Shaft Bushing (front) Set Screw	202423	Hook Shaft Bushing (front) Oil Packing (wick)
200352(833)	Presser Bar Bushing Set Screw	202423	Take-up Lever Hinge Stud Oil Packing (wick)
200374(833)	Lifting Bell Crank Driving Crank Set Screw	202443	Feed Regulating Spindle Head Pin
200378(803)	Arm Shaft Ball Bearing Collar Set Screw	202595	Feed Driving Eccentric Regulating Bracket Plunger Spring
200383(803)	Feed Driving Eccentric Regulating Screw Check Screw	202619	Feed Regulating Spindle Head Position Pin
200383(803)	Hook Shaft Ball Bearing Collar Set Screw	202635	Arm Shaft Connection Belt Pulley with 200327(803), 200602(803) and two 202253
200383(803)	Take-up Lever Hinge Stud Set Screw	203089	Arm Cap Spool Holder Base
200397(819)	Thread Guide Set Screw	203090	Arm Cap Spool Holder Base 203089 with 200079(819) and 204296
200397(819)	Thread Retainer Set Screw	203091	Arm Cap
200428(803)	Needle Bar Crank Position Screw	203092	Arm Cap and Spool Holder complete, Nos. 203090, 203091 and two 200585(819)
200429(806)	Feed Driving Eccentric Regulating Screw	203172	Needle Bar Crank Friction Washer
200459(804)	Cloth Guide Thumb Screw	204296	Arm Cap Spool Holder Wire
200462(819)	Face Plate Thumb Screw	204925	Tension Stud Washer
200475(819)	Presser Bar Thumb Screw Thumb Set Screw	206758	Needle Bar and Needle Plate Carrier Frame Oil Wick
200494(819)	Presser Bar Thumb Screw (pressure regulating)	207080	Arm Shaft Bushing (front) with 202244
200502(819)	Arm Shaft Bushing (front) Oil Packing Thumb Screw	208331	Feed Driving Eccentric Regulating Bracket
200577(833)	Bed Plate (back) Screw	208523	Arm Shaft
200577(833)	Throat Plate Screw	208526	Needle Bar with 200141(806)
200582(819)	Needle Bar and Needle Plate Carrier Frame Hinge Bearing Screw	208535	Face Plate
200582(819)	Thread Guide Screw	208536	Needle Plate, 53 needle hole, for needle sizes 12 and 13
200585(819)	Arm Cap Spool Holder Base Screw	208537	Needle Plate Slide Plate (adjustable)
200592(803)	Bobbin Case Tension Screw	208538	Feed Driving Connection (bronze) with 202277
200596(806)	Hook Gib Screw	208539	Feed Driving Connection Stud (eccentric) with 224530
200602(803)	Arm Shaft Connection Belt Pulley Position Screw	208540	Feed Regulating Spindle complete
200607(803)	Feed Driving Eccentric Regulating Bracket Plunger Spring Stop Screw	208543	Knee Lifter Connection Lever 224512 with 208544, 208592 and two 200262(819)
200614(803)	Hook Gib Hinge Screw	208544	Knee Lifter Lifting Lever
200625(806)	Tension Stud with 204925	208545	Lifting Bell Crank
200653(803)	Presser Bar Lifter Hinge Screw	208546	Lifting Bell Crank Driving Crank
200842(805)	Take-up (auxiliary) Screw	208547	Lifting Bell Crank Driving Crank Link
200964(803)	Bobbin Case Latch Stop Screw	208550	Needle Bar and Needle Plate Carrier Frame Hinge Screw Stud Bushing (split)
200975(806)	Presser Bar Lifting Bracket Guide Screw	208551	Needle Bar Connecting Link
200996(803)	Lifting Bell Crank Stop Screw	208552	Needle Bar Connecting Stud with 200086(833) and 202330
200997(803)	Needle Bar and Needle Plate Carrier Frame Hinge Screw Stud Bushing Position Screw	208553	Needle Bar Crank with 200335(803), 200374(833), 200428(803) and 201012(803)
200998(803)	Needle Bar and Needle Plate Carrier Frame Hinge Screw Stud	208555	Presser Bar Lifting Bracket with 200054(805)
201012(803)	Lifting Bell Crank Driving Crank Position Screw	208556	Presser Bar Spring
201014(803)	Feed Driving Eccentric Regulating Bracket Hinge Screw	208557	Take-up Lever Driving Stud with 202277
201014(803)	Feed Driving Eccentric Regulating Bracket Stop Screw	208558	Take-up Lever Oil Guard with 200653 and 204572
201015(819)	Vibrating Presser Foot Pinch Screw	208560	Tension Release Slide Spring
201016(803)	Bobbin Case Tension Spring Regulating Screw		
201018(803)	Hook Shaft Connection Belt Pulley Set Screw		
201387(806)	Needle Plate Screw		
201525(805)	Feed Driving Eccentric Regulating Bracket Hinge Screw Nut		
201525(805)	Feed Driving Eccentric Regulating Bracket Stop Screw Nut		

<u>Part No.</u>	<u>Description</u>
<u>LIST OF CORSET BINDERS FOR 151K3 MACHINE.</u>	
NOTE:- When ordering, state size required. Send a sample of binding and material to be bound.	
208304	Binder complete, .040" opening, for tapes or folded strips from $\frac{1}{4}$ " to $\frac{1}{2}$ " in steps of 1/32"
208306	Binder complete, .35" opening, for tapes or folded strips from $\frac{1}{4}$ " to $\frac{1}{2}$ ", in steps of 1/32"
208310	Binder complete, .45" opening, for tapes or folded strips from $\frac{1}{4}$ " to $\frac{1}{2}$ ", in steps of 1/32"
208312	Binder complete, .025" opening, for tapes or folded strips from $\frac{1}{4}$ " to $\frac{1}{2}$ ", in steps of 1/32"
208320	Binder complete, .030" opening, for tapes or folded strips from $\frac{1}{4}$ " to $\frac{1}{2}$ ", in steps of 1/32"

SUPPLEMENTARY PARTS LIST FOR MACHINE 151K6.

(Same as complete list for Machine 151K1, with the following exceptions).

PARTS ADDED

93197	Guide
93198	Guide Bracket
93199	Guide complete, for Collar and Cuff work, Nos. 200460(819), 201059(803), 93197 and 93198
200460(819)	Guide Bracket Thumb Screw
201059(803)	Guide Hinge Screw
224590	Lifting Presser Foot (packed with accessories)
224695	Guide Base Plate
224698	Lifting Presser Foot
224699	Vibrating Presser Foot with 201015(819)
224700	Vibrating Presser Foot with 201015(819) (packed with accessories)
200577(833)	Guide Base Plate Screw

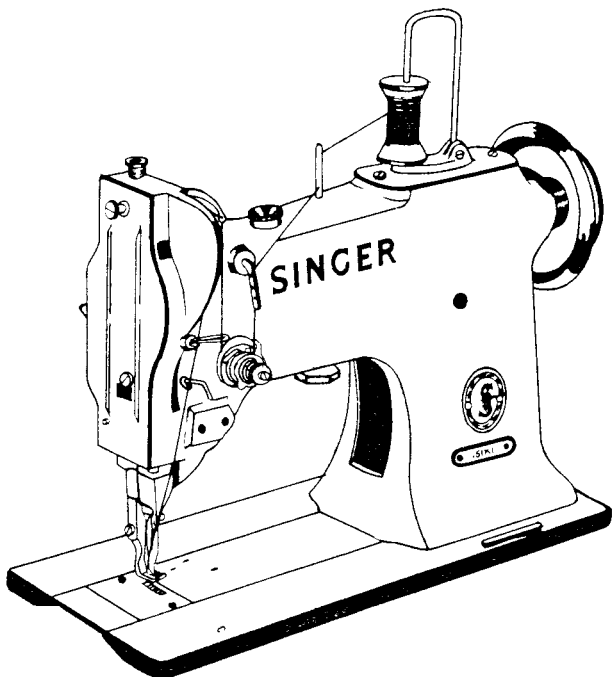
<u>Part No.</u>	<u>Description</u>
<u>PARTS REMOVED</u>	
220577(830)	Bed Plate (back) Screw
208570	Bed Plate (back)
208571	Lifting Presser Foot
208572	Vibrating Presser Foot with 201015(819)

OPTIONAL PRESSER FEET

224500	Lifting Presser Foot for 208572
224501	Lifting Presser Foot for 208572
224502	Lifting Presser Foot for 208572
224503	Lifting Presser Foot for 224504
224504	Vibrating Presser Foot with 201015(819), for 224503

ACCESSORIES

41400	Machine Rest Pin (wood) for 151K1, 151K3 and 151K6 Machines
41564	Machine Rest Pin (wood) for 151K2 Machine
104212	Universal Bobbin Winder complete
120342	Oiler
161294	Screw Driver
161295	Screw Driver (bobbin case)
200157(819)	Attachment Screw
200570(805)	Bed Hinge Connection Screw
202258	Bed Hinge Connection
208578	Drip Pan Button for 151K2 Machine
-	Drip Pan Button Wood Screw, 1" No. 13 for 151K2 Machine
225554	Wrench (steel)
228220	Drip Pan with four 3/4" wire nails
228710	Knee Lifter Rock Lever complete
231337	Cloth Guide
263099	Bobbin
Cat. 1451	Needles (6)



PARTS CHART
for
SINGER
CLASS
151K
MACHINES