

SINGER
138W103

Form 3045w
(951)
Printed in U.S.A.

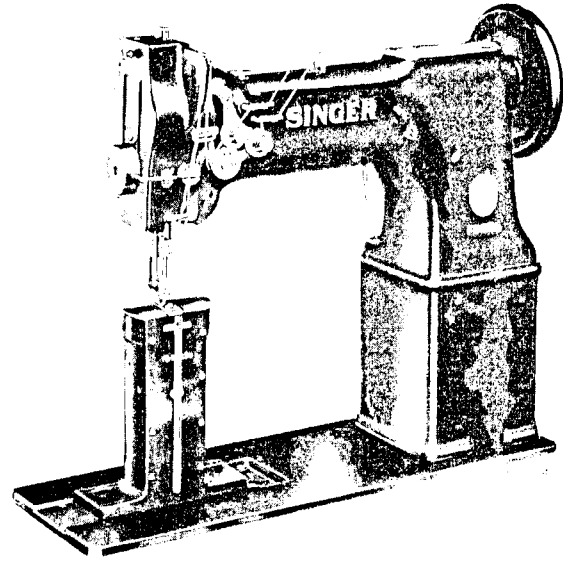
© 1995 SINGER MANUFACTURING COMPANY
ALL RIGHTS RESERVED

SINGER**

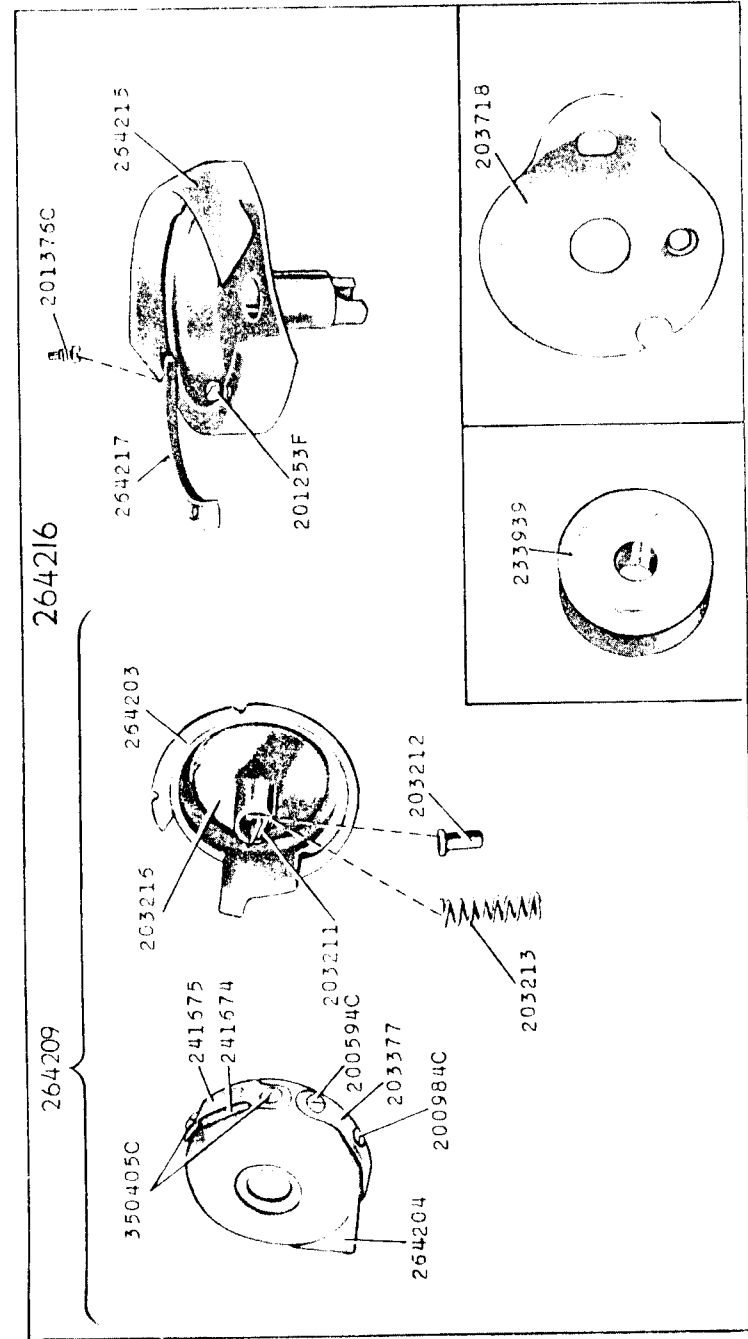
138w103



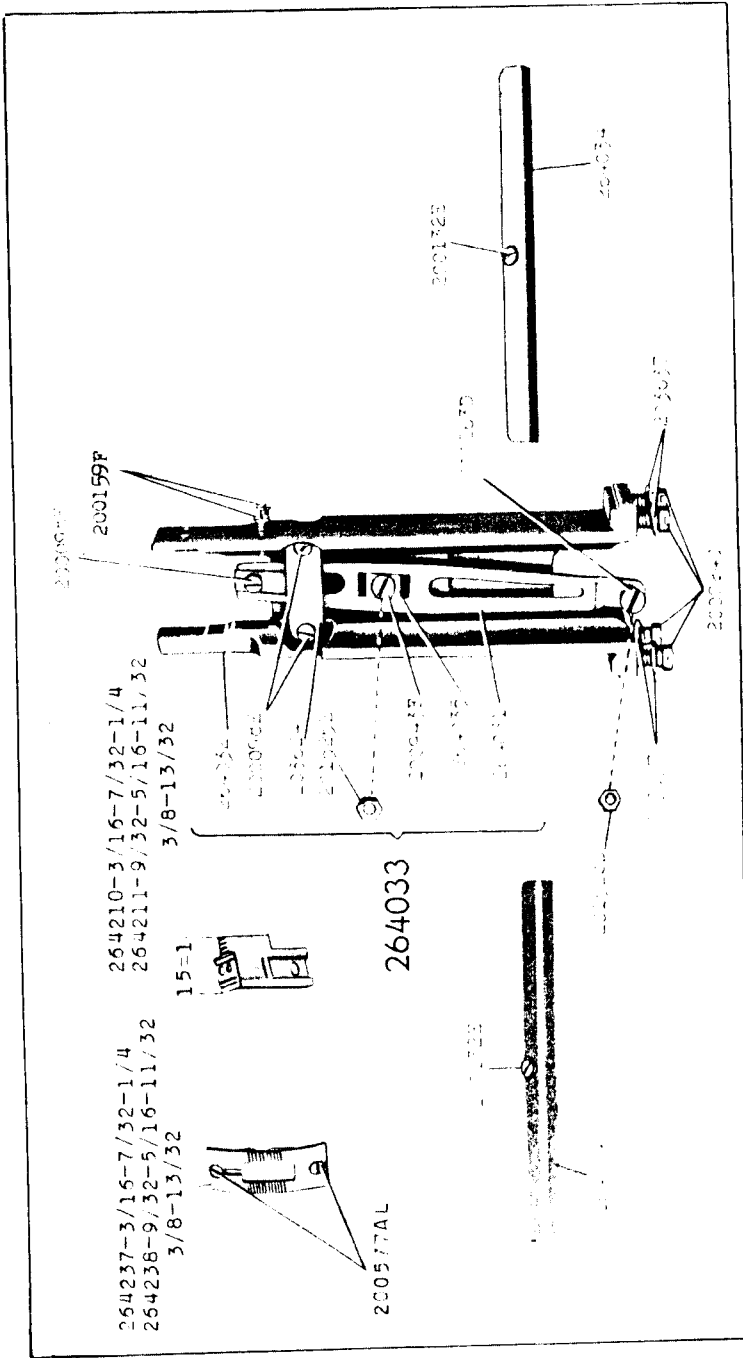
** A TRADE MARK OF
THE SINGER MANUFACTURING COMPANY



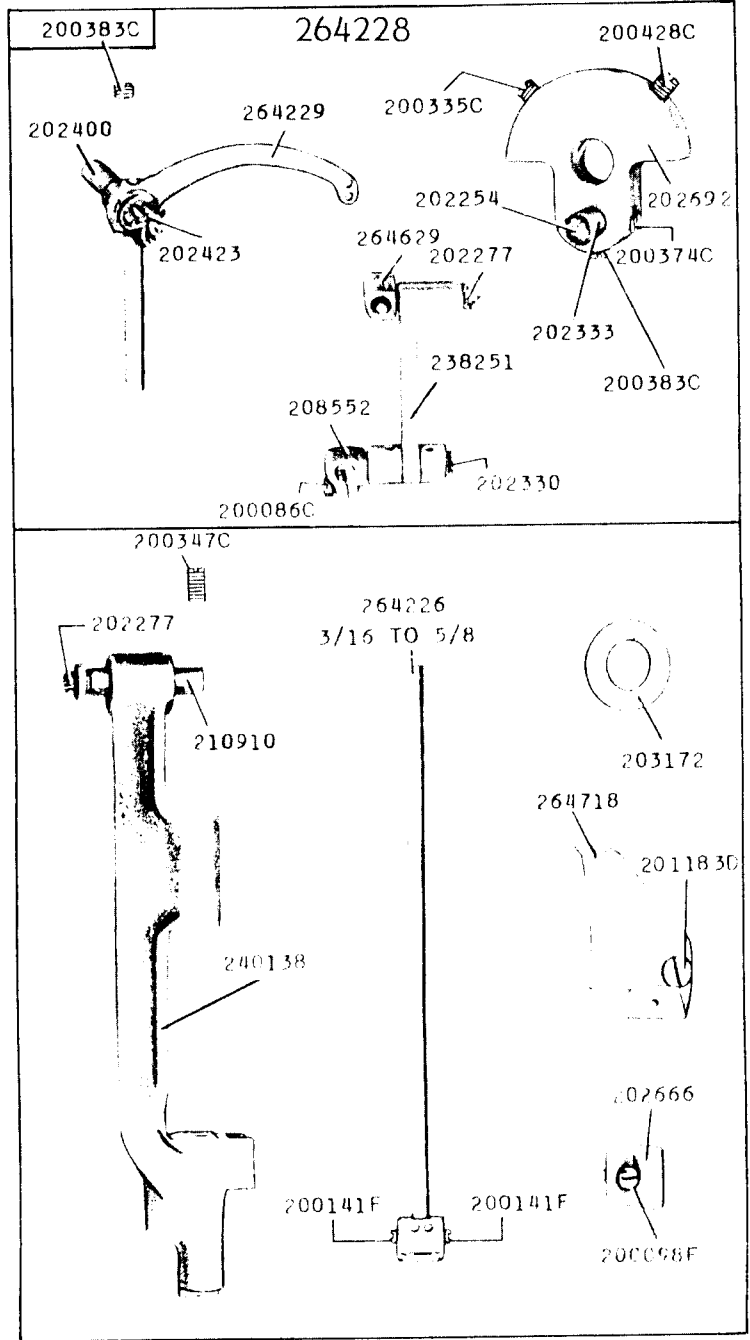
Copyright, U. S. A., 1939, 1940, 1941, 1951 and 1952
 by The Singer Manufacturing Company
 All Rights Reserved for All Countries



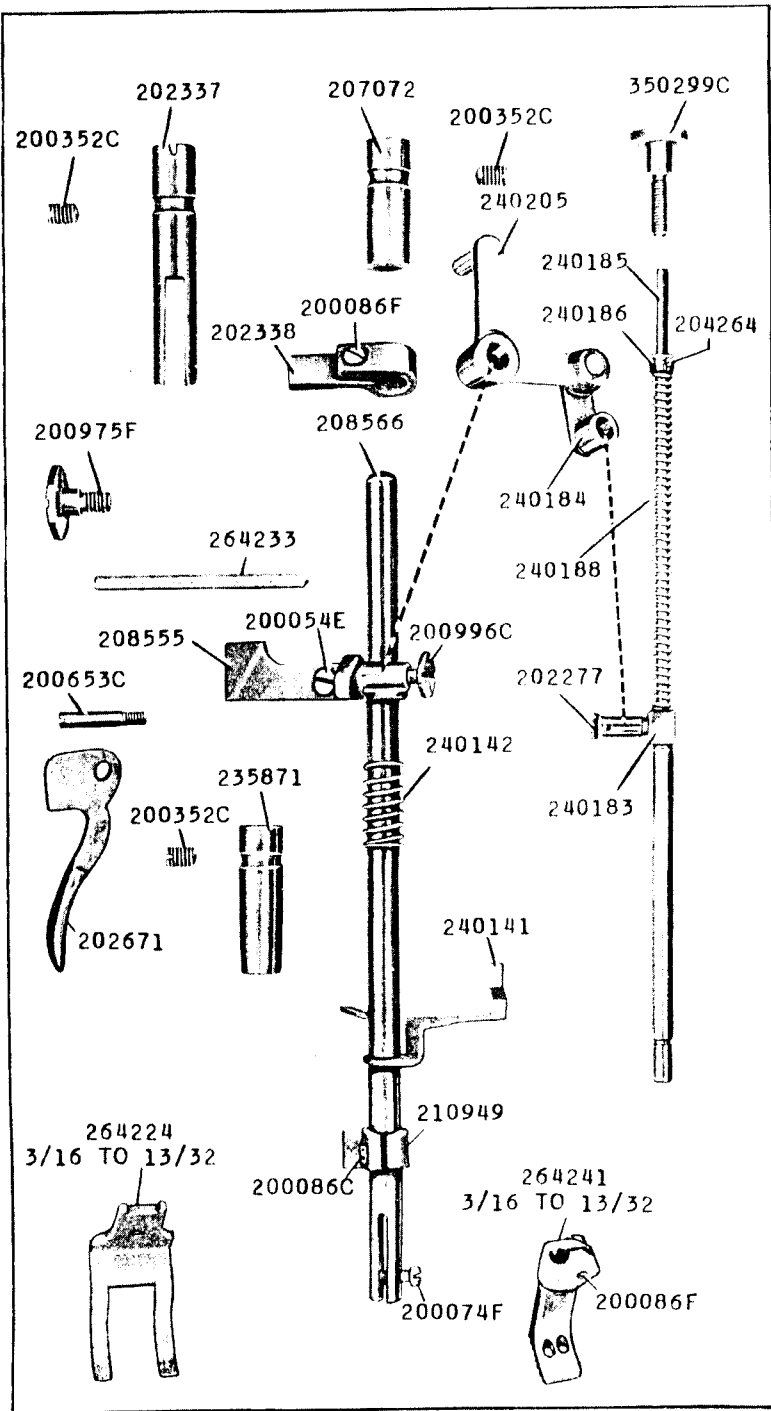
15793-3/8



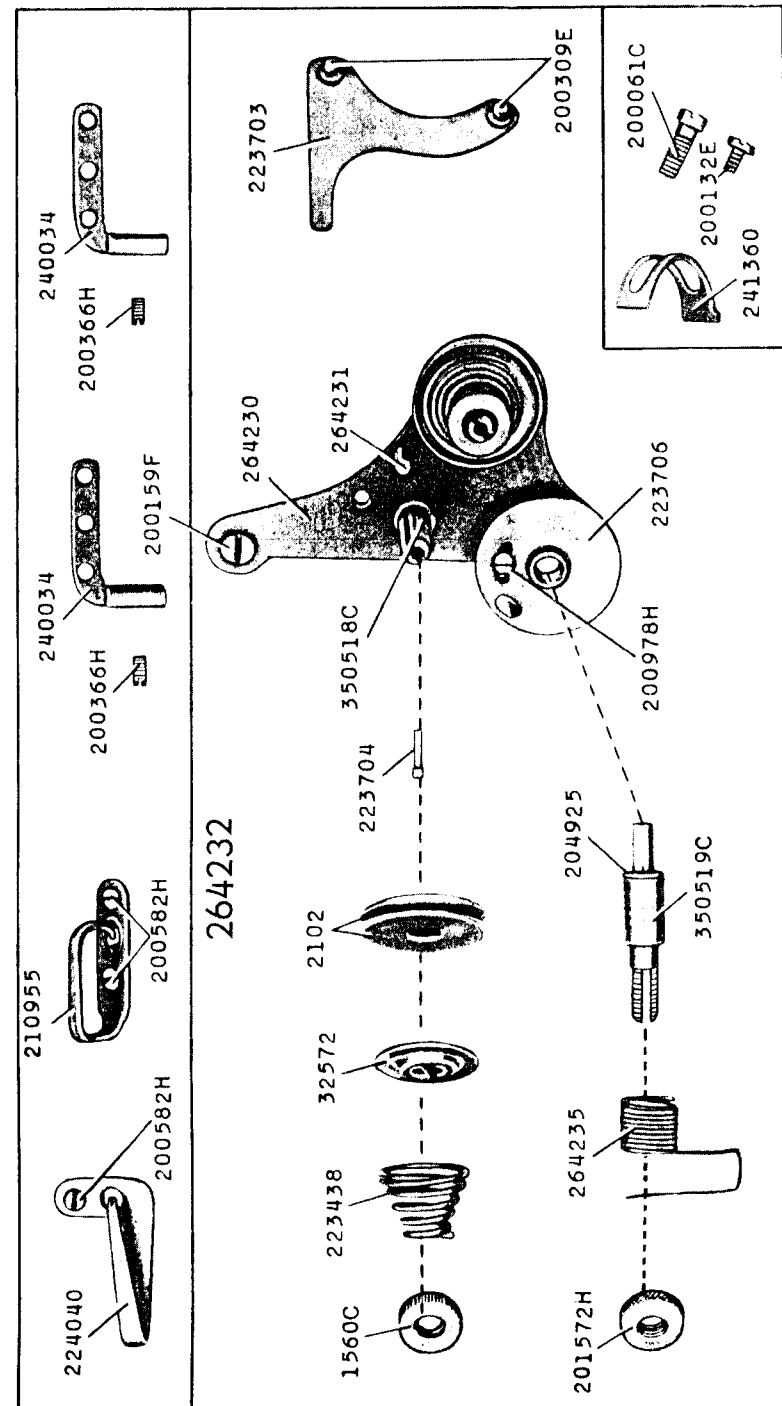
15794-1/2



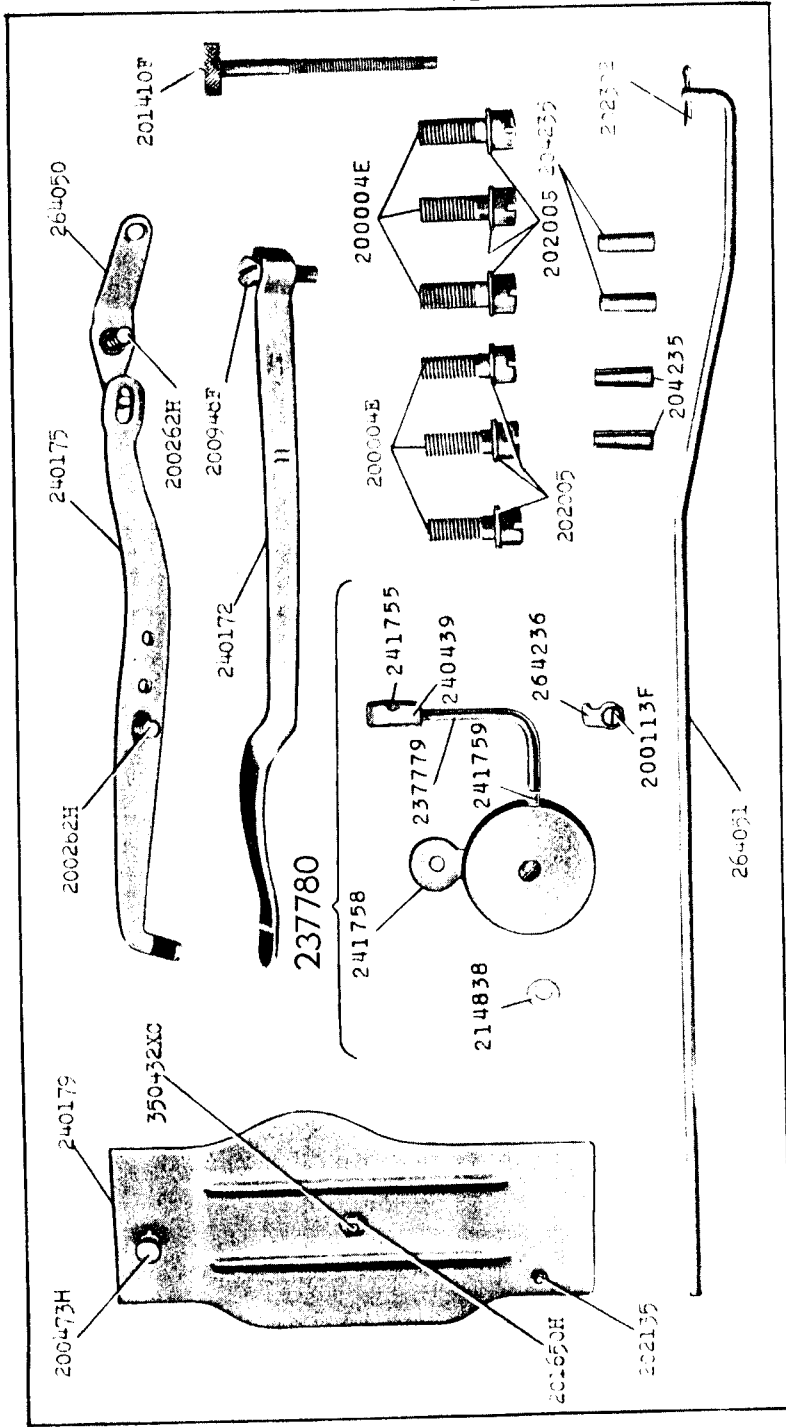
15795-1/2



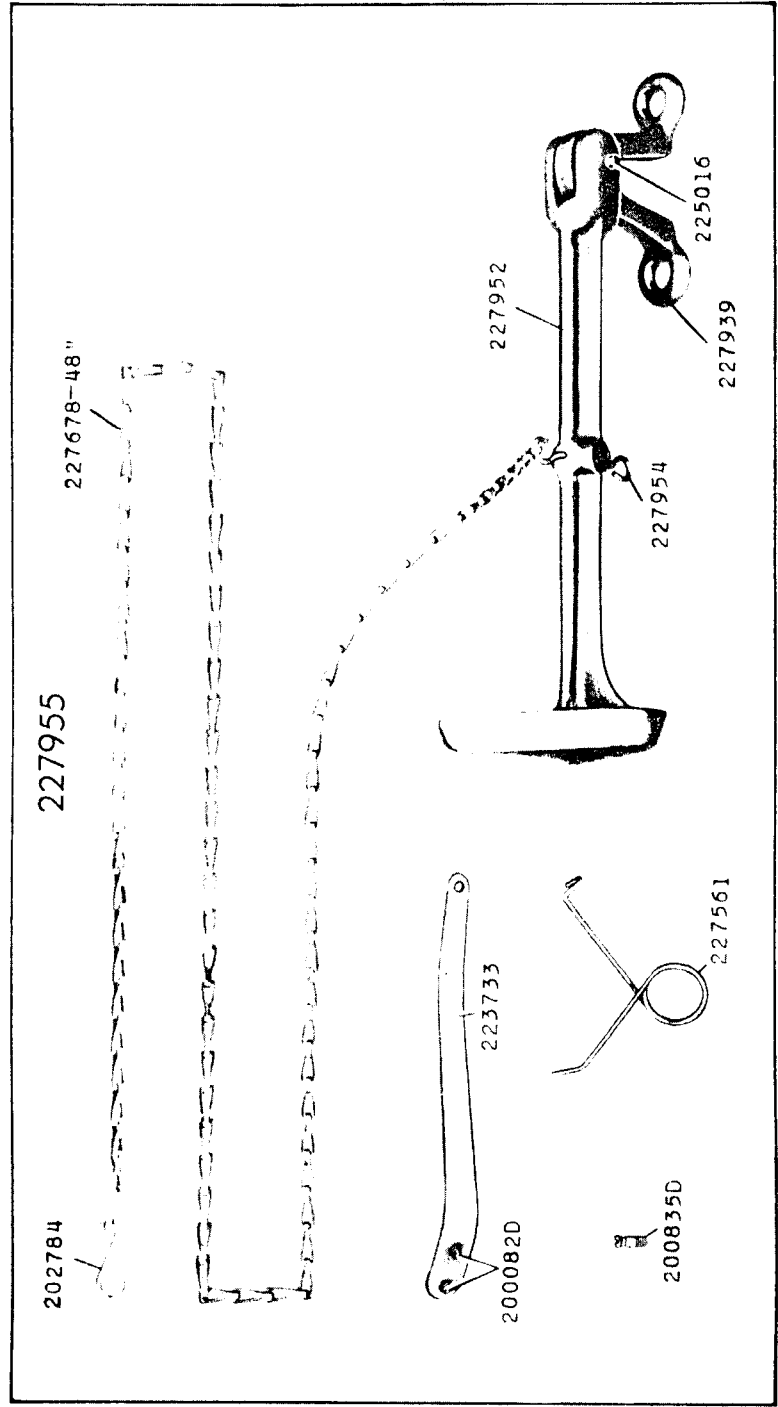
15796-2/3



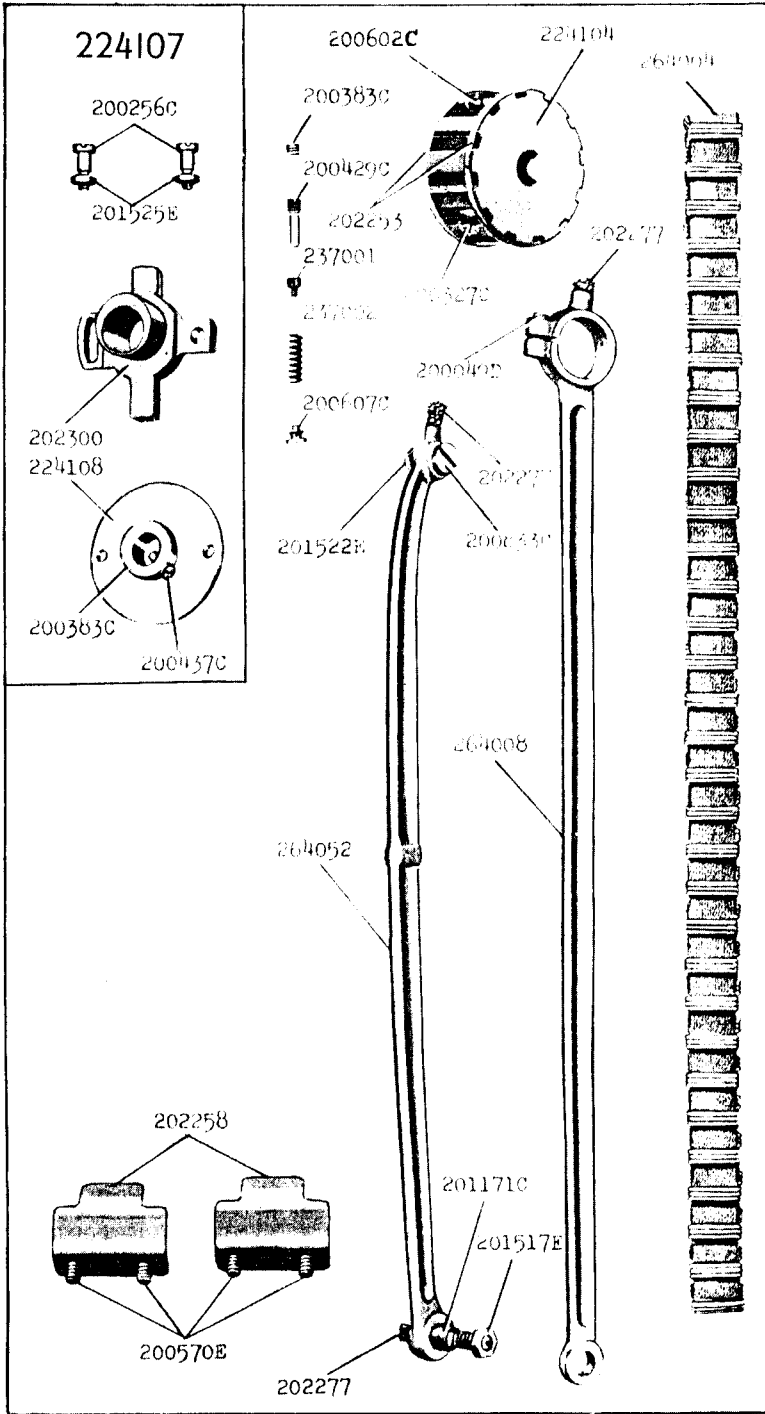
15797-3/8



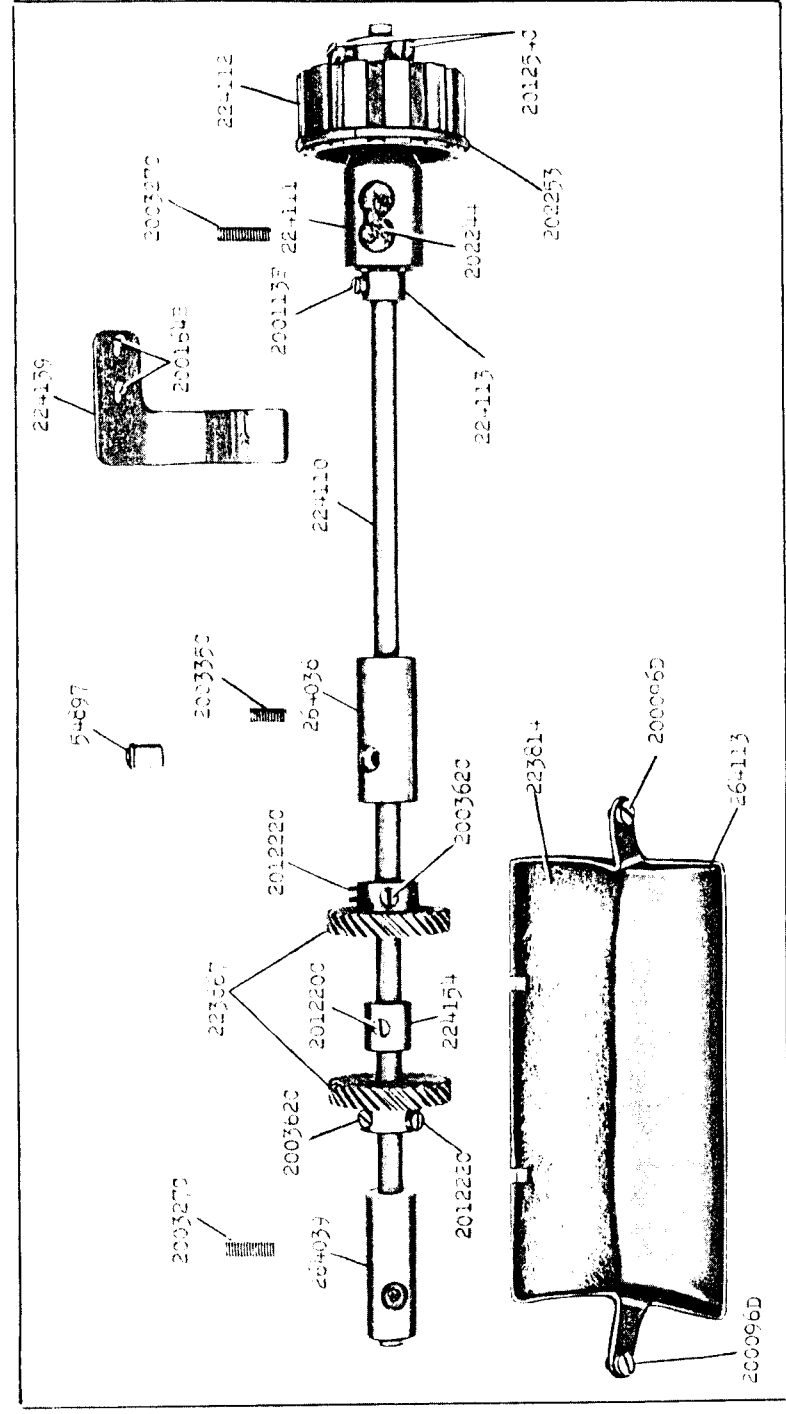
15798-1/3



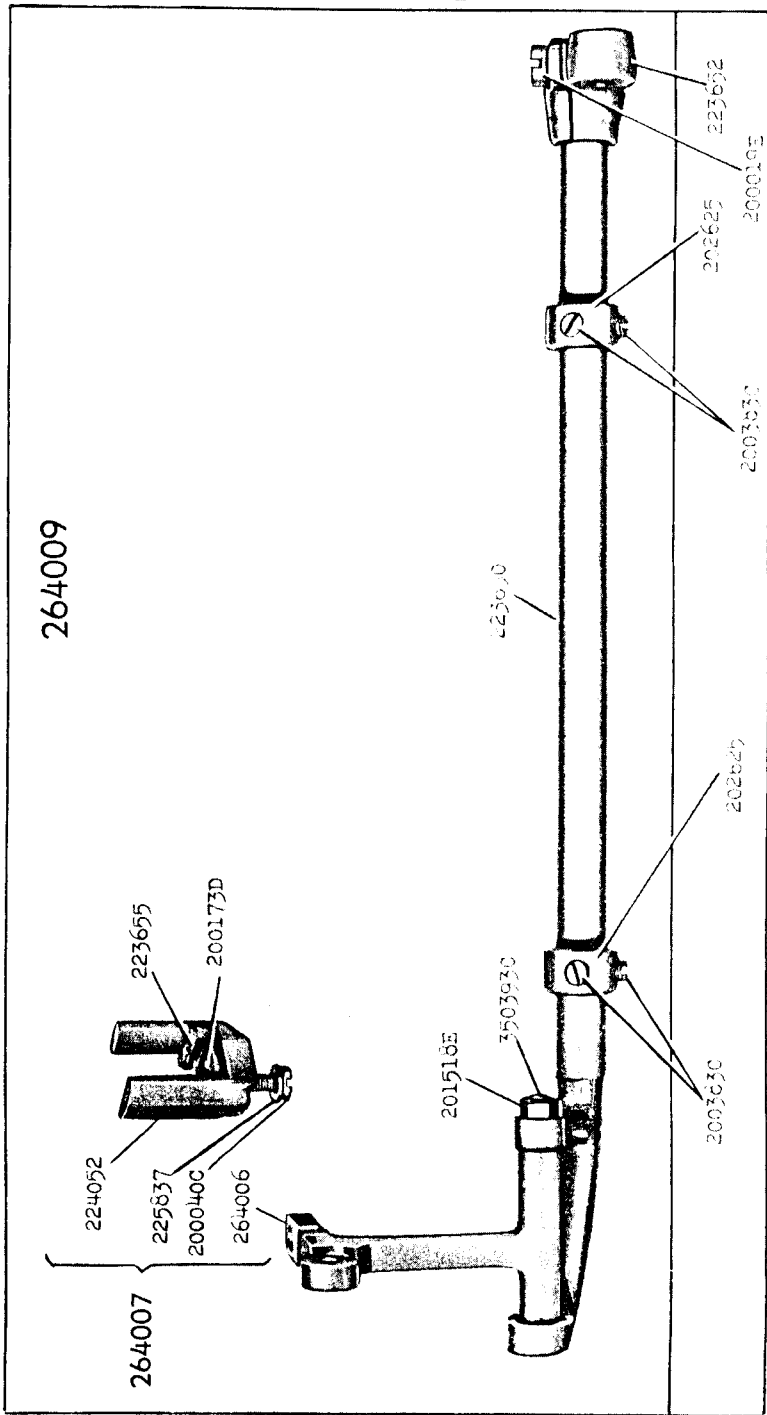
16052 - 1/3



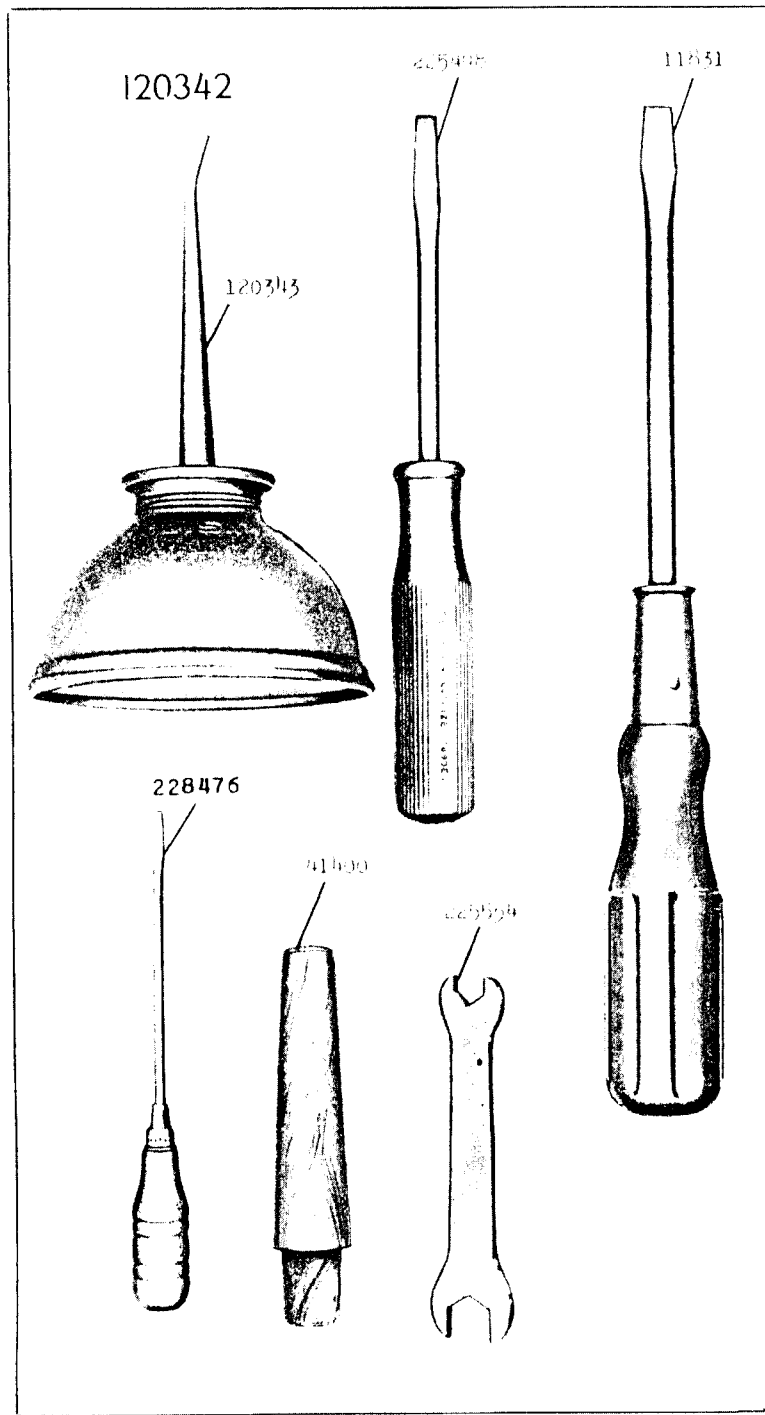
16053 - 3/8



16054 - 1/2

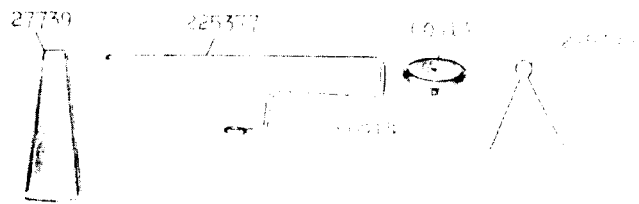
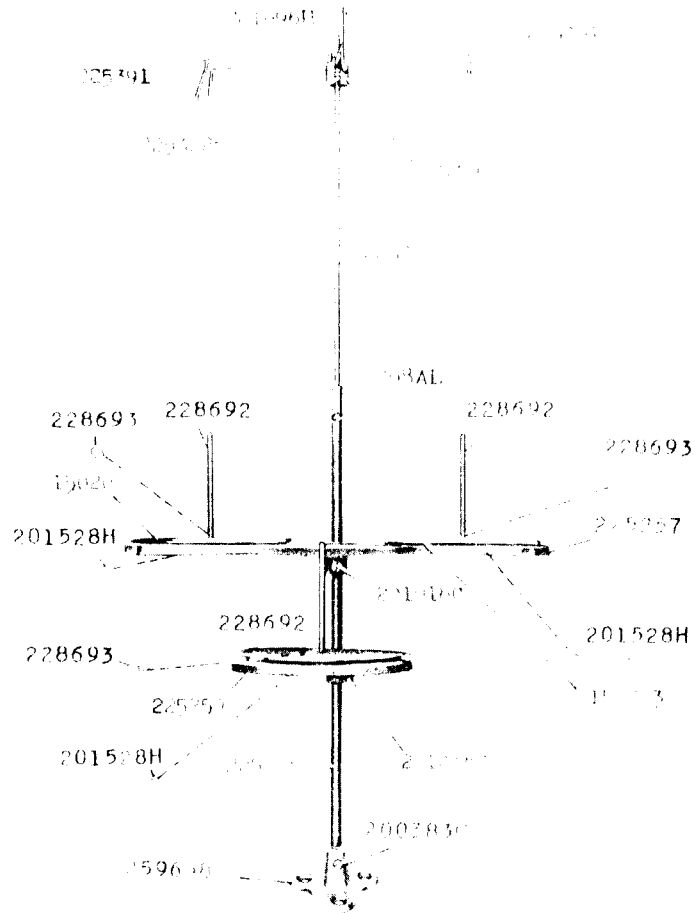


16063 - 1/2



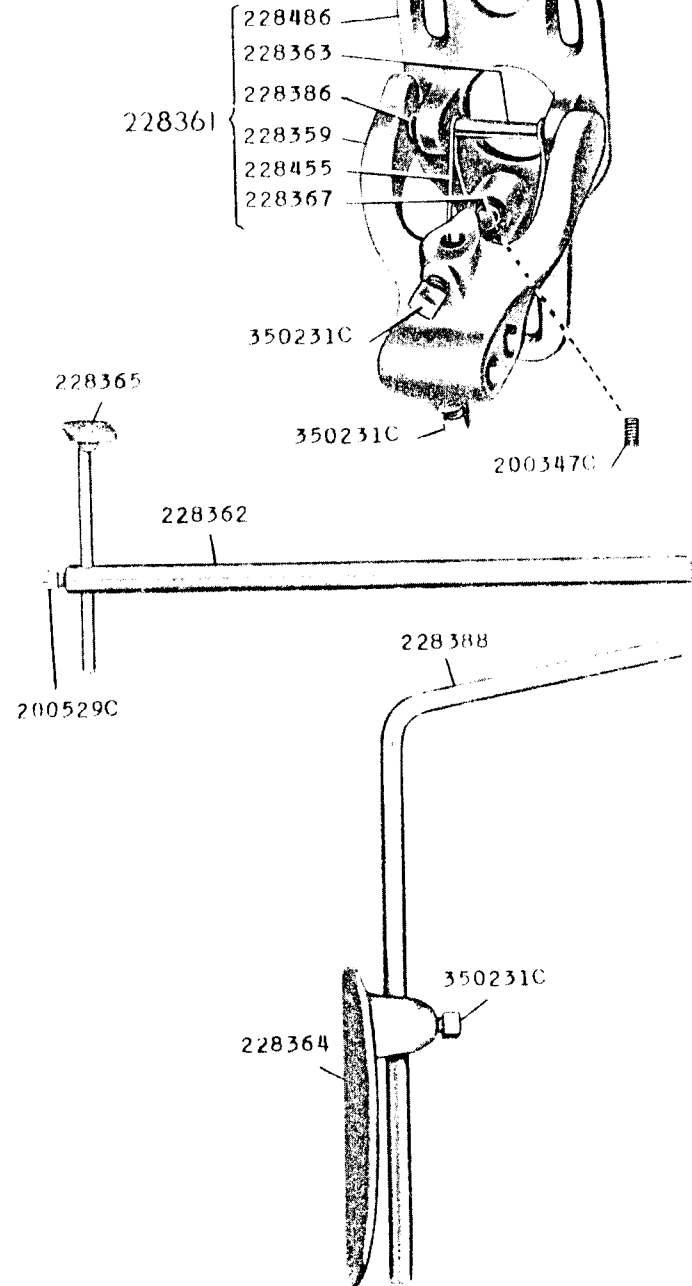
16257 - 1/6

259143

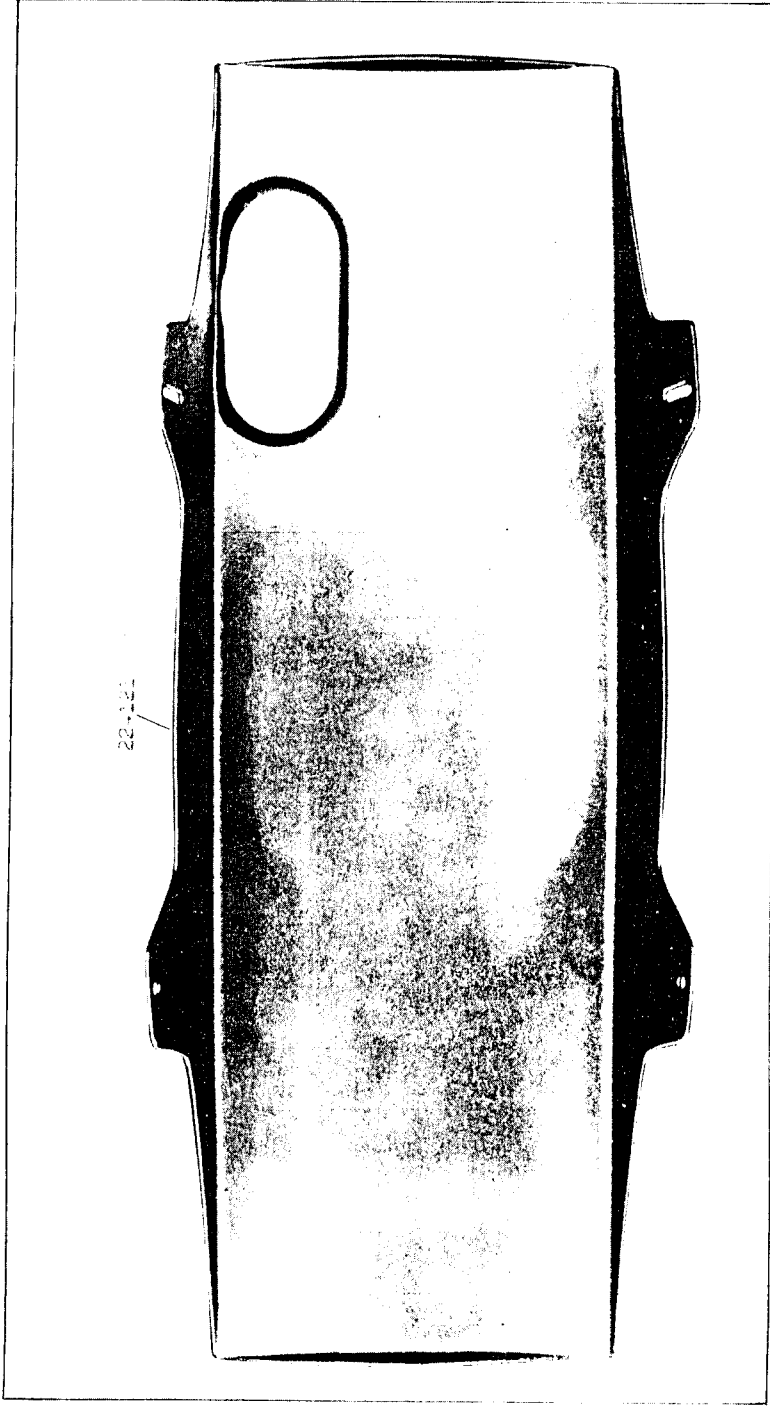


16643 - 3/8

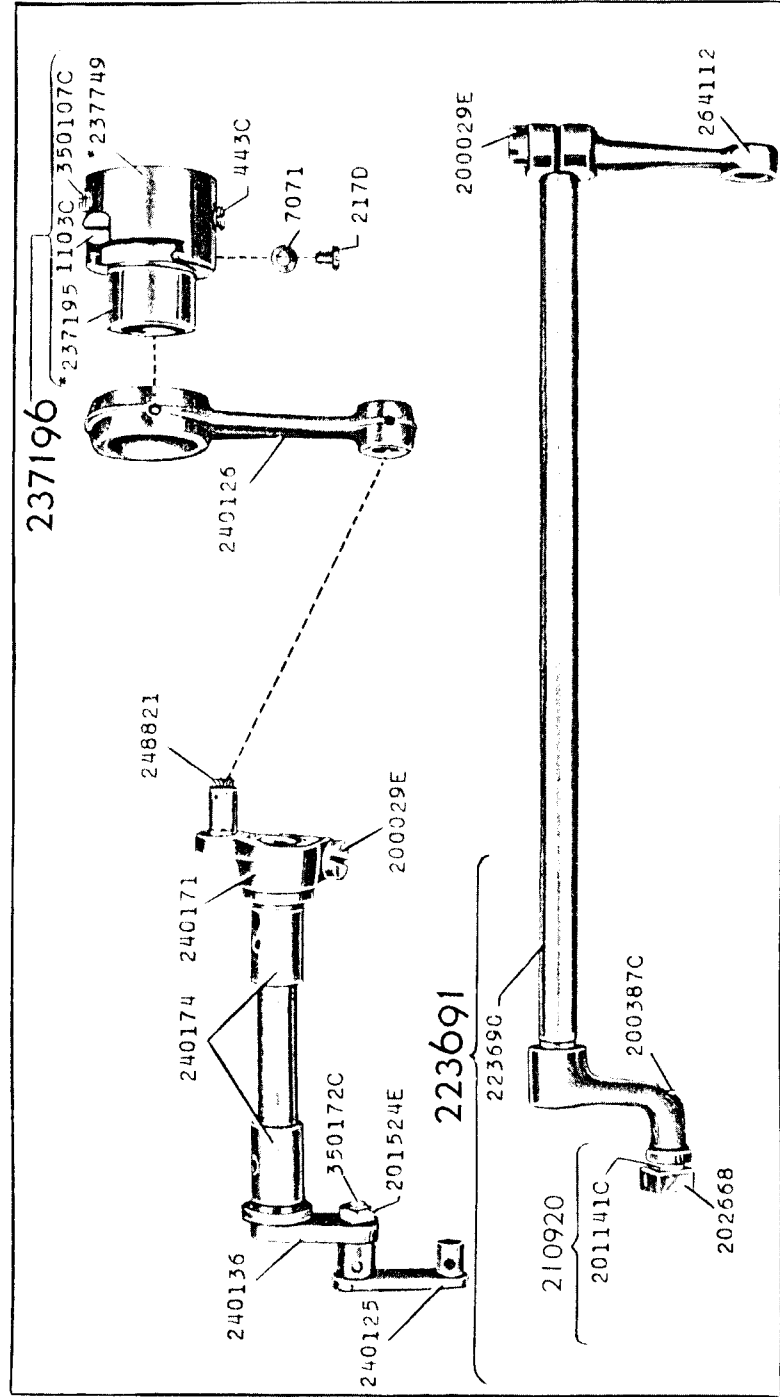
228368



16644 - 1/3



17258-1/2



18312 - 3/8

