

Form 2532w
(1038)
Printed in U. S. A.

HISTORICAL COPY
DO NOT REMOVE

LIST OF PARTS



MACHINE No. 79-4

THE SINGER MANUFACTURING COMPANY

INDEX

Copyright, U. S. A., 1938
by The Singer Manufacturing Co.
All Rights Reserved for all Countries

	Page
Accessories	17
Bed Extension	20
Bobbin Winder	17
Iron Base	18
Machine No.79-4	5
Miscellaneous Parts	20
Numerical List of Parts	23
Obsolete Parts	21
Table Belt Guides	13
Thread Unwinder	19
Treadle	20

INSTRUCTIONS FOR ORDERING

In ordering from this list, use ONLY the part NUMBER in the FIRST column.

The number stamped on a Sewing Machine Part is in every case the number of the single part only.

Every combination of parts sent out as such has its specific number, which, although not stamped on the parts, must be used when ordering the combination.

Each number always indicates the SAME PART in whatever list it appears, or for whatever machine.

The letters after some of the numbers indicate the style of finish only, as follows:

- A-Hardened, Polished, Nickel Plated and Buffed
- A.A-Buffed and Chromium Plated
- A.B-Hardened, Polished, Buffed and Chromium Plated
- B-Polished, Nickel Plated and Buffed
- C-Hardened Only
- C.R-Hardened and Merlized
- D-Polished Only
- E-Soft, Not Polished
- F-Hardened and Polished
- F.J-Hardened, Polished and Nickel Plated
- G-Bright Rumbled and Nickel Plated
- H-Blued
- J-Nickel Plated Only
- K-Hardened and Nickel Plated
- L-Brass Plated
- M-Oxidized
- N-Japanned, Dull
- P-Japanned, Bright
- P.P-Wrinkle Finish
- R-Merlized
- S-Cadmium Plating
- T-Copper Plated
- T.A-Hardened, Polished, Copper and Nickel Plated and Buffed
- T.B-Copper and Nickel Plated and Polished
- T.J-Copper and Nickel Plated Only
- T.K-Hardened, Copper and Nickel Plated
- T.L-Copper and Brass Plated
- T.M-Copper Plated and Oxidized
- U-Zinc Plated
- V-Silver Plated
- W-Polished and Nickel Plated
- X-Black Oxide, for Iron and Steel
- X.C-Hardened and Black Oxide, for Iron or Steel
- Y-Black Nickel Plated Only
- Z-Chromium Plated
- Z.A-Hardened, Polished, Nickel Plated, Buffed and Chromium Plated
- Z.B-Polished, Nickel Plated, Buffed and Chromium Plated
- Z.C-Hardened and Chromium Plated
- Z.D-Polished and Chromium Plated
- Z.G-Bright Rumbled, Nickel Plated, Bright Rumbled and Chromium Plated
- Z.J-Nickel and Chromium Plated
- Z.T-Copper and Chromium Plated

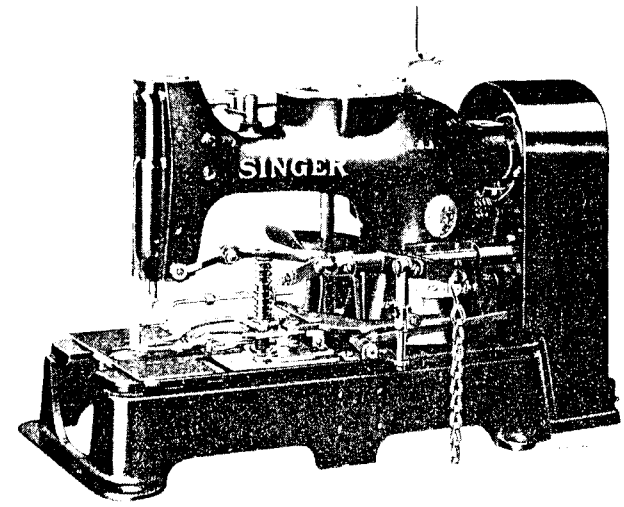
These letters MUST BE USED when they appear in the list; and AFTER the number as in the list.

In this series:
 1 to 1500, 50001 to 51500 and 140001 to 142000 are Screw Numbers
 1501 to 1800 and 51501 to 51800 are Nut Numbers
 1801 to 2000 and 51801 to 52000 are Roller Numbers
 2001 to 50000 and 52001 to 140000 and 142001 to 190000 are Sewing Machine Parts, 190001 and upward are numbers of Electrical Parts.

The figures in the second column refer only to the plates, illustrating the parts, and are NOT TO BE USED in ordering.

Parts marked with an asterisk (*) are furnished only when repairs are made at factory.

LIST OF PARTS COMPLETE FOR



MACHINE No. 79-4

Makes Tack from 5/8 to 1 5/8 in. long; Cuts Both Threads Automatically; the Number of Stitches to each Tack can be Varied at Will and the Width of Bight from 1/16 to 1/4 inch.

For Tacking Hose Supporters to Corsets. etc.

No.	Plate	Name
*40098	-----	Arm with 24081
8582	17881	" Dowel Pin (2)
748E	17981	" Screw (back) (2)
868E	17881	" " (front) (2)
23352	18212	" Shaft
*24091	-----	" " Bushing (front)
12357	18212	" " Flanged Bushing (back)
435C	18212	" " " " " Set Screw
4784	18212	" " Oil Pad (2)
1069D	18212	" " Screw
12193	18212	" Side Cover
51224B	18212	" " " Thumb Screw
23671	18212	" Top Cover
808F	18212	" " " Screw (3)
*40099	-----	Bed
39538	17881	" Oil Guard
1235F	17881	" " " Screw (2)
389F	17897	Bobbin Winder Base Plate Screw (2)

PARTS FOR MACHINE No. 79-4

No.	Plate	Name
135D	17897	Bobbin Winder Tension Bracket Screw
39539	18215	Clamp Arm
625F	18214	" " Adjusting Screw (2)
1547J	18214	" " " " Nut (2)
39540	18214	" " Bracket with 196F
40003	18214	" " " Guide (left)
219F	18214	" " " " Screw (2)
40004	18214	" " " " (right)
207F	18214	" " " " Screw (2)
191C	18214	" " " " Screw (3)
39541	18214	" " " " Washer (3)
23379	18214	" " Hinge Block
23380	18214	" " " " Pin
196F	18214	" " " " Set Screw
1231F	18214	" " Screw (3)
39719	18213	" Carrier
40006	18216	" " Block with 40007 and four 404D
40007	18216	Clamp Carrier Block Plate
404D	18216	" " " " Screw
23384	18216	" " Connecting Rod
52C	18216	" " " " Hinge Screw
39591	18213	" " Guide (left)
756D	18213	" " " " Screw (long)
1345D	18213	" " " " (short)
39645	18213	" " " " (right)
1230F	18213	" " " " Screw (2)
40100	18214	" " Plate
1231F	18214	" " " " Screw (back) (2)
404D	18214	" " " " (front) (2)
39543	18216	" " Regulator with 233D and 1960
1232C	18216	" " " Hinge Screw
1960	18216	" " " Roller and Screw Stud with 1520J
1520J	18216	Clamp Carrier Regulator Roller and Screw Stud Nut
39544	17881	Clamp Carrier Regulator Slide
350076C	18216	" " " Stud (to regulate length of tack)
1671C	18216	Clamp Carrier Regulator Stud Nut
39532	18216	" " " " Sleeve
233D	18216	" " " " Stop Screw
39720	18213	" " Slide with 1345D, 39591 and two 756D
23392	18213	Clamp Carrier Slide Guide (left)
914F	18213	" " " " " Screw (2)
23393	18213	" " " " (right)
914F	18213	" " " " " Screw (2)
1346D	18213	" " " " Screw (2)
40101	18215	" Check with 40103, two each 237F and 1348E

PARTS FOR MACHINE No. 79-4

No.	Plate	Name
40102	18215	Clamp Check complete, Nos. 219F, 2269, 39728 39729, 40049, 40050 and 40101
40103	18215	Clamp Check Section and Cutting Plate
237F	18215	" " " " " " " "
		Screw
1348E	18215	Clamp Check Section and Cutting Plate Support Stud
1297F	18215	Clamp Check Screw (2)
39724	18215	" Lifting Arm
40015	17894	" " " Connection
41C	17894	" " " " Hinge Screw
1520J	17894	" " " " " " Nut
1901	17894	" " " " Roller and Screw Stud with 229D and 12424
40016	17894	Clamp Lifting Arm Connection Roller and Screw Stud Bracket
157F	17894	Clamp Lifting Arm Connection Roller and Screw Stud Bracket Screw
39541	17894	Clamp Lifting Arm Connection Roller and Screw Stud Bracket Screw Washer
229D	17894	Clamp Lifting Arm Connection Roller Cap Screw
12424	17894	Clamp Lifting Arm Connection Roller Cap Screw Washer
199D	18215	Clamp Lifting Arm Screw (2)
40017	17894	" " " " Stop
40018	17894	" " " " Bracket
162D	17894	" " " " " Screw (2)
1248C	17894	" " " " Hinge Screw
1611E	17894	" " " " " " Nut
40019	17894	" " " " Pitman
59D	17894	" " " " " Hinge Screw (2)
40020	18214	" Plate
1235F	18213	" " Screw (4)
23573	18214	" " Support
402D	18214	" " " Screw (2)
23574	18214	" Post
1659C	18214	" Pressure Regulating Thumb Nut
39514	18214	" Spring
23693	18214	" " Bushing
1294C	18214	" " " Position Stud
1550J	18214	" " " " " Nut
24028	18192	Crank Connecting Rod with 24085 and two 896E
*24085	-----	Crank Connecting Rod Cap
896E	18192	" " " " " Screw
908C	18192	" " " " Hinge Screw
1619E	18192	" " " " " " Nut
249631	17881	Face Plate
219D	17881	" " " Screw (lower) (2)
190D	17881	" " " " (upper)

No.	Plate	Name
23672	18192	Feed Connecting Rod with L2204 and two 145E
*12204	-----	Feed Connecting Rod Cap
145E	18192	" " " " " Screw
375C	18192	" " " " " Hinge Screw
1518E	18192	" " " " " " Nut
40021	18212	" Eccentric with 448C
448C	18212	" " " " " Set Screw
39994	18216	" Hand Ratchet Lever
23414	18216	" " " " " Collar with two 453C
453C	18216	Feed Hand Ratchet Lever Collar Set Screw
39995	18216	" " " " " Pawl Body
39996	18216	Feed Hand Ratchet Lever Pawl complete, Nos. 207E, 39523, 39995 and two 1049E
90D	18216	Feed Hand Ratchet Lever Pawl Hinge Screw
39523	18216	" " " " " " Point
1049E	18216	" " " " " " " Position Screw
207E	18216	Feed Hand Ratchet Lever Pawl Point Screw
13218	18216	" " " " " " Spring
39997	18216	Feed Hand Ratchet Lever complete, Nos. 90D 13218, 39994 and 39996
39924	18216	Feed Hand Ratchet Wheel, with 460C
3012	18216	" " " " " Pin
460C	18216	" " " " " Set Screw
23418	18192	" Rock Shaft
23419	18192	Feed Rock Shaft complete, Nos. 23418 and 23420
23420	18192	Feed Rock Shaft Hinge Pin with 23421
23421	18192	" " " " " Plug (leather)
448C	18192	" " " " " " Set Screw
40104	18217	" Wheel with 23432 and two 220D, for making 1 in. tack
249555	18217	Feed Wheel Clutch Disc
249562	18217	" " " " " 249555 with 249549 to 249551, three each 185H, 201897, 255096 and 255097
249556	18217	Feed Wheel Clutch Disc Locking Plate with 350415C
350415C	18217	Feed Wheel Clutch Disc Locking Plate Screw
249560	-----	Feed Wheel Clutch (positive) complete, for machines equipped with spring clutch, Nos. 52C, 201724A, 249556 to 249559, 249561, 249562, 249820 and Form 2461W
201897	18217	Feed Wheel Clutch Roller (3)
249549	18217	" " " " " Carrier
249550	18217	" " " " " " Oiling Felt

No.	Plate	Name
255096	18217	Feed Wheel Clutch Roller Spring (3)
255097	18217	" " " " " " Guide (3)
249551	18217	" " " " " Driving Lever
249561	18217	" " " " " Pitman with 23429 50088C and two 196E
50088C	18217	Feed Wheel Driving Lever Pitman Ball Joint Screw
*23429	-----	Feed Wheel Driving Lever Pitman Cap
196E	18217	" " " " " " " Screw
249557	18217	" " " " " " Plate
52C	18217	" " " " " " Screw
1236C	18217	" " " " " " Regulating Stud
7070	18217	" " " " " " " Sleeve
201724A	18217	Feed Wheel Driving Lever Regulating Stud Thumb Nut
185H	18217	Feed Wheel Driving Lever Screw
249558	18217	" " " " " " Washer (felt)
1237C	18217	" " " " " Friction Ring Screw
1520J	18217	" " " " " " Nut
14017	18217	" " " " " " Washer
23552	18217	" " " " " " Section (long)
23553	18217	" " " " " " " (short)
23354	18217	" " " " " " Spring
23555	18217	Feed Wheel Friction Ring complete, Nos. 23552 to 23554
2117C	18217	Feed Wheel Pin
249559	18217	" " " " " Retaining Clutch
39595	18217	" " " " " " Cap
898C	18217	" " " " " " " Screw
39504	18217	" " " " " " " Washer
2256	18217	" " " " " " Spring
233D	18217	" " " " " " " Screw
721D	18217	" " " " " " " Stop Screw
39596	18217	" " " " " " Stud
23431	18216	" " " " " Shaft
457C	18216	" " " " " " Oil Hole Plug Screw
23433	18217	" " " " " Tripping Lever
1257C	18217	" " " " " " Hinge Screw
23587	18217	" " " " " " Point
203C	18217	" " " " " " " Screw (2)
23435	18217	" " " " " " Spring
190D	18217	" " " " " " " Screw
179E	18217	" " " " " " Stop Screw
23432	18217	" " " " " Point
220D	18217	" " " " " " " Screw
40066	18218	Needle Bar with 857H
23476	18218	" " " " " Connecting Link with 794E
794E	18218	" " " " " " Adjusting Screw

No.	Plate	Name
1021E	18218	Needle Bar Connecting Link Cap Screw
39601	18218	" " " Stud with 1341C
1341C	18218	" " " Set Screw
23477	18212	" " Crank with 858C, 1036C, 1065C and 1258C
1065C	18212	Needle Bar Crank Position Screw
858C	18212	" " " Set Screw
23478	18218	" " Frame with 4784
39966	18218	" " " Cam and Bevel Gear
1244C	18218	" " " " " " Screw
40105	18218	" " " Connecting Link
78C	18218	" " " " " Hinge Screw
39967	18212	Needle Bar Frame Driving Bevel Pinion with two 453C
453C	18212	Needle Bar Frame Driving Bevel Pinion Set Screw
23610	18218	Needle Bar Frame Pitman (hinge screw end)
23609	18218	Needle Bar Frame Pitman (regulator end)
190C	18218	" " " " Adjusting Screw
7071	18218	" " " " " " Washer
23611	18218	Needle Bar Frame Pitman (adjustable) complete, Nos. 23609, 23610, two each 190C and 7071
1042C	18218	Needle Bar Frame Pitman Hinge Screw
1547J	18218	" " " " " " Nut
23491	18218	" " " Regulator
39900	18218	" " " " 23491 with 1245C
1038C	18218	" " " " Adjusting Screw
7070	18218	" " " " " " Sleeve
1589C	18218	Needle Bar Frame Regulator Adjusting Screw Thumb Nut
23877	18218	Needle Bar Frame Regulator with 1956
1956	18218	" " " " Roller and Screw Stud with 229D, 1655C and 23389
1655C	18218	Needle Bar Frame Regulator Roller and Screw Stud Nut
229D	18218	Needle Bar Frame Regulator Roller Cap Screw
23389	18218	Needle Bar Frame Regulator Roller Cap Screw Washer
1245C	18218	Needle Bar Frame Regulator Screw
23667	18218	" " " " Stud
303C	18218	" " " " Screw Center (lower)
1608C	18218	" " " " " " Nut
673F	18218	" " " " " (upper)
1517D	18218	" " " " " " Nut

No.	Plate	Name
40106	18213	Needle Plate
404D	18213	" " Screw (2)
857H	18218	" Set Screw
39653	18192	Oscillating Rock Shaft
39654	18192	Oscillating Rock Shaft complete, Nos. 4784 23494 and 39653
23494	18192	Oscillating Rock Shaft Hinge Pin with 23421
23421	18192	Oscillating Rock Shaft Hinge Pin Oil Hole Plug (leather)
448C	18192	Oscillating Rock Shaft Hinge Pin Set Screw
4784	18192	Oscillating Rock Shaft Oil Pad
39655	18212	" Shaft
39656	18212	" " Bushing (back)
24047	18212	" " " (front)
39657	18212	" " Crank
39692	18212	Oscillating Shaft Crank complete, Nos. 1636E, 15171, 39657 and two 1253C
1253C	18212	Oscillating Shaft Crank Set Screw
15170	18212	" " " Slide Block
226J	18212	" " " " " Cap Screw
12424	18212	Oscillating Shaft Crank Slide Block Cap Screw Washer
1035C	18212	Oscillating Shaft Crank Slide Block Screw Stud
1636E	18212	Oscillating Shaft Crank Slide Block Screw Stud Nut
15171	18212	Oscillating Shaft Crank Slide Block complete, Nos. 226J, 1035C, 12424 and 15170
39927	18212	Pulley 40024 with 40025
*249538	-----	" (loose) with 200584D
249891	18212	" " Ball Bearing
249539	18212	" " Bushing
200584D	18212	" " Grease Retaining Screw
249540	18212	Pulley (loose, ball bearing) complete, Nos. 249538, 249539 and 249891
40024	18212	Pulley (tight)
249541	18212	" " Counterbalance
249542	18212	" " " Rivet
40025	18212	" " Pin
23500	18200	Shuttle Bobbin
15140	18200	" " Case Latch
2973	18200	" " " " Lever
2974	18200	" " " " Fulcrum Pin
2975	18200	" " " " Spring
592E	18200	" " " " Stop Screw
15141	18200	" " Hinge, Nos. 2973, 2974 and 15140

No.	Plate	Name
39623	18200	Shuttle Bobbin Case Position Finger
2523	18200	" " " " " Rivet
249546	18200	" " " " " Plate
399D	18200	" " " " " Screw
40112	18200	Shuttle Bobbin Case complete, Nos. 591F, 592C, 2523, 2975, 15141, 15278 and 39623
40028	18200	Shuttle Body
40029	18200	" 1-11/16 in. diam., Nos. 23500, 40028 and 40112
23505	18212	Shuttle Driver with 462C
2269	18212	" " Pin
462C	18212	" " Set Screw
249924	18200	" Race
39969	18200	" " Back
2532	18200	" " " Position Pin
2533	18200	" " " Spring
907E	18200	" " " Screw
7326	18200	" " Cap
662D	18200	" " " Screw
249928	18200	" " Oil Packing (felt)
249926	18200	" " Plate
203E	18200	" " " Screw
249927	18200	" " Position Pin
249929	18200	Shuttle Race complete, Nos. 907E, 2533, 7326, 39969, 249546, 249924, 249926, two each 399D, 662D, 2532, 249927, 249928 and three 203E
145F	18200	Shuttle Race Screw (2)
591F	18200	" Tension Regulating Screw
15278	18200	" " Spring
40030	18199	Starting Lever
717C	18199	" " Adjusting Screw
1520J	18199	" " " " " Nut
*66108	-----	" " " Belt Shifter Fork
*66109	-----	" " " " " Shank
21643	18199	Starting Lever Belt Shifter, complete, Nos. 66108 and 66109
159F	18199	Starting Lever Belt Shifter Screw
23510	18199	" " Bracket
8582	18199	" " " Dowel Pin (2)
123E	18199	" " " Screw
23511	18199	" " Rod
61C	18199	" " " Hinge Screw
564C	18199	" " Screw Center
58384	18199	" " " " 564C with 1508E (2)
1508E	18199	Starting Lever Screw Center Nut
14174	18199	" " Spring
124F	18199	" " Stop Screw
1518J	18199	" " " " Nut

No.	Plate	Name
39628	18212	Stop Cam with 39629 and 202330
39580	18199	" " Interlocking Rod
40031	18199	" " " " Guide with 1070C
1070C	18199	Stop Cam Interlocking Rod Guide Set Screw
39988	18199	Stop Cam Interlocking Rod Guide Washer (rawhide)
21651	18199	Stop Cam Interlocking Rod Spring
913C	18199	" " " " " Regulating Thumb Screw
1638E	18199	Stop Cam Interlocking Rod Spring Regulating Thumb Screw Nut
202330	18212	Stop Cam Oil Packing (wick)
39629	18212	" " Pin
23515	18212	" " Spring (long)
23516	18212	" " " (short)
249543	18212	" " " Cover with 249541, two each 9780 and 249542
9780	18212	Stop Cam Spring Cover Position Pin
997E	18212	" " " " " Screw (2)
39637	18212	" " " Stop Block
1349C	18212	" " " " " Screw
39638	18212	" " " " " Block
457C	18212	" " " " " Set Screw
23518	18216	" Lever
78D	18216	" " Hinge Screw
9540	18216	" " Spring
2102	18202	Tension Disc (2)
1560C	18202	" Regulating Thumb Nut
23519	18202	" Releaser with 200F
40033	17894	" " Arm with 50128E
12538	17894	" " " Pin
50128E	17894	" " " Set Screw
200F	18202	" " Set Screw
23520	18202	" " Shaft
40034	18202	" " " Crank
679C	18202	" " " " Ball Screw Stud
1520J	18202	" " " " " " " Nut
2269	18202	" " " " " Pin
413F	18202	" Screw Stud
2103	18202	" Spring
23669	18202	" Thread Guard
460C	18202	" " " Set Screw
40035	18213	Thread (lower) Cutting Blade
40036	18213	" " " " " Carrier with 40038
40037	17894	Thread (lower) Cutting Blade Carrier Lever
32C	17894	Thread (lower) Cutting Blade Carrier Lever Hinge Screw

PARTS FOR MACHINE No. 79-4

No.	Plate	Name
39736	17894	Thread (lower) Cutting Blade Carrier Lever Spring
1241E	17894	Thread (lower) Cutting Blade Carrier Lever Spring Screw Stud (2)
435C	17894	Thread (lower) Cutting Blade Carrier Lever Stop Screw
1520J	17894	Thread (lower) Cutting Blade Carrier Lever Stop Screw Nut
40038	18213	Thread (lower) Cutting Blade Carrier Stud
39646	18213	Thread (lower) Cutting Blade Friction Plate
228F	18213	Thread (lower) Cutting Blade Friction Plate Screw (2)
240D	18213	Thread (lower) Cutting Blade Screw (2)
40040	17894	" " " Lever
1351C	17894	" " " " Ball Screw
1520J	17894	" " " " " Nut
39921	17894	" " " " Extension
966D	17894	" " " " " Screw
1671C	17894	" " " " " Nut
249845	18213	" " Pull-off Finger
106C	18213	" " " " Guide Screw
1350C	18213	" " " " Hinge Screw
39728	18215	" (upper) Clamping Blade
39729	18215	" " Cutting Blade
40107	18215	" " " " Connecting Rod
40044	18215	" " " " " "
		Collar (front) with 237F
2273	18215	Thread (upper) Cutting Blade Connecting Rod Collar (front) Pin
237F	18215	Thread (upper) Cutting Blade Connecting Rod Collar (front) Set Screw
40045	18215	Thread (upper) Cutting Blade Connecting Rod Collar (front) Washer (rawhide)
106C	18215	Thread (upper) Cutting Blade Connecting Rod Hinge Screw
23606	18215	Thread (upper) Cutting Blade Connecting Rod Spring
39611	18215	Thread (upper) Cutting Blade Connecting Rod Spring Bracket
203F	18215	Thread (upper) Cutting Blade Connecting Rod Spring Bracket Screw (2)
7071	18215	Thread (upper) Cutting Blade Connecting Rod Spring Bracket Screw Washer (2)
40047	18215	Thread (upper) Cutting Blade Connecting Rod Spring Collar with 646F
646F	18215	Thread (upper) Cutting Blade Connecting Rod Spring Collar Set Screw
240D	18215	Thread (upper) Cutting Blade Connecting Rod Stop Screw

PARTS FOR MACHINE No. 79-4

No.	Plate	Name
21699	18215	Thread (upper) Cutting Blade Position Pin
219F	18215	Thread (upper) Cutting Blade Screw
40049	18215	" " " " Shaft with 21699
40050	18215	Thread (upper) Cutting Blade Shaft Crank with 906C
2269	18215	Thread (upper) Cutting Blade Shaft Crank Pin
906C	18215	Thread (upper) Cutting Blade Shaft Crank Set Screw
40051	17894	Thread (upper) Cutting Lever with 641C
40052	17894	" " " " Lock Pin
1352C	17894	" " " " " Screw
		Bushing
40053	17894	Thread (upper) Cutting Lever Lock Pin Spring
2117C	17894	Thread (upper) Cutting Lever Pin
641C	17894	" " " " Set Screw
40054	17894	" " " " Shaft
40067	17894	" " " " " Bracket
966D	17894	" " " " " "
		Screw (4)
39612	17894	Thread (upper) Cutting Lever Shaft Crank with two each 200F and 40059
40057	17894	Thread (upper) Cutting Lever Shaft Latch
766D	17894	" " " " " "
		Hinge Screw
40058	17894	Thread (upper) Cutting Lever Shaft Latch Spring
206F	17894	Thread (upper) Cutting Lever Shaft Latch Spring Screw
1144F	17894	Thread (upper) Cutting Lever Shaft Latch Spring Screw
40059	17894	Thread (upper) Cutting Lever Shaft Latch Stop Pin
200F	17894	Thread (upper) Cutting Lever Shaft Set Screw
40060	17894	Thread (upper) Cutting Lever Spring
1241E	18199	" " " " " Screw
		Stud (2)
717C	17894	Thread (upper) Cutting Lever Stop Screw
1520J	17894	" " " " " "
		Nut
12400	18202	Thread Retainer Sleeve
12401	18202	" " Spring
12402	18202	" " Stud
460C	18202	" " " Set Screw
12399	18202	Thread Retainer complete, Nos. 12400 to 12402

No.	Plate	Name
23523	18218	Thread Take-up Crank
1036C	18212	" " " Position Screw
1258C	18212	" " " Set Screw
23524	18218	" " " Lever
12166	18218	" " " Hinge Pin
23543	18218	" " " Link
11204	18218	" " " " Hinge Pin
435C	18218	" " " " " " Set Screw
23525	18218	Thread Take-up Lever complete, Nos. 12166, 23524 and 23543
4784	18218	Thread Take-up Lever Oil Pad
7335	18202	" " " Spring
23526	18202	" " " Regulator
446C	18202	" " " " Set Screw

Genuine Singer Needles should be used
in Singer Machines.
These Needles and their Containers
are marked with the
Company's Trade Mark "SIMANCO." 1

Needles in Containers marked
"For Singer Machines"
are not Singer made needles. 2

ACCESSORIES

No.	Plate	Name
40108	18214	Guide
1238F	18214	" Screw
23500	18200	Shuttle Bobbin (5)
71 x 1	18208	Needles, 3 each, sizes 16 and 18
39728	18215	Thread (upper) Cutting Blade
39729	18215	" " " "
40035	18213	" (lower) Cutting Blade
23527	17899	Drip Pan with two wood screws 1/2 in., No. 5, R.H.B.
41401	18204	Machine Rest Pin (wood)
120346	18204	Oiler (copper plated) with 120347
120347	18204	" Spout, 8-1/2 in. long
11831	18204	Screw Driver (5 in. blade) (machine, large)
*120088	-----	Screw Driver Blade
*120090	-----	" " Handle
26026	18204	" " (machine, small) Nos. 120088 and 120090
*120092	-----	Screw Driver Blade
*120094	-----	" " Handle
26485	18204	" " (shuttle tension) Nos. 120092 and 120094
23551	17899	Treadle Chain Screw Eye (2)
10875	18204	Wrench, for 1518 and 1520
21654	18204	" " 1508 and 1638
23535	18204	" " 1671 for regulating length of tack
249820	18204	Wrench, for 249560 and 350415

BOBBIN WINDER

27914	17897	Base with 27916 and two 28084
27915	17897	" Plate
389F	17897	" Screw
15072	17897	Bobbin Position Pin
27916	17897	Brake (leather)
28084	17897	" Rivet
27302	17897	Frame
50356D	17897	" Hinge Screw
1620J	17897	" " " Nut
27917	17897	" Spring
27918	17897	Pulley
*27849	-----	Spindle
27538	17897	" 27849 with 15072, 27850 and 41828
*27850	-----	" Collar

ACCESSORIES

No.	Plate	Name
41828	17897	Spindle Collar Pin
27919	17897	Stop Latch
	35D 17897	" " Hinge Screw
27920	17897	Tension Bracket with 452C
41336	17897	Tension Bracket complete, Nos. 5989, 10145 and 27920
27921	17897	Tension Bracket with Rod complete, Nos. 27922 and 41336
2455	17897	Tension Disc
1562J	17897	" Regulating Thumb Nut
418D	17897	" Screw Stud
10141	17897	" Spring
10145	17897	" Thread Guide
5989	17897	Tension complete, Nos. 418D, 1562J, 10141 and two 2455
27922	17897	Thread Eyelet Rod
452C	17897	" " " Set Screw
27923	17897	Bobbin Winder, Nos. 35D, 1620J, 27302, 27538, 27914, 27917 to 27919 and 50356D
27924	17897	Bobbin Winder (swinging, automatic, right hand) complete, Nos. 27915, 27921, 27923 and two 389F

IRON BASE

39910	17899	Bed Frame with two each 16555, 19398, four each 158E, 24106, six 14010 and four wood screws 1-1/4 in., No. 12
24106	17899	Bed Frame Cushion (felt)
158E	17899	" " " Screw
19226	17899	" " Hinge Connection
19398	17899	" " " " 19226 with 211E and 19397
19397	17899	Bed Frame Hinge Connection Cap
211E	17899	" " " " " Screw
16555	17899	" " " " Plate
14010	17899	" " " " Rivet
39911	17899	Splash Guard with 201655J
39912	17899	" " Hinge
200574E	17899	" " " Screw
201655J	17899	" " Locking Screw Wing Nut
39913	17899	Bed Frame and Splash Guard complete, Nos. 39910, 39911, two 39912 and eight 200574E

TABLE BELT GUIDES

No.	Plate	Name
23536	18204	Belt Guide with two 168E
168E	18204	" " Set Screw
14229	18204	Bracket with 448C
23538	18204	Pulley
39708	18204	" Shaft with 858C and 130901
858C	18204	" " Oil Hole Plug Screw
130901	18204	" " " Wick
448C	18204	" " Set Screw
39709	18204	Table Belt Guide (single, right) complete Nos. 14229, 23536, 23538, 39708 and four wood screws 1-1/4 in., No. 12, R.H.B.
39716	18204	Table Belt Guide (single, left) complete, Nos. 14229, 23536, 23538, 39708 and four wood screws, 1-1/4 in., No. 12, R.H.B.

THREAD UNWINDER

225257	17900	Spool Rest (for two spools) (flat) with 201018C
150203	17900	Spool Rest Cushion (felt)
225388	17900	" " Rod
200383C	17900	" " " Set Screw
201018C	17900	" " Set Screw
202490	17900	" Stand with 200383C
225391	17900	Thread Guide
201696J	17900	" " Lock Nut
225326	17900	" " Position Cup
225324	17900	" " Rod with 208E and 225322
208E	17900	" " " Screw
225322	17900	" " " Washer
225258	17900	Thread Unwinder (for two spools) complete, Nos. 201696J, 202490, 225257, 225258, 225324, 225326, 225388, two each 150203, 225391, and three wood screws 7/8 in., No. 12

ACCESSORIES

TREADLE

No.	Plate	Name
14372	17899	Treadle
39569	17899	" Chain 45 in. long, with 39575 and 39576 (2)
39570	18204	Treadle Chain Guide Bracket
39571	18204	" " " Pulley
1064D	18204	" " " " Screw
39575	17899	" " Hook (lower)
39576	17899	" " " (upper)
39572	18204	Treadle Chain Guide complete, Nos. 39570, two each 1064D, 39571 and wood screws 1-1/4 in., No. 12, R.H.B. (2)
23551	17899	Treadle Chain Screw Eye (2)
14373	17899	" Extension
50581R	17899	" " Screw
2718R	17899	" " " Washer
17881	17899	" Shaft
14374	17899	" Spring
14375	17899	" Stand
14376	17899	Treadle complete, Nos. 2718R, 14372 to 14375, 17881, 50581R and two wood screws 1-1/4 in., No. 12, F.H. (2)

BED EXTENSION

40062	18203	Bed Extension with 436C
436C	18203	" " Plate Screw
40063	18203	" " Shaft
436C	18203	" " " Set Screw
40064	18203	" " Stand with 436C
40065	18203	Bed Extension complete, Nos. 40062 to 40064 and three wood screws 1-1/4 in. No. 12, R.H.B. (2)

MISCELLANEOUS PARTS

USED IN CONJUNCTION WITH THREAD UNWINDER

60913	17900	Spool Weight with 60914
60914	17900	" " Center Pin
225377	17900	" Wire, for small parts
27739	17900	Thread Cone (wood)
225390	17900	" " Holder

OBSOLETE PARTS

No.	Plate	Name
23373	18203	Belt Cover
39582	18203	" " Bracket
23375	18203	" " Hinge Block with 460C
23376	18203	" " " " Pin
23537	18203	Table Belt Guide Bracket with 448C
23539	18203	" " " Pulley Shaft with 436C
23540	18203	Table Belt Guide (double) complete, Nos. 23537, 23539 two each 23536, 23538 and four wood screws 1-1/4 in., No. 12, R.H.B.

Genuine Singer Needles should be used in Singer Machines. These Needles and their Containers are marked with the Company's Trade Mark "SIMANCO." 1

Needles in Containers marked "For Singer Machines" are not Singer made needles. 2

Genuine Singer Needles should be used
in Singer Machines.
These Needles and their Containers
are marked with the
Company's Trade Mark "SIMANCO." 1

Needles in Containers marked
"For Singer Machines"
are not Singer made needles. 2

NUMERICAL
LIST
OF PARTS

NUMERICAL LIST OF PARTS

No.	Plate	Name
32C	17894	Thread (lower) Cutting Blade Carrier Lever Hinge Screw
35D	17897	Bobbin Winder Stop Latch Hinge Screw, for 27923
41C	17894	Clamp Lifting Arm Connection Hinge Screw
52C	18216	" Carrier Connecting Rod Hinge Screw
52C	18217	Feed Wheel Driving Lever Plate Screw, for 249560
59D	17894	Clamp Lifting Arm Stop Pitman Hinge Screw
61C	18199	Starting Lever Rod Hinge Screw
78C	18218	Needle Bar Frame Connecting Link Hinge Screw
78D	18216	Stop Lever Hinge Screw
90D	18216	Feed Hand Ratchet Lever Pawl Hinge Screw for 39997
106C	18213	Thread (lower) Pull-off Finger Guide Screw
106C	18215	Thread (upper) Cutting Blade Connecting Rod Hinge Screw
123E	18199	Starting Lever Bracket Screw
124F	18199	" " Stop Screw
135D	17897	Bobbin Winder Tension Bracket Screw
145E	18192	Feed Connecting Rod Cap Screw, for 23672
145F	18200	Shuttle Race Screw
157F	17894	Clamp Lifting Arm Connection Roller and Screw Stud Bracket Screw
158E	17899	Bed Frame Cushion Screw, for 39910
159F	18199	Starting Lever Belt Shifter Screw
162D	17894	Clamp Lifting Arm Stop Bracket Screw
168E	18203	Table Belt Guide Set Screw, for 23536
179E	18217	Feed Wheel Tripping Lever Stop Screw
185H	18217	" " Driving Lever Screw, for 249562
190D	17881	Face Plate Screw (upper)
190D	18217	Feed Wheel Tripping Lever Spring Screw
190C	18218	Needle Bar Frame Pitman Adjusting Screw, for 23611
191C	18214	Clamp Arm Bracket Screw
196F	18214	" " Hinge Block Pin Set Screw, for 39540
196E	18217	Feed Wheel Driving Lever Pitman Cap Screw, for 249561
199D	18215	Clamp Lifting Arm Screw
200F	18202	Tension Releaser Set Screw, for 23519
200F	17894	Thread (upper) Cutting Lever Shaft Set Screw, for 39612

NUMERICAL LIST OF PARTS

No.	Plate	Name
203C	18217	Feed Wheel Tripping Lever Point Screw
203E	18200	Shuttle Race Plate Screw, for 249929
203F	18215	Thread (upper) Cutting Blade Connection Rod Spring Bracket Screw
206F	17894	Thread (upper) Cutting Lever Shaft Latch Spring Screw
207F	18214	Clamp Arm Bracket Guide (right) Screw
207E	18216	Feed Hand Ratchet Lever Pawl Point Screw for 39996
208E	17900	Thread Unwinder Thread Guide Rod Screw, for 225324
211E	17899	Bed Frame Hinge Connection Cap Screw, for 19398
217D	17881	Face Plate Screw (lower)
219F	18214	Clamp Arm Bracket Guide (left) Screw
219F	18215	Thread (upper) Cutting Blade Screw, for 40102
220D	18217	Feed Wheel Tripping Point Screw, for 40104
226J	18212	Oscillating Shaft Crank Slide Block Cap Screw, for 15171
228F	18213	Thread (lower) Cutting Blade Friction Plate Screw
229D	17894	Clamp Lifting Arm Connection Roller Cap Screw, for 1901
229D	18218	Needle Bar Frame Regulator Roller Cap Screw, for 1956
233D	18216	Clamp Carrier Regulator Stud Stop Screw, for 39543
233D	18217	Feed Wheel Retaining Clutch Spring Screw
237F	18215	Clamp Check Section and Cutting Plate Screw, for 40101
237F	18215	Thread (upper) Cutting Blade Connecting Rod Collar (front) Set Screw, for 40044
240D	18213	Thread (lower) Cutting Blade Screw
240D	18215	" (upper) Cutting Blade Connecting Rod Stop Screw
303C	18218	Needle Bar Frame Screw Center (lower)
375C	18192	Feed Connecting Rod Hinge Screw
389F	17897	Bobbin Winder Base Plate Screw
389F	17897	" " " Screw, for 27924
399D	18200	Shuttle Bobbin Case Position Plate Screw for 249949
402D	18214	Clamp Plate Support Screw
404D	18216	" Carrier Block Plate Screw, for 40006
404D	18214	" " Plate Screw (front)
404D	18213	Needle Plate Screw
413F	18202	Tension Screw Stud
418D	17897	Bobbin Winder Tension Screw Stud, for 5989

NUMERICAL LIST OF PARTS

No.	Plate	Name
435C	18212	Arm Shaft Flanged Bushing (back) Set Screw
435C	17894	Thread (lower) Cutting Blade Carrier Lever Stop Screw
435C	18218	Thread Take-up Lever Link Hinge Pin Set Screw
436C	18203	Bed Extension Plate Screw, for 40062
436C	18203	" " Shaft Set Screw, for 40064
436C	18203	Table Belt Guide Pulley Shaft Plug Screw for 23539
446C	18202	Thread Take-up Spring Regulator Set Screw
448C	18212	Feed Eccentric Set Screw, for 40021
448C	18192	" Rock Shaft Hinge Pin Set Screw
448C	18192	Oscillating Rock Shaft Hinge Pin Set Screw
448C	18203	Table Belt Guide Pulley Shaft Set Screw, for 14229 and 23537
452C	17897	Bobbin Winder Thread Eyelet Rod Set Screw, for 27920
453C	18216	Feed Hand Ratchet Lever Collar Set Screw for 23414
453C	18212	Needle Bar Frame Driving Bevel Pinion Set Screw, for 39967
457C	18216	Feed Wheel Shaft Oil Hole Plug Screw
457C	18212	Stop Cam Spring Stop Screw Set Screw
460C	18203	Belt Cover Hinge Block Pin Set Screw, for 23375
460C	18216	Feed Hand Ratchet Wheel Set Screw, for 39924
460C	18202	Tension Thread Guard Set Screw
460C	18202	Thread Retainer Stud Set Screw
462C	18212	Shuttle Driver Set Screw, for 23505
564C	18199	Starting Lever Screw Center, for 58384
591F	18200	Shuttle Tension Regulating Screw, for 40112
592E	18200	Shuttle Bobbin Case Latch Stop Screw, for 40112
625F	18214	Clamp Arm Adjusting Screw
641C	17894	Thread (upper) Cutting Lever Set Screw, for 40051
646F	18215	Thread (upper) Cutting Blade Connecting Rod Spring Collar Set Screw, for 40047
662D	18200	Shuttle Race Cap Screw, for 249949
673F	18218	Needle Bar Frame Screw Center (upper)
679C	18202	Tension Releaser Shaft Crank Ball Screw Stud
717C	18199	Starting Lever Adjusting Screw
717C	17894	Thread (upper) Cutting Lever Stop Screw
721D	18217	Feed Wheel Retaining Clutch Spring Stop Screw

NUMERICAL LIST OF PARTS

No.	Plate	Name
748E	17881	Arm Screw (back)
756D	18213	Clamp Carrier Guide (left) Screw (long), for 39720
766D	17894	Thread (upper) Cutting Lever Shaft Latch Hinge Screw
794E	18218	Needle Bar Connecting Link Adjusting Screw, for 23476
808F	18212	Arm Top Cover Screw
857H	18218	Needle Set Screw, for 40066
858C	18212	" Bar Crank Set Screw, for 23477
858C	18204	Table Belt Guide Pulley Shaft Oil Hole Plug Screw, for 39708
868E	17881	Arm Screw (front)
896E	18192	Crank Connecting Rod Cap Screw, for 24028
898C	18217	Feed Wheel Retaining Clutch Cap Screw
906C	18215	Thread (upper) Cutting Blade Shaft Crank Set Screw, for 40050
907E	18200	Shuttle Race Back Spring Screw, for 249929
908C	18192	Crank Connecting Rod Hinge Screw
913C	18199	Stop Cam Interlocking Rod Spring Regula- ting Thumb Screw
914F	18213	Clamp Carrier Slide Guide (left) Screw
914F	18213	" " " (right) Screw
966D	17894	Thread (lower) Cutting Lever Extension Screw
966D	17894	Thread (upper) Cutting Lever Shaft Bracket Screw
997E	18212	Stop Cam Spring Cover Screw
1021E	18218	Needle Bar Connecting Link Cap Screw
1035C	18212	Oscillating Shaft Crank Slide Block Screw, Stud, for 15171
1036C	18212	Thread Take-up Crank Position Screw, for 23477
1038C	18218	Needle Bar Frame Regulator Adjusting Screw
1042C	18218	Needle Bar Frame Pitman Hinge Screw
1049E	18216	Feed Hand Ratchet Lever Pawl Point Posi- tion Screw, for 39996
1064D	18204	Treadle Chain Guide Pulley Screw, for 39572
1065C	18212	Needle Bar Crank Position Screw, for 23477
1069D	18212	Arm Shaft Screw
1070C	18199	Stop Cam Interlocking Rod Guide Set Screw, for 40031
1144F	17894	Thread (upper) Cutting Lever Shaft Latch Spring Screw
1230F	18213	Clamp Carrier Guide (right) Screw

NUMERICAL LIST OF PARTS

No.	Plate	Name
1231F	18214	Clamp Arm Screw
1231F	18214	" Carrier Plate Screw (back)
1232C	18216	" " Regulator Hinge Screw
1235F	17881	Bed Oil Guard Screw
1235F	18213	Clamp Plate Screw
1236C	18217	Feed Wheel Driving Lever Regulating Stud
1237C	18217	" " Friction Ring Screw
1238F	18214	Guide Screw
1241E	17894	Thread (lower) Cutting Blade Carrier Lever Spring Screw Stud
1241E	18199	Thread (upper) Cutting Lever Spring Screw Stud
1244C	18218	Needle Bar Frame Cam and Bevel Gear Screw
1245C	18218	Needle Bar Frame Regulator Screw, for 39900
1248C	17894	Clamp Lifting Arm Stop Hinge Screw
1253C	18212	Oscillating Shaft Crank Set Screw, for 39692
1257C	18217	Feed Wheel Tripping Lever Hinge Screw
1258C	18212	Thread Take-up Crank Set Screw, for 23477
1294C	18214	Clamp Spring Bushing Position Stud
1297F	18215	" Check Screw
1341C	18218	Needle Bar Connecting Stud Set Screw, for 39601
1345D	18213	Clamp Carrier Guide (left) Screw (short) for 39720
1346D	18213	Clamp Carrier Slide Screw
1348E	18215	" Check Section and Cutting Plate Support Stud, for 40101
1349C	18212	Stop Cam Spring Stop Screw
1350C	18213	Thread (lower) Pull-off Finger Hinge Screw
1351C	17894	Thread (lower) Cutting Lever Ball Screw
1352C	17894	" (upper) Cutting Lever Lock Pin Screw Bushing
1508E	18199	Starting Lever Screw Center Nut, for 58384
1517D	18218	Needle Bar Frame Screw Center (upper) Nut
1518E	18192	Feed Connecting Rod Hinge Screw Nut
1518J	18199	Starting Lever Stop Screw Nut
1520J	18216	Clamp Carrier Regulator Roller and Screw Stud Nut, for 1960
1520J	17894	Clamp Lifting Arm Connection Hinge Screw Nut
1520J	18217	Feed Wheel Friction Ring Screw Nut
1520J	18199	Starting Lever Adjusting Screw Nut
1520J	18202	Tension Releaser Shaft Crank Ball Screw Stud Nut

No.	Plate	Name
1520J	17894	Thread (lower) Cutting Blade Carrier Lever Stop Screw Nut
1520J	17894	Thread (lower) Cutting Lever Ball Screw Nut
1520J	17894	Thread (upper) Cutting Lever Stop Screw Nut
1547J	18214	Clamp Arm Adjusting Screw Nut
1547J	18218	Needle Bar Frame Pitman Hinge Screw Nut
1550J	18214	Clamp Spring Bushing Position Stud Nut
1560C	18202	Tension Regulating Thumb Nut
1562J	17897	Bobbin Winder Tension Regulating Thumb Nut, for 5989
1589C	18218	Needle Bar Frame Regulator Adjusting Screw Thumb Nut
1608C	18218	Needle Bar Frame Screw Center (lower) Nut
1611E	17894	Clamp Lifting Arm Stop Hinge Screw Nut
1619E	18192	Crank Connecting Rod Hinge Screw Nut
1620J	17897	Bobbin Winder Frame Hinge Screw Nut, for 27923
1636E	18212	Oscillating Shaft Crank Slide Block Screw Stud Nut, for 39692
1638E	18199	Stop Cam Interlocking Rod Spring Regulating Thumb Screw Nut
1655C	18218	Needle Bar Frame Regulator Roller and Screw Stud Nut, for 1956
1659C	18214	Clamp Pressure Regulating Thumb Nut
1671C	18216	" Carrier Regulator Stud Nut, for 23535
1671C	17894	Thread (lower) Cutting Lever Extension Screw Nut
1901	17894	Clamp Lifting Arm Connection Roller and Screw Stud Nut with 229D and 12424
1956	18218	Needle Bar Frame Regulator Roller and Screw Stud with 229D, 1655C and 23389, for 23677
1960	18216	Clamp Carrier Regulator Roller and Screw Stud with 1520J, for 39543
2102	18202	Tension Disc
2103	18202	" Spring
2117C	18217	Feed Wheel Pin
2117C	17894	Thread (upper) Cutting Lever Pin
2256	18217	Feed Wheel Retaining Clutch Spring
2269	18212	Shuttle Driver Pin
2269	18202	Tension Releaser Shaft Crank Pin
2269	18215	Thread (upper) Cutting Blade Shaft Crank Pin, for 40102
2273	18215	Thread (upper) Cutting Blade Connecting Rod Collar (front) Pin
2455	17897	Bobbin Winder Tension Disc, for 5989

No.	Plate	Name
2523	18200	Shuttle Bobbin Case Position Finger Rivet, for 40112
2532	18200	Shuttle Race Back Position Pin, for 249949
2533	18200	Shuttle Race Back Spring, for 249949
2718R	18199	Treadle Extension Screw Washer, for 14376
2973	18200	Shuttle Bobbin Case Latch Lever, for 15141
2974	18200	Shuttle Bobbin Case Latch Lever Fulcrum Pin, for 15141
2975	18200	Shuttle Bobbin Case Latch Spring, for 40112
3012	18216	Feed Hand Ratchet Wheel Pin
4784	18212	Arm Shaft Oil Pad
4784	18192	Oscillating Rock Shaft Oil Pad, for 39654
4784	18218	Thread Take-up Lever Oil Pad, for 23478
5989	17897	Bobbin Winder Tension complete, Nos. 418D, 1562J, 10141 and two 2455, for 41336
7070	18217	Feed Wheel Driving Lever Regulating Stud Sleeve
7070	18218	Needle Bar Frame Regulator Adjusting Screw Sleeve
7071	18218	Needle Bar Frame Pitman Adjusting Screw Washer, for 23611
7071	18215	Thread (upper) Cutting Blade Connecting Rod Spring Bracket Screw Washer, for 23611
7326	18200	Shuttle Race Cap, for 249949
7335	18202	Thread Take-up Spring
8582	17881	Arm Dowell Pin
8582	18199	Starting Lever Bracket Dowel Pin
9540	18216	Stop Lever Spring
9780	18212	" Cam Spring Cover Position Pin, for 249543
10141	17897	Bobbin Winder Tension Spring, for 5989
10145	17897	" " " Thread Guide, for 41336
10875	18204	Wrench, for 1518 and 1520
11204	18218	Thread Take-up Lever Link Hinge Pin
11831	18204	Screw Driver (5 in. blade) (machine, large)
12166	18218	Thread Take-up Lever Hinge Pin, for 23525
12193	18212	Arm Side Cover
*12204	-----	Feed Connecting Rod Cap, for 23672
12357	18212	Arm Shaft Flanged Bushing (back)
12399	18202	Thread Retainer complete, Nos. 12400 to 12402
		Nos. 12400 to 12402, for 12399
12400	18202	Thread Retainer Sleeve
12401	18202	" " Spring
12402	18202	" " Stud

NUMERICAL LIST OF PARTS

No.	Plate	Name
12424	17894	Clamp Lifting Arm Connection Roller Cap Screw Washer, for 1901
12424	18212	Oscillating Shaft Crank Slide Block Cap Screw Washer, for 15171
12538	17894	Tension Releaser Arm Pin
13218	18216	Feed Hand Ratchet Lever Pawl Spring, for 39997
14010	17899	Bed Frame Hinge Plate Rivet, for 39910
14017	18217	Feed Wheel Friction Ring Screw Washer
14174	18199	Starting Lever Spring
14229	18204	Table Belt Guide Bracket with 448C, for 39709, and 39716 Nos. 14372 to 14375, for 14376
14372	17899	Treadle
14373	17899	" Extension
14374	17899	" Spring
14375	17899	" Stand
14376	17899	Treadle complete, Nos. 2718R, 14372 to 14375, 17881, 50581R and two wood screws 1-1/4 in., No. 12, F.H. (2)
15072	17897	Bobbin Winder Bobbin Position Pin, for 27538
15140	18200	Shuttle Bobbin Case Latch, for 15141
15141	18200	" " " Hinge, Nos. 2973, 2974 and 15140, for 40112
15170	18212	Oscillating Shaft Crank Slide Block, for 15171
15171	18212	Oscillating Shaft Crank Slide Block complete, Nos. 226J, 1035C, 12424 and 15170, for 39692
15278	18200	Shuttle Tension Spring, for 40112
16555	17899	Bed Frame Hinge Plate, for 39910
17881	17899	Treadle Shaft, for 14376
19226	17899	Bed Frame Hinge Connection, for 19398
19397	17899	" " " " Cap, for 19398
19398	17899	" " " " 19226 with 211E and 19397, for 39910
21643	18199	Starting Lever Belt Shifter complete, Nos. 66108 and 66109
21651	18199	Stop Cam Interlocking Rod Spring
21654	18204	Wrench, for 1508 and 1638
21699	18215	Thread (upper) Cutting Blade Position Pin, for 40049
23352	18212	Arm Shaft
23373	18203	Belt Cover (obsolete)
23375	18203	" " Hinge Block with 460C (obsolete)
23376	18203	Belt Cover Hinge Block Pin (obsolete)
23379	18214	Clamp Arm Hinge Block
23380	18214	" " " " Pin

NUMERICAL LIST OF PARTS

No.	Plate	Name
23384	18216	Clamp Carrier Connecting Rod
23389	18218	Needle Bar Frame Regulator Roller Cap Screw Washer, for 1956
23392	18213	Clamp Carrier Slide Guide (left)
23393	18213	" " " " (right)
23414	18216	Feed Hand Ratchet Lever Collar with two 453C
23418	18192	Feed Rock Shaft, for 23419
23419	18192	Feed Rock Shaft complete, Nos 23418 and 23420
23420	18192	Feed Rock Shaft Hinge Pin with 23421, for 23419
23421	18192	Feed Rock Shaft Hinge Pin Plug (leather) for 23420
23421	18192	Oscillating Rock Shaft Hinge Pin Oil Hole Plug (leather), for 23494
*23429	----	Feed Wheel Driving Lever Pitman Cap, for 249561
23431	18216	Feed Wheel Shaft
23432	18217	" " Tripping Point, for 40104
23433	18217	" " " Lever
23435	18217	" " " Spring
23476	18218	Needle Bar Connecting Link with 794E
23477	18212	" " Crank with 858C, 1036C, 1065C and 1258C
23478	18218	Needle Bar Frame with 4784
23491	18218	Needle Bar Frame Regulator, for 39900
23494	18192	Oscillating Rock Shaft Hinge Pin with 23421, for 39654
23500	18200	Shuttle Bobbin, for 40029
23505	18212	" Driver with 462C
23510	18199	Starting Lever Bracket
23511	18199	" " Rod
23515	18212	Stop Cam Spring (long)
23516	18212	" " " (short)
23518	18216	" Lever
23519	18202	Tension Releaser with 200F
23520	18202	" " Shaft
23523	18218	Thread Take-up Crank
23524	18218	" " Lever, for 23525
23525	18218	Thread Take-up Lever complete, Nos. 12166, 23524 and 23543
23526	18202	Thread Take-up Spring Regulator
23527	17899	Drip Pan with two wood screws 1/2 in., No. 5, R.H.B.
23535	18204	Wrench, for 1671, for regulating length of tack

NUMERICAL LIST OF PARTS

No.	Plate	Name
		Nos.23536 to 23539,for 23540
23536	18203	Table Belt Guide with two 168E also,for 39709 and 39716
23537	18203	Table Belt Guide Bracket with 448C (obsolete)
23538	18204	Table Belt Guide Pulley also,for 39709 and 39716
23539	18203	Table Belt Guide Pulley Shaft with 436C (obsolete)
23540	18203	Table Belt Guide (double) complete,Nos. 23537,23539 two each 23536,23538 and four wood screws 1-1/4 in.,No.12, R.H.B.,(obsolete)
23543	18218	Thread Take-up Lever Link,for 23525
23551	17899	Treadle Chain Screw Eye (2) Nos.23552 to 23554,for 23555
23552	18217	Feed Wheel Friction Ring Section (long)
23553	18217	" " " " " (short)
23554	18217	" " " " " Spring
23555	18217	Feed Wheel Friction Ring complete,Nos. 23552 to 23554
23573	18214	Clamp Plate Support
23574	18214	" Post
23587	18217	Feed Wheel Tripping Lever Point
23606	18215	Thread (upper) Cutting Blade Connecting Rod Spring
23609	18218	Needle Bar Frame Pitman (regulator end), for 23611
23610	18218	Needle Bar Frame Pitman (hinge screw end),for 23611
23611	18218	Needle Bar Frame Pitman (adjustable) complete,Nos.23609,23610,two each 190C and 7071
23667	18218	Needle Bar Frame Regulator Stud
23669	18202	Tension Thread Guard
23671	18212	Arm Top Cover
23672	18192	Feed Connecting Rod with 12204 and two 145E
23677	18218	Needle Bar Frame Regulator with 1956
23693	18214	Clamp Spring Bushing
24028	18192	Crank Connecting Rod with 24085 and two 896E
24047	18212	Oscillating Shaft Bushing (front)
*24081	-----	Arm Shaft Bushing (front),for 40098
*24085	-----	Crank Connecting Rod Cap,for 24028
24106	17899	Bed Frame Cushion (felt),for 39910
26026	18204	Screw Driver (machine,small) Nos.120088 and 120090
26485	18204	Screw Driver (shuttle,tension) Nos. 120092 and 120094

NUMERICAL LIST OF PARTS

No.	Plate	Name
27302	17897	Bobbin Winder Frame,for 27923
27538	17897	" " Spindle 27849 with 15072, 27850 and 41828,for 27923
27737	17900	Thread Unwinder Thread Cone (wood)
*27849	-----	Bobbin Winder Spindle,for 27538
*27850	-----	" " " Collar,for 27538
27914	17897	" " Base 27916 and two 23084,for 27923
27915	17897	Bobbin Winder Base Plate,for 27924
27916	17897	" " Brake (leather),for 27914 Nos.27917 to 27919,for 27923
27917	17897	Bobbin Winder Frame Spring
27918	17897	" " Pulley
27919	17897	" " Stop Latch
27920	17897	" " Tension Bracket with 452C, for 41336
27921	17897	Bobbin Winder Tension Bracket with Rod complete,Nos.27922 and 41336,for 27924
27922	17897	Bobbin Winder Thread Eyelet Rod,for 27921
27923	17897	Bobbin Winder,Nos.35D,1620J,27302,27538 27914,27917,to 27919 and 50356D,for 27924
27924	17897	Bobbin Winder (swinging automatic,right hand) complete,Nos.27915,27921,27923 and two 389F
28084	17897	Bobbin Winder Brake Rivet,for 27914
39504	18217	Feed Wheel Retaining Clutch Cap Screw Washer
39514	18214	Clamp Spring
39523	18216	Feed Hand Ratchet Lever Pawl Point,for 39996
39532	18216	Clamp Carrier Regulator Stud Sleeve
39538	17881	Bed Oil Guard
39539	18215	Clamp Arm
39540	18214	" " Bracket with 196F
39541	18214	" " " Screw Washer
39541	17894	" Lifting Arm Connection Roller and Screw Stud Bracket Screw Washer
39543	18216	Clamp Carrier Regulator with 233D and 1960
39544	17881	Clamp Carrier Regulator Slide
39569	17899	Treadle Chain 45 in.long with 39575 and 39576
39570	18204	Treadle Chain Guide Bracket,for 39572
39571	18204	" " " Pulley,for 39572
39572	18204	Treadle Chain Guide complete,Nos.39570 two each 1064D,39571 and wood screws 1-1/4 in.,No.12,R.H.B.
39575	17899	Treadle Chain Hook (lower),for 39569

No.	Plate	Name
39576	17899	Treadle Chain Hook (upper), for 39569
39580	18199	Stop Cam Interlocking Rod
39582	18203	Bed Cover Bracket (obsolete)
39591	18213	Clamp Carrier Guide (left), for 39720
39595	18217	Feed Wheel Retaining Clutch Cap
39596	18217	" " " " Stud
39601	18218	Needle Bar Connecting Stud with 1341C
39611	18215	Thread (upper) Cutting Blade Connecting Rod Spring Bracket
39612	17894	Thread (upper) Cutting Lever Shaft Crank with two each 200F and 40059
39623	18200	Shuttle Bobbin Case Position Finger, for 40112
39628	18212	Stop Cam with 39629 and 202330
39629	18212	" " Pin, for 39628
39637	18212	" " Spring Stop Block
39638	18212	" " " " Screw Block
39645	18213	Clamp Carrier Guide (right)
39646	18213	Thread (lower) Cutting Blade Friction Plate
39653	18192	Oscillating Rock Shaft, for 39654
39654	18192	Oscillating Rock Shaft complete, Nos. 4784 23494 and 39653
39655	18212	Oscillating Shaft
39656	18212	" " Bushing (back)
39657	18212	" " Crank, for 39692
39692	18212	Oscillating Shaft Crank complete, Nos. 1636E, 15171, 39657 and two 1253C
39708	18204	Table Belt Guide Pulley Shaft with 858C and 130901, for 39709 and 39716
39709	18204	Table Belt Guide (single, right) complete Nos. 14229, 23536, 23538, 39708 and four wood screws 1-1/4 in., No. 12, R. H. B.
39716	18204	Table Belt Guide (single, left) complete, Nos. 14229, 23536, 23538, 39708 and four woods screws 1-1/4 in., No. 12, R. H. B.
39719	18213	Clamp Carrier
39720	18213	" " Slide with 1345D, 39591 and two 756D
39724	18215	Clamp Lifting Arm
39728	18215	Thread (upper) Clamping Blade, for 40102
39729	18215	" " Cutting Blade, for 40102
39736	17894	" (lower) Cutting Blade Carrier Lever Spring
39900	18218	Needle Bar Frame Regulator 23491 with 1245C Nos. 39910 to 39912, for 39913
39910	17899	Bed Frame with two each 16555, 19398, four each 158E, 24106, six 14010 and four wood screws 1-1/4 in., No. 12

No.	Plate	Name
39911	17899	Splash Guard with 201655J
39912	17899	" " Hinge
39913	17899	Bed Frame and Splash Guard complete, Nos. 39910, 39911, two 39912 and eight 200574E
39921	17894	Thread (lower) Cutting Lever Extension
39924	18216	Feed Hand Ratchet Wheel with 460C
39927	18212	Pulley 40024 with 40025
39966	18218	Needle Bar Frame Cam and Bevel Gear
39967	18212	" " " " Driving Bevel Pinion with two 453C
39969	18200	Shuttle Race Back, for 249949
39988	18199	Stop Cam Interlocking Rod Guide Washer (rawhide)
39994	18216	Feed Hand Ratchet Lever, for 39997
39995	18216	" " " " Pawl Body, for 39996
39996	18216	Feed Hand Ratchet Lever Pawl complete, Nos. 207E, 39523, 39995 and two 1049E, for 39997
39997	18216	Feed Hand Ratchet Lever complete, Nos. 90D 13218, 39994 and 39996
40003	18214	Clamp Arm Bracket Guide (left)
40004	18214	" " " " (right)
40006	18216	" Carrier Block with 40007 and four 404D
40007	18216	Clamp Carrier Block Plate, for 40006
40015	17894	" Lifting Arm Connection
40016	17894	" " " " Roller and Screw Stud Bracket
40017	17894	Clamp Lifting Arm Stop
40018	17894	" " " " Bracket
40019	17894	" " " " Pitman
40020	18214	" Plate
40021	18212	Feed Eccentric with 448C
40024	18212	Pulley (tight), for 39927
40025	18212	" " Pin, for 39927
40028	18200	Shuttle Body, for 40029
40029	18200	" 1-11/16 in. diam., Nos. 23500, 40112, and 40028
40030	18199	Starting Lever
40031	18199	Stop Cam Interlocking Rod Guide with 1070C
40033	17894	Tension Releaser Arm with 50128E
40034	18202	" " Shaft Crank
40035	18213	Thread (lower) Cutting Blade
40036	18213	" " " " Carrier with 40038
40037	17894	Thread (lower) Cutting Blade Carrier Lever

NUMERICAL LIST OF PARTS

No.	Plate	Name
40038	18213	Thread (lower) Cutting Blade Carrier Stud, for 40036
40040	17894	Thread (lower) Cutting Lever
40044	18215	" (upper) Cutting Blade Connecting Rod Collar (front) with 237F
40045	18215	Thread (upper) Cutting Blade Connecting Rod Collar (front) Washer (rawhide)
40047	18215	Thread (upper) Cutting Blade Connecting Rod Spring Collar with 646F
40049	18215	Thread (upper) Cutting Blade Shaft with 21699, for 40102
40050	18215	Thread (upper) Cutting Blade Shaft Crank with 906C, for 40102
40051	17894	Thread (upper) Cutting Lever with 641C
40052	17894	" " " " Lock Pin
40053	17894	" " " " " "
		Spring
40054	17894	Thread (upper) Cutting Lever Shaft
40057	17894	" " " " " Latch
40058	17894	" " " " " "
		Spring
40059	17894	Thread (upper) Cutting Lever Shaft Latch Stop Pin, for 39612
40060	17894	Thread (upper) Cutting Lever Spring
		Nos. 40062 to 40064, for 40065
40062	18203	Bed Extension with 436C
40063	18203	" " Shaft
40064	18203	" " Stand with 436C
40065	18203	Bed Extension complete, Nos. 40062 to 40064 and three wood screws 1-1/4 in. No. 12, R. H. B.
40066	18218	Needle Bar with 857H
40067	17894	Thread (upper) Cutting Lever Shaft Bracket
*40098	-----	Arm with 24081
*40099	-----	Bed
40100	18214	Clamp Carrier Plate
40101	18215	" Check with 40103, two each 237F and 1348E, for 40102
40102	18215	Clamp Check complete, Nos. 219F, 2269, 39728 39729, 40049, 40050 and 40101
40103	18215	Clamp Check Section and Cutting Plate, for 40101
40104	18217	Feed Wheel with 23432 and two 220D, for making 1 in. tack
40105	18218	Needle Bar Frame Connecting Link
40106	18213	" Plate
40107	18215	Thread (upper) Cutting Blade Connecting Rod
40108	18214	Guide

NUMERICAL LIST OF PARTS

No.	Plate	Name
40112	18200	Shuttle Bobbin Case complete, Nos. 591F, 592E, 2523, 2975, 15141, 15278 and 39623, for 40029
41336	17897	Bobbin Winder Tension Bracket complete, Nos. 5989, 10145 and 27920, for 27921
41401	18204	Machine Rest Pin (wood)
41828	17897	Bobbin Winder Spindle Collar Pin, for 27538
50088C	18217	Feed Wheel Driving Lever Pitman Ball Joint Screw, for 249561
50128E	17894	Tension Releaser Arm Set Screw, for 40053
50356D	17897	Bobbin Winder Frame Hinge Screw, for 27923
50581R	17899	Treadle Extension Screw, for 14376
51224B	18212	Arm Side Cover Thumb Screw
58384	18199	Starting Lever Screw Center 564C with 1508E
60913	17900	Thread Unwinder Spool Weight with 60914
60914	17900	" " " " Center Pin, for 60913
*66108	-----	Starting Lever Belt Shifter Fork, for 21643
*66109	-----	Starting Lever Belt Shifter Shank, for 21643
*120088	-----	Screw Driver Blade, for 26026
*120090	-----	" " Handle, for 26026
*120092	-----	" " Blade, for 26485
*120094	-----	" " Handle, for 26485
120346	18204	Oiler (copper plated) with 120347
120347	18204	" Spout 8-1/2 in. long, for 120346
130901	18204	Table Belt Guide Pulley Shaft Oil Wick, for 39708
150203	18900	Thread Unwinder Spool Rest Cushion (felt) for 225258
200383C	17900	Thread Unwinder Spool Rest Rod Set Screw for 202490
200574E	17899	Splash Guard Hinge Screw, for 39913
200584D	18212	Pulley (loose) Grease Retaining Screw, for 249538
201018C	17900	Thread Unwinder Spool Rest Set Screw, for 225257
201655J	17899	Splash Guard Locking Screw Wing Nut, for 39911
201696J	17900	Thread Unwinder Thread Guide Lock Nut, for 225258
201724A	18217	Feed Wheel Driving Lever Regulating Stud Thumb Nut, for 249560
201897	18217	Feed Wheel Clutch Roller, for 249562
202330	18212	Stop Cam Oil Packing (wick), for 39628
202490	17900	Thread Unwinder Spool Stand with 200383C for 225258

No.	Plate	Name
225257	17900	Thread Unwinder Spool Rest (for two spools) (flat) with 201018C, for 225258
225258	17900	Thread Unwinder (for two spools) complete, Nos. 201696J, 202490, 225257, 225324, 225386, 225388, two each 150203, 225391 and three wood screws 7/8 in. No. 12
225322	17900	Thread Unwinder Thread Guide Rod Washer, for 225324
225324	17900	Thread Unwinder Thread Guide Rod with 208E and 225322, for 225258
225326	17900	Thread Unwinder Thread Guide Position Cup, for 225258
225377	17900	Thread Unwinder Spool Wire, for small spools
225388	17900	Thread Unwinder Spool Rest Rod, for 225258
225390	17900	Thread Unwinder Thread Cone Holder
225391	17900	" " " Guide, for 225258
*249538	-----	Pulley (loose) with 200584D, for 249540
249539	18212	" " Bushing, for 249540
249540	18212	Pulley (loose, ball bearing) complete, Nos. 249538, 249539 and 249891
249541	18212	Pulley (tight) Counterbalance, for 249543
249542	18212	" " " Rivet, for 249543
249543	18212	Stop Cam Spring Cover with 249541 two each 9780 and 249542
249546	18200	Shuttle Bobbin Case Position Plate, for 249949 Nos. 249549 to 249551, for 249562
249549	18217	Feed Wheel Clutch Roller Carrier
249550	18217	" " " " " Oiling Felt
249551	18217	Feed Wheel Driving Lever
249555	18217	" " Clutch Disc, for 249562 Nos. 249556 to 249559, for 249560
249556	18217	Feed Wheel Clutch Disc Locking Plate, with 350415C
249557	18217	Feed Wheel Driving Lever Plate
249558	18217	" " " " Washer (felt)
249559	18217	" " Retaining Clutch
249560	-----	Feed Wheel Clutch (positive) complete, for machines equipped with spring clutch, Nos. 52C, 201724A, 249556 to 249559, 249561, 249562, 249820 and Form 2461W
249561	18217	Feed Wheel Driving Lever Pitman with 23429, 50088C and two 196E, for 249560

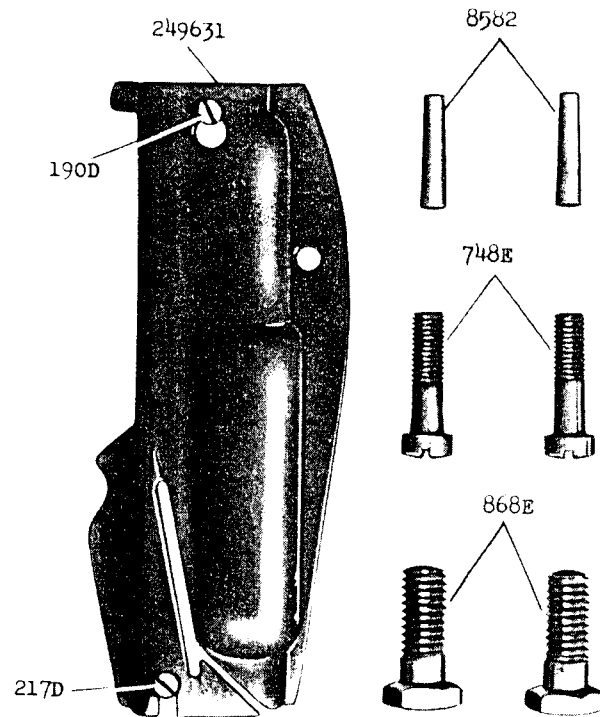
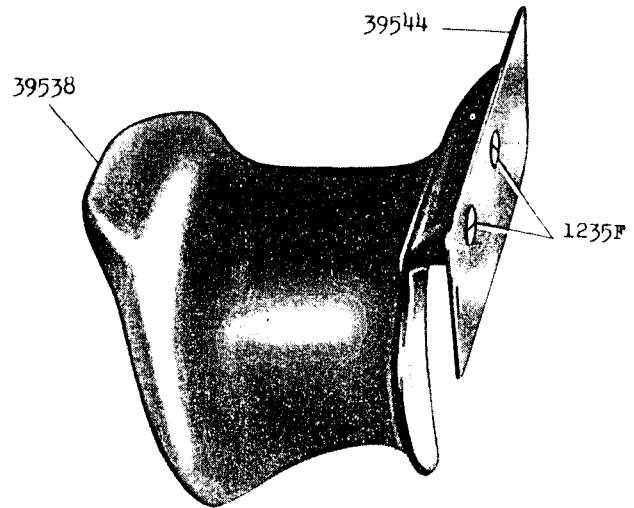
No.	Plate	Name
249562	18217	Feed Wheel Clutch Disc 249555 with 249549 to 249551, three each 185H, 201897, 255096 and 255097, for 249560
249631	17881	Face Plate
249820	18204	Wrench, for 249560 and 350415C
249845	18213	Thread (lower) Pull-off Finger
249891	18212	Pulley (loose) Ball Bearing, for 249540
249924	18200	Shuttle Race, for 249949 Nos. 249926 to 249928, for 249929
249926	18200	Shuttle Race Plate
249927	18200	" " Position Pin
249928	18200	" " Oil Packing (felt)
249929	18200	Shuttle Race complete, Nos. 907E, 2533, 7326 39969, 249546, 249924, 249926, two each 399D, 662D, 2532, 249927, 249928 and three 203E
255096	18217	Feed Wheel Clutch Roller Spring, for 249562
255097	18217	Feed Wheel Clutch Roller Spring Guide, for 249562
350076C	18216	Clamp Carrier Regulator Stud (to regulate length of tack)
350415C	18217	Feed Wheel Clutch Disc Locking Plate Screw, for 249556

Genuine Singer Needles should be used
in Singer Machines.
These Needles and their Containers
are marked with the
Company's Trade Mark "SIMANCO." 1

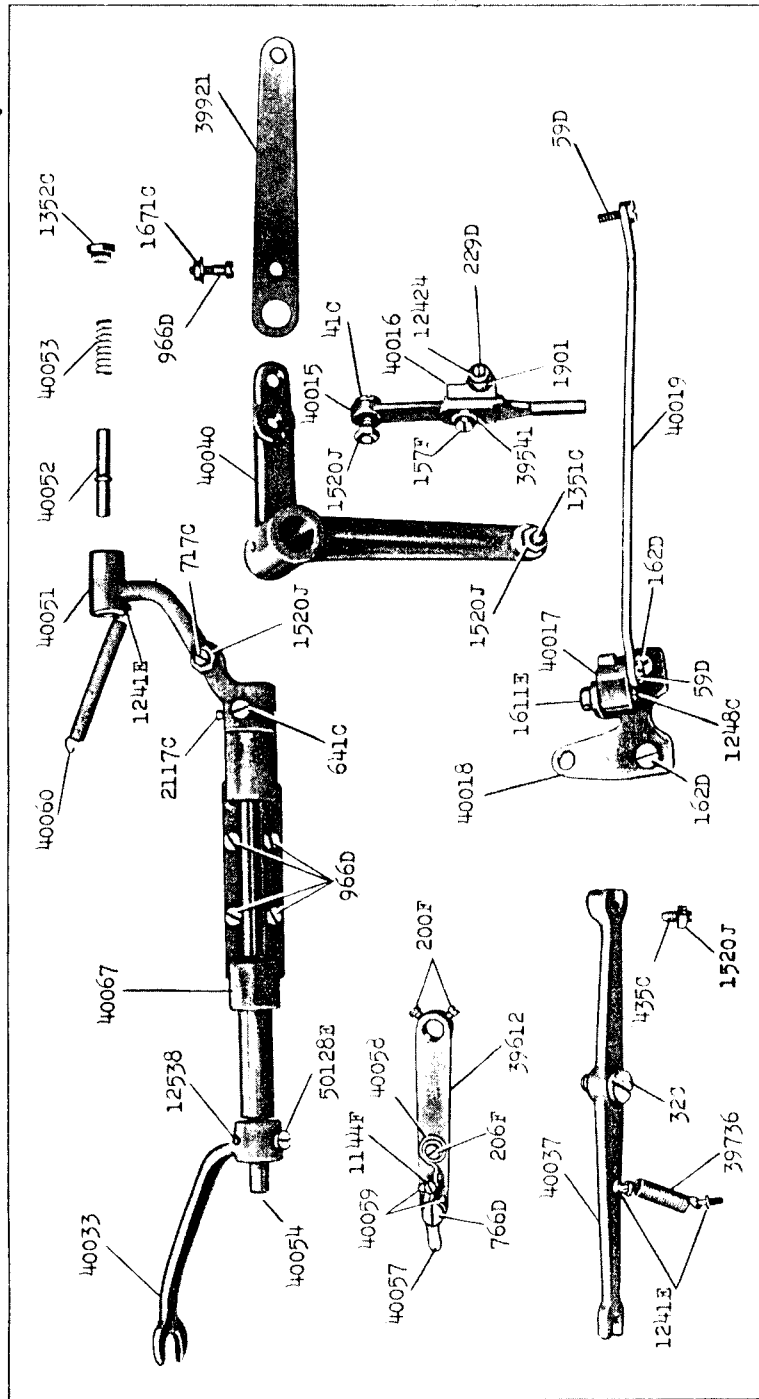
Needles in Containers marked
"For Singer Machines"
are not Singer made needles. 2

ILLUSTRATIONS
OF
PARTS

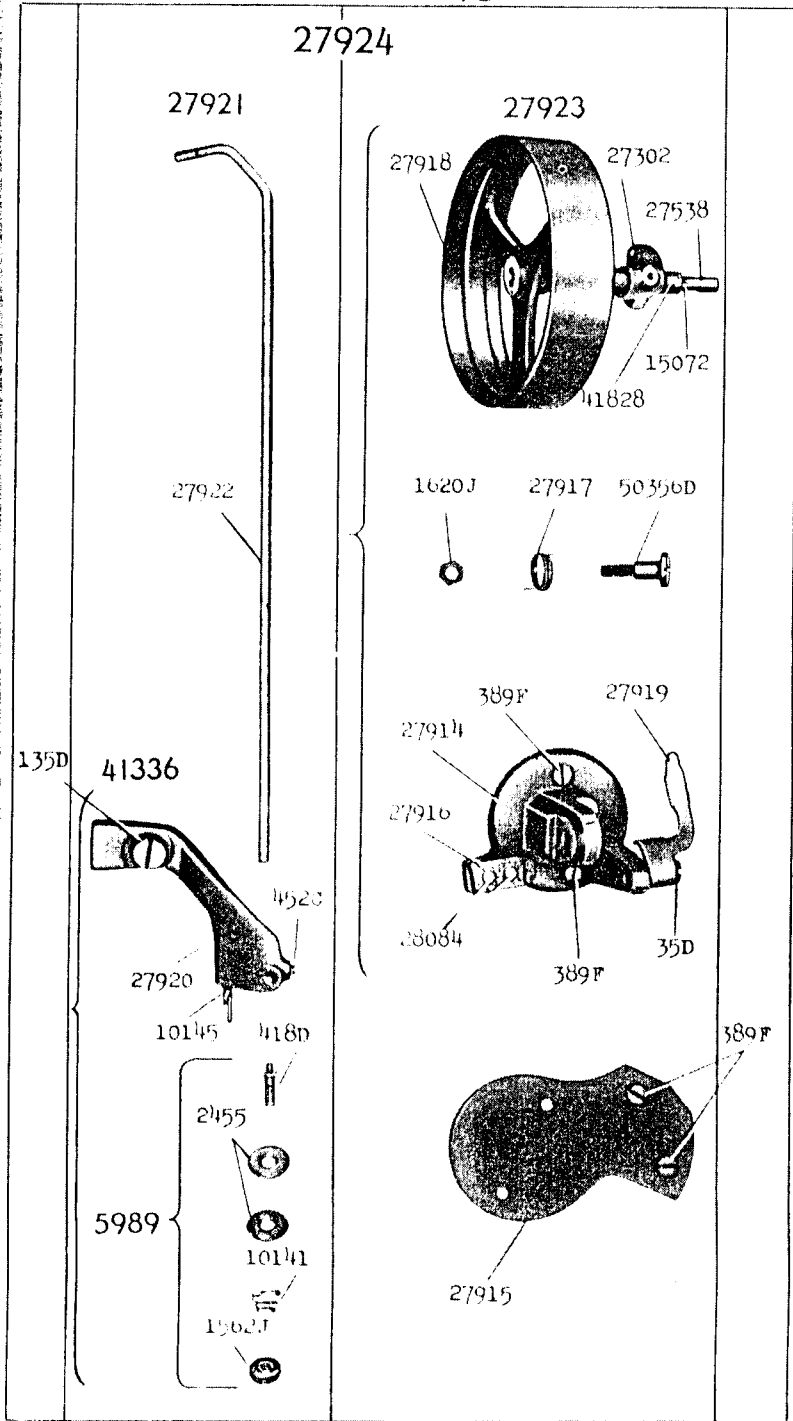
1788I - 1/2



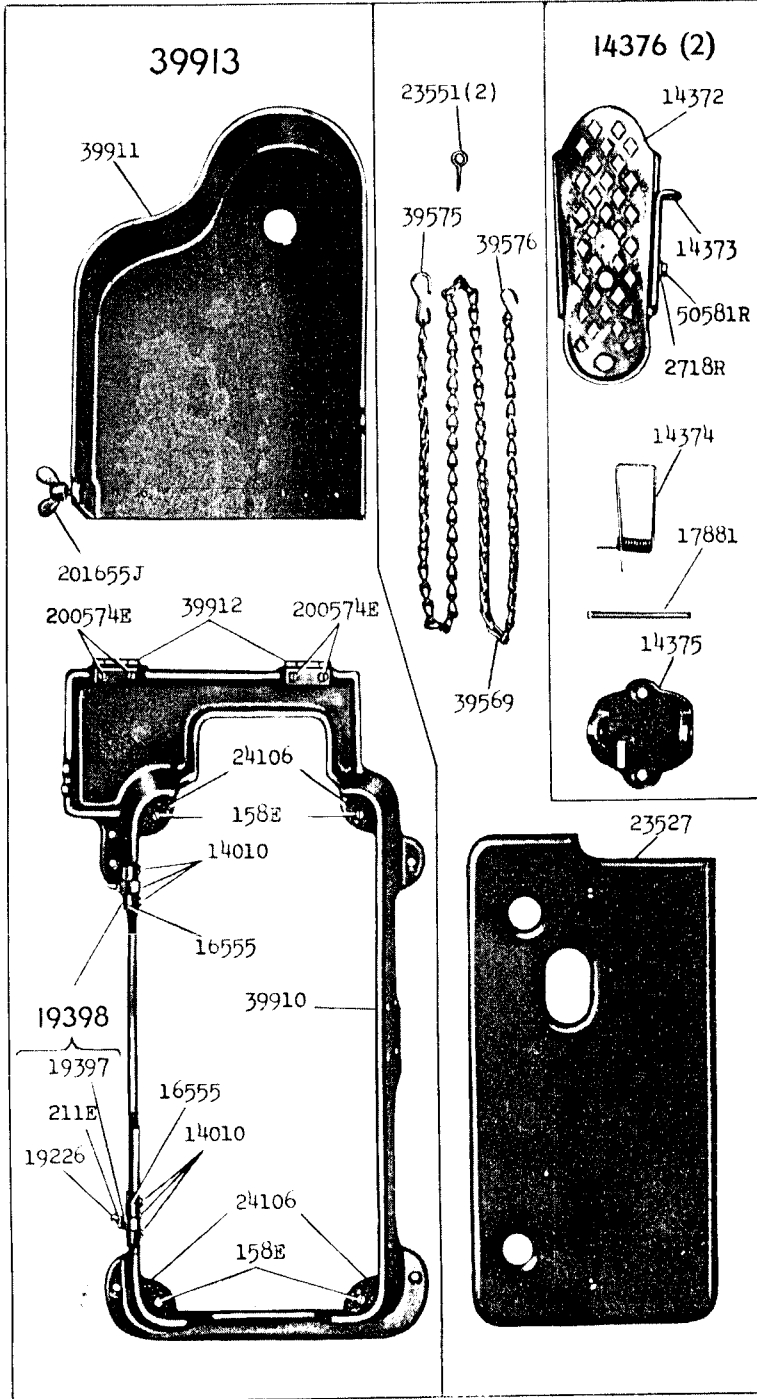
17894 - 1/3



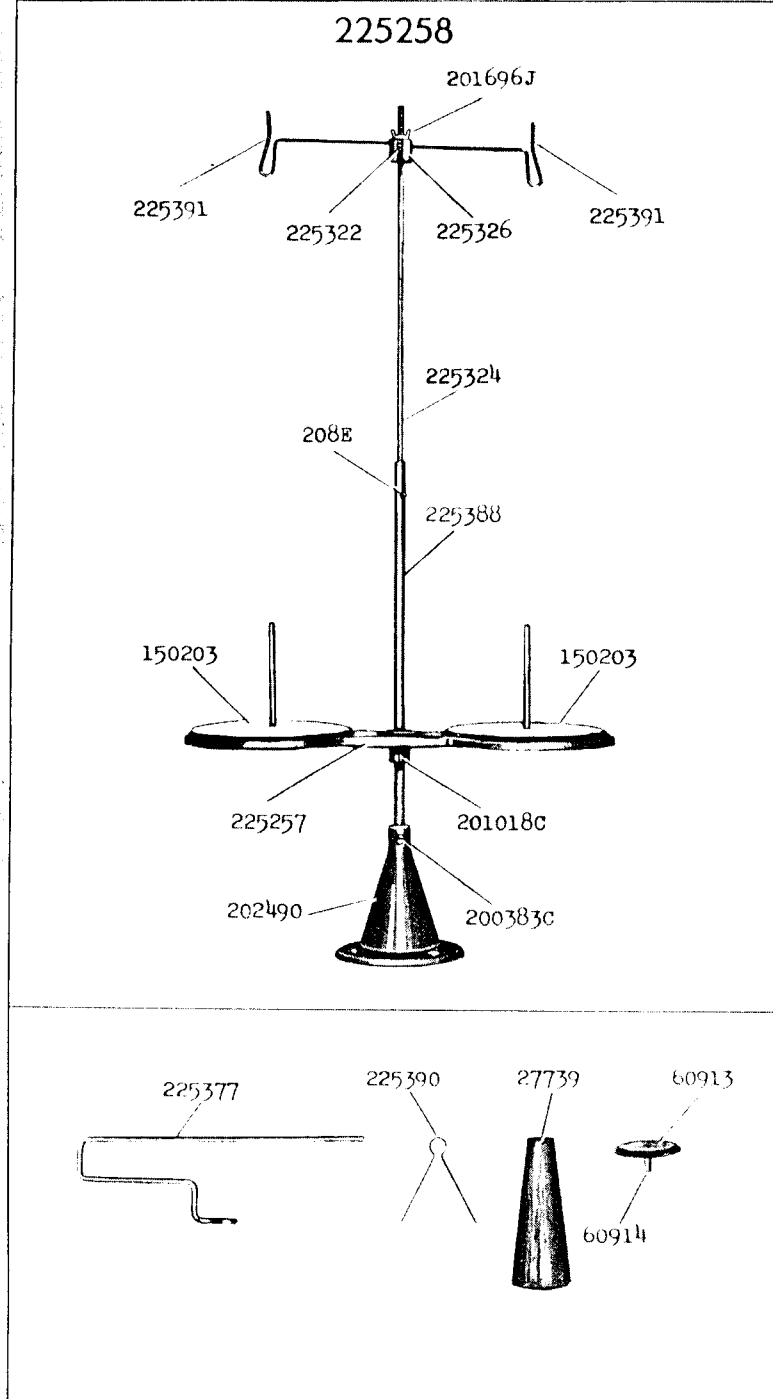
17897 - 1/3



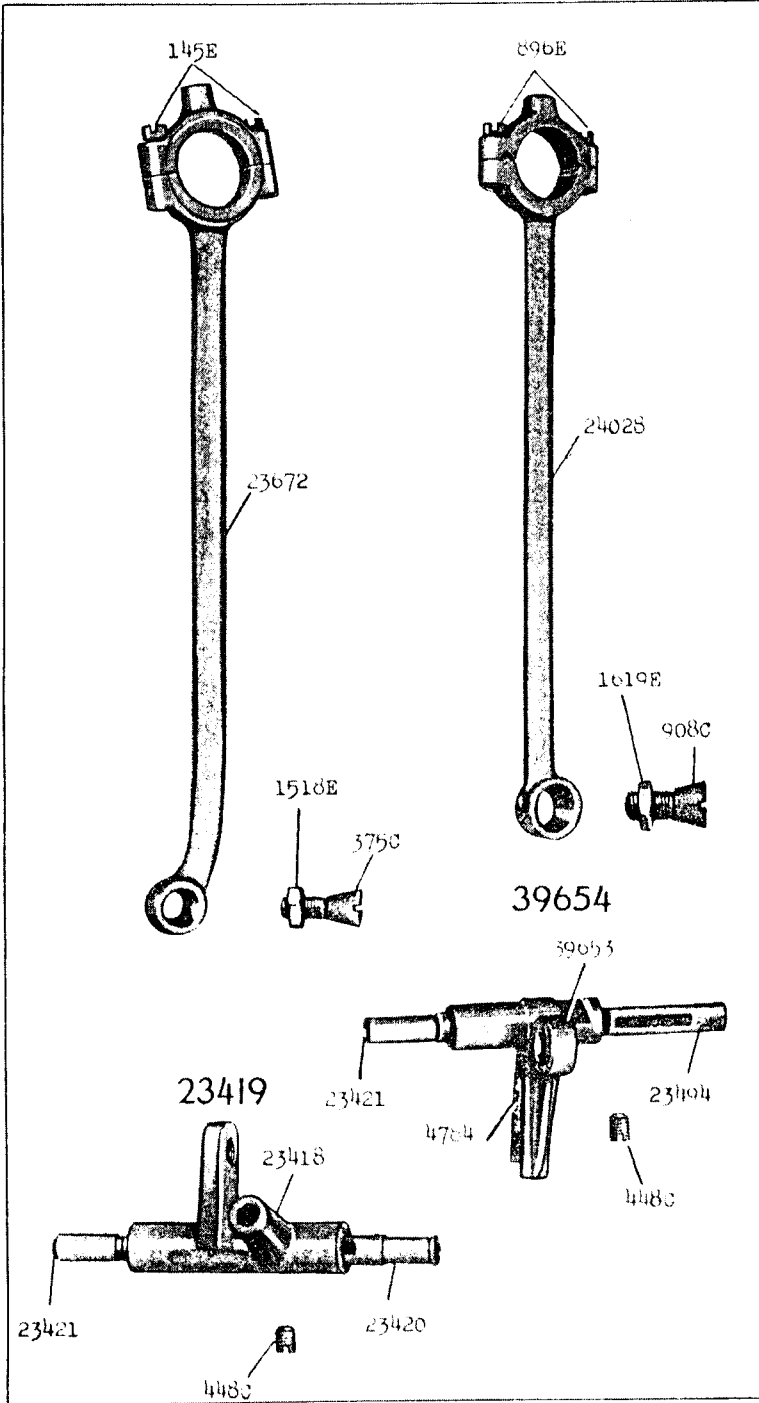
17899 - 1/6



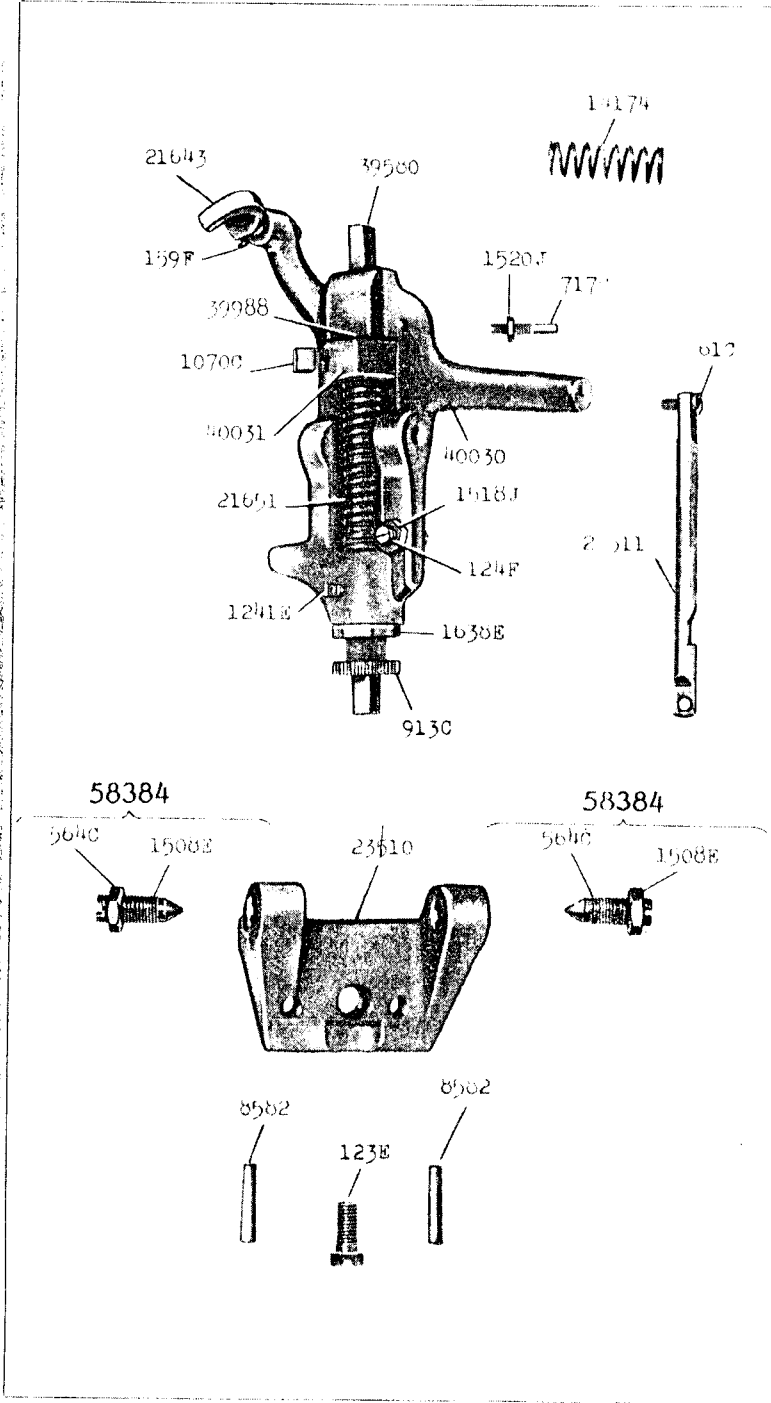
17900 - 1/6

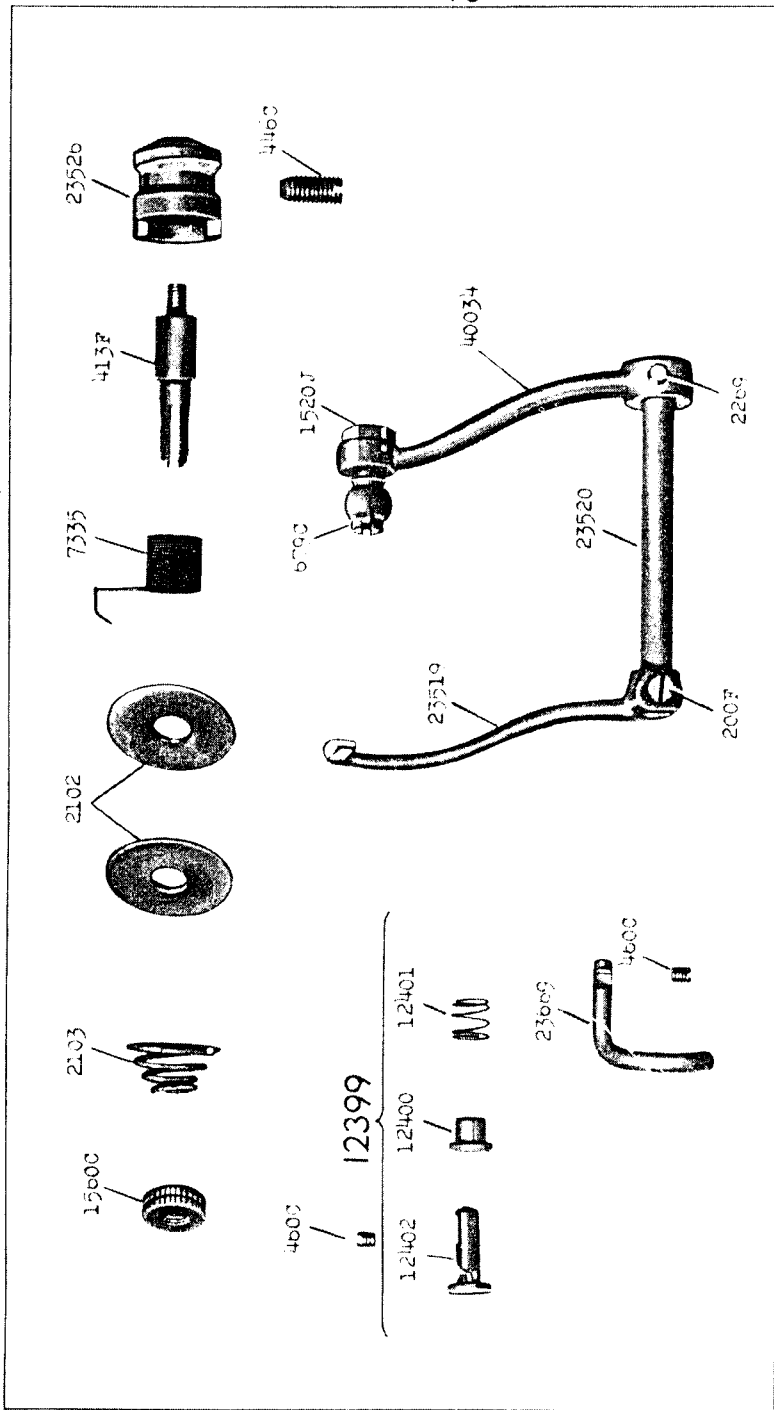
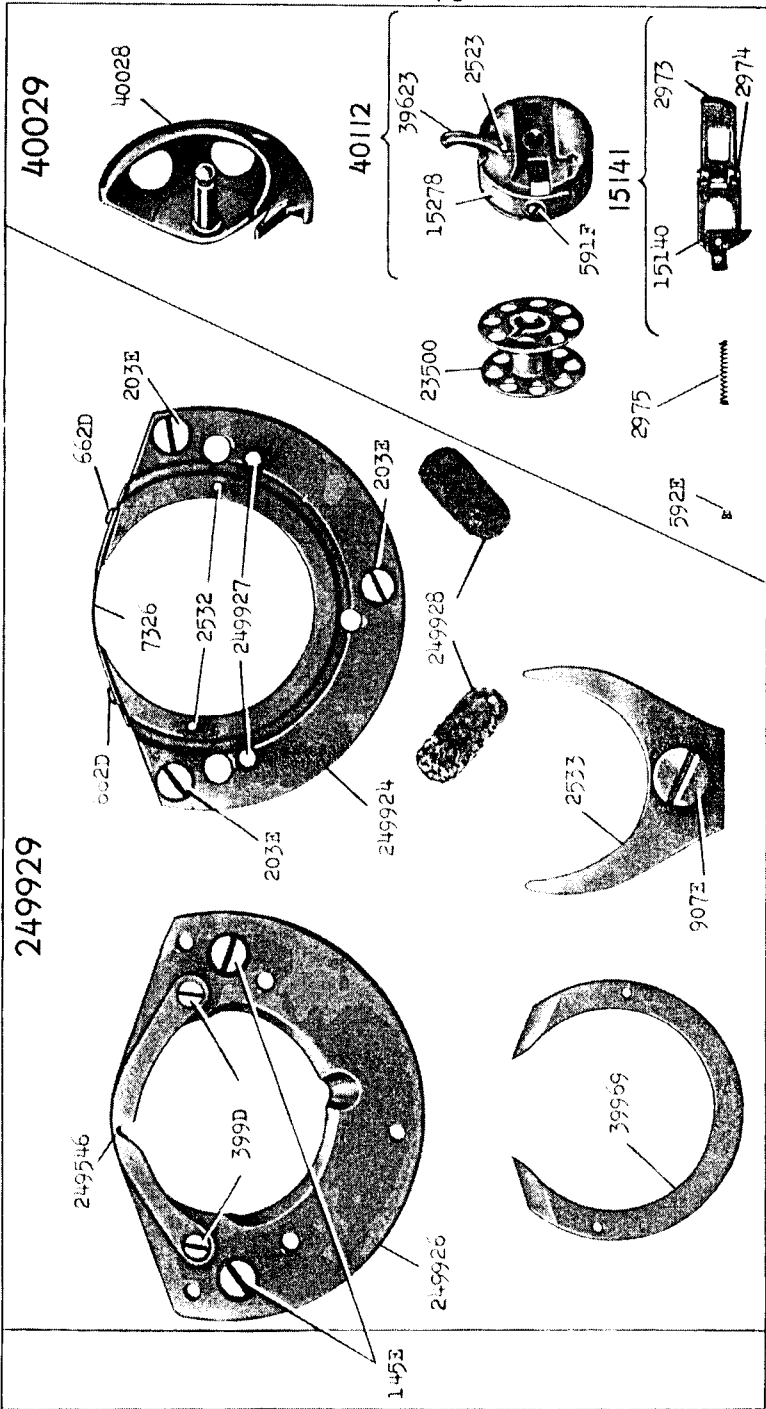


18192 - 1/2

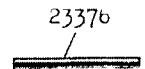
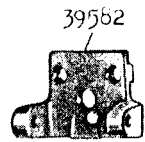
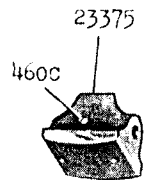
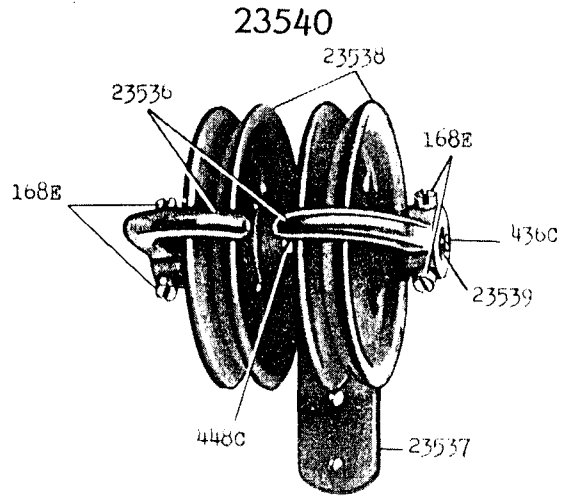


18199 - 1/3

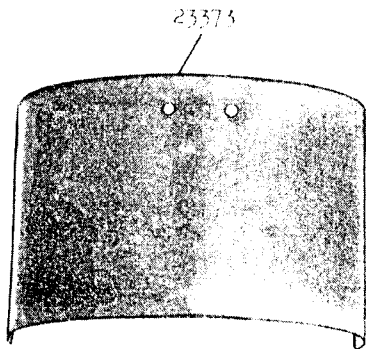
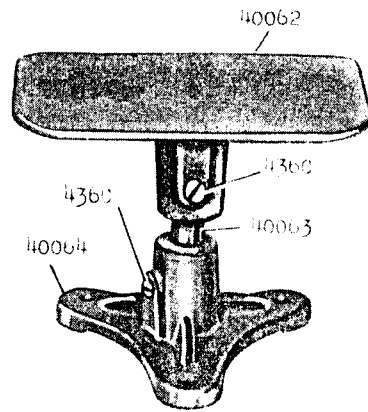




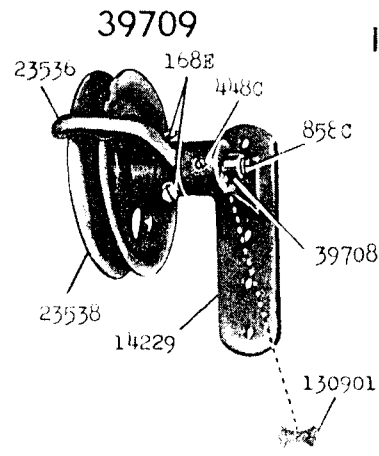
18203 - 1/3



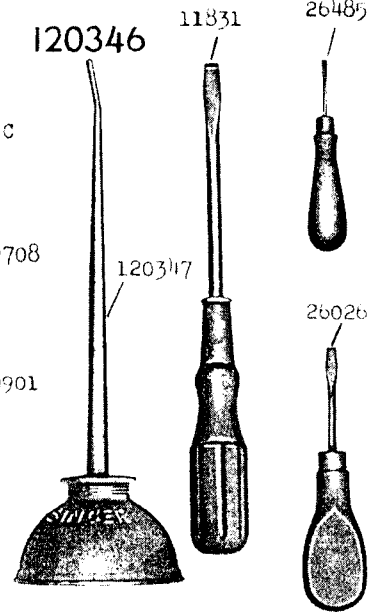
40065



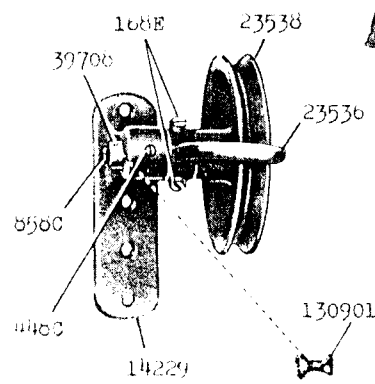
18204 - 1/4



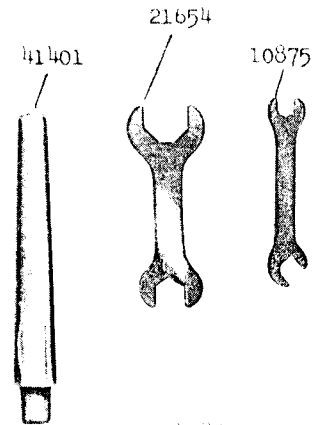
120346



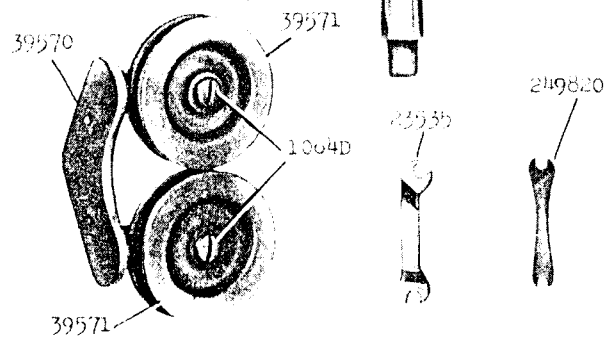
39716



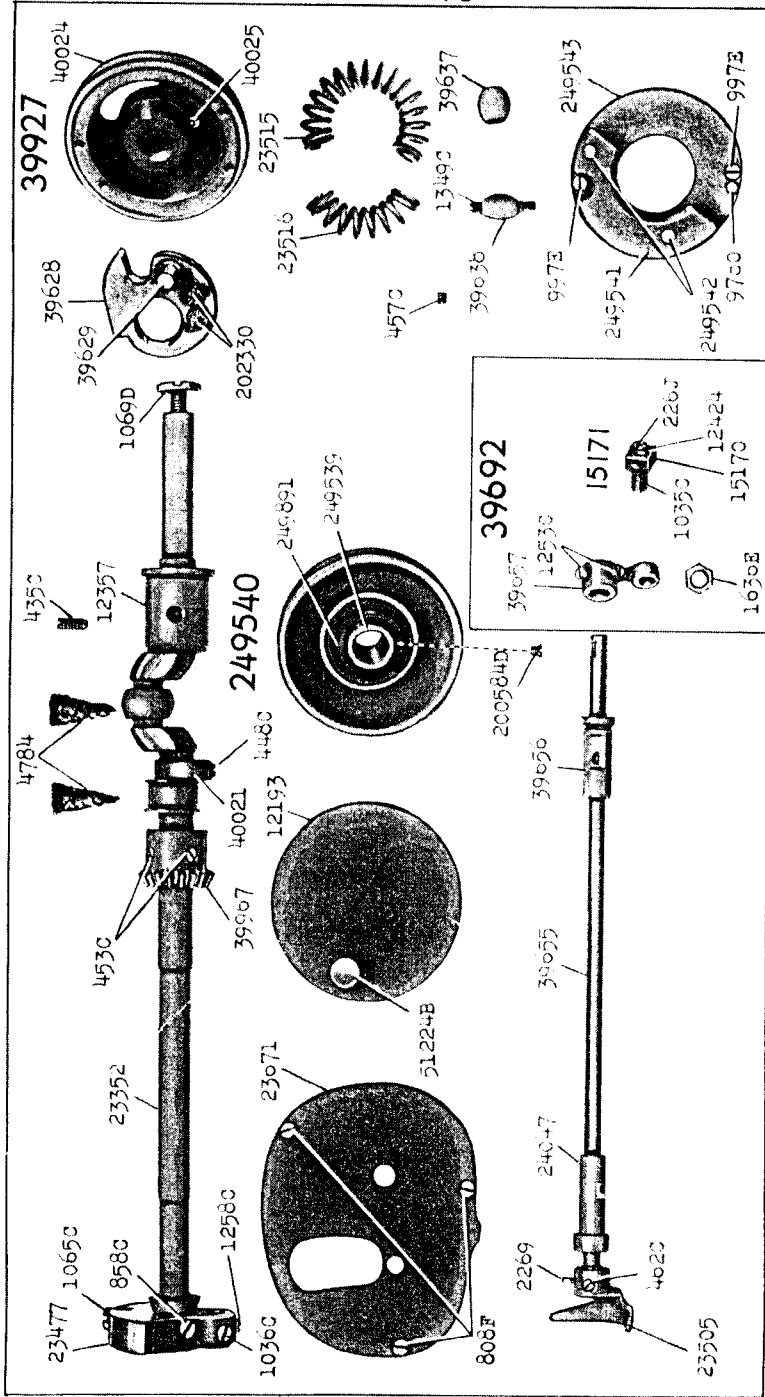
41401



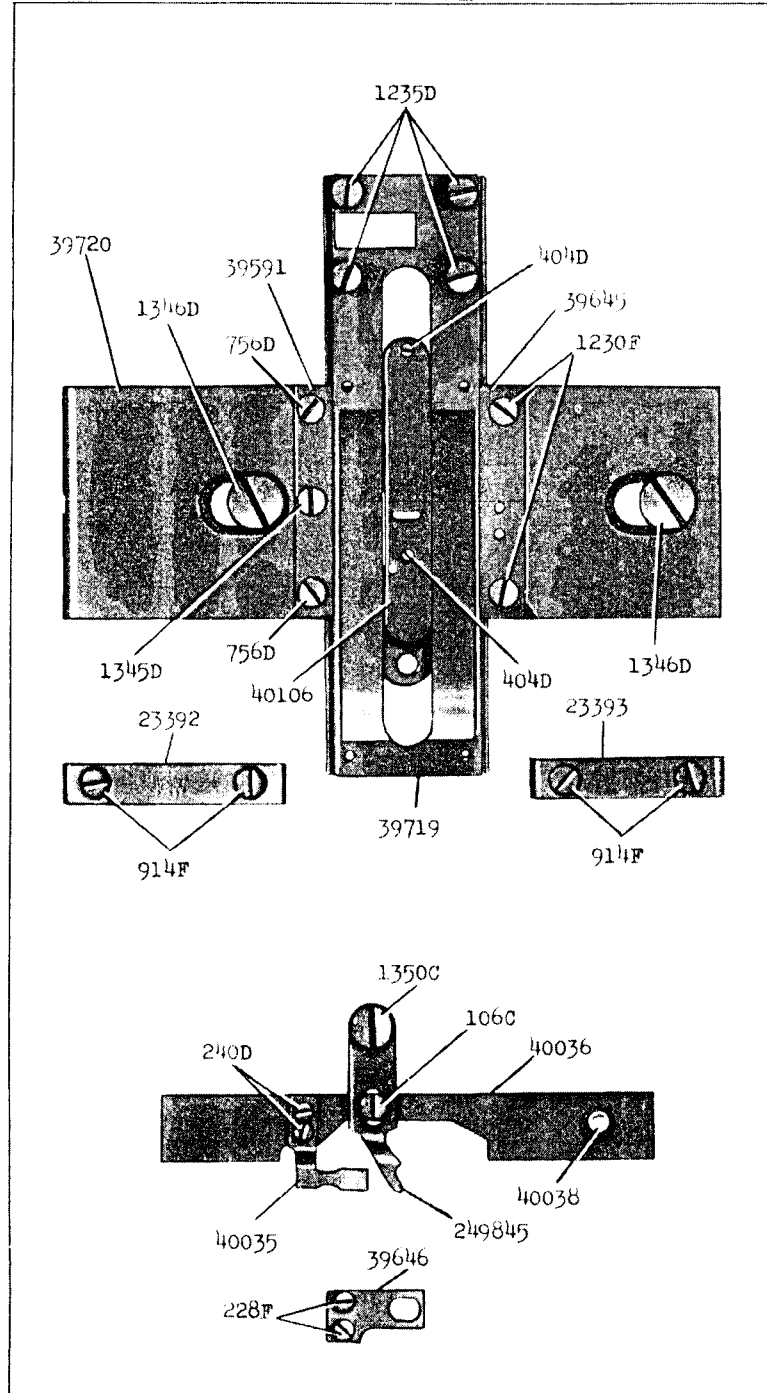
39572 (2)



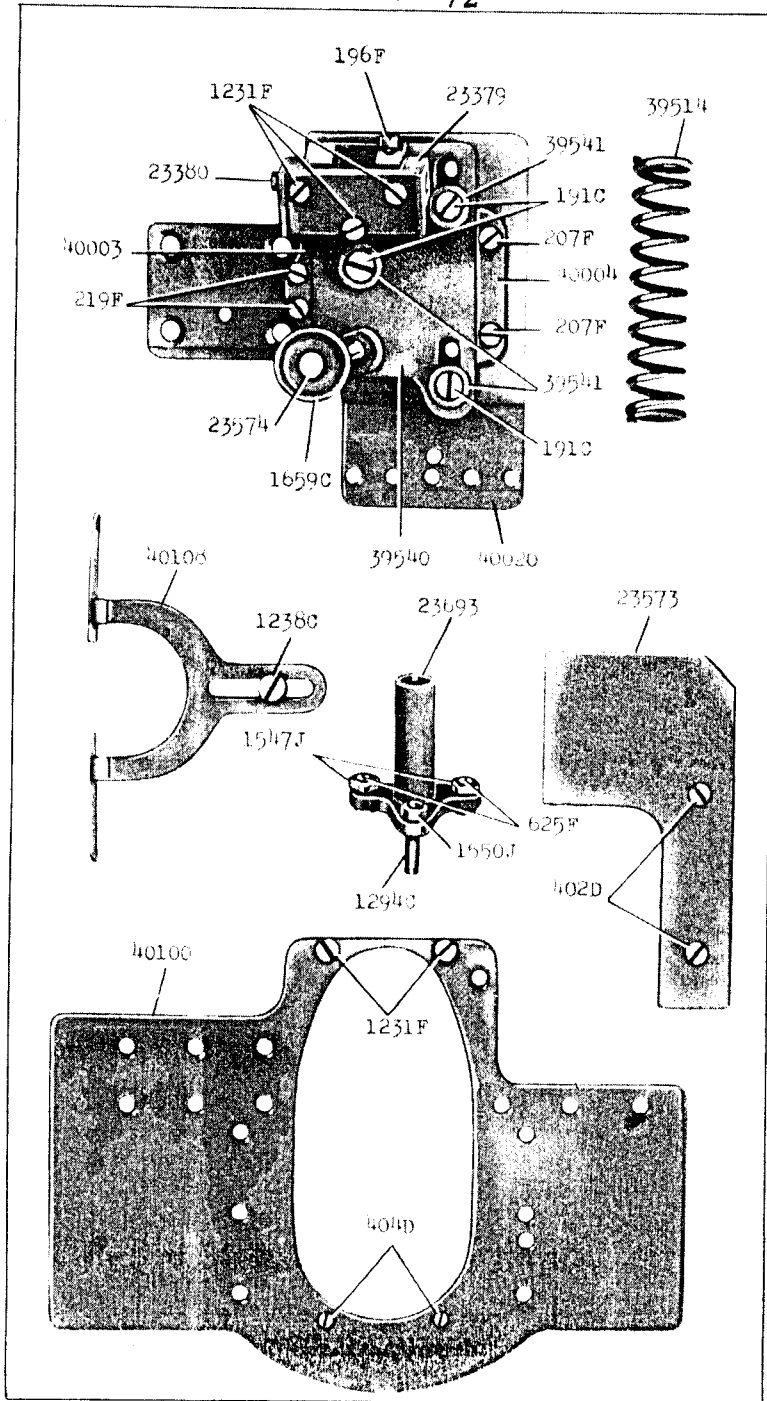
18212 - 1/3



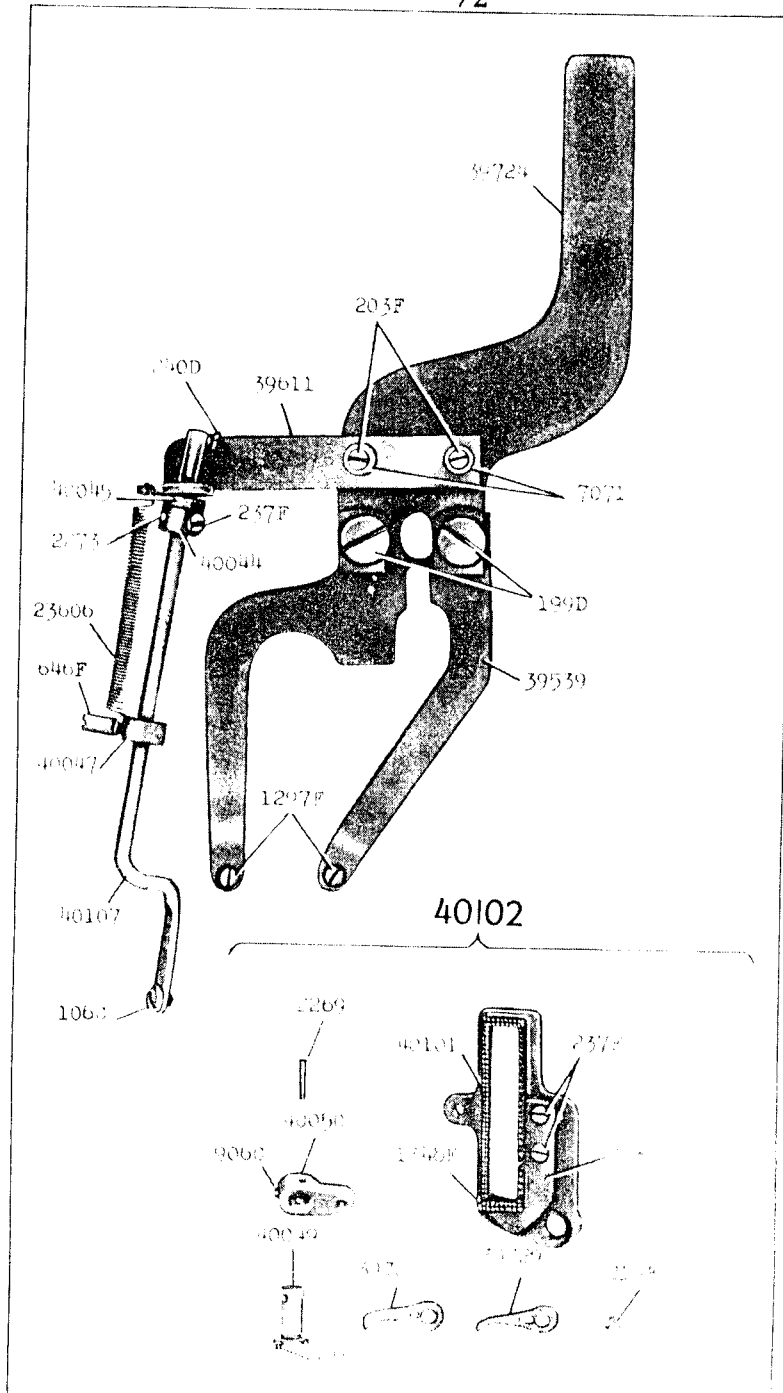
18213 - 1/2



18214 - 1/2

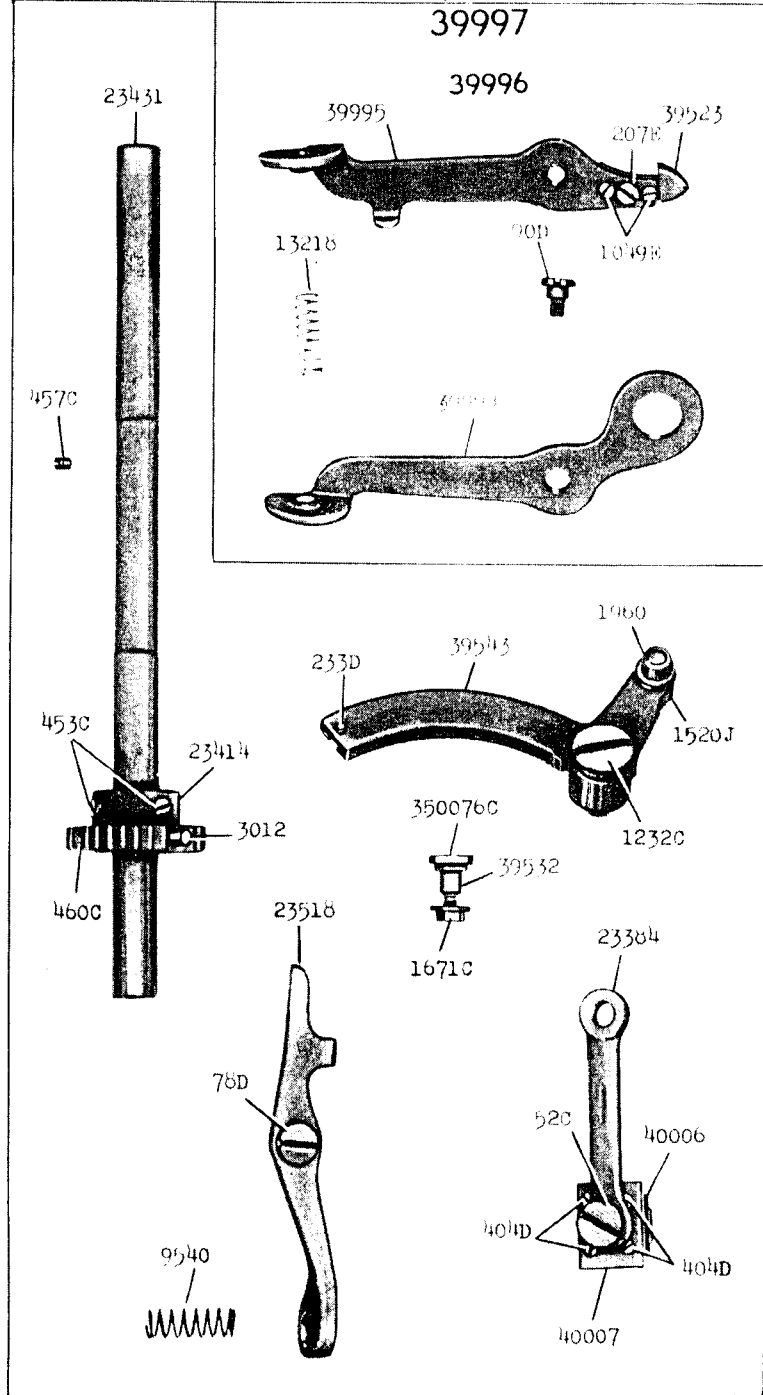


18215 - 1/2



18216 - 1/2

39997



18217 - 1/3

