

SINGER
51W51, W52, W53

Form 2301w
(1134)
Printed in U.S.A.

LIST OF PARTS



MACHINES
Nos. 51w51, 51w52
and 51w53

*** A TRADE MARK OF
THE SINGER MANUFACTURING COMPANY

INSTRUCTIONS FOR OILING

To ensure easy running and prevent unnecessary wear of the parts which are in movable contact, the machine requires oiling and when in continuous use, "TYPE B" or "TYPE D" OIL, sold only by Singer Sewing Machine Company, should be applied at least twice each day to small felt pad on the side of the bobbin case and all oil holes marked "OIL", as instructed in Form 2292w.

"TYPE D" OIL is stainless.

INDEX

	PAGE
ACCESSORIES	33
BOBBIN WINDER	33
FOOT LIFTER	34
MACHINE No. 51w51	7
" " 51w52	16
" " 51w53	24
NUMERICAL LIST OF PARTS	39
PRESSER FEET	35
WOOD BASE (FLAT)	37
" " (OBLIQUE)	37
WORK PLATE PLATFORM	36

COPYRIGHT, U. S. A., 1914, 1919,
1922, 1925, 1930, AND 1934,
BY THE SINGER MANUFACTURING CO.
ALL RIGHTS RESERVED FOR ALL COUNTRIES.

Instructions for Ordering

In ordering from this list, use **ONLY** the **PART** number in the **FIRST** column.

The number stamped on a Sewing Machine Part is the number of the Single Part only, except when the part includes Set Screws, Clamping Screws, Studs and Rollers Spun on, Small Wires riveted, or Parts soldered together, etc., which it is necessary to furnish in combination.

Every combination of parts sent out has its specific number which, although not stamped on Parts (except in above case), must be used when ordering the combination.

Each number always indicates the **SAME PART** in whatever list it appears, or for whatever Machine.

The letters after some of the numbers indicate the style of finish only, as follows:

- A. Hardened, Polished and Plated.
- B. Polished and Plated.
- C. Hardened only.
- D. Polished only.
- E. Soft, not polished.
- F. Hardened and Polished.
- H. Blued.
- J. Nickel Plated only
- R. Merlized.
- Y. Black Nickel Plated only.

These letters **MUST BE USED** when they appear in the list and **AFTER** the number, as in the list.

In this series

200001 to 201500 and 350001 to 351500 are Screw Numbers.
 201501 to 201800 and 351501 to 351800 are Nut Numbers.
 201801 to 202000 and 350801 to 352000 are Roller Numbers.
 202001 to 350000 are Numbers of Machine Parts.

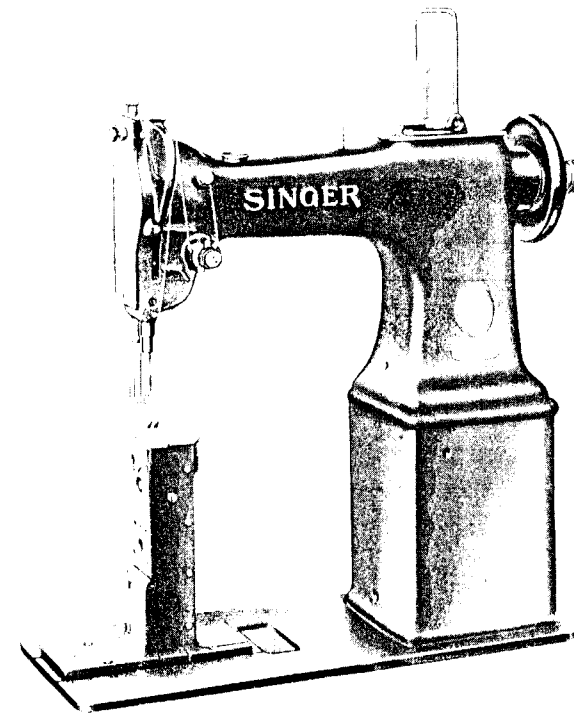
The figures in the second column refer only to the plate in which the illustration of the part is shown and are **NOT TO BE USED** in ordering.

Two or more numbers over a cut indicate that the difference between such parts is not visible in an illustration.

Parts marked with an asterisk (*) are furnished only when repairs are made at the factory.

LIST OF PARTS COMPLETE

FOR



MACHINE No. 51w51

HIGH SPEED. DROP FEED

For General Cloth Work, Shirts, Underwear,
 Corsets, Tailoring, etc.

No.	Plate	Name
*207079	---	Arm
*234002	---	" Base
204235	11570	" " Position Pin (2)
200010	10245	" " Screw (3)
202005	10245	" " " Washer (3)
203091	11573	" Cap
200278	13302	" " Screw
202248	13302	" " " Washer

Parts for Machine No. 51w51

No.	Plate	Name
203089	11573	Arm Cap Spool Holder Base
203090	11573	" " " " " 203089 with 200079H and 204296
200585H	13984	Arm Cap Spool Holder Base Screw
204296	11573	" " " " Wire
200079H	11570	" " " " " Hinge Screw
203092	---	Arm Cap and Spool Holder complete, Nos. 203090, 203091 and two 200585H
10554	13984	Arm Position Pin (2)
200010E	10245	" Screw (3)
202005	10245	" " Washer (3)
202249	13301	" Shaft with 200357E and 224392
240802	11573	" " Bushing (back) with 202244
202244	---	Arm Shaft Bushing Oil Packing (wick)
200338C	13302	Arm Shaft Bushing Set Screw (2)
207080	11573	" " " (front) with 202244
200502B	10246	Arm Shaft Bushing (front) Oil Packing Thumb Screw
234003	13301	Arm Shaft Connection Belt
202635	11573	" " " " Pulley with 200327C, 200602E and two 202253
200602E	13302	Arm Shaft Connection Belt Pulley Position Screw
200327C	13302	Arm Shaft Connection Belt Pulley Set Screw
202253	13302	Arm Shaft Connection Belt Pulley Spring Flange
224392	---	Arm Shaft Oil Packing (wick)
200357E	13302	" " " " Stop Screw
202255	13301	Balance Wheel (belt groove $2\frac{1}{4}$ in. diam.) with 200328C and 200335C
200328C	13302	Balance Wheel Position Screw
200335C	13302	" " " " Set Screw
*234004	---	Bed
202258	12345	" Hinge Connection (2)
200570E	10245	" " " " Screw (4)
203208	11570	Bobbin
234080	11570	" Case Base with 202056, 203211 to 203213 and 203216
203211	13984	Bobbin Case Base Latch
*202056	---	" " " " Pin
203212	13984	" " " " Plunger
203213	13984	" " " " Spring

Parts for Machine No. 51w51

No.	Plate	Name
234081	11570	Bobbin Case Cap with 200594C, 200984C and 203214
234079	13302	Bobbin Case Lever
234065	13302	" " " " Driving Block
200076B	13302	" " " " " " Screw
201272C	13984	Bobbin Case Lever Hinge Screw
203214	13302	" " " " Tension Spring
200984C	13302	" " " " " " Regulat- ing Screw
200594C	13302	Bobbin Case Tension Spring Screw
203216	---	" " " " Washer (cloth)
234082	---	Bobbin Case complete, Nos. 234080 and 234081
202274	13986	Face Plate
202135	10245	" " " " Position Pin
200462B	10245	" " " " Thumb Screw
234010	11573	Feed Bar
200641C	10246	" " " " Hinge Screw (driving)
201518E	10245	" " " " " " Nut
202276	10245	" " " " " " Slide Block
234084	---	" " " " " " Crank with 200038C
234011	13302	Feed Bar Slide Block Crank 234084 with 200205E, 201518E and 202276
200038C	10245	Feed Bar Slide Block Crank Pinch Screw
200205E	10245	Feed Bar Slide Block Hinge Screw
201518E	10245	" " " " " " " " Nut
212628	11577	Feed Dog
241502	11571	" " " " Lever with 200098E
200362C	13984	" " " " " " Adjusting Screw
201524E	13984	" " " " " " " " Check Nut
200263B	13302	Feed Dog Lever Hinge Screw
201528B	13302	" " " " " " " " Nut
241503	11571	" " " " " " " " Post
241504	---	" " " " " " " " 241503 with 200265E, 201525E, 203610, 221212, 241502, 241522, four each 200054E and 200578H
221209	11571	Feed Dog Lever Post Cover (back)
241507	11571	" " " " " " " " (front)
200159F	13304	" " " " " " " " " Clamp Screw
200583H	13304	Feed Dog Lever Post Cover (back or front) Screw

Parts for Machine No. 51w51

No.	Plate	Name
241522	11571	Feed Dog Lever Post Cover (side) with 200362c and 201524E
200578H	11570	Feed Dog Lever Post Cover (side) Screw
200024c	13304	Feed Dog Lever Post Screw (2)
203637	13984	" " " " " Washer (2)
221212	13986	Feed Dog Lever Post Support
200054E	10246	" " " " " Screw
200008c	13984	" " " " " " (2)
203637	13984	Feed Dog Lever Post Support Screw Washer (2)
203610	13304	Feed Dog Lever Slide Block
200265E	13304	" " " " " Hinge Screw
201525E	10245	Feed Dog Lever Slide Block Hinge Screw Nut
200098E	13304	Feed Dog Screw
234015	13301	" Driving Connection with 200049E and 202277
202298	10245	Feed Driving Connection Crank with 200038c
200038c	10245	Feed Driving Connection Crank Pinch Screw
200545c	10245	Feed Driving Connection Hinge Screw
201518E	10245	Feed Driving Connection Hinge Screw Nut
202277	---	Feed Driving Connection Oil Packing (wick)
200049E	13304	Feed Driving Connection Pinch Screw
202300	10246	Feed Driving Eccentric Regulating Bracket
203098	13306	Feed Driving Eccentric Regulating Bracket 202300 with 202635, two each 201014c and 201525E
201014c	10245	Feed Driving Eccentric Regulating Bracket Hinge Screw
201525E	10245	Feed Driving Eccentric Regulating Bracket Hinge Screw Nut
202301	10246	Feed Driving Eccentric Regulating Bracket Plunger
202595	10246	Feed Driving Eccentric Regulating Bracket Plunger Spring
200607c	10246	Feed Driving Eccentric Regulating Bracket Plunger Spring Stop Screw

Parts for Machine No. 51w51

No.	Plate	Name
201014c	10245	Feed Driving Eccentric Regulating Bracket Stop Screw
201525E	10245	Feed Driving Eccentric Regulating Bracket Stop Screw Nut
200429c	10246	Feed Driving Eccentric Regulating Screw
200383c	10246	Feed Driving Eccentric Regulating Screw Check Screw
202303	13301	Feed Driving Rock Shaft
234016	---	" " " " 202303 with 200641c, 201518E and 234010
202305	10245	Feed Driving Rock Shaft Center (2)
200043c	10246	" " " " " Set Screw (2)
234017	13301	Feed Lifting Connection with 200049E and 202277
202307	10246	Feed Lifting Connection Eccentric with 200382c and 200437c
200437c	10246	Feed Lifting Connection Eccentric Position Screw
200382c	13304	Feed Lifting Connection Eccentric Set Screw
200545c	10245	Feed Lifting Connection Hinge Screw
201518E	10245	Feed Lifting Connection Hinge Screw Nut
202277	---	Feed Lifting Connection Oil Packing (wick)
200049E	13304	Feed Lifting Connection Pinch Screw
234018	13301	Feed Lifting Rock Shaft
202305	10245	" " " " Center (2)
200043c	10246	" " " " " Set Screw (2)
202310	11573	Feed Regulating Spindle with 202311, 202443 and 202619
*202311	---	Feed Regulating Spindle Head
202443	13304	" " " " Pin
202619	13304	" " " " Position Pin
203061	13301	Foot Lifter Lifting Lever
200242H	---	" " " " Hinge Screw
234019	13301	Foot Lifter Lifting Lever Rod with 202302
202302	11570	Foot Lifter Lifting Lever Rod Cotter Pin

Parts for Machine No. 51w51

No.	Plate	Name
203058	13304	Foot Lifter Lifting Lever Rod Coupling with 200530c
200530c	13984	Foot Lifter Lifting Lever Rod Coupling Set Screw
233361	11578	Foot Lifter Lifting Lever Spring
200273b	11578	" " " " " Screw
233390	11578	Foot Lifter Lifting Lever Washer
*234020	-----	Hook (sewing)
234021	13304	" 234020 with 203513 and two 201253f
234022	-----	Hook and Bobbin Case complete, Nos. 234021 and 234082
234088	11571	Hook Bevel Gear Socket, 14 teeth
234024	13304	" " " " Friction Washer
200555h	13304	Hook Bevel Gear Socket Screw
241551	11570	" " Pinion, 28 teeth, with two 200378c
200378c	13304	Hook Bevel Pinion Set Screw
234026	13301	" Driving Shaft
202321	10245	" " " Bushing (3)
200346c	10245	" " " " Set Screw (3)
234027	13304	Hook Driving Shaft Collar with two 200378c (2)
200378c	13304	Hook Driving Shaft Collar Set Screw
234028	13306	Hook Driving Shaft Connection Belt Pulley with 202253 and two 201254c
201254c	13304	Hook Driving Shaft Connection Belt Pulley Set Screw
202253	13302	Hook Driving Shaft Connection Belt Pulley Spring Flange
224392	-----	Hook Driving Shaft Oil Packing (wick) (3)
203513	13304	Hook Gib
201253f	13304	" " Screw
234069	13306	" Post
241861	-----	" " 234069 with 200555h, 201272c, 202299, 221209, 221215, 234022, 234024, 234065, 234078, 234079, 234088, 241507, two 200076b and eight 200583h
241862	-----	Hook Post complete, Nos. 200159f, 241504 and 241861

Parts for Machine No. 51w51

No.	Plate	Name
202299	-----	Hook Post Oil Packing (wick)
200008c	13984	" " Screw (2)
203637	13984	Hook Post Screw Washer (2)
221215	13304	" " Slide
234078	11570	" Washer
241865	11572	Needle Bar with 200141f
241557	11570	" " Bushing
241866	-----	" " " 241557 with 241865
200352c	11572	" " " Set Screw
202552	11572	" " Connecting Link
236073	11572	" " " " Oil Guard
200161b	11572	Needle Bar Connecting Link Oil Guard Screw
202333	11572	Needle Bar Connecting Link Stud with 202254
202254	-----	Needle Bar Connecting Link Stud Oil Packing (wick)
200374c	11572	Needle Bar Connecting Link Stud Set Screw
200383c	10246	Needle Bar Connecting Link Stud Set Screw
*206891	-----	Needle Bar Connecting Stud
202329	11572	" " " " 206891 with 200086c and 202330
202330	-----	Needle Bar Connecting Stud Oil Packing (wick)
200086c	11572	Needle Bar Connecting Stud Pinch Screw
202551	11573	Needle Bar Crank with 200335c, 200374c, 200383c, 200428c and 202333
241863	-----	Needle Bar Crank 202551 with 202329, 202399, 202400, 202552 and 240139
203172	11572	Needle Bar Crank Friction Washer
200428c	11572	" " " Position Screw
200335c	13302	" " " Set Screw
200141f	11572	" Set Screw
244033	-----	Presser Bar (hollow)
202335	11573	" " 244033 with 200074f
241535	11572	" " Bushing
200352c	11572	" " " Set Screw
202554	11572	" " Lifter
200653c	11572	" " " Hinge Screw
244006	11574	" " Lifting Releasing Lever Bracket
200260b	11574	Presser Bar Lifting Releasing Lever Bracket Guide Screw

Parts for Machine No. 51w51

No.	Plate	Name
206608	11574	Presser Bar Lifting Releasing Lever Bracket Spring
202337	11574	Presser Bar Position Guide
202338	11574	" " " " Lever with 200086r
200086r	11572	Presser Bar Position Guide Lever Pinch Screw
200352c	11572	Presser Bar Position Guide Set Screw
236089	11574	Presser Bar Spring
202346	11575	" " " Stop Rod
200492b	11575	" " Thumb Screw (pres- sure regulating)
200475b	11575	Presser Bar Thumb Screw Thumb Set Screw
202355	11575	Presser Bar Thumb Screw Thumb Set Screw Packing (brass)
202090	11575	Presser Foot Hinge Pin
229083	---	" " Plate
200074r	11570	" " Screw
202924	---	" " Shank
229084	11577	Presser Foot (hinged) complete, Nos. 202090, 202924 and 229083
240139	11575	Take-up Lever
202399	11575	" " Driving Stud with 202277
202277	---	Take-up Lever Driving Stud Oil Packing (wick)
202400	11575	Take-up Lever Hinge Stud with 202423
202423	---	Take-up Lever Hinge Stud Oil Packing (wick)
200383c	10246	Take-up Lever Hinge Stud Set Screw
202401	---	Take-up Lever Oiling Felt
200132f	11575	" " " " Screw
244048	11576	Tension Disc (back)
244049	11576	" " (front)
202404	11576	" Release Plunger
202405	11576	" " Washer
202407	10881	" Spring
200625f	11576	" Stud with 204925
200064c	11576	" " Set Screw
204925	11576	" " Washer
201572b	10881	" Thumb Nut
202409	10252	Tension complete, Nos. 200625f, 201572b, 202405, 202407, 202410, 244048 and 244049

Parts for Machine No. 51w51

No.	Plate	Name
202410	10252	Thread Controller Spring
242117	11576	" " " Stop
200132f	11575	" " " " Screw
202412	10252	" Guide
202413	10252	" "
202414	10252	" "
202415	10252	" "
202417	10252	" " Screw
200582H	10252	" " Set Screw
200355H	10252	" " " "
200397H	11576	" " " "
202091	10252	" Retainer Sleeve
202092	10252	" " Spring
204058	10252	" " Stud
200368H	11576	" " " Set Screw
204059	---	Thread Retainer complete, Nos. 202031 202092 and 204058
241864	11577	Throat Plate, 50 needle hole, for needle sizes 14 and 15
200577H	10245	Throat Plate Screw (2)

SINGER Needles should be used
in SINGER Machines.
These Needles and their Containers
are marked with the
Company's Trade Mark "SIMANCO. **" 1

Needles in Containers marked
"FOR SINGER MACHINES"
are NOT **SINGER** made needles. 2

LIST OF PARTS COMPLETE
FOR
MACHINE No. 51w52

HIGH SPEED - DROP FEED
ALTERNATING PRESSERS

For Tailoring, etc.

No.	Plate	Name
*241860	—	Arm
*234002	—	" Base
204235	11570	" " Position Pin (2)
200010E	10245	" " Screw (3)
202005	10245	" " " Washer (3)
203091	11573	" Cap
200278H	13302	" " Screw
202248	13302	" " " Washer
203089	11573	" " Spool Holder Base
203090	11573	" " " " " 203089 with 200079H and 204296
200585H	13984	Arm Cap Spool Holder Base Screw
204296	11573	" " " " Wire
200079H	11570	" " " " " Hinge Screw
203092	—	Arm Cap and Spool Holder complete. Nos. 203090, 203091 and two 200585H
10554	13984	Arm Position Pin (2)
200010E	10245	" Screw (3)
202005	10245	" " Washer (3)
202249	13301	" Shaft with 200357E and 224392
240802	11573	" " Bushing (back) with 202244
202244	—	Arm Shaft Bushing Oil Packing (wick)
200338C	13302	Arm Shaft Bushing Set Screw (2)
207080	11573	" " " (front) with 202244
200502B	10246	" " " " Oil Packing Thumb Screw
234003	13301	Arm Shaft Connection Belt
202635	11573	" " " " Pulley with 200327C, 200602E and two 202253
200602E	13302	Arm Shaft Connection Belt Pulley Position Screw

Parts for Machine No. 51w52

No.	Plate	Name
200327C	13302	Arm Shaft Connection Belt Pulley Set Screw
202253	13302	Arm Shaft Connection Belt Pulley Spring Flange
224392	—	Arm Shaft Oil Packing (wick)
200357E	13302	" " " " Stop Screw
235806	11571	Balance Wheel (belt groove $2\frac{1}{2}$ in. diam.) with 200328C and 200335C
200328C	13302	Balance Wheel Position Screw
200335C	13302	" " Set Screw
*234004	—	Bed
202258	12345	" Hinge Connection (2)
200570E	10245	" " " Screw (4)
203208	11570	Bobbin
234080	11570	" Case Base with 202056, 203211 to 203213 and 203216
203211	13984	Bobbin Case Base Latch
*202056	—	" " " " Pin
203212	13984	" " " " Plunger
203213	13984	" " " " Spring
234081	11570	" " Cap with 200594C, 200984C and 203214
234079	13302	Bobbin Case Lever
234065	13302	" " " " Driving Block
200076D	13302	" " " " " Screw
201272C	13984	Bobbin Case Lever Hinge Screw
203214	13302	" " Tension Spring
200984C	13302	" " " " Regulating Screw
200594C	13302	Bobbin Case Tension Spring Screw
203216	—	" " Washer (cloth)
234082	—	Bobbin Case complete, Nos. 234080 and 234081
233610	11571	Face Plate
202135	10245	" " Position Pin
200462B	10245	" " Thumb Screw
234010	11573	Feed Bar
200641C	10246	" " Hinge Screw (driving)
201518E	10245	" " " " Nut
202276	10245	" " Slide Block
234084	—	" " " " Crank with 200038C
234011	13302	Feed Bar Slide Block Crank 234084 with 200205E, 201518E and 202276
200038C	10245	Feed Bar Slide Block Crank Pinch Screw

Parts for Machine No. 51w52

No.	Plate	Name
200205F	10245	Feed Bar Slide Block Hinge Screw
201518E	10245	" " " " " "
		Nut
212629	11577	Feed Dog
241502	11571	" " Lever with 200098E
200362C	13984	" " " Adjusting Screw
201524E	13984	" " " " " "
		Check Nut
200263D	13302	Feed Dog Lever Hinge Screw
201528D	13302	" " " " " Nut
241503	11571	" " " Post
241504	---	" " " " 241503 with 200265E, 201525E, 203610, 221212, 241502, 241522, four each 200054E and 200578H
221209	11571	Feed Dog Lever Post Cover (back)
241507	11571	" " " " " (front)
200159F	13304	" " " " " "
		Clamp Screw
200583H	13304	Feed Dog Lever Post Cover (back or front) Screw
241522	11571	Feed Dog Lever Post Cover (side) with 200362C and 201524E
200578H	11570	Feed Dog Lever Post Cover (side) Screw
200024C	13304	Feed Dog Lever Post Screw (2)
203637	13984	" " " " " Washer (2)
221212	13986	Feed Dog Lever Post Support
200054E	10246	" " " " " Screw
200008C	13984	" " " " " "
		(2)
203637	13984	Feed Dog Lever Post Support Screw Washer (2)
203610	13304	Feed Dog Lever Slide Block
200265E	13304	" " " " " Hinge Screw
201525E	10245	Feed Dog Lever Slide Block Hinge Screw Nut
200098E	13304	Feed Dog Screw
234015	13301	" Driving Connection with 200049E and 202277
202298	10245	Feed Driving Connection Crank with 200038C
200038C	10245	Feed Driving Connection Crank Pinch Screw
200545C	10245	Feed Driving Connection Hinge Screw

Parts for Machine No. 51w52

No.	Plate	Name
201518E	10245	Feed Driving Connection Hinge Screw Nut
202277	---	Feed Driving Connection Oil Pack- ing (wick)
200049E	13304	Feed Driving Connection Pinch Screw
202300	10246	Feed Driving Eccentric Regulating Bracket
203098	13306	Feed Driving Eccentric Regulating Bracket 202300 with 202635, two each 201014C and 201525E
201014C	10245	Feed Driving Eccentric Regulating Bracket Hinge Screw
201525E	10245	Feed Driving Eccentric Regulating Bracket Hinge Screw Nut
202301	10246	Feed Driving Eccentric Regulating Bracket Plunger
202595	10246	Feed Driving Eccentric Regulating Bracket Plunger Spring
200507C	10246	Feed Driving Eccentric Regulating Bracket Plunger Spring Stop Screw
201014C	10245	Feed Driving Eccentric Regulating Bracket Stop Screw
201525E	10245	Feed Driving Eccentric Regulating Bracket Stop Screw Nut
200429C	10246	Feed Driving Eccentric Regulating Screw
200383C	10246	Feed Driving Eccentric Regulating Screw Check Screw
202303	13301	Feed Driving Rock Shaft
234016	---	" " " " 202303 with 200641C, 201518E and 234010
202305	10245	Feed Driving Rock Shaft Center (2)
200043C	10246	" " " " " Set Screw (2)
234017	13301	Feed Lifting Connection with 200049E and 202277
202307	10246	Feed Lifting Connection Eccentric with 200382C and 200437C
200437C	10246	Feed Lifting Connection Eccentric Position Screw
200382C	13304	Feed Lifting Connection Eccentric Set Screw
200545C	10245	Feed Lifting Connection Hinge Screw
201518E	10245	Feed Lifting Connection Hinge Screw Nut

Parts for Machine No. 51w52

No.	Plate	Name
202277	---	Feed Lifting Connection Oil Packing (wick)
200049E	13304	Feed Lifting Connection Pinch Screw
234018	13301	Feed Lifting Rock Shaft
202305	10245	" " " " Center (2)
200043C	10246	" " " " " Set Screw (2)
202310	11573	Feed Regulating Spindle with 202311, 202443 and 202619
*202311	---	Feed Regulating Spindle Head
202443	13304	" " " " Pin
202619	13304	" " " " Position Pin
203061	13301	Foot Lifter Lifting Lever
200242H	---	" " " " Hinge Screw
234019	13301	Foot Lifter Lifting Lever Rod with 202302
202302	11570	Foot Lifter Lifting Lever Rod Cotter Pin
203058	13304	Foot Lifter Lifting Lever Rod Coupling with 200530C
200530C	13984	Foot Lifter Lifting Lever Rod Coupling Set Screw
233361	11578	Foot Lifter Lifting Lever Spring
200273D	11578	" " " " " Screw
233390	11578	Foot Lifter Lifting Lever Washer
*234020	---	Hook (sewing)
234021	13304	" 234020 with 203513 and two 201253F
234022	---	Hook and Bobbin Case complete, Nos. 234021 and 234082
241550	11571	Hook Bevel Gear Socket, 14 teeth
234024	13304	" " " " Friction Washer
200555H	13304	Hook Bevel Gear Socket Screw
241551	11570	" " Pinion, 28 teeth, with two 200378C
200378C	13304	Hook Bevel Pinion Set Screw
254026	13301	" Driving Shaft
202321	10245	" " " Bushing (3)
200346C	10245	" " " " Set Screw (3)
234027	13304	Hook Driving Shaft Collar with two 200378C (2)
200378C	13304	Hook Driving Shaft Collar Set Screw

Parts for Machine No. 51w52

No.	Plate	Name
234028	13306	Hook Driving Shaft Connection Belt Pulley with 202253 and two 201254C
201254C	13304	Hook Driving Shaft Connection Belt Pulley Set Screw
202253	13302	Hook Driving Shaft Connection Belt Pulley Spring Flange
224392	---	Hook Driving Shaft Oil Packing (wick) (3)
203513	13304	Hook Gib
201253F	13304	" " Screw
234069	13306	" Post
241871	---	Hook Post 234069 with 200555H, 201272C, 202299, 221209, 221215, 234022, 234024, 234065, 234078, 234079, 241507, 241550, two 200076D and eight 200583H
241872	---	Hook Post complete, Nos. 200159F, 241504 and 241871
202299	---	Hook Post Oil Packing (wick)
200008C	13984	" " Screw (2)
203637	13984	" " " Washer (2)
221215	13304	" " Slide
234078	11570	" Washer
208545	11570	Lifting Bell Crank
233624	11570	" " " Driving Crank
208547	11570	" " " " " Link
201012C	11570	" " " " " Position Screw
200383C	10246	Lifting Bell Crank Driving Crank Set Screw
200996C	11570	Lifting Bell Crank Stop Screw
204595	11577	" Presser Foot
200074F	11570	" " " Screw
241881	11572	Needle Bar with 200141F
202693	11570	" " Bushing
241882	---	" " " 202693 with 241881
200352C	11572	" " " Set Screw
233642	11572	" " Connecting Link
*206891	---	" " " Stud
202329	11572	" " " " 206891 with 200086C and 202330
202330	---	Needle Bar Connecting Stud Oil Packing (wick)
200086C	11572	Needle Bar Connecting Stud Pinch Screw
233627	11573	Needle Bar Crank with 200335C, 200383C, 200428C and 201012C

Parts for Machine No. 51w52

No.	Plate	Name
203172	11572	Needle Bar Crank Friction Washer
200428c	11572	" " " Position Screw
200335c	13302	" " " Set Screw
200141F	11572	" Set Screw
244033	----	Presser Bar (hollow)
202335	11573	" " 244033 with 200074F
241535	11572	" " Bushing
200352c	11572	" " " Set Screw
202554	11572	" " Lifter
200653c	11572	" " " Hinge Screw
233628	11574	" " Lifting Bracket with 200054E
200975F	11574	Presser Bar Lifting Bracket Guide Screw
200054E	10246	Presser Bar Lifting Bracket Pinch Screw
233634	11574	Presser Bar Position Guide
202338	11574	" " " " Lever with 200086F
200086F	11572	Presser Bar Position Guide Lever Pinch Screw
200352c	11572	Presser Bar Position Guide Set Screw
233646	11574	Presser Bar Spring
234044	11575	" " " Stop Rod
200492B	11575	" " Thumb Screw (pres- sure regulating)
200475B	11575	Presser Bar Thumb Screw Thumb Set Screw
202355	11575	Presser Bar Thumb Screw Thumb Set Screw Packing (brass)
240139	11575	Take-up Lever
208557	11575	" " Driving Stud with 202277
202277	----	Take-up Lever Driving Stud Oil Packing (wick)
202400	11575	Take-up Lever Hinge Stud with 202423
202423	----	Take-up Lever Hinge Stud Oil Pack- ing (wick)
200383c	10246	Take-up Lever Hinge Stud Set Screw
208558	11575	Take-up Lever Oil Guard with 223655 and 224572
200161H	11572	Take-up Lever Oil Guard Screw
208568	11575	" " " Leader
202254	----	" " " " Packing (wick)

Parts for Machine No. 51w52

No.	Plate	Name
223655	---	Take-up Lever Oiling Felt
224572	11575	" " " " Rivet
244048	11576	Tension Disc (back)
244049	11576	" " (front)
202404	11576	" Release Plunger
233629	11576	" " Slide
208560	11576	" " " Spring
202405	11576	" " Washer
202407	10881	" Spring
200625F	11576	" Stud with 204925
200061c	11576	" " Set Screw
204925	11576	" " Washer
201572B	10881	" Thumb Nut
202409	10252	Tension complete, Nos. 200625F, 201572B, 202405, 202407, 202410, 244048 and 244049
202410	10252	Thread Controller Spring
202411	10252	" " " Stop
200132E	11575	" " " " Screw
202412	10252	" Guide
202413	10252	" "
202414	10252	" "
202415	10252	" "
202417	10252	" "
200582H	10252	" " Screw
200355H	10252	" " Set Screw
200397H	11576	" " " "
202091	10252	" Retainer Sleeve
202092	10252	" " Spring
204058	10252	" " Stud
200368H	11576	" " " Set Screw
204059	---	Thread Retainer complete, Nos. 202091, 202092 and 204058
241864	11577	Throat Plate, 50 needle hole, for needle sizes 14 and 15
200577H	10245	Throat Plate Screw (2)
233979	11578	Vibrating Presser Bar
233631	11578	" " " Hinge Bracket
233632	11576	" " " Position Stop
200190D	11578	" " " " " Screw
200066D	11578	Vibrating Presser Bar Screw (2)
204493	11578	" " " Spring
204620	11577	" " Foot
200098F	13304	" " " Screw
203357	11578	" " " " Washer

LIST OF PARTS COMPLETE

FOR

MACHINE No. 51w53

HIGH SPEED - DROP FEED
ALTERNATING PRESSERS

For Shoes, Gloves and Other Light Leather Work

No.	Plate	Name
*241860	---	Arm
*234002	---	Base
204235	11570	" " Position Pin (2)
200010E	10245	" " Screw (3)
202005	10245	" " Washer (3)
203091	11573	" Cap
200278H	13302	" " Screw
202248	13302	" " Washer
203089	11573	" " Spool Holder Base
203090	11573	" " " " " 203089 with 200079H and 204296
200585H	13984	Arm Cap Spool Holder Base Screw
204296	11573	" " " " Wire
200079H	11570	" " " " " Hinge Screw
203092	---	Arm Cap and Spool Holder complete, Nos. 203090, 203091 and two 200585H
10554	13984	Arm Position Pin (2)
200010E	10245	" Screw (3)
202005	10245	" " Washer (3)
202249	13301	" Shaft with 200357E and 224392
240802	11573	" " Bushing (back) with 202244
202244	---	Arm Shaft Bushing Oil Packing (wick)
200338C	13302	Arm Shaft Bushing Set Screw (2)
207080	11573	" " " (front) with 202244
200502B	10246	Arm Shaft Bushing (front) Oil Packing Thumb Screw
234003	13301	Arm Shaft Connection Belt
202635	11573	" " " " Pulley with 200327C, 200602E and two 202258

Parts for Machine No. 51w53

No.	Plate	Name
200602E	13302	Arm Shaft Connection Belt Pulley Position Screw
200327C	13302	Arm Shaft Connection Belt Pulley Set Screw
202253	13302	Arm Shaft Connection Belt Pulley Spring Flange
224392	---	Arm Shaft Oil Packing (wick)
200357E	13302	" " " " Stop Screw
235806	11571	Balance Wheel (belt groove 2 1/2 in. diam.) with 200328C and 200335C
200328C	13302	Balance Wheel Position Screw
200335C	13302	" " Set Screw
*234004	---	Bed
202258	12345	" Hinge Connection (2)
200570E	10245	" " " Screw (4)
203470	13302	Bobbin
235769	13984	" Case Base with 202056, 203211 to 203213 and 203216
203211	13984	Bobbin Case Base Latch
*202056	---	" " " " Pin
203212	13984	" " " " Plunger
203213	13984	" " " " Spring
235770	13984	" " Cap with 200594C, 200984C and 235771
234079	13302	Bobbin Case Lever
234065	13302	" " " Driving Block
200076D	13302	" " " " " Screw
201272C	13984	Bobbin Case Lever Hinge Screw
235771	13984	" " Tension Spring
200984C	13302	" " " " Regulat- ing Screw
200594C	13302	Bobbin Case Tension Spring Screw
203216	---	" " Washer (cloth)
235772	---	Bobbin Case complete, Nos. 235769 and 235770
233649	11571	Face Plate
200462B	10245	" " Thumb Screw
234010	11573	Feed Bar
200641C	10246	" " Hinge Screw (driving)
201518E	10245	" " " " Nut
202276	10245	" " Slide Block
234084	---	" " " " Crank with 200038C
234011	13302	Feed Bar Slide Block Crank 234084 with 200205F, 201518E and 202276
200038C	10245	Feed Bar Slide Block Crank Pinch Screw

Parts for Machine No. 51w53

No.	Plate	Name
200205E	10245	Feed Bar Slide Block Hinge Screw
201518E	10245	" " " " " "
		Nut
212637	13984	Feed Dog
241502	11571	" " Lever with 200098E
200362c	13984	" " " Adjusting Screw
201524E	13984	" " " " " "
		Check Nut
200263D	13302	Feed Dog Lever Hinge Screw
201528D	13302	" " " " " Nut
241503	11571	" " " Post
241504	-----	" " " " 241503 with 200265E, 201525E, 203610, 221212, 241502, 241522, four each 200054c and 200578H
221209	11571	Feed Dog Lever Post Cover (back)
241507	11571	" " " " " (front)
200159E	13304	" " " " " "
		Clamp Screw
200583H	13304	Feed Dog Lever Post Cover (back or front) Screw
241522	11571	Feed Dog Lever Post Cover (side) with 200362c and 201524E
200578H	11570	Feed Dog Lever Post Cover (side) Screw
200024c	13304	Feed Dog Lever Post Screw (2)
203637	13984	" " " " " Washer (2)
221212	13986	Feed Dog Lever Post Support
200054E	10246	" " " " " Screw
200008c	13984	" " " " " "
		(2)
203637	13984	Feed Dog Lever Post Support Screw Washer (2)
203610	13304	Feed Dog Lever Slide Block
200265E	13304	" " " " " Hinge Screw
201525E	10245	Feed Dog Lever Slide Block Hinge Screw Nut
200098E	13304	Feed Dog Screw
234015	13301	" Driving Connection with 200049E and 202277
202298	10245	Feed Driving Connection Crank with 200038c
200038c	10245	Feed Driving Connection Crank Pinch Screw
200545c	10245	Feed Driving Connection Hinge Screw

Parts for Machine No. 51w53

No.	Plate	Name
201518E	10245	Feed Driving Connection Hinge Screw Nut
202277	-----	Feed Driving Connection Oil Pack- ing (wick)
200049E	13304	Feed Driving Connection Pinch Screw
202300	10246	Feed Driving Eccentric Regulating Bracket
203098	13306	Feed Driving Eccentric Regulating Bracket 202300 with 202635, two each 201014c and 201525E
201014c	10245	Feed Driving Eccentric Regulating Bracket Hinge Screw
201525E	10245	Feed Driving Eccentric Regulating Bracket Hinge Screw Nut
202301	10246	Feed Driving Eccentric Regulating Bracket Plunger
202595	10246	Feed Driving Eccentric Regulating Bracket Plunger Spring
200607c	10246	Feed Driving Eccentric Regulating Bracket Plunger Spring Stop Screw
201014c	10245	Feed Driving Eccentric Regulating Bracket Stop Screw
201525E	10245	Feed Driving Eccentric Regulating Bracket Stop Screw Nut
200429c	10246	Feed Driving Eccentric Regulating Screw
200383c	10246	Feed Driving Eccentric Regulating Screw Check Screw
202303	13301	Feed Driving Rock Shaft
234016	---	" " " " 202303 with 200641c, 201518E and 234010
202305	10245	Feed Driving Rock Shaft Center (2)
200043c	10246	" " " " " Set Screw (2)
234017	13301	Feed Lifting Connection with 200049E and 202277
202307	10246	Feed Lifting Connection Eccentric with 200382c and 200437c
200437c	10246	Feed Lifting Connection Eccentric Position Screw
200382c	13304	Feed Lifting Connection Eccentric Set Screw
200545c	10245	Feed Lifting Connection Hinge Screw
201518E	10245	Feed Lifting Connection Hinge Screw Nut

Parts for Machine No. 51w53

No.	Plate	Name
202277	-----	Feed Lifting Connection Oil Packing (wick)
200049E	13304	Feed Lifting Connection Pinch Screw
234018	13301	Feed Lifting Rock Shaft
202305	10245	" " " " Center (2)
200043C	10246	" " " " " Set Screw (2)
202310	11573	Feed Regulating Spindle with 202311, 202443 and 202619
*202311	-----	Feed Regulating Spindle Head
202443	13304	" " " " Pin
202619	13304	" " " " Position Pin
203061	13301	Foot Lifter Lifting Lever
200242B	-----	" " " " Hinge Screw
234019	13301	Foot Lifter Lifting Lever Rod with 202302
202302	11570	Foot Lifter Lifting Lever Rod Collar Pin
203058	13304	Foot Lifter Lifting Lever Rod Coupling with 200530C
200530C	13984	Foot Lifter Lifting Lever Rod Coupling Set Screw
233361	11578	Foot Lifter Lifting Lever Spring
200273D	11578	" " " " " Screw
233390	11578	Foot Lifter Lifting Lever Washer
*221214	-----	Hook (sewing)
241602	13984	" 221214 with 201253E, 201376E and 241604
241603	-----	Hook and Bobbin Case complete, Nos. 235772 and 241602
241550	11571	Hook Bevel Gear Socket, 14 teeth
234024	13304	" " " " Friction Washer
200555H	13304	Hook Bevel Gear Socket Screw
241551	11570	" " Pinion, 28 teeth, with two 200378C
200378C	13304	Hook Bevel Pinion Set Screw
234026	13301	" Driving Shaft
202321	10245	" " " Bushing (3)
200346C	10245	" " " " Set Screw (3)
234027	13304	Hook Driving Shaft Collar with two 200378C (2)
200378C	13304	Hook Driving Shaft Collar Set Screw

Parts for Machine No. 51w53

No.	Plate	Name
234028	13306	Hook Driving Shaft Connection Belt Pulley with 202253 and two 201254C
201254C	13304	Hook Driving Shaft Connection Belt Pulley Set Screw
202253	13302	Hook Driving Shaft Connection Belt Pulley Spring Flange
224352	-----	Hook Driving Shaft Oil Packing (wick) (3)
241604	13981	Hook GB
201376E	13984	" " Hinge Screw
201253E	13304	" " Screw
234069	13306	" Post
241610	-----	" " 234069 with 200555H, 201272C, 202299, 221209, 221215, 231222, 234024, 234065, 234079, 241597, 241550, 241603, two 200976D and eight 200583D
241641	-----	Hook Post complete, Nos. 200159E, 241594 and 241640
202299	-----	Hook Post Oil Packing (wick)
200008C	13984	" " Screw (2)
203637	13984	" " " Washer (2)
221215	13304	" " Slide
221222	13984	" Washer
208545	11570	Lifting Bell Crank
233624	11570	" " " Driving Crank
208547	11570	" " " " " Link
204012C	11570	" " " " " Position Screw
200383	10246	Lifting Bell Crank Driving Crank Set Screw
200996	11570	Lifting Bell Crank Stop Screw
204606	11765	" Presser Foot
200074D	11570	" " " Screw
241881	11572	Needle Bar with 200441E
241557	11570	" " Bushing
241883	-----	" " " 241557 with 241881
350164C	11578	Needle Bar Bushing Set Screw
233642	11572	" " Connecting Link
*206891	-----	" " " Stud
202329	11572	" " " " 206891 with 200086C and 202330
202330	-----	Needle Bar Connecting Stud Oil Packing (wick)
200086C	11572	Needle Bar Connecting Stud Pinch Screw

Parts for Machine No. 51w53

No.	Plate	Name
233627	11573	Needle Bar Crank with 200335c, 200383c, 200428c and 201012c
203172	11572	Needle Bar Crank Friction Washer
200428c	11572	" " " Position Screw
200335c	13302	" " " Set Screw
200141F	11572	" Set Screw
244033	---	Presser Bar (hollow)
202335	11573	" " 244033 with 200074F
241535	11572	" " Bushing
200352c	11572	" " " Set Screw
202554	11572	" " Lifter
200653c	11572	" " " Hinge Screw
233628	11574	" " Lifting Bracket with 200054E
200975F	11574	Presser Bar Lifting Bracket Guide Screw
200054E	10246	Presser Bar Lifting Bracket Pinch Screw
233634	11574	Presser Bar Position Guide
202338	11574	" " " " Lever with 200086F
200086F	11572	Presser Bar Position Guide Lever Pinch Screw
200352c	11572	Presser Bar Position Guide Set Screw
233646	11574	Presser Bar Spring
234044	11575	" " " Stop Rod
200492B	11575	" " Thumb Screw (pressure regulating)
200475B	11575	Presser Bar Thumb Screw Thumb Set Screw
202355	11575	Presser Bar Thumb Screw Thumb Set Screw Packing (brass)
241549	11575	Take-up Lever
208557	11575	" " Driving Stud with 202277
202277	---	Take-up Lever Driving Stud Oil Packing (wick)
202400	11575	Take-up Lever Hinge Stud with 202423
202423	---	Take-up Lever Hinge Stud Oil Packing (wick)
200383c	10246	Take-up Lever Hinge Stud Set Screw
208558	11575	Take-up Lever Oil Guard with 223655 and 224572

Parts for Machine No. 51w53

No.	Plate	Name
200161H	11572	Take-up Lever Oil Guard Screw
208568	11575	" " " Leader
202254	---	" " " " Packing (wick)
223655	---	Take-up Lever Oiling Felt
224572	11575	" " " " Rivet
244048	11576	Tension Disc (back)
244049	11576	" " (front)
202404	11576	" Release Plunger
233629	11576	" " Slide
208560	11576	" " " Spring
202405	11576	" " Washer
202407	10881	" Spring
200625F	11576	" Stud with 204925
200061c	11576	" " Set Screw
204925	11576	" " Washer
201572B	10881	" Thumb Nut
202409	10252	Tension complete, Nos. 200625F, 201572B, 202405, 202407, 202410, 244048 and 244049
202410	10252	Thread Controller Spring
202411	10252	" " " Stop
200132E	11575	" " " " Screw
202412	10252	" Guide
202413	10252	" "
202414	10252	" "
200397H	11576	" " Set Screw
241755	---	" Lubricator Oil Pad (felt)
241756	11576	" " " " Holder
241757	11576	" " " " Retainer
241758	11576	" " " Reservoir
241759	---	" " " Wick
350280F	11576	" " Screw
214838	11576	" " " Washer
241760	---	Thread Lubricator complete, Nos. 214838, 241755 to 241759 and 350280F
223710	11578	Thread Retainer (lower) with 200397H
241727	11578	Thread Retainer (lower) Bracket with 202108
202108	11578	Thread Retainer (lower) Bracket Position Pin
350238D	11578	Thread Retainer (lower) Bracket Screw
200583H	13304	Thread Retainer (lower) Screw
210993	11578	" " " Sleeve

Parts for Machine No. 51w53

No.	Plate	Name
223844	11578	Thread Retainer (lower) Spring
210957	11578	" " " Stud
210958	11578	" " " " Collar
200397H	11576	" " " " Set Screw
223711	—	Thread Retainer (lower) complete, Nos. 210957, 210958, 210993, 223710 and 223844
241728	—	Thread Retainer and Bracket com- plete, Nos. 223711, 241727 and two 200583H
202091	10252	Thread Retainer Sleeve
202092	10252	" " Spring
204058	10252	" " Stud
200368H	11576	" " " Set Screw
204059	—	Thread Retainer complete, Nos. 202091, 202092 and 204058
221251	13984	Throat Plate, 50 needle hole, for needle sizes 14 and 15
200577H	10245	Throat Plate Screw (2)
233979	11578	Vibrating Presser Bar
233631	11578	" " " Hinge Bracket
233632	11576	" " " Position Stop
200190D	11578	" " " " " Screw
200066D	11578	Vibrating Presser Bar Screw (2)
204493	11578	" " " Spring
206676	13042	" " Foot
200098F	13304	" " " Screw
203357	11578	" " " " Washer

ACCESSORIES

FOR MACHINES NOS. 51w51 AND 51w52

No.	Plate	Name
203208	11570	Bobbin
*225482	—	" Case Screw Driver Blade
*225483	—	" " " " Handle
225497	12345	Bobbin Case Screw Driver complete, Nos. 225482 and 225483
126 x3	—	Needles, three each, sizes 12 and 14
228213	—	Drip Pan with four 1 in. wire nails
41400	12345	Machine Rest Pin (wood)
120342	12345	Oiler (copper plated) with 120343
120343	12345	" Spout (3 1/2 in. long)
*225484	—	Screw Driver Blade
*225485	—	" " Handle
225498	12345	Screw Driver complete (7 1/2 in. long), Nos. 225484 and 225485
225554	12345	Wrench (steel)

BOBBIN WINDER

Swing Automatic, Right Hand

225453	10884	Frame with 202277 and 225438
225454	10884	" Hinge Pin
202277	—	" Oil Packing (wick)
225438	10884	" " Well Cap
225455	10884	" Spring
225456	10884	" " Plunger
202473	10885	Pulley with 200380
200380	11578	" Set Screw
225381	10884	Spindle
225444	10884	Stop Latch
200056D	10884	" " Screw
225458	10884	" " Thumb Lever
225459	10884	" " " " Hinge Stud
225459	10884	" " " " Joint Stud
202478	10884	" " Trip Lever
200299H	10884	" " " " Hinge Screw
225461	10881	Tension Bracket with 201499b
200082D	10881	" " Screw
228026	10881	" " " Washer
2102	10881	" Disc
202407	10881	" Spring
201499b	10881	" Stud
201572b	10881	" " Thumb Nut

Accessories

No.	Plate	Name
225462	10881	Bobbin Winder Tension Bracket complete, Nos. 201572B, 202407, 225461 and two 2102
225433	10885	Bobbin Winder and Tension Bracket Base
225382	10885	Universal Bobbin Winder complete, Nos. 200056E, 200082D, 200299H, 202473, 202478, 225381, 225433, 225444, 225453 to 225456, 225458, 225462, 228026, two each 225459 and wood screws $\frac{3}{4}$ in., No. 12, R.H.B.

FOOT LIFTER

227952	13986	Foot Lifter Lever (left or right) with 227954
227678	13986	Foot Lifter Lever Chain, 48 in. long, with 202784
227954	11578	Foot Lifter Lever Chain Hook (lower)
202784	11578	Foot Lifter Lever Chain Hook (upper)
225016	11578	Foot Lifter Lever Hinge Pin
227953	13986	" " " Stand with two wood screws 1 in., No. 12
227955	13986	Foot Lifter Lever (left or right) complete, Nos. 225016, 227678, 227952 and 227953

(Other Foot Lifter parts are listed with parts of machine head.)

FOR MACHINE No. 51w53

Same as for Machine No. 51w51 with the following exceptions:

203470	13302	Bobbin, in place of 203208
128 x 4	—	Needles, two each, sizes 11, 12 and 13, in place of 128x3 Needles, three each, sizes 12 and 14

PRESSER FEET

FOR MACHINE No. 51w51

No.	Plate	Name
229082	11577	Presser Foot
229084	11577	Presser Foot (hinged) complete, Nos. 202090, 202924 and 229083

FOR MACHINES NOS. 51w52 AND 51w53

204594	11765	Lifting Presser Foot, for 204620, 204634, 206698 and 229620
204595	11577	Lifting Presser Foot, for 204620, 204634, 206698 and 229620
204599	11765	Lifting Presser Foot, for 204620, 204634, 206698 and 229620
204605	11765	Lifting Presser Foot, for 206668, 206675, 206678, 206714 and 206719
204606	11765	Lifting Presser Foot, for 206676, 206699 and 206700
204612	11765	Lifting Presser Foot, for 204620, 204634, 206698, 206705, 206706 and 229620
206697	11765	Lifting Presser Foot, for 204620, 204634, 206698, 206701 and 229629
229625	11765	Lifting Presser Foot, for 204620, 204634, 206698, 206705, 206706 and 229620
229633	11765	Lifting Presser Foot, for 206672, 206673, 206707 and 206715 to 206717
204620	11577	Vibrating Presser Foot, for 204594, 204595, 204599, 204612, 206697 and 229625
204634	13042	Vibrating Presser Foot, for 204594, 204595, 204599, 204612, 206697 and 229625
206668	13042	Vibrating Presser Foot, for 204605
206672	13042	" " " " 229633
206673	13042	" " " " 229633
206675	13042	" " " " 204605
206676	13042	" " " " 204606
206678	13042	" " " " 204605
206698	13042	" " " " 204594, 204595, 204599, 204612, 206697 and 229625

Presser Feet

No.	Plate	Name
206699	13043	Vibrating Presser Foot, for 204606
206700	13043	" " " " 204606
206701	11765	" " " " 206697
206705	13043	" " " " 204612 and 229625
206706	13043	Vibrating Presser Foot, for 204612 and 229625
206707	13043	Vibrating Presser Foot, for 229633
206714	13043	" " " " 204605
206715	13043	" " " " 229633
206716	13043	" " " " 229633
206717	13043	" " " " 229633
206719	13042	" " " " 204605
229620	13042	" " " " 204594, 204595, 204599, 204612, 206697 and 2296625

WORK PLATE PLATFORM

213855	11772	Work Plate
200019E	11578	" " Arm Screw
202622	11578	" " " " Washer
213856	11772	" " Bracket
200189c	11578	" " " Screw
200189c	11578	" " " Screw
213857	11772	" " Slide (back)
203301	11772	" " " (front)
213858	11772	Work Plate complete, Nos. 200019E, 202622, 203301, 213855 to 213857 and four 200189c

WOOD BASE (FLAT)

No.	Plate	Name
227493	12345	Bed Hinge Plate 202259 with two wood screws $\frac{3}{4}$ in., No. 12u
225589	---	Machine Cushion (leather)
227902	---	Wood Base with two 227493, four each 225589 and wood screws $1\frac{1}{4}$ in., No. 10

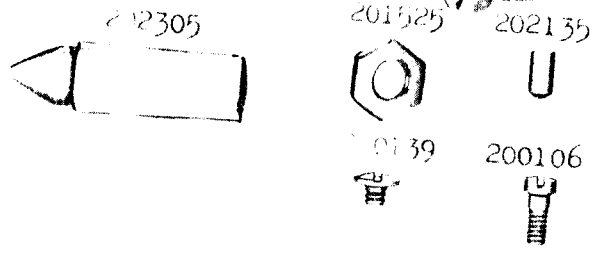
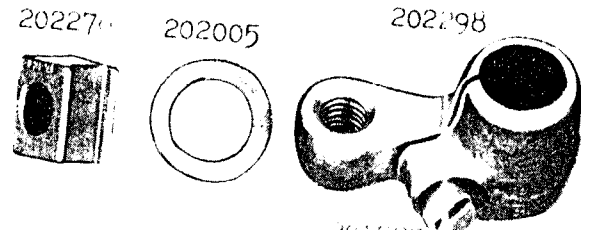
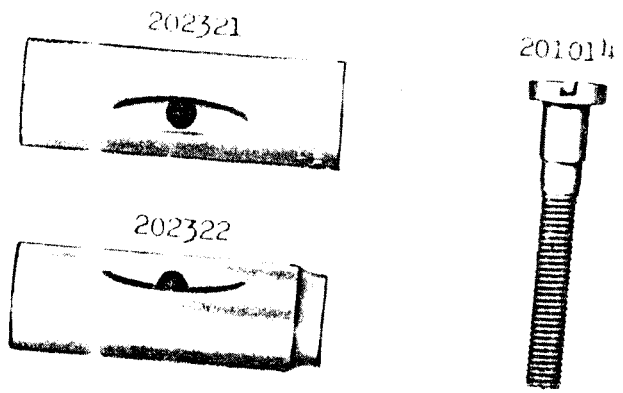
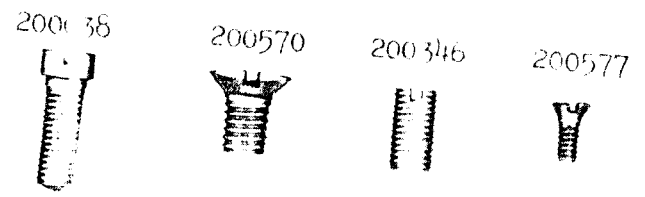
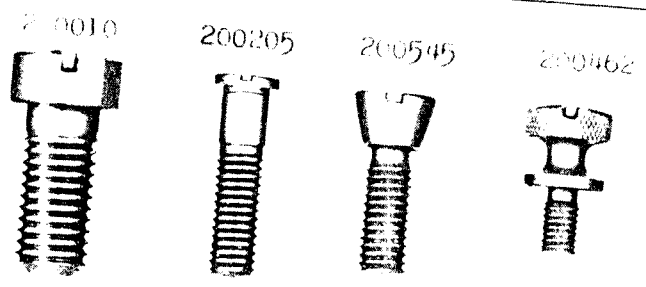
WOOD BASE (OBLIQUE)

227903	---	Wood Base with two 227493, four 225589 and nine wood screws $1\frac{1}{4}$ in., No. 10
--------	-----	--

SINGER Needles should be used
in SINGER Machines.
These Needles and their Containers
are marked with the
Company's Trade Mark "SIMANCO." 1

Needles in Containers marked
"FOR SINGER MACHINES"
are NOT **SINGER** made needles. 2

PLATE 10245 - FULL SIZE



SINGER Needles should be used
in SINGER Machines.
These Needles and their Containers
are marked with the
Company's Trade Mark "SIMANCO.*" 1

Needles in Containers marked
"FOR SINGER MACHINES"
are NOT **SINGER** made needles. 2

PLATE 10246 - FULL SIZE

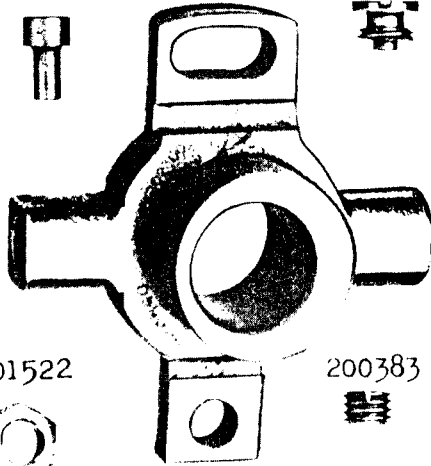
200641



202301



202300



200607



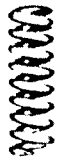
201522



200383



202595



200429



200054



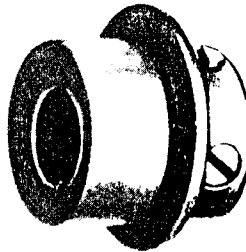
202446



200502



202307



200043

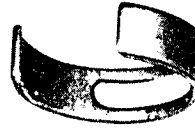


200437

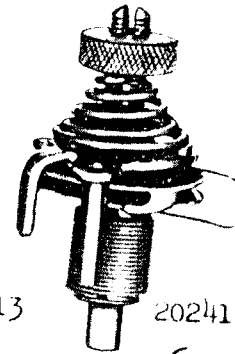


PLATE 10252 - FULL SIZE

202411



202409



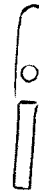
202979



202412



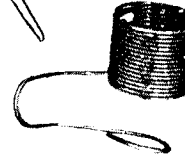
202413



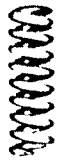
202414



202415



202595



200429



200054



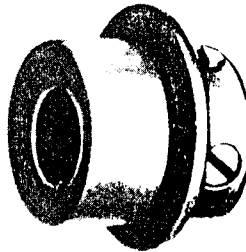
202446



200502



202307



200043



200437



202417



204058



202415



200355



200389



202091



202092



200582



200366



PLATE 10881-FULL SIZE

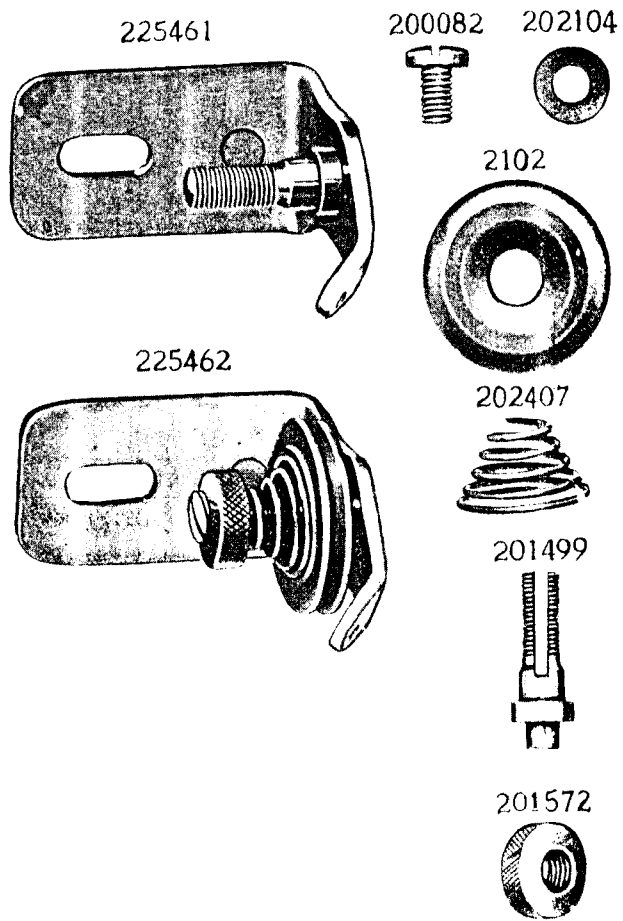


PLATE 10884-FULL SIZE

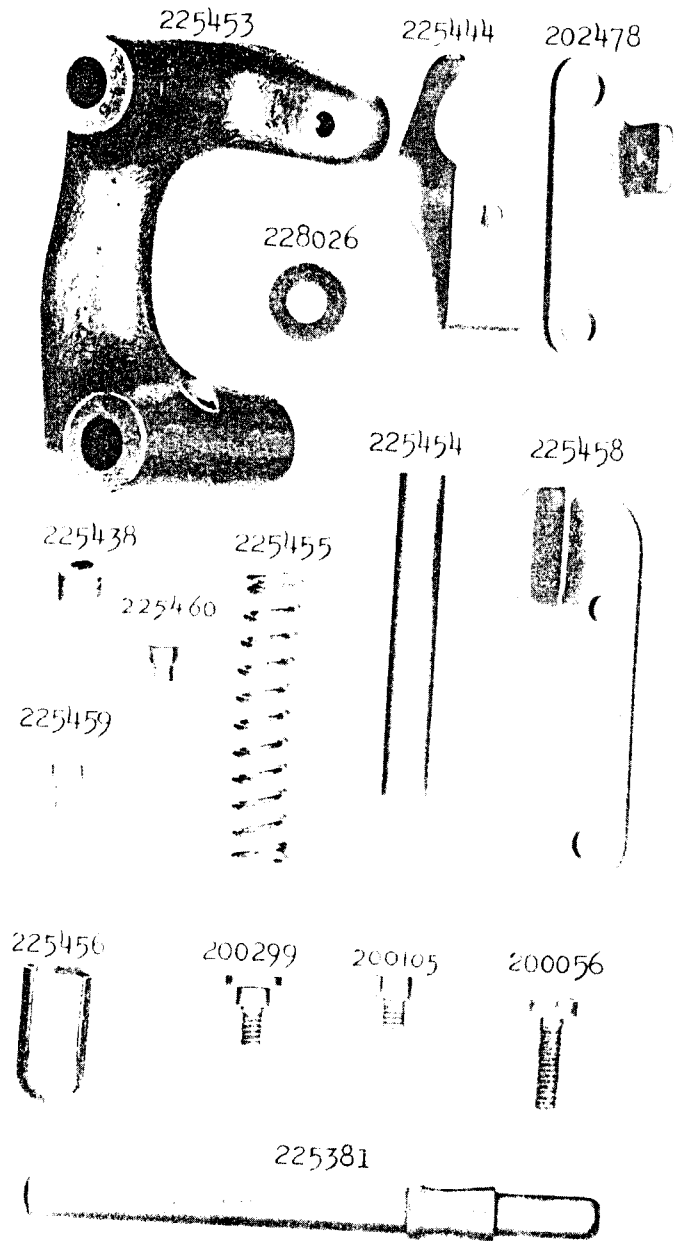


PLATE 10885—ONE-FOURTH SIZE

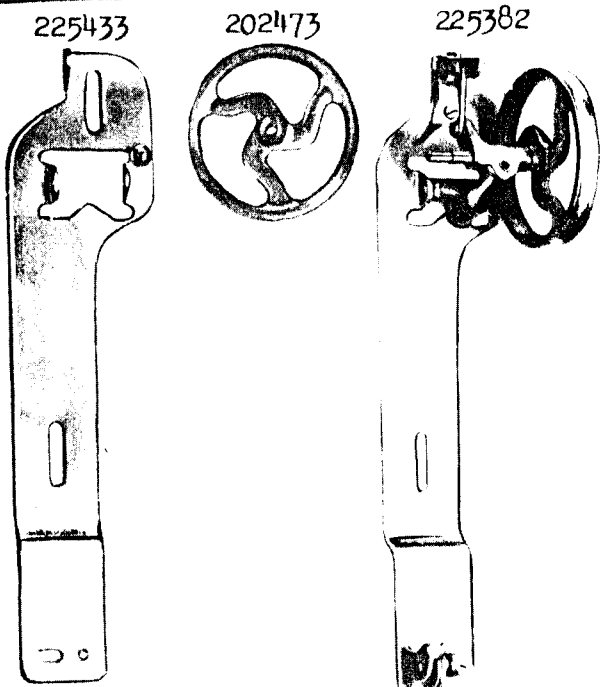


PLATE 11570—FULL SIZE

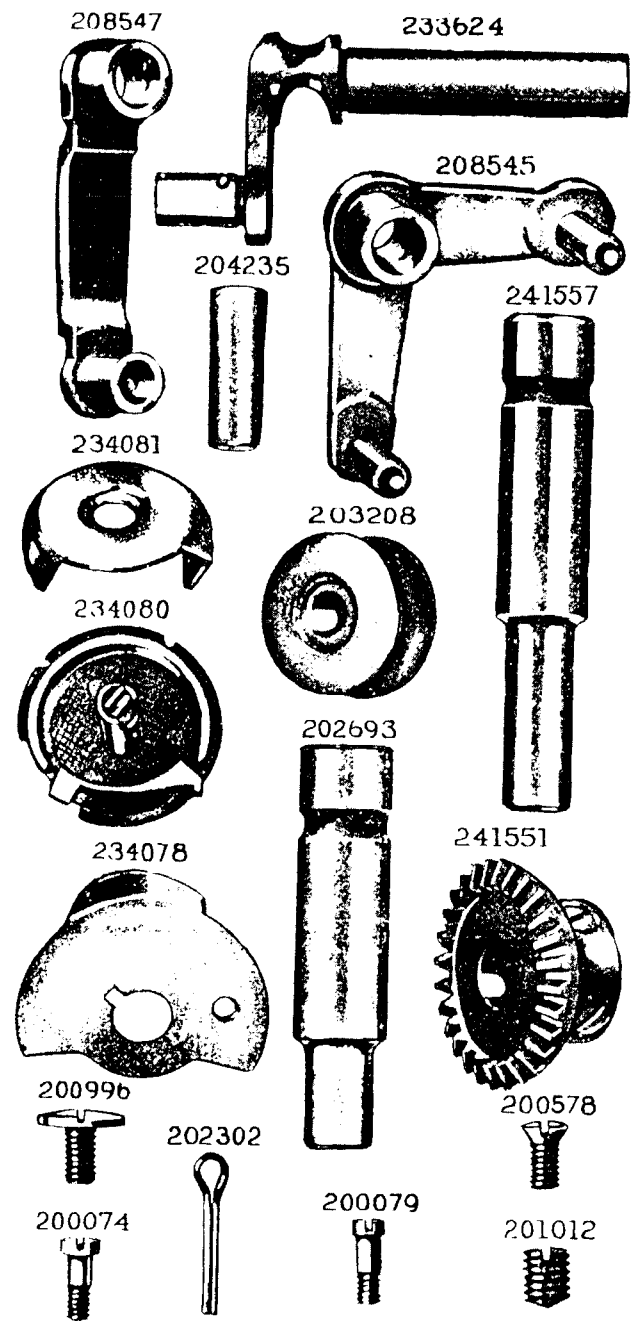


PLATE 11571—ONE-FOURTH SIZE

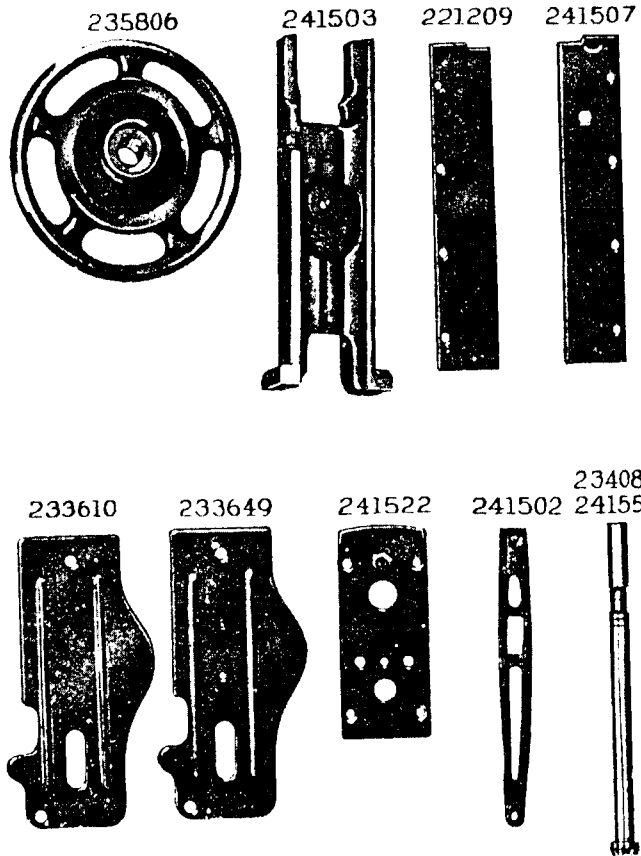


PLATE 11572—FULL SIZE

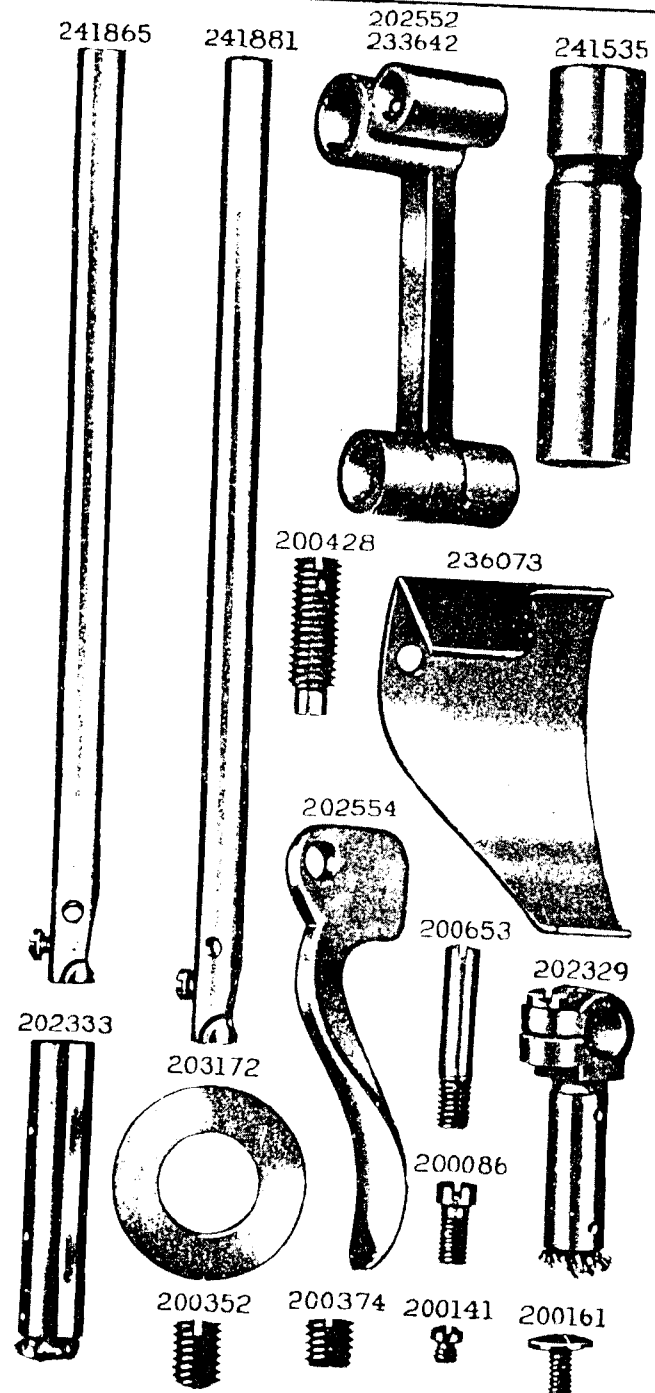


PLATE 11573—ONE-HALF SIZE

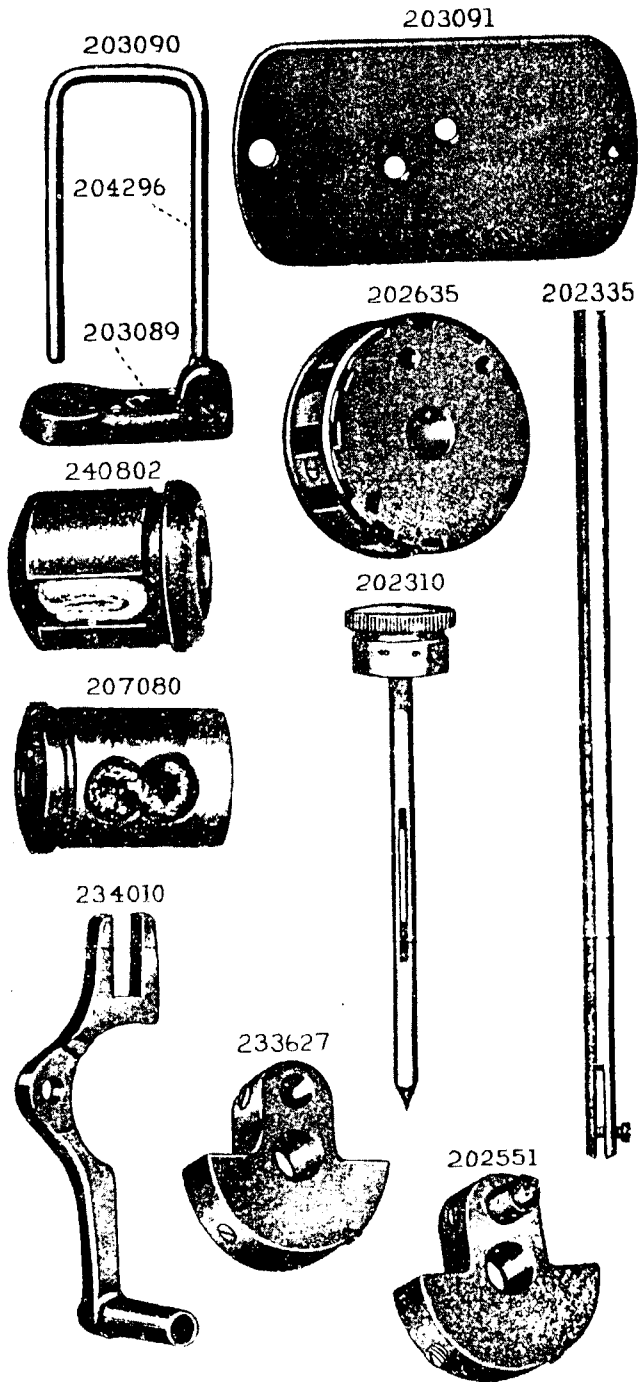


PLATE 11574—FULL SIZE

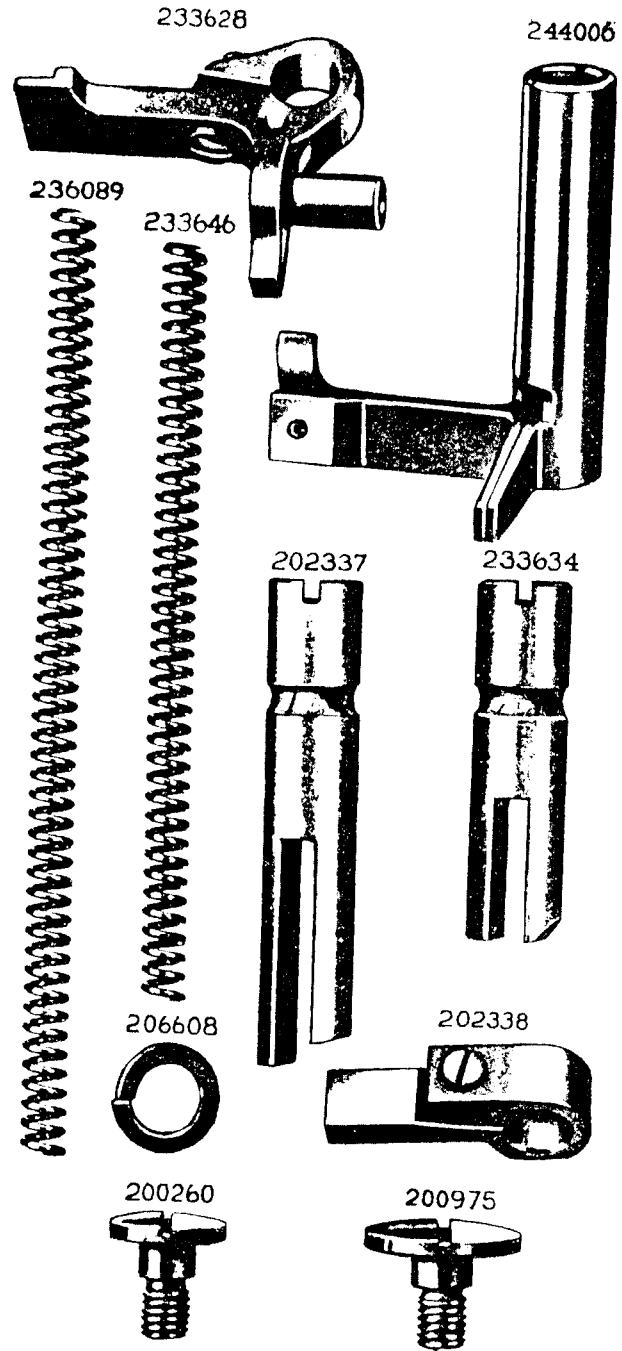


PLATE 11575—FULL SIZE

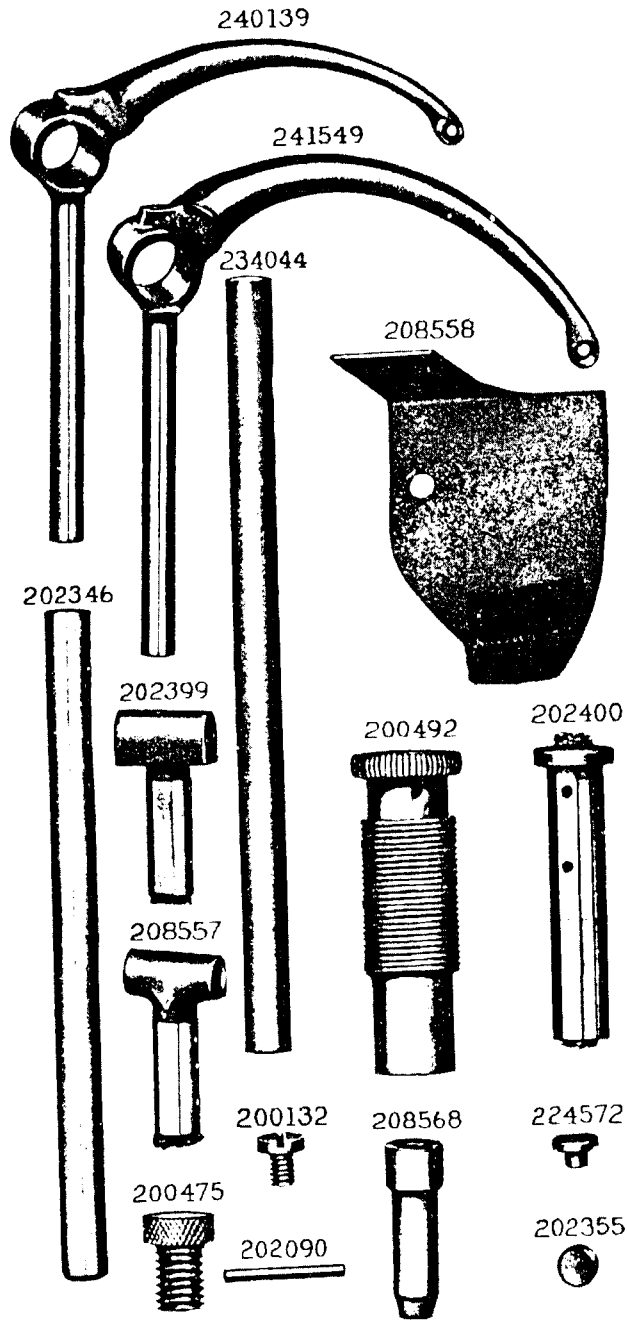


PLATE 11576—FULL SIZE

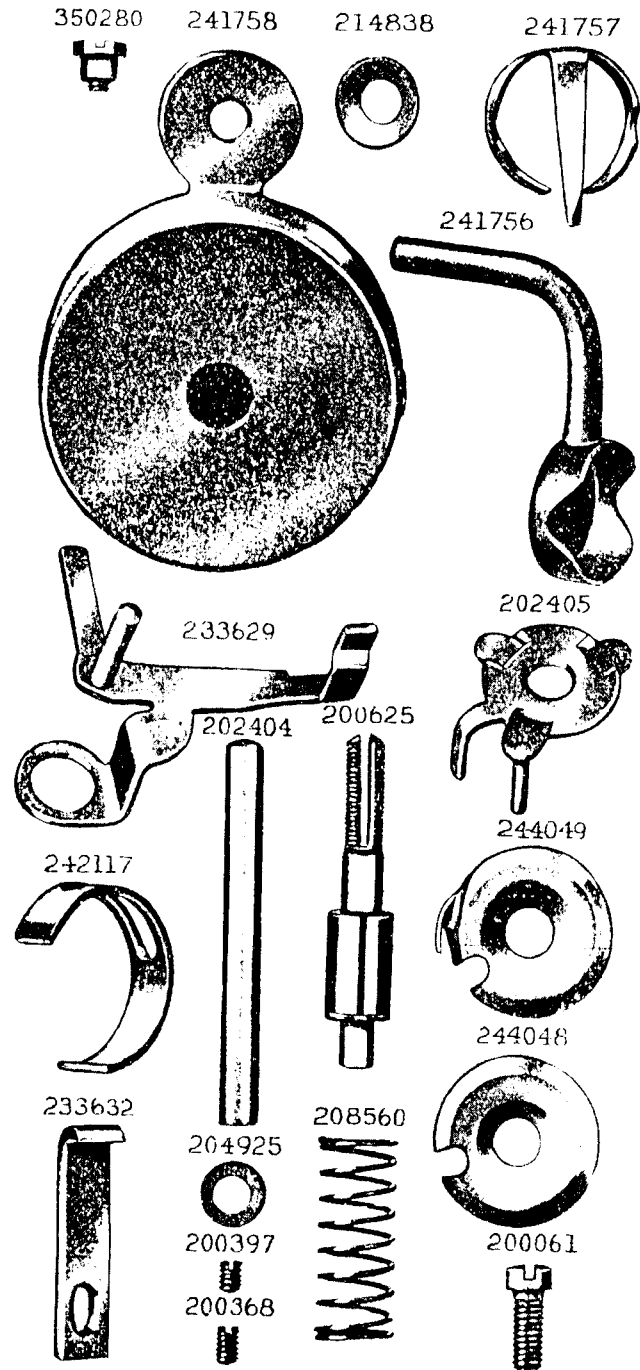


PLATE 11577—FULL SIZE

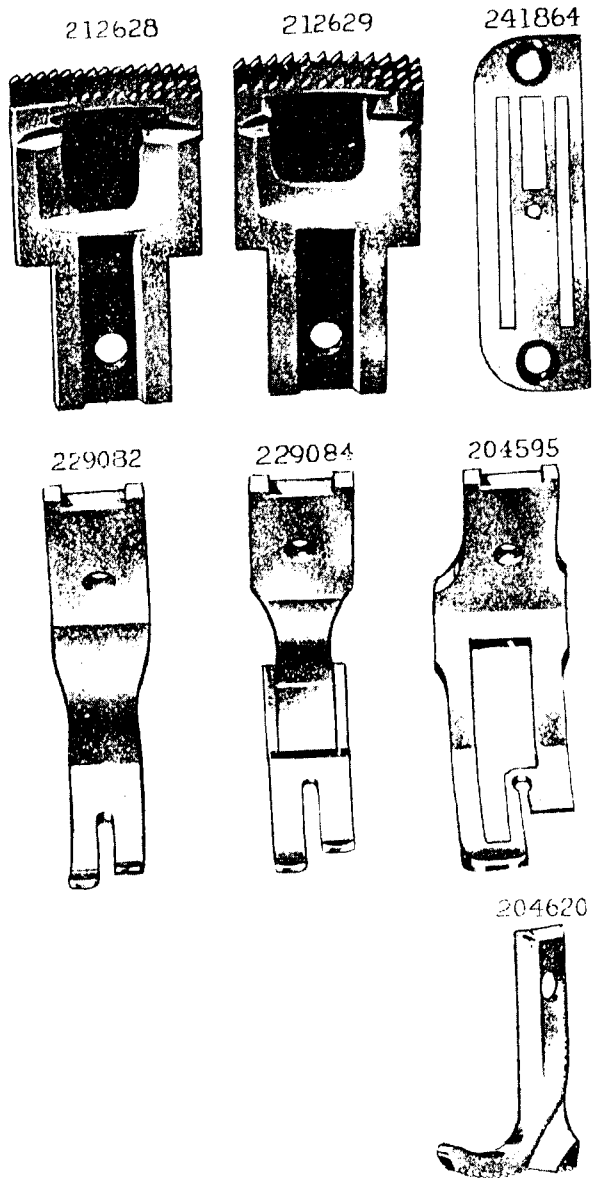


PLATE 11578—FULL SIZE

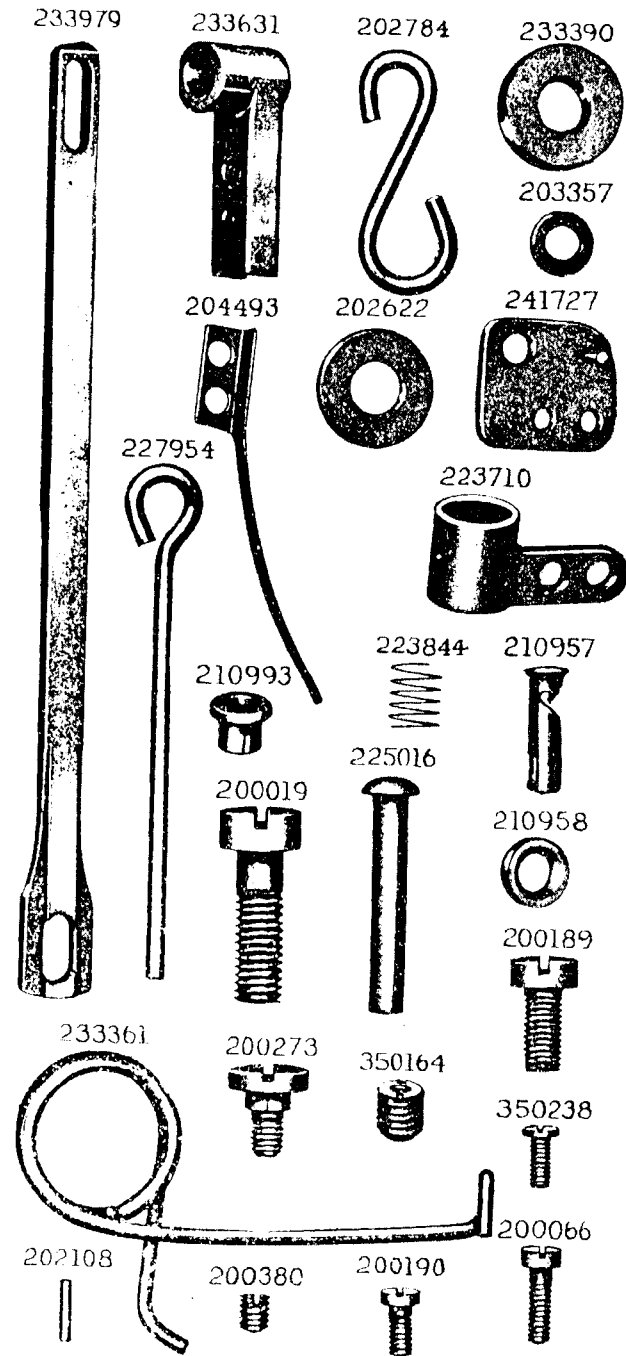


PLATE 11765—FULL SIZE

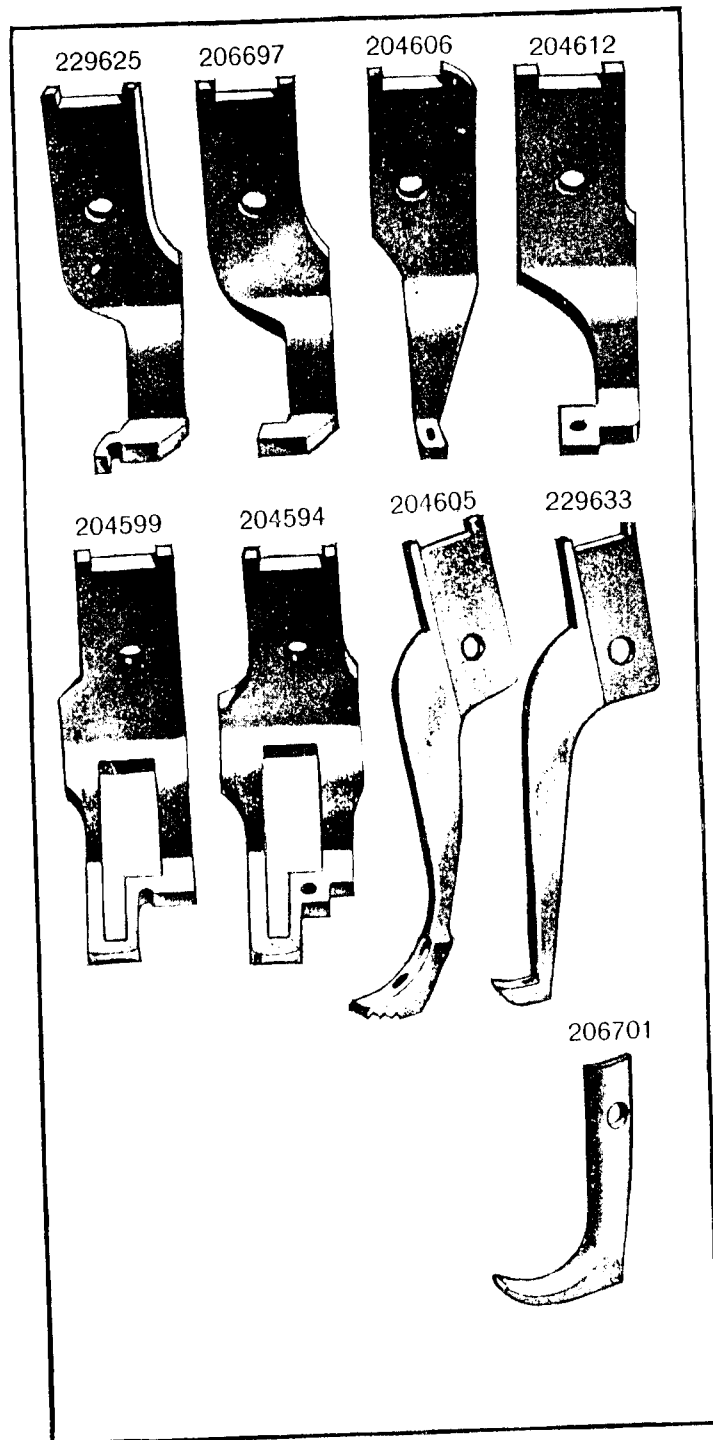


PLATE 11772—ONE-FOURTH SIZE

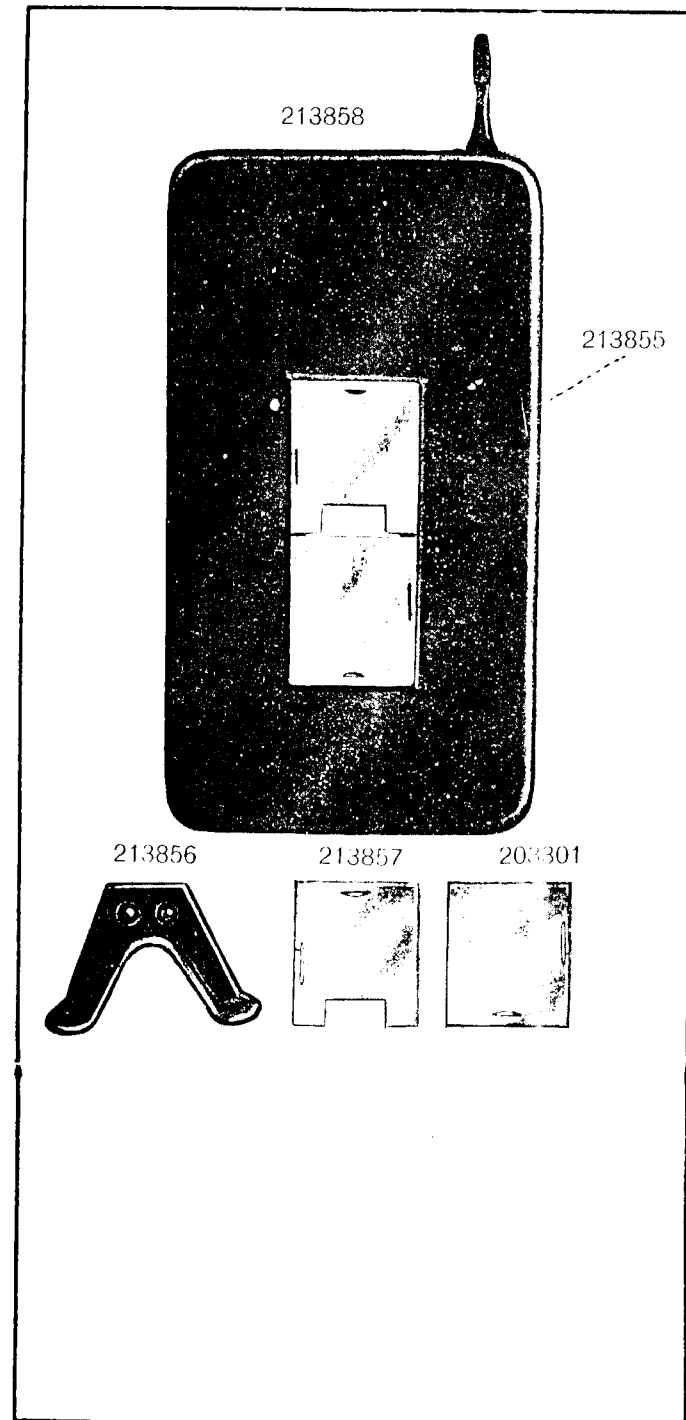


PLATE 12345-ONE-HALF SIZE

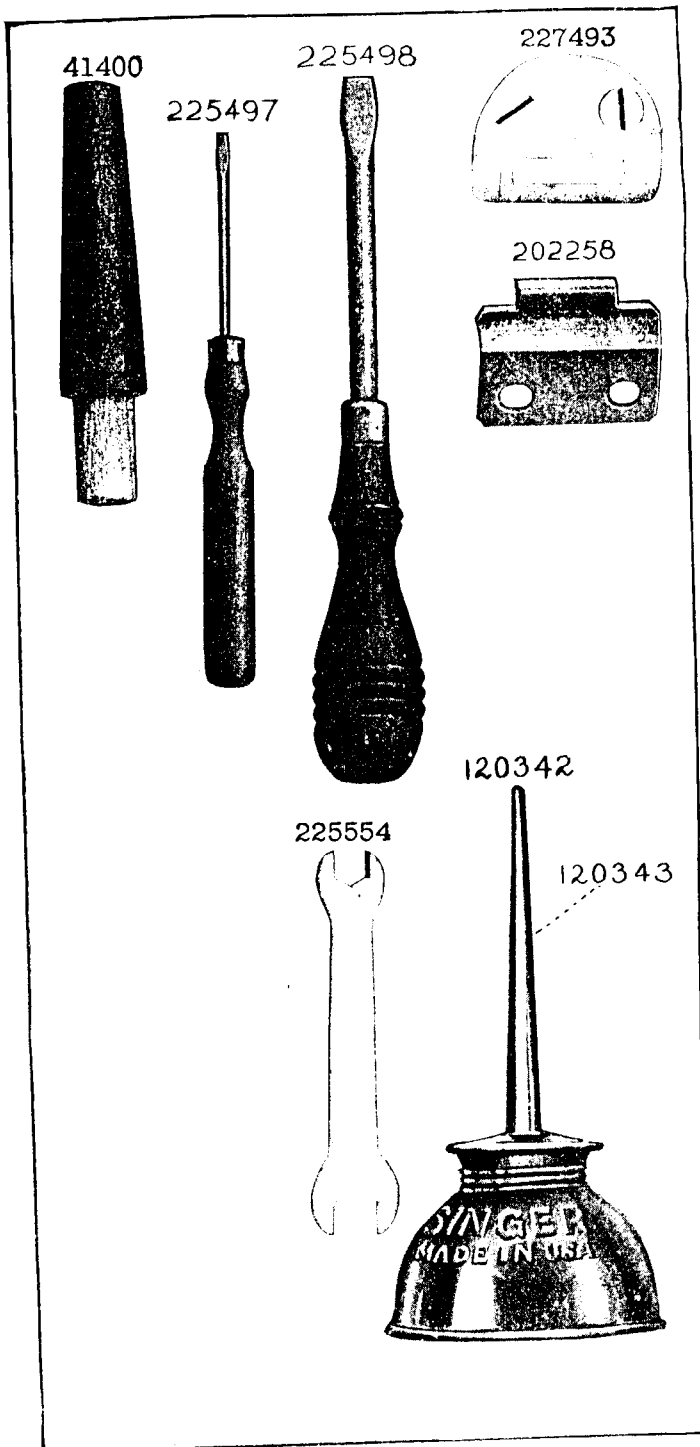


PLATE 13042 -FULL SIZE

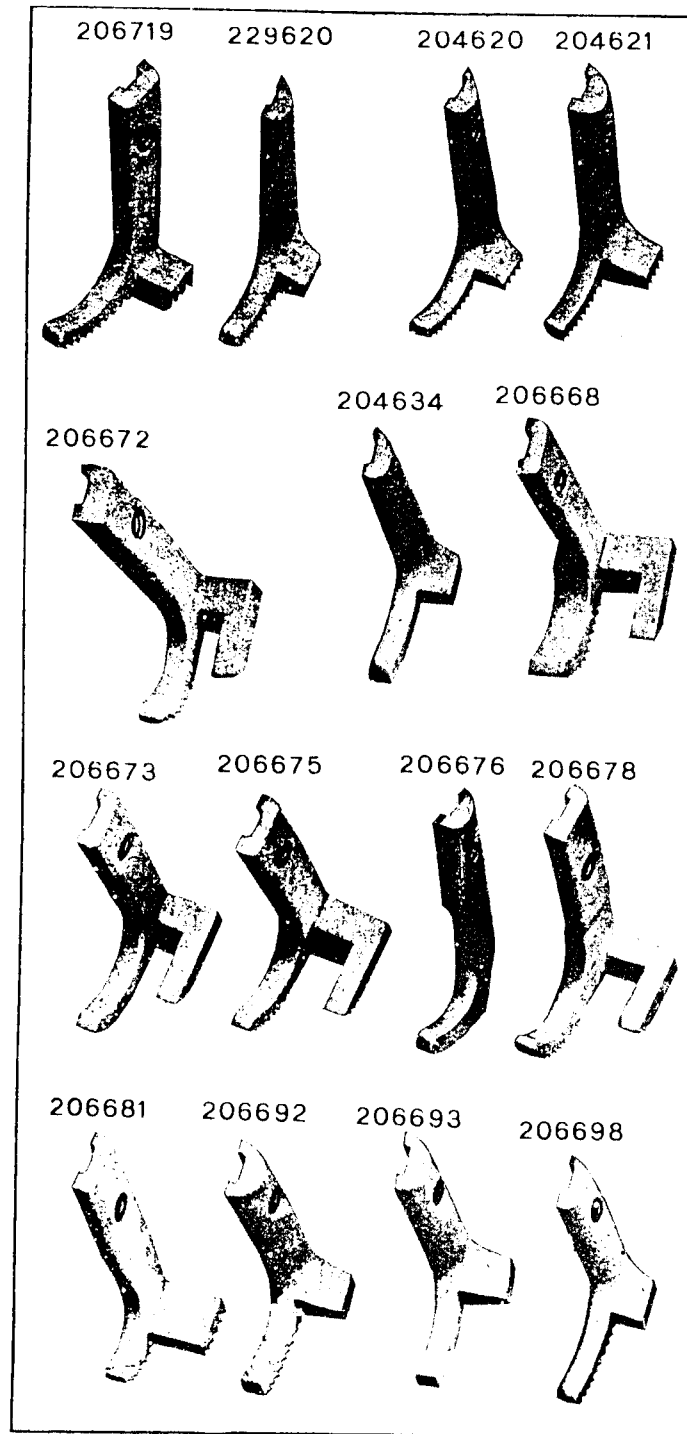


PLATE 13043 - FULL SIZE

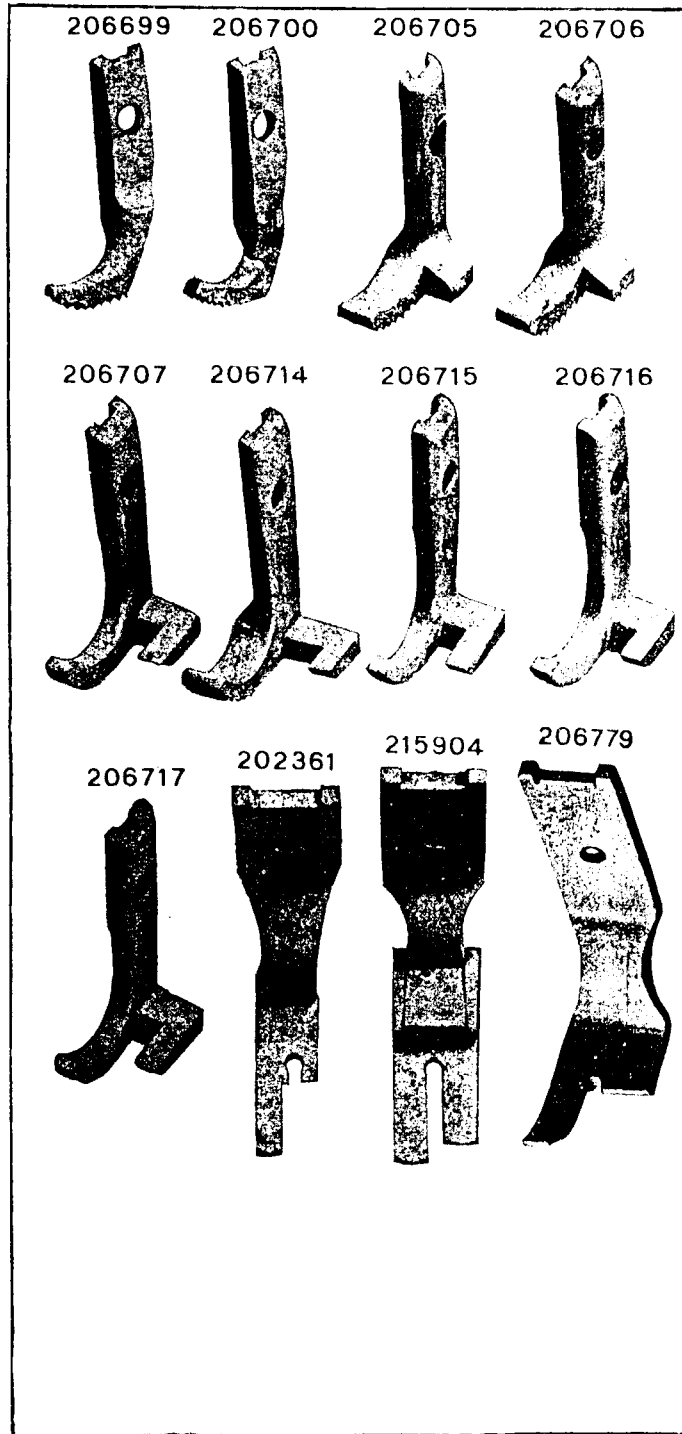


PLATE 13301 - ONE-FOURTH SIZE

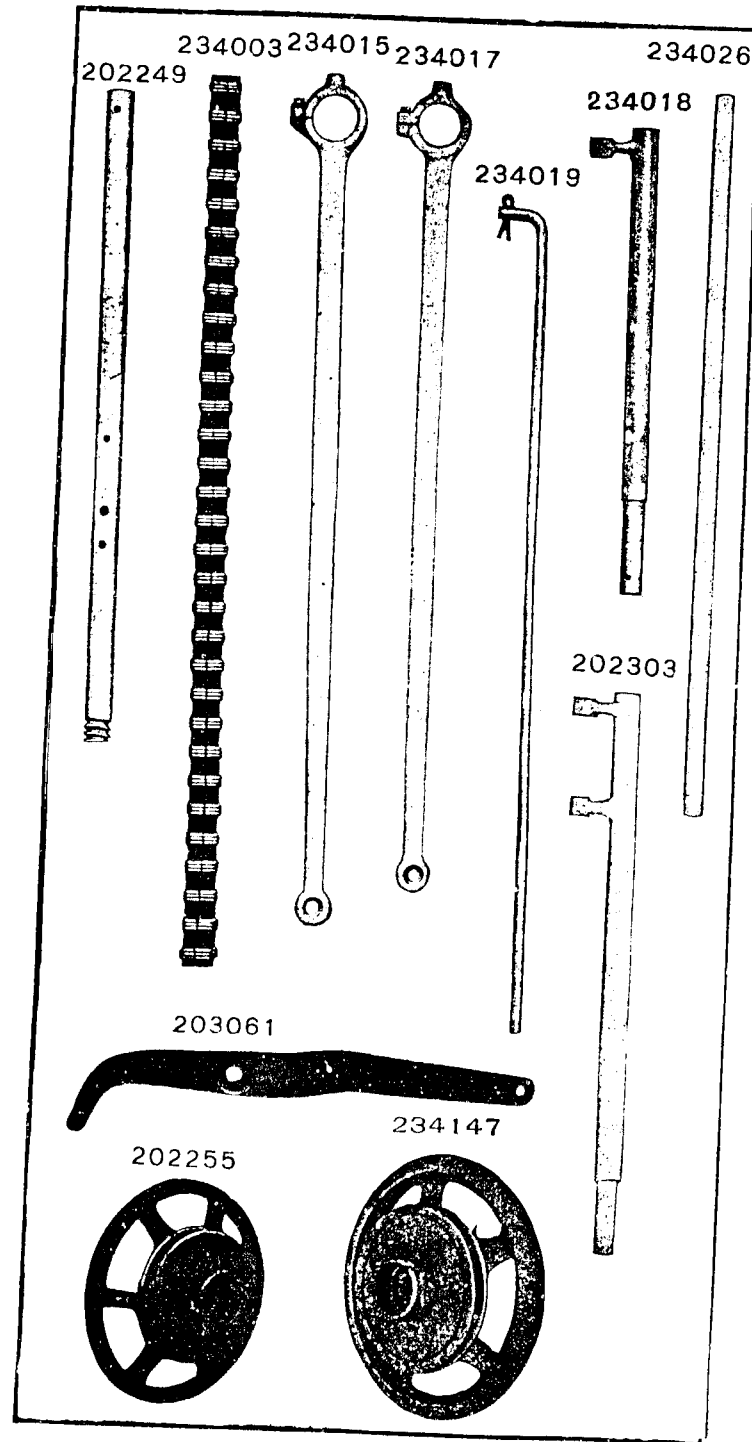


PLATE 13302-FULL SIZE

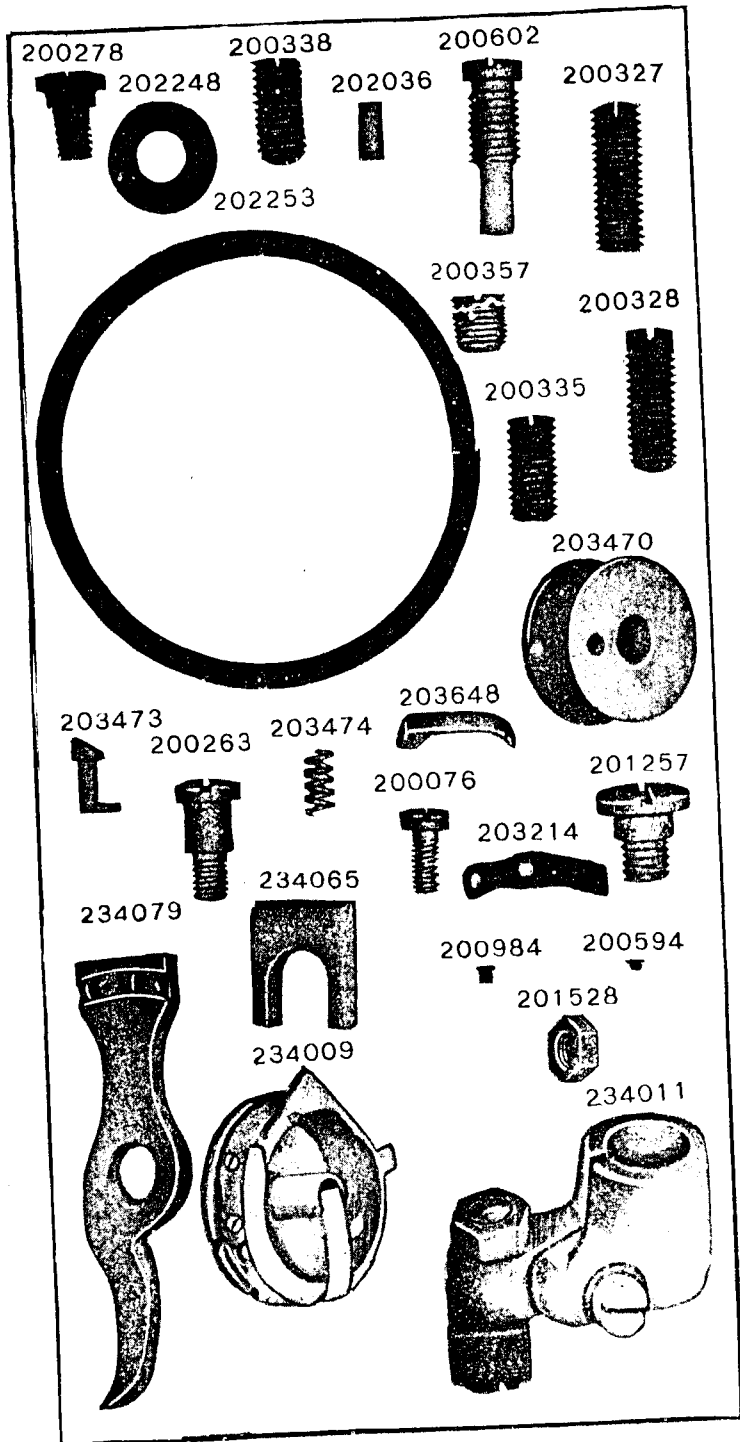


PLATE 13304-FULL SIZE

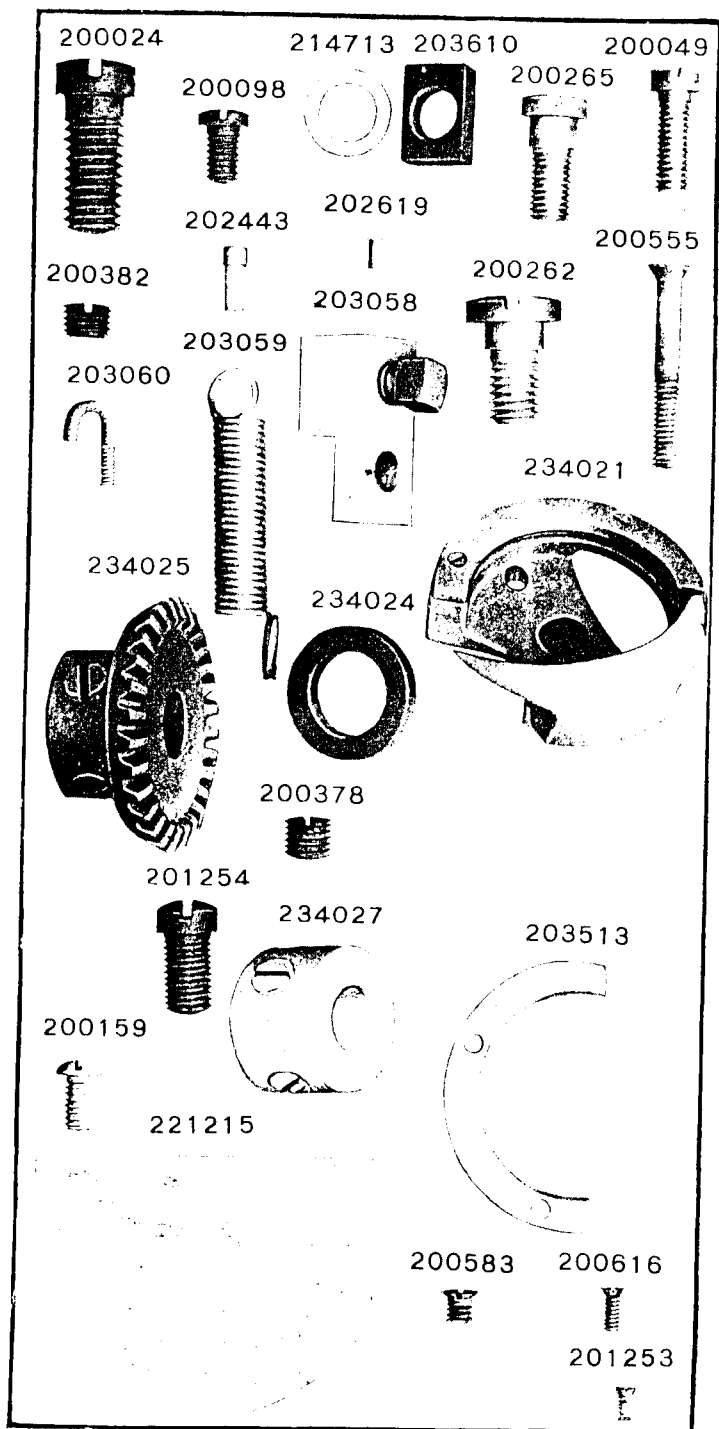


PLATE 13306-ONE-HALF SIZE

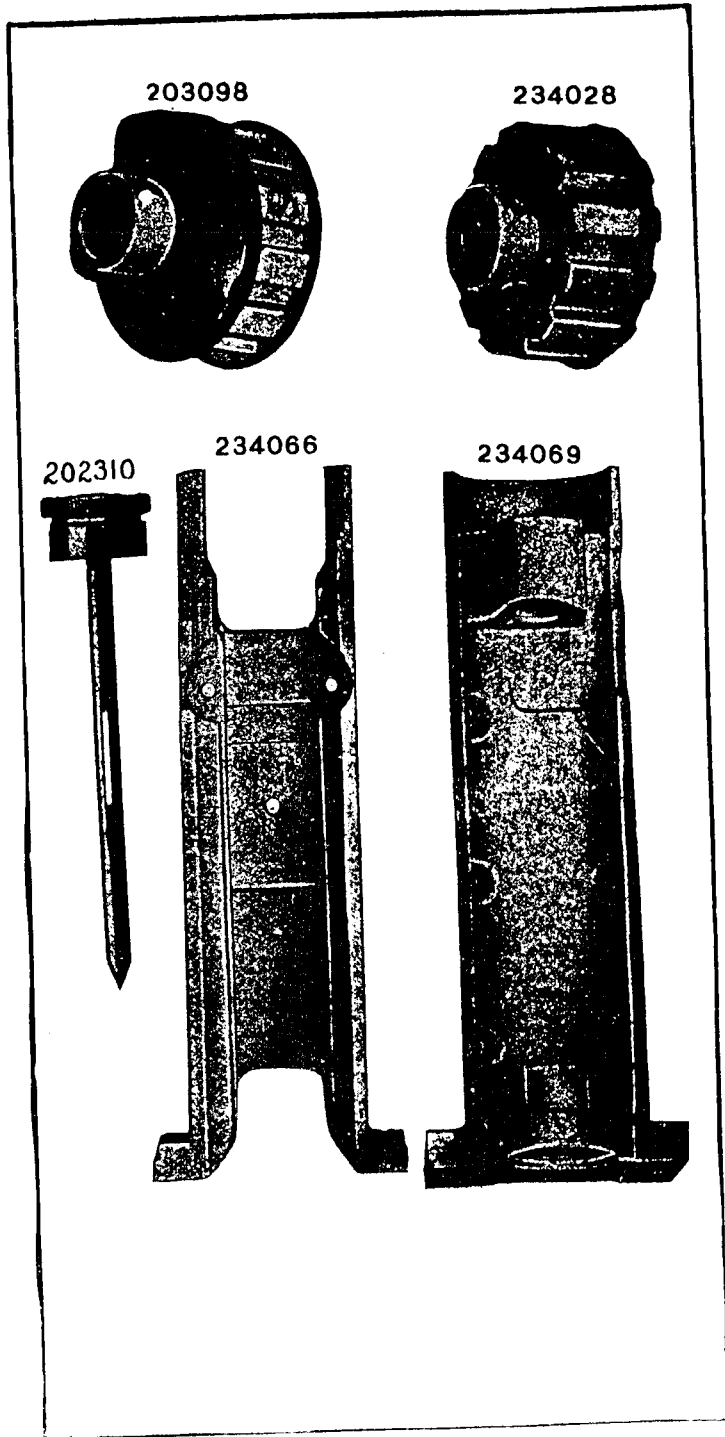


PLATE 13984-FULL SIZE

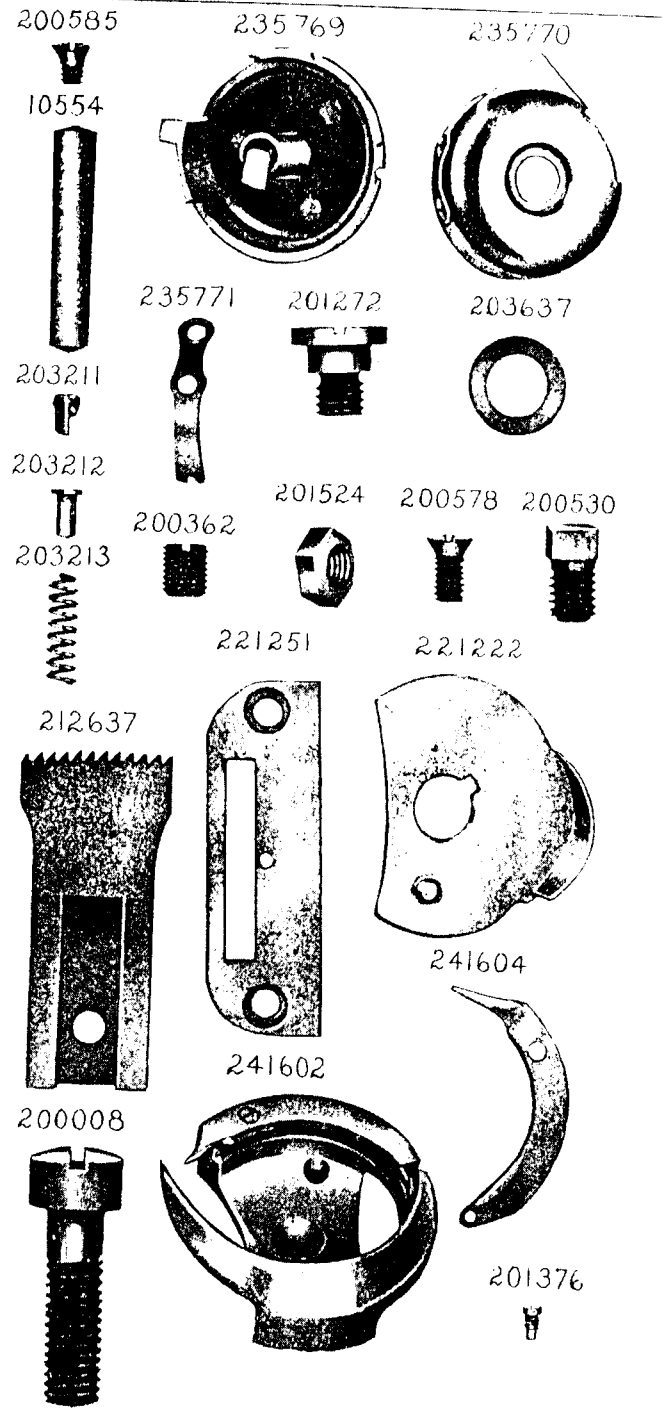


PLATE 13986—ONE-FOURTH SIZE

