

SINGER
18U122

MACHINE PARTS CHART
for
SINGER*

18U122

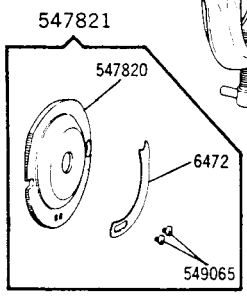
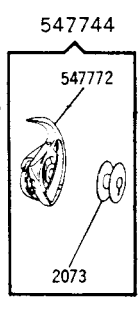
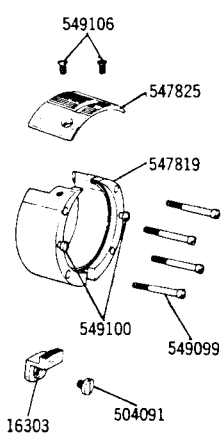
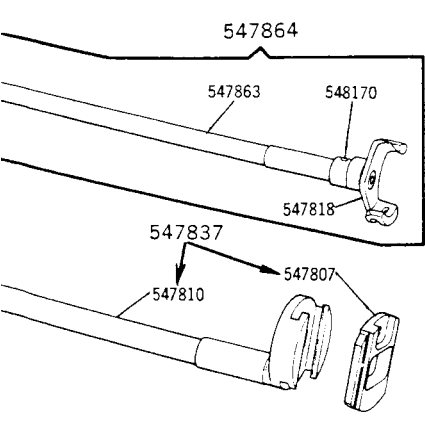
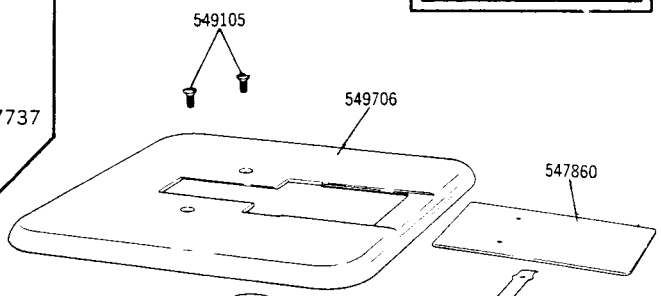
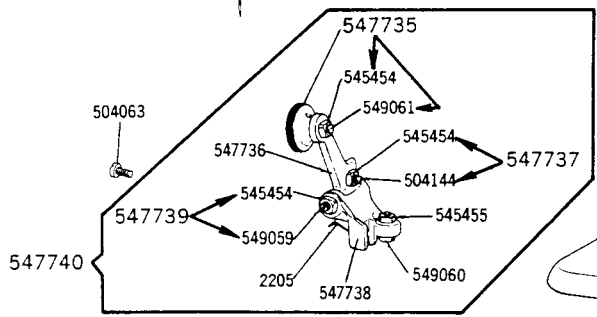
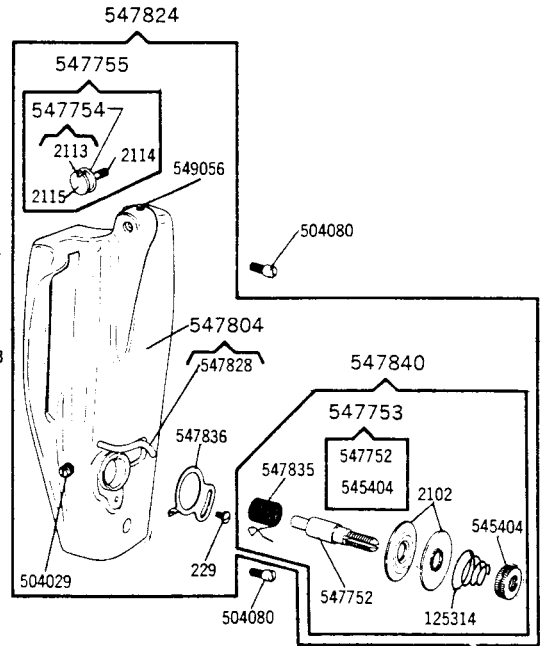
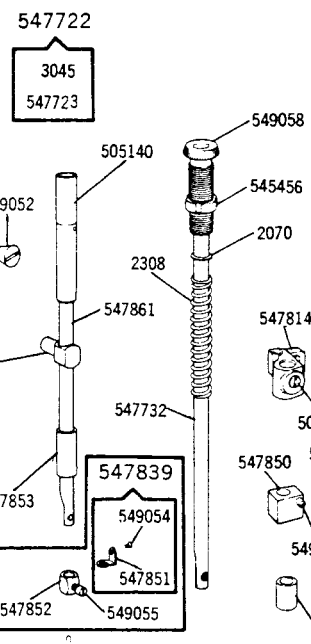
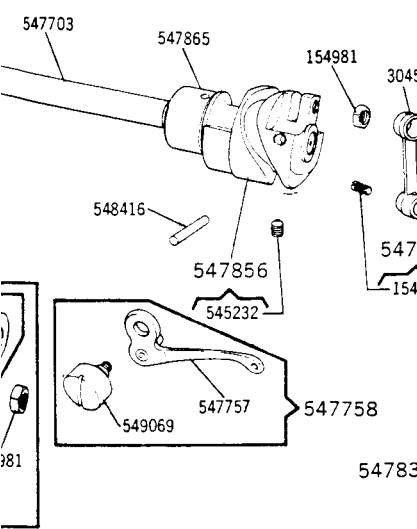
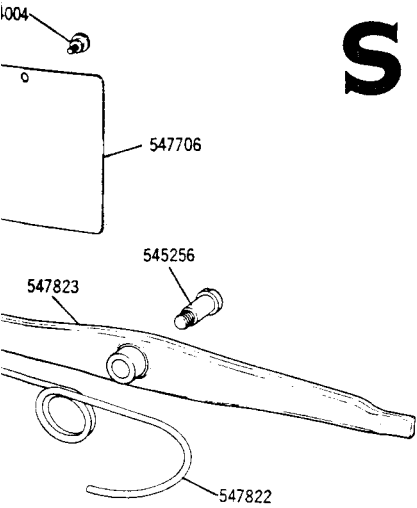
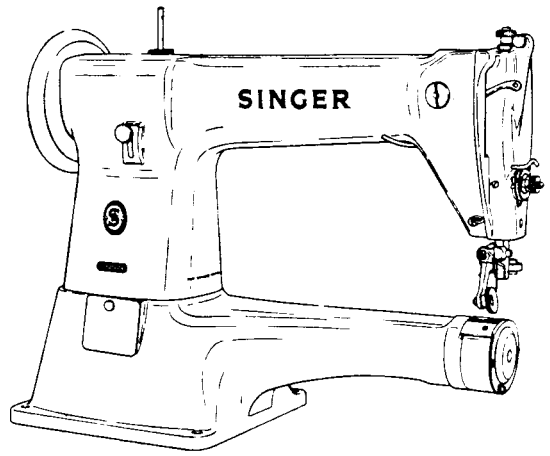
* A Trademark of THE SINGER COMPANY

© THE SINGER COMPANY 1968

Printed in Japan

SINGER*

18U122



NUMERICAL LIST OF PARTS FOR MACHINE 18U122

| PART NO. | DESCRIPTION |
|--------------|---|
| 547854 | Presser Bar Bushing |
| 547855 | Cylinder Side Cover |
| 547856 | Thread Take-up Cam with 545232 (833) |
| 547861 | Needle Bar (hollow) |
| 547862 | Arm Shaft Counterbalance |
| 547863 | Oscillating Shaft |
| 547864 | Oscillating Shaft 547863 with 547774, 547818 and 548170 |
| 547865 | Arm Shaft Bushing (front) |
| 547961 | Belt Safety Guard Shaft |
| 548170 | Oscillating Shaft Crank Pin |
| 548170 | Shuttle Driver and Feed Lifting Cam Pin |
| 548416 | Thread Take-up Cam Pin |
| 549051 (803) | Feed Rock Shaft Crank Position Screw |
| 549052 (803) | Needle Bar Connecting Link Hinge Screw |
| 549054 (851) | Needle Clamp Thread Guide Screw |
| 549055 (858) | Needle Clamp Screw |
| 549056 (833) | Thread Retaining Stud Set Screw |
| 549057 (810) | Presser Bar Lifter Hinge Screw |
| 549058 (851) | Pressure Regulating Thumb Screw |
| 549059 (810) | Roller Arm Screw Center (2) |
| 549060 (810) | Roller Arm Lock Spring Screw |
| 549061 (810) | Roller Screw |
| 549065 (810) | Shuttle Race Cap Latch Screw (2) |
| 549069 (851) | Thread Take-up Lever Hinge Screw |
| 549074 (803) | Feed Regulator Hinge Screw |
| 549083 (809) | Oscillating Shaft Crank Slide Block Cap Screw |
| 549087 (851) | Feed Regulator Thumb Screw |
| 549099 (810) | Shuttle Race Screw (4) |
| 549100 (810) | Shuttle Race Cap Screw (2) |
| 549102 (810) | Tension Releaser Hinge Screw |
| 549103 (810) | Tension Releaser Collar Screw Pin |
| 549106 (806) | Throat Plate Screw (2) |
| 549147 (803) | Presser Bar Lifter Bracket Lifting Plate Set Screw (2) |

ACCESSORIES

| | |
|--------------|--|
| 6053 | Drip Pan |
| 549071 (809) | Machine Bolt (4) |
| 547766 | Machine Bolt 549071 (809) with 545464 (809) and 6055 |
| 545464 (809) | Machine Bolt Nut (4) |
| 6055 | Machine Bolt Washer (4) |
| 2083 (16×2) | Needle (6) |
| PN 962 | Oiler (filled with Singer Type "B" Oil) |
| 2180 | Presser Foot |
| PN 963 | Screw Driver (large) |
| PN 964 | Screw Driver (small) |
| 2073 | Shuttle Bobbin (4) |
| 4918 | Wrench (for 545456) |
| 547930 | Wrench (for 154981) |
| 547846 | Wrench (for 545454 and 545455) |

KNEE LIFTER PARTS

| PART NO. | DESCRIPTION |
|--------------|---|
| 547829 | Presser Bar Lifter Lever Chain |
| 505397 | Rock Shaft |
| 547830 | Rock Shaft complete, Nos. 505397, 547832, 547833, two each 505651 and 505398 and four Wood Screws (1 in., No. 10) |
| 505398 | Rock Shaft Hanger (2) |
| 547831 | Rock Shaft Knee Arm |
| 547832 | Rock Shaft Knee Arm complete, Nos. 504510 (809), 547831, 505400 and 505402 |
| 504510 (809) | Rock Shaft Knee Arm Clamping Nut |
| 505400 | Rock Shaft Knee Arm Hub with 504105 (809) |
| 504105 (809) | Rock Shaft Knee Arm Hub Set Screw |
| 505402 | Rock Shaft Knee Plate with 504105 (809) |
| 504105 (809) | Rock Shaft Knee Plate Set Screw |
| 547833 | Rock Shaft Lifting Bracket with 6338 and two 504105 (809) |
| 6338 | Rock Shaft Lifting Bracket Hook |
| 504105 (809) | Rock Shaft Lifting Bracket Hook Set Screw |
| 504105 (809) | Rock Shaft Lifting Bracket Set Screw |
| 505651 | Rock Shaft Stop Dog with 504105 (809) |
| 504105 (809) | Rock Shaft Stop Dog Set Screw (2) |

BOBBIN WINDER

| | |
|--------------|--|
| 547845 | Universal Bobbin Winder complete, Nos. 545968, 545969, 545976, 547867, 547868, 547869, 547870, 547872, 547874, 547876, 547878, 547879, 547881, 547883, 549201 (819), 549202 (819), 549206 (819), 549207 (819) and two 547880 with two 5.5×19 Wood Screws |
| 547867 | Bobbin Winder and Tension Bracket Base |
| 547868 | Bobbin Winder Brake |
| 547869 | Bobbin Winder Brake Clamp |
| 549202 (819) | Bobbin Winder Brake Clamp Screw |
| 547870 | Bobbin Winder Frame with 547871 and 547873 |
| 547871 | Bobbin Winder Frame Felt |
| 547872 | Bobbin Winder Frame Hinge Stud |
| 547873 | Bobbin Winder Frame Oil Cup |
| 545968 | Bobbin Winder Frame Spring |
| 545969 | Bobbin Winder Frame Spring Plunger |
| 547874 | Bobbin Winder Pulley with 549204 (819) |
| 549204 (819) | Bobbin Winder Pulley Set Screw |
| 547875 | Bobbin Winder Spindle |
| 547876 | Bobbin Winder Spindle 547875 with 547877 |

| PART NO. | DESCRIPTION |
|--------------|--|
| 547877 | Bobbin Winder Spindle Spring |
| 547878 | Bobbin Winder Stop Latch |
| 549206 (819) | Bobbin Winder Stop Latch Screw |
| 547879 | Bobbin Winder Stop Latch Thumb Lever |
| 547880 | Bobbin Winder Stop Latch Thumb Lever Hinge Stud (2) |
| 547881 | Bobbin Winder Stop Latch Trip Lever |
| 549207 (819) | Bobbin Winder Stop Latch Trip Lever Hinge Screw |
| 547882 | Bobbin Winder Tension Bracket with 547884 |
| 547883 | Bobbin Winder Tension complete, Nos. 547882, 545972, 545470 (819) and two 545975 |
| 549201 (819) | Bobbin Winder Tension Bracket Screw |
| 545976 | Bobbin Winder Tension Bracket Screw Washer |
| 545975 | Bobbin Winder Tension Disc (2) |
| 545972 | Bobbin Winder Tension Spring |
| 547884 | Bobbin Winder Tension Stud |
| 545470 (819) | Bobbin Winder Tension Stud Thumb Nut Wood Screw 5.5×19 (2) |

THREAD UNWINDER

| | |
|--------------|---|
| 505656 | Thread Unwinder (for two spools) complete, Nos. 545465 (856), 545466 (856), 545467 (856), 546727, 546728, 546729, 546730, 546734, 546735, 546736, 546738, 546740, three 549171 and two each 545468 (856), 546732, 546733, 546737, 546739 and 546741 |
| 546732 | Thread Unwinder Spool Pin (2) |
| 545468 (856) | Thread Unwinder Spool Pin Nut (2) |
| 546739 | Thread Unwinder Spool Pin Spring Washer (2) |
| 546741 | Thread Unwinder Spool Pin Washer (2) |
| 546738 | Thread Unwinder Spool Rest Bushing with 549172 (850) |
| 545466 (856) | Thread Unwinder Spool Rest Bushing Nut |
| 546736 | Thread Unwinder Spool Rest Bushing Nut Washer |
| 549172 (850) | Thread Unwinder Spool Rest Bushing Set Screw |
| 546737 | Thread Unwinder Spool Rest Felt (2) |
| 546730 | Thread Unwinder Spool Rest (for two spools) |
| 546728 | Thread Unwinder Spool Rest Rod (lower) |
| 549170 (828) | Thread Unwinder Spool Rest Rod (lower) Set Screw |
| 546729 | Thread Unwinder Spool Rest Rod (upper) |
| 545467 (856) | Thread Unwinder Spool Rest Rod (upper) Nut |
| 546727 | Thread Unwinder Spool Stand with 549170 (828) |
| 546733 | Thread Unwinder Thread Guide (2) |

NUMERICAL LIST OF PARTS FOR MACHINE 18U122

| PART NO. | DESCRIPTION | PART NO. | DESCRIPTION | PART NO. | DESCRIPTION |
|--------------|---|--------------|---|----------|--|
| 229 (809) | Thread Take-up Spring Regulator Plate Adjusting Screw | 545056 (833) | Oscillating Shaft Crank Set Screw | 547757 | Thread Take-up Lever with Roller and Roller Stud |
| 2070 | Presser Bar Spring Washer | 545232 (833) | Arm Shaft Bushing (back) Set Screw | 547758 | Thread Take-up Lever 547757 with 549069 (851) |
| 2073 | Shuttle Bobbin | 545232 (833) | Thread Take-up Cam Set Screw | 547767 | Arm Shaft Bushing (inter- mediate) |
| 2102 | Tension Disc (2) | 545236 (803) | Feed Rock Shaft Crank Set Screw | 547769 | Arm Shaft Bushing (Back) |
| 2113 | Thread Retaining Disc Steady Pin | 545256 (850) | Lifting Lever Hinge Screw | 547772 | Shuttle Body with Cover |
| 2114 | Thread Retaining Spring | 545284 (802) | Arm Shaft Screw | 547774 | Oscillating Shaft Crank com- plete, Nos. 547731, 547790, 549083 (809), 12424 and 545056 (833) |
| 2115 | Thread Retaining Stud | 545382 (850) | Machine Pulley Set Screw (2) | | Feed Rock Shaft Crank with 545236 (803) |
| 2205 | Roller Arm Lock Spring | 545404 (856) | Tension Disc Regulating Thumb Nut | 547786 | Oscillating Shaft Crank Slide Block |
| 2308 | Presser Bar Spring | 545454 (809) | Roller Arm Adjusting Screw Nut | 547790 | Oscillating Rock Shaft Oil Pad (felt) |
| 3045 | Needle Bar Connecting Link | 545454 (809) | Roller Arm Screw Center Nut (2) | 547791 | Face Plate with 547828 |
| 6472 | Shuttle Race Cap Latch | 545454 (809) | Roller Screw Nut | 547804 | Feed Regulator 547809 with 549087 (851) |
| 12424 | Oscillating Shaft Crank Slide Block Cap Screw Washer | 545455 (809) | Roller Arm Lock Spring Screw Nut | 547805 | Feed Dog Carrier |
| 16303 | Feed Dog | 545456 (851) | Pressure Regulating Thumb Screw Lock Nut | 547807 | Feed Regulator |
| 52165 | Feed Connecting Link | 547703. | Arm Shaft | 547809 | Feed Rock Shaft |
| 52239 | Arm Spool Pin and Thread Eyelet | 547704 | Arm Shaft 547703 with 547743, 547856, 548416, 547862 and 504002 (850) | 547810 | Machine Pulley (disc) with two 545382 (850) |
| 125044 | Crank Connecting Rod Oil Pad (felt) | 547706 | Arm Side Cover | 547814 | Presser Bar Lifter Bracket |
| 125314 | Tension Spring | 547707 | Crank Connecting Rod with 125044 and two 504071 (833) | 547815 | Tension Releaser |
| 139603 | Feed Regulator Hinge Screw Friction Washer | 547722 | Needle Bar Connecting Link 3045 with 547723 | 547817 | Presser Bar Lifter Bracket Lifting Plate |
| 154759 (850) | Crank Connecting Rod Hinge Screw | 547723 | Needle Bar Connecting Stud with 154777 (850) | 547818 | Shuttle Driver and Feed Lifting Cam |
| 154759 (850) | Feed Connecting Link Hinge Screw (2) | 547725 | Oscillating Rock Shaft with 547791 | 547819 | Shuttle Race |
| 154759 (850) | Feed Forked Connection Hinge Screw | 547726 | Oscillating Rock Shaft com- plete, Nos. 547725 with 547728 | 547820 | Shuttle Race Cap |
| 154777 (850) | Needle Bar Connecting Stud Set Screw | 547727 | Oscillating Rock Shaft Hinge Pin | 547821 | Shuttle Race Cap complete, Nos. 6472, 547820 and two 549065 (810) |
| 154981 (819) | Crank Connecting Rod Hinge Screw Nut | 547728 | Oscillating Rock Shaft Hinge Pin | 547822 | Lifting Lever Spring |
| 154981 (819) | Feed Connecting Link Hinge Screw Nut (2) | 547731 | Oscillating Rock Shaft Hinge Pin 547727 with 504504 (819) | 547823 | Lifting Lever |
| 154981 (819) | Feed Forked Connection Hinge Screw Nut | 547732 | Oscillating Shaft Crank with Slide Block Screw Stud | 547824 | Face Plate complete, Nos. 504029 (833), 549056 (833), 547755, 547836, 547840, 547804 and 229 (809) |
| 154981 (819) | Needle Bar Connecting Link Hinge Screw Nut | 547733 | Presser Bar | 547825 | Throat Plate |
| 504002 (850) | Arm Shaft Bushing (inter- mediate) Set Screw | 547735 | Roller with 549061 (810) and 545454 (809) | 547826 | Arm Thread Eyelet |
| 504002 (850) | Arm Shaft Counterbalance Set Screw | 547736 | Roller Arm | 547828 | Tension Thread Guard |
| 504002 (850) | Feed Cam Set Screw | 547737 | Roller Arm Adjusting Screw 504144 (810) with 545454 (809) | 547835 | Thread Take-up Spring |
| 504004 (852) | Arm Side Cover Thumb Screw | 547738 | Roller Arm Bracket | 547836 | Thread Take-up Spring Regulator Plate |
| 504004 (852) | Cylinder Side Cover Thumb Screw | 547739 | Roller Arm Screw Center 549059 (810) with 545454 (809) | 547837 | Feed Rock Shaft 547810 with 547807 |
| 504010 (853) | Arm Thread Eyelet Set Screw | 547740 | Roller Presser complete (7/8 in. fine roller) Nos. 549060 (810), 545455 (809), 547735, 547736, 2205, 547738, 547737 and two 547739 | 547838 | Needle Clamp (body) 547852 with 549055 (858) and 547839 |
| 504028 (803) | Presser Bar Lifter Bracket Set Screw | 547743 | Feed Cam with 504002 (850) | 547839 | Needle Clamp Thread Guide 547851 with 549054 (851) |
| 504029 (833) | Belt Safety Guard Set Screw (2) | 547744 | Shuttle Bobbin 2073 with 547772 | 547840 | Tension complete, Nos. 125314, 547835, 547753 and two 2102 |
| 504029 (833) | Tension Screw Stud Set Screw | 547752 | Tension Screw Stud | 547842 | Belt Safety Guard with two 504029 (833) |
| 504029 (833) | Tension Releaser Collar Set Screw | 547753 | Tension Screw Stud 547752 with 545404 (856) | 547843 | Presser Bar Lifter |
| 504063 (810) | Roller Presser Screw | 547754 | Thread Retaining Disc with 2113 | 547847 | Feed Forked Connection |
| 504064 (805) | Arm Screw (3) | 547755 | Thread Retainer Guide com- plete, Nos. 547754, 2114 and 2115 | 547848 | Feed Forked Connection com- plete, Nos. 547847, 52165, 547805 and two each 154759 (850) and 154981 (819) |
| 504071 (833) | Crank Connecting Rod Cap Screw (2) | | | 547850 | Tension Releaser Collar |
| 504080 (851) | Face Plate Screw (2) | | | 547851 | Needle Clamp Thread Guide |
| 504091 (803) | Feed Dog Screw | | | 547852 | Needle Clamp (body) |
| 504101 (830) | Belt Safety Guard Shaft Set Screw | | | 547853 | Needle Bar Bushing (lower) |
| 504144 (810) | Roller Arm Adjusting Screw | | | | |
| 504504 (819) | Oscillating Rock Shaft Hinge Pin Lock Nut | | | | |
| 505001 | Arm Dowel Pin (2) | | | | |
| 505008 | Arm Spool Pin Washer (felt) | | | | |
| 505140 | Needle Bar Bushing (upper) | | | | |

NUMERICAL LIST OF PARTS FOR MACHINE 18U122

| PART NO. | DESCRIPTION |
|--------------|--|
| 545465 (856) | Thread Unwinder Thread Guide Lock Nut |
| 546740 | Thread Unwinder Thread Guide Lock Nut Spring Washer |
| 546734 | Thread Unwinder Thread Guide Position Cup |
| 546735 | Thread Unwinder Thread Guide Rod Washer |
| 549171 | Wood Screw 1" No. 10 (3) |

CLOTH PLATE

| | |
|--------------|---------------------------------------|
| 549706 | Cloth Plate ✓ |
| 547857 | Cloth Plate Bracket |
| 547858 | Cloth Plate Bracket Set Screw |
| 549105 (853) | Cloth Plate Screw (2) |
| 547860 | Cloth Plate Slide |
| 547849 | Cloth Plate Slide Spring |
| 549148 (832) | Cloth Plate Slide Spring Screw (2) |