

Form 8088  
March, 1913  
Supersedes Form 7893

# PRICE LIST

OF

# PARTS



## MACHINES

Nos. 81-1 to 81-6 and  
81-10 to 81-14

---

THE SINGER MANUFACTURING COMPANY

# INDEX

---

	PAGE
ACCESSORIES.....	82
FOOT LIFTER PARTS.....	83
HEMMER.....	82
IRON BASE.....	82
KNEE LIFTER PARTS.....	84
KNIFE GRINDER.....	85
MACHINE No. 81-1.....	7
"    "    81-2.....	14
"    "    81-3.....	22
"    "    81-4.....	30
"    "    81-5.....	38
"    "    81-6.....	45
"    "    81-10.....	52
"    "    81-11.....	58
"    "    81-12.....	64
"    "    81-13.....	70
"    "    81-14.....	76
NUMERICAL LIST OF PARTS.....	93
OBSOLETE PARTS.....	91
SPOOL HOLDER.....	86
THREAD UNWINDER.....	86
UNDER DRIVER (OIL CONTROLLING PULLEY).....	87
"    "    (BALL BEARING).....	88

## INSTRUCTIONS FOR ORDERING

In ordering from this list, use ONLY the PART number in the FIRST column.

The number stamped on a Sewing Machine part is in every case the number of the single part only.

Every combination of parts sent out as such has its specific number, which, although not stamped on the parts, must be used when ordering the combination.

Each number always indicates the SAME PART in whatever list it appears, or for whatever machine.

The letters after some of the numbers indicate the style of finish only, as follows:

- A. Hardened, Polished and Plated.
- B. Polished and Plated.
- C. Hardened only.
- D. Polished only.
- E. Soft, not Polished.
- F. Hardened and Polished.
- H. Blued.

These letters MUST BE USED when they appear in the list and AFTER the number as in the list.

In this series

- 1 to 1500 are Screw Numbers.
- 1501 to 1800 are Nut Numbers
- 1801 to 2000 are Roller Numbers.
- 2001 and upward are numbers of Machine Parts.

The figures in the second column refer only to the plates, illustrating the parts, and are NOT TO BE USED in ordering

Parts marked with an asterisk (\*) are furnished only when repairs are made at factory.

## LIST OF PARTS COMPLETE FOR MACHINE NO. 81-1

FOR TRIMMING AND OVER-EDGING CURTAINS AND OTHER FABRICS AND AT THE SAME TIME LAYING ONE OR MORE CORDS UNDER THE OVER-EDGE STITCHES.

This Machine will be fitted for Three Threads, unless otherwise specified on order.

NO.	PLATE	NAME	EACH
*42251	---	Arm with two each 462c and 42253....	\$12 00
4389	5543	" Dowel Pin.....	02
949E	5562	" Screw.....	06
42001	5525	Balance Wheel with 424c and 1354c....	1 00
1354C	5562	" " Position Screw.....	04
424C	5562	" " Set Screw.....	05
42002	5526	Cloth Plate.....	3 00
42107	---	Cloth Plate complete, Nos. 42002, 42003, 42005, 42108, two 236D and five 229D	6 50
42003	5526	Cloth Plate Extension (lower).....	3 00
229D	5562	" " " " Screw....	02
42108	5526	" " " (upper).....	20
229D	5562	" " " " Screw....	02
1437D	5562	" " Hinge Screw.....	10
1655E	5562	" " " " Nut.....	04
42005	5526	" " Lock Spring.....	15
236D	5562	" " " " Screw.....	02
42006	5529	Feed Bar with 1253C.....	2 00
42007	5529	" " Hinge Pin.....	15
1253C	5529	" " " " Set Screw.....	03
42008	5529	" Connecting Rod with 42009 and two 1057E.....	60
*42009	---	Feed Connecting Rod Cap.....	7
1057E	5529	" " " " Screw.....	04
1373C	5529	" " " " Hinge Screw.....	10
1520E	5529	" " " " " Nut.....	03
42010	5532	" Dog.....	75
190D	5536	" " Screw.....	03
42011	5529	" Eccentric with two 453C.....	1 00
42094	5526	" " Cover.....	25
207F	5529	" " " " Screw.....	02
453C	5529	" " " " Set Screw.....	02

## PARTS FOR MACHINE NO. 81-1

NO.	PLATE	NAME	EACH
42046	5543	Knife (stationary) with 42049.....	\$ 15
NOTE. Two No. 42046 are sent with this Machine.			
42048	5543	Knife (stationary) Clamping Stud.....	40
1534D	5543	" " " " Thumb Nut.....	10
42047	5543	Knife (stationary) Holder.....	3 50
1376C	5543	" " " " Regulating Thumb Screw.....	10
1101C	5543	Knife (stationary) Holder Screw.....	10
440F	5543	" " " " Stop Screw..	03
1547D	5543	" " " " " Nut	03
42049	5543	" " " Stud.....	02
42050	5553	Looper (left hand).....	2 00
42051	5553	" " " " Lever with 209H....	3 00
42052	5553	" " " " Connecting Link.....	75
378C	5553	Looper (left hand) Lever Connecting Link Hinge Screw.....	10
1520E	5553	Looper (left hand) Lever Connecting Link Hinge Screw Nut.....	03
42053	5553	Looper (left hand) Lever Hinge Stud	1 25
1036C	5553	" " " " " " " " Set Screw.....	03
209H	5553	Looper (left hand) Set Screw.....	02
42166	5553	" (right hand).....	2 25
42073	5553	" " " " and Spreader Lever with 1259C.....	3 50
42074	5553	Looper (right hand) and Spreader Lever Ball Stud.....	75
1259C	5553	Looper (right hand) and Spreader Lever Ball Stud Set Screw.....	03
42075	5553	Looper (right hand) and Spreader Lever Connection with 42059, 42076 and four 1057E.....	1 50
*42076	—	Looper (right hand) and Spreader Lever Connection Cap (lower).....	35
1057E	5553	Looper (right hand) and Spreader Lever Connection Cap (lower) Screw.....	04
*42059	—	Looper (right hand) and Spreader Lever Connection Cap (upper).....	35
1057E	5553	Looper (right hand) and Spreader Lever Connection Cap (upper) Screw.....	04
42077	5554	Looper (right hand) and Spreader Lever Connection Guide.....	75
171F	5554	Looper (right hand) and Spreader Lever Connection Guide Screw.....	03

## PARTS FOR MACHINE NO. 81-1

NO.	PLATE	NAME	EACH
42106	5554	Looper (right hand) and Spreader Lever Connection Oil Tube and Bracket with 29599.....	\$ 50
29599	5554	Looper (right hand) and Spreader Lever Connection Oil Tube Packing (felt) per 100.....	25
42078	5554	Looper (right hand) and Spreader Lever Hinge Pin.....	25
42079	5554	Looper (right hand) and Spreader Lever Hinge Pin Bushing.....	50
1259C	5554	Looper (right hand) and Spreader Lever Hinge Pin Bushing Set Screw.....	03
197D	5554	Looper (right hand) Screw.....	02
42054	5544	Needle Bar.....	75
42253	5544	" " Bushing.....	25
462C	5544	" " " " Set Screw.....	02
42061	5544	" " Connecting Bracket with 187D and 223F.....	1 00
187D	5544	Needle Bar Connecting Bracket Clamping Screw.....	02
42055	5544	Needle Bar Connecting Link.....	1 25
40247	5544	" " " " " Hinge Pin	05
223F	5544	" " " " " " " " Set Screw for 42061.....	02
904C	5544	Needle Bar Connecting Link Hinge Pin Set Screw for 42104.....	02
42057	5544	Needle Bar Connecting Rod with 42059, 42076 and four 1057E.....	1 50
*42076	—	Needle Bar Connecting Rod Cap (lower)	35
1057E	5553	" " " " " " " " Screw.....	04
*42059	—	Needle Bar Connecting Rod Cap (upper)	35
1057E	5553	" " " " " " " " Screw.....	04
42077	5554	Needle Bar Connecting Rod Guide.....	75
171F	5554	" " " " " " " " Screw	03
42103	5544	" " Crank (back) with 1258C and two 1259C.....	75
42074	5553	Needle Bar Crank (back) Ball Stud....	75
1259C	5553	" " " " " " " " Set Screw.....	03
1259C	5553	Needle Bar Crank (back) Position Screw	03
1258C	5544	" " " " " " " " Set Screw.....	02
42104	5544	" " " " (front) with 904C, 1258C and 1259C.....	75
1259C	5553	Needle Bar Crank (front) Position Screw.....	03

NO.	PLATE	NAME	EACH
1258C	5544	Needle Bar Crank (front) Set Screw....	\$ 02
42105	5544	" " " Shaft.....	50
42115	5544	" " Thread Retainer Bracket	75
228D	5544	" " " " " "	
		Screw.....	02
10106	5544	Needle Bar Thread Retainer Disc.....	03
93H	5544	" " " " Screw.....	04
10107	5544	" " " " Spring.....	01
1629C	5544	" Clamping Nut.....	05
42066	5544	" Guard.....	40
171F	5544	" Screw.....	03
42067	5546	Presser Foot with 233D and 42068.....	1 50
42068	5546	" " Chaining-off Finger.....	40
233D	5546	" " " " Screw.....	02
1324C	5545	" " Screw.....	05
39541	5545	" " Washer.....	05
42069	5545	" Lever.....	2 50
42045	5545	" Hinge Stud.....	50
1120C	5545	" " " " Set Screw.....	03
42070	5545	" " Lifter.....	20
85D	5545	" " " Hinge Screw.....	05
1377C	5545	" " Screw Stud (eccentric)....	10
1547D	5545	" " " Nut.....	03
42071	5545	" " Spring.....	05
1378D	5545	Pressure Regulating Thumb Screw.....	10
42072	5554	Spreader.....	2 50
197D	5554	" Screw.....	02
2102	5556	Tension (cord) Disc.....	05
1560C	5556	" " Regulating Thumb Nut.....	04
637F	5556	" " Screw Stud.....	08
10148	5556	" " Spring.....	03
2102	5556	" (looper, left hand) Disc.....	05
1560C	5556	" " " " Regulating Thumb Nut.....	04
828F	5556	Tension (looper, left hand) Screw Stud.....	08
10148	5556	" " " " Spring.....	03
2102	5556	" (looper, right hand) Disc.....	05
1560C	5556	" " " " Regulating Thumb Nut.....	04
828F	5556	Tension (looper, right hand) Screw Stud.....	08
10148	5556	" " " " Spring.....	03
17547	5556	" " " " Thread Guide.....	25
2102	5556	Tension (needle thread) Disc.....	05
1560C	5556	" " " " Regulating Thumb Nut.....	04
916F	5556	Tension (needle thread) Screw Stud....	08
10148	5556	" " " Spring.....	03

NO.	PLATE	NAME	EACH
42082	5556	Tension (needle thread) Thread Guide..	\$ 50
42083	5553	Thread (looper, left hand) Eyelet.....	40
233D	5553	" " " " " Screw	02
42084	5556	" " " " " Tube.....	30
462C	5556	" " " " " S e t Screw.....	02
42093	5556	Thread (looper, right hand) Staple	50
190D	5556	" " " " " " Screw.....	03
42127	5556	Thread (looper, right hand) Take-up	35
197F	5556	" " " " " " Screw.....	02
42096	5556	Thread (needle) Eyelet.....	25
217F	5556	" " " " " Screw.....	03
42097	5556	" " " Take-up.....	75
197F	5556	" " " " " Screw.....	02
42085	5532	Throat Plate for 42010.....	1 35
742F	5562	" " " " " Screw.....	05

**LIST OF PARTS COMPLETE**  
FOR  
**MACHINE NO. 81-2**

FOR TRIMMING AND OVER-EDGING FLANNELS, MUSLINS, DENIMS AND  
OTHER FABRICS, INSERTING SLEEVES IN SHIRT WAISTS,  
WRAPPERS, ETC. ALSO CLOSING AND STITCHING  
POCKETS INTO TROUSERS.

FOOT LIFTER.

This Machine will be fitted for Three Threads, unless otherwise specified  
on order.

NO.	PLATE	NAME	EACH
*42251	—	Arm with two each 462C and 42253.....	\$12 00
4389	5543	" Dowel Pin.....	02
949E	5562	" Screw.....	06
42001	5525	Balance Wheel with 424C and 1354C....	1 00
1354C	5562	" " Position Screw.....	04
424C	5562	" " Set Screw.....	05
42002	5526	Cloth Plate.....	3 00
42107	—	Cloth Plate complete, Nos. 42002, 42003, 42005, 42108, two 236D and five 229D	6 50
42003	5526	Cloth Plate Extension (lower).....	3 00
229D	5562	" " " " Screw....	02
42108	5526	" " " " (upper).....	20
229D	5562	" " " " " Screw....	02
1437D	5562	" " Hinge Screw.....	10
1655E	5562	" " " " Nut.....	04
42005	5526	" " Lock Spring.....	15
236D	5562	" " " " Screw.....	02
42006	5529	Feed Bar with 1253C.....	2 00
42007	5529	" " Hinge Pin.....	15
1253C	5529	" " " " Set Screw.....	03
42008	5529	" Connecting Rod with 42009 and two 1057E.....	60
*42009	—	Feed Connecting Rod Cap.....	—
1057E	5529	" " " " Screw.....	04
1373C	5529	" " " " Hinge Screw....	10
1520E	5529	" " " " " Nut.....	03
42109	5531	" Dog.....	75
42165	5532	" " for sewing very heavy pockets in pants.....	85
190D	5536	Feed Dog Screw.....	03

NO.	PLATE	NAME	EACH
42011	5529	Feed Eccentric with two 453C.....	\$1 00
42094	5526	" " Cover.....	25
207F	5529	" " " " Screw.....	02
453C	5529	" " Set Screw.....	02
42012	5529	" Lifting Eccentric with two 462C..	1 50
42013	5529	" " " " Connection.....	1 00
462C	5529	" " " " Set Screw.....	02
1374C	5530	" Regulating Screw Stud.....	15
1680C	5530	" " " " Nut.....	06
8800	5530	" " " " Washer... ..	06
42014	5530	" Regulator with 233D and two 1259C.....	1 25
42015	5529	Feed Regulator Connection with 1012E.	1 00
1012E	5529	" " " " Adjusting Screw.....	05
1373C	5529	Feed Regulator Connection Hinge Screw	10
1520E	5529	" " " " " " Nut.....	03
42016	5530	Feed Regulator Hinge Stud.....	60
42017	5529	" " Indicator.....	25
42018	5530	" " " " Plate.....	25
337D	5530	" " " " " Screw..	02
207F	5529	" " " " " Screw.....	02
1259C	5530	" " Set Screw.....	03
233D	5530	" " Stop Screw.....	02
42019	5530	" Rock Shaft.....	50
42020	—	Feed Rock Shaft complete, Nos. 42019 and 42021.....	85
42021	5530	Feed Rock Shaft Crank with 157E....	35
157E	5530	" " " " " Clamping Screw	04
42098	5530	" " " " " Hinge Pin.....	25
42079	5530	" " " " " " Bushing....	50
1036C	5530	" " " " " " " Set Screw.....	03
*42022	—	Frame.....	—
42023	5525	" Rotary Shaft.....	2 00
42024	5525	" " " " Bushing (front)... ..	35
1036C	5530	" " " " " " " Set Screw.....	03
42110	5545	Frame Rotary Shaft Crank with 1036C and 1375C.....	2 00
1375C	5553	Frame Rotary Shaft Crank Position Screw.....	03
1036C	5553	Frame Rotary Shaft Crank Set Screw..	03
42026	5525	" " " " Flanged Bushing (back).....	60
40326	5555	Frame Rotary Shaft Flanged Bushing (back) Oil Pad (braided cotton).....	01

NO.	PLATE	NAME	EACH
1036C	5530	Frame Rotary Shaft Flanged Bushing (back) Set Screw.....	\$ 03
42027	5527	Frame Side Cover (left) with 19045....	25
19045	5543	" " " " Handle.....	05
330D	5562	" " " " Screw.....	02
42028	5526	" " " (right) hinged.....	40
42101	5543	" " " " Lock Spring..	02
330D	5562	" " " " Screw.....	02
42029	5527	" Top Cover.....	2 50
42030	5543	" " " Extension.....	25
42102	5543	" " " " Holder	2 00
283D	5543	" " " " " "	
		Thumb Screw.....	10
2749	5543	Frame Top Cover Extension Holder	
		Thumb Screw Washer.....	01
176D	5543	Frame Top Cover Extension Screw.....	03
742F	5562	" " " Screw.....	05
42111	5542	Knife (movable) for light work.....	15
NOTE. Two No. 42111 are sent with this Machine			
42213	5560	Knife (movable) for heavy work.....	15
42112	5542	" " " Gib for 42113.....	50
42214	5560	" " " " 42215.....	50
42035	5542	" " " Holder.....	50
42113	—	" " " " 42035 with 133F, 42037, 42040, 42112 and two 404D, for 42111.....	1 25
42215	—	Knife (movable) Holder 42035 with 133F, 42040, 42214, 42216 and two 404D, for 42213.....	1 25
42037	5542	Knife (movable) Holder Cap for 42113..	15
42216	5560	" " " " " 42215..	15
404D	5542	" " " " Screw....	02
42038	5542	" " " " Guide with 336F.....	30
42039	5542	Knife (movable) Holder Guide Plate	15
621D	5542	" " " " " "	
		Screw.....	02
336F	5542	Knife (movable) Holder Guide Set Screw	02
133F	5542	" " " Screw.....	04
42040	5542	" " " " Extension Pin.....	03
42041	5542	Knife (movable) Holder Spring.....	03
42042	5542	" " " Lever.....	1 50
42043	5542	" " " " Connection with 42044 and two 175E.....	1 00
*42044	—	Knife (movable) Lever Connection Cap	—
175E	5542	" " " " " "	
		Screw.....	02

NO.	PLATE	NAME	EACH
1373C	5542	Knife (movable) Lever Connection Hinge Screw.....	\$ 10
1520E	5542	Knife (movable) Lever Connection Hinge Screw Nut.....	03
42045	5542	Knife (movable) Lever Hinge Stud.....	50
1229C	5542	" " " " " Set Screw.....	04
42046	5543	Knife (stationary) with 42049.....	15
NOTE. Two No. 42046 are sent with this Machine.			
42048	5543	Knife (stationary) Clamping Stud.....	40
1534D	5543	" " " " Thumb Nut.....	10
42156	5545	Knife (stationary) Holder.....	3 50
1376C	5543	" " " " Regulating Thumb Screw.....	10
1101C	5543	Knife (stationary) Holder Screw.....	10
440F	5543	" " " " Stop Screw	03
1547D	5543	" " " " " " Nut.....	03
42049	5543	Knife (stationary) Stud.....	02
42114	5554	Looper (left hand).....	2 00
42051	5553	" " " " Lever with 209H....	3 00
42052	5553	" " " " " Connecting Link.....	75
378C	5553	Looper (left hand) Lever Connecting Link Hinge Screw.....	10
1520E	5553	Looper (left hand) Lever Connecting Link Hinge Screw Nut.....	03
42053	5553	Looper (left hand) Lever Hinge Stud	1 25
1036C	5553	" " " " " " Set Screw.....	03
209H	5553	Looper (left hand) Set Screw.....	02
42166	5553	" (right hand).....	2 25
42073	5553	" " " " and Spreader Lever with 1259C.....	3 50
42074	5553	Looper (right hand) and Spreader Lever Ball Stud.....	75
1259C	5553	Looper (right hand) and Spreader Lever Ball Stud Set Screw.....	03
42075	5553	Looper (right hand) and Spreader Lever Connection with 42059, 42076 and four 1057E.....	1 50
*42076	—	Looper (right hand) and Spreader Lever Connection Cap (lower).....	35
1057E	5553	Looper (right hand) and Spreader Lever Connection Cap (lower) Screw.....	04

NO.	PLATE	NAME	EACH
*42059	—	Looper (right hand) and Spreader Lever Connection Cap (upper).....	\$ 35
1057E	5553	Looper (right hand) and Spreader Lever Connection Cap (upper) Screw.....	04
42077	5554	Looper (right hand) and Spreader Lever Connection Guide.....	75
171F	5554	Looper (right hand) and Spreader Lever Connection Guide Screw.....	03
42106	5554	Looper (right hand) and Spreader Lever Connection Oil Tube and Bracket with 29599.....	50
29599	5554	Looper (right hand) and Spreader Lever Connection Oil Tube Packing (felt) per 100.....	25
42078	5554	Looper (right hand) and Spreader Lever Hinge Pin.....	25
42079	5554	Looper (right hand) and Spreader Lever Hinge Pin Bushing.....	50
1259C	5554	Looper (right hand) and Spreader Lever Hinge Pin Bushing Set Screw.....	03
197D	5554	Looper (right hand) Screw.....	02
42054	5544	Needle Bar.....	75
42253	5544	" " Bushing.....	25
462C	5544	" " Set Screw.....	02
42061	5544	" " Connecting Bracket with 187D and 223F.....	1 00
187D	5544	Needle Bar Connecting Bracket Clamping Screw.....	02
42055	5544	Needle Bar Connecting Link.....	1 25
40247	5544	" " " " Hinge Pin.....	05
223F	5544	" " " " " " " " Set Screw for 42061.....	02
904C	5544	Needle Bar Connecting Link Hinge Pin Set Screw for 42104.....	02
42057	5544	Needle Bar Connecting Rod with 42059, 42076 and four 1057E.....	1 50
*42076	—	Needle Bar Connecting Rod Cap (lower).....	35
1057E	5553	" " " " " " " " Screw.....	04
*42059	—	Needle Bar Connecting Rod Cap (upper).....	35
1057E	5553	" " " " " " " " Screw.....	04
42077	5554	Needle Bar Connecting Rod Guide.....	75
171F	5554	" " " " " " " " Screw.....	03
42103	5544	" " Crank (back) with 1258C and two 1259C.....	75
42074	5553	Needle Bar Crank (back) Ball Stud.....	75
1259C	5553	" " " " " " " " Set Screw.....	03

NO.	PLATE	NAME	EACH
1259C	5553	Needle Bar Crank (back) Position Screw	\$ 03
1258C	5544	" " " " Set Screw.....	02
42104	5544	" " " (front) with 904C, 1258C and 1259C.....	75
1259C	5553	Needle Bar Crank (front) Position Screw	03
1258C	5544	" " " " Set Screw.....	02
42105	5544	" " " Shaft.....	50
42115	5544	" " Thread Retainer Bracket	75
228D	5544	" " " " " " " " Screw.....	02
10106	5544	Needle Bar Thread Retainer Disc.....	03
93H	5544	" " " " " " " " Screw.....	04
10107	5544	" " " " " " " " Spring.....	01
1629C	5544	" Clamping Nut.....	05
42066	5544	" Guard.....	40
171F	5544	" " Screw.....	03
42138	—	Presser Foot Body.....	1 00
42172	5546	" " Chaining-off Finger for 1 $\frac{1}{16}$ in. bight.....	40
42117	5546	Presser Foot Chaining-off Finger for 1 $\frac{1}{8}$ in. bight.....	40
42118	5546	Presser Foot Chaining-off Finger for 3 $\frac{1}{16}$ in. bight.....	40
42119	5546	Presser Foot Chaining-off Finger for 1 $\frac{1}{4}$ in. bight.....	40
233D	5546	Presser Foot Chaining-off Finger Screw	02
42120	5546	" " Extension.....	75
197F	5546	" " " " Screw.....	02
42116	5546	Presser Foot complete for 42109, Nos. 197F, 233D, 42118, 42120 and 42138..	2 00
42135	—	Presser Foot Body.....	1 00
42118	5546	" " Chaining-off Finger for 3 $\frac{1}{16}$ in. bight.....	40
233D	5546	Presser Foot Chaining-off Finger Screw	02
42120	5546	" " Extension.....	75
197F	5546	" " " " Screw.....	02
42136	5546	Presser Foot complete, for sewing in sleeves, for 42109, Nos. 197F, 233D, 42118, 42120 and 42135.....	2 00
42168	5546	Presser Foot Chaining-off Finger.....	40
233D	5546	" " " " " " " " Screw.....	02
42120	5546	" " Extension.....	75
197F	5546	" " " " " " " " Screw.....	02
2532	5546	" " Hinge Pin.....per 100	10
42167	—	" " Plate.....	1 75
42169	—	" " Shank.....	1 00



NO.	PLATE	NAME	EACH
42170	5546	Presser Foot (hinged) complete for 42165, Nos. 197F, 233D, 2532, 42120 and 42167 to 42169.....	\$4 00
1324C	5545	Presser Foot Screw.....	05
39541	5545	" " Washer.....	05
42069	5545	" Lever.....	2 50
42045	5545	" " Hinge Stud.....	50
1120C	5545	" " " " Set Screw....	03
42070	5545	" " Lifter.....	20
85D	5545	" " Hinge Screw.....	05
1377C	5545	" " Screw Stud (eccentric)....	10
1547D	5545	" " " " Nut.....	03
42071	5545	" " Spring.....	05
1378D	5545	Pressure Regulating Thumb Screw....	10
42072	5554	Spreader.....	2 50
197D	5554	" Screw.....	02
42137	5554	Tape Guide, for sewing in sleeves....	15
203F	5554	" " Screw.....	03
2102	5556	Tension (looper, left hand) Disc.....	05
1560C	5556	" " " " Regulating Thumb Nut.....	04
828F	5556	Tension (looper, left hand) Screw Stud.	08
42121	5556	" " " " Spring.....	03
2102	5556	" (looper, right hand) Disc.....	05
1560C	5556	" " " " Regulating Thumb Nut.....	04
828F	5556	Tension (looper, right hand) Screw Stud	08
10148	5556	" " " " Spring....	03
17547	5556	" " " " Thread Guide.....	25
2102	5556	Tension (needle thread) Disc.....	05
1560C	5556	" " " " Regulating Thumb Nut.....	04
916F	5556	Tension (needle thread) Screw Stud....	08
8238	5556	" " " " Spring.....	05
2103	5556	" " " " " for sew- ing very heavy pockets in pants....	03
42082	5556	Tension (needle thread) Thread Guide..	50
42083	5553	Thread (looper, left hand) Eyelet.....	40
233D	5553	" " " " " " Screw.	02
42122	5554	" " " " " Nipper Spring (lower).....	10
42123	5554	Thread (looper, left hand) Nipper Spring (upper).....	10
176F	5554	Thread (looper, left hand) Nipper Spring Screw.....	03
42124	5555	Thread (looper, left hand) Pull-off	20

NO.	PLATE	NAME	EACH
42125	5555	Thread (looper, left hand) Pull-off Eyelet.....	\$ 30
233D	5555	Thread (looper, left hand) Pull-off Screw.....	02
42084	5556	Thread (looper, left hand) Tube.....	30
462C	5556	" " " " " " S e t Screw.....	02
42126	5555	Thread (looper, right hand) Pull-off....	25
42093	5556	" " " " " Staple....	50
190D	5556	" " " " " " Screw	03
42127	5556	" " " " " " T a k e - u p	35
197F	5556	" " " " " " " Screw.....	02
42096	5556	Thread (needle) Eyelet.....	25
217F	5556	" " " " " Screw.....	03
42128	5555	" " " " " Take-up.....	50
197F	5556	" " " " " " Screw.....	02
42129	5531	Throat Plate, for $\frac{1}{8}$ in., $\frac{3}{16}$ in. and $\frac{1}{4}$ in. bight, for 42109.....	1 35
42134	5531	Throat Plate, for $\frac{1}{16}$ in. bight, for 42109	1 35
42171	5532	" " " " 42165.....	1 35
742F	5562	" " " " Screw.....	05



NO.	PLATE	NAME	EACH
157E	5530	Feed (front) Rock Shaft Crank Clamping Screw.....	\$ 04
42098	5530	Feed (front) Rock Shaft Hinge Pin	25
42079	5530	" " " " " "	
		Bushing.....	50
1036C	5530	Feed (front) Rock Shaft Hinge Pin Bushing Set Screw.....	03
*42022	—	Frame.....	—
42023	5525	" Rotary Shaft.....	2 00
42024	5525	" " " Bushing (front)...	35
1036C	5530	" " " " " Set Screw.....	03
42025	5553	Frame Rotary Shaft Crank with 1259C and 1375C.....	2 00
1375C	5553	Frame Rotary Shaft Crank Position Screw.....	03
1259C	5553	Frame Rotary Shaft Crank Set Screw..	03
42026	5525	" " " Flanged Bushing (back).....	60
40326	5555	Frame Rotary Shaft Flanged Bushing (back) Oil Pad (braided cotton)....	01
1036C	5530	Frame Rotary Shaft Flanged Bushing (back) Set Screw.....	03
42027	5527	Frame Side Cover (left) with 19045....	25
19045	5543	" " " " Handle.....	05
330D	5562	" " " " Screw.....	02
42028	5526	" " " (right) hinged.....	40
42101	5543	" " " " Lock Spring..	02
330D	5562	" " " " Screw.....	02
42029	5527	" Top Cover.....	2 50
42030	5543	" " " Extension.....	25
42102	5543	" " " " H o l d e r	2 00
283D	5543	" " " " " "	
		Thumb Screw.....	10
2749	5543	Frame Top Cover Extension Holder Thumb Screw Washer.....	01
176D	5543	Frame Top Cover Extension Screw.....	03
742F	5562	" " " Screw.....	05
42111	5542	Knife (movable).....	15
NOTE. Two No. 42111 are sent with this Machine.			
42112	5542	Knife (movable) Gib.....	50
42035	5542	" " Holder.....	50
42113	—	" " " 42035 with 133F, 42037, 42040, 42112 and two 404D.....	1 25
42037	5542	Knife (movable) Holder Cap.....	15
404D	5542	" " " " Screw....	02

NO.	PLATE	NAME	EACH
42038	5542	Knife (movable) Holder Guide with 336F.....	\$ 30
42039	5542	Knife (movable) Holder Guide Plate	15
621D	5542	" " " " " "	
		Screw.....	02
336F	5542	Knife (movable) Holder Guide Set Screw	02
133F	5542	" " " " Screw.....	04
42040	5542	" " " " Extension Pin.....	03
42041	5542	Knife (movable) Holder Spring.....	03
42042	5542	" " Lever.....	1 50
42043	5542	" " " Connection with 42044 and two 175E.....	1 00
*42044	—	Knife (movable) Lever Connection Cap.	—
175E	5542	" " " " " "	
		Screw.....	02
1373C	5542	Knife (movable) Lever Connection Hinge Screw.....	10
1520E	5542	Knife (movable) Lever Connection Hinge Screw Nut .....	03
42045	5542	Knife (movable) Lever Hinge Stud....	50
1229C	5542	" " " " " Set Screw.....	04
42046	5543	Knife (stationary) with 42049.....	15
NOTE. Two No. 42046 are sent with this Machine.			
42048	5543	Knife (stationary) Clamping Stud.....	40
1534D	5543	" " " " Thumb Nut.....	10
42156	5545	Knife (stationary) Holder.....	3 50
1376C	5543	" " " Regulating Thumb Screw.....	10
1101C	5543	Knife (stationary) Holder Screw.....	10
440F	5543	" " " " Stop Screw..	03
1547D	5543	" " " " " Nut	03
42049	5543	" " Stud.....	02
42114	5554	Looper (left hand).....	2 00
42051	5553	" " " Lever with 209H....	3 00
42052	5553	" " " " Connecting Link.....	75
378C	5553	Looper (left hand) Lever Connecting Link Hinge Screw.....	10
1520E	5553	Looper (left hand) Lever Connecting Link Hinge Screw Nut.....	03
42053	5553	Looper (left hand) Lever Hinge Stud	1 25
1036C	5553	" " " " " " Set Screw.....	03

NO.	PLATE	NAME	EACH
209H	5553	Looper (left hand) Set Screw.....	\$ 02
42166	5553	" (right hand).....	2 25
42073	5553	" " " and Spreader Lever with 1259c.....	3 50
42074	5553	Looper (right hand) and Spreader Lever Ball Stud.....	75
1259C	5553	Looper (right hand) and Spreader Lever Ball Stud Set Screw.....	03
42075	5553	Looper (right hand) and Spreader Lever Connection with 42059, 42076 and four 1057E.....	1 50
*42076	—	Looper (right hand) and Spreader Lever Connection Cap (lower).....	35
1057E	5553	Looper (right hand) and Spreader Lever Connection Cap (lower) Screw.....	04
*42059	—	Looper (right hand) and Spreader Lever Connection Cap (upper).....	35
1057E	5553	Looper (right hand) and Spreader Lever Connection Cap (upper) Screw.....	04
42077	5554	Looper (right hand) and Spreader Lever Connection Guide.....	75
171F	5554	Looper (right hand) and Spreader Lever Connection Guide Screw.....	03
42106	5554	Looper (right hand) and Spreader Lever Connection Oil Tube and Bracket with 29599.....	50
29599	5554	Looper (right hand) and Spreader Lever Connection Oil Tube Packing (felt) per 100.....	25
42078	5554	Looper (right hand) and Spreader Lever Hinge Pin.....	25
42079	5554	Looper (right hand) and Spreader Lever Hinge Pin Bushing.....	50
1259C	5554	Looper (right hand) and Spreader Lever Hinge Pin Bushing Set Screw.....	03
197D	5554	Looper (right hand) Screw.....	02
42054	5544	Needle Bar.....	75
42253	5544	" " Bushing.....	25
462C	5544	" " " Set Screw.....	02
42061	5544	" " Connecting Bracket with 187D and 223F.....	1 00
187D	5544	Needle Bar Connecting Bracket Clamp- ing Screw.....	02
42055	5544	Needle Bar Connecting Link.....	1 25
40247	5544	" " " " H i n g e Pin.....	05

NO.	PLATE	NAME	EACH
223F	5544	Needle Bar Connecting Link Hinge Pin Set Screw for 42061.....	\$ 02
904C	5544	Needle Bar Connecting Link Hinge Pin Set Screw for 42104.....	02
42057	5544	Needle Bar Connecting Rod with 42059, 42076 and four 1057E.....	1 50
*42076	—	Needle Bar Connecting Rod Cap (lower) " " " " " "	35
1057E	5553	Screw.....	04
*42059	—	Needle Bar Connecting Rod Cap (upper) " " " " " "	35
1057E	5553	Screw.....	04
42077	5554	Needle Bar Connecting Rod Guide.....	75
171F	5554	" " " " " Screw	03
42103	5544	" " Crank (back) with 1258c and two 1259C.....	75
42074	5553	Needle Bar Crank (back) Ball Stud....	75
1259C	5553	" " " " " " Set Screw.....	03
1259C	5553	Needle Bar Crank (back) Position Screw	03
1258C	5544	" " " " Set Screw.....	02
42104	5544	" " " (front) with 904C, 1258C and 1259C.....	75
1259C	5553	Needle Bar Crank (front) Position Screw	03
1258C	5544	" " " " Set Screw.....	02
42105	5544	" " " Shaft.....	50
42115	5544	" " Thread Retainer Bracket	75
228D	5544	" " " " " " Screw.....	02
10106	5544	Needle Bar Thread Retainer Disc.....	03
93H	5544	" " " " Screw.....	04
10107	5544	" " " " Spring.....	01
1629C	5544	" Clamping Nut.....	05
42066	5544	" Guard.....	40
171F	5544	" " Screw.....	03
42157	—	Presser Foot Body.....	3 50
42158	5547	" " Chaining-off F i n g e r (narrow bight).....	40
42190	5547	Presser Foot Chaining-off Finger (wide bight).....	40
42288	5547	Presser Foot Chaining-off Finger for 1/4 in. bight.....	40
233D	5547	Presser Foot Chaining-off Finger Screw.	02
9320	5547	" " Hinge Pin..... per 100	10
42159	—	" " Plate.....	2 00
14058	5547	" " Spring.....	02
42160	5547	" " " Adjusting Pin.....	05
464C	5547	" " " " " " Set Screw.....	02

NO.	PLATE	NAME	EACH
42161	5547	Presser Foot (spring hinged) complete for 42149 and 42152, Nos. 233D, 464C, 9320, 14058 and 42157 to 42160.....	\$5 35
42158	5547	Presser Foot Chaining-off Finger (narrow bight).....	40
233D	5547	Presser Foot Chaining-off Finger Screw.....	02
42159	—	" " Plate (back).....	2 00
9320	5547	" " " " Hinge Pin, per 100.....	10
14058	5547	Presser Foot Plate (back) Spring.....	02
42160	5547	" " " " " " Ad-justing Pin.....	05
464C	5547	Presser Foot Plate (back) Spring Adjusting Pin Set Screw.....	02
42263	—	Presser Foot Plate (front).....	1 75
2532	5546	" " " " " Hinge Pin, per 100.....	10
42264	—	Presser Foot Shank.....	2 50
42265	5547	Presser Foot (spring hinged) complete for 42149 and 42262, Nos. 233D, 464C, 2532, 9320, 14058, 42158 to 42160, 42263 and 42264.....	7 50
1324C	5545	Presser Foot Screw.....	05
39541	5545	" " " Washer.....	05
42069	5545	" Lever.....	2 50
42045	5545	" " Hinge Stud.....	50
1120C	5545	" " " " Set Screw.....	03
42070	5545	" " Lifter.....	20
85D	5545	" " Hinge Screw.....	05
1377C	5545	" " Screw Stud (eccentric)....	10
1547D	5545	" " " " Nut.....	03
42071	5545	" " Spring.....	05
1378D	5545	Pressure Regulating Thumb Screw.....	10
42072	5554	Spreader.....	2 50
197D	5554	" Screw.....	02
2102	5556	Tension (looper, left hand) Disc.....	05
1560C	5556	" " " " " Regulating Thumb Nut.....	04
828F	5556	Tension (looper, left hand) Screw Stud.....	08
42121	5556	" " " " " Spring.....	03
2102	5556	" (looper, right hand) Disc.....	05
1560C	5556	" " " " " Regulating Thumb Nut.....	04
828F	5556	Tension (looper, right hand) Screw Stud.....	08
10148	5556	" " " " " Spring.....	03
17547	5556	" " " " " Thread Guide.....	25

NO.	PLATE	NAME	EACH
2102	5556	Tension (needle thread) Disc.....	\$ 05
1560C	5556	" " " " " Regulating Thumb Nut.....	04
916F	5556	Tension (needle thread) Screw Stud.....	08
10148	5556	" " " " " Spring.....	03
42082	5556	" " " " " Thread Guide.....	50
42083	5553	Thread (looper, left hand) Eyelet.....	40
233D	5553	" " " " " " Screw.....	02
42084	5556	" " " " " " Tube.....	30
462C	5556	" " " " " " Set Screw.....	02
42093	5556	Thread (looper, right hand) Staple.....	50
190D	5556	" " " " " " " Screw.....	03
42127	5556	Thread (looper, right hand) Take-up.....	35
197F	5556	" " " " " " " Screw.....	02
42096	5556	Thread (needle) Eyelet.....	25
217F	5556	" " " " " " " Screw.....	03
42162	5555	" " " " " " " Take-up.....	75
197F	5556	" " " " " " " Screw.....	02
42163	5533	Throat Plate for 42149, 42152 and 42262, for general knit goods.....	1 65
42164	5533	Throat Plate for 42149 and 42152, for narrow bight on balbriggan and closely woven goods.....	1 65
742F	5562	Throat Plate Screw.....	05

## LIST OF PARTS COMPLETE

FOR

## MACHINE NO. 81-4

FOR TRIMMING AND OVER-EDGING KNIT GOODS; AUXILIARY FEED MECHANISM, ALSO HAND LEVERS FOR QUICK ADJUSTMENT OF BIGHT FOR DIFFERENT SEAMS ON FINE UNDERWEAR, OTHERWISE SAME AS 81-3 MACHINE. FOOT LIFTER.

NO.	PLATE	NAME	EACH
*42251	—	Arm with two each 462C and 42253.....	\$12 00
4389	5543	" Dowel Pin.....	02
949E	5562	" Screw.....	06
42001	5525	Balance Wheel with 424c and 1354c....	1 00
1354c	5562	" " Position Screw.....	04
424c	5562	" " Set Screw.....	05
42145	5527	Cloth Plate.....	3 00
42146	—	Cloth Plate complete, Nos. 42003, 42005, 42108, 42145, two 236D and five 229D	6 50
42003	5526	Cloth Plate Extension (lower).....	3 00
229D	5562	" " " " Screw....	02
42108	5526	" " " (upper).....	20
229D	5562	" " " " Screw....	02
1437D	5562	" " Hinge Screw.....	10
1655E	5562	" " " " Nut.....	04
42005	5526	" " Lock Spring.....	15
236D	5562	" " " " Screw.....	02
42147	5557	Feed (back) Bar.....	1 75
61c	5557	" " " Hinge Screw.....	06
42148	5557	" " Connecting Link.....	75
1132c	5557	" " " H i n g e Screw.....	06
42149	5533	Feed (back) Dog.....	75
203c	5554	" " " Screw.....	03
42150	5557	" " Regulator.....	2 00
1132c	5557	" " " Hinge Screw....	06
190D	5557	" " " Set Screw.....	03
1444c	5557	" " " Thumb Screw...	10
42151	5557	" (front) Bar with 1253c.....	2 75
42007	5529	" " " Hinge Pin.....	15
1253c	5529	" " " " " Set Screw..	03
42008	5529	" " Connecting Rod with 42009 and two 1057E.....	60

NO.	PLATE	NAME	EACH
*42009	—	Feed (front) Connecting Rod Cap.....	\$ —
1057E	5529	" " " " " Screw	04
1373c	5529	" " " " H i n g e Screw.....	10
1520E	5529	Feed (front) Connecting Rod Hinge Screw Nut.....	03
42152	5533	Feed (front) Dog.....	85
190D	5536	" " " Screw.....	03
42011	5529	" " Eccentric with two 453c... 1 00	
42153	5527	" " " Cover.....	40
207F	5529	" " " " Screw.....	02
453c	5529	" " " Set Screw.....	02
42012	5529	" " Lifting Eccentric with two 462c.....	1 50
42013	5529	Feed (front) Lifting Eccentric Connection.....	1 00
462c	5529	Feed (front) Lifting Eccentric Set Screw	02
1374c	5530	" " Regulating Screw Stud	15
1680c	5530	" " " " " Nut.....	06
8800	5530	Feed (front) Regulating Screw Stud Washer.....	06
42014	5530	Feed (front) Regulator with 233D and two 1259C.....	1 25
42015	5529	Feed (front) Regulator Connection with 1012E.....	1 00
1012E	5529	Feed (front) Regulator Connection Adjusting Screw.....	05
1373c	5529	Feed (front) Regulator Connection Hinge Screw.....	10
1520E	5529	Feed (front) Regulator Connection Hinge Screw Nut.....	03
42016	5530	Feed (front) Regulator Hinge Stud....	60
42017	5529	" " " Indicator.....	25
42018	5530	" " " " " Plate	25
337D	5530	" " " " " " Screw.....	02
207F	5529	Feed (front) Regulator Indicator Screw	02
1259c	5530	" " " Set Screw.....	03
233D	5530	" " " Stop Screw.....	02
42154	5557	" " Rock Shaft.....	1 50
42155	—	Feed (front) Rock Shaft complete, Nos. 42021 and 42154.....	1 85
42021	5530	Feed (front) Rock Shaft Crank with 157E.....	35
157E	5530	Feed (front) Rock Shaft Crank Clamping Screw.....	04

NO.	PLATE	NAME	EACH
42098	5530	Feed (front) Rock Shaft Hinge Pin	\$ 25
42079	5530	" " " " " "	
		Bushing.....	50
1036C	5530	Feed (front) Rock Shaft Hinge Pin	
		Bushing Set Screw.....	03
*42173	—	Frame.....	—
42023	5525	" Rotary Shaft.....	2 00
42024	5525	" " " Bushing (front)....	35
1036C	5530	" " " " " Set	
		Screw.....	03
42025	5553	Frame Rotary Shaft Crank with 1259C and 1375C.....	2 00
1375C	5553	Frame Rotary Shaft Crank Position Screw.....	03
1259C	5553	Frame Rotary Shaft Crank Set Screw..	03
42026	5525	" " " Flanged Bushing	
		(back).....	60
40326	5555	Frame Rotary Shaft Flanged Bushing (back) Oil Pad (braided cotton)....	01
1036C	5530	Frame Rotary Shaft Flanged Bushing (back) Set Screw.....	03
42027	5527	Frame Side Cover (left) with 19045....	25
19045	5543	" " " " Handle.....	05
330D	5562	" " " " Screw.....	02
42028	5526	" " " (right) hinged.....	40
42101	5543	" " " " Lock Spring..	02
330D	5562	" " " " Screw.....	02
42029	5527	" Top Cover.....	2 50
42030	5543	" " " Extension.....	25
42102	5543	" " " " H o l d e r	2 00
283D	5543	" " " " "	
		Thumb Screw.....	10
2749	5543	Frame Top Cover Extension Holder Thumb Screw Washer.....	01
176D	5543	Frame Top Cover Extension Screw.....	03
742F	5562	" " " Screw.....	05
42111	5542	Knife (movable).....	15
NOTE. Two No. 42111 are sent with this Machine.			
42112	5542	Knife (movable) Gib.....	50
42035	5542	" " Holder.....	50
42113	—	" " " 42035 with 133F, 42037, 42040, 42112 and two 404D.....	1 25
42037	5542	Knife (movable) Holder Cap.....	15
404D	5542	" " " " Screw....	02
42038	5542	" " " " Guide with 336F.....	30

NO.	PLATE	NAME	EACH
42039	5542	Knife (movable) Holder Guide Plate	\$ 15
621D	5542	" " " " " "	
		Screw.....	02
336F	5542	Knife (movable) Holder Guide Set Screw	02
133F	5542	" " " " Screw.....	04
42040	5542	" " " " Extension	
		Pin.....	03
42041	5542	Knife (movable) Holder Spring.....	03
42042	5542	" " " Lever.....	1 50
42043	5542	" " " Connection with 42044 and two 175E.....	1 00
*42044	—	Knife (movable) Lever Connection Cap	—
175E	5542	" " " " "	
		Screw.....	02
1373C	5542	Knife (movable) Lever Connection Hinge Screw.....	10
1520E	5542	Knife (movable) Lever Connection Hinge Screw Nut.....	03
42045	5542	Knife (movable) Lever Hinge Stud....	50
1229C	5542	" " " " " Set	
		Screw.....	04
42046	5543	Knife (stationary) with 42049.....	15
NOTE. Two No. 42046 are sent with this Machine.			
42048	5543	Knife (stationary) Clamping Stud.....	40
1534D	5543	" " " " " Thumb Nut.....	10
42156	5545	Knife (stationary) Holder.....	3 50
42200	5559	" " " " Regulating Lever.....	2 00
42176	5559	Knife (stationary) Holder Regulating Lever Friction Washer.....	01
42204	5559	Knife (stationary) Holder Regulating Lever Indicator.....	30
236F	5559	Knife (stationary) Holder Regulating Lever Indicator Screw.....	02
42201	5559	Knife (stationary) Holder Regulating Lever Latch.....	2 25
42202	5559	Knife (stationary) Holder Regulating Lever Latch Bracket.....	1 50
213F	5559	Knife (stationary) Holder Regulating Lever Latch Bracket Screw.....	03
1240F	5559	Knife (stationary) Holder Regulating Lever Latch Hinge Screw.....	05
42203	5559	Knife (stationary) Holder Regulating Lever Latch Spring.....	03
42177	5559	Knife (stationary) Holder Regulating Lever Slide Block.....	20

NO.	PLATE	NAME	EACH
1250F	5559	Knife (stationary) Holder Regulating Lever Slide Block Screw Stud.....	\$ 03
35C	5559	Knife (stationary) Holder Screw.....	07
440F	5543	" " " Stop Screw..	03
1547D	5543	" " " " " Nut	03
42049	5543	" " Stud.....	02
42114	5554	Looper (left hand).....	2 00
42051	5553	" " " Lever with 209H....	3 00
42052	5553	" " " " Connecting Link.....	75
378C	5553	Looper (left hand) Lever Connecting Link Hinge Screw.....	10
1520E	5553	Looper (left hand) Lever Connecting Link Hinge Screw Nut.....	03
42053	5553	Looper (left hand) Lever Hinge Stud	1 25
1036C	5553	" " " " " " " Set Screw.....	03
209H	5553	Looper (left hand) Set Screw.....	02
42166	5553	" (right hand).....	2 25
42073	5553	" " " and Spreader Lever with 1259C.....	3 50
42074	5553	Looper (right hand) and Spreader Lever Ball Stud.....	75
1259C	5553	Looper (right hand) and Spreader Lever Ball Stud Set Screw.....	03
42075	5553	Looper (right hand) and Spreader Lever Connection with 42059, 42076 and four 1057E.....	1 50
*42076	—	Looper (right hand) and Spreader Lever Connection Cap (lower).....	35
1057E	5553	Looper (right hand) and Spreader Lever Connection Cap (lower) Screw.....	04
*42059	—	Looper (right hand) and Spreader Lever Connection Cap (upper).....	35
1057E	5553	Looper (right hand) and Spreader Lever Connection Cap (upper) Screw.....	04
42077	5554	Looper (right hand) and Spreader Lever Connection Guide.....	75
171F	5554	Looper (right hand) and Spreader Lever Connection Guide Screw.....	03
42106	5554	Looper (right hand) and Spreader Lever Connection Oil Tube and Bracket with 29599.....	50
29599	5554	Looper (right hand) and Spreader Lever Connection Oil Tube Packing (felt) per 100.....	25
42078	5554	Looper (right hand) and Spreader Lever Hinge Pin.....	25

NO.	PLATE	NAME	EACH
42079	5554	Looper (right hand) and Spreader Lever Hinge Pin Bushing.....	\$ 50
1259C	5554	Looper (right hand) and Spreader Lever Hinge Pin Bushing Set Screw.....	03
197D	5554	Looper (right hand) Screw.....	02
42054	5544	Needle Bar.....	75
42253	5544	" " Bushing.....	25
462C	5544	" " " Set Screw.....	02
42061	5544	" " Connecting Bracket with 187D and 223F.....	1 00
187D	5544	Needle Bar Connecting Bracket Clamp- ing Screw.....	02
42055	5544	Needle Bar Connecting Link.....	1 25
40247	5544	" " " " Hinge Pin	05
223F	5544	" " " " " Set Screw for 42061.....	02
904C	5544	Needle Bar Connecting Link Hinge Pin Set Screw for 42104.....	02
42057	5544	Needle Bar Connecting Rod with 42059, 42076 and four 1057E.....	1 50
*42076	—	Needle Bar Connecting Rod Cap (lower)	35
1057E	5553	" " " " " " Screw.....	04
*42059	—	Needle Bar Connecting Rod Cap (upper)	35
1057E	5553	" " " " " " Screw.....	04
42077	5554	Needle Bar Connecting Rod Guide.....	75
171F	5554	" " " " " " Screw	03
42103	5544	" " Crank (back) with 1258C and two 1259C.....	75
42074	5553	Needle Bar Crank (back) Ball Stud....	75
1259C	5553	" " " " " " Set Screw.....	03
1259C	5553	Needle Bar Crank (back) Position Screw	03
1258C	5544	" " " " " Set Screw.....	02
42104	5544	" " " (front) with 904C, 1258C and 1259C.....	75
1259C	5553	Needle Bar Crank (front) Position Screw	03
1258C	5544	" " " " " Set Screw.....	02
42105	5544	" " " Shaft.....	50
42115	5544	" " Thread Retainer Bracket	75
228D	5544	" " " " " Screw.....	02
10106	5544	Needle Bar Thread Retainer Disc.....	03
93H	5544	" " " " " Screw.....	04
10107	5544	" " " " " Spring....	01
1629C	5544	" Clamping Nut.....	05



NO.	PLATE	NAME	EACH
42066	5544	Needle Guard.....	\$ 40
171F	5544	" " Screw.....	03
42178	—	Presser Foot Body.....	3 50
42179	5547	" " Chaining-off Finger.....	40
42180	5547	" " " " Regulating Lever.....	10
104C	5547	Presser Foot Chaining-off Finger Regulating Lever Hinge Screw.....	04
9320	5547	Presser Foot Hinge Pin.....	per 100 10
42159	—	" " Plate.....	2 00
14058	5547	" " Spring.....	02
42160	5547	" " " Adjusting Pin.....	05
464C	5547	" " " " " Set Screw.....	02
42181	5547	Presser Foot (spring hinged) complete, Nos. 104C, 464C, 9320, 14058, 42159, 42160 and 42178 to 42180.....	6 00
1324C	5545	Presser Foot Screw.....	05
39541	5545	" " Washer.....	05
42069	5545	" Lever.....	2 50
42045	5545	" " Hinge Stud.....	50
1120C	5545	" " " " Set Screw.....	03
42070	5545	" " Lifter.....	20
85D	5545	" " Hinge Screw.....	05
1377C	5545	" " Screw Stud (eccentric).....	10
1547D	5545	" " " " Nut.....	03
42071	5545	" " Spring.....	05
1378D	5545	Pressure Regulating Thumb Screw.....	10
42072	5554	Spreader.....	2 50
197D	5554	" Screw.....	02
2102	5556	Tension (looper, left hand) Disc.....	05
1560C	5556	" " " " Regulating Thumb Nut.....	04
828F	5556	Tension (looper, left hand) Screw Stud.....	08
42121	5556	" " " " Spring.....	03
2102	5556	" (looper, right hand) Disc.....	05
1560C	5556	" " " " Regulating Thumb Nut.....	04
828F	5556	Tension (looper, right hand) Screw Stud.....	08
10148	5556	" " " " Spring.....	03
17547	5556	" " " " Thread Guide.....	25
2102	5556	Tension (needle thread) Disc.....	05
1560C	5556	" " " " Regulating Thumb Nut.....	04
916F	5556	Tension (needle thread) Screw Stud.....	08
10148	5556	" " " " Spring.....	03

NO.	PLATE	NAME	EACH
42082	5556	Tension (needle thread) Thread Guide.....	\$ 50
42083	5553	Thread (looper, left hand) Eyelet.....	40
233D	5553	" " " " Screw.....	02
42084	5556	" " " " Tube.....	30
462C	5556	" " " " " Set Screw.....	02
42093	5556	Thread (looper, right hand) Staple.....	50
190D	5556	" " " " " Screw.....	03
42127	5556	" " " " " Take up.....	35
197F	5556	" " " " " " Screw.....	02
42096	5556	Thread (needle) Eyelet.....	25
217F	5556	" " " " " Screw.....	03
42162	5555	" " " " " Take-up.....	75
197F	5556	" " " " " " Screw.....	02
42164	5533	Throat Plate for 42149 and 42152, for narrow bight on balbriggan and closely woven goods.....	1 65
742F	5562	Throat Plate Screw.....	05

**LIST OF PARTS COMPLETE  
FOR  
MACHINE NO. 81-5**

FOR TRIMMING AND OVER-EDGING FABRICS UP TO  $\frac{5}{16}$  INCH THICK-  
NESS. ALSO FOR CLOSING POCKETS IN EXTRA HEAVY TROUSERS  
AND STITCHING OVER THE SEAMS. THREE THREAD  
STITCH. FOOT LIFTER.

This Machine will be fitted for Three Threads, unless otherwise specified  
on order.

NO.	PLATE	NAME	EACH
*42252	—	Arm with two each 462c and 42253	\$12 00
4389	5543	" Dowel Pin	02
949E	5562	" Screw	06
42001	5525	Balance Wheel with 424c and 1354c	1 00
1354c	5562	" " Position Screw	04
424c	5562	" " Set Screw	05
42002	5526	Cloth Plate	3 00
42107	—	Cloth Plate complete, Nos. 42002, 42003, 42005, 42108, two 236D and five 229D	6 50
42003	5526	Cloth Plate Extension (lower)	3 00
229D	5562	" " " " Screw	02
42108	5526	" " " (upper)	20
229D	5562	" " " " Screw	02
1437D	5562	" " Hinge Screw	10
1655E	5562	" " " " Nut	04
42005	5526	" " Lock Spring	15
236D	5562	" " " " Screw	02
42006	5529	Feed Bar with 1253c	2 00
42007	5529	" " Hinge Pin	15
1253c	5529	" " " " Set Screw	03
42008	5529	" Connecting Rod with 42009 and two 1057E	60
*42009	—	Feed Connecting Rod Cap	—
1057E	5529	" " " " Screw	04
1373c	5529	" " " " Hinge Screw	10
1520E	5529	" " " " " Nut	03
42207	5534	" Dog	1 00
190D	5536	" " Screw	03
42011	5529	" Eccentric with two 453c	1 00
42094	5526	" " Cover	25
207F	5529	" " " " Screw	02
453c	5529	" " Set Screw	02

NO.	PLATE	NAME	EACH
42208	5559	Feed Lifting Eccentric with two 462c	\$1 50
42013	5529	" " " Connection	1 00
462c	5529	" " " Set Screw	02
1374c	5530	" Regulating Screw Stud	15
1680c	5530	" " " " Nut	06
8800	5530	" " " " Washer	06
42014	5530	" Regulator with 233D and two 1259c	1 25
42015	5529	Feed Regulator Connection with 1012E	1 00
1012E	5529	" " " Adjusting Screw	05
1373c	5529	Feed Regulator Connection Hinge Screw	10
1520E	5529	" " " " " Nut	03
42016	5530	Feed Regulator Hinge Stud	60
42017	5529	" " " Indicator	25
42018	5530	" " " Plate	25
337D	5530	" " " " " Screw	02
207F	5529	" " " " " Screw	02
1259c	5530	" " " Set Screw	03
233D	5530	" " " Stop Screw	02
42019	5530	" Rock Shaft	50
42020	—	Feed Rock Shaft complete, Nos. 42019 and 42021	85
42021	5530	Feed Rock Shaft Crank with 157E	35
157E	5530	" " " " Clamping Screw	04
42098	5530	" " " " Hinge Pin	25
42079	5530	" " " " " Bushing	50
1036c	5530	" " " " " " " Set Screw	03
*42209	—	Frame	—
42266	5572	" Rotary Shaft	3 00
42024	5525	" " " Bushing (front)	35
1036c	5530	" " " " " " " Set Screw	03
42211	5559	Frame Rotary Shaft Crank with 1036c and 1375c	2 00
1375c	5553	Frame Rotary Shaft Crank Position Screw	03
1036c	5553	Frame Rotary Shaft Crank Set Screw	03
42026	5525	" " " Flanged Bushing (back)	60
40326	5555	Frame Rotary Shaft Flanged Bushing (back) Oil Pad (braided cotton)	01
1036c	5530	Frame Rotary Shaft Flanged Bushing (back) Set Screw	03
42027	5527	Frame Side Cover (left) with 19045	25
19045	5543	" " " " " Handle	05
330D	5562	" " " " " Screw	02

NO.	PLATE	NAME	EACH
42028	5526	Frame Side Cover (right) hinged.....	\$ 40
42101	5543	" " " " Lock Spring..	02
	330D	" " " " Screw.....	02
42029	5527	" Top Cover.....	2 50
42212	5559	" " " " Extension.....	35
42102	5543	" " " " Holder	2 00
	283D	" " " " " "	
		Thumb Screw.....	10
2749	5543	Frame Top Cover Extension Holder	
		Thumb Screw Washer.....	01
	176D	Frame Top Cover Extension Screw.....	03
	742F	" " " " Screw.....	05
42213	5560	Knife (movable).....	15
NOTE. Two No. 42213 are sent with this Machine.			
42214	5560	Knife (movable) Gib.....	50
42035	5542	" " " " Holder.....	50
42215	—	" " " " 42035 with	
		133F, 42040, 42214, 42216 and two	
		404D.....	1 25
42216	5560	Knife (movable) Holder Cap.....	15
	404D	" " " " " " Screw.....	02
42038	5542	" " " " " " Guide with	
		336F.....	30
42039	5542	Knife (movable) Holder Guide Plate	15
	621D	" " " " " " " "	
		Screw.....	02
	336F	Knife (movable) Holder Guide Set Screw	02
	133F	" " " " " " Screw.....	04
42040	5542	" " " " " " Extension	
		Pin.....	03
42041	5542	Knife (movable) Holder Spring.....	03
42042	5542	" " " " " " Lever.....	1 50
42217	5560	" " " " " " Connection with	
		42218 and two 175E.....	1 00
*42218	—	Knife (movable) Lever Connection Cap	—
	175E	" " " " " " " "	
		Screw.....	02
	1373C	Knife (movable) Lever Connection	
		Hinge Screw.....	10
	1520E	Knife (movable) Lever Connection	
		Hinge Screw Nut.....	03
42045	5542	Knife (movable) Lever Hinge Stud.....	50
	1229C	" " " " " " " " Set	
		Screw.....	04
42046	5543	Knife (stationary) with 42049.....	15
NOTE. Two No. 42046 are sent with this Machine.			
42048	5543	Knife (stationary) Clamping Stud.....	40

NO.	PLATE	NAME	EACH
1534D	5543	Knife (stationary) Clamping Stud Thumb	
		Nut.....	\$ 10
42156	5545	Knife (stationary) Holder.....	3 50
	1376C	" " " " " " Regulating	
		Thumb Screw.....	10
	1101C	Knife (stationary) Holder Screw.....	10
	440F	" " " " " " Stop Screw..	03
	1547D	" " " " " " " " Nut	03
42049	5543	" " " " " " Stud.....	02
42219	5560	Looper (left hand).....	2 00
42051	5553	" " " " " " Lever with 209H....	3 00
42052	5553	" " " " " " " " Connecting	
		Link.....	75
	378C	Looper (left hand) Lever Connecting	
		Link Hinge Screw.....	10
	1520E	Looper (left hand) Lever Connecting	
		Link Hinge Screw Nut.....	03
42053	5553	Looper (left hand) Lever Hinge Stud...	1 25
	1036C	" " " " " " " " Set	
		Screw.....	03
	209H	Looper (left hand) Set Screw.....	02
42220	5560	" (right hand).....	3 00
42073	5553	" " " " " " and Spreader Lever	
		with 1259C.....	3 50
42221	5560	Looper (right hand) and Spreader Lever	
		Ball Stud.....	75
	1259C	Looper (right hand) and Spreader Lever	
		Ball Stud Set Screw.....	03
42075	5553	Looper (right hand) and Spreader Lever	
		Connection with 42059, 42076 and	
		four 1057E.....	1 50
*42076	—	Looper (right hand) and Spreader Lever	
		Connection Cap (lower).....	35
	1057E	Looper (right hand) and Spreader Lever	
		Connection Cap (lower) Screw.....	04
*42059	—	Looper (right hand) and Spreader Lever	
		Connection Cap (upper).....	35
	1057E	Looper (right hand) and Spreader Lever	
		Connection Cap (upper) Screw.....	04
42077	5554	Looper (right hand) and Spreader Lever	
		Connection Guide.....	75
	171F	Looper (right hand) and Spreader Lever	
		Connection Guide Screw.....	03
42106	5554	Looper (right hand) and Spreader Lever	
		Connection Oil Tube and Bracket	
		with 29599.....	50
29599	5554	Looper (right hand) and Spreader Lever	
		Connection Oil Tube Packing (felt)	
		per 100.....	25



NO.	PLATE	NAME	EACH
42123	5554	Thread (looper, left hand) Nipper	
		Spring (upper).....	\$ 10
176F	5554	Thread (looper, left hand) Nipper	
		Spring Screw.....	03
42124	5555	Thread (looper, left hand) Pull-off	20
42125	5555	" " " " " "	
		Eyelet.....	30
233D	5555	Thread (looper, left hand) Pull-off Screw	02
42084	5556	" " " " Tube.....	30
462C	5556	" " " " " Set Screw	02
42126	5555	" (looper, right hand) Pull-off.....	25
42093	5556	" " " " Staple.....	50
190D	5556	" " " " " Screw	03
42127	5556	" " " " Take-up	35
197F	5556	" " " " " "	
		Screw.....	02
42096	5556	Thread (needle) Eyelet.....	25
217F	5556	" " " Screw.....	03
42128	5555	" " Take-up.....	50
197F	5556	" " " Screw.....	02
42228	5534	Throat Plate for 42207.....	1 65
742F	5562	" " Screw.....	05

## LIST OF PARTS COMPLETE

FOR

## MACHINE NO. 81-6

FOR TRIMMING AND BLIND STITCH HEMMING OR WELTING KNIT UNDERWEAR; HAS AUXILIARY FEED MECHANISM AND FOOT LIFTER.

This Machine will be fitted for Two Threads, unless otherwise specified on order.

NO.	PLATE	NAME	EACH
*42251	---	Arm with two each 462C and 42253....	\$12 00
4389	5543	" Dowel Pin.....	02
949E	5562	" Screw.....	06
42001	5525	Balance Wheel with 424c and 1354c....	1 00
1354c	5562	" " Position Screw.....	04
424c	5562	" " Set Screw.....	05
42145	5527	Cloth Plate.....	3 00
42146	---	Cloth Plate complete, Nos. 42003, 42005, 42108, 42145, two 236D and five 229D	6 50
42003	5526	Cloth Plate Extension (lower).....	3 00
229D	5562	" " " Screw....	02
42108	5526	" " " (upper).....	20
229D	5562	" " " " Screw....	02
1437D	5562	" " Hinge Screw.....	10
1655E	5562	" " " " Nut.....	04
42005	5526	" " Lock Spring.....	15
236D	5562	" " " Screw.....	02
42147	5557	Feed (back) Bar.....	1 75
61c	5557	" " " Hinge Screw.....	06
42148	5557	" " Connecting Link.....	75
1132c	5557	" " " " Hinge Screw	06
42149	5533	" " Dog.....	75
203c	5554	" " " Screw.....	03
42150	5557	" " Regulator.....	2 00
1132c	5557	" " " Hinge Screw....	06
190D	5557	" " " Set Screw.....	03
1444c	5557	" " " Thumb Screw....	10
42151	5557	" (front) Bar with 1253C.....	2 75
42007	5529	" " " Hinge Pin.....	15
1253c	5529	" " " " Set Screw..	03
42008	5529	" " Connecting Rod with 42009 and two 1057E.....	06
*42009	---	Feed (front) Connecting Rod Cap.....	—
1057E	5529	" " " " " Screw	04

NO.	PLATE	NAME	EACH
1373C	5529	Feed (front) Connecting Rod Hinge Screw.....	\$ 10
1520E	5529	Feed (front) Connecting Rod Hinge Screw Nut.....	03
42182	5536	Feed (front) Dog.....	75
190D	5536	" " " Screw.....	03
42011	5529	" " Eccentric with two 453C....	1 00
42153	5527	" " " Cover.....	40
207F	5529	" " " Screw.....	02
453C	5529	" " " Set Screw.....	02
42012	5529	" " Lifting Eccentric with two 462C.....	1 50
42013	5529	Feed (front) Lifting Eccentric Connection.....	1 00
462C	5529	Feed (front) Lifting Eccentric Set Screw	02
1374C	5530	" " Regulating Screw Stud	15
1680C	5530	" " " " " Nut.....	06
8800	5530	Feed (front) Regulating Screw Stud Washer.....	06
42014	5530	Feed (front) Regulator with 233D and two 1259C.....	1 25
42015	5529	Feed (front) Regulator Connection with 1012E.....	1 00
1012E	5529	Feed (front) Regulator Connection Adjusting Screw.....	05
1373C	5529	Feed (front) Regulator Connection Hinge Screw.....	10
1520E	5529	Feed (front) Regulator Connection Hinge Screw Nut.....	03
42016	5530	Feed (front) Regulator Hinge Stud.....	60
42017	5529	" " " Indicator.....	25
42018	5530	" " " " " Plate	25
337D	5530	" " " " " Screw.....	02
207F	5529	Feed (front) Regulator Indicator Screw.	02
1259C	5530	" " " Set Screw.....	03
233D	5530	" " " Stop Screw.....	02
42154	5557	" " Rock Shaft.....	1 50
42155	—	Feed (front) Rock Shaft complete, Nos. 42021 and 42154.....	1 85
42021	5530	Feed (front) Rock Shaft Crank with 157E.....	35
157E	5530	Feed (front) Rock Shaft Crank Clamping Screw.....	04
42098	5530	Feed (front) Rock Shaft Hinge Pin....	25
42079	5530	" " " " " " Bushing.....	50

NO.	PLATE	NAME	EACH
1036C	5530	Feed (front) Rock Shaft Hinge Pin Bushing Set Screw.....	\$ 03
*42022	—	Frame.....	—
42023	5525	" Rotary Shaft.....	2 00
42024	5525	" " " Bushing (front)...	35
1036C	5530	" " " " " Set Screw.....	03
42025	5553	Frame Rotary Shaft Crank with 1259C and 1375C.....	2 00
1375C	5553	Frame Rotary Shaft Crank Position Screw.....	03
1259C	5553	Frame Rotary Shaft Crank Set Screw..	03
42026	5525	" " " Flanged Bushing (back).....	60
40326	5555	Frame Rotary Shaft Flanged Bushing (back) Oil Pad (braided cotton)....	01
1036C	5530	Frame Rotary Shaft Flanged Bushing (back) Set Screw.....	03
42027	5527	Frame Side Cover (left) with 19045....	25
19045	5543	" " " " Handle.....	05
330D	5562	" " " " Screw.....	02
42028	5526	" " " (right) hinged).....	40
42101	5543	" " " " Lock Spring..	02
330H	5562	" " " " Screw.....	02
42029	5527	" Top Cover.....	2 50
42030	5543	" " " Extension.....	25
42102	5543	" " " " Holder	2 00
283D	5543	" " " " " Thumb Screw.....	10
2749	5543	Frame Top Cover Extension Holder Thumb Screw Washer.....	01
176D	5543	Frame Top Cover Extension Screw.....	03
742F	5562	" " " Screw.....	05
42111	5542	Knife (movable).....	15
NOTE. Two No. 42111 are sent with this Machine.			
42112	5542	Knife (movable) Gib.....	50
42035	5542	" " " Holder.....	50
42113	—	" " " 42035 with 133F, 42037, 42040, 42112 and two 404D.....	1 25
42037	5542	Knife (movable) Holder Cap.....	15
404D	5542	" " " " Screw....	02
42038	5542	" " " " Guide with 336F.....	30
42039	5542	Knife (movable) Holder Guide Plate	15
621D	5542	" " " " " Screw.....	02

NO.	PLATE	NAME	EACH
336F	5542	Knife (movable) Holder Guide Set Screw	\$ 02
133F	5542	" " " Screw	04
42040	5542	" " " Extension	
		Pin	03
42041	5542	Knife (movable) Holder Spring	03
42042	5542	" " Lever	1 50
42043	5542	" " Connection with 42044 and two 175E	1 00
*42044	—	Knife (movable) Lever Connection Cap	—
175E	5542	" " " " " "	
		Screw	02
1373C	5542	Knife (movable) Lever Connection Hinge Screw	10
1520E	5542	Knife (movable) Lever Connection Hinge Screw Nut	03
42045	5542	Knife (movable) Lever Hinge Stud	50
1229c	5542	" " " " " Set Screw	04
42046	5543	Knife (stationary) with 42049	15
NOTE. Two No. 42046 are sent with this Machine.			
42048	5543	Knife (stationary) Clamping Stud	40
1534D	5543	" " " " Thumb Nut	10
42156	5545	Knife (stationary) Holder	3 50
1376C	5543	" " " " Regulating Thumb Screw	10
1101C	5543	Knife (stationary) Holder Screw	10
440F	5543	" " " " Stop Screw	03
1547D	5543	" " " " " Nut	03
42049	5543	Knife (stationary) Stud	02
42114	5554	Looper (left hand)	2 00
42051	5553	" " " " Lever with 209H	3 00
42052	5553	" " " " " Connecting Link	75
378C	5553	Looper (left hand) Lever Connecting Link Hinge Screw	10
1520B	5553	Looper (left hand) Lever Connecting Link Hinge Screw Nut	03
42053	5553	Looper (left hand) Lever Hinge Stud	1 25
1036C	5553	" " " " " " " " Set Screw	03
209H	5553	Looper (left hand) Set Screw	02
42166	5553	" (right hand)	2 25
42073	5553	" " " " and Spreader Lever with 1259c	3 50

NO.	PLATE	NAME	EACH
42074	5553	Looper (right hand) and Spreader Lever Ball Stud	\$ 75
1259C	5553	Looper (right hand) and Spreader Lever Ball Stud Set Screw	03
42075	5553	Looper (right hand) and Spreader Lever Connection with 42059, 42076 and four 1057E	1 50
*42076	—	Looper (right hand) and Spreader Lever Connection Cap (lower)	35
1057E	5553	Looper (right hand) and Spreader Lever Connection Cap (lower) Screw	04
*42059	—	Looper (right hand) and Spreader Lever Connection Cap (upper)	35
1057E	5553	Looper (right hand) and Spreader Lever Connection Cap (upper) Screw	04
42077	5554	Looper (right hand) and Spreader Lever Connection Guide	75
171F	5554	Looper (right hand) and Spreader Lever Connection Guide Screw	03
42106	5554	Looper (right hand) and Spreader Lever Connection Oil Tube and Bracket with 29599	50
29599	5554	Looper (right hand) and Spreader Lever Connection Oil Tube Packing (felt) per 100	25
42078	5554	Looper (right hand) and Spreader Lever Hinge Pin	25
42079	5554	Looper (right hand) and Spreader Lever Hinge Pin Bushing	50
1259C	5554	Looper (right hand) and Spreader Lever Hinge Pin Bushing Set Screw	03
197D	5554	Looper (right hand) Screw	02
42054	5544	Needle Bar	75
42253	5544	" " Bushing	25
462C	5544	" " " " Set Screw	02
42061	5544	" " " " Connecting Bracket with 187D and 223F	1 00
187D	5544	Needle Bar Connecting Bracket Clamping Screw	02
42055	5544	Needle Bar Connecting Link	1 25
40247	5544	" " " " " Hinge Pin	05
223F	5544	" " " " " " " " Set Screw for 42061	02
904C	5544	Needle Bar Connecting Link Hinge Pin Set Screw for 42104	02
42057	5544	Needle Bar Connecting Rod with 42059, 42076 and four 1057E	1 50

NO.	PLATE	NAME	EACH
*42076	—	Needle Bar Connecting Rod Cap (lower)	\$ 35
1057E	5553	“ “ “ “ “ “	
		Screw.....	04
*42059	—	Needle Bar Connecting Rod Cap (upper)	35
1057E	5553	“ “ “ “ “ “	
		Screw.....	04
42077	5554	Needle Bar Connecting Rod Guide.....	75
171F	5554	“ “ “ “ “ “ Screw	03
42103	5544	“ “ Crank (back) with 1258c and two 1259c.....	75
42074	5553	Needle Bar Crank (back) Ball Stud.....	75
1259C	5553	“ “ “ “ “ “ Set	
		Screw.....	03
1259C	5553	Needle Bar Crank (back) Position Screw	03
1258c	5544	“ “ “ “ Set Screw.....	02
42104	5544	“ “ “ “ (front) with 904c, 1258c and 1259c.....	75
1259C	5553	Needle Bar Crank (front) Position Screw	03
1258C	5544	“ “ “ “ Set Screw.....	02
42105	5544	“ “ “ Shaft.....	50
42115	5544	“ “ Thread Retainer Bracket	75
228D	5544	“ “ “ “ “ “	
		Screw.....	02
10106	5544	Needle Bar Thread Retainer Disc.....	03
93H	5544	“ “ “ “ Screw.....	04
10107	5544	“ “ “ “ Spring.....	01
1629C	5544	“ Clamping Nut.....	05
42066	5544	“ Guard.....	40
171F	5544	“ “ Screw.....	03
42183	—	Presser Foot Body.....	3 50
42184	5536	“ “ Chaining-off Finger.....	75
233D	5536	“ “ “ “ Screw	02
9320	5536	“ “ Hinge Pin..... per 100	10
42159	—	“ “ Plate.....	2 00
14058	5536	“ “ Spring.....	02
42160	5536	“ “ Adjusting Pin.....	05
464C	5536	“ “ “ “ “ “ Set	
		Screw.....	02
42185	5536	Presser Foot (spring hinged) complete, Nos. 233D, 464C, 9320, 14058, 42159, 42160, 42183 and 42184.....	6 50
1324C	5545	Presser Foot Screw.....	05
39541	5545	“ “ “ Washer.....	05
42069	5545	“ Lever.....	2 50
42045	5545	“ “ Hinge Stud.....	50
1120C	5545	“ “ “ “ Set Screw.....	03
42070	5545	“ “ Lifter.....	20
85D	5545	“ “ “ Hinge Screw.....	05

NO.	PLATE	NAME	EACH
1377C	5745	Presser Lever Screw Stud (eccentric)....	\$ 10
1547D	5545	“ “ “ “ Nut.....	03
42071	5545	“ “ Spring.....	05
1378D	5545	Pressure Regulating Thumb Screw.....	10
42072	5554	Spreader.....	2 50
197D	5554	“ Screw.....	02
2102	5556	Tension (looper, left hand) Disc.....	05
1560C	5556	“ “ “ “ Regulating	
		Thumb Nut.....	04
828F	5556	Tension (looper, left hand) Screw Stud.	08
42121	5556	“ “ “ “ Spring.....	03
2102	5556	“ (looper, right hand) Disc.....	05
1560C	5556	“ “ “ “ Regulating	
		Thumb Nut.....	04
828F	5556	Tension (looper, right hand) Screw Stud	08
10148	5556	“ “ “ “ Spring.....	03
17547	5556	“ “ “ “ Thread	
		Guide.....	25
2102	5556	Tension (needle thread) Disc.....	05
1560C	5556	“ “ “ “ Regulating	
		Thumb Nut.....	04
916F	5556	Tension (needle thread) Screw Stud.....	08
10148	5556	“ “ “ “ Spring.....	03
42082	5556	“ “ “ “ Thread Guide.....	50
42083	5553	Thread (looper, left hand) Eyelet.....	40
233D	5553	“ “ “ “ “ Screw	02
42084	5556	“ “ “ “ Tube.....	30
462C	5556	“ “ “ “ Set Screw	02
42093	5556	“ (looper, right hand) Staple.....	50
190D	5556	“ “ “ “ “ Screw	03
42127	5556	“ “ “ “ “ Take-up	35
197F	5556	“ “ “ “ “ “	
		Screw.....	02
42096	5556	Thread (needle) Eyelet.....	25
217F	5556	“ “ “ “ Screw.....	03
42162	5555	“ “ Take-up.....	75
197F	5556	“ “ “ “ “ Screw.....	02
42186	5536	Throat Plate for 42149 and 42182.....	3 00
742F	5562	“ “ “ “ “ Screw.....	05
42188	5536	Welt Guide (hinged).....	3 50
42187	5536	“ “ (solid).....	75
42189	5536	“ “ Holder.....	3 00
1209C	5536	“ “ “ “ “ Screw.....	04
19044	5536	“ “ “ “ “ Washer.....	02
1117D	5536	“ “ Regulating Thumb Screw... ..	10
190D	5536	“ “ “ “ “ Screw.....	03



**LIST OF PARTS COMPLETE  
FOR  
MACHINE NO. 81-10**

**NO TRIMMER. FOR OVER-EDGING BLANKETS, CARPETS AND HEAVY  
FABRICS, BIGHT ADJUSTABLE FROM 1/4 INCH TO 1/2 INCH, GREATEST  
LENGTH OF STITCH 1/4 INCH, THREE-THREAD STITCH.**

This Machine will be fitted for Three Threads, unless otherwise specified  
on order.

NO.	PLATE	NAME	EACH
*42252	—	Arm with two each 462C and 42253	\$12 00
4389	5543	" Dowel Pin	02
949E	5562	" Screw	06
42001	5525	Balance Wheel with 424C and 1354C	1 00
1354C	5562	" " Position Screw	04
424C	5562	" " Set Screw	05
42229	5528	Cloth Plate	3 00
42230	—	Cloth Plate complete, Nos. 42005, 42229, 42231, two 236D and three 229D	6 25
42231	5528	Cloth Plate Extension	3 00
229D	5562	" " " Screw	02
1437D	5562	" " Hinge Screw	10
1655E	5562	" " " " Nut	04
42005	5526	" " Lock Spring	15
236D	5562	" " " " Screw	02
42205	5558	Feed Bar with 1253C	2 50
42007	5529	" " Hinge Pin	15
1253C	5529	" " " " Set Screw	03
42008	5529	" Connecting Rod with 42009 and two 1057E	60
*42009	—	Feed Connecting Rod Cap	—
1057E	5529	" " " " Screw	04
1373C	5529	" " " " Hinge Screw	10
1520E	5529	" " " " " Nut	03
42232	5534	" Dog	85
190D	5536	" " Screw	03
42011	5529	" Eccentric with two 453C	1 00
42094	5526	" " Cover	25
42102	5543	" " " " Holder	2 00
283D	5543	" " " " " T h u m b Screw	10
2749	5543	Feed Eccentric Cover Holder Thumb Screw Washer	01

NO.	PLATE	NAME	EACH
207F	5529	Feed Eccentric Cover Screw	\$ 02
453C	5529	" " " " Set Screw	02
42012	5529	" Lifting Eccentric with two 462C	1 50
42013	5529	" " " " Connection	1 00
462C	5529	" " " " Set Screw	02
1374C	5530	" Regulating Screw Stud	15
1680C	5530	" " " " " Nut	06
8800	5530	" " " " " Washer	06
42014	5530	" Regulator with 233D and two 1259C	1 25
42015	5529	Feed Regulator Connection with 1012E	1 00
1012E	5529	" " " " Adjusting Screw	05
1373C	5529	Feed Regulator Connection Hinge Screw	10
1520E	5529	" " " " " " " Nut	03
42016	5530	Feed Regulator Hinge Stud	60
1259C	5530	" " " " Set Screw	03
233D	5530	" " " " Stop Screw	02
42019	5530	" Rock Shaft	50
42020	—	Feed Rock Shaft complete, Nos. 42019 and 42021	85
42021	5530	Feed Rock Shaft Crank with 157E	35
157E	5530	" " " " " Clamping Screw	04
42098	5530	" " " " Hinge Pin	25
42079	5530	" " " " " Bushing	50
1036C	5530	" " " " " " " Set Screw	03
*42233	—	Frame	—
42210	5525	" Rotary Shaft	3 00
42024	5525	" " " " Bushing (front)	35
1036C	5530	" " " " " " " Set Screw	03
42211	5559	Frame Rotary Shaft Crank with 1036C and 1375C	2 00
1375C	5553	Frame Rotary Shaft Crank Position Screw	03
1036C	5553	Frame Rotary Shaft Crank Set Screw	03
42026	5525	" " " " Flanged Bushing (back)	60
40326	5555	Frame Rotary Shaft Flanged Bushing (back) Oil Pad (braided cotton)	01
1036C	5530	Frame Rotary Shaft Flanged Bushing (back) Set Screw	03
42193	5527	Frame Side Cover (left) with 19045	25
19045	5543	" " " " " Handle	05
330D	5562	" " " " " " " Screw	02

NO.	PLATE	NAME	EACH
42028	5526	Frame Side Cover (right) hinged.....	\$ 40
42192	5560	" " " " Lock Spring	25
330D	5562	" " " " " "	
		Screw.....	02
330D	5562	Frame Side Cover (right) Screw.....	02
42234	5525	" Top Cover.....	2 50
742F	5562	" " " Screw.....	05
42235	5555	Guide Body.....	1 50
42236	5555	" Finger.....	75
233D	5555	" " Screw.....	02
42237	5555	" Smoothing Plate.....	30
203F	5555	" " " Screw.....	03
7071	5555	" " " Washer...	01
42238	5555	Guide complete, Nos. 203F, 7071, 42235 to 42237 and two 233D.....	2 65
217F	5555	Guide Screw.....	03
7071	5555	" " Washer.....	01
42219	5560	Looper (left hand).....	2 00
42051	5553	" " " Lever with 209H.....	3 00
42052	5553	" " " " Connecting Link.....	75
378C	5553	Looper (left hand) Lever Connecting Link Hinge Screw.....	10
1520E	5553	Looper (left hand) Lever Connecting Link Hinge Screw Nut.....	03
42053	5553	Looper (left hand) Lever Hinge Stud....	1 25
1036C	5553	" " " " " " Set Screw.....	03
209H	5553	Looper (left hand) Set Screw.....	02
42239	5561	" (right hand).....	2 25
42073	5553	" " " and Spreader Lever with 1259C.....	3 50
42221	5560	Looper (right hand) and Spreader Lever Ball Stud.....	75
1259C	5553	Looper (right hand) and Spreader Lever Ball Stud Set Screw.....	03
42075	5553	Looper (right hand) and Spreader Lever Connection with 42059, 42076 and four 1057E.....	1 50
*42076	—	Looper (right hand) and Spreader Lever Connection Cap (lower).....	35
1057E	5553	Looper (right hand) and Spreader Lever Connection Cap (lower) Screw.....	04
*42059	—	Looper (right hand) and Spreader Lever Connection Cap (upper).....	35
1057E	5553	Looper (right hand) and Spreader Lever Connection Cap (upper) Screw.....	04

NO.	PLATE	NAME	EACH
42077	5554	Looper (right hand) and Spreader Lever Connection Guide.....	\$ 75
171F	5554	Looper (right hand) and Spreader Lever Connection Guide Screw.....	03
42106	5554	Looper (right hand) and Spreader Lever Connection Oil Tube and Bracket with 29599.....	50
29599	5554	Looper (right hand) and Spreader Lever Connection Oil Tube Packing (felt) per 100.....	25
42078	5554	Looper (right hand) and Spreader Lever Hinge Pin.....	25
42079	5554	Looper (right hand) and Spreader Lever Hinge Pin Bushing.....	50
1259C	5554	Looper (right hand) and Spreader Lever Hinge Pin Bushing Set Screw.....	03
197D	5554	Looper (right hand) Screw.....	02
38534	5560	Needle Bar (hollow).....	75
42253	5544	" " Bushing.....	25
462C	5544	" " " Set Screw.....	02
42222	5560	" " Connecting Bracket with 187D and 223F.....	1 00
187D	5544	Needle Bar Connecting Bracket Clamp- ing Screw.....	02
42055	5544	Needle Bar Connecting Link.....	1 25
40247	5544	" " " " " Hinge Pin	05
223F	5544	" " " " " " " " Set Screw for 42222.....	02
904C	5544	Needle Bar Connecting Link Hinge Pin Set Screw for 42104.....	02
42057	5544	Needle Bar Connecting Rod with 42059, 42076 and four 1057E.....	1 50
*42076	—	Needle Bar Connecting Rod Cap (lower)	35
1057E	5553	" " " " " " " Screw.....	04
*42059	—	Needle Bar Connecting Rod Cap (upper)	35
1057E	5553	" " " " " " " Screw.....	04
42077	5554	Needle Bar Connecting Rod Guide.....	75
171F	5554	" " " " " " Screw	03
42103	5544	" " Crank (back) with 1258C and two 1259C.....	75
42074	5553	Needle Bar Crank (back) Ball Stud....	75
1259C	5553	" " " " " " Set Screw.....	03
1259C	5553	Needle Bar Crank (back) Position Screw	03
1258C	5544	" " " " " Set Screw.....	02
42104	5544	" " " (front) with 904C, 1258C and 1259C.....	75

NO.	PLATE	NAME	EACH
1259C	5553	Needle Bar Crank (front) Position Screw	\$ 03
1258C	5544	" " " " Set Screw	02
42105	5544	" " " Shaft	50
42115	5544	" " Thread Retainer Bracket	75
228D	5544	" " " " " "	
		Screw	02
10106	5544	Needle Bar Thread Retainer Disc	03
93H	5544	" " " " Screw	04
10107	5544	" " " " Spring	01
1629C	5544	" Clamping Nut	05
42066	5544	" Guard	40
42195	5561	" " Holder	3 00
1101C	5543	" " " Screw	10
171F	5544	" " Screw	03
42240	5546	Presser Foot with 233D and 42241	1 50
42241	5546	" " Chaining-off Finger	40
233D	5546	" " " " Screw	02
1324C	5545	" " Screw	05
39541	5545	" " Washer	05
42227	5558	" Lever	2 50
42045	5545	" Hinge Stud	50
1120C	5545	" " " " Set Screw	03
42070	5545	" " Lifter	20
85D	5545	" " Hinge Screw	05
1377C	5545	" " Screw Stud (eccentric)	10
1547D	5545	" " " Nut	03
42071	5545	" " Spring	05
1378D	5545	Pressure Regulating Thumb Screw	10
42250	5560	Spreader	3 00
197D	5554	" Screw	02
2102	5556	Tension (looper, left hand) Disc	05
1560C	5556	" " " " Regulating Thumb Nut	04
828F	5556	Tension (looper, left hand) Screw Stud	08
10148	5556	" " " " Spring	03
2102	5556	" (looper, right hand) Disc	05
1560C	5556	" " " " Regulating Thumb Nut	04
828F	5556	Tension (looper, right hand) Screw Stud	08
10148	5556	" " " " Spring	03
17547	5556	" " " " Thread Guide	25
2102	5556	Tension (needle thread) Disc	05
1560C	5556	" " " " Regulating Thumb Nut	04
916F	5556	Tension (needle thread) Screw Stud	08
2103	5556	" " " " Spring	03
42082	5556	" " " " Thread Guide	50

NO.	PLATE	NAME	EACH
42242	5561	Thread (looper, left hand) Eyelet	\$ 40
233D	5553	" " " " " Screw	02
42122	5554	" " " " " Nipper Spring (lower)	10
42123	5554	Thread (looper, left hand) Nipper Spring (upper)	10
176F	5554	Thread (looper, left hand) Nipper Spring Screw	03
42243	5561	Thread (looper, left hand) Pull-off	20
42244	5561	" " " " " " " " " Eyelet	40
207F	5561	Thread (looper, left hand) Pull-off Eyelet Screw	02
42084	5556	Thread (looper, left hand) Tube	30
462C	5556	" " " " " " " " " Set Screw	02
42093	5556	Thread (looper, right hand) Staple	50
190D	5556	" " " " " " " " " Screw	03
42245	5561	Thread (looper, right hand) Take-up	35
197F	5556	" " " " " " " " " Screw	02
42096	5556	Thread (needle) Eyelet	25
217F	5556	" " " " " " " " " Screw	03
42128	5555	" " " " " " " " " Take-up	50
197F	5556	" " " " " " " " " Screw	02
42246	5534	Throat Plate for 42232	1 35
742F	5562	" " " " " " " " " Screw	05

**LIST OF PARTS COMPLETE  
FOR  
MACHINE NO. 81-11**

**NO TRIMMER, NARROW BIGHT, GREATEST LENGTH OF STITCH  $\frac{1}{4}$  INCH.  
FOR CLOSING SELVAGE EDGES OF KNIT FABRICS, PRODUCING  
A FLAT SEAM.**

This Machine will be fitted for Two Threads, unless otherwise specified  
on order.

NO.	PLATE	NAME	EACH
*42251	—	Arm with two each 462c and 42253.....	\$12 00
4389	5543	" Dowel Pin.....	02
949E	5562	" Screw.....	06
42001	5525	Balance Wheel with 424c and 1354c....	1 00
1354C	5562	" " Position Screw.....	04
424C	5562	" " Set Screw.....	05
42002	5526	Cloth Plate.....	3 00
42107	—	Cloth Plate complete, Nos. 42002, 42003, 42005, 42108, two 236D and five 229D	6 50
42003	5526	Cloth Plate Extension (lower).....	3 00
229D	5562	" " " Screw.....	02
42108	5526	" " " (upper).....	20
229D	5562	" " " Screw.....	02
1437D	5562	" " Hinge Screw.....	10
1655E	5562	" " " Nut.....	04
42005	5526	" " Lock Spring.....	15
236D	5562	" " " Screw.....	02
42205	5558	Feed Bar with 1253C.....	2 50
42007	5529	" " Hinge Pin.....	15
1253C	5529	" " " Set Screw.....	03
42008	5529	" Connecting Rod with 42009 and two 1057E.....	60
*42009	—	Feed Connecting Rod Cap.....	—
1057E	5529	" " " Screw.....	04
1373C	5529	" " " Hinge Screw.....	10
1520E	5529	" " " " Nut.....	03
42289	5535	" Dog.....	75
190D	5536	" " Screw.....	03
42011	5529	" Eccentric with two 453C.....	1 00
42094	5526	" " Cover.....	25
42102	5543	" " " Holder.....	2 00
283D	5543	" " " " Thumb Screw.....	10

NO.	PLATE	NAME	EACH
2749	5543	Feed Eccentric Cover Holder Thumb Screw Washer.....	\$ 01
207F	5529	Feed Eccentric Cover Screw.....	02
453C	5529	" " Set Screw.....	02
42012	5529	" Lifting Eccentric with two 462C....	1 50
42013	5529	" " " Connection.....	1 00
462C	5529	" " " Set Screw.....	02
1374C	5530	" Regulating Screw Stud.....	15
1680C	5530	" " " " Nut.....	06
8800	5530	" " " " Washer....	06
42014	5530	" Regulator with 233D and two 1259C.....	1 25
42015	5529	Feed Regulator Connection with 1012E.	1 00
1012E	5529	" " " Adjusting Screw.....	05
1373C	5529	Feed Regulator Connection Hinge Screw	10
1520E	5529	" " " " " " Nut.....	03
42016	5530	Feed Regulator Hinge Stud.....	60
1259C	5530	" " Set Screw.....	03
233D	5530	" " Stop Screw.....	02
42019	5530	" Rock Shaft.....	50
42020	—	Feed Rock Shaft complete, Nos. 42019 and 42021.....	85
42021	5530	Feed Rock Shaft Crank with 157E.....	35
157E	5530	" " " Clamping Screw	04
42098	5530	" " " Hinge Pin.....	25
42079	5530	" " " " Bushing....	50
1036C	5530	" " " " " " Set Screw.....	03
*42022	—	Frame.....	—
42023	5525	" Rotary Shaft.....	2 00
42024	5525	" " " Bushing (front)....	35
1036C	5530	" " " " " " Set Screw.....	03
42025	5553	Frame Rotary Shaft Crank with 1259C and 1375C.....	2 00
1375C	5553	Frame Rotary Shaft Crank Position Screw.....	03
1259C	5553	Frame Rotary Shaft Crank Set Screw..	03
42026	5525	" " " Flanged Bushing (back).....	60
40326	5555	Frame Rotary Shaft Flanged Bushing (back) Oil Pad (braided cotton)....	01
1036C	5530	Frame Rotary Shaft Flanged Bushing (back) Set Screw.....	03
42193	5527	Frame Side Cover (left) with 19045....	25
19045	5543	" " " " Handle.....	05

NO.	PLATE	NAME	EACH
330D	5562	Frame Side Cover (left) Screw.....	\$ 02
42028	5526	" " " (right) hinged.....	40
42192	5560	" " " " Lock Spring	25
330D	5562	" " " " " " "	
		Screw.....	02
330D	5562	Frame Side Cover (right) Screw.....	02
42029	5527	" Top Cover.....	2 50
742F	5562	" " " Screw.....	05
42194	5560	Guide.....	1 25
217F	5555	" Screw.....	03
7071	5555	" " Washer.....	01
42114	5554	Looper (left hand).....	2 00
42051	5553	" " " Lever with 209H....	3 00
42052	5553	" " " " Connecting Link.....	75
378C	5553	Looper (left hand) Lever Connecting Link Hinge Screw.....	10
1520E	5553	Looper (left hand) Lever Connecting Link Hinge Screw Nut.....	03
42053	5553	Looper (left hand) Lever Hinge Stud...	1 25
1036C	5553	" " " " " " Set Screw.....	03
209H	5553	Looper (left hand) Set Screw.....	02
42166	5553	" (right hand).....	2 25
42073	5553	" " " and Spreader Lever with 1259C.....	3 50
42074	5553	Looper (right hand) and Spreader Lever Ball Stud.....	75
1259C	5553	Looper (right hand) and Spreader Lever Ball Stud Set Screw.....	03
42075	5553	Looper (right hand) and Spreader Lever Connection with 42059, 42076 and four 1057E.....	1 50
*42076	—	Looper (right hand) and Spreader Lever Connection Cap (lower).....	35
1057E	5553	Looper (right hand) and Spreader Lever Connection Cap (lower) Screw.....	04
*42059	—	Looper (right hand) and Spreader Lever Connection Cap (upper).....	35
1057E	5553	Looper (right hand) and Spreader Lever Connection Cap (upper) Screw.....	04
42077	5554	Looper (right hand) and Spreader Lever Connection Guide.....	75
171F	5554	Looper (right hand) and Spreader Lever Connection Guide Screw.....	03
42106	5554	Looper (right hand) and Spreader Lever Connection Oil Tube and Bracket with 29599.....	50

NO.	PLATE	NAME	EACH
29599	5554	Looper (right hand) and Spreader Lever Connection Oil Tube Packing (felt) per 100.....	\$ 25
42078	5554	Looper (right hand) and Spreader Lever Hinge Pin.....	25
42079	5554	Looper (right hand) and Spreader Lever Hinge Pin Bushing.....	50
1259C	5554	Looper (right hand) and Spreader Lever Hinge Pin Bushing Set Screw.....	03
197D	5554	Looper (right hand) Screw.....	02
42054	5544	Needle Bar.....	75
42253	5544	" " Bushing.....	25
462C	5544	" " " Set Screw.....	02
42061	5544	" " Connecting Bracket with 187D and 223F.....	1 00
187D	5544	Needle Bar Connecting Bracket Clamp- ing Screw.....	02
42055	5544	Needle Bar Connecting Link.....	1 25
40247	5544	" " " " Hinge Pin	05
223F	5544	" " " " " "	
		Set Screw for 42061.....	02
904C	5544	Needle Bar Connecting Link Hinge Pin Set Screw for 42104.....	02
42057	5544	Needle Bar Connecting Rod with 42059, 42076 and four 1057E.....	1 50
*42076	—	Needle Bar Connecting Rod Cap (lower)	35
1057E	5553	" " " " " "	
		Screw.....	04
*42059	—	Needle Bar Connecting Rod Cap (upper)	35
1057E	5553	" " " " " "	
		Screw.....	04
42077	5554	Needle Bar Connecting Rod Guide.....	75
171F	5554	" " " " " Screw	03
42103	5544	" " Crank (back) with 1258C and two 1259C.....	75
42074	5553	Needle Bar Crank (back) Ball Stud....	75
1259C	5553	" " " " " " Set Screw.....	03
1259C	5553	Needle Bar Crank (back) Position Screw	03
1258C	5544	" " " " " Set Screw....	02
42104	5544	" " " (front) with 904C, 1258C and 1259C.....	75
1259C	5553	Needle Bar Crank (front) Position Screw	03
1258C	5544	" " " " " Set Screw.....	02
42105	5544	" " " Shaft.....	50
42115	5544	" " Thread Retainer B r a c k e t	75
228D	5544	" " " " " "	
		Screw.....	02

NO.	PLATE	NAME	EACH
10106	5544	Needle Bar Thread Retainer Disc.....	\$ 03
93H	5544	" " " " Screw.....	04
10107	5544	" " " " Spring.....	01
1629C	5544	" Clamping Nut.....	05
42066	5544	" Guard.....	40
42195	5561	" " Holder.....	3 00
1101C	5543	" " " Screw.....	10
171F	5544	" " " Screw.....	03
42196	—	Presser Foot Body.....	3 50
9320	5547	" " Hinge Pin..... per 100	10
42197	—	" " Plate.....	2 00
14058	5547	" " Spring.....	02
42160	5547	" " " Adjusting Pin.....	05
464C	5547	" " " " " Set Screw.....	02
42198	5547	Presser Foot (spring hinged) complete, Nos. 464C, 9320, 14058, 42160, 42196 and 42197.....	4 65
1324C	5545	Presser Foot Screw.....	05
39541	5545	" " " Washer.....	05
42069	5545	" Lever.....	2 50
42045	5545	" " Hinge Stud.....	50
1120C	5545	" " " " Set Screw.....	03
42070	5545	" " Lifter.....	20
85D	5545	" " Hinge Screw.....	05
1377C	5545	" " Screw Stud (eccentric)....	10
1547D	5545	" " " " Nut.....	03
42071	5545	" " Spring.....	05
1378D	5545	Pressure Regulating Thumb Screw.....	10
42072	5554	Spreader.....	2 50
197D	5554	" Screw.....	02
2102	5556	Tension (looper, left hand) Disc.....	05
1560C	5556	" " " " Regulating Thumb Nut.....	04
828F	5556	Tension (looper, left hand) Screw Stud.....	08
10148	5556	" " " " Spring.....	03
2102	5556	" (looper, right hand) Disc.....	05
1560C	5556	" " " " Regulating Thumb Nut.....	04
828F	5556	Tension (looper, right hand) Screw Stud.....	08
10148	5556	" " " " Spring.....	03
17547	5556	" " " " Thread Guide.....	25
2102	5556	Tension (needle thread) Disc.....	05
1560C	5556	" " " " Regulating Thumb Nut.....	04

NO.	PLATE	NAME	EACH
916F	5556	Tension (needle thread) Screw Stud....	\$ 08
10148	5556	" " " Spring.....	03
42082	5556	" " " Thread Guide..	50
42083	5553	Thread (looper, left hand) Eyelet.....	40
233D	5553	" " " " " Screw	02
42084	5556	" " " " Tube.....	30
462C	5556	" " " " " S e t Screw.....	02
42093	5556	Thread (looper, right hand) Staple....	50
190D	5556	" " " " " Screw	03
42127	5556	" " " " " Take-up	35
197F	5556	" " " " " " Screw.....	02
42096	5556	Thread (needle) Eyelet.....	25
217F	5556	" " " Screw.....	03
42128	5555	" " " Take-up.....	50
197F	5556	" " " Screw.....	02
42199	5535	Throat Plate for 42289.....	1 35
742F	5562	" " " Screw.....	05

**LIST OF PARTS COMPLETE  
FOR  
MACHINE NO. 81-12**

NO TRIMMER. HAS CLEARANCE BACK OF PRESSER FOOT FOR CON-  
VENIENCE IN STITCHING AROUND CURVES; BIGHT ADJUSTABLE  
FROM  $\frac{1}{16}$  INCH TO  $\frac{1}{2}$  INCH. FOR FELT, CORK OR  
LEATHER INSOLES, ETC.

(FORMERLY 81 S. V. I.)

This Machine will be fitted for Three Threads, unless otherwise specified  
on order.

NO.	PLATE	NAME	EACH
*42252	—	Arm with two each 462C and 42253	\$12 00
4389	5543	" Dowel Pin	02
949E	5562	" Screw	06
42001	5525	Balance Wheel with 424C and 1354C	1 00
1354C	5562	" " Position Screw	04
424C	5562	" " Set Screw	05
42229	5528	Cloth Plate	3 00
42230	—	Cloth Plate complete, Nos. 42005, 42229, 42231, two 236D and three 229D	6 25
42231	5528	Cloth Plate Extension	3 00
229D	5562	" " " Screw	02
1437D	5562	" " Hinge Screw	10
1655E	5562	" " " Nut	04
42005	5526	" " Lock Spring	15
236D	5562	" " " " Screw	02
42205	5558	Feed Bar with 1253C	2 50
42007	5529	" " Hinge Pin	15
1253C	5529	" " " " Set Screw	03
42008	5529	" Connecting Rod with 42009 and two 1057E	60
*42009	—	Feed Connecting Rod Cap	—
1057E	5529	" " " " Screw	04
1373C	5529	" " " Hinge Screw	10
1520E	5529	" " " " Nut	03
42191	5535	" Dog	75
190D	5536	" " Screw	03
42011	5529	" Eccentric with two 453C	1 00
42094	5526	" " Cover	25
42102	5543	" " " Holder	2 00
283D	5543	" " " " T h u m b Screw	10

## PARTS FOR MACHINE NO. 81-12

NO.	PLATE	NAME	EACH
2749	5543	Feed Eccentric Cover Holder Thumb Screw Washer	\$ 01
207F	5529	Feed Eccentric Cover Screw	02
453C	5529	" " Set Screw	02
42012	5529	" Lifting Eccentric with two 462C	1 50
42013	5529	" " " Connection	1 00
462C	5529	" " " Set Screw	02
1374C	5530	" Regulating Screw Stud	15
1680C	5530	" " " Nut	06
8800	5530	" " " Washer	06
42014	5530	" Regulator with 233D and two 1259C	1 25
42015	5529	Feed Regulator Connection with 1012E	1 00
1012E	5529	" " " Adjusting Screw	05
1373C	5529	Feed Regulator Connection Hinge Screw	10
1520E	5529	" " " " " "	10
		Nut	03
42016	5530	Feed Regulator Hinge Stud	60
1259C	5530	" " Set Screw	03
233D	5530	" " Stop Screw	02
42019	5530	" Rock Shaft	50
42020	—	Feed Rock Shaft complete, Nos. 42019 and 42021	85
42021	5530	Feed Rock Shaft Crank with 157E	35
157E	5530	" " " Clamping Screw	04
42098	5530	" " " Hinge Pin	25
42079	5530	" " " " Bushing	50
1036C	5530	" " " " " " Set Screw	03
*42254	—	Frame	—
42210	5525	" Rotary Shaft	3 00
42024	5525	" " " Bushing (front)	35
1036C	5530	" " " " " " Set Screw	03
42211	5559	Frame Rotary Shaft Crank with 1036C and 1375C	2 00
1375C	5553	Frame Rotary Shaft Crank Position Screw	03
1036C	5553	Frame Rotary Shaft Crank Set Screw	03
42026	5525	" " " Flanged Bushing (back)	60
40326	5555	Frame Rotary Shaft Flanged Bushing (back) Oil Pad (braided cotton)	01
1036C	5530	Frame Rotary Shaft Flanged Bushing (back) Set Screw	03
42193	5527	Frame Side Cover (left) with 19045	25

NO.	PLATE	NAME	EACH
19045	5543	Frame Side Cover (left) Handle.....	\$ 05
330D	5562	" " " " Screw.....	02
42028	5526	" " " (right) hinged.....	40
42192	5560	" " " " Lock Spring	25
330D	5562	" " " " " "	"
		Screw.....	02
330D	5562	Frame Side Cover (right) Screw.....	02
42255	5572	" Top Cover.....	2 50
742F	5562	" " " " Screw.....	05
42256	5573	Guide.....	1 00
217F	5555	" " " " " " Screw.....	03
7071	5555	" " " " " " Washer.....	01
42219	5560	Looper (left hand).....	2 00
42051	5553	" " " " " " Lever with 209H.....	3 00
42052	5553	" " " " " " Connecting Link.....	75
378C	5553	Looper (left hand) Lever Connecting Link Hinge Screw.....	10
1520E	5553	Looper (left hand) Lever Connecting Link Hinge Screw Nut.....	03
42053	5553	Looper (left hand) Lever Hinge Stud	1 25
1036C	5553	" " " " " " " " " "	"
		Set Screw.....	03
209H	5553	Looper (left hand) Set Screw.....	02
42239	5561	" (right hand).....	2 25
42073	5553	" " " " and Spreader Lever with 1259C.....	3 50
42221	5560	Looper (right hand) and Spreader Lever Ball Stud.....	75
1259C	5553	Looper (right hand) and Spreader Lever Ball Stud Set Screw.....	03
42075	5553	Looper (right hand) and Spreader Lever Connection with 42059, 42076 and four 1057E.....	1 50
*42076	—	Looper (right hand) and Spreader Lever Connection Cap (lower).....	35
1057E	5553	Looper (right hand) and Spreader Lever Connection Cap (lower) Screw.....	04
*42059	—	Looper (right hand) and Spreader Lever Connection Cap (upper).....	35
1057E	5553	Looper (right hand) and Spreader Lever Connection Cap (upper) Screw.....	04
42077	5554	Looper (right hand) and Spreader Lever Connection Guide.....	75
171F	5554	Looper (right hand) and Spreader Lever Connection Guide Screw.....	03

NO.	PLATE	NAME	EACH
42106	5554	Looper (right hand) and Spreader Lever Connection Oil Tube and Bracket with 29599.....	\$ 50
29599	5554	Looper (right hand) and Spreader Lever Connection Oil Tube Packing (felt) per 100.....	25
42078	5554	Looper (right hand) and Spreader Lever Hinge Pin.....	25
42079	5554	Looper (right hand) and Spreader Lever Hinge Pin Bushing.....	50
1259C	5554	Looper (right hand) and Spreader Lever Hinge Pin Bushing Set Screw.....	03
197D	5554	Looper (right hand) Screw.....	02
38534	5560	Needle Bar (hollow).....	75
42253	5544	" " " " Bushing.....	25
462C	5544	" " " " Set Screw.....	02
42222	5560	" " " " Connecting Bracket with 187D and 223F.....	1 00
187D	5544	Needle Bar Connecting Bracket Clamping Screw.....	02
42055	5544	Needle Bar Connecting Link.....	1 25
40247	5544	" " " " " " Hinge Pin	05
223F	5544	" " " " " " " " " "	"
		Set Screw for 42222.....	02
904C	5544	Needle Bar Connecting Link Hinge Pin Set Screw for 42104.....	02
42057	5544	Needle Bar Connecting Rod with 42059, 42076 and four 1057E.....	1 50
*42076	—	Needle Bar Connecting Rod Cap (lower)	35
1057E	5553	" " " " " " " " " "	"
		Screw.....	04
*42059	—	Needle Bar Connecting Rod Cap (upper)	35
1057E	5553	" " " " " " " " " "	"
		Screw.....	04
42077	5554	Needle Bar Connecting Rod Guide.....	75
171F	5554	" " " " " " " " " " Screw	03
42103	5544	" " " " Crank (back) with 1258C and two 1259C.....	75
42074	5553	Needle Bar Crank (back) Ball Stud.....	75
1259C	5553	" " " " " " " " " " Set Screw.....	03
1259C	5553	Needle Bar Crank (back) Position Screw	03
1258C	5544	" " " " " " " " " " Set Screw.....	02
42104	5544	" " " " " (front) with 904C, 1258C and 1259C.....	75
1259C	5553	Needle Bar Crank (front) Position Screw	03
1258C	5544	" " " " " " " " " " Set Screw.....	02



NO.	PLATE	NAME	EACH
42105	5544	Needle Bar Crank Shaft.....	\$ 50
42115	5544	“ “ Thread Retainer B r a c k e t	75
228D	5544	“ “ “ “	
		Screw.....	02
10106	5544	Needle Bar Thread Retainer Disc.....	03
93H	5544	“ “ “ “ Screw.....	04
10107	5544	“ “ “ “ Spring.....	01
1629C	5544	“ Clamping Nut.....	05
42066	5544	“ Guard.....	40
42195	5561	“ “ Holder.....	3 00
1101C	5543	“ “ “ Screw.....	10
171F	5544	“ “ “ Screw.....	03
42257	5547	Presser Foot with 233D and 42258.....	1 50
42258	5547	“ “ Chaining-off Finger.....	40
233D	5547	“ “ “ “ Screw.....	02
172C	5562	“ “ “ “ Screw.....	04
39541	5545	“ “ “ “ Washer.....	05
42259	5573	“ Lever.....	2 50
42045	5545	“ “ Hinge Stud.....	50
1120C	5545	“ “ “ “ Set Screw.....	03
42071	5545	“ “ Spring.....	05
1378D	5545	Pressure Regulating Thumb Screw.....	10
42250	5560	Spreader.....	3 00
197D	5554	“ “ Screw.....	02
2102	5556	Tension (looper, left hand) Disc.....	05
1560C	5556	“ “ “ “ Regulating Thumb Nut.....	04
828F	5556	Tension (looper, left hand) Screw Stud.....	08
42121	5556	“ “ “ “ Spring.....	03
2102	5556	“ (looper, right hand) Disc.....	05
1560C	5556	“ “ “ “ Regulating Thumb Nut.....	04
828F	5556	Tension (looper, right hand) Screw Stud.....	08
10148	5556	“ “ “ “ Spring.....	03
17547	5556	“ “ “ “ T h r e a d Guide.....	25
2102	5556	Tension (needle thread) Disc.....	05
1560C	5556	“ “ “ “ Regulating Thumb Nut.....	04
916F	5556	Tension (needle thread) Screw Stud.....	08
2103	5556	“ “ “ “ Spring.....	03
42082	5556	“ “ “ “ Thread Guide.....	50
42242	5561	Thread (looper, left hand) Eyelet.....	40
233D	5553	“ “ “ “ “ “ Screw	02
42122	5554	“ “ “ “ “ “ N i p p e r Spring (lower).....	10
42123	5554	Thread (looper, left hand) Nipper Spring (upper).....	10

NO.	PLATE	NAME	EACH
176F	5554	Thread (looper, left hand) Nipper Spring Screw.....	\$ 03
42243	5561	Thread (looper, left hand) Pull-off	20
42244	5561	“ “ “ “ “ “ Eyelet.....	40
207F	5561	Thread (looper, left hand) Pull-off Eyelet Screw.....	02
42084	5556	Thread (looper, left hand) Tube.....	30
462C	5556	“ “ “ “ “ “ S e t Screw.....	02
42093	5556	Thread (looper, right hand) Staple.....	50
190D	5556	“ “ “ “ “ “ Screw	03
42127	5556	“ “ “ “ “ “ Take-up.....	35
197F	5556	“ “ “ “ “ “ Screw	02
42096	5556	“ (needle) Eyelet.....	25
217F	5556	“ “ “ “ “ “ Screw.....	03
42128	5555	“ “ “ “ “ “ Take-up.....	50
197F	5556	“ “ “ “ “ “ Screw.....	02
42260	5535	Throat Plate for 42191.....	1 35
42261	5573	“ “ “ “ “ “ Extension.....	75
1231F	5573	“ “ “ “ “ “ Screw.....	02
742F	5562	“ “ “ “ “ “ Screw.....	05

## LIST OF PARTS COMPLETE

FOR

## MACHINE NO. 81-13

FOR SERGING PANTS AND THE CUT EDGES OF CLOTH. NO TRIMMER  
HAS GUIDE ADJUSTABLE FOR DIFFERENT THICKNESSES.

This Machine will be fitted for Two Threads, unless otherwise specified  
on order.

NO.	PLATE	NAME	EACH
*42251	—	Arm with two each 462c and 42253.	\$12 00
4389	5543	" Dowel Pin	02
949E	5562	" Screw	06
42001	5525	Balance Wheel with 424c and 1354c	1 00
1354c	5562	" " Position Screw	04
424c	5562	" " Set Screw	05
42002	5526	Cloth Plate	3 00
42107	—	Cloth Plate complete, Nos. 42002, 42003, 42005, 42108, two 236D and five 229D	6 50
42003	5526	Cloth Plate Extension (lower)	3 00
229D	5562	" " " " Screw	02
42108	5526	" " " " (upper)	20
229D	5562	" " " " Screw	02
1437D	5562	" " Hinge Screw	10
1655E	5562	" " " " Nut	04
42005	5526	" " Lock Spring	15
236D	5562	" " " " Screw	02
42205	5558	Feed Bar with 1253c	2 50
42007	5529	" " Hinge Pin	15
1253c	5529	" " " " Set Screw	03
42008	5529	" Connecting Rod with 42009 and two 1057E	60
*42009	—	Feed Connecting Rod Cap	—
1057E	5529	" " " " Screw	04
1373c	5529	" " " " Hinge Screw	10
1520E	5529	" " " " " Nut	03
42267	5537	" Dog	1 25
190D	5536	" " Screw	03
42011	5529	" Eccentric with two 453c	1 00
42094	5526	" " Cover	25
42102	5543	" " " " Holder	2 00
283D	5543	" " " " " T h u m b Screw	10

NO.	PLATE	NAME	EACH
2749	5543	Feed Eccentric Cover Holder Thumb Screw Washer	\$ 01
207F	5529	Feed Eccentric Cover Screw	02
453c	5529	" " Set Screw	02
42012	5529	" Lifting Eccentric with two 462c	1 50
42013	5529	" " " Connection	1 00
462c	5529	" " " Set Screw	02
1374c	5530	" Regulating Screw Stud	15
1680c	5530	" " " " Nut	06
8800	5530	" " " " Washer	06
42014	5530	" Regulator with 233D and two 1259c	1 25
42015	5529	Feed Regulator Connection with 1012E	1 00
1012E	5529	" " " Adjusting Screw	05
1373c	5529	Feed Regulator Connection Hinge Screw	10
1520E	5529	" " " " " " " " Nut	03
42016	5530	Feed Regulator Hinge Stud	60
1259c	5530	" " Set Screw	03
37551	5573	" " Stop	10
233D	5530	" " " " Screw	02
42019	5530	" Rock Shaft	50
42020	—	Feed Rock Shaft complete, Nos. 42019 and 42021	85
42021	5530	Feed Rock Shaft Crank with 157E	35
157E	5530	" " " " Clamping Screw	04
42098	5530	" " " " Hinge Pin	25
42079	5530	" " " " " Bushing	50
1036c	5530	" " " " " " " " Set Screw	03
*42022	—	Frame	—
42023	5525	" Rotary Shaft	2 00
42024	5525	" " " Bushing (front)	35
1036c	5530	" " " " " " " " Set Screw	03
42025	5553	Feed Rotary Shaft Crank with 1259c and 1375c	2 00
1375c	5553	Frame Rotary Shaft Crank Position Screw	03
1259c	5553	Frame Rotary Shaft Crank Set Screw	03
42026	5525	" " " Flanged Bushing (back)	60
40326	5555	Frame Rotary Shaft Flanged Bushing (back) Oil Pad (braided cotton)	01
1036c	5530	Frame Rotary Shaft Flanged Bushing (back) Set Screw	03

NO.	PLATE	NAME	EACH
42193	5527	Frame Side Cover (left) with 19045	\$ 25
19045	5543	" " " " Handle	05
330D	5562	" " " " Screw	02
42028	5526	" " " (right) hinged	40
42192	5560	" " " " Lock Spring	25
330D	5562	" " " " " "	
		Screw	02
330D	5562	Frame Side Cover (right) Screw	02
42029	5527	" Top Cover	2 50
742F	5562	" " " " Screw	05
38571	5573	Guide with 230F and 38572	60
217F	5555	" " " " Screw	02
7071	5555	" " " " Washer	01
38572	5573	" " " " Smoothing Plate	20
230F	5573	" " " " " " Screw	02
42114	5554	Looper (left hand)	2 00
42051	5553	" " " " Lever with 209H	3 00
42052	5553	" " " " " " Connecting Link	75
378C	5553	Looper (left hand) Lever Connecting Link Hinge Screw	10
1520E	5553	Looper (left hand) Lever Connecting Link Hinge Screw Nut	03
42053	5553	Looper (left hand) Hinge Stud	1 25
1036C	5553	" " " " " " Set Screw	03
209H	5553	" " " " " " Set Screw	02
42166	5553	" (right hand)	2 25
42073	5553	" " " " and Spreader Lever with 1259C	3 50
42074	5553	Looper (right hand) and Spreader Lever Ball Stud	75
1259C	5553	Looper (right hand) and Spreader Lever Ball Stud Set Screw	03
42075	5553	Looper (right hand) and Spreader Lever Connection with 42059, 42076 and four 1057E	1 50
*42076	—	Looper (right hand) and Spreader Lever Connection Cap (lower)	35
1057E	5553	Looper (right hand) and Spreader Lever Connection Cap (lower) Screw	04
*42059	—	Looper (right hand) and Spreader Lever Connection Cap (upper)	35
1057E	5553	Looper (right hand) and Spreader Lever Connection Cap (upper) Screw	04
42077	5554	Looper (right hand) and Spreader Lever Connection Guide	75
171F	5554	Looper (right hand) and Spreader Lever Connection Guide Screw	03

NO.	PLATE	NAME	EACH
42106	5554	Looper (right hand) and Spreader Lever Connection Oil Tube and Bracket with 29599	\$ 50
29599	5554	Looper (right hand) and Spreader Lever Connection Oil Tube Packing (felt) per 100	25
42078	5554	Looper (right hand) and Spreader Lever Hinge Pin	25
42079	5554	Looper (right hand) and Spreader Lever Hinge Pin Bushing	50
1259C	5554	Looper (right hand) and Spreader Lever Hinge Pin Bushing Set Screw	03
197D	5554	Looper (right hand) Screw	02
42054	5544	Needle Bar	75
42253	5544	" " " " Bushing	25
462C	5544	" " " " " " Set Screw	02
42061	5544	" " " " " " Connecting Bracket with 187D and 223F	1 00
187D	5544	Needle Bar Connecting Bracket Clamping Screw	02
42055	5544	Needle Bar Connecting Link	1 25
40247	5544	" " " " " " Hinge Pin	05
223F	5544	" " " " " " " " " " Set Screw for 42061	02
904C	5544	Needle Bar Connecting Link Hinge Pin Set Screw for 42104	02
42057	5544	Needle Bar Connecting Rod with 42059, 42076 and four 1057E	1 50
*42076	—	Needle Bar Connecting Rod Cap (lower)	35
1057E	5553	" " " " " " " " " " Screw	04
*42059	—	Needle Bar Connecting Rod Cap (upper)	35
1057E	5553	" " " " " " " " " " Screw	04
42077	5554	Needle Bar Connecting Rod Guide	75
171F	5554	" " " " " " " " " " Screw	03
42103	5544	" " " " " " " " " " Crank (front) with 1258C and two 1259C	75
42074	5553	Needle Bar Crank (back) Ball Stud	75
1259C	5553	" " " " " " " " " " Set Screw	03
1259C	5553	Needle Bar Crank (back) Position Screw	03
1258C	5554	" " " " " " " " " " Set Screw	02
42104	5544	" " " " " " (front) with 904C, 1258C and 1259C	75
1259C	5553	Needle Bar Crank (front) Position Screw	03
1258C	5544	" " " " " " " " " " Set Screw	02

NO.	PLATE	NAME	EACH
42105	5544	Needle Bar Crank Shaft.....	\$ 50
42115	5544	" " Thread Retainer Bracket	75
228D	5544	" " " " " "	
		Screw.....	02
10106	5544	Needle Bar Thread Retainer Disc.....	03
93H	5544	" " " " Screw.....	04
10107	5544	" " " " Spring.....	01
1629C	5544	" Clamping Nut.....	05
42066	5544	" Guard.....	40
42195	5561	" " Holder.....	3 00
1101C	5543	" " " Screw.....	10
171F	5544	" " " Screw.....	03
42268	5549	Presser Foot Chaining-off Finger.....	40
233D	5546	" " " " " Screw.....	02
42269	5549	" " Extension.....	75
197F	5546	" " " " " Screw.....	02
2532	5546	" " Hinge Pin..... per 100	10
42270	-----	" " Plate.....	1 75
42169	-----	" " Shank.....	1 00
42271	5549	Presser Foot (hinged) complete, Nos. 197F, 233D, 2532, 42169 and 42268 to 42270.....	4 00
1324C	5545	Presser Foot Screw.....	05
39541	5545	" " " Washer.....	05
42069	5545	" Lever.....	2 50
42045	5545	" " Hinge Stud.....	50
1120C	5545	" " " " Set Screw.....	03
42070	5545	" " Lifter.....	20
85D	5545	" " " Hinge Screw.....	05
1377C	5545	" " Screw Stud (eccentric)....	10
1547D	5545	" " " " Nut.....	03
42071	5545	" " Spring.....	05
1378D	5545	Pressure Regulating Thumb Screw.....	10
42072	5554	Spreader.....	2 50
197D	5554	" Screw.....	02
2102	5556	Tension (looper, left hand) Disc.....	05
1560C	5556	" " " " Regulating Thumb Nut.....	04
828F	5556	Tension (looper, left hand) Screw Stud.....	08
10148	5556	" " " " Spring.....	03
2102	5556	" (looper, right hand) Disc.....	05
1560C	5556	" " " " Regulating Thumb Nut.....	04
828F	5556	Tension (looper, right hand) Screw Stud.....	08
10148	5556	" " " " Spring.....	03
17547	5556	" " " " Thread Guide.....	25

NO.	PLATE	NAME	EACH
2102	5556	Tension (needle thread) Disc.....	\$ 05
1560C	5556	" " " " Regulating Thumb Nut.....	04
916F	5556	Tension (needle thread) Screw Stud.....	08
10148	5556	" " " " Spring.....	03
42082	5556	" " " " Thread Guide.....	50
42083	5553	Thread (looper, left hand) Eyelet.....	40
233D	5553	" " " " " Screw.....	02
42084	5556	" " " " " Tube.....	30
462C	5556	" " " " " Set Screw.....	02
42093	5556	Thread (looper, right hand) Staple.....	50
190D	5556	" " " " " Screw.....	03
42127	5556	" " " " " Take-up.....	35
197F	5556	" " " " " " Screw.....	02
42096	5556	Thread (needle) Eyelet.....	25
217F	5556	" " " " " Screw.....	03
42128	5555	" " " " " Take-up.....	50
197F	5556	" " " " " " Screw.....	02
42272	5537	Throat Plate for 42267.....	1 50
742F	5562	" " " " " " Screw.....	05

## LIST OF PARTS COMPLETE

FOR

## MACHINE NO. 81-14

FOR CLOSING HEAVY GLOVES, OVER-EDGING SHOE TOPS, ETC. NO  
TRIMMER, NARROW BIGHT, ADJUSTABLE FROM  $\frac{3}{16}$  INCH TO  $\frac{3}{4}$  INCH,  
HAS CLEARANCE BACK OF NEEDLE FOR STITCHING AROUND  
ABRUPT CURVES, ROLLER PRESSER, FOOT LIFTER.

This Machine will be fitted for Two Threads, unless otherwise specified  
on order.

NO.	PLATE	NAME	EACH
*42252	—	Arm with two each 462C and 42253...	\$12 00
4389	5543	" Dowel Pin.....	02
949E	5562	" Screw.....	06
42001	5525	Balance Wheel with 424C and 1354C....	1 00
1354C	5562	" " Position Screw.....	04
424C	5562	" " Set Screw.....	05
42229	5528	Cloth Plate.....	3 00
42230	—	Cloth Plate complete, Nos. 42005, 42229, 42231, two 236D and three 229D.....	6 25
42231	5528	Cloth Plate Extension.....	3 00
229D	5562	" " " Screw.....	02
1437D	5562	" " Hinge Screw.....	10
1655E	5562	" " " " Nut.....	04
42005	5526	" " Lock Spring.....	15
236D	5562	" " " " Screw.....	02
42205	5558	Feed Bar with 1253C.....	2 50
42007	5529	" " Hinge Pin.....	15
1253C	5529	" " " " Set Screw.....	03
42008	5529	" Connecting Rod with 42009 and two 1057E.....	60
*42009	—	Feed Connecting Rod Cap.....	—
1057E	5529	" " " " Screw.....	04
1373C	5529	" " " Hinge Screw.....	10
1520E	5529	" " " " Nut.....	03
42273	5537	" Dog.....	75
190D	5536	" " Screw.....	03
42011	5529	" Eccentric with two 453C.....	1 00
42094	5526	" " Cover.....	25
42102	5543	" " " Holder.....	2 00
283D	5543	" " " " T h u m b Screw.....	10
2749	5543	Feed Eccentric Cover Holder Thumb Screw Washer.....	01

NO.	PLATE	NAME	EACH
207F	5529	Feed Eccentric Cover Screw.....	\$ 02
453C	5529	" " Set Screw.....	02
42012	5529	" Lifting Eccentric with two 462C....	1 50
42013	5529	" " " Connection.....	1 00
462C	5529	" " " Set Screw.....	02
1374C	5530	" Regulating Screw Stud.....	15
1680C	5530	" " " Nut.....	06
8800	5530	" " " " Washer....	06
42014	5530	" Regulator with 233D and two 1259C.....	1 25
42015	5529	Feed Regulator Connection with 1012E.	1 00
1012E	5529	" " " Adjusting Screw.....	05
1373C	5529	Feed Regulator Connection Hinge Screw	10
1520E	5529	" " " " " "	03
42016	5530	Feed Regulator Hinge Stud.....	60
1259C	5530	" " Set Screw.....	03
233D	5530	" " Stop Screw.....	02
42019	5530	" Rock Shaft.....	50
42020	—	Feed Rock Shaft complete, Nos. 42019 and 42021.....	85
42021	5530	Feed Rock Shaft Crank with 157E....	35
157E	5530	" " " " Clamping Screw	04
42098	5530	" " " Hinge Pin.....	25
42079	5530	" " " " Bushing....	50
1036C	5530	" " " " " Set Screw.....	03
*42254	—	Frame.....	—
42023	5525	" Rotary Shaft.....	2 00
42024	5525	" " " Bushing (front)....	35
1036C	5530	" " " " " Set Screw.....	03
42025	5553	Frame Rotary Shaft Crank with 1259C and 1375C.....	2 00
1375C	5553	Frame Rotary Shaft Crank Position Screw.....	03
1259C	5553	Frame Rotary Shaft Crank Set Screw..	03
42026	5525	" " " Flanged Bushing (back).....	60
40326	5555	Frame Rotary Shaft Flanged Bushing (back) Oil Pad (braided cotton)....	01
1036C	5530	Frame Rotary Shaft Flanged Bushing (back) Set Screw.....	03
42193	5527	Frame Side Cover (left) with 19045....	25
19045	5543	" " " " Handle.....	05
330D	5562	" " " " Screw.....	02

NO.	PLATE	NAME	EACH
42028	5526	Frame Side Cover (right) hinged.....	\$ 40
42192	5560	" " " " Lock Spring	25
330D	5562	" " " " " "	
		Screw.....	02
330D	5562	Frame Side Cover (right) Screw.....	02
42255	5572	" Top Cover.....	2 50
742F	5562	" " " Screw.....	05
42274	5573	Guide.....	1 00
217F	5555	" Screw.....	03
7071	5555	" Washer.....	01
42114	5554	Looper (left hand).....	2 00
42051	5553	" " " Lever with 209H....	3 00
42052	5553	" " " " Connecting Link.....	75
378C	5553	Looper (left hand) Lever Connecting Link Hinge Screw.....	10
1520E	5553	Looper (left hand) Lever Connecting Link Hinge Screw Nut.....	03
42053	5553	Looper (left hand) Lever Hinge Stud....	1 25
1036C	5553	" " " " " " Set Screw.....	03
209H	5553	Looper (left hand) Set Screw.....	02
42166	5553	" (right hand).....	2 25
42073	5553	" " " and Spreader Lever with 1259C.....	3 50
42074	5553	Looper (right hand) and Spreader Lever Ball Stud.....	75
1259C	5553	Looper (right hand) and Spreader Lever Ball Stud Set Screw.....	03
42075	5553	Looper (right hand) and Spreader Lever Connection with 42059, 42076 and four 1057E.....	1 50
*42076	---	Looper (right hand) and Spreader Lever Connection Cap (lower).....	35
1057E	5553	Looper (right hand) and Spreader Lever Connection Cap (lower) Screw.....	04
*42059	---	Looper (right hand) and Spreader Lever Connection Cap (upper).....	35
1057E	5553	Looper (right hand) and Spreader Lever Connection Cap (upper) Screw.....	04
42077	5554	Looper (right hand) and Spreader Lever Connection Guide.....	75
171F	5554	Looper (right hand) and Spreader Lever Connection Guide Screw.....	03
42106	5554	Looper (right hand) and Spreader Lever Connection Oil Tube and Bracket with 29599.....	50

NO.	PLATE	NAME	EACH
29599	5554	Looper (right hand) and Spreader Lever Connection Oil Tube Packing (felt) per 100.....	\$ 25
42078	5554	Looper (right hand) and Spreader Lever Hinge Pin.....	25
42079	5554	Looper (right hand) and Spreader Lever Hinge Pin Bushing.....	50
1259C	5554	Looper (right hand) and Spreader Lever Hinge Pin Bushing Set Screw.....	03
197D	5554	Looper (right hand) Screw.....	02
38534	5560	Needle Bar (hollow).....	75
42253	5544	" " Bushing.....	25
462C	5544	" " " Set Screw.....	02
42222	5560	" " Connecting Bracket with 187D and 223F.....	1 00
187D	5544	Needle Bar Connecting Bracket Clamping Screw.....	02
42055	5544	Needle Bar Connecting Link.....	1 25
40247	5544	" " " " Hinge Pin	05
223F	5544	" " " " " " " " Set Screw for 42222.....	02
904C	5544	Needle Bar Connecting Link Hinge Pin Set Screw for 42104.....	02
42057	5544	Needle Bar Connecting Rod with 42059, 42076 and four 1057E.....	1 50
*42076	---	Needle Bar Connecting Rod Cap (lower)	35
1057E	5553	" " " " " " " " Screw.....	04
*42059	---	Needle Bar Connecting Rod Cap (upper)	35
1057E	5553	" " " " " " " " Screw.....	04
42077	5554	Needle Bar Connecting Rod Guide.....	75
171F	5554	" " " " " " " " Screw	03
42103	5544	" " Crank (back) with 1258c and two 1259C.....	75
42074	5553	Needle Bar Crank (back) Ball Stud....	75
1259C	5553	" " " " " " " " Set Screw.....	03
1259C	5553	Needle Bar Crank (back) Position Screw	03
1258C	5544	" " " " " " " " Set Screw.....	02
42104	5544	" " " " (front) with 904C, 1258C and 1259C.....	75
1259C	5553	Needle Bar Crank (front) Position Screw	03
1258C	5544	" " " " " " " " Set Screw.....	02
42105	5544	" " " Shaft.....	50
42115	5544	" " Thread Retainer Bracket	75
228D	5544	" " " " " " " " Screw.....	02

NO.	PLATE	NAME	EACH
10106	5544	Needle Bar Thread Retainer Disc.....	\$ 03
93H	5544	" " " " Screw.....	04
10107	5544	" " " " Spring.....	01
1629C	5544	" Clamping Nut.....	05
42066	5544	" Guard.....	40
42195	5561	" " Holder.....	3 00
1101C	5543	" " " Screw.....	10
171F	5544	" " " Screw.....	03
42259	5573	Presser Lever.....	2 50
42045	5545	" " Hinge Stud.....	50
1120C	5545	" " " " Set Screw.....	03
42071	5545	" " Spring.....	05
1378D	5545	Pressure Regulating Thumb Screw.....	10
1991	5574	Roller, 1½ in. diam., with 634D and 1528D.....	75
42275	5574	Roller Arm.....	1 25
447F	5574	" " Adjusting Screw.....	03
1547D	5574	" " " " Nut.....	03
42285	5574	" " Bracket.....	1 25
646D	5574	" " Hinge Screw.....	02
42277	5574	" " Lock Spring.....	50
227D	5574	" " " " Screw.....	02
42286	5574	" Presser Finger.....	1 25
42287	5574	Roller Presser complete, 1½ in. roller, Nos. 227D, 447F, 646D, 1547D, 1991, 42275, 42277, 42285 and 42286.....	5 00
172C	5562	Roller Presser Screw.....	04
39541	5545	" " " Washer.....	05
634D	5574	" Screw.....	08
1528D	5574	" " Nut.....	03
42072	5554	Spreader.....	2 50
197D	5554	" Screw.....	02
2102	5556	Tension (looper, left hand) Disc.....	05
1560C	5556	" " " " Regulating Thumb Nut.....	04
828F	5556	Tension (looper, left hand) Screw Stud.....	08
42121	5556	" " " " Spring.....	03
2102	5556	" (looper, right hand) Disc.....	05
1560C	5556	" " " " Regulating Thumb Nut.....	04
828F	5556	Tension (looper, right hand) Screw Stud.....	08
10148	5556	" " " " Spring.....	03
17547	5556	" " " " Thread Guide.....	25
2102	5556	Tension (needle thread) Disc.....	05
1560C	5556	" " " " Regulating Thumb Nut.....	04

NO.	PLATE	NAME	EACH
916F	5556	Tension (needle thread) Screw Stud....	\$ 08
2103	5556	" " " Spring.....	03
42082	5556	" " " Thread Guide.....	50
42083	5553	Thread (looper, left hand) Eyelet.....	40
233D	5553	" " " " Screw.....	02
42084	5556	" " " " Tube.....	30
462C	5556	" " " " " Set Screw.....	02
42093	5556	Thread (looper, right hand) Staple.....	50
190D	5556	" " " " " Screw.....	03
42127	5556	" " " " " Take-up Screw.....	35
197F	5556	" " " " " " Screw.....	02
42096	5556	Thread (needle) Eyelet.....	25
217F	5556	" " " " " Screw.....	03
42128	5555	" " " Take-up.....	50
197F	5556	" " " " " Screw.....	02
42280	5537	Throat Plate for 42273.....	1 35
42261	5573	" " Extension.....	75
1231F	5573	" " " " " Screw.....	02
742F	5562	" " " " " Screw.....	05

## IRON BASE

NO.	PLATE	NAME	EACH
42086	5564	Machine Base with three wood screws 1¼ in. No. 12 and four each 935D, 4718 and 42088.....	\$2 00
4718	5558	Machine Base Cushion (felt).....	01
42088	5558	" Cushion (felt).....	02
935D	5558	" " Screw.....	04

## ACCESSORIES

NO.	PLATE	NAME	EACH
1407E	5563	Machine Base Thumb Screw, for 3 in. table.....	\$ 30
1408E	5563	Machine Base Thumb Screw, for 2 in. table.....	25
14063	5558	Machine Base Thumb Screw Spring	10
9842	5558	" " " " Washer.....	02
25957	5566	Oiler with 25958.....	12
25958	5566	" Spout, 4½ in. long.....	04
26151	5566	Screw Driver.....	10
42090	5566	Threading Wire.....	03
35095	5566	Tweezers, 6 in.....	40
42089	5566	Wrench for 1324, 1374 and 1629.....	10
8908	5566	" " 1520 and 1655.....	08
4822	5566	" " 1528 and 1547.....	05

## HEMMER

NO.	PLATE	NAME	EACH
35864	5548	Hemmer on Shank, for ½ in. hem, for blankets, for 81-10 Machine.....	\$3 00
217F	5548	Hemmer Screw.....	03
7071	5548	" " Washer.....	01
35865	5548	Presser Foot for 35864.....	1 00

## FOOT LIFTER PARTS

NO.	PLATE	NAME	EACH
6439	---	Chain, 36 in. to 45 in.....	\$ 20
NOTE. When ordering No. 6439 give length required.			
4879	5566	Chain Connecting Link.....	03
42130	5565	Lifting Lever for 42133 and 42248.....	75
42281	5565	" " " 42283.....	75
42131	5565	" " Bracket for 42133.....	40
42247	5565	" " " 42248.....	50
42282	5565	" " " 42283.....	50
1229C	5565	" " " Screw for 42133 and 42248.....	04
1288D	5565	Lifting Lever Bracket Screw for 42283..	06
1301D	5565	" " Hinge Screw.....	12
42132	5565	" " Spring for 42133 and 42248.....	03
25033	5565	Lifting Lever Spring for 42283.....	02
1148F	5565	" " Stop Screw for 42133 and 42248.....	05
440F	5543	Lifting Lever Stop Screw for 42283....	03
1547D	5565	" " " " Nut.....	03
4881	5564	Treadle.....	30
4882	5566	" Shaft.....	05
4883	5566	" Spring.....	10
4884	5564	" Stand.....	25
4885	5564	Treadle complete, Nos. 4879, 4881 to 4884 and two wood screws 1 in. No. 16	75
42133	---	Foot Lifter complete for 81-1 to 81-6, 81-11 and 81-13 Machines, Nos. 1301D, 4885, 6439, 42130 to 42132 and two each 1148F, 1229C and 1547D.....	2 50
42248	---	Foot Lifter complete for 81-10 Machine, Nos. 1301D, 4885, 6439, 42130, 42132, 42247 and two each 1148F, 1229C and 1547D.....	2 60
42283	---	Foot Lifter complete for 81-14 Machine, Nos. 440F, 1288D, 1301D, 1547D, 4885, 6439, 25033, 42281 and 42282.....	2 50



## KNEE LIFTER PARTS

NO.	PLATE	NAME	EACH
42130	5565	Lifting Lever for 42144 and 42249.....	\$ 75
42281	5565	" " " 42284.....	75
42131	5565	" " Bracket for 42144.....	40
42247	5565	" " " " 42249.....	50
42282	5565	" " " " 42284.....	50
1229c	5565	" " " Screw for 42144 and 42249.....	04
1288D	5565	Lifting Lever Bracket Screw for 42284..	06
42142	5564	" " Connecting Rod for 42144 and 42249.....	05
1301D	5565	Lifting Lever Hinge Screw.....	12
17886	5572	" " Pitman for 42284.....	10
42132	5565	" " Spring for 42144 and 42249.....	03
25033	5565	Lifting Lever Spring for 42284.....	02
1148F	5565	" " Stop Screw for 42144 and 42249.....	05
440F	5543	Lifting Lever Stop Screw for 42284....	03
1547D	5565	" " " " Nut.....	03
2763	5564	Rock Shaft.....	10
12242	5564	" " Hanger with two wood screws 1 in. No. 10.....	08
2765	5564	Rock Shaft Knee Arm.....	10
2766	5564	" " " " Hub with 356c..	15
356c	5562	" " " " " Set Screw..	06
2768	—	Rock Shaft Knee Arm complete, Nos. 2765 to 2767.....	40
2767	5564	Rock Shaft Knee Plate with 356c.....	18
356c	5562	" " " " " Set Screw.....	06
6337	5564	" " Lifting Bracket with two 356c.....	20
7125	5564	Rock Shaft Lifting Bracket Hook.....	15
356c	5562	" " " " " S e t Screw.....	06
356c	5562	Rock Shaft Lifting Bracket Set Screw..	06
2770	5564	" " Stop Dog with 356c.....	12
356c	5562	" " " " " Set Screw.....	06
42143	5564	Rock Shaft complete, Nos. 2763, 2768, 6337, 7125 and two each 2770 and 12242.....	1 25

## KNEE LIFTER PARTS 85

NO.	PLATE	NAME	EACH
42144	—	Knee Lifter complete for 81-1 to 81-6, 81-11 and 81-13 Machines, Nos. 1301D, 42130 to 42132, 42142, 42143 and two each 1148F, 1229c and 1547D.....	\$2 75
42249	—	Knee Lifter complete for 81-10 Machine, Nos. 1301D, 42130, 42132, 42142, 42143, 42247 and two each 1148F, 1229c and 1547D.....	2 95
42284	—	Knee Lifter complete for 81-14 Machine, Nos. 440F, 1288d, 1301D, 1547D, 17886, 25033, 42143, 42281 and 42282.....	2 85

## KNIFE GRINDER

FOR 42033, 42046, 42111 AND 42213

NO.	PLATE	NAME	EACH
41326	5568	Emery Wheel.....	\$ 80
1508E	5569	" " Clamping Nut.....	06
41327	5568	" " Shaft.....	1 50
41328	5568	" " " Pulley with 1036c..	50
1036c	5569	" " " " Set Screw...	03
41513	5569	" " Washer.....	25
41329	5567	Frame with 1036c.....	5 25
878D	5569	" Oil Hole Stop Screw.....	06
41330	5568	Knife Holder with two 14222.....	1 25
41331	5568	" " Bracket with 157E.....	1 25
157E	5569	" " " Clamping Screw..	04
42065	5569	" " " Hinge Stud.....	75
1036c	5569	" " " " S e t Screw.....	03
717c	5569	Knife Holder Bracket Stop Screw.....	08
1520E	5569	" " " " " Nut..	03
41333	5569	" " Clamp.....	35
41334	5569	" " " Spring.....	03
14222	5569	" " " Steady Pin.....	01
771D	5569	" " " Thumb Screw.....	10
970D	5569	" " Regulating Thumb Screw..	20
313c	5569	" " Screw Centre.....	04
1519E	5569	" " " " Nut.....	03
41332	5569	" " Spring.....	05
41335	—	Knife Grinder complete, Nos. 717c, 970D, 1508E, 1520E, 41326 to 41332, 42065, two each 313c, 771D, 878D, 1519E, 41333, 41334, 41513 and three wood screws 1 1/4 in. No. 12.....	13 35

## SPOOL HOLDER

NO.	PLATE	NAME	EACH
41393	5570	Spool Holder Bracket with two 1143C..	\$1 00
41394	5570	" " Shaft.....	25
41395	5570	" " " Centre Stud.....	10
1143C	5562	" " " " " S e t Screw.....	03
8064	—	Spool Holder Shaft Cone.....	07
41396	5570	" " " " 8064 with 193C	10
193C	5562	" " " " Set Screw.....	03
41397	5570	Spool Holder complete, Nos. 41393, 41394 and two each 41395, 41396 and wood screws 1 1/4 in. No. 12.....	1 75

## THREAD UNWINDER

FOR THREE LARGE SPOOLS OR THREE LARGE CONES OF THREAD.

NO.	PLATE	NAME	EACH
27623	5571	Spool Pin.....	\$ 08
155C	5562	" " Set Screw.....	03
41434	5571	" Rest.....	40
41435	—	" " 41434 with 1149C and three each 155C and 27623.....	75
1149C	5562	Spool Rest Set Screw.....	04
27940	5571	" Stand with 453C.....	20
41514	5571	" Weight, 4 in. diam., with 41515..	15
41515	5558	" " Centre Pin.....	05
27739	5571	Thread Cone (wood).....	05
41632	5571	" Guard with 208E and three 41569.....	40
41569	5558	Thread Guard Eyelet.....	02
41637	5571	" " Rod (lower).....	10
41638	5571	" " " (upper).....	15
41639	5571	" " " Coupling with two 456C.....	20
456C	5562	Thread Guard Rod Coupling Set Screw	02
41640	—	Thread Guard Rod complete, 30 in. long, Nos. 41637 to 41639.....	45
453C	5529	Thread Guard Rod Set Screw.....	02
208E	5562	" " Screw.....	02
41438	5571	Thread Unwinder complete, Nos. 27940, 41435, 41632, 41640 and three each 27739, 41514 and wood screws 1 in. No. 12.....	2 30

## UNDER DRIVER

LEVER PRESSURE, THREE SPEED, RIGHT HAND  
(OIL CONTROLLING PULLEY)

NO.	PLATE	NAME	EACH
27508	362	Belt Guard.....	\$ 08
649E	5562	" " Screw.....	05
27509	362	Cone Pulley (grooved) three speed, 2 1/2 in., 3 3/4 in. and 5 1/4 in. diam., with 27473.....	60
27473	1101	Cone Pulley Centre Bearing.....	08
27474	363	Dress Guard (right hand).....	08
138E	1101	" " Screw.....	05
27630	362	Driving Pulley (grooved) 6 in. diam., with 433C, 27598 and two 7958....	60
27598	—	Driving Pulley Friction Ring (leather)..	05
7958	2642	" " " " Stop Pin..	01
27631	1101	" " Hollow Stud with 27600	15
27600	1101	" " " " Position Stud.....	02
356C	5562	Driving Pulley Hollow Stud Set Screw..	06
27632	—	" " " " Wick.....	01
27633	—	" " " " Wire with 27632.....	05
433C	1101	Driving Pulley Screw Centre Bearing	08
7958	2642	" " " " " "	
		Dowel Pin.....	01
27634	362	Frame.....	60
41338	362	Lever.....	25
27483	1101	" Brake Spring.....	02
27497	1101	" " Strip (leather).....	02
12178	1101	" Centre Plug (wood).....	01
427E	1101	" " " Adjusting Screw.....	08
1508E	1101	" " " " " Nut	06
27485	1101	" Hinge Pin.....	01
27635	362	Oil Cup.....	25
145E	5562	" " Screw.....	04
27070	363	Shaft Driving Pulley (sectional, grooved) 10 in. diam., 1 3/16 in. bore, with two 597C.....	45
597C	2642	Shaft Driving Pulley Clamping Screw..	08
27636	363	Treadle.....	30
9082	1101	" Bearing Cotter Pin.....	01
27637	362	" Pitman Rod (lower).....	05

## UNDER DRIVER

NO	PLATE	NAME	EACH
27638	1101	Treadle Pitman Rod (lower) Spring....	\$ 03
27639	362	" " " (upper).....	05
9079	362	" " " Clamp with 354C..	12
354C	1101	" " " " Screw.....	06
27640	362	Treadle Pitman complete, Nos. 2762, 9079 and 27637 to 27639.....	35
2878	363	Treadle Stand.....	15
2762	2642	" Stop Collar with 362F.....	10
362F	2642	" " " Set Screw.....	05
27642	—	Treadle complete, Nos. 2878, 9082, 27636 and four wood screws 1 in. No. 16.....	45
27643	—	Treadle and Pitman complete, Nos. 27640 and 27642.....	80
27644	—	Transmitter complete for 27645, Nos. 138E, 356C, 427E, 649E, 1508E, 12178, 27474, 27483, 27485, 27497, 27508, 27509, 27630, 27631, 27633 to 27635, 41338, two 145E and four wood screws 1½ in. No. 16.....	3 00
27645	—	Under Driver, lever pressure, three speed, right hand (oil controlling pul- ley) complete, Nos. 27070, 27643 and 27644.....	4 00

## UNDER DRIVER

(BALL BEARING)

LEVER PRESSURE, TWO SPEED, RIGHT HAND.

NO.	PLATE	NAME	EACH
27750	2640	Cone Pulley (grooved) two speed, 3¾ in. and 5¼ in. diam., with 878D and 12459.....	\$ 60
25303	2641	Cone Pulley Ball, size ¼ in. per 100	1 00
27753	2641	" " " Bearing Adjusting Ring.....	15
1143C	2641	Cone Pulley Ball Bearing Adjusting Ring Set Screw.....	03
27795	2641	Cone Pulley Ball Bearing Adjusting Ring Set Screw Washer..... per 100	25
878D	2641	Cone Pulley Oil Hole Stop Screw.....	06
12459	2641	" " " " " Washer (leather)..... per 100	50
27755	2640	Dress Guard (right hand).....	10

## UNDER DRIVER

NO.	PLATE	NAME	EACH
348C	2642	Dress Guard Screw.....	\$ 06
2718	2642	" " " Washer.....	01
27756	2640	Driving Pulley (grooved) 6 in. diam., with 315C, 7958 and 27598.....	60
27598	—	Driving Pulley Friction Ring (leather)..	05
7958	2642	" " " " Stop Pin..	01
315C	2642	" " " Set Screw.....	04
27757	2641	" " " Shaft.....	60
25303	2641	" " " Ball, size ¼ in. per 100.....	1 00
27751	2641	Driving Pulley Shaft Ball Bearing Collar.....	25
27752	2641	Driving Pulley Shaft Ball Bearing Collar Pin.....	04
27758	2641	Driving Pulley Shaft Ball Safety Washer	01
27759	2641	" " " Screw Bearing Ball Case (left).....	20
27760	—	Driving Pulley Shaft Screw Bearing Ball Case (left) complete, Nos. 27758, 27759, 27761 to 27763 and twelve 25303.....	50
27761	2641	Driving Pulley Shaft Screw Bearing Ball Case (left) Friction Stud.....	10
25303	2641	Driving Pulley Shaft Screw Bearing Ball Case (left) Friction Stud Ball, size ¼ in. per 100.....	1 00
27762	2641	Driving Pulley Shaft Screw Bearing Ball Case (left) Friction Stud Ball Plate..	05
27763	2641	Driving Pulley Shaft Screw Bearing Ball Case (left) Friction Stud Ball Plate Washer.....	01
27754	2641	Driving Pulley Shaft Screw Bearing Ball Case (left) Friction Stud Extension Pin.....	02
1122C	2641	Driving Pulley Shaft Screw Bearing Ball Case (left) Set Screw.....	03
27764	2641	Driving Pulley Shaft Screw Bearing Ball Case (right).....	20
27765	—	Driving Pulley Shaft Screw Bearing Ball Case (right) complete, Nos. 27758, 27764 and eight 25303.....	30
1122C	2641	Driving Pulley Shaft Screw Bearing Ball Case (right) Set Screw.....	03
27766	2640	Frame with two 1122C.....	75
27767	2640	Lever with 27768 and two 27878.....	35
1093C	2642	" Adjusting Screw.....	10
1513E	2642	" " " Nut.....	05

## UNDER DRIVER

NO.	PLATE	NAME	EACH
27768	2642	Lever Brake (leather, two pieces).....	\$ 03
27878	2642	" " Rivet.....	01
1092E	2642	" Hinge Screw.....	20
1507E	2642	" " " Nut.....	05
27769	2642	" Spring.....	10
27070	363	Shaft Driving Pulley (sectional, grooved) 10 in. diam., 1 <sup>3</sup> / <sub>16</sub> in. bore, with two 597C.....	45
597C	2642	Shaft Driving Pulley Clamping Screw..	08
27636	363	Treadle.....	30
9082	2642	" Bearing Cotter Pin.....	01
27637	2640	" Pitman Rod (lower).....	05
27638	2642	" " " " Spring.....	03
27639	2640	" " " (upper).....	05
9079	2640	" " " Clamp with 354C.....	12
354C	2642	" " " Screw.....	06
27640	2640	Treadle Pitman complete, Nos. 2762, 9079 and 27637 to 27639.....	35
2878	363	Treadle Stand.....	15
2762	2642	" Stop Collar with 362F.....	10
362F	2642	" " " Set Screw.....	05
27642	—	Treadle complete, Nos. 2878, 9082, 27636 and four wood screws 1 in. No. 16.....	45
27643	—	Treadle and Pitman complete, Nos. 27640 and 27642.....	80
27770	—	Transmitter complete, Nos. 348C, 1092E, 1093C, 1507E, 1513E, 2718, 27750 to 27752, 27754 to 27757, 27760, 27765 to 27767, 27769, two each 1143C, 27753, 27795, three wood screws 2 in. No. 16 and twenty-two 25303.....	3 00
27771	—	Under Driver (ball bearing) lever pres- sure, two speed, right hand, complete, Nos. 27070, 27643 and 27770.....	4 00

## OBSOLETE PARTS

NO.	PLATE	NAME	EACH
*42099	—	Arm for 81-1 and 81-2 Machines, use 42251.....	\$ —
*42206	—	Arm for 81-5 Machine, use 42252.....	—
42100	—	Cloth Plate complete for 81-1 Machine, Nos. 42002 to 42005, two 236D and five 229D.....	6 50
42004	5527	Cloth Plate Extension (upper) for 42100	20
1372F	5562	" " Hinge Screw.....	10
1547D	5565	" " " " Nut.....	03
42191	5535	Feed Dog for 42199 for 81-11 Machine..	75
42210	5525	Frame Rotary Shaft for 81-5 Machine..	3 00
42174	5561	Knife (stationary) Holder Regulating Lever for 81-4 Machine.....	75
42175	5561	Knife (stationary) Holder Regulating Lever Indicator for 81-4 Machine....	25
213F	5559	Knife (stationary) Holder Regulating Lever Indicator Screw.....	03
42091	5561	Looper (right hand) use 42166.....	2 25
42139	—	Presser Foot Plate for 42141.....	1 75
42140	—	" " Shank for 42141.....	1 00
42141	5547	Presser Foot (hinged) complete, for sewing pockets in pants, for 81-2 Machine, Nos. 233D, 2532, 42117, 42139 and 42140.....	3 50
42276	5575	Roller Arm Bracket for 42279.....	1 25
42278	5575	" Presser Finger for 42279.....	1 25
42279	5575	Roller Presser complete, 1 <sup>1</sup> / <sub>2</sub> in. roller, for 81-14 Machine, Nos. 227D, 447F, 646D, 1547D, 1991 and 42275 to 42278	5 00
42092	5561	Thread (looper, right hand) Eyelet, use 42127.....	45

**NUMERICAL LIST OF PARTS**

## NUMERICAL LIST OF PARTS

NO.	PLATE	NAME	EACH
35C	5559	Knife (stationary) Holder Screw for 81-4 Machine.....	\$ 07
61C	5557	Feed (back) Bar Hinge Screw for 81-3, 81-4 and 81-6 Machines.....	06
85D	5545	Presser Lever Lifter Hinge Screw for all machines except 81-12 and 81-14.....	05
93H	5544	Needle Bar Thread Retainer Screw.....	04
104C	5547	Presser Foot Chaining-off Finger Regulating Lever Hinge Screw for 42181.....	04
133F	5542	Knife (movable) Holder Screw for 42036, 42113 and 42215.....	04
138E	1101	Under Driver Dress Guard Screw for 27644.....	05
145E	5562	Under Driver Oil Cup Screw for 27644.....	04
155C	5562	Thread Unwinder Spool Pin Set Screw for 41435.....	03
157E	5530	Feed (front) Rock Shaft Crank Clamping Screw for 42021.....	04
157E	5530	Feed Rock Shaft Crank Clamping Screw for 42021.....	04
157E	5569	Knife Grinder Knife Holder Bracket Clamping Screw for 41331.....	04
171F	5554	Looper (right hand) and Spreader Lever Connection Guide Screw.....	03
171F	5554	Needle Bar Connecting Rod Guide Screw	03
171F	5544	" Guard Screw.....	03
172C	5562	Presser Foot Screw for 81-12 Machine..	04
172C	5562	Roller Presser Screw for 81-14 Machine	04
175E	5542	Knife (movable) Lever Connection Cap Screw for 42043 and 42217.....	02
176D	5543	Frame Top Cover Extension Screw for 81-1 to 81-6 Machines.....	03
176F	5554	Thread (looper, left hand) Nipper Spring Screw for 81-2, 81-5, 81-10 and 81-12 Machines.....	03
187D	5544	Needle Bar Connecting Bracket Clamping Screw for 42061 and 42222.....	02
190D	5557	Feed (back) Regulator Set Screw for 81-3, 81-4 and 81-6 Machines.....	03
190D	5536	Feed (front) Dog Screw for 81-3, 81-4 and 81-6 Machines.....	03
190D	5536	Feed Dog Screw for 81-1, 81-2, 81-5 and 81-10 to 81-14 Machines.....	03

## NUMERICAL LIST OF PARTS

NO.	PLATE	NAME	EACH
190D	5556	Thread (looper, right hand) Staple Screw	\$ 03
190D	5536	Welt Guide Screw for 81-6 Machine....	03
193C	5562	Spool Holder Shaft Cone Set Screw for 41396.....	03
197D	5554	Looper (right hand) Screw.....	02
197F	5546	Presser Foot Extension Screw for 42116, 42136, 42170, 42226 and 42271.....	02
197F	5556	Thread (looper, right hand) Take-up Screw.....	02
197F	5556	Thread (needle) Take-up Screw.....	02
197D	5554	Spreader Screw.....	02
203C	5554	Feed (back) Dog Screw for 81-3, 81-4 and 81-6 Machines.....	03
203F	5555	Guide Smoothing Plate Screw for 42238	03
203F	5554	Tape Guide Screw for 81-2 Machine....	03
207F	5529	Feed Eccentric Cover Screw for 81-1, 81-2, 81-5 and 81-10 to 81-14 Machines	02
207F	5529	Feed (front) Eccentric Cover Screw for 81-3, 81-4 and 81-6 Machines.....	02
207F	5529	Feed (front) Regulator Indicator Screw for 81-3, 81-4 and 81-6 Machines....	02
207F	5529	Feed Regulator Indicator Screw for 81-1, 81-2 and 81-5 Machines.....	02
207F	5561	Thread (looper, left hand) Pull-off Eyelet Screw for 81-10 and 81-12 Machines..	02
208E	5562	Thread Unwinder Thread Guard Screw for 41632.....	02
209H	5553	Looper (left hand) Set Screw for 42051.	02
213F	5559	Knife (stationary) Holder Regulating Lever Indicator Screw, obsolete.....	03
213F	5559	Knife (stationary) Holder Regulating Lever Latch Bracket Screw for 81-4 Machine.....	03
217F	5555	Guide Screw for 81-10 to 81-14 Machines	03
217F	5548	Hemmer Screw for 35864.....	03
217F	5556	Thread (needle) Eyelet Screw.....	03
223F	5544	Needle Bar Connecting Link Hinge Pin Set Screw for 42061 and 42222.....	02
227D	5574	Roller Arm Lock Spring Screw for 42279 and 42287.....	02
228D	5544	Needle Bar Thread Retainer Bracket Screw.....	02
229D	5562	Cloth Plate Extension (lower) Screw for 42100, 42107 and 42146.....	02
229D	5562	Cloth Plate Extension (upper) Screw for 42100, 42107 and 42146.....	02
229D	5562	Cloth Plate Extension Screw for 42230.	02

## NUMERICAL LIST OF PARTS

NO.	PLATE	NAME	EACH
230F	5573	Guide Smoothing Plate Screw for 38571	\$ 02
233D	5530	Feed (front) Regulator Stop Screw for 42014.....	02
233D	5530	Feed Regulator Stop Screw for 42014...	02
233D	5555	Guide Finger Screw for 42238.....	02
233D	5546	Presser Foot Chaining-off Finger Screw for 42067, 42116, 42136, 42141, 42161, 42170, 42185, 42226, 42240, 42257, 42265 and 42271.....	02
233D	5553	Thread (looper, left hand) Eyelet Screw	02
233D	5555	" " " " Pull-off Screw for 81-2 and 81-5 Machines....	02
236D	5562	Cloth Plate Lock Spring Screw for 42100, 42107, 42146 and 42230.....	02
236F	5559	Knife (stationary) Holder Regulating Lever Indicator Screw for 81-4 Machine.....	02
283D	5543	Feed Eccentric Cover Holder Thumb Screw for 81-10 to 81-14 Machines...	10
283D	5543	Frame Top Cover Extension Holder Thumb Screw for 81-1 to 81-6 Machines.....	10
313C	5569	Knife Grinder Knife Holder Screw Centre for 41335.....	04
315C	2642	Under Driver Driving Pulley Set Screw for 27756.....	04
330D	5562	Frame Side Cover (left) Screw.....	02
330D	5562	" " " (right) Lock Spring Screw for 81-10 to 81-14 Machines,	02
330D	5562	Frame Side Cover (right) Screw.....	02
336F	5542	Knife (movable) Holder Guide Set Screw for 42038.....	02
337D	5530	Feed (front) Regulator Indicator Plate Screw for 81-3, 81-4 and 81-6 Machines.....	02
337D	5530	Feed Regulator Indicator Plate Screw for 81-1, 81-2 and 81-5 Machines....	02
337D	5543	Frame Top Cover Extension Cord Guide Screw for 81-1 Machine.....	02
348C	2642	Under Driver Dress Guard Screw for 27770.....	06
354C	1101	Under Driver Treadle Pitman Rod Clamp Screw for 9079.....	06
356C	5562	Rock Shaft Knee Arm Hub Set Screw for 2766.....	06
356C	5562	Rock Shaft Knee Plate Set Screw for 2767.....	06

## NUMERICAL LIST OF PARTS

NO.	PLATE	NAME	EACH
356C	5562	Rock Shaft Lifting Bracket Hook Set Screw for 6337.....	\$ 06
356C	5562	Rock Shaft Lifting Bracket Set Screw for 6337.....	06
356C	5562	Rock Shaft Stop Dog Set Screw for 2770	06
356C	5562	Under Driver Driving Pulley Hollow Stud Set Screw for 27644.....	06
362F	2642	Under Driver Treadle Stop Collar Set Screw for 2762.....	05
378C	5553	Looper (left hand) Lever Connecting Link Hinge Screw.....	10
404D	5542	Knife (movable) Holder Cap Screw for 42036, 42113 and 42215.....	02
424C	5562	Balance Wheel Set Screw for 42001.....	05
427C	1101	Under Driver Lever Centre Plug Ad- justing Screw for 27644.....	08
433C	1101	Under Driver Driving Pulley Screw Centre Bearing for 27630.....	08
440F	5543	Knife (stationary) Holder Stop Screw for 81-1 to 81-6 Machines.....	03
440F	5543	Lifting Lever Stop Screw for 42283 and 42284.....	03
447F	5574	Roller Arm Adjusting Screw for 42279 and 42287.....	03
453C	5529	Feed Eccentric Set Screw for 42011.....	02
453C	5529	" (front) Eccentric Set Screw for 42011.....	02
453C	5529	Thread Unwinder Thread Guard Rod Set Screw for 27940.....	02
456C	5562	Thread Unwinder Thread Guard Rod Coupling Set Screw for 41639.....	02
462C	5529	Feed (front) Lifting Eccentric Set Screw for 42012.....	02
462C	5529	Feed Lifting Eccentric Set Screw for 42012 and 42208.....	02
462C	5544	Needle Bar Bushing Set Screw for 42251 and 42252.....	02
462C	5556	Thread (looper, left hand) Tube Set Screw.....	02
464C	5547	Presser Foot Spring Adjusting Pin Set Screw for 42161, 42181, 42185 and 42198.....	02
464C	5547	Presser Foot Plate (back) Spring Ad- justing Pin Set Screw for 42265.....	02
597C	2642	Under Driver Shaft Driving Pulley Clamping Screw for 27070.....	08
621D	5542	Knife (movable) Holder Guide Plate Screw for 81-1 to 81-6 Machines.....	02

## NUMERICAL LIST OF PARTS

NO.	PLATE	NAME	EACH
634D	5574	Roller Screw for 1991.....	\$ 08
637F	5556	Tension (cord) Screw Stud for 81-1 Machine.....	08
646D	5574	Roller Arm Hinge Screw for 42279 and 42287.....	02
649E	5562	Under Driver Belt Guard Screw for 27644.....	05
717C	5569	Knife Grinder Knife Holder Bracket Stop Screw for 41335.....	08
742F	5562	Frame Top Cover Screw.....	05
742F	5562	Throat Plate Screw.....	05
771D	5569	Knife Grinder Knife Holder Clamp Thumb Screw for 41335.....	10
828F	5556	Tension (looper, left hand) Screw Stud.	08
828F	5556	" (looper, right hand) Screw Stud	08
878D	5569	Knife Grinder Frame Oil Hole Stop Screw for 41335.....	06
878D	2641	Under Driver Cone Pulley Oil Hole Stop Screw for 27750.....	06
904C	5544	Needle Bar Connecting Link Hinge Pin Set Screw for 42104.....	02
916F	5556	Tension (needle thread) Screw Stud.....	08
935D	5558	Machine Cushion Screw for 42086.....	04
949E	5562	Arm Screw.....	06
970D	5569	Knife Grinder Knife Holder Regulating Thumb Screw for 41335.....	20
1012E	5529	Feed (front) Regulator Connection Ad- justing Screw for 42015.....	05
1012E	5529	Feed Regulator Connection Adjusting Screw for 42015.....	05
1036C	5530	Feed (front) Rock Shaft Hinge Pin Bushing Set Screw for 81-3, 81-4 and 81-6 Machines.....	03
1036C	5530	Feed Rock Shaft Hinge Pin Bushing Set Screw for 81-1, 81-2, 81-5 and 81-10 to 81-14 Machines.....	03
1036C	5530	Frame Rotary Shaft Bushing (front) Set Screw.....	03
1036C	5553	Frame Rotary Shaft Crank Set Screw for 42110 and 42211.....	03
1036C	5530	Frame Rotary Shaft Flanged Bushing (back) Set Screw.....	03
1036C	5569	Knife Grinder Emery Wheel Shaft Pulley Set Screw for 41328.....	03
1036C	5569	Knife Grinder Knife Holder Bracket Hinge Stud Set Screw for 41329.....	03
1036C	5553	Looper (left hand) Lever Hinge Stud Set Screw.....	03



NO.	PLATE	NAME	EACH
1057E	5529	Feed Connecting Rod Cap Screw for 42008.....	\$ 04
1057E	5529	Feed (front) Connecting Rod Cap Screw for 42008.....	04
1057E	5553	Looper (right hand) and Spreader Lever Connection Cap (lower) Screw for 42075.....	04
1057E	5553	Looper (right hand) and Spreader Lever Connection Cap (upper) Screw for 42075.....	04
1057E	5553	Needle Bar Connecting Rod Cap (lower) Screw for 42057.....	04
1057E	5553	Needle Bar Connecting Rod Cap (upper) Screw for 42057.....	04
1092E	2642	Under Driver Lever Hinge Screw for 27770.....	20
1093C	2642	Under Driver Lever Adjusting Screw for 27770.....	10
1101C	5543	Knife (stationary) Holder Screw for 81-1 to 81-3, 81-5 and 81-6 Machines.	10
1101C	5543	Needle Guard Screw for 81-10 to 81-14 Machines.....	10
1117D	5536	Welt Guide Regulating Thumb Screw for 81-6 Machine.....	10
1120C	5545	Presser Lever Hinge Stud Set Screw....	03
1122C	2641	Under Driver Driving Pulley Shaft Screw Bearing Ball Case (left) Set Screw for 27766.....	03
1122C	2641	Under Driver Driving Pulley Shaft Screw Bearing Ball Case (right) Set Screw for 27766.....	03
1132C	5557	Feed (back) Connecting Link Hinge Screw for 81-3, 81-4 and 81-6 Machines	06
1132C	5557	Feed (back) Regulator Hinge Screw for 81-3, 81-4 and 81-6 Machines.....	06
1143C	5562	Spool Holder Shaft Centre Stud Set Screw for 41393.....	03
1143C	2641	Under Driver Cone Pulley Ball Bearing Adjusting Ring Set Screw for 27770..	03
1148F	5565	Lifting Lever Stop Screw for 42133, 42144, 42248 and 42249.....	05
1149C	5562	Thread Unwinder Spool Rest Set Screw for 41435.....	04
1209C	5536	Welt Guide Holder Screw for 81-6 Machine.....	04
1229C	5542	Knife (movable) Lever Hinge Stud Set Screw for 81-1 to 81-6 Machines.....	04

NO.	PLATE	NAME	EACH
1229C	5565	Lifting Lever Bracket Screw for 42133, 42144, 42248 and 42249.....	\$ 04
1231F	5573	Throat Plate Extension Screw for 81-12 and 81-14 Machines.....	02
1240F	5559	Knife (stationary) Holder Regulating Lever Latch Hinge Screw for 81-4 Machine.....	05
1250F	5559	Knife (stationary) Holder Regulating Lever Slide Block Screw Stud for 81-4 Machine.....	03
1253C	5529	Feed Bar Hinge Pin Set Screw for 42006 and 42205.....	03
1253C	5529	Feed (front) Bar Hinge Pin Set Screw for 42151.....	03
1258C	5544	Needle Bar Crank (back) Set Screw for 42103.....	02
1258C	5544	Needle Bar Crank (front) Set Screw for 42104.....	02
1259C	5530	Feed (front) Regulator Set Screw for 42014.....	03
1259C	5530	Feed Regulator Set Screw for 42014...	03
1259C	5553	Frame Rotary Shaft Crank Set Screw for 42025.....	03
1259C	5553	Looper (right hand) and Spreader Lever Ball Stud Set Screw for 42073.....	03
1259C	5554	Looper (right hand) and Spreader Lever Hinge Pin Bushing Set Screw.....	03
1259C	5553	Needle Bar Crank (back) Ball Stud Set Screw for 42103.....	03
1259C	5553	Needle Bar Crank (back) Position Screw for 42103.....	03
1259C	5553	Needle Bar Crank (front) Position Screw for 42104.....	03
1288D	5565	Lifting Lever Bracket Screw for 42283 and 42284.....	06
1301D	5565	Lifting Lever Hinge Screw for 42133, 42144, 42248, 42249, 42283 and 42284	12
1324C	5545	Presser Foot Screw for all machines except 81-12 and 81-14.....	05
1354C	5562	Balance Wheel Position Screw for 42001	04
1372F	5562	Cloth Plate Hinge Screw, obsolete.....	10
1373C	5529	Feed Connecting Rod Hinge Screw for 81-1, 81-2, 81-5 and 81-10 to 81-14 Machines.....	10
1373C	5529	Feed (front) Connecting Rod Hinge Screw for 81-3, 81-4 and 81-6 Machines	10

NO.	PLATE	NAME	EACH
1373C	5529	Feed (front) Regulator Connection Hinge Screw for 81-3, 81-4 and 81-6 Machines.....	\$ 10
1373C	5529	Feed Regulator Connection Hinge Screw for 81-1, 81-2, 81-5 and 81-10 to 81-14 Machines.....	10
1373C	5542	Knife (movable) Lever Connection Hinge Screw for 81-1 to 81-6 Machines.....	10
1374C	5530	Feed (front) Regulating Screw Stud for 81-3, 81-4 and 81-6 Machines.....	15
1374C	5530	Feed Regulating Screw Stud for 81-1, 81-2, 81-5 and 81-10 to 18-14 Machines.....	15
1375C	5553	Frame Rotary Shaft Crank Position Screw for 42025, 42110 and 42211.....	03
1376C	5543	Knife (stationary) Holder Regulating Thumb Screw for 81-1 to 81-3, 81-5 and 81-6 Machines.....	10
1377C	5545	Presser Lever Screw Stud (eccentric) for all machines except 81-12 and 81-14.....	10
1378D	5545	Pressure Regulating Thumb Screw.....	10
1407E	5563	Machine Base Thumb Screw, for 3 in. table (Accessories).....	30
1408E	5563	Machine Base Thumb Screw, for 2 in. table (Accessories).....	25
1437D	5562	Cloth Plate Hinge Screw.....	10
1444C	5557	Feed (back) Regulator Thumb Screw for 81-3, 81-4 and 81-6 Machines.....	10
1507E	2642	Under Driver Lever Hinge Screw Nut for 27770.....	05
1508E	5569	Knife Grinder Emery Wheel Clamping Nut for 41335.....	06
1508E	1101	Under Driver Lever Centre Plug Adjusting Screw Nut for 27644.....	06
1513E	2642	Under Driver Lever Adjusting Screw Nut for 27770.....	05
1519E	5569	Knife Grinder Knife Holder Screw Centre Nut for 41335.....	03
1520E	5529	Feed Connecting Rod Hinge Screw Nut for 81-1, 81-2, 81-5 and 81-10 to 81-14 Machines.....	03
1520E	5529	Feed (front) Connecting Rod Hinge Screw Nut for 81-3, 81-4 and 81-6 Machines.....	03
1520E	5529	Feed (front) Regulator Connection Hinge Screw Nut for 81-3, 81-4 and 81-6 Machines.....	03

NO.	PLATE	NAME	EACH
1520E	5529	Feed Regulator Connection Hinge Screw Nut for 81-1, 81-2, 81-5 and 81-10 to 81-14 Machines.....	\$ 03
1520E	5569	Knife Grinder Knife Holder Bracket Stop Screw Nut for 41335.....	03
1520E	5542	Knife (movable) Lever Connection Knife Hinge Screw Nut for 81-1 to 81-6 Machines.....	03
1520E	5553	Looper (left hand) Lever Connecting Link Hinge Screw Nut.....	03
1528D	5574	Roller Screw Nut for 1991.....	03
1534D	5543	Knife (stationary) Clamping Stud Thumb Nut for 81-1 to 81-6 Machines.....	10
1547D	5565	Cloth Plate Hinge Screw Nut, obsolete.....	03
1547D	5543	Knife (stationary) Holder Stop Screw Nut for 81-1 to 81-6 Machines.....	03
1547D	5565	Lifting Lever Stop Screw Nut for 42133, 42144, 42248, 42249, 42283 and 42284.....	03
1547D	5545	Presser Lever Screw Stud Nut for all machines except 81-12 and 81-14.....	03
1547D	5574	Roller Arm Adjusting Screw Nut for 42279 and 42287.....	03
1560C	5556	Tension (cord) Regulating Thumb Nut for 81-1 Machine.....	04
1560C	5556	Tension (looper, left hand) Regulating Thumb Nut.....	04
1560C	5556	Tension (looper, right hand) Regulating Thumb Nut.....	04
1560C	5556	Tension (needle thread) Regulating Thumb Nut.....	04
1629C	5544	Needle Clamping Nut.....	05
1655E	5562	Cloth Plate Hinge Screw Nut.....	04
1680C	5530	Feed (front) Regulating Screw Stud Nut for 81-3, 81-4 and 81-6 Machines.....	06
1680C	5530	Feed Regulating Screw Stud Nut for 81-1, 81-2, 81-5 and 81-10 to 81-14 Machines.....	06
1991	5574	Roller, 1½ in. diam., with 634D and 1528D, for 42279 and 42287.....	75
2102	5556	Tension (cord) Disc for 81-1 Machine.....	05
2102	5556	" (looper, left hand) Disc.....	05
2102	5556	" (looper, right hand) Disc.....	05
2102	5556	" (needle thread) Disc.....	05
2103	5556	" " " Spring for 81-5, 81-10, 81-12 and 81-14 Machines and for sewing very heavy pockets in pants for 81-2 Machine.....	03

NO.	PLATE	NAME	EACH
2532	5546	Presser Foot Hinge Pin for 42141, 42170 and 42271.....per 100	\$ 10
2532	5546	Presser Foot Plate (front) Hinge Pin for 42265.....per 100	10
2718	2642	Under Driver Dress Guard Screw Washer for 27770.....	01
2749	5543	Feed Eccentric Cover Holder Thumb Screw Washer for 81-10 to 81-14 Machines.....	01
2749	5543	Frame Top Cover Extension Holder Thumb Screw Washer for 81-1 to 81-6 Machines.....	01
2762	2642	Under Driver Treadle Stop Collar with 362F, for 27640.....	10
2763	5564	Rock Shaft for 42143.....	10
Nos. 2765 TO 2767 FOR 2768.			
2765	5564	Rock Shaft Knee Arm.....	10
2766	5564	" " " " Hub with 356c..	15
2767	5564	" " " " Plate with 356c.....	18
2768	—	Rock Shaft Knee Arm complete for 42143, Nos. 2765 to 2767.....	40
2770	5564	Rock Shaft Stop Dog with 356c, for 42143.....	12
2878	363	Under Driver Treadle Stand for 27642..	15
4389	5543	Arm Dowel Pin.....	02
4718	5558	Machine Base Cushion (felt) for 42086..	01
4822	5566	Wrench for 1528 and 1547 (Accessories)	05
4879	5566	Chain Connecting Link for 4885.....	03
Nos. 4881 TO 4884 FOR 4885.			
4881	5564	Treadle.....	30
4882	5566	" Shaft.....	05
4883	5566	" Spring.....	10
4884	5564	" Stand.....	25
4885	5564	Treadle complete for 42133, 42248 and 42283, Nos. 4879, 4881 to 4884 and two wood screws 1 in. No. 16.....	75
6337	5564	Rock Shaft Lifting Bracket with two 356c, for 42143.....	20
6439	—	Chain, 36 in. to 45 in., for 42133, 42248 and 42283.....	20
7071	5555	Guide Screw Washer for 81-10 to 81-14 Machines.....	01
7071	5555	Guide Smoothing Plate Screw Washer for 42238.....	01
7071	5548	Hemmer Screw Washer for 35864.....	01

NO.	PLATE	NAME	EACH
7125	5564	Rock Shaft Lifting Bracket Hook for 42143.....	\$ 15
7958	2642	Under Driver Driving Pulley Friction Ring Stop Pin for 27630 and 27756..	01
7958	2642	Under Driver Driving Pulley Screw Centre Bearing Dowel Pin for 27630..	01
8064	—	Spool Holder Shaft Cone for 41396.....	07
8238	5556	Tension (needle thread) Spring for 81-2 Machine.....	05
8800	5530	Feed (front) Regulating Screw Stud Washer for 81-3, 81-4 and 81-6 Machines.....	06
8800	5530	Feed Regulating Screw Stud Washer for 81-1, 81-2, 81-5 and 81-10 to 81-14 Machines.....	06
8908	5566	Wrench for 1520 and 1655 (Accessories)	08
9079	362	Under Driver Treadle Pitman Rod Clamp with 354c, for 27640.....	12
9082	1101	Under Driver Treadle Bearing Cotter Pin for 27642.....	01
9320	5547	Presser Foot Hinge Pin for 42161, 42181, 42185 and 42198.....per 100	10
9320	5547	Presser Foot Plate (back) Hinge Pin for 42265.....per 100	10
9842	5558	Machine Base Thumb Screw Spring Washer (Accessories).....	02
10106	5544	Needle Bar Thread Retainer Disc.....	03
10107	5544	" " " " Spring....	01
10148	5556	Tension (cord) Spring for 81-1 Machine	03
10148	5556	" (looper, left hand) Spring for 81-1, 81-10, 81-11 and 81-13 Machines	03
10148	5556	Tension (looper, right hand) Spring....	03
10148	5556	" (needle thread) Spring for 81-1, 81-3, 81-4, 81-6, 81-11 and 81-13 Machines.....	03
12178	1101	Under Driver Lever Centre Plug (wood) for 27644.....	01
12242	5564	Rock Shaft Hanger with two wood screws 1 in. No. 10 for 42143.....	08
12459	2641	Under Driver Cone Pulley Oil Hole Stop Screw Washer (leather) for 27750, per 100.....	50
14058	5547	Presser Foot Plate (back) Spring for 42265.....	02
14058	5547	Presser Foot Spring for 42161, 42181, 42185 and 42198.....	02
14063	5558	Machine Base Thumb Screw Spring (Accessories).....	10

NO.	PLATE	NAME	EACH
14222	5569	Knife Grinder Knife Holder Clamp Steady Pin for 41330.....	\$ 01
17547	5556	Tension (looper, right hand) Thread Guide.....	25
17886	5572	Lifting Lever Pitman for 42284.....	10
19044	5536	Welt Guide Holder Screw Washer for 81-6 Machine.....	02
19045	5543	Frame Side Cover (left) Handle for 42027 and 42193.....	05
25033	5565	Lifting Lever Spring for 42283 and 42284.....	02
25303	2641	Under Driver Cone Pulley Ball, size $\frac{1}{4}$ in., for 27770..... per 100	1 00
25303	2641	Under Driver Driving Pulley Shaft Ball, size $\frac{1}{4}$ in., for 27760 and 27765, per 100.....	1 00
25303	2641	Under Driver Driving Pulley Shaft Screw Bearing Ball Case (left) Friction Stud Ball, size $\frac{1}{4}$ in., for 27760, per 100.....	1 00
25957	5566	Oiler with 25958 (Accessories).....	12
25958	5566	" Spout, 4 $\frac{1}{2}$ in. long, for 25957.....	04
26151	5566	Screw Driver (Accessories).....	10
26276	5546	Presser Foot Hinge Pin for 42226.....	01
27070	363	Under Driver Shaft Driving Pulley (sectional, grooved) 10 in. diam., 1 $\frac{3}{16}$ in. bore, with two 597c, for 27645 and 27771.....	45
27473	1101	Under Driver Cone Pulley Centre Bear- ing for 27509.....	08
27474	363	Under Driver Dress Guard (right hand) for 27644.....	08
27483	1101	Under Driver Lever Brake Spring for 27644.....	02
27485	1101	Under Driver Lever Hinge Pin for 27644.....	01
27497	1101	" " " Brake Strip (leather) for 27644.....	02
27508	362	Under Driver Belt Guard for 27644.....	08
27509	362	" " Cone Pulley (grooved) three speed, 2 $\frac{1}{2}$ in., 3 $\frac{3}{4}$ in. and 5 $\frac{1}{4}$ in. diam., with 27473, for 27644.....	60
27598	—	Under Driver Driving Pulley Friction Ring (leather) for 27630 and 27756.....	05
27600	1101	Under Driver Driving Pulley Hollow Stud Position Stud for 27631.....	02
27623	5571	Thread Unwinder Spool Pin for 41435.....	08
27630	362	Under Driver Driving Pulley (grooved) 6 in. diam., with 433c, 27598 and two 7958, for 27644.....	60

NO.	PLATE	NAME	EACH
27631	1101	Under Driver Driving Pulley Hollow Stud with 27600, for 27644.....	\$ 15
27632	—	Under Driver Driving Pulley Hollow Stud Wick for 27633.....	01
Nos. 27633 TO 27635 FOR 27644.			
27633	—	Under Driver Driving Pulley Hollow Stud Wick Wire with 27632.....	05
27634	362	Under Driver Frame.....	60
27635	362	" " Oil Cup.....	25
27636	363	" " Treadle for 27642.....	30
Nos. 27637 TO 27639 FOR 27640.			
27637	362	Under Driver Treadle Pitman Rod (lower).....	05
27638	1101	Under Driver Treadle Pitman Rod (lower) Spring.....	03
27639	362	Under Driver Treadle Pitman Rod (upper).....	05
27640	362	Under Driver Treadle Pitman complete for 27643, Nos. 2762, 9079 and 27637 to 27639.....	35
27642	—	Under Driver Treadle complete for 27643, Nos. 2878, 9082, 27636 and four wood screws 1 in. No. 16.....	45
27643	—	Under Driver Treadle and Pitman complete for 27645 and 27771, Nos. 27640 and 27642.....	80
27644	—	Under Driver Transmitter complete for 27645, Nos. 138E, 356c, 427E, 649E, 1508E, 12178, 27474, 27483, 27485, 27497, 27508, 27509, 27630, 27631, 27633 to 27635, 41338, two 145E and four wood screws 1 $\frac{1}{2}$ in. No. 16.....	3 00
27645	—	Under Driver, lever pressure, three speed, right hand (oil controlling pulley) complete, Nos. 27070, 27643 and 27644.....	4 00
27739	5571	Thread Unwinder Thread Cone (wood) for 41438.....	05
Nos. 27750 TO 27757 FOR 27770.			
27750	2640	Under Driver Cone Pulley (grooved) two speed, 3 $\frac{3}{4}$ in. and 5 $\frac{1}{4}$ in. diam., with 878D and 12459.....	60
27751	2641	Under Driver Driving Pulley Shaft Ball Bearing Collar.....	25

NO.	PLATE	NAME	EACH
27752	2641	Under Driver Driving Pulley Shaft Ball Bearing Collar Pin.....	\$ 04
27753	2641	Under Driver Cone Pulley Ball Bearing Adjusting Ring.....	15
27754	2641	Under Driver Driving Pulley Shaft Screw Bearing Ball Case (left) Friction Stud Extension Pin.....	02
27755	2640	Under Driver Dress Guard (right hand)	10
27756	2640	" " Driving Pulley (grooved) 6 in. diam., with 315c, 7958 and 27598	60
27757	2641	Under Driver Driving Pulley Shaft.....	60
27758	2641	" " " " " Ball Safety Washer for 27760 and 27765.	01
27759	2641	Under Driver Driving Pulley Shaft Screw Bearing Ball Case (left) for 27760.....	20
27760	—	Under Driver Driving Pulley Shaft Screw Bearing Ball Case (left) complete for 27770, Nos. 27758, 27759, 27761 to 27763 and twelve 25303....	50
Nos. 27761 TO 27763 FOR 27760.			
27761	2641	Under Driver Driving Pulley Shaft Screw Bearing Ball Case (left) Friction Stud.....	10
27762	2641	Under Driver Driving Pulley Shaft Screw Bearing Ball Case (left) Friction Stud Ball Plate.....	05
27763	2641	Under Driver Driving Pulley Shaft Screw Bearing Ball Case (left) Friction Stud Ball Plate Washer.....	01
27764	2641	Under Driver Driving Pulley Shaft Screw Bearing Ball Case (right) for 27765.....	20
Nos. 27765 TO 27767 FOR 27770.			
27765	—	Under Driver Driving Pulley Shaft Screw Bearing Ball Case (right) complete, Nos. 27758, 27764 and eight 25303.....	30
27766	2640	Under Driver Frame with two 1122c....	75
27767	2640	" " Lever with 27768 and two 27878.....	35
27768	2642	Under Driver Lever Brake (leather, two pieces) for 27767.....	03
27769	2642	Under Driver Lever Spring for 27770..	10

NO.	PLATE	NAME	EACH
27770	—	Under Driver Transmitter complete for 27771, Nos. 348c, 1092E, 1093c, 1507E, 1513E, 2718, 27750 to 27752, 27754 to 27757, 27760, 27765 to 27767, 27769, two each 1143c, 27753, 27795, three wood screws 1 in. No. 16 and twenty-two 25303.....	\$3 00
27771	—	Under Driver (ball bearing) lever pressure, two speed, right hand, complete. Nos. 27070, 27643 and 27770..	4 00
27795	2641	Under Driver Cone Pulley Ball Bearing Adjusting Ring Set Screw Washer for 27770..... per 100	25
27878	2642	Under Driver Lever Brake Rivet for 27767.....	01
27940	5571	Thread Unwinder Spool Stand with 453c, for 41438.....	20
29599	5554	Looper (right hand) and Spreader Lever Connection Oil Tube Packing (felt) for 42106..... per 100	25
35095	5566	Tweezers, 6 in. (Accessories).....	40
35864	5548	Hemmer on Shank, for 1/2 in. hem, for blankets, for 81-10 Machine.....	3 00
35865	5548	Presser Foot for 35864.....	1 00
37551	5573	Feed Regulator Stop for 81-13 Machine	10
38534	5560	Needle Bar (hollow) for 81-5, 81-10, 81-12 and 81-14 Machines.....	75
38571	5573	Guide with 230F and 38572, for 81-13 Machine.....	60
38572	5573	Guide Smoothing Plate for 38571.....	20
39541	5545	Presser Foot Screw Washer for all machines except 81-14.....	05
39541	5545	Roller Presser Screw Washer for 81-14 Machine.....	05
40247	5544	Needle Bar Connecting Link Hinge Pin	05
40326	5555	Frame Rotary Shaft Flanged Bushing (back) Oil Pad (braided cotton).....	01
Nos. 41326 TO 41334 FOR 41335.			
41326	5568	Knife Grinder Emery Wheel.....	80
41327	5568	" " " " S h a f t	1 50
41328	5568	" " " " "	
		Pulley with 1036c.....	50
41329	5567	Knife Grinder Frame with 1036c.....	5 25
41330	5568	" " Knife Holder with two 14222.....	1 25
41331	5568	Knife Grinder Knife Holder Bracket with 157E.....	1 25

NO.	PLATE	NAME	EACH
41332	5569	Knife Grinder Knife Holder Spring.....	\$ 05
41333	5569	“ “ “ “ C l a m p	35
41334	5569	“ “ “ “ “	
		Spring.....	03
41335	—	Knife Grinder complete for 42033, 42046, 42111 and 42213, Nos. 717C, 970D, 1508E, 1520E, 41326 to 41332, 42065, two each 313C, 771D, 878D, 1519E, 41333, 41334, 41513 and three wood screws 1¼ in. No. 12.....	13 35
41338	362	Under Driver Lever for 27644.....	25
Nos. 41393 TO 41396 FOR 41397.			
41393	5570	Spool Holder Bracket with two 1143C...	1 00
41394	5570	“ “ Shaft.....	25
41395	5570	“ “ “ Centre Stud.....	10
41396	5570	“ “ “ Cone 8064 with 193C	10
41397	5570	Spool Holder complete, Nos. 41393, 41394 and two each 41395, 41396 and wood screws 1¼ in. No. 12.....	1 75
41434	5571	Thread Unwinder Spool Rest for 41435	40
41435	—	“ “ “ “ 41434 with 1149C and three each 155C and 27623, for 41438.....	75
41438	5571	Thread Unwinder complete, for three large spools or three large cones of thread, Nos. 27940, 41435, 41632, 41640 and three each 27739, 41514 and wood screws 1 in. No. 12.....	2 30
41513	5569	Knife Grinder Emery Wheel Washer for 41335.....	25
41514	5571	Thread Unwinder Spool Weight, 4 in. diam., with 41515, for 41438.....	15
41515	5558	Thread Unwinder Spool Weight Centre Pin for 41514.....	05
41569	5558	Thread Unwinder Thread Guard Eyelet for 41632.....	02
41632	5571	Thread Unwinder Thread Guard with 208E and three 41569, for 41438.....	40
Nos. 41637 TO 41639 FOR 41640.			
41637	5571	Thread Unwinder Thread Guard Rod (lower).....	10
41638	5571	Thread Unwinder Thread Guard Rod (upper).....	15
41639	5571	Thread Unwinder Thread Guard Rod Coupling with two 456C.....	20

NO.	PLATE	NAME	EACH
41640	—	Thread Unwinder Thread Guard Rod complete, 30 inches long, for 41438, Nos. 41637 to 41639.....	\$ 45
42001	5525	Balance Wheel with 424C and 1354C...	1 00
42002	5526	Cloth Plate for 42100 and 42107.....	3 00
42003	5526	“ “ Extension (lower) for 42100, 42107 and 42146.....	3 00
42004	5527	Cloth Plate Extension (upper) for 42100, obsolete.....	20
42005	5526	Cloth Plate Lock Spring for 42100, 42107, 42146 and 42230.....	15
42006	5529	Feed Bar with 1253C for 81-1, 81-2 and 81-5 Machines.....	2 00
42007	5529	Feed Bar Hinge Pin for 81-1, 81-2, 81-5 and 81-10 to 81-14 Machines.....	15
42007	5529	Feed (front) Bar Hinge Pin for 81-3, 81-4 and 81-6 Machines.....	15
42008	5529	Feed Connecting Rod with 42009 and two 1057E, for 81-1, 81-2, 81-5 and 81-10 to 81-14 Machines.....	60
42008	5529	Feed (front) Connecting Rod with 42009 and two 1057E, for 81-3, 81-4 and 81-6 Machines.....	60
*42009	—	Feed Connecting Rod Cap for 42008.....	—
*42009	—	“ (front) Connecting Rod Cap for 42008.....	—
42010	5532	Feed Dog for 81-1 Machine.....	75
42011	5529	“ Eccentric with two 453C, for 81-1, 81-2, 81-5 and 81-10 to 81-14 Machines	1 00
42011	5529	Feed (front) Eccentric with two 453C, for 81-3, 81-4 and 81-6 Machines....	1 00
42012	5529	Feed Lifting Eccentric with two 462C, for 81-1, 81-2 and 81-10 to 81-14 Machines.....	1 50
42012	5529	Feed (front) Lifting Eccentric with two 462C, for 81-3, 81-4 and 81-6 Machines	1 50
42013	5529	Feed Lifting Eccentric Connection for 81-1, 81-2, 81-5 and 81-10 to 81-14 Machines.....	1 00
42013	5529	Feed (front) Lifting Eccentric for 81-3, 81-4 and 81-6 Machines.....	1 00
42014	5530	Feed Regulator with 233D and two 1259C, for 81-1, 81-2, 81-5 and 81-10 to 81-14 Machines.....	1 25
42014	5530	Feed (front) Regulator with 233D and two 1259C, for 81-3, 81-4 and 81-6 Machines.....	1 25

NO.	PLATE	NAME	EACH
42015	5529	Feed Regulator Connection with 1012E, for 81-1, 81-2, 81-5 and 81-10 to 81-14 Machines.....	\$1 00
42015	5529	Feed (front) Regulator Connection with 1012E, for 81-3, 81-4 and 81-6 Machines.....	1 00
42016	5530	Feed Regulator Hinge Stud for 81-1, 81-2, 81-5 and 81-10 to 81-14 Machines	60
42016	5530	Feed (front) Regulator Hinge Stud for 81-3, 81-4 and 81-6 Machines....	60
42017	5529	Feed Regulator Indicator for 81-1, 81-2 and 81-5 Machines.....	25
42017	5529	Feed (front) Regulator Indicator for 81-3, 81-4 and 81-6 Machines.....	25
42018	5530	Feed Regulator Indicator Plate for 81-1, 81-2 and 81-5 Machines.....	25
42018	5530	Feed (front) Regulator Indicator Plate for 81-3, 81-4 and 81-6 Machines....	25
42019	5530	Feed Rock Shaft for 42020.....	50
42020	—	Feed Rock Shaft complete for 81-1, 81-2, 81-5 and 81-10 to 81-14 Machines, Nos. 42019 and 42021.....	85
42021	5530	Feed Rock Shaft Crank with 157E, for 42020.....	35
42021	5530	Feed (front) Rock Shaft Crank with 157E, for 42155.....	35
*42022	—	Frame for 81-1 to 81-3, 81-6, 81-11 and 81-13 Machines.....	—
42023	5525	Frame Rotary Shaft for 81-1 to 81-4, 81-6, 81-11, 81-13 and 81-14 Machines	2 00
42024	5525	Frame Rotary Shaft Bushing (front)....	35
42025	5553	" " " Crank with 1259C and 1375C, for 81-1, 81-3, 81-4, 81-6, 81-11, 81-13 and 81-14 Machines....	2 00
42026	5525	Frame Rotary Shaft Flanged Bushing (back).....	60
42027	5527	Frame Side Cover (left) with 19045, for 81-1 to 81-6 Machines.....	25
42028	5526	Frame Side Cover (right) hinged.....	40
42029	5527	" Top Cover for 81-1 to 81-6, 81-11 and 81-13 Machines.....	2 50
42030	5543	Frame Top Cover Extension for 81-1 to 81-4 and 81-6 Machines.....	25
42031	5543	Frame Top Cover Extension Cord Guide for 81-1 Machine.....	30
42033	5542	Knife (movable) for 81-1 Machine.....	15
42034	5542	" " " Gib for 42036.....	50

NO.	PLATE	NAME	EACH
42035	5542	Knife (movable) Holder for 42036, 42113 and 42215.....	\$ 50
42036	—	Knife (movable) Holder 42035 with 133F, 42034, 42037, 42040 and two 404D, for 81-1 Machine.....	1 25
42037	5542	Knife (movable) Holder Cap for 42036 and 42113.....	15
42038	5542	Knife (movable) Holder Guide with 336F, for 81-1 to 81-6 Machines.....	30
42039	5542	Knife (movable) Holder Guide Plate for 81-1 to 81-6 Machines.....	15
42040	5542	Knife (movable) Holder Screw Extension Pin for 42036, 42113 and 42215.	03
42041	5542	Knife (movable) Holder Spring for 81-1 to 81-6 Machines.....	03
42042	5542	Knife (movable) Lever for 81-1 to 81-6 Machines.....	1 50
42043	5542	Knife (movable) Lever Connection with 42044 and two 175E, for 81-1 to 81-4 and 81-6 Machines.....	1 00
*42044	—	Knife (movable) Lever Connection Cap for 42043.....	—
42045	5542	Knife (movable) Lever Hinge Stud for 81-1 to 81-6 Machines.....	50
42045	5545	Presser Lever Hinge Stud.....	50
42046	5543	Knife (stationary) with 42049, for 81-1 to 81-6 Machines.....	15
42047	5543	Knife (stationary) Holder for 81-1 Machine.....	3 50
42048	5543	Knife (stationary) Clamping Stud for 81-1 to 81-6 Machines.....	40
42049	5543	Knife (stationary) Stud for 42046.....	02
42050	5553	Looper (left hand) for 81-1 Machine....	2 00
42051	5553	" " " Lever with 209H....	3 00
42052	5553	" " " Connecting Link....	75
42053	5553	" " " Lever Hinge Stud... ..	1 25
42054	5544	Needle Bar for 81-1 to 81-4, 81-6, 81-11 and 81-13 Machines.....	75
42055	5544	Needle Bar Connecting Link.....	1 25
42057	5544	" " " Rod with 42059, 42076 and four 1057E.....	1 50
*42059	—	Looper (right hand) and Spreader Lever Connection Cap (upper) for 42075....	35
*42059	—	Needle Bar Connecting Rod Cap (upper) for 42057.....	35
42061	5544	Needle Bar Connecting Bracket with 187D and 223F, for 81-1 to 81-4, 81-6, 81-11 and 81-13 Machines.....	1 00

NO.	PLATE	NAME	EACH
42065	5569	Knife Grinder Knife Holder Bracket Hinge Stud for 41335.....	\$ 75
42066	5544	Needle Guard.....	40
42067	5546	Presser Foot with 233D and 42068, for 81-1 Machine.....	1 50
42068	5546	Presser Foot Chaining-off Finger for 42067.....	40
42069	5545	Presser Lever for 81-1 to 81-4, 81-6, 81-11 and 81-13 Machines.....	2 50
42070	5545	Presser Lever Lifter for all machines except 81-12 and 81-14.....	20
42071	5545	Presser Lever Spring.....	05
42072	5554	Spreader for 81-1 to 81-4, 81-6, 81-11, 81-13 and 81-14 Machines.....	2 50
42073	5553	Looper (right hand) and Spreader Lever with 1259C.....	3 50
42074	5553	Looper (right hand) and Spreader Lever Ball Stud for 81-1 to 81-4, 81-6, 81-11, 81-13 and 81-14 Machines.....	75
42074	5553	Needle Bar Crank (back) Ball Stud.....	75
42075	5553	Looper (right hand) and Spreader Lever Connection with 42059, 42076 and four 1057E.....	1 50
*42076	—	Looper (right hand) and Spreader Lever Connection Cap (lower) for 42075.....	35
*42076	—	Needle Bar Connecting Rod Cap (lower) for 42057.....	35
42077	5554	Looper (right hand) and Spreader Lever Connection Guide.....	75
42077	5554	Needle Bar Connecting Rod Guide.....	75
42078	5554	Looper (right hand) and Spreader Lever Hinge Pin.....	25
42079	5530	Feed Rock Shaft Hinge Pin Bushing for 81-1, 81-2, 81-5 and 81-10 to 81-14 Machines.....	50
42079	5530	Feed (front) Rock Shaft Hinge Pin Bushings for 81-3, 81-4 and 81-6 Machines.....	50
42079	5554	Looper (right hand) and Spreader Lever Hinge Pin Bushing.....	50
42082	5556	Tension (needle thread) Thread Guide.....	50
42083	5553	Thread (looper left hand) Eyelet for 81-1 to 81-6, 81-11, 81-13 and 81-14 Machines.....	40
42084	5556	Thread (looper, left hand) Tube.....	30
42085	5532	Throat Plate for 42010.....	1 35
42086	5564	Machine Base with three wood screws 1 1/4 in. No. 12 and four each 935D, 4718 and 42088.....	2 00

NO.	PLATE	NAME	EACH
42088	5558	Machine Cushion (felt) for 42086.....	\$ 02
42089	5566	Wrench for 1324, 1374 and 1629 (Accessories).....	10
42090	5566	Threading Wire (Accessories).....	03
42091	5561	Looper (right hand) obsolete, use 42166	2 25
42092	5561	Thread (looper, right hand) Eyelet, obsolete, use 42127.....	45
42093	5556	Thread (looper, right hand) Staple.....	50
42094	5526	Feed Eccentric Cover for 81-1, 81-2, 81-5 and 81-10 to 81-14 Machines.....	25
42096	5556	Thread (needle) Eyelet.....	25
42097	5556	“ “ Take-up for 81-1 Machine.....	75
42098	5530	Feed (front) Rock Shaft Hinge Pin for 81-3, 81-4 and 81-6 Machines.....	25
42098	5530	Feed Rock Shaft Hinge Pin for 81-1, 81-2, 81-5 and 81-10 to 81-14 Machines	25
*42099	—	Arm for 81-1 and 81-2 Machines, obsolete, use 42251.....	—
42100	—	Cloth Plate complete for 81-1 Machine, Nos. 42002 to 42005, two 236D and five 229D, obsolete.....	6 50
42101	5543	Frame Side Cover (right) Lock Spring for 81-1 to 81-6 Machines.....	02
42102	5543	Feed Eccentric Cover Holder for 81-10 to 81-14 Machines.....	2 00
42102	5543	Frame Top Cover Extension Holder for 81-1 to 81-6 Machines.....	2 00
42103	5544	Needle Bar Crank (back) with 1258C and two 1259C.....	75
42104	5544	Needle Bar Crank (front) with 904C, 1258C and 1259C.....	75
42105	5544	Needle Bar Crank Shaft.....	50
42106	5554	Looper (right hand) and Spreader Lever Connection Oil Tube and Bracket with 29599.....	50
42107	—	Cloth Plate complete for 81-1, 81-2, 81-5, 81-11 and 81-13 Machines. Nos. 42002, 42003, 42005, 42108, two 236D and five 229D.....	6 50
42108	5526	Cloth Plate Extension (upper) for 42107 and 42146.....	20
42109	5531	Feed Dog for 81-2 Machine.....	75
42110	5545	Frame Rotary Shaft Crank with 1036C and 1375C, for 81-2 Machine.....	2 00
42111	5542	Knife (movable) for 81-3, 81-4 and 81-6 Machines and for light work for 81-2 Machine.....	15



NO.	PLATE	NAME	EACH
42112	5542	Knife (movable) Gib for 42113.....	\$ 50
42113	—	Knife (movable) Holder 42035 with 133F, 42037, 42040 42112 and two 404D for 42111, for 81-2 to 81-4 and 81-6 Machines.....	1 25
42114	5554	Looper (left hand) for 81-2 to 81-4, 81-6, 81-11, 81-13 and 81-14 Machines....	2 00
42115	5544	Needle Bar Thread Retainer Bracket..	75
42116	5546	Presser Foot complete for 42109, Nos. 197F, 233D, 42118, 42120 and 42138..	2 00
Nos. 42117 to 42119 FOR 42116, 42136 AND 42141			
42117	5546	Presser Foot Chaining-off Finger for $\frac{1}{8}$ in. bight.....	40
42118	5546	Presser Foot Chaining-off Finger for $\frac{3}{16}$ in. bight.....	40
42119	5546	Presser Foot Chaining-off Finger for $\frac{1}{4}$ in. bight.....	40
42120	5546	Presser Foot Extension for 42116, 42136 and 42170.....	75
42121	5556	Tension (looper, left hand) Spring for 81-2 to 81-6, 81-12 and 81-14 Machines	03
42122	5554	Thread (looper, left hand) Nipper Spring (lower) for 81-2, 81-5, 81-10 and 81-12 Machines.....	10
42123	5554	Thread (looper, left hand) Nipper Spring (upper) for 81-2, 81-5, 81-10 and 81-12 Machines.....	10
Nos. 42124 to 42126 FOR 81-2 AND 81-5 MACHINES			
42124	5555	Thread (looper, left hand) Pull-off.....	20
42125	5555	" " " " " Eyelet	30
42126	5555	" (looper, right hand) Pull-off.....	25
42127	5556	" " " " " Take-up for all machines except 81-10.....	35
42128	5555	Thread (needle) Take-up for 81-2, 81-5 and 81-10 to 81-14 Machines.....	50
42129	5531	Throat Plate, for $\frac{1}{8}$ in., $\frac{3}{16}$ in. and $\frac{1}{4}$ in. bight, for 42109.....	1 35
42130	5565	Lifting Lever for 42133, 42144, 42248 and 42249.....	75
42131	5565	Lifting Lever Bracket for 42133 and 42144.....	40
42132	5565	Lifting Lever Spring for 42133, 42144, 42248 and 42249.....	03
42133	—	Foot Lifter complete for 81-1 to 81-6, 81-11 and 81-13 Machines, Nos. 1301D, 4885, 6439, 42130 to 42132 and two each 1148F, 1229C and 1547D.....	2 50

NO.	PLATE	NAME	EACH
42134	5531	Throat Plate, for $\frac{1}{16}$ in. bight, for 42109	\$1 35
42135	—	Presser Foot Body for 42136.....	1 00
42136	5546	Presser Foot complete, for sewing in sleeves, for 42109, Nos. 197F, 233D, 42118, 42120 and 42135.....	2 00
42137	5554	Tape Guide, for sewing in sleeves, for 81-2 Machine.....	15
42138	—	Presser Foot Body for 42116.....	1 00
42139	—	" " Plate for 42141, obsolete..	1 75
42140	—	" " Shank for 42141, obsolete.	1 00
42141	5547	Presser Foot (hinged) complete, for sew- ing pockets in pants, for 81-2 Machine, Nos. 233D, 2532, 42117, 42139 and 42140, obsolete.....	3 50
42142	5564	Lifting Lever Connecting Rod for 42144 and 42249.....	05
42143	5564	Rock Shaft complete for 42144, 42249 and 42284, Nos. 2763, 2768, 6337, 7125 and two each 2770 and 12242..	1 25
42144	—	Knee Lifter complete for 81-1 to 81-6, 81-11 and 81-13 Machines, Nos. 1301D, 42130 to 42132, 42142, 42143 and two each 1148F, 1229C and 1547D.....	2 75
Nos. 42145 to 42151 FOR 81-3, 81-4 AND 81-6 MACHINES.			
42145	5527	Cloth Plate for 42146.....	3 00
42146	—	Cloth Plate complete, Nos. 42003, 42005, 42108, 42145, two 236D and five 229D	6 50
42147	5557	Feed (back) Bar.....	1 75
42148	5557	" " Connecting Link.....	75
42149	5533	" " Dog.....	75
42150	5557	" " Regulator.....	2 00
42151	5557	" (front) Bar with 1253C.....	2 75
42152	5533	" " Dog for 81-3 and 81-4 Machines.....	85
42153	5527	Feed (front) Eccentric Cover for 81-3, 81-4 and 81-6 Machines.....	40
42154	5557	Feed (front) Rock Shaft for 42155.....	1 50
42155	—	Feed (front) Rock Shaft complete for 81-3, 81-4 and 81-6 Machines, Nos. 42021 and 42154.....	1 85
42156	5545	Knife (stationary) Holder for 81-2 to 81-6 Machines.....	3 50
42157	—	Presser Foot Body for 42161.....	3 50
42158	5547	" " Chaining-off Finger (narrow bight) for 42161 and 42265.....	40

NO.	PLATE	NAME	EACH
42159	—	Presser Foot Plate for 42161, 42181 and 42185.....	\$2 00
42159	—	Presser Foot Plate (back) for 42265.....	2 00
42160	5547	" " Spring Adjusting Pin for 42161, 42181, 42185 and 42198.....	05
42160	5547	Presser Foot Plate (back) Spring Adjusting Pin for 42265.....	05
42161	5547	Presser Foot (spring hinged) complete for 42149 and 42152 for 81-3 Machine, Nos. 233D, 464C, 9320, 14058 and 42157 to 42160.....	5 35
42162	5555	Thread (needle) Take-up for 81-3, 81-4 and 81-6 Machines.....	75
42163	5533	Throat Plate for 42149, 42152 and 42262, for general knit goods, for 81-3 Machine.....	1 65
42164	5533	Throat Plate for 42149 and 42152, for 81-3 and 81-4 Machines, narrow bight on balbriggan and closely woven goods.....	1 65
42165	5532	Feed Dog, for sewing very heavy pockets in pants, for 81-2 Machine.....	85
42166	5553	Looper (right hand) for 81-1 to 81-4, 81-6, 81-11, 81-13 and 81-14 Machines.....	2 25
42167	—	Presser Foot Plate for 42170.....	1 75
42168	5546	" " Chaining-off Finger for 42170 and 42226.....	40
42169	—	Presser Foot Shank for 42170 and 42271.....	1 00
42170	5546	Presser Foot (hinged) complete for 42165, Nos. 197F, 233D, 2532, 42120 and 42167 to 42169.....	4 00
42171	5532	Throat Plate for 42165.....	1 35
42172	5546	Presser Foot Chaining-off Finger, for 1/16 in. bight, for 42116, 42136 and 42141.....	40
*42173	—	Frame for 81-4 Machine.....	—
42174	5561	Knife (stationary) Holder Regulating Lever for 81-4 Machine, obsolete.....	75
42175	5561	Knife (stationary) Holder Regulating Lever Indicator for 81-4 Machine, obsolete.....	25
42176	5559	Knife (stationary) Holder Regulating Lever Friction Washer for 81-4 Machine.....	01
42177	5559	Knife (stationary) Holder Regulating Lever Slide Block for 81-4 Machine.....	20
		Nos. 42178 TO 42180 FOR 42181.	
42178	—	Presser Foot Body.....	3 50

NO.	PLATE	NAME	EACH
42179	5547	Presser Foot Chaining-off Finger.....	\$ 40
42180	5547	" " " " Regulating Lever.....	10
42181	5547	Presser Foot (spring hinged) complete for 42149 and 42152 for 81-4 Machine, Nos. 104C, 464C, 9320, 14058, 42159, 42160 and 42178 to 42180.....	6 00
42182	5536	Feed (front) Dog for 81-6 Machine.....	75
42183	—	Presser Foot Body for 42185.....	3 50
42184	5536	" " Chaining-off Finger for 42185.....	75
42185	5536	Presser Foot (spring hinged) complete for 81-6 Machine, Nos. 233D, 464C, 9320, 14058, 42159, 42160, 42183 and 42184.....	6 50
42186	5536	Throat Plate for 42149 and 42182 for 81-6 Machine.....	3 00
		Nos. 42187 TO 42189 FOR 81-6 MACHINE	
42187	5536	Welt Guide (solid).....	75
42188	5536	" " (hinged).....	3 50
42189	5536	" " Holder.....	3 00
42190	5547	Presser Foot Chaining-off Finger (wide bight) for 42161.....	40
42191	5535	Feed Dog for 81-12 Machine and obsolete for 81-11 Machine.....	75
42192	5560	Frame Side Cover (right) Lock Spring for 81-10 to 81-14 Machines.....	25
42193	5527	Frame Side Cover (left) with 19045, for 81-10 to 81-14 Machines.....	25
42194	5560	Guide for 81-11 Machine.....	1 25
42195	5561	Needle Guard Holder for 81-10 to 81-14 Machines.....	3 00
42196	—	Presser Foot Body for 42198.....	3 50
42197	—	" " Plate for 42198.....	2 00
42198	5547	Presser Foot (spring hinged) complete for 81-11 Machine, Nos. 464C, 9320, 14058, 42160, 42196 and 42197.....	4 65
42199	5535	Throat Plate for 42289.....	1 35
		Nos. 42200 TO 42204 FOR 81-4 MACHINE.	
42200	5559	Knife (stationary) Holder Regulating Lever.....	2 00
42201	5559	Knife (stationary) Holder Regulating Lever Latch.....	2 25
42202	5559	Knife (stationary) Holder Regulating Lever Latch Bracket.....	1 50

118 NUMERICAL LIST OF PARTS

NO.	PLATE	NAME	EACH
42203	5559	Knife (stationary) Holder Regulating Lever Latch Spring.....	\$ 03
42204	5559	Knife (stationary) Holder Regulating Lever Indicator.....	30
42205	5558	Feed Bar with 1253C, for 81-10 to 81-14 Machines.....	2 50
Nos. 42206 TO 42209 FOR 81-5 MACHINE.			
*42206	—	Arm, obsolete, use 42252.....	—
42207	5534	Feed Dog.....	1 00
42208	5559	" Lifting Eccentric with two 462c.....	1 50
*42209	—	Frame.....	—
42210	5525	" Rotary Shaft for 81-10 and 81-12 Machines and obsolete for 81-5 Machine.....	3 00
42211	5559	Frame Rotary Shaft Crank with 1036c and 1375c, for 81-5, 81-10 and 81-12 Machines.....	2 00
42212	5559	Frame Top Cover Extension for 81-5 Machine.....	35
42213	5560	Knife (movable) for 81-5 Machine and for heavy work for 81-2 Machine....	15
42214	5560	Knife (movable) Gib for 42215.....	50
42215	—	" " Holder 42035 with 133F, 42040, 42214, 42216 and two 404D for 42213 for 81-5 Machine and for heavy work for 81-2 Machine....	1 25
42216	5560	Knife (movable) Holder Cap for 42215.....	15
42217	5560	" " Lever Connection with 42218 and two 175E, for 81-5 Machine	1 00
*42218	—	Knife (movable) Lever Connection Cap for 42217.....	—
42219	5560	Looper (left hand) for 81-5, 81-10 and 81-12 Machines.....	2 00
42220	5560	Looper (right hand) for 81-5 Machine..	3 00
42221	5560	" " " and Spreader Lever Ball Stud for 81-5, 81-10 and 81-12 Machines.....	75
42222	5560	Needle Bar Connecting Bracket with 187D and 223F, for 81-5, 81-10, 81-12 and 81-14 Machines.....	1 00
Nos. 42223 TO 42225 FOR 42226.			
42223	—	Presser Foot Body.....	1 00
42224	5546	" " Extension.....	75
42225	—	" " Plate.....	1 75

NUMERICAL LIST OF PARTS 119

NO.	PLATE	NAME	EACH
42226	5546	Presser Foot (hinged) complete for 81-5 Machine, Nos. 197F, 233D, 26276, 42168 and 42223 to 42225.....	\$4 00
42227	5558	Presser Lever for 81-5 and 81-10 Machines.....	2 50
42228	5534	Throat Plate for 42207.....	1 65
42229	5528	Cloth Plate for 42230.....	3 00
42230	—	Cloth Plate complete for 81-10, 81-12 and 81-14 Machines, Nos. 42005, 42229, 42231, two 236D and three 229D.....	6 25
42231	5528	Cloth Plate Extension for 42230.....	3 00
Nos. 42232 TO 42234 FOR 81-10 MACHINE.			
42232	5534	Feed Dog.....	85
*42233	—	Frame.....	—
42234	5525	" Top Cover.....	2 50
Nos. 42235 TO 42237 FOR 42238.			
42235	5555	Guide Body.....	1 50
42236	5555	" Finger.....	75
42237	5555	" Smoothing Plate.....	30
42238	5555	Guide complete for 81-10 Machine, Nos. 203F, 7071, 42235 to 42237 and two 233D.....	2 65
42239	5561	Looper (right hand) for 81-10 and 81-12 Machines.....	2 25
42240	5546	Presser Foot with 233D and 42241, for 81-10 Machine.....	1 50
42241	5546	Presser Foot Chaining-off Finger for 42240.....	40
Nos. 42242 TO 42244 FOR 81-10 AND 81-12 MACHINES.			
42242	5561	Thread (looper, left hand) Eyelet.....	40
42243	5561	" " " " P u l l - o f f	20
42244	5561	" " " " " "	40
42245	5561	Thread (looper, right hand) Take-up for 81-10 Machine.....	35
42246	5534	Throat Plate for 42232.....	1 35
42247	5565	Lifting Lever Bracket for 42248 and 42249.....	50
42248	—	Foot Lifter complete for 81-10 Machine, Nos. 1301D, 4885, 6439, 42130, 42132, 42247 and two each 1148F, 1229C and 1547D.....	2 60

## NUMERICAL LIST OF PARTS

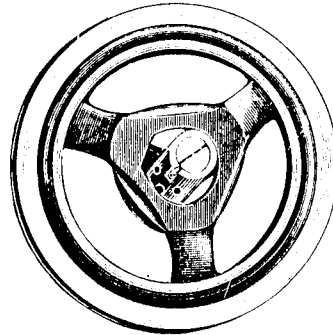
NO.	PLATE	NAME	EACH
42249	—	Knee Lifter complete for 81-10 Machine, Nos. 1301D, 42130, 42132, 42142, 42143, 42247 and two each 1148F, 1229c and 1547D.....	\$2 95
42250	5560	Spreader for 81-5, 81-10 and 81-12 Machines.....	3 00
*42251	—	Arm with two each 462C and 42253, for 81-1 to 81-4, 81-6, 81-11 and 81-13 Machines.....	12 00
*42252	—	Arm with two each 462C and 42253, for 81-5, 81-10, 81-12 and 81-14 Machines	12 00
42253	5544	Needle Bar Bushing for 42251 and 42252	25
*42254	—	Frame for 81-12 and 81-14 Machines...	—
42255	5572	" Top Cover for 81-12 and 81-14 Machines.....	2 50
42256	5573	Guide for 81-12 Machine.....	1 00
42257	5547	Presser Foot with 233D and 42258, for 81-12 Machine.....	1 50
42258	5547	Presser Foot Chaining-off Finger for 42257.....	40
42259	5573	Presser Lever for 81-12 and 81-14 Machines.....	2 50
42260	5535	Throat Plate for 42191.....	1 35
42261	5573	" " Extension for 81-12 and 81-14 Machines.....	75
42262	5533	Feed (front) Dog for 81-3 Machine.....	75
42263	—	Presser Foot Plate (front) for 42265.....	1 75
42264	—	" " Shank for 42265.....	2 50
42265	5547	Presser Foot (spring hinged) complete for 42149 and 42262 for 81-3 Machine, Nos. 233D, 464C, 2532, 9320, 14058, 42158 to 42160, 42263 and 42264.....	7 50
42266	5572	Frame Rotary Shaft for 81-5 Machine...	3 00
42267	5537	Feed Dog for 81-13 Machine.....	1 25
Nos. 42268 to 42270 for 42271.			
42268	5549	Presser Foot Chaining-off Finger.....	40
42269	5549	" " Extension.....	75
42270	—	" " Plate.....	1 75
42271	5549	Presser Foot (hinged) complete for 81-13 Machine, Nos. 197F, 233D, 2532, 42169 and 42268 to 42270.....	4 00
42272	5537	Throat Plate for 42267.....	1 50
42273	5537	Feed Dog for 81-14 Machine.....	75
42274	5573	Guide for 81-14 Machine.....	1 00
42275	5574	Roller Arm for 42279 and 42287.....	1 25
42276	5575	" " Bracket for 42279, obsolete	1 25

## NUMERICAL LIST OF PARTS

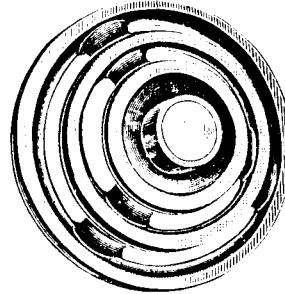
NO.	PLATE	NAME	EACH
42277	5574	Roller Arm Lock Spring for 42279 and 42287.....	\$ 50
42278	5575	Roller Presser Finger for 42279, obsolete	1 25
42279	5575	Roller Presser complete, 1 1/2 in. roller, for 81-14 Machine, Nos. 227D, 447F, 646D, 1547D, 1991 and 42275 to 42278, obsolete.....	5 00
42280	5537	Throat Plate for 42273.....	1 35
42281	5565	Lifting Lever for 42283 and 42284.....	75
42282	5565	" " Bracket for 42283 and 42284.....	50
42283	—	Foot Lifter complete for 81-14 Machine, Nos. 440F, 1288D, 1301D, 1547D, 4885, 6439, 25033, 42281 and 42282.....	2 50
42284	—	Knee Lifter complete for 81-14 Machine, Nos. 440F, 1288D, 1301D, 1547D, 17886, 25033, 42143, 42281 and 42282.....	2 85
42285	5574	Roller Arm Bracket for 42287.....	1 25
42286	5574	" Presser Finger for 42287.....	1 25
42287	5574	Roller Presser complete, 1 1/2 in. roller, for 81-14 Machine, Nos. 227D, 447F, 646D, 1547D, 1991, 42275, 42277, 42285 and 42286.....	5 00
42288	5547	Presser Foot Chaining-off Finger, for 1/4 in. bight, for 42161.....	40
42289	5535	Feed Dog for 81-11 Machine.....	75

PLATE 362—ONE-FOURTH SIZE

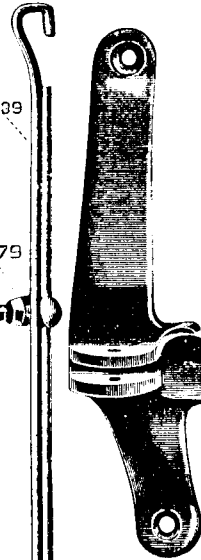
27630



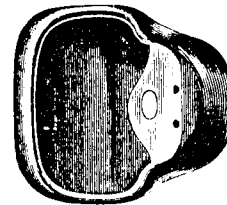
27509



27640



27635



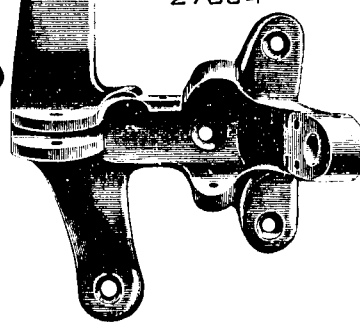
27639



9079



27634



27508



27637



41338

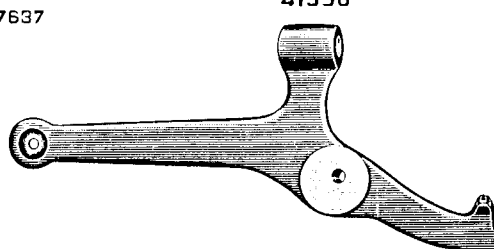


PLATE 363—ONE-FOURTH SIZE

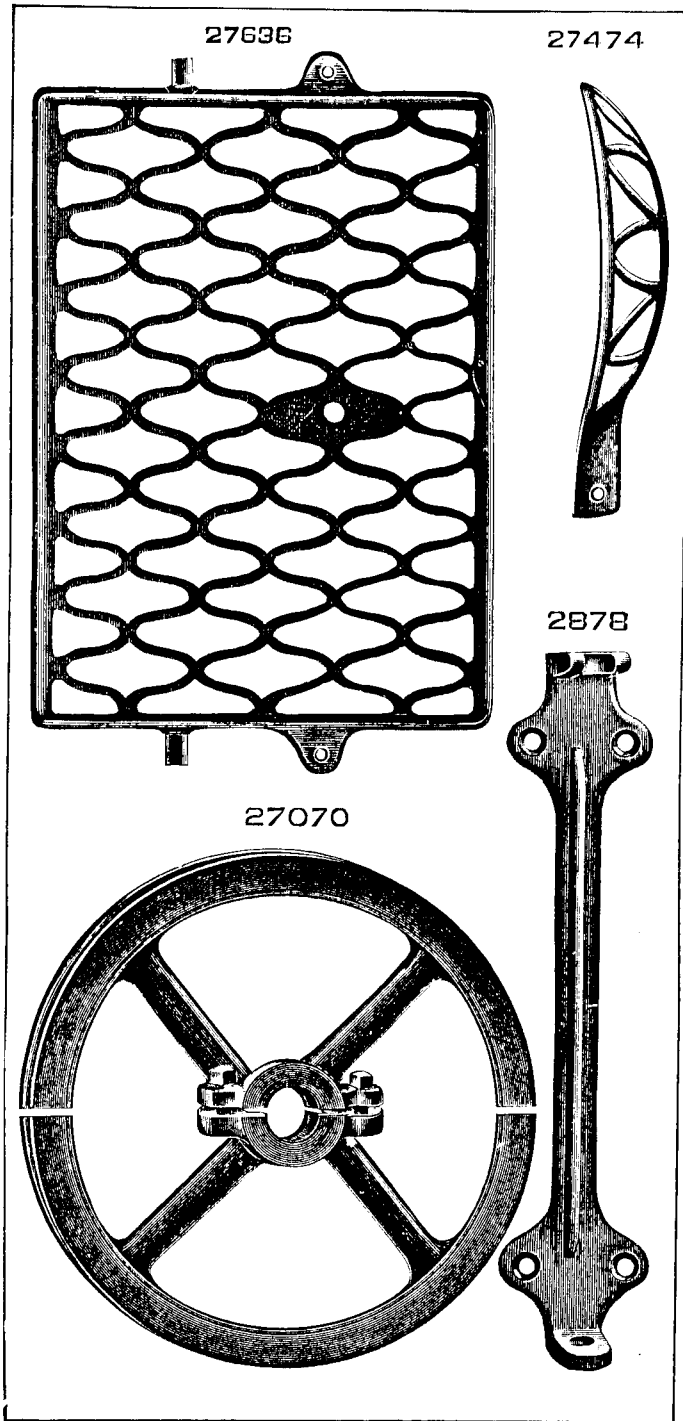


PLATE 1101—FULL SIZE

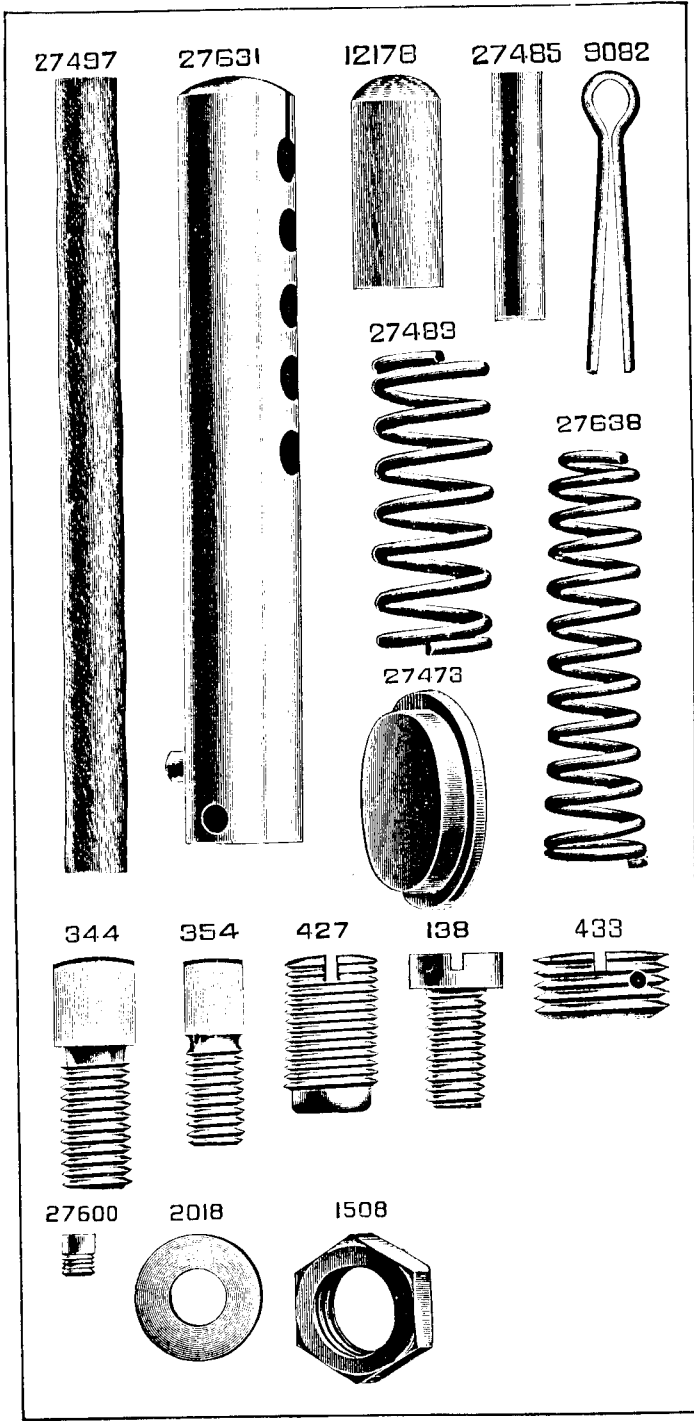


PLATE 2640—ONE-FOURTH SIZE

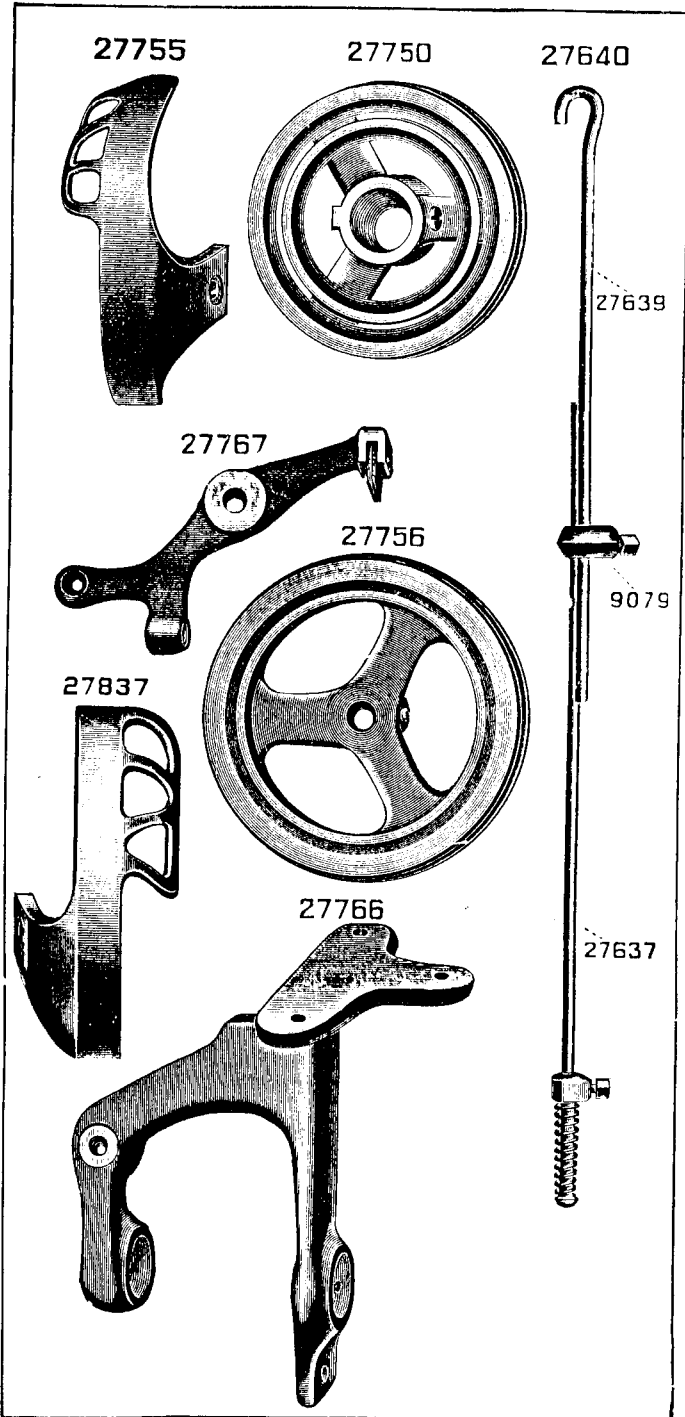


PLATE 2641—FULL SIZE

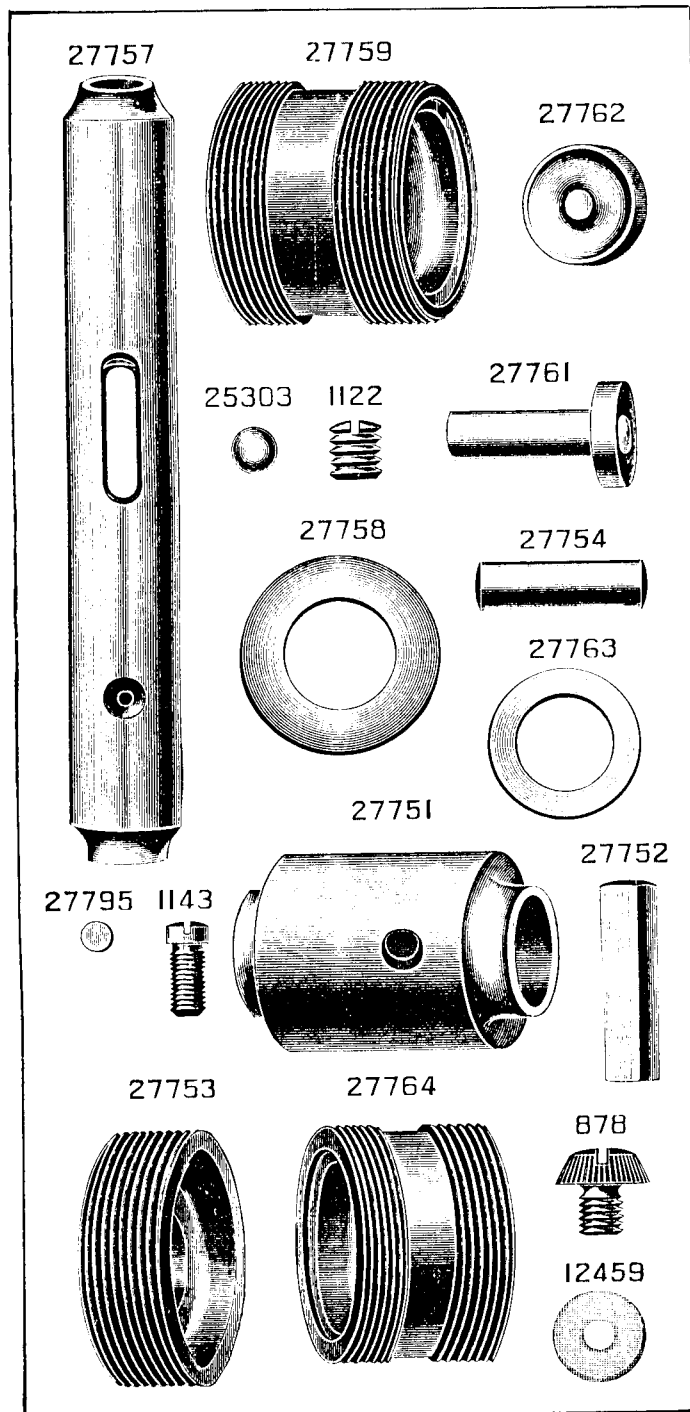


PLATE 2642—FULL SIZE

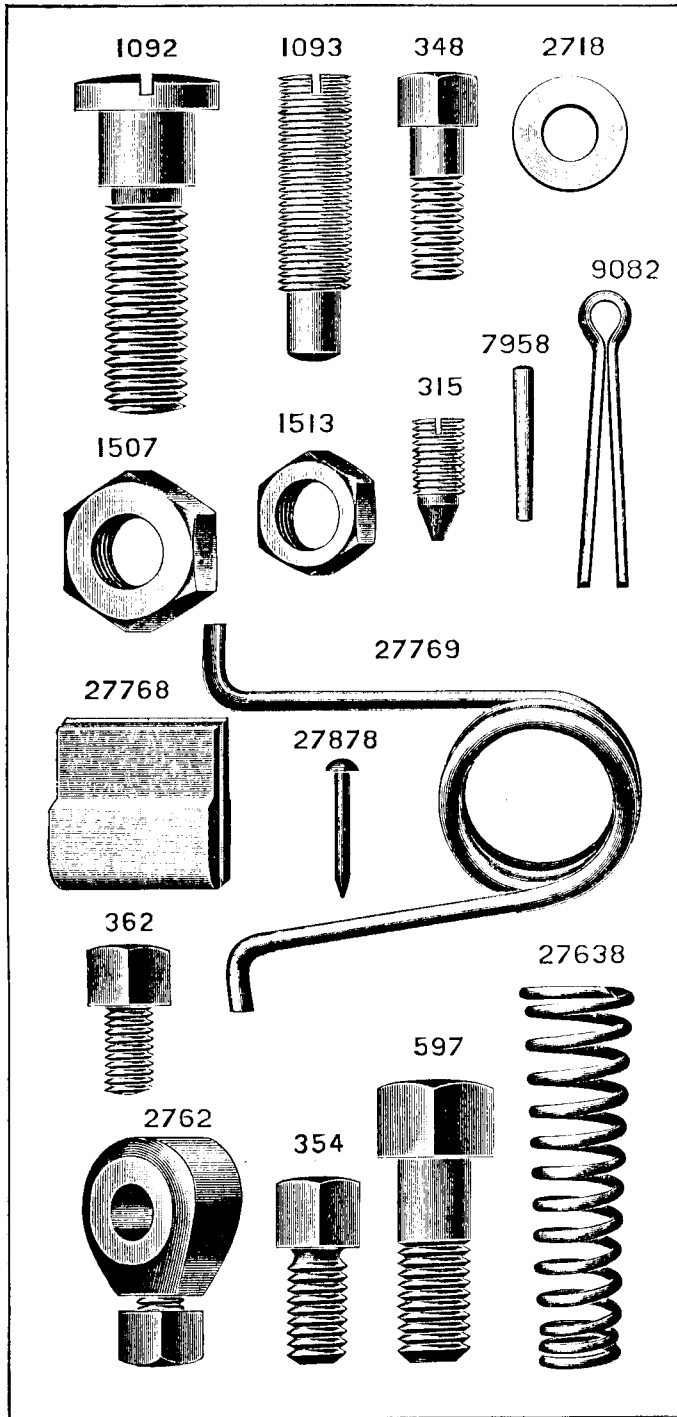


PLATE 5525—ONE-HALF SIZE

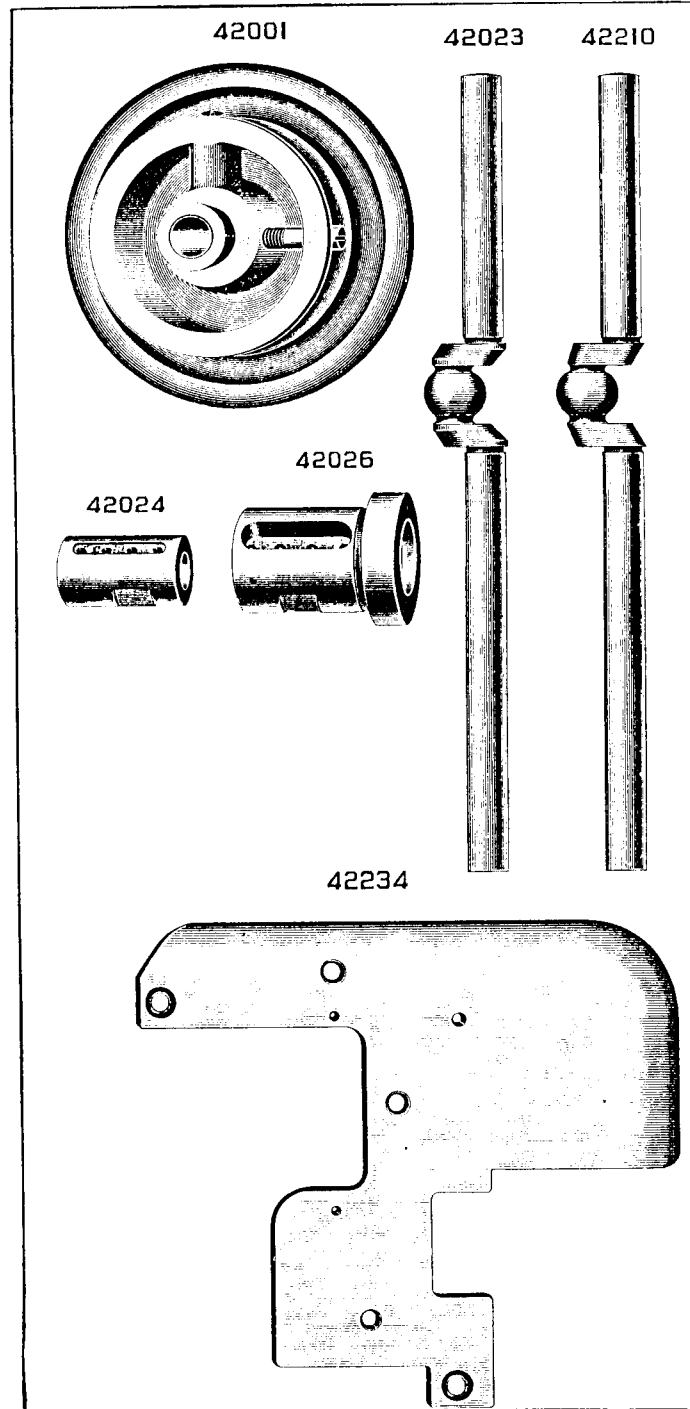




PLATE 5526—ONE-HALF SIZE

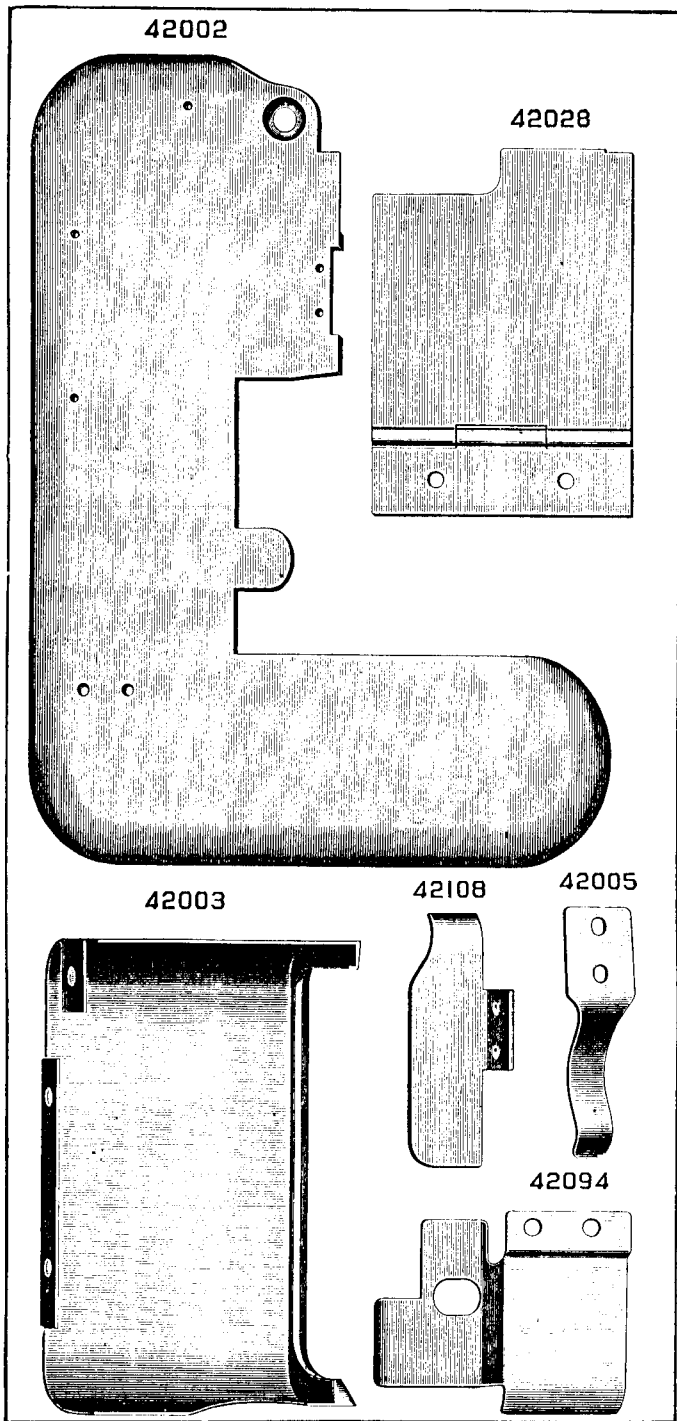


PLATE 5527—ONE-HALF SIZE

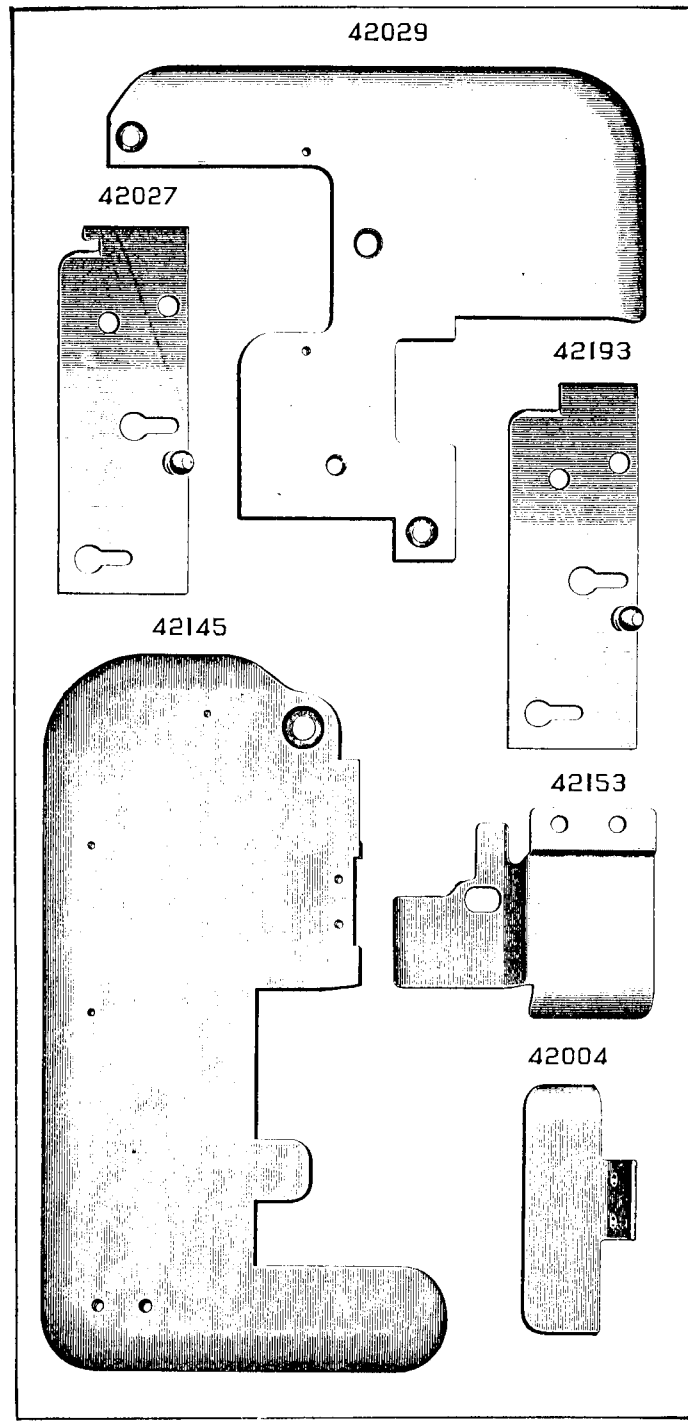
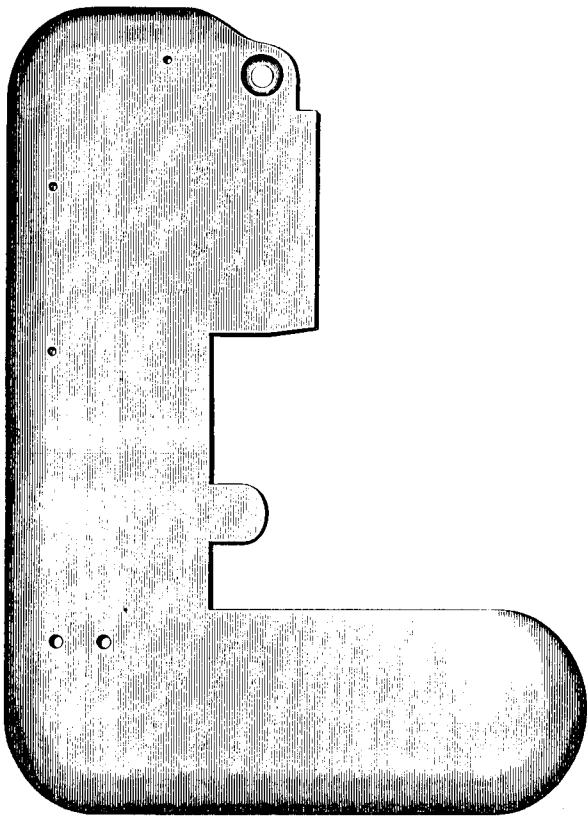


PLATE 5528—ONE-HALF SIZE

42229



42231

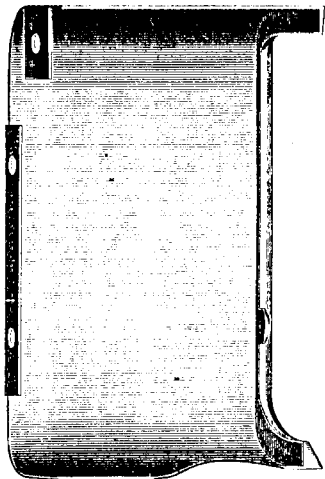
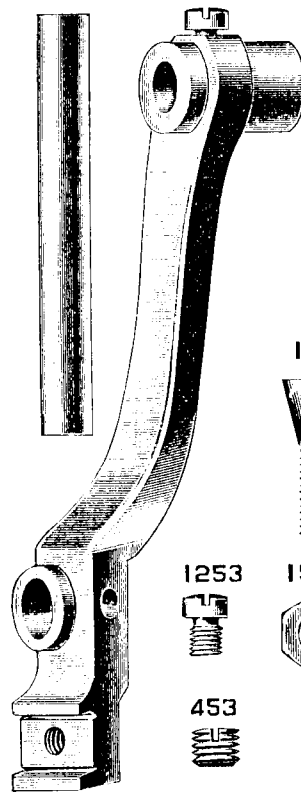


PLATE 5529—FULL SIZE

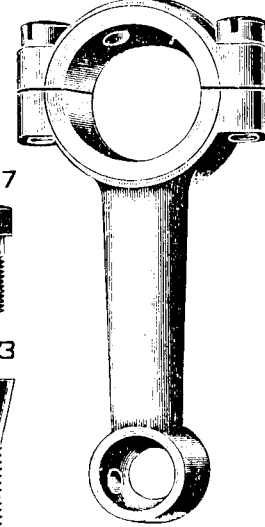
42007



42006



42008



1057



1373



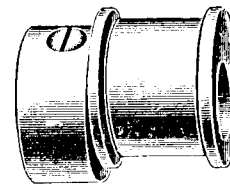
1253



1520



42011



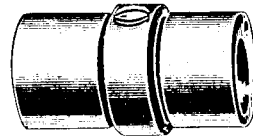
453



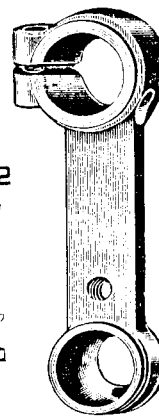
462



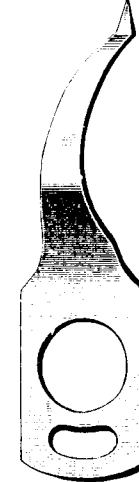
42012



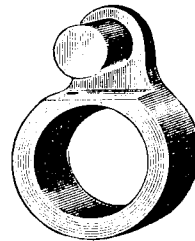
42015



42017



42013



1012



207

PLATE 5530—FULL SIZE

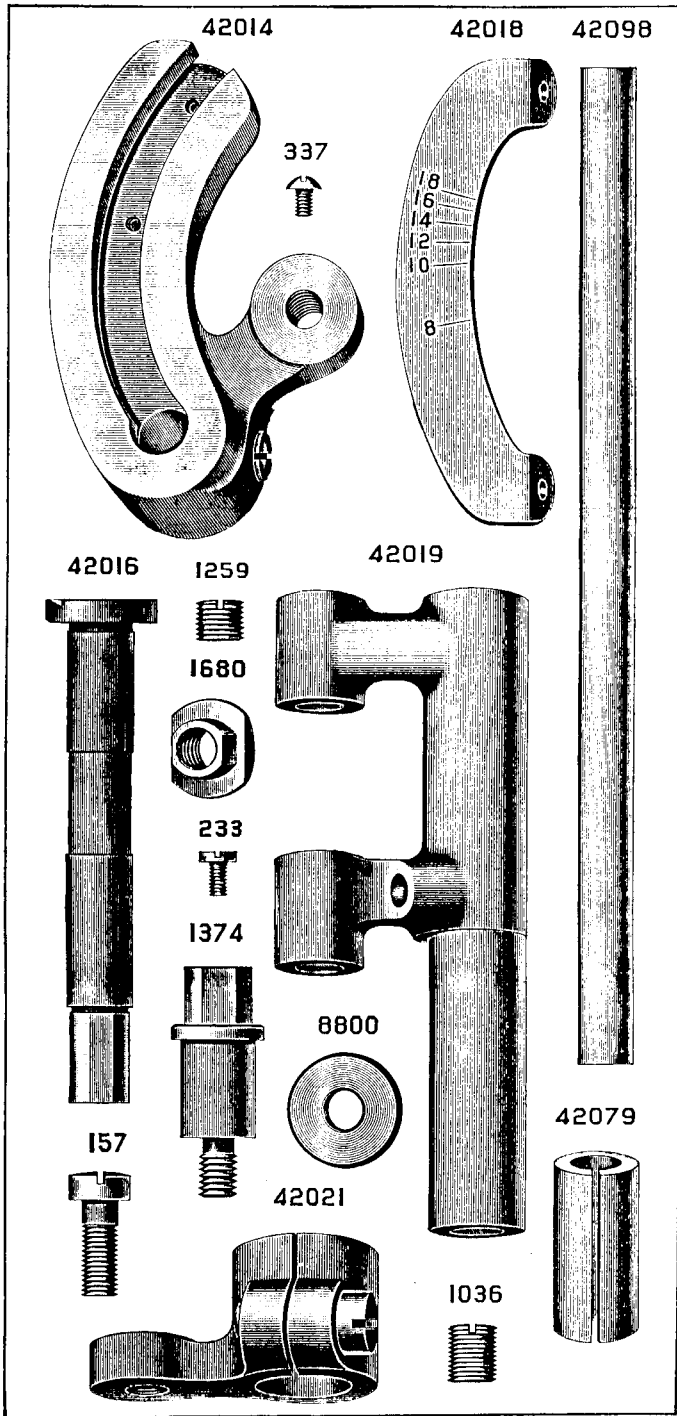


PLATE 5531—FULL SIZE

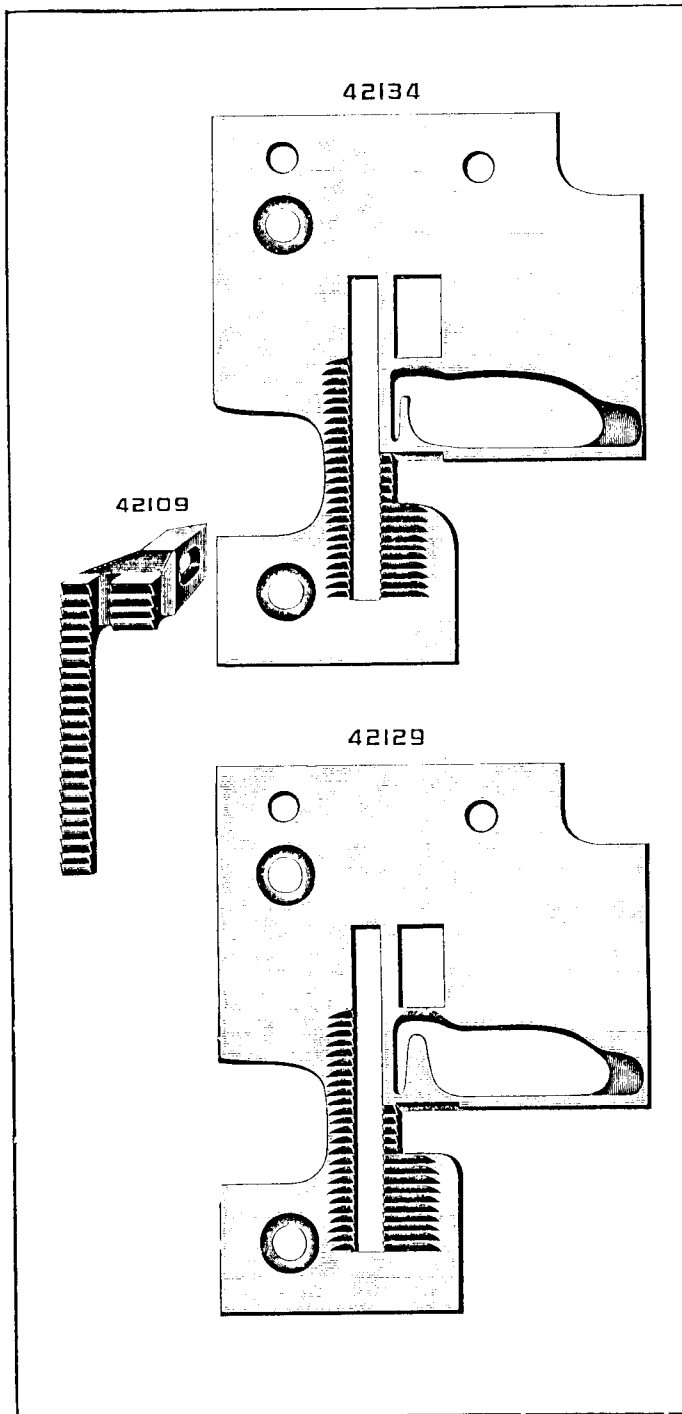
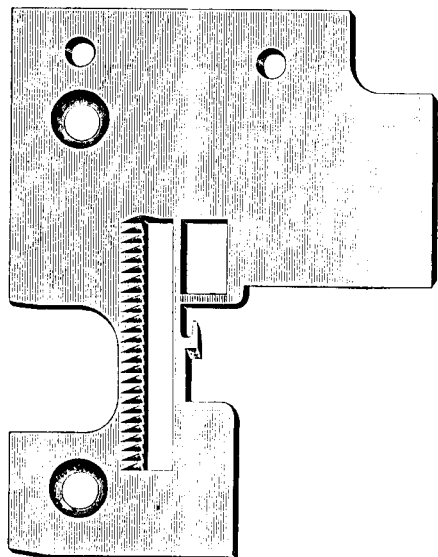
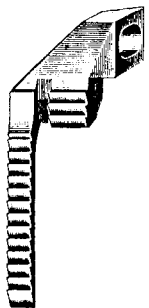


PLATE 5532—FULL SIZE

42085

42010



42171

42165

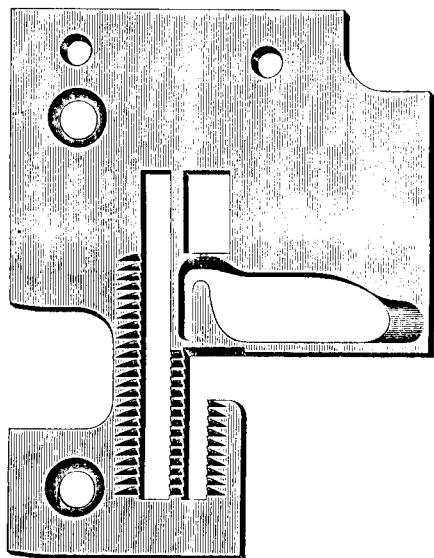
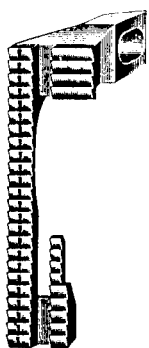
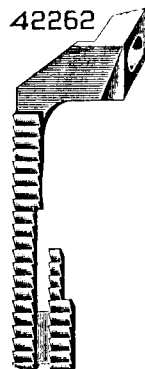


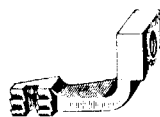
PLATE 5533—FULL SIZE

42262

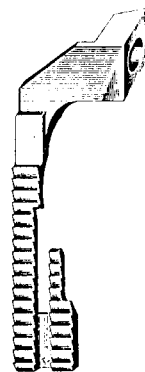
42163



42149



42152



42164

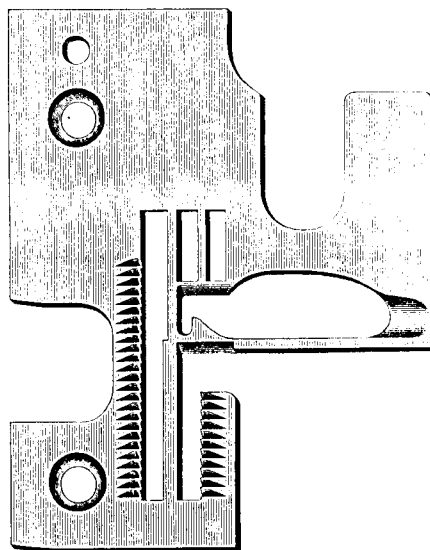
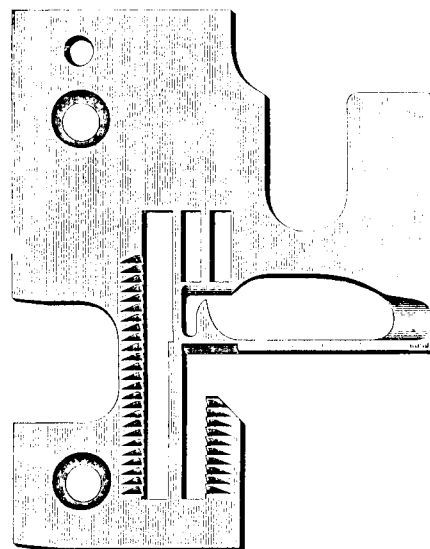
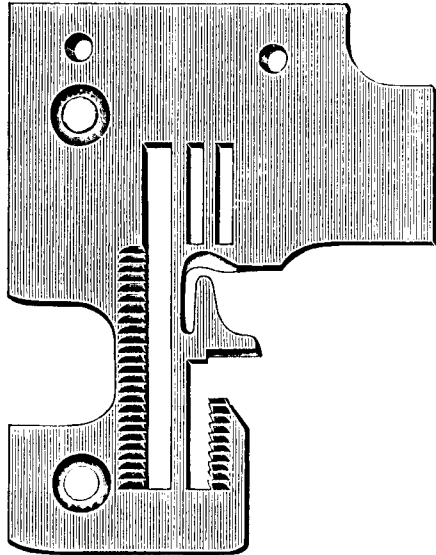
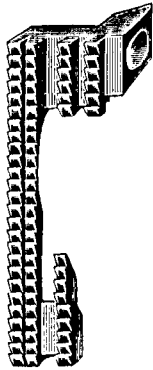


PLATE 5534—FULL SIZE

42228

42207



42246

42232

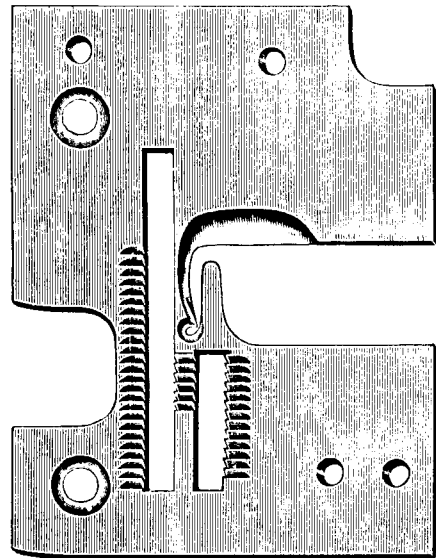
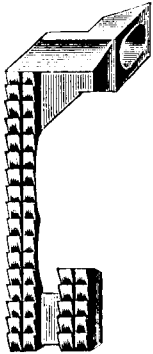
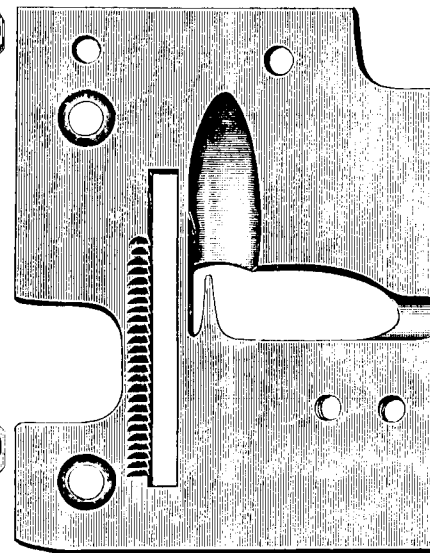
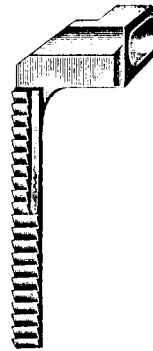


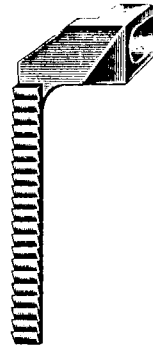
PLATE 5535—FULL SIZE

42289

42199



42191



42260

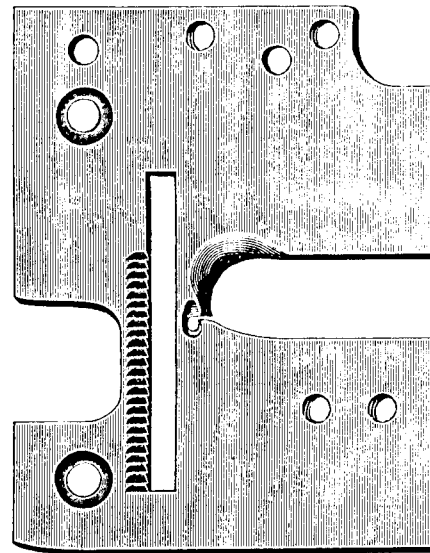


PLATE 5536—FULL SIZE

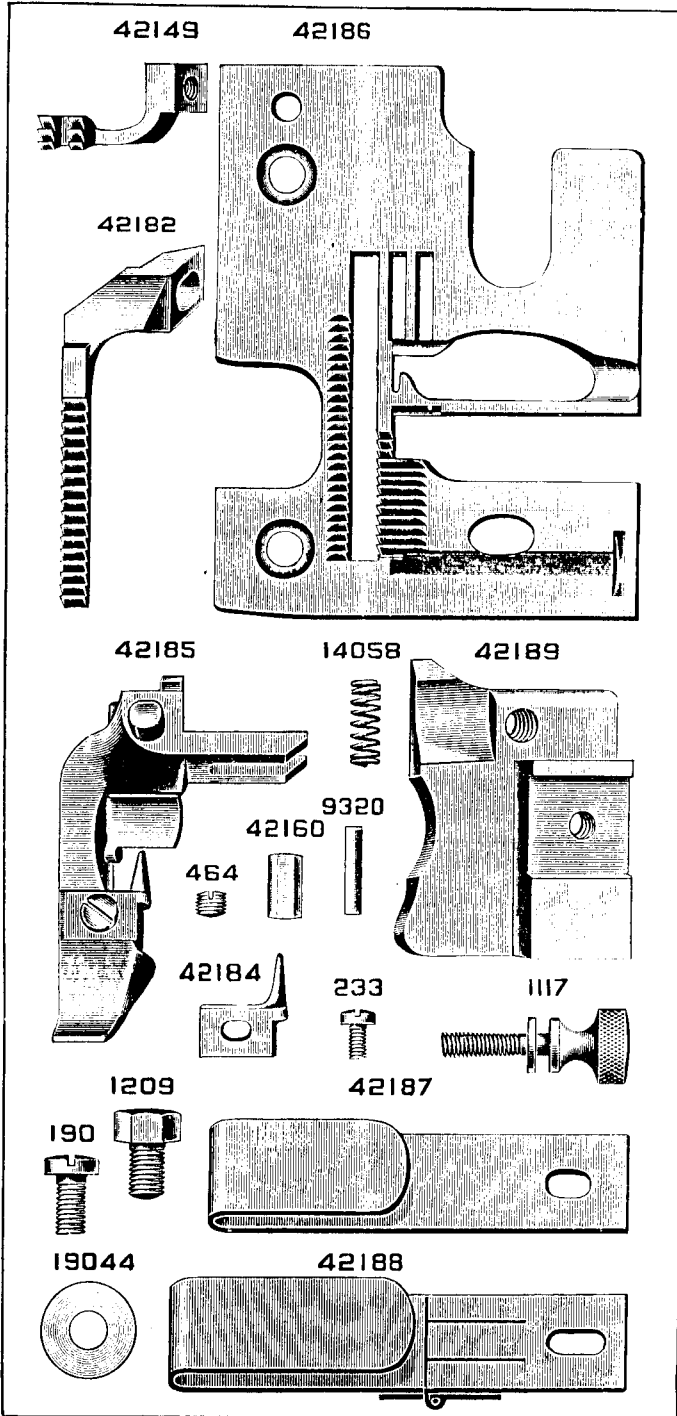


PLATE 5537—FULL SIZE

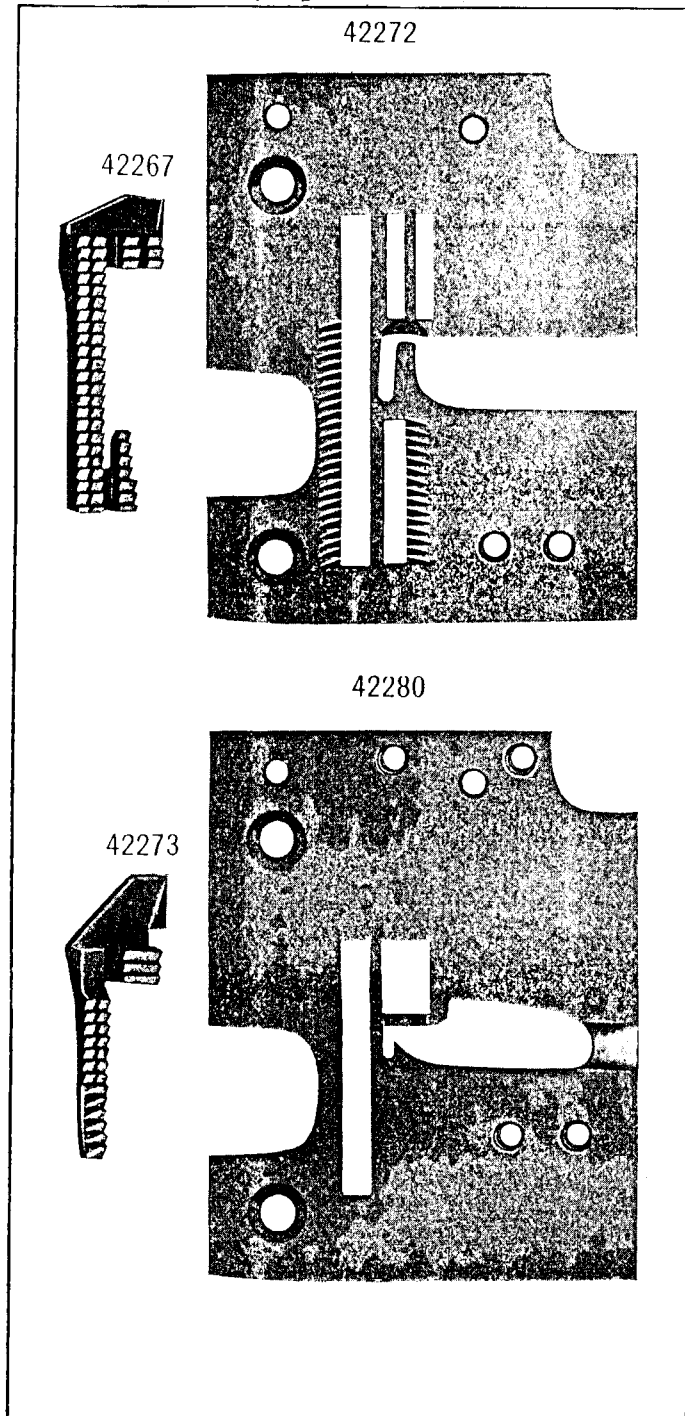


PLATE 5542—FULL SIZE

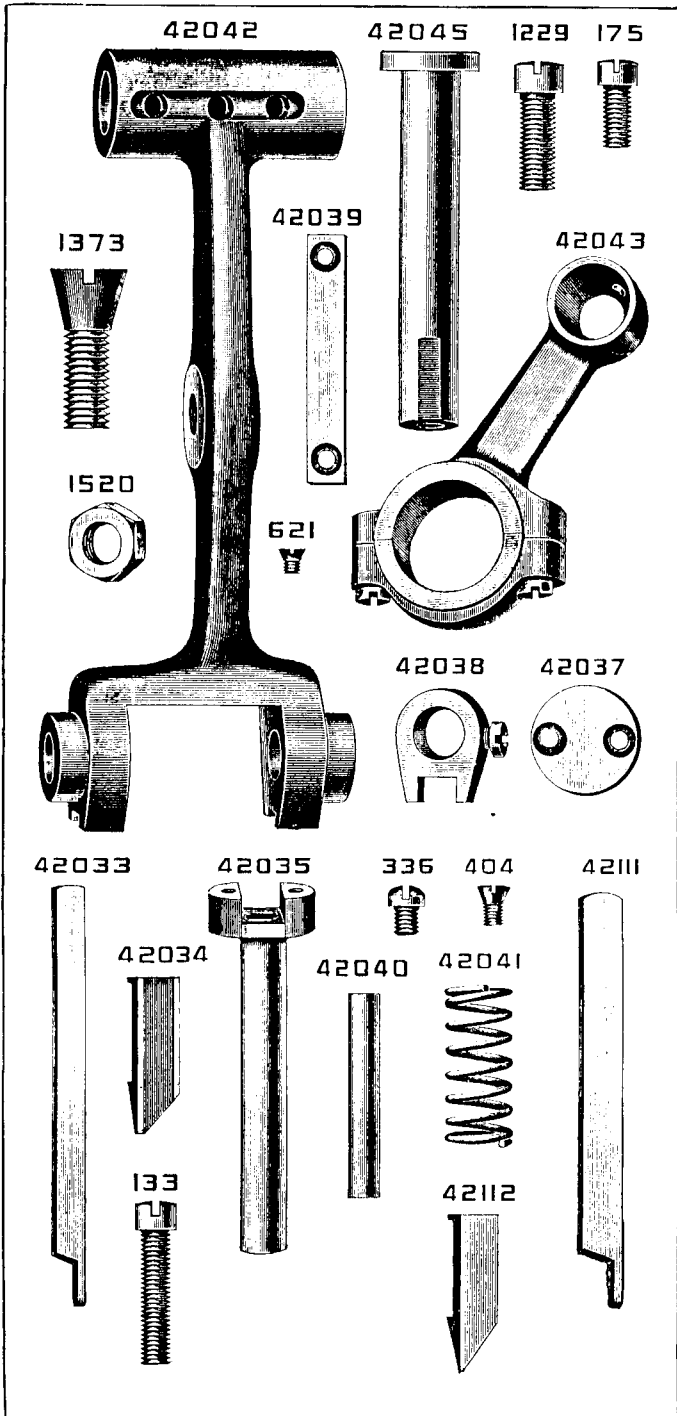


PLATE 5543—FULL SIZE

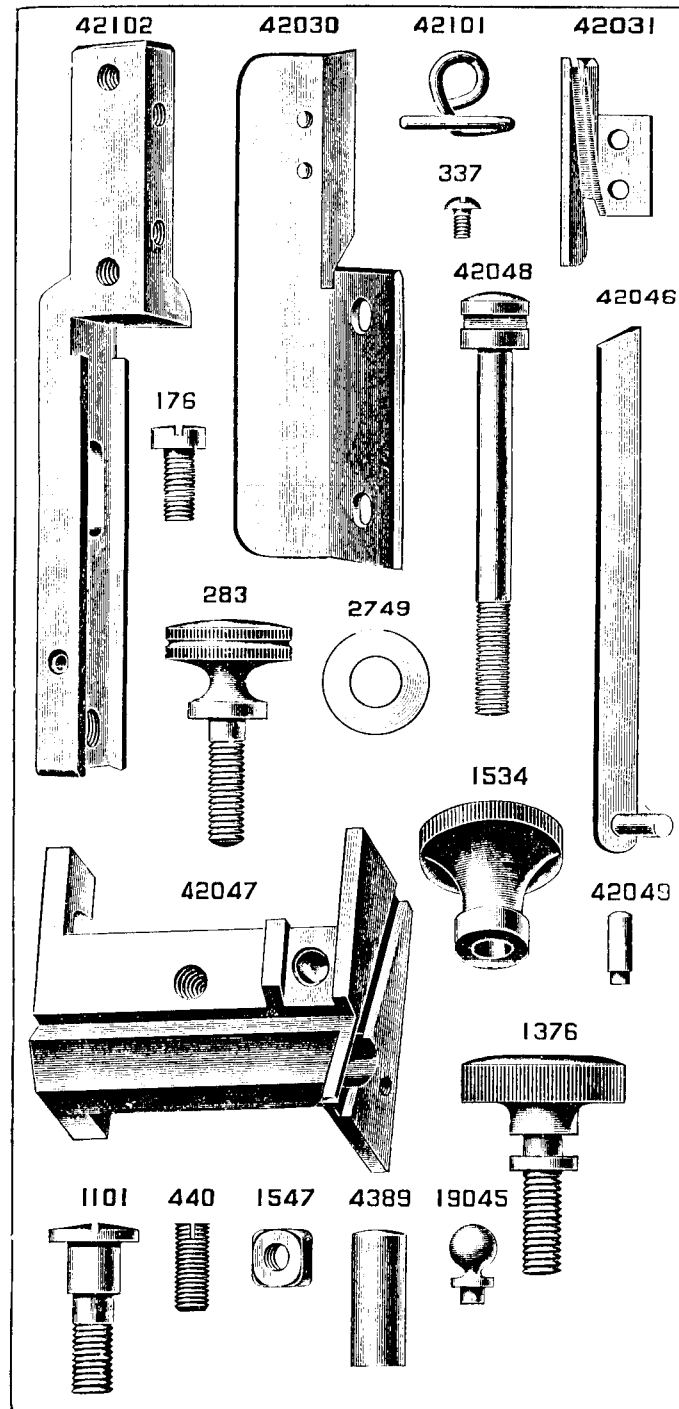


PLATE 5544—FULL SIZE

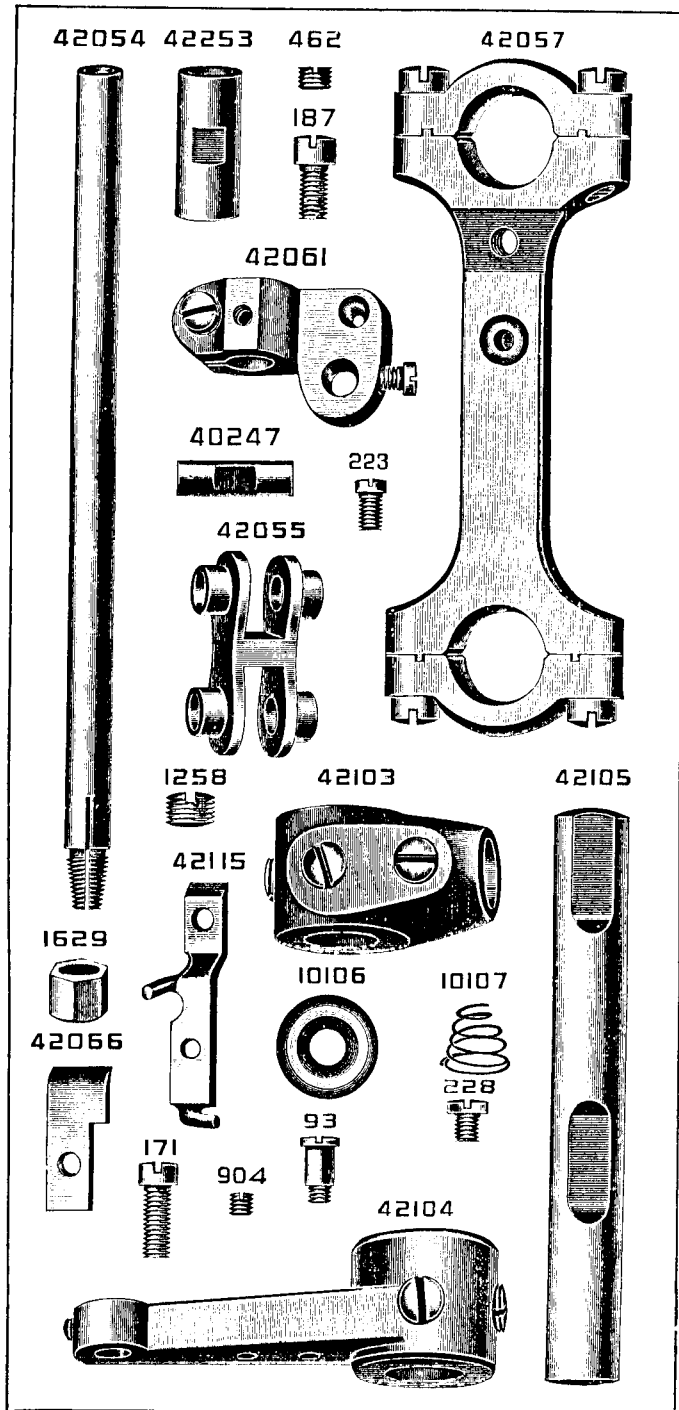


PLATE 5545—FULL SIZE

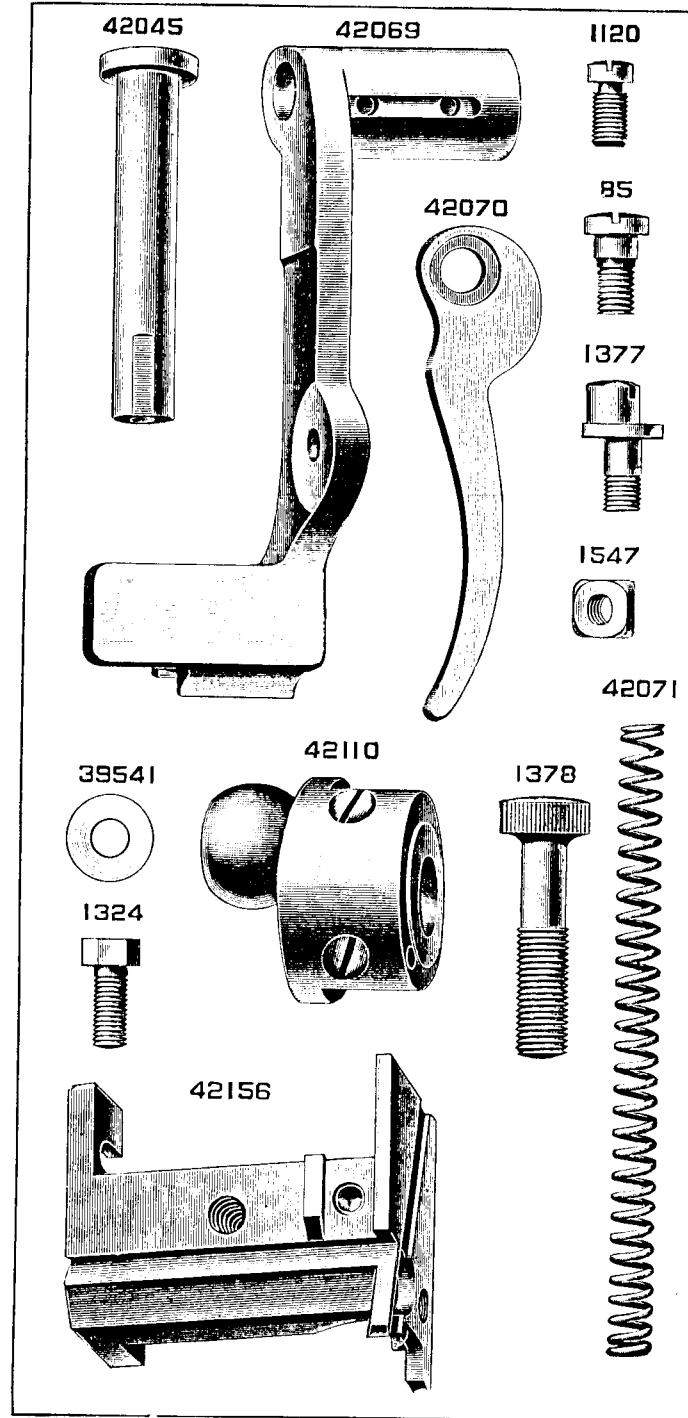




PLATE 5546—FULL SIZE

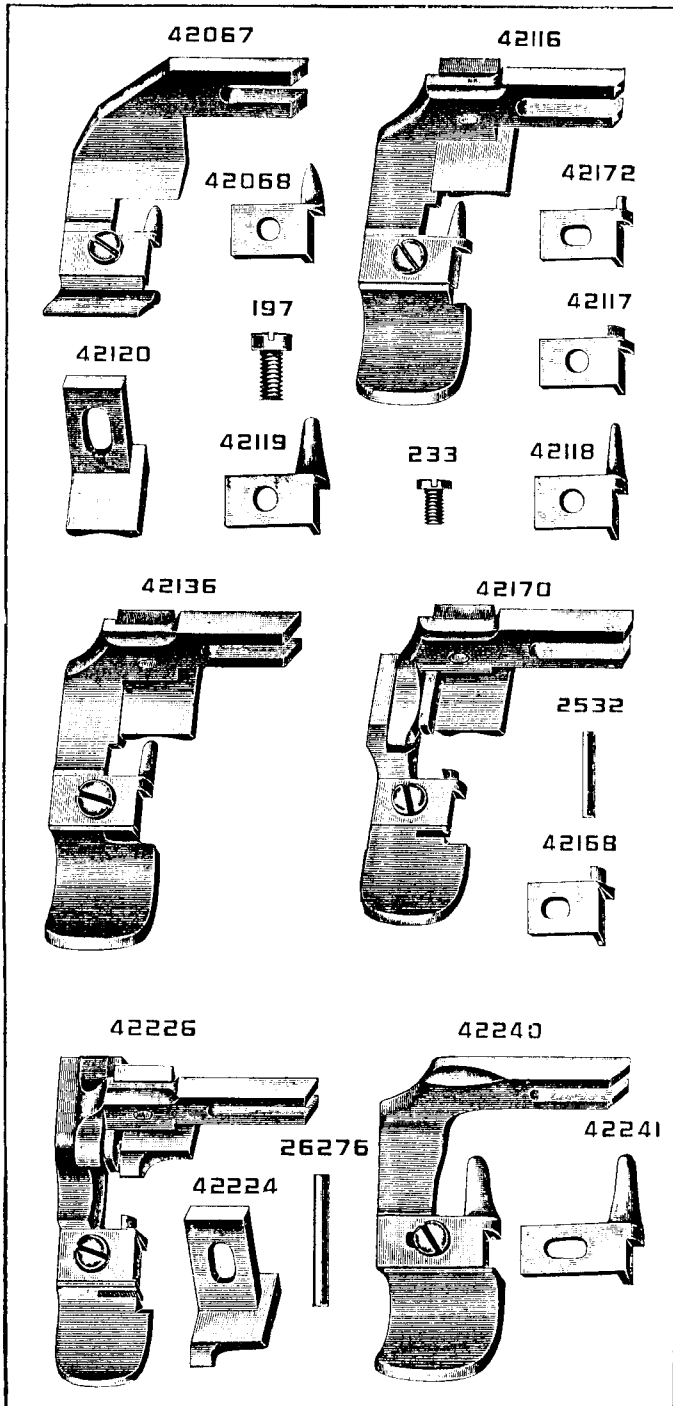


PLATE 5547—FULL SIZE

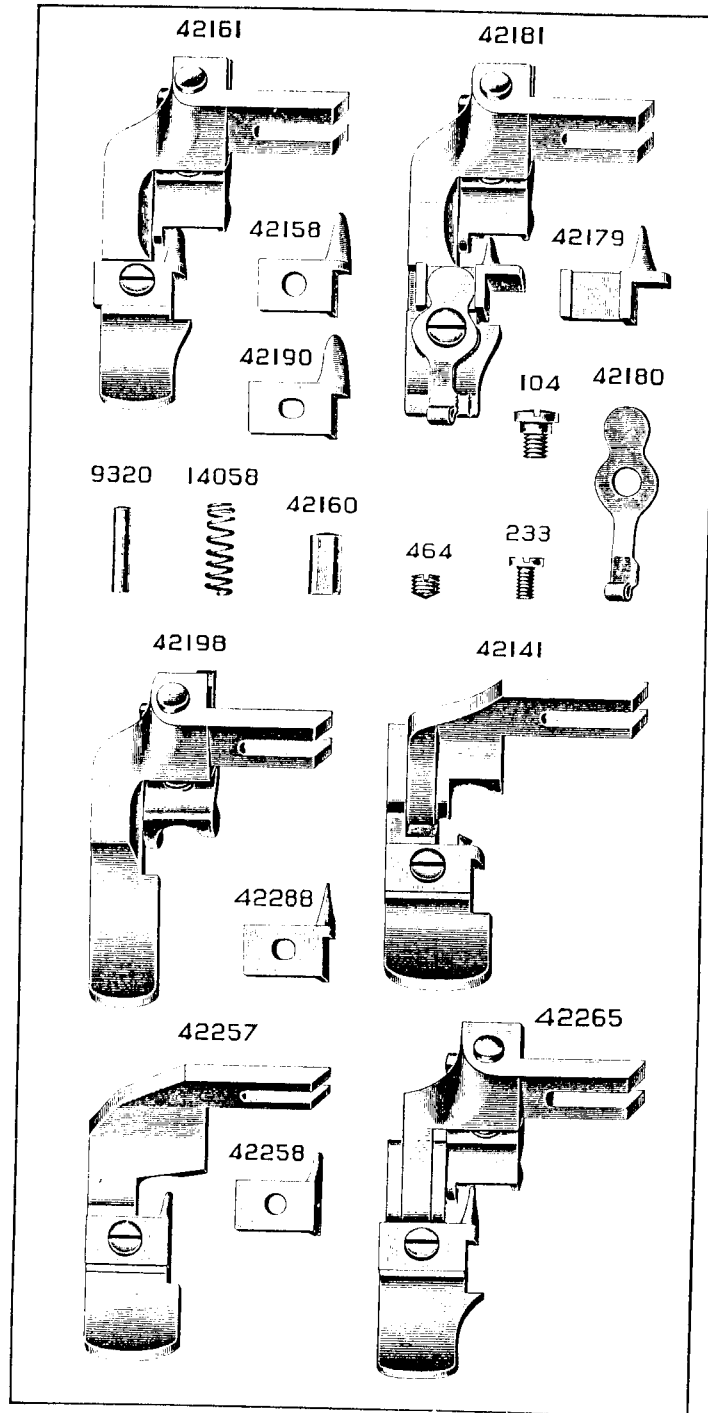


PLATE 5548—FULL SIZE

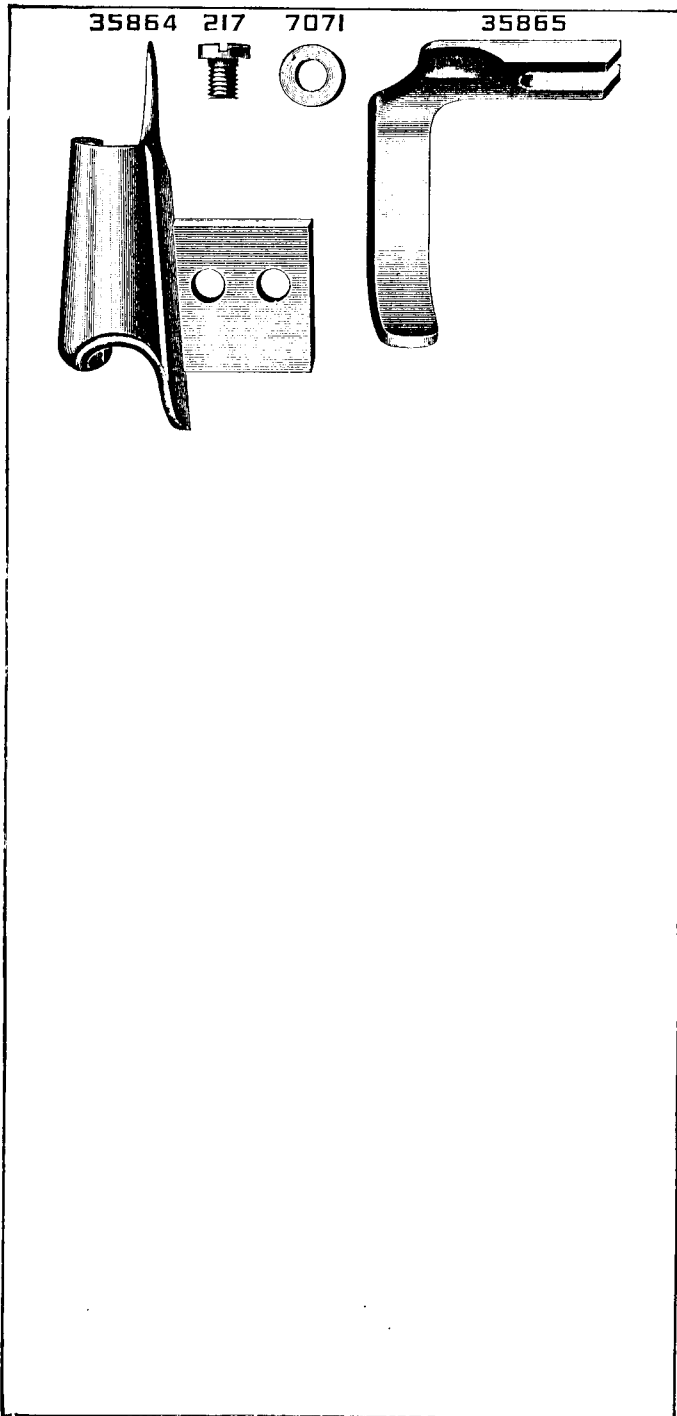


PLATE 5549—FULL SIZE

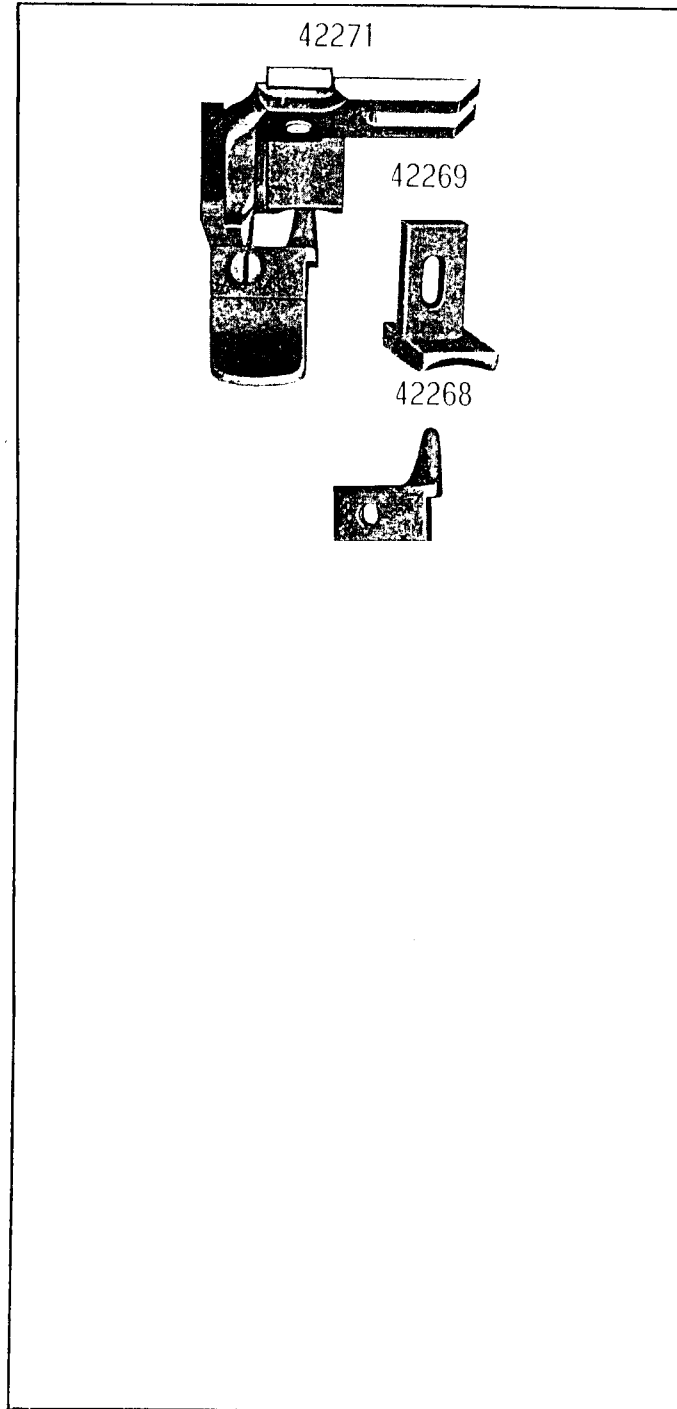


PLATE 5553—FULL SIZE

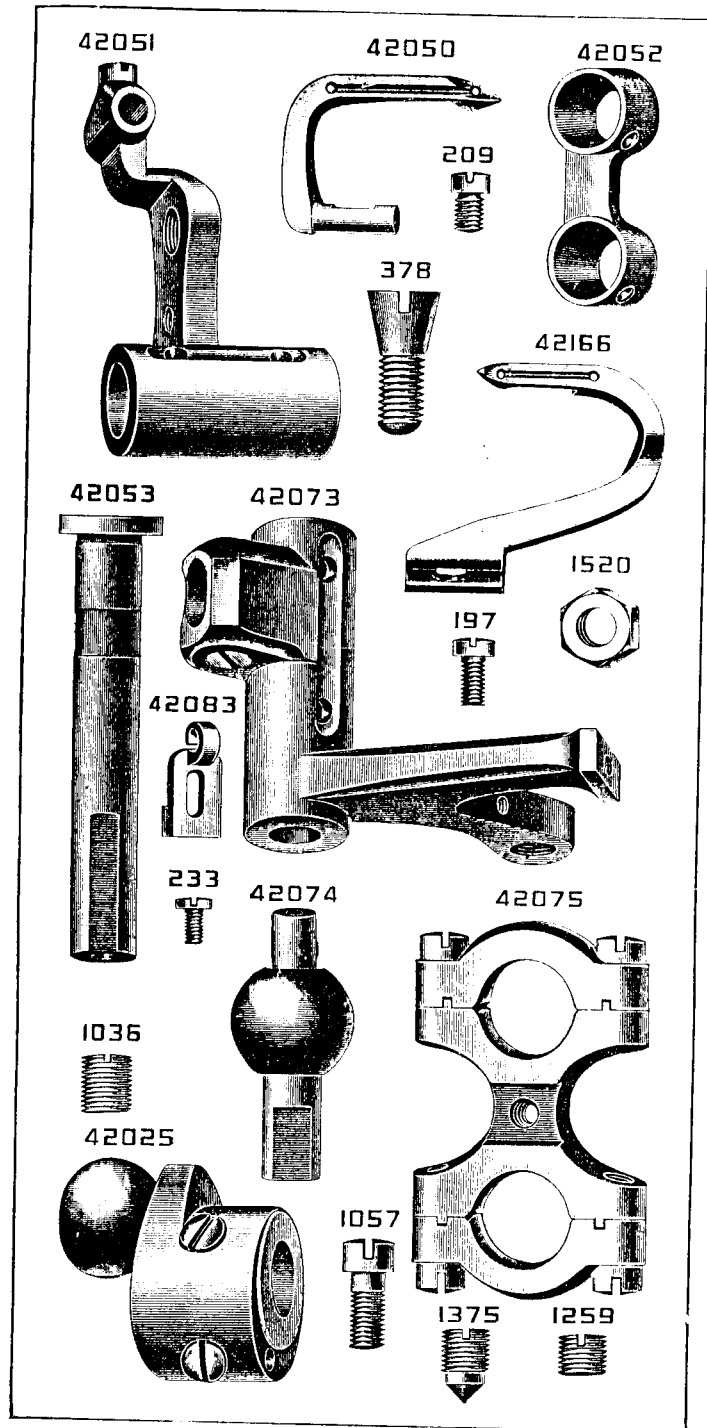


PLATE 5554—FULL SIZE

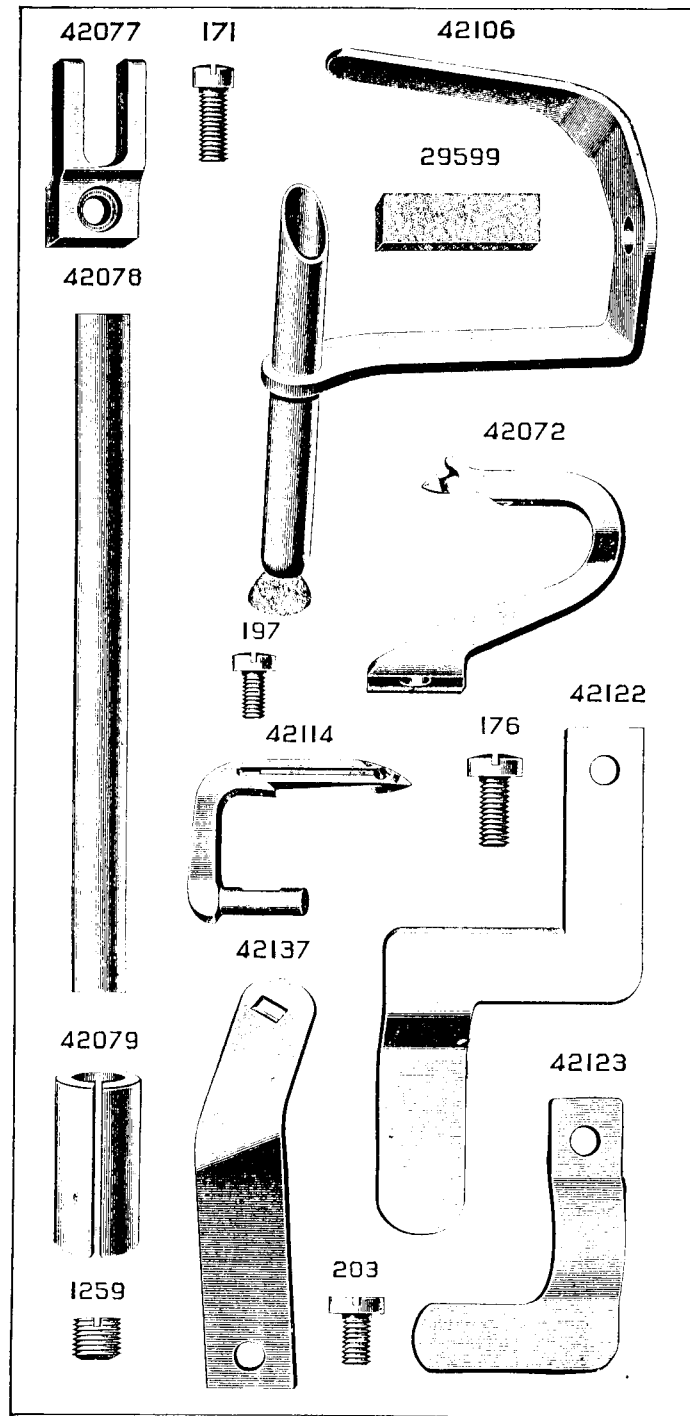


PLATE 5555—FULL SIZE

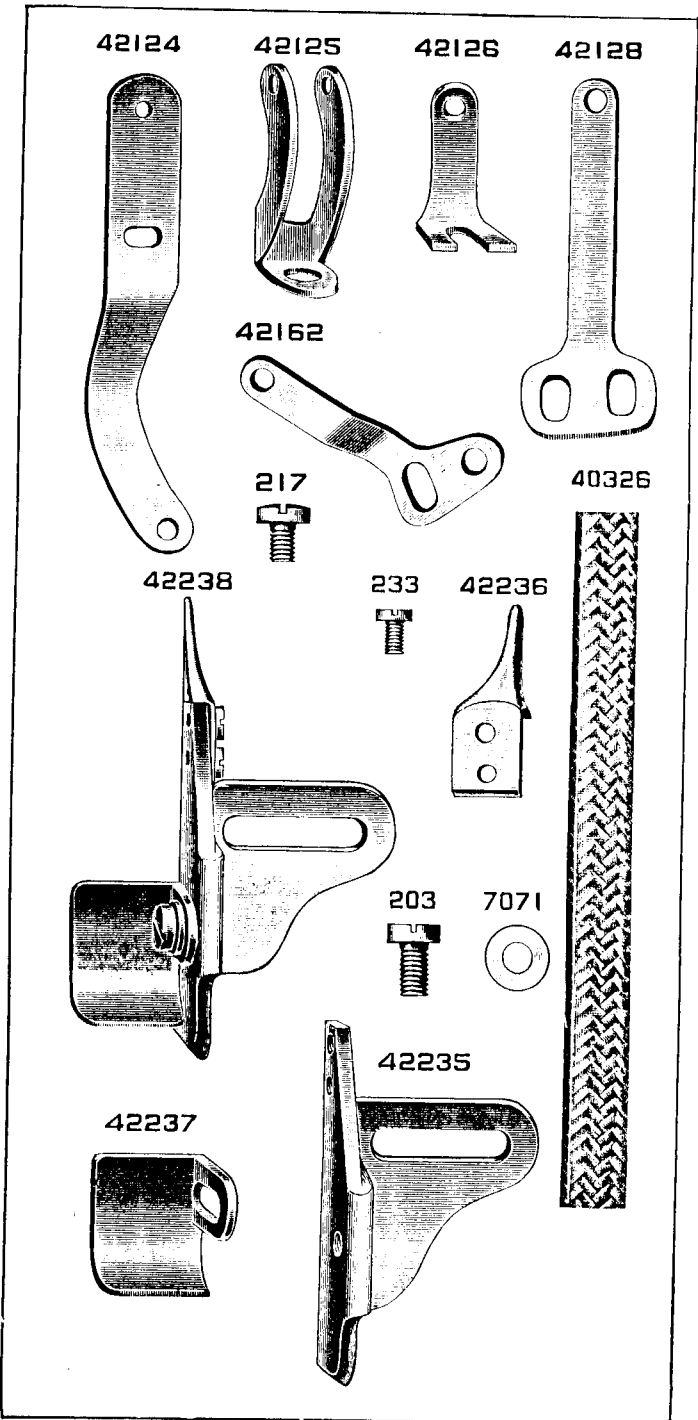


PLATE 5556—FULL SIZE

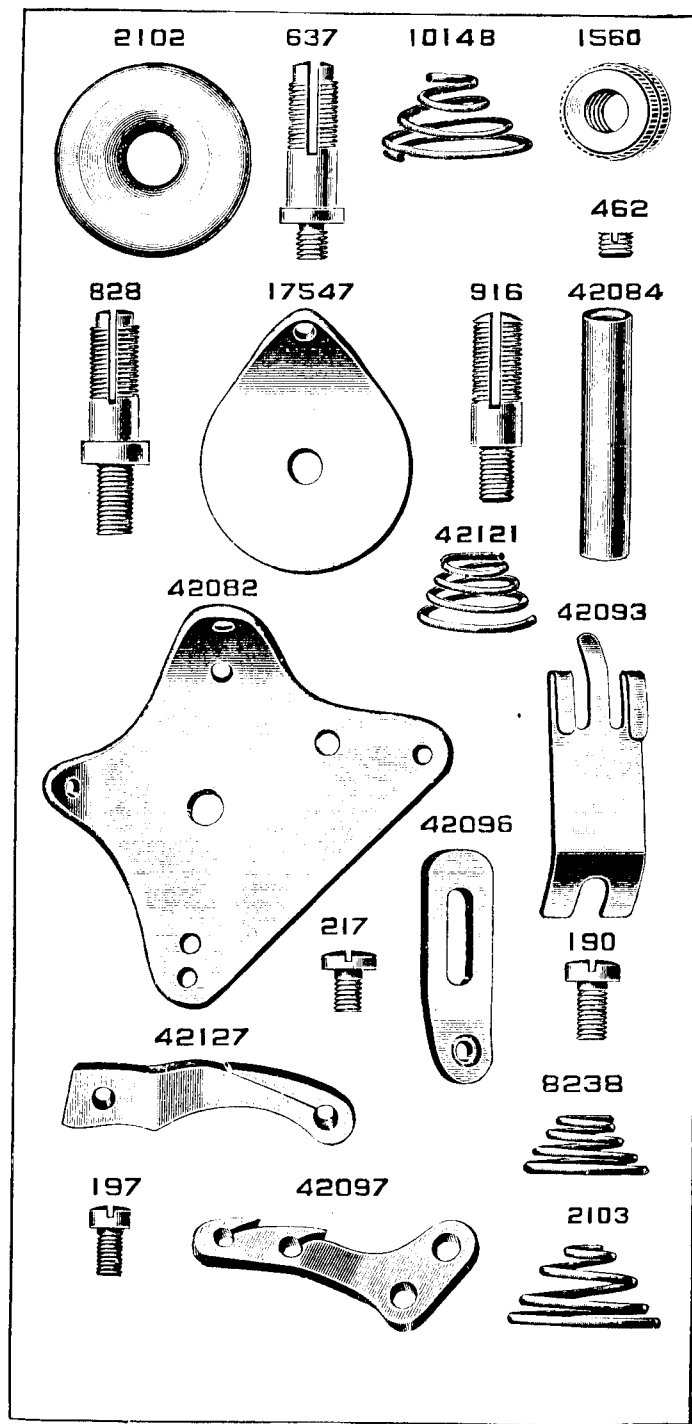


PLATE 5557—FULL SIZE

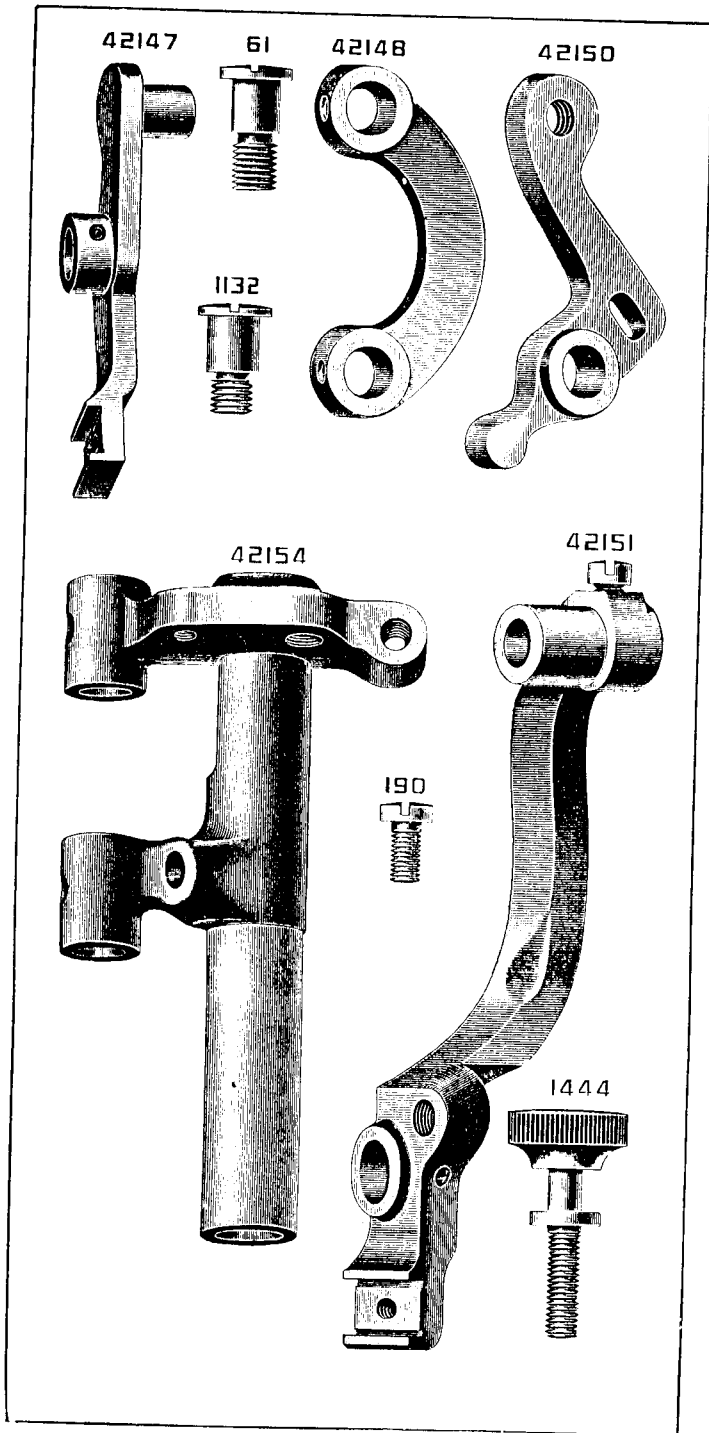


PLATE 5558—FULL SIZE

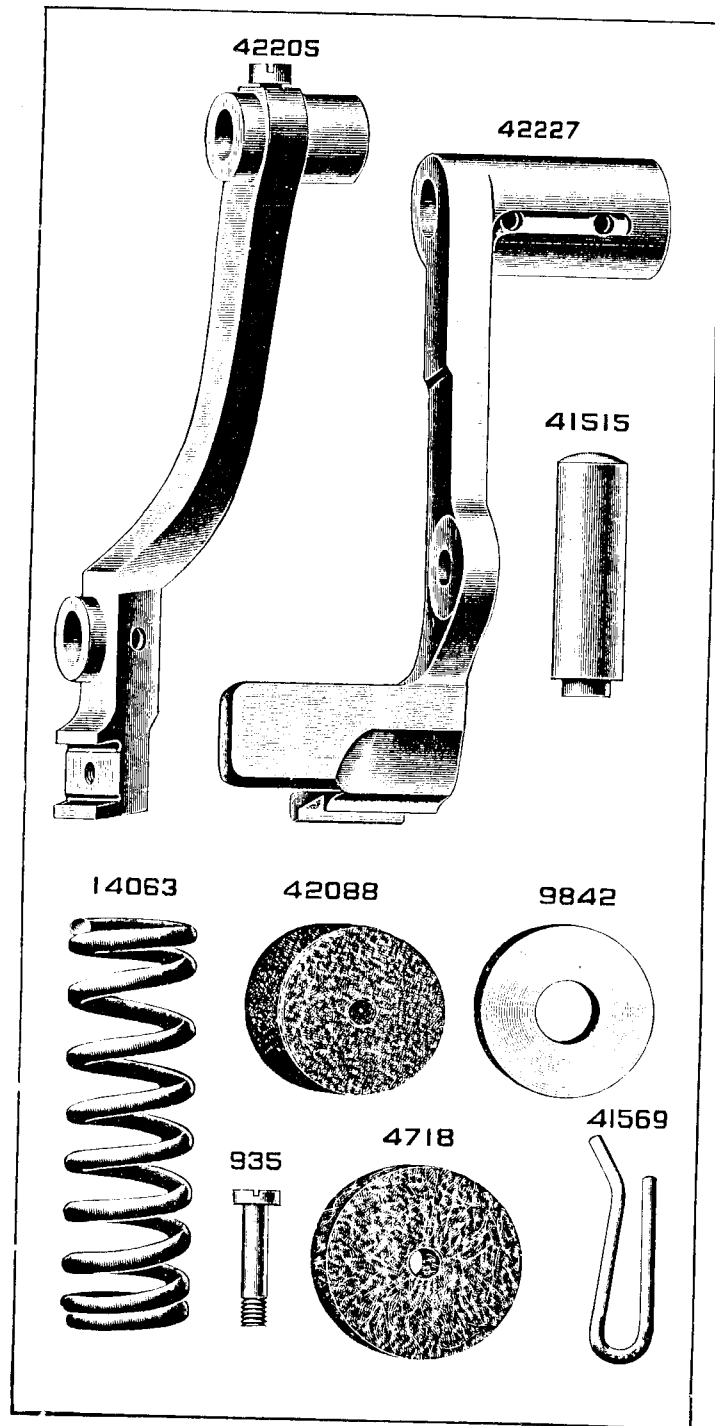


PLATE 5559—FULL SIZE

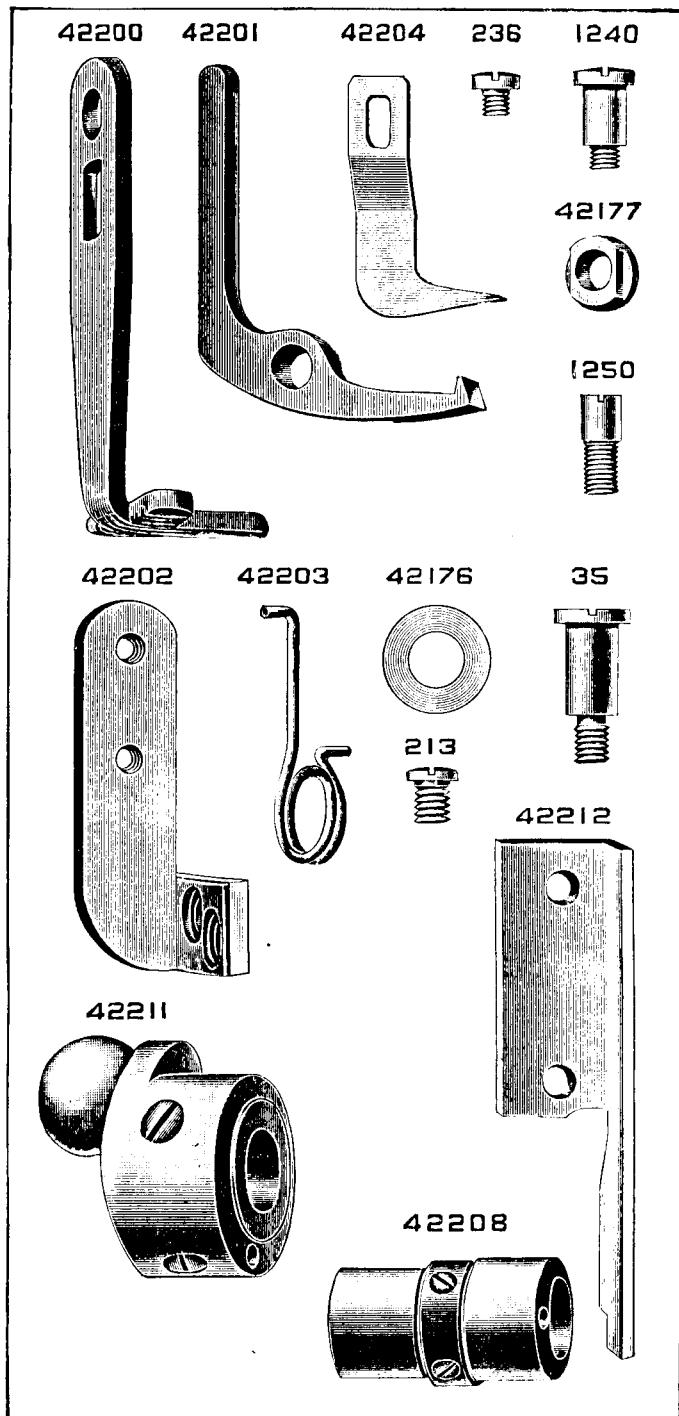


PLATE 5560—FULL SIZE

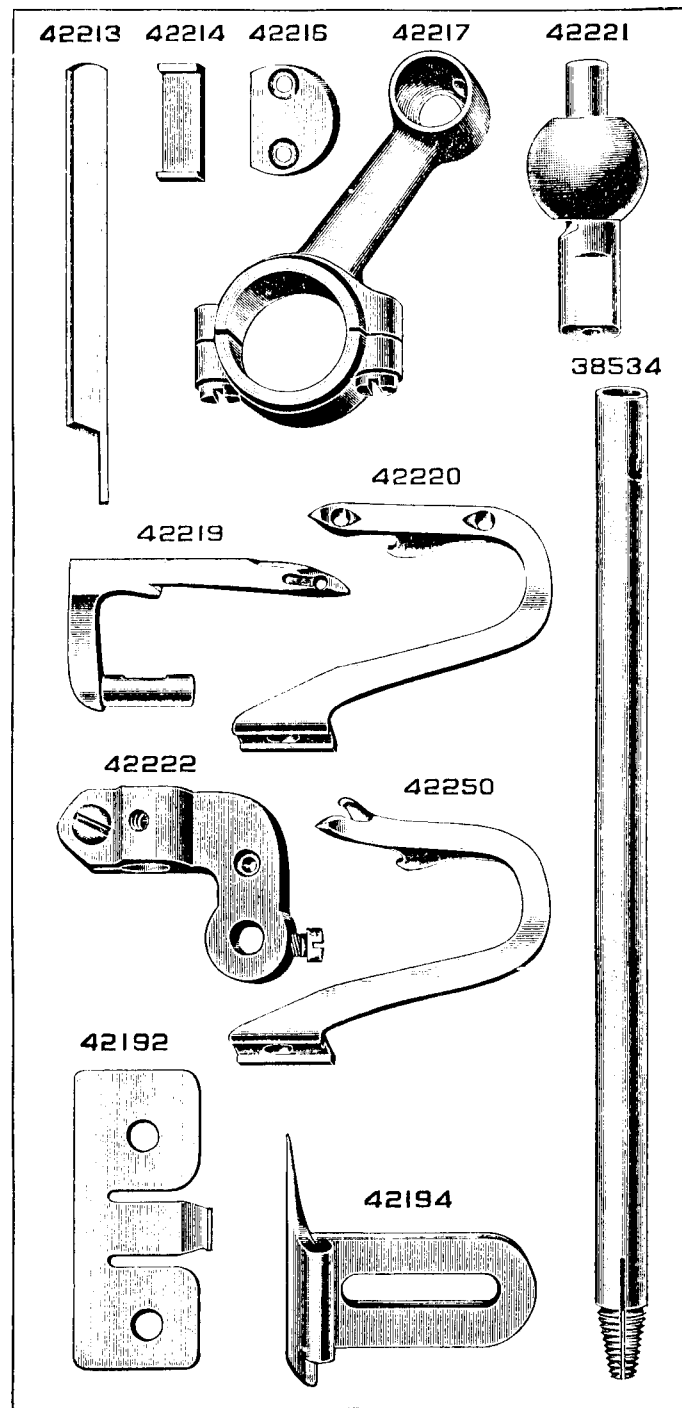


PLATE 5561—FULL SIZE

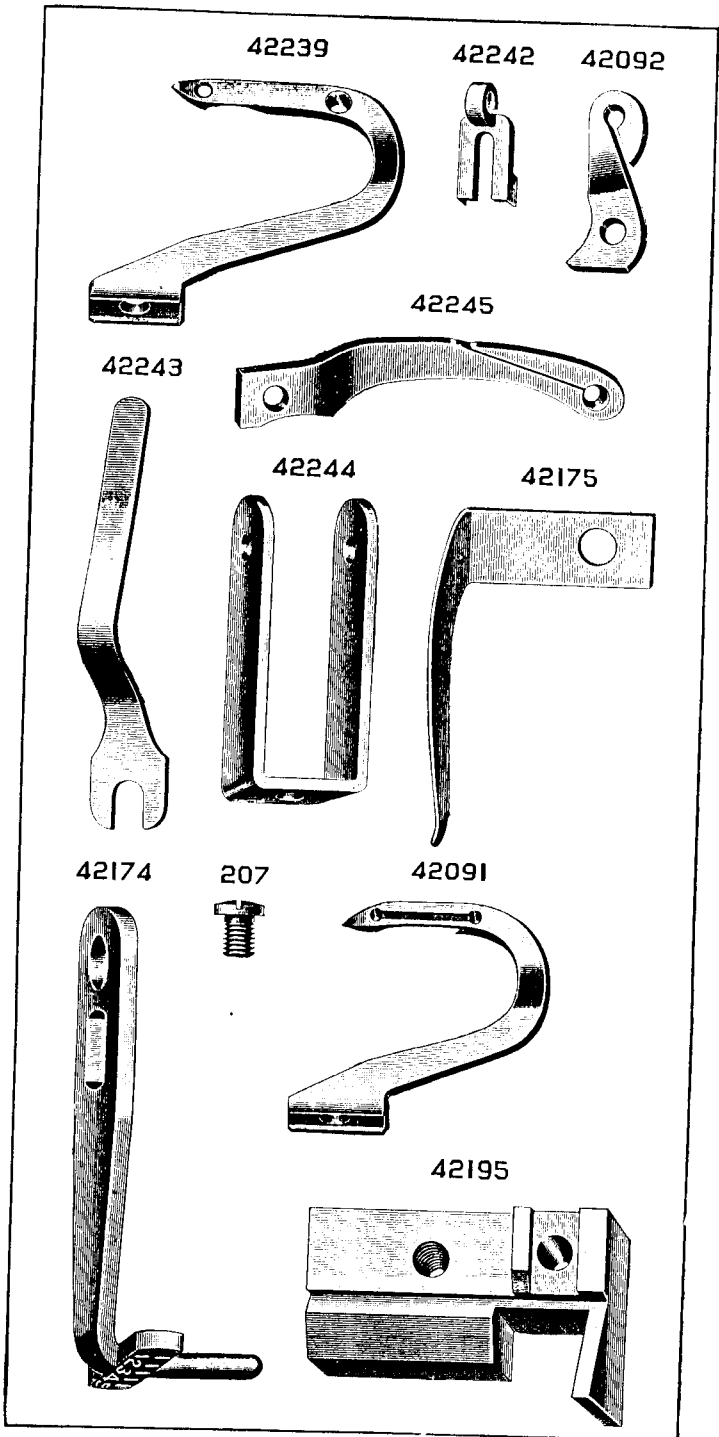


PLATE 5562—FULL SIZE

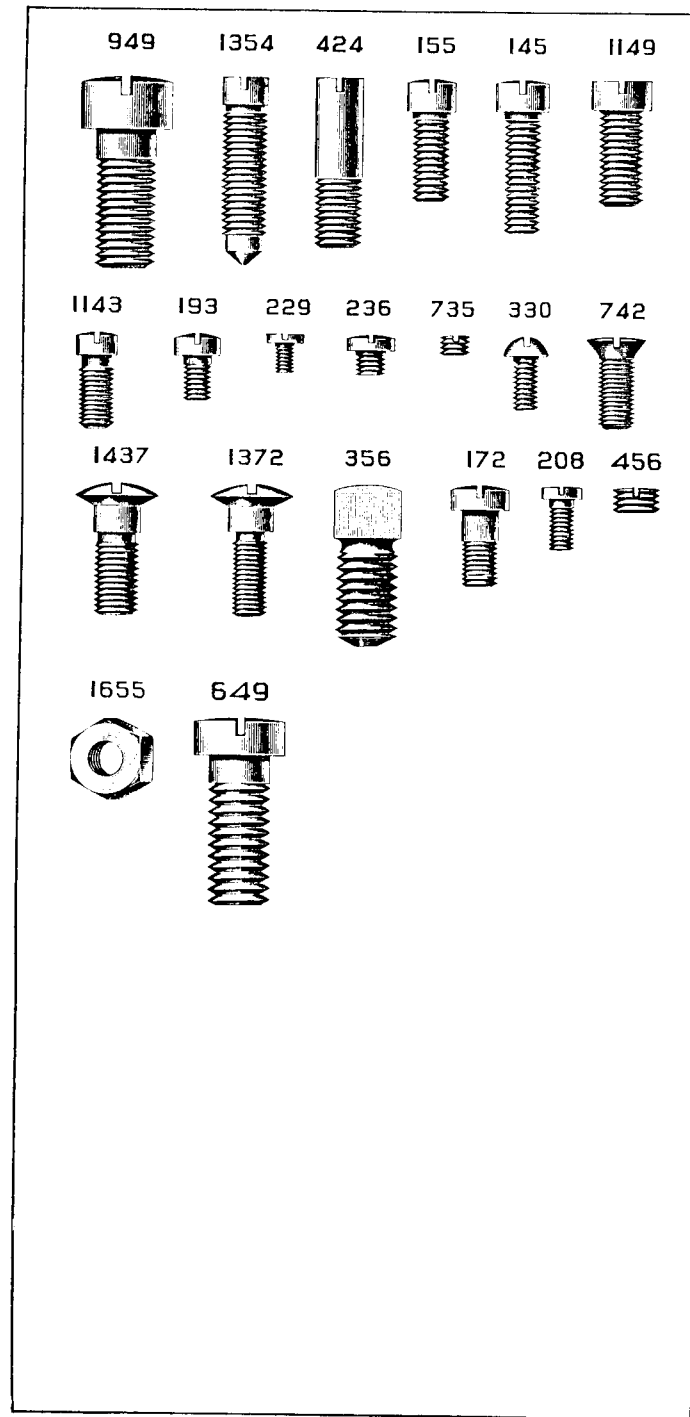


PLATE 5563—FULL SIZE

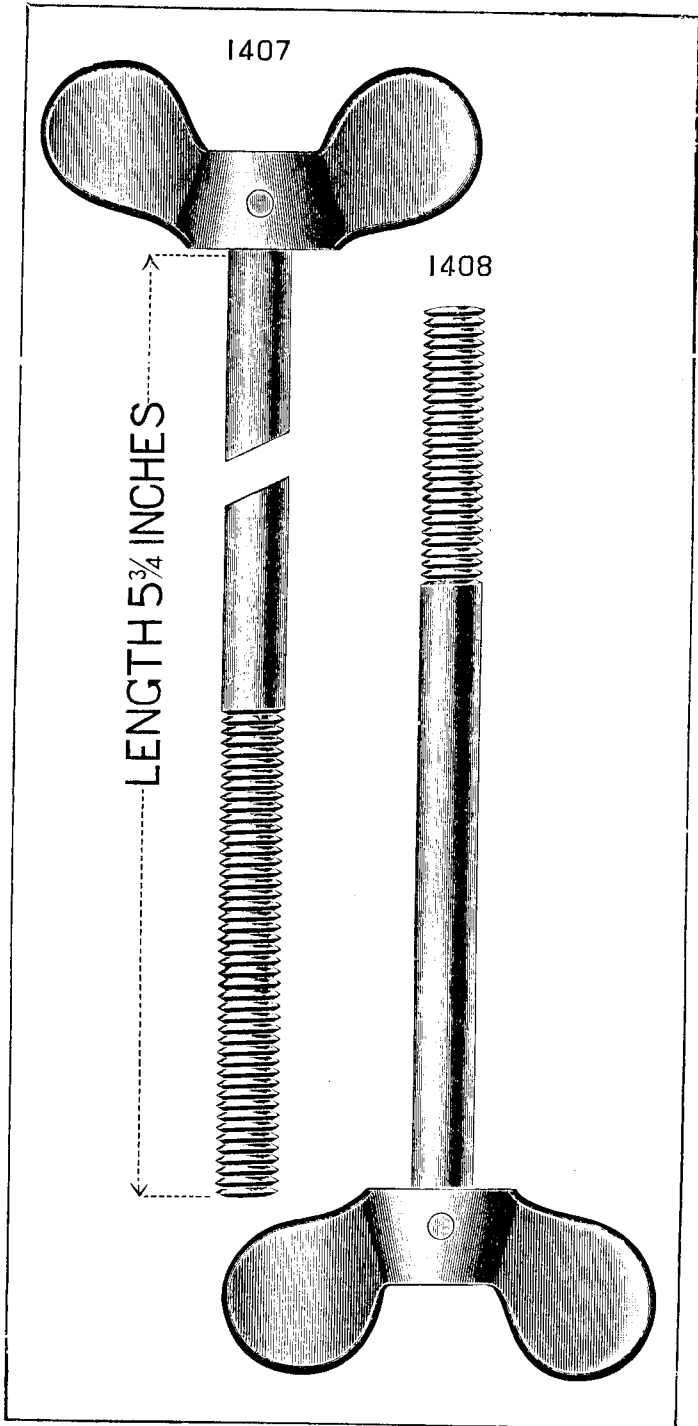


PLATE 5564—ONE-FOURTH SIZE

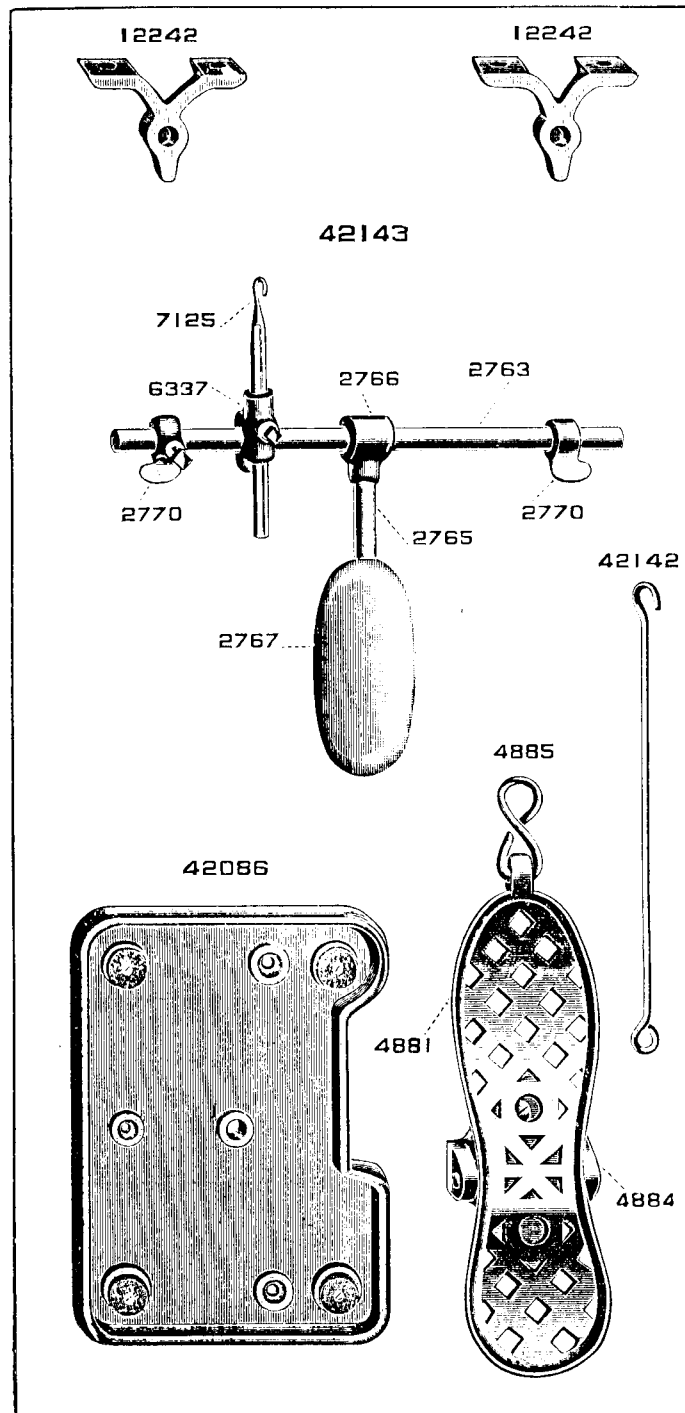




PLATE 5565—FULL SIZE

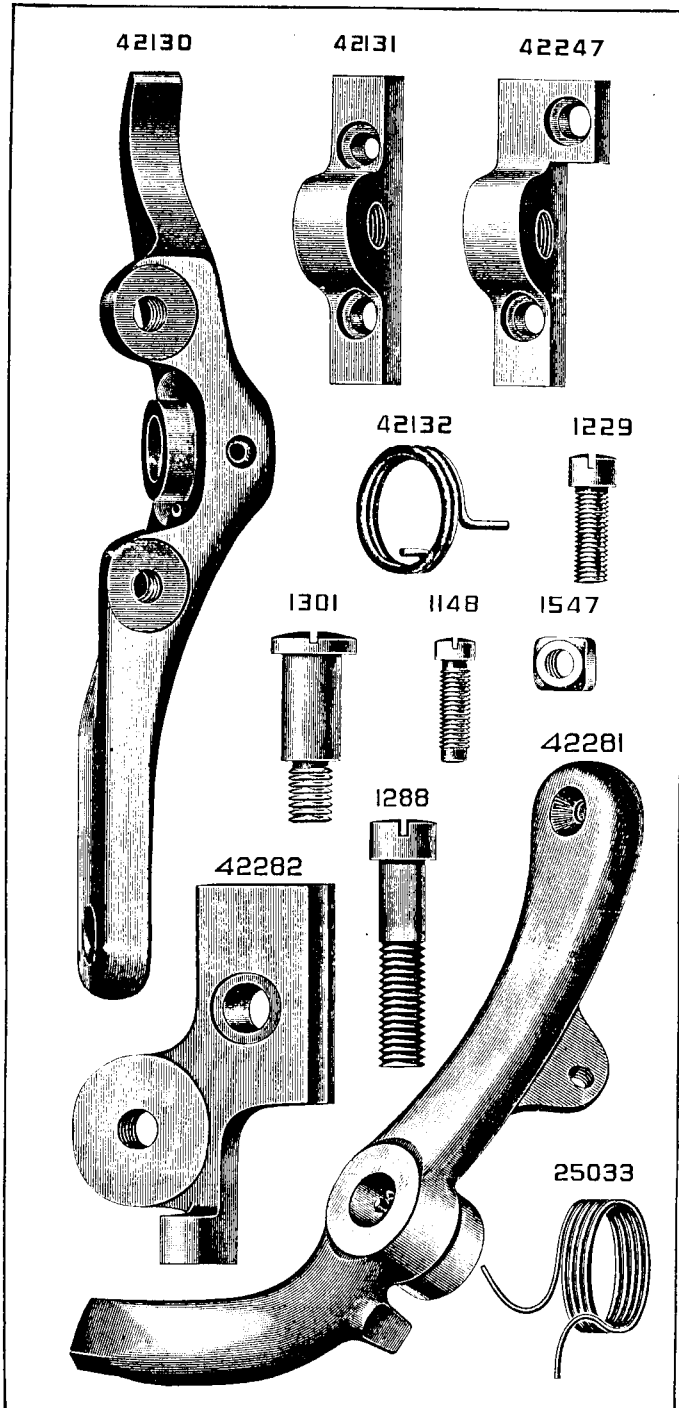


PLATE 5566—ONE-HALF SIZE

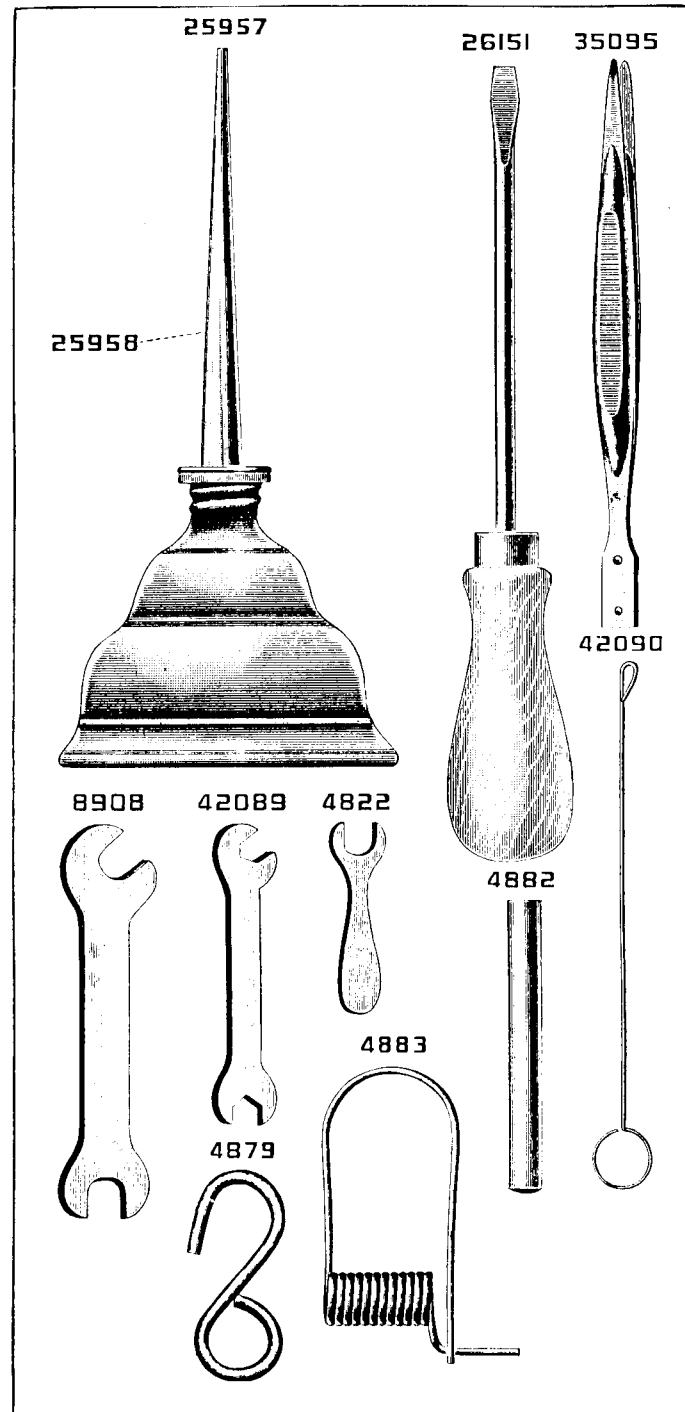


PLATE 5567—ONE-HALF SIZE

41329

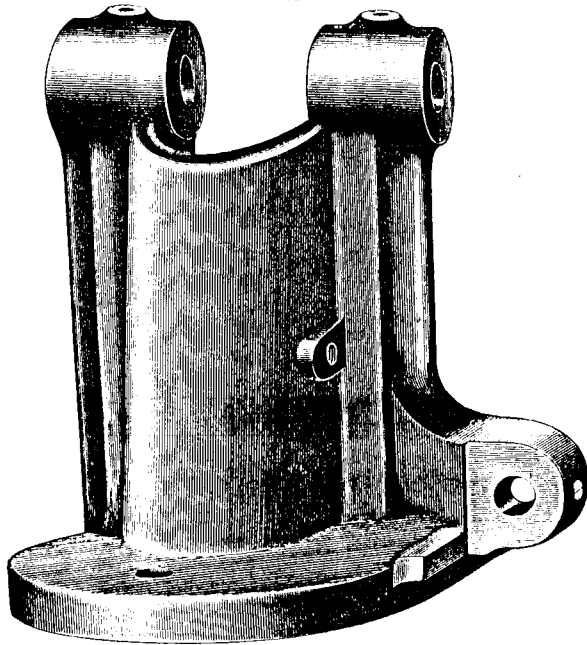
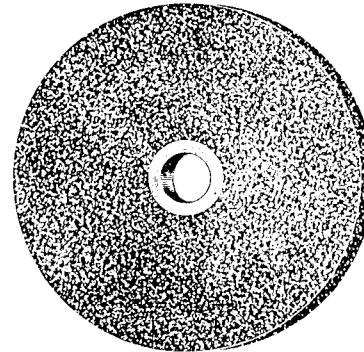


PLATE 5568—ONE-HALF SIZE

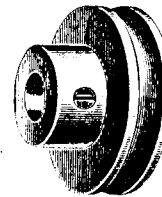
41327



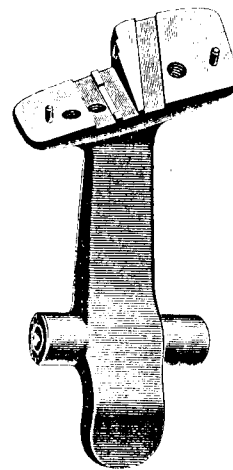
41326



41328



41330



41331

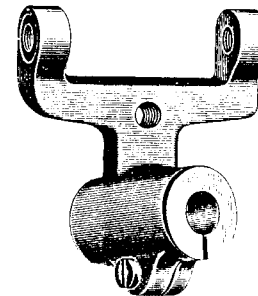


PLATE 5569—FULL SIZE

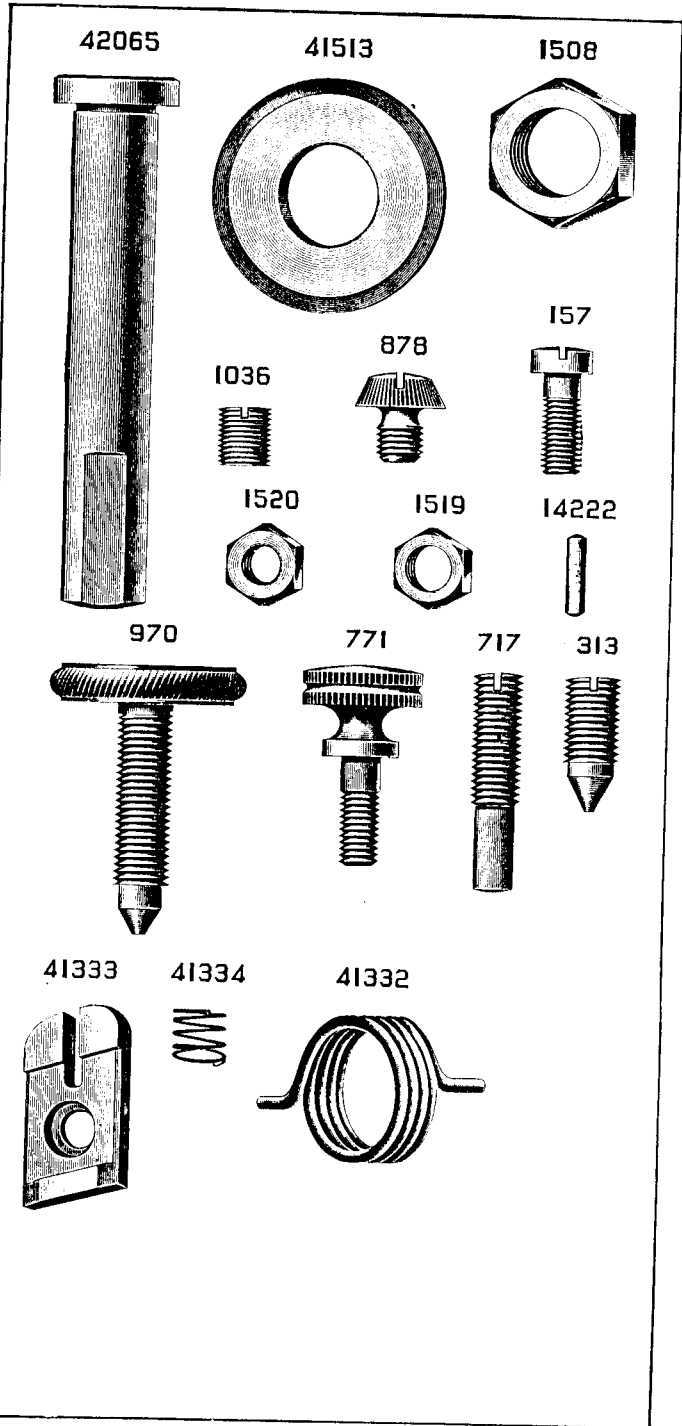


PLATE 5570—ONE-HALF SIZE

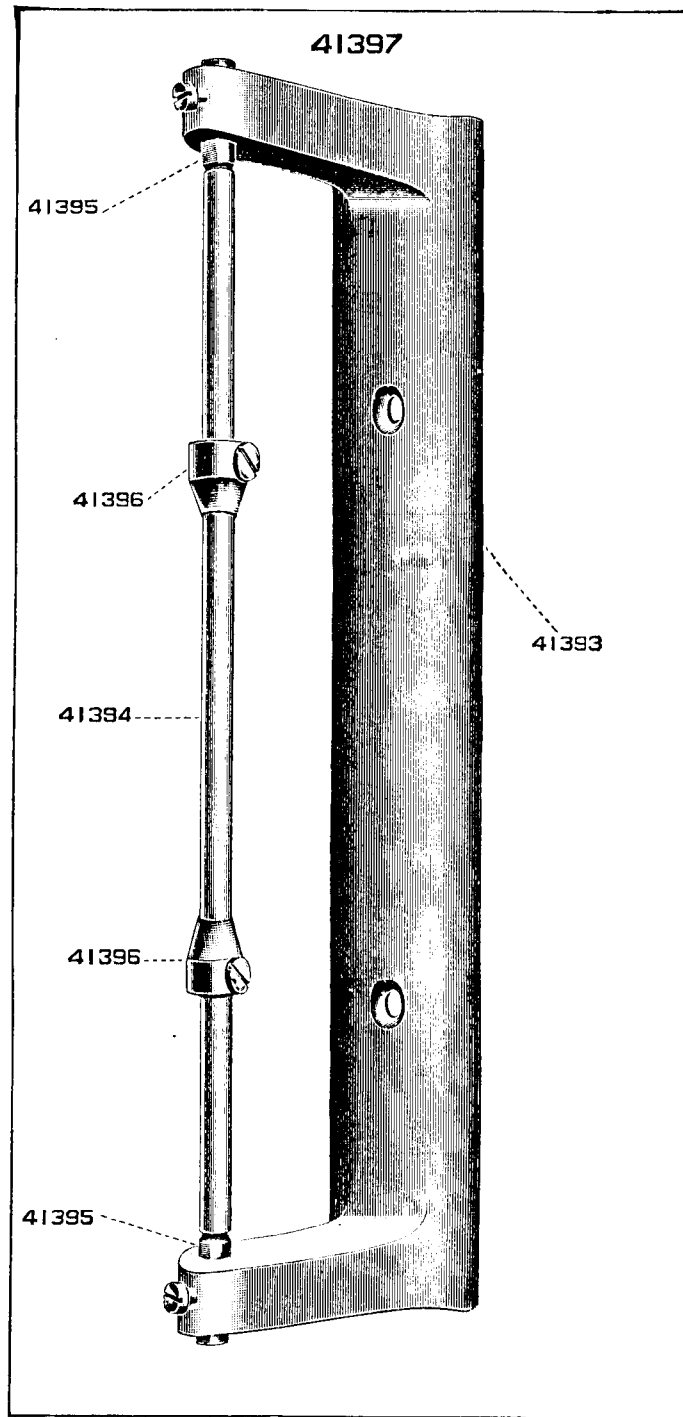


PLATE 5571—ONE-FOURTH SIZE

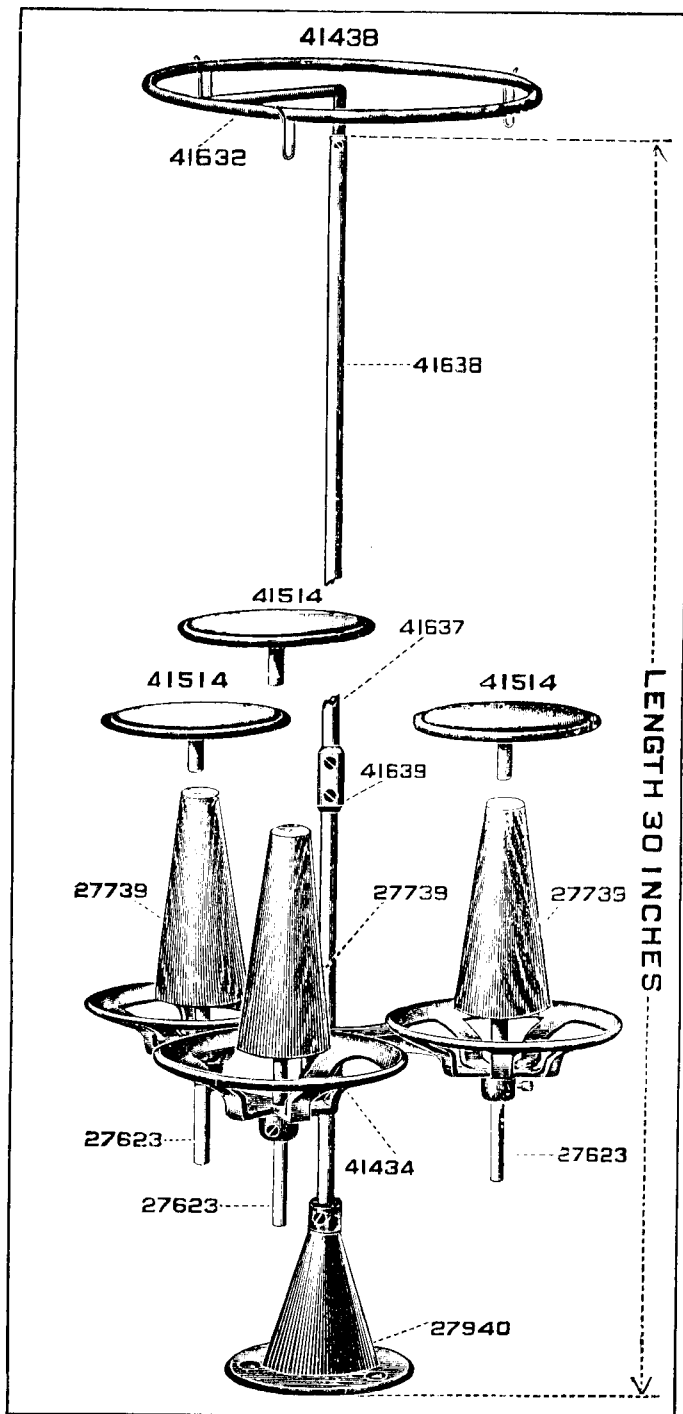


PLATE 5572—ONE-HALF SIZE

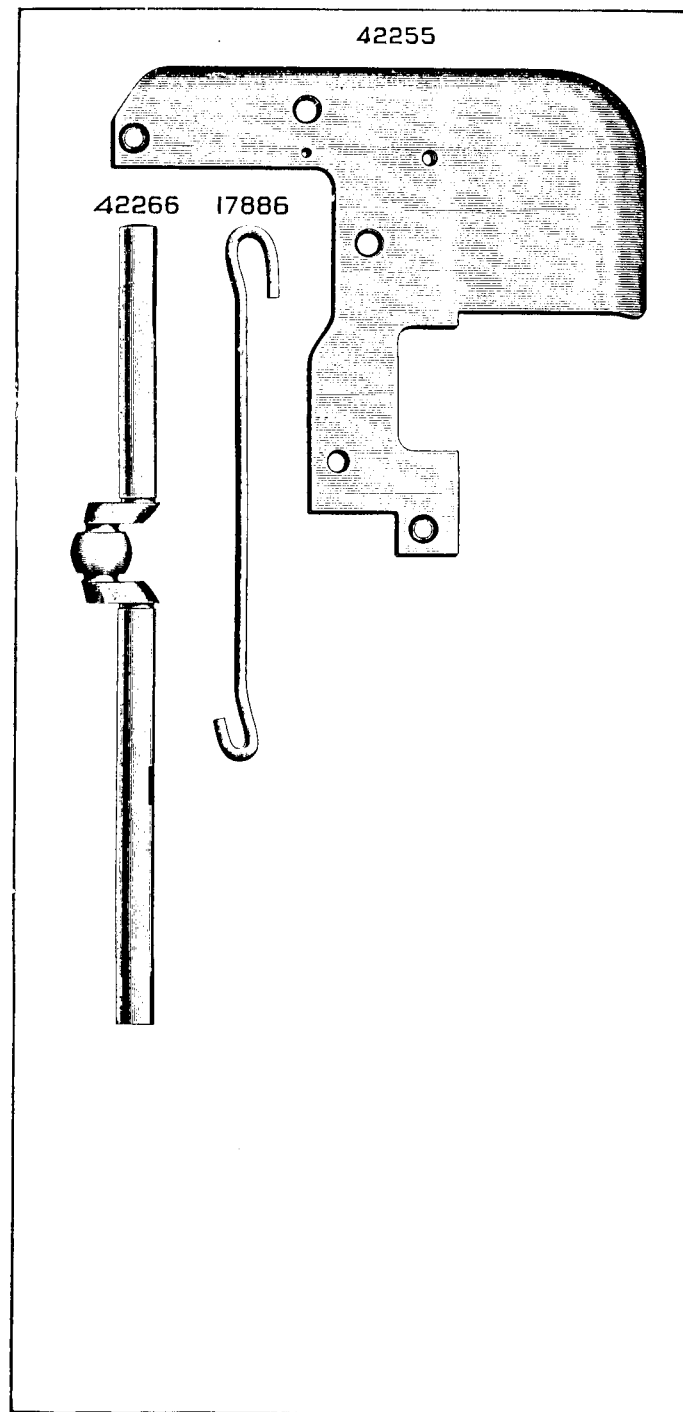


PLATE 5573—FULL SIZE

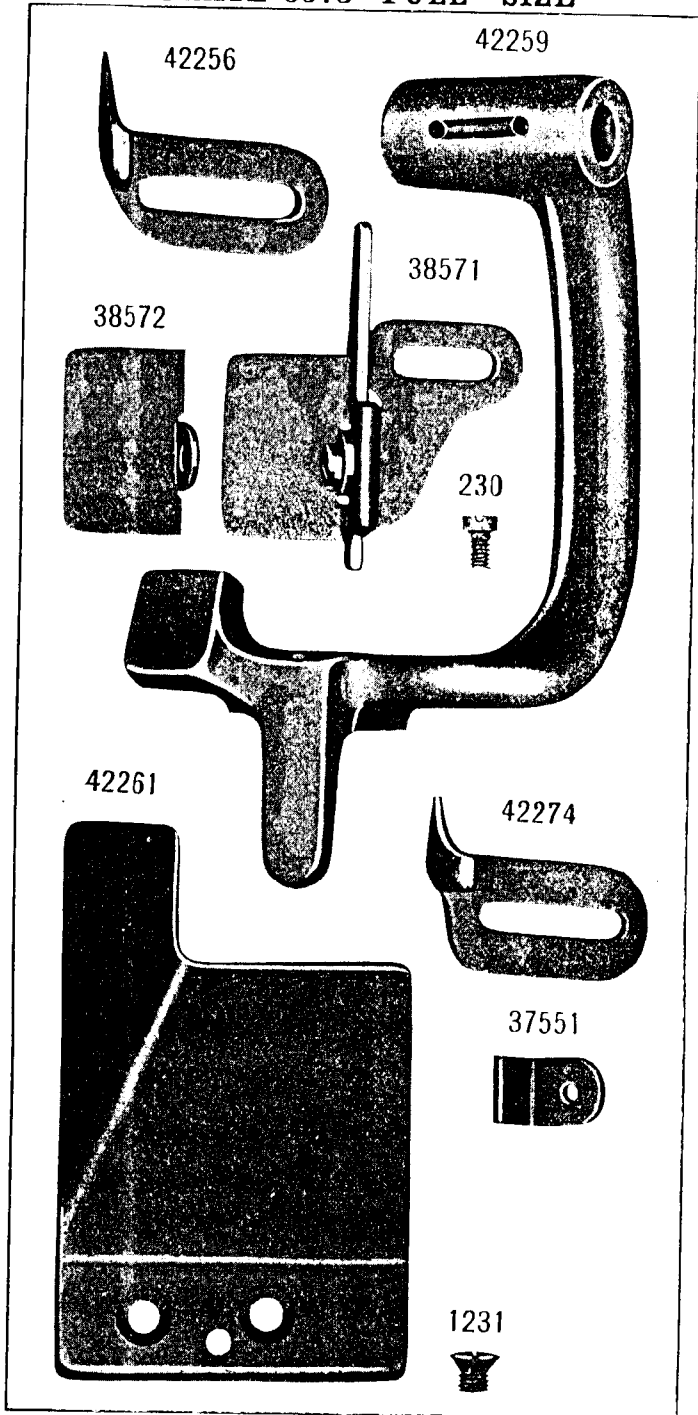


PLATE 5574—FULL SIZE

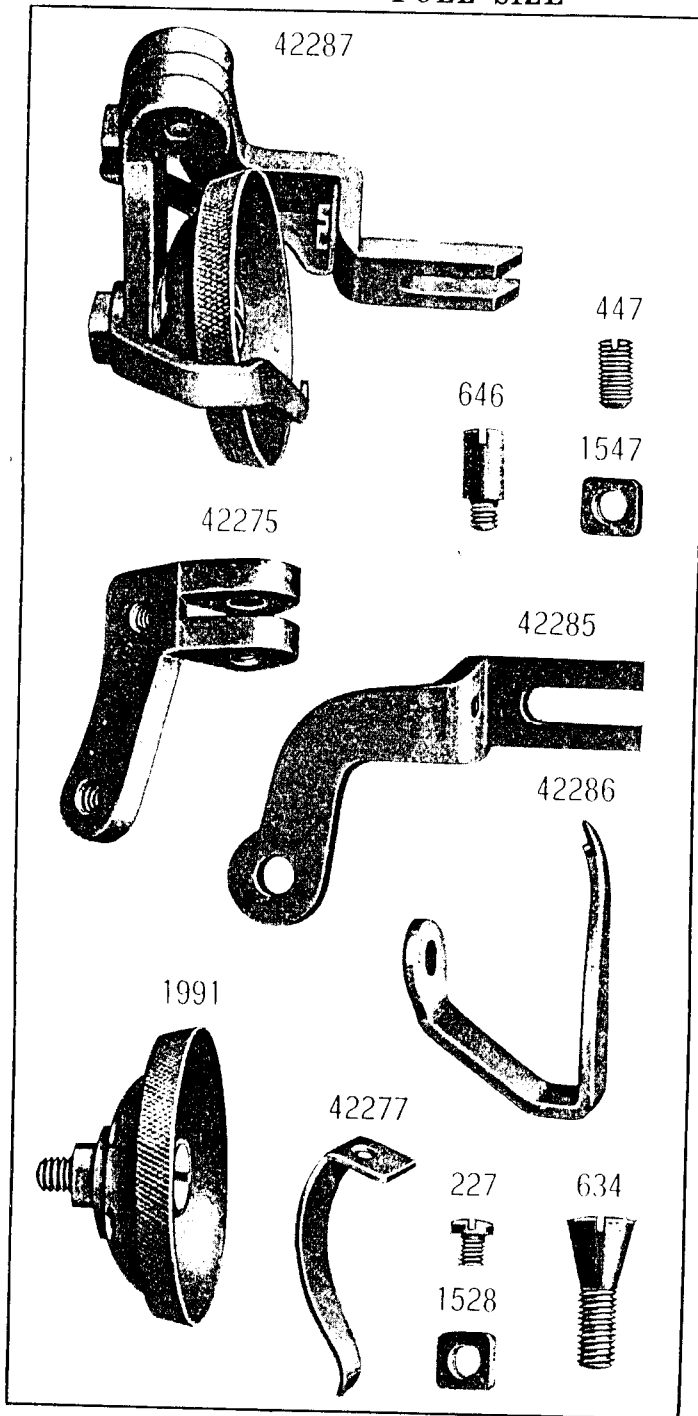
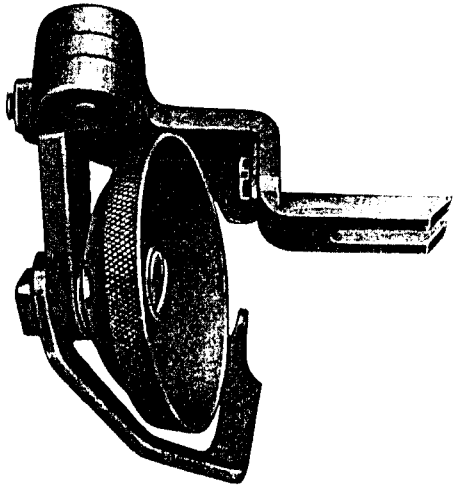
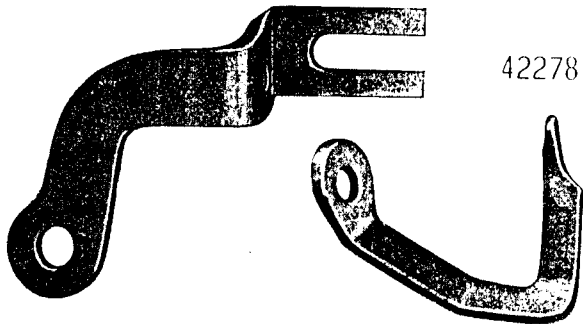


PLATE 5575 - FULL SIZE

42279



42276



42278