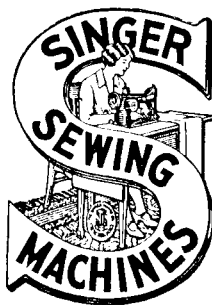


**SINGER**  
**52W18,W19**

# LIST OF PARTS



## MACHINES Nos. 52w18 and 52w19

THE SINGER MANUFACTURING COMPANY

## INDEX

|                               | PAGE |
|-------------------------------|------|
| ACCESSORIES .....             | 27   |
| BOBBIN WINDER .....           | 27   |
| FOOT LIFTER .....             | 28   |
| MACHINE No. 52w18 .....       | 7    |
| "    "    52w19 .....         | 17   |
| MISCELLANEOUS PARTS .....     | 29   |
| NUMERICAL LIST OF PARTS ..... | 31   |
| THREAD UNWINDER .....         | 28   |

# Instructions for Ordering

In ordering from this list, use **ONLY** the **PART** number in the **FIRST** column.

The number stamped on a Sewing Machine Part is the number of the Single Part only, except when the part includes Set Screws, Clamping Screws, Studs and Rollers Spun on, Small Wires riveted, or Parts soldered together, etc., which it is necessary to furnish in combination.

Every combination of parts sent out has its specific number which, although not stamped on Parts (except in above case), must be used when ordering the combination.

Each number always indicates the **SAME PART** in whatever list it appears, or for whatever Machine.

The letters after some of the numbers indicate the style of finish only, as follows:

- A. Hardened, Polished and Plated.
- B. Polished and Plated.
- C. Hardened only.
- D. Polished only.
- E. Soft, not polished.
- F. Hardened and Polished.
- H. Blued.
- J. Nickle Plated only
- R. Merlized.
- Y. Black Nickle Plated only.

These letters **MUST BE USED** when they appear in the list and **AFTER** the number, as in the list.

In this series

200001 to 201500 and 350001 to 351500 are Screw Numbers.  
201501 to 201800 and 351501 to 351800 are Nut Numbers.  
201801 to 202000 and 350801 to 352000 are Roller Numbers.  
202001 to 350000 are Numbers of Machine Parts.

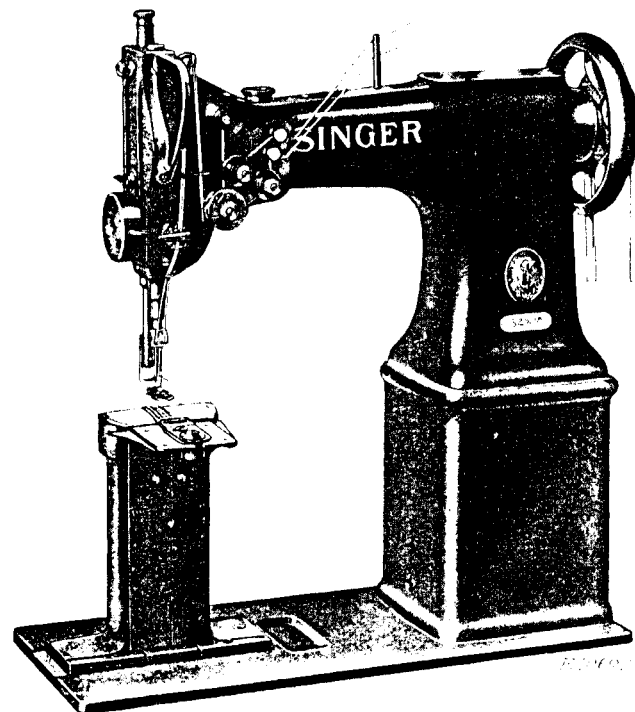
The figures in the second column refer only to the plate in which the illustration of the part is shown and are **NOT TO BE USED** in ordering.

Two or more numbers over a cut indicate that the difference between such parts is not visible in an illustration.

Parts marked with an asterisk (\*) are furnished only when repairs are made at the factory.

## LIST OF PARTS COMPLETE

FOR



## MACHINE No. 52w18

HIGH SPEED. DROP FEED

For Staying Shoes

In gauges from  $\frac{3}{32}$  to  $\frac{1}{2}$  inch

| No.     | Plate | Name                                |
|---------|-------|-------------------------------------|
| *234001 | —     | Arm with 200368H, 202135 and 234047 |
| *234002 | —     | Arm Base                            |
| 204235  | 14048 | " " Position Pin (2)                |
| 200010E | 10245 | " " Screw (3)                       |
| 202005  | 10245 | " " " Washer (3)                    |
| 202247  | 14049 | " Cap                               |
| 200278H | 14048 | " " Screw                           |
| 202248  | 14048 | " " " Washer                        |
| 10554   | 14048 | " Position Pin (2)                  |

## Parts for Machine No. 52w18

| No.     | Plate | Name  |
|---------|-------|---|
| 200010E | 10245 | Arm Screw (3)   |
| 202005  | 10245 | " " Washer  |
| 202249  | 13301 | " Shaft with 200357E and 224392   |
| 240802  | 14049 | " " Bushing (back) with<br>202244                                       |
| 202244  | —     | Arm Shaft Bushing (back) Oil<br>Packing (wick)                          |
| 200338c | 14048 | Arm Shaft Bushing (back) Set<br>Screw                                   |
| 207080  | 14049 | Arm Shaft Bushing (front) with<br>202244                                |
| 202244  | —     | Arm Shaft Bushing (front) Oil<br>Packing (wick)                         |
| 200502B | 10246 | Arm Shaft Bushing (front) Oil<br>Packing Thumb Screw                    |
| 200338c | 14048 | Arm Shaft Bushing (front) Set<br>Screw                                  |
| 234003  | 13301 | Arm Shaft Connection Belt   |
| 202635  | 14049 | " " " " Pulley<br>with 200327c, 200602E and two<br>202253               |
| 200602E | 14048 | Arm Shaft Connection Belt Pulley<br>Position Screw                      |
| 200327c | 14048 | Arm Shaft Connection Belt Pulley<br>Set Screw                           |
| 202253  | 14049 | Arm Shaft Connection Belt Pulley<br>Spring Flange                       |
| 224392  | —     | Arm Shaft Oil Packing (wick)  |
| 200357E | 14048 | " " " " Stop Screw  |
| 234147  | 13301 | Balance Wheel (belt groove 2 7/8 in.<br>diam.) with 200328c and 200335c |
| 200328c | 14048 | Balance Wheel Position Screw  |
| 200335c | 14048 | " " Set Screw   |
| *234004 | —     | Bed   |
| 202258  | 12345 | " Hinge Connection (2)  |
| 200570E | 10245 | " " " " Screw (4)   |
| 203470  | 14048 | Bobbin (2)  |
| 235769  | 14048 | " Case Base with 202056,<br>203211 to 203213 and 203216                 |
| 203211  | 14048 | Bobbin Case Base Latch  |
| *202056 | —     | " " " " Pin   |
| 203212  | 14048 | " " " " Plunger   |
| 203213  | 14048 | " " " " Spring  |
| 235770  | 14048 | " " Cap with 200594c,<br>200984c and 235771                             |
| 234079  | 14048 | Bobbin Case Lever   |
| 234065  | 14048 | " " " " Driving Block   |
| 200076D | 14048 | " " " " " "<br>Screw  |

## Parts for Machine No. 52w18

| No.     | Plate | Name   |
|---------|-------|--|
| 201272c | 14048 | Bobbin Case Lever Hinge Screw  |
| 235771  | 14048 | " " Tension Spring   |
| 200984c | 14048 | " " " " Regulat-<br>ing Screw  |
| 200594c | 14048 | Bobbin Case Tension Spring Screw   |
| 203216  | —     | " " Washer (cloth)   |
| 235772  | —     | Bobbin Case complete, Nos. 235769<br>and 235770                                    |
| 241753  | 14049 | Face Plate   |
| 202135  | 10245 | " " Position Pin   |
| 200462B | 10245 | " " Thumb Screw  |
| 234010  | 14051 | Feed Bar   |
| 200641c | 10246 | " " Hinge Screw (driving)  |
| 201518E | 10245 | " " " " Nut  |
| 202276  | 10245 | " " Slide Block  |
| 234084  | 14048 | " " " " Crank with<br>200038c  |
| 234011  | —     | Feed Bar Slide Block Crank 234084<br>with 200205E, 201518E and 202276              |
| 200038c | 10245 | Feed Bar Slide Block Crank Pinch<br>Screw  |
| 200205E | 10245 | Feed Bar Slide Block Hinge Screw   |
| 201518E | 10245 | " " " " " "<br>Nut   |
| 234052  | 11799 | Feed Dog   |
| 234012  | 14051 | " " Lever with 200098E   |
| 200263D | 14048 | " " " Hinge Screw  |
| 201528D | 14048 | " " " " " Nut  |
| 234066  | 13306 | " " " Post   |
| 234067  | —     | " " " " 234066 with<br>200265E, 201525E, 203610, 203624,<br>234012 and two 200098E |
| 200024c | 14048 | Feed Dog Lever Post Screw (4)  |
| 203637  | 14048 | " " " " " Washer<br>(4)  |
| 203624  | 14050 | Feed Dog Lever Retainer Washer   |
| 200098E | 14050 | " " " " " "  |
| 203610  | 14050 | Feed Dog Lever Slide Block   |
| 200265E | 14050 | " " " " " Hinge<br>Screw   |
| 201525E | 10245 | Feed Dog Lever Slide Block Hinge<br>Screw Nut                                      |
| 200098E | 14050 | Feed Dog Screw   |
| 234015  | 13301 | " Driving Connection with<br>200049E and 202277                                    |
| 202298  | 10245 | Feed Driving Connection Crank<br>with 200038c                                      |

## Parts for Machine No. 52w18

| No.     | Plate | Name   |
|---------|-------|--|
| 200038c | 10245 | Feed Driving Connection Crank Pinch Screw  |
| 200545c | 10245 | Feed Driving Connection Hinge Screw  |
| 201518E | 10245 | Feed Driving Connection Hinge Screw Nut  |
| 202277  | —     | Feed Driving Connection Oil Packing (wick)   |
| 200049E | 14050 | Feed Driving Connection Pinch Screw  |
| 202300  | 10246 | Feed Driving Eccentric Regulating Bracket  |
| 203098  | 13306 | Feed Driving Eccentric Regulating Bracket 202300 with 202635, two each 201014c and 201525E |
| 201014c | 10245 | Feed Driving Eccentric Regulating Bracket Hinge Screw                                      |
| 201525E | 10245 | Feed Driving Eccentric Regulating Bracket Hinge Screw Nut                                  |
| 202301  | 10246 | Feed Driving Eccentric Regulating Bracket Plunger  |
| 202595  | 10246 | Feed Driving Eccentric Regulating Bracket Plunger Spring                                   |
| 200607c | 10246 | Feed Driving Eccentric Regulating Bracket Plunger Spring Stop Screw                        |
| 201014c | 10245 | Feed Driving Eccentric Regulating Bracket Stop Screw                                       |
| 201525E | 10245 | Feed Driving Eccentric Regulating Bracket Stop Screw Nut                                   |
| 200429c | 10246 | Feed Driving Eccentric Regulating Screw  |
| 200383c | 10246 | Feed Driving Eccentric Regulating Screw Check Screw  |
| 202303  | 13301 | Feed Driving Rock Shaft  |
| 234016  | —     | " " " " 202303 with 200641c, 201518E and 234010  |
| 202305  | 10245 | Feed Driving Rock Shaft Center (2)   |
| 200043c | 10246 | " " " " " Set Screw (2)  |
| 234017  | 13301 | Feed Lifting Connection with 200049E and 202277  |
| 202307  | 10246 | Feed Lifting Connection Eccentric with 200382c and 200437c                                 |
| 200437c | 10246 | Feed Lifting Connection Eccentric Position Screw   |
| 200382c | 14050 | Feed Lifting Connection Eccentric Set Screw  |

## Parts for Machine No. 52w18

| No.     | Plate | Name   |
|---------|-------|--|
| 200545c | 10245 | Feed Lifting Connection Hinge Screw  |
| 201518E | 10245 | Feed Lifting Connection Hinge Screw Nut  |
| 202277  | —     | Feed Lifting Connection Oil Packing (wick)   |
| 200049E | 14050 | Feed Lifting Connection Pinch Screw  |
| 234018  | 13301 | Feed Lifting Rock Shaft  |
| 202305  | 10245 | " " " " Center (2)   |
| 200043c | 10246 | " " " " " Set Screw (2)  |
| 202310  | 13306 | Feed Regulating Spindle with 202311, 202443 and 202619   |
| *202311 | —     | Feed Regulating Spindle Head   |
| 202443  | 14050 | " " " " Pin  |
| 202619  | 14050 | " " " " Position Pin   |
| 203061  | 13301 | Foot Lifter Lifting Lever  |
| 200242H | 11796 | " " " " Hinge Screw  |
| 234019  | 13301 | Foot Lifter Lifting Lever Rod with 202302  |
| 202302  | 14050 | Foot Lifter Lifting Lever Rod Cutter Pin   |
| 203058  | 14050 | Foot Lifter Lifting Lever Rod Coupling with 200530c  |
| 200530c | 14050 | Foot Lifter Lifting Lever Rod Coupling Set Screw   |
| 233361  | 11796 | Foot Lifter Lifting Lever Spring   |
| 200273D | 11796 | " " " " " Screw  |
| 233390  | 11796 | Foot Lifter Lifting Lever Washer   |
| 200153E | 11796 | Guide Screw  |
| 201561E | 11796 | " " Thumb Nut  |
| 226071  | 11796 | " " Washer   |
| 230702  | 11796 | " Slide (lower)  |
| 222232  | 11796 | " " "  |
| 230703  | 11796 | " " (upper)  |
| 222233  | 11796 | " " "  |
| 200177D | 11796 | " " " Screw  |
| 230704  | 11796 | Guide (adjustable) complete, for strips from $\frac{1}{8}$ to $\frac{1}{2}$ in., Nos. 200177D, 230702 and 230703 |
| 222234  | 11796 | Guide (adjustable) complete, for strips from $\frac{1}{8}$ to $\frac{3}{4}$ in., Nos. 200177D, 222232 and 222233 |

## Parts for Machine No. 52w18

| No.     | Plate | Name   |
|---------|-------|--|
| *221214 | —     | Hook (sewing)  |
| 241602  | 14050 | " 221214 with 201253F, 201376F and 241604  |
| 241603  | —     | Hook and Bobbin Case complete, Nos. 235772 and 241602  |
| 241550  | 11797 | Hook Bevel Gear Socket, 14 teeth   |
| 234024  | 14050 | " " " " Friction Washer  |
| 200555H | 14050 | Hook Bevel Gear Socket Screw   |
| 241551  | 14050 | " " Pinion, 28 teeth, with two 200378C (2)   |
| 200378C | 14050 | Hook Bevel Pinion Set Screw  |
| 234026  | 13301 | " Driving Shaft  |
| 202321  | 10245 | " " " Bushing (3)  |
| 200346C | 10245 | " " " " Set Screw (3)  |
| 234027  | 14050 | Hook Driving Shaft Collar with two 200378C   |
| 200378C | 14050 | Hook Driving Shaft Collar Set Screw  |
| 234028  | 13306 | Hook Driving Shaft Connection Belt Pulley with 202253 and two 201254C                                    |
| 201254C | 14050 | Hook Driving Shaft Connection Belt Pulley Set Screw  |
| 202253  | 14049 | Hook Driving Shaft Connection Belt Pulley Spring Flange  |
| 224392  | —     | Hook Driving Shaft Oil Packing (wick) (3)  |
| 241604  | 14050 | Hook Gib   |
| 201376F | 14050 | " " Hinge Screw  |
| 201253F | 14050 | " " Screw  |
| 234069  | 13306 | " Post (inside or outside)   |
| 234283  | —     | " " 234069 with 200555H, 201272C, 202299, 221222, 234024, 234065, 234079, 241550, 241603 and two 200076D |
| 234284  | —     | Hook Post 234283 with 203630, 221215, 234073 and eight 200583H   |
| 234285  | —     | Hook Post 234283 with 221215, 234074, 234083 and eight 200583H   |
| 200159F | 14050 | Hook Post Clamping Screw   |
| 203630  | 14051 | " " Cover Plate (back) (inside)  |
| 234083  | 14051 | Hook Post Cover Plate (back) (outside)   |
| 234073  | 14051 | Hook Post Cover Plate (front) (inside)   |

## Parts for Machine No. 52w18

| No.     | Plate | Name  |
|---------|-------|---|
| 234074  | 14051 | Hook Post Cover Plate (front) (outside)   |
| 200583H | 14050 | Hook Post Cover Plate Screw   |
| 202299  | —     | " " Oil Packing (wick)  |
| 200008C | 14050 | " " Screw (4)   |
| 203637  | 14048 | " " " Washer (4)  |
| 221215  | 14051 | " " Slide   |
| 221222  | 14052 | " Washer  |
| 234286  | —     | Hook Post Combination (inside and outside) Complete, Nos. 234067, 234284, 234285 and two 200159F                            |
| 234039  | 11798 | Needle Bar and Holder, in gauges from $\frac{3}{32}$ to $\frac{3}{8}$ in., in steps of $\frac{1}{32}$ in., with two 200141F |
| 202550  | 14049 | Needle Bar Bushing  |
| 200352C | 14052 | " " " Set Screw   |
| 202552  | 14049 | " " Connecting Link   |
| 236073  | 14049 | " " " " Oil Guard   |
| 200161D | 14050 | Needle Bar Connecting Link Oil Guard Screw  |
| 202333  | 14052 | Needle Bar Connecting Link Stud with 202254   |
| 202254  | —     | Needle Bar Connecting Link Stud Oil Packing (wick)  |
| 200374C | 14050 | Needle Bar Connecting Link Stud Set Screw   |
| 200383C | 10246 | Needle Bar Connecting Link Stud Set Screw   |
| *206891 | —     | Needle Bar Connecting Stud  |
| 202329  | —     | " " " " 206891 with 200086C and 202330  |
| 202330  | —     | Needle Bar Connecting Stud Oil Packing (wick)   |
| 200086C | 14052 | Needle Bar Connecting Stud Pinch Screw  |
| 202692  | 14049 | Needle Bar Crank with 200335C, 200374C, 200383C, 200428C and 202333   |
| 234287  | —     | Needle Bar Crank 202692 with 202329, 202399, 202400, 202552 and 223701  |
| 203172  | 14052 | Needle Bar Crank Friction Washer  |
| 200428C | 14052 | " " " Position Screw  |
| 200335C | 14048 | " " " Set Screw   |
| 200141F | 14052 | " Set Screw   |

## Parts for Machine No. 52w18

| No.     | Plate | Name   |
|---------|-------|--|
| 244033  | 11797 | Presser Bar (hollow)   |
| 202335  | —     | “ “ 244033 with 200074F  |
| 207072  | 11798 | “ “ Bushing  |
| 200352C | 14052 | “ “ “ Set Screw  |
| 202554  | 14052 | “ “ Lifter   |
| 200653C | 14052 | “ “ “ Hinge Screw  |
| 244006  | 14052 | “ “ Lifting Releasing Lever<br>Bracket   |
| 200260D | 14052 | Presser Bar Lifting Releasing Lever<br>Bracket Guide Screw   |
| 206608  | 14052 | Presser Bar Lifting Releasing Lever<br>Bracket Spring (spiral)   |
| 202337  | 14052 | Presser Bar Position Guide   |
| 202338  | 14052 | “ “ “ “ Lever<br>with 200086F  |
| 200086F | 14052 | Presser Bar Position Guide Lever<br>Pinch Screw  |
| 200352C | 14052 | Presser Bar Position Guide Set<br>Screw  |
| 236089  | 14052 | Presser Bar Spring   |
| 234044  | 14052 | “ “ “ Stop Rod   |
| 200492B | 14052 | “ “ Thumb Screw (pres-<br>sure regulating)   |
| 200475B | 14053 | Presser Bar Thumb Screw Thumb<br>Set Screw   |
| 202355  | 14053 | Presser Bar Thumb Screw Thumb<br>Set Screw Packing (brass)   |
| 229492  | 11799 | Presser Foot with 229291, 229298<br>and four 200172H, adjustable from<br>$\frac{3}{8}$ to $\frac{3}{4}$ inch |
| 229448  | 11799 | Presser Foot with 229291, 229298<br>and four 200172H, adjustable from<br>$\frac{1}{4}$ to $\frac{3}{8}$ inch |
| 229017  | 11799 | Presser Foot with 229291, 229298<br>and four 200172H, adjustable from<br>$\frac{1}{8}$ to $\frac{1}{2}$ inch |
| 229291  | 15657 | Presser Foot Needle Guide (left)   |
| 229298  | 15657 | “ “ “ “ (right)  |
| 200172H | 15657 | “ “ “ “ Screw  |
| 200074F | 15658 | “ “ Screw  |
| 223701  | 11798 | Take-up Lever  |
| 202399  | 14053 | “ “ Driving Stud with<br>202277  |
| 202277  | —     | Take-up Lever Driving Stud Oil<br>Packing (wick)   |
| 202400  | 14053 | Take-up Lever Hinge Stud with<br>202423  |
| 202423  | —     | Take-up Lever Hinge Stud Oil<br>Packing (wick)   |

## Parts for Machine No. 52w18

| No.     | Plate | Name  |
|---------|-------|---|
| 200383C | 10246 | Take-up Lever Hinge Stud Set<br>Screw   |
| 202401  | —     | Take-up Lever Oiling Felt   |
| 200132E | 14053 | “ “ “ “ Screw   |
| 234086  | 14053 | Tension Bracket with two each<br>200397H, 201224B and 236060  |
| 200159F | 14050 | Tension Bracket Screw   |
| 234047  | 13309 | “ “ “ Socket  |
| 200368H | 13309 | “ “ “ “ Set<br>Screw  |
| 236098  | 14053 | Tension Bracket Thread Guide<br>(double)  |
| 200174H | 14053 | Tension Bracket Thread Guide<br>Screw   |
| 234087  | —     | Tension Bracket complete, Nos.<br>200174H, 200978H, 201199F, 223703,<br>223706, 234086, 236098, 237174, two<br>each 13710, 200309E, 204059, 204271,<br>223704, three 201572B and four<br>244048 |
| 244048  | 13309 | Tension Disc  |
| 236060  | 13309 | “ “ Position Pin  |
| 223703  | 13309 | “ Release Lever   |
| 235072  | 14053 | “ “ “ Rod   |
| 200309E | 13309 | “ “ “ Screw   |
| 223704  | 13309 | “ “ Plunger   |
| 204271  | 13309 | “ “ Washer  |
| 13710   | 14053 | “ Spring  |
| 201224B | 13309 | “ Stud  |
| 201572B | 10881 | “ Thumb Nut   |
| 223706  | 13309 | Thread Controller Disc  |
| 200978H | 13309 | “ “ “ Screw   |
| 237174  | 14053 | “ “ Spring  |
| 242117  | 13309 | “ “ “ Stop  |
| 200132E | 14053 | “ “ “ “ Screw   |
| 201199F | 13309 | “ “ Stud with 204925  |
| 200061C | 14053 | “ “ “ Set Screw   |
| 201572B | 10881 | “ “ “ Thumb Nut   |
| 204925  | 13309 | “ “ “ Washer  |
| 202414  | 13309 | “ Guide   |
| 202417  | 13309 | “ “   |
| 203313  | 13309 | “ “   |
| 200355H | 14053 | “ “ Set Screw   |
| 200397H | 13309 | “ “ “ “   |
| 241755  | —     | “ Lubricator Oil Pad (felt)   |
| 241756  | 14053 | “ “ “ “ Holder  |
| 241757  | 14053 | “ “ “ “ Retainer  |
| 241758  | 14053 | “ “ “ Reservoir   |
| 241759  | —     | “ “ “ Wick  |

## Parts for Machine No. 52w18

| No.     | Plate | Name   |
|---------|-------|--|
| 350280F | 14053 | Thread Lubricator Screw  |
| 214838  | 14053 | " " " Washer   |
| 241760  | —     | Thread Lubricator complete, Nos. 214838, 241755 to 241759 and 350280F  |
| 202091  | 13309 | Thread Retainer Sleeve   |
| 202092  | 13309 | " " Spring   |
| 204058  | 13309 | " " Stud   |
| 200397H | 13309 | " " " Set Screw  |
| 204059  | 13309 | Thread Retainer complete, Nos. 202091, 202092 and 204058   |
| 234290  | 11799 | Throat Plate, 50 needle hole, for needle sizes 14 and 15, in gauges $\frac{3}{32}$ and $\frac{1}{8}$ in., grooved on top for staying |
| 200577H | 10245 | Throat Plate Screw (2)   |
| 230356  | 11797 | Work Plate (adjustable)  |
| 230852  | —     | " " 230356 with 230357, 230358 and four 200169B  |
| 230357  | 11797 | Work Plate Guide (left)  |
| 230358  | 11797 | " " " (right)  |
| 200169B | 11798 | " " " Adjusting Screw  |
| 200169B | 11798 | " " " Screw  |
| 200158B | 11798 | " " Screw (2)  |

## LIST OF PARTS COMPLETE

FOR

## MACHINE No. 52w19

HIGH SPEED. DROP FEED

For Staying Shoes

In gauges from  $\frac{3}{32}$  to  $\frac{1}{2}$  inch

| No.     | Plate | Name  |
|---------|-------|---|
| *234281 | —     | Arm with 200368H, 202135 and 234047                 |
| *234002 | —     | Arm Base  |
| 204235  | 14048 | " " Position Pin (2)                                |
| 200010E | 10245 | " " Screw (3)                                       |
| 202005  | 10245 | " " " Washer (3)                                    |
| 202247  | 14049 | " Cap   |
| 200278H | 14048 | " " Screw   |
| 202248  | 14048 | " " " Washer  |
| 10554   | 14048 | " Position Pin (2)                                  |
| 200010E | 10245 | " Screw (3)   |
| 202005  | 10245 | " " Washer  |
| 202249  | 13301 | " Shaft with 200357E and 224392                     |
| 240802  | 14049 | " " Bushing (back) with 202244                      |
| 202244  | —     | Arm Shaft Bushing (back) Oil Packing (wick)         |
| 200338C | 14048 | Arm Shaft Bushing (back) Set Screw                  |
| 207080  | 14049 | Arm Shaft Bushing (front) with 202244               |
| 202244  | —     | Arm Shaft Bushing (front) Oil Packing (wick)        |
| 200502B | 10246 | Arm Shaft Bushing (front) Oil Packing Thumb Screw   |
| 200338C | 14048 | Arm Shaft Bushing (front) Set Screw                 |
| 234003  | 11797 | Arm Shaft Connection Belt                           |
| 202635  | 14049 | " " " " Pulley with 200327C, 200602E and two 202253 |
| 200602E | 14048 | Arm Shaft Connection Belt Pulley Position Screw     |
| 200327C | 14048 | Arm Shaft Connection Belt Pulley Set Screw          |



## Parts for Machine No. 52w19

| No.     | Plate | Name   |
|---------|-------|--|
| 202253  | 14049 | Arm Shaft Connection Belt Pulley Spring Flange                       |
| 224392  | —     | Arm Shaft Oil Packing (wick)   |
| 200357E | 14048 | " " " " Stop Screw   |
| 234147  | 13301 | Balance Wheel (belt groove 2 3/4 in. diam.) with 200328c and 200335c |
| 200328c | 14048 | Balance Wheel Position Screw   |
| 200335c | 14048 | " " Set Screw  |
| *234004 | —     | Bed  |
| 202258  | 12345 | " Hinge Connection (2)   |
| 200570E | 10245 | " " " Screw (4)  |
| 203470  | 14048 | Bobbin (2)   |
| 235769  | 14048 | " Case Base with 202056, 203211 to 203213 and 203216                 |
| 203211  | 14048 | Bobbin Case Base Latch   |
| *202056 | —     | " " " " Pin  |
| 203212  | 14048 | " " " " Plunger  |
| 203213  | 14048 | " " " " Spring   |
| 235770  | 14048 | " " Cap with 200594c, 200984c and 235771                             |
| 234079  | 14048 | Bobbin Case Lever  |
| 234065  | 14048 | " " " Driving Block  |
| 200076D | 14048 | " " " " " Screw  |
| 201272c | 14048 | Bobbin Case Lever Hinge Screw  |
| 235771  | 14048 | " " Tension Spring   |
| 200984c | 14048 | " " " " Regulat- ing Screw   |
| 200594c | 14048 | Bobbin Case Tension Spring Screw                                     |
| 203216  | —     | " " Washer (cloth)   |
| 235772  | —     | Bobbin Case complete, Nos. 235769 and 235770                         |
| 241753  | 14049 | Face Plate   |
| 202135  | 10245 | " " Position Pin   |
| 200462B | 10245 | " " Thumb Screw  |
| 234010  | 14051 | Feed Bar   |
| 200641c | 10246 | " " Hinge Screw (driving)  |
| 201518E | 10245 | " " " " Nut  |
| 202276  | 10245 | " " Slide Block  |
| 234084  | 14048 | " " " " Crank with 200038c   |
| 234011  | —     | Feed Bar Slide Block Crank 234084 with 200205F, 201518E and 202276   |
| 200038c | 10245 | Feed Bar Slide Block Crank Pinch Screw                               |
| 200205F | 10245 | Feed Bar Slide Block Hinge Screw                                     |
| 201518E | 10245 | " " " " " " Nut  |

## Parts for Machine No. 52w19

| No.     | Plate | Name   |
|---------|-------|--|
| 234052  | 11799 | Feed Dog   |
| 234012  | 14051 | " " Lever with 200098E   |
| 200263D | 14048 | " " " Hinge Screw  |
| 201528D | 14048 | " " " " " Nut  |
| 234066  | 13306 | " " " Post   |
| 234067  | —     | " " " " 234066 with 200265E, 201525E, 203610, 203624, 234012 and two 200098F               |
| 200024c | 14048 | Feed Dog Lever Post Screw (4)  |
| 203637  | 14048 | " " " " " Washer (4)   |
| 203624  | 14050 | Feed Dog Lever Retainer Washer   |
| 200098F | 14050 | " " " " " Screw  |
| 203610  | 14050 | Feed Dog Lever Slide Block   |
| 200265E | 14050 | " " " " " Hinge Screw  |
| 201525E | 10245 | Feed Dog Lever Slide Block Hinge Screw Nut   |
| 200098E | 14050 | Feed Dog Screw   |
| 234015  | 13301 | " Driving Connection with 200049E and 202277   |
| 202298  | 10245 | Feed Driving Connection Crank with 200038c   |
| 200038c | 10245 | Feed Driving Connection Crank Pinch Screw  |
| 200545c | 10245 | Feed Driving Connection Hinge Screw  |
| 201518E | 10245 | Feed Driving Connection Hinge Screw Nut  |
| 202277  | —     | Feed Driving Connection Oil Packing (wick)   |
| 200049E | 14050 | Feed Driving Connection Pinch Screw  |
| 202300  | 10246 | Feed Driving Eccentric Regulating Bracket  |
| 203098  | 13306 | Feed Driving Eccentric Regulating Bracket 202300 with 202635, two each 201014c and 201525E |
| 201014c | 10245 | Feed Driving Eccentric Regulating Bracket Hinge Screw                                      |
| 201525E | 10245 | Feed Driving Eccentric Regulating Bracket Hinge Screw Nut                                  |
| 202301  | 10246 | Feed Driving Eccentric Regulating Bracket Plunger  |
| 202595  | 10246 | Feed Driving Eccentric Regulating Bracket Plunger Spring                                   |

## Parts for Machine No. 52w19

| No.     | Plate | Name  |
|---------|-------|---|
| 200607c | 10246 | Feed Driving Eccentric Regulating Bracket Plunger Spring Stop Screw |
| 201014c | 10245 | Feed Driving Eccentric Regulating Bracket Stop Screw                |
| 201525E | 10245 | Feed Driving Eccentric Regulating Bracket Stop Screw Nut            |
| 200429c | 10246 | Feed Driving Eccentric Regulating Screw                             |
| 200383c | 10246 | Feed Driving Eccentric Regulating Screw Check Screw                 |
| 202303  | 13301 | Feed Driving Rock Shaft   |
| 234016  | —     | " " " " 202303 with 200641c, 201518E and 234010                     |
| 202305  | 10245 | Feed Driving Rock Shaft Center (2)                                  |
| 200043c | 10246 | " " " " " Set Screw (2)   |
| 234017  | 13301 | Feed Lifting Connection with 200049E and 202277                     |
| 202307  | 10246 | Feed Lifting Connection Eccentric with 200382c and 200437c          |
| 200437c | 10246 | Feed Lifting Connection Eccentric Position Screw                    |
| 200382c | 14050 | Feed Lifting Connection Eccentric Set Screw                         |
| 200545c | 10245 | Feed Lifting Connection Hinge Screw                                 |
| 201518E | 10245 | Feed Lifting Connection Hinge Screw Nut                             |
| 202277  | —     | Feed Lifting Connection Oil Packing (wick)                          |
| 200049E | 14050 | Feed Lifting Connection Pinch Screw                                 |
| 234018  | 13301 | Feed Lifting Rock Shaft   |
| 202305  | 10245 | " " " " Center (2)  |
| 200043c | 10246 | " " " " " Set Screw (2)   |
| 202310  | 13306 | Feed Regulating Spindle with 202311, 202443 and 202619              |
| *202311 | —     | Feed Regulating Spindle Head  |
| 202443  | 14050 | " " " " Pin   |
| 202619  | 14050 | " " " " Position Pin  |
| 234282  | 11797 | Foot Lifter Lifting Lever   |
| 200242H | 11796 | " " " " Hinge Screw   |
| 234019  | 13301 | Foot Lifter Lifting Lever Rod with 202302                           |

## Parts for Machine No. 52w19

| No.     | Plate | Name  |
|---------|-------|---|
| 202302  | 14050 | Foot Lifter Lifting Lever Rod Cotter Pin  |
| 203058  | 14050 | Foot Lifter Lifting Lever Rod Coupling with 200530c   |
| 200530c | 14050 | Foot Lifter Lifting Lever Rod Coupling Set Screw  |
| 203059  | 11796 | Foot Lifter Lifting Lever Rod Spring  |
| 203060  | 11796 | Foot Lifter Lifting Lever Rod Spring Hook   |
| 200153E | 11796 | Guide Screw   |
| 201561E | 11796 | " " Thumb Nut   |
| 226071  | 11796 | " " Washer  |
| 230702  | 11796 | " Slide (lower)   |
| 222232  | 11796 | " " "   |
| 230703  | 11796 | " " (upper)   |
| 222233  | 11796 | " " "   |
| 200177D | 11796 | " " " Screw   |
| 230704  | 11796 | Guide (adjustable) complete, for strips from $\frac{7}{32}$ to $\frac{1}{2}$ in., Nos. 200177D, 230702 and 230703 |
| 222234  | 11796 | Guide (adjustable) complete, for strips from $\frac{1}{4}$ to $\frac{3}{8}$ in., Nos. 200177D, 222232 and 222233  |
| *221214 | —     | Hook (sewing)   |
| 241602  | 14050 | " 221214 with 201253E, 201376E and 241604   |
| 241603  | —     | Hook and Bobbin Case complete, Nos. 235772 and 241602   |
| 241550  | 11797 | Hook Bevel Gear Socket, 14 teeth  |
| 234024  | 14050 | " " " " Friction Washer   |
| 200555H | 14050 | Hook Bevel Gear Socket Screw  |
| 241551  | 14050 | " " Pinion, 28 teeth, with two 200378c (2)  |
| 200378c | 14050 | Hook Bevel Pinion Set Screw   |
| 234026  | 13301 | " Driving Shaft   |
| 202321  | 10245 | " " " Bushing (3)   |
| 200346c | 10245 | " " " " Set Screw (3)   |
| 234027  | 14050 | Hook Driving Shaft Collar with two 200378c  |
| 200378c | 14050 | Hook Driving Shaft Collar Set Screw   |
| 234028  | 13306 | Hook Driving Shaft Connection Belt Pulley with 202253 and two 201254c   |
| 201254c | 14050 | Hook Driving Shaft Connection Belt Pulley Set Screw   |

## Parts for Machine No. 52w19

| No.     | Plate | Name   |
|---------|-------|--|
| 202253  | 14049 | Hook Driving Shaft Connection Belt Pulley Spring Flange  |
| 224392  | —     | Hook Driving Shaft Oil Packing (wick) (3)  |
| 241604  | 14050 | Hook Gib   |
| 201376F | 14050 | " " Hinge Screw  |
| 201253F | 14050 | " " Screw  |
| 234069  | 13306 | " Post (inside or outside)   |
| 234283  | —     | Hook Post 234069 with 200555H, 201272c, 202299, 221222, 234024, 234065, 234079, 241550, 241603 and two 200076D               |
| 234284  | —     | Hook Post 234283 with 203630, 221215, 234073 and eight 200583H   |
| 234285  | —     | Hook Post 234283 with 221215, 234074, 234083 and eight 200583H   |
| 200159F | 14050 | Hook Post Clamping Screw   |
| 203630  | 14051 | " " Cover Plate (back) (inside)  |
| 234083  | 14051 | Hook Post Cover Plate (back) (outside)   |
| 234073  | 14051 | Hook Post Cover Plate (front) (inside)   |
| 234074  | 14051 | Hook Post Cover Plate (front) (outside)  |
| 200583H | 14050 | Hook Post Cover Plate Screw  |
| 202299  | —     | " " Oil Packing (wick)   |
| 200008c | 14050 | " " Screw (4)  |
| 203637  | 14048 | " " Washer (4)   |
| 221215  | 14051 | " " Slide  |
| 221222  | 14052 | " Washer   |
| 234286  | —     | Hook Post Combination (inside and outside) complete, Nos. 234067, 234284, 234285 and two 200159F                             |
| 234039  | 11798 | Needle Bar and Holder, in gauges from $\frac{3}{32}$ to $\frac{5}{16}$ in., in steps of $\frac{1}{32}$ in., with two 200141F |
| 202550  | 14049 | Needle Bar Bushing   |
| 200352c | 14052 | " " " Set Screw  |
| 202552  | 14049 | " " Connecting Link  |
| 236073  | 14049 | " " " " O 11 Guard   |
| 200161D | 14050 | Needle Bar Connecting Link Oil Guard Screw   |
| 202333  | 14052 | Needle Bar Connecting Link Stud with 202254  |
| 202254  | —     | Needle Bar Connecting Link Stud Oil Packing (wick)   |

## Parts for Machine No. 52w19

| No.     | Plate | Name   |
|---------|-------|--|
| 200374c | 14050 | Needle Bar Connecting Link Stud Set Screw                              |
| 200383c | 10246 | Needle Bar Connecting Link Stud Set Screw                              |
| *206891 | —     | Needle Bar Connecting Stud   |
| 202329  | —     | " " " " 206891 with 200086c and 202330                                 |
| 202330  | —     | Needle Bar Connecting Stud Oil Packing (wick)                          |
| 200086c | 14052 | Needle Bar Connecting Stud Pinch Screw                                 |
| 202692  | 14049 | Needle Bar Crank with 200335c, 200374c, 200383c, 200428c and 202333    |
| 234287  | —     | Needle Bar Crank 202692 with 202329, 202399, 202400, 202552 and 223701 |
| 203172  | 14052 | Needle Bar Crank Friction Washer                                       |
| 200428c | 14052 | " " " Position Screw   |
| 200335c | 14048 | " " " Set Screw  |
| 200141F | 14052 | " " Set Screw  |
| 244033  | 11797 | Presser Bar (hollow)   |
| 202335  | —     | " " 244033 with 200074F  |
| 207072  | 11798 | " " Bushing  |
| 200352c | 14052 | " " " Set Screw  |
| 234288  | 11797 | " " Extension Hanger   |
| 213047  | 11798 | " " " " Col- lar with 200113F  |
| 200113F | 11796 | Presser Bar Extension Hanger Col- lar Set Screw                        |
| 200057H | 11796 | Presser Bar Extension Hanger Pinch Screw                               |
| 200045E | 11796 | Presser Bar Extension Hanger Screw (2)                                 |
| 202554  | 14052 | Presser Bar Lifter   |
| 200653c | 14052 | " " " Hinge Screw  |
| 234289  | 11798 | " " Lifting Releasing Lever Bracket with 200311E                       |
| 200260D | 14052 | Presser Bar Lifting Releasing Lever Bracket Guide Screw                |
| 206608  | 14052 | Presser Bar Lifting Releasing Lever Bracket Spring (spiral)            |
| 202337  | 14052 | Presser Bar Position Guide   |
| 202338  | 14052 | " " " " Lever with 200086F   |
| 200086F | 14052 | Presser Bar Position Guide Lever Pinch Screw                           |

## Parts for Machine No. 52w19

| No.     | Plate | Name   |
|---------|-------|--|
| 200352c | 14052 | Presser Bar Position Guide Set Screw   |
| 236089  | 14052 | Presser Bar Spring   |
| 234044  | 14052 | " " " Stop Rod   |
| 200492B | 14052 | " " Thumb Screw (pressure regulating)  |
| 200475B | 14053 | Presser Bar Thumb Screw Thumb Set Screw  |
| 202355  | 14053 | Presser Bar Thumb Screw Thumb Set Screw Packing (brass)  |
| 229292  | 15657 | Presser Foot with 229291, 229298 and four 200172H, adjustable from $\frac{3}{8}$ to $\frac{7}{8}$ inch |
| 229297  | 15657 | Presser Foot with 229291, 229298 and four 200172H, adjustable from $\frac{1}{4}$ to $\frac{3}{8}$ inch |
| 229304  | 15657 | Presser Foot with 229291, 229298 and four 200172H, adjustable from $\frac{1}{8}$ to $\frac{1}{2}$ inch |
| 229291  | 15657 | Presser Foot Needle Guide (left)   |
| 229298  | 15657 | " " " " (right)  |
| 200172H | 15657 | " " " " Screw  |
| 200074F | 15658 | " " Screw  |
| 213045  | 11797 | " " Spring   |
| 213048  | 11798 | " " " Bracket with 213722  |
| 200262H | 14050 | Presser Foot Spring Bracket Screw  |
| 213722  | 15658 | " " " Pin  |
| 200311E | 11798 | " " " Position Screw   |
| 200456D | 15658 | " " " Thumb Screw  |
| 201598c | 15658 | " " " " " Wing Nut   |
| 223701  | 11798 | Take-up Lever  |
| 202399  | 14053 | " " Driving Stud with 202277   |
| 202277  | —     | Take-up Lever Driving Stud Oil Packing (wick)  |
| 202400  | 14053 | Take-up Lever Hinge Stud with 202423   |
| 202423  | —     | Take-up Lever Hinge Stud Oil Packing (wick)  |
| 200383c | 10246 | Take-up Lever Hinge Stud Set Screw   |
| 202401  | —     | Take-up Lever Oiling Felt  |
| 200132E | 14053 | " " " " Screw  |
| 234086  | 14053 | Tension Bracket with two each 200397H, 201224B and 236060  |

## Parts for Machine No. 52w19

| No.     | Plate | Name   |
|---------|-------|--|
| 200159F | 14050 | Tension Bracket Screw  |
| 234047  | 13309 | " " " Socket   |
| 200368H | 13309 | " " " " Set Screw  |
| 236098  | 14053 | Tension Bracket Thread Guide (double)  |
| 200174H | 14053 | Tension Bracket Thread Guide Screw   |
| 234087  | —     | Tension Bracket complete, Nos. 200174H, 200978H, 201199E, 223703, 223706, 234086, 236098, 237174, two each 13710, 200309E, 204059, 204271, 223704, three 201572B and four 244048 |
| 244048  | 13309 | Tension Disc   |
| 236060  | 13309 | " " Position Pin   |
| 223703  | 13309 | " Release Lever  |
| 235072  | 14053 | " " " Rod  |
| 200309E | 13309 | " " " Screw  |
| 223704  | 13309 | " " Plunger  |
| 204271  | 13309 | " " Washer   |
| 13710   | 14053 | " Spring   |
| 201224H | 13309 | " Stud   |
| 201572B | 10881 | " Thumb Nut  |
| 223706  | 13309 | Thread Controller Disc   |
| 200978H | 13309 | " " " Screw  |
| 237174  | 14053 | " " Spring   |
| 242117  | 13309 | " " " Stop   |
| 200132E | 14053 | " " " " Screw  |
| 201199E | 13309 | " " Stud with 204925   |
| 200061c | 14053 | " " " Set Screw  |
| 201572B | 10881 | " " " Thumb Nut  |
| 204925  | 13309 | " " " Washer   |
| 202414  | 13309 | " Guide  |
| 202417  | 13309 | " "  |
| 203313  | 13309 | " "  |
| 200355H | 14053 | " " Set Screw  |
| 200397H | 13309 | " " " "  |
| 241755  | —     | " Lubricator Oil Pad (felt)  |
| 241756  | 14053 | " " " " Holder   |
| 241757  | 14053 | " " " " Retainer   |
| 241758  | 14053 | " " " Reservoir  |
| 241759  | —     | " " " Wick   |
| 350280F | 14053 | " " Screw  |
| 214838  | 14053 | " " Washer   |
| 241760  | —     | Thread Lubricator complete, Nos. 214838, 241755 to 241759 and 350280F  |

## Parts for Machine No. 52w19

| No.     | Plate | Name   |
|---------|-------|--|
| 202091  | 13309 | Thread Retainer Sleeve   |
| 202092  | 13309 | " " Spring   |
| 204058  | 13309 | " " Stud   |
| 200397H | 13309 | " " " Set Screw  |
| 204059  | 13309 | Thread Retainer complete, Nos. 202091, 202092 and 204058   |
| 234290  | 11799 | Throat Plate, 50 needle hole, for needle sizes 14 and 15, in gauges $\frac{3}{32}$ and $\frac{1}{8}$ in., grooved on top for staying |
| 200577H | 10245 | Throat Plate Screw (2)   |
| 230356  | 11797 | Work Plate (adjustable)  |
| 230852  | ---   | " " 230356 with 230357, 230358 and four 200169B  |
| 230357  | 11797 | Work Plate Guide (left)  |
| 230358  | 11797 | " " " (right)  |
| 200169B | 11798 | " " " Adjusting Screw  |
| 200169B | 11798 | " " " Screw  |
| 200158B | 11798 | " " Screw (2)  |

## ACCESSORIES

| No.     | Plate | Name   |
|---------|-------|--|
| 203470  | 14048 | Bobbin (10)  |
| *225482 | ---   | " Case Screw Driver Blade  |
| *225483 | ---   | " " " " Handle   |
| 225497  | 12345 | Bobbin Case Screw Driver complete, Nos. 225482 and 225483                |
| 128 x 4 | ---   | Needles, four each, sizes 11, 12 and 14                                  |
| 228213  | ---   | Drip Pan (long) with four 1 in. wire nails                               |
| 41400   | 12345 | Machine Rest Pin (wood)  |
| 120342  | 12345 | Oiler (copper plated) with 120343  |
| 120343  | 12345 | " Spout, $3\frac{1}{2}$ in. long   |
| *225484 | ---   | Screw Driver Blade   |
| *225485 | ---   | " " Handle   |
| 225498  | 12345 | Screw Driver complete ( $7\frac{1}{4}$ in. long), Nos. 225484 and 225485 |
| 225554  | 12345 | Wrench (steel)   |

## BOBBIN WINDER

## Swing Automatic, Right Hand

|         |       |                              |
|---------|-------|------------------------------|
| 225453  | 10884 | Frame with 202277 and 225438 |
| 225454  | 10884 | " Hinge Pin                  |
| 202277  | ---   | " Oil Packing (wick)         |
| 225438  | 10884 | " " Well Cap                 |
| 225455  | 10884 | " Spring                     |
| 225456  | 10884 | " " Plunger                  |
| 202473  | 10885 | Pulley with 200380c          |
| 200380c | 14053 | " Set Screw                  |
| 225381  | 10884 | Spindle                      |
| 225444  | 10884 | Stop Latch                   |
| 200056E | 10884 | " " Screw                    |
| 225458  | 10884 | " " Thumb Lever              |
| 225459  | 10884 | " " " " Hinge Stud           |
| 225459  | 10884 | " " " " Joint Stud           |
| 202478  | 10884 | " " Trip Lever               |
| 200299H | 10884 | " " " " Hinge Screw          |
| 225461  | 10881 | Tension Bracket with 201499B |
| 200082D | 10881 | " " Screw                    |
| 228026  | 10884 | " " " Washer                 |
| 2102    | 10881 | " Disc                       |
| 202407  | 10881 | " Spring                     |
| 201499B | 10881 | " Stud                       |
| 201572B | 10881 | " " Thumb Nut                |

## Accessories

| No.    | Plate | Name  |
|--------|-------|---|
| 225462 | 10881 | Bobbin Winder Tension Bracket complete, Nos. 201572b, 202407, 225461 and two 2102   |
| 225433 | 10885 | Bobbin Winder and Tension Bracket Base  |
| 225382 | 10885 | Universal Bobbin Winder complete, Nos. 200056e, 200082b, 200299m, 202473, 202478, 225381, 225433, 225444, 225453 to 225456, 225458, 225462, 228026, two each 225459 and wood screws $\frac{3}{4}$ in., No. 12. R.H.B. |

## FOOT LIFTER

|        |       |  |
|--------|-------|--|
| 227952 | 11156 | Foot Lifter Lever (left or right) with 227954                                      |
| 227678 | 11156 | Foot Lifter Lever Chain, 48 in. long, with 202784                                  |
| 227954 | 15658 | Foot Lifter Lever Chain Hook (lower)   |
| 202784 | 15658 | Foot Lifter Lever Chain Hook (upper)   |
| 225016 | 15658 | Foot Lifter Lever Hinge Pin . . . .  |
| 227953 | 11156 | " " " Stand with two wood screws 1 in., No. 12                                     |
| 227955 | 11156 | Foot Lifter Lever (left or right) complete, Nos. 225016, 227678, 227952 and 227953 |

(Other Foot Lifter parts are listed with parts of machine head.)

## THREAD UNWINDER

|         |       |   |
|---------|-------|---|
| 225259  | 15815 | Spool Rest (for one spool) (flat) with 201018c  |
| 225257  | 15815 | Spool Rest (for two spools) (flat) with 201018c |
| 150203  | —     | Spool Rest Cushion (felt)                       |
| 225388  | 15815 | " " Rod   |
| 200383c | 10246 | " " " Set Screw                                 |
| 201018c | 15658 | " " Set Screw                                   |
| 202490  | 15815 | " Stand with 200383c                            |
| 225391  | 15815 | Thread Guide                                    |
| 201696j | 15658 | " " Lock Nut                                    |
| 225326  | 15658 | " " Position Cup                                |

## Accessories

| No.    | Plate      | Name   |
|--------|------------|--|
| 225324 | 15815      | Thread Guide Rod with 208E and 225322  |
|        | 208E 15658 | Thread Guide Rod Screw   |
| 225322 | 15658      | " " " Washer   |
| 259143 | 15815      | Thread Unwinder (for three spools) complete, Nos. 201696j, 202490, 225257, 225259, 225324, 225326, 225388, three each 150203, 225391 and wood screws $\frac{3}{4}$ in., No. 12 |

## MISCELLANEOUS PARTS

## Used in conjunction with Thread Unwinder

|        |       |                           |
|--------|-------|---------------------------|
| 60913  | 15815 | Spool Weight with 60914   |
| 60914  | —     | " " Center Pin            |
| 225377 | 15815 | " Wire (for small spools) |
| 27739  | 11797 | Thread Cone (wood)        |

PLATE 10245—FULL SIZE

200010



200545



200462



200570



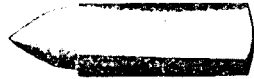
200577



202135



202305



202276



200205



200038



200139



200196



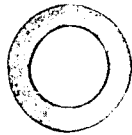
201518



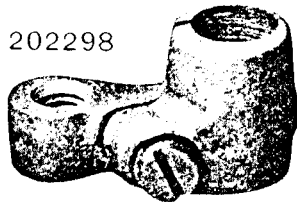
201014



202005



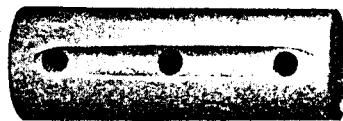
202298



201525



202321



200346



PLATE 10246—FULL SIZE

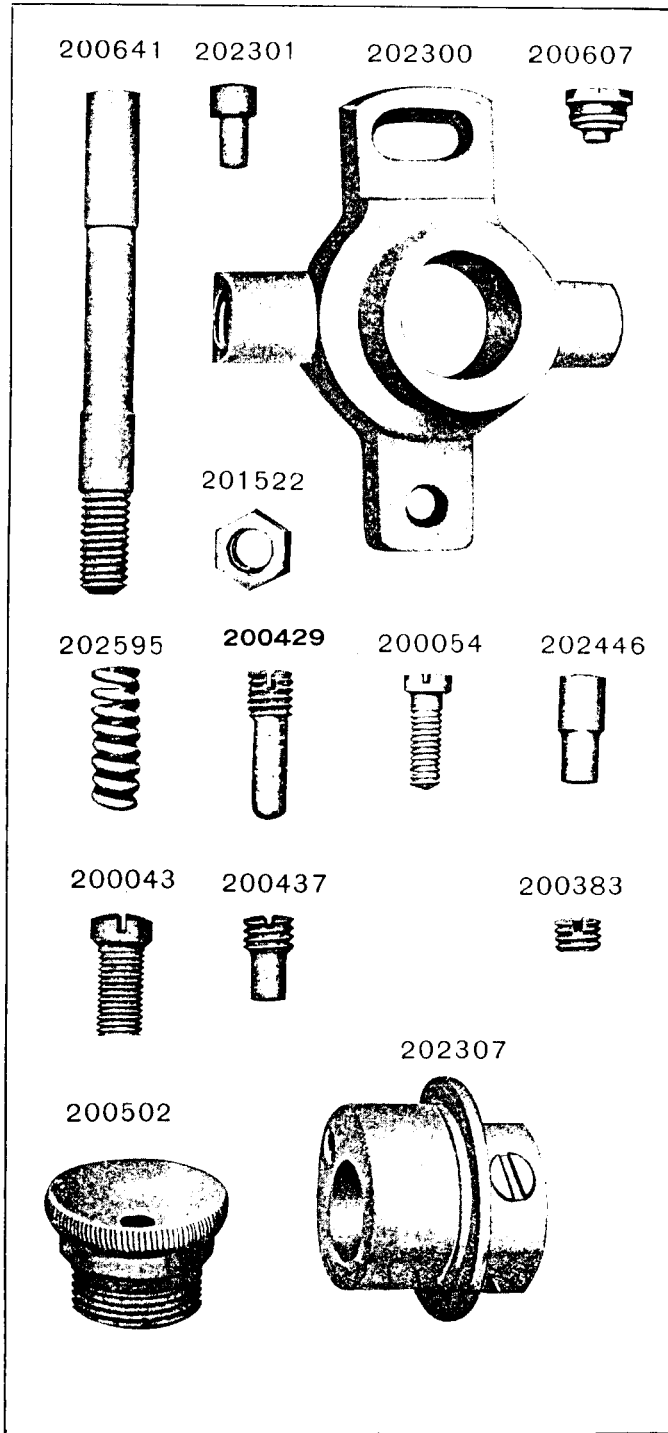


PLATE 10881—FULL SIZE

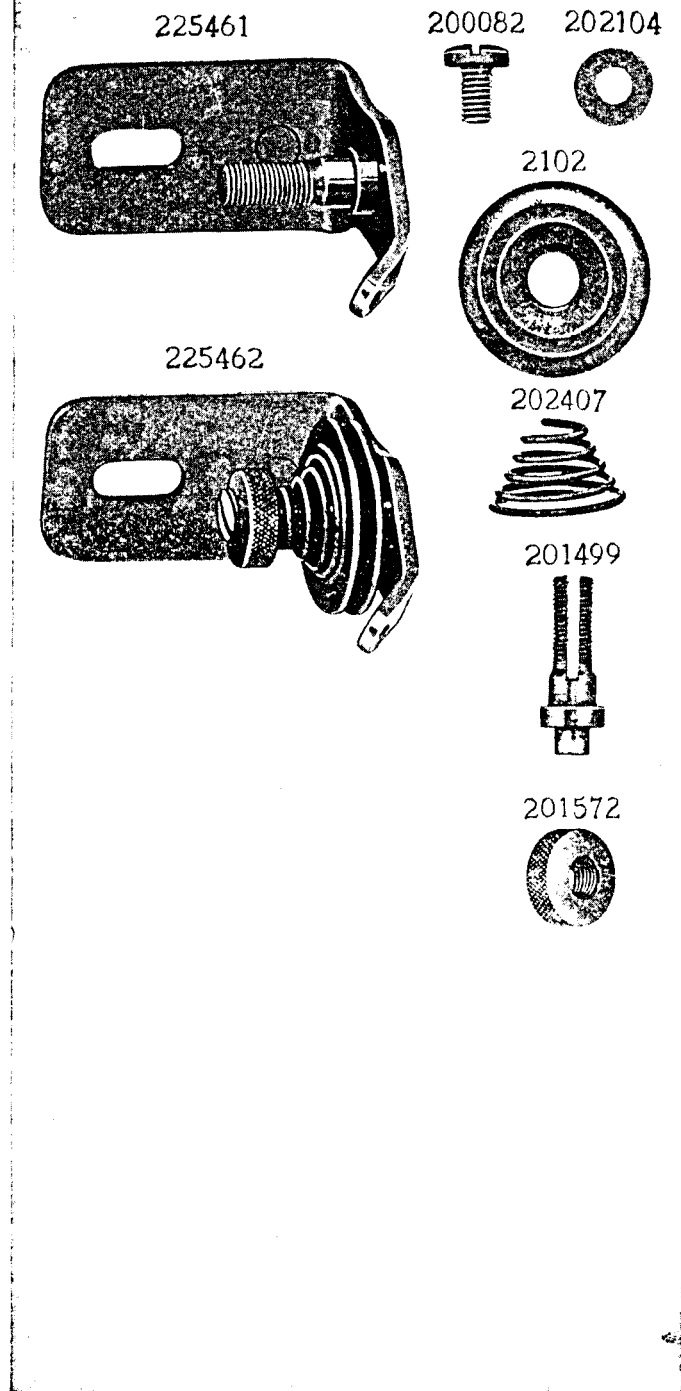




PLATE 10884—FULL SIZE

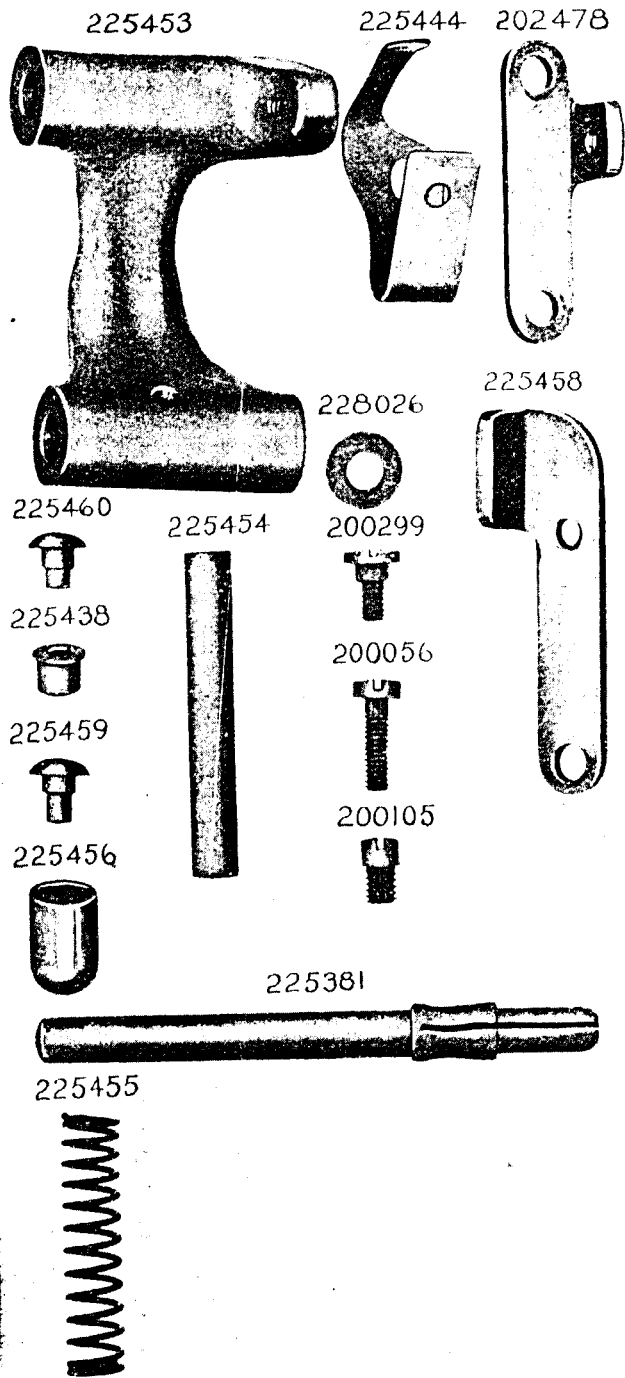


PLATE 10885—ONE-FOURTH SIZE

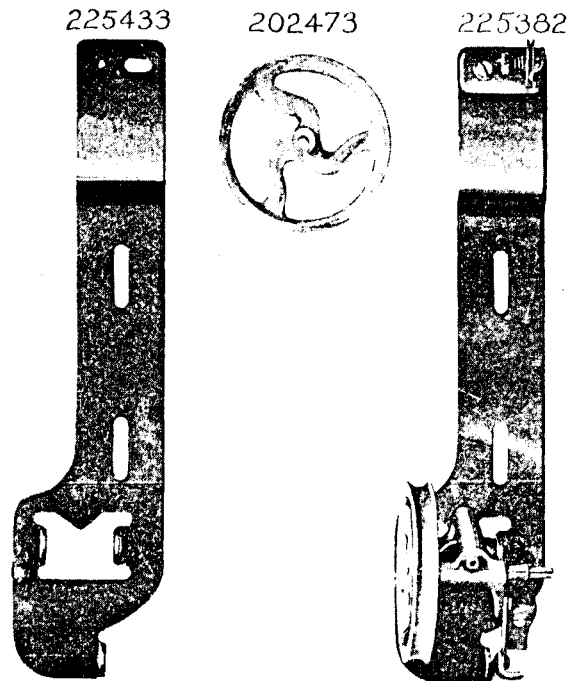


PLATE 11156 - ONE-FOURTH SIZE

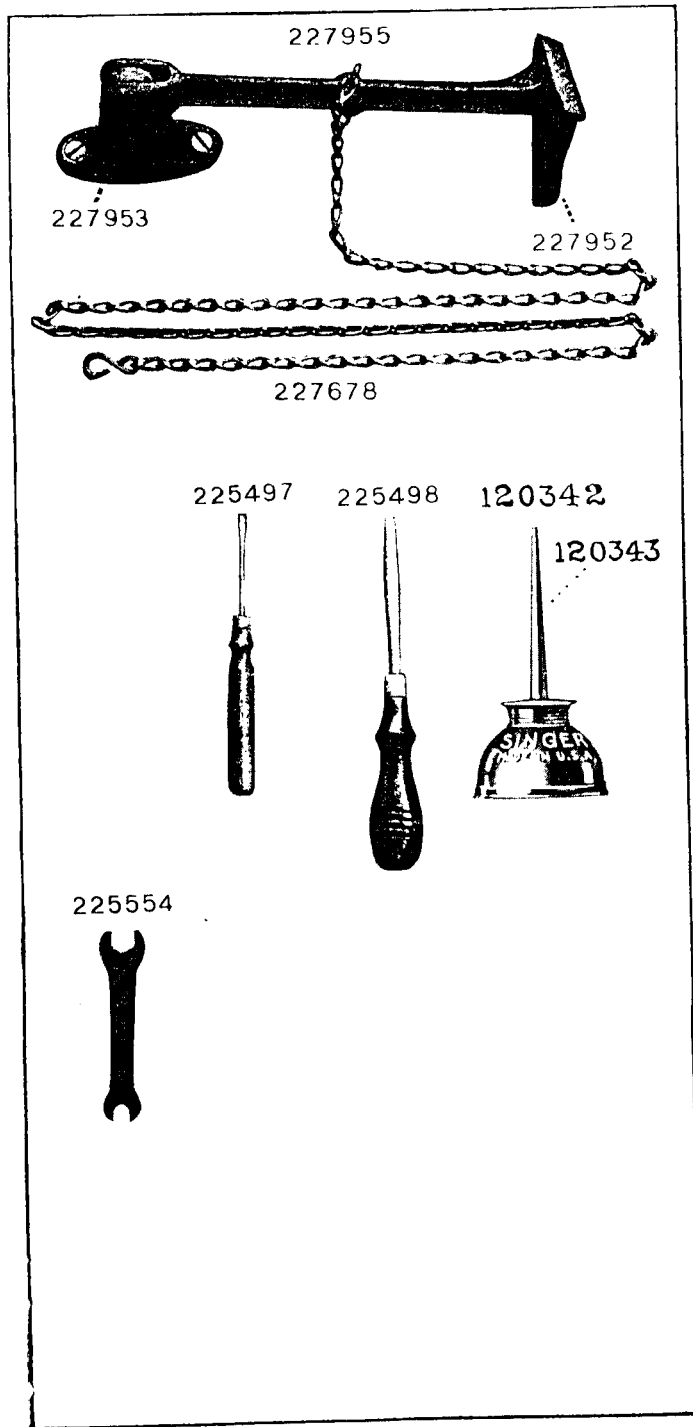


PLATE 11796 - FULL SIZE

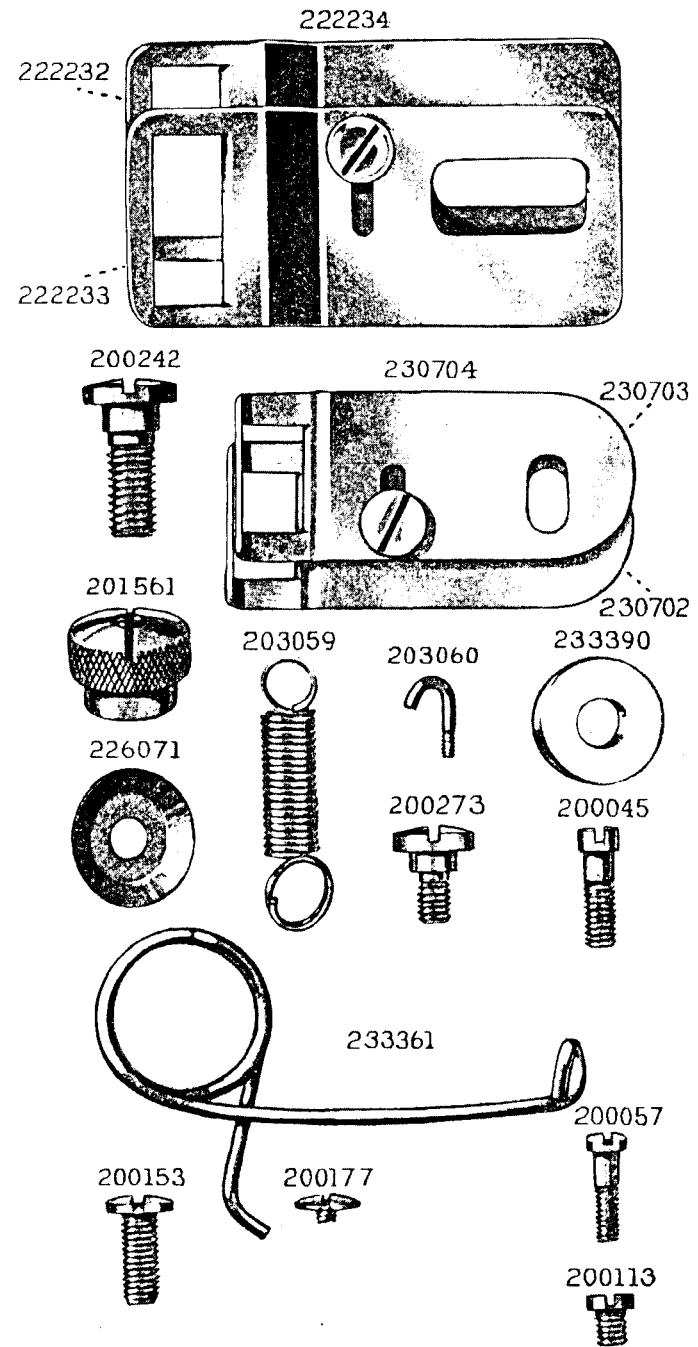


PLATE 11797—ONE-HALF SIZE

234282 241550 213045 230356 244033

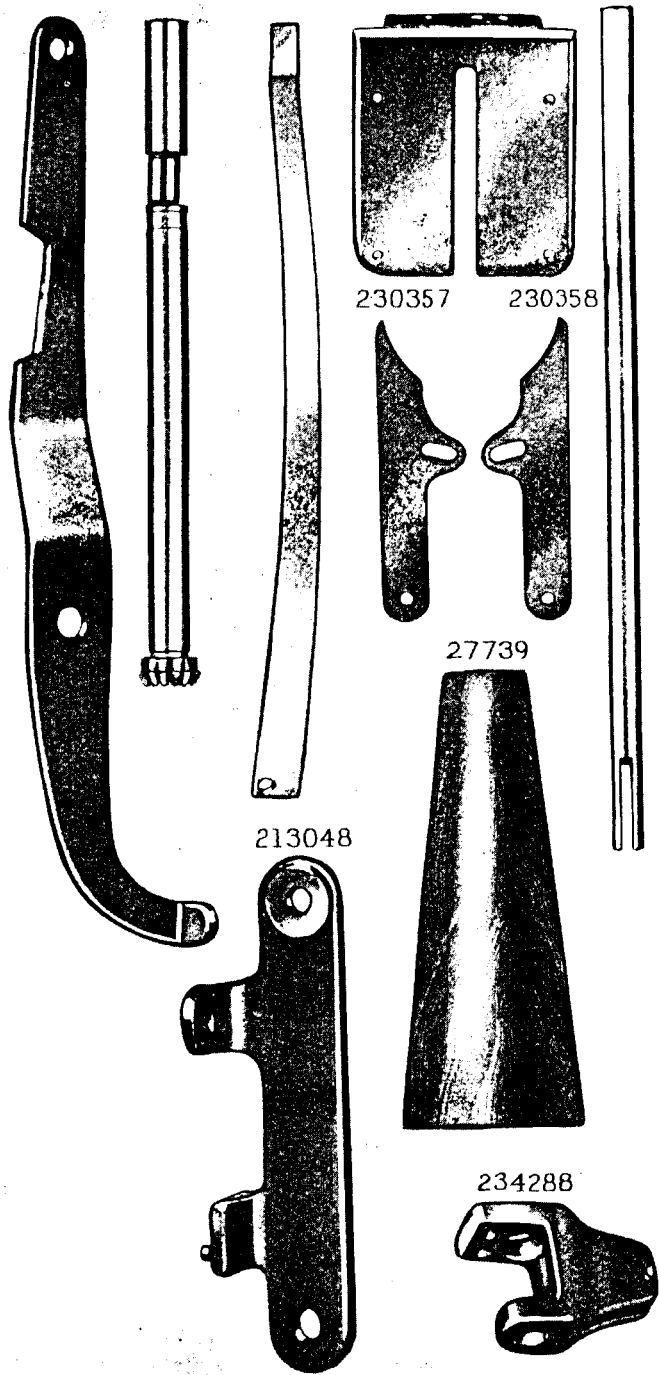


PLATE 11798—FULL SIZE

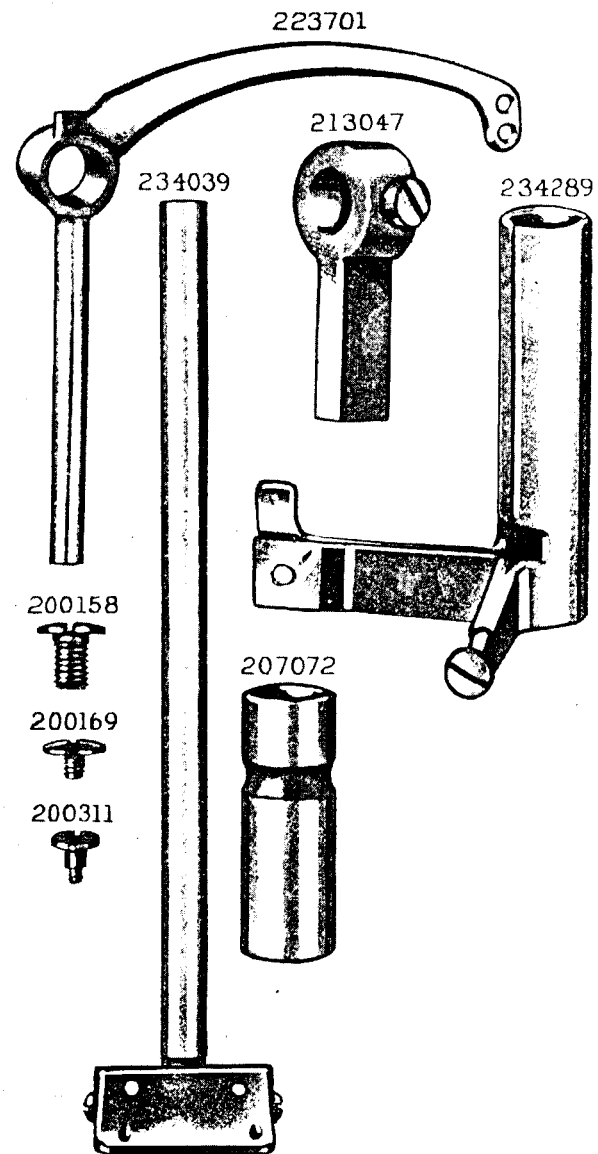


PLATE 11799—FULL SIZE

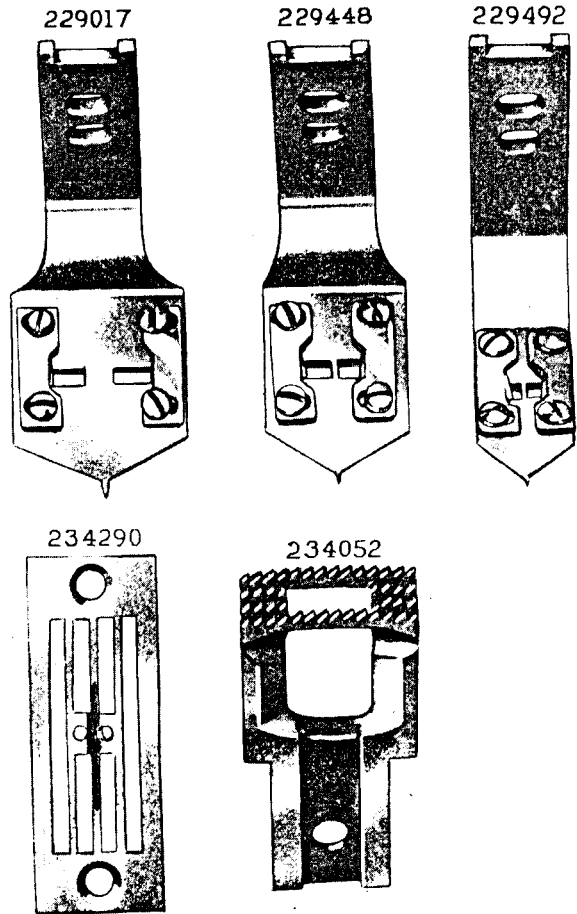


PLATE 12345—ONE-HALF SIZE

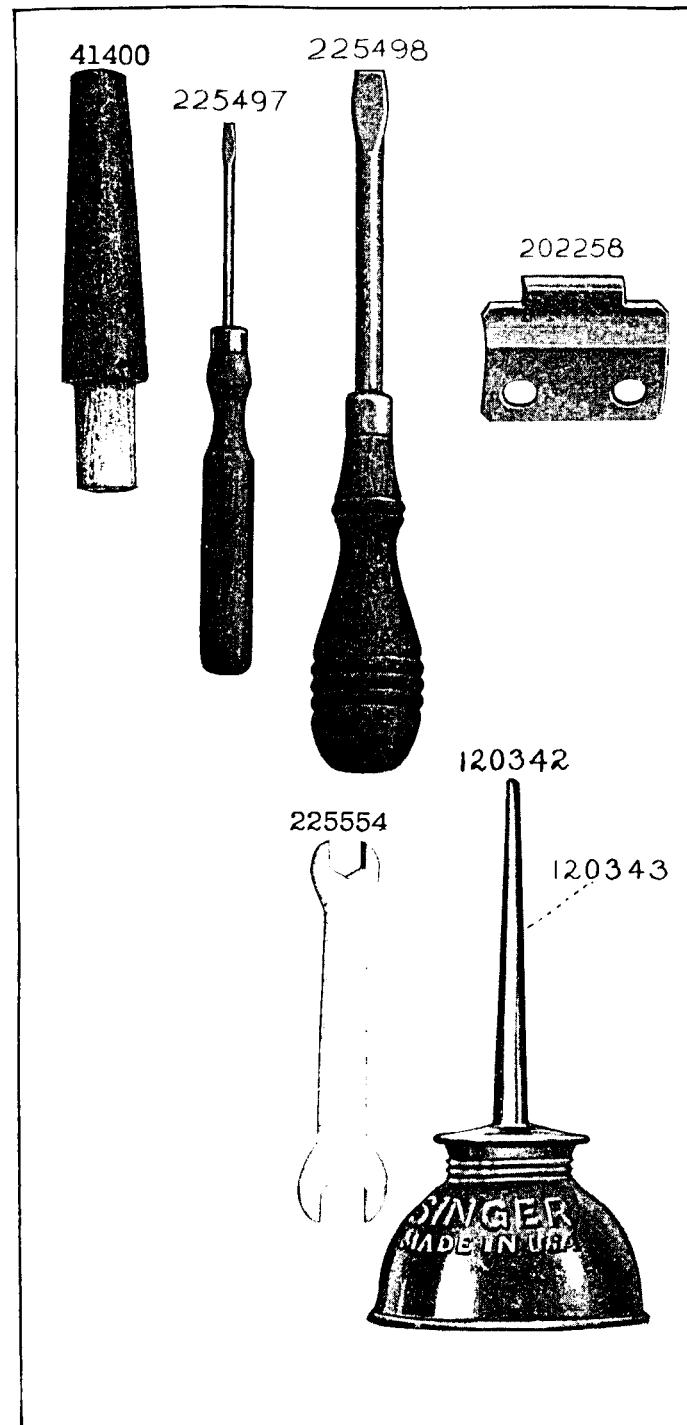


PLATE 13301-ONE-FOURTH SIZE

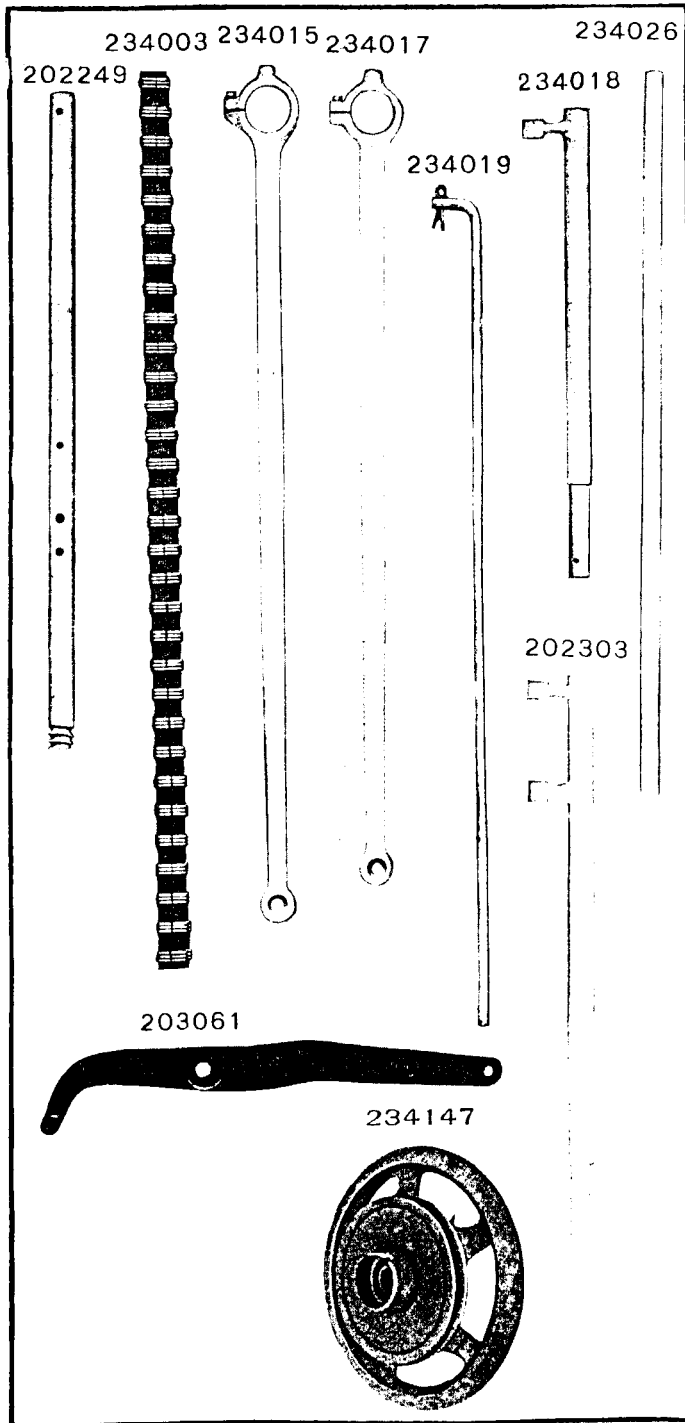


PLATE 13306-ONE-HALF SIZE

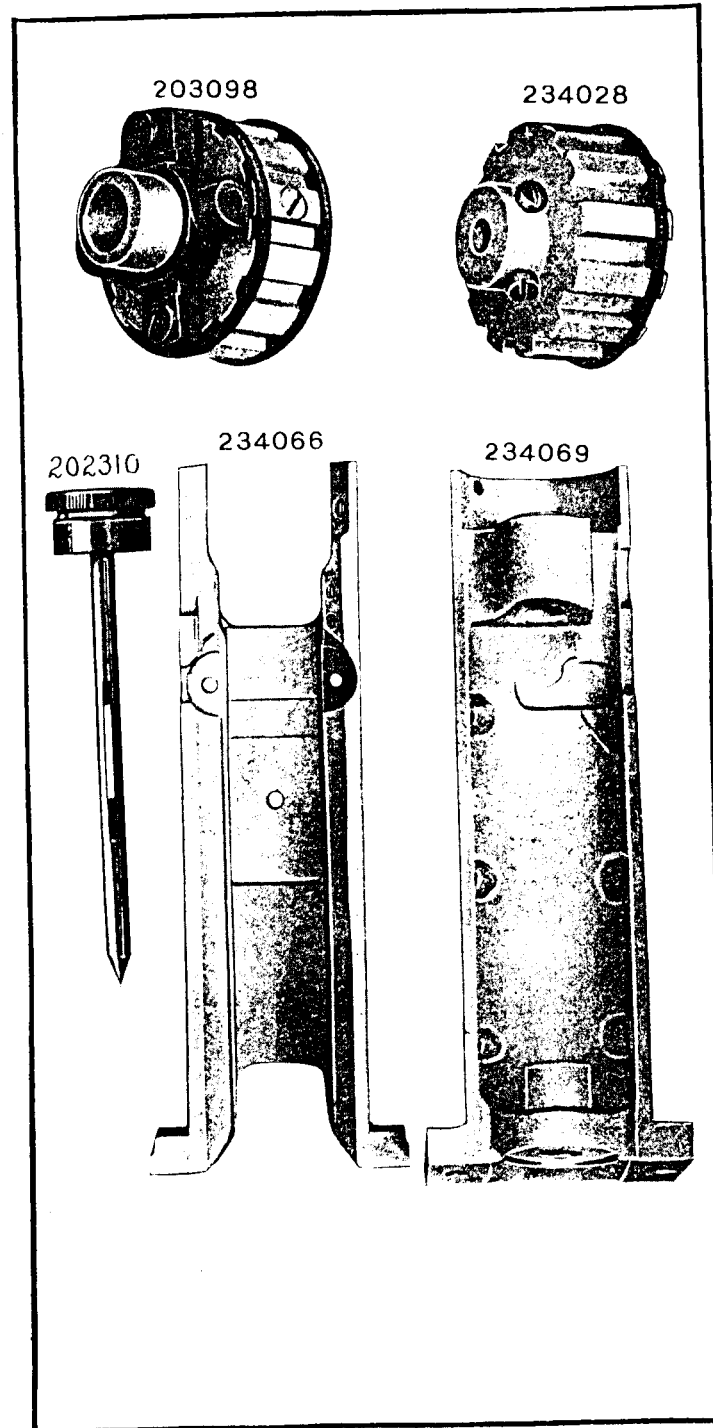


PLATE 13309-FULL SIZE

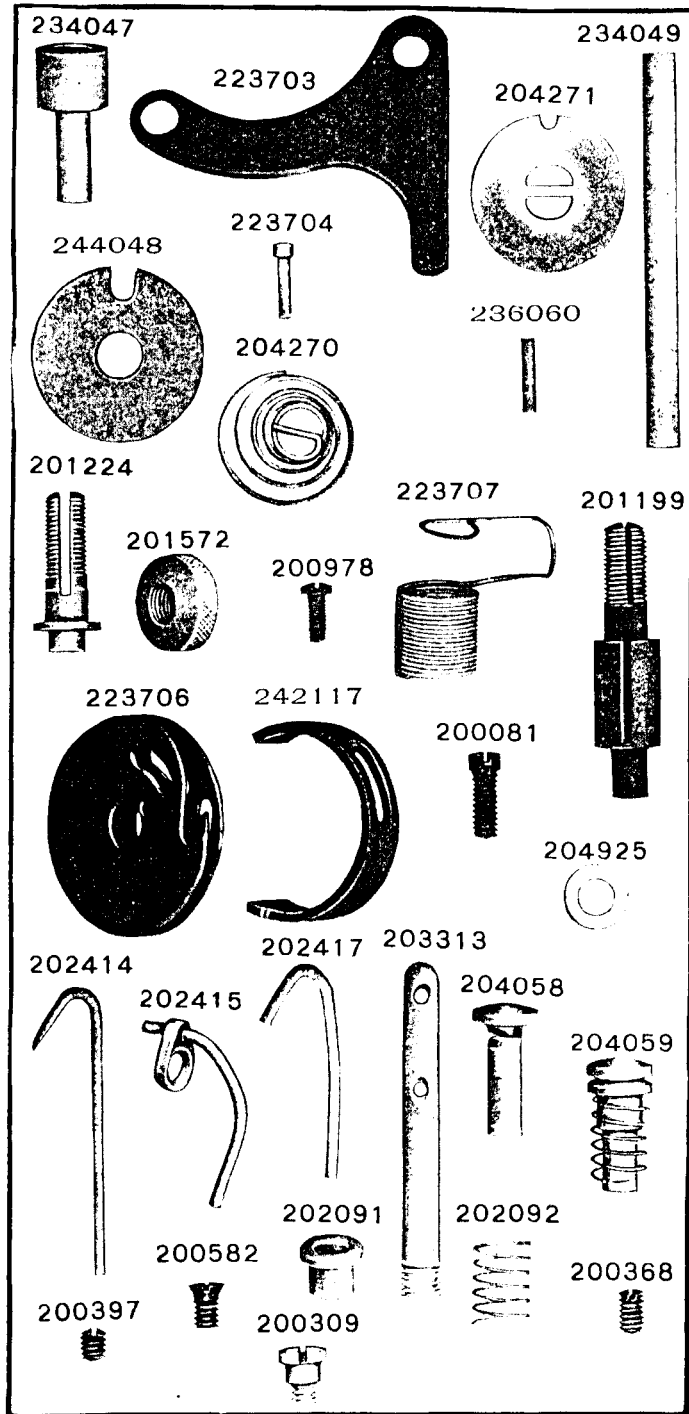


PLATE 14048-FULL SIZE

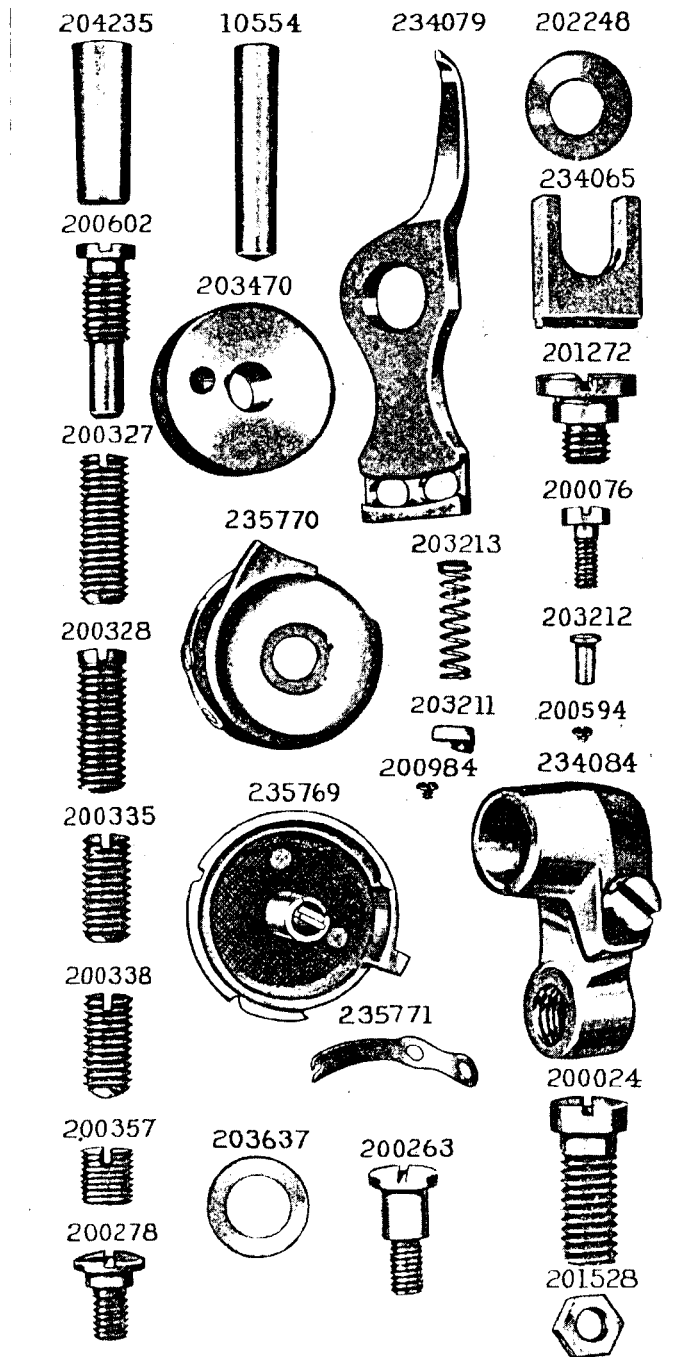


PLATE 14049—ONE-HALF SIZE

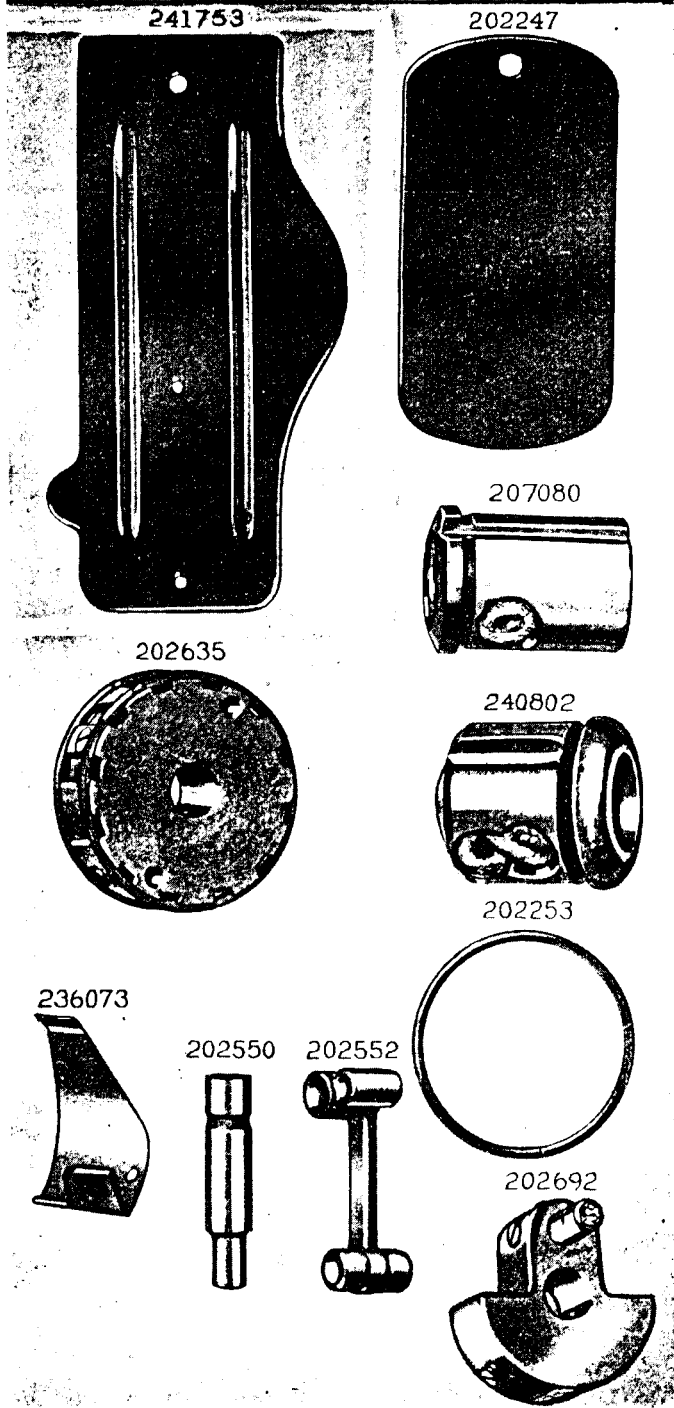


PLATE 14050—FULL SIZE

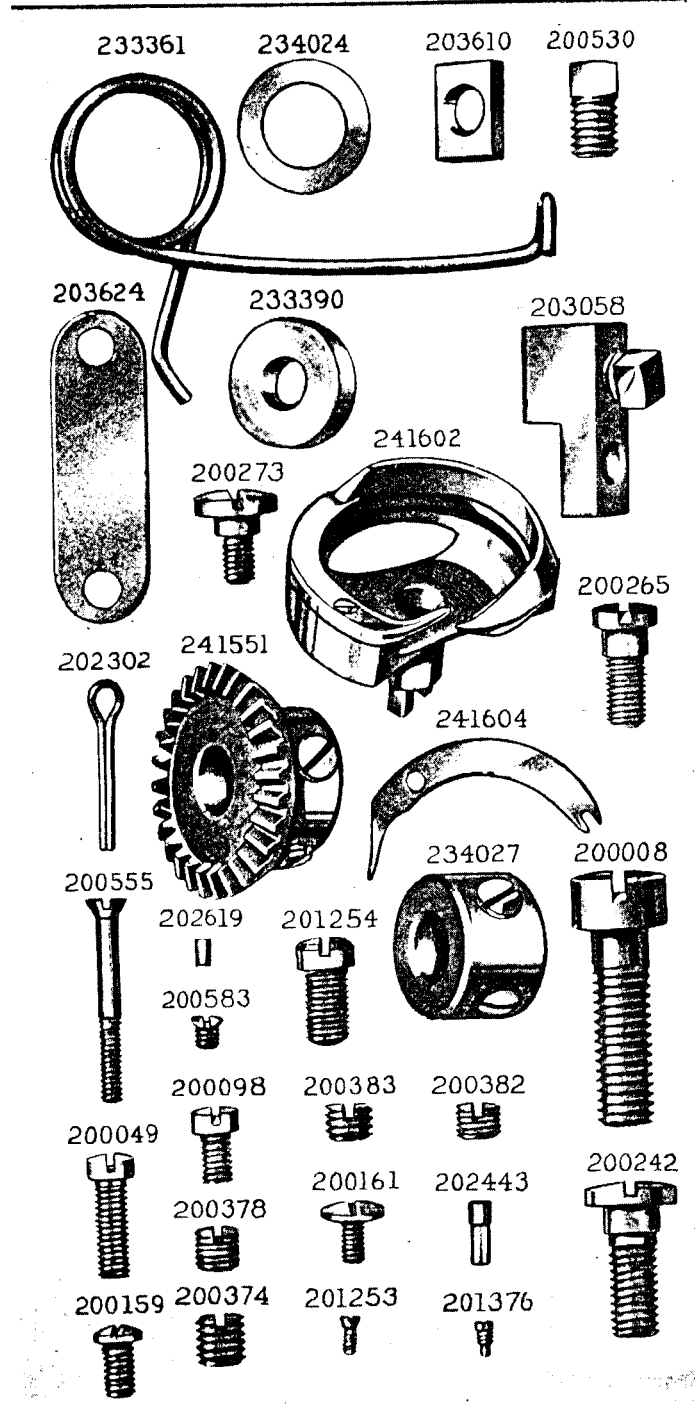
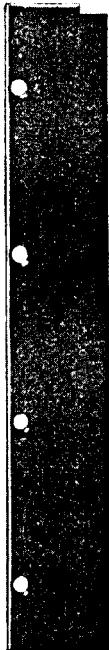
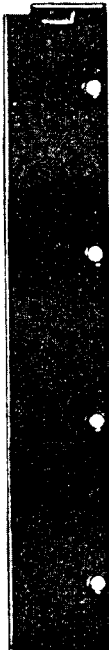


PLATE 14051—ONE-HALF SIZE

203630



234083



234074



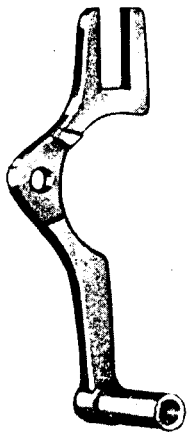
234073



234012



234010

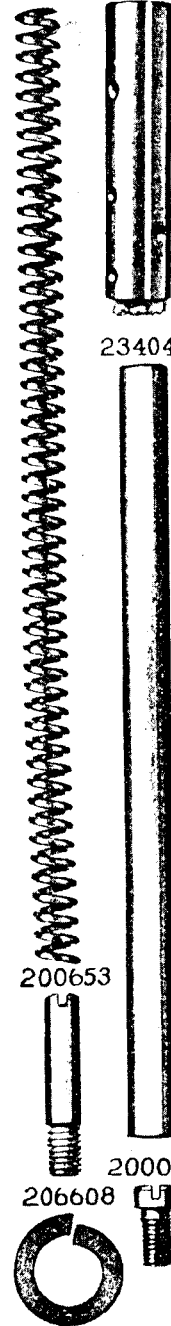


221215



PLATE 14052—FULL SIZE

236089 202333



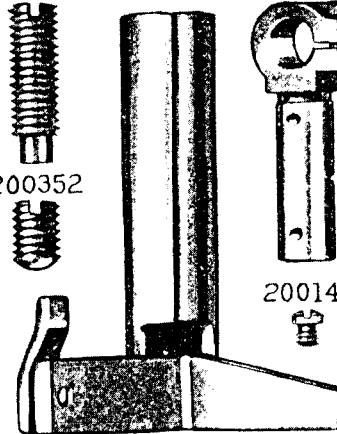
200428



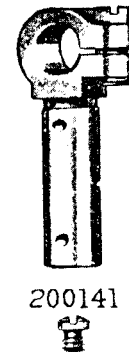
200352



244006



202329



200141



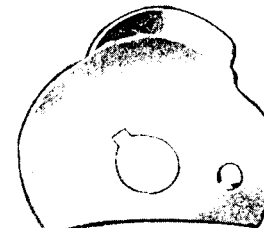
234044



202337



221222



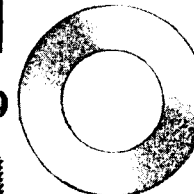
200260



202554



203172



200492



202338



200653



200086



206608





PLATE 14053—FULL SIZE

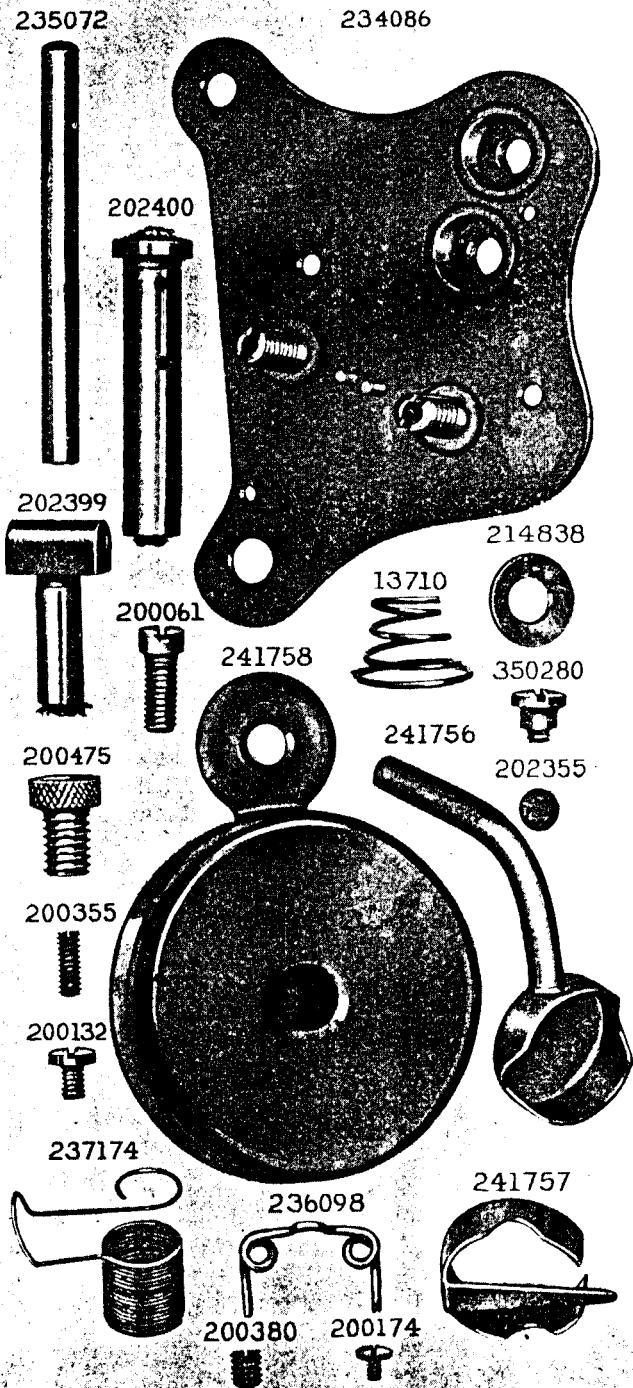


PLATE 15657—FULL SIZE

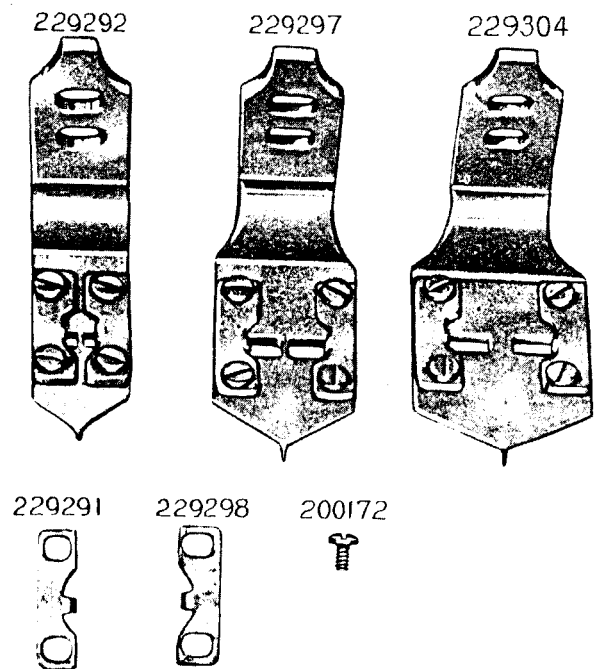


PLATE 15658—FULL SIZE

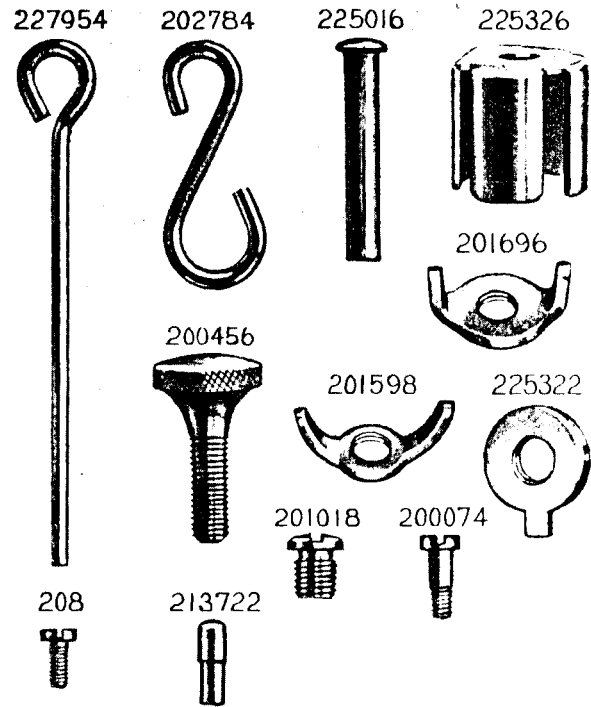


PLATE 15815—ONE-SIXTH SIZE

