

MACHINE PARTS CHART for

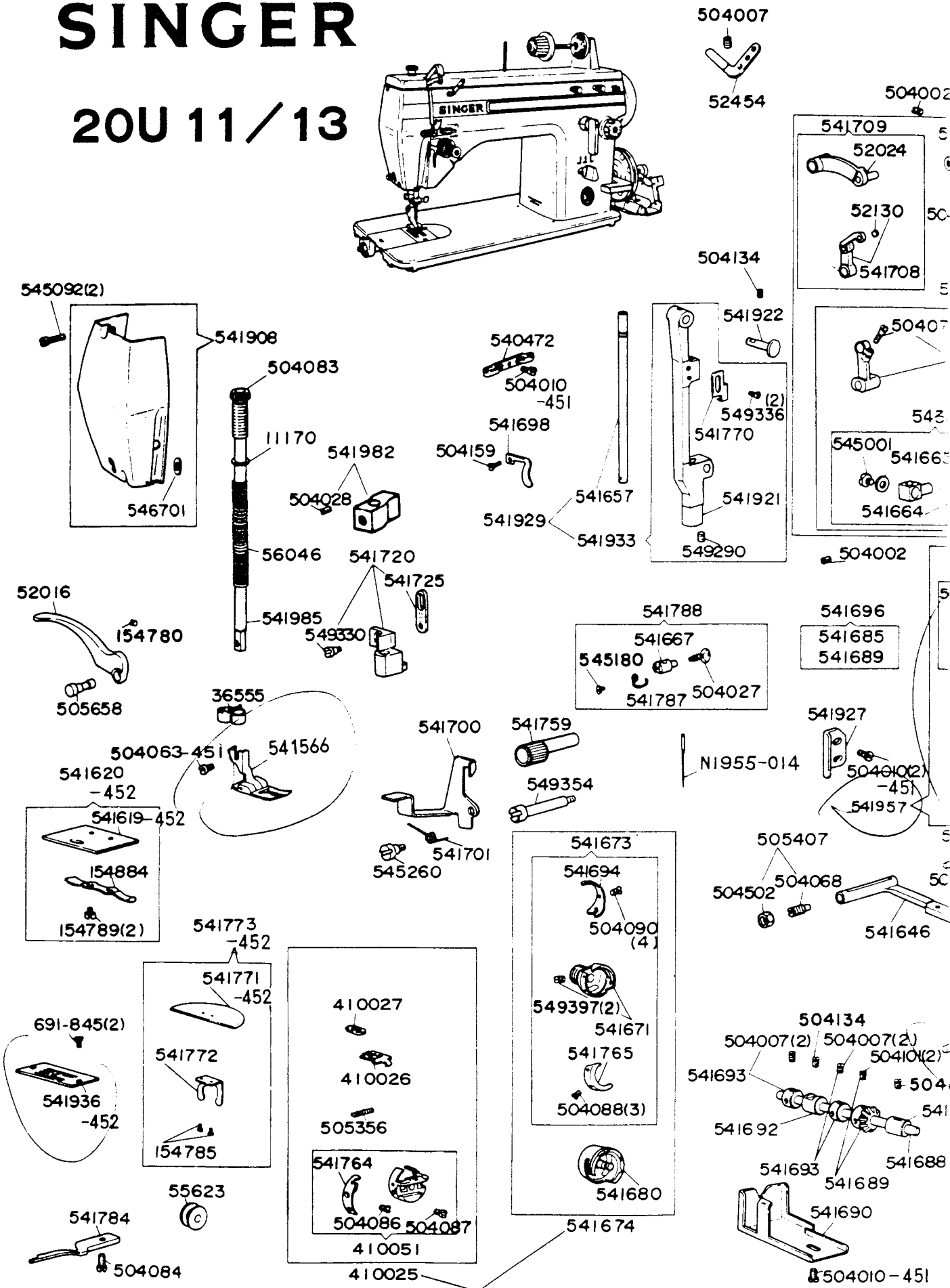
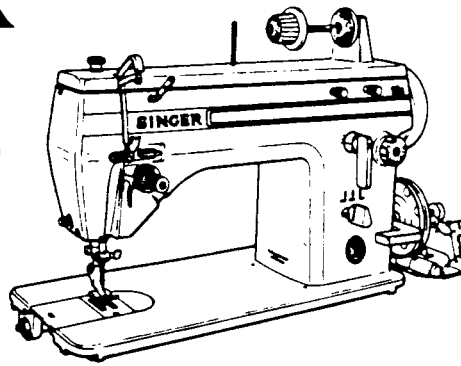
SINGER*

20U 11 / 13

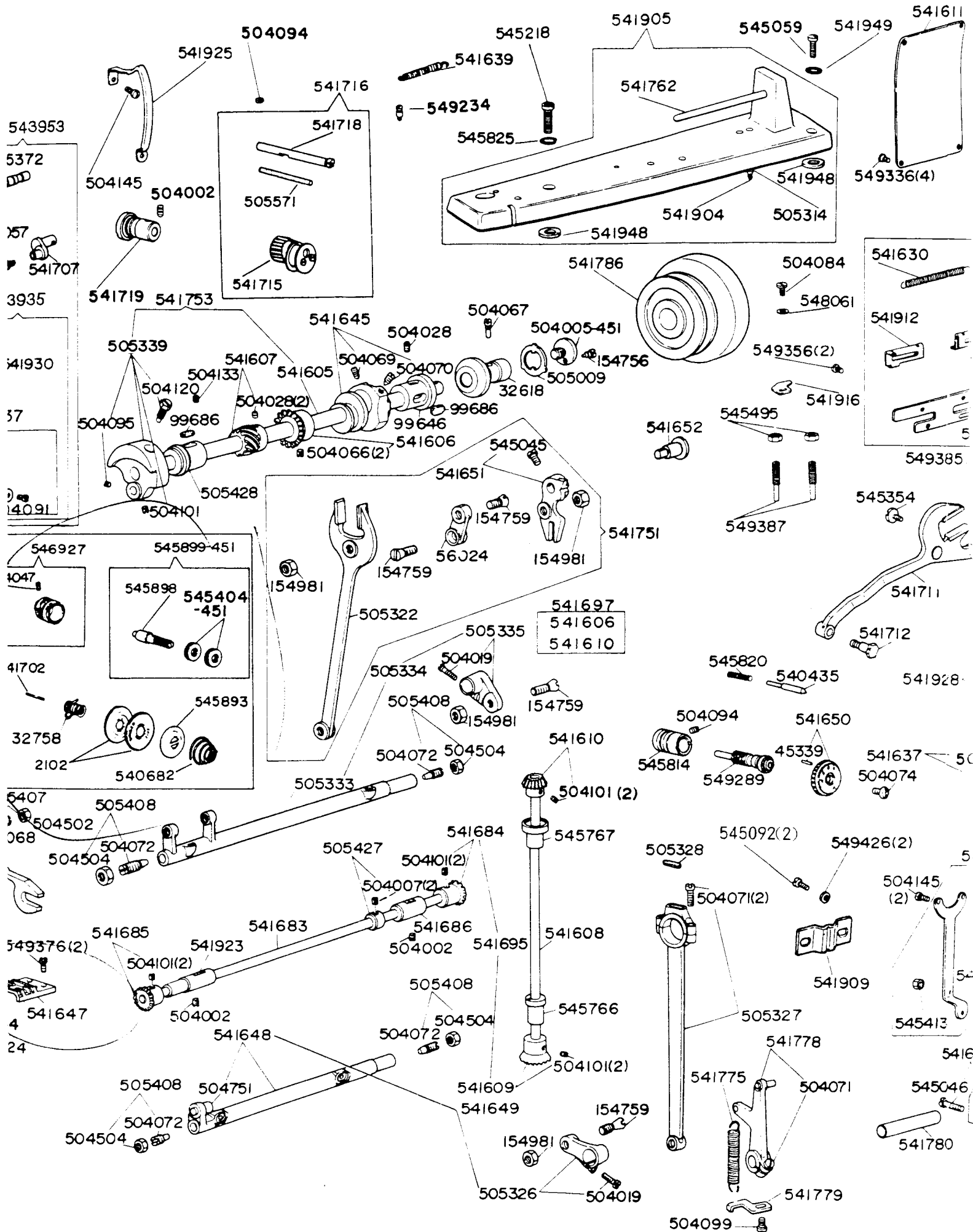
* A Trademark of THE SINGER COMPANY
Copyright © 1973 THE SINGER COMPANY
All Rights Reserved Throughout the World

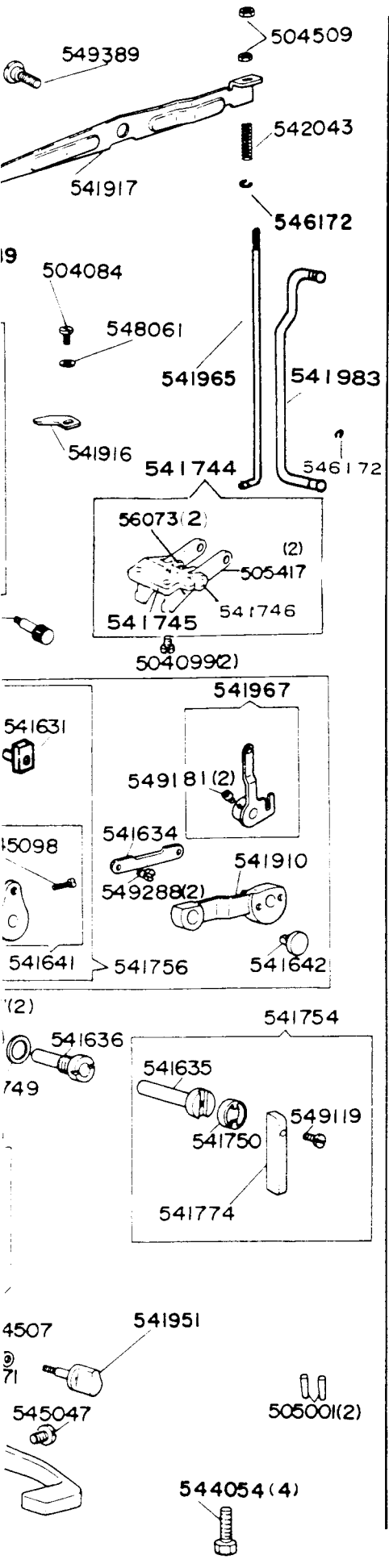
SINGER

20U 11/13

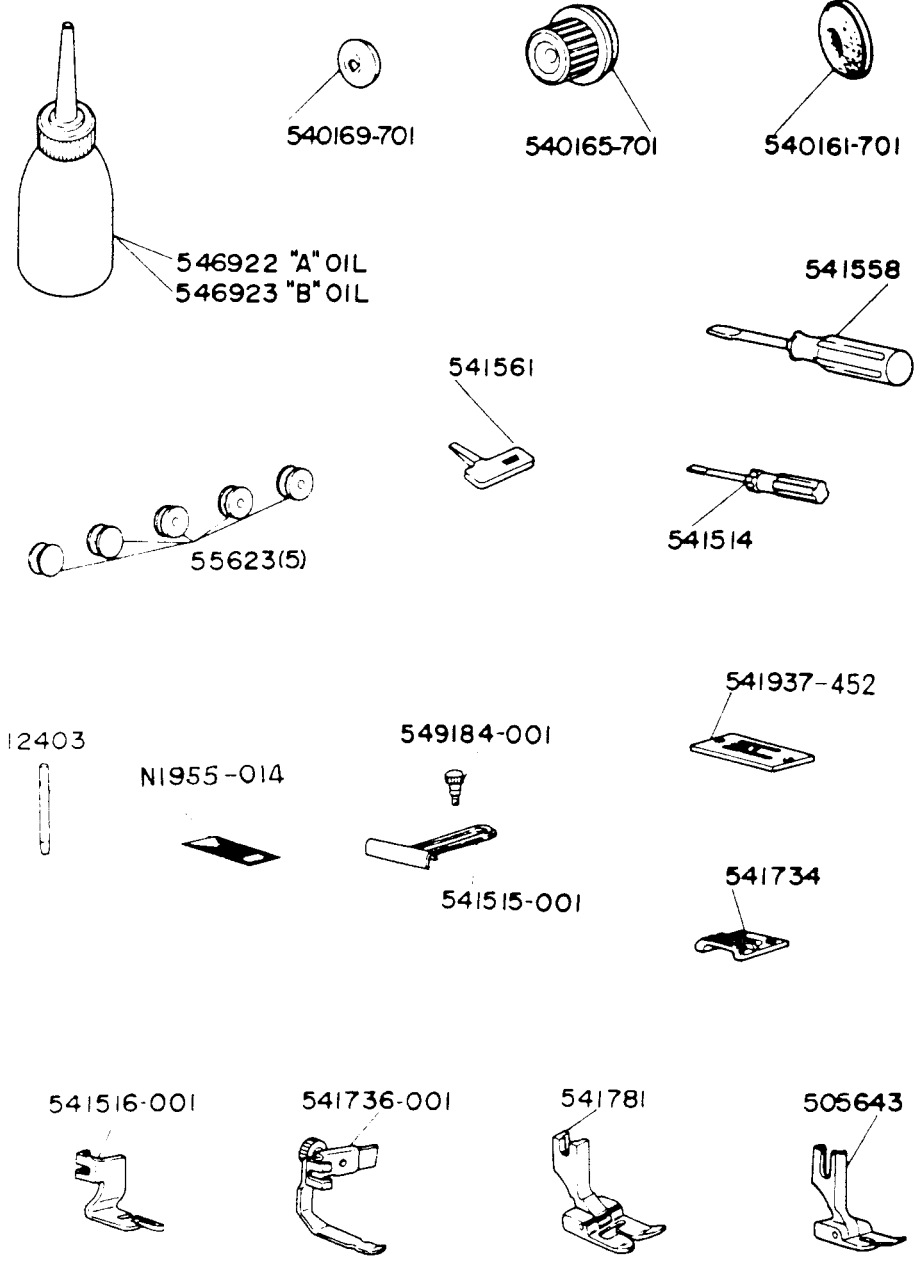


Part 413489

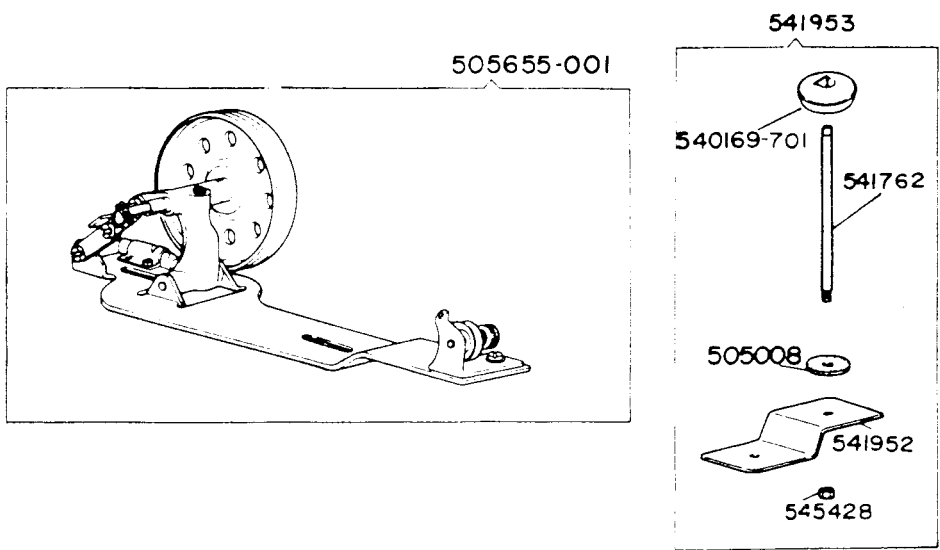




ACCESSORIES AND ATTACHMENTS



UNIVERSAL BOBBIN WINDER



NUMERICAL LIST OF PARTS FOR 20U11/13 M.L.s

<u>Part No.</u>	<u>Description</u>	<u>Part No.</u>	<u>Description</u>
691-845	Throat Plate Screw (2)	504087 (806)	Rotating Hook Bobbin Case Tension Spring Screw
2102	Tension Disc (2)	504088 (803)	Rotating Hook Section Screw (3)
11170	Presser Bar Spring Washer	504090 (803)	Rotating Hook Thread Guard Screw (4)
32618	Clamp Stop Motion Clamp Flanged Bushing	504091 (810)	Needle Bar Set Screw
32758	Thread Take-up Spring	504094 (833)	Feed Regulating Stud Bushing Set Screw
36555	Thread Cutter and Holder	504094 (833)	Zig-Zag Triangular Cam Shaft Set Screw
45339	Feed Regulating Stud Head Stop Pin	504095 (850)	Thread Take-up Crank Position Screw
52016	Presser Bar Lifter	504099 (809)	Bell Crank Bracket Screw (2)
52024	Thread Take-up Lever Link	504099 (809)	Feed Reverse Lever Return Spring Bracket Screw
52130	Thread Take-up Lever Thread Eyelet Bushing	504101 (850)	Arm Shaft (upright) Bevel Gear (lower) Set Screw (2)
52454	Thread Retainer	504101 (850)	Arm Shaft (upright) Bevel Gear (upper) Set Screw (2)
55623	Rotating Hook Bobbin	504101 (850)	Rotating Hook Drive Shaft Bevel Gear (back) Set Screw (2)
56024	Feed Connecting Link	504101 (850)	Rotating Hook Drive Shaft Bevel Gear (front) Set Screw (2)
56046	Presser Bar Spring	504101 (850)	Rotating Hook Shaft Bevel Gear Set Screw (2)
56073	Bight Amplitude Slide Block Crank Knee Operating Bell Crank Spring (2)	504101 (850)	Thread Take-up Crank Set Screw
99646	Arm Shaft (horizontal) Flanged Bushing (back)	504120 (803)	Needle Bar Crank Position Screw
99686	Arm Shaft (horizontal) Flanged Bushing (back and front) Oil Pad (felt) (2)	504133 (850)	Arm Shaft (horizontal) Flanged Bushing (front) Set Screw
154756 (851)	Clamp Stop Motion Clamp Stop Screw	504134 (850)	Needle Bar Frame Pin Set Screw
154759 (850)	Feed Connecting Link Hinge Screw (2)	504134 (850)	Rotating Hook Shaft Bushing (short) Set Screw
154759 (850)	Feed Forked Connection Hinge Screw	504134 (850)	Rotating Hook Shaft Bushing (long) Set Screw
154759 (850)	Feed Lifting Rock Shaft Crank Connecting Rod Hinge Screw	504145 (809)	Bight and L-C-R Position Lever Set Screw (2)
154780 (819)	Presser Bar Lifter Pin Set Screw	504145 (809)	Thread Take-up Lever Guard Set Screw
154785	Bed Plate Bracket Screw (2)	504159 (819)	Slack Thread Regulator Set Screw
154789 (809)	Bed Slide Spring Screw (2)	504502 (819)	Feed Bar Screw Center Nut (2)
154884	Bed Slide Spring	504504 (819)	Feed Lifting Rock Shaft Screw Center Nut (2)
154981 (819)	Feed Connecting Link Hinge Screw Nut (2)	504504 (819)	Feed Rock Shaft Screw Center Nut (2)
154981 (819)	Feed Forked Connection Hinge Screw Nut	504507 (809)	Bight and L-C-R Position Lever Thumb Stud Nut
154981 (819)	Feed Lifting Rock Shaft Crank Connecting Rod Hinge Screw Nut	504509 (809)	Lifting Lever Connecting Rod Lock Nut (3)
410025	Rotating Hook Bobbin Case Complete, Nos. 410025, 410027, 410051 and 505356	504751	Feed Lifting Rock Shaft Roller and Stud
410026	Rotating Hook Bobbin Case Latch	505001	Arm Dowel Pin (2)
410027	Rotating Hook Bobbin Case Latch Lever	505009	Clamp Stop Motion Clamp Washer
410051	Rotating Hook Bobbin Case with 504086, 504087 and 541754	505314	Arm Top Cover Oil Tube (for Feed Forked Connection)
504002 (850)	Rotating Hook Drive Shaft Bushing (back) Set Screw	505322	Feed Forked Connection
504002 (850)	Rotating Hook Drive Shaft Bushing (front) Set Screw	505326	Feed Lifting Rock Shaft Crank with 504019
504002 (850)	Thread Take-up Lever Link Hinge Pin Set Screw	505327	Feed Lifting Rock Shaft Crank Connecting Rod with two 504071
504002 (850)	Thread Take-up Spring Regulator Set Screw	505328	Feed Lifting Rock Shaft Crank Connecting Rod Cap Oil Pad (felt)
504002 (850)	Zig-Zag Triangular Cam Shaft Bushing Set Screw	505333	Feed Rock Shaft
504005-451	Clamp Stop Motion Clamp Screw (Spec. No. 1039 Chrome Nickel Satin Finish)	505334	Feed Rock Shaft Complete, Nos. 505333 and 505335
504007	Bight Amplitude Slide Block Crank Shaft Bushing Collar Set Screw (Spec. No. 1050) (2)	505335	Feed Rock Shaft Crank with 504019
504007	Rotating Hook Drive Shaft Retainer Collar Screw (Spec. No. 1050) (2)	505339	Needle Bar Crank with 504095, 504101 and 504120
504007 (850)	Rotating Hook Shaft Retainer Collar Screw (4)	505356	Rotating Hook Bobbin Case Latch Spring
504007 (850)	Thread Retainer Set Screw	505372	Thread Take-up Lever Link Hinge Pin
504010-451	Needle Bar Connecting Link Guide Screw (2)	505407	Feed Bar Screw Center 504068 with 504502 (2)
504010-451	Rotating Hook Shaft Bevel Gear Cover Screw	505408	Feed Lifting Rock Shaft Screw Center 504072 with 504504 (2)
504010-451	Thread Guard (upper) Set Screw	505408	Feed Rock Shaft Screw Center 504072 with 504504 (2)
504019 (850)	Feed Lifting Rock Shaft Crank Clamping Screw	505417	Bight Amplitude Slide Block Crank Knee Operating Bell Crank (2)
504019 (850)	Feed Rock Shaft Crank Clamping Screw	505427	Rotating Hook Drive Shaft Retainer Collar with two 504007
504027 (851)	Needle Clamp Thumb Screw	505428	Arm Shaft (horizontal) Flanged Bushing (front)
504028 (850)	Arm Shaft (horizontal) Flanged Bushing (back) Set Screw	505571	Zig-Zag Triangular Cam Shaft Oil Wick
504028 (850)	Arm Shaft (horizontal) Worm Gear Set Screw (2)	505658	Presser Bar Lifter Pin
504028 (850)	Presser Bar Guide Bracket Set Screw	540435	Feed Regulating Stud Lock Pin
504047 (830)	Tension Stud Set Screw	540472	Thread Guard (upper)
504057 (805)	Needle Bar Connecting Link Cap Screw (Spec. No. 1015)	540682	Tension Spring
504057 (805)	Needle Bar Connecting Link Cap Screw (Spec. No. 1015)	541566	Presser Foot (spring hinged) Complete
504063-451	Presser Foot Screw (Spec. No. 1025)	541605	Arm Shaft (horizontal)
504066 (830)	Arm Shaft (horizontal) Bevel Gear Set Screw (2)	541606	Arm Shaft (horizontal) Bevel Gear with two 504066
504067 (819)	Clamp Stop Motion Clamp Flanged Bushing Set Screw	541607	Arm Shaft (horizontal) Worm Gear with two 504028
504068 (803)	Feed Bar Screw Center (2)	541608	Arm Shaft (upright)
504069 (833)	Feed and Feed Lifting Eccentric Position Screw	541609	Arm Shaft (upright) Bevel Gear (lower) with two 504101
504070 (833)	Feed and Feed Lifting Eccentric Set Screw	541610	Arm Shaft (upright) Bevel Gear (upper) with two 504101
504071 (833)	Feed Lifting Rock Shaft Crank Connecting Rod Cap Screw (2)	541611	Arm Side Cover
504071 (833)	Feed Reverse Lever Link Clamping Screw	541619-452	Bed Slide
504072 (803)	Feed Lifting Rock Shaft Screw Center (2)	541620-452	Bed Slide Complete, Nos. 154884, 541619-452 and two 154789
504072 (803)	Feed Rock Shaft Screw Center (2)	541623	Bight and L-C-R Position Lever Complete, Nos. 545413 and 549285
504074 (852)	Feed Regulating Stud Head Cap Screw	541630	Bight Amplitude Regulating Plate Spring
504077 (803)	Needle Bar Connecting Link Adjusting Screw	541631	Bight Amplitude Slide Block
504083 (852)	Presser Regulating Thumb Screw	541634	Bight Amplitude Slide Block Crank Link
504084 (810)	Bight Amplitude Stop Plate (left) (right) Screw (2)	541635	Bight Amplitude Slide Block Crank Shaft
504084 (810)	Rotating Hook Bobbin Case Holder Position Bracket Screw	541636	Bight Amplitude Slide Block Crank Shaft Bushing
504086 (806)	Rotating Hook Bobbin Case Tension Regulating Screw		

NUMERICAL LIST OF PARTS FOR 20011/13 M/Gs

Part No.	Description	Part No.	Description
541637	Bight Amplitude Slide Block Crank Shaft Bushing Collar with two 504007	541770	Needle Bar Timing Indicator Plate
541639	Bight Amplitude Slide Block Crank Spring	541771-452	Bed Plate
541641	Bight Amplitude Slide Block Guide with 545098	541772	Bed Plate Bracket
541642	Bight Amplitude Slide Block Guide Stud	541773-452	Bed Plate Complete, Nos. 541771-452 with 541772 and two 154785
541645	Feed and Feed Lifting Eccentric with 504069 and 504070	541774	Bight Amplitude Slide Block Crank Shaft Knob
541646	Feed Bar	541775	Feed Reverse Lever Return Spring
541647	Feed Dog	541778	Feed Reverse Lever Link with 504071
541648	Feed Lifting Rock Shaft with 504751	541779	Feed Reverse Lever Return Spring Bracket (hook)
541649	Feed Lifting Rock Shaft Complete, Nos. 505326 and 541648	541780	Feed Reverse Lever Hinge Stud
541650	Feed Regulating Stud Head with 45339	541784	Rotating Hook Bobbin Case Holder Position Bracket
541651	Feed Regulator with 545045	541786	Handwheel
541652	Feed Regulator Hinge Stud	541787	Needle Clamp Thread Guard
541654	Feed Reverse Lever with 545046	541788	Needle Clamp Complete, Nos. 504027, 545180, 541667 and 541787
541657	Needle Bar (hollow)	541789	Bight Amplitude Regulating Plate Holder and Bight Amplitude Regulating Plate Complete, Nos. 541630, 541912, 541913 and 541946
541664	Needle Bar Connecting Stud Hinge Pin	541904	Arm Top Cover Oil Tube Packing (cotton)
541665	Needle Bar Connecting Stud Hinge Pin Washer	541905	Arm Top Cover Complete, Nos. 505314, 541762, 541904 and two 541948
541667	Needle Clamp	541908	Face Plate with 545701
541671	Rotating Hook with two 549397	541909	Bight and L-C-R Position Block
541673	Rotating Hook Complete, Nos. 541671, 541694, 541765, three 504088 and four 504090 (for agents only)	541910	Bight and L-C-R Position Lever Arm
541674	Rotating Hook 541673 with 541680	541912	Bight Amplitude Regulating Plate (left)
541675	Rotating Hook 541674 with 541678	541913	Bight Amplitude Regulating Plate (right)
541680	Rotating Hook Bobbin Case Holder	541916	Bight Amplitude Stop Plate (left) (right) (2)
541683	Rotating Hook Drive Shaft	541917	Lifting Lever
541684	Rotating Hook Drive Shaft Bevel Gear (back) with two 504101	541921	Needle Bar Frame
541685	Rotating Hook Drive Shaft Bevel Gear (front) with two 504101	541922	Needle Bar Frame Pin
541686	Rotating Hook Drive Shaft Bushing (back)	541923	Rotating Hook Drive Shaft Bushing (front)
541688	Rotating Hook Shaft	541924	Rotating Hook Shaft Bushing (long)
541689	Rotating Hook Shaft Bevel Gear with two 504101	541925	Thread Take-up Lever Guard
541690	Rotating Hook Shaft Bevel Gear Cover	541927	Needle Bar Connecting Link Guide
541692	Rotating Hook Shaft Bushing (short)	541928	Bight Amplitude Slide Block Crank 541967 with 541624, 541624, 541756, 541910 and two 549288
541693	Rotating Hook Shaft Retainer Collar with two 504007	541929	Needle Bar (hollow) 541657 with 541933
541694	Rotating Hook Thread Guard	541930	Needle Bar Connecting Link with 504077
541695	Set of Gears (lower, back) Nos. 541609 and 541684	541933	Needle Bar Frame 541921 with 541770, 549290 and two 549336
541696	Set of Gears (lower, front) Nos. 541685 and 541689	541936-452	Throat Plate
541697	Set of Gears (upper) Nos. 541606 and 541610	541946	Bight Amplitude Regulating Plate Holder
541698	Slack Thread Regulator	541948	Arm Top Cover Cushion (2)
541700	Tension Releasing Lever	541949	Arm Top Cover Screw (back) O-Ring
541701	Tension Releasing Lever Spring	541951	Bight and L-C-R Position Lever Thumb Stud (Spec. No. 1019)
541702	Tension Releasing Pin	541957	Tension Complete, Nos. 32758, 540682, 541702, 545893, 545894-451, 546927 and two 2102
541707	Thread Take-up Crank	541965	Lifting Lever Connecting Rod
541708	Thread Take-up Lever with 52130	541967	Bight Amplitude Slide Block Crank with two 549181
541709	Thread Take-up Lever Complete, Nos. 52024 and 541708	541982	Presser Bar Guide Bracket with 504028
541711	Zig-Zag Stitch Regulator Fork	541983	Bight Amplitude Slide Block Crank Knee Operating Connection
541712	Zig-Zag Stitch Regulator Fork Eccentric Connection Pin	541985	Presser Bar (hollow)
541715	Zig-Zag Triangular Cam	542043	Lifting Lever Connecting Rod Spring
541716	Zig-Zag Triangular Cam Gear and Zig-Zag Triangular Cam Shaft Complete, Nos. 541715, 541718 and 505571	543935	Needle Bar Connecting Link 541930 with 543937
541718	Zig-Zag Triangular Cam Shaft	543937	Needle Bar Connecting Stud Complete, Nos. 504091, 541664, 541665 and 545001
541719	Zig-Zag Triangular Cam Shaft Bushing	543953	Thread Take-up Complete, Nos. 504057, 505372, 541707, 541709 and 543935
541720	Presser Bar Lifting Bracket with 541725 and 549330	544054	Arm Screw (4)
541725	Presser Bar Lifting Shaft Link	545001 (819)	Needle Bar Connecting Stud Hinge Pin Screw
541744	Bight Amplitude Slide Block Crank Knee Operating Bell Crank Complete, Nos. 541745, 541746 and two each 56073 and 505417	545045 (833)	Feed Regulator Hinge Stud Set Screw
541745	Bight Amplitude Slide Block Crank Knee Operating Bell Crank Bracket	545046 (809)	Feed Reverse Lever Set Screw
541746	Bight Amplitude Slide Block Crank Knee Operating Bell Crank Hinge Pin	545047 (850)	Feed Reverse Lever Hinge Stud Cap Screw
541749	Bight Amplitude Slide Block Crank Shaft Bushing Washer	545059 (810)	Arm Top Cover Screw (back)
541750	Bight Amplitude Slide Block Crank Shaft Ring	545092	Bight and L-C-R Position Block Set Screw (2) (Spec. No. 1050)
541751	Feed Forked Connection 56024 with 505322, 541651, two 154759 and two 154981	545092 (810)	Face Plate Screw (2)
541753	Arm Shaft (horizontal) and Needle Bar Crank Complete Nos. 505339 and 541605	545098 (850)	Bight Amplitude Slide Block Guide Stud Set Screw
541754	Bight Amplitude Slide Block Crank Shaft Knob 541774 with 541635, 541750 and 549119	545180	Needle Clamp Thread Guard Set Screw (Spec. No. 1010)
541756	Bight Amplitude Slide Block Guide 541641 with 541631	545218 (852)	Arm Top Cover Screw (front)
541759	Needle Bar Frame Clamping Stud	545260 (806)	Tension Releasing Lever Hinge Screw
541762	Arm Top Cover Spool Holder	545354 (804)	Bight Amplitude Slide Block Cap Screw
541764	Rotating Hook Bobbin Case Tension Spring	545404-451	Tension Regulating Thumb Nut
541765	Rotating Hook Section	545413 (803)	Bight and L-C-R Position Lever Screw Pin Nut
		545495	Bight and L-C-R Position Lever Arm Regulating Screw Nut Spec. No. 1019 (2)
		545766	Arm Shaft (upright) Bushing (lower)
		545767	Arm Shaft (upright) Bushing (upper)
		545814	Feed Regulating Stud Bushing
		545820	Feed Regulating Stud Lock Pin Spring
		545825	Arm Top Cover Screw (front) O-Ring
		545893	Tension Releasing Disc
		545898	Tension Stud
		545899-451	Tension Stud 545898 with two 545404-451

NUMERICAL LIST OF PARTS FOR 20U11/13 M/Cs

<u>Part No.</u>	<u>Description</u>	<u>Part No.</u>	<u>Description</u>
546172	Bight Amplitude Slide Block Crank Knee Operating Connection Snap Ring		
546172	Lifting Lever Connecting Rod Snap Ring		
546701	Face Plate Washer (rubber)		
546927	Thread Take-up Spring Regulator with 504047		
547671	Bight and L-C-R Position Lever Thumb Stud Nut Spring Washer		
548061	Bight Amplitude Stop Plate (left) (right) Washer (2)		
549119 (850)	Bight Amplitude Slide Block Crank Shaft Knob Set Screw		
549181 (803)	Bight Amplitude Slide Block Crank Set Screw (2)		
549234 (810)	Bight Amplitude Slide Block Crank Spring Screw		
549285 (803)	Bight and L-C-R Position Lever Screw Pin		
549288 (830)	Bight Amplitude Slide Block Crank Link Hinge Screw (2)		
549289 (803)	Feed Regulating Stud		
549290 (819)	Zig-Zag Stitch Regulator Fork Eccentric Connection Pin Set Screw		
549330 (810)	Presser Bar Lifting Shaft Link Hinge Screw		
549336 (825)	Arm Side Cover Set Screw (4)		
549336 (825)	Needle Bar Timing Indicator Plate Screw (2)		
549354	Needle Bar Frame Clamping Stud Screw		
549356 (850)	Bight Amplitude Regulating Plate Holder Set Screw (2)		
549376 (850)	Feed Dog Screw (2)		
549385	Bight Amplitude Regulating Plate Thumb Screw (Spec. No. 1019) (2)		
549387	Bight and L-C-R Position Lever Arm Regulating Screw (Spec. No. 1050) (2)		
549389	Lifting Lever Hinge Screw (Spec. No. 1050)		
549397 (850)	Rotating Hook Set Screw (2)		
549426	Bight and L-C-R Position Block Washer (2)		
N1955-014	Needle (size #14) with Pontoon C.A.E.		

ACCESSORIES AND ATTACHMENTS

(Supplied with Machine)

12403	Arm Spool Pin and Thread Eyelet
55623	Rotating Hook Bobbin (5)
505643	Presser Foot (spring hinged) Complete (for straight stitching)
540161-701	Arm Top Cover Spool Seat Complete
540165-701	Arm Top Cover Spool Holder Thread Lead-off (large) Complete
540169-701	Arm Top Cover Spool Holder Thread Lead-off (small) Complete
541514	Screw Driver (small)
541515-001	Cloth Guide (purchased part)
541516-001	Hemmer Foot (1/8 hem) (purchased part)
541558	Screw Driver (large)
541561	Screw Driver (for throat plate)
541734	Feed Dog (for straight stitching)
541736-001	Zipper Foot (purchased part)
541781	Presser Foot (spring hinged) Complete (for buttonholing)
541937-452	Throat Plate (for straight stitching)
546922	Oiler (130 cc, filled with type "A" oil) (for treadle drive)
546923	Oiler (130 cc, filled with type "B" oil) (for electric drive)
549184-001	Cloth Guide Screw (purchased part)
N1955-014	Needle (size #14) with Pontoon C.A.E. (3)

UNIVERSAL BOBBIN WINDER

(Supplied with Machine)

505008	Bobbin Winder Spool Pin Washer (felt)
505655-001	Universal Bobbin Winder Complete (include two wood screw) (purchased assembly)
540169-701	Bobbin Winder Spool Presser Plate Complete, Nos. 541741 and 541743
541762	Bobbin Winder Spool Pin
541952	Bobbin Winder Spool Pin Bracket
541953	Bobbin Winder Spool Pin Complete, Nos. 505008, 540169-701, 541762, 541952 and 545428
545428 (303)	Bobbin Winder Spool Pin Nut