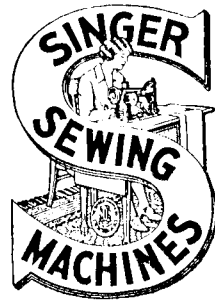


**SINGER**  
**61W62,W63**

# LIST OF PARTS



## MACHINES Nos. 61w62 and 61w63

### INDEX

|                               | PAGE |
|-------------------------------|------|
| ACCESSORIES .....             | 16   |
| BOBBIN WINDER .....           | 16   |
| FEED DOGS .....               | 18   |
| GUIDES .....                  | 20   |
| KNEE LIFTER .....             | 18   |
| MACHINE No. 61w62 .....       | 7    |
| "    "    61w63 .....         | 15   |
| NUMERICAL LIST OF PARTS ..... | 21   |
| PRESSER FEET .....            | 19   |
| THROAT PLATES .....           | 19   |

THE SINGER MANUFACTURING COMPANY

# Instructions for Ordering

In ordering from this list, use **ONLY** the **PART** number in the **FIRST** column.

The number stamped on a Sewing Machine Part is the number of the Single Part only, except when the part includes Set Screws, Clamping Screws, Studs and Rollers Spun on, Small Wires riveted, or Parts soldered together, etc., which it is necessary to furnish in combination.

Every combination of parts sent out has its specific number which, although not stamped on Parts (except in above case), must be used when ordering the combination.

Each number always indicates the **SAME PART** in whatever list it appears, or for whatever Machine.

The letters after some of the numbers indicate the style of finish only, as follows:

- A. Hardened, Polished and Plated.
- B. Polished and Plated.
- C. Hardened only.
- D. Polished only.
- E. Soft, not polished.
- F. Hardened and Polished.
- H. Blued.

These letters **MUST BE USED** when they appear in the list and **AFTER** the number, as in the list.

In this series

- 200001 to 201500 are Screw Numbers.
- 201501 to 201800 are Nut Numbers.
- 201801 to 202000 are Roller Numbers.
- 202001 and upward are Numbers of Machine Parts.

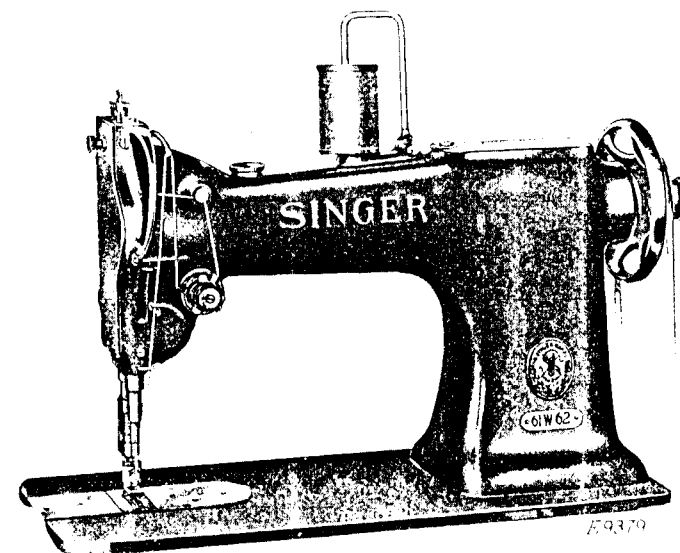
The figures in the second column refer only to the plate in which the illustration of the part is shown and are **NOT TO BE USED** in ordering.

Two or more numbers over a cut indicate that the difference between such parts is not visible in an illustration.

Parts marked with an asterisk (\*) are furnished only when repairs are made at the factory.

## LIST OF PARTS COMPLETE

FOR



## MACHINE No. 61w62

For Collars and Cuffs (Troy Style)

| No.     | Plate | Name                            |
|---------|-------|---------------------------------|
| *207079 | ---   | Arm .....                       |
| 202247  | 10667 | " Cap .....                     |
| 200278H | 10244 | " " Screw .....                 |
| 202248  | 10244 | " " Washer .....                |
| 204235  | 13392 | " Position Pin (2) .....        |
| 200010E | 10245 | " Screw (3) .....               |
| 202005  | 10245 | " " Washer (3) .....            |
| 202249  | 13351 | " Shaft with 200357E and 203100 |
| 202243  | 13351 | " " Bushing (back) with         |
|         |       | 202244 .....                    |
| 207080  | 13390 | Arm Shaft Bushing (front) with  |
|         |       | 202244 .....                    |
| 200502B | 10246 | Arm Shaft Bushing (front) Oil   |
|         |       | Packing Thumb Screw .....       |
| 202244  | ---   | Arm Shaft Bushing Oil Packing   |
|         |       | (wick) .....                    |

| No.     | Plate | Name   |
|---------|-------|--|
| 200338c | 10244 | Arm Shaft Bushing Set Screw (2)  |
| 202530  | 13351 | " " Connection Belt .....  |
| 202252  | 10244 | " " " " Pulley<br>with 200327c, 200602e and two<br>202253 .....  |
| 200602E | 10244 | Arm Shaft Connection Belt Pulley<br>Position Screw .....   |
| 200327c | 10244 | Arm Shaft Connection Belt Pulley<br>Set Screw .....  |
| 202253  | 10244 | Arm Shaft Connection Belt Pulley<br>Spring Flange .....  |
| 203100  | ---   | Arm Shaft Oil Packing (wick) ....  |
| 200357E | 10244 | " " " " Stop Screw..   |
| 202255  | 13351 | Balance Wheel (belt groove 2½ in.<br>diam.) with 200328c and 200335c                                       |
| 200328c | 10244 | Balance Wheel Position Screw ....  |
| 200335c | 10244 | " " Set Screw .....  |
| *207081 | ---   | Bed .....  |
| 207082  | 13390 | " Plate (back) .....   |
| 200577H | 10245 | " " " Screw .....  |
| 207083  | 13390 | " Slide (front) .....  |
| 202265  | 13392 | Bobbin .....   |
| *202848 | ---   | " Case .....   |
| 202267  | 13392 | " " Latch .....  |
| *202056 | ---   | " " " Pin .....  |
| 202269  | 13392 | " " " Plunger .....  |
| 202270  | 13392 | " " " Spring .....   |
| 202716  | 13392 | " " Tension Spring .....   |
| 200984c | 13392 | " " " " Regulat-<br>ing Screw .....  |
| 200594c | 13392 | Bobbin Case Tension Spring Screw   |
| 202717  | 13358 | Bobbin Case complete, Nos. 200594c,<br>200984c, 202056, 202267, 202269,<br>202270, 202716 and 202848 ..... |
| 200459D | 13392 | Cloth Guide Thumb Screw .....  |
| 202514  | 10274 | Compound Presser Bar 202506 with<br>202874 and 225832 .....  |
| 202832  | ---   | Compound Presser Bar 202514 with<br>202515 to 202519 .....   |
| 202274  | 10667 | Face Plate .....   |
| 202135  | 10245 | " " Position Pin .....   |
| 200462B | 10245 | " " Thumb Screw .....  |
| 202275  | 10667 | Feed Bar .....   |
| 200641c | 10246 | " " Hinge Screw (driving)..  |
| 201522E | 10246 | " " " " Nut .....  |
| 202276  | 10245 | " " Slide Block .....  |
| 202298  | 10245 | " " " " Crank with<br>200038c .....  |
| 203124  | ---   | Feed Bar Slide Block 202298<br>with 200205E, 201518E and 202276  |

| No.     | Plate | Name   |
|---------|-------|--|
| 200038c | 10245 | Feed Bar Slide Block Crank Pinch<br>Screw .....  |
| 200205E | 10245 | Feed Bar Slide Block Hinge Screw   |
| 201518E | 10245 | " " " " " "<br>Nut .....   |
| 202280  | 13360 | Feed Dog .....   |
| 200106E | 10245 | " " Screw (2) .....  |
| 202297  | 10667 | " Driving Connection with<br>200054E and 202277 .....  |
| 202298  | 10245 | Feed Driving Connection Crank<br>with 200038c .....  |
| 200038c | 10245 | Feed Driving Connection Crank<br>Pinch Screw .....   |
| 200545c | 10245 | Feed Driving Connection Hinge<br>Screw .....   |
| 201518E | 10245 | Feed Driving Connection Hinge<br>Screw Nut .....   |
| 202277  | ---   | Feed Driving Connection Oil Pack-<br>ing (wick) .....  |
| 200054E | 13392 | Feed Driving Connection Pinch<br>Screw .....   |
| 202300  | 10246 | Feed Driving Eccentric Regulating<br>Bracket .....   |
| 203134  | ---   | Feed Driving Eccentric Regulating<br>Bracket 202300 with 202252, two<br>each 201014c and 201525E ..... |
| 201014c | 10245 | Feed Driving Eccentric Regulating<br>Bracket Hinge Screw .....   |
| 201525E | 10245 | Feed Driving Eccentric Regulating<br>Bracket Hinge Screw Nut .....                                     |
| 202301  | 10246 | Feed Driving Eccentric Regulating<br>Bracket Plunger .....   |
| 202595  | 10246 | Feed Driving Eccentric Regulating<br>Bracket Plunger Spring .....                                      |
| 200607c | 10246 | Feed Driving Eccentric Regulating<br>Bracket Plunger Spring Stop<br>Screw .....                        |
| 201014c | 10245 | Feed Driving Eccentric Regulating<br>Bracket Stop Screw .....  |
| 201525E | 10245 | Feed Driving Eccentric Regulating<br>Bracket Stop Screw Nut .....                                      |
| 200429c | 10246 | Feed Driving Eccentric Regulating<br>Screw .....   |
| 200383c | 10246 | Feed Driving Eccentric Regulating<br>Screw Check Screw .....   |
| 202303  | 13390 | Feed Driving Rock Shaft .....  |
| 206860  | ---   | " " " " 202303<br>with 200641c, 201522E and 202275   |

| No.     | Plate | Name   |
|---------|-------|--|
| 202305  | 10245 | Feed Driving Rock Shaft Center (2)   |
| 200043c | 10246 | " " " " " Set Screw (2) .....  |
| 202306  | 10667 | Feed Lifting Connection with 200054E and 202277 .....                                    |
| 202307  | 10246 | Feed Lifting Connection Eccentric with 200382c and 200437c .....                         |
| 200437c | 10246 | Feed Lifting Connection Eccentric Position Screw .....                                   |
| 200382c | 13358 | Feed Lifting Connection Eccentric Set Screw .....  |
| 200545c | 10245 | Feed Lifting Connection Hinge Screw .....  |
| 201518E | 10245 | Feed Lifting Connection Hinge Screw Nut .....  |
| 202277  | ----- | Feed Lifting Connection Oil Packing (wick) .....   |
| 200054E | 13392 | Feed Lifting Connection Pinch Screw .....  |
| 202308  | 13390 | Feed Lifting Rock Shaft .....  |
| 202305  | 10245 | " " " " Center (2)   |
| 200043c | 10246 | " " " " " Set Screw (2) .....  |
| 202310  | 13390 | Feed Regulating Spindle with 202311, 202443 and 202619 .....                             |
| *202311 | ----- | Feed Regulating Spindle Head ...   |
| 202443  | 10244 | " " " " " Pin  |
| 202619  | 13392 | " " " " " Position Pin .....   |
| *244010 | ----- | Hook (sewing) .....  |
| 244015  | 13394 | " 244010 with 200145c, 200596E, 200614c, 202320, 203101, 206775, 206978 and 244014 ..... |
| 244016  | ----- | Hook and Bobbin Case complete, Nos. 202717 and 244015 .....                              |
| 244013  | 13392 | Hook Counter Balance with 200444c  |
| 200444c | 13392 | " " " Position Screw   |
| 206978  | 13358 | " Gib .....  |
| 200614c | 13392 | " " Hinge Screw .....  |
| 200596E | 13392 | " " Screw .....  |
| 203101  | ----- | " Oil Wick .....   |
| *202320 | ----- | " Shaft, 11 <sup>7</sup> / <sub>16</sub> in. long .....                                  |
| 202321  | 10245 | " " Bushing (back) .....   |
| 200346c | 10245 | " " " " " Set Screw  |
| 202322  | 10245 | " " " " (front) .....  |
| 200346c | 10245 | " " " " " Set Screw  |
| 202323  | 10244 | " " Connection Belt Pulley with 202324 and two 201018c .....                             |
| 201018c | 13392 | Hook Shaft Connection Belt Pulley Set Screw .....  |

| No.     | Plate | Name   |
|---------|-------|--|
| 202324  | 10244 | Hook Shaft Connection Belt Pulley Spring Flange .....                  |
| 202260  | ----- | Hook Shaft Oil Packing (wick) (2)                                      |
| 206775  | 13392 | " " Pin .....  |
| 244014  | 13392 | " Washer .....   |
| 200145c | 13392 | " " Screw .....  |
| 237837  | 13394 | Knee Lifter Connection Lever .....                                     |
| 244035  | ----- | " " " " " 237837 with 202417, 244034 and two 200262n .....             |
| 200262n | 10248 | Knee Lifter Connection Lever Hinge Screw .....                         |
| 202447  | 13394 | Knee Lifter Connection Lever Lifting Rod with 202302 .....             |
| 202302  | 10248 | Knee Lifter Connection Lever Lifting Rod Cotter Pin .....              |
| 244034  | 13394 | Knee Lifter Lifting Lever .....  |
| 200262n | 10248 | " " " " " Hinge Screw .....  |
| 202649  | 13358 | Needle Bar (offset, hollow) with 200141E .....                         |
| 202327  | 10248 | Needle Bar Bushing .....   |
| 206881  | ----- | " " " " 202327 with 202649 .....                                       |
| 200352c | 10248 | Needle Bar Bushing Set Screw ..  |
| 202331  | 10248 | " " Connecting Link ....   |
| 236073  | 13392 | " " " " " Oil Guard .....  |
| 200161n | 10247 | Needle Bar Connecting Link Oil Guard Screw .....                       |
| 202333  | 10248 | Needle Bar Connecting Link Stud with 202254 .....                      |
| 202254  | ----- | Needle Bar Connecting Link Stud Oil Packing (wick) .....               |
| 200374c | 13393 | Needle Bar Connecting Link Stud Set Screw .....                        |
| *206891 | ----- | Needle Bar Connecting Stud .....                                       |
| 202329  | 10248 | " " " " " 206891 with 200086c and 202330 .....                         |
| 202330  | ----- | Needle Bar Connecting Stud Oil Packing (wick) .....                    |
| 200086c | 10248 | Needle Bar Connecting Stud Pinch Screw .....                           |
| 202328  | 13394 | Needle Bar Crank with 200335c, 200428c, 202333 and two 200374c         |
| 203117  | ----- | Needle Bar Crank 202328 with 202329, 202331 and 202398 to 202400 ..... |

| No.     | Plate | Name   |
|---------|-------|--|
| 203172  | 10248 | Needle Bar Crank Friction Washer                                     |
| 200428c | 10248 | " " " Position Screw..   |
| 200335c | 10244 | " " " Set Screw .....  |
| 200141F | 10248 | " Set Screw .....  |
| 202506  | ---   | Presser Bar (hollow) .....   |
| 202509  | 13358 | " " Auxiliary Bar with<br>200543H .....                              |
| 202510  | 10275 | Presser Bar Auxiliary Bar Collar<br>with 200141F .....               |
| 200141F | 10248 | Presser Bar Auxiliary Bar Collar<br>Set Screw .....                  |
| 200543H | 10275 | Presser Bar Auxiliary Bar Foot<br>Screw .....                        |
| 202512  | 10275 | Presser Bar Auxiliary Bar Pin ....                                   |
| 202513  | 10275 | " " " " Spring..   |
| *206904 | ---   | " " Bracket .....  |
| 202507  | 10275 | " " " 206904 with<br>200387c .....                                   |
| 202874  | ---   | Presser Bar Bracket 202507 with<br>202509, 202510, 202512 and 202513 |
| 200387c | 10275 | Presser Bar Bracket Set Screw ..                                     |
| 207072  | 10249 | " " Bushing .....  |
| 200352c | 10248 | " " " Set Screw ....   |
| 202339  | 10249 | " " Lifter .....   |
| 200653c | 10249 | " " " Hinge Screw ....   |
| 244004  | 13393 | " " Lifting Releasing Lev-<br>er Bracket .....                       |
| 200260D | 10249 | Presser Bar Lifting Releasing Lev-<br>er Bracket Guide Screw .....   |
| 206608  | 13393 | Presser Bar Lifting Releasing Lev-<br>er Bracket Spring .....        |
| 202337  | 10249 | Presser Bar Position Guide .....                                     |
| 202338  | 10249 | " " " " Lever<br>with 200086F .....                                  |
| 200086F | 10248 | Presser Bar Position Guide Lever<br>Pinch Screw .....                |
| 200352c | 10248 | Presser Bar Position Guide Set<br>Screw .....                        |
| 206752  | 13358 | Presser Bar Spring (light) .....                                     |
| 202346  | 10249 | " " " Stop Rod .....   |
| 225832  | 13358 | " " Stop Collar with<br>200113F .....                                |
| 200113F | 13358 | Presser Bar Stop Collar Set Screw                                    |
| 200492B | 10249 | " " Thumb Screw (pres-<br>sure regulating) .....                     |
| 200475B | 13393 | Presser Bar Thumb Screw Thumb<br>Set Screw .....                     |
| 202355  | 13393 | Presser Bar Thumb Screw Thumb<br>Set Screw Packing (brass) .....     |
| 202515  | 10275 | Presser Foot .....   |

| No.     | Plate | Name   |
|---------|-------|--|
| 202068  | 12153 | Spool Holder Base .....  |
| 200575H | 13393 | " " " Screw .....  |
| 204296  | 12153 | " " Wire .....   |
| 200079H | 13393 | " " " Hinge Screw ....   |
| 204297  | 12153 | Spool Holder complete, Nos.<br>200079H, 202068 and 204296 ....                                 |
| 202397  | 13393 | Take-up (auxiliary) .....  |
| 200842E | 13393 | " " Screw .....  |
| 202398  | 10247 | " Lever .....  |
| 202399  | 10247 | " " Driving Stud with<br>202277 .....  |
| 202277  | ---   | Take-up Lever Driving Stud Oil<br>Packing (wick) .....   |
| 202400  | 10247 | Take-up Lever Hinge Stud with<br>202423 .....  |
| 202423  | ---   | Take-up Lever Hinge Stud Oil<br>Packing (wick) .....   |
| 200383c | 10246 | Take-up Lever Hinge Stud Set<br>Screw .....  |
| 202401  | 10247 | Take-up Lever Oiling Felt .....  |
| 200132E | 10247 | " " " " Screw ..   |
| 244007  | 10247 | Tension Disc (back) .....  |
| 244008  | 10247 | " " (front) .....  |
| 202404  | 10247 | " Release Plunger .....  |
| 202405  | 10247 | " " Washer .....   |
| 202407  | 10881 | " Spring .....   |
| 200625F | 10247 | " Stud with 204925 .....   |
| 200061c | 13393 | " " Set Screw .....  |
| 204925  | 13393 | " " Washer .....   |
| 201572B | 10881 | " Thumb Nut .....  |
| 202409  | 10252 | Tension complete, Nos. 200625F,<br>201572B, 202405, 202407, 202410,<br>244007 and 244008 ..... |
| 202410  | 10252 | Thread Controller Spring .....   |
| 202411  | 10252 | " " " Stop .....   |
| 200132E | 10247 | " " " " Screw  |
| 202413  | 10252 | " Guide .....  |
| 202414  | 10252 | " " .....  |
| 202415  | 10252 | " " .....  |
| 202417  | 10252 | " " .....  |
| 200582H | 10252 | " " Screw .....  |
| 200355H | 10252 | " " Set Screw .....  |
| 200368H | 13393 | " " " " .....  |
| 202091  | 10252 | " Retainer Sleeve.....   |
| 202092  | 10252 | " " Spring .....   |
| 204058  | 10252 | " " Stud .....   |
| 200368H | 13393 | " " " Set Screw .....  |
| 204059  | ---   | Thread Retainer complete, Nos.<br>202091, 202092 and 204058 .....                              |

| No.     | Plate | Name  |
|---------|-------|---|
| 202814  | 13360 | Throat Plate, 50 needle hole, for<br>needle sizes 14 and 15, with<br>202534, 202619 and two 200583n.. |
| 202534  | 13393 | Throat Plate Bobbin Case Stop   |
| 202619  | 13392 | " " " " "   |
|         |       | Position Pin .....  |
| 200583n | 13393 | Throat Plate Bobbin Case Stop<br>Screw .....  |
| 200577n | 10245 | Throat Plate Screw (2) .....  |

## MACHINE No. 61w63

For Collars and Cuffs

Same as Machine No. 61w62 with the following  
exceptions:

| No.    | Plate | Name   |
|--------|-------|--|
| 244011 | 13394 | Hook 244010 with 200145c, 200596e,<br>200614c, 202320, 203101, 206775,<br>206852 and 244014, in place of<br>244015 ..... |
| 244017 | ----  | Hook and Bobbin Case complete,<br>Nos. 202717 and 244011, in place<br>of 244016 .....                                    |
| 206852 | 13392 | Hook Gib, in place of 206978 .....   |
| 202729 | 13358 | Needle Bar with 200141c, in place<br>of 202649 .....   |
| 206890 | ----  | Needle Bar Bushing 202327 with<br>202729, in place of 206881 .....   |

## ACCESSORIES

FOR MACHINES NOS. 61w62 and 61w63

| No.     | Plate | Name   |
|---------|-------|--|
| 200157B | 13393 | Attachment Screw .....   |
| 202265  | 13392 | Bobbin (5) .....   |
| *225482 | —     | " Case Screw Driver Blade ..                                   |
| *225483 | —     | " " " " Handle ..  |
| 225497  | 12153 | Bobbin Case Screw Driver complete, Nos. 225482 and 225483 ..   |
| 225745  | 10338 | Guide (combination) .....                                      |
| 202511  | 10274 | Presser Bar Auxiliary Bar Foot Screw Wrench .....              |
| 202516  | 10275 | Presser Foot .....   |
| 202517  | 10275 | " " .....  |
| 202518  | 10275 | " " .....  |
| 202519  | 10275 | " " .....  |
| 135 x1  | —     | Needles, six each, sizes 10 and 12                             |
| 228212  | —     | Drip Pan (short) with four 1 in. wire nails .....              |
| 12361   | 13390 | Machine Hinge Connection (2) ...                               |
| 41400   | 12153 | " Rest Pin (wood) .....  |
| 120342  | 12153 | Oiler (copper plated) with 120343                              |
| 120343  | 12153 | " Spout, 3½ in. long .....                                     |
| *225484 | —     | Screw Driver Blade .....                                       |
| *225485 | —     | " " Handle .....   |
| 225498  | 12153 | Screw Driver complete (7¼ in. long), Nos. 225484 and 225485 .. |
| 225554  | 12153 | Wrench (steel) .....   |

### BOBBIN WINDER

#### Swing Automatic, Right Hand

|         |       |                                  |
|---------|-------|----------------------------------|
| 225453  | 10884 | Frame with 202277 and 225438 ... |
| 225454  | 10884 | " Hinge Pin .....                |
| 202277  | —     | " Oil Packing (wick) .....       |
| 225438  | 10884 | " " Well Cap .....               |
| 225455  | 10884 | " Spring .....                   |
| 225456  | 10884 | " " Plunger .....                |
| 202473  | 10885 | Pulley with 200380c .....        |
| 200380c | —     | " Set Screw .....                |

| No.     | Plate | Name   |
|---------|-------|--|
| 225381  | 10884 | Spindle .....  |
| 225444  | 10884 | Stop Latch .....   |
| 200056E | 10884 | " " Screw .....  |
| 225458  | 10884 | " " Thumb Lever .....  |
| 225459  | 10884 | " " " " Hinge Stud   |
| 225459  | 10884 | " " " " Joint Stud   |
| 202478  | 10884 | " " Trip Lever .....   |
| 200299B | 10884 | " " " " Hinge Screw  |
| 225461  | 10881 | Tension Bracket with 201499B ....  |
| 200082D | 10881 | " " Screw .....  |
| 228026  | 10884 | " " " Washer .....   |
| 2102    | 10881 | " Disc .....   |
| 202407  | 10881 | " Spring .....   |
| 201499B | 10881 | " Stud .....   |
| 201572B | 10881 | " Thumb Nut .....  |
| 225462  | 10881 | Bobbin Winder Tension Bracket complete, Nos. 201572B, 202407, 225461 and two 2102 .....  |
| 225433  | 10885 | Bobbin Winder and Tension Bracket Base .....   |
| 225382  | 10885 | Universal Bobbin Winder complete, Nos. 200056E, 200082D, 200299B, 202473, 202478, 225381, 225433, 225444, 225453 to 225456, 225458, 225462, 228026, two each 225459 and wood screws ¾ in., No. 12, R.H.B. .... |

### GUIDE

#### For Collar and Cuff Work

|         |       |  |
|---------|-------|--|
| 225732  | 10335 | Guide with 226236 .....  |
| 225733  | 10335 | " Bracket with 200855E .....   |
| 225735  | 10335 | " " Base .....   |
| 200158B | 10335 | " " " Hinge Screw ....   |
| 201526E | 10335 | " " " " " Nut ..   |
| 226071  | 10335 | " " " " " Spring Washer .....  |
| 200855E | 13358 | Guide Bracket Screw Stud .....   |
| 201563B | 10335 | " " " " Thumb Nut .....  |
| 225734  | 10335 | Guide Bracket Screw Stud Washer  |
| 226236  | 10335 | " Pin .....  |
| 225738  | —     | Guide and Swing Bracket complete, Nos. 200158B, 201526E, 201563B, 225732 to 225735 and 226071 .... |



## KNEE LIFTER

| No.    | Plate | Name  |
|--------|-------|---|
| 2763   | 13395 | Rock Shaft .....  |
| 228278 | 13395 | " " Hanger (back) with<br>356c .....  |
| 228279 | ---   | Rock Shaft Hanger 228278 with<br>202452 and 228282 .....  |
| 228280 | 13395 | Rock Shaft Hanger (front) with<br>two 356c .....  |
| 228281 | ---   | Rock Shaft Hanger 228280 with<br>202452 and 228282 .....  |
| 228282 | 13395 | Rock Shaft Hanger Bracket with<br>two wood screws 1 in., No. 10 ..  |
| 202452 | ---   | Rock Shaft Hanger Hinge Pin ....  |
| 202455 | 13395 | " " Knee Arm .....  |
| 356c   | ---   | " " " " Set Screw ..  |
| 228284 | 13395 | " " " " Plate with 356c ..  |
| 356c   | ---   | " " " " Set Screw ..  |
| 228283 | 13395 | " " Lifting Lever with two<br>356c .....  |
| 227728 | 13395 | Rock Shaft Lifting Lever Rod with<br>227729 .....   |
| 227729 | ---   | Rock Shaft Lifting Lever Rod Cap<br>356c .....  |
| 356c   | ---   | " " " " " " Set<br>Screw .....  |
| 356c   | ---   | Rock Shaft Lifting Lever Set Screw  |
| 356c   | ---   | " " Set Screw .....   |
| 228285 | 13395 | Knee Lifter Rock Shaft complete,<br>Nos. 2763, 202455, 227728, 228279,<br>228281, 228283 and 228284 ..... |

(Other Knee Lifter parts are listed with parts of machine head.)

## FEED DOGS

|        |       |   |
|--------|-------|---|
| 202279 | 13360 | Feed Dog, for collar and cuff work,<br>for 202814 .....       |
| 202280 | 13360 | Feed Dog, for long stitch, for 202814                         |
| 202289 | 13360 | " " " collar and cuff work,<br>for 202948 .....               |
| 202555 | 13360 | Feed Dog, for 202814 .....                                    |
| 206994 | 13360 | " " " short stitch, for 203106                                |
| 207053 | 13360 | " " " shirt collar and cuff<br>work, for 202948 .....         |
| 207054 | 13360 | Feed Dog, for shirt collar and cuff<br>work, for 202948 ..... |

## PRESSER FEET

| No.    | Plate | Name   |
|--------|-------|--|
| 202515 | 10275 | Presser Foot .....                                   |
| 202516 | 10275 | " " .....  |
| 202517 | 10275 | " " .....  |
| 202518 | 10275 | " " .....  |
| 202519 | 10275 | " " .....  |
| 202520 | 10275 | " " .....  |
| 202526 | ----  | " " 202520 with 202521 to<br>202525 and 206845 ..... |
| 202846 | 10275 | Presser Foot .....                                   |
| 202952 | ---   | " " 202846 with 202521 to<br>202525 and 206845 ..... |
| 202521 | 10275 | Presser Foot Yielding Extension ..                   |
| 202522 | 10275 | " " " " ..   |
| 202523 | 10275 | " " " " ..   |
| 202524 | 10275 | " " " " ..   |
| 202525 | 10275 | " " " " ..   |
| 206845 | 13358 | " " " " ..   |

## THROAT PLATES

|        |       |   |
|--------|-------|---|
| 202814 | 13360 | Throat Plate, 50 needle hole, for<br>needle sizes 14 and 15, with<br>202534, 202619 and two 200583n,<br>for 202279, 202280 and 202555 ..              |
| 202948 | 13360 | Throat Plate, 56 needle hole, for<br>needle sizes 10 and 11, with<br>202534, 202619 and two 200583n,<br>for 202289, 207053 and 207054 ..              |
| 203106 | 13360 | Throat Plate, 50 needle hole, for<br>needle sizes 14 and 15, with<br>202534, 202619 and two 200583n,<br>for collar and cuff work, for<br>206994 ..... |

### GUIDES

| No.     | Plate | Name  |
|---------|-------|---|
| 226237  | 10909 | Guide, for collar and cuff work ..  |
| 231337  | 13393 | " " cloth .....   |
| 225731  | 10909 | " " collar and cuff work ..   |
| 225742  | 10909 | " (combination), for collar and cuff work .....   |
| 225743  | 10909 | Guide (combination), for collar and cuff work .....   |
| 225745  | 10338 | Guide (combination), for collar and cuff work .....   |
| 225746  | 10338 | Guide Adjustable (combination) with 200187B and 225985, for narrow gauge collar and cuff work.. |
| 225985  | 10338 | Guide Adjustable Guide .....  |
| 200187B | 10338 | " " " Screw ....  |

### GUIDE

#### For Collar and Cuff Work

|         |       |  |
|---------|-------|--|
| 225732  | 10335 | Guide with 226236 .....  |
| 225733  | 10335 | " Bracket with 200855E .....   |
| 225735  | 10335 | " " Base .....   |
| 200158D | 10335 | " " " Hinge Screw ....   |
| 201526E | 10335 | " " " " " Nut..  |
| 226071  | 10335 | " " " " " Spring Washer .....  |
| 200855E | 13358 | Guide Bracket Screw Stud .....   |
| 201563B | 10335 | " " " " " Thumb Nut .....  |
| 225734  | 10335 | Guide Bracket Screw Stud Washer  |
| 226236  | 10335 | " Pin .....  |
| 225738  | ----  | Guide and Swing Bracket complete, Nos. 200158D, 201526E, 201563B, 225732 to 225735 and 226071 .... |

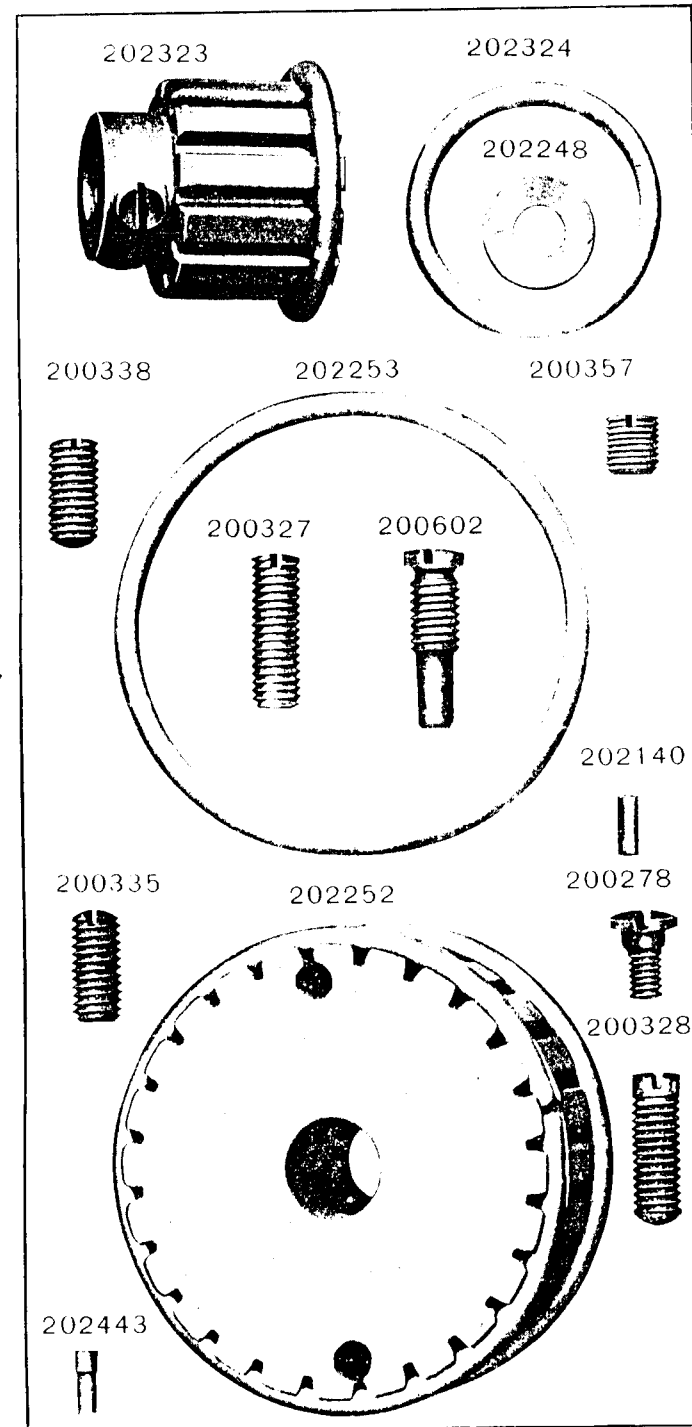


PLATE 10245—FULL SIZE

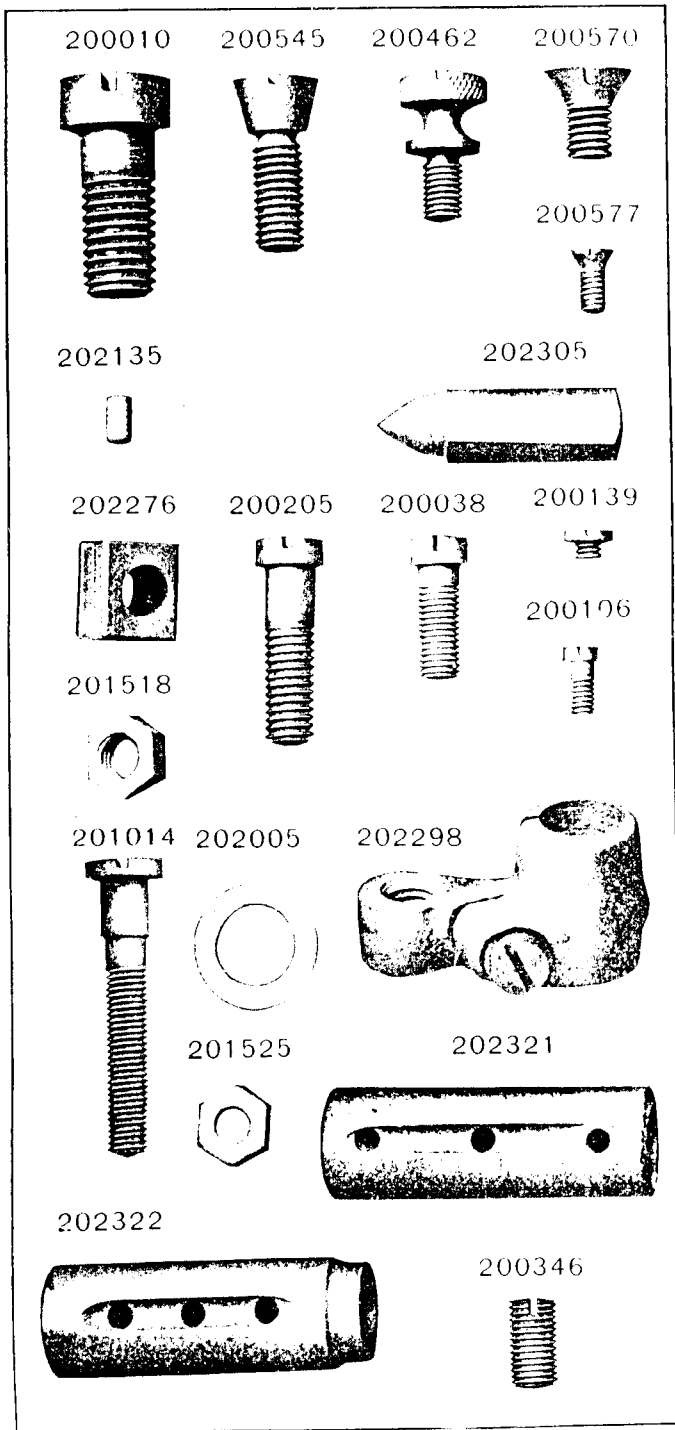


PLATE 10246—FULL SIZE

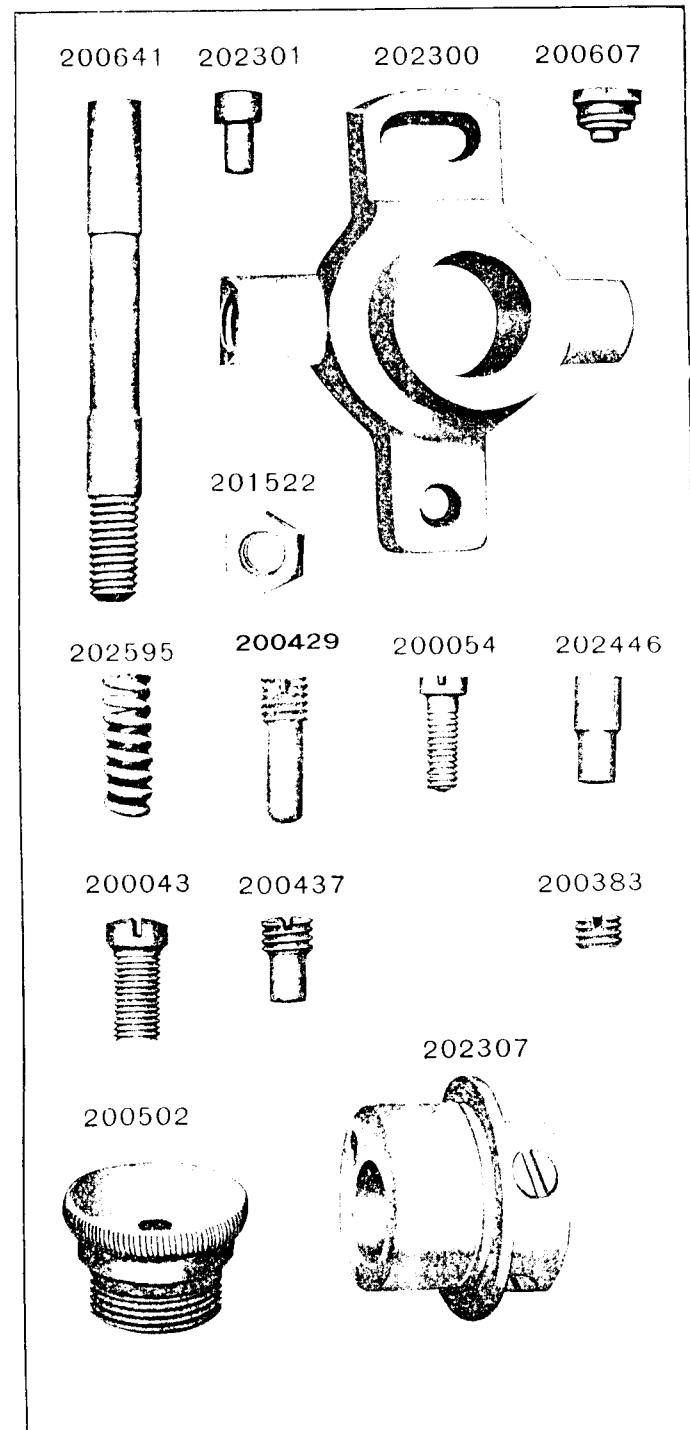


PLATE 10247—FULL SIZE

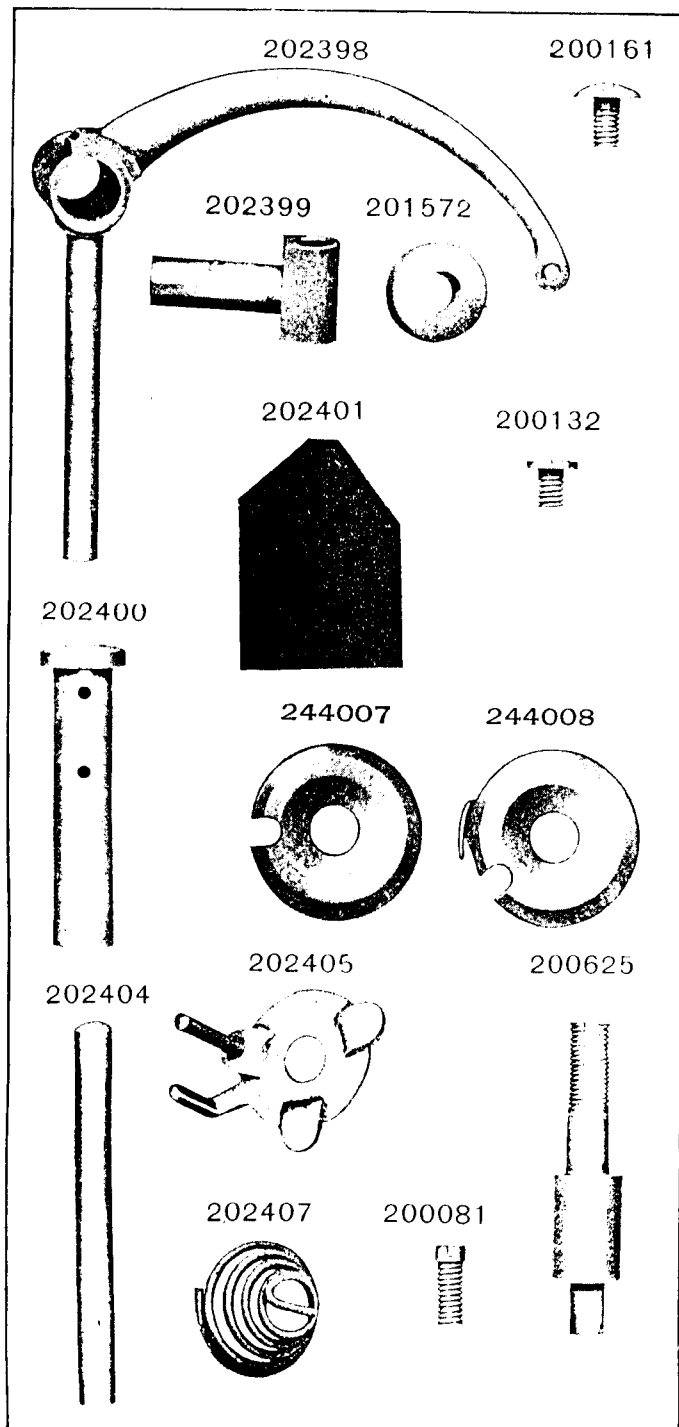


PLATE 10248—FULL SIZE

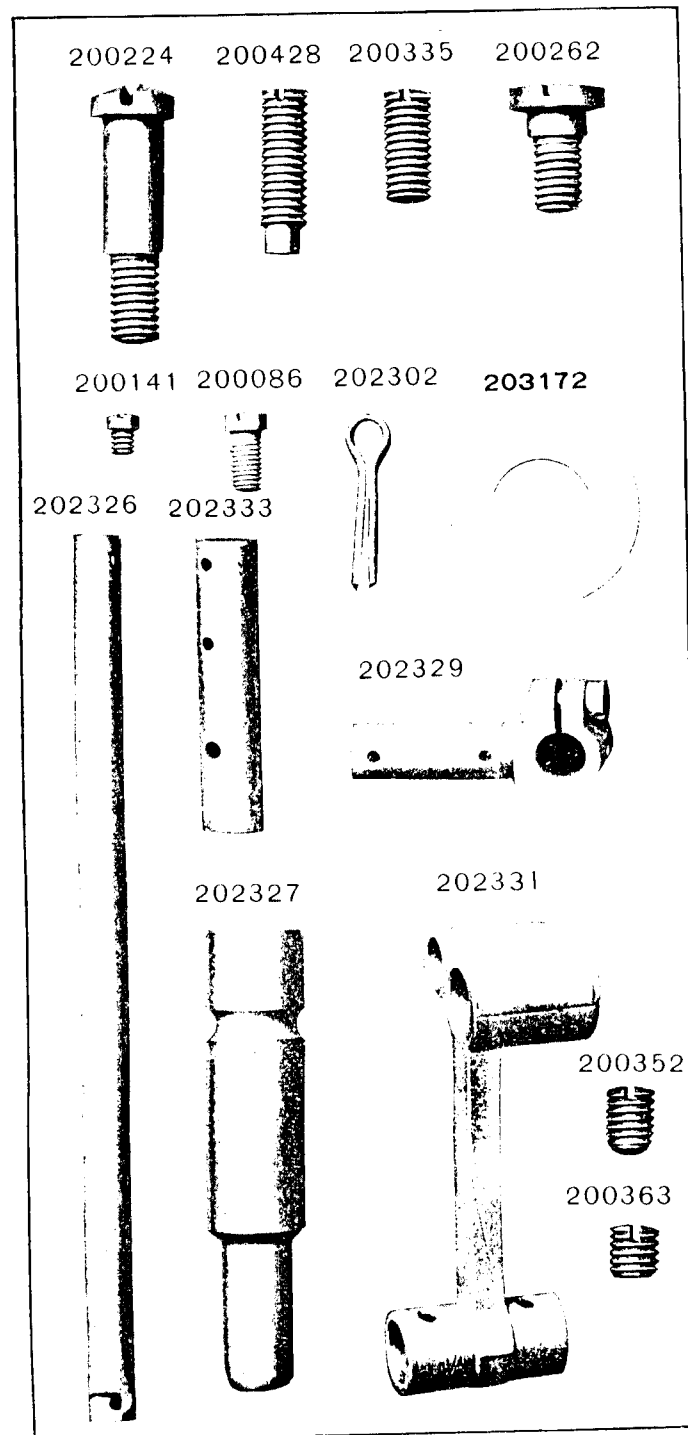


PLATE 10249--FULL SIZE

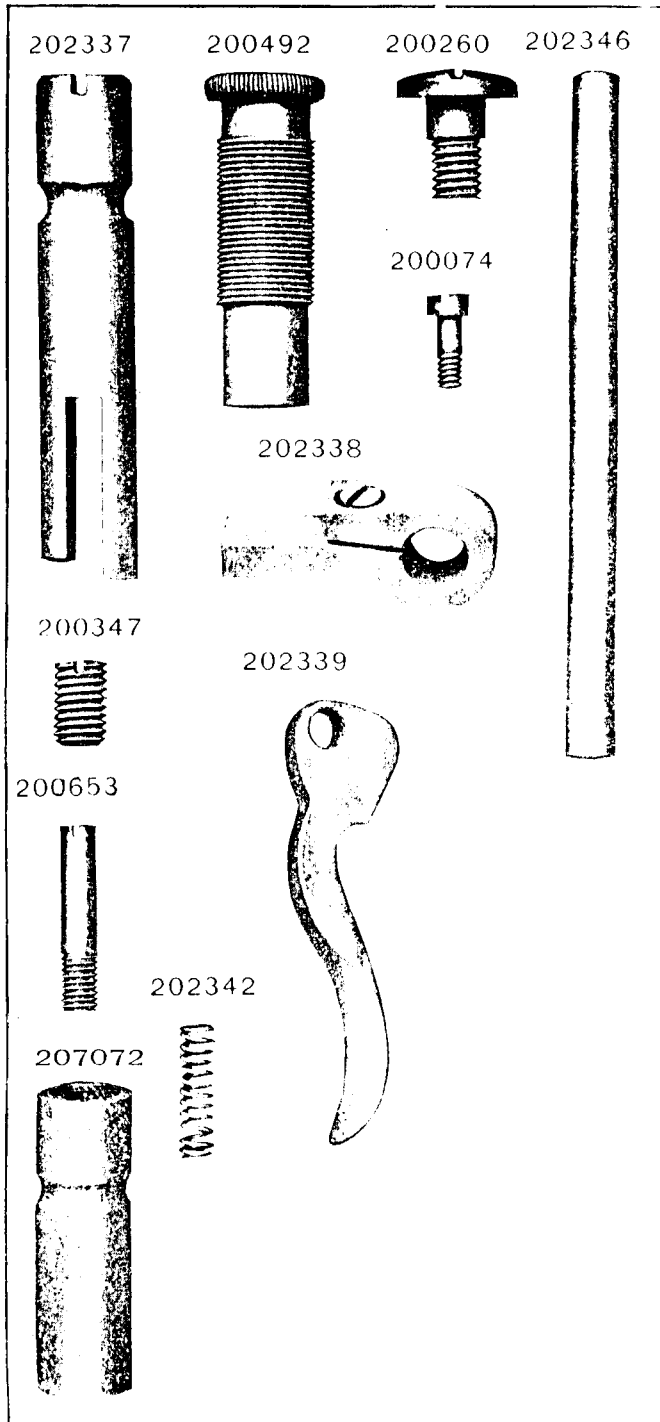


PLATE 10252--FULL SIZE

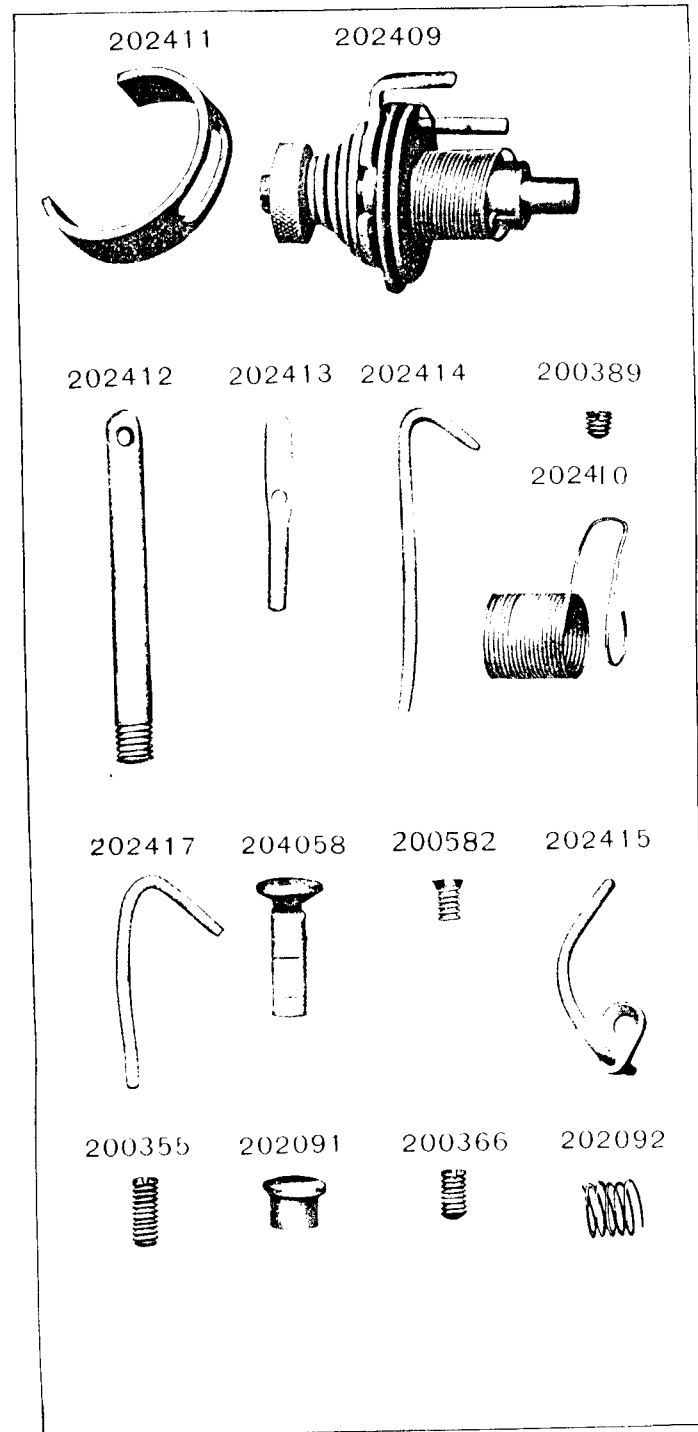


PLATE 10274-FULL SIZE

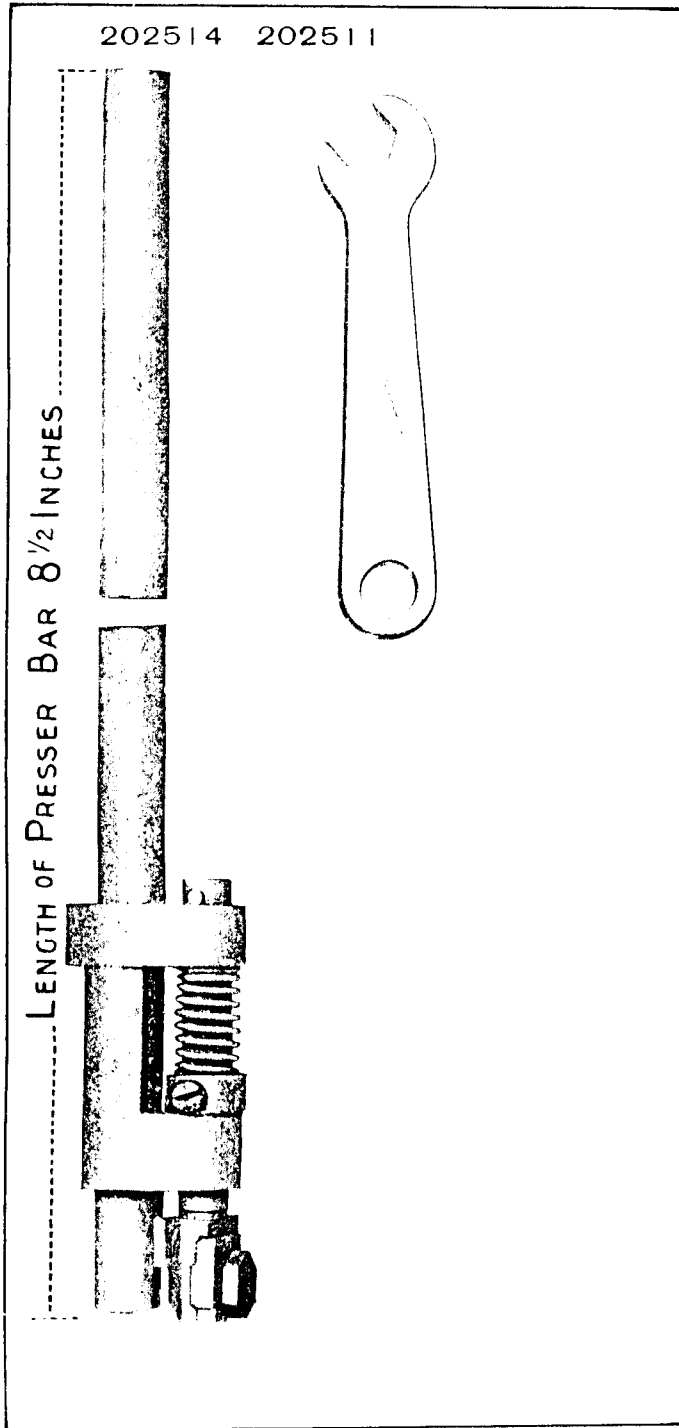


PLATE 10275-FULL SIZE

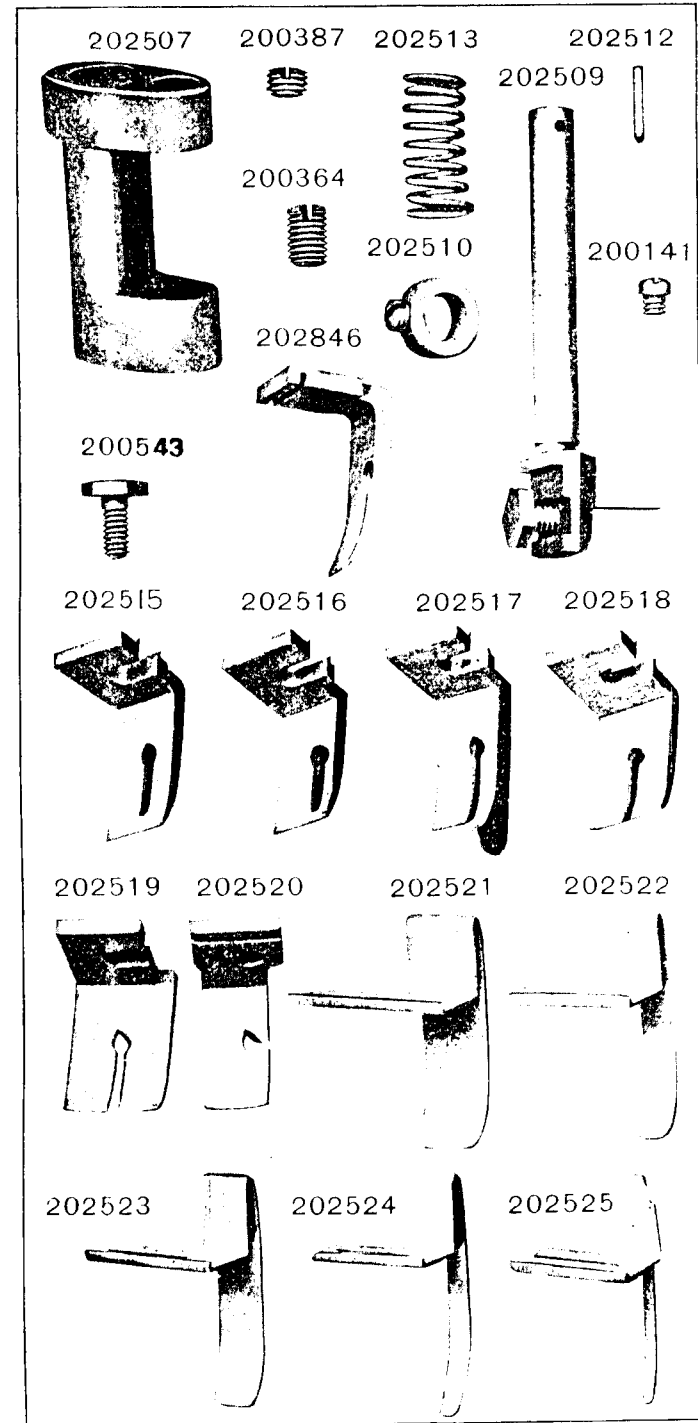


PLATE 10335—FULL SIZE

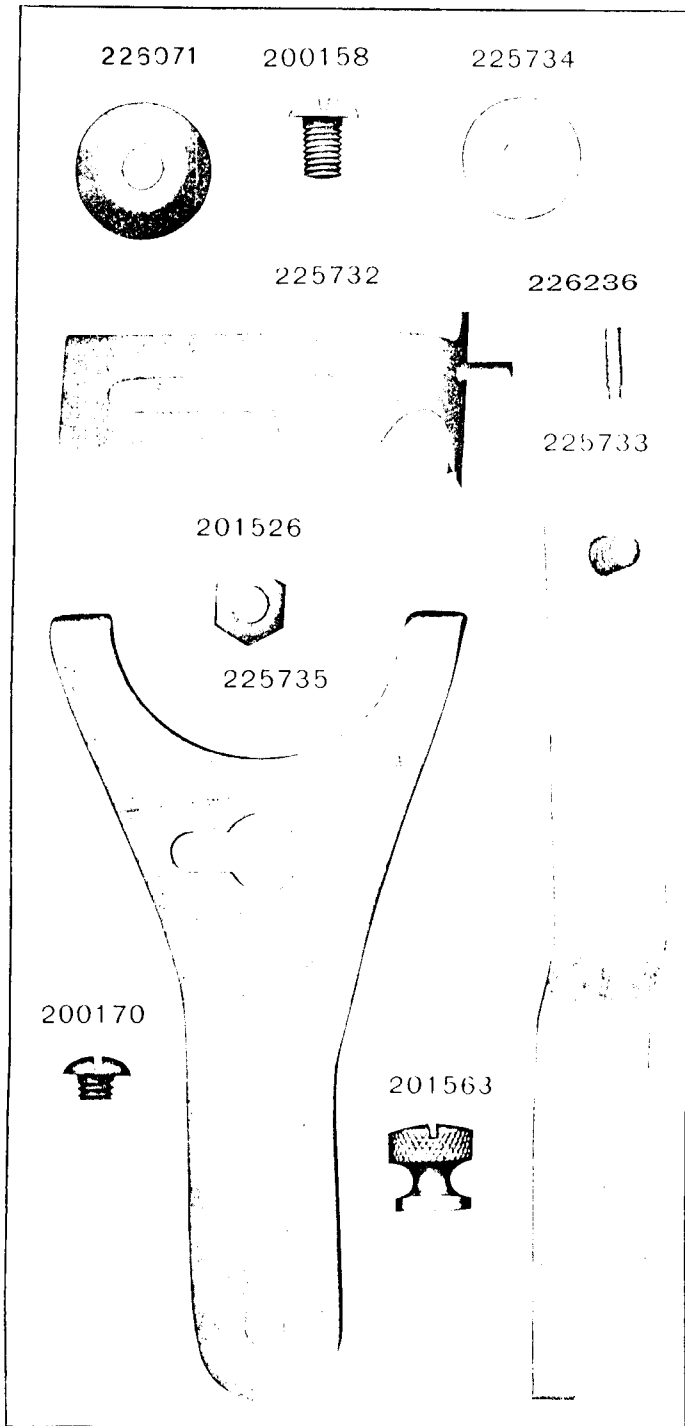


PLATE 10338—FULL SIZE

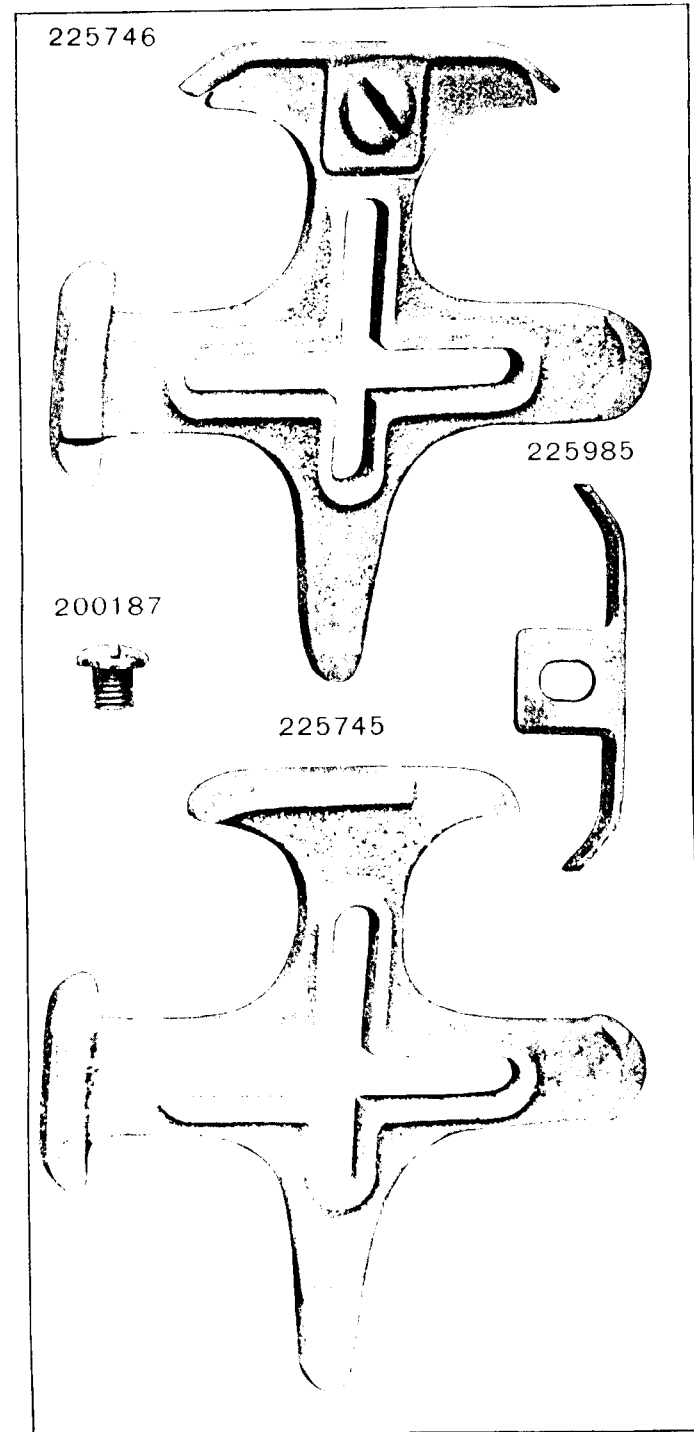


PLATE 10667 - ONE - HALF SIZE

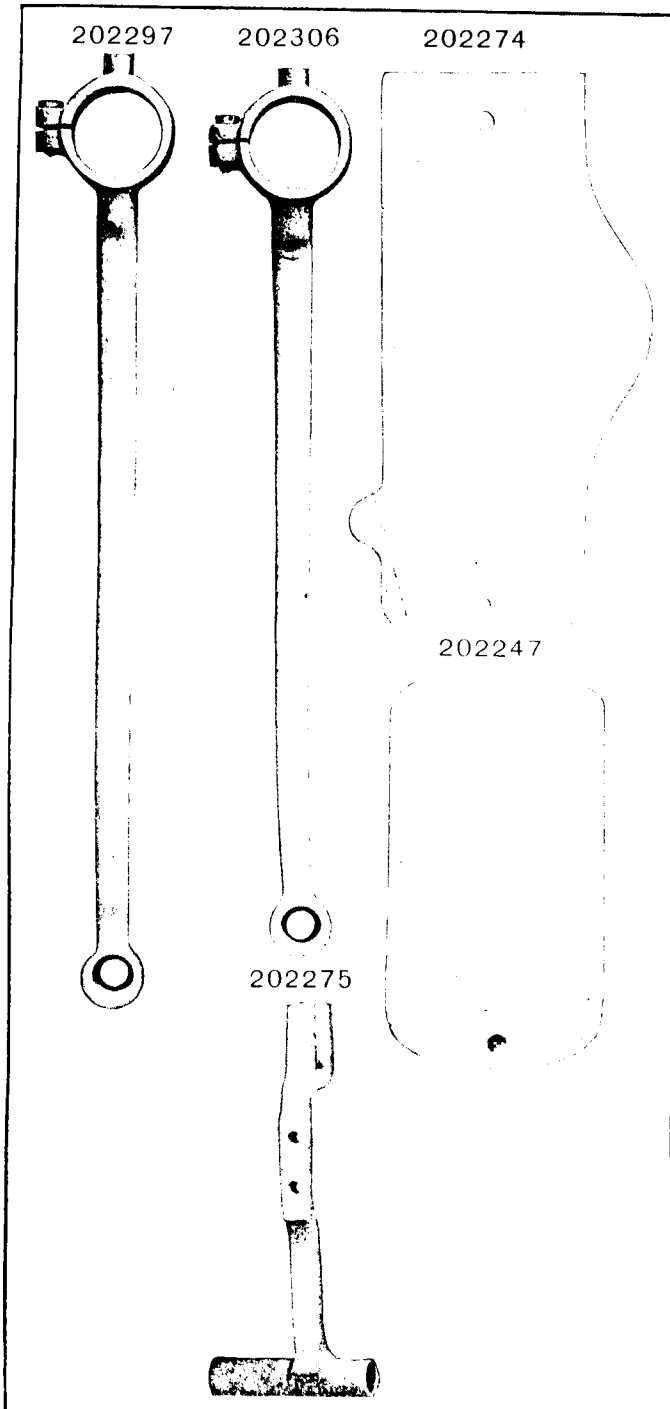


PLATE 10881 - FULL SIZE

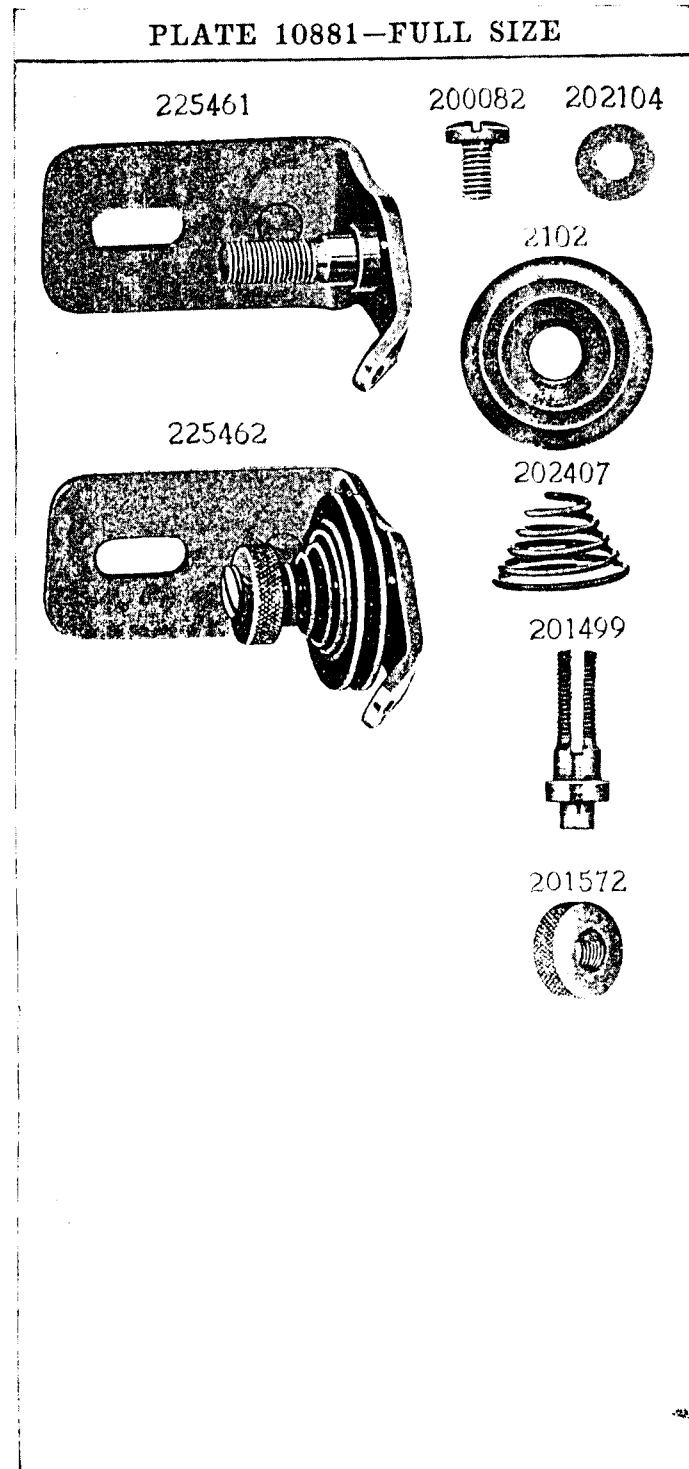




PLATE 10884—FULL SIZE

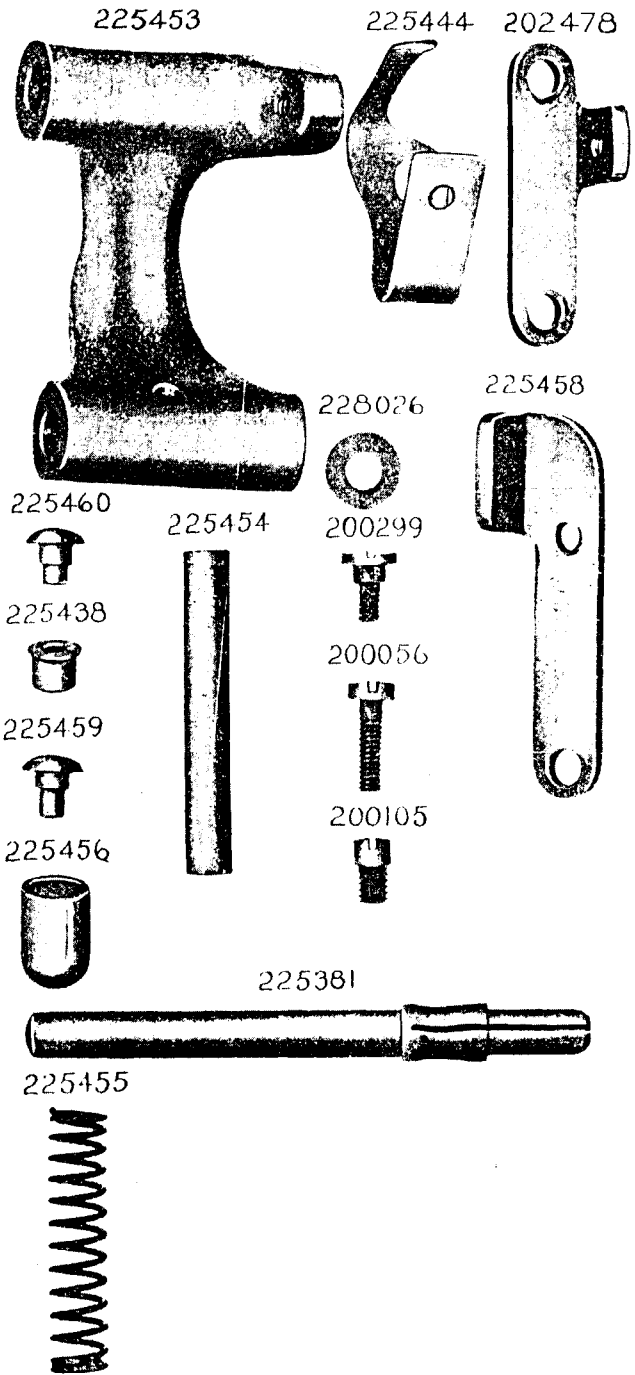


PLATE 10885—ONE-FOURTH SIZE

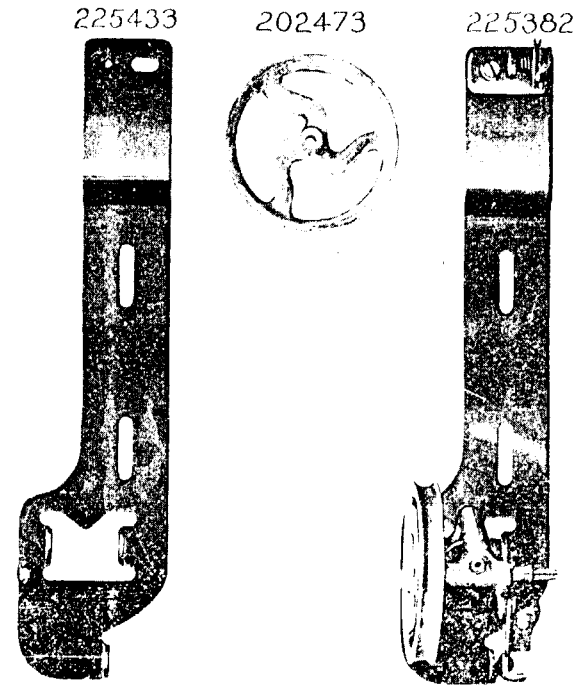


PLATE 10909 -FULL SIZE

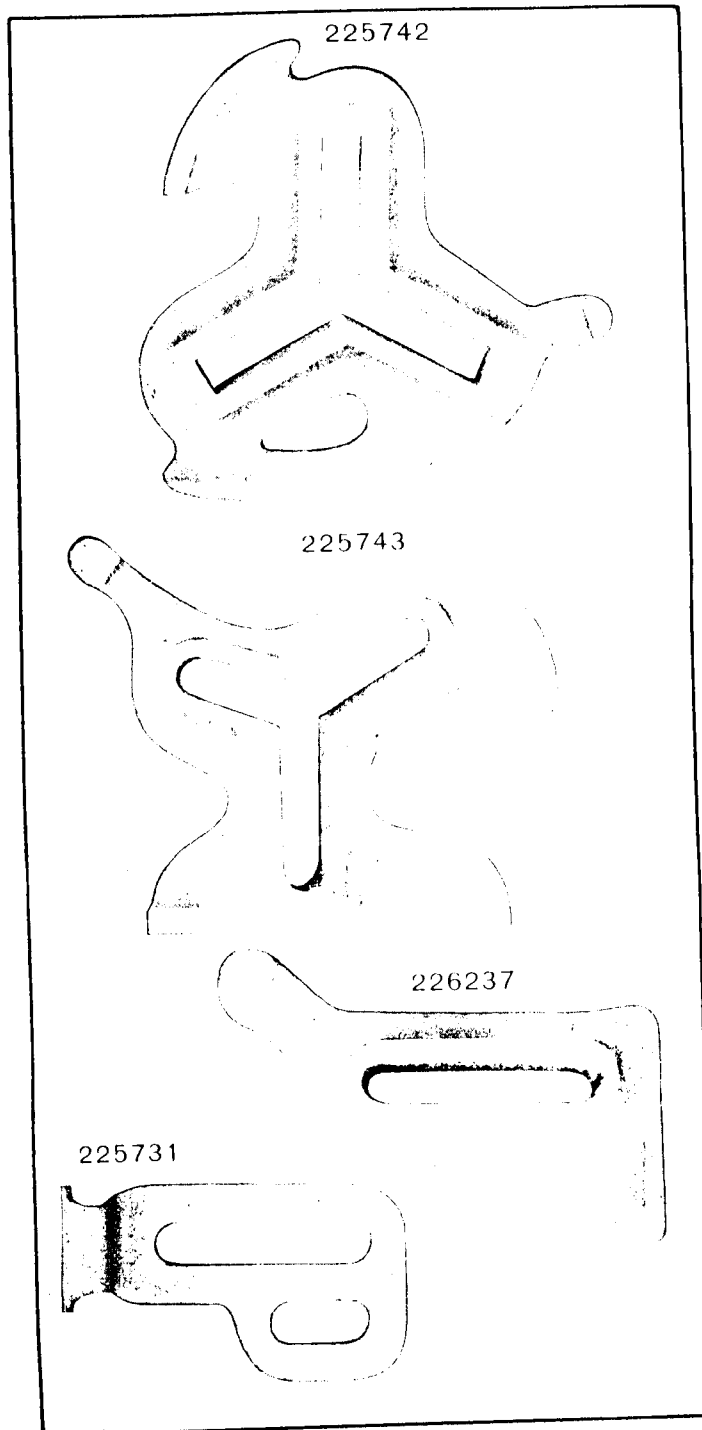


PLATE 12153 -ONE-HALF SIZE

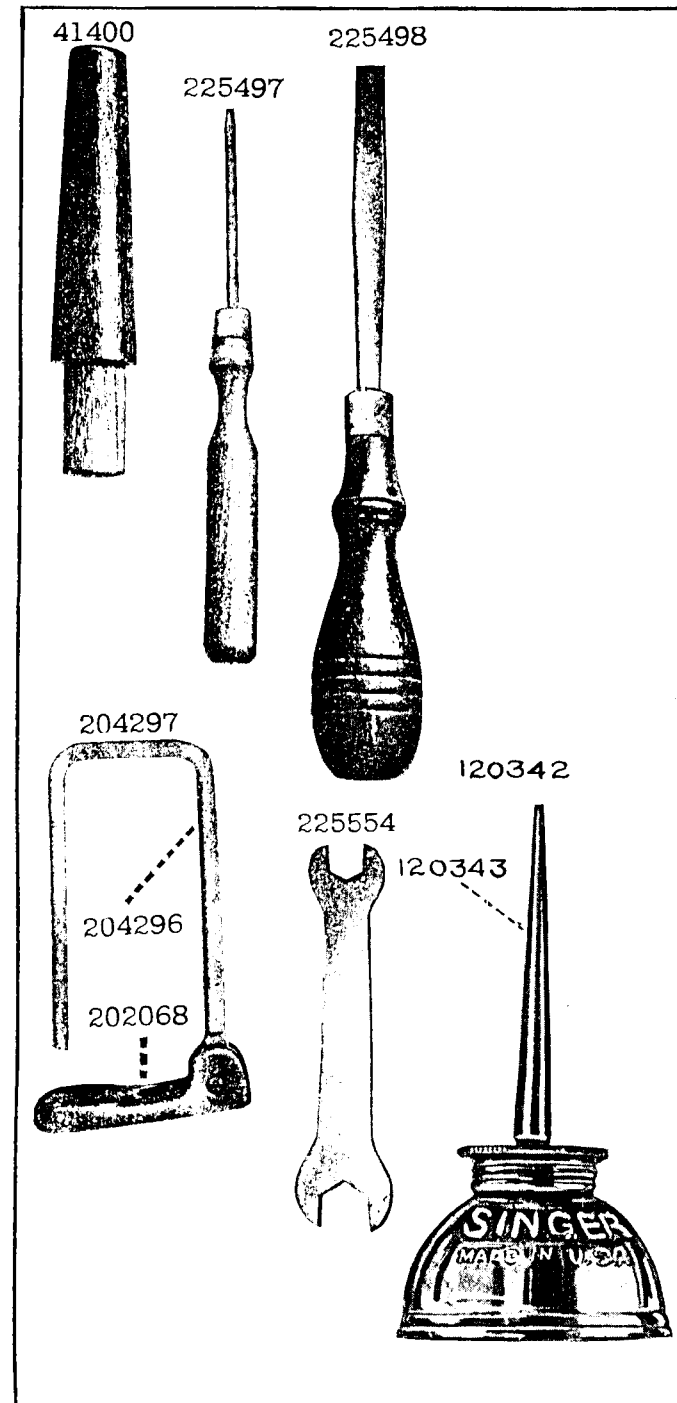


PLATE 13351-ONE-HALF SIZE

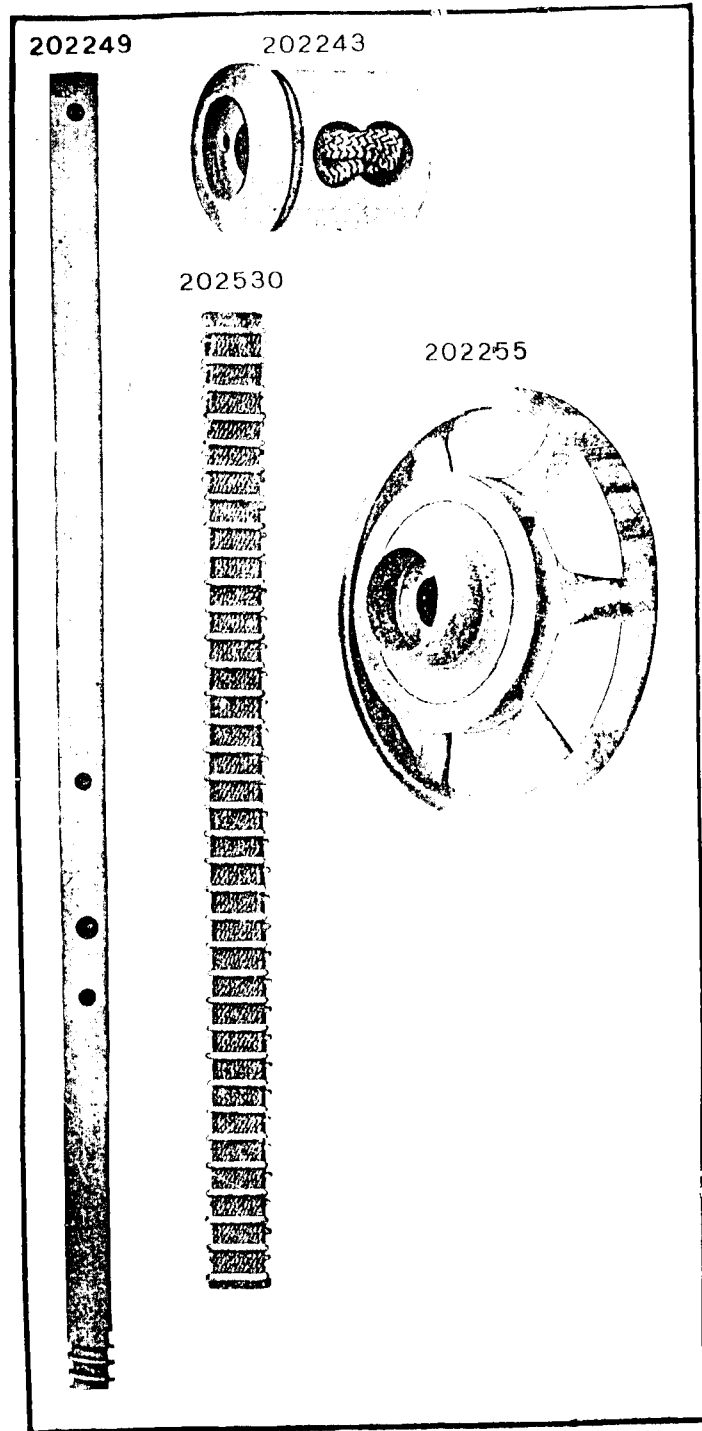


PLATE 13358-FULL SIZE

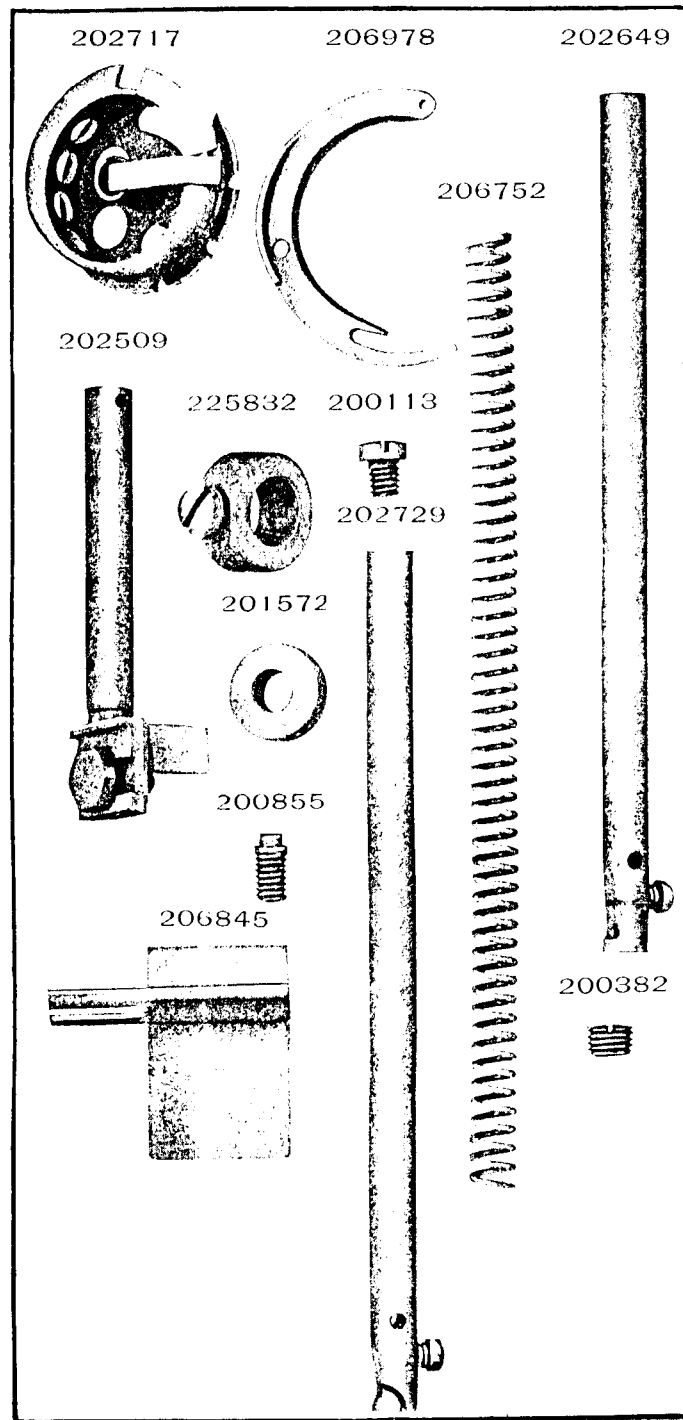


PLATE 13360-FULL SIZE

202555



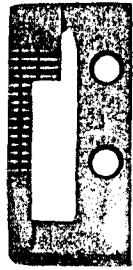
206994



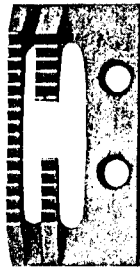
207053



207054



202279



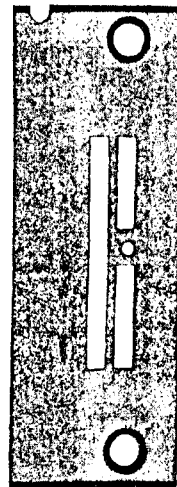
202280



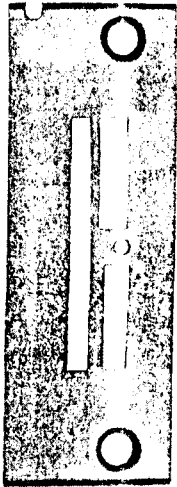
202289



203106



202814



202948



PLATE 13390-ONE-HALF SIZE

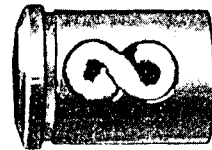
202303



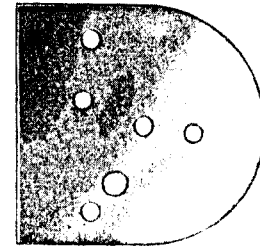
202308



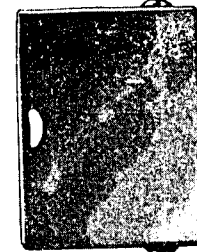
207080



207082



207083



202310



12361



PLATE 13392—FULL SIZE

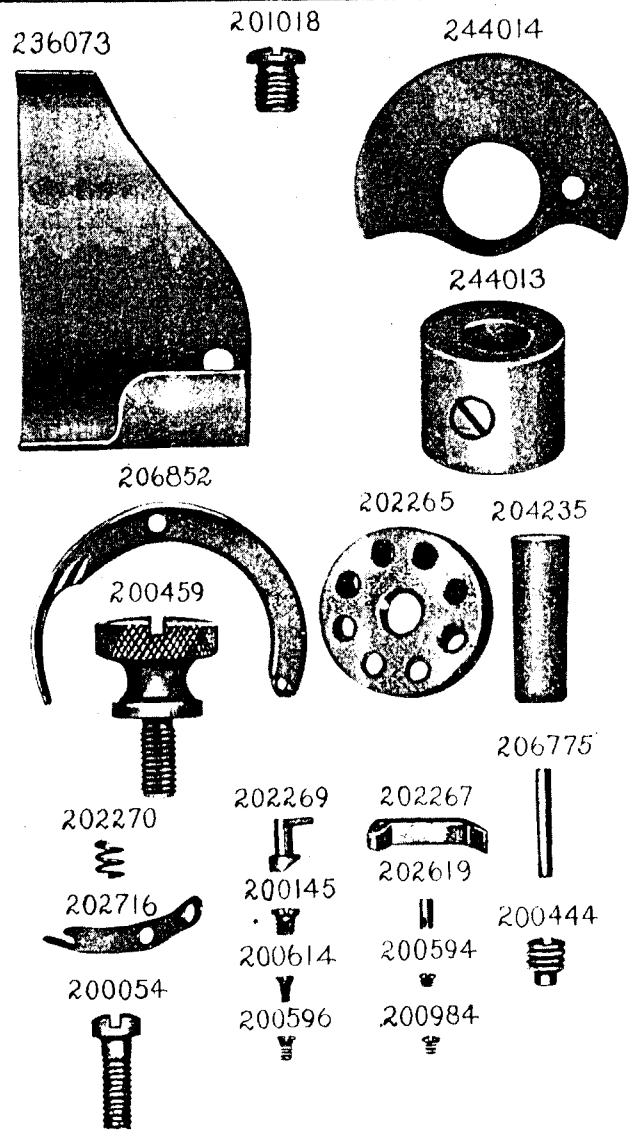


PLATE 13393—FULL SIZE

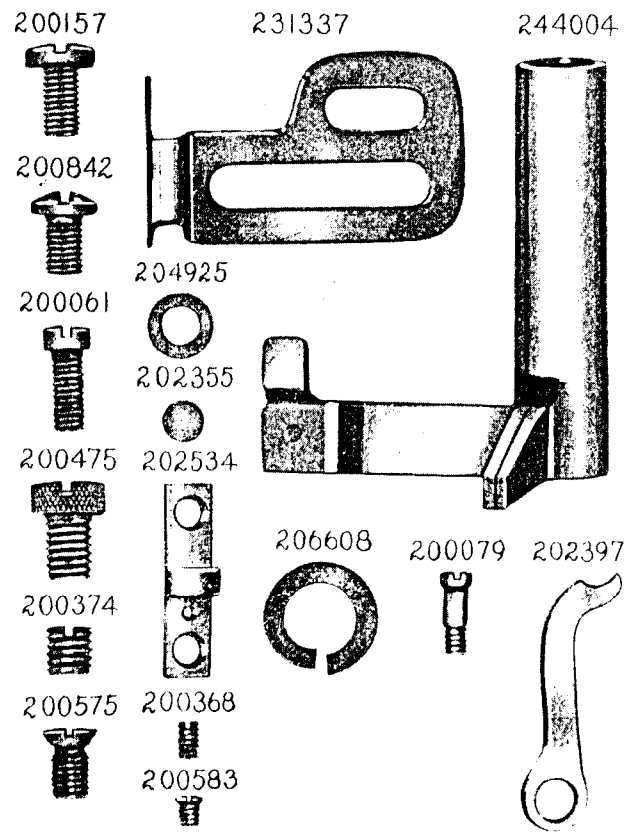


PLATE 13394—ONE-HALF SIZE

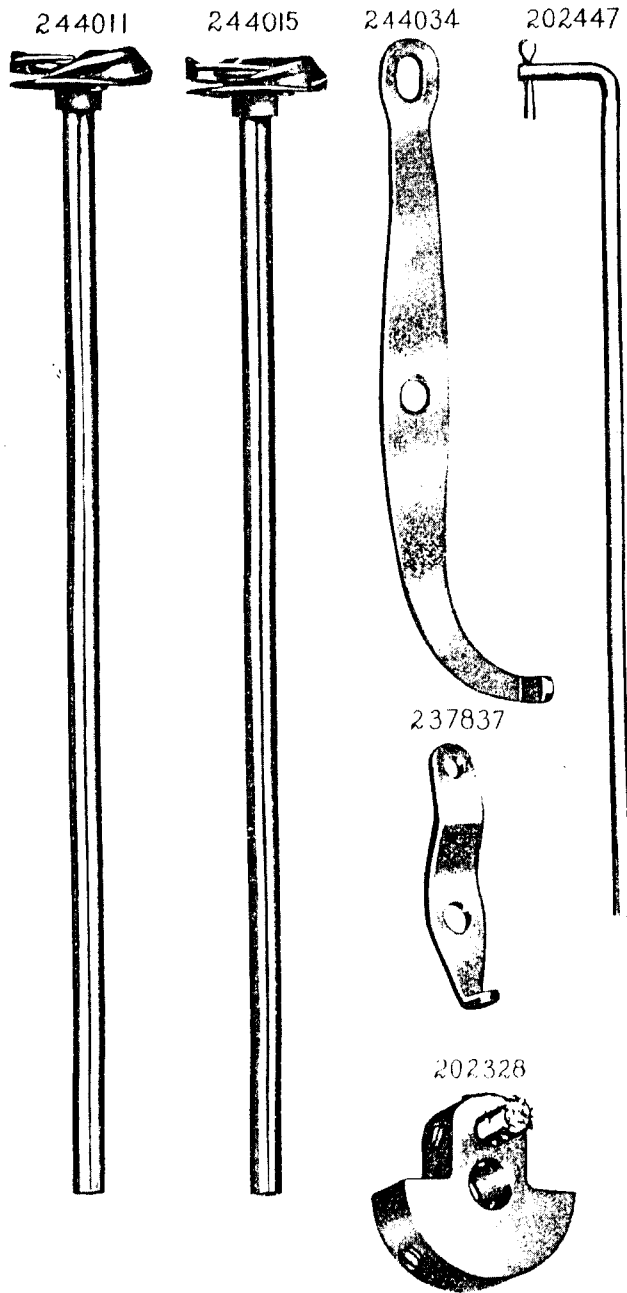


PLATE 13395—ONE-FOURTH SIZE

