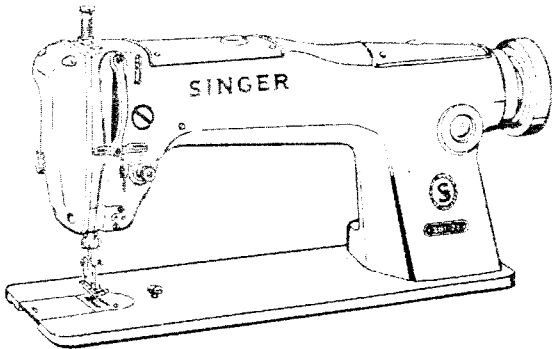
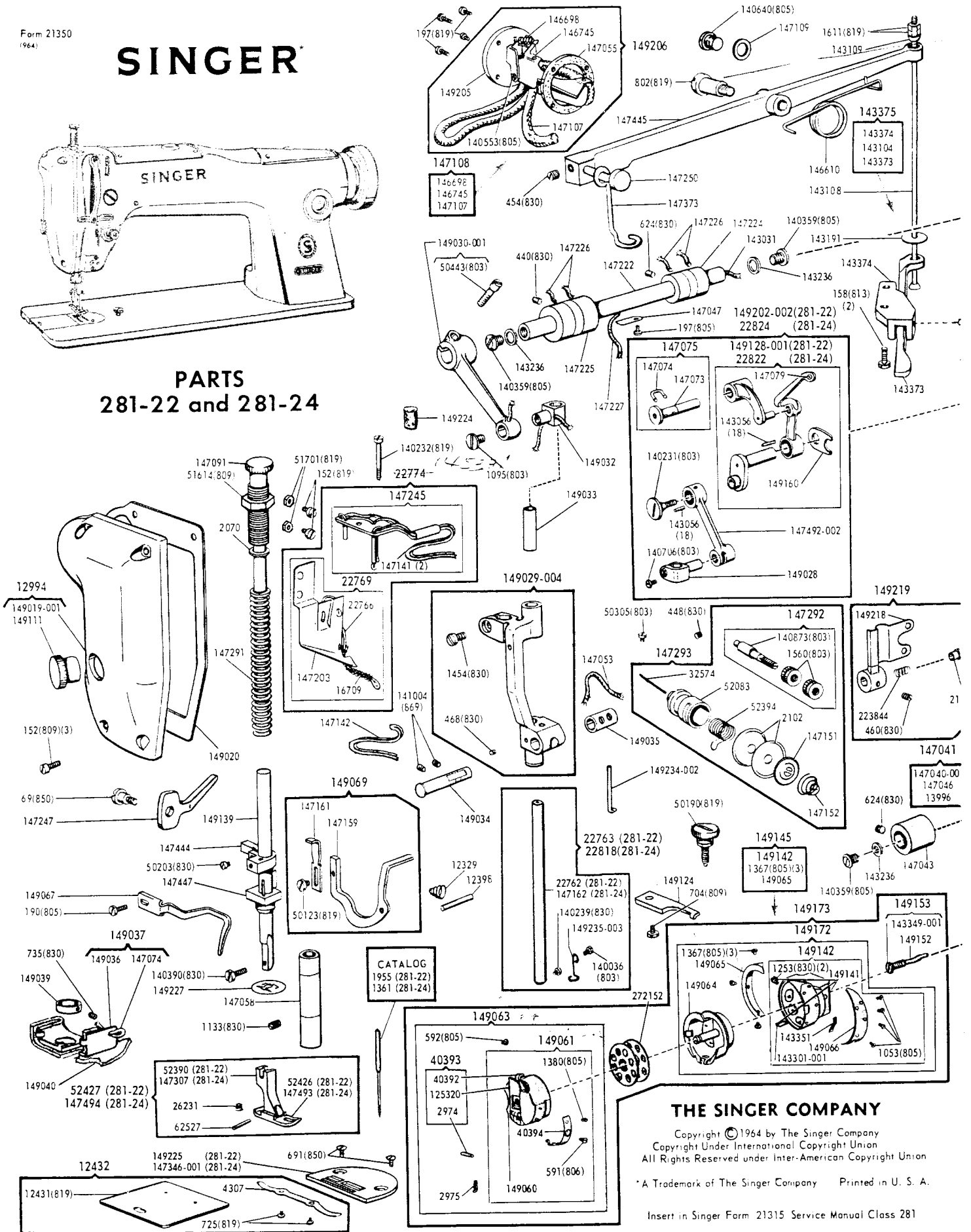


# SINGER



## PARTS 281-22 and 281-24

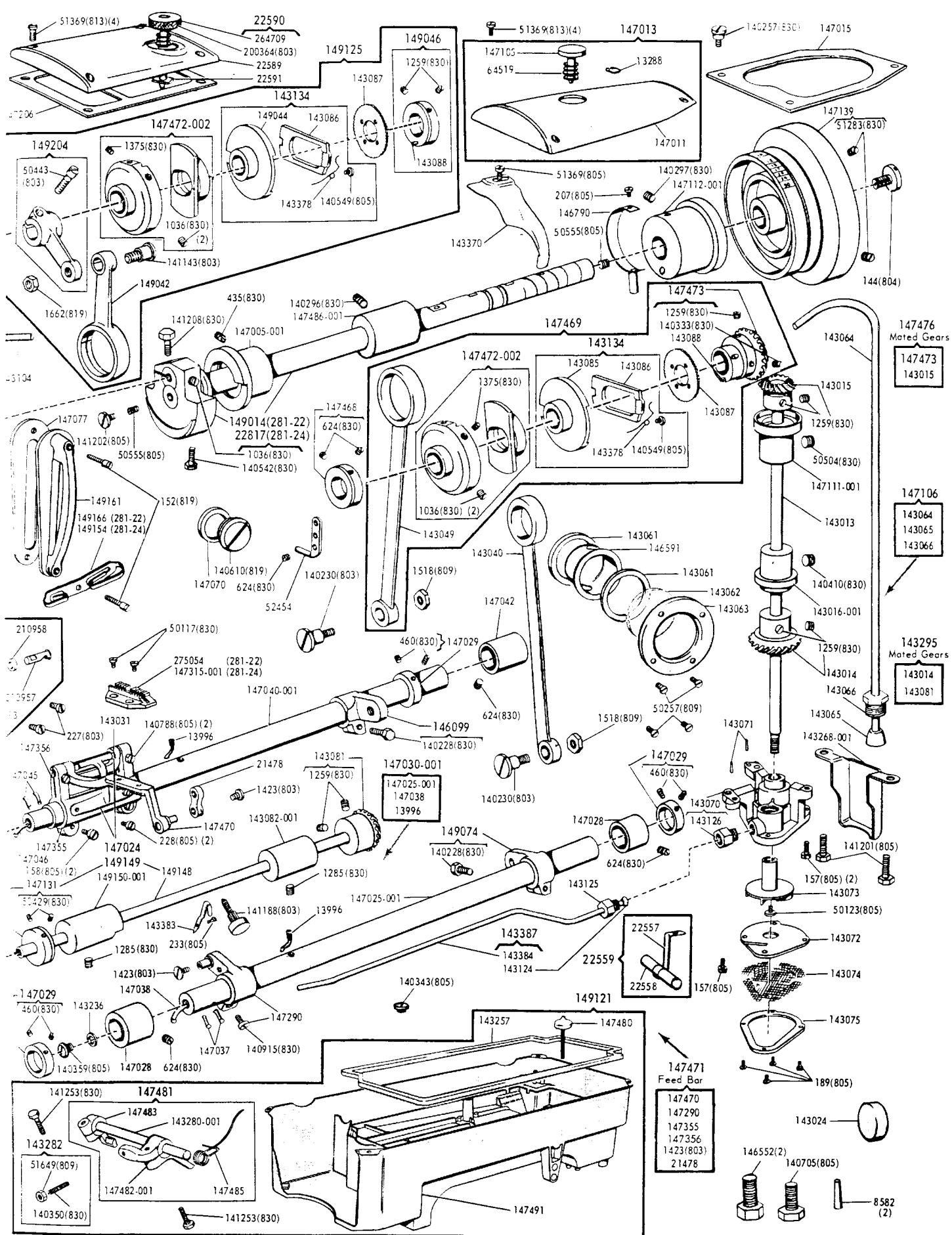


### THE SINGER COMPANY

Copyright © 1964 by The Singer Company  
Copyright Under International Copyright Union  
All Rights Reserved under Inter-American Copyright Union

A Trademark of The Singer Company Printed in U. S. A.

Insert in Singer Form 21315 Service Manual Class 281



NUMERICAL LIST OF PARTS  
MACHINES 281-22 and 281-24

NUMBER	DESCRIPTION	NUMBER	DESCRIPTION	NUMBER	DESCRIPTION
69(850)	Presser Bar Lifter Hinge Screw	624(830)	Thread Retainer Set Screw	12431(819)	Bed Slide (for Agents only)
144(804)	Arm Shaft (horizontal) Screw (back)	691(850)	Throat Plate Screw(2)	12432	Bed Slide complete, 4307, 12431(819) and two 725(819) (for Agents only)
152(819)	Arm Side Shield Screw(2)	704(809)	Rotating Hook Bobbin Case Holder Position Bracket Screw	12994	Face Plate 149019-001 with 149111
152(809)	Face Plate Screw(3)	725(819)	Bed Slide Spring Screw(2)	13288	Arm Top Cover (back) Stitch Regulator Plunger Stop Ring
152(819)	Thread Take-up Lever Guard and Thread Eyelet and Thread Guard Screw (front of Arm)	735(830)	Needle Bar Frame Oil Retainer Collar Set Screw	13996	Feed Lifting Rock Shaft Oil Wick
152(819)	Thread Take-up Lever Guard Screw (upper)	802(819)	Presser Bar Lifting Lever Hinge Screw	13996	Feed Rock Shaft Oil Wick
157(805)	Magnet Retaining Clamp and Oil Pump (centrifugal) Body Screw	1036(830)	Feed Eccentric Body Set Screw(2)	16709	Arm Side Shield Wick Spring Holder
157(805)	Oil Pump (centrifugal) Body Screw(2)	1036(830)	Needle Feed Eccentric Body Set Screw(2)	21478	Feed Bar Connecting Link Magnet
158(813)	Bell Crank Bracket Screw(2)	1036(830)	Thread Take-up Set Screw	22557	Magnet Retaining Clamp
158(805)	Feed Bar Carrier Clamping Screw(2)	1053(805)	Rotating Hook Thread Guard Screw(4)	22558	Magnet Retaining Clamp
189(805)	Oil Pump (centrifugal) Screen Frame Screw(4)	1095(803)	Needle Bar Frame Crank Connecting Stud Cap Screw	22559	22558 with 22557
190(805)	Slack Thread Regulator Screw	1133(830)	Presser Bar Bushing (lower) Set Screw	22589	Arm Top Cover (front)
197(805)	Needle Bar Frame Crank Shaft Feeder Oil Wick Clamping Plate Screw	1253(830)	Rotating Hook Set Screw(2)	22590	Plunger complete, 22589, 22591, 64519 and 264709
197(819)	Oil Removing Wick (head end) Hinge Plate and Cover Screw(4)	1259(830)	Arm Shaft (upright) Bevel Gear (lower) Set Screw(2)	22590	Arm Top Cover (front) with Stitch Regulator Plunger complete, 22589, 22591, 64519 and 264709
207(805)	Arm Shaft (horizontal) Flanged Bushing (back) Oil Sump Tube Holder Screw	1259(830)	Arm Shaft (upright) Bevel Gear (upper) Set Screw(2)	22591	Arm Top Cover (front) Stitch Regulator Plunger
227(803)	Thread Retainer (lower) Bracket and Arm Thread Shield Screw(2)	1259(830)	Feed Lifting Eccentric Set Screw	22762	Needle Bar (hollow) with 140239(830) (281-22 Machine)
228(805)	Feed Bar Carrier Oil Wick Holder Screw(2)	1259(830)	Needle Feed Stitch Regulator Locking Slide Ratchet Wheel Retaining Collar Set Screw(2)	22763	Needle Bar (hollow) complete, 22762, 140036(803) and 149235-003 (281-22 Machine)
233(805)	Rotating Hook Oil Flow Regulating Thumb Screw Spring Screw	1285(830)	Rotating Hook Shaft Bushing (back) Set Screw	22766	Arm Side Shield Wick (14-5/8 in. long)
435(830)	Arm Shaft (horizontal) Flanged Bushing (front) Set Screw	1285(830)	Rotating Hook Shaft Bushing (front) Set Screw	22769	Arm Side Shield complete, 16709, 22766 and 147203
435(830)	Thread Take-up Lever Link Hinge Stud Set Screw	1367(805)	Rotating Hook Section Screw(3)	22774	Arm Side Shield and Oil Wick Holder, 22769 and 147245
440(830)	Needle Bar Frame Crank Shaft Bushing (front) Set Screw	1375(830)	Feed Eccentric Body Position Screw	22817	Arm Shaft (horizontal) with 1036(830), 140542(830) and Crank (281-24 Machine)
448(830)	Thread Take-up Spring Regulator Set Screw	1375(830)	Needle Feed Eccentric Body Position Screw	22818	Needle Bar (hollow) complete, 140036(803), 147162 and 149235-003 (281-24 Machine)
454(830)	Presser Bar Lifting Lever Pin Set Screw	1380(805)	Rotating Hook Bobbin Case Tension Spring Screw	22822	Thread Take-up Crank with Thread Take-up Lever (for Agents only) (281-24 Machine)
460(830)	Feed Lifting Rock Shaft Collar Set Screw(4)	1423(803)	Feed Bar Connecting Link Cap Screw(2)	22824	Thread Take-up Crank and Thread Take-up Lever, complete (for Agents only)
460(830)	Feed Rock Shaft Collar Set Screw(2)	1454(830)	Needle Bar Frame Clamping Screw	26231	Presser Foot Spring
460(830)	Thread Retainer (lower) Stud Collar Set Screw	1518(809)	Feed Lifting Rock Shaft Connecting Rod Hinge Screw Nut	32574	Tension Releasing Pin
468(830)	Needle Bar Timing Indicator Set Screw	1518(809)	Feed Rock Shaft Connecting Rod Hinge Screw Nut	40392	Rotating Hook Bobbin Case Latch
591(806)	Rotating Hook Bobbin Case Tension Regulating Screw	1560(803)	Tension Regulating Thumb Nut	40393	Rotating Hook Bobbin Case Latch Hinge, 2974, 40392 and 125320 (for Agents only)
592(805)	Rotating Hook Bobbin Case Latch Stop Screw	1560(803)	Tension Regulating Thumb Nut Lock Nut	40394	Rotating Hook Bobbin Case Tension Spring
624(830)	Arm Shaft (horizontal) Thrust Collar Set Screw(2)	1611(819)	Presser Bar Lifting Lever Connecting Rod Nut	50117(830)	Feed Dog Screw(2)
624(830)	Feed Lifting Rock Shaft Bushing (back) Set Screw	1611(819)	Presser Bar Lifting Lever Connecting Rod Lock Nut	50123(805)	Oil Pump (centrifugal) Impeller Locking Screw
624(830)	Feed Lifting Rock Shaft Bushing (front) Set Screw	1662(819)	Needle Feed Eccentric Connecting Rod Hinge Screw Nut	50123(819)	Tension Releasing Lever (adjustable) Screw
624(830)	Feed Rock Shaft Bushing (back) Set Screw	Catalog		50190(809)	Guide Thumb Screw
624(830)	Feed Rock Shaft Bushing (front) Set Screw	1955	Needle (Size No. 16)	50203(830)	Presser Bar Guide Bracket Clamping Screw
624(830)	Needle Bar Frame Crank Shaft Bushing (back) Set Screw	2070	Presser Bar Spring Washer	50257(809)	Oil Flow Window Cap Screw(4)
		2102	Tension Disc(2)	50305(803)	Tension Stud Set Screw
		2974	Fulcrum Pin		
		2975	Rotating Hook Bobbin Case Latch Spring		
		4307	Bed Slide Spring		
		8582	Arm Dowel Pin(2)		
		12329	Tension Releasing Lever Spring		
		12398	Tension Releasing Lever Hinge Pin		

NUMERICAL LIST OF PARTS  
MACHINES 281-22 and 281-24

NUMBER	DESCRIPTION	NUMBER	DESCRIPTION	NUMBER	DESCRIPTION
50429(830)	Rotating Hook Shaft Oil Retaining Collar Set Screw(2)	140359(805)	Needle Bar Frame Crank Shaft Oil Plug Screw(2)	143063	Oil Flow Window Cap
50443(803)	Needle Bar Frame Crank Clamping Screw	140390(830)	Presser Foot Screw	143064	Oil Pipe
50443(803)	Needle Feed Eccentric Connecting Rod Crank Clamping Screw	140410(830)	Arm Shaft (upright) Bushing (lower) Set Screw	143065	Oil Pipe Clamping Sleeve
50504(830)	Arm Shaft (upright) Bushing (upper) Set Screw	140542(830)	Needle Bar Crank Position Screw	143066	Oil Pipe Clamping Sleeve Nut
50555(805)	Arm Shaft (horizontal) Plug Screw(2)	140549(805)	Needle Feed Stitch Regulator Locking Slide Spring Screw	143070	Oil Pump (centrifugal) Body with 143126
51283(830)	Machine Pulley Set Screw(2)	140549(805)	Stitch Regulator Locking Slide Spring Screw	143071	Oil Pump (centrifugal) Body Position Pin(2)
51369(813)	Arm Top Cover (back) Screw(4)	140553(805)	Oil Removing Wick (head end) Holder Body Hinge Screw	143072	Oil Pump (centrifugal) Cover
51369(813)	Arm Top Cover (front) Screw(4)	140610(819)	Thread Take-up Crank Clamping Screw Hole Plug Screw	143073	Oil Pump (centrifugal) Impeller
51369(805)	Oil Lead Screw	140640(805)	Arm Hole Screw Plug (back of arm)	143074	Oil Pump (centrifugal) Screen
51614(809)	Pressure Regulating Thumb Screw Lock Nut	140705(805)	Arm Screw (back)	143075	Oil Pump (centrifugal) Screen Frame
51649(809)	Knee Lifter Rock Shaft Crank Adjusting Screw Lock Nut	140706(803)	Needle Bar Connecting Stud Clamping Screw	143081	Rotating Hook Shaft Bevel Gear (left hand spiral) with two 1259(830) Note: To ensure proper functioning of Gears, 143081 will not be supplied separately to Agencies, but will be substituted by Pair of Gears 143295
51701(819)	Arm Side Shield Screw Nut(2)	140788(805)	Feed Bar Hinge Pin Clamping Screw(2)	143082-001	Rotating Hook Shaft Bushing (back)
52083	Thread Take-up Spring Regulator with 50305(803)	140873(803)	Tension Stud	143085	Stitch Regulator
52390	Presser Foot Shank (281-22 Machine)	140915(830)	Feed Lifting Rock Shaft Crank (front) Clamping Screw	143086	Stitch Regulator Locking Slide
52394	Thread Take-up Spring	141004(869)	Needle Bar Frame Hinge Stud Bushing Set Screw(2)	143086	Needle Feed Stitch Regulator Locking Slide
52425	Presser Foot Plate (281-22 Machine)	141143(803)	Needle Feed Eccentric Connecting Rod Hinge Screw	143087	Stitch Regulator Locking Slide Ratchet Wheel
52427	Presser Foot (spring hinged) complete, 26231, 52390, 52426 and 62527	141188(803)	Rotating Hook Oil Flow Regulating Thumb Screw	143087	Needle Feed Stitch Regulator Locking Slide Ratchet Wheel
52454	Thread Retainer	141201(805)	Arm and Bed Leg (back) Screw(2)	143088	Stitch Regulator Locking Slide Ratchet Wheel Pin
62527	Presser Foot Hinge Pin	141202(805)	Arm Shaft (horizontal) Screw Plug (front)	143088	Needle Feed Stitch Regulator Locking Slide Ratchet Wheel Pin
64519	Arm Top Cover (back) Stitch Regulator Plunger Spring	141208(830)	Thread Take-up Crank Clamping Screw	143104	Bell Crank Hinge Pin
64519	Arm Top Cover (front) Stitch Regulator Plunger Spring	141253(830)	Knee Lifter Rock Shaft Crank Clamping Screw	143108	Presser Bar Lifting Lever Connecting Rod and Swivel
125320	Rotating Hook Bobbin Case Latch Lever	141253(830)	Knee Lifter Rock Shaft Stop Dog Clamping Screw	143109	Presser Bar Lifting Lever Connecting Rod Swivel
140036(803)	Needle Bar Thread Guard Screw	143013	Arm Shaft (upright)	143124	Oil Pipe Clamping Sleeve
140228(830)	Feed Lifting Rock Shaft Crank (back) Clamping Screw	143014	Arm Shaft (upright) Bevel Gear (lower) with two 1259(830) Note: To ensure proper functioning of Gears, 143014 will not be furnished to Agencies, but will be substituted by Pair of Gears 143295	143125	Oil Pipe Clamping Sleeve Nut
140228(830)	Feed Rock Shaft Crank Clamping Screw	143015	Arm Shaft (upright) Bevel Gear (upper) left hand spiral with two 1259(830) Note: To ensure proper functioning of Gears, 143015 will not be furnished to Agencies, but will be substituted by Pair of Gears 147476	143126	Oil Pipe Clamping Sleeve Nut Adaptor
140230(803)	Feed Lifting Rock Shaft Connecting Rod Hinge Screw	143016-001	Arm Shaft (upright) Bushing (lower)	143134	Stitch Regulator 143085 with 140549(805), 143086 and 143378
140230(803)	Feed Rock Shaft Connecting Rod Hinge Screw	143024	Bed Hole Plug	143191	Presser Bar Lifting Lever Connecting Rod Oil Mist Retaining Disc (felt)
140231(803)	Needle Bar Connecting Link Cap Screw	143031	Needle Bar Frame Crank Shaft Oil Wick (long)	143236	Feed Lifting Rock Shaft Oil Screw Plug Washer (fiber)
140232(819)	Oil Wick Holder Screw	143031	Feed Bar Carrier Oil Wick	143236	Feed Rock Shaft Oil Screw Plug Washer (fiber)
140239(830)	Needle Set Screw	143040	Feed Lifting Rock Shaft Connecting Rod	143236	Needle Bar Frame Crank Shaft Oil Plug Screw Washer(2)
140257(830)	Feed Eccentric Stop Screw (5-1 2 stitch)	143049	Feed Rock Shaft Connecting Rod	143257	Machine Base and Oil Reservoir Gasket (cork)
140296(830)	Arm Shaft (horizontal) Bushing (center) Set Screw	143056	Needle Bar Connecting Link Roller Bearing(18)	143268-001	Bed Leg (back)
140297(830)	Arm Shaft (horizontal) Flanged Bushing (back) Set Screw	143056	Thread Take-up Lever Roller Bearing(18)	143280-001	Knee Lifter Rock Shaft
140333(830)	Feed Lifting Eccentric Position Screw	143061	Oil Flow Body Gasket(2)	143282	Knee Lifter Rock Shaft Crank Adjusting Screw 140350(803) with 51649(809)
140343(805)	Machine and Machine Base and Oil Reservoir Screw Hole Plug Screw (for Agents only)	143062	Oil Flow Window	143295	Pair of Gears for Lower Shaft 143014 and 143081 (for Agents only)
140350(803)	Knee Lifter Rock Shaft Crank Adjusting Screw				
140359(805)	Feed Lifting Rock Shaft Oil Screw Plug				
140359(805)	Feed Rock Shaft Oil Screw Plug				

NUMBER	DESCRIPTION	NUMBER	DESCRIPTION	NUMBER	DESCRIPTION
143301-001	Rotating Hook Oil Wick (felt)	147047	Needle Bar Frame Crank Shaft Feeder Oil Wick Clamping Plate	147226	Needle Bar Frame Crank Shaft Oil Wick (short)(4)
143349-001	Rotating Hook Shaft Oil Filter Wick Holder	147053	Needle Bar Frame Hinge Stud Oil Wick	147227	Needle Bar Frame Crank Shaft Feeder Oil Wick
143351	Rotating Hook Wiper	147055	Oil Removing Wick (head end) Hinge Plate and Cover Gasket	147245	Oil Wick Holder with two 147141
143370	Oil Lead	147058	Presser Bar Bushing (lower)	147247	Presser Bar Lifter
143373	Bell Crank	147070	Thread Take-up Crank Clamping Screw Hole Plug Screw Gasket	147250	Presser Bar Lifting Lever Pin
143374	Bell Crank Bracket	147073	Thread Take-up Lever Link Hinge Stud	147290	Feed Lifting Rock Shaft Crank (front) with 140915(830)
143375	Bell Crank complete, Nos. 143104, 143373 and 143374 (for Agents only)	147074	Needle Bar Connecting Stud Oil Wick	147291	Presser Bar Spring
143378	Needle Feed Stitch Regulator Locking Slide Spring	147074	Needle Bar Frame Oil Retainer Oil Wick	147292	Tension Stud 140873(803) with two 1560(803)
143378	Stitch Regulator Locking Slide Spring	147074	Thread Take-up Lever Link Hinge Stud Oil Wick	147293	Tension complete, 32574, 52083, 52394, 147151, 147152, 147292 and two 2102 (for Agents only)
143383	Rotating Hook Oil Flow Regulating Thumb Screw Spring	147074	Thread Take-up Lever Link Hinge Stud Oil Wick	147307	Presser Foot Shank (281-24 Machine)
143384	Oil Pipe for Oiling Rotating Hook Shaft (front) Bearing	147075	Thread Take-up Lever Link Hinge Stud 147073 with 147074	147315-001	Feed Dog 28 teeth (22 teeth to the inch) (281-24 Machine)
143387	Oil Pipe 143384 with 143124 for oiling Rotating Hook Shaft Front Bearing (for Agents only)	147077	Thread Take-up Lever Guard Gasket	147346-001	Throat Plate (10 stitches per inch) (281-24 Machine)
146099	Feed Rock Shaft Crank with 140228(830)	147079	Thread Take-up Lever Thread Eyelet Bushing	147355	Feed Bar Carrier with two each 158(805) and 140788(805)
146552	Arm Screw (front and intermediate)(2)	147091	Pressure Regulating Thumb Screw and Presser Bar Guide	147356	Feed Bar Hinge Pin (eccentric)
146591	Oil Flow Body	147105	Arm Top Cover (back) Stitch Regulator Plunger	147373	Presser Bar Lifting Lever Link
146610	Presser Bar Lifting Lever Spring	147106	Oil Pipe complete from Oil Pump to Arm Shaft (horizontal) Center Bearing, 143064, 143065 and 143066 (for Agents only)	147444	Presser Bar Guide Bracket with 50203(830)
146698	Oil Removing Wick (head end) Holder Body Spring	147107	Oil Removing Wick (head end)	147445	Presser Bar Lifting Lever with 454(830)
146745	Oil Removing Wick (head end) Holder Body	147108	Oil Removing Wick (head end) Holder Body 146745 with 146698 and 147107 (for Agents only)	147447	Presser Bar Lifting Bracket with pin
146790	Arm Shaft (horizontal) Flanged Bushing (back) Oil Sump Tube	147109	Arm Hole Screw Plug Gasket	147468	Arm Shaft (horizontal) Thrust Collar with two 624(830)
147005-001	Arm Shaft (horizontal) Flanged Bushing (front) with drain tube	147111-001	Arm Shaft (upright) Bushing (upper)	147469	Combination of Feed and Stitch Regulator Parts, 143015, 143040, 143049, 143087, 143134, 147472-002, 147473 and Dummy Shaft (for Agents only)
147011	Arm Top Cover (back)	147112-001	Arm Shaft (horizontal) Flanged Bushing (back) with oil plug	147470	Feed Bar
147013	Arm Top Cover (back) with Stitch Regulator Plunger complete, 13288, 64519, 147011 and 147105	147131	Rotating Hook Shaft Oil Retaining Collar with two 50429(830)	147471	Feed Bar 147470 with 21478, 147290, 147355, 147356 and two 1423(803)
147015	Arm Top Cover (back) Gasket	147139	Machine Pulley with two 51283(830)	147472-002	Feed Eccentric
147024	Feed Bar Carrier Oil Wick Holder with 143031	147141	Oil Wick, 11 in. long for oiling Take-up Lever, Take-up Lever Link, Needle Bar Connecting Link and Thread Take-up Lever Link Hinge Bearing(2)	147472-002	Needle Feed Eccentric
147025-001	Feed Lifting Rock Shaft	147142	Needle Bar Frame Oil Wick	147473	Feed Lifting Eccentric and Arm Shaft (horizontal) Bevel Gear, right hand spiral with 1259(830), 140333(830) and 143088
147028	Feed Lifting Rock Shaft Bushing (back)	147151	Tension Releasing Disc		Note: To ensure proper functioning of Gears, 147473 will not be supplied separately to Agencies, but will be substituted by Pair of Gears 147476
147028	Feed Lifting Rock Shaft Bushing (front)	147152	Tension Spring	147476	Pair of Gears for Upper Shaft 143015 and 147473 (for Agents only)
147029	Feed Lifting Rock Shaft Collar with two 460(830)(2)	147161	Tension Releasing Lever Segment	147480	Knee Lifter Bell Crank Plunger
147029	Feed Rock Shaft Collar with two 460(830)	147162	Needle Bar (hollow) with 140239(830) (281-24 Machine)	147481	Knee Lifter Rock Shaft 143280-001 with 147482-001, 147483 and 147485
147030-001	Feed Lifting Rock Shaft 147025-001 with 13996, 147038 and suitable length of No. 1229 White Lighter Wicking	147203	Arm Side Shield	147482-001	Knee Lifter Rock Shaft Crank with 140351(830) and 143282
147037	Feed Lifting Rock Shaft Oil Wick (short) (for Agents only)(2)	147206	Arm Top Cover (front) Gasket	147483	Knee Lifter Rock Shaft Stop Dog with 140351(830)
147038	Feed Lifting Rock Shaft Oil Wick (long)	147222	Needle Bar Frame Crank Shaft		
147040-001	Feed Rock Shaft	147224	Needle Bar Frame Crank Shaft Bushing (back)		
147041-001	Feed Rock Shaft 147040-001 with 13996, 147046 and suitable length of No. 1229 White Lighter Wicking	147225	Needle Bar Frame Crank Shaft Bushing (front)		
147042	Feed Rock Shaft Bushing (back)				
147043	Feed Rock Shaft Bushing (front)				

NUMBER	DESCRIPTION
147485	Knee Lifter Rock Shaft Spring
147486-001	Arm Shaft (horizontal) Bushing (center)
147491	Machine Base and Oil Reservoir
147492-002	Needle Bar Connecting Link
147493	Presser Foot Plate (281-24 Machine)
147494	Presser Foot (spring hinged) complete, 26231, 62527, 147307 and 147493 (281-24 Machine)
149014	Arm Shaft (horizontal) with 1036(830), 140542(830) and crank (281-22 Machine)
149019	Face Plate
149020	Face Plate Gasket
149028	Needle Bar Connecting Stud with 140706(803)
149029-004	Needle Bar Frame with 468(830) and 1454(830)
149030-001	Needle Bar Frame Crank with 50443(830)
149032	Needle Bar Frame Crank Connecting Stud
149033	Needle Bar Frame Crank Connecting Stud Pin
149034	Needle Bar Frame Hinge Stud
149035	Needle Bar Frame Hinge Stud Bushing
149036	Needle Bar Frame Oil Retainer
149037	Needle Bar Frame Oil Retainer 149036 with 147074
149039	Needle Bar Frame Oil Retainer Collar with 735(830)
149040	Needle Bar Frame Oil Retainer Felt Pad
149042	Needle Feed Eccentric Connecting Rod
149044	Needle Feed Stitch Regulator
149045	Feed Rock Shaft Oil Wick (short) (for Agents only)(2)
149045	Needle Feed Stitch Regulator 149044 with 140549(805), 143086 and 143378
147046	Feed Rock Shaft Oil Wick (long)
149046	Needle Feed Stitch Regulator Locking Slide Ratchet Wheel Retaining Collar with 143088 and two 1259(830)
149060	Rotating Hook Bobbin Case
149061	Rotating Hook Bobbin Case 149060 with 591(806), 1380(805) and 40394
149063	Rotating Hook Bobbin Case complete, 592(805), 2974, 2975, 40392, 125320 and 149061
149064	Rotating Hook Bobbin Case Holder
149065	Rotating Hook Section
149066	Rotating Hook Thread Guard
149067	Slack Thread Regulator
149068	Tension Releasing Lever Body
149069	Tension Releasing Lever (adjustable) 149068 with 50123(819) and 147161

NUMBER	DESCRIPTION
149074	Feed Lifting Rock Shaft Crank (back) with 140228(830)
149111	Face Plate Plug
149121	Machine Base and Oil Reservoir with Knee Lifter Rock Shaft, 143257, 143280-001, 147480, 147482-001, 147483, 147485 and 147491
149124	Rotating Hook Bobbin Case Holder Position Bracket
149125	Combination of Needle Feed and Stitch Regulator Parts, 1662(819), 141143(803), 143087, 147472-002, 149042, 149045, 149046, 149204 and Dummy Shaft
149128-001	Thread Take-up Crank with Thread Take-up Lever with 149160 and eight 143056 (for Agents only) (281-22 Machine)
149139	Presser Bar (hollow)
149141	Rotating Hook (Air Cooled) with 143301-001 Plug, retaining Disc, Plug Disc and two 1253(830)
149142	Rotating Hook (Air Cooled) 149141 with 143351, 149066 and four 1053(805)
149145	Rotating Hook (Air Cooled) 149142 with 149065 and three 1367(805) (for Agents only)
149148	Rotating Hook Shaft with 149153
149149	Rotating Hook Shaft 149148 with 147131
149150	Rotating Hook Shaft Bushing (front) with Plug
149152	Rotating Hook Shaft Oil Filter Wick
149153	Rotating Hook Shaft Oil Filter complete, 143349-001 and 149152
149154	Thread Eyelet and Thread Guard (front of arm) (281-24 Machine)
149160	Thread Take-up Crank Wearing Plate (149160-900 machined)
149161	Thread Take-up Lever Guard
149166	Thread Eyelet and Thread Guard (front of Arm) (281-22 Machine)
149172	Rotating Hook (Air Cooled) 149142 with 149064, 149065 and three 1367(805)
149173	Rotating Hook (Air Cooled) 149172 with 149063 and and 149153 (for Agents only)
149202-002	Thread Take-up Crank and Thread Take-up Lever complete, (for Agents only) (281-22 Machine)
149204	Needle Feed Eccentric Connecting Rod Crank with 50443(830)
149205	Oil Removing Wick (head end) Hinge Plate and Cover with 97-23972
149206	Oil Removing Wick (head end) Holder Body complete, 140553(805), 146698, 146745, 147055, 147107 and 149205
149218	Thread Retainer (lower) Bracket and Arm Thread Shield

NUMBER	DESCRIPTION
149219	Thread Retainer (lower) Bracket and Arm Thread Shield complete, 460(830), 149218, 210957, 210958, 210993 and 223844
149224	Oil Wick Holder Plug (felt)
149225	Throat Plate (10 stitches per inch) (281-22 Machine)
149227	Presser Bar Bushing (lower) Washer
149234-002	Needle Bar Timing Indicator
149235-003	Needle Bar Thread Guard
200364(803)	Arm Top Cover (front) Stitch Regulator Plunger Cap Set Screw
210957	Thread Retainer (lower) Stud
210958	Thread Retainer (lower) Stud Collar
210993	Thread Retainer (lower) Sleeve
223844	Thread Retainer (lower) Spring
264709	Arm Top Cover (front) Stitch Regulator Plunger Cap with 200364(803)
272152	Rotating Hook Bobbin
275054	Feed Dog, 28 teeth (22 teeth to the inch) (281-22 Machine)