

Singer 146-1

Singer 146-30

Singer 146-32

Form 19569
(141)
Printed in U. S. A.

LIST OF PARTS



MACHINES
Nos. 146-1, 146-30
and 146-32

THE SINGER MANUFACTURING COMPANY

INSTRUCTIONS FOR OILING

Apply oil to all oil holes, oil tubes and ball oilers at least twice each day when the machine is in continuous use.

Use only "Singer Oil for High Speed Sewing Machines" (Cloth and Leather) for general use, or "Singer Stainless Oil for High Speed Sewing Machines" where a stainless oil is desired.

Copyright, U. S. A., 1938, 1939 and 1941
by The Singer Manufacturing Co.
All Rights Reserved for all Countries

INDEX

	Page
Accessories.....	21
Fittings for Single Thread Chain Stitch for 146-1 Machine.....	21
Machine No. 146-1.....	5
Machine No. 146-30.....	12
Machine No. 146-32.....	15
Numerical List of Parts.....	26
Replacement Parts for Machine Balancer No. 137156.....	17
Thread Unwinder.....	22

INSTRUCTIONS FOR ORDERING

In ordering from this list, use ONLY the part NUMBER in the FIRST column.

The number stamped on a Sewing Machine Part is in every case the number of the single part only.

Every combination of parts sent out as such has its specific number, which, although not stamped on the parts, must be used when ordering the combination.

Each number always indicates the SAME PART in whatever list it appears, or for whatever machine.

The letters after some of the numbers indicate the style of finish only, as follows:

- A-Hardened, Polished, Nickel Plated and Buffed
- A.A-Buffed and Chromium Plated
- A.B-Hardened, Polished, Buffed and Chromium Plated
- A.C-Brown Baking Enamel Finish
- A.D-Gray Baking Enamel Finish
- A.E-Hardened, Bright Rumbled and Nickel Plated
- A.F-Hardened, Bright Rumbled, Nickel Plated, Bright Rumbled and Chromium Plated
- B-Polished, Nickel Plated and Buffed
- C-Hardened Only
- C.R-Hardened and Merlized
- D-Polished Only
- E-Soft, Not Polished
- F-Hardened and Polished
- F.J-Hardened, Polished and Nickel Plated
- G-Bright Rumbled and Nickel Plated
- H-Blued
- J-Nickel Plated Only
- K-Hardened and Nickel Plated
- L-Brass Plated
- M-Oxidized
- N-Japaned, Dull
- P-Japaned, Bright
- P.P-Wrinkle Finish
- R-Merlized
- S-Cadmium Plated
- T-Copper Plated
- T.A-Hardened, Polished, Copper and Nickel Plated and Buffed
- T.B-Copper and Nickel Plated and Polished
- T.J-Copper and Nickel Plated Only
- T.K-Hardened, Copper and Nickel Plated
- T.L-Copper and Brass Plated
- T.M-Copper Plated and Oxidized
- U-Zinc Plated
- V-Silver Plated
- W-Polished and Nickel Plated
- X-Black Oxide, for Iron and Steel
- X.C-Hardened and Black Oxide, for Iron or Steel
- Y-Black Nickel Plated Only
- Z-Chromium Plated
- Z.A-Hardened, Polished, Nickel Plated, Buffed and Chromium Plated
- Z.B-Polished, Nickel Plated, Buffed and Chromium Plated
- Z.C-Hardened and Chromium Plated
- Z.D-Polished and Chromium Plated
- Z.G-Bright Rumbled, Nickel Plated, Bright Rumbled and Chromium Plated
- Z.J-Nickel and Chromium Plated
- Z.T-Copper and Chromium Plated

These letters MUST BE USED when they appear in the list; and AFTER the number as in the list.

In this series:
 1 to 1500, 50001 to 51500 and 140001 to 142000 are Screw Numbers
 1501 to 1800 and 51501 to 51800 are Nut Numbers
 1801 to 2000 and 51801 to 52000 are Roller Numbers
 2001 to 50000 and 52001 to 140000 and 142001 to 190000 are Sewing Machine Parts, 190001 and upward are numbers of Electrical Parts.

The figures in the second column refer only to the plates, illustrating the parts, and are NOT TO BE USED in ordering.

Parts marked with an asterisk (*) are furnished only when repairs are made at factory.

**LIST OF PARTS COMPLETE
 FOR
 MACHINE No. 146-1
 MACHINE HEAD ONLY.**

For Light and Medium Weight Bags. Maximum stitch 4 to the inch. Clearance under presser foot 5/16 inch.

No.	Plate	Name
*124170	-----	Arm, upper and lower (solid) with 15404 and two 15405.....
17669	21519	Arm Oil Tube, for intermediate bearing..
17670	21519	" " " " lower bearing.....
58030	21520	" " " with 52150 and 54897, for oiling 58033.....
54897	21520	Arm Oil Tube Oil Cup.....
52150	21520	" " " Packing (wick).....
49156	21519	" Rock Shaft.....
49004	21519	" " " Bushing (intermediate)...
448C	21519	" " " " " Set Screw.....
49003	21519	Arm Rock Shaft Bushing (upper).....
446C	21519	" " " " " Set Screw
17671	21519	" " " " Collar with two 443C.....
443C	21519	Arm Rock Shaft Bushing Collar Set Screw (2).....
49262	21519	Arm Rock Shaft Bushing Crank (lower) with 50282E and 50457C.....
50282E	21519	Arm Rock Shaft Bushing Crank (lower) Position Screw.....
50457C	21519	Arm Rock Shaft Bushing Crank (lower) Set Screw.....
49261	21519	Arm Rock Shaft Bushing Crank (upper) with 50282E and 50457C.....
50282E	21519	Arm Rock Shaft Bushing Crank (upper) Position Screw.....
50457C	21519	Arm Rock Shaft Bushing Crank (upper) Set Screw.....

PARTS FOR MACHINE No. 146-1

No.	Plate	Name
49005	21519	Arm Rock Shaft Flanged Bushing (lower)..
430C	21519	" " " " " " " " Set Screw.....
49084	21519	Arm Rock Shaft Oil Cover.....
193J	21519	" " " " " " " " Screw.....
17672	21520	" Rotary Shaft.....
58059	-----	" " " " 17672 with 58033.....
58031	21520	" " " " Bushing (lower).....
17674	21520	" " " " " " " " Cap....
435C	21520	" " " " " " " " Set Screw
58032	21520	" " " " Flanged Bushing (intermediate).....
17675	21520	Arm Rotary Shaft Flanged Bushing (intermediate) Oil Hole Plug.....
446C	21520	Arm Rotary Shaft Flanged Bushing (intermediate) Set Screw.....
49012	21520	Arm Rotary Shaft Flanged Bushing (upper) with 49013 and 49093.....
49093	21520	Arm Rotary Shaft Flanged Bushing (upper) Oil Pad (long) braided cotton.....
49013	21520	Arm Rotary Shaft Flanged Bushing (upper) Oil Pad (short) braided cotton.....
159F	21520	Arm Rotary Shaft Flanged Bushing (upper) Screw (3).....
449C	21520	Arm Rotary Shaft Lower Bearing Oil Hole Plug Screw.....
144D	21520	Arm Rotary Shaft Screw.....
17676	21521	" Side Cover (left).....
2269	21521	" " " " " Stop Pin.....
51224W	21521	" " " " " Thumb Screw.....
17677	21521	" " " " (right).....
2269	21521	" " " " " Stop Pin.....
51224W	21521	" " " " " Thumb Screw.....
124001	21520	Balance Wheel and Pulley (tight) 2 7/8 in. diam., with two 430C.....
430C	21520	Balance Wheel and Pulley (tight) Set Screw (2).....
17679	21520	Balance Wheel and Pulley (tight) Washer.....
58023	21521	Cloth Plate.....
58024	21521	Cloth Plate complete, Nos. 49054, 58001, 58002, 58023 and two 226J.....
128D	21521	Cloth Plate Screw (lower).....
159F	21521	" " " " (upper).....
58033	21520	Crank Connecting Rod with 896E, 49109 and two 145E.....
896E	21520	Crank Connecting Rod Adjusting Screw.....
49109	21520	" " " " " Washer...
145E	21520	" " " " " Cap Screw (2).....
50244C	21520	" " " " " Hinge Screw.....
1513J	21520	" " " " " Nut....

PARTS FOR MACHINE No. 146-1

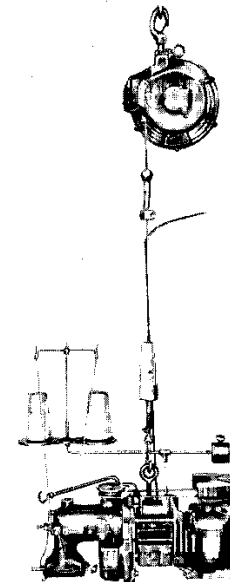
No.	Plate	Name
49020	21521	Face Plate.....
193F	21521	" " " " " " " " Screw (3).....
17683	21522	Feed Bar with 220J and 457C.....
17684	21522	" " " " " " " " Hinge Pin.....
457C	21522	" " " " " " " " Set Screw.....
17685	21520	" Connecting Rod with 2653, 4784 and two 896E.....
896E	21520	Feed Connecting Rod Cap Screw (2).....
4784	21520	" " " " " " " " Oil Pad (felt).....
2653	21520	" " " " " " " " Pin.....
17686	21526	" Dog, 14 teeth (10 teeth to the inch) for 58025 and 58028.....
172C	21526	Feed Dog Screw.....
220J	21522	" " " " " " " " Stop Screw.....
17687	21520	" Eccentric with two 1259C.....
1259C	21520	" " " " " " " " Set Screw (2).....
17688	21520	" Lifting Eccentric with two 1259C...
58054	21520	" " " " " " " " Connection with 457C, 2653, 4784 and two 1057E.....
1057E	21520	Feed Lifting Eccentric Connection Cap Screw (2).....
49030	21522	Feed Lifting Eccentric Connection Hinge Pin.....
457C	21520	Feed Lifting Eccentric Connection Hinge Pin Set Screw.....
4784	21520	Feed Lifting Eccentric Connection Oil Pad (felt).....
2653	21520	Feed Lifting Eccentric Connection Oil Pad Pin.....
1259C	21520	Feed Lifting Eccentric Set Screw (2)....
50245C	21522	" Regulating Screw Stud.....
1731C	21522	" " " " " " " " Nut.....
17690	21522	" " " " " " " " Sleeve.....
12000	21522	" " " " " " " " Stop Pin.....
49033	21522	" Rock Shaft.....
124228	-----	Feed Rock Shaft complete, Nos. 49033 and 124227.....
124227	21522	Feed Rock Shaft Crank with 12000 and two 1177E.....
1177E	21522	Feed Rock Shaft Crank Clamping Screw (2)
17693	21522	" " " " " " " " Hinge Pin.....
1508J	21522	" " " " " " " " Nut.....
622C	21522	" " " " " " " " Screw Bearing.
1508J	21522	" " " " " " " " " " " "
		Nut.....
27398	21522	Feed Rock Shaft Washer (2).....
49036	21526	Looper with 590J and 49080.....
17694	21522	" Bell Crank.....
49039	21522	" " " " " " " " Hinge Stud.....
448C	21522	" " " " " " " " Set Screw..

No.	Plate	Name
49059	21523	Presser Bar.....
49060	21523	" " Bushing (back).....
435C	21523	" " " " Set Screw....
49061	21523	" " " " (front).....
1133E	21523	" " " " Set Screw...
58046	21523	" " Lifter.....
212D	21523	" " " Cap Screw.....
58047	21523	" " " Hinge Stud.....
453C	21523	" " " " Set Screw.
49065	21523	" " Lifting Bracket with 453C and 892F.....
892F	21523	Presser Bar Lifting Bracket Adjusting Screw.....
453C	21523	Presser Bar Lifting Bracket Set Screw...
58048	21523	" " " Link.....
212D	21523	" " " Cap Screw.....
1253C	21523	" " " Hinge Screw Stud.....
58049	21523	Presser Bar Lifting Link Spring.....
1241E	21523	" " " " Screw Stud
49067	21524	" " Spring (flat).....
3846B	21524	" " " Stud.....
137088	21526	" Foot Finger Guard.....
227J	21526	" " " Screw.....
58004	21526	" " Plate.....
50087J	21526	" " " Hinge Screw.....
58005	21526	" " Shank.....
137089	21526	" Toe with 227J, 906C and 137088.....
58007	21526	Presser Foot Toe Hinge Stud.....
906C	21526	" " " " Set Screw...
58008	21526	" " " Spring.....
137090	21526	Presser Foot (hinged) complete, Nos. 50087J, 58004, 58005, 58007, 58008 and 137089.....
176J	21526	Presser Foot Screw.....
574W	21524	Pressure Regulating Thumb Screw.....
1539W	21524	" " " Lock Nut
137131	21520	Pulley (loose) 2 7/8 in. diam., with 200584D.....
137132	-----	Pulley (loose) 137131 with 68714.....
137136	-----	" " 137132 with 137133.....
68714	21520	" " Ball Bearing.....
200584D	21520	" " Oil Plug Screw.....
137133	21520	" " Spacing Collar.....
137130	21520	Pulleys (ball bearing) complete, Nos. 124001 and 137136.....
2102	21524	Tension (looper thread) Disc (2).....
1560C	21524	" " " Regulating Thumb Nut.....

No.	Plate	Name
1110C	21524	Tension (looper thread) Screw Stud.....
20972	-----	" " " " " 1110C with 1560C.....
10148	21524	Tension (looper thread) Spring.....
49220	21524	" " " Thread Guide....
2102	21524	" (needle thread) Disc (2).....
1560C	21524	" " " Regulating Thumb Nut.....
1110C	21524	Tension (needle thread) Screw Stud.....
20972	-----	" " " " " 1110C with 1560C.....
13710	21524	Tension (needle thread) Spring.....
49220	21524	" " " Thread Guide....
58010	21525	Thread Cutting Blade (inside) with 1933.
58011	21525	" " " (outside) with 1933
50247C	21525	" " " Hinge Screw.....
1732H	21525	" " " Nut....
1933	21525	" " " Roller and Stud (2)
17622	21525	" " " Spring.....
124256	21525	" " Lever.....
58012	-----	" " 124256 with 58013 and two 161J.....
58013	21525	Thread Cutting Lever Extension for 58012
124257	21525	" " " " " 124258
124258	21525	" " " " " 124257 with 13375.....
161J	21525	Thread Cutting Lever Extension Screw (2)
13375	21525	" " " " Handle (wood).....
124171	21525	Thread Cutting Lever Hinge Stud.....
448C	21525	" " " " " Set Screw
58014	21525	" " " Plate.....
172C	21525	" " " " Screw.....
19510	21525	" " " Spring.....
170J	21525	" " " " Screw Stud..
49071	21522	" (looper) Eyelet.....
172C	21522	" " " Screw.....
49072	21522	" " Take-up.....
190J	21522	" " " Screw.....
49073	21524	" (needle) Controller.....
974F	21524	" " " Hinge Screw..
914F	21524	" " " Screw.....
39541	21524	" " " Washer.
49075	21523	" " Take-up with 457C.....
457C	21523	" " " Set Screw.....
58025	21526	Throat Plate (large needle hole) for 17686.....
58028	-----	Throat Plate (small needle hole) for 17686.....
140150F	21526	Throat Plate Screw (large).....
402F	21526	" " " (small).....
*15404	-----	Trade Mark.....
15405	-----	" " Rivet (2).....

PARTS FOR MACHINE No. 146-30

No.	Plate	Name
137127	21528	Machine Counterbalance Cable Retaining Arm (left and right) with 350C (2)..
350C	21528	Machine Counterbalance Cable Retaining Arm Set Screw (2).....
124270	21528	Machine Counterbalance Cable Sheave.....
898622	21528	" " " " Grease Cup.....
124271	21528	Machine Counterbalance Cable Sheave Hanger with 344C and 51287C.....
124272	-----	Machine Counterbalance Cable Sheave Hanger 124271 with 1672R, 124289 and 124290.....
124287	-----	Machine Counterbalance Cable Sheave Hanger 124272 with 124270, 124275, 137128, 898622 and two 137127.....
124289	21528	Machine Counterbalance Cable Sheave Hanger Eyebolt.....
1672R	21528	Machine Counterbalance Cable Sheave Hanger Eyebolt Nut.....
124290	21528	Machine Counterbalance Cable Sheave Hanger Eyebolt Nut Lock Washer.....
344C	21528	Machine Counterbalance Cable Sheave Hanger Eyebolt Set Screw.....
137128	21528	Machine Counterbalance Cable Sheave Hinge Pin.....
51287C	21528	Machine Counterbalance Cable Sheave Hinge Pin Set Screw.....
124275	21528	Machine Counterbalance Cable Sheave Roller Bearing.....
124276	21528	Machine Counterbalance Eyebolt.....
-----	-----	" " Weight Equalizer (10 lbs.).....
Note: When ordering Weight Equalizer, amount required must be stated in lbs. or ozs.		
50340R	21529	Machine Screw (long) to fasten machine to bracket (3).....
9281	21529	Machine Screw (long) Washer (3).....
115E	21529	" " (short) to fasten machine to bracket.....
876088	21529	Switch Box Plate.....
327R	21529	" " " Screw (2).....
333R	21529	" " " Screw (2).....



MACHINE No. 146-32

For Overhead Suspension. Machine Head 146-1 and Series 38, 1/4 H.P. Dust-Proof Electric Transmitter Motor with a Dust-Proof Switch, bolted to a bracket suspended by a cable with a spring balancing device which permits moving the machine head up or down to accommodate bags of any height.

NOTE: ORDER MUST STATE THE NUMBER OF THE MOTOR REQUIRED SO THAT CORRECT VOLTAGE, CYCLES AND PHASE CAN BE FURNISHED.

No.	Plate	Name
137156	21530A	Machine Balancer with 137158.....
137235	21531	" " Auxiliary Cable.....
124268	21531	" " " " Clamp, size 3/8 in. (2).....
137236	21531	Machine Balancer Auxiliary Cable complete, Nos. 137235 and two 124268...
124293	21529	Machine Balancer Cable Hook Eyebolt.....

No.	Plate	Name
124294	21529	Machine Balancer Cable Hook Eyebolt Bracket.....
50706R	21529	Machine Balancer Cable Hook Eyebolt Bracket Bolt.....
1795R	21529	Machine Balancer Cable Hook Eyebolt Bracket Bolt Nut.....
1672R	21529	Machine Balancer Cable Hook Eyebolt Lock Nut.....
51617R	21529	Machine Balancer Cable Hook Eyebolt Nut.
9082	21529	" " " " " " " " Cotter Pin.....

REPLACEMENT PARTS FOR MACHINE BALANCER No. 137156

CAUTION: DO NOT ORDER PARTS BY THOR
BALANCER SYMBOL WHICH IS STAMPED
ON THE PART. ORDER ONLY BY
SINGER PART NO.

Singer Part No.	Thor Balancer Symbol	Plate	Name
137159	20206	21531	Cable.....
145021	20150	21530B	Cable Clamp complete.....
137239	20156	21530B	" Collar.....
145022	20139	21530A	" Drum.....
137248	64154	21530A	" " Brake (fibre).....
145023	64153	21530B	" " Housing.....
50674E	25242	21530B	" " " " Screw (2).....
1515E	20035	21530B	" " " " Nut (2).
67425	20013	21530B	" " " " " " " " Washer (2).....
137249	64155	21530A	Cable Drum Brake Tension Spring.....
140339C	20174	21530A	" " " " " " Screw..
137250	66487	21530A	" " " " Cover.....
140355E	61433	21530A	" " " " Screw (4).....
67425	20013	21530A	" " " " Lock Washer (4).
145024	60663	21530A	" " " " Shaft.....
145001	20152	21530A	" " " " Adjusting Wheel.....
145025	20161	21530A	" " " " " " Cover
140356E	58646	21530A	" " " " " " " " Screw (3).....
67425	20013	21530A	Cable Drum Shaft Adjusting Wheel Cover Screw Lock Washer (3).....
145026	35827	21530A	Cable Drum Shaft Adjusting Wheel Key...
145002	2060	21530A	" " " " " " Thrust Bearing.....
145003	20158	21530A	Cable Drum Shaft Adjusting Wheel Thrust Washer.....
145004	20151	21530A	Cable Drum Shaft Bearing (2).....
137240	58658	21530B	" Guide Roller.....
137241	58657	21530B	" " " " Bracket.....
140338C	58661	21530B	" " " " " " Adjusting Screw (2).....
1515E	20035	21530B	Cable Guide Roller Bracket Adjusting Screw Nut (2).....
67425	20013	21530B	Cable Guide Roller Bracket Adjusting Screw Washer (2).....
140337E	58660	21530B	Cable Guide Roller Bracket Cap Screw...

REPLACEMENT PARTS FOR MACHINE BALANCER NO. 137156

Singer Part No.	Thor Balancer Symbol	Plate	Name
126846	15051	21530B	Cable Guide Roller Bracket Cap Screw Lock Washer.....
137242	58659	21530B	Cable Guide Roller Pin.....
137243	58663	21530B	Cable Guide Roller with Bracket complete, Nos. 137240 to 137242.....
145027	58650	21530B	Cable Hook.....
137244	58653	21530B	Protecting Hose and Bumper (2)...
137245	60671	21530B	" " " " Stop..
137246	64151	21530A	" " Stop Cam.....
145018	20176	21530A	" " Bushing.....
145020	64152	21530A	" " Plunger.....
137247	64150	21530A	" " Spring.....
140338C	50371	21530A	" " Adjusting Screw.....
145028	64149	21530A	Cable Stop Cam Plunger Spring Housing..
145017	20175	21530A	" " Screw Stud.....
1796E	20179	21530A	" " Nut.....
145029	58654	21530B	" " Clamp (two pieces).....
50807E	58652	21530B	" " Screw (2).....
51708E	35228	21530B	" " Nut (2).....
126150	15009	21530B	" " Lock Washer (2).....
145030	58655	21530B	Cable Stop Clamp complete, Nos. 145029 and two each 50807E, 51708E and 126150.....
145031	20162	21530B	Cable Thimble.....
145032	20137	21530A	Frame.....
145033	66484	21530A	" " Cover.....
145034	66486	-----	" " 145033 with 145018.....
140356E	58646	21530A	" " Screw (6).....
67425	20013	21530A	" " Lock Washer (6).....
145005	58817	21530A	Main Spring with 145036 (No. "60" stamped on spring).....
145006	61430	21530A	Main Spring with 145036 (No. "100" stamped on spring).....
Note: No. 137156 uses one Main Spring No. 145005 and one Main Spring No. 145006.			
145035	20143	21530A	Main Spring Adjusting Screw.....
145036	20171	21530A	" " Keeper Ring (2).....
145037	61435	21530A	" " Retainer Pin...
145038	60665	21530A	" " Plate.....
145039	20186	21530A	" " Safety Lever.....
9082	57503	21530A	" " Cotter Pin....
145040	20183	21530A	" " Plate.....
145041	20165	21530A	" " Plunger (inside)....
145007	20149	21530A	" " Compression Spring.....
145008	20187	21530A	Main Spring Safety Plunger (inside) Cushion Spring.....
145019	59750	21530B	Main Spring Safety Plunger (outside)...
145007	20149	21530B	" " Compression Spring.....

REPLACEMENT PARTS FOR MACHINE BALANCER NO. 137156

Singer Part No.	Thor Balancer Symbol	Plate	Name
145009	59751	21530B	Main Spring Safety Plunger (outside) Lock Ring.....
145042	61436	21530A	Main Spring Separating Ring.....
145043	20141	21530A	" " Sleeve (2).....
145044	35602	21530B	Safety Eyebolt.....
701481	-----	21530B	" " Lock Washer.....
145045	20140	21530A	Suspension Hook.....
145046	20154	21530A	" " Latch.....
145047	20155	21530A	" " Pin (2).....
145048	20153	21530A	" " Spring.....
145049	58647	21530A	Suspension Hook complete, Nos. 145045, 145046, 145048 and two 145047.....
137158	20145	21530B	Socket Wrench.....
145050	20144	21530A	Swivel Stud.....
145051	20157	21530A	" " Ball Ring.....
145052	20169	21530A	" " Braks (brass).....
50959E	20170	21530A	" " Adjusting Screw.....
51709E	2062	21530A	" " Nut..
145010	2061	21530A	" " Spring.....
145053	20164	21530A	" " Bushing.....
145054	20146	21530A	" " Locking Pin (grooved).....

No.	Plate	Name
124285	-----	Machine Belt, 1/4 in. diam., 35 1/2 in. long, with 25128.....
124292	21529	Machine Belt Guard.....
333R	21529	" " " Screw (2).....
25128	-----	" " " Hook.....
41441	21529	" " " Shifter Belt Guide Pin (2).....
882C	21529	" " " " " " " Set Screw (2).....
124259	21529	Machine Belt Shifter Bracket with 858C and two 882C.....
54640	21529	Machine Belt Shifter Bracket Hinge Stud.....
443C	21529	" " " " " " " Set Screw.....
124260	21529	Machine Belt Shifter Bracket Spring.....
124261	21529	" " " " " " " Position Pin.....
554E	21529	Machine Belt Shifter Bracket Spring Screw Eyelet.....
124282	21529	Machine Belt Shifter Handle.....
858C	21529	" " " " " " " Set Screw....
124299	21529	" Bracket with 435C, 443C and 50422C
*124284	21529	" " 124299 with 115E, 554E, 1178E, 1672R, 1795R, 9082, 20437, 50706R, 51617R, 54640, 124259 to 124261, 124263, 124282, 124283, 124292 to 124294, 876088, two each 327R, 41441 and four each 333R and 731R.....
124263	21529	Machine Bracket Handle.....
435C	21529	" " " " " " " Set Screw.....
731R	21529	" " " " " " " Motor Screw (4).....
126573	21529	" Brake (thermo).....
124264	21529	" " " Bracket.....
124283	21529	" " " 124264 with 126573 and two 27878.....
1178E	21529	Machine Brake Bracket Screw.....
20437	21529	" " " " " " " Washer.....
27878	21529	" " " Rivet (2).....
50340R	21529	" Screw (long) to fasten machine to bracket (3).....
9281	21529	Machine Screw (long) Washer (3).....
115E	21529	" " (short) to fasten machine to bracket.....
876088	21529	Switch Box Plate.....
327R	21529	" " " " " " " Screw (2).....
333R	21529	" " " " " " " Screw (2).....

FITTINGS FOR SINGLE THREAD CHAIN STITCH FOR 146-1 MACHINE

No.	Plate	Name
17686	21527	Feed Dog, 14 teeth (10 teeth to the inch)
49037	21527	Looper.....
137088	21527	Presser Foot Finger Guard.....
227J	21527	" " " " " " " Screw.....
58004	21527	" " " Plate.....
50087J	21527	" " " " " " " Hinge Screw.....
58005	21527	" " " Shank.....
137089	21527	" " " Toe with 227J, 906C and 137088.....
58007	21527	Presser Foot Toe Hinge Stud.....
906C	21527	" " " " " " " Set Screw....
58008	21527	" " " " " " " Spring.....
137090	21527	Presser Foot (hinged) complete, Nos. 50087J, 58004, 58005, 58007, 58008 and 137089.....
137237	21527	Throat Plate with 665J and 137238.....
137238	21527	" " " Thread Retainer.....
665J	21527	" " " " " " " Screw.....

ACCESSORIES

No.	Plate	Name
120908	21532	Bag Guide Hook.....
120344	21532	Oiler (copper plated) with 120345.....
120345	21532	" Spout, 4 1/2 in. long.....
11831	21532	Screw Driver (large).....
26026	21532	" " (medium).....
26485	21532	" " (small).....
120341	21532	Tweezers (curved).....
8908	21532	Wrench for 1519, 1708 and 1709.....
8909	21532	" " 1513, 1517 and 1636.....
25200	21532	" " 1731.....
27682	21532	" " 1508.....
42089	21532	" " 1629.....

THREAD UNWINDER
FOR TWO SPOOLS OR TWO LARGE CONES OF THREAD
FOR I46-1 MACHINE

No.	Plate	Name
225257	22248	Spool Rest with 201018C.....
150203	22248	" " Cushion (felt) (2).....
225388	22248	" " Rod.....
200383C	22248	" " Set Screw.....
201018C	22248	" " Set Screw.....
202490	22248	" Stand with 200383C.....
225391	22248	Thread Guide (2).....
201696J	22248	" " Lock Nut.....
225326	22248	" " Position Cup.....
225324	22248	" " Rod with 208E and 225322...
208E	22248	" " Screw.....
225322	22248	" " Washer.....
225258	22248	Thread Unwinder complete, Nos. 201696J, 202490, 225257, 225324, 225326, 225388, two each 150203, 225391 and three wood screws 7/8 in. No. 12.....
27739	22248	Thread Cone (wood) for large cones.....
225390	22248	" " Holder, for inverted cones..

Note: Nos. 27739 and 225390 are used with, but not included in 225258.

THREAD UNWINDER
(FOR TWO SPOOLS)

FOR I46-30 AND I46-32 MACHINES

No.	Plate	Name
124278	21533	Counterbalance with 51288R.....
51288R	21533	" Thumb Screw.....
225257	21533	Spool Rest with 201018C.....
150203	21533	" " Cushion (felt) (2).....
124295	21533	" " Rod with 123183.....
123183	21533	" " Cotter Pin.....
124296	21533	" " Extension.....
137155	21533	" " Coupling with three 1157C.....
1157C	21533	Spool Rest Rod Extension Coupling Set Screw (3).....
50422C	21529	Spool Rest Rod Extension Set Screw.....

No.	Plate	Name
201018C	21533	Spool Rest Set Screw.....
225391	21533	Thread Guide (2).....
201696J	21533	" " Lock Nut.....
225326	21533	" " Position Cup.....
225324	21533	" " Rod with 208E and 225322...
208E	21533	" " Screw.....
225322	21533	" " Washer.....
124298	21533	Thread Unwinder complete, Nos. 124278, 124295, 124296, 137155, 201696J, 225257, 225324, 225326 and two each 150203 and 225391.....

NUMERICAL LIST OF PARTS

No.	Plate	Name
115E	21529	Machine Screw (short) to fasten machine to bracket for 124284.....
128D	21521	Cloth Plate Screw (lower).....
144D	21520	Arm Rotary Shaft Screw.....
145E	21520	Crank Connecting Rod Cap Screw for 58033 (2).....
156C	21522	Looper Carrier Rock Shaft Crank (lower) Position Screw for 124173.....
157D	21522	Looper Carrier Hinge Pin Clamping Screw for 124173.....
158F	21521	Cloth Plate Screw (upper).....
159F	21520	Arm Rotary Shaft Flanged Bushing (upper) Screw (3).....
161J	21525	Thread Cutting Lever Extension Screw for 58012 (2).....
170J	21525	Thread Cutting Lever Spring Screw Stud..
171E	21522	Looper Carrier Pitman Cap (lower) Screw for 49088 (2).....
172C	21526	Feed Dog Screw.....
172C	21525	Thread Cutting Lever Plate Screw.....
172C	21522	" (Looper) Eyelet Screw.....
175E	21522	Looper Bell Crank Pitman Cap (back) Screw for 17695 (2).....
175E	21522	Looper Carrier Clamping Screw for 49044 (2).....
175E	21522	Looper Carrier Pitman Cap (upper) Screw for 124177 (2).....
176J	21526	Presser Foot Screw.....
190J	21522	Thread (Looper) Take-up Screw.....
193J	21519	Arm Rock Shaft Oil Cover Screw.....
193F	21521	Face Plate Screw (3).....
198J	21520	Oil Tube Connection Cap Screw for 58044 (4).....
208E	22248	Thread Unwinder Thread Guide Rod Screw for 225324.....
212D	21523	Presser Bar Lifter Cap Screw.....
212D	21523	" " Lifting Link Cap Screw.....
220J	21522	Feed Dog Stop Screw for 17683.....
226J	21521	Looper Gate Lock Spring Screw for 58024 (2).....
227J	21526	Presser Foot Finger Guard Screw for 137089.....
327R	21529	Switch Box Plate Screw for 124284 (2)...
333R	21529	Machine Belt Guard Screw for 124284 (2).
333R	21529	Switch Box Screw for 124284 (2).....
344C	21528	Machine Counterbalance Cable Sheave Hanger Eyebolt Set Screw for 124271.

Genuine Singer Needles should be used in Singer Machines. These Needles and their Containers are marked with the Company's Trade Mark "SIMANCO." 1

Needles in Containers marked "For Singer Machines" are not Singer made needles. 2

No.	Plate	Name
350C	21528	Machine Counterbalance Cable Retaining Arm Set Screw for 137127 (2).....
402F	21526	Throat Plate Screw (small).....
430C	21519	Arm Rock Shaft Flanged Bushing (lower) Set Screw.....
430C	21520	Balance Wheel and Pulley (tight) Set Screw for 124001 (2).....
435C	21520	Arm Rotary Shaft Bushing (lower) Set Screw.....
435C	21529	Machine Bracket Handle Set Screw for 124299.....
435C	21523	Needle Bar Bushing (back) Set Screw.....
435C	21523	Presser Bar Bushing (back) Set Screw.....
443C	21519	Arm Rock Shaft Bushing Collar Set Screw for 17671 (2).....
443C	21522	Looper Carrier Rock Shaft Crank (lower) Set Screw for 124173.....
443C	21529	Machine Belt Shifter Bracket Hinge Stud Set Screw for 124299.....
446C	21519	Arm Rock Shaft Bushing (upper) Set Screw
446C	21520	Arm Rotary Shaft Flanged Bushing (intermediate) Set Screw.....
448C	21519	Arm Rock Shaft Bushing (intermediate) Set Screw.....
448C	21522	Looper Bell Crank Hinge Stud Set Screw..
448C	21525	Thread Cutting Lever Hinge Stud Set Screw.....
449C	21520	Arm Rotary Shaft Lower Bearing Oil Hole Plug Screw.....
449C	21520	Oil Pipe Set Screw.....
453C	21520	Looper Carrier Rock Shaft Collar Set Screw for 11411.....
453C	21523	Presser Bar Lifter Hinge Stud Set Screw.
453C	21523	" " Lifting Bracket Set Screw for 49065.....
457C	21522	Feed Bar Hinge Pin Set Screw for 17683..
457C	21520	" Lifting Eccentric Connection Hinge Pin Set Screw for 58054.....
457C	21523	Thread (needle) Take-up Set Screw for 49075.....
554E	21529	Machine Belt Shifter Bracket Spring Screw Eyelet for 124284.....
574W	21524	Pressure Regulating Thumb Screw.....
590J	21526	Looper Thread Guard Screw for 49036.....
622C	21522	Feed Rock Shaft Hinge Pin Screw Bearing.
665J	21527	Throat Plate Thread Retainer Screw for 137237.....
731R	21529	Machine Bracket Motor Screw for 124284 (4).....
735C	21521	Looper Gate Hinge Pin Set Screw for 58001.....

No.	Plate	Name
858C	21529	Machine Belt Shifter Handle Set Screw for 124259.....
882C	21529	Machine Belt Shifter Belt Guide Pin Set Screw for 124259 (2).....
892F	21523	Presser Bar Lifting Bracket Adjusting Screw for 49065.....
896E	21520	Crank Connecting Rod Adjusting Screw for 58033.....
896E	21520	Feed Connecting Rod Cap Screw for 17685 (2).....
906C	21528	Presser Foot Toe Hinge Stud Set Screw for 137089.....
914F	21524	Thread (needle) Controller Screw.....
974F	21524	" " " Hinge Screw..
1057E	21520	Feed Lifting Eccentric Connection Cap Screw for 58054 (2).....
1057E	21522	Looper Bell Crank Pitman Cap (front) Screw for 17695 (2).....
1110C	21524	Tension (looper thread) Screw Stud for 20972.....
1110C	21524	Tension (needle thread) Screw Stud for 20972.....
1133E	21523	Needle Bar Bushing (front) Set Screw....
1133E	21523	Presser Bar Bushing (front) Set Screw..
1147C	21522	Looper Carrier Pitman Ball Stud (lower) Set Screw for 49044.....
1147C	21522	Looper Set Screw for 49044.....
1157C	21533	Thread Unwinder Spool Rest Rod Extension Coupling Set Screw for 137155 (3)..
1177E	21522	Feed Rock Shaft Crank Clamping Screw for 124227 (2).....
1178E	21529	Machine Brake Bracket Screw for 124284..
1241E	21523	Presser Bar Lifting Link Spring Screw Stud.....
1253C	21523	Presser Bar Lifting Link Hinge Screw Stud.....
1259C	21520	Feed Eccentric Set Screw for 17687 (2)..
1259C	21520	" Lifting Eccentric Set Screw for 17688 (2).....
1259C	21520	Looper Eccentric Set Screw for 49051 (2)
1454E	21523	Needle Bar Connecting Stud Clamping Screw for 49268.....
1508J	21522	Feed Rock Shaft Hinge Pin Nut.....
1508J	21522	" " " " " Screw Bearing Nut.....
1513J	21520	Crank Connecting Rod Hinge Screw Nut....
1515E	21530B	Machine Balancer Cable Drum Brake Housing Screw Nut for 137156 (2).....
1515E	21530B	Machine Balancer Cable Guide Roller Bracket Adjusting Screw Nut for 137156 (2).....

No.	Plate	Name
1517J	21523	Needle Bar Connecting Link Hinge Stud Nut.....
1519J	21522	Looper Carrier Pitman Ball Screw Stud (upper) Nut.....
1539W	21524	Pressure Regulating Thumb Screw Lock Nut
1560C	21524	Tension (looper thread) Regulating Thumb Nut for 20972.....
1560C	21524	Tension (needle thread) Regulating Thumb Nut for 20972.....
1619J	21522	Looper Bell Crank Pitman Ball Screw Stud (front) Nut.....
1629C	21523	Needle Clamping Nut.....
1636C	21522	Looper Bell Crank Pitman Ball Screw Stud (back) Nut.....
1672R	21529	Machine Balancer Cable Hook Eyebolt Lock Nut for 124284, for 146-32 Machine..
1672R	21529	Machine Counterbalance Cable Hook Eyebolt Lock Nut for 124284, for 146-30 Machine.....
1672R	21528	Machine Counterbalance Cable Sheave Hanger Eyebolt Nut for 124272.....
1708J	21522	Looper Carrier Pitman Rod Nut (lower) for 124174.....
1709J	21522	Looper Carrier Pitman Rod Nut (upper) for 124174.....
1731C	21522	Feed Regulating Screw Stud Nut.....
1732H	21525	Thread Cutting Blade Hinge Screw Nut....
1795R	21529	Machine Balancer Cable Hook Eyebolt Bracket Bolt Nut for 124284, for 146-32 Machine.....
1795R	21529	Machine Counterbalance Cable Hook Eyebolt Bracket Bolt Nut for 124284, for 146-30 Machine.....
1796E	21530A	Machine Balancer Cable Stop Cam Screw Stud Nut for 137156.....
1933	21525	Thread Cutting Blade Roller and Stud for 58010 and 58011 (2).....
2102	21524	Tension (looper thread) Disc (2).....
2102	21524	" (needle thread) Disc (2).....
2269	21521	Arm Side Cover (left) Stop Pin.....
2269	21521	" " " (right) Stop Pin.....
2653	21520	Feed Connecting Rod Oil Pad Pin for 17685.....
2653	21520	Feed Lifting Eccentric Connection Oil Pad Pin for 58054.....
4784	21520	Feed Connecting Rod Oil Pad (felt) for 17685.....
4784	21520	Feed Lifting Eccentric Connection Oil Pad (felt) for 58054.....
4784	21522	Looper Carrier Oil Pad (felt) for 49044.

No.	Plate	Name
8908	21532	Wrench for 1519, 1708 and 1709 (Accessories).....
8909	21532	Wrench for 1513, 1517 and 1636 (Accessories).....
9082	21529	Machine Balancer Cable Hook Eyebolt Nut Cotter Pin for 124284, for 146-32 Machine.....
9082	21529	Machine Counterbalance Cable Hook Eyebolt Nut Cotter Pin for 124284, for 146-30 Machine.....
9082	21530A	Machine Balancer Main Spring Safety Lever Cotter Pin for 137156.....
9281	21529	Machine Screw (long) Washer for 146-30 and 146-32 Machines (3).....
10148	21524	Tension (looper thread) Spring.....
11411	21520	Looper Carrier Rock Shaft Collar with 453C.....
11831	21532	Screw Driver (large) Accessories.....
12000	21522	Feed Regulating Screw Stud Stop Pin for 124227.....
13375	21525	Thread Cutting Lever Extension Handle (wood) for 124258.....
13710	21524	Tension (needle thread) Spring.....
*15404	-----	Trade Mark for 124170.....
15405	-----	" " Rivet for 124170 (2).....
17622	21525	Thread Cutting Blade Spring.....
17669	21519	Arm Oil Tube, for intermediate bearing..
17670	21519	" " " lower bearing.....
17671	21519	" Rock Shaft Bushing Collar with two 443C.....
17672	21520	Arm Rotary Shaft for 58059.....
17674	21520	" " Bushing (lower) Cap....
17675	21520	Arm Rotary Shaft Flanged Bushing (intermediate) Oil Hole Plug.....
17676	21521	Arm Side Cover (left).....
17677	21521	" " " (right).....
17679	21520	Balance Wheel and Pulley (tight) Washer.
17683	21522	Feed Bar with 220J and 457C.....
17684	21522	" " Hinge Pin.....
17685	21520	" Connecting Rod with 2653, 4784 and two 896E.....
17686	21526	Feed Dog, 14 teeth (10 teeth to the inch) for 58025, 58028 and 137237.....
17687	21520	Feed Eccentric with two 1259C.....
17688	21520	" Lifting Eccentric with two 1259C...
17690	21522	" Regulating Screw Stud Sleeve.....
17693	21522	" Rock Shaft Hinge Pin.....
17694	21522	Looper Bell Crank.....
17695	21522	" " " Pitman with two each 175E and 1057E.....

No.	Plate	Name
19510	21525	Thread Cutting Lever Spring.....
20437	21529	Machine Brake Bracket Screw Washer for 124284.....
20972	-----	Tension (looper thread) Screw Stud 1110C with 1560C.....
20972	-----	Tension (needle thread) Screw Stud 1110C with 1560C.....
25128	-----	Machine Belt Hook for 124285.....
25200	21532	Wrench for 1731 (Accessories).....
26026	21532	Screw Driver (medium) Accessories.....
26485	21532	" " (small) Accessories.....
27398	21522	Feed Rock Shaft Washer (2).....
27662	21532	Wrench for 1508 (Accessories).....
27739	22248	Thread Unwinder Thread Cone (wood) for large cones for 225258.....
27878	21529	Machine Brake Rivet for 124283 (2).....
38440	21522	Looper Carrier Hinge Pin.....
38468	21524	Presser Bar Spring Stud.....
39541	21524	Thread (needle) Controller Screw Washer.....
41441	21529	Machine Belt Shifter Belt Guide Pin for 124284 (2).....
42089	21532	Wrench for 1629 (Accessories).....
46237	21522	Looper Carrier Pitman Ball Stud (lower) for 49088.....
49003	21519	Arm Rock Shaft Bushing (upper).....
49004	21519	" " " (intermediate)...
49005	21519	" " " Flanged Bushing (lower)...
49012	21520	" Rotary Shaft Flanged Bushing (upper) with 49013 and 49093.....
49013	21520	Arm Rotary Shaft Flanged Bushing (upper) Oil Pad (short) braided cotton for 49012.....
49020	21521	Face Plate.....
49030	21522	Feed Lifting Eccentric Connection Hinge Pin.....
49033	21522	Feed Rock Shaft for 124228.....
49036	21526	Looper with 590J and 49080.....
49037	21527	" for single thread chain stitch for 146-1 Machine.....
49039	21522	Looper Bell Crank Hinge Stud.....
49043	21522	" Carrier Pitman Rod Washer (fibre)
49044	21522	" " with 4784 and two each 175E, 1147C and 59019.....
49046	21522	Looper Carrier Pitman Rod for 124174....
49049	21520	Looper Carrier Rock Shaft Crank (upper) Slide Block.....
49051	21520	Looper Eccentric with two 1259C.....
49054	21521	" Gate Lock Spring for 58024.....
49056	21523	Needle Bar Bushing (back).....
49057	21523	" " Connecting Link Hinge Stud for 49167.....

No.	Plate	Name
49059	21523	Presser Bar.....
49060	21523	" " Bushing (back).....
49061	21523	" " " (front).....
49065	21523	" " Lifting Bracket with 453C and 892F.....
49067	21524	Presser Bar Spring (flat).....
49071	21522	Thread (looper) Eyelet.....
49072	21522	" " Take-up.....
49073	21524	" (needle) Controller.....
49075	21523	" " Take-up with 457C.....
49080	21526	Looper Thread Guard for 49036.....
49084	21519	Arm Rock Shaft Oil Cover.....
49088	21522	Looper Carrier Pitman Head (lower) for 124174, Nos. 46237 and two 171E....
49093	21520	Arm Rotary Shaft Flanged Bushing (upper) Oil Pad (long) braided cotton for 49012.....
49109	21520	Crank Connecting Rod Adjusting Washer for 58033.....
49156	21519	Arm Rock Shaft.....
49167	21523	Needle Bar Connecting Link with 49057 and 49268.....
49189	-----	Oil Tube Connection Cap for 58044.....
49220	21524	Tension (looper thread) Thread Guide....
49220	21524	" (needle thread) Thread Guide....
49261	21519	Arm Rock Shaft Bushing Crank (upper) with 50282E and 50457C.....
49262	21519	Arm Rock Shaft Bushing Crank (lower) with 50282E and 50457C.....
49268	21523	Needle Bar Connecting Stud with 1454E, for 49167.....
49276	21520	Looper Carrier Rock Shaft Crank (upper) forked, with 140174C.....
50070C	21522	Looper Bell Crank Pitman Ball Screw Stud (back).....
50070C	21522	Looper Carrier Pitman Ball Screw Stud (upper) for 124177.....
50087J	21526	Presser Foot Plate Hinge Screw for 137090.....
50244C	21520	Crank Connecting Rod Hinge Screw.....
50245C	21522	Feed Regulating Screw Stud.....
50246C	21522	Looper Bell Crank Pitman Ball Screw Stud (front).....
50247C	21525	Thread Cutting Blade Hinge Screw.....
50282E	21519	Arm Rock Shaft Bushing Crank (lower) Po- sition Screw for 49262.....
50282E	21519	Arm Rock Shaft Bushing Crank (upper) Po- sition Screw for 49261.....
50340R	21529	Machine Screw (long) to fasten machine to bracket for 146-30 and 146-32 Ma- chines (3).....

NUMERICAL LIST OF PARTS

No.	Plate	Name
50422C	21529	Thread Unwinder Spool Rest Rod Extension Set Screw for 124299.....
50457C	21519	Arm Rock Shaft Bushing Crank (lower) Set Screw for 49262.....
50457C	21519	Arm Rock Shaft Bushing Crank (upper) Set Screw for 49261.....
50674E	21530B	Machine Balancer Cable Drum Brake Housing Screw for 137156 (2).....
50706R	21529	Machine Balancer Cable Hook Eyebolt Bracket Bolt for 124284, for 146-32 Machine.....
50706R	21529	Machine Counterbalance Cable Hook Eyebolt Bracket Bolt for 124284, for 146-30 Machine.....
50807E	21530B	Machine Balancer Cable Stop Clamp Screw for 145030 (2).....
50959E	21530A	Machine Balancer Swivel Stud Brake Adjusting Screw for 137156.....
51224W	21521	Arm Side Cover (left) Thumb Screw.....
51224W	21521	" " " (right) Thumb Screw.....
51287C	21528	Machine Counterbalance Cable Sheave Hinge Pin Set Screw for 124271.....
51288R	21533	Thread Unwinder Counterbalance Thumb Screw for 124278.....
51617R	21529	Machine Balancer Cable Hook Eyebolt Nut for 124284, for 146-32 Machine.....
51617R	21529	Machine Counterbalance Cable Hook Eyebolt Nut for 124284, for 146-30 Machine.....
51708E	21530B	Machine Balancer Cable Stop Clamp Screw Nut for 145030 (2).....
51709E	21530A	Machine Balancer Swivel Stud Brake Adjusting Screw Nut for 137156.....
52150	21520	Arm Oil Tube Packing (wick) for 58030...
54640	21529	Machine Belt Shifter Bracket Hinge Stud for 124284.....
54897	21520	Arm Oil Tube Oil Cup for 58030.....
54897	21520	Oil Pipe Holder Oil Cup for 58037.....
58001	21521	Looper Gate with 735C, for 58024.....
58002	21521	" " Hinge Pin for 58024.....
58004	21526	Presser Foot Plate for 137090.....
58005	21526	" " Shank for 137090.....
58007	21526	" " Toe Hinge Stud for 137090..
58008	21526	" " Spring for 137090.....
58010	21525	Thread Cutting Blade (inside) with 1933.
58011	21525	" " " (outside) with 1933
58012	-----	" " Lever 124256 with 58013 and two 161J.....
58013	21525	Thread Cutting Lever Extension for 58012
58014	21525	Thread Cutting Lever Plate.....

NUMERICAL LIST OF PARTS

No.	Plate	Name
58023	21521	Cloth Plate for 58024.....
58024	21521	Cloth Plate complete, Nos. 49054, 58001, 58002, 58023 and two 226J.....
58025	21526	Throat Plate (large needle hole) for 17686.....
58028	-----	Throat Plate (small needle hole) for 17686.....
58030	21520	Arm Oil Tube with 52150 and 54897, for oiling 58033.....
58031	21520	Arm Rotary Shaft Bushing (lower).....
58032	21520	" " " Flanged Bushing (intermediate).....
58033	21520	Crank Connecting Rod with 896E, 49109 and two 145E, for 58059.....
58035	21523	Needle Bar Bushing (front).....
58036	21520	Oil Pipe for 58037.....
58037	-----	" " 58036 with 54897, 58038 and 58039, for Arm Rotary Shaft Lower Bearing.....
58038	21520	Oil Pipe Holder for 58037.....
58039	21520	" " Packing (braided cotton) for 58037.....
58040	21520	Oil Tube for 58041.....
58041	-----	" " 58040 with 58044 and 58045, for oiling 49049 and 49051.....
58042	21520	Oil Tube for 58043.....
58043	-----	" " 58042 with 58044 and 58045, for Arm Rotary Shaft Intermediate Bearing.....
58044	21520	Oil Tube Connection with 49189 and two 198J, for 58041 and 58043 (2).....
58045	21520	Oil Tube Packing (braided cotton) for 58041 and 58043 (2).....
58046	21523	Presser Bar Lifter.....
58047	21523	" " " Hinge Stud.....
58048	21523	" " " Lifting Link.....
58049	21523	" " " Spring.....
58052	21523	Needle Bar.....
58054	21520	Feed Lifting Eccentric Connection with 457C, 2653, 4784 and two 1057E.....
58059	-----	Arm Rotary Shaft 17672 with 58033.....
59019	21522	Looper Carrier Gib for 49044 (2).....
67425	21530B	Machine Balancer Cable Drum Brake Housing Screw Nut Washer for 137156 (2)
67425	21530A	Machine Balancer Cable Drum Cover Screw Lock Washer for 137156 (4).....
67425	21530A	Machine Balancer Cable Drum Shaft Adjusting Wheel Cover Screw Lock Washer for 137156 (3).....
67425	21530B	Machine Balancer Cable Guide Roller Bracket Adjusting Screw Washer for 137156 (2).....

NUMERICAL LIST OF PARTS

No.	Plate	Name
67425	21530A	Machine Balancer Frame Cover Screw Lock Washer for 137156 (6).....
68714	21520	Pulley (loose) Ball Bearing for 137132..
120341	21532	Tweezers (curved) Accessories.....
120344	21532	Oiler (copper plated) with 120345 (Accessories).....
120345	21532	Oiler Spout, 4 1/2 in. long, for 120344.
120908	21532	Bag Guide Hook (Accessories).....
123183	21533	Thread Unwinder Spool Rest Rod Cotter Pin for 124295.....
124001	21520	Balance Wheel and Pulley (tight) 2 7/8 in. diam., with two 430C, for 137130 and two 15405.....
*124170	-----	Arm, upper and lower (solid) with 15404 and two 15405.....
124171	21525	Thread Cutting Lever Hinge Stud.....
124173	21522	Looper Carrier Rock Shaft Crank (lower) with 156C, 157D and 443C.....
124174	-----	Looper Carrier Pitman complete, Nos. 1708J, 1709J, 49046, 49088 and 124177..
124177	21522	Looper Carrier Pitman Head (upper) for 124174, Nos. 50070C and two 175E....
124227	21522	Feed Rock Shaft Crank with 12000 and two 1177E, for 124228.....
124228	-----	Feed Rock Shaft complete, Nos. 49033 and 124227.....
124256	21525	Thread Cutting Lever for 58012.....
124257	21525	" " " Extension for 124256
124258	21525	" " " " 124257 with 13375.....
124259	21529	Machine Belt Shifter Bracket with 858C and two 862C, for 124284.....
124260	21529	Machine Belt Shifter Bracket Spring for 124284.....
124261	21529	Machine Belt Shifter Bracket Spring Position Pin for 124284.....
124263	21529	Machine Bracket Handle for 124284.....
124264	21529	" Brake Bracket for 124283.....
124266	21528	" Counterbalance Cable, length 20 ft. (3/8 in.) for 124287.....
124267	-----	Machine Counterbalance Cable 124266 with 124269, for 146-30 Machine.....
124268	21531	Machine Balancer Auxiliary Cable Clamp, size 3/8 in. for 137236 (2).....
124268	21528	Machine Counterbalance Cable Clamp, size 3/8 in., for 146-30 Machine (2)....
124269	21528	Machine Counterbalance Cable Hook for 124267.....
124270	21528	Machine Counterbalance Cable Sheave for 124287.....
124271	21528	Machine Counterbalance Cable Sheave Hanger with 344C and 51287C, for 124272.....

NUMERICAL LIST OF PARTS

No.	Plate	Name
124272	-----	Machine Counterbalance Cable Sheave Hanger 124271 with 1672R, 124289 and 124290, for 124287.....
124275	21528	Machine Counterbalance Cable Sheave Roller Bearing for 124287.....
124276	21528	Machine Counterbalance Eyebolt for 124300.....
124278	21533	Thread Unwinder Counterbalance with 51288R, for 124298.....
124282	21529	Machine Belt Shifter Handle for 124284..
124283	21529	" Brake Bracket 124264 with 126573 and two 27878, for 124284.....
*124284	21529	Machine Bracket 124299 with 115E, 554E, 1178E, 1672R, 1795R, 9082, 20437, 50706R, 51617R, 54640, 124259 to 124261, 124263, 124282, 124283, 124292 to 124294, 876088, two each 327R, 41441 and four each 333R and 731R, for 146-30 and 146-32 Machines.....
124285	-----	Machine Belt, 1/4 in. diam., 35 1/2 in. long, with 25128, for 146-30 and 146-32 Machines.....
124287	-----	Machine Counterbalance Cable Sheave Hanger 124272 with 124270, 124275, 137128, 898622 and two 137127, for 146-30 Machine.....
124289	21528	Machine Counterbalance Cable Sheave Hanger Eyebolt for 124272.....
124290	21528	Machine Counterbalance Cable Sheave Hanger Eyebolt Nut Lock Washer for 124272.....
124292	21529	Machine Belt Guard for 124284.....
124293	21529	" Balancer Cable Hook Eyebolt for 124284, for 146-32 Machine.....
124293	21529	Machine Counterbalance Cable Hook Eyebolt for 124284, for 146-30 Machine.
124294	21529	Machine Balancer Cable Hook Eyebolt Bracket for 124284 for 146-32 Machine.....
124294	21529	Machine Counterbalance Cable Hook Eyebolt Bracket for 124284, for 146-30 Machine.....
124295	21533	Thread Unwinder Spool Rest Rod with 123183, for 124298.....
124296	21533	Thread Unwinder Spool Rest Rod Extension for 124298.....
124298	21533	Thread Unwinder complete for two spools for 146-30 and 146-32 Machines, Nos. 124278, 124295, 124298, 137155, 201696J, 225257, 225324, 225326 and two each 150203 and 225391.....

NUMERICAL LIST OF PARTS

No.	Plate	Name
124299	21529	Machine Bracket with 435C, 443C and 50422C, for 124284.....
124300	21528	Machine Counterbalance (112 lbs.) with 124276, for 146-30 Machine.....
126150	21530B	Machine Balancer Cable Stop Clamp Screw Nut Lock Washer for 145030 (2).....
126573	21529	Machine Brake (thermoïd) for 124283.....
126846	21530B	" Balancer Cable Guide Roller Bracket Cap Screw Lock Washer for 137156.....
137088	21526	Presser Foot Finger Guard for 137089....
137089	21526	" " Toe with 227J, 906C and 137088, for 137090.....
137090	21526	Presser Foot (hinged) complete, Nos. 50087J, 58004, 58005, 58007, 58008 and 137089.....
137127	21528	Machine Counterbalance Cable Retaining Arm (left and right) with 350C, for 124287 (2).....
137128	21528	Machine Counterbalance Cable Sheave Hinge Pin for 124287.....
137130	21520	Pulleys (ball bearing) complete, Nos. 124001 and 137136.....
137131	21520	Pulley (loose) 2 7/8 in. diam., with 200584D, for 137132.....
137132	-----	Pulley (loose) 137131 with 68714, for 137136.....
137133	21520	Pulley (loose) Spacing Collar for 137136
137136	-----	Pulley (loose) 137132 with 137133, for 137130.....
137138	21520	Looper Carrier Rock Shaft.....
137155	21533	Thread Unwinder Spool Rest Rod Extension Coupling with three 1157C, for 124298.....
137156	21530A	Machine Balancer with 137158, for 146-32 Machine.....
137158	21530B	Machine Balancer Socket Wrench for 137156.....
137159	21531	Machine Balancer Cable for 137156.....
137235	21531	" " Auxiliary Cable for 137236
137236	21531	Machine Balancer Auxiliary Cable complete for 146-32 Machine, Nos. 137235 and two 124268.....
137237	21527	Throat Plate with 665J and 137238, for 17686, for single thread chain stitch, for 146-1 Machine.....
137238	21527	Throat Plate Thread Retainer for 137237.
137239	21530B	Machine Balancer Cable Collar for 137156
137240	21530B	" " Guide Roller for 137243.....
137241	21530B	Machine Balancer Cable Guide Roller Bracket for 137243.....

NUMERICAL LIST OF PARTS

No.	Plate	Name
137242	21530B	Machine Balancer Cable Guide Roller Pin for 137243.....
137243	21530B	Machine Balancer Cable Guide Roller with Bracket complete for 137156, Nos. 137240 to 137242.....
137244	21530B	Machine Balancer Cable Protecting Hose and Bumper for 137156 (2).....
137245	21530B	Machine Balancer Cable Protecting Hose and Bumper Stop for 137156.....
137246	21530A	Machine Balancer Cable Stop Cam for 137156.....
137247	21530A	Machine Balancer Cable Stop Cam Plunger Spring for 137156.....
137248	21530A	Machine Balancer Cable Drum Brake (fibre) for 137156.....
137249	21530A	Machine Balancer Cable Drum Brake Tension Spring for 137156.....
137250	21530A	Machine Balancer Cable Drum Cover for 137156.....
140150F	21526	Throat Plate Screw (large).....
140174C	21520	Looper Carrier Rock Shaft Crank (upper) forked, position Screw for 49276....
140336C	21530B	Machine Balancer Cable Guide Roller Bracket Adjusting Screw for 137156 (2).....
140337E	21530B	Machine Balancer Cable Guide Roller Bracket Cap Screw for 137156.....
140338C	21530A	Machine Balancer Cable Stop Cam Plunger Spring Adjusting Screw for 137156...
140339C	21530A	Machine Balancer Cable Drum Brake Tension Spring Screw for 137156.....
140355E	21530A	Machine Balancer Cable Drum Cover Screw for 137156 (4).....
140356E	21530A	Machine Balancer Cable Drum Shaft Adjusting Wheel Cover Screw for 137156 (3).....
140356E	21530A	Machine Balancer Frame Cover Screw for 137156 (6).....
145001	21530A	Machine Balancer Cable Drum Shaft Adjusting Wheel for 137156.....
145002	21530A	Machine Balancer Cable Drum Shaft Adjusting Wheel Thrust Bearing for 137156.....
145003	21530A	Machine Balancer Cable Drum Shaft Adjusting Wheel Thrust Washer for 137156.....
145004	21530A	Machine Balancer Cable Drum Shaft Bearing for 137156 (2).....
145005	21530A	Machine Balancer Main Spring with 145036 (No. "60" stamped on spring) for 137156.....

NUMERICAL LIST OF PARTS

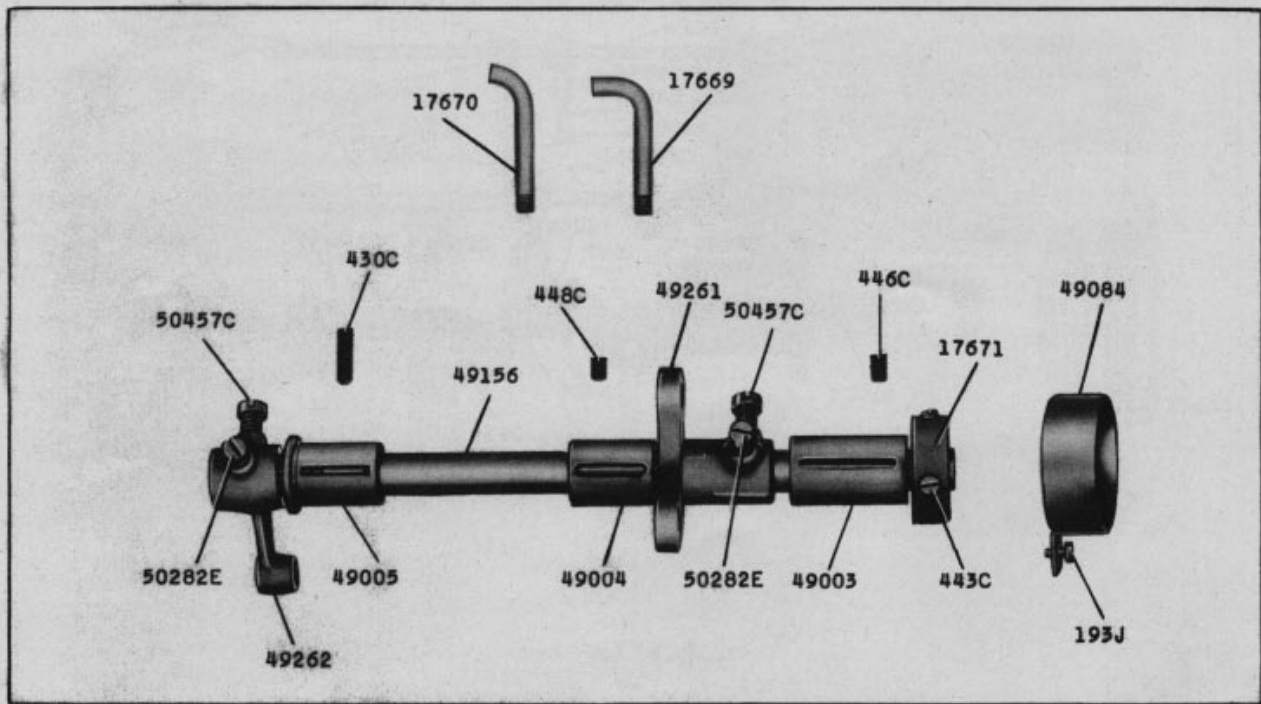
No.	Plate	Name
145006	21530A	Machine Balancer Main Spring with 145036 (No. "100" stamped on spring) for 137156.....
145007	21530A	Machine Balancer Main Spring Safety Plunger (inside) Compression Spring for 137156.....
145007	21530B	Machine Balancer Main Spring Safety Plunger (outside) Compression Spring for 137156.....
145008	21530A	Machine Balancer Main Spring Safety Plunger (inside) Cushion Spring for 137156.....
145009	21530B	Machine Balancer Main Spring Safety Plunger (outside) Lock Ring for 137156.....
145010	21530A	Machine Balancer Swivel Stud Brake Spring for 137156.....
145017	21530A	Machine Balancer Cable Stop Cam Screw Stud for 137156.....
145018	21530A	Machine Balancer Cable Stop Cam Bushing for 145034.....
145019	21530B	Machine Balancer Main Spring Safety Plunger (outside) for 137156.....
145020	21530A	Machine Balancer Cable Stop Cam Plunger for 137156.....
145021	21530B	Machine Balancer Cable Clamp complete for 137156.....
145022	21530A	Machine Balancer Cable Drum for 137156..
145023	21530B	" " " " Brakes Housing for 137156.....
145024	21530A	Machine Balancer Cable Drum Shaft for 137156.....
145025	21530A	Machine Balancer Cable Drum Shaft Adjusting Wheel Cover for 137156.....
145026	21530A	Machine Balancer Cable Drum Shaft Adjusting Wheel Key for 137156.....
145027	21530B	Machine Balancer Cable Hook for 137156..
145028	21530A	" " " Stop Cam Plunger Spring Housing for 137156.....
145029	21530B	Machine Balancer Cable Stop Clamp (two pieces) for 145030.....
145030	21530B	Machine Balancer Cable Stop Clamp complete for 137156, Nos. 145029 and two each 50807E, 51708E and 126150..
145031	21530B	Machine Balancer Cable Thimble for 137156.....
145032	21530A	Machine Balancer Frame for 137156.....
145033	21530A	" " " Cover for 145034.
145034	-----	" " " " 145033 with 145018, for 137156.....

NUMERICAL LIST OF PARTS

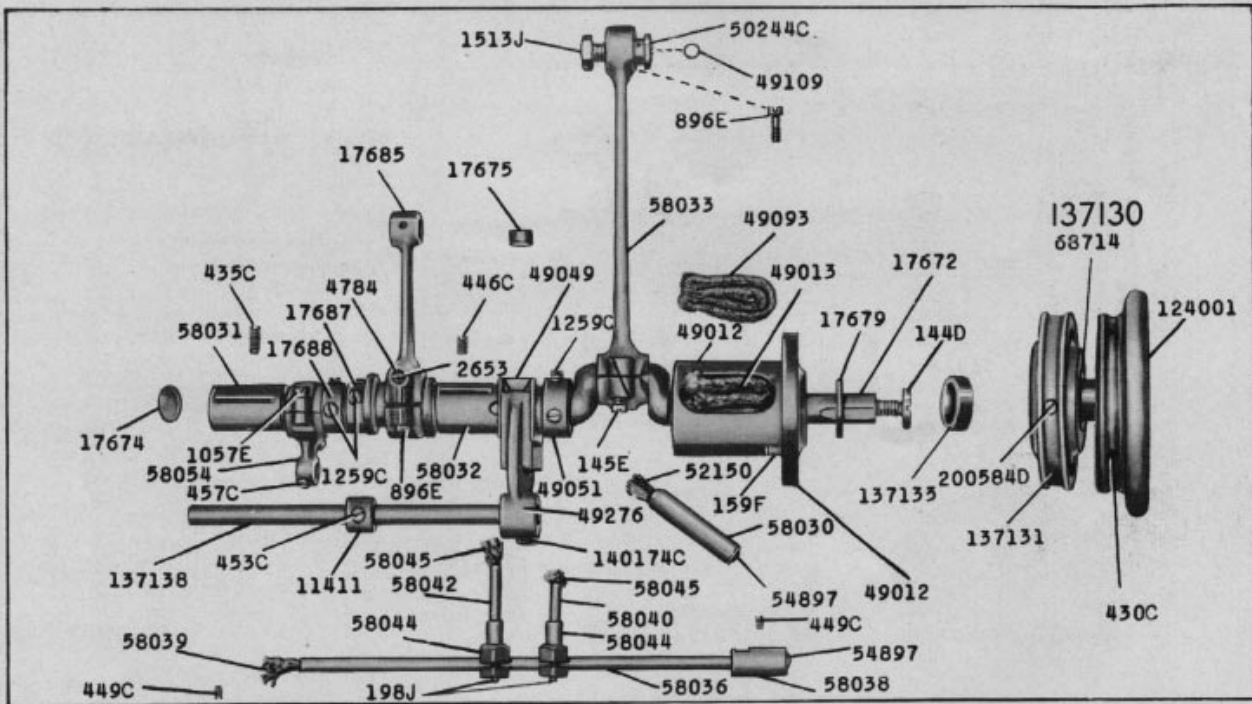
No.	Plate	Name
145035	21530A	Machine Balancer Main Spring Adjusting Screw for 137156.....
145036	21530A	Machine Balancer Main Spring Keeper Ring for 145006 and 145006 (2).....
145037	21530A	Machine Balancer Main Spring Keeper Ring Retainer Pin for 137156.....
145038	21530A	Machine Balancer Main Spring Plate for 137156.....
145039	21530A	Machine Balancer Main Spring Safety Lever for 137156.....
145040	21530A	Machine Balancer Main Spring Safety Lever Plate for 137156.....
145041	21530A	Machine Balancer Main Spring Safety Plunger (inside) for 137156.....
145042	21530A	Machine Balancer Main Spring Separating Ring for 137156.....
145043	21530A	Machine Balancer Main Spring Sleeve for 137156 (2).....
145044	21530B	Machine Balancer Safety Eyebolt for 137156.....
145045	21530A	Machine Balancer Suspension Hook for 145049.....
145046	21530A	Machine Balancer Suspension Hook Latch for 145049.....
145047	21530A	Machine Balancer Suspension Hook Latch Pin for 145049 (2).....
145048	21530A	Machine Balancer Suspension Hook Latch Spring for 145049.....
145049	21530A	Machine Balancer Suspension Hook complete for 137156, Nos. 145045, 145046, 145048 and two 145047.....
145050	21530A	Machine Balancer Swivel Stud for 137156.
145061	21530A	" " " " Ball Ring for 137156.....
145062	21530A	Machine Balancer Swivel Stud Brake (brass) for 137156.....
145063	21530A	Machine Balancer Swivel Stud Bushing for 137156.....
145064	21530A	Machine Balancer Swivel Stud Locking Pin (grooved) for 137156.....
150203	22248	Thread Unwinder Spool Rest Cushion (felt) for 124298 and 225258 (2)...
200383C	22248	Thread Unwinder Spool Rest Rod Set Screw for 202490.....
200584D	21520	Pulley (loose) Oil Plug Screw for 137131
201018C	22248	Thread Unwinder Spool Rest Set Screw for 225257.....
201696J	22248	Thread Unwinder Thread Guide Lock Nut for 124298 and 225258.....
202490	22248	Thread Unwinder Spool Stand with 200383C, for 225258.....

NUMERICAL LIST OF PARTS

No.	Plate	Name
225257	22248	Thread Unwinder Spool Rest with 201018C, for 124298 and 225258.....
225258	22248	Thread Unwinder complete for two spools or two large cones of thread for 146-1 Machine, Nos. 201696J, 202490, 225257, 225324, 225326, 225388, two each 150203, 225391 and three wood screws 7/8 in. No. 12.....
225322	22248	Thread Unwinder Thread Guide Rod Washer for 225324.....
225324	22248	Thread Unwinder Thread Guide Rod with 208E and 225322, for 124298 and 225258.....
225326	22248	Thread Unwinder Thread Guide Position Cup for 124298 and 225258.....
225388	22248	Thread Unwinder Spool Rest Rod for 225258.....
225390	22248	Thread Unwinder Thread Cone Holder for inverted cones for 225258.....
225391	22248	Thread Unwinder Thread Guide for 124298 and 225258 (2).....
876088	21529	Switch Box Plate for 124284.....
898622	21528	Machine Counterbalance Cable Sheave Grease Cup for 124287.....
701481	21530B	Machine Balancer Safety Eyebolt Lock Washer for 137156.....

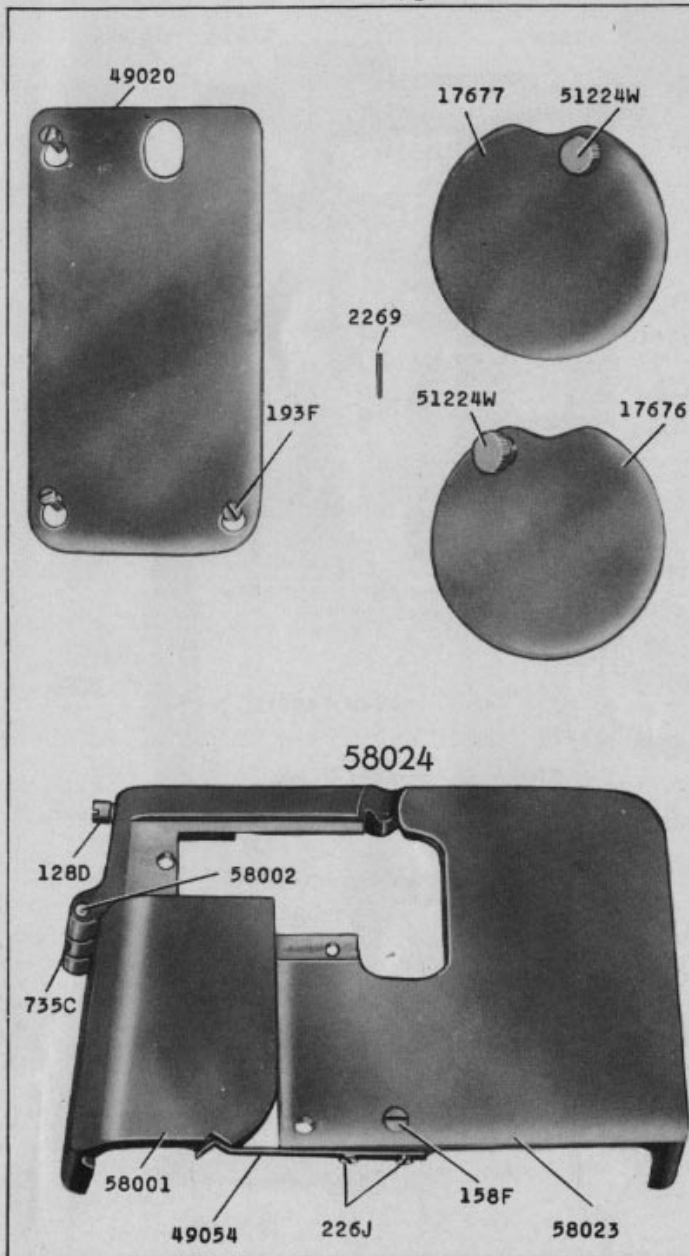


21519 - 1/2

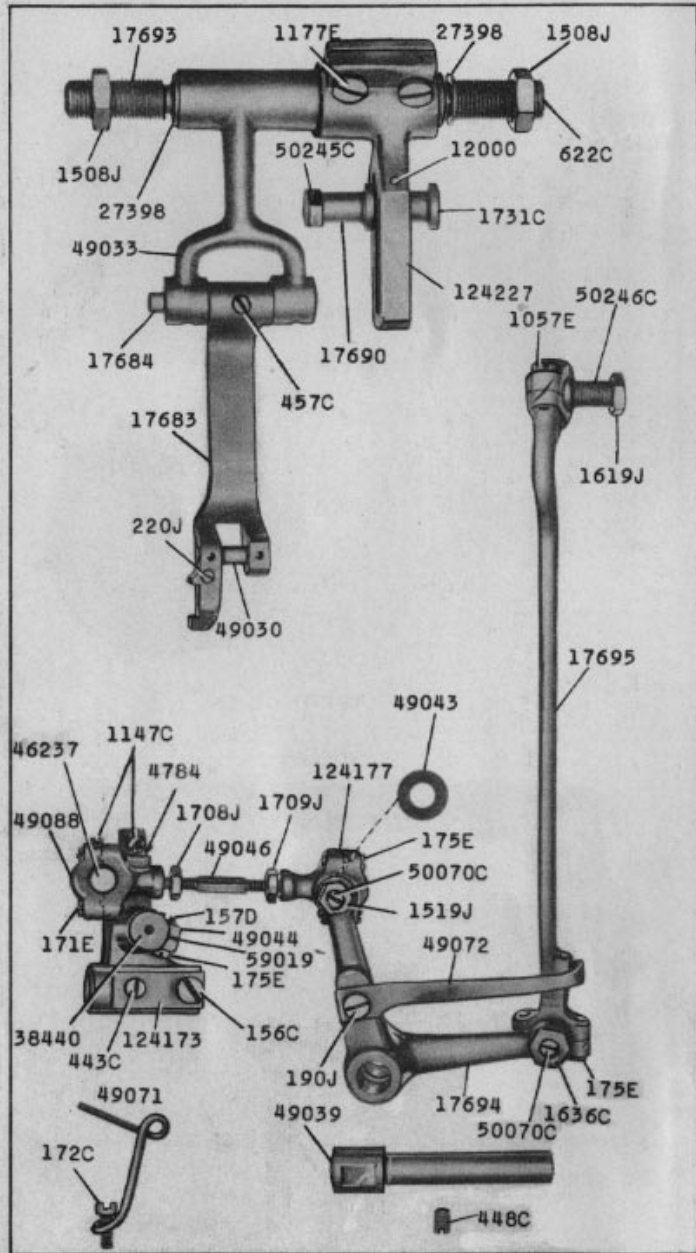


21520 - 1/3

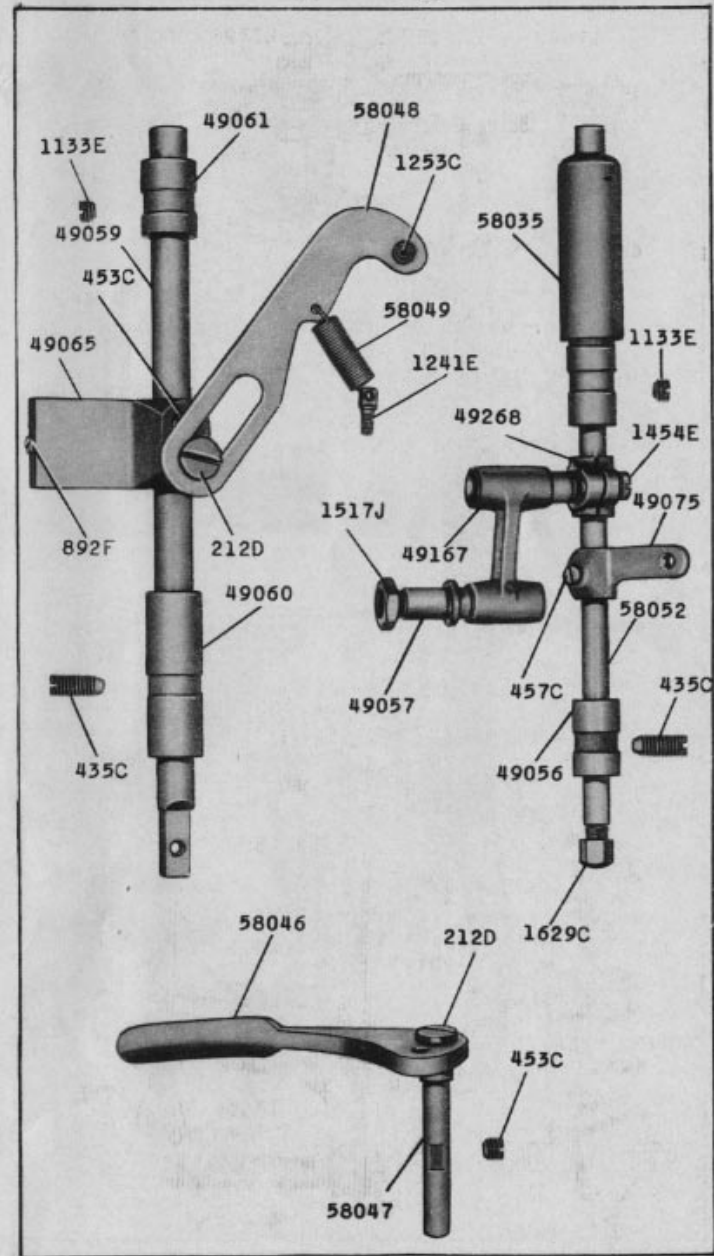
21521 - 1/3

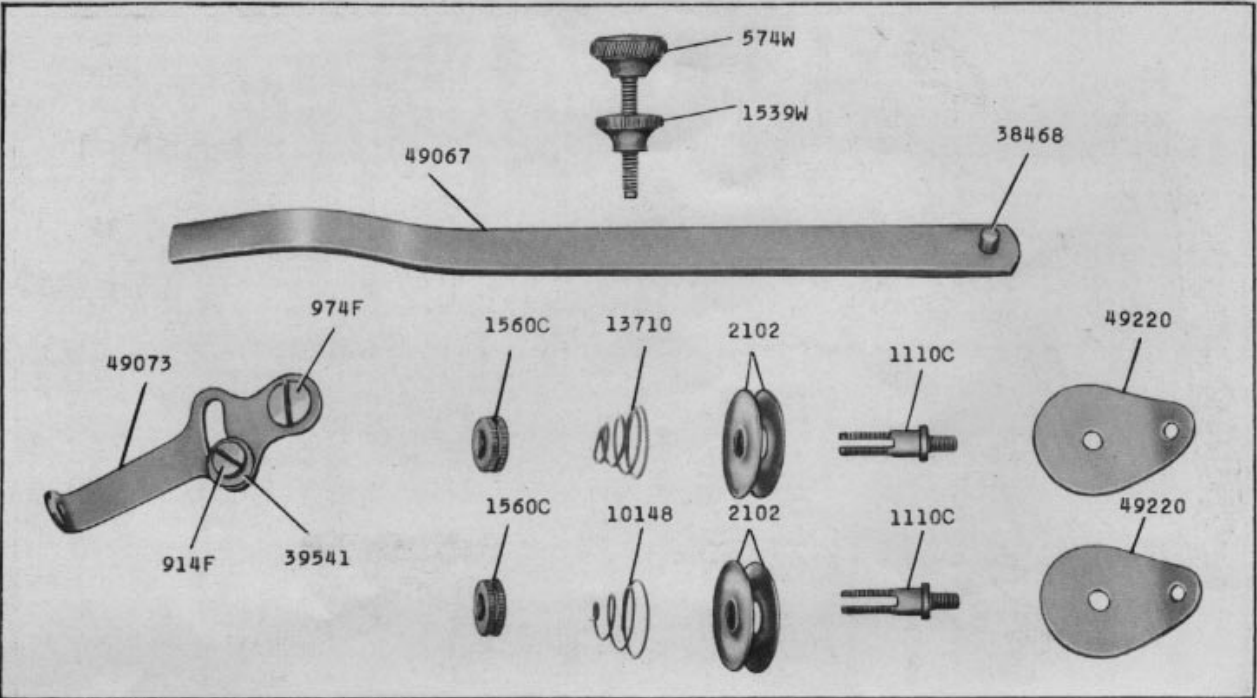


21522 - 1/2

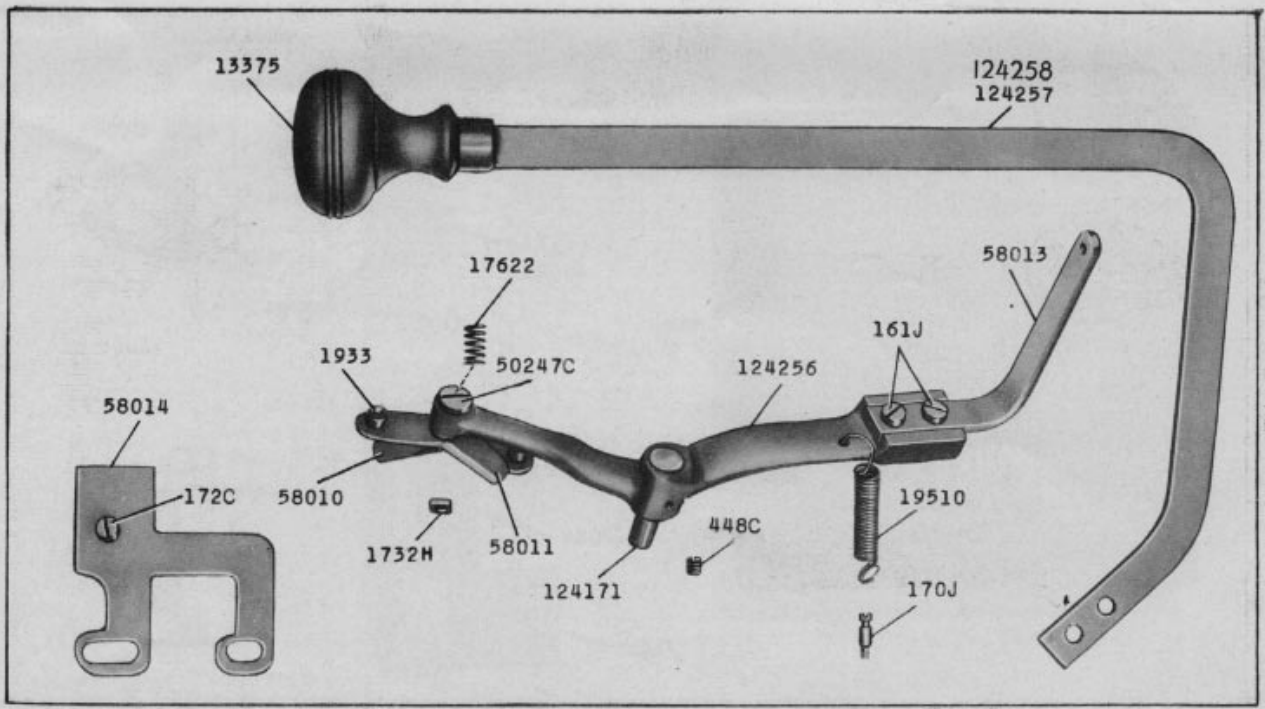


21523 - 2/3

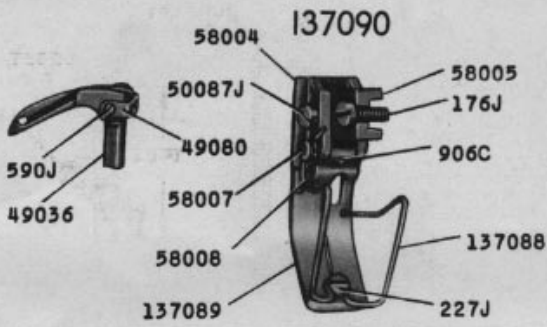
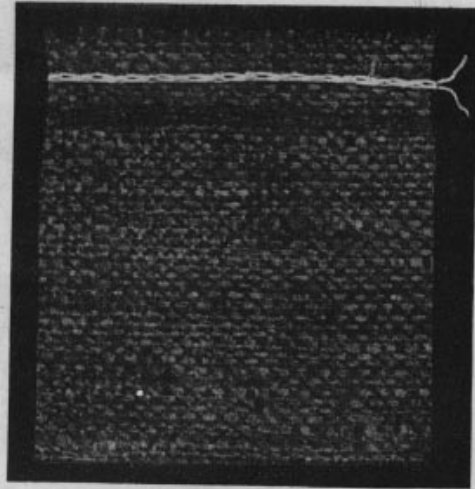
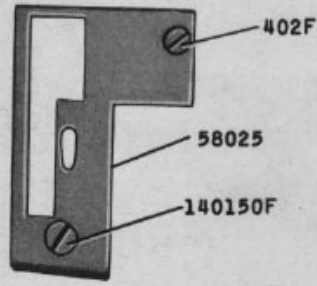
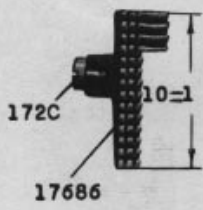




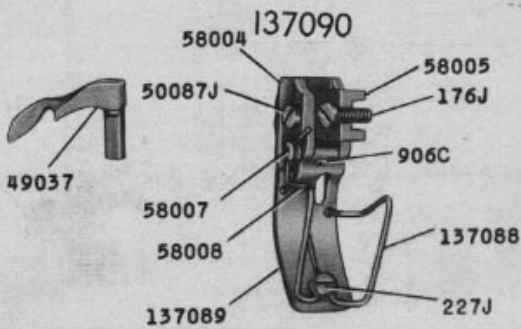
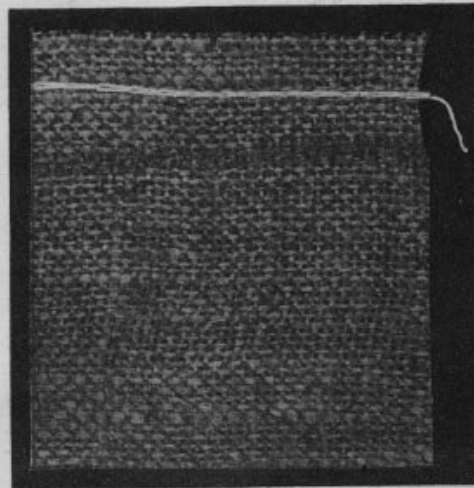
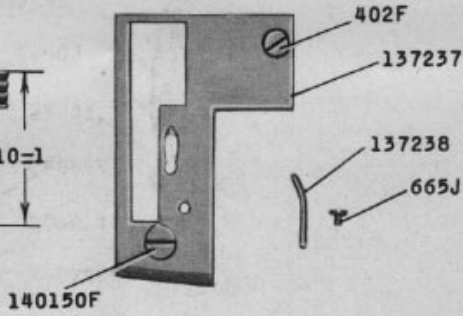
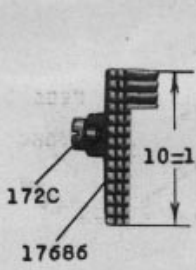
21524 - 2/3



21525 - 1/2



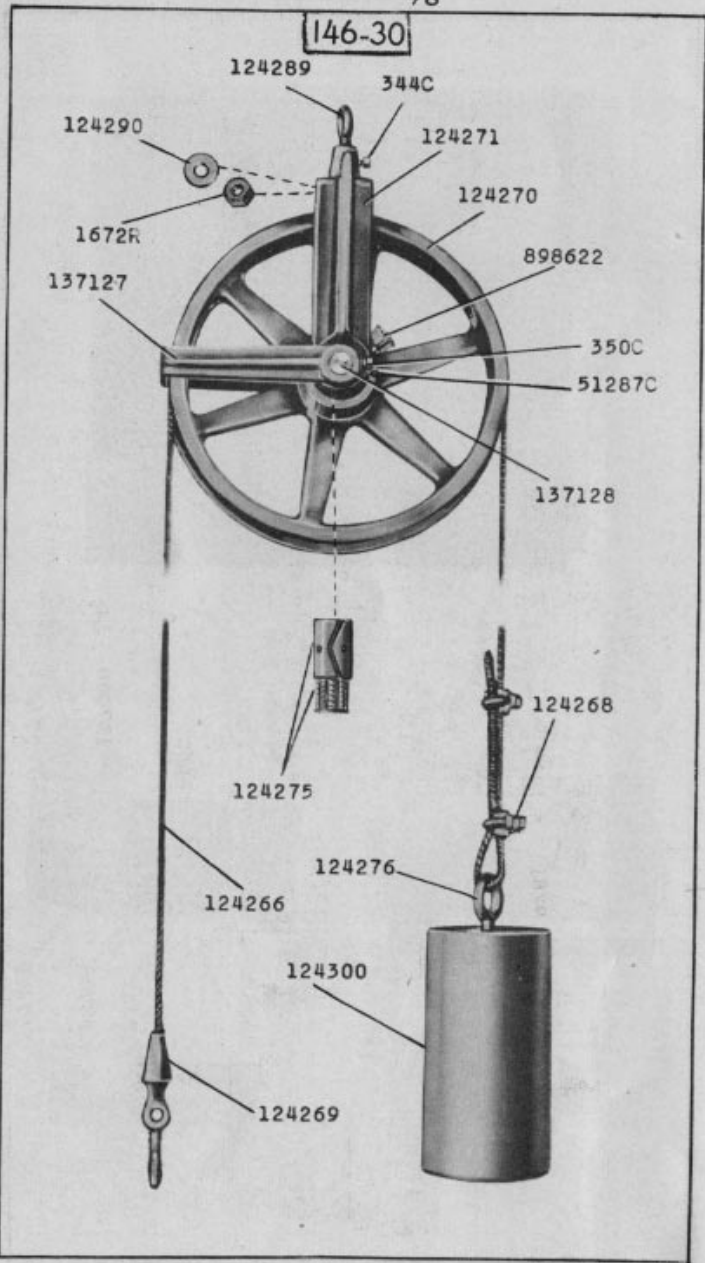
21526 - 2/3



21527 - 2/3
146-1

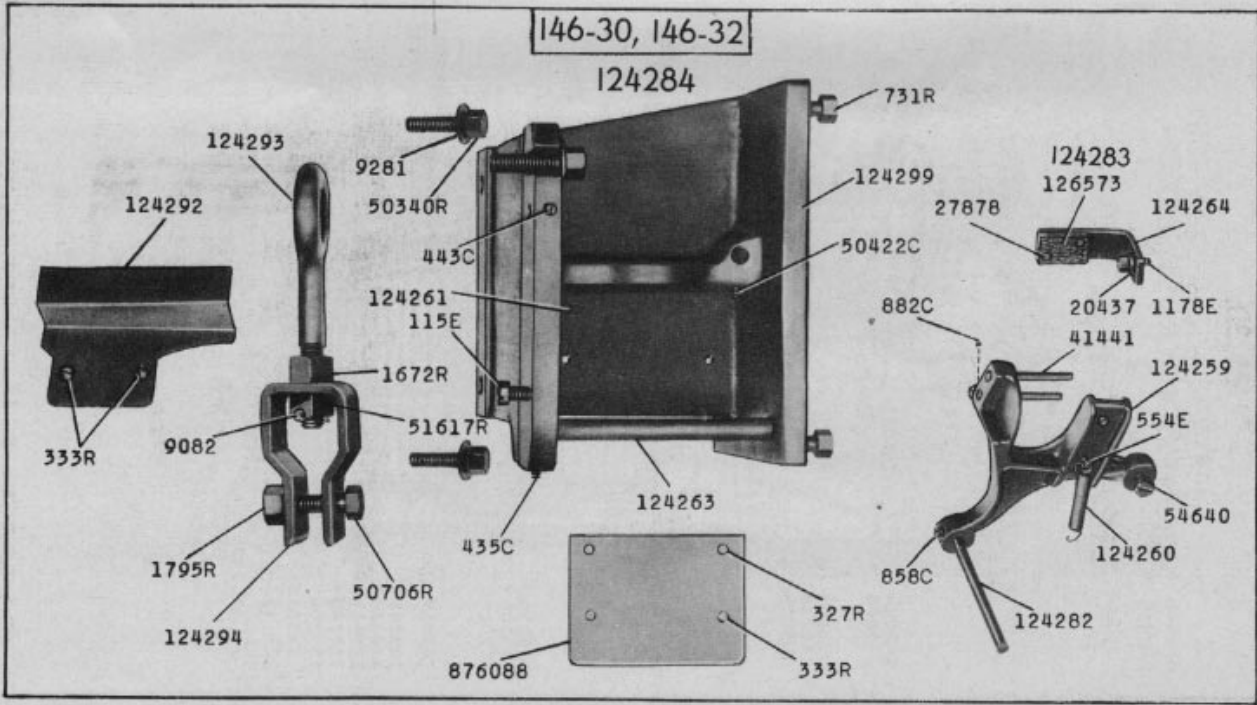
21528 - 1/8

146-30



146-30, 146-32

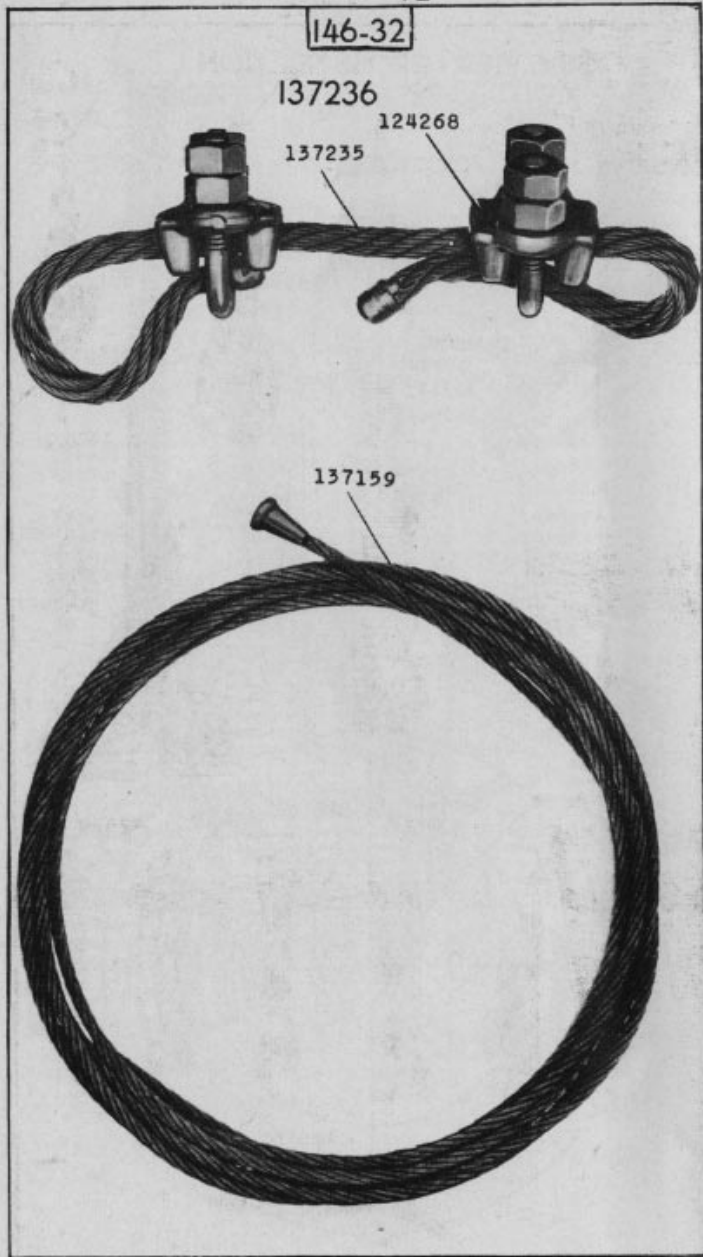
124284



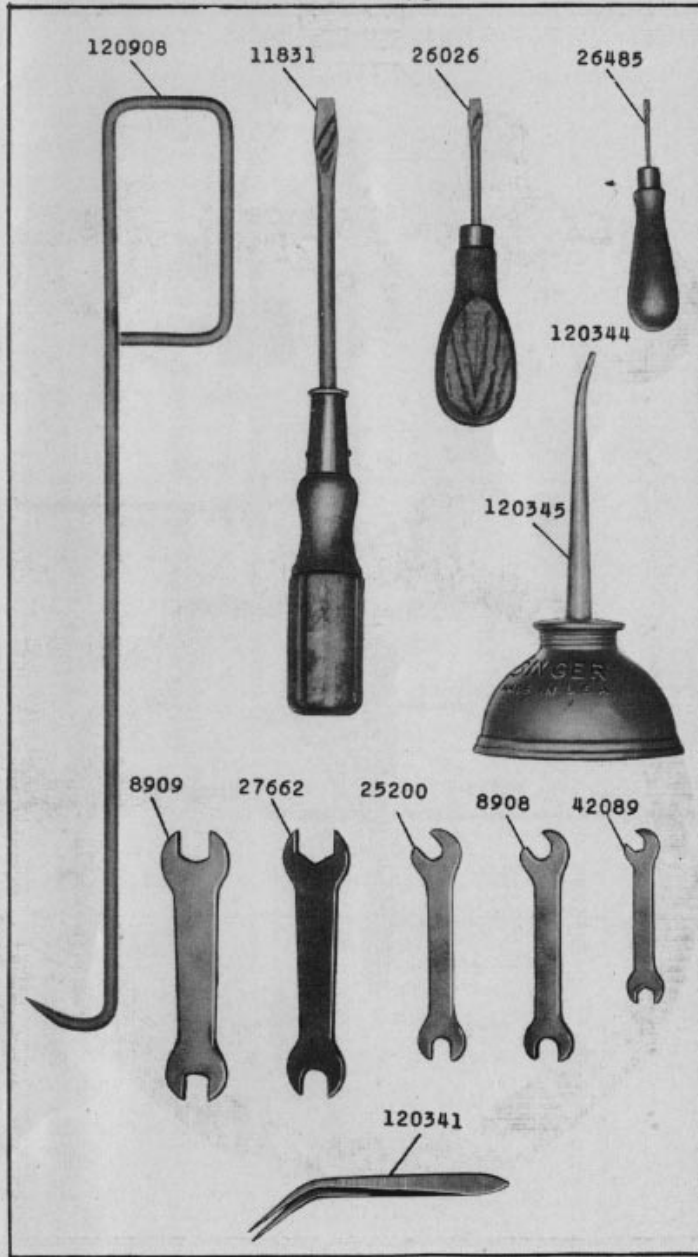
21529 - 1/4

21531 - 1/2

146-32

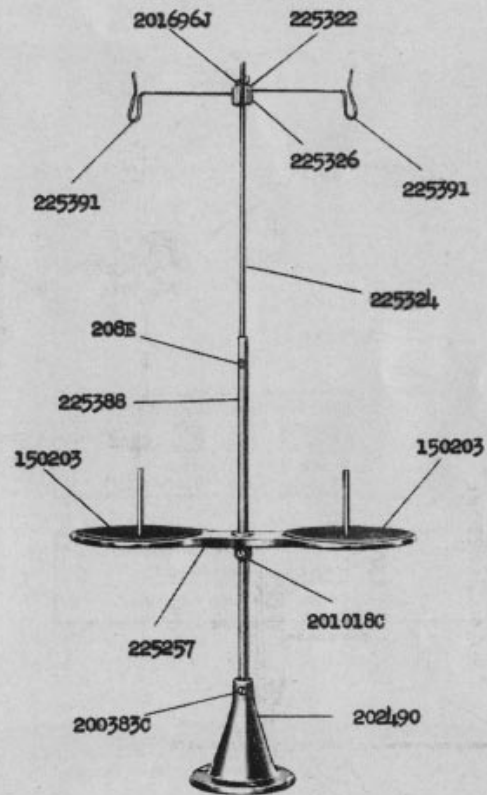


21532 - 1/3



22248 - 1/6

225258



27139



225390

