

SINGER
457U135,U140

ILLUSTRATED

PARTS LIST

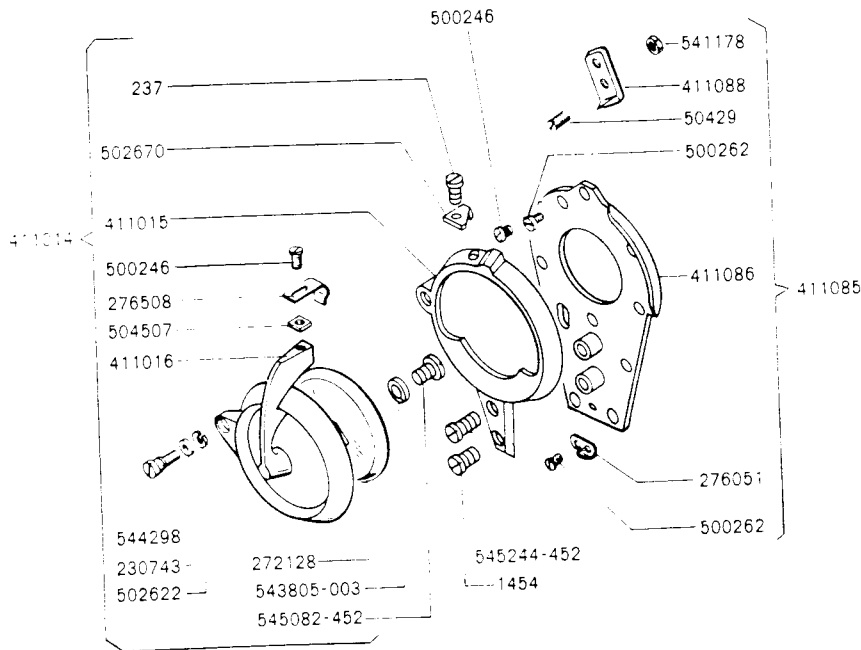
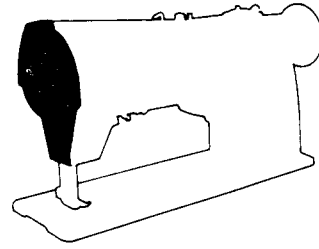
FOR

SINGER*

MACHINE

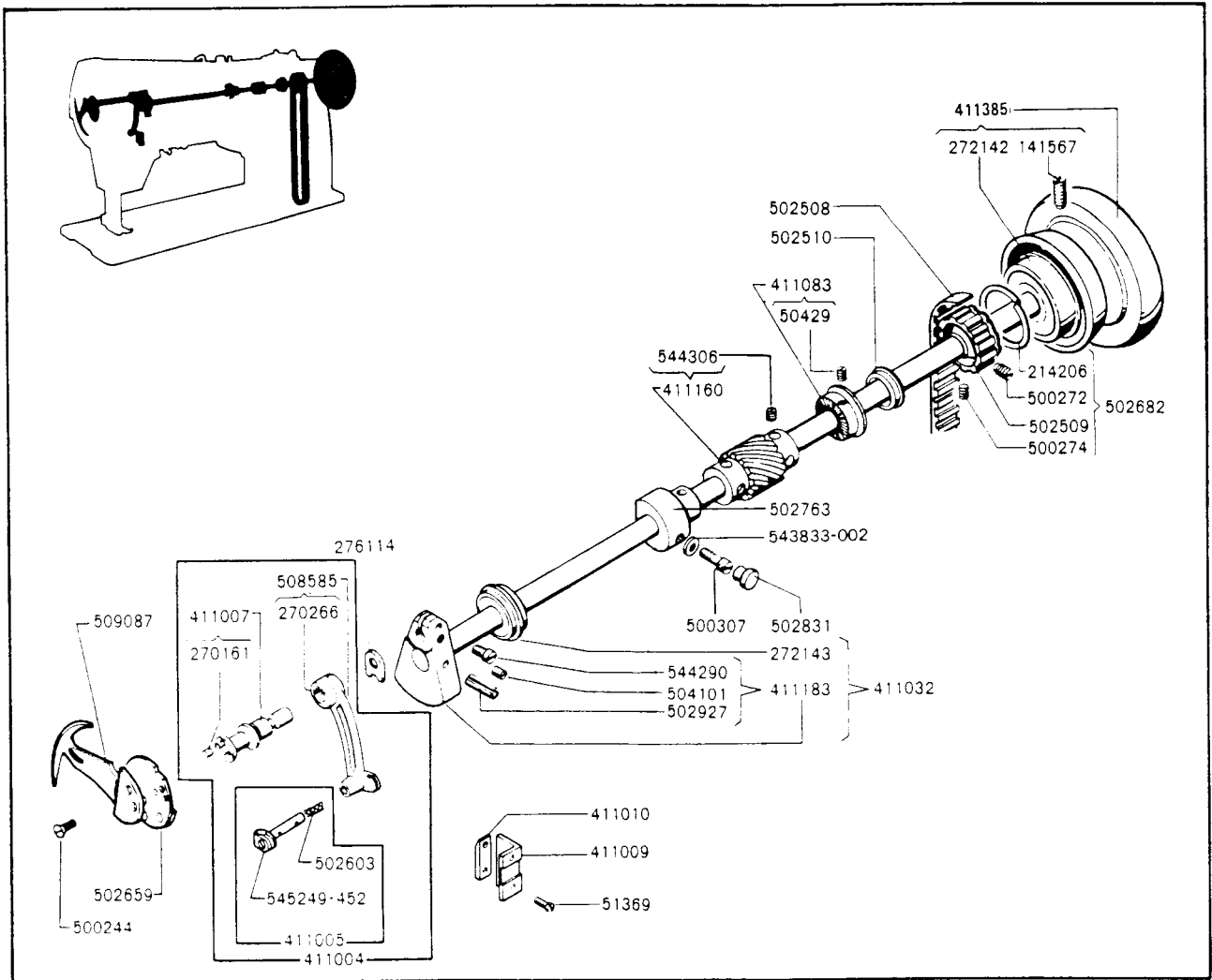
457U135

457U140

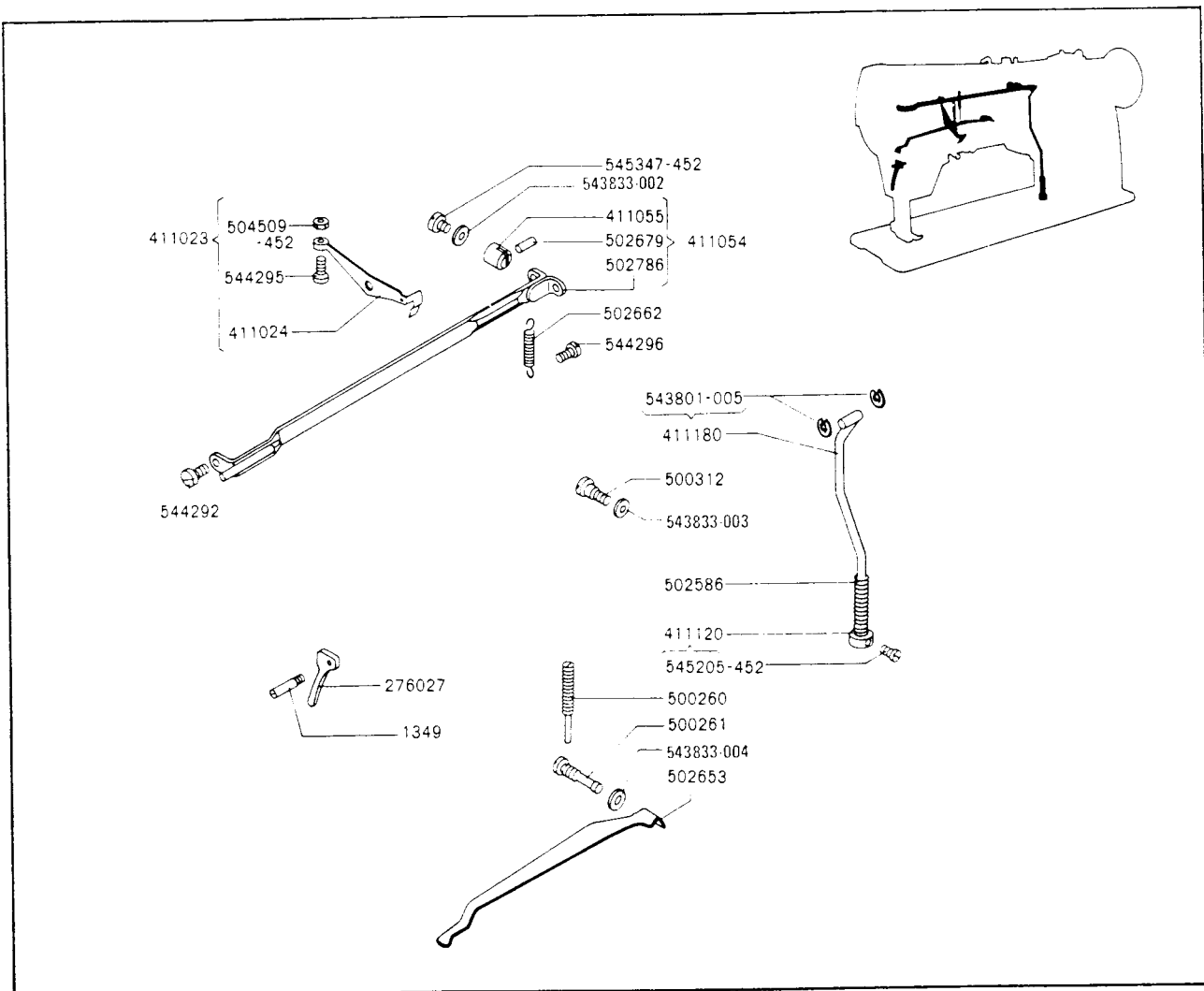


237-833 THREAD CUTTER (ON ROTARY TAKE-UP GUARD) SCREW
 1454-850 ROTARY TAKE-UP GUARD SCREW (SHORT)
 50429-833 THREAD CUTTER (ON FACE PLATE) ADJUSTING SCREW
 230743 ROTARY TAKE-UP GUARD HINGE SCREW SPRING WASHER
 272128 ROTARY TAKE-UP GUARD COVER WINDOW
 276051 THREAD GUIDE (ON FACE PLATE)
 276508 ROTARY TAKE-UP GUARD SPRING CATCH
 411014 ROTARY TAKE-UP GUARD CPL. NOS., 237, 230743, 272128, 276508, 411015, 411016, 500246, 502622, 502670, 504507, 543805-003, 544298 AND 545082-452
 411015 ROTARY TAKE-UP GUARD
 411016 ROTARY TAKE-UP GUARD COVER
 411085 FACE PLATE CPL. NOS., 50429, 276051, 411086, 411088, 541178 AND TWO 500262

411086 FACE PLATE
 411088 THREAD CUTTER (ON FACE PLATE)
 500246-850 FACE PLATE SCREW (8)
 500246-850 ROTARY TAKE-UP GUARD SPRING CATCH SCREW
 500262-833 THREAD GUIDE (ON FACE PLATE) SCREW
 500262-833 THREAD CUTTER (ON FACE PLATE) SCREW
 502622 ROTARY TAKE-UP GUARD HINGE SCREW SPRING WASHER
 502670 THREAD CUTTER (ON ROTARY TAKE-UP GUARD)
 504507 SPRING CATCH SCREW NUT
 541178 THREAD CUTTER (ON FACE PLATE) ADJUSTING SCREW NUT
 543805-003 ROTARY TAKE-UP COVER WINDOW WASHER
 544298 ROTARY TAKE-UP GUARD HINGE SCREW
 545082-452 ROTARY TAKE-UP GUARD COVER WINDOW SCREW
 545244-452 ROTARY TAKE-UP GUARD SCREW (LONG)

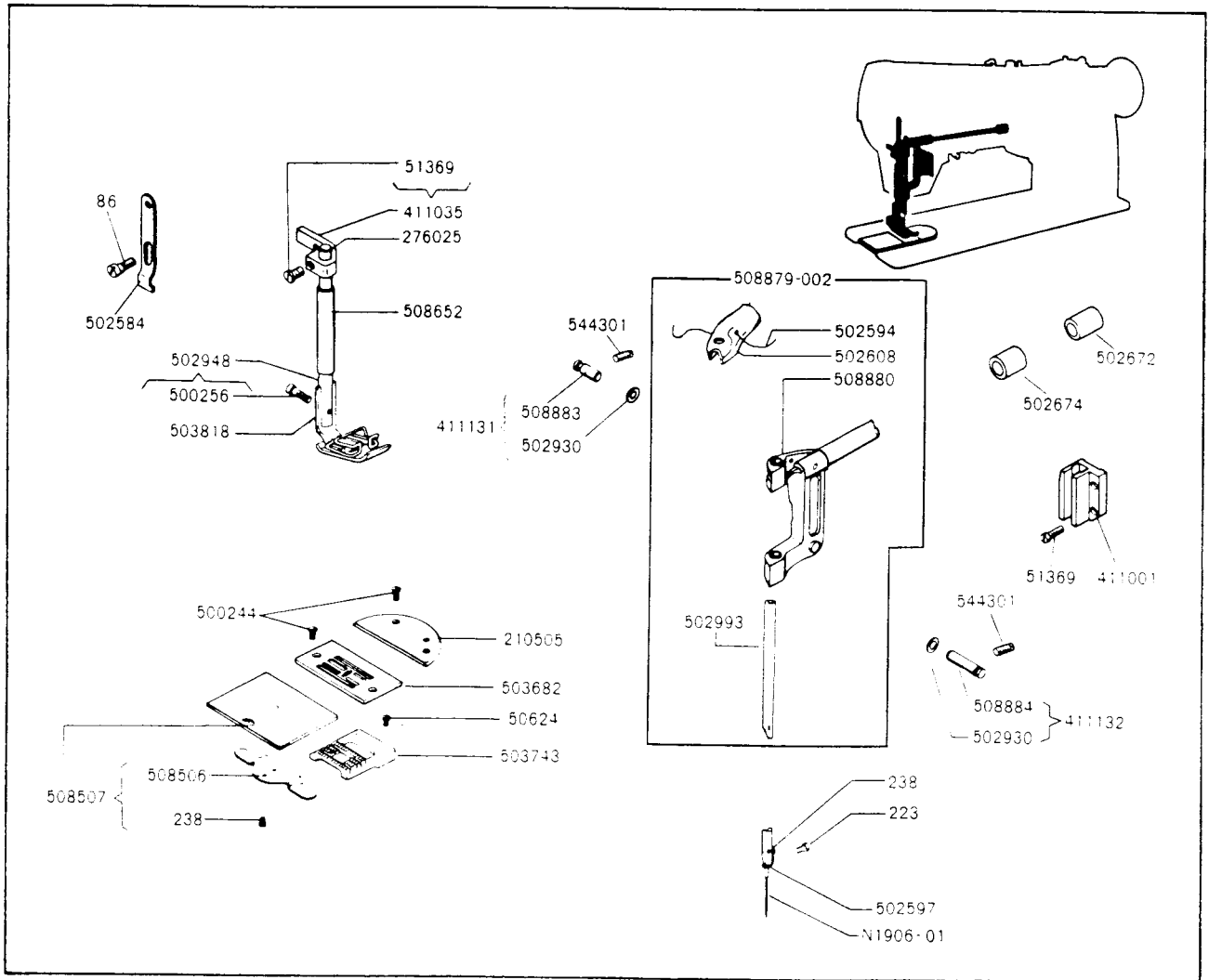


50429-833	BOBBIN WINDER DRIVING WHEEL SCREW (2)	411385	MACHINE PULLEY WITH 272142 AND TWO 141567
51369-850	NEEDLE BAR CONNECTING LINK CLAMPING PLATE SCREW (2)	500244	ROTARY TAKE-UP SCREW (2)
141567-833	MACHINE PULLEY SET SCREW (2)	500272-830	ARM SHAFT CONNECTION BELT PULLEY SET SCREW
214206	ARM SHAFT CONNECTION BELT PULLEY SPRING FLANGE	500274-833	ARM SHAFT CONNECTION BELT PULLEY POSITION SCREW
270161	NEEDLE BAR CRANK STUD PIN	500307-850	ARM SHAFT BUSHING (CENTER) SCREW
270266	NEEDLE BAR CONNECTING LINK NEEDLE BEARING	502508	ARM SHAFT CONNECTION BELT
272142	MACHINE PULLEY BALL BEARING	502509	ARM SHAFT CONNECTION BELT PULLEY
272143	ARM SHAFT BALL BEARING	502510	ARM SHAFT OIL SHIELD
276114	NEEDLE BAR CONNECTING LINK THRUST WASHER	502603	NEEDLE BAR CONNECTING STUD OIL WICK
411004	NEEDLE BAR CONNECTING STUD, CONNECTING LINK CPL. NOS., 411005, 411007 AND 508585	502659	ROTARY TAKE-UP MOUNTING DISC
411005	NEEDLE BAR CONNECTING STUD WITH 502603 AND 545249-452	502682	ARM SHAFT CONNECTION BELT PULLEY CPL. NOS., 214206, 500272, 500274 AND 502509
411007	NEEDLE BAR CRANK STUD WITH 270161	502763	ARM SHAFT BUSHING (CENTER)
411009	NEEDLE BAR CONNECTING LINK GUIDE BLOCK	502831	ARM SHAFT BUSHING (CENTER) SCREW PLUG
411010	NEEDLE BAR CONNECTING LINK CLAMP PLATE	504101	NEEDLE BAR CRANK STUD POSITION SCREW
411032	ARM SHAFT CPL. NOS., 272143 AND 411183	508585	NEEDLE BAR CONNECTING LINK WITH 270266
411083	BOBBIN WINDER DRIVING WHEEL WITH TWO 50429	509087	ROTARY TAKE-UP
411160	NEEDLE VIBRATING WORM GEAR WITH FOUR 544306	543833-002	ARM SHAFT BUSHING (CENTER) SCREW GASKET
411183	ARM SHAFT AND NEEDLE BAR CRANK WITH 502927, 504101 AND 544290	544290	NEEDLE BAR CRANK STUD PINCH SCREW
		544306	NEEDLE VIBRATING WORM GEAR SET SCREW (4)
		545249-452	NEEDLE BAR CONNECTING STUD SCREW



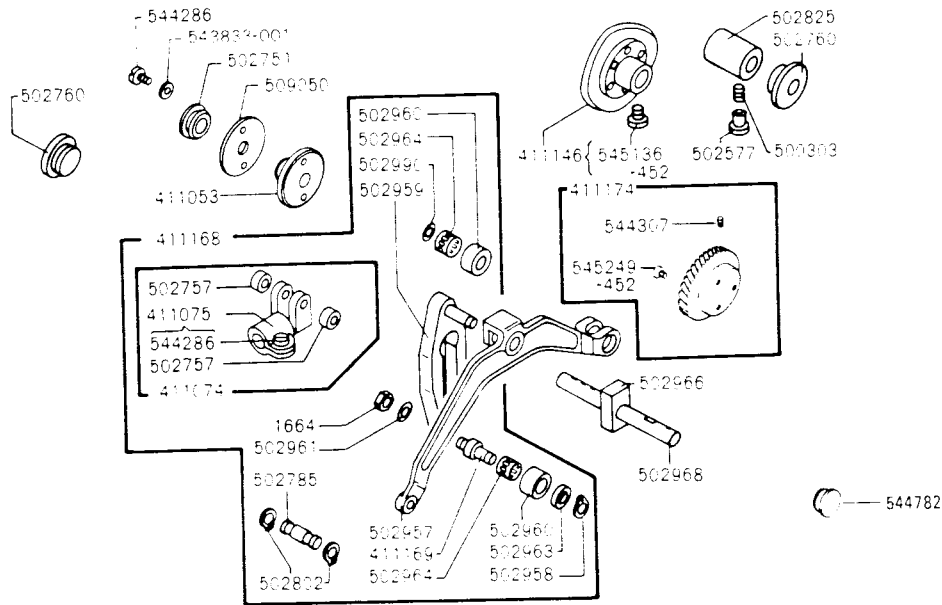
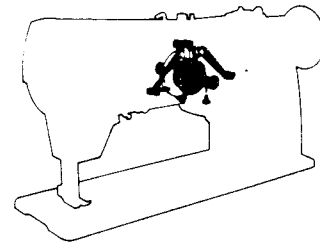
1349-850 PRESSER BAR LIFTER HINGE SCREW
 276027 PRESSER BAR LIFTER
 411023 TENSION RELEASER CPL. NOS., 411024,
 504509-452 AND 544295
 411024 TENSION RELEASER
 411054 KNEE LIFTER ROCK FRAME CPL. NOS., 411055,
 502679 AND 502786
 411055 KNEE LIFTER ROCK FRAME HINGE STUD
 411120 KNEE LIFTER LIFTING ROD SPRING COLLAR
 WITH 545205-452
 411180 KNEE LIFTER LIFTING ROD WITH TWO
 543801-005
 500260-833 PRESSER BAR SPRING ADJUSTING SCREW
 500261-850 PRESSER BAR SPRING SCREW STUD
 500312-850 LIGHT STUD HOLE SCREW PLUG (FOR UN-USED
 HOLE)
 502586 KNEE LIFTER LIFTING ROD SPRING

502653 PRESSER BAR SPRING
 502662 TENSION RELEASER SPRING
 502679 KNEE LIFTER ROCK FRAME HINGE STUD PIN
 502786 KNEE LIFTER ROCK FRAME
 504509-452 TENSION RELEASER ADJUSTING SCREW LOCK
 NUT
 543801-005 KNEE LIFTER LIFTING ROD GRIP RING (2)
 543833-002 KNEE LIFTER LOCK FRAME HINGE STUD
 GASKET
 543833-003 LIGHT STUD HOLE SCREW PLUG GASKET
 543833-004 PRESSER BAR SPRING SCREW STUD GASKET
 544292 KNEE LIFTER ROCK FRAME HINGE SCREW
 544295 TENSION RELEASER ADJUSTING SCREW
 544296 TENSION RELEASER HINGE SCREW
 545205-452 KNEE LIFTER LIFTING ROD COLLAR SET SCREW
 545347-452 KNEE LIFTER ROCK FRAME HINGE STUD LOCK
 SCREW



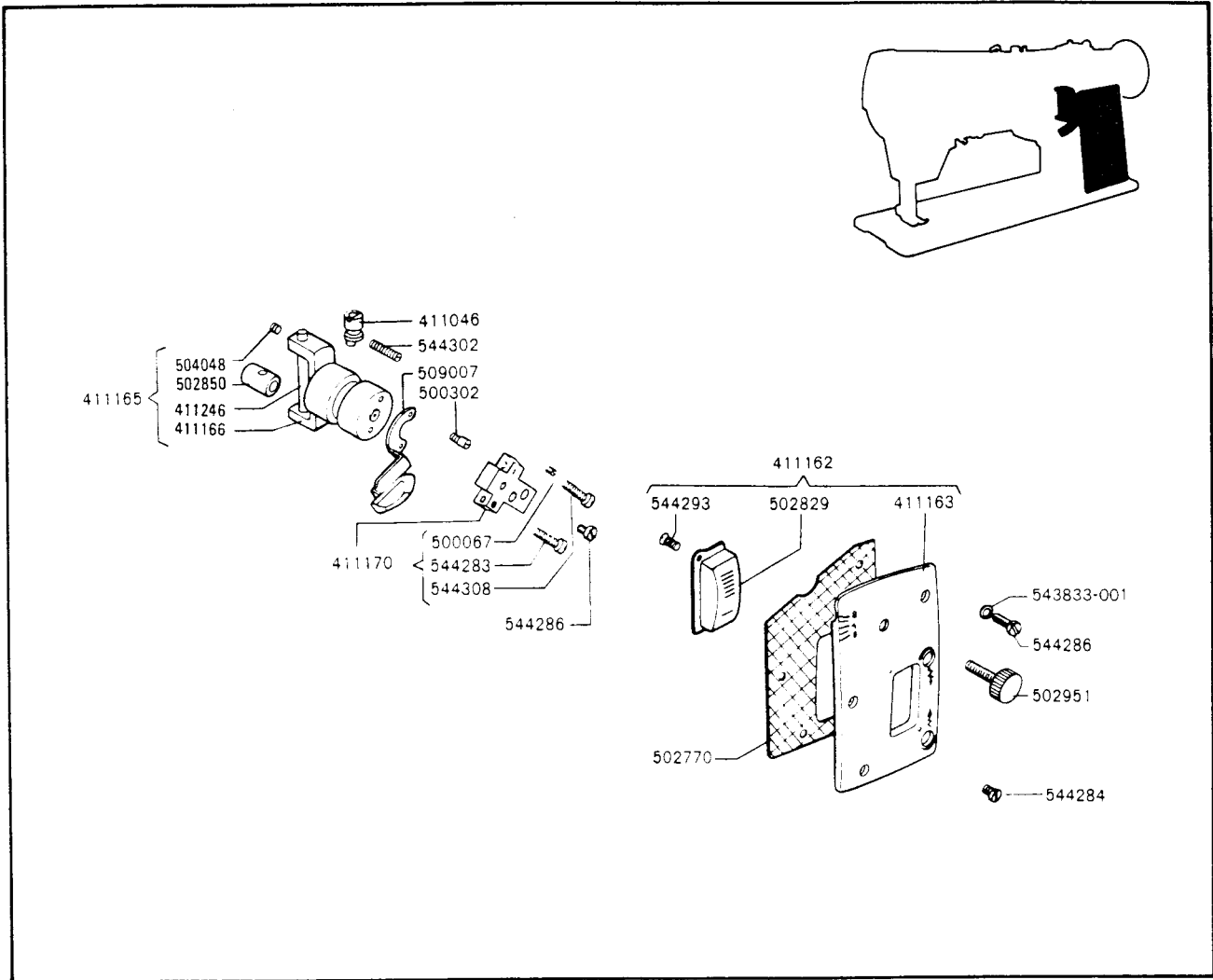
86-850	KNEE LIFTER LIFTING LINK SCREW
223	NEEDLE SET SCREW
238	NEEDLE BAR THREAD GUIDE SET SCREW
238	BED SLIDE SPRING SCREW (2)
N1906-01	NEEDLE (CAT.NO. 1906-01, #14)
50624-833	FEED DOG SCREW (2)
51369-850	NEEDLE BAR CONNECTING STUD GUIDE BLOCK SCREW (2)
51369-850	PRESSER BAR POSITION GUIDE PINCH SCREW
210505	BED PLATE
276025	PRESSER BAR BALL
411001	NEEDLE BAR CONNECTING STUD GUIDE BLOCK
411035	PRESSER BAR POSITION GUIDE WITH 51369
411131	NEEDLE BAR YOKE GUIDE (REAR) CPL. NOS., 502930 AND 508883
411132	NEEDLE BAR YOKE GUIDE (FRONT) CPL. NOS., 502930 AND 508884
500244	BED PLATE SCREW (2)
500244	THROAT PLATE SCREW (2)
500256	PRESSER FOOT SCREW
502584	KNEE LIFTER LIFTING LINK

502594	NEEDLE BAR OIL FELT CORD
502597	NEEDLE BAR THREAD GUIDE
502608	NEEDLE BAR OIL FELT
502672	NEEDLE BAR YOKE BEARING (BACK)
502674	NEEDLE BAR YOKE BEARING (FRONT)
502930	NEEDLE BAR YOKE GUIDE SEAL (FRONT AND REAR) (2)
502948	PRESSER BAR WITH 500256
502993	NEEDLE BAR
503682	THROAT PLATE
503743	FEED DOG
503818	PRESSER FOOT
508506	BED SLIDE SPRING
508507	BED SLIDE WITH 508506 AND TWO 238
508652	PRESSER BAR BUSHING
508879-002	NEEDLE BAR YOKE CPL. NOS., 502594, 502608, 502993 AND 508880
508880	NEEDLE BAR YOKE
508883	NEEDLE BAR YOKE GUIDE (REAR)
508884	NEEDLE BAR YOKE GUIDE (FRONT)
544301	NEEDLE BAR YOKE GUIDE SET SCREW (2)

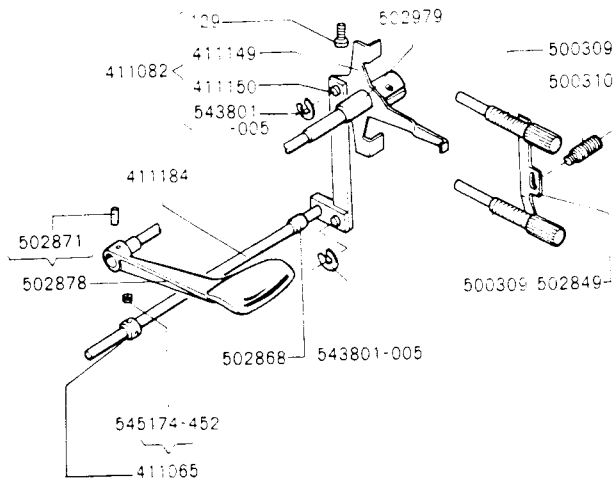
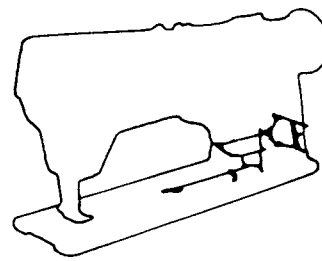


1664-850 NEEDLE VIBRATING CAM ROLLER STUD NUT
 411053 NEEDLE VIBRATING CAM SHAFT BUSHING (BACK)
 411074 NEEDLE BAR YOKE CONNECTING LINK HINGE
 BEARING CPL. NOS., 411075 AND TWO 502757
 411075 NEEDLE BAR YOKE CONNECTING LINK HINGE
 BEARING WITH 544826
 411146 NEEDLE VIBRATING CAM WITH TWO 545136-452
 411168 NEEDLE BAR YOKE CONNECTING LINK CPL. NOS.,
 1664, 411074, 411169, 502785, 502957, 502959, 502961,
 502963, 502990, TWO EACH 502802, 502958, 502960
 AND 502964
 411169 NEEDLE VIBRATING CAM ROLLER STUD
 411174 NEEDLE VIBRATING WORM WHEEL CPL. NOS., TWO
 544307 AND THREE 545249-452
 500303-869 NEEDLE VIBRATING CFM SHAFT BUSHING (FRONT)
 SET SCREW
 502577 NEEDLE VIBRATING CAM SHAFT BUSHING (FRONT)
 SET SCREW PLUG
 502751 NEEDLE VIBRATING CAM SHAFT BUSHING (BACK)
 PLUG
 502757 NEEDLE BAR YOKE CONNECTING LINK HINGE
 BEARING BUSHING (2)
 502760 NEEDLE VIBRATING CAM SHAFT BUSHING (FRONT)
 PLUG
 502760 ARM HOLE PLUG
 502785 NEEDLE BAR YOKE CONNECTING LINK HINGE
 BEARING STUD

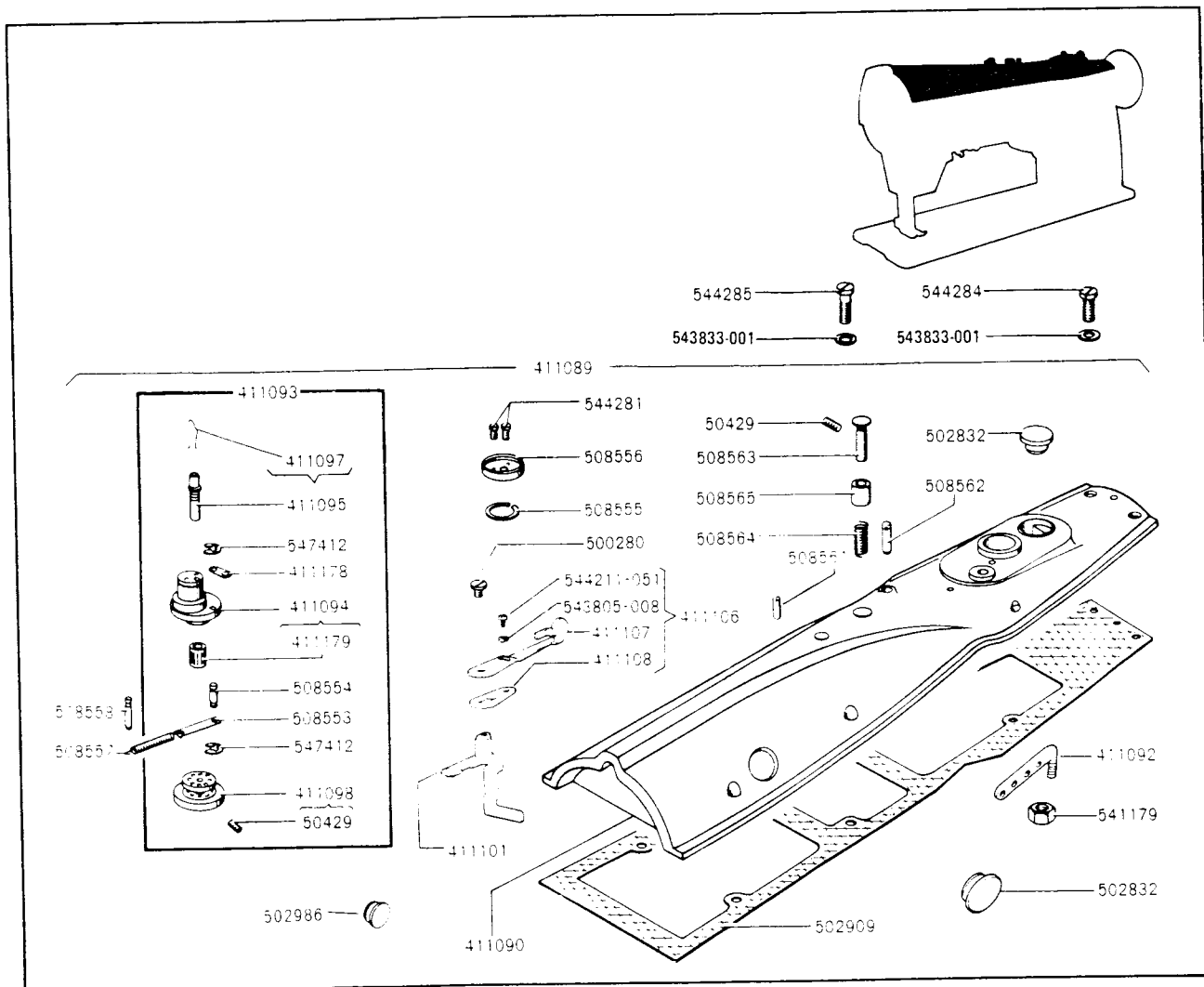
502802 NEEDLE BAR YOKE CONNECTING LINK HINGE
 STUD SNAP RING (2)
 502825 NEEDLE VIBRATING CAM SHAFT BUSHING (FRONT)
 502957 NEEDLE BAR YOKE CONNECTING LINK
 502958 NEEDLE BAR YOKE CONNECTING LINK SNAP RING
 (2)
 502959 NEEDLE VIBRATING CAM ROLLER GUIDE
 502960 NEEDLE VIBRATING CAM ROLLER (2)
 502961 NEEDLE VIBRATING CAM ROLLER STUD SPRING
 WASHER
 502963 NEEDLE VIBRATING CAM ROLLER STUD WASHER
 502964 NEEDLE VIBRATING CAM ROLLER NEEDLE BEARING
 CAGE (2)
 502966 NEEDLE VIBRATING CAM SHAFT SLIDE BLOCK
 502968 NEEDLE VIBRATING CAM SHAFT
 502990 NEEDLE VIBRATING CAM ROLLER SPRING WASHER
 509050 NEEDLE VIBRATING CAM SHAFT BUSHING SPACER
 543833-001 NEEDLE VIBRATING CAM SHAFT BUSHING (BACK)
 SCREW GASKET (2)
 544286 NEEDLE VIBRATING ECCENTRIC SHAFT BUSHING
 (BACK) SCREW (2)
 544286 NEEDLE BAR YOKE CONNECTING LINK HINGE
 BEARING PINCH SCREW
 544307 NEEDLE VIBRATING WORM WHEEL SET SCREW (2)
 544782 NEEDLE POSITION FINE ADJUSTMENT HOLE PLUG
 545136-452 NEEDLE VIBRATING CAM SET SCREW (2)
 545249-452 NEEDLE VIBRATING WORM WHEEL DISC SCREW (3)



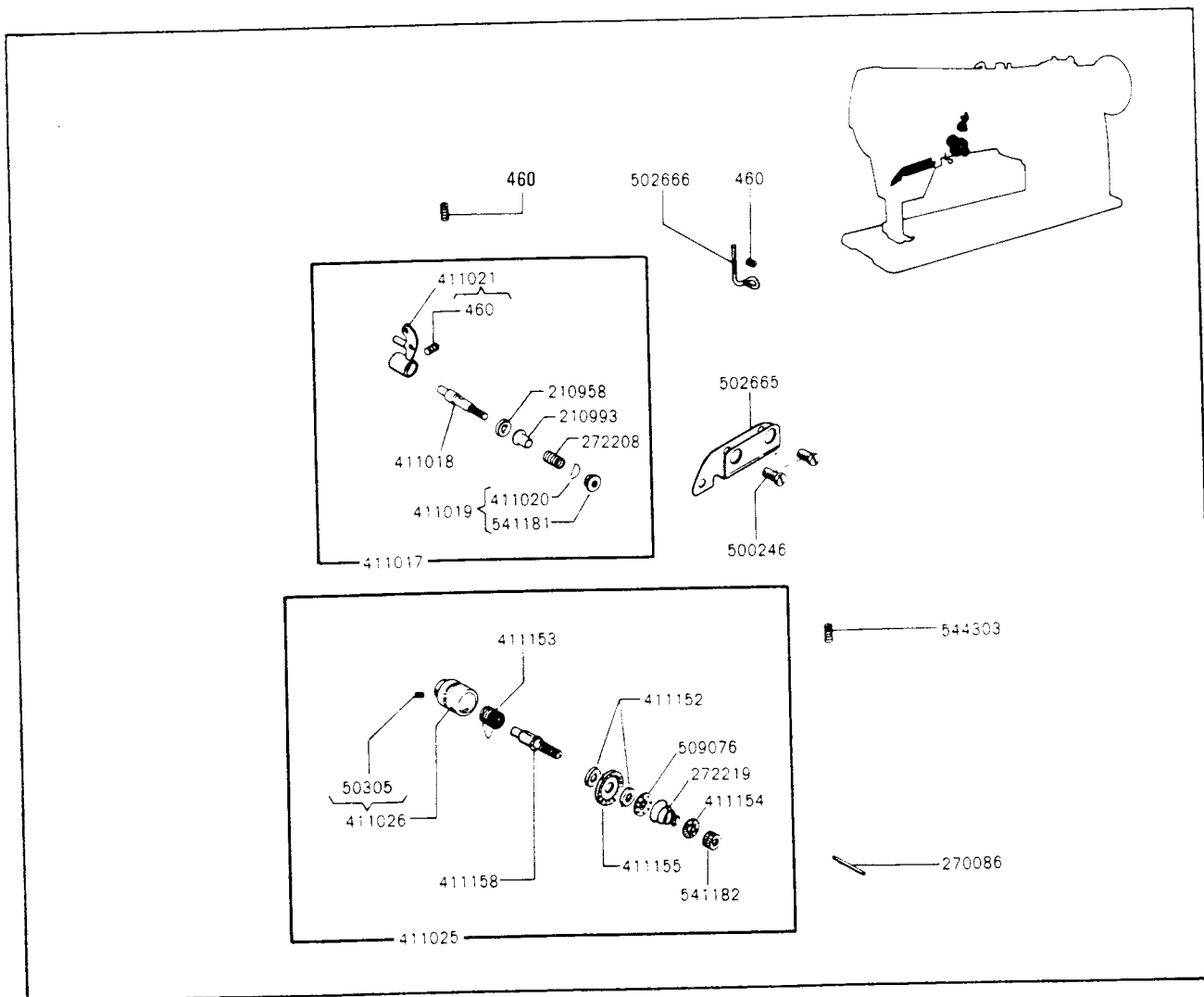
411046	NEEDLE POSITION ADJUSTING CAM REGULATING STUD	502829	STITCH LENGTH INDICATOR PLATE
* 411162	ARM COVER (FRONT) CPL. NOS., 411163, 502829 AND TWO 544293	502850	NEEDLE BAR YOKE CONNECTING LINK SLIDE BEARING
* 411163	ARM COVER (FRONT)	502951-850	NEEDLE POSITION ADJUSTING CAM SET SCREW
411165	NEEDLE BAR YOKE CONNECTING LINK CARRIER FRAME AND BLOCK CPL. NOS., 411166, 502850, 411246 AND TWO 504048	504048	NEEDLE BAR YOKE CONNECTING LINK CARRIER FRAME SLIDE STUD SET SCREW (2)
411166	NEEDLE BAR YOKE CONNECTING LINK CARRIER FRAME	509007	NEEDLE POSITION ADJUSTING LEVER
411170	NEEDLE POSITION ADJUSTING CAM SLIDE BLOCK BRACKET CPL. NOS., 544283, 544308 AND TWO 500067	543833-001	ARM COVER (FRONT) SCREW GASKET RING (3)
411246	NEEDLE BAR YOKE CONNECTING LINK SLIDE STUD	544283	NEEDLE POSITION ADJUSTING CAM STOP SCREW (UPPER)
500067-833	NEEDLE POSITION ADJUSTING CAM STOP SCREW SET SCREW (2)	544284	ARM COVER (FRONT) PLUG SCREW
500302-850	NEEDLE POSITION ADJUSTING ECCENTRIC STOP SCREW (2)	544286	NEEDLE POSITION ADJUSTING CAM SLIDING BLOCK BRACKET SCREW (2)
502770	ARM COVER (FRONT) GASKET	544286	ARM COVER (FRONT) SCREW (3)
		544293	STITCH LENGTH INDICATOR PLATE SCREW (2)
		544302	NEEDLE POSITION ADJUSTING CAM REGULATING STUD SET SCREW
		544308	NEEDLE POSITION ADJUSTING CAM STOP SCREW (LOWER)



- | | | | |
|--------------|---|--------------|--|
| • 129-850 | FEED REGULATING SHAFT INDICATOR LEVER SCREW | • 502849 | FEED REGULATING SHAFT INDICATOR STOP SCREW |
| • 411065 | FEED REGULATING CONNECTION SHAFT COLLAR WITH TWO 545174-452 | • 502868 | FEED REGULATING CONNECTION SHAFT BUSHING |
| • 411082 | FEED REGULATING SHAFT INDICATOR CPL. NOS., 129, 411149, 411150 AND 543801-005 | • 502871 | FEED REGULATING SHAFT LEVER POSITION PIN |
| • 411149 | FEED REGULATING SHAFT INDICATOR LEVER | • 502878 | FEED REGULATING SHAFT LEVER WITH 502871 |
| • 411150 | FEED REGULATING SHAFT INDICATOR LEVER CONNECTING LINK | • 502979 | FEED REGULATING SHAFT SPACER |
| • 411184 | FEED REGULATING CONNECTION SHAFT | 543801-005 | FEED REGULATING SHAFT INDICATOR LEVER HINGE STUD RETAINER |
| • 500309-850 | FEED REGULATING SHAFT INDICATOR STOP SCREW (2) | 543801-005 | FEED REGULATING CONNECTION SHAFT CRANK LINK RETAINING RING |
| • 500310-833 | FEED REGULATING RETAINING SPRING SCREW | • 545174-452 | FEED REGULATING CONNECTION SHAFT COLLAR SET SCREW (2) |

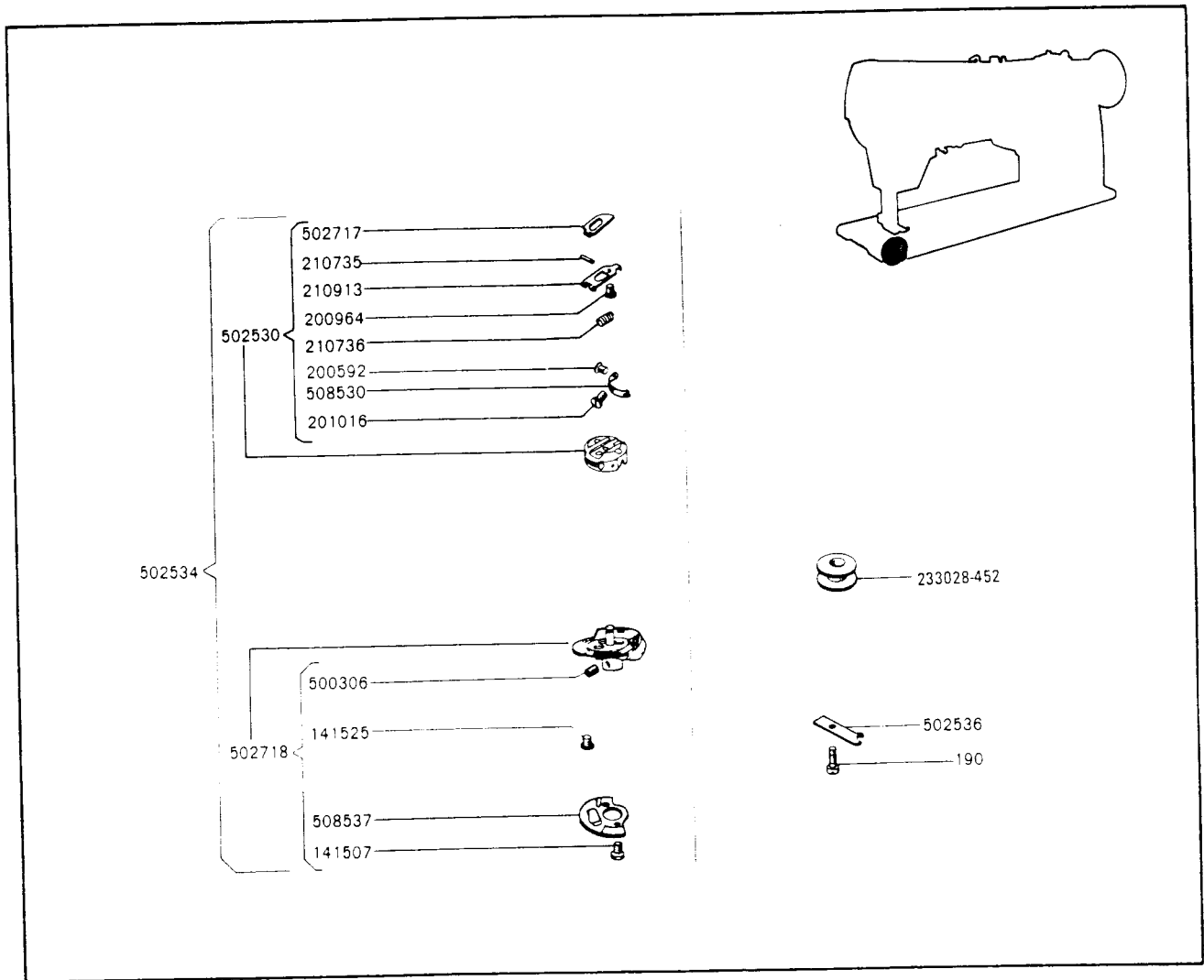


50429-833	BOBBIN WINDER SHAFT FRICTION WHEEL SET SCREW (2)	502832	ARM COVER (TOP) PLUG (2)
50429-833	ARM COVER (TOP) THREAD TENSION STUD SET SCREW	502909	ARM COVER (TOP) GASKET
411089	ARM COVER (TOP) CPL. NOS., 50429, 411090, 411092, 411093, 411101, 411106, 500280, 502909, 502986, 508555 TO 508558, 508562 TO 508565, 541179, TWO EACH 502832, 508561, AND 544281	502986	PRESSER WINDER SHAFT BUSHING (ECCENTRIC)
411090	ARM COVER (TOP)	508553	BOBBIN WINDER SHAFT BUSHING (ECCENTRIC) LINK STUD
411092	THREAD RETAINER	508554	BOBBIN WINDER SHAFT BUSHING (ECCENTRIC) SNAP RING
411093	BOBBIN WINDER SHAFT BUSHING (ECCENTRIC) CPL. NOS., 411094, 411095, 411098, 411178, 508553, 508554 AND TWO 547412	508555	BOBBIN WINDER SHAFT BUSHING (ECCENTRIC) THREAD GUARD
411094	BOBBIN WINDER SHAFT BUSHING (ECCENTRIC) WITH 411179	508556	BOBBIN WINDER SHAFT BUSHING (ECCENTRIC) COIL SPRING
411095	BOBBIN WINDER SHAFT WITH 411097	508557	BOBBIN WINDER SHAFT BUSHING (ECCENTRIC) COIL SPRING STUD
411097	BOBBIN SNAP SPRING	508558	ARM COVER (TOP) POSITION PIN (2)
411098	BOBBIN WINDER SHAFT FRICTION WHEEL WITH TWO 50429	508561	ARM COVER (TOP) THREAD GUIDE STUD
411101	BOBBIN WINDER SHAFT BUSHING (ECCENTRIC) ROCKING LEVER	508562	ARM COVER (TOP) THREAD TENSION STUD
411106	BOBBIN WINDER SHAFT BUSHING (ECCENTRIC) TRIP LEVER CPL. NOS., 411107, 411108, 543805-008 AND 544211-051	508563	ARM COVER (TOP) THREAD TENSION STUD SPRING
411107	BOBBIN WINDER SHAFT BUSHING (ECCENTRIC) TRIP LEVER (LONG)	508564	ARM COVER (TOP) THREAD TENSION STUD DISC
411108	BOBBIN WINDER SHAFT BUSHING (ECCENTRIC) TRIP LEVER (SHORT)	508565	THREAD RETAINER LOCK NUT
411178	BOBBIN WINDER SHAFT BUSHING (ECCENTRIC) CONNECTING LEVER	541179	BOBBIN WINDER SHAFT BUSHING (ECCENTRIC) TRIP LEVER SCREW WASHER
411179	BOBBIN WINDER SHAFT BUSHING (ECCENTRIC) BEARING	543805-008	ARM COVER (TOP) SCREW GASKET RING (8)
500280-850	BOBBIN WINDER SHAFT BUSHING (ECCENTRIC) TRIP LEVER CAP SCREW	544211-051	BOBBIN WINDER SHAFT BUSHING (ECCENTRIC) TRIP LEVER SCREW
		544281	BOBBIN WINDER SHAFT BUSHING (ECCENTRIC) THREAD GUARD FASTENING SCREW (2)
		544284	ARM COVER (TOP) SCREW (SHORT) (4)
		544285	ARM COVER (TOP) SCREW (LONG) (4)
		547412	BOBBIN WINDER SHAFT BUSHING (ECCENTRIC) LINK STUD LOCKING WASHER (2)



460-833 THREAD PULL OFF SET SCREW
 460-833 PRETENSION BRACKET SCREW
 460-833 PRETENSION BRACKET SET SCREW
 50305-850 TENSION STUD SET SCREW
 210958 PRETENSION STUD COLLAR
 210993 PRETENSION SLEEVE
 270086 TENSION RELEASING PIN
 272208 TENSION SPRING
 272219 TENSION SPRING
 411017 PRETENSION CPL. NOS., 210958, 210993, 272208
 411018, 411019 AND 411021
 411018 PRETENSION STUD
 411019 PRETENSION ADJUSTING NUT CPL. NOS., 411020
 AND 541181
 411020 PRETENSION ADJUSTING NUT SPRING
 411021 PRETENSION BRACKET WITH 460

411025 TENSION CPL. NOS., 272219, 411026, 411153 TO
 411155, 411158, 509076, 541182 AND TWO 411152
 411026 THREAD TAKE-UP SPRING REGULATOR WITH 50305
 411152 TENSION FELT WASHER (2)
 411153 THREAD TAKE-UP SPRING
 411154 TENSION THUMB NUT LOCK WASHER
 411155 TENSION WHEEL
 411158 TENSION STUD
 500246-850 THREAD GUIDE SCREW (2)
 502665 THREAD GUIDE
 502666 THREAD PULL OFF
 509076 TENSION RELEASING DISC
 541181 PRETENSION ADJUSTING NUT
 541182 TENSION THUMB NUT
 544303 THREAD REGULATOR SET SCREW

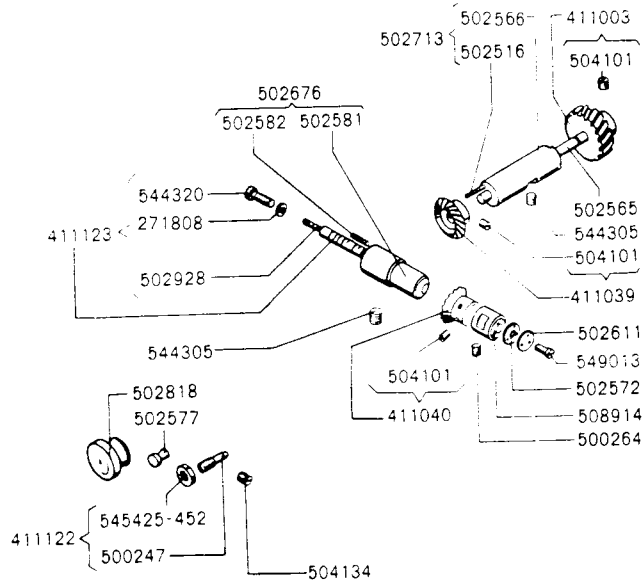
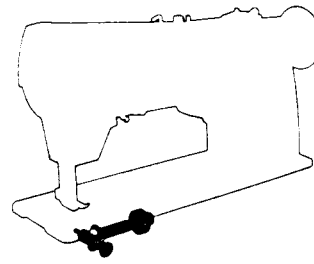


190-850 BOBBIN CASE STOP SCREW
 141507-803 HOOK NEEDLE GUARD AND COUNTERBALANCE SCREW
 141525-806 HOOK GIB SCREW (3)
 200592-803 BOBBIN CASE CAP TENSION SPRING SCREW
 200964-803 BOBBIN CASE CAP TENSION SPRING SCREW
 201016-803 BOBBIN CASE CAP TENSION SPRING REGULATING SCREW
 210735 BOBBIN CASE FULCRUM PIN
 210736 BOBBIN CASE LATCH SPRING
 210913 BOBBIN CASE LATCH
 233028-452 BOBBIN

500306-869 HOOK SET SCREW (2)
 502530 BOBBIN CASE CAP WITH 200592, 200964, 201016, 210735, 210736, 210913, 502717 AND 508530
 502534 HOOK AND BOBBIN CASE CPL. NOS., 502530 AND 502718
 502536 BOBBIN CASE STOP
 502717 BOBBIN CASE LATCH LEVER
 502718 HOOK WITH 141507, 508537, TWO 500306 AND THREE 141525
 508530 BOBBIN CASE CAP TENSION SPRING
 508537 HOOK NEEDLE GUARD AND COUNTERBALANCE

PART NO. DESCRIPTION

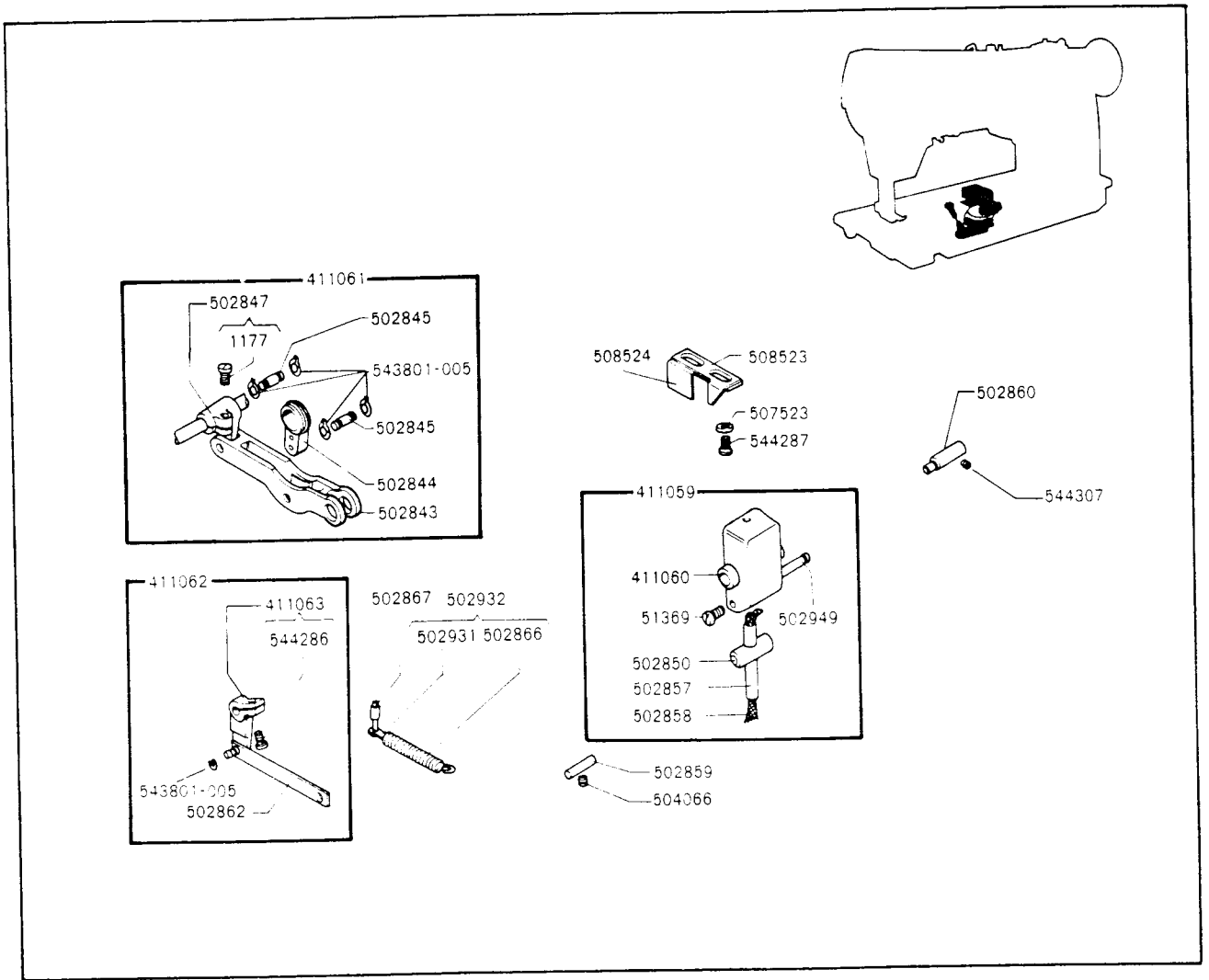
PART NO. DESCRIPTION



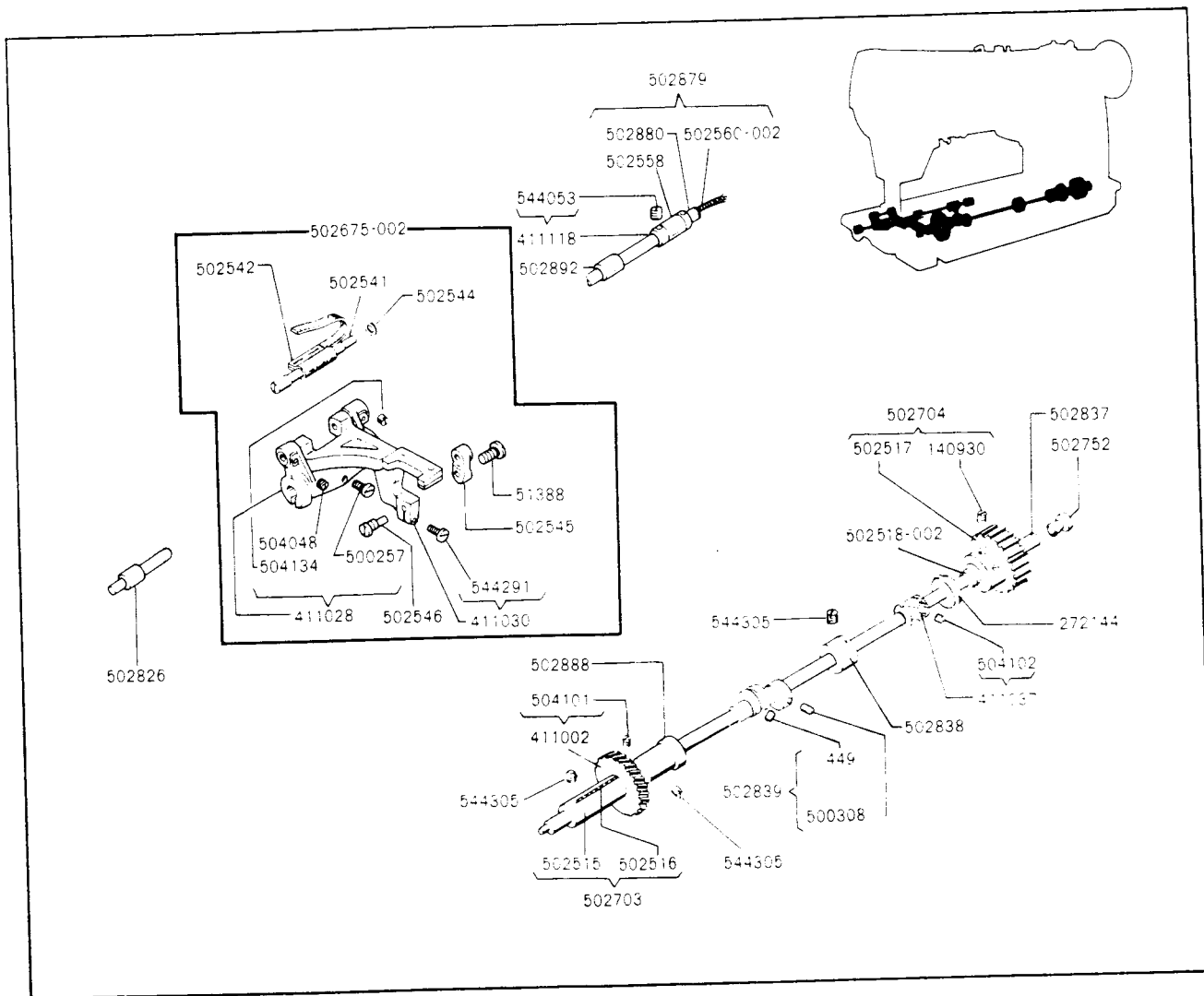
271808	HOOK SHAFT OIL FILTER WICK HOLDER SEAL	502611	HOOK SHAFT BUSHING CAP
411003	HOOK DRIVING SHAFT HELICAL GEAR WITH TWO 504101	502676	HOOK SHAFT BUSHING (BACK) CPL. NOS., 502581 AND 502582
411039	HOOK DRIVING SHAFT BEVEL GEAR WITH TWO 504101	502713	HOOK DRIVING SHAFT BUSHING CPL. NOS., 502516 AND 502566
411040	HOOK SHAFT BEVEL GEAR WITH TWO 504101	502818	HOOK SHAFT GEAR BOX VENT CAP
411122	HOOK OIL REGULATING SCREW CPL. NOS., 500247 AND 545425-452	502928	HOOK SHAFT OIL FILTER FELT
411123	HOOK SHAFT WITH 271808, 502928 AND 544320	504101	HOOK DRIVING SHAFT HELICAL GEAR SET SCREW (2)
500247-833	HOOK OIL REGULATING SCREW	504101	HOOK DRIVING SHAFT BEVEL GEAR SET SCREW (2)
500264-833	HOOK SHAFT BUSHING (FRONT) SET SCREW	504134	HOOK SHAFT BEVEL GEAR SET SCREW (2)
502516	HOOK DRIVING SHAFT BUSHING WICK	508914	HOOK OIL BYPASS PLUG SCREW
502565	HOOK DRIVING SHAFT	508914	HOOK SHAFT BUSHING (FRONT)
502566	HOOK DRIVING SHAFT BUSHING	544305	HOOK DRIVING SHAFT BUSHING SET SCREW
502572	HOOK SHAFT BUSHING CAP GASKET	544305	HOOK SHAFT BUSHING (FRONT) SET SCREW
502577	HOOK SHAFT GEAR BOX PLUG	544320	HOOK SHAFT OIL FILTER WICK HOLDER
502581	HOOK SHAFT BUSHING (BACK)	545425-452	HOOK OIL REGULATING SCREW LOCK NUT
502582	HOOK SHAFT BUSHING (BACK) WICK	549013	HOOK SHAFT BUSHING (FRONT) CAP SCREW (3)

PART NO. DESCRIPTION

PART NO. DESCRIPTION

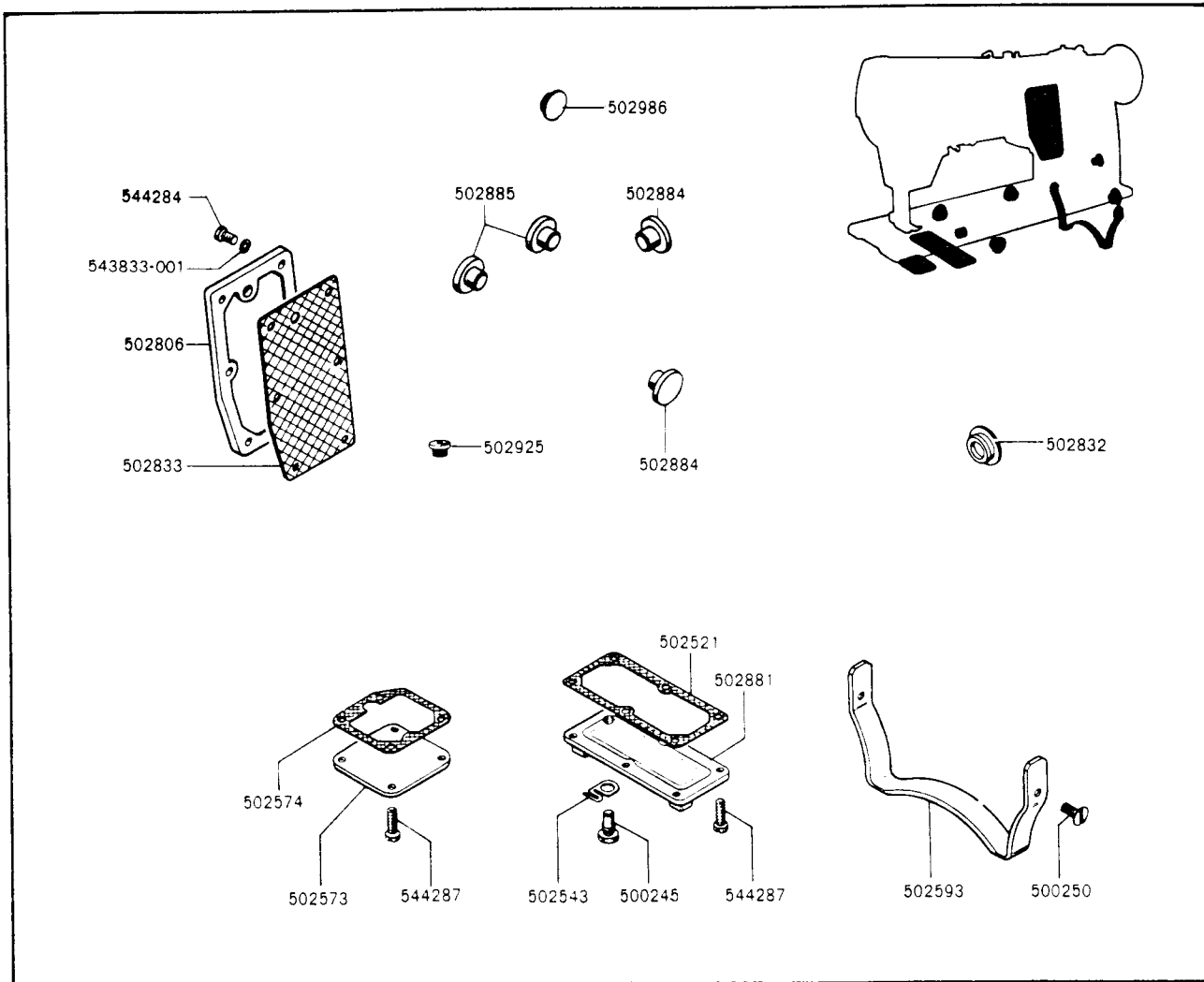


1177-850	FEED DRIVING CONNECTION CRANK PINCH SCREW	502866	FEED DRIVING CONNECTION CARRIER FRAME SPRING
51369-850	FEED DRIVING CONNECTION CARRIER FRAME SLIDE STUD SET SCREW	502867	FEED DRIVING CONNECTION CARRIER FRAME SPRING STUD (BED SIDE)
• 411059	FEED DRIVING CONNECTION CARRIER FRAME CPL. NOS., 51369, 411060, 502850, 502857, 502858 AND 502949	502931	FEED DRIVING CONNECTION CARRIER FRAME SPRING RETAINER
• 411060	FEED DRIVING CONNECTION CARRIER FRAME	502932	FEED DRIVING CONNECTION CARRIER FRAME SPRING CPL. NOS., 502866 AND 502931
• 411061	FEED DRIVING CONNECTION CPL. NOS., 502843, 502844, 502847, TWO 502845 AND FOUR 543801-005	502949	FEED DRIVING CONNECTION CARRIER FRAME SPRING STUD
• 411062	FEED REGULATING CONNECTION SHAFT CRANK AND LINK CPL. NOS., 411063, 502862 AND 543801-005	504066-452	FEED DRIVING CONNECTION CARRIER FRAME STUD (LEFT) SET SCREW
• 411063	FEED REGULATING CONNECTION SHAFT CRANK WITH 544286	507523	FEED DRIVING CONNECTION CARRIER FRAME STOP SCREW WASHER (2)
• 502843	FEED DRIVING CONNECTION LEVER	508523	FEED DRIVING CONNECTION CARRIER FRAME STOP (BACK)
• 502844	FEED DRIVING CONNECTION LINK	508524	FEED DRIVING CONNECTION CARRIER FRAME STOP (FRONT)
• 502845	FEED DRIVING CONNECTION LEVER HINGE PIN (2)	543801-005	FEED DRIVING CONNECTION LEVER HINGE PIN RETAINER (4)
• 502847	FEED DRIVING CONNECTION CRANK WITH 1177	543801-005	FEED REGULATING CONNECTION SHAFT CRANK LINK RETAINING RING
• 502850	FEED DRIVING CONNECTION LEVER SLIDE BEARING	544286	FEED REGULATING CONNECTION SHAFT CRANK PINCH SCREW
• 502857	FEED DRIVING CONNECTION CARRIER FRAME SLIDE STUD	544287	FEED DRIVING CONNECTION CARRIER FRAME STOP SCREW (2)
• 502858	FEED DRIVING CONNECTION CARRIER FRAME SLIDE STUD OIL WICK	544307	FEED DRIVING CONNECTION CARRIER FRAME STUD (RIGHT) SET SCREW
• 502859	FEED DRIVING CONNECTION CARRIER FRAME BEARING STUD (LEFT)		
• 502860	FEED DRIVING CONNECTION CARRIER FRAME BEARING STUD (RIGHT)		
• 502862	FEED REGULATING CONNECTION SHAFT CRANK LINK		



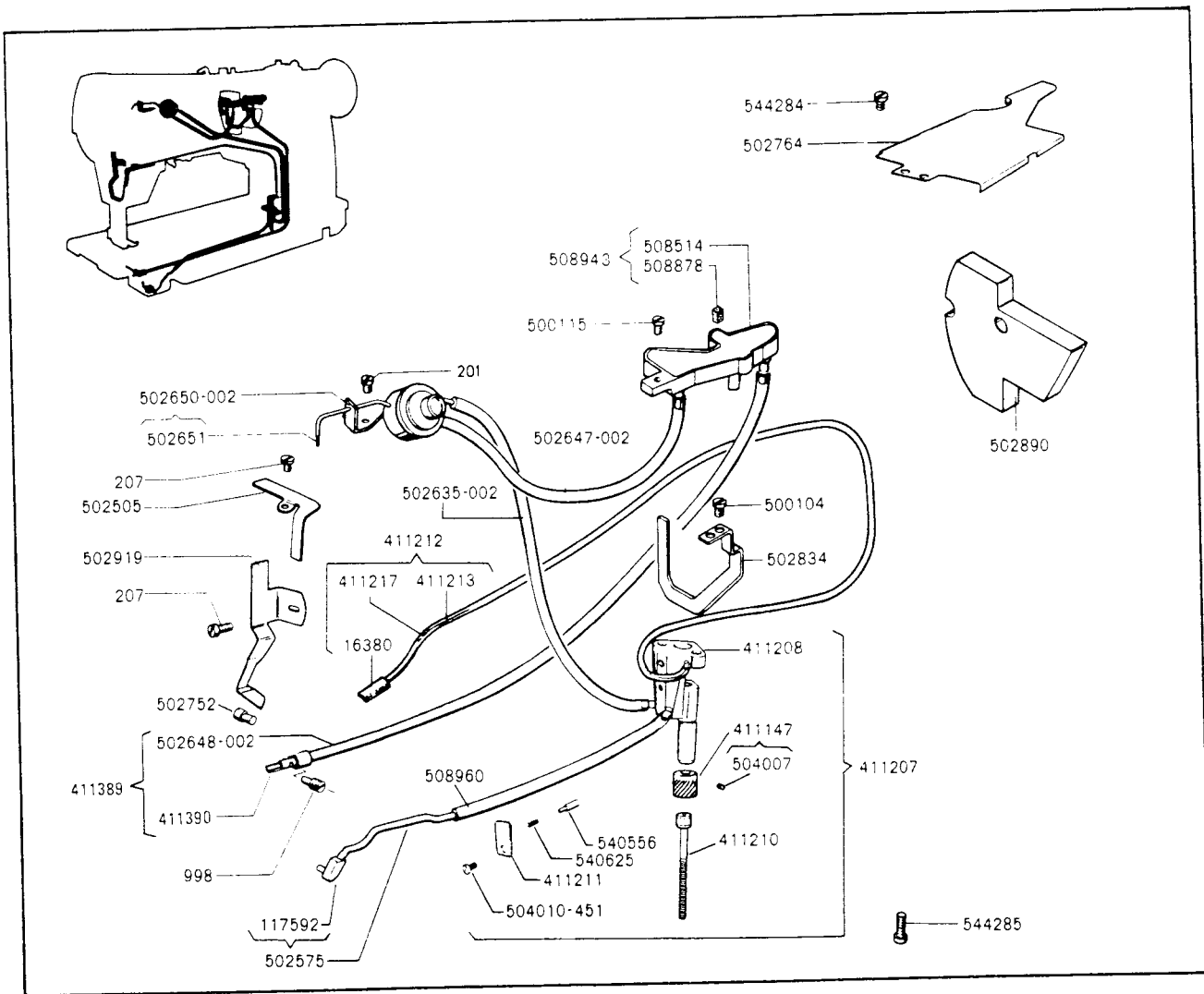
- 449-833 FEED DRIVING ECCENTRIC SET SCREW
- 51388-850 FEED BAR LIFTING LINK PIN CAP SCREW
- 140930-869 BED SHAFT CONNECTION BELT PULLEY SET SCREW (2)
- 272144 BED SHAFT BALL BEARING
- 411002 BED SHAFT GEAR WITH TWO 504101
- 411028 FEED DRIVING ROCK SHAFT CRANK WITH 500257, 504048 AND 504134
- 411030 FEED BAR WITH 544291
- 411037 OIL PUMP DRIVING GEAR WITH TWO 504102
- 411118 FEED DRIVING ROCK SHAFT COLLAR (2) WITH TWO 544053
- 500257-850 FEED DRIVING ROCK SHAFT CRANK PINCH SCREW
- 500308-833 FEED DRIVING ECCENTRIC POSITION SCREW
- 502515 BED SHAFT BUSHING (FRONT)
- 502516 BED SHAFT BUSHING (FRONT) OIL WICK
- 502517 BED CONNECTION BELT PULLEY
- 502518-002 BED CONNECTION BELT PULLEY SPACER
- 502541 FEED BAR HINGE PIN
- 502542 FEED BAR HINGE PIN OILING FELT
- 502544 FEED BAR THRUST WASHER (2)
- 502545 FEED BAR LIFTING LINK
- 502546 FEED BAR LIFTING LINK HINGE PIN
- 502558 FEED DRIVING ROCK SHAFT BUSHING (BACK)
- 502560-002 FEED DRIVING ROCK SHAFT OIL WICK

- 502675-002 FEED DRIVING ROCK SHAFT CRANK CPL. NOS., 51388, 411028, 411030, 502541, 502542, 502545, 502546 AND TWO 502544
- 502703 BED SHAFT BUSHING (FRONT) CPL. NOS., 502515 AND 502516
- 502704 BED SHAFT CONNECTION BELT PULLEY CPL. NOS., 502517 AND TWO 140930
- 502752 BED SHAFT OIL HOLE PLUG
- 502826 FEED DRIVING ROCK SHAFT BUSHING (FRONT)
- 502837 BED SHAFT
- 502838 BED SHAFT BUSHING (BACK)
- 502839 FEED DRIVING ECCENTRIC WITH 449 AND 500308
- 502879 FEED DRIVING ROCK SHAFT CPL. NOS., 502560-002 AND 502880
- 502880 FEED DRIVING ROCK SHAFT
- 502888 BED SHAFT BUSHING (CENTER)
- 502892 FEED DRIVING ROCK SHAFT BUSHING (CENTER)
- 504048 FEED BAR HINGE PIN SET SCREW (SHORT)
- 504101 BED SHAFT GEAR SET SCREW (2)
- 504102 OIL PUMP DRIVING GEAR SET SCREW (2)
- 544134 FEED BAR HINGE PIN SET SCREW (LONG)
- 544053 FEED DRIVING SHAFT COLLAR SET SCREW (4)
- 544291 FEED BAR LIFTING LINK HINGE PIN SCREW
- 544305 BED SHAFT BUSHING SET SCREW (3)

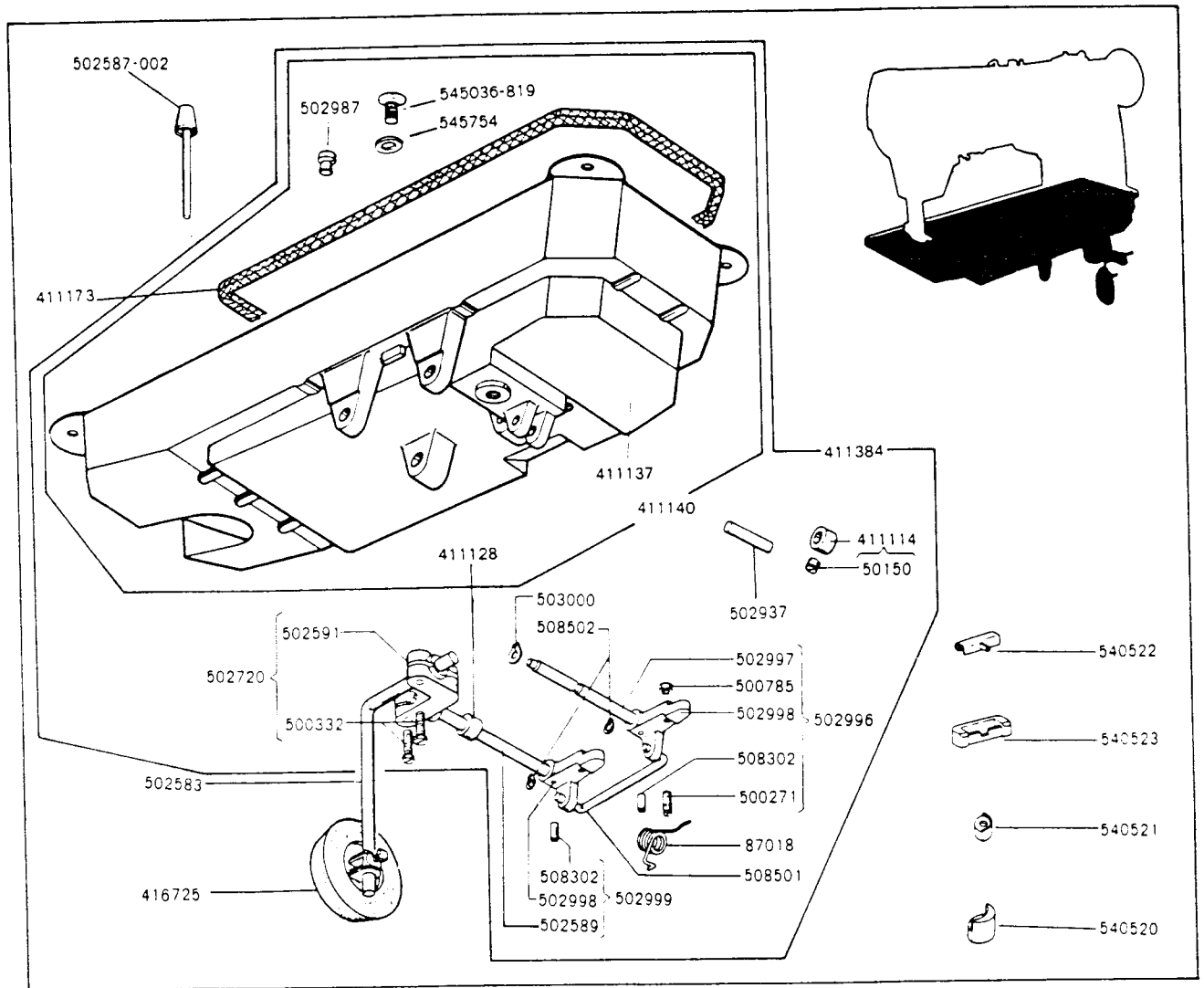


500245-850 BED SHAFT GEAR BOX COVER DRAIN SCREW
 500250 MACHINE LEG SCREW (2)
 502521 BED SHAFT GEAR BOX COVER GASKET
 502543 FEED BAR HINGE PIN OILING FELT CLAMP
 502573 HOOK SHAFT GEAR BOX COVER
 502574 HOOK SHAFT GEAR BOX COVER GASKET
 502593 MACHINE LEG
 502806 ARM COVER (BACK)
 502832 FEED REGULATING SHAFT PLUG
 502833 ARM COVER (BACK) GASKET

502881 BED SHAFT GEAR BOX COVER
 502884 BED PLUG (FRONT AND REAR SIDE) (2)
 502885 BED PLUG (BACK) (2)
 502925 BED PLUG SCREW
 502986 NEEDLE VIBRATING ADJUSTING CRANK SHAFT HOLE
 PLUG (2)
 543833-001 ARM COVER (BACK) SCREW GASKET (6)
 544284 ARM COVER SCREW (6)
 544287 BED SHAFT GEAR BOX COVER SCREW (6)
 544287 HOOK SHAFT GEAR BOX COVER SCREW (4)

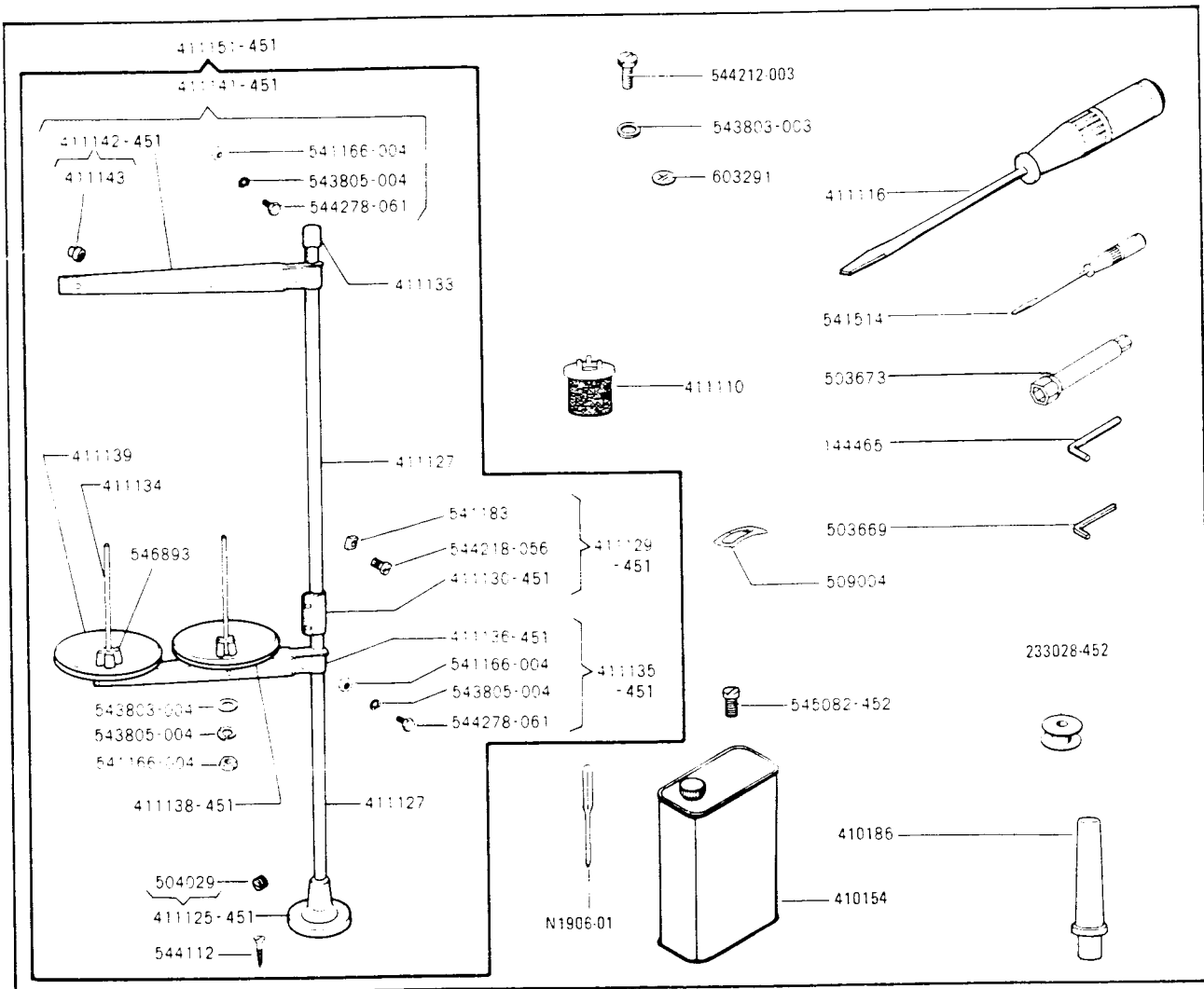


201-850	OIL SIGHT BODY SCREW (2)	502575	HOOK SHAFT GEAR BOX OIL PIPE WITH 117592
207-850	HEAD END OIL DRAIN WICK CLAMP SCREW (2)	502635-002	OIL DELIVERY TUBE
998-833	OIL RETURN TUBE SCREW	502647-002	OIL RETURN TUBE UPPER (SHORT)
16380	OIL REMOVING LINT SCREEN	502648-002	OIL RETURN TUBE LOWER (LONG)
117592	HOOK SHAFT GEAR BOX OIL PIPE CONNECTOR	502650-002	OIL SIGHT BODY WITH 502651
411147	OIL PUMP GEAR WITH TWO 504007	502651	OIL SIGHT WICK
411207	OIL PUMP BODY CPL. NOS., 411147, 411208, 411210, 411211, 504010-451, 540556, AND 540625	502752	BED SHAFT BUSHING (CENTER) OIL HOLE PLUG
411208	OIL PUMP BODY	502764	OIL GUARD
411210	OIL PUMP SCREW SHAFT	502834	ARM OIL SHIELD (AERATED PLASTIC) RETAINER
411211	OIL REMOVING PUMP PISTON SPRING BRACKET	502890	ARM OIL SHIELD (AERATED PLASTIC)
411212	OIL REMOVING TUBE, OIL REMOVING LINT SCREEN CPL. NOS., 16380, 411213 AND 411217	502919	HEAD END OIL DRAIN CLAMP (BACK)
411213	OIL REMOVING TUBE	504007	OIL PUMP GEAR SET SCREW (2)
411217	OIL REMOVING TUBE WIRE	504010-451	OIL REMOVING PUMP PISTON SPRING BRACKET SET SCREW
411389	OIL RETURN TUBE LOWER (LONG) CPL. NOS., 502648-002 AND 411390	508514	OIL DISTRIBUTOR PLATE
411390	OIL RETURN TUBE	508878	OIL DISTRIBUTOR PLATE FOAM PAD
500104-850	ARM OIL SHIELD (AERATED PLASTIC) RETAINER SCREW (2)	508943	OIL DISTRIBUTOR PLATE CPL. NOS., 508514 AND 508878
500115-850	OIL DISTRIBUTOR PLATE SCREW	508960	HOOK SHAFT GEAR BOX OIL PIPE
502505	HEAD END OIL DRAIN WICK CLAMP (FRONT)	540556	OIL REMOVING PUMP PISTON
502575	HOOK SHAFT GEAR BOX OIL PIPE WITH 117592	540625	OIL REMOVING PUMP PISTON SPRING
		544284	OIL GUARD SCREW (2)
		544285	OIL PUMP MOUNTING SCREW (2)



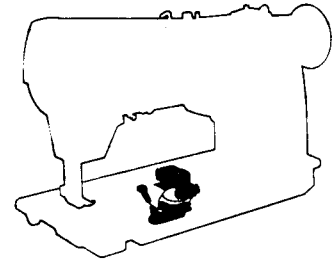
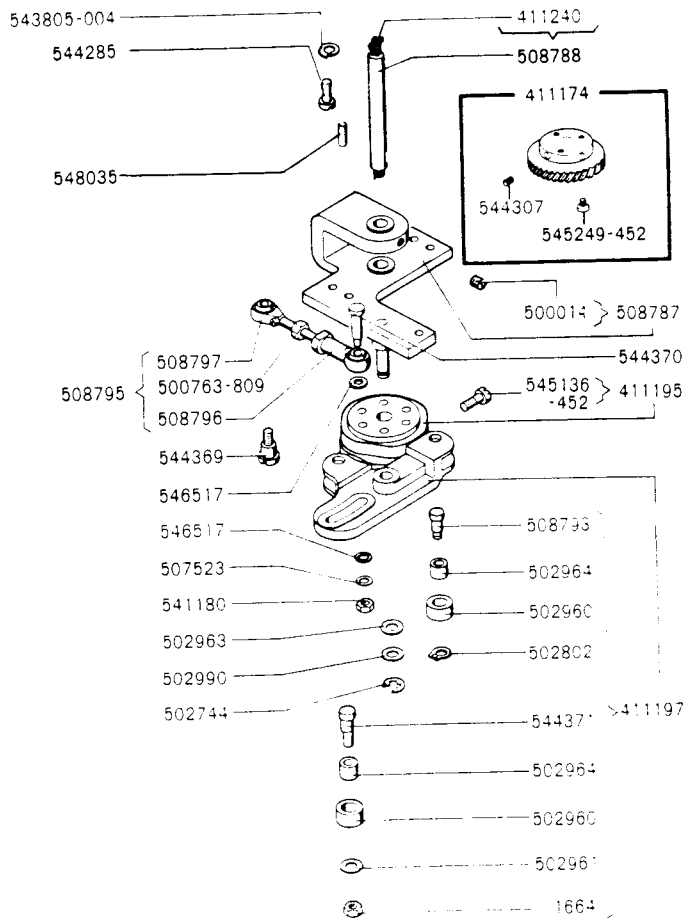
- 50150-833 FEED REVERSING FOOT CONTROL LEVER PIN COLLAR SET SCREW
- 87018 KNEE LIFTER RETURNING SPRING
- 411114 FEED REVERSING FOOT CONTROL LEVER PIN COLLAR WITH 50150
- 411128 KNEE LIFTER ROCK SHAFT SPACER
- 411137 MACHINE BASE AND OIL RESERVOIR
- 411140 MACHINE BASE AND OIL RESERVOIR (CPL.) NOS., 411128, 411137, 502987, 545036-819 AND 545754
- 411173 MACHINE BASE AND OIL RESERVOIR CUSHION
- 411384 OIL RESERVOIR AND KNEE LIFTER ASS'Y NOS., 87018, 411114, 411140, 502720, 502937, 502996, 502999
- 503000, 508501 AND TWO 508502
- 416725 KNEE LIFTER KNEE PLATE CPL.
- 500271-833 KNEE LIFTER CONTROL SHAFT CRANK STOP SCREW
- 500332-850 KNEE LIFTER ROCK SHAFT HUB PINCH SCREW (2)
- 500785-850 KNEE LIFTER CONTROL SHAFT CRANK STOP SCREW NUT
- 502583 KNEE LIFTER KNEE PLATE ARM
- 502587-002 KNEE LIFTER PLUNGER
- 502589 KNEE LIFTER ROCK SHAFT
- 502591 KNEE LIFTER ROCK SHAFT HUB
- 502720 KNEE LIFTER ROCK SHAFT HUB WITH TWO 500332
- 502937 FEED REVERSING FOOT CONTROL LEVER PIN

- 502987 FEED REVERSING PLUNGER HOLE PLUG
- 502996 KNEE LIFTER CONTROL SHAFT CPL. NOS., 500271, 500785, 502997, 502998 AND 508302
- 502997 KNEE LIFTER CONTROL SHAFT
- 502998 KNEE LIFTER CONTROL SHAFT CRANK
- 502998 KNEE LIFTER ROCK SHAFT CRANK
- 502999 KNEE LIFTER ROCK SHAFT CPL. NOS., 502589, 502998 AND 508302
- 503000 KNEE LIFTER CONTROL SHAFT GRIP RING
- 508302 KNEE LIFTER CONTROL SHAFT CRANK PIN
- 508302 KNEE LIFTER ROCK SHAFT CRANK PIN
- 508501 KNEE LIFTER ROCK SHAFT CONNECTION
- 508502 KNEE LIFTER ROCK SHAFT CONNECTION GRIP RING (2)
- 540520 MACHINE BASE AND OIL RESERVOIR CUSHION (FRONT) WITH TWO WIRE NAIL (2)
- 540521 MACHINE BASE AND OIL RESERVOIR CUSHION (BACK) WITH TWO WIRE NAIL (2)
- 540522 MACHINE HINGE (2)
- 540523 MACHINE HINGE CONNECTION CUSHION (2)
- 545036-819 MACHINE BASE AND OIL RESERVOIR DRAIN PLUG SCREW
- 545754 MACHINE BASE AND OIL RESERVOIR DRAIN PLUG SCREW GASKET



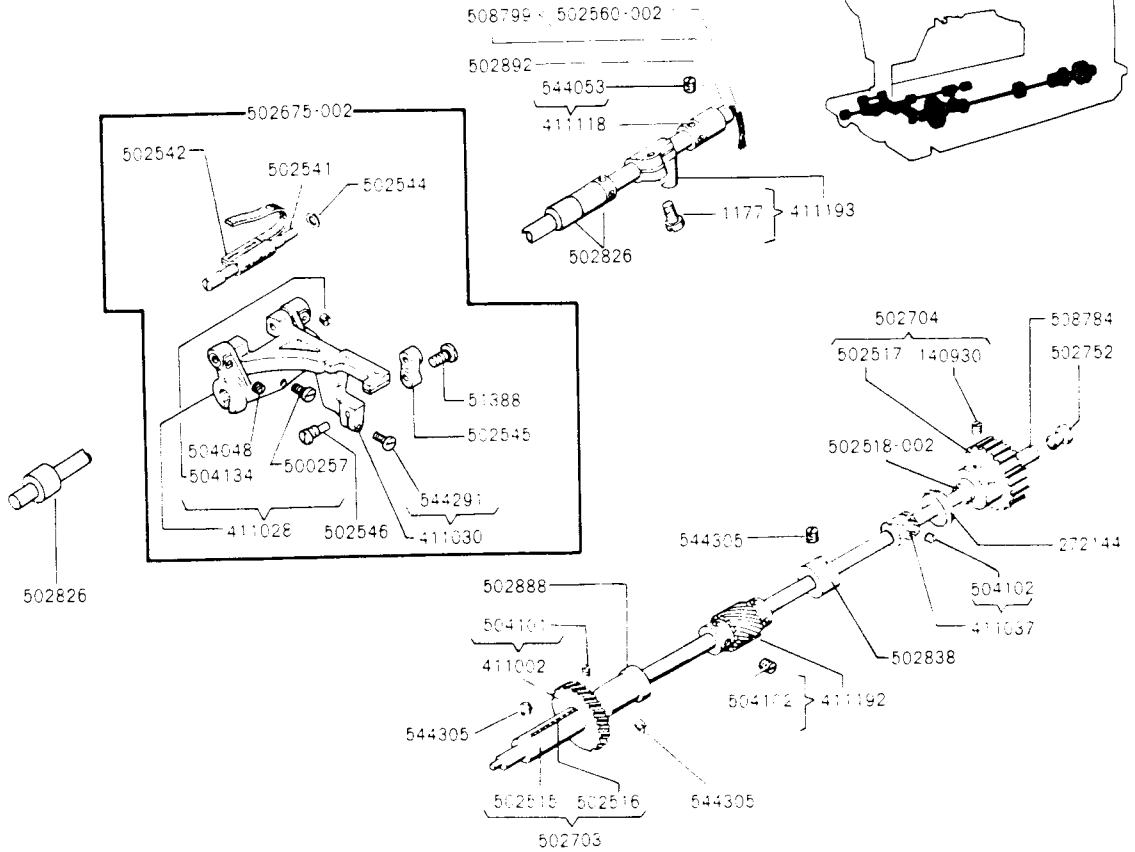
PART NO.	DESCRIPTION	PART NO.	DESCRIPTION
N1906-01	NEEDLE (CAT. NO. 1906-01, #14) (5)	503669	WRENCH (5/64 INCH HEXAGON)
144465	WRENCH (1/8 INCH HEXAGON)	503673	SOCKET WRENCH
233028-452	BOBBIN (2)	504029	THREAD UNWINDER ROD SET SCREW (2)
410154	OIL CAN (750 CC. FILLED WITH SINGER TYPE "C" OIL)	509004	BOBBIN CASE ANTISPILLAGE SPRING
410186	MACHINE REST PIN	541166-004	THREAD UNWINDER SPOOL CARRIER ARM SCREW NUT
411110	OIL FILTER	541166-004	THREAD UNWINDER SPOOL LOCK NUT (2)
411116	SCREW DRIVER (LARGE)	541166-004	THREAD UNWINDER THREAD GUIDE SCREW NUT
411125-451	THREAD UNWINDER FOOT WITH TWO 504029	541183	THREAD UNWINDER ROD CONNECTION SCREW NUT (2)
411127	THREAD UNWINDER ROD (2)	541514	SCREW DRIVER (SMALL)
411129-451	THREAD UNWINDER ROD CONNECTION CPL. NOS., 411130-451, TWO EACH 541183 AND 544218-056	543803-003	MACHINE GROUNDING WIRE SCREW WASHER
411130-451	THREAD UNWINDER ROD CONNECTION	543803-004	THREAD UNWINDER SPOOL LOCK NUT WASHER (2)
411133	THREAD UNWINDER ROD CAP	543805-004	THREAD UNWINDER SPOOL CARRIER ARM SCREW SPRING WASHER
411134	THREAD UNWINDER SPOOL (2)	543805-004	THREAD UNWINDER SPOOL LOCK NUT SPRING WASHER (2)
411135-451	THREAD UNWINDER SPOOL CARRIER ARM CPL. NOS., 411136-451, 541166-004, 543805-004 AND 544278-061	543805-004	THREAD UNWINDER THREAD GUIDE SCREW SPRING WASHER
411136-451	THREAD UNWINDER SPOOL CARRIER ARM	544112	THREAD UNWINDER FOOT SCREW (WOOD) (3)
411138-451	THREAD UNWINDER SPOOL CARRIER PLATE (2)	544212-003	MACHINE GROUNDING WIRE SCREW
411139	THREAD UNWINDER SPOOL CARRIER PLATE CUSHION (2)	544218-056	THREAD UNWINDER ROD CONNECTION SCREW (2)
411141-451	THREAD UNWINDER THREAD GUIDE CPL. NOS., 411142-451, 541166-004, 543805-004 AND 544278-061	544278-061	THREAD UNWINDER SPOOL CARRIER ARM SCREW
411142-451	THREAD UNWINDER THREAD GUIDE WITH TWO 411143	544278-061	THREAD UNWINDER THREAD GUIDE SCREW
411143	THREAD UNWINDER THREAD GUIDE EYELET (2)	545082-451	ATTACHMENT SCREW
411151-451	THREAD UNWINDER (2-SPOOLS) CPL. NOS., 411125-451, 411129-451, 411133, 411135-451, 411141-451, TWO EACH 411127, 411134, 411138-451, 411139, 541166-004, 543803-004, 543805-004, 546893 AND THREE 544112	546893	THREAD UNWINDER SPOOL HOLDER (2)
		603291	MACHINE GROUNDING WIRE SYMBOL

PARTS FOR MACHINE 457U140



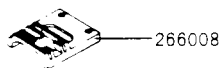
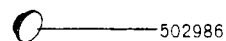
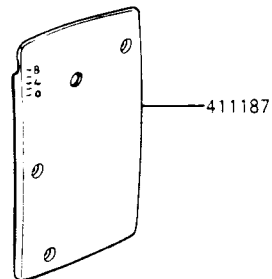
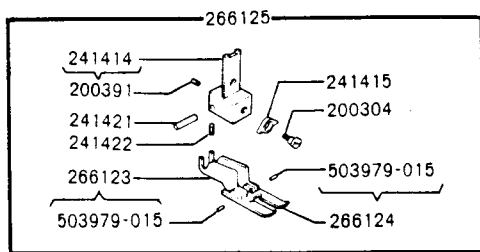
1664	FEED CONTROL CAM FOLLOWER ARM RETAINING NUT	** 508787	FEED CONTROL CAM MOUNTING BRACKET WITH 500014
411174	FEED CONTROL CAM SHAFT WORM WHEEL CPL. NOS., TWO 544307 AND THREE 545249-452	** 508788	FEED CONTROL CAM SHAFT WITH 411240
** 411195	FEED CONTROL CAM WITH TWO 545136-452	** 508793	FEED CONTROL CAM FOLLOWER ARM HINGE PIN
** 411197	FEED CONTROL CAM FOLLOWER CPL. NOS., 1664, 502802, 502961, 508793, 544371, TWO EACH 502960 AND 502964	** 508795	FEED CONTROL CONNECTION CPL. NOS., 500763, 508796 AND 508797
** 411240	FEED CONTROL CAM SHAFT OIL WICK	** 508796	FEED CONTROL CONNECTION BALL JOINT (FEMALE)
** 500014-850	FEED CONTROL CAM MOUNTING BRACKET BUSHING SET SCREW	** 508797	FEED CONTROL CONNECTION BALL JOINT (MALE)
** 500763-809	FEED CONTROL CONNECTION LOCK NUT	** 541180	FEED CONTROL CONNECTION CRANK ADJUSTING LOCK NUT
** 502744	FEED CONTROL CAM FOLLOWER ARM RETAINING RING	543805-004	FEED CONTROL CAM MOUNTING BRACKET SCREW LOCK WASHER (3)
502802	FEED CONTROL CONNECTION LOCK ARM HINGE PIN RETAINING RING	544285	FEED CONTROL CAM MOUNTING BRACKET SCREW (3)
502960	FEED CONTROL CAM FOLLOWER ROLLER (2)	544307	FEED CONTROL CAM SHAFT WORM WHEEL SET SCREW (2)
502961	FEED CONTROL CAM FOLLOWER BELLEVILLE WASHER	** 544369	FEED CONTROL CONNECTION HINGE SCREW
502963	FEED CONTROL CAM FOLLOWER ARM WASHER	** 544370	FEED CONTROL CONNECTION ADJUSTING SCREW
502964	FEED CONTROL CAM FOLLOWER ROLLER NEEDLE BEARING (2)	** 544371	FEED CONTROL CAM FOLLOWER ARM HINGE SCREW
502990	FEED CONTROL CAM FOLLOWER ARM BELLEVILLE WASHER	545136-452	FEED CONTROL CAM SET SCREW (2)
507523	FEED CONTROL CONNECTION ADJUSTING SCREW BELLEVILLE WASHER	545249-452	FEED CONTROL CAM WORM WHEEL DISC SCREW (3)
		** 543517	FEED CONTROL CAM FOLLOWER ARM WASHER (2)
		** 543035	FEED CONTROL CAM MOUNTING BRACKET DOWEL PIN (2)

PARTS FOR MACHINE 457U140

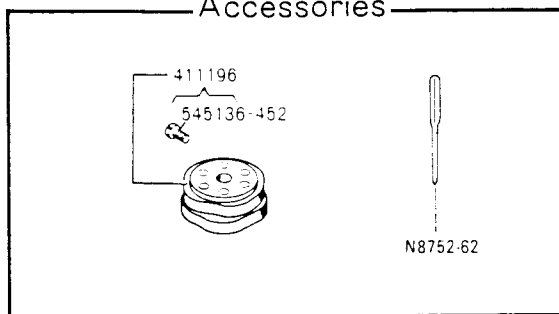


1177	FEED CONTROL CONNECTION CRANK PINCH SCREW	502675-002	FEED DRIVING ROCK SHAFT CRANK CPL. NOS.,
51388-850	FEED BAR LIFTING LINK PIN CAP SCREW	51388, 411028, 411030, 502541, 502542, 502545, 502546	AND TWO 502544
140930-869	BEO SHAFT CONNECTION BELT PULLEY SET SCREW (2)	502703	BED SHAFT BUSHING (FRONT) CPL. NOS., 502515 AND 502516
272144	BED SHAFT BALL BEARING	502704	BED SHAFT CONNECTION BELT PULLEY CPL. NOS., 502517 AND TWO 140930-869
411002	BED SHAFT GEAR WITH TWO 504101	502752	BED SHAFT PLUG
411028	FEED DRIVING ROCK SHAFT CRANK WITH 500257, 504048 AND 504134	502826	FEED DRIVING SHAFT BUSHING (FRONT)
411030	FEED BAR WITH 544291	502826	FEED DRIVING SHAFT BUSHING (CENTER) (2)
411037	OIL PUMP DRIVING GEAR WITH TWO 504102	502838	BED SHAFT BUSHING (BACK)
411118	FEED DRIVING ROCK SHAFT COLLAR (2) WITH TWO EACH 544053	502888	BED SHAFT BUSHING (CENTER)
** 411192	BED SHAFT WORM WITH FOUR 504101	502892	FEED DRIVING ROCK SHAFT BUSHING (CENTER)
** 411193	FEED CONTROL CONNECTION CRANK WITH 1177	504048	FEED BAR HINGE PIN SET SCREW (SHORT)
500257-850	FEED DRIVING ROCK SHAFT CRANK PINCH SCREW	504101	BED SHAFT GEAR SET SCREW (2)
502515	BED SHAFT BUSHING (FRONT)	504101	BED SHAFT WORM SET SCREW (4)
502516	BED SHAFT BUSHING (FRONT) OIL WICK	504102	OIL PUMP DRIVING GEAR SET SCREW (2)
502517	BED CONNECTION BELT PULLEY	504134	FEED BAR HINGE PIN SET SCREW (LONG)
502518-002	BED CONNECTION BELT PULLEY SPACER	** 508784	BED SHAFT
502541	FEED BAR HINGE PIN	** 508799	FEED DRIVING ROCK SHAFT WITH 502560-002
502542	FEED BAR HINGE PIN OILING FELT	544053	FEED DRIVING ROCK SHAFT COLLAR SET SCREW (4)
502544	FEED BAR HINGE PIN THRUST WASHER (2)	544291	FEED BAR LIFTING LINK HINGE PIN SCREW
502545	FEED BAR LIFTING LINK	544305	BED SHAFT BUSHING SET SCREW (3)
502546	FEED BAR LIFTING LINK HINGE PIN		
502560-002	FEED DRIVING ROCK SHAFT OIL WICK		

PARTS FOR MACHINE 457U140

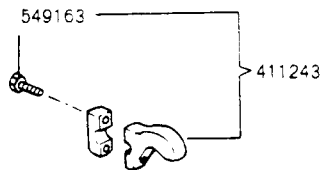
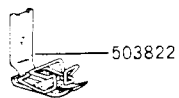
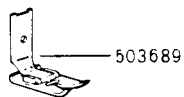
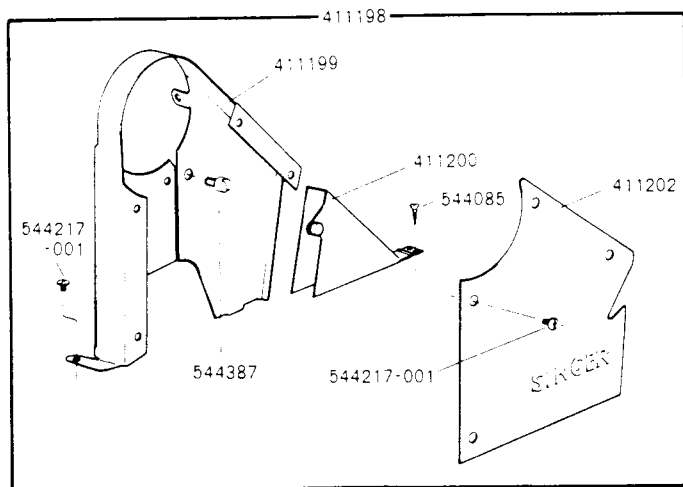


Accessories



- | | | | |
|-------------|---|---------------|---|
| ** N8752-62 | NEEDLE (CAT. NO. 8752-62, #14) | ** 266125 | PRESSER FOOT (HINGED) (COMPENSATING) CPL. NOS., 200304-452, 241414, 241415, 241421, 266123, 266124 AND TWO 241422 |
| ** N8752-62 | NEEDLE (CAT. NO. 8752-62, #14) (5) (FOR ACCESSORIES) | ** 266132 | THROAT PLATE |
| ** 200304 | PRESSER FOOT CONNECTION HINGE SCREW | ** 411187 | ARM COVER (FRONT) |
| ** 200391 | PRESSER FOOT SHANK HINGE PIN SET SCREW | ** 411196 | FEED CONTROL CAM (FOR ACCESSORIES) WITH TWO 545136-452 |
| ** 241414 | PRESSER FOOT BRACKET WITH 200391-452 | ** 502986 | FEED REGULATING SHAFT PLUG |
| ** 241415 | PRESSER FOOT CONNECTION LEVER | ** 503979-015 | PRESSER FOOT PLATE (LEFT) HINGE PIN |
| ** 241421 | PRESSER FOOT SHANK HINGE PIN | ** 503979-015 | PRESSER FOOT PLATE (RIGHT) HINGE PIN |
| ** 241422 | PRESSER FOOT SHANK SPRING (2) | ** 545136-452 | FEED CONTROL CAM SET SCREW (2) (FOR ACCESSORIES) |
| ** 266008 | FEED DOG | | |
| ** 266123 | PRESSER FOOT COMPENSATING SHANK (LEFT) WITH 503979-015 | | |
| ** 266124 | PRESSER FOOT COMPENSATING SHANK (RIGHT) WITH 503979-015 | | |

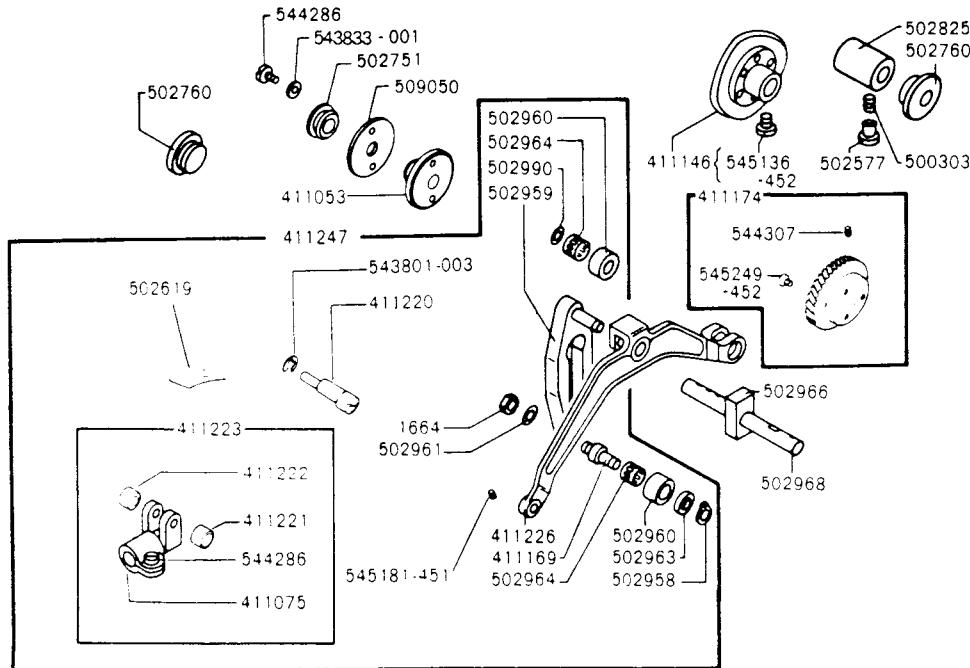
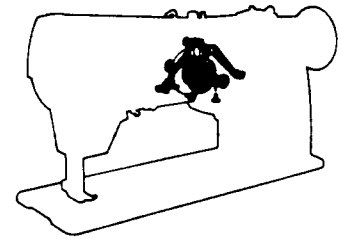
457U OPTIONAL PARTS



411198 BELT GUARD CPL. NOS., 411199, 411200, 411202,
544387, TWO 544085 AND EIGHT 544217-001
411199 BELT GUARD
411200 BELT GUARD (LOWER)
411202 BELT GUARD PLATE
411243 FOOT CONTROL REVERSE FEED BLOCK WITH
549163

* 503689 PRESSER FOOT
* 503822 PRESSER FOOT
544085 BELT GUARD (LOWER) SCREW (WOOD) (2)
544217-001 BELT GUARD SCREW (SMALL) (4)
544217-001 BELT GUARD PLATE SCREW (4)
544387 BELT GUARD SCREW (LARGE)
549163 FOOT CONTROL REVERSE FEED BLOCK SCREW

PARTS FOR 457UX 135/UX 140



1664-850	NEEDLE VIBRATING CAM ROLLER STUD NUT	502760	ARM HOLE PLUG
411053	NEEDLE VIBRATING CAM SHAFT BUSHING (BACK)	502825	NEEDLE VIBRATING CAM SHAFT BUSHING (FRONT)
411075	NEEDLE BAR YOKE CONNECTING LINK HINGE BEARING WITH 544286	502958	NEEDLE BAR YOKE CONNECTING LINK SNAP RING (2)
411146	NEEDLE VIBRATING CAM WITH TWO 545136-452	502959	NEEDLE VIBRATING CAM ROLLER GUIDE
411169	NEEDLE VIBRATING CAM ROLLER STUD	502960	NEEDLE VIBRATING CAM ROLLER (2)
411174	NEEDLE VIBRATING WORM WHEEL CPL. NOS., TWO 544307 AND THREE 545249-452	502961	NEEDLE VIBRATING CAM ROLLER STUD SPRING WASHER
411220	NEEDLE BAR YOKE CONNECTING LINK HINGE BEARING STUD	502963	NEEDLE VIBRATING CAM ROLLER STUD WASHER
411221	NEEDLE BAR YOKE CONNECTING LINK HINGE BEARING BUSHING (FRONT)	502964	NEEDLE VIBRATING CAM ROLLER NEEDLE BEARING CAGE (2)
411222	NEEDLE BAR YOKE CONNECTING LINK HINGE BEARING BUSHING (BACK)	502966	NEEDLE VIBRATING CAM SHAFT SLIDE BLOCK
411223	NEEDLE BAR YOKE CONNECTING LINK HINGE BEARING CPL. NOS., 411075, 411221, 411222 AND 544286	502968	NEEDLE VIBRATING CAM SHAFT
411226	NEEDLE BAR YOKE CONNECTING LINK CPL. NOS., 1664, 411169, 411220, 411223, 411226, 502619, 502959, 502961, 502963, 502990, 545181-451, TWO EACH 502958, 502960 AND 502964	502990	NEEDLE VIBRATING CAM ROLLER SPRING WASHER
500303-869	NEEDLE VIBRATING CAM SHAFT BUSHING (FRONT) SET SCREW	509050	NEEDLE VIBRATING CAM SHAFT BUSHING SPACER
502577	NEEDLE VIBRATING CAM SHAFT BUSHING (FRONT) SET SCREW PLUG	543801-003	NEEDLE BAR YOKE CONNECTING LINK HINGE STUD SNAP RING
502619	NEEDLE BAR YOKE CONNECTING LINK HINGE BEARING FELT	543833-001	NEEDLE VIBRATING CAM SHAFT BUSHING (BACK) SCREW WASHER (2)
502751	NEEDLE VIBRATING CAM SHAFT BUSHING (BACK) PLUG	544286	NEEDLE VIBRATING ECCENTRIC SHAFT BUSHING (BACK) SCREW (2)
502760	NEEDLE VIBRATING CAM SHAFT BUSHING (FRONT) PLUG	544286	NEEDLE BAR YOKE CONNECTING LINK HINGE BEARING PINCH SCREW
		544307	NEEDLE VIBRATING WORM WHEEL SET SCREW (2)
		545136-452	NEEDLE VIBRATING CAM SET SCREW (2)
		545181-451	NEEDLE BAR YORK CONNECTING LINK HINGE BEARING STUD SCREW
		545249-452	NEEDLE VIBRATING WORM WHEEL DISC SCREW (3)

NUMERICAL PART NUMBER FOR 457U135 140

PART NO	PAGE	PART NO	PAGE	PART NO	PAGE	PART NO	PAGE
86-850	4	276508	1	411123	11	500196	17
129-850	7	411001	4	411125	17	500244	2 4
190-850	10	411002	13 19	411127	17	500245-850	14
201-850	15	411003	11	411128	16	500246-850	1 9
207-850	15	411004	2	411129	17	500247-833	11
223	4	411005	2	411130	17	500250	14
237-833	1	411007	2	411131	4	500256	4
238	4	411009	2	411132	4	500257-850	13 19
449-833	13	411010	2	411133	17	500260-833	3
460-833	9	411012	15	411134	17	500261-850	3
998-833	15	411013	15	411135	17	500262-833	1
1177-850	12 19	411014	1	411136	17	500264-833	11
1349-850	3	411015	1	411137	10	500271-833	16
1454-850	1	411016	1	411138	17	500272-830	2
1664-850	5 18	411017	9	411139	17	500274-833	2
16380	15	411018	9	411140	16	500280-850	8
41400	17	411019	9	411141	17	500302-850	6
50150-833	16	411020	9	411142	17	500303-869	5
50305-850	9	411021	9	411143	17	500306-869	10
50429-833	1 2 8	411023	3	411146	5	500307-850	2
50624-833	4	411024	3	411147	15	500308-833	13
51369-850	2 4 12	411025	9	411149	7	500309-850	7
51388	13 19	411026	9	411150	7	500310-833	7
87018	16	411028	13 19	411151	17	500312-850	3
117592	15	411030	13 19	411152	9	500332-850	16
140930-869	13 19	411032	2	411153	9	500763-809	18
141507-803	10	411035	4	411154	9	500785-850	16
141525-806	10	411037	13 19	411155	9	502505	15
141567-833	2	411039	11	411158	9	502508	2
144465	17	411040	11	411160	2	502509	2
200304	20	411046	6	411162	6	502510	2
200391	20	411053	5	411163	6	502515	13 19
200592-803	10	411054	3	411165	6	502516	11 13 19
200964-803	10	411055	3	411166	6	502517	13 19
201016-803	10	411059	12	411168	5	502518-002	13 19
210505	4	411060	12	411169	5	502521	14
210735	10	411061	12	411170	6	502521	14
210736	10	411062	12	411173	16	502530	10
210913	10	411063	12	411174	5 18	502534	10
210958	9	411065	7	411178	8	502536	10
210993	9	411065	7	411179	8	502541	13 19
214206	2	411074	5	411180	3	502542	13 19
230743	1	411075	5	411183	2	502543	14
233026	10 17	411082	7	411184	7	502544	13 19
241414	20	411083	2	411187	20	502545	13 19
241415	20	411085	1	411192	19	502546	13 19
241421	20	411086	1	411193	19	502558	13
241422	20	411088	1	411195	18	502560-002	13 19
266008	20	411089	8	411196	20	502565	11
266123	20	411090	8	411197	18	502566	11
266124	20	411092	8	411198	21	502572	11
266125	20	411093	8	411199	21	502573	14
266132	20	411094	8	411200	21	502574	14
270086	9	411095	8	411202	21	502575	15
270161	2	411097	8	411207	15	502577	5 11
270266	2	411098	8	411208	15	502581	11
271808	11	411101	8	411210	15	502582	11
272128	1	411106	8	411211	15	502583	16
272142	2	411107	8	411212	15	502584	4
272143	2	411108	8	411213	15	502586	3
272144	13 19	411109	17	411217	15	502587-002	16
272208	9	411110	17	411240	18	502589	16
272219	9	411112	16	411243	21	502591	16
276025	4	411114	16	411384	16	502593	14
276027	3	411116	17	500014-850	18	502594	4
276051	1	411118	13 19	500067-833	6	502597	4
276114	2	411120	3	500104-850	15	502603	2
		411122	11	500115-850	15	502608	4

PART NO	PAGE	PART NO	PAGE	PART NO	PAGE	PART NO	PAGE
502611	14	502884	14	508553	8	544283	6
502622	1	502885	14	508554	8	544284	8, 14, 15
502635-002	15	502888	13, 19	508555	8	544285	8, 15, 18
502647-002	15	502890	15	508556	8	544286	5, 6, 12
502648-002	15	502892	13, 19	508557	8	544287	12, 14
502650-002	15	502909	8	508558	8	544290	2
502651	15	502917	15	508561	8	544291	13, 19
502653	3	502919	15	508562	8	544292	3
502659	2	502925	14	508563	8	544293	6
502662	3	502927	2	508564	8	544295	3
502665	9	502928	11	508565	8	544296	3
502666	9	502930	4	508585	2	544298	1
502670	1	502931	12	508652	4	544301	4
502672	4	502932	12	508784	19	544302-850	6
502674	4	502937	16	508787	18	544303	9
502675-002	13, 19	502948	4	508798	18	544305	19
502676	11	502949	12	508793	18	544306	2
502679	3	502951-850	6	508795	18	544307	5, 12, 18
502682	2	502957	5	508796	18	544320	11
502703	13, 19	502958	5	508797	18	544369	18
502704	13, 19	502959	5	508799	19	544370	18
502713	11	502960	5, 18	508820	2	544371	18
502717	10	502961	5, 18	508878	15	544387	21
502718	10	502963	5, 18	508879-002	4	545036-819	16
502720	16	502964	5, 18	508880	4	545082-452	1, 17
502744	18	502965	5	508883	4	545136-452	5, 18, 20
502751	5	502968	5	508884	4	545174-452	7
502752	13, 15, 19	502979	7	508914	11	545205-452	3
502757	5	502986	14	508943	15	545244-452	1
502760	5	502997	16	508960	15	545249-452	2, 5, 18
502763	2	502990	5, 18	509004	17	545347-452	3
502764	15	502993	4	509007	6	545425-452	11
502770	6	502995	16	509050	5	545754	16
502785	5	502997	16	509076	9	545927	17
502786	3	502998	16	509087	2	546517	18
502802	5, 18	502999	16	540520	16	546893	17
502806	14	503000	16	540521	16	547412	8
502818	11	503669	17	540522	16	548035	18
502825	5	503673	17	540523	16	549013	11
502826	13, 19	503692	4	540556	15	549163	21
502829	6	503699	21	540625	15	603291	17
502831	2	503743	4	541166-004	17		
502832	8, 14	503818	4	541178	1		
502833	14	503822	21	541179	8		
502834	15	503979-015	20	541180	18		
502837	13	504007	15	541181	9		
502838	13, 19	504010-451	15	541182	9		
502839	13	504029	17	541183	17		
502843	12	504048	6, 13, 19	541514	17		
502844	12	504066-452	12	543801-005	3, 7, 12		
502845	12	504101	2, 11, 13, 19	543803-003	17		
502847	12	504102	13, 19	543803-004	17		
502849	7	504105	16	543805-003	1, 17		
502850	6, 12	504134	11, 13, 19	543805-004	17, 18		
502857	6, 12	504507	1	543805-008	8		
502858	12	504509-452	3	543833-001	5, 6, 8, 14		
502859	12	507523	12, 18	543833-002	2, 3		
502860	12	508302	16	543833-003	3		
502862	12	508501	16	543833-004	3		
502866	12	508502	16	544053	13, 19		
502867	12	508506	4	544085	21		
502868	7	508507	4	544112	17		
502871	7	508514	15	544211-051	8		
502873	7	508523	12	544217-001	21		
502879	13	508524	12	544218-056	17		
502880	13	508531	10	544278-061	17		
502881	14	508537	10	544291	8		