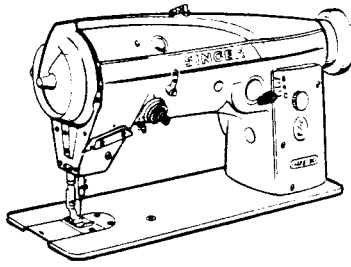


SINGER

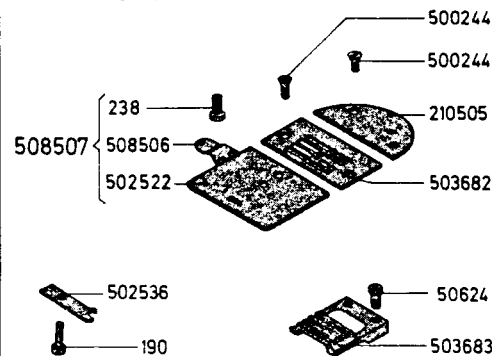
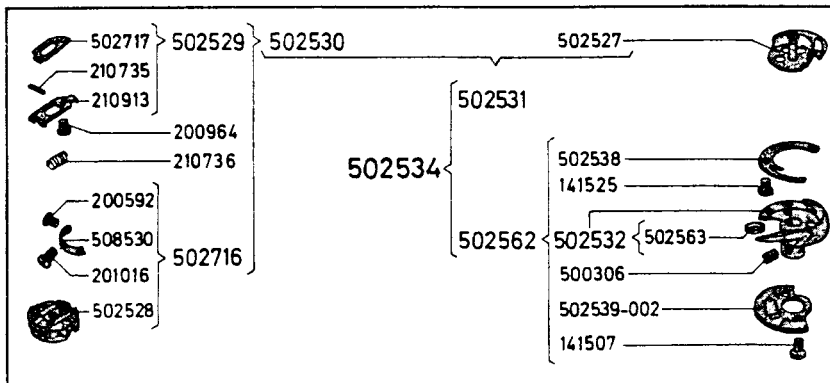
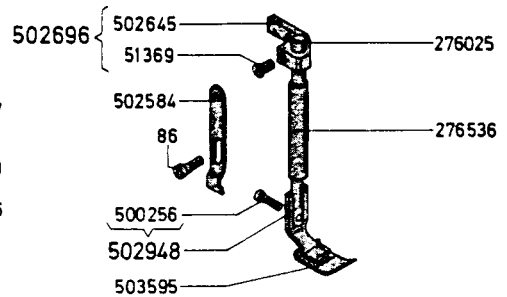
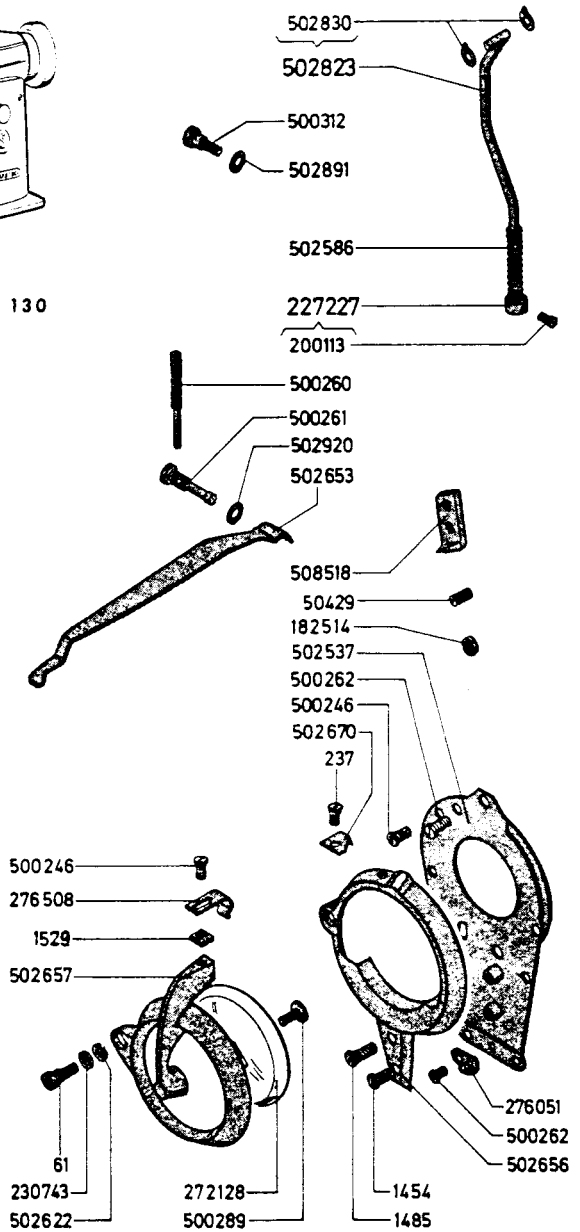
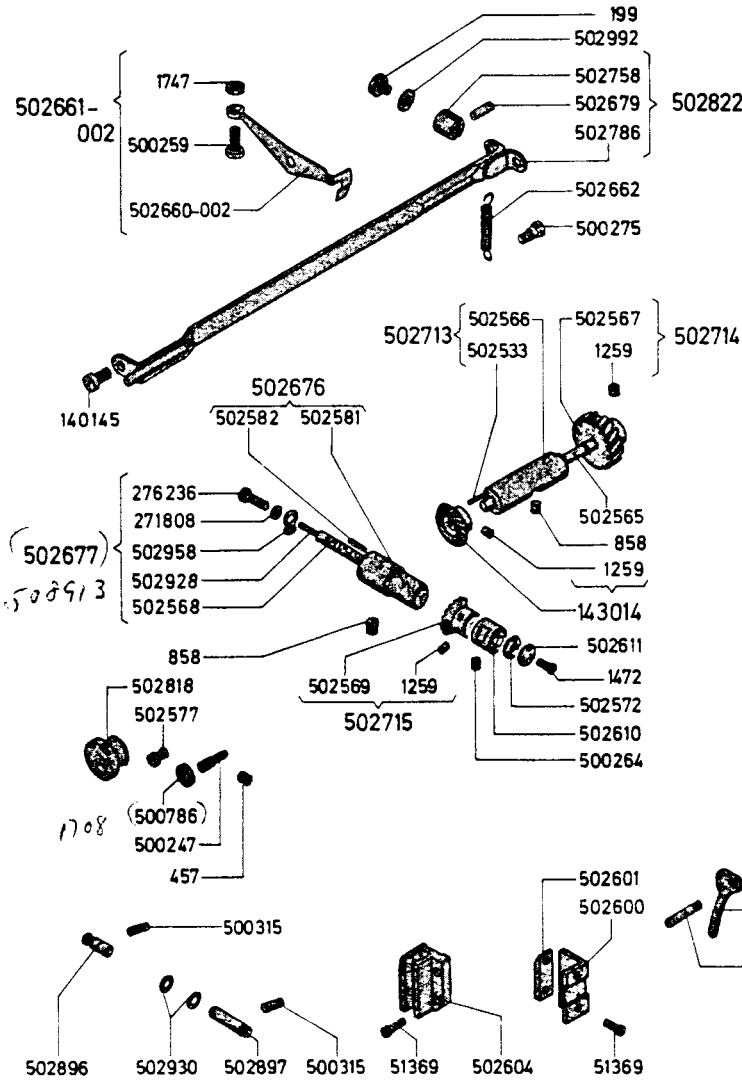
ILLUSTRATED
PARTS LIST
FORM - NO. 30-332 G
(368/930)

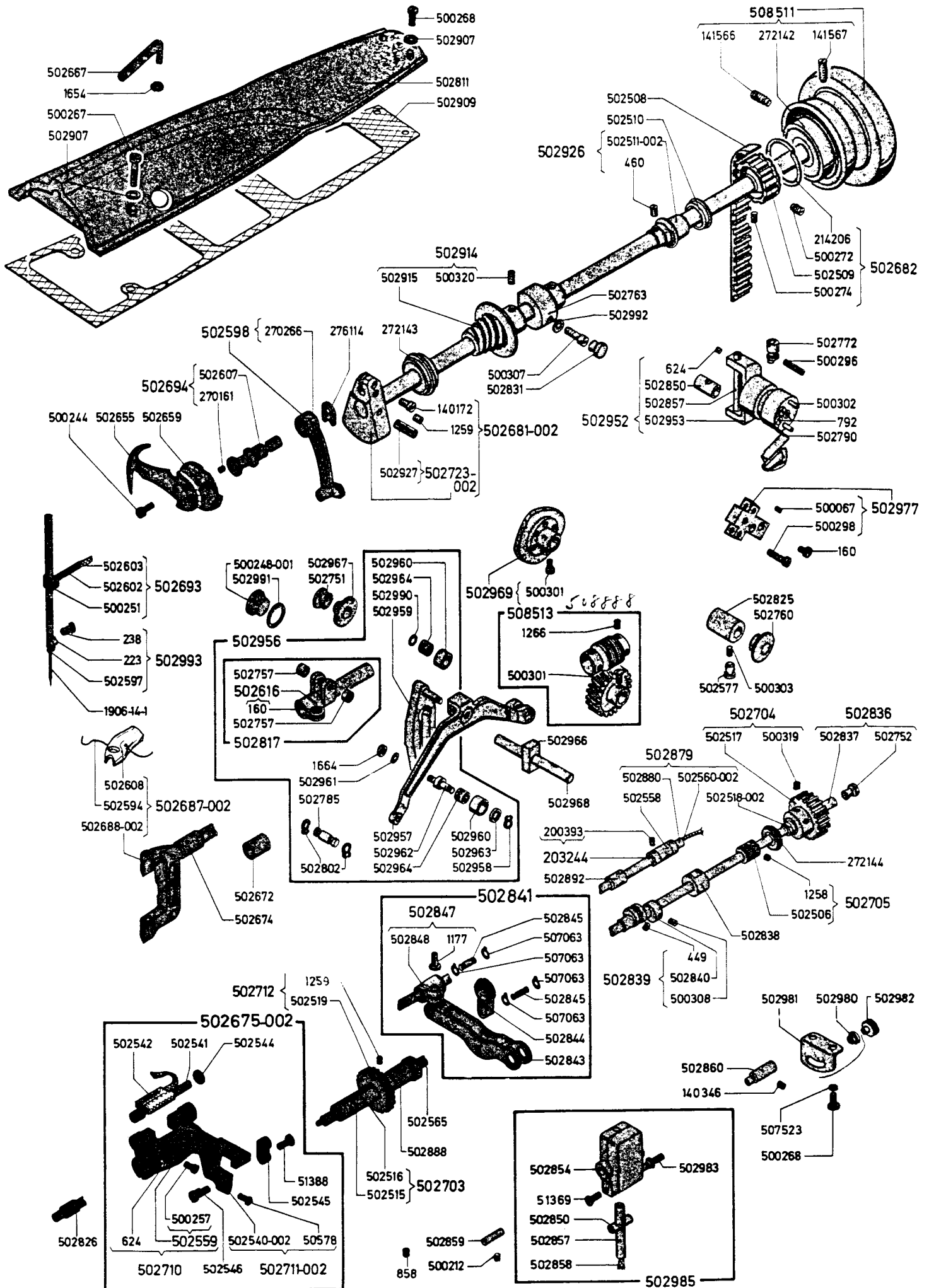
FOR MACHINES
457 G 130, 457 G 135,
457 G 155, 457 GX6



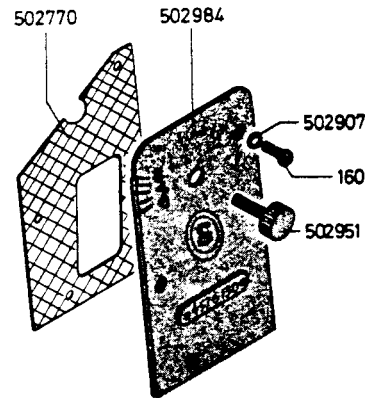
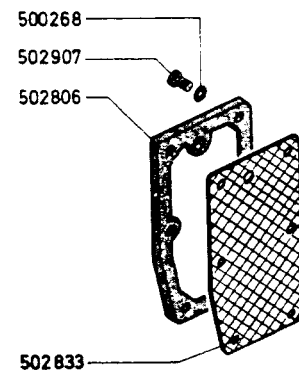
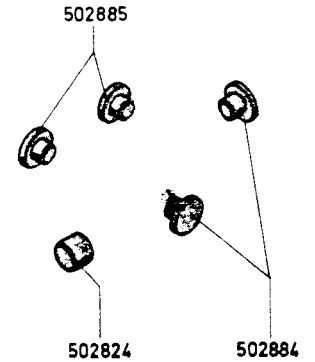
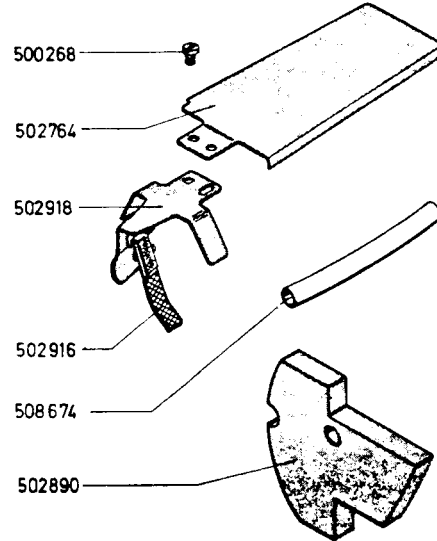
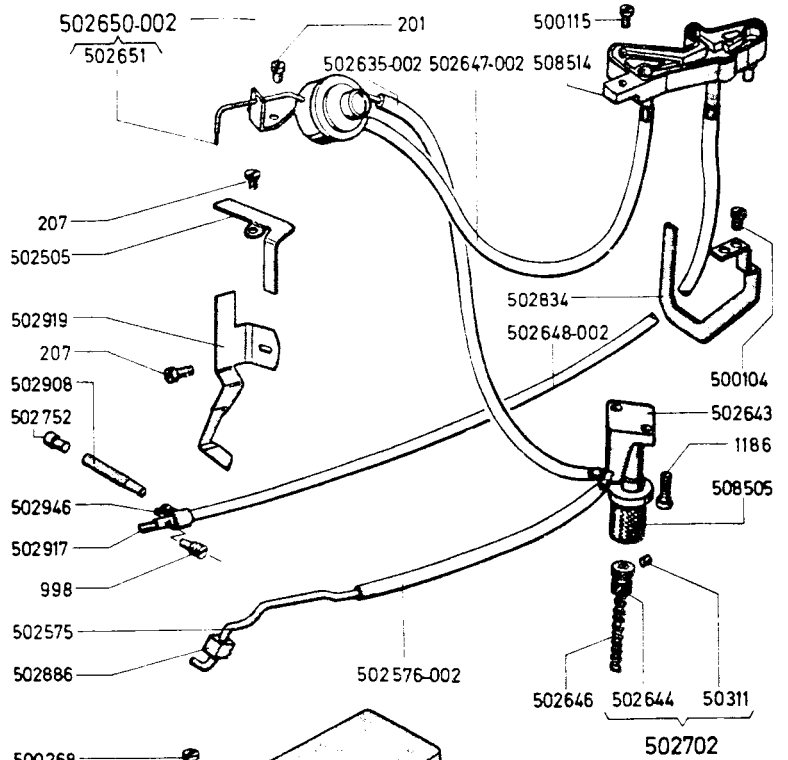
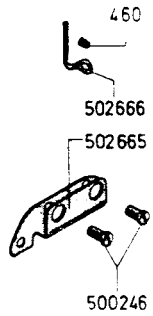
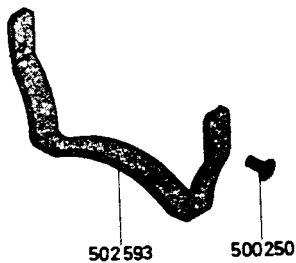
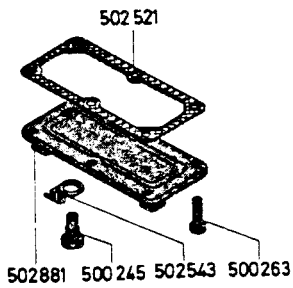
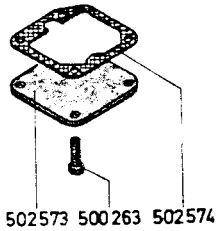
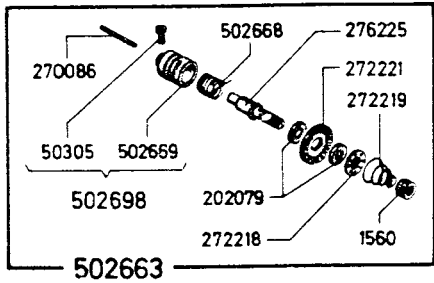
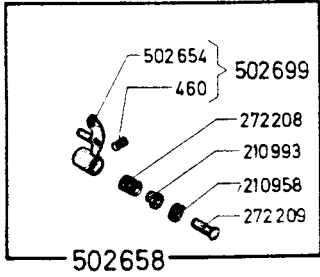
MACHINE 457 G 130

PARTS FOR MACHINES 457 G 130, 457 G 135,
457 G 155 AND 457 GX6 (SEE NUMERICAL
PARTS LIST ON REVERSE PAGE).





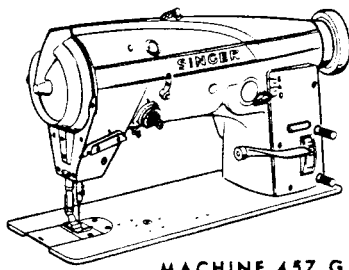
50429



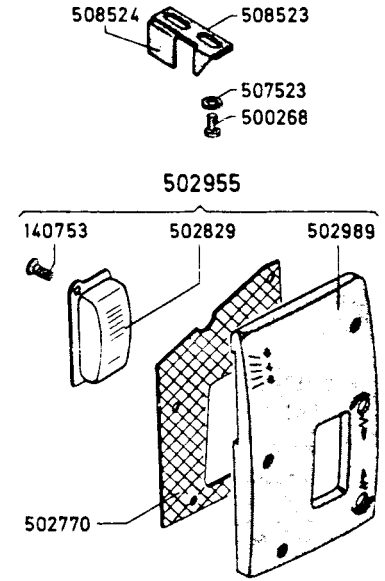
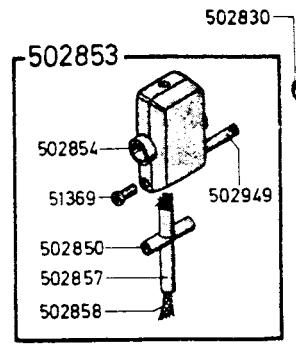
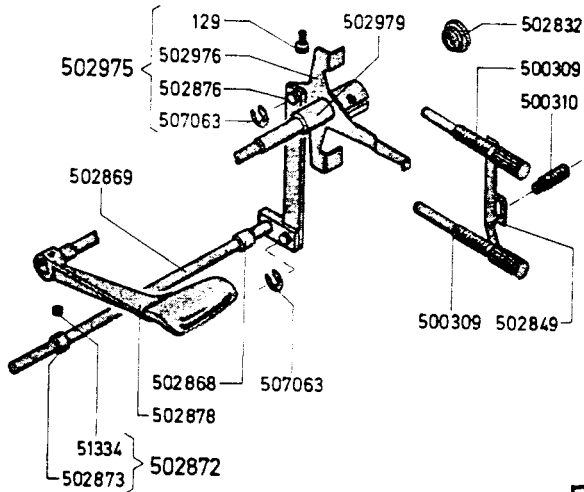
THE SINGER COMPANY
Copyright © 1968 by THE SINGER COMPANY

Printed in Western Germany

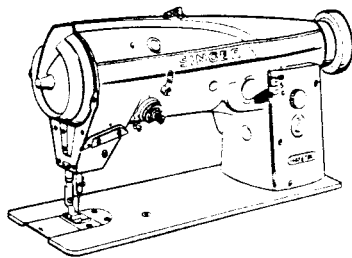
PARTS FOR MACHINE 457 G 135,
FOR PARTS NOT ILLUSTRATED AND/OR NOT
INDICATED BY REFERENCE NUMBERS,
REFER TO MACHINE 457 G 130.



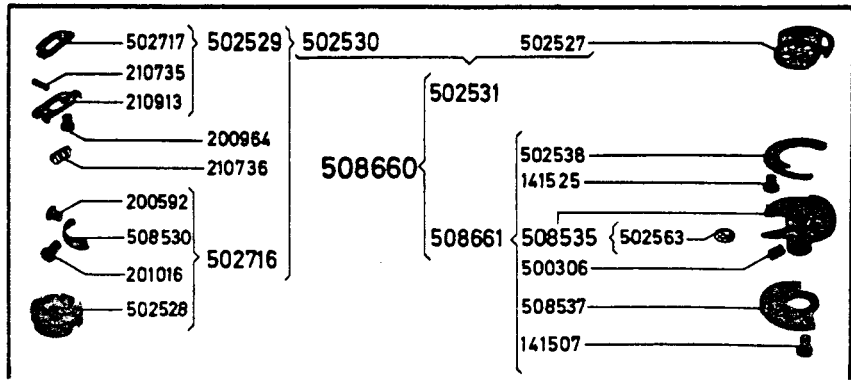
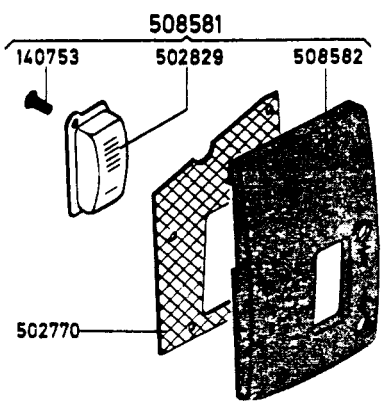
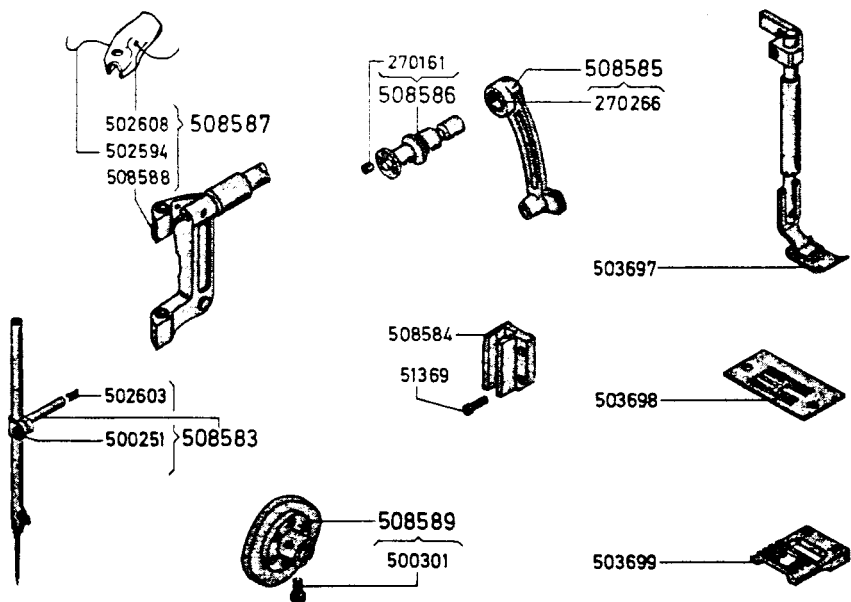
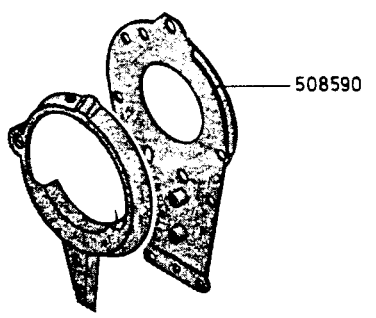
MACHINE 457 G 135

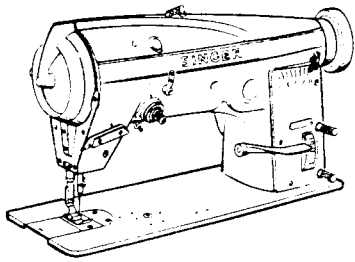


PARTS FOR MACHINE 457 GX6
FOR PARTS NOT ILLUSTRATED AND/OR NOT
INDICATED BY REFERENCE NUMBERS,
REFER TO MACHINE 457 G 130 AND 457 G 135.



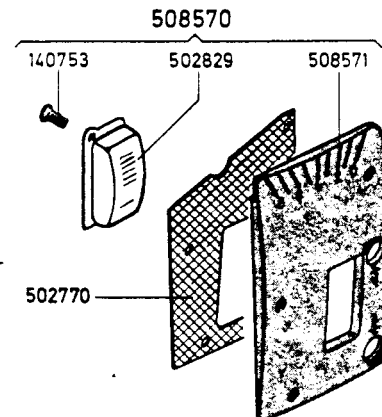
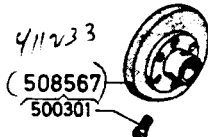
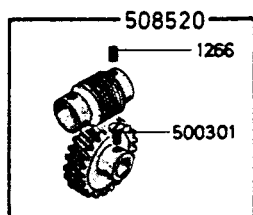
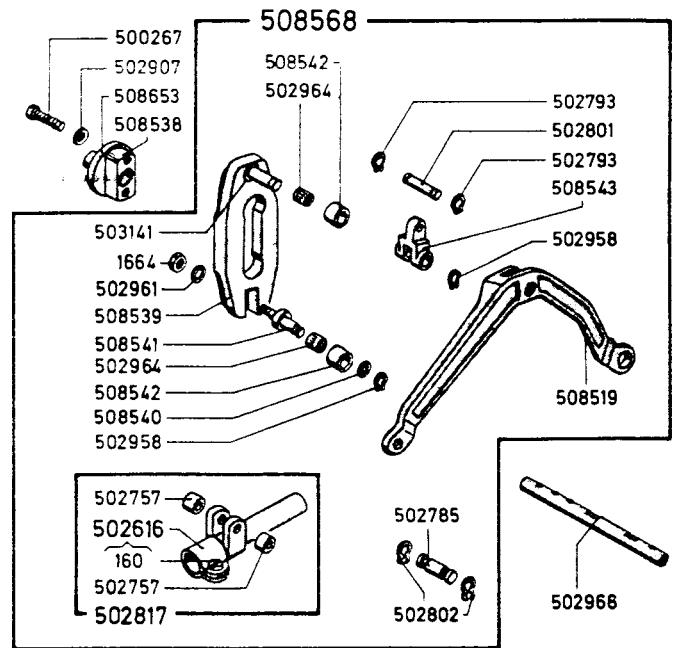
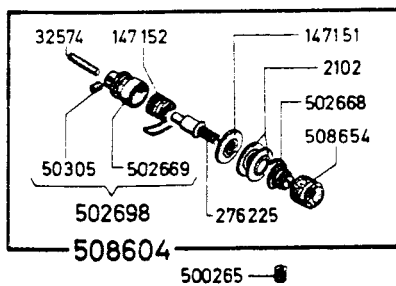
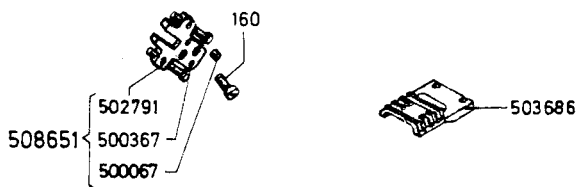
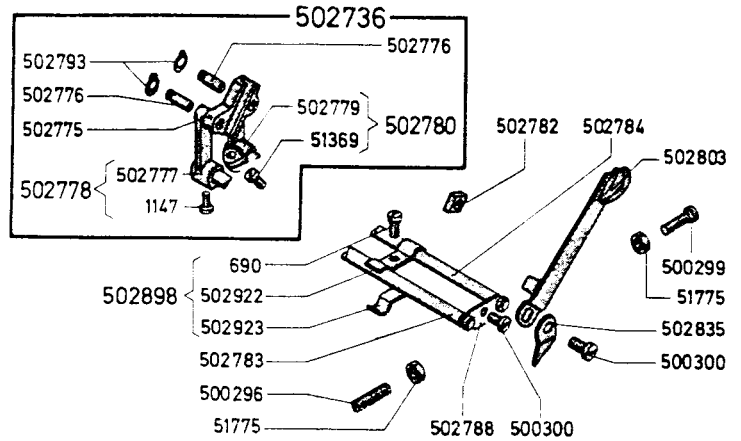
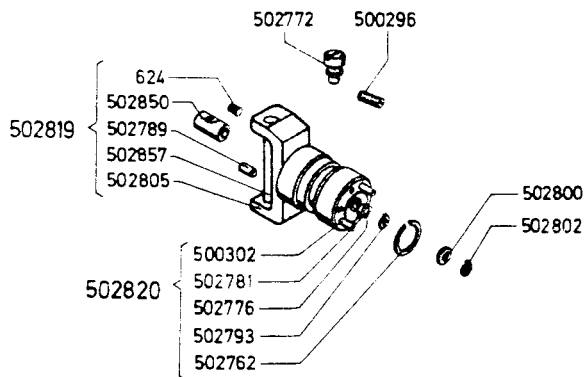
MACHINE 457 GX6

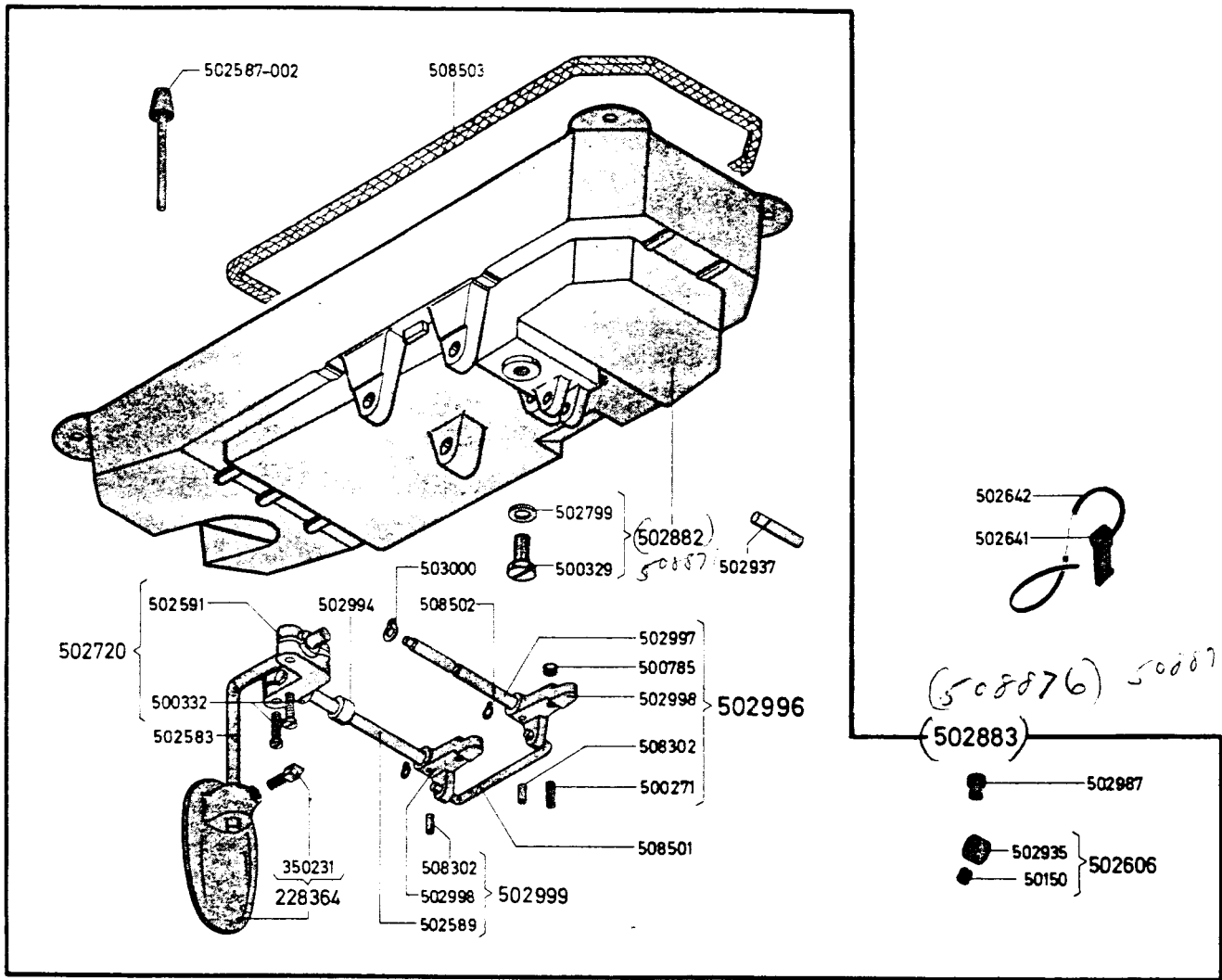




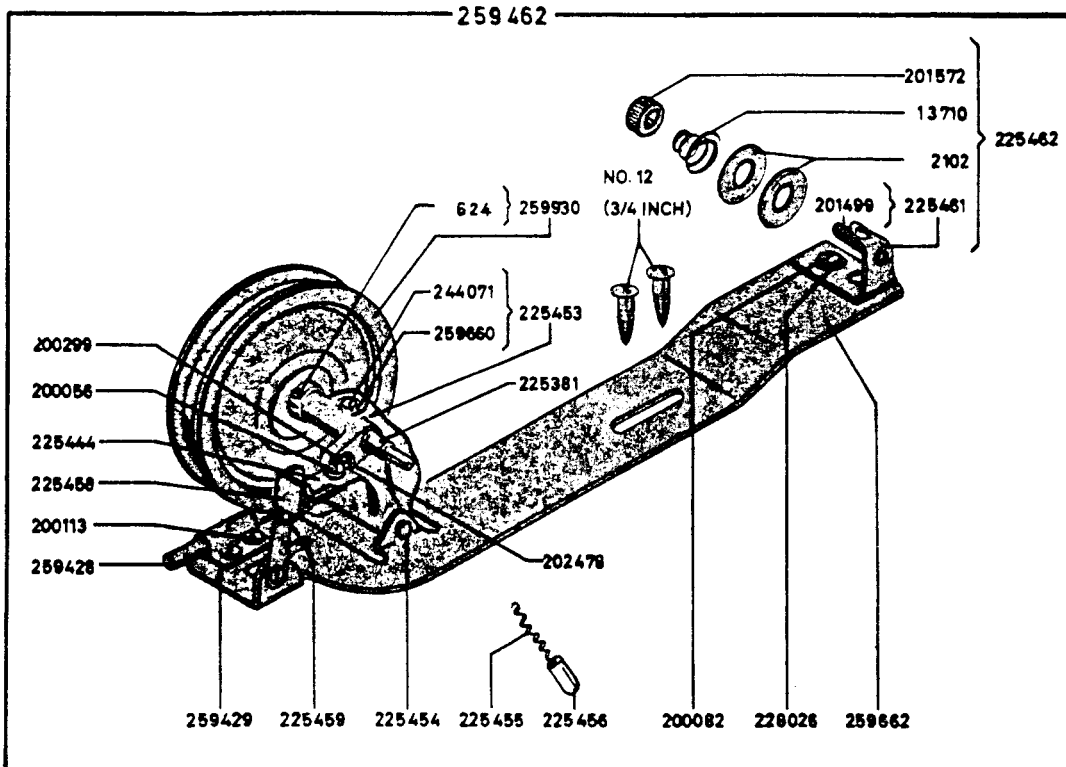
MACHINE 457 G 155

PARTS FOR MACHINE 457 G 155
 FOR PARTS NOT ILLUSTRATED AND/OR NOT
 INDICATED BY REFERENCE NUMBERS,
 REFER TO MACHINE 457 G 130 AND 457 G 135.



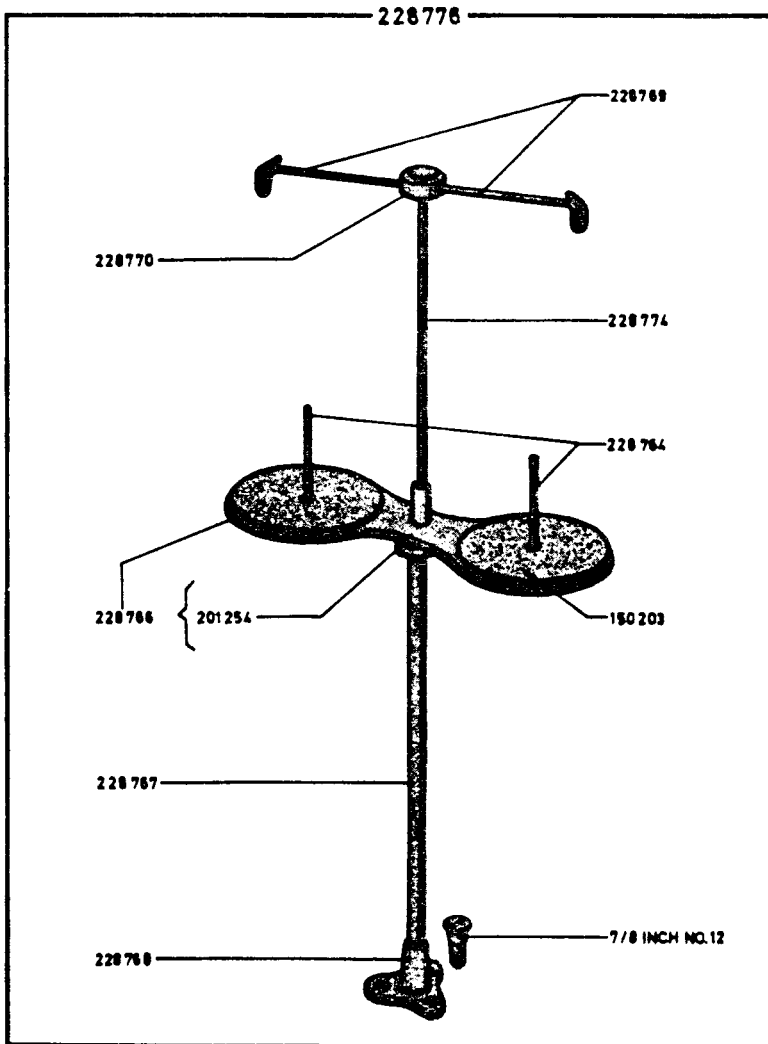


**ACCESSORIES FOR MACHINES
457 G 130, 457 G 135, 457 G 155 AND 457 GX6**

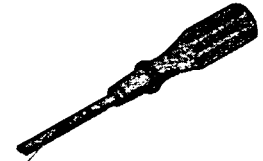


ACCESSORIES FOR MACHINES

457 G 130, 457 G 135, 457 G 155 AND 457 GX6



120440



225498



228476



144465



503669



503645



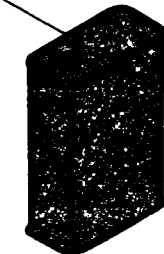
225554



225491



503673



121741

1906-12-1



1906-14-1



12361



176



231337



289



502526



FOR CLASS 457 G		DESCRIPTION	FOR CLASS 457 G		DESCRIPTION
PART NO.	130 135 155 GX6		PART NO.	130 135 155 GX6	
NO. 12	x x x x	BOBBIN WINDER WOOD SCREW (3/4 INCH) (2)	051775-850	- - x -	NEEDLE VIBRATING ADJUSTING LEVER STOP SCREW NUT (2)
NO. 12	x x x x	THREAD UNWINDER WOOD SCREW (7/8 INCH) (3)	120440	x x x x	SCREW DRIVER
000061-850	x x x x	ROTARY TAKE-UP GUARD HINGE SCREW	121741	x x x x	ONE QUART CAN FILLED WITH LIGHT GRADE OIL
000086-850	x x x x	KNEE LIFTER LIFTING LINK SCREW	140145-803	x x x x	KNEE LIFTER ROCK FRAME HINGE SCREW
000129-850	- x x x	FEED REGULATING SHAFT INDICATOR LEVER PINCH SCREW	140172-850	x x x x	NEEDLE BAR CRANK STUD PINCH SCREW
000160-850	x x x x	ARM COVER (FRONT) SCREW (3)	140346-833	x x x x	FEED DRIVING CONNECTION CARRIER FRAME BEARING STUD (RIGHT) SET SCREW
000160-850	x x x x	NEEDLE BAR YOKE CONNECTING LINK HINGE BEARING PINCH SCREW	140753-850	- x x x	STITCH LENGTH INDICATOR PLATE SCREW (2)
000160-850	x x - x	NEEDLE POSITION ADJUSTING CAM SLIDING BLOCK BRACKET SCREW (2)	141507-803	x x x x	HOOK NEEDLE GUARD AND COUNTERBALANCE SCREW
000160-850	- x x x	FEED REGULATING CONNECTION SHAFT CRANK PINCH SCREW	141525-806	x x x x	HOOK GIB SCREW (3)
000160-850	- - x -	NEEDLE POSITION ADJUSTING ECCENTRIC SLIDE BLOCK BRACKET SCREW (2)	141566-833	x x x x	MACHINE PULLEY POSITION SCREW
000176-850	x x x x	ATTACHMENT SCREW	141567-833	x x x x	MACHINE PULLEY SET SCREW
000190-850	x x x x	BOBBIN CASE STOP SCREW	143014	x x x x	HOOK DRIVING SHAFT BEVEL GEAR WITH TWO 1259
000199-850	x x x x	KNEE LIFTER ROCK FRAME HINGE STUD LOCK SCREW	144465	x x x x	WRENCH (1/8 INCH HEXAGON)
000201-850	x x x x	OIL SIGHT BODY SCREW (2)	147151	- - x -	TENSION RELEASING DISC
000207-803	x x x x	ARM HEAD OIL DRAIN WICK CLAMP SCREW (2)	147152	- - x -	TENSION SPRING
000223-850	x x x x	NEEDLE SET SCREW	150203	x x x x	THREAD UNWINDER SPOOL REST CUSHION (FELT) (2)
000237-833	x x x x	THREAD CUTTER (ON ROTARY TAKE-UP GUARD) SCREW	182514-819	x x x x	THREAD CUTTER (ON FACE PLATE) ADJUSTING SCREW NUT
000238-850	x x x x	NEEDLE BAR THREAD GUIDE SET SCREW	200056-805	x x x x	BOBBIN WINDER STOP LATCH SCREW
000238-850	x x x x	BED SLIDE SPRING SCREW (2)	200082-804	x x x x	BOBBIN WINDER TENSION BRACKET SCREW
000289-850	x x x x	CLOTH GUIDE THUMB SCREW	200113-806	x x x x	BOBBIN WINDER BRAKE CLAMP SCREW
000449-830	x x x x	FEED DRIVING ECCENTRIC SET SCREW	200115-850	x x x x	KNEE LIFTER LIFTING ROD COLLAR SET SCREW
000457-830	x x x x	HOOK OIL BYPASS PLUG SCREW	200299-819	x x x x	BOBBIN WINDER STOP LATCH TRIP HINGE SCREW
000460-833	x x x x	ARM SHAFT OIL SLINGER AND PINION SET SCREW	200393-833	x x x x	FEED DRIVING ROCK SHAFT COLLAR SET SCREW (4)
000460-833	x x x x	PRETENSION BRACKET SCREW	200592-803	x x x x	BOBBIN CASE CAP TENSION SPRING SCREW
000460-833	x x x x	THREAD PULL OFF SET SCREW	200964-802	x x x x	BOBBIN CASE LATCH STOP SCREW
000624-833	x x - x	NEEDLE BAR YOKE CONNECTING LINK CARRIER FRAME SLIDE STUD SET SCREW (2)	201016-803	x x x x	BOBBIN CASE CAP TENSION SPRING REGULATING SCREW
000624-833	x x x x	FEED BAR HINGE PIN SET SCREW (2)	201254-803	x x x x	THREAD UNWINDER SPOOL REST SET SCREW
000624-833	x x x x	BOBBIN WINDER PULLEY SET SCREW	201499-819	x x x x	BOBBIN WINDER TENSION STUD
000690-850	- - x -	NEEDLE VIBRATING ADJUSTING SHAFT CLAMPING BRACKET PINCH SCREW	201572-819	x x x x	BOBBIN WINDER TENSION STUD THUMB NUT
000792-850	x x - x	NEEDLE POSITION ADJUSTING LEVER SCREW (2)	202079	x - - x	TENSION FELT WASHER (2)
000858-833	x x x x	BED SHAFT BUSHING (FRONT, CENTER, BACK) SET SCREW (3)	202476	x x x x	BOBBIN WINDER STOP LATCH TRIP LEVER
000858-833	x x x x	HOOK DRIVING SHAFT BUSHING SET SCREW	202244	x x x x	FEED DRIVING ROCK SHAFT COLLAR (2) WITH TWO EACH 200393
000858-833	x x x x	HOOK SHAFT PRESSURE BUSHING SET SCREW	210505	x x x x	BED PLATE (BACK)
000998-833	x x x x	OIL RETURN TUBE SCREW	210735	x x x x	BOBBIN CASE LATCH FULCRUM PIN
001147-850	- - x -	NEEDLE VIBRATING ADJUSTING GUIDE CRANK SET SCREW	210736	x x x x	BOBBIN CASE LATCH SPRING
001177-850	x x x x	FEED DRIVING CONNECTION CRANK PINCH SCREW	210913	x x x x	BOBBIN CASE LATCH
001186-850	x x x x	OIL PUMP MOUNTING SCREW (2)	210958	x x x x	PRETENSION BRACKET COLLAR
001258-830	x x x x	OIL PUMP DRIVING GEAR SET SCREW (2)	210993	x x x x	PRETENSION BRACKET SLEEVE
001259-830	x x x x	NEEDLE BAR CRANK STUD POSITION SCREW	214206	x x x x	ARM SHAFT CONNECTION BELT PULLEY SPRING FLANGE
001259-830	x x x x	BED SHAFT GEAR SET SCREW (2)	225381	x x x x	BOBBIN WINDER SPINDLE
001259-830	x x x x	HOOK DRIVING SHAFT HELICAL GEAR SET SCREW (2)	225444	x x x x	BOBBIN WINDER STOP LATCH
001259-830	x x x x	HOOK DRIVING SHAFT BEVEL GEAR SET SCREW (2)	225453	x x x x	BOBBIN WINDER FRAME WITH 244071 AND 259660
001259-830	x x x x	HOOK SHAFT BEVEL GEAR SET SCREW (2)	225454	x x x x	BOBBIN WINDER FRAME HINGE PIN
001266-830	x x x x	NEEDLE VIBRATING WORM WHEEL SET SCREW (4)	225455	x x x x	BOBBIN WINDER FRAME SPRING
001349-850	x x x x	PRESSER BAR LIFTER HINGE SCREW	225456	x x x x	BOBBIN WINDER FRAME SPRING PLUNGER
001454-850	x x x x	ROTARY TAKE-UP GUARD SCREW (SHORT)	225458	x x x x	BOBBIN WINDER STOP LATCH THUMB LEVER
001472-850	x x x x	HOOK SHAFT BUSHING (FRONT) SET SCREW (3)	225459	x x x x	BOBBIN WINDER STOP LATCH THUMB LEVER HINGE AND JOINT STUD (2)
001485-850	x x x x	ROTARY TAKE-UP GUARD SCREW (LONG)	225461	x x x x	BOBBIN WINDER TENSION BRACKET WITH 201499
001529-850	x x x x	SPRING CATCH SCREW NUT	225462	x x x x	BOBBIN WINDER TENSION BRACKET WITH 13710, 201572, 225461 AND TWO 2102
001560-850	x x - x	TENSION THUMB NUT	225491	x x x x	MACHINE REST PIN (WOOD)
001654-850	x x x x	THREAD RETAINER LOCK NUT	225498	x x x x	SCREW DRIVER
001664-850	x x x x	NEEDLE VIBRATING CAM ROLLER STUD NUT	225554	x x x x	WRENCH
001747-850	x x x x	TENSION RELEASER ADJUSTING SCREW LOCK NUT	227227	x x x x	KNEE LIFTER LIFTING ROD COLLAR WITH 200113
1906-12-1	x x x x	NEEDLE (3)	228026	x x x x	BOBBIN WINDER TENSION BRACKET SCREW WASHER
1906-14-1	x x x x	NEEDLE (1-2)	228364	x x x x	KNEE LIFTER KNEE PLATE WITH 350251
002102	- - x -	TENSION DISC (2)	228476	x x x x	SCREW DRIVER (BOBBIN CASE)
002102	x x x x	BOBBIN WINDER TENSION DISC (2)	228764	x x x x	THREAD UNWINDER SPOOL PIN (2)
012361	x x x x	MACHINE HINGE CONNECTION (2)	228766	x x x x	THREAD UNWINDER SPOOL REST WITH 201254
013710	x x x x	BOBBIN WINDER TENSION SPRING	228767	x x x x	THREAD UNWINDER SPOOL REST ROD
032574	- - x -	TENSION RELEASING PIN	228768	x x x x	THREAD UNWINDER SPOOL STAND
050150-833	x x x x	FEED REVERSING FOOT CONTROL LEVER PIN COLLAR SET SCREW	228769	x x x x	THREAD UNWINDER THREAD GUIDE (2)
050305-850	x x x x	TENSION STUD SET SCREW	228770	x x x x	THREAD UNWINDER THREAD GUIDE HOLDER
050311-830	x x x x	OIL PUMP GEAR SET SCREW (2)	228774	x x x x	THREAD UNWINDER THREAD GUIDE ROD
050429-833	x x x x	PRETENSION BRACKET SCREW	228776	x x x x	THREAD UNWINDER CPL. (FOR TWO SPOOLS) 228766, 228767, 228768, 228770, 228774, TWO EACH 150203, 228764, 228769 AND THREE WOOD SCREWS NO. 12 (3/8 INCH)
050429-833	x x x x	THREAD CUTTER (ON FACE PLATE) ADJUSTING SCREW	230743	x x x x	HINGE SCREW THRUST WASHER
050578-850	x x x x	FEED BAR LIFTING LINK HINGE PIN PINCH SCREW	231337	x x x x	CLOTH GUIDE
050624-830	x x x x	FEED DOG SCREW (2)	244071	x x x x	BOBBIN WINDER FRAME OIL PACKING (WICK)
051334-830	- x x x	FEED REGULATING CONNECTION SHAFT COLLAR SET SCREW (2)	259428	x x x x	BOBBIN WINDER BRAKE (LEATHER)
051369-850	- - x -	NEEDLE VIBRATING ADJUSTING CRANK PINCH SCREW	259429	x x x x	BOBBIN WINDER BRAKE CLAMP
051369-850	x x x x	NEEDLE BAR CONNECTING STUD GUIDE BLOCK SCREW (2)	259462	x x x x	UNIVERSAL BOBBIN WINDER CPL. 200056, 200082, 200113, 200299, 202478, 225381, 225444, 225453 TO 225456, 225458, 225462, 228026, 259428, 259429, 259662, 259930, TWO EACH 225459 AND WOOD SCREW NO. 12 (3/4 INCH)
051369-850	x x x x	NEEDLE BAR CONNECTING LINK CLAMPING PLATE SCREW (2)	259660	x x x x	BOBBIN WINDER FRAME OIL WELL WASHER
051369-850	x x x x	PRESSER BAR POSITION GUIDE PINCH SCREW	259662	x x x x	BOBBIN WINDER AND TENSION BRACKET BASE
051369-850	x x x x	FEED DRIVING CONNECTION CARRIER FRAME SLIDE STUD SET SCREW	259930	x x x x	BOBBIN WINDER PULLEY WITH 624
051388-850	x x x x	FEED BAR LIFTING LINK HINGE PIN CAP SCREW	270086	x x - x	TENSION RELEASING PIN
			270161	x x x x	NEEDLE BAR CRANK STUD PIN
			270266	x x x x	NEEDLE BAR CONNECTING LINK NEEDLE BEARING
			271808	x x x x	HOOK SHAFT OIL FILTER WICK HOLDER SEAL
			272128	x x x x	ROTARY TAKE-UP GUARD COVER WINDOW

FOR CLASS 457 G 130 135 155 GX6		DESCRIPTION	FOR CLASS 457 G 130 135 155 GX6		DESCRIPTION
PART NO.			PART NO.		
272142	x x x x	MACHINE PULLEY BALL BEARING	500325-850	x x x x	MACHINE BASE AND OIL RESERVOIR PLUG SCREW
272143	x x x x	ARM SHAFT BALL BEARING	500332-850	x x x x	KNEE LIFTER ROCK SHAFT HUB PINCH SCREW (2)
272144	x x x x	BED SHAFT BALL BEARING	500367-850	- - x -	NEEDLE POSITION ADJUSTING ECCENTRIC STOP SCREW (2)
272208	x x x x	PRETENSION BRACKET SPRING	500785-850	x x x x	KNEE LIFTER CONTROL SHAFT CRANK STOP SCREW NUT
272209	x x x x	TENSION BRACKET STUD	500786-850	x x x x	HOOK OIL BYPASS PLUG SCREW NUT
272218	x x - x	TENSION RELEASE DISC	502505	x x x x	ARM HEAD OIL DRAIN WICK CLAMP (FRONT)
272219	x x - x	TENSION SPRING	502506	x x x x	OIL PUMP DRIVING GEAR
272221	x x - x	TENSION WHEEL	502508	x x x x	ARM SHAFT CONNECTION BELT
276025	x x x x	PRESSER BAR BALL	502509	x x x x	ARM SHAFT CONNECTION BELT PULLEY
276027	x x x x	PRESSER BAR LIFTER	502510	x x x x	ARM SHAFT OIL SHIELD
276051	x x x x	THREAD GUIDE (ON FACE PLATE)	502511-002	x x x x	ARM SHAFT OIL SLINGER AND PINION SPACER
276114	x x x x	NEEDLE BAR CONNECTING LINK THRUST WASHER	502515	x x x x	BED SHAFT BUSHING (FRONT)
276225	x x x x	TENSION STUD	502516	x x x x	BED SHAFT BUSHING OIL WICK
276236	x x x x	HOOK SHAFT OIL FILTER WICK HOLDER	502517	x x x x	BED CONNECTION BELT PULLEY
276508	x x x x	ROTARY TAKE-UP GUARD SPRING CATCH	502518-002	x x x x	BED CONNECTION BELT PULLEY SPACER
276536	x x x x	PRESSER BAR BUSHING	502519	x x x x	BED SHAFT GEAR
350231-850	x x x x	KNEE LIFTER KNEE PLATE SET SCREW	502521	x x x x	BED SHAFT GEAR BOX COVER GASKET
500067-830	x x - x	NEEDLE POSITION ADJUSTING CAM STOP SCREW SET SCREW (2)	502522	x x x x	BED SLIDE
500067-830	- - x -	NEEDLE POSITION ADJUSTING ECCENTRIC STOP SCREW SET SCREW (2)	502526	x x x x	BOBBIN (1) (2)
500104-850	x x x x	ARM OIL SHIELD (AERATED PLASTIC) RETAINER SCREW (2)	502527	x x x x	BOBBIN CASE BASE
500115-850	x x x x	OIL DISTRIBUTOR PLATE SCREW	502528	x x x x	BOBBIN CASE CAP
500212-833	x x x x	FEED DRIVING CONNECTION CARRIER FRAME BEARING STUD (LEFT) SET SCREW	502529	x x x x	BOBBIN CASE LATCH CPL. 210735, 210913 AND 502717
500244-850	x x x x	ROTARY TAKE-UP SCREW (2)	502530	x x x x	BOBBIN CASE CAP CPL. 200964, 210736, 502529 AND 502716
500244-850	x x x x	BED PLATE SCREW (BACK) (2)	502531	x x x x	BOBBIN CASE CPL. 502527 AND 502530
500244-850	x x x x	THROAT PLATE SCREW (2)	502532	x x x -	HOOK BODY WITH 502563
500245-805	x x x x	BED SHAFT GEAR BOX OVERFLOW AND DRAIN PLUG SCREW	502533	x x x x	HOOK DRIVING SHAFT BUSHING OIL WICK
500246-850	x x x x	THREAD GUIDE SCREW (2)	502534	x x x -	HOOK AND BOBBIN CASE CPL. 502531 AND 502562
500246-850	x x x x	FACE PLATE SCREW (8)	502536	x x x x	BOBBIN CASE STOP
500246-850	x x x x	ROTARY TAKE-UP GUARD SPRING CATCH SCREW	502537	x x x -	FACE PLATE
500247-833	x x x x	HOOK OIL REGULATING SCREW	502538	x x x x	HOOK GIB
500248-001	x x x x	ARM PLUG SCREW	502539-002	x x x -	HOOK NEEDLE GUARD COUNTERBALANCE
500250-850	x x x x	MACHINE LEG SCREW (2)	502540-002	x x x x	FEED BAR
500251-850	x x x x	NEEDLE BAR CONNECTING STUD PINCH SCREW	502541	x x x x	FEED BAR HINGE PIN
500256-850	x x x x	PRESSER FOOT SCREW	502542	x x x x	FEED BAR HINGE PIN OILING FELT
500257-850	x x x x	FEED DRIVING ROCK SHAFT CRANK PINCH SCREW	502544	x x x x	FEED BAR HINGE PIN THRUST WASHER (2)
500259-803	x x x x	TENSION RELEASE ADJUSTING SCREW	502545	x x x x	FEED BAR LIFTING LINK
500260-830	x x x x	PRESSER BAR SPRING SCREW	502546	x x x x	FEED BAR LIFTING LINK HINGE PIN
500261-850	x x x x	PRESSER BAR SPRING SCREW STUD	502558	x x x x	FEED DRIVING ROCK SHAFT BUSHING (BACK)
500262-833	x x x x	THREAD GUIDE (ON FACE PLATE) SCREW	502559	x x x x	FEED DRIVING ROCK SHAFT CRANK WITH 500257
500262-833	x x x x	THREAD CUTTER (ON FACE PLATE) SCREW	502560-002	x x x x	FEED DRIVING ROCK SHAFT OIL WICK
500263-850	x x x x	HOOK SHAFT GEAR BOX COVER SCREW (4)	502562	x x x -	HOOK CPL. 141507, 502532, 502538, 502539-002, TWO 500306 AND THREE 141525
500263-850	x x x x	BED SHAFT GEAR BOX COVER SCREW (6)	502563	x x x x	HOOK OIL RETAINING WASHER
500264-830	x x x x	HOOK SHAFT BUSHING FRONT SET SCREW	502565	x x x x	HOOK DRIVING SHAFT
500265-833	x x x x	THREAD REGULATOR SET SCREW	502566	x x x x	HOOK DRIVING SHAFT BUSHING
500267-850	x x x x	ARM COVER (TOP) SCREW (LONG) (2)	502567	x x x x	HOOK DRIVING SHAFT HELICAL GEAR
500267-850	- - x -	NEEDLE VIBRATING CAM SHAFT BUSHING (BACK) SCREW (2)	502568	x x x x	HOOK SHAFT
500268-850	x x x x	ARM COVER (BACK) SCREW (6)	502569	x x x x	HOOK SHAFT BEVEL GEAR
500268-850	x x x x	ARM COVER (TOP) SCREW (SHORT) (2)	502572	x x x x	HOOK SHAFT BUSHING CAP GASKET
500268-850	x x x x	OIL GUARD SCREW (2)	502573	x x x x	HOOK SHAFT GEAR BOX COVER
500268-850	x x x x	FEED DRIVING CONNECTION CARRIER FRAME STOP SCREW (2)	502574	x x x x	HOOK SHAFT GEAR BOX COVER GASKET
500271-833	x x x x	KNEE LIFTER CONTROL SHAFT CRANK STOP SCREW	502575	x x x x	HOOK SHAFT GEAR BOX OIL PIPE
500272-830	x x x x	ARM SHAFT CONNECTION BELT PULLEY SET SCREW	502576-002	x x x x	HOOK SHAFT GEAR BOX OIL PIPE
500274-830	x x x x	ARM SHAFT CONNECTION BELT PULLEY POSITION SCREW	502577	x x x x	NEEDLE VIBRATING CAM SHAFT BUSHING (FRONT) SET SCREW PLUG
500275-850	x x x x	TENSION RELEASE HINGE SCREW	502577	x x x x	HOOK SHAFT GEAR BOX PLUG
500287-850	x x x x	ROTARY TAKE-UP GUARD COVER WINDOW SCREW	502581	x x x x	HOOK SHAFT PRESSURE BUSHING
500296-833	x x x x	NEEDLE POSITION ADJUSTING CAM REGULATING STUD SET SCREW	502582	x x x x	HOOK SHAFT PRESSURE BUSHING OIL WICK
500296-833	- - x -	NEEDLE VIBRATING ADJUSTING LEVER STOP SCREW (LEFT)	502583	x x x x	KNEE LIFTER KNEE PLATE ARM
500298-850	x x - x	NEEDLE POSITION ADJUSTING CAM STOP SCREW (2)	502584	x x x x	KNEE LIFTER LIFTING LINK
500299-850	- - x -	NEEDLE VIBRATING ADJUSTING LEVER STOP SCREW (RIGHT)	502586	x x x x	KNEE LIFTER LIFTING ROD SPRING
500300-850	- - x -	NEEDLE VIBRATING ADJUSTING SHAFT RETAINER SCREW	502587-002	x x x x	KNEE LIFTER PLUNGER
500300-850	- - x -	NEEDLE VIBRATING ADJUSTING LEVER SCREW	502589	x x x x	KNEE LIFTER ROCK SHAFT
500301-850	x x x x	NEEDLE VIBRATING CAM SCREW (2)	502591	x x x x	KNEE LIFTER ROCK SHAFT HUB
500301-850	x x x x	NEEDLE VIBRATING WORM GEAR SCREW (2)	502593	x x x x	MACHINE LEG (REAR)
500302-803	x x - x	NEEDLE BAR YOKE CONNECTING LINK CARRIER FRAME BUSHING SET SCREW (2)	502594	x x x x	NEEDLE BAR OIL FELT CORD
500302-803	- - x -	NEEDLE POSITION ADJUSTING ECCENTRIC STOP SCREW (2)	502597	x x x x	NEEDLE BAR THREAD GUIDE
500303-830	x x x x	NEEDLE VIBRATING CAM SHAFT BUSHING (FRONT) SET SCREW	502598	x x x -	NEEDLE BAR CONNECTING LINK WITH 270266
500306-830	x x x x	HOOK SET SCREW (2)	502600	x x x x	NEEDLE BAR CONNECTING LINK GUIDE BLOCK
500307-850	x x x x	ARM SHAFT BUSHING (CENTER) SCREW	502601	x x x x	NEEDLE BAR CONNECTING LINK CLAMP PLATE
500308-830	x x x x	FEED DRIVING ECCENTRIC POSITION SCREW	502602	x x x -	NEEDLE BAR CONNECTING STUD
500309-850	- x x x	FEED REGULATING SHAFT INDICATOR STOP SCREW (2)	502603	x x x x	NEEDLE BAR CONNECTING STUD OIL WICK
500310-833	- x x x	FEED REGULATING SHAFT INDICATOR STOP SCREW RETAINING SPRING SCREW	502604	x x x -	NEEDLE BAR CONNECTING STUD GUIDE BLOCK
500312-850	x x x x	SINGER LIGHT STUD HOLE SCREW PLUG (FOR UN-USED HOLE)	502606	x x x x	FEED REVERSING FOOT CONTROL LEVER PIN COLLAR 502935 WITH 50150
500315-830	x x x x	NEEDLE BAR YOKE GUIDE SET SCREW (2)	502607	x x x -	NEEDLE BAR CRANK STUD
500319-830	x x x x	BED CONNECTION BELT PULLEY SET SCREW (2)	502608	x x x x	NEEDLE BAR OIL FELT
500320-830	x x x x	ARM HEAD OIL DRAIN WICK SLINGER SET SCREW (2)	502610	x x x x	HOOK SHAFT BUSHING (FRONT)
			502611	x x x x	HOOK SHAFT BUSHING CAP
			502616	x x x x	NEEDLE BAR YOKE CONNECTING LINK HINGE BEARING WITH 160
			502622	x x x x	ROTARY TAKE-UP GUARD HINGE SCREW SPRING WASHER
			502635-002	x x x x	OIL DELIVERY TUBE
			502641	x x x x	MACHINE BASE AND OIL RESERVOIR STATIC GROUNDING CONTACT
			502642	x x x x	MACHINE BASE AND OIL RESERVOIR STATIC GROUNDING CONTACT WIRE
			502643	x x x x	OIL PUMP BODY

FOR CLASS 457 G		DESCRIPTION	FOR CLASS 457 G		DESCRIPTION
PART NO.	130 135 155 GX6		PART NO.	130 135 155 GX6	
502644	x x x x	OIL PUMP GEAR	502775	- - x -	NEEDLE VIBRATING ADJUSTING BRACKET
502645	x x x x	PRESSER BAR POSITION GUIDE	502776	- - x -	NEEDLE VIBRATING ADJUSTING BRACKET STUD (2)
502646	x x x x	OIL PUMP SCREW SHAFT	502776	- - x -	NEEDLE POSITION ADJUSTING ECCENTRIC BUSHING (SMALL SLIDE BLOCK STUD
502647-002	x x x x	OIL RETURN TUBE (UPPER) SHORT	502777	- - x -	NEEDLE VIBRATING ADJUSTING GUIDE CRANK
502648-002	x x x x	OIL RETURN TUBE (LOWER) LONG	502778	- - x -	NEEDLE VIBRATING ADJUSTING GUIDE CRANK 502777 WITH 1147
502650-002	x x x x	OIL SIGHT BODY AND WICK 502651	502779	- - x -	NEEDLE VIBRATING ADJUSTING CRANK
502651	x x x x	OIL SIGHT WICK	502780	- - x -	NEEDLE VIBRATING ADJUSTING CRANK 502779 WITH 51369
502653	x x x x	PRESSER BAR SPRING	502781	- - x -	NEEDLE POSITION ADJUSTING ECCENTRIC SLIDE BLOCK
502654	x x x x	PRETENSION BRACKET	502782	- - x -	NEEDLE VIBRATING ADJUSTING BRACKET SLIDE BLOCK
502655	x x x x	ROTARY TAKE-UP	502783	- - x -	NEEDLE VIBRATING ADJUSTING GUIDE CRANK SHAFT
502656	x x x x	ROTARY TAKE-UP GUARD	502784	- - x -	NEEDLE VIBRATING ADJUSTING CRANK SHAFT
502657	x x x x	ROTARY TAKE-UP GUARD COVER	502785	x x x x	NEEDLE BAR YOKE CONNECTING LINK HINGE BEARING STUD
502658	x x x x	PRETENSION BRACKET CPL. 210955, 210993, 272208, 272209 AND 502699	502786	x x x x	KNEE LIFTER ROCK FRAME
502659	x x x x	ROTARY TAKE-UP MOUNTING DISC	502788	- - x -	NEEDLE VIBRATING ADJUSTING SHAFT RETAINER
502660-002	x x x x	TENSION RELEASER	502789	- - x -	NEEDLE BAR YOKE CONNECTING LINK CARRIER FRAME STUD
502661-002	x x x x	TENSION RELEASER CPL. 1747, 500259 AND 502660-002	502790	x x - x	NEEDLE POSITION ADJUSTING LEVER
502662	x x x x	TENSION RELEASER SPRING	502791	- - x -	NEEDLE POSITION ADJUSTING ECCENTRIC SLIDE BLOCK BRACKET
502663	x x - x	TENSION CPL. 1560, 270086, 272218, 272219, 272220, 274225, 502668, 502698 AND TWO 202079	502792	- - x -	NEEDLE VIBRATING CAM ROLLER GUIDE COMPENSATING LINK STUD SNAP RING (2)
502665	x x x x	THREAD GUIDE	502793	- - x -	NEEDLE POSITION ADJUSTING ECCENTRIC BUSHING (SMALL SLIDE BLOCK STUD SNAP RING
502666	x x x x	THREAD PULL OFF	502793	- - x -	NEEDLE VIBRATING ADJUSTING BRACKET STUD SNAP RING (2)
502667	x x x x	THREAD RETAINER	502799	x x x x	MACHINE BASE AND OIL RESERVOIR DRAIN PLUG SCREW GASKET
502668	x x x x	THREAD TAKE-UP SPRING	502800	- - x -	NEEDLE BAR YOKE CONNECTION LINK CARRIER FRAME DISC SPRING
502669	x x x x	THREAD TAKE-UP SPRING REGULATOR	502801	- - x -	NEEDLE VIBRATING CAM ROLLER GUIDE COMPENSATING LINK STUD
502670	x x x x	THREAD CLUTTER (ON ROTARY TAKE-UP GUARD)	502802	x x x x	NEEDLE BAR YOKE CONNECTING LINK HINGE BEARING STUD SNAP RING (2)
502672	x x x x	NEEDLE BAR YOKE BEARING BACK	502802	- - x -	NEEDLE BAR YOKE CONNECTING LINK CARRIER FRAME SNAP RING
502674	x x x x	NEEDLE BAR YOKE BEARING FRONT	502803	- - x -	NEEDLE VIBRATING ADJUSTING LEVER
502675-002	x x x x	FEED DRIVING ROCK SHAFT CRANK CPL. 51386, 502541, 502542, 502544, 502545, 502546, 502710 AND 502711-002	502805	- - x -	NEEDLE BAR YOKE CONNECTING LINK CARRIER FRAME
502676	x x x x	HOOK SHAFT PRESSURE BUSHING 502581 WITH 502582	502806	x x x x	ARM COVER (BACK)
502677	x x x x	HOOK SHAFT WITH OIL FILTER CPL. 271806, 274236, 502568, 502928 AND 502958	502811	x x x x	ARM COVER (TOP)
502679	x x x x	KNEE LIFTER ROCK FRAME HINGE STUD PIN	502817	x x x x	NEEDLE BAR YOKE CONNECTING LINK HINGE BEARING WITH 502616 AND TWO 502757
502681-002	x x x x	ARM SHAFT WITH 1259, 140170 AND 502725-002	502818	x x x x	HOOK GEAR BOX VENT CAP
502682	x x x x	ARM SHAFT CONNECTION BELT PULLEY CPL. 214206, 500272, 500274 AND 502509	502819	- - x -	NEEDLE BAR YOKE CONNECTING LINK CARRIER FRAME CPL. 502789, 502805, 502850, 502857 AND TWO 624
502687-002	x x x -	NEEDLE BAR YOKE WITH OIL BELT CPL. 502594, 502608 AND 502688-002	502820	- - x -	NEEDLE POSITION ADJUSTING ECCENTRIC CPL. 502776, 502781, 502793 AND TWO EACH 500302 AND 502762
502688-002	x x x -	NEEDLE BAR YOKE	502822	x x x x	KNEE LIFTER ROCK FRAME WITH 502679, 502756 AND 502786
502693	x x x -	NEEDLE BAR CONNECTING STUD WITH 500251, 502602 AND 502603	502823	x x x x	KNEE LIFTER LIFTING ROD WITH TWO 502830
502694	x x x -	NEEDLE BAR CRANK STUD WITH 270161 AND 502607	502824	x x x x	HOOK DRIVING SHAFT PLUG (FOR UN-USED BED HOLE)
502696	x x x x	PRESSER BAR POSITION GUIDE WITH 51369 AND 502645	502825	x x x x	NEEDLE VIBRATING CAM SHAFT BUSHING (FRONT)
502698	x x x x	THREAD TAKE-UP SPRING REGULATOR 502669 WITH 50305	502826	x x x x	FEED DRIVING ROCK SHAFT BUSHING (FRONT)
502699	x x x x	PRETENSION BRACKET WITH 460 AND 502654	502829	- x x x	STITCH LENGTH INDICATOR PLATE
502702	x x x x	OIL PUMP GEAR WITH 502644 AND TWO 500211	502830	x x x x	KNEE LIFTER LIFTING ROD GRIP RING (2)
502703	x x x x	BED SHAFT BUSHING (FRONT) 502516 WITH 502516	502830	- x x x	FEED DRIVING CONNECTION CARRIER FRAME SPRING STUD GRIP RING
502704	x x x x	BED CONNECTION BELT PULLEY WITH 502517 AND TWO 500319	502831	x x x x	ARM SHAFT BUSHING (CENTER) SCREW PLUG
502705	x x x x	OIL PUMP DRIVING GEAR WITH 502506 AND TWO 1036	502832	x x x x	FEED REGULATING SHAFT PLUG (FOR UN-USED HOLE)
502710	x x x x	FEED DRIVING ROCK SHAFT CRANK WITH 502559 AND TWO 624	502833	x x x x	ARM COVER (BACK) GASKET
502711-002	x x x x	FEED BAR 502540-002 WITH PINCH SCREW 50378	502834	x x x x	ARM OIL SHIELD (AERATED PLASTIC) RETAINER
502712	x x x x	BED SHAFT GEAR WITH 502519 AND TWO 1259	502835	- - x -	NEEDLE VIBRATING ADJUSTING LEVER OIL GUIDE
502713	x x x x	HOOK DRIVING SHAFT BUSHING WITH 502533 AND 502566	502836	x x x x	BED SHAFT WITH 502752 AND 502837
502714	x x x x	HOOK DRIVING SHAFT HELICAL GEAR 502567 WITH TWO 1259	502837	x x x x	BED SHAFT
502715	x x x x	HOOK SHAFT BEVEL GEAR 502569 WITH TWO 1259	502838	x x x x	BED SHAFT BUSHING (BACK)
502716	x x x x	BOBBIN CASE CAP CPL. 200592, 201016, 502528 AND 508530	502839	x x x x	FEED DRIVING ECCENTRIC WITH 449, 500308 AND 502840
502717	x x x x	BOBBIN CASE LATCH LEVER	502840	x x x x	FEED DRIVING ECCENTRIC
502720	x x x x	KNEE LIFTER ROCK SHAFT HUB 502591 WITH TWO 500332	502841	x x x x	FEED DRIVING CONNECTION CPL. 502843, 502844, 502847, TWO 502845 AND FOUR 507063
502723-002	x x x x	ARM SHAFT CRANK WITH NEEDLE BAR CRANK	502843	x x x x	FEED DRIVING CONNECTION LEVER
502736	- - x -	NEEDLE VIBRATING ADJUSTING BRACKET CPL. 502775, 502776, 502780 AND TWO EACH 502776 AND 502793	502844	x x x x	FEED DRIVING CONNECTION LINK
502751	x x x x	NEEDLE VIBRATING CAM SHAFT BUSHING (BACK) PLUG	502845	x x x x	FEED DRIVING CONNECTION LEVER HINGE PIN (2)
502752	x x x x	BED SHAFT BUSHING (CENTER) OIL TUBE PLUG	502847	x x x x	FEED DRIVING CONNECTION CRANK WITH 1177 AND 502848
502752	x x x x	BED SHAFT PLUG	502848	x x x x	FEED DRIVING CONNECTION
502757	x x x x	NEEDLE BAR YOKE CONNECTING LINK HINGE BEARING BUSHING (2)	502849	- x x x	FEED REGULATING SHAFT INDICATOR STOP SCREW RETAINING SPRING
502758	x x x x	KNEE LIFTER ROCK FRAME HINGE STUD			
502760	x x x x	NEEDLE VIBRATING CAM SHAFT BUSHING (FRONT) PLUG			
502762	- - x -	NEEDLE POSITION ADJUSTING ECCENTRIC BUSHING (SMALL) SNAP RING (2)			
502763	x x x x	ARM SHAFT BUSHING (CENTER)			
502764	x x x x	OIL GUARD			
502770	x x x x	ARM COVER (FRONT) GASKET			
502772	x x x x	NEEDLE POSITION ADJUSTING CAM REGULATING STUD			

FOR CLASS 457 G 130 135 155 GX6			FOR CLASS 457 G 130 135 155 GX6		
PART NO.		DESCRIPTION	PART NO.		DESCRIPTION
502850	x x - x	NEEDLE BAR YOKE CONNECTING LINK SLIDE BEARING	502949	- x x x	FEED DRIVING CONNECTING CARRIER FRAME SPRING STUD
502850	x x x x	FEED DRIVING CONNECTION LEVER SLIDE BEARING	502951-850	x - - -	NEEDLE POSITION ADJUSTING CAM SET SCREW
502853	- x x x	FEED DRIVING CONNECTION CARRIER FRAME CPL. 51369, 502850, 502854, 502857, 502858 AND 502949	502952	x x - x	NEEDLE BAR YOKE CONNECTING LINK CARRIER FRAME CPL. 502850, 502857, 502953 AND TWO 624
502854	x x x x	FEED DRIVING CONNECTION CARRIER FRAME	502953	x x - x	NEEDLE BAR YOKE CONNECTING LINK CARRIER FRAME
502857	x x - x	NEEDLE BAR YOKE CONNECTING LINK CARRIER FRAME SLIDE STUD	502955	- x - -	ARM COVER (FRONT) 502989 WITH 502829 AND TWO 140753
502857	x x x x	FEED DRIVING CONNECTION FRAME SLIDE STUD	502956	x x - x	NEEDLE BAR YOKE CONNECTING LINK CPL. 1664, 502785, 502817, 502957, 502959, 502961, 502962, 502963, 502990 AND TWO EACH 502802, 502958, 502960 AND 502964
502858	x x x x	FEED DRIVING CONNECTION LEVER SLIDE STUD OIL WICK	502957	x x - x	NEEDLE BAR YOKE CONNECTING LINK
502859	x x x x	FEED DRIVING CONNECTION CARRIER FRAME BEARING STUD (LEFT)	502958	x x x x	NEEDLE BAR YOKE CONNECTING LINK SNAP RING (2)
502860	x x x x	FEED DRIVING CONNECTION CARRIER FRAME BEARING STUD (RIGHT)	502958	x x x x	HOOK SHAFT SNAP RING
502862	- x x x	FEED REGULATING CONNECTION SHAFT CRANK LINK	502959	x x - x	NEEDLE VIBRATING CAM ROLLER GUIDE
502863	- x x x	FEED REGULATING CONNECTION SHAFT CRANK 502864 WITH 160	502960	x x - x	NEEDLE VIBRATING CAM ROLLER (2)
502864	- x x x	FEED REGULATING CONNECTION SHAFT CRANK	502961	x x x x	NEEDLE VIBRATING CAM ROLLER STUD SPRING WASHER
502866	- x x x	FEED DRIVING CONNECTION CARRIER FRAME SPRING	502962	x x - x	NEEDLE VIBRATING CAM ROLLER STUD
502867	- x x x	FEED DRIVING CONNECTION CARRIER FRAME SPRING STUD	502963	x x - x	NEEDLE VIBRATING CAM ROLLER STUD WASHER
502868	x x x x	FEED REGULATING CONNECTION SHAFT BUSHING	502964	x x x x	NEEDLE VIBRATING CAM ROLLER NEEDLE BEARING CAGE (2)
502869	- x x x	FEED REGULATING CONNECTION SHAFT COLLAR 502873 WITH TWO 51334	502966	x x - x	NEEDLE VIBRATING CAM SHAFT SLIDE BLOCK
502872	- x x x	FEED REGULATING CONNECTION SHAFT COLLAR	502967	x x x x	NEEDLE VIBRATING CAM SHAFT BUSHING (BACK)
502873	- x x x	FEED REGULATING SHAFT INDICATOR LEVER CONNECTING LINK	502968	x x x x	NEEDLE VIBRATING CAM SHAFT
502876	- x x x	FEED REGULATING SHAFT WITH LEVER	502969	x x - -	NEEDLE VIBRATING CAM WITH TWO 500301
502878	- x x x	FEED DRIVING ROCK SHAFT WITH 502560-002 AND 502880	502975	- x x x	FEED REGULATING SHAFT INDICATOR CPL. 129, 502876, 502976 AND 507063
502879	x x x x	FEED DRIVING ROCK SHAFT	502976	- x x x	FEED REGULATING SHAFT INDICATOR LEVER
502880	x x x x	BED SHAFT GEAR BOX COVER	502977	x x - x	NEEDLE POSITION ADJUSTING CAM SLIDE BLOCK BRACKET WITH 502974 AND TWO EACH 500067 AND 500298
502881	x x x x	MACHINE BASE AND OIL RESERVOIR WITH 500329 AND 502799	502979	- x x x	FEED REGULATING SHAFT SPACER
502882	x x x x	MACHINE BASE AND OIL RESERVOIR WITH 500329 AND 502799	502980	x - - -	FEED DRIVING CONNECTION CARRIER FRAME COLLAR
502883	x x x x	MACHINE BASE AND OIL RESERVOIR WITH KNEE LIFTER CPL. 228364, 502587-002, 502583, 502606, 502720, 502882, 502937, 502994, 502996, 508501, 508503, 503000 AND TWO 508502	502981	x - - -	FEED DRIVING CONNECTION CARRIER FRAME
502884	x x x x	BED SPACER (FRONT AND REAR SIDE) (2)	502982-850	x - - -	FEED DRIVING CONNECTION CARRIER FRAME THUMB NUT
502885	x x x x	BED SPACER (REAR) (2)	502983	x - - -	FEED DRIVING CONNECTION CARRIER FRAME STUD
502886	x x x x	HOOK SHAFT GEAR BOX OIL PIPE HOLDER	502984	x - - -	ARM COVER (FRONT)
502888	x x x x	BED SHAFT BUSHING (CENTER)	502985	x - - -	FEED DRIVING CONNECTION CARRIER FRAME CPL. 51369, 502850, 502854, 502857, 502858 AND 502983
502890	x x x x	ARM OIL SHIELD (AERATED PLASTIC)	502986	x - - -	FEED REGULATING SHAFT PLUG
502891	x x x x	SINGER LIGHT STUD HOLE SCREW PLUG GASKET	502987	x x x x	FEED REVERSING PLUNGER HOLE PLUG (FOR UN-USED HOLE)
502892	x x x x	FEED DRIVING ROCK SHAFT BUSHING (CENTER)	502989	- x - -	ARM COVER (FRONT)
502896	x x x x	NEEDLE BAR YOKE GUIDE (REAR)	502990	x x - x	NEEDLE VIBRATING CAM ROLLER SPRING WASHER
502897	x x x x	NEEDLE BAR YOKE GUIDE (FRONT)	502991	x x x x	ARM PLUG SCREW GASKET RING
502898	- - x -	NEEDLE VIBRATING ADJUSTING SHAFT CLAMPING BRACKET CPL. 690, 502922 AND 502923	502992	x x x x	ARM SHAFT BUSHING (CENTER) SCREW GASKET RING
502907	x x x x	ARM COVER (BACK) SCREW GASKET RING (6)	502992	x x x x	KNEE LIFTER ROCK FRAME HINGE STUD LOCK SCREW GASKET RING
502907	x x x x	ARM COVER (TOP) SCREW (LONG) GASKET RING (2)	502993	x x x x	NEEDLE BAR CPL. 223, 238 AND 502597
502907	x x x x	ARM COVER (TOP) SCREW (SHORT) GASKET RING (2)	502994	x x x x	KNEE LIFTER ROCK SHAFT SPACER
502907	x x x x	ARM COVER (FRONT) SCREW GASKET RING (3)	502996	x x x x	KNEE LIFTER CONTROL SHAFT CPL. 500271, 500785, 502997, 502998 AND 508302
502907	- - x -	NEEDLE VIBRATING CAM SHAFT BUSHING (BACK) GASKET RING (2)	502997	x x x x	KNEE LIFTER CONTROL SHAFT
502908	x x x x	BED SHAFT BUSHING (CENTER) OIL TUBE	502998	x x x x	KNEE LIFTER CONTROL SHAFT CRANK
502909	x x x x	ARM COVER (TOP) GASKET	502998	x x x x	KNEE LIFTER ROCK SHAFT CRANK
502914	x x x x	ARM HEAD OIL DRAIN WICK SLINGER CPL. 502915 AND TWO 500302	502999	x x x x	KNEE LIFTER ROCK SHAFT CPL. 502589, 502998 AND 508302
502915	x x x x	ARM HEAD OIL DRAIN WICK SLINGER	503000	x x x x	KNEE LIFTER CONTROL SHAFT GRIP RING
502916	x x x x	ARM HEAD OIL DRAIN WICK	503141	- - x -	NEEDLE VIBRATING CAM ROLLER STUD WASHER
502917	x x x x	OIL RETURN TUBE	503595	x x x -	PRESSER FOOT (HINGED)
502918	x x x x	ARM HEAD OIL DRAIN WICK CLAMP (UPPER)	503669	x x x x	WRENCH (5/64 INCH HEXAGON)
502919	x x x x	ARM HEAD OIL DRAIN WICK CLAMP (BACK)	503673	x x x x	WRENCH (25/64 INCH HEXAGON)
502920	x x x x	PRESSER BAR SPRING SCREW STUD GASKET	503682	x x x -	THROAT PLATE
502922	- - x -	NEEDLE VIBRATING ADJUSTING SHAFT CLAMPING BRACKET (UPPER)	503683	x x - -	FEED DOG
502923	- - x -	NEEDLE VIBRATING ADJUSTING SHAFT CLAMPING BRACKET (LOWER)	503686	- - x -	FEED DOG
502926	x x x x	ARM SHAFT OIL SLINGER AND PINION SPACER WITH 460 AND 502511-002	503697	- - - x	PRESSER FOOT (HINGED)
502927	x x x x	ARM SHAFT AND NEEDLE BAR CRANK PIN	503698	- - - x	THROAT PLATE
502928	x x x x	HOOK SHAFT OIL FILTER FELT (WICK)	503699	- - - x	FEED DOG
502930	x x x x	NEEDLE BAR YOKE GUIDE SET SCREW (2)	507063	x x x x	FEED DRIVING CONNECTION LEVER HINGE PIN RETAINER (4)
502931	- x x x	FEED DRIVING CONNECTION CARRIER FRAME SPRING RETAINER	507063	- x x x	FEED REGULATING CONNECTION SHAFT CRANK LINK RETAINER
502932	- x x x	FEED DRIVING CONNECTION CARRIER FRAME SPRING 502866 WITH 502931	507063	- x x x	FEED REGULATING SHAFT INDICATOR LEVER HINGE STUD RETAINER
502935	x x x x	FEED REVERSING FOOT CONTROL LEVER PIN COLLAR	507063	- x x x	FEED REGULATOR SHAFT INDICATOR LEVER HINGE STUD RETAINER
502937	x x x x	FEED REVERSING FOOT CONTROL LEVER PIN	507523	x x x x	FEED DRIVING CONNECTION CARRIER FRAME STOP SCREW WASHER (2)
502946	x x x x	OIL RETURN TUBE (LOWER) (LONG) CLAMP	508302	x x x x	KNEE LIFTER ROCK SHAFT CRANK PIN
502948	x x x x	PRESSER BAR WITH PRESSER FOOT SCREW 500256	508302	x x x x	KNEE LIFTER CONTROL SHAFT CRANK PIN
			508501	x x x x	KNEE LIFTER ROCK SHAFT CONNECTION
			508502	x x x x	KNEE LIFTER ROCK SHAFT CONNECTION GRIP RING (2)

PART NO.	FOR CLASS 457 G				DESCRIPTION	PART NO.	FOR CLASS 457 G				DESCRIPTION
	130	135	155	GX6			130	135	155	GX6	
508503	x	x	x	x	MACHINE BASE AND OIL RESERVOIR GASKET	508570	-	-	x	-	ARM COVER (FRONT) 508571 WITH 502829
508505	x	x	x	x	OIL FILTER WITH OIL FILTER MOUNTING SUPPORT	508571	-	-	x	-	AND TWO 140753
508506	x	x	x	x	BED SLIDE SPRING	508581	-	-	-	x	ARM COVER (FRONT)
508507	x	x	x	x	BED SLIDE CPL. 502822, 508506 AND TWO 238	508582	-	-	-	x	ARM COVER (FRONT) 508582 WITH 502829
508511	x	x	x	x	MACHINE PULLEY WITH 141566, 141567 AND 272142	508583	-	-	-	x	AND TWO 140753
508513	x	x	-	x	PAIR OF NEEDLE VIBRATING WORM GEAR AND NEEDLE VIBRATING WORM WHEEL WITH TWO 500301 AND FOUR 1266	508584	-	-	-	x	ARM COVER (FRONT)
508514	x	x	x	x	OIL DISTRIBUTOR PLATE	508585	-	-	-	x	NEEDLE BAR CONNECTING STUD
508518	x	x	x	x	THREAD CUTTER (ON FACE PLATE)	508586	-	-	-	x	NEEDLE BAR CONNECTING STUD GUIDE BLOCK
508519	-	-	x	-	NEEDLE BAR YOKE CONNECTING LINK	508587	-	-	-	x	NEEDLE BAR CONNECTING LINK WITH 270266
508520	-	-	x	-	PAIR OF NEEDLE VIBRATING WORM GEAR AND NEEDLE VIBRATING WORM WHEEL WITH TWO 500301 AND FOUR 1266	508588	-	-	-	x	NEEDLE BAR CRANK STUD WITH 270161
508523	-	x	x	x	FEED DRIVING CONNECTION CARRIER FRAME STOP (BACK)	508589	-	-	-	x	NEEDLE BAR YOKF WITH 502594, 502608 AND 508588
508524	-	x	x	x	FEED DRIVING CONNECTION CARRIER FRAME STOP (FRONT)	508604	-	-	x	-	NEEDLE BAR YOKE
508527	x	x	x	x	BOBBIN CASE BASE	508604	-	-	x	-	NEEDLE VIBRATING CAM WITH TWO 500301
508530	x	x	x	x	BOBBIN CASE TENSION SPRING	508604	-	-	x	-	FACE PLATE
508535	-	-	-	x	HOOK BODY WITH 502563	508651	-	-	x	-	TENSION CPL. 32574, 147151, 147152, 276225, 502668, 502698, 508654 AND TWO 2102
508537	-	-	-	x	HOOK NEEDLE GUARD AND COUNTERBALANCE	508653	-	-	x	-	NEEDLE POSITION ADJUSTING ECCENTRIC SLIDE BLOCK BRACKET CPL. 502791 AND TWO EACH 500067 AND 500367
508538	-	-	x	-	NEEDLE VIBRATING CAM SHAFT BUSHING (BACK)	508654	-	-	x	-	NEEDLE VIBRATING CAM SHAFT BUSHING (BACK) WASHER
508539	-	-	x	-	NEEDLE VIBRATING CAM ROLLER GUIDE	508660	-	-	-	x	TENSION THUMB NUT CAP
508540	-	-	x	-	NEEDLE VIBRATING CAM ROLLER STUD WASHER	508661	-	-	-	x	HOOK AND BOBBIN CASE CPL. 502531 AND 508661
508541	-	-	x	-	NEEDLE VIBRATING CAM ROLLER STUD	508674	x	x	x	x	HOOK CPL. 141507, 502538, 508535, 508537, TWO 500306 AND THREE 141525
508542	-	-	x	-	NEEDLE VIBRATING CAM ROLLER (2)						ARM HEAD OIL DRAIN WICK GUARD
508543	-	-	x	-	NEEDLE VIBRATING CAM ROLLER GUIDE COMPENSATING LINK						
508567	-	-	x	-	NEEDLE VIBRATING CAM WITH TWO 500301						
508568	-	-	x	-	NEEDLE BAR YOKE CONNECTING LINK CPL. 1664, 502801, 502785, 502817, 502961, 503141, 508519, 508539, 508540, 508541, 508543, TWO EACH 502793, 502802, 502958, 502964 AND 508542						