

**SINGER**  
**410W111**

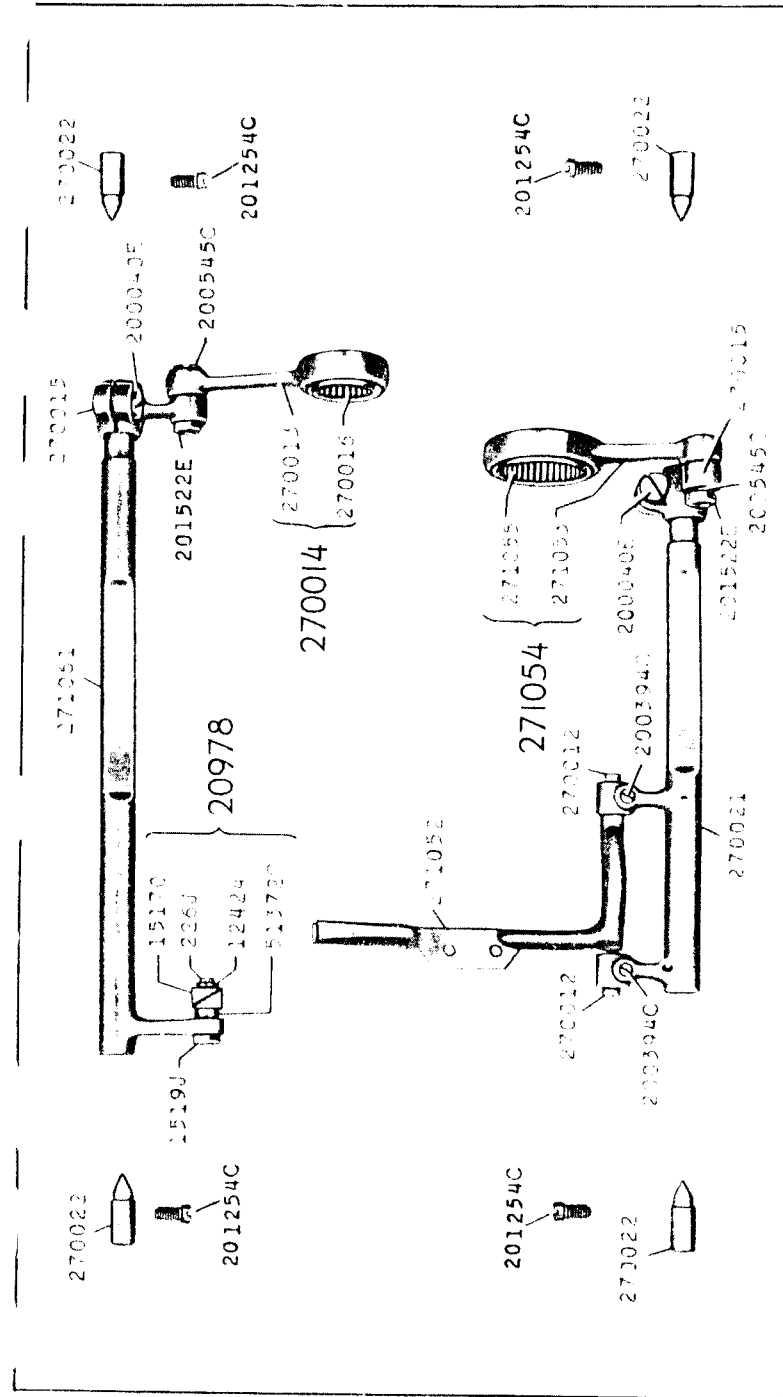
# SINGER\*\*

410wIII

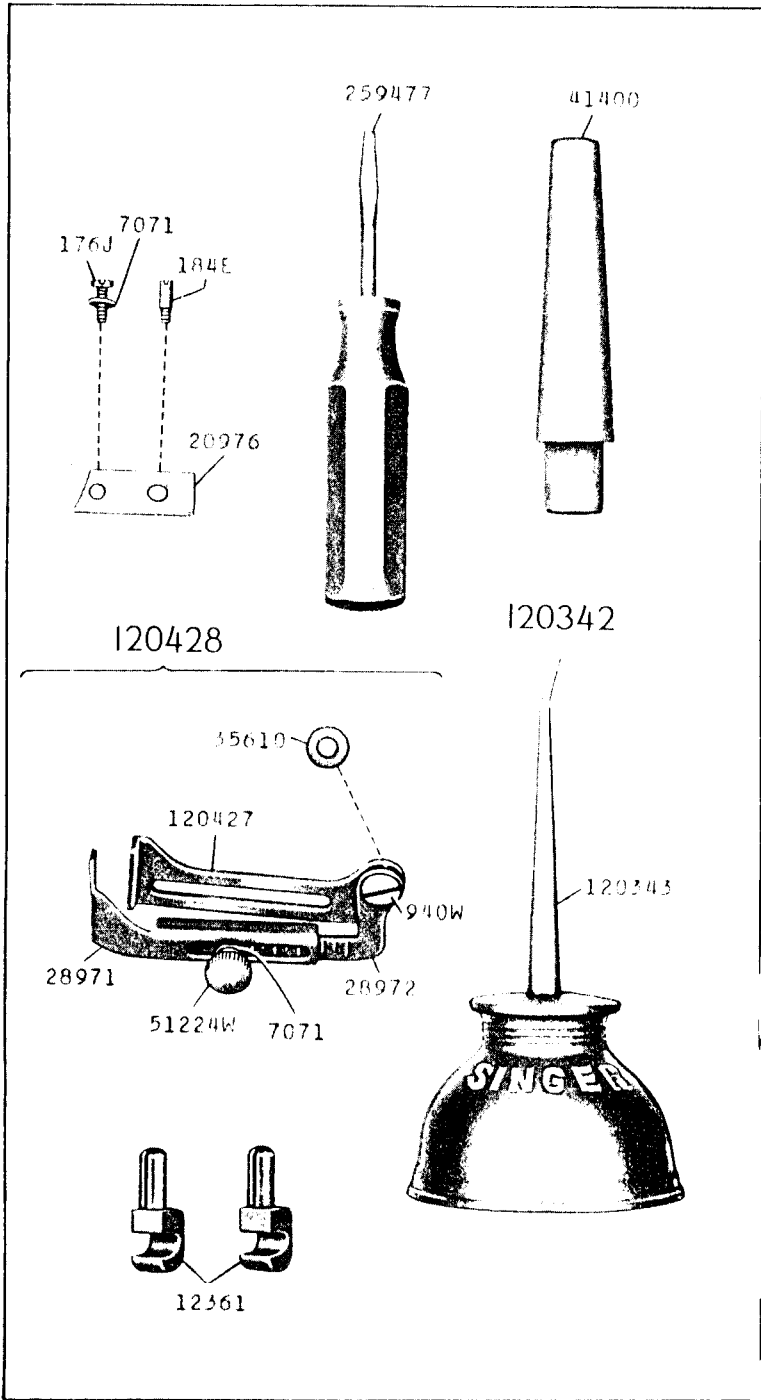


\*\* A TRADE MARK OF

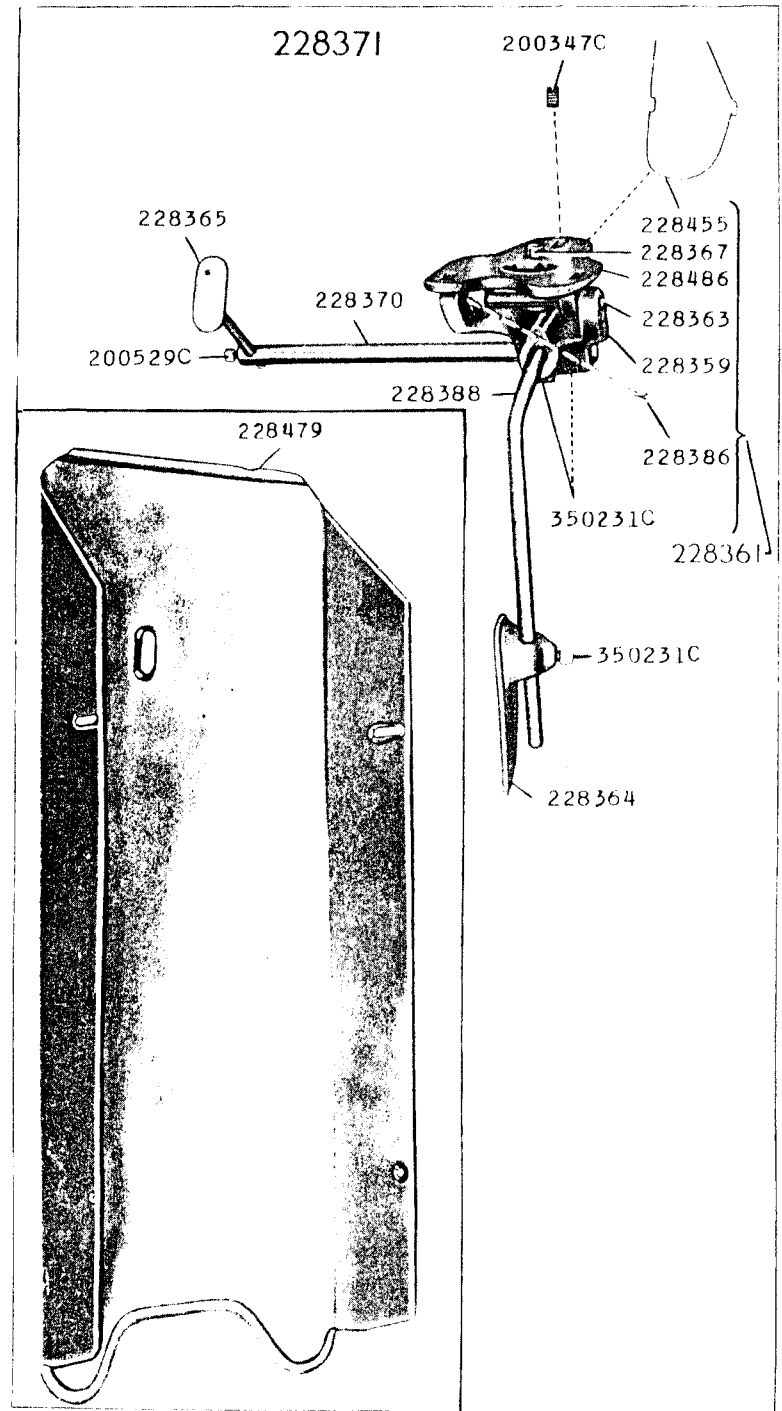
THE SINGER MANUFACTURING COMPANY



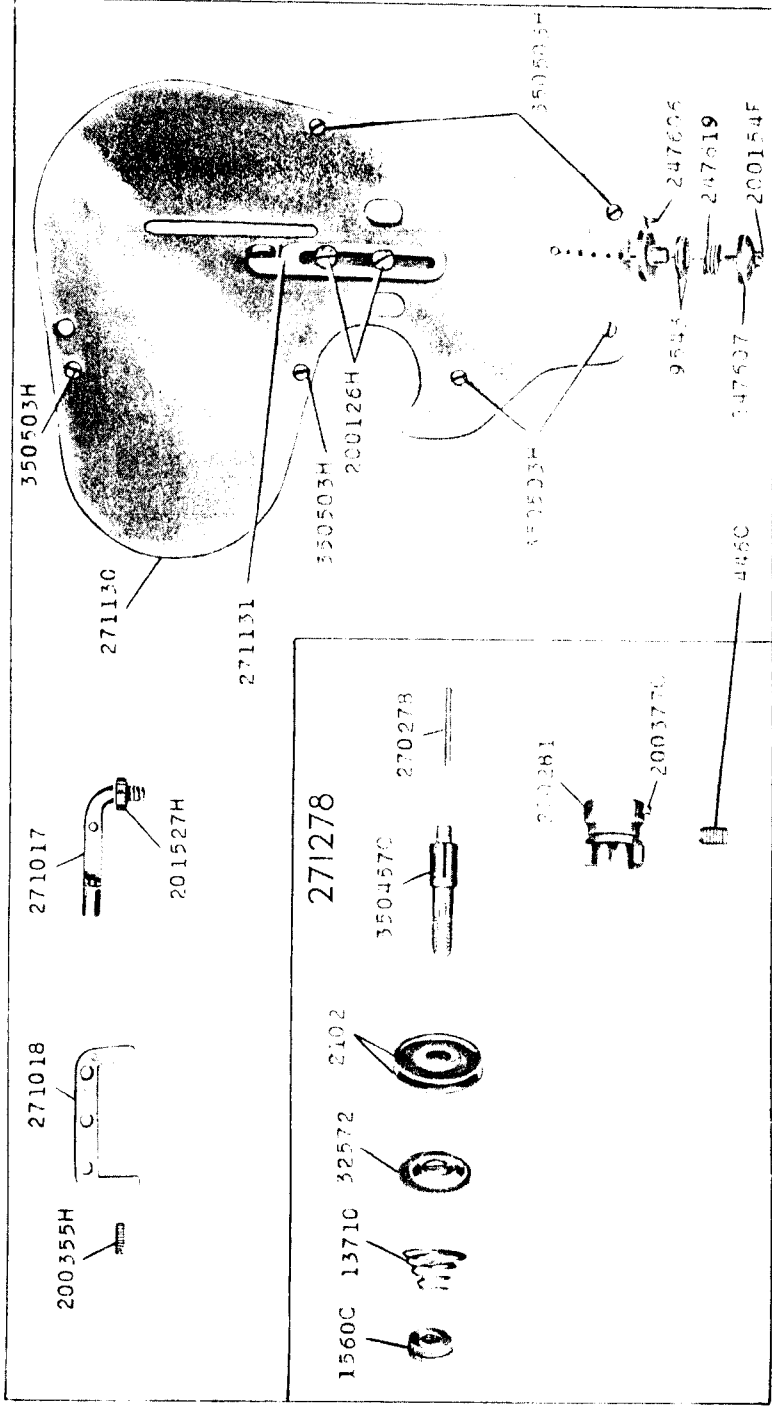
18299 - 1/2



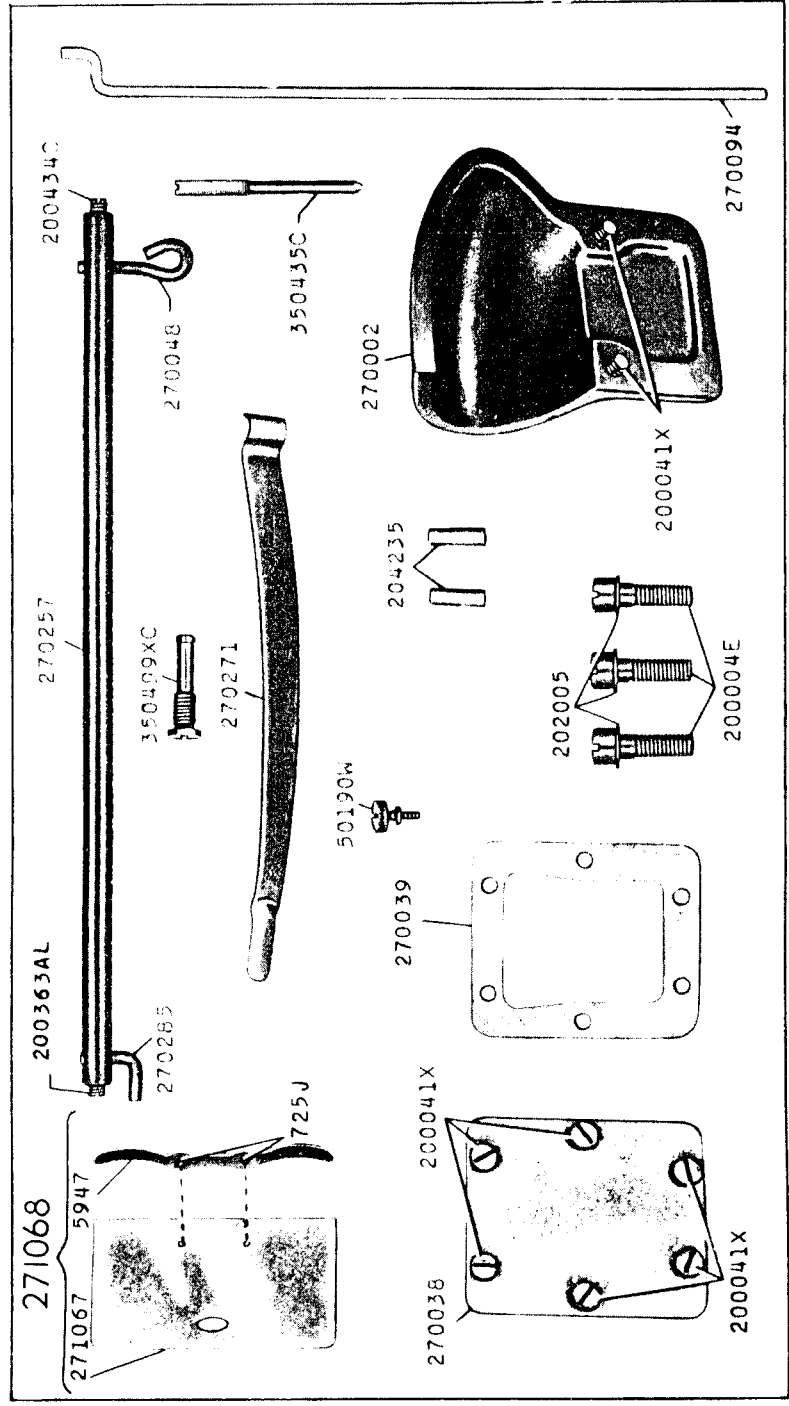
18333 - 1/4



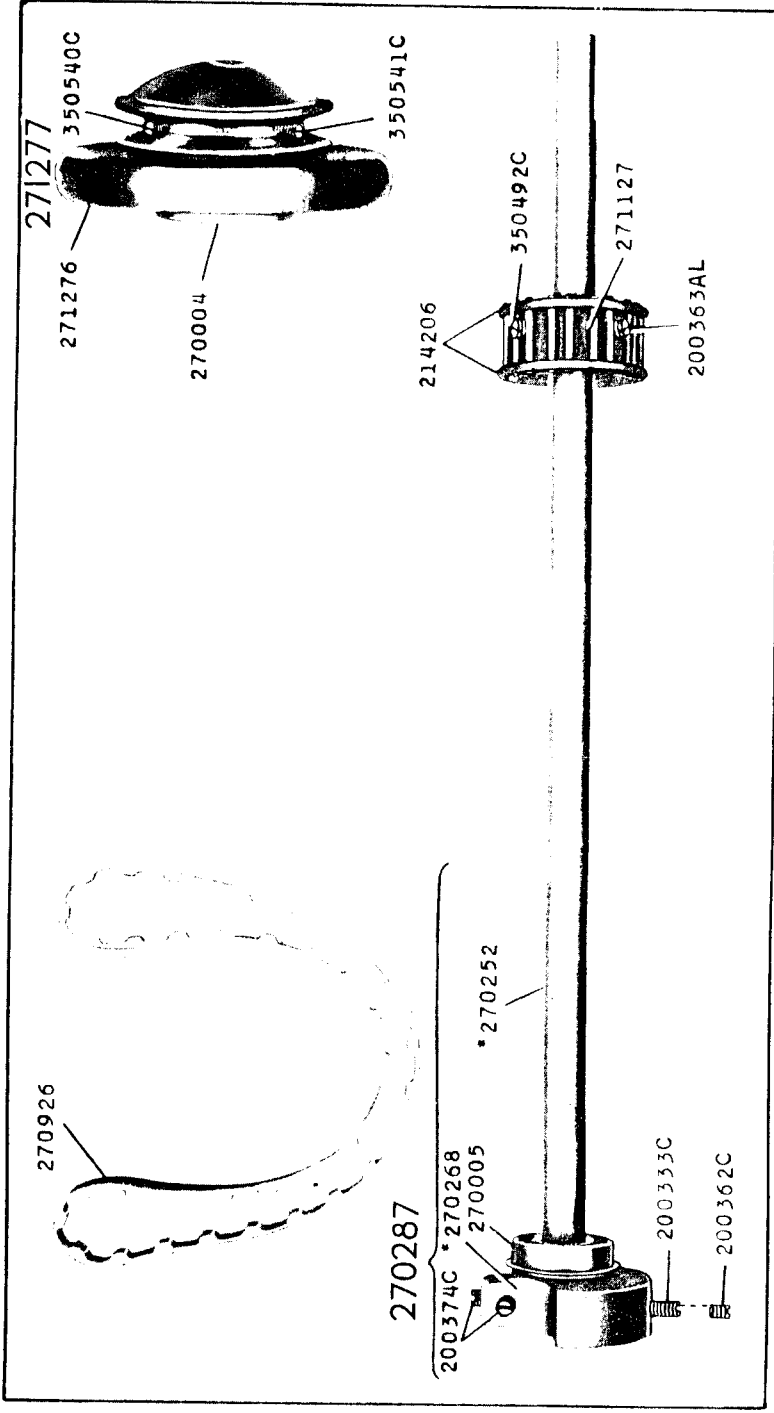
18457 - 1/2



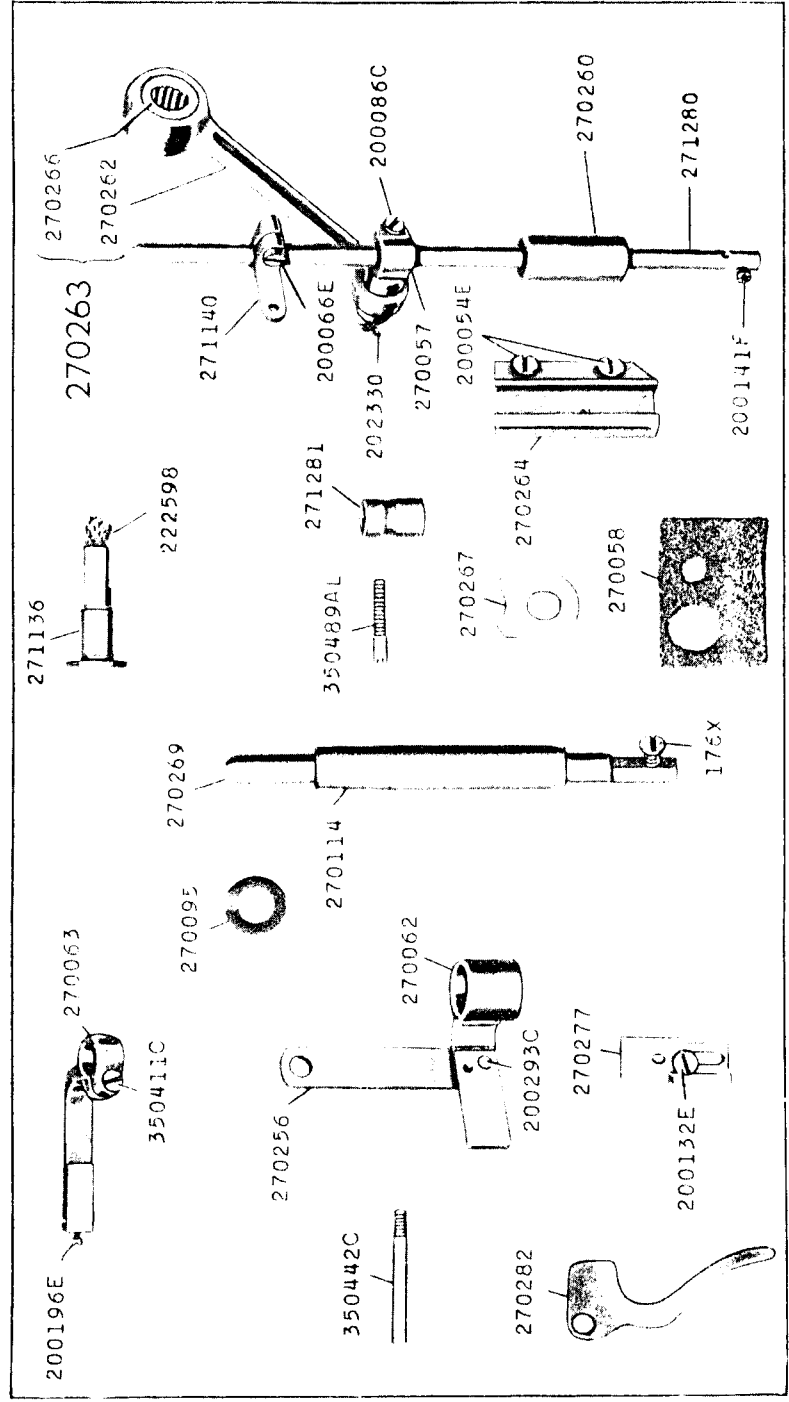
18460 - 3/8



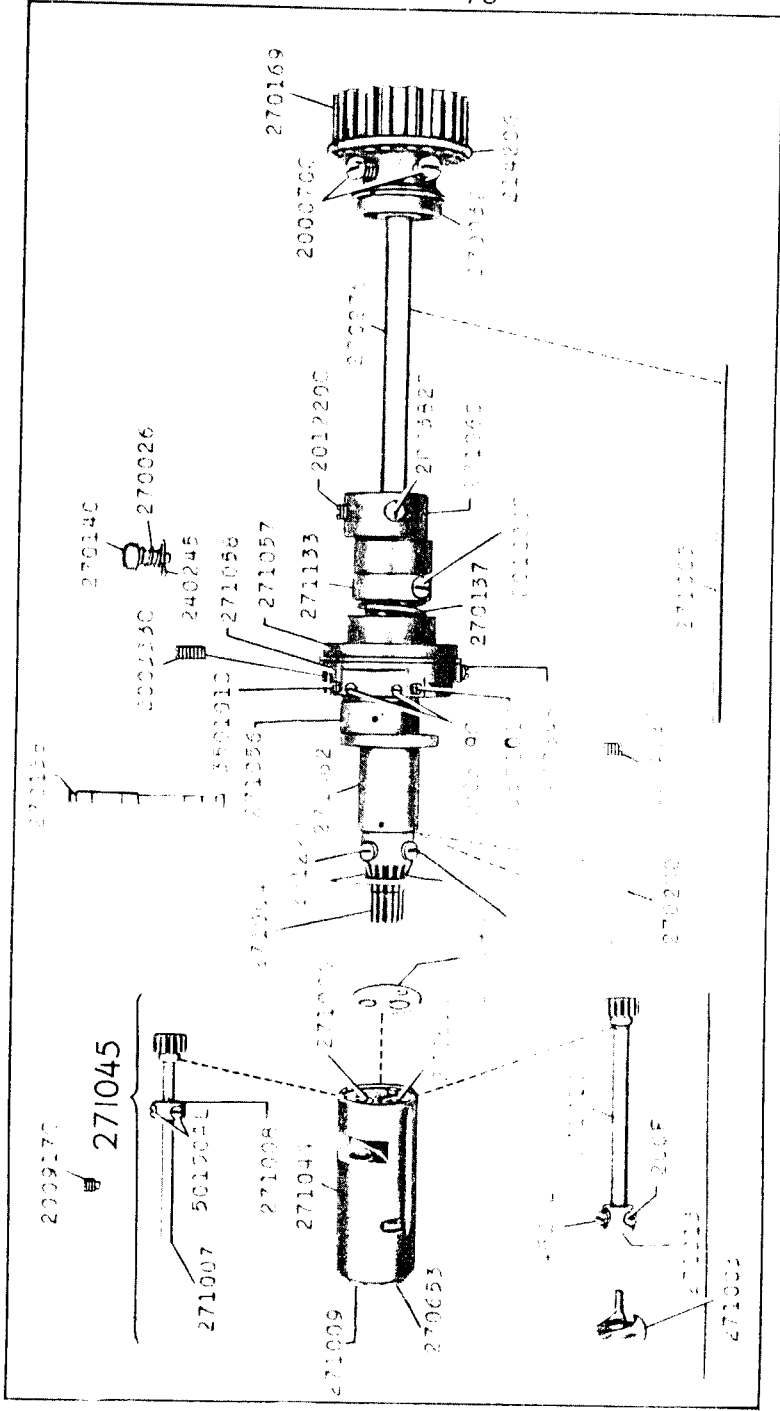
18461 - 3/8



18462 - 1/2



18463 - 3/8



18464

