

Form 19395  
(240)  
Printed in U. S. A.

# LIST OF PARTS



MACHINES  
Nos. 147-25 and 147-39

---

THE SINGER MANUFACTURING COMPANY

## INSTRUCTIONS FOR OILING

Before starting the machine, fill all oil reservoirs and apply oil to the connecting rod and all parts which are in movable contact and all oil holes. When the machine is in continuous use, it should be thoroughly oiled at least twice each day.

Use only Singer "OIL FOR HIGH SPEED SEWING MACHINES (Cloth and Leather)" for general use, or "STAINLESS OIL FOR HIGH SPEED SEWING MACHINES" where a stainless oil is desired.

Copyright, U. S. A., 1930 and 1940  
by The Singer Manufacturing Co.  
All Rights Reserved for all Countries

## INDEX

	Page
Accessories.....	15
Belt Guard.....	18
Bench Stand No. 79611.....	18
Fittings for Straight or Tunnel Belt Loops.....	19
Folders.....	20
Foot Lifter Parts.....	22
Knee Lifter Parts.....	22
Machine Base.....	23
Machine Base Oil Drain Jar.....	23
Machine No. 147-25.....	5
Machine No. 147-39.....	16
Numerical List of Parts.....	25
Stiletto.....	23
Thread Unwinder.....	24

INSTRUCTIONS FOR ORDERING

In ordering from this list, use ONLY the part NUMBER in the FIRST column.

The number stamped on a Sewing Machine Part is in every case the number of the single part only.

Every combination of parts sent out as such has its specific number, which, although not stamped on the parts, must be used when ordering the combination.

Each number always indicates the SAME PART in whatever list it appears, or for whatever machine.

The letters after some of the numbers indicate the style of finish only, as follows:

- A-Hardened, Polished, Nickel Plated and Buffed
- A.A-Buffered and Chromium Plated
- A.B-Hardened, Polished, Buffed and Chromium Plated
- A.C-Brown Baking Enamel Finish
- A.D-Gray Baking Enamel Finish
- A.E-Hardened, Bright Rumbled and Nickel Plated
- A.F-Hardened, Bright Rumbled, Nickel Plated, Bright Rumbled and Chromium Plated
- B-Polished, Nickel Plated and Buffed
- C-Hardened Only
- C.R-Hardened and Merlized
- D-Polished Only
- E-Soft, Not Polished
- F-Hardened and Polished
- F.J-Hardened, Polished and Nickel Plated
- G-Bright Rumbled and Nickel Plated
- H-Blued
- J-Nickel Plated Only
- K-Hardened and Nickel Plated
- L-Brass Plated
- M-Oxidized
- N-Japanned, Dull
- P-Japanned, Bright
- P.P-Wrinkle Finish
- R-Merlized
- S-Cadmium Plated
- T-Copper Plated
- T.A-Hardened, Polished, Copper and Nickel Plated and Buffed
- T.B-Copper and Nickel Plated and Polished
- T.J-Copper and Nickel Plated Only
- T.K-Hardened, Copper and Nickel Plated
- T.L-Copper and Brass Plated
- T.M-Copper Plated and Oxidized
- U-Zinc Plated
- V-Silver Plated
- W-Polished and Nickel Plated
- X-Black Oxide, for Iron and Steel
- X.C-Hardened and Black Oxide, for Iron or Steel
- Y-Black Nickel Plated Only
- Z-Chromium Plated
- Z.A-Hardened, Polished, Nickel Plated, Buffed and Chromium Plated
- Z.B-Polished, Nickel Plated, Buffed and Chromium Plated
- Z.C-Hardened and Chromium Plated
- Z.D-Polished and Chromium Plated
- Z.G-Bright Rumbled, Nickel Plated, Bright Rumbled and Chromium Plated
- Z.J-Nickel and Chromium Plated
- Z.T-Copper and Chromium Plated

These letters MUST BE USED when they appear in the list; and AFTER the number as in the list.

In this series:

- 1 to 1500, 50001 to 51500 and 140001 to 142000 are Screw Numbers
- 1501 to 1800 and 51501 to 51800 are Nut Numbers
- 1801 to 2000 and 51801 to 52000 are Roller Numbers
- 2001 to 50000 and 52001 to 140000 and 142001 to 190000 are Sewing Machine Parts, 190001 and upward are numbers of Electrical Parts.

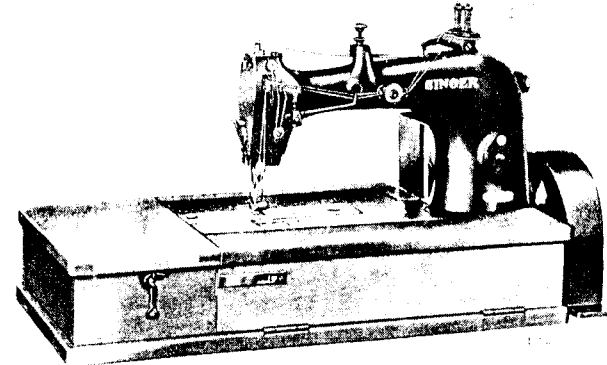
The figures in the second column refer only to the plates, illustrating the parts, and are NOT TO BE USED in ordering.

Parts marked with an asterisk (\*) are furnished only when repairs are made at factory..

When ordering parts which differ as to Gauge (the distance between seams) the Gauge, as well as the Number must be given on order.

LIST OF PARTS COMPLETE

FOR



MACHINE No. 147-25

For Covering Seams, Necking and Ornamenting Knit Underwear. Two needles, one looper. Gauges 1/8 inch, 3/16 inch and 1/4 inch. Speed up to 3200 R. P. M. according to the material being stitched.

No.	Plate	Name
*131128	-----	Arm, upper and lower (solid) with 948J, 15404 and two 15405.....
42366	20641	Arm Oil Pad (braided cotton) for oiling Arm Rock Shaft Front Bearing.....
56006	20641	Arm Oil Pad (braided cotton) for oiling Arm Rock Shaft Intermediate Bearing.
56003	20641	Arm Oil Tube with 52045, for oiling Needle Bar Connecting Link.....
11119	20641	Arm Oil Tube with 52045, for oiling Thread (upper) Nipper.....
52045	20641	Arm Oil Tube Packing (wick).....
68118	20641	" Rock Shaft.....
68119	-----	" " " 68118 with 54004 and 64255
64386	20641	" " " Bushing (back).....
446C	20641	" " " " " Set Screw..
64388	20641	" " " " " (intermediate)....
423C	20641	" " " " " Set Screw.....

No.	Plate	Name
52045	20641	Arm Rock Shaft Bushing Oil Pad (wick)...
54004	20641	" " " Collar with two 453C.....
453C	20641	" " " " Set Screw.....
131072	20642	" " " Crank, back (ball bearing, solid) with two 50083C.....
50083C	20642	Arm Rock Shaft Crank,back (ball bearing, solid) Set Screw.....
64255	20641	Arm Rock Shaft Crank (front) with 453C..
2117	20641	" " " " " Pin.....
453C	20641	" " " " " Set Screw..
54105	20641	" " " Flanged Bushing (front)..
52045	20641	" " " " " Oil Pad (wick).....
453C	20641	Arm Rock Shaft Flanged Bushing (front) Set Screw.....
54254	20642	Arm Rotary Shaft.....
54347	-----	" " " 54254 with 54113,54450, 64351, 64355 and 131346.....
948J	20642	Arm Rotary Shaft Bracket Screw.....
54080	20642	" " " Bushing (front).....
40326	20642	" " " " " Oil Pad (braided cotton).....
761E	20642	Arm Rotary Shaft Bushing (front) Set Screw.....
54081	20642	Arm Rotary Shaft Bushing (intermediate, left).....
52045	20642	Arm Rotary Shaft Bushing (intermediate, left) Oil Pad, long (braided cotton)
761E	20642	Arm Rotary Shaft Bushing (intermediate, left) Set Screw.....
54007	20642	Arm Rotary Shaft Bushing (intermediate, right).....
54089	-----	Arm Rotary Shaft Bushing (intermediate, right) 54007 with 64508 and 64805...
64508	20642	Arm Rotary Shaft Bushing (intermediate, right) Oil Pad, long (braided cotton).....
64805	20642	Arm Rotary Shaft Bushing (intermediate, right) Oil Pad, short (braided cotton).....
422C	20642	Arm Rotary Shaft Bushing (intermediate) Set Screw (long).....
50084C	20642	Arm Rotary Shaft Bushing (intermediate) Set Screw (short).....
54450	20642	Arm Rotary Shaft Collar with two 1258C..
1258C	20642	" " " " Set Screw.....
54009	20642	" " " Flanged Bushing.....
54090	-----	" " " " " 54009 with 58039 and 64805.....
58039	20642	Arm Rotary Shaft Flanged Bushing Oil Pad, long (braided cotton).....

No.	Plate	Name
64805	20642	Arm Rotary Shaft Flanged Bushing Oil Pad, short (braided cotton).....
159F	20642	Arm Rotary Shaft Flanged Bushing Screw..
49013	20642	" " " Front Bearing Oil Pad (braided cotton).....
144D	20642	Arm Rotary Shaft Screw.....
54256	20644	" Side Cover (back).....
46111	20644	" " " " Position Pin.....
51224W	20644	" " " " Thumb Screw.....
54010	20644	" " " (front).....
51224W	20644	" " " " Thumb Screw.....
64259	20642	Balance Wheel, 2 in. diam. pulley, with two 51283C.....
51283C	20642	Balance Wheel Set Screw.....
54257	20643	Cloth Plate.....
1011F	20643	" " Screw (left).....
50473F	20643	" " " (right).....
54012	20643	" " Slide (left).....
54013	20643	Cloth Plate Slide (left) complete, Nos. 38419, 54012 and two 725J.....
38419	20643	Cloth Plate Slide (left) Spring.....
725J	20643	" " " " " Screw... (right) for 54015.....
54014	20649	" " " " " 54056.....
54055	20649	" " " " " 68167.....
68166	20651	" " " " " 131058.....
131057	20650	
54015	20649	Cloth Plate Slide (right) complete for Throat Plate 46162, for 1/8 in., 9/64 in. and 3/16 in. gauges, for 54350, Nos. 38419, 54014 and two 725J.....
54056	20649	Cloth Plate Slide (right) complete for Throat Plate 46162, for 1/4 in.gauge, for 131742, Nos. 38419,54055 and two 725J.....
68167	20651	Cloth Plate Slide (right) complete for Throat Plates 54426 and 131248, for 1/8 in., 3/16 in. and 1/4 in.gauges, for 54258, Nos. 38419,68166 and two 725J.....
131058	20650	Cloth Plate Slide (right) complete for Throat Plate 131588, for 1/4 in. gauge, for 131743, Nos. 38419,131057 and two 725J.....
38419	20649	Cloth Plate Slide (right) Spring.....
725J	20649	" " " " " Screw..
54350	-----	Cloth Plate complete for Throat Plate 46162, for 1/8 in., 9/64 in. and 3/16 in. gauges, Nos. 1460H, 54013, 54015, 54257 and 54261.....
131742	-----	Cloth Plate complete for Throat Plate 46162, for 1/4 in. gauge, Nos.1460H, 54013,54056,54257 and 54261.....

No.	Plate	Name
54258	-----	Cloth Plate complete for Throat Plates 54426 and 131248, for 1/8 in., 3/16 in. and 1/4 in. gauges, Nos. 1460H, 54013, 54257, 54261 and 68167.....
131743	-----	Cloth Plate complete for Throat Plate 131588, for 1/4 in. gauge, Nos. 1460H, 54013, 54257, 54261 and 131058.....
54104	20643	Cloth Plate Thread Guard.....
1235D	20643	" " " " Screw.....
54259	20642	Crank Connecting Rod with 6575, 54218, 68350 and two each 896E and 1057E...
131346	-----	Crank Connecting Rod 54259 with 131072..
896E	20642	" " " Cap (lower) Screw..
1057E	20642	" " " " (upper) Screw..
68350	20642	" " " Oil Cup.....
54218	20642	" " " Pad (braided cotton).....
6575	20642	Crank Connecting Rod Oil Pad Stop Pin...
64269	20644	Face Plate.....
46111	20644	" " Pin.....
51224W	20644	" " Thumb Screw.....
54019	20645	Feed Bar with 50429C and two 453C.....
54020	20642	" " Connection.....
57225	20645	" " Hinge Pin.....
453C	20645	" " " " Set Screw.....
54111	20642	" Connecting Rod with 1057E and two 896E.....
54113	-----	Feed Connecting Rod 54111 with 54025....
896F	20642	" " " Cap Screw.....
1057E	20642	" " " Clamping Screw.....
54023	20645	" " " Hinge Pin.....
21506	20645	" " " " Collar with 457C.....
457C	20645	Feed Connecting Rod Hinge Pin Collar Set Screw.....
131311	20649	Feed Dog, 21 teeth (16 teeth to the inch) for 1/8 in. to 1/4 in. gauges, for 46162.....
131585	20650	Feed Dog, 17 teeth (12 teeth to the inch) for 1/4 in. gauge, for 131588, for medium heavy and heavy weight ma- terial.....
54422	20651	Feed Dog, 18 teeth (16 teeth to the inch) for 1/8 in., 3/16 in. and 1/4 in. gauges, for 54426.....
157J	20649	Feed Dog Screw.....
50429C	20645	" " Stop Screw.....
51061C	20642	" Eccentric Body Set Screw.....
7071	20642	" " Clamping Washer.....
217J	20642	" " " " Screw....

No.	Plate	Name
54025	20642	Feed Eccentric (adjustable) complete, Nos. 1103C and two each 217J, 7071 and 51061C.....
54260	20642	Feed Lifting Eccentric with two 1259C...
1259C	20642	" " " Set Screw.....
1103C	20642	" Regulating Screw.....
54026	20645	" Rocking Frame with two 453C.....
57234	20645	" " " Hinge Pin.....
57235	20645	" " " " Bushing....
453C	20645	" " " " " Set Screw.....
453C	20645	Feed Rocking Frame Hinge Pin Set Screw..
54261	20643	Folder Holder Seat Cover.....
1460H	20643	" " " " Screw.....
25618	20644	Guide.....
51224W	20644	" Thumb Screw.....
54377	20649	Looper with 590D and 38393.....
54378	20649	" 54377 with 229D and 46204.....
54262	20645	" Avoiding Eccentric with two 1258C
54263	20645	" " " Connection....
1258C	20645	" " " Set Screw....
54264	20645	" Bell Crank with 1036C.....
54349	-----	" " " 54264 with 42078.....
42074	20645	" " " Ball Stud.....
1036C	20645	" " " " Set Screw...
42075	20645	" " " Connection with four 896C.....
896C	20645	Looper Bell Crank Connection Cap (lower) Screw.....
896C	20645	Looper Bell Crank Connection Cap (upper) Screw.....
68288	20643	Looper Bell Crank Connection Cover.....
190J	20643	" " " " " Screw
42077	20645	" " " " Guide.....
171E	20645	" " " " " Screw
42078	20645	" " " Hinge Pin.....
42079	20645	" " " " " Bushing....
453C	20645	" " " " " Set Screw.....
453C	20645	Looper Bell Crank Hinge Pin Set Screw...
54265	20645	" Carrier with two 171D.....
171D	20645	" " Adjusting Screw.....
54266	20645	" " Connection with two 175E.
54343	-----	" " " 54266 with 54263
54344	-----	" " " 54343 with 54265 and 54268.....
175E	20645	Looper Carrier Connection Cap Screw....
54268	20645	" " " Shaft.....
54269	20645	" " " " Bushing
446C	20645	" " " " " Set Screw.....

No.	Plate	Name
49013	20645	Looper Carrier Connection Shaft Oil Pad (braided cotton).....
54270	20645	Looper Carrier Pitman with four 187E....
54334	-----	" " " 54270 with 679C and 50016C.....
679C	20645	Looper Carrier Pitman Ball Screw Stud (left).....
1520J	20645	Looper Carrier Pitman Ball Screw Stud (left) Nut.....
50016C	20645	Looper Carrier Pitman Ball Screw Stud (right).....
1519J	20645	Looper Carrier Pitman Ball Screw Stud (right) Nut.....
187E	20645	Looper Carrier Pitman Cap (left) Screw..
187E	20645	" " " " (right) Screw.
54273	20645	" Driving Crank with 1036C and 1259C
54348	-----	" " " 54273 with 42074 and 42075.....
1259C	20645	Looper Driving Crank Position Screw....
1036C	20645	" " " Set Screw.....
54035	20645	" Holder with 1120C.....
704J	20645	" " Screw.....
46204	20649	" Needle Guard with 46105.....
46105	20649	" " " Pin.....
229D	20649	" " " Screw.....
1120C	20645	" Set Screw.....
38393	20649	" Thread Guard.....
590D	20649	" " " Screw.....
64319	20646	Needle Bar (hollow).....
54274	20646	Needle Bar complete, Nos. 46152 and 64319.....
38456	20646	Needle Bar Bushing (lower).....
1133E	20646	" " " " Set Screw....
64320	20646	" " " (upper).....
1133E	20646	" " " " Set Screw....
54326	20646	" " Connecting Link.....
54329	-----	" " " " 54326 with 54327 and 54328.....
54327	20646	Needle Bar Connecting Link Hinge Stud...
1520E	20646	" " " " " Nut
54328	20646	" " " Stud with 211F and two 187E.....
187E	20646	Needle Bar Connecting Stud Clamping Screw.....
46152	20646	Needle Clamp with two 1498F.....
131269	20649	" Guard for 1/8 in. to 1/4 in. gauges
54038	20649	" " Holder.....
176J	20649	" " " Screw.....
217F	20649	" " Screw.....
1498F	20646	" Set Screw.....

No.	Plate	Name
54275	20643	Oil Cup with 49092.....
49092	20643	" " Oil Pad (felt).....
207D	20643	" " Screw.....
54108	20644	" Tube.....
54109	20644	" " Bracket.....
49092	20644	" " Packing (felt).....
54110	20644	Oil Tube complete, for oiling Crank Connecting Rod (upper bearing) Nos. 49092, 54108 and 54109.....
64330	20646	Presser Bar with 25303.....
25303	20646	" " Ball, size 1/4 in.....
64331	20646	" " Bushing (lower).....
1133E	20646	" " " " Set Screw...
38456	20646	" " " (upper).....
1133E	20646	" " " " Set Screw...
54039	20646	" " Guide Bracket with 453C, 640J and 1963.....
640J	20646	Presser Bar Guide Bracket Adjusting Screw.....
11173	20646	Presser Bar Guide Bracket Guide.....
447C	20646	" " " " " Set Screw
1963	20646	" " " " Roller and Stud
453C	20646	" " " " Set Screw.....
57257	20646	" " Lifter.....
57258	20646	" " " Hinge Pin.....
447C	20646	" " " " " Set Screw..
1872	20646	" " " Roller and Stud.....
1250C	20646	" " " Stop Screw.....
61047	20646	" " Lifting Bracket with 460C and 1872.....
68208	20644	Presser Bar Lifting Lever.....
61075	20644	" " " " Connecting Stud
460C	20646	" " " " " " " Set Screw.....
68184	20644	Presser Bar Lifting Lever Extension....
161J	20644	" " " " " Screw
802D	20644	" " " " Hinge Screw...
38467	20644	" " Spring (flat).....
38468	20644	" " " Stud.....
26276	20649	" Foot Hinge Pin.....
54353	20649	" " Plate.....
36030	20649	" " Shank.....
54354	20649	Presser Foot (hinged) complete for 1/8 in., 3/16 in. and 1/4 in. gauges, Nos. 26276, 36030 and 54353.....
54723	20650	Presser Foot Hinge Block.....
26276	20650	" " " " Hinge Pin.....
54423	20650	" " Plate.....
54424	20650	" " Shank.....
1080F	20650	" " " Hinge Screw.....

No.	Plate	Name
54425	20650	Presser Foot (double hinged) complete for 1/8 in., 3/16 in. and 1/4 in. gauges, Nos. 26276,54423,54424,54723 and two 1080F.....
190J	20649	Presser Foot Screw.....
574W	20644	Pressure Regulating Thumb Screw.....
1539W	20644	" " " " Lock Nut
64336	20648	Slack Thread Controller.....
46035	20648	" " " Clamp.....
190J	20648	" " " Screw.....
54276	20648	" " Regulator.....
54042	20648	" " " Holder with 175E and 50150C.....
175E	20648	Slack Thread Regulator Holder Clamping Screw.....
54043	20648	Slack Thread Regulator Holder Shaft.....
24292	20648	" " " " Collar with 1019C.....
1019C	20648	Slack Thread Regulator Holder Shaft Collar Set Screw.....
54044	20648	Slack Thread Regulator Holder Shaft Crank (forked) with 1253C.....
1253C	20648	Slack Thread Regulator Holder Shaft Crank Set Screw.....
50150C	20648	Slack Thread Regulator Set Screw.....
2102	20647	Tension (under thread) Disc.....
54277	20647	" " " Pull-off.....
54278	20647	" " " Eyelet (adjustable).....
50473F	20647	Tension (under thread) Pull-off Eyelet Screw.....
203D	20647	Tension (under thread) Pull-off Screw...
51570C	20647	" " " Regulating Thumb Nut.....
50326C	20647	Tension (under thread) Screw Stud.....
59539	-----	" " " " 50326C with 51570C.....
131740	20647	Tension (under thread) Spring.....
59537	20647	" " " Bushing (large).....
59538	20647	Tension (under thread) Spring Bushing (small).....
54279	20647	Tension (under thread) Thread Guide (double).....
54070	20648	Tension (upper thread) Bracket.....
376J	20648	" " " Screw....
2102	20648	" " " Disc.....
51570C	20648	" " " Regulating Thumb Nut.....
32572	20648	Tension (upper thread) Releasing Disc...

No.	Plate	Name
54988	20648	Tension (upper thread) Releasing Pin....
54071	20648	" " " " Shaft..
54047	20648	" " " " "
		Crank with 624C.....
54048	20648	Tension (upper thread) Releasing Shaft Crank Link.....
624C	20648	Tension (upper thread) Releasing Shaft Crank Set Screw.....
68261	20648	Tension (upper thread) Releasing Shaft Spring.....
316F	20648	Tension (upper thread) Releasing Shaft Stop Screw.....
1547J	20648	Tension (upper thread) Releasing Shaft Stop Screw Nut.....
50326C	20648	Tension (upper thread) Screw Stud.....
59539	-----	" " " " 50326C with 51570C.....
131741	20648	Tension (upper thread) Spring.....
59537	20648	" " " Bushing (large).....
59538	20648	Tension (upper thread) Spring Bushing (small).....
131696	20648	Tension (upper thread) Thread Guide....
53225	20647	Thread (under) Eyelet (back).....
190J	20647	" " " " Screw.....
38284	20647	" " " (front).....
64351	20642	" " Nipper Cam with 465C....
465C	20642	" " " Set Screw....
38210	20647	" " " Spring (lower)....
38211	20647	" " " (upper)....
46247	20647	" " " Stop Screw.....
176J	20647	" " " " "
54280	20642	" " Take-up with two 465C....
465C	20642	" " " Set Screw.....
38478	20647	" " " Staple with two each 590J and 38481.....
54049	20647	Thread (under) Take-up Staple Bracket with 460C.....
965D	20647	Thread (under) Take-up Staple Bracket Screw.....
46041	20647	Thread (under) Take-up Staple Spring....
190J	20647	" " " " "
		Screw.....
38481	20647	Thread (under) Take-up Staple Thread Guard.....
590J	20647	Thread (under) Take-up Staple Thread Guard Screw.....
54281	20647	Thread (under) Take-up Stripper.....
207J	20647	" " " " Screw...
64355	20642	" " " Thread Guard.....

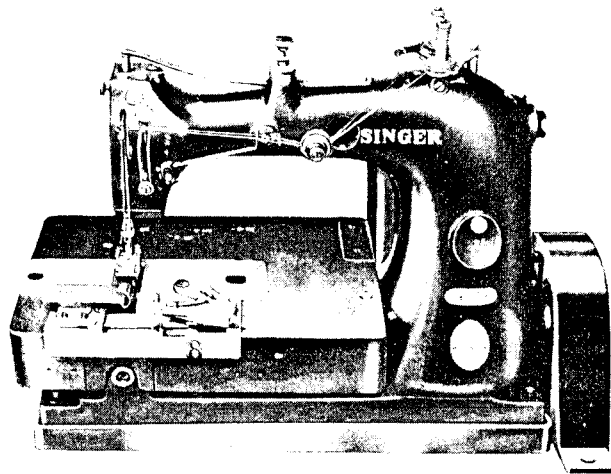
No.	Plate	Name
64356	20647	Thread (under) Take-up Thread Guard Steady Pin.....
460C	20647	Thread (under) Take-up Thread Guard Steady Pin Set Screw.....
54331	20648	Thread (upper) Controller.....
207J	20648	" " " Screw.....
54282	20648	" " " Wire.....
54242	20648	" " " " Clamp....
190J	20648	" " " " " " Screw.....
68129	20648	Thread (upper) Nipper Body.....
1149C	20648	" " " " Set Screw....
68130	20648	" " " Disc (inside)....
68131	20648	" " " " Washer (fibre).....
68132	20648	Thread (upper) Nipper Disc (outside)....
1698R	20648	" " " " " Nut
59456	20648	" " " " " Washer.....
68133	20648	Thread (upper) Nipper Roller.....
68134	20648	" " " " Hinge Pin..
68135	20648	" " " Stud.....
68136	-----	" " " " 68135 with 68133 and 68134.....
13218	20648	Thread (upper) Nipper Stud Spring.....
68137	-----	Thread (upper) Nipper complete, Nos. 1698R,13218,59456,68129 to 68132 and 68136.....
68138	20648	Thread (upper) Nipper Thread Guide.....
207J	20648	" " " " " Screw
131334	20648	" " Take-up.....
54095	20648	" " " Plate.....
68164	20648	" " " " Spring.....
1449J	20648	" " " " " Screw
131335	-----	Thread (upper) Take-up complete, Nos. 1449J, 54095, 68164 and 131334.....
211F	20646	Thread (upper) Take-up Set Screw.....
46162	20649	Throat Plate for 1/8 in. to 1/4 in. gauges, for 54015,54056,54350,131311 and 131742.....
131246	20651	Throat Plate Body for 54426 and 131248..
54426	20651	Throat Plate complete for 1/8 in., 3/16 in. and 1/4 in. gauges, for 54258, 54422 and 68167, Nos. 54427, 54428, 131246 and two 229D.....
131586	20650	Throat Plate Body.....
54427	20650	" " Seam Guide (left).....
229D	20651	" " " " " Screw for 54426.....
1100J	20650	Throat Plate Seam Guide (left) Screw for 131588.....

No.	Plate	Name
54428	20651	Throat Plate Seam Guide (right) for 54426.....
131587	20650	Throat Plate Seam Guide (right) for 131588.....
229D	20651	Throat Plate Seam Guide (right) Screw for 54426.....
1100J	20650	Throat Plate Seam Guide (right) Screw for 131588.....
131586	20650	Throat Plate complete, for 1/4 in. gauge, for 131058,131585 and 131743, for medium heavy and heavy weight material, Nos. 54427, 131586, 131587 and two 1100J.....
131247	20651	Throat Plate Filling-in Piece.....
229D	20651	" " " " " Screw.....
131248	20651	Throat Plate complete for 1/8 in., 3/16 in. and 1/4 in. gauges, for 54258, 54422 and 68167, Nos. 131246, 131247 and two 229D.....
742F	20649	Throat Plate Screw.....
*15404	-----	Trade Mark.....
15405	-----	" " Rivet.....

Genuine Singer Needles should be used  
in Singer Machines.  
These Needles and their Containers  
are marked with the  
Company's Trade Mark "SIMANCO." 1

Needles in Containers marked  
"For Singer Machines"  
are not Singer made needles. 2





### MACHINE No. 147-39

For Making Narrow or Tunnel Belt Loops for Trousers. Two needles, one looper. Gauges 3/16 inch and 1/4 inch. Speed up to 3200 R. P. M. according to the material being stitched.

NOTE: THIS MACHINE IS THE SAME AS THE 147-25 MACHINE, WITH THE FOLLOWING EXCEPTIONS:

No.	Plate	Name
131744	20652	Cloth Plate Slide (right) for 131745....
131745	20652	Cloth Plate Slide (right) complete for Throat Plate 121140, for 3/16 in. and 1/4 in. gauges, for 131746, Nos. 38419, 131744 and two 725J.....
38419	20652	Cloth Plate Slide (right) Spring.....
725J	20652	" " " " " Screw..
131746	-----	Cloth Plate complete for Throat Plate 121140, for 3/16 in. and 1/4 in. gauges, Nos. 1460H, 54013, 54257, 120463 and 131745.....
120733	20652	Feed Dog, 20 teeth (16 teeth to the inch) for 3/16 in. and 1/4 in. gauges, for 121140.....
26276	20652	Presser Foot Hinge Pin.....
121132	20652	" " Plate.....
121133	20652	" " Shank.....
121134	20652	Presser Foot (hinged) complete for 3/16 in. gauge, for narrow belt loops, Nos. 26276, 121132 and 121133.....

No.	Plate	Name
26276	20652	Presser Foot Hinge Pin.....
121135	20652	" " Plate.....
121192	20652	" " Shank.....
121136	20652	Presser Foot (hinged) complete for 1/4 in. gauge, for narrow belt loops, Nos. 26276, 121135 and 121192.....
120719	20652	Strip Folder on Slide (short).....
120463	20652	" " Holder with 8505 and 18116.
1460H	20652	" " " Screw.....
18116	20652	" " " Spring.....
8505	20652	" " " " Rivet.....
121139	20652	Throat Plate Body.....
121137	20652	" " Belt Loop Guide (left)....
233J	20652	" " " " " " Screw
121138	20652	" " " " " (right)....
233J	20652	" " " " " " Screw
121140	20652	Throat Plate complete for 3/16 in. and 1/4 in. gauges, for 120733, 131745 and 131746, Nos. 121137 to 121139 and four 233J.....

**Genuine Singer Needles should be used in Singer Machines. These Needles and their Containers are marked with the Company's Trade Mark "SIMANCO." 1**

**Needles in Containers marked "For Singer Machines" are not Singer made needles. 2**

## ACCESSORIES

No.	Plate	Name
120344	20656	Oiler (copper plated) with 120345.....
120345	20656	" Spout, 4 1/2 in. long.....
120440	20656	Screw Driver (large).....
121108	20656	" " (small).....
38487	20656	Threading Wire.....
120341	20656	Tweezers (curved).....
8908	20656	Wrench for 1520.....
4822	20656	" " 1547.....

## BELT GUARD

No.	Plate	Name
68222	20633	Belt Guard with two wood screws 1 in. No. 12 F.H.....

## BENCH STAND No. 79611

FOR NO. 147-25 MACHINE

No.	Plate	Name
79611	-----	Bench Stand with 27998, two each 41538, 126849, three wood screws 1 1/4 in. No. 12, four each 60656, wood screws 1 1/4 in. No. 10, eight wood screws 5/8 in. No. 6 and sixteen wood screws 5/8 in. No. 7.....
126849	20656	Flap Hinge with four wood screws 3/4 in. No. 7.....
27998	20656	Flap Hook and Eye (brass) with wood screw 1/2 in. No. 5.....
126247	20656	Flush Bolt.....
126248	20656	" " Plate.....
41538	-----	Flush Bolt with Plate complete, Nos. 126247, 126248 and four brass wood screws 5/8 in. No. 4 F.H.....
60656	20656	Hinge.....

FITTINGS FOR STRAIGHT OR  
TUNNEL BELT LOOPS

FOR NO. 147-39 MACHINE

No.	Plate	Name
120710	20653	Edge Folder on Bracket.....
1443J	20653	" " Screw.....
120714	20653	Folder Plate.....
120711	20653	" Slide.....
120712	20653	" " Guide.....
120713	20653	" " " Lock Spring.....
857D	20653	" " " " Screw....
50253D	20653	" " " Screw.....
120715	20653	Strip Folder on Bracket.....
5944	20653	" " Position Pin.....
120716	20653	" " " Plate with 5944...
1443J	20653	" " " " Screw.....
335J	20653	" " Screw.....
120717	20653	" " Shank.....
1425J	20653	" " " Hinge Screw.....
646D	20653	" " Stop Screw.....
120718	20653	Attachment (convertible) complete, Nos. 646D,1425J,120710,120711,120713 to 120717,two each 335J,857D,120712 and four each 1443J and 50253D.....
54055	20653	Cloth Plate Slide (right).....
54056	20653	Cloth Plate Slide (right) complete for Throat Plate 120734, for 3/16 in. and 1/4 in. gauges, Nos. 38419,54055 and two 725J.....
120733	20653	Feed Dog,20 teeth (16 teeth to the inch) for 3/16 in. and 1/4 in. gauges, for 120734.....
120720	20653	Presser Foot Guide (left) with 120736...
120736	20653	" " " " Guide Pin for 120720.....
120721	20653	Presser Foot Guide (left) Lifting Lever.
111D	20653	" " " " " "
		Hinge Screw.....
120722	20653	Presser Foot Guide (left) Lifting Lever Latch.....
120723	20653	Presser Foot Guide (left) Lifting Lever Latch Spring.....
337J	20653	Presser Foot Guide (left) Lifting Lever Latch Spring Screw.....
50424J	20653	Presser Foot Guide (left) Lifting Screw.
120724	20653	" " " (right) with 120736..

No.	Plate	Name
120736	20653	Presser Foot Guide (right) Guide Pin for 120724.....
1264J	20653	Presser Foot Guide (right) Stop Screw...
40268	20653	" " " Spring.....
120725	20653	" " " " Cap.....
337J	20653	" " " " " Screw.....
120726	20653	" " Hinge Stud.....
120727	20653	" " " " Collar with 468C
468C	20653	" " " " " Set Screw
120728	20653	" " Plate.....
120729	20653	" " Shank.....
120730	20653	Presser Foot (hinged) with spring yield- ing guides and device for locking left hand guide complete, for 120718, Nos. 111D, 1264J, 50424J, 120720 to 120729, two 40268 and three 337J....
120734	20653	Throat Plate, for 3/16 in. and 1/4 in. gauges, for 54056, 120718 and 120733

## FOLDERS

### FOLDER

#### FOR BUCKLE STRAPS

#### FOR NO. 147-39 MACHINE

No.	Plate	Name
54055	20654	Cloth Plate Slide (right) for 54056.....
54056	20654	Cloth Plate Slide (right) complete for Throat Plate 36032, for 3/16 in. gauge, Nos. 38419, 54055 and two 725J.
54057	20654	Cloth Plate Slide (right) for 54058.....
54058	20654	Cloth Plate Slide (right) complete for Throat Plate 36032, for 1/4 in. gauge, Nos. 38419, 54057 and two 725J
36440	20654	Folder.....
50004B	20654	" Adjusting Screw.....
35441	20654	" Block.....
50004B	20654	" Screw.....
36443	20654	" Slide.....
36442	20654	" Tongue.....
36444	20654	Folder on Slide complete, Nos. 36440 to 36443 and four 50004B.....
120463	20654	Folder Holder with 8505 and 18116.....
1460H	20654	" " Screw.....
18116	20654	" " Spring.....
8505	20654	" " " Rivet.....
131348	20654	Feed Dog, 27 teeth (16 teeth to the inch) for 3/16 in. and 1/4 in. gauges, for 36032.....

No.	Plate	Name
26276	20654	Presser Foot Hinge Pin.....
36445	20654	" " Plate.....
36030	20654	" " Shank.....
36446	20654	Presser Foot (hinged) complete, Nos. 26276, 36030 and 36445.....
36032	20654	Throat Plate for 3/16 in. and 1/4 in. gauges, for 54056, 54058 and 131348.

## FOLDER

### FOR BELT LOOPS

#### FOR NO. 147-39 MACHINE

No.	Plate	Name
54055	20655	Cloth Plate Slide (right) for 54056.....
54056	20655	Cloth Plate Slide (right) complete for Throat Plate 36032, for 3/16 in. gauge, Nos. 38419, 54055 and two 725J
54057	20655	Cloth Plate Slide (right) for 54058.....
54058	20655	Cloth Plate Slide (right) complete for Throat Plate 36032, for 1/4 in. gauge, Nos. 38419, 54057 and two 725J
36326	20655	Folder.....
218B	20655	" Adjusting Screw.....
36327	20655	" Block.....
50004B	20655	" Screw.....
36330	20655	" Slide.....
36328	20655	" Tongue with 36567.....
36567	20655	" " Tip.....
36027	20655	Folder on Slide complete, for belt loops, Nos. 36326 to 36328, 36330 and two each 218B and 50004B.....
120463	20655	Folder Holder with 8505 and 18116.....
1460H	20655	" " Screw.....
18116	20655	" " Spring.....
8505	20655	" " " Rivet.....
131348	20655	Feed Dog, 27 teeth (16 teeth to the inch) for 3/16 in. and 1/4 in. gauges, for 36032.....
26276	20655	Presser Foot Hinge Pin.....
36029	20655	" " Plate.....
36030	20655	" " Shank.....
36031	20655	Presser Foot (hinged) complete, Nos. 26276, 36029 and 36030.....
36032	20655	Throat Plate for 3/16 in. and 1/4 in. gauges, for 54056, 54058 and 131348.

## FOOT LIFTER PARTS

No.	Plate	Name
6439	-----	Chain, 36 in. to 45 in. with 56864 and 56865.....
Note: When ordering No. 6439, state length required.		
4879	20633	Chain Connecting Link.....
56864	20656	" Hook (large).....
56865	20656	" " (small).....
126249	20633	Treadle.....
4882	20633	" Shaft.....
126250	20633	" Spring.....
150451	20633	" Stand.....
150452	20633	Treadle complete, Nos. 4879,4882,126249, 126250,150451 and two wood screws 1 in. No. 16 F.H.....

## KNEE LIFTER PARTS

No.	Plate	Name
37563	-----	Chain, length 15 in. with 56864 and 56865.....
56864	20656	Chain Hook (large).....
56865	20656	" " (small).....
2763	20633	Rock Shaft.....
12242	20633	" " Hanger with two wood screws 1 in. No. 10.....
6335	20633	Rock Shaft Knee Arm.....
6336	-----	Rock Shaft Knee Arm complete, Nos. 2766, 2767 and 6335.....
2766	20633	Rock Shaft Knee Arm Hub with 356C.....
356C	20633	" " " " " Set Screw.....
2767	20633	" " " " " Plate with 356C.....
356C	20633	" " " " " Set Screw.....
6337	20633	" " Lifting Bracket with two 356C.....
7125	20633	" " " " " Hook.....
356C	20633	" " " " " Set Screw.....
356C	20633	" " " " " Set Screw....
2770	20633	" " Stop Dog with 140219C.....
140219C	20633	" " " " " Set Screw.....
23767	20633	Rock Shaft complete, Nos.2763,2770,6336, 6337,7125 and two 12242.....

## MACHINE BASE

No.	Plate	Name
131460	20657	Machine Base.....
131019	20657	" " Oil Pipe.....
131020	20657	" " " " Valve.....
54477	20657	" " Screw Stud.....
51576E	20657	" " " " Nut.....
9842	20657	" " " " " Washer.....
131279	20657	" Cushion (felt).....
948E	20657	" Screw, to fasten machine to base
131461	20657	Machine Base complete, Nos. 131019, 131020, 131460, three each 9842, 51576E, 54477 and four each 948E and 131279.....

## MACHINE BASE OIL DRAIN JAR

(SWINGING TYPE)

No.	Plate	Name
131185	20658	Jar (glass).....
131191	20658	" Cap.....
131188	20658	" Clamp.....
131217	-----	" " 131188 with 131189.....
131189	20658	" " Lever.....
1247C	20658	" " " Hinge Screw.....
131265	20658	Nipple (long).....
131266	20658	" (short).....
131267	20658	" Elbow.....
131268	20658	Machine Base Oil Drain Jar (swinging type) complete, Nos. 131185, 131191, 131217, 131266 and two each 1247C, 131265 and 131267.....
131462	20658	Machine Base with Oil Drain Jar (swinging type) complete, Nos. 131268, 131460, three each 9842,51576E,54477 and four each 948E and 131279.....

## STILETTO

FOR NO. 147-39 MACHINE

No.	Plate	Name
35964	20656	Stiletto (for belt loop work).....

## THREAD UNWINDER

FOR THREE SPOOLS

No.	Plate	Name
225259	20659	Spool Rest (for one spool) with 201018C.
225257	20659	" " (for two spools) with 201018C.
150203	20659	" " Cushion (felt).....
225388	20659	" " Rod.....
200383C	20659	" " " Set Screw.....
201018C	20659	" " Set Screw.....
202490	20659	" Stand with 200383C.....
225391	20659	Thread Guide.....
201696J	20659	" " Lock Nut.....
225326	20659	" " Position Cup.....
225324	20659	" " Rod with 208E and 225322...
208E	20659	" " " Screw.....
225322	20659	" " " Washer.....
259143	20659	Thread Unwinder complete, Nos. 201696J, 202490,225257,225259,225324,225326, 225388, three each 150203,225391 and wood screws 7/8 in. No. 12.....
27739	20659	Thread Cone (wood) for large cones.....
225390	20659	" " Holder, for inverted cones..

Note: Nos. 27739 and 225390 are used with, but not included in 259143.

Genuine Singer Needles should be used  
in Singer Machines.  
These Needles and their Containers  
are marked with the  
Company's Trade Mark "SIMANCO." 1

Needles in Containers marked  
"For Singer Machines"  
are not Singer made needles. 2

## NUMERICAL LIST OF PARTS

## NUMERICAL LIST OF PARTS

No.	Plate	Name
111D	20653	Presser Foot Guide (left) Lifting Lever Hinge Screw for 120730.....
144D	20642	Arm Rotary Shaft Screw.....
157J	20649	Feed Dog Screw.....
159F	20642	Arm Rotary Shaft Flanged Bushing Screw..
161J	20644	Presser Bar Lifting Lever Extension Screw.....
171E	20645	Looper Bell Crank Connection Guide Screw
171D	20645	" Carrier Adjusting Screw for 54265
175E	20645	" " Connection Cap Screw for 54266.....
175E	20648	Slack Thread Regulator Holder Clamping Screw for 54042.....
176J	20649	Needle Guard Holder Screw.....
176J	20647	Thread (under) Nipper Spring Screw.....
187E	20645	Looper Carrier Pitman Cap (left) Screw for 54270.....
187E	20645	Looper Carrier Pitman Cap (right) Screw for 54270.....
187E	20646	Needle Bar Connecting Stud Clamping Screw for 54328.....
190J	20643	Looper Bell Crank Connection Cover Screw
190J	20649	Presser Foot Screw.....
190J	20648	Slack Thread Controller Clamp Screw.....
190J	20647	Thread (under) Eyelet (back) Screw.....
190J	20647	" " Take-up Staple Spring Screw
190J	20648	" (upper) Controller Wire Clamp Screw.....
203D	20647	Tension (under thread) Pull-off Screw...
207D	20643	Oil Cup Screw.....
207J	20647	Thread (under) Take-up Stripper Screw...
207J	20648	" (upper) Controller Screw.....
207J	20648	" " Nipper Thread Guide Screw
208E	20659	" Unwinder Thread Guide Rod Screw for 225324.....
211F	20646	Thread (upper) Take-up Set Screw for 54328.....
217J	20642	Feed Eccentric Clamping Washer Screw for 54025.....
217F	20649	Needle Guard Screw.....
218B	20655	Folder Adjusting Screw for 36027.....
229D	20649	Looper Needle Guard Screw for 54378.....
229D	20651	Throat Plate Filling-in Piece Screw for 131248.....
229D	20651	Throat Plate Seam Guide (left) Screw for 54426 and 131248.....

No.	Plate	Name
229D	20651	Throat Plate Seam Guide (right) Screw for 54426 and 131248.....
233J	20652	Throat Plate Belt Loop Guide (left) Screw for 121140.....
233J	20652	Throat Plate Belt Loop Guide (right) Screw for 121140.....
316F	20648	Tension (upper thread) Releasing Shaft Stop Screw.....
335J	20653	Strip Folder Screw for 120718.....
337J	20653	Presser Foot Guide (left) Lifting Lever Latch Spring Screw for 120730.....
337J	20653	Presser Foot Guide Spring Cap Screw for 120730.....
356C	20633	Rock Shaft Knee Arm Hub Set Screw for 2766.....
356C	20633	Rock Shaft Knee Plate Set Screw for 2767.....
356C	20633	Rock Shaft Lifting Bracket Hook Set Screw for 6337.....
356C	20633	Rock Shaft Lifting Bracket Set Screw for 6337.....
376J	20648	Tension (upper thread) Bracket Screw....
422C	20642	Arm Rotary Shaft Bushing (intermediate) Set Screw (long).....
423C	20641	Arm Rock Shaft Bushing (intermediate) Set Screw.....
446C	20641	Arm Rock Shaft Bushing (back) Set Screw..
446C	20645	Looper Carrier Connection Shaft Bushing Set Screw.....
447C	20646	Presser Bar Guide Bracket Guide Set Screw.....
447C	20646	Presser Bar Lifter Hinge Pin Set Screw..
453C	20641	Arm Rock Shaft Collar Set Screw for 54004.....
453C	20641	Arm Rock Shaft Crank (front) Set Screw for 64255.....
453C	20641	Arm Rock Shaft Flanged Bushing (front) Set Screw.....
453C	20645	Feed Bar Hinge Pin Set Screw for 54019..
453C	20645	Feed Rocking Frame Hinge Pin Bushing Set Screw for 54026.....
453C	20645	Feed Rocking Frame Hinge Pin Set Screw for 54026.....
453C	20645	Looper Bell Crank Hinge Pin Bushing Set Screw.....
453C	20645	Looper Bell Crank Hinge Pin Set Screw...
453C	20646	Presser Bar Guide Bracket Set Screw for 54039.....
457C	20645	Feed Connecting Rod Hinge Pin Collar Set Screw for 21506.....

No.	Plate	Name
460C	20646	Presser Bar Lifting Lever Connecting Stud Set Screw for 61047.....
460C	20647	Thread (under) Take-up Thread Guard Steady Pin Set Screw for 54049.....
465C	20642	Thread (under) Nipper Cam Set Screw for 64351.....
465C	20642	Thread (under) Take-up Set Screw for 54280.....
468C	20653	Presser Foot Hinge Stud Collar Set Screw for 120727.....
574W	20644	Pressure Regulating Thumb Screw.....
590D	20649	Looper Thread Guard Screw for 54377.....
590J	20647	Thread (under) Take-up Staple Thread Guard Screw for 38478.....
624C	20648	Tension (upper thread) Releasing Shaft Crank Set Screw for 54047.....
640J	20646	Presser Bar Guide Bracket Adjusting Screw for 54039.....
646D	20653	Strip Folder Stop Screw for 120718.....
679C	20645	Looper Carrier Pitman Ball Screw Stud (left) for 54334.....
704J	20645	Looper Holder Screw.....
725J	20643	Cloth Plate Slide (left) Spring Screw for 54013.....
725J	20649	Cloth Plate Slide (right) Spring Screw for 54015, 54056, 54058, 68167, 131058 and 131745.....
742F	20649	Throat Plate Screw.....
761E	20642	Arm Rotary Shaft Bushing (front) Set Screw.....
761E	20642	Arm Rotary Shaft Bushing (intermediate, left) Set Screw.....
802D	20644	Presser Bar Lifting Lever Hinge Screw...
857D	20653	Folder Slide Guide Lock Spring Screw for 120718.....
896E	20642	Crank Connecting Rod Cap (lower) Screw for 54259.....
896E	20642	Feed Connecting Rod Cap Screw for 54111..
896C	20645	Looper Bell Crank Connection Cap (lower) Screw for 42075.....
896C	20645	Looper Bell Crank Connection Cap (upper) Screw for 42075.....
948J	20642	Arm Rotary Shaft Bracket Screw for 131128.....
948E	20657	Machine Screw to fasten machine to base for 131461 and 131462.....
965D	20647	Thread (under) Take-up Staple Bracket Screw.....
1011F	20643	Cloth Plate Screw (left).....
1019C	20648	Slack Thread Regulator Holder Shaft Collar Set Screw for 24292.....

No.	Plate	Name
1036C	20645	Looper Bell Crank Ball Stud Set Screw for 54264.....
1036C	20645	Looper Driving Crank Set Screw for 54273
1057E	20642	Crank Connecting Rod Cap (upper) Screw for 54259.....
1057E	20642	Feed Connecting Rod Clamping Screw for 54111.....
1080F	20650	Presser Foot Shank Hinge Screw for 54425
1100J	20650	Throat Plate Seam Guide (left) Screw for 131588.....
1100J	20650	Throat Plate Seam Guide (right) Screw for 131588.....
1103C	20642	Feed Regulating Screw for 54025.....
1120C	20645	Looper Set Screw for 54035.....
1133E	20646	Needle Bar Bushing (lower) Set Screw....
1133E	20646	" " " (upper) Set Screw....
1133E	20646	Presser Bar Bushing (lower) Set Screw....
1133E	20646	" " " (upper) Set Screw....
1149C	20648	Thread (upper) Nipper Body Set Screw....
1235D	20643	Cloth Plate Thread Guard Screw.....
1247C	20658	Machine Base Oil Drain Jar Clamp Lever Hinge Screw for 131268.....
1250C	20646	Presser Bar Lifter Stop Screw.....
1253C	20648	Slack Thread Regulator Holder Shaft Crank Set Screw for 54044.....
1258C	20642	Arm Rotary Shaft Collar Set Screw for 54450.....
1258C	20645	Looper Avoiding Eccentric Set Screw for 54262.....
1259C	20642	Feed Lifting Eccentric Set Screw for 54260.....
1259C	20645	Looper Driving Crank Position Screw for 54273.....
1264J	20653	Presser Foot Guide (right) Stop Screw for 120730.....
1425J	20653	Strip Folder Shank Hinge Screw for 120718.....
1443J	20653	Edge Folder Screw for 120718.....
1443J	20653	Strip Folder Position Plate Screw for 120718.....
1449J	20648	Thread (upper) Take-up Plate Spring Screw for 131335.....
1460H	20643	Folder Holder Seat Cover Screw for 54258, 54350, 131742 and 131743.....
1460H	20652	Strip Folder Holder Screw for 131746....
1498F	20646	Needle Set Screw for 46152.....
1519J	20645	Looper Carrier Pitman Ball Screw Stud (right) Nut.....
1520J	20645	Looper Carrier Pitman Ball Screw Stud (left) Nut.....

No.	Plate	Name
1520E	20646	Needle Bar Connecting Link Hinge Stud Nut.....
1539W	20644	Pressure Regulating Thumb Screw Lock Nut
1547J	20648	Tension (upper thread) Releasing Shaft Stop Screw Nut.....
1698R	20648	Thread (upper) Nipper Disc (outside) Nut for 68137.....
1872	20646	Presser Bar Lifter Roller and Stud for 61047.....
1963	20646	Presser Bar Guide Bracket Roller and Stud for 54039.....
2102	20647	Tension (under thread) Disc.....
2102	20648	" (upper thread) Disc.....
2117	20641	Arm Rock Shaft Crank (front) Pin.....
2763	20633	Rock Shaft for 23767.....
2766	20633	" " Knee Arm Hub with 356C, for 6336.....
2767	20633	Rock Shaft Knee Plate with 356C, for 6336.....
2770	20633	Rock Shaft Stop Dog with 140219C, for 23767.....
4822	20656	Wrench for 1547 (Accessories).....
4879	20633	Foot Lifter Chain Connecting Link for 150452.....
4882	20633	Foot Lifter Treadle Shaft for 150452....
5944	20653	Strip Folder Position Pin for 120716....
6335	20633	Rock Shaft Knee Arm for 6336.....
6336	-----	Rock Shaft Knee Arm complete for 23767, Nos. 2766, 2767 and 6335.....
6337	20633	Rock Shaft Lifting Bracket with two 356C, for 23767.....
6439	-----	Foot Lifter Chain, 36 in. to 45 in. with 56864 and 56865.....
6575	20642	Crank Connecting Rod Oil Pad Stop Pin for 54259.....
7071	20642	Feed Eccentric Clamping Washer for 54025
7125	20633	Rock Shaft Lifting Bracket Hook for 23767.....
8505	20652	Strip Folder Holder Spring Rivet for 120463.....
8908	20656	Wrench for 1520 (Accessories).....
9842	20657	Machine Base Screw Stud Nut Washer for 131461 and 131462.....
11119	20641	Arm Oil Tube with 52045, for oiling Thread (upper) Nipper.....
11173	20646	Presser Bar Guide Bracket Guide.....
12242	20633	Rock Shaft Hanger with two wood screws 1 in. No. 10, for 23767.....
13218	20648	Thread (upper) Nipper Stud Spring for 68137.....



No.	Plate	Name
*15404	-----	Trade Mark for 131128.....
15405	-----	" " Rivet for 131128.....
18116	20652	Strip Folder Holder Spring for 120463...
21506	20645	Feed Connecting Rod Hinge Pin Collar with 457C.....
23767	20633	Rock Shaft complete, Nos.2763,2770,6336, 6337, 7125 and two 12242.....
24292	20648	Slack Thread Regulator Holder Shaft Collar with 1019C.....
25303	20646	Presser Bar Ball, size 1/4 in. for 64330
25618	20644	Guide.....
26276	20649	Presser Foot Hinge Pin for 36031, 36446, 54354, 121134 and 121136.....
26276	20650	Presser Foot Hinge Block Hinge Pin for 54425.....
27739	20659	Thread Unwinder Thread Cone (wood) for large cones for 259143.....
27998	20656	Bench Stand Flap Hook and Eye (brass) with wood screw 1/2 in. No. 5, for 79611.....
32572	20648	Tension (upper thread) Releasing Disc...
35964	20656	Stiletto (for belt loop work) for 147-39 Machine.....
36027	20655	Folder on Slide complete, for belt loops, for 147-39 Machine, Nos. 36326 to 36328, 36330 and two each 218B and 50004B.....
36029	20655	Presser Foot Plate for 36031.....
36030	20649	" " Shank for 36031, 36446 and 54354.....
36031	20655	Presser Foot (hinged) complete for 36027, for 147-39 Machine, Nos. 26276,36029 and 36030.....
36032	20654	Throat Plate for 3/16 in. and 1/4 in. gauges, for 54056, 54058 and 131348, for buckle straps, for 147-39 Ma- chine.....
36326	20655	Folder for 36027.....
36327	20655	" Block for 36027.....
36328	20655	" Tongue with 36567, for 36027.....
36330	20655	" Slide for 36027.....
36440	20654	Folder for 36444.....
36441	20654	" Block for 36444.....
36442	20654	" Tongue for 36444.....
36443	20654	" Slide for 36444.....
36444	20654	Folder on Slide complete for buckle straps for 147-39 Machine, Nos.36440 to 36443 and four 50004B.....
36445	20654	Presser Foot Plate for 36446.....
36446	20654	Presser Foot (hinged) complete for buckle straps, for 147-39 Machine, Nos. 26276, 36030 and 36445.....

No.	Plate	Name
36567	20655	Folder Tongue Tip for 36328.....
37563	-----	Knee Lifter Chain, length 15 in., with 56864 and 56865.....
38210	20647	Thread (under) Nipper Spring (lower)....
38211	20647	" " " " (upper)....
38284	20647	Thread (under) Eyelet (front).....
38393	20649	Looper Thread Guard for 54377.....
38419	20643	Cloth Plate Slide (left) Spring for 54013.....
38419	20649	Cloth Plate Slide (right) Spring for 54015,54056,54058,68167,131058 and 131745.....
38456	20646	Needle Bar Bushing (lower).....
38456	20646	Presser Bar Bushing (upper).....
38467	20644	" " Spring (flat).....
38468	20644	" " " Stud.....
38478	20647	Thread (under) Take-up Staple with two each 590J and 38481.....
38481	20647	Thread (under) Take-up Staple Thread Guard for 38478.....
38487	20656	Threading Wire (Accessories).....
40268	20653	Presser Foot Guide Spring for 120730....
40326	20642	Arm Rotary Shaft Bushing (front) Oil Pad (braided cotton).....
41538	-----	Bench Stand Flush Bolt with Plate com- plete for 79611, Nos. 124247, 124248 and four brass wood screws 5/8 in. No. 4 F.H.....
42074	20645	Looper Bell Crank Ball Stud for 54348...
42075	20645	" " " Connection with four 896C, for 54348.....
42077	20645	Looper Bell Crank Connection Guide.....
42078	20645	" " " Hinge Pin for 54349....
42079	20645	" " " " " Bushing.....
42366	20641	Arm Oil Pad (braided cotton) for oiling Arm Rock Shaft Front Bearing.....
46035	20648	Slack Thread Controller Clamp.....
46041	20647	Thread (under) Take-up Staple Spring....
46105	20649	Looper Needle Guard Pin for 46204.....
46111	20644	Arm Side Cover (back) Position Pin.....
46111	20644	Face Plate Pin.....
46152	20646	Needle Clamp with two 1498F, for 54274..
46162	20649	Throat Plate for 1/8 in. to 1/4 in. gauges, for 54015, 54056, 131311 and 131742, for 147-25 Machine.....
46204	20649	Looper Needle Guard with 46105, for 54378.....
46247	20647	Thread (under) Nipper Spring (upper) Stop.....
49013	20642	Arm Rotary Shaft Front Bearing Oil Pad (braided cotton).....

No.	Plate	Name
49013	20645	Looper Carrier Connection Shaft Oil Pad (braided cotton).....
49092	20643	Oil Cup Oil Pad (felt) for 54275.....
49092	20644	Oil Tube Packing (felt) for 54110.....
50004B	20654	Folder Adjusting Screw for 36444.....
50004B	20654	" Screw for 36027 and 36444.....
50016C	20645	Looper Carrier Pitman Ball Screw Stud (right) for 54334.....
50083C	20642	Arm Rock Shaft Crank, back (ball bearing, solid) Set Screw for 131072....
50084C	20642	Arm Rotary Shaft Bushing (intermediate) Set Screw (short).....
50150C	20648	Slack Thread Regulator Set Screw for 54042.....
50253D	20653	Folder Slide Guide Screw for 120718....
50326C	20647	Tension (under thread) Screw Stud for 59539.....
50326C	20648	Tension (upper thread) Screw Stud for 59539.....
50424J	20653	Presser Foot Guide (left) Lifting Screw for 120730.....
50429C	20645	Feed Dog Stop Screw for 54019.....
50473F	20643	Cloth Plate Screw (right).....
50473F	20647	Tension (under thread) Pull-off Eyelet Screw.....
51061C	20642	Feed Eccentric Body Set Screw for 54025.
51224W	20644	Arm Side Cover (back) Thumb Screw.....
51224W	20644	" " " (front) Thumb Screw.....
51224W	20644	Face Plate Thumb Screw.....
51224W	20644	Guide Thumb Screw.....
51283C	20642	Balance Wheel Set Screw for 64259.....
51570C	20647	Tension (under thread) Regulating Thumb Nut for 59539.....
51570C	20648	Tension (upper thread) Regulating Thumb Nut for 59539.....
51576E	20657	Machine Base Screw Stud Nut for 131461 and 131462.....
52045	20641	Arm Oil Tube Packing (wick) for 11119 and 56003.....
52045	20641	Arm Rock Shaft Bushing Oil Pad (wick)...
52045	20641	" " " Flanged Bushing (front) Oil Pad (wick).....
52045	20642	Arm Rotary Shaft Bushing (intermediate, left) Oil Pad, long (braided cotton)
53225	20647	Thread (under) Eyelet (back).....
54004	20641	Arm Rock Shaft Collar with two 453C, for 68119.....
54007	20642	Arm Rotary Shaft Bushing (intermediate, right) for 54089.....
54009	20642	Arm Rotary Shaft Flanged Bushing for 54090.....

No.	Plate	Name
54010	20644	Arm Side Cover (front).....
54012	20643	Cloth Plate Slide (left) for 54013.....
54013	20643	Cloth Plate Slide (left) complete for 54258, 54350, 131742, 131743 and 131746, Nos. 38419, 54012 and two 725J.....
54014	20649	Cloth Plate Slide (right) for 54015....
54015	20649	Cloth Plate Slide (right) complete for Throat Plate 46162, for 1/8 in., 9/64 in. and 3/16 in. gauges, for 54350, Nos. 38419, 54014 and two 725J.....
54019	20645	Feed Bar with 50429C and two 453C.....
54020	20642	" " Connection.....
54023	20645	" Connecting Rod Hinge Pin.....
54025	20642	Feed Eccentric (adjustable) complete for 54113, Nos. 1103C and two each 217J, 7071 and 51061C.....
54026	20645	Feed Rocking Frame with two 453C.....
54035	20645	Looper Holder with 1120C.....
54038	20649	Needle Guard Holder.....
54039	20646	Presser Bar Guide Bracket with 453C, 640J and 1963.....
54042	20648	Slack Thread Regulator Holder with 175E and 50150C.....
54043	20648	Slack Thread Regulator Holder Shaft....
54044	20648	" " " " " " Crank (forked) with 1253C.....
54047	20648	Tension (upper thread) Releasing Shaft Crank with 624C.....
54048	20648	Tension (upper thread) Releasing Shaft Crank Link.....
54049	20647	Thread (under) Take-up Staple Bracket with 460C.....
54055	20649	Cloth Plate Slide (right) for 54056....
54056	20649	Cloth Plate Slide (right) complete for Throat Plates 36032 and 120734, for 3/16 in. and 1/4 in. gauges, for 131742, Nos. 38419, 54055 and two 725J
54057	20654	Cloth Plate Slide (right) for 54058....
54058	20654	Cloth Plate Slide (right) complete for Throat Plate 36032, for 1/4 in. gauge, for 147-39 Machine, Nos. 38419, 54057 and two 725J.....
54070	20648	Tension (upper thread) Bracket.....
54071	20648	" " " " " " Releasing Shaft..
54080	20642	Arm Rotary Shaft Bushing (front).....
54081	20642	" " " " " (intermediate, left).....
54089	-----	Arm Rotary Shaft Bushing (intermediate, right) 54007 with 64508 and 64805...

No.	Plate	Name
54090	-----	Arm Rotary Shaft Flanged Bushing 54009 with 58039 and 64805.....
54095	20648	Thread (upper) Take-up Plate for 131335.
54104	20643	Cloth Plate Thread Guard.....
54105	20641	Arm Rock Shaft Flanged Bushing (front)..
54108	20644	Oil Tube for 54110.....
54109	20644	" " Bracket for 54110.....
54110	20644	Oil Tube complete for oiling Crank Con- necting Rod (upper bearing) Nos. 49092, 54108 and 54109.....
54111	20642	Feed Connecting Rod with 1057E and two 896E, for 54113.....
54113	-----	Feed Connecting Rod 54111 with 54025, for 54347.....
54218	20642	Crank Connecting Rod Oil Pad (braided cotton) for 54259.....
54242	20648	Thread (upper) Controller Wire Clamp....
54254	20642	Arm Rotary Shaft for 54347.....
54256	20644	" Side Cover (back).....
54257	20643	Cloth Plate for 54258 and 54350, 131742, 131743 and 131746.....
54258	-----	Cloth Plate complete for Throat Plates 54426 and 131248, for 1/8 in., 3/16 in. and 1/4 in. gauges, for 147-25 Machine, Nos. 1460H, 54013, 54257, 54261 and 68167.....
54259	20642	Crank Connecting Rod with 6575, 54218, 68350 and two each 896E and 1057E, for 131346.....
54260	20642	Feed Lifting Eccentric with two 1259C...
54261	20643	Folder Holder Seat Cover for 54258, 54350, 131742 and 131743.....
54262	20645	Looper Avoiding Eccentric with two 1258C
54263	20645	" " " Connection for 54343.....
54264	20645	Looper Bell Crank with 1036C, for 54349.
54265	20645	" Carrier with two 171D, for 54344.
54266	20645	" " Connection with two 175E, for 54343.....
54268	20645	Looper Carrier Connection Shaft for 54344.....
54269	20645	Looper Carrier Connection Shaft Bushing.
54270	20645	" " Pitman with four 187E, for 54334.....
54273	20645	Looper Driving Crank with 1036C and 1259C, for 54348.....
54274	20646	Needle Bar complete, Nos. 46152 and 64319.....
54275	20643	Oil Cup with 49092.....
54276	20648	Slack Thread Regulator.....

No.	Plate	Name
54277	20647	Tension (under thread) Pull-off.....
54278	20647	" " " " Eyelet (adjustable).....
54279	20647	Tension (under thread) Thread Guide (double).....
54280	20642	Thread (under) Take-up with two 465C....
54281	20647	" " " Stripper.....
54282	20648	" (upper) Controller Wire.....
54326	20646	Needle Bar Connecting Link for 54329....
54327	20646	" " " " Hinge Stud for 54329.....
54328	20646	Needle Bar Connecting Stud with 211F and two 167E, for 54329.....
54329	-----	Needle Bar Connecting Link 54326 with 54327 and 54328.....
54331	20648	Thread (upper) Controller.....
54334	-----	Looper Carrier Pitman 54270 with 679C and 50016C.....
54343	-----	Looper Carrier Connection 54266 with 54263, for 54344.....
54344	-----	Looper Carrier Connection 54343 with 54265 and 54268.....
54347	-----	Arm Rotary Shaft 54254 with 54113, 54450, 64351, 64355 and 131346.....
54348	-----	Looper Driving Crank 54273 with 42074 and 42075.....
54349	-----	Looper Bell Crank 54264 with 42078.....
54350	-----	Cloth Plate complete for Throat Plate 46162, for 1/8 in., 9/64 in. and 3/16 in. gauges, for 147-25 Machine, Nos. 1460H, 54013, 54015, 54257 and 54261.....
54353	20649	Presser Foot Plate for 54354.....
54354	20649	Presser Foot (hinged) complete for 1/8 in. and 1/4 in. gauges, for 147-25 Machine, Nos. 26276, 36030 and 54353.
54377	20649	Looper with 590D and 38393, for 54378...
54378	20649	" 54377 with 229D and 46204.....
54422	20651	Feed Dog, 18 teeth (16 teeth to the inch) for 54426 and 131248, for 1/8 in., 3/16 in. and 1/4 in. gauges, for 147-25 Machine.....
54423	20650	Presser Foot Plate for 54425.....
54424	20650	" " Shank for 54425.....
54425	20650	Presser Foot (double hinged) complete for 1/8 in., 3/16 in. and 1/4 in. gauges, for 147-25 Machine, Nos. 26276, 54423, 54424, 54723 and two 1080F.....

No.	Plate	Name
54426	20651	Throat Plate complete for 54258, 54422 and 68167, for 1/8 in., 3/16 in. and 1/4 in. gauges, for 147-25 Machine, Nos. 54427, 54428, 131246 and two 229D
54427	20650	Throat Plate Seam Guide (left) for 54426 and 131588.....
54428	20651	Throat Plate Seam Guide (right) for 54426.....
54450	20642	Arm Rotary Shaft Collar with two 1258C, for 54347.....
54477	20657	Machine Base Screw Stud for 131461 and 131462.....
54723	20650	Presser Foot Hinge Block for 54425.....
54988	20648	Tension (upper thread) Releasing Pin....
56003	20641	Arm Oil Tube with 52045, for oiling Needle Bar Connecting Link.....
56006	20641	Arm Oil Pad (braided cotton) for oiling Arm Rock Shaft Intermediate Bearing.
56864	20656	Chain Hook (large) for 6439 and 37563...
56865	20656	" " (small) for 6439 and 37563...
57225	20645	Feed Bar Hinge Pin.....
57234	20645	" Rocking Frame Hinge Pin.....
57235	20645	" " " " " Bushing....
57257	20646	Presser Bar Lifter.....
57258	20646	" " " Hinge Pin.....
58039	20642	Arm Rotary Shaft Flanged Bushing Oil Pad, long (braided cotton) for 54090....
59456	20648	Thread (upper) Nipper Disc (outside) Nut Washer for 68137.....
59537	20647	Tension (under thread) Spring Bushing (large).....
59537	20648	Tension (upper thread) Spring Bushing (large).....
59538	20647	Tension (under thread) Spring Bushing (small).....
59538	20648	Tension (upper thread) Spring Bushing (small).....
59539	-----	Tension (under thread) Screw Stud 50326C with 51570C.....
59539	-----	Tension (upper thread) Screw Stud 50326C with 51570C.....
60656	20656	Bench Stand Hinge for 79611.....
61047	20646	Presser Bar Lifting Bracket with 460C and 1872.....
61075	20644	Presser Bar Lifting Lever Connecting Stud.....
64255	20641	Arm Rock Shaft Crank (front) with 453C, for 68119.....
64259	20642	Balance Wheel, 2 in. diam. pulley with two 51283C.....

No.	Plate	Name
64269	20644	Face Plate.....
64319	20646	Needle Bar (hollow) for 54274.....
64320	20646	" " Bushing (upper).....
64330	20646	Presser Bar with 25303.....
64331	20646	" " Bushing (lower).....
64336	20648	Slack Thread Controller.....
64351	20642	Thread (under) Nipper Cam with 465C, for 54347.....
64355	20642	Thread (under) Take-up Thread Guard for 54347.....
64356	20647	Thread (under) Take-up Thread Guard Steady Pin.....
64386	20641	Arm Rock Shaft Bushing (back).....
64388	20641	" " " " (intermediate)...
64508	20642	" " " " (intermediate, right) Oil Pad, long (braided cotton) for 54089.....
64805	20642	Arm Rotary Shaft Bushing (intermediate, right) Oil Pad, short (braided cotton) for 54089.....
64805	20642	Arm Rotary Shaft Flanged Bushing Oil Pad, short (braided cotton) for 54090....
68118	20641	Arm Rock Shaft for 68119.....
68119	-----	" " " 68118 with 54004 and 64255
68129	20648	Thread (upper) Nipper Body for 68137....
68130	20648	" " " Disc (inside) for 68137.....
68131	20648	Thread (upper) Nipper Disc (inside) Washer (fibre) for 68137.....
68132	20648	Thread (upper) Nipper Disc (outside) for 68137.....
68133	20648	Thread (upper) Nipper Roller for 68136..
68134	20648	" " " " Hinge Pin for 68136.....
68135	20648	Thread (upper) Nipper Stud for 68136....
68136	-----	" " " " 68135 with 68133 and 68134, for 68137.....
68137	-----	Thread (upper) Nipper complete, Nos. 1698R, 13218, 59456, 68129 to 68132 and 68136.....
68138	20648	Thread (upper) Nipper Thread Guide.....
68164	20648	" " Take-up Plate Spring for 131335.....
68166	20651	Cloth Plate Slide (right) for 68167.....
68167	20651	Cloth Plate Slide (right) complete for Throat Plates 54426 and 131248, for 1/8 in., 3/16 in. and 1/4 in. gauges, for 54258, Nos. 38419, 68166 and two 725J.....
68184	20644	Presser Bar Lifting Lever Extension....
68208	20644	" " " Lever.....
68222	20633	Belt Guard with two wood screws 1 in.No. 12 F.H.....

## NUMERICAL LIST OF PARTS

No.	Plate	Name
68261	20648	Tension (upper thread) Releasing Shaft Spring.....
68288	20643	Looper Bell Crank Connection Cover.....
68350	20642	Crank Connecting Rod Oil Cup for 54259..
79611	-----	Bench Stand with 27998, two each 41538, 126849, three wood screws 1 1/4 in. No. 12, four each 60656, wood screws 1 1/4 in. No. 10, eight wood screws 5/8 in. No. 6 and sixteen wood screws 5/8 in. No. 7, for 147-25 Machine.....
120341	20656	Tweezers (curved) Accessories.....
120344	20656	Oiler (copper plated) with 120345 (Accessories).....
120345	20656	Oiler Spout, 4 1/2 in. long for 120344..
120440	20656	Screw Driver (large) Accessories.....
120463	20652	Strip Folder Holder with 8505 and 18116, for 131746.....
120710	20653	Edge Folder on Bracket for 120718.....
120711	20653	Folder Slide for 120718.....
120712	20653	" " Guide for 120718.....
120713	20653	" " " Lock Spring for 120718.....
120714	20653	Folder Plate for 120718.....
120715	20653	Strip Folder on Bracket for 120718.....
120716	20653	" " Position Plate with 5944, for 120718.....
120717	20653	Strip Folder Shank for 120718.....
120718	20653	Attachment (convertible) complete for making straight or tunnel belt loops, for 147-39 Machine, Nos. 646D, 1425J, 120710, 120711, 120713 to 120717, two each 335J, 857D, 120712 and four each 1443J and 50253D.....
120719	20652	Strip Folder on Slide (short) for 147-39 Machine.....
120720	20653	Presser Foot Guide (left) with 120736, for 120730.....
120721	20653	Presser Foot Guide (left) Lifting Lever for 120730.....
120722	20653	Presser Foot Guide (left) Lifting Lever Latch for 120730.....
120723	20653	Presser Foot Guide (left) Lifting Lever Latch Spring for 120730.....
120724	20653	Presser Foot Guide (right) with 120736, for 120730.....
120725	20653	Presser Foot Guide Spring Cap for 120730
120726	20653	" " Hinge Stud for 120730.....
120727	20653	" " " " Collar with 468C, for 120730.....

## NUMERICAL LIST OF PARTS

No.	Plate	Name
120728	20653	Presser Foot Plate for 120730.....
120729	20653	" " Shank for 120730.....
120730	20653	Presser Foot (hinged) with spring yielding guides and device, for locking left hand guide, complete for straight or tunnel belt loops, for 120718, for 147-39 Machine, Nos. 111D, 1264J, 50424J, 120720 to 120729, two 40268 and three 337J.....
120733	20652	Feed Dog, 20 teeth (16 teeth to the inch) for 3/16 in. and 1/4 in. gauges, for 120734 and 121140, for 147-39 Machine.....
120734	20653	Throat Plate for 3/16 in. and 1/4 in. gauges, for 54056, 120718, 120719, 120733, for 147-39 Machine.....
120736	20653	Presser Foot Guide (left) Guide Pin for 120720.....
120736	20653	Presser Foot Guide (right) Guide Pin for 120724.....
121108	20656	Screw Driver (small) Accessories.....
121132	20652	Presser Foot Plate for 121134.....
121133	20652	" " Shank for 121134.....
121134	20652	Presser Foot (hinged) complete for 3/16 in. gauge, for narrow belt loops, for 147-39 Machine, Nos. 26276, 121132 and 121133.....
121135	20652	Presser Foot Plate for 121136.....
121136	20652	Presser Foot (hinged) complete for 1/4 in. gauge, for narrow belt loops, for 147-39 Machine, Nos. 26276, 121135 and 121192.....
121137	20652	Throat Plate Belt Loop Guide (left) for 121140.....
121138	20652	Throat Plate Belt Loop Guide (right) for 121140.....
121139	20652	Throat Plate Body for 121140.....
121140	20652	Throat Plate complete, for 3/16 in. and 1/4 in. gauges, for 120733, 131745 and 131746, for 147-39 Machine, Nos. 121137 to 121139 and four 233J.....
121192	20652	Presser Foot Shank for 121136.....
126247	20656	Bench Stand Flush Bolt for 41538.....
126248	20656	" " " " Plate for 41538..
126249	20633	Foot Lifter Treadle for 150452.....
126250	20633	" " " Spring for 150452..
126849	20656	Bench Stand Flap Hinge with four wood screws 3/4 in. No. 7, for 79611.....
131019	20657	Machine Base Oil Pipe for 131461.....
131020	20657	" " " " Valve for 131461..

## NUMERICAL LIST OF PARTS

No.	Plate	Name
131057	20650	Cloth Plate Slide (right) for 131058....
131058	20650	Cloth Plate Slide (right) complete for Throat Plate 131588, for 1/4 in. gauge, for 131743, Nos. 38419,131057 and two 725J.....
131072	20642	Arm Rock Shaft Crank, back (ball bearing, solid) with two 50083C, for 131346.....
*131128	-----	Arm, upper and lower (solid) with 948J, 15404 and two 15405.....
131185	20658	Machine Base Oil Drain Jar (glass) for 131268.....
131188	20658	Machine Base Oil Drain Jar Clamp for 131217.....
131189	20658	Machine Base Oil Drain Jar Clamp Lever for 131217.....
131191	20658	Machine Base Oil Drain Jar Cap for 131268.....
131217	-----	Machine Base Oil Drain Jar Clamp 131188 with 131189, for 131268.....
131246	20651	Throat Plate Body for 54426 and 131248..
131247	20651	" " Filling-in Piece for 131248
131248	20651	Throat Plate complete for 1/8 in., 3/16 in. and 1/4 in. gauges, for 54258, 54422 and 68167, for 147-25 Machine, Nos. 131246, 131247 and two 229D....
131265	20658	Machine Base Oil Drain Jar Nipple (long) for 131268.....
131266	20658	Machine Base Oil Drain Jar Nipple(short) for 131268.....
131267	20658	Machine Base Oil Drain Jar Nipple Elbow for 131268.....
131268	20658	Machine Base Oil Drain Jar (swinging type) complete for 131462, Nos. 131185,131191,131217,131266 and two each 1247C, 131265 and 131267.....
131269	20649	Needle Guard for 1/8 in. to 1/4 in. gauges.....
131279	20657	Machine Cushion (felt) for 131461 and 131462.....
131311	20649	Feed Dog,21 teeth (16 teeth to the inch) for 1/8 in. to 1/4 in. gauge, for 46162, for 147-25 Machine.....
131334	20648	Thread (upper) Take-up for 131335.....
131335	-----	Thread (upper) Take-up complete, Nos. 1449J, 54095, 68164 and 131334.....
131346	-----	Crank Connecting Rod 54259 with 131072, for 54347.....
131348	20654	Feed Dog,27 teeth (16 teeth to the inch) for 3/16 in. and 1/4 in. gauges, for 36032, for 147-39 Machine.....

## NUMERICAL LIST OF PARTS

No.	Plate	Name
131460	20657	Machine Base for 131461 and 131462.....
131461	20657	Machine Base complete, Nos.131019,131020, 131460, three each 9842,51576E,54477 and four each 948E and 131279.....
131462	20658	Machine Base with Oil Drain Jar (swinging type) complete, Nos. 131268, 131460, three each 9842,51576E,54477 and four each 948E and 131279.....
131585	20650	Feed Dog,17 teeth (12 teeth to the inch) for 1/4 in. gauge, for 131588, for medium heavy and heavy weight material, for 147-25 Machine.....
131586	20650	Throat Plate Body for 131588.....
131587	20650	" " Seam Guide (right) for 131588.....
131588	20650	Throat Plate complete for 1/4 in. gauge, for 131058, 131585 and 131743, for medium heavy and heavy weight material, for 147-25 Machine, Nos. 54427,131586,131587 and two 1100J...
131696	20648	Tension (upper thread) Thread Guide.....
131740	20647	" (under thread) Spring.....
131741	20648	" (upper thread) Spring.....
131742	-----	Cloth Plate complete for Throat Plate 46162, for 1/4 in. gauge, for 147-25 Machine, Nos.1460H,54013,54056,54257 and 54261.....
131743	-----	Cloth Plate complete for Throat Plate 131588, for 1/4 in. gauge, for 147-25 Machine, Nos. 1460H, 54013, 54257, 54261 and 131058.....
131744	20652	Cloth Plate Slide (right) for 131745....
131745	20652	Cloth Plate Slide (right) complete for Throat Plate 121140, for 3/16 in.and 1/4 in. gauges, for 131746, for 147-39 Machine, Nos. 38419, 131744 and two 725J.....
131746	-----	Cloth Plate complete for Throat Plate 121140, for 3/16 in. and 1/4 in. gauges, for 147-39 Machine, Nos. 1460H,54013,54257,120463 and 131745.
140219C	20633	Rock Shaft Stop Dog Set Screw for 2770..
150203	20659	Thread Unwinder Spool Rest Cushion (felt) for 259143.....
150451	20633	Foot Lifter Treadle Stand for 150452....
150452	20633	Foot Lifter Treadle complete, Nos. 4879, 4882, 126249, 126250, 150451 and two wood screws 1 in. No. 16 F.H.....
200383C	20659	Thread Unwinder Spool Rest Rod Set Screw for 202490.....

## NUMERICAL LIST OF PARTS

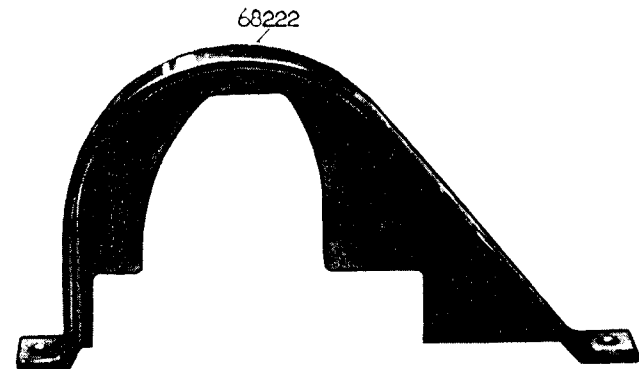
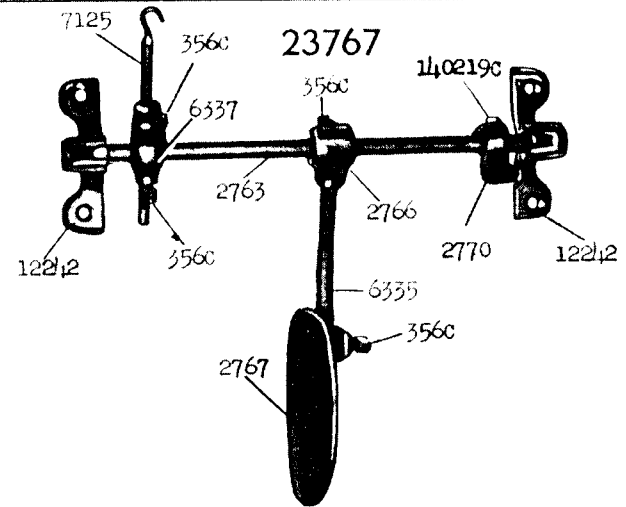
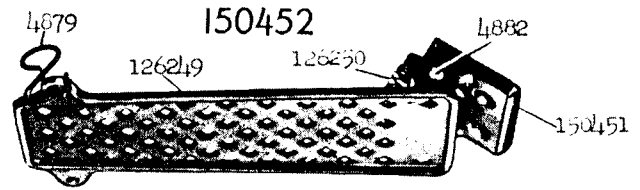
No.	Plate	Name
201C18C	20659	Thread Unwinder Spool Rest Set Screw for 225257 and 225259.....
201696J	20659	Thread Unwinder Thread Guide Lock Nut for 259143.....
202490	20659	Thread Unwinder Spool Stand with 200383C, for 259143.....
225257	20659	Thread Unwinder Spool Rest (for two spools) with 201018C, for 259143....
225259	20659	Thread Unwinder Spool Rest (for one spool) with 201018C, for 259143.....
225322	20659	Thread Unwinder Thread Guide Rod Washer for 225324.....
225324	20659	Thread Unwinder Thread Guide Rod with 208E and 225322, for 259143.....
225326	20659	Thread Unwinder Thread Guide Position Cup for 259143.....
225388	20659	Thread Unwinder Spool Rest Rod for 259143.....
225390	20659	Thread Unwinder Thread Cone Holder, for inverted cones, for 259143.....
225391	20659	Thread Unwinder Thread Guide for 259143.
259143	20659	Thread Unwinder complete (for three spools) Nos. 201696J, 202490, 225257, 225259, 225324, 225326, 225388, three each 150203, 225391 and wood screws 7/8 in. No. 12.....

**Genuine Singer Needles should be used  
in Singer Machines.  
These Needles and their Containers  
are marked with the  
Company's Trade Mark "SIMANCO." 1**

**Needles in Containers marked  
"For Singer Machines"  
are not Singer made needles. 2**

ILLUSTRATIONS  
OF  
PARTS

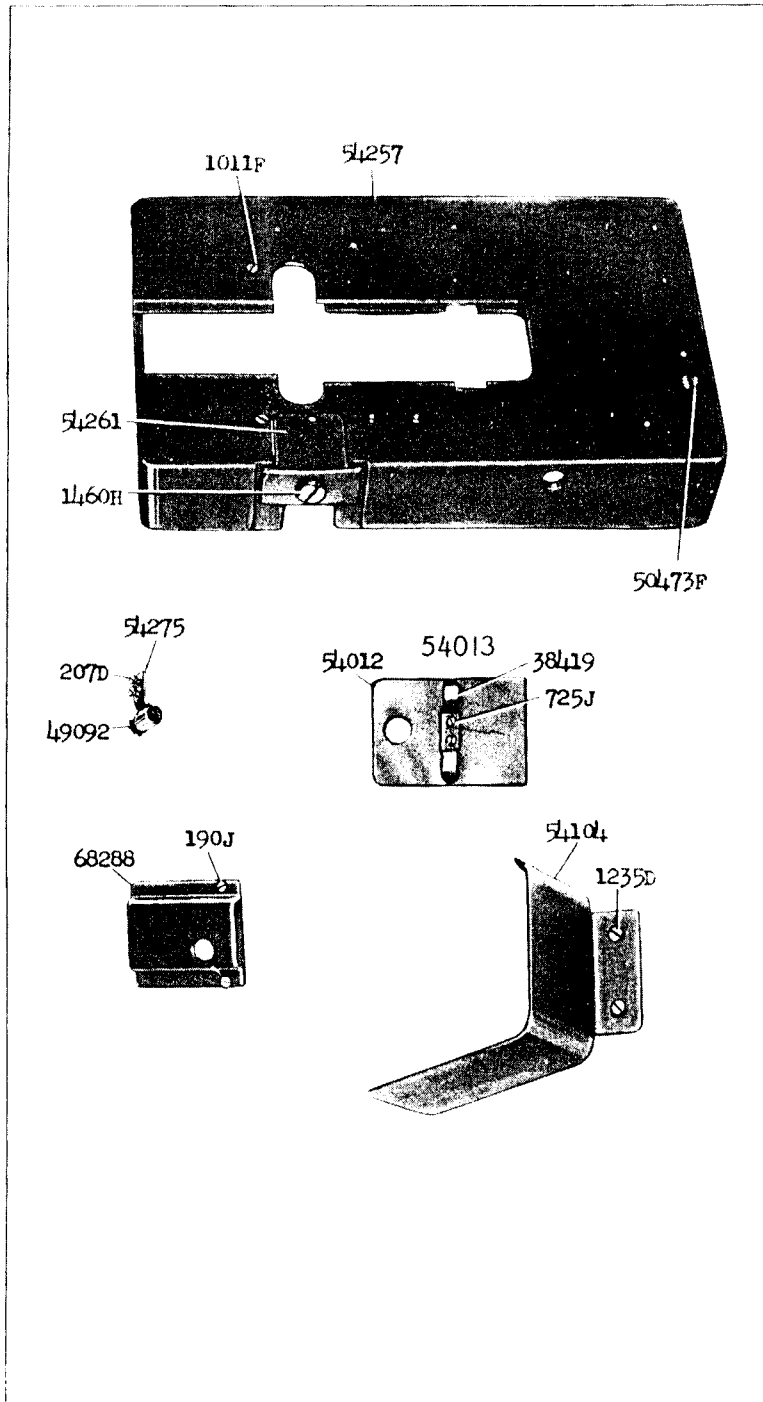
20633 - 1/4



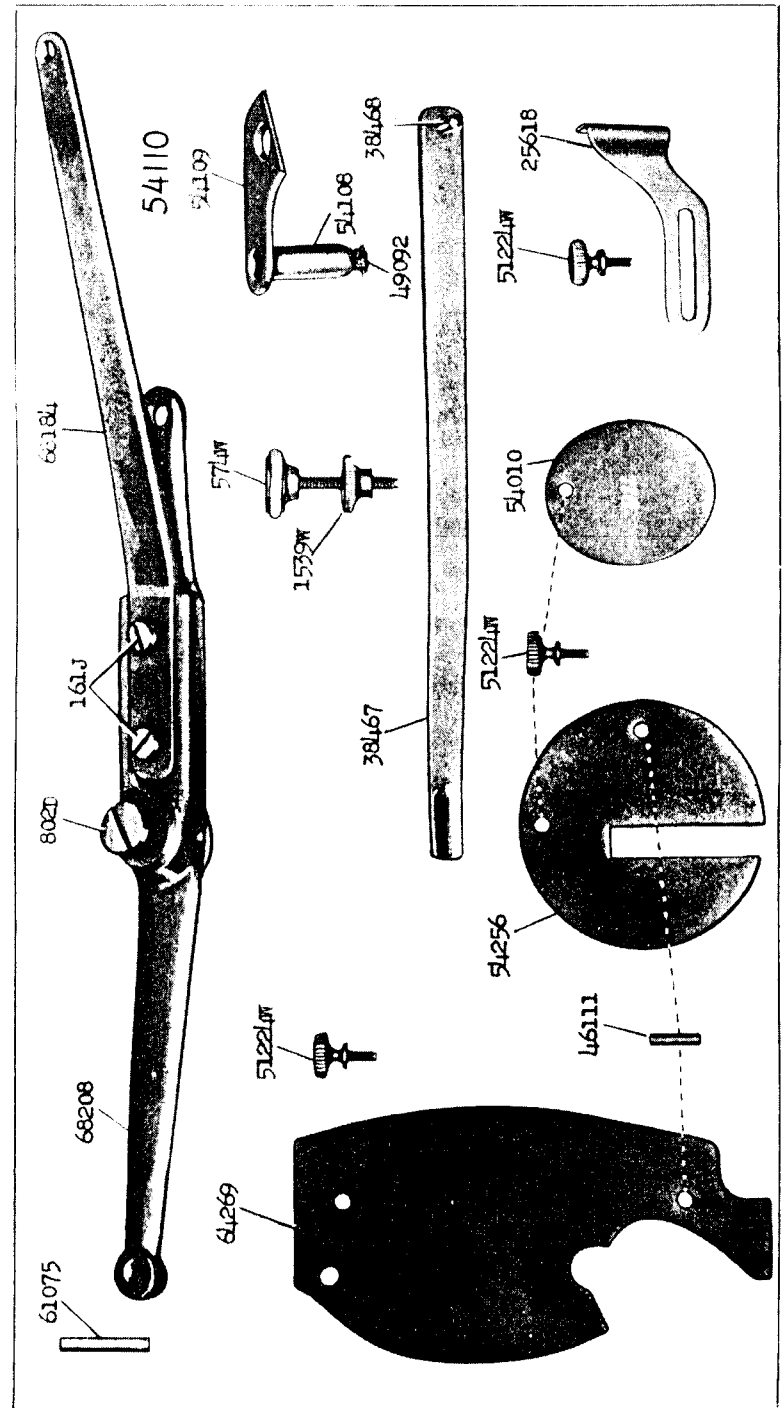




20643 - 1/4



20644 - 1/2

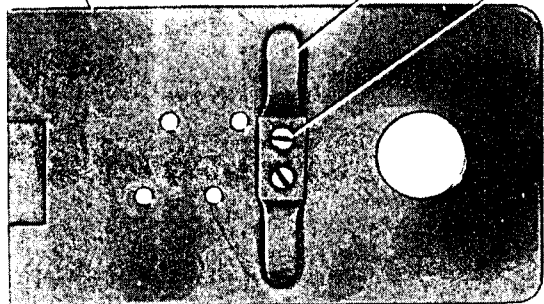
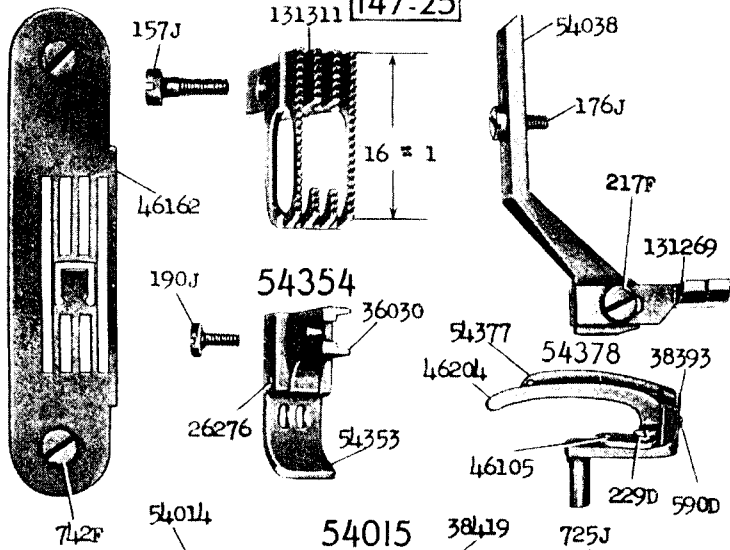




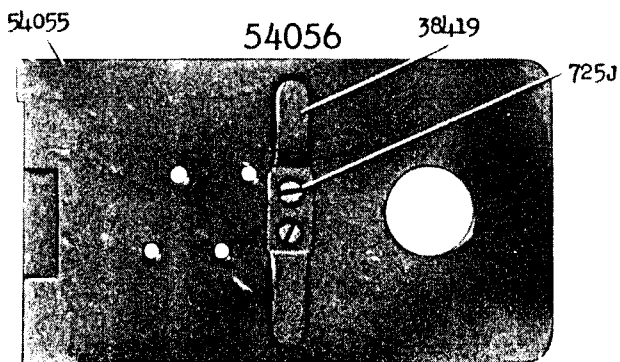


20649 - 2/3

147-25



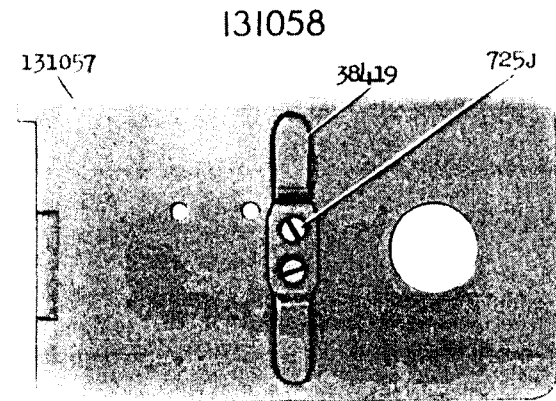
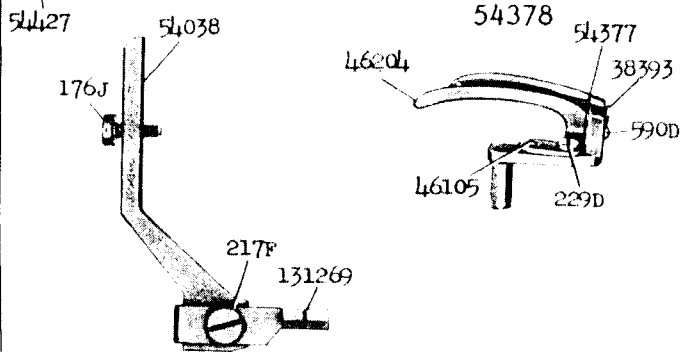
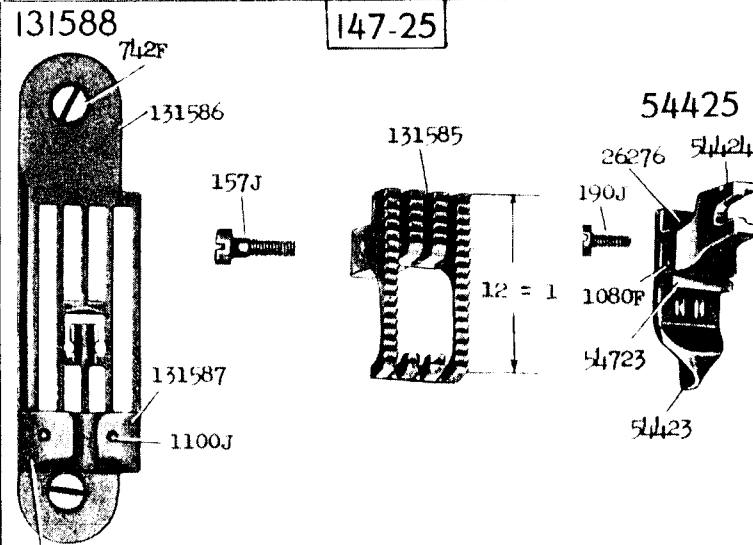
1/8, 9/64, 3/16



1/8, 9/64, 3/16, 1/4

20650 - 2/3

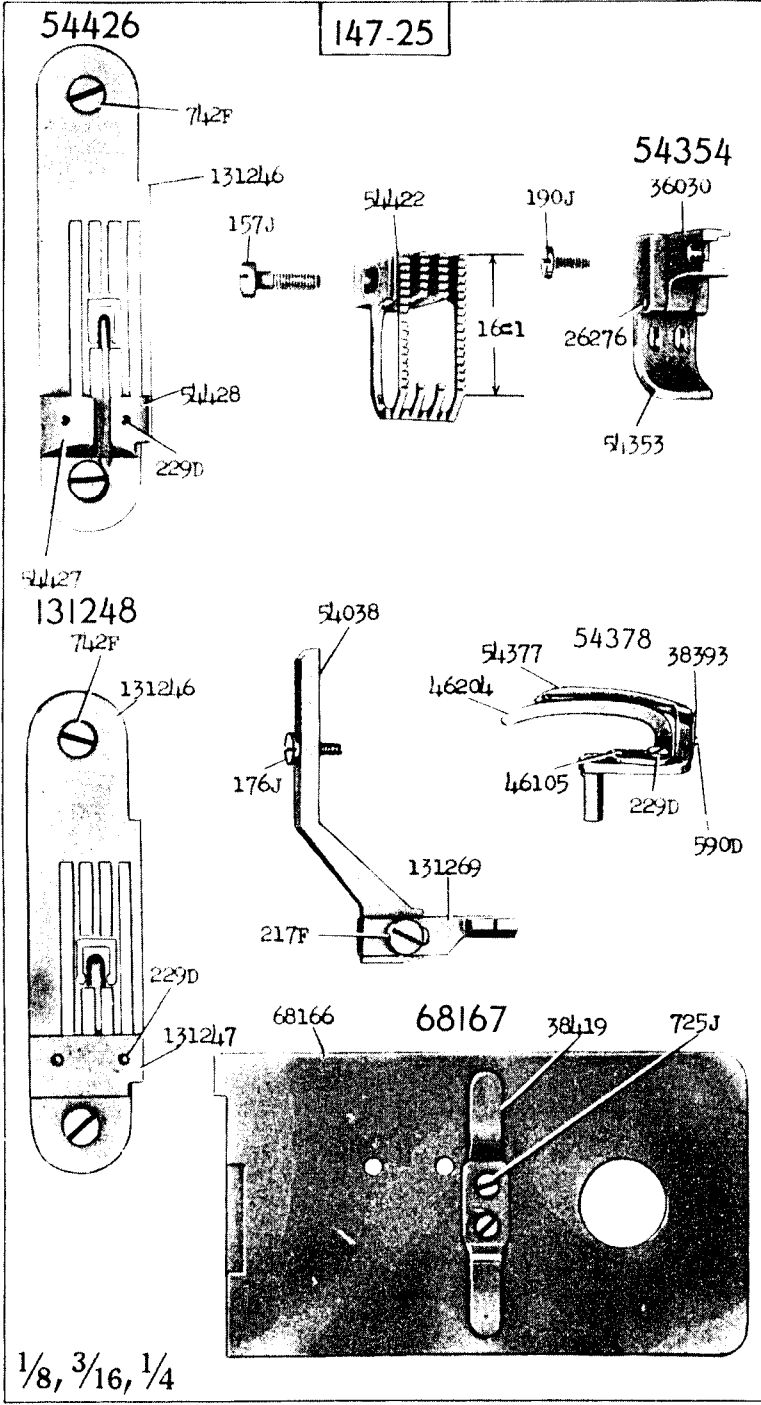
147-25



1/4

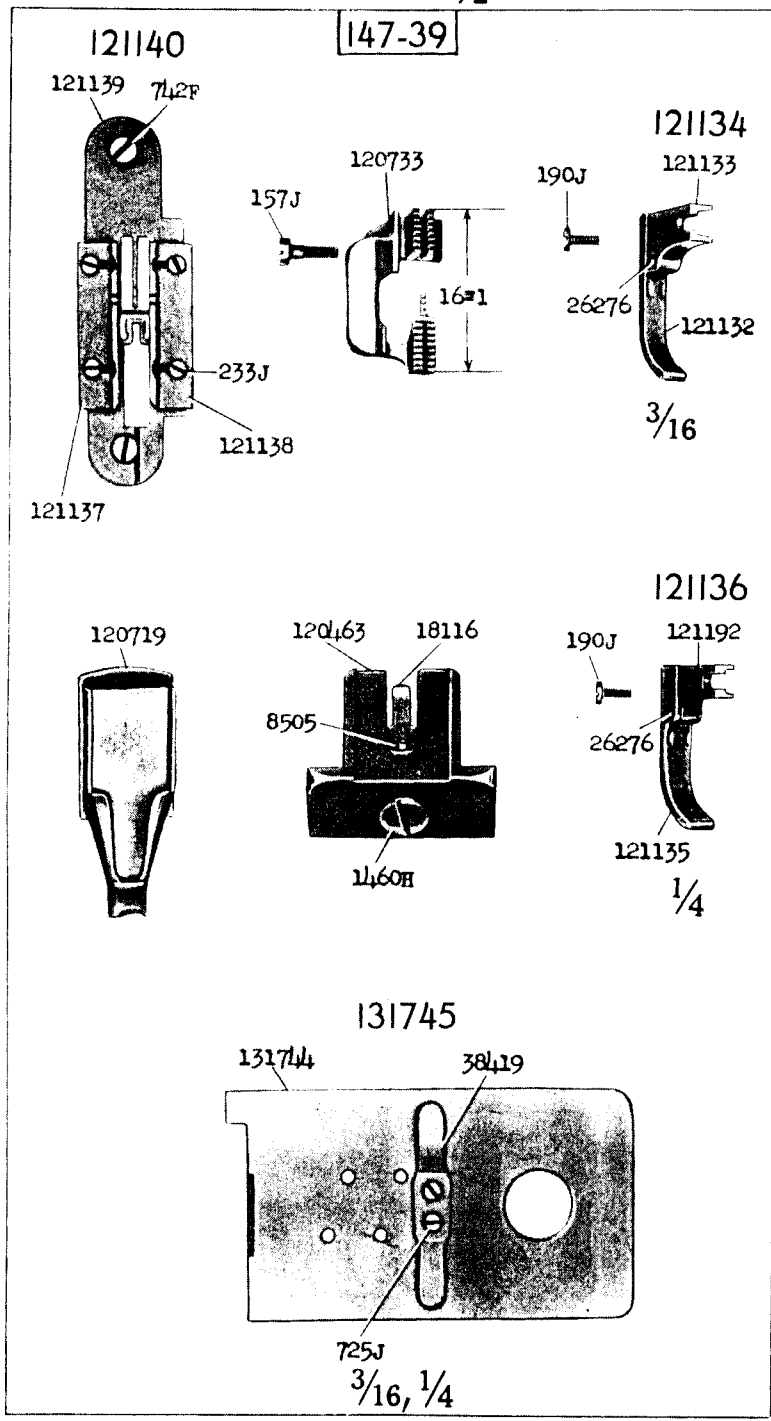
20651 - 2/3

147-25

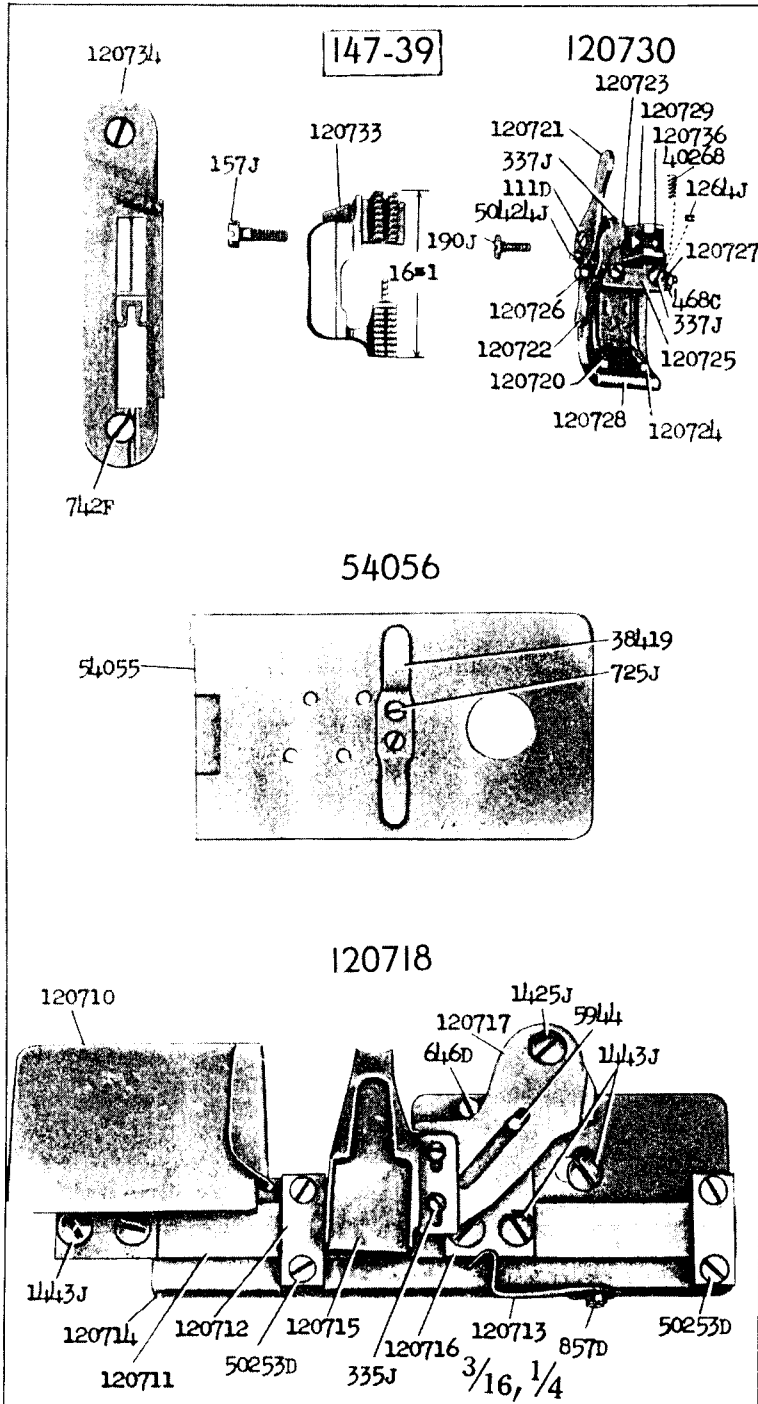


20652 - 1/2

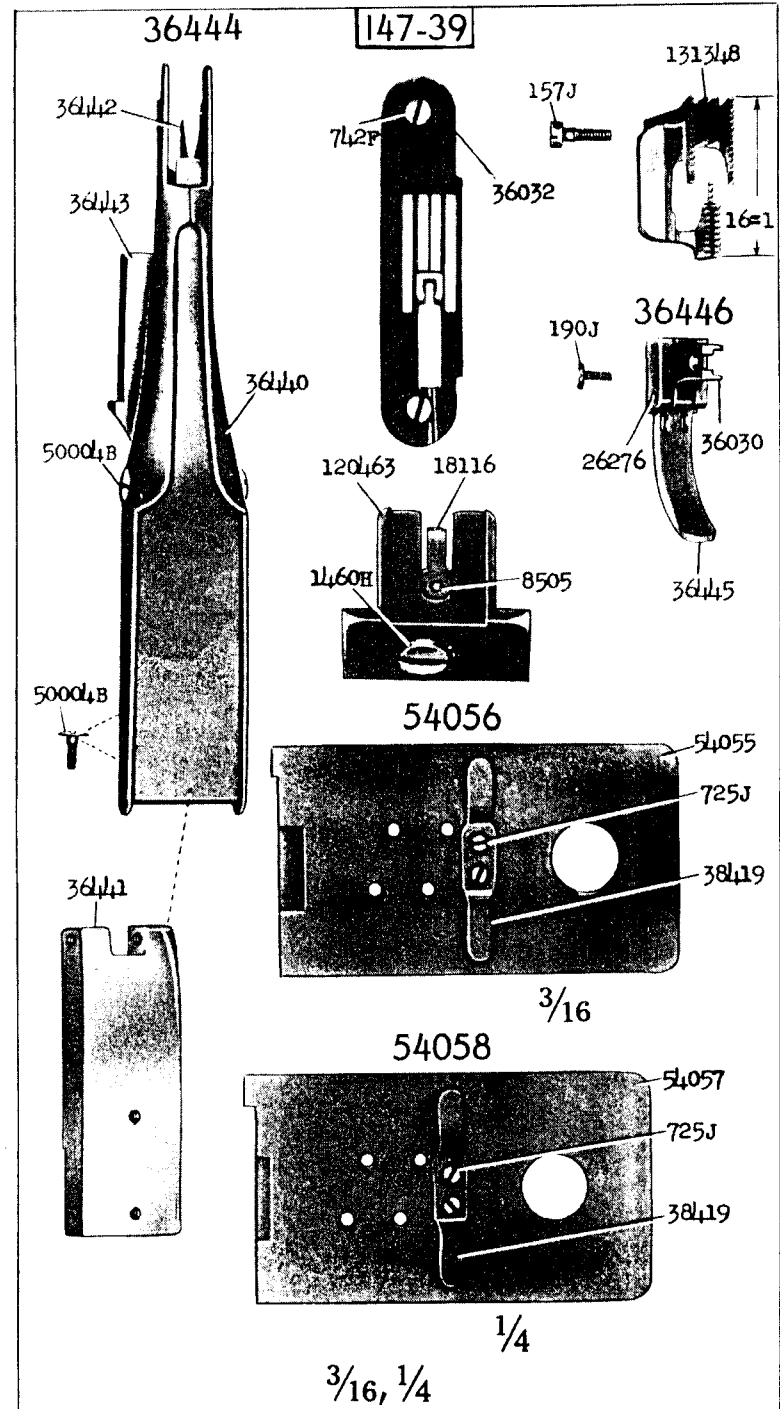
147-39



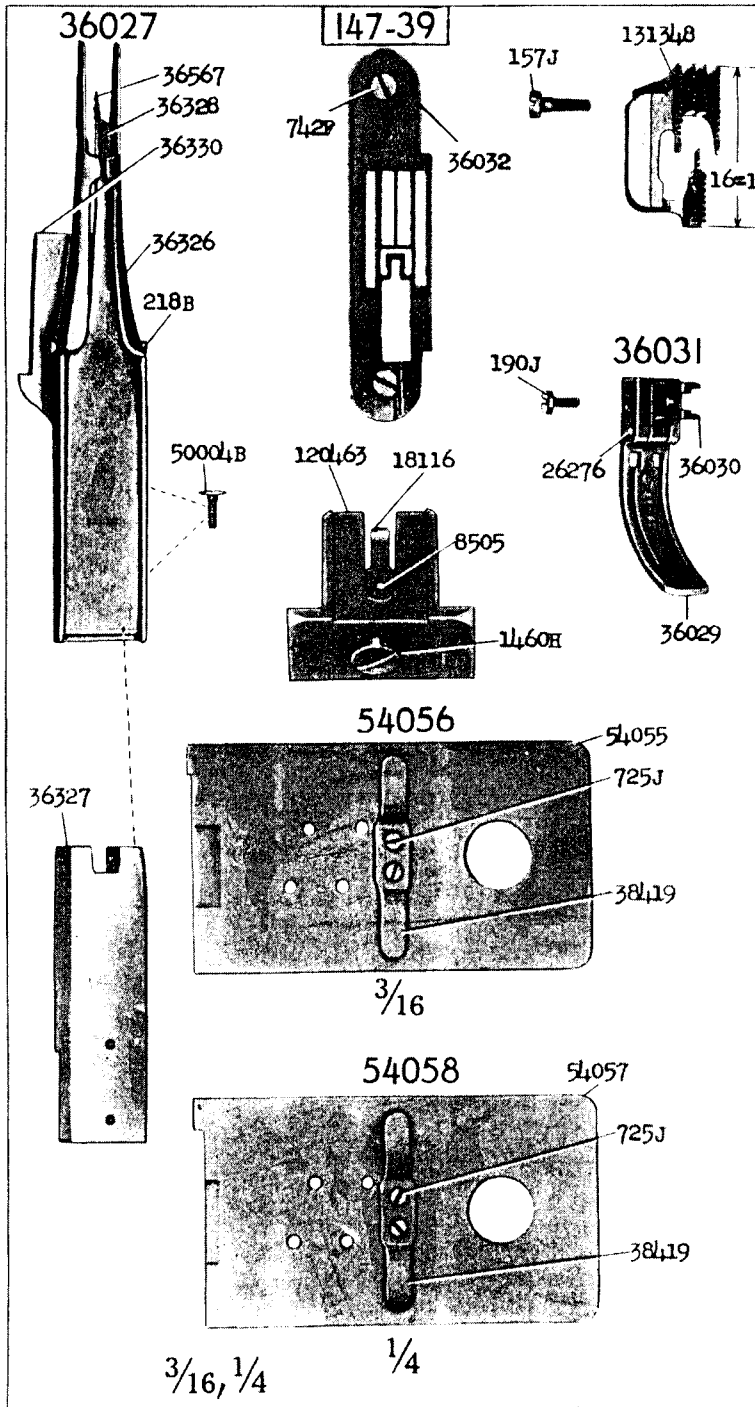
20653 - 1/2



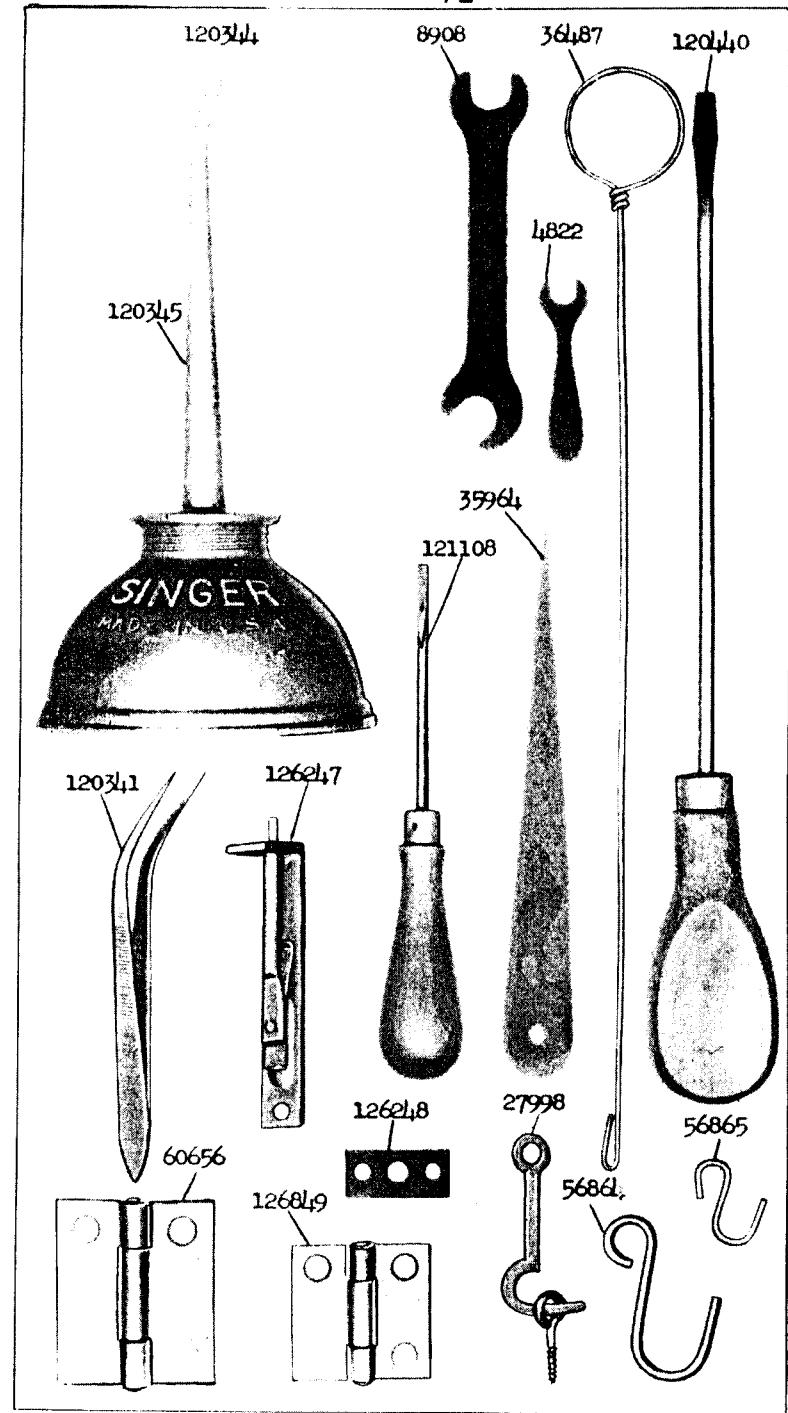
20654 - 1/2



20655 - 1/2



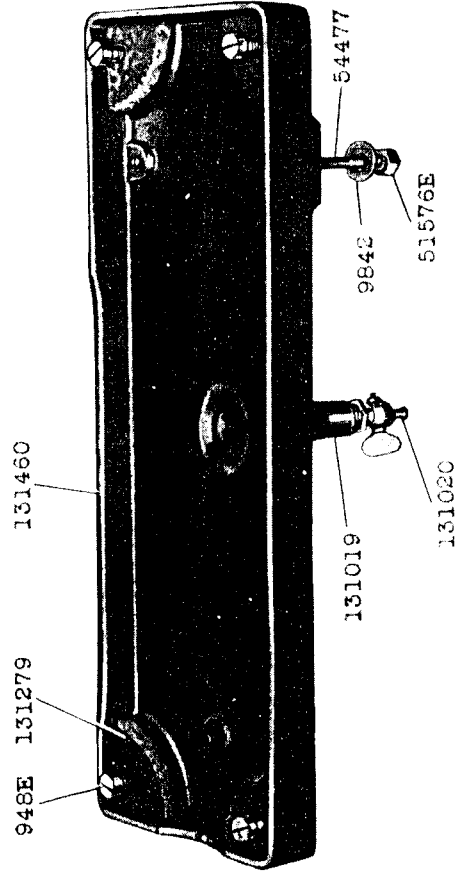
20656 - 1/2





20657 - 1/4

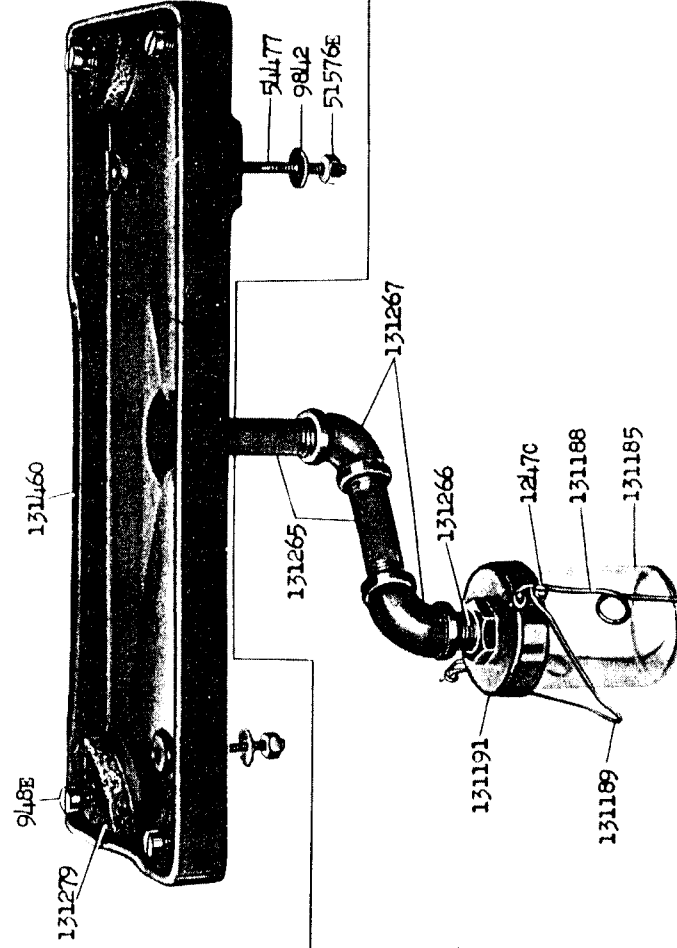
131461



20658 - 1/4

131462

131268



20659 - 1/4

259143

