

SINGER
47W70

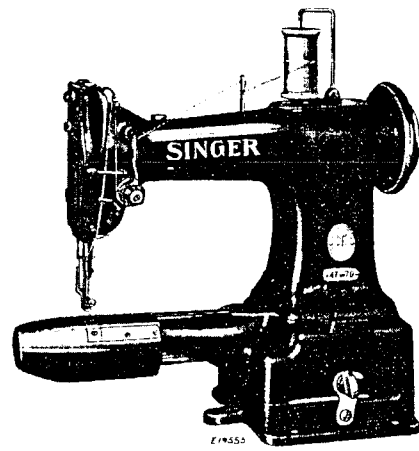
Form 2565w
(Rev. 1055)
Printed in U. S. A.

SINGER*

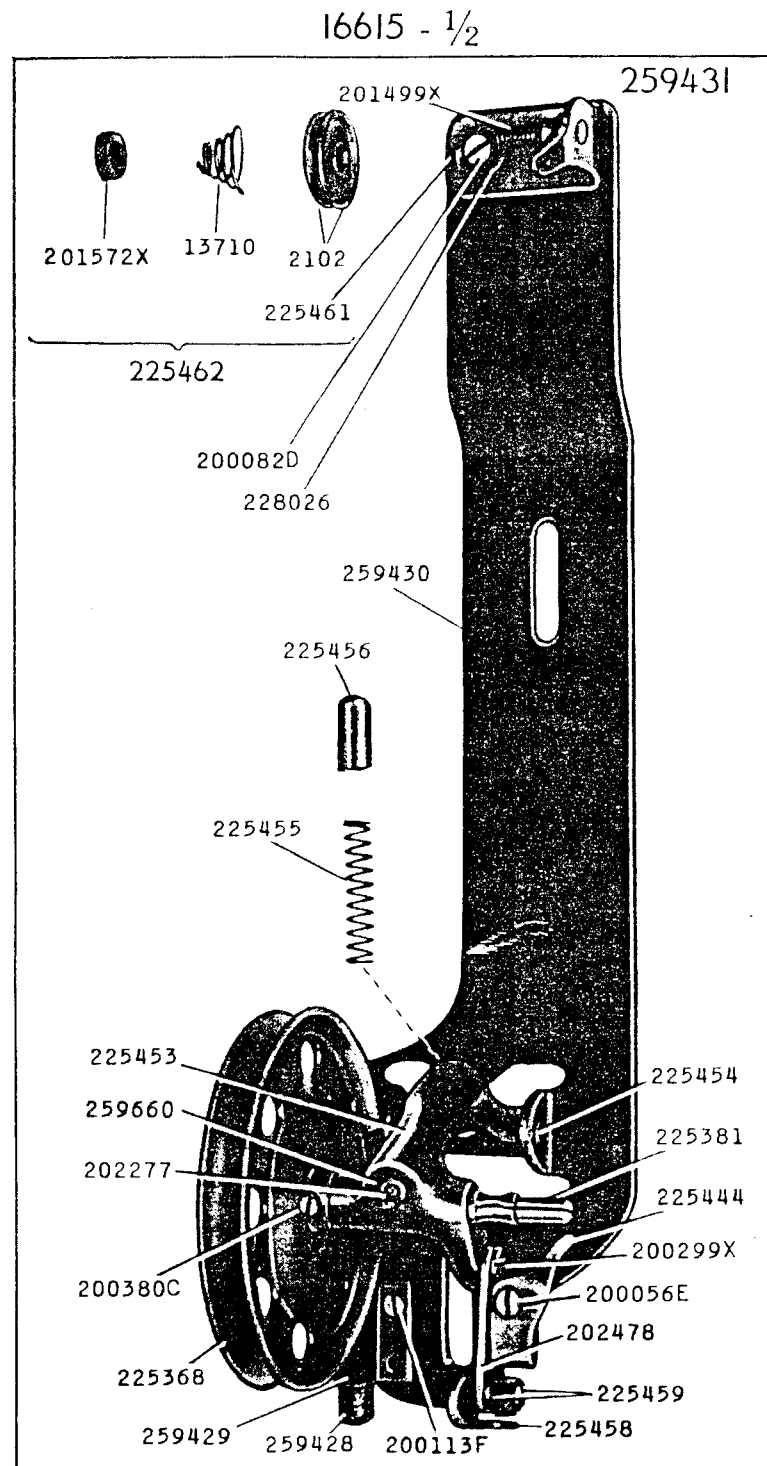
47w70

THE SINGER COMPANY

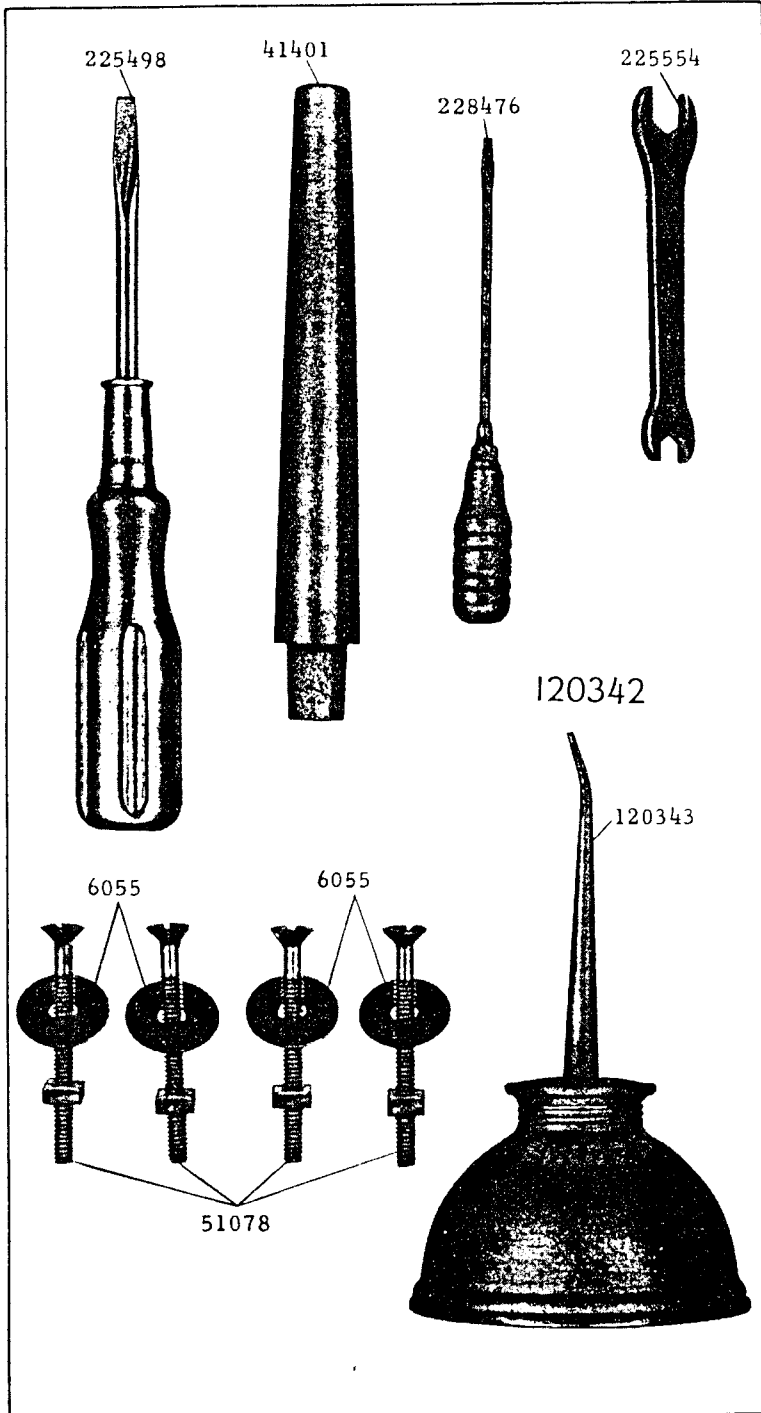
**A Trade Mark of THE SINGER COMPANY



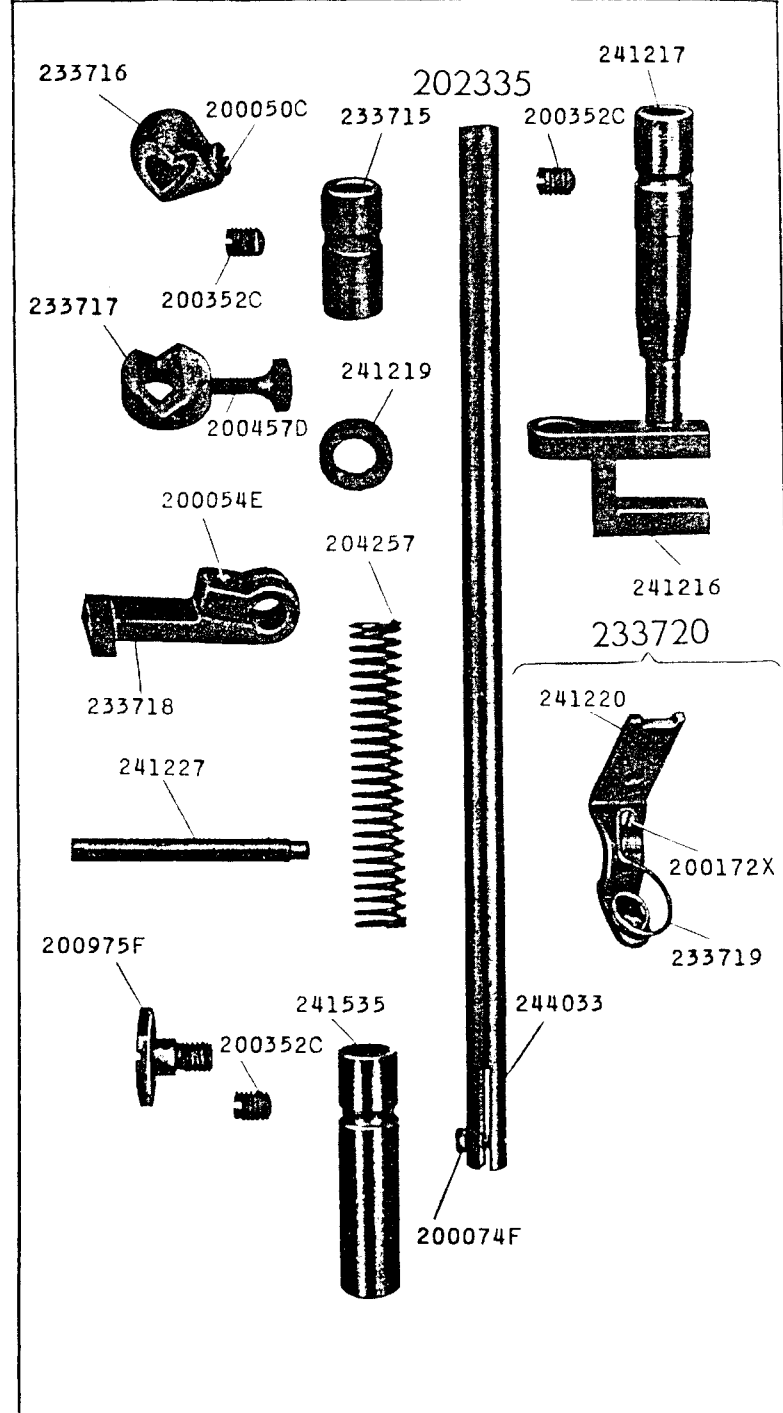
Copyright © 1956 by The Singer Company



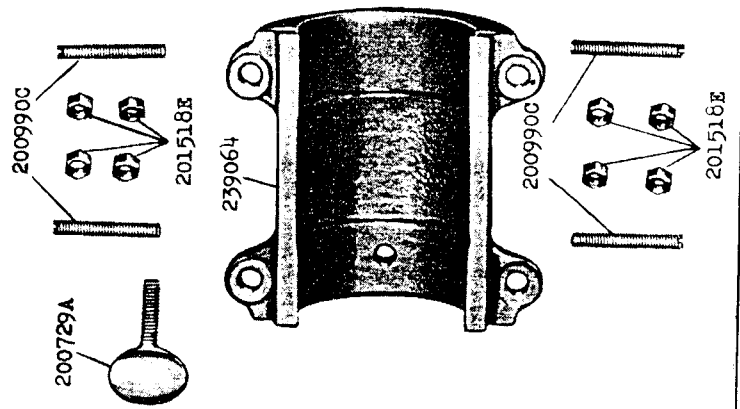
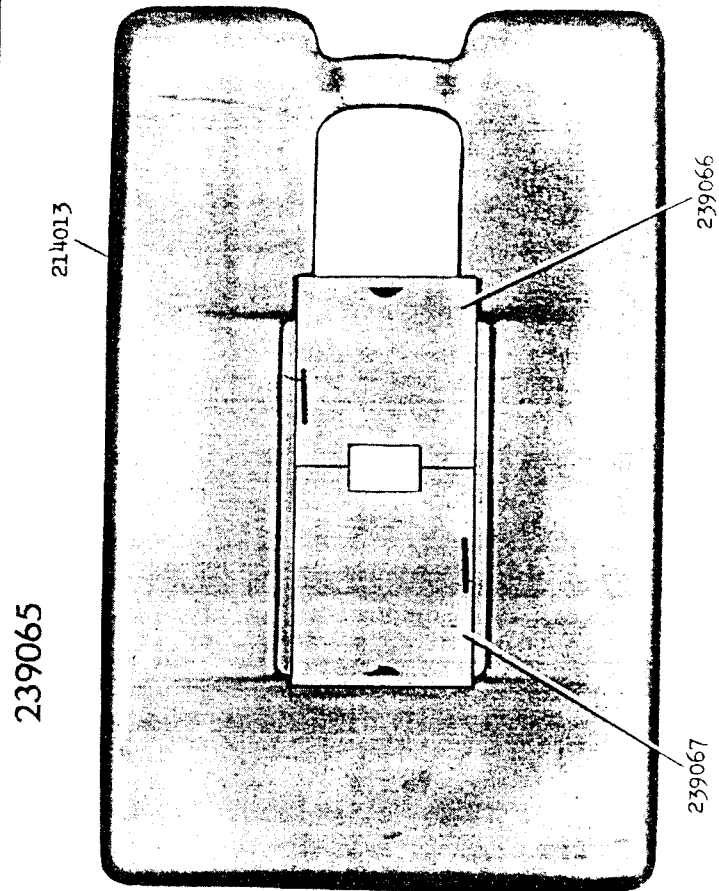
16783 - 1/2



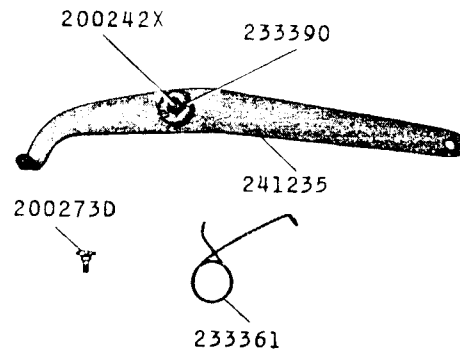
17026 5/8



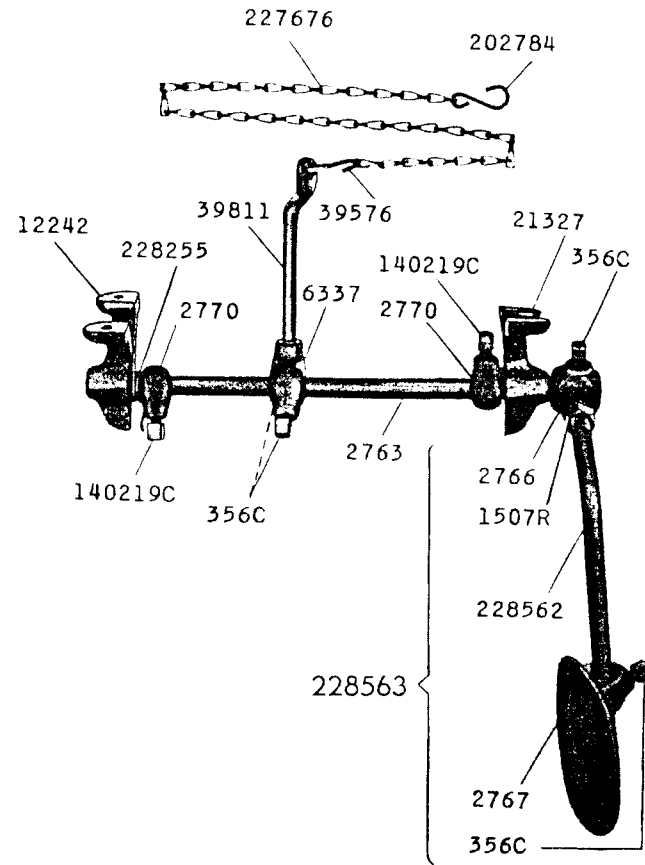
17028 - 3/8



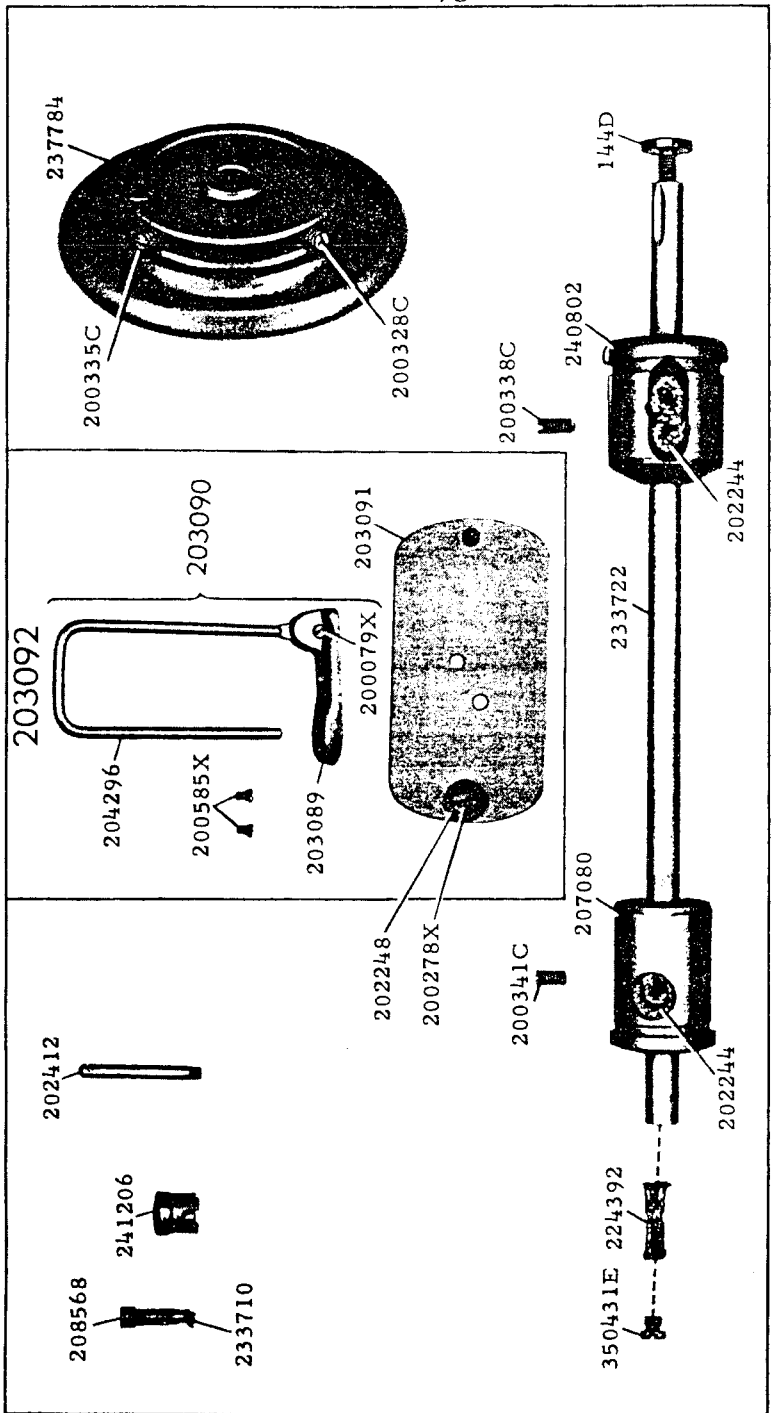
17029 1/4



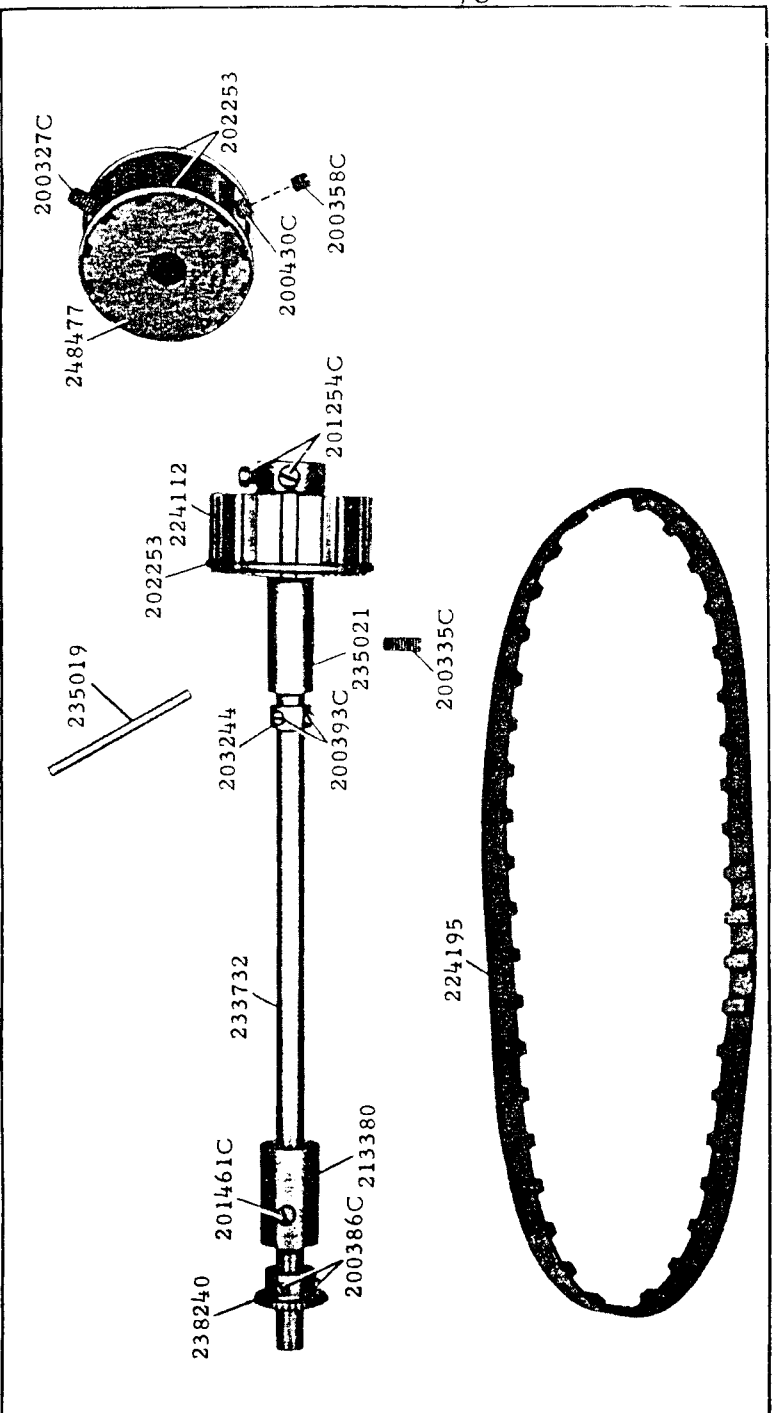
228251



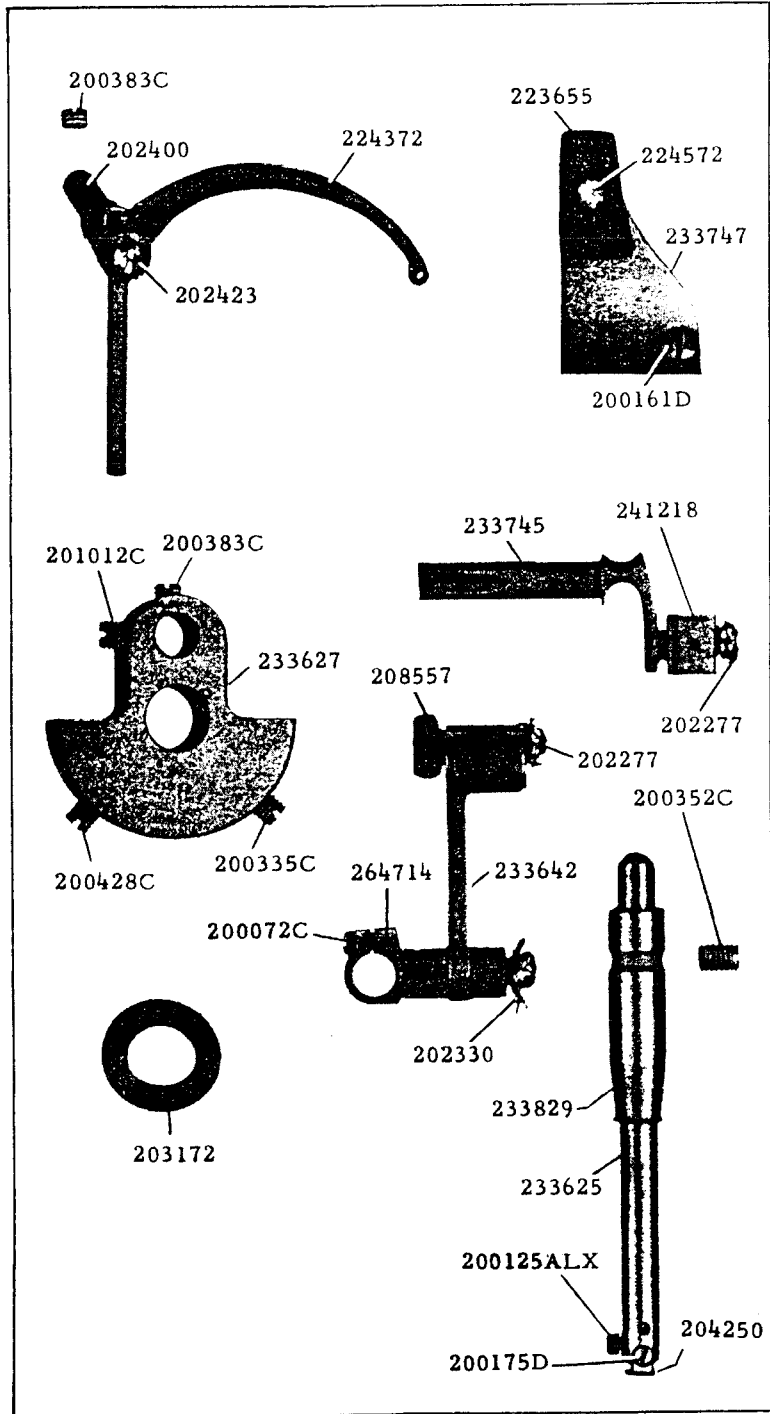
17069 - 3/8



17070 - 3/8



17073 - 5/8



17074 - 3/4

