

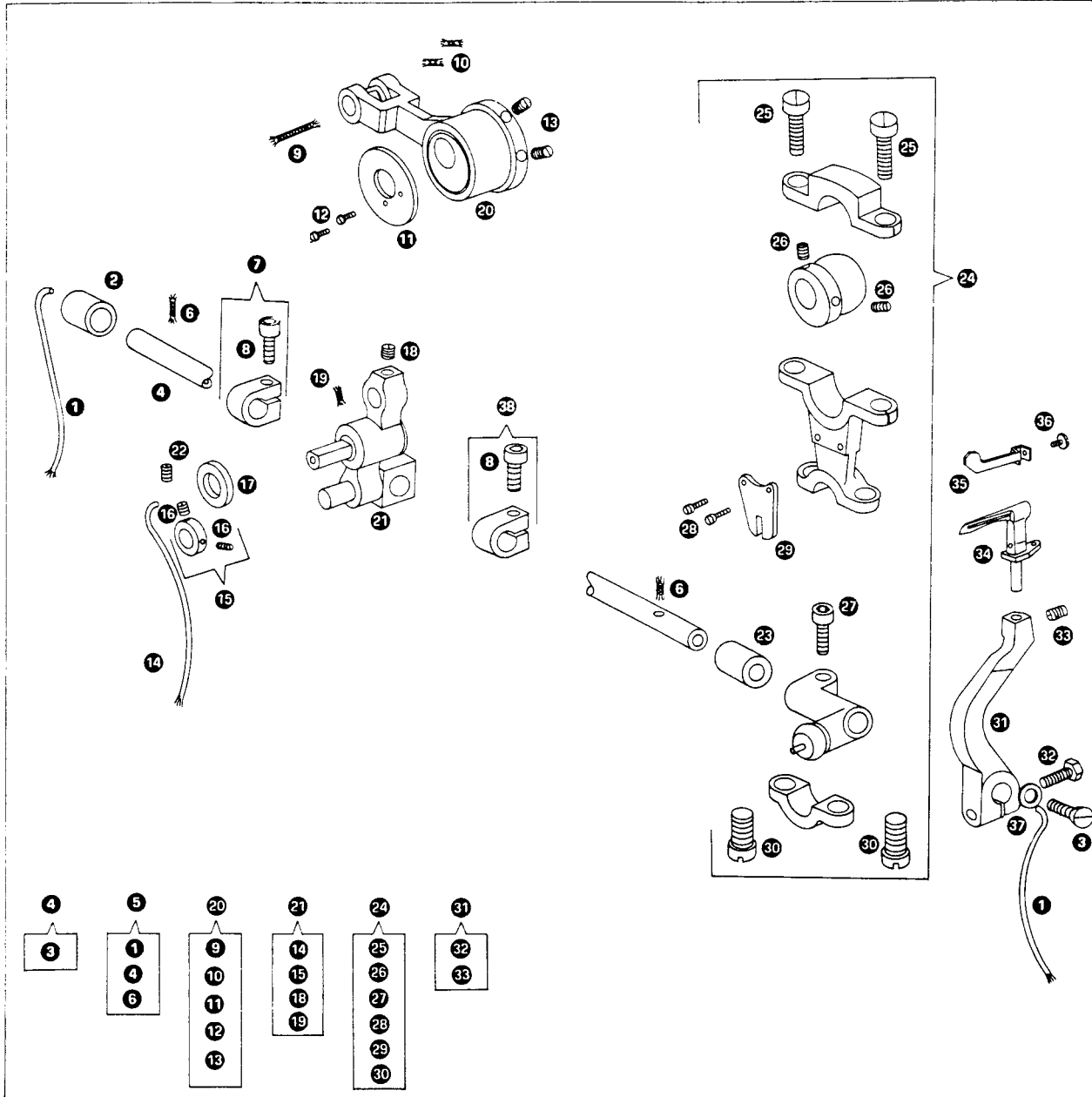
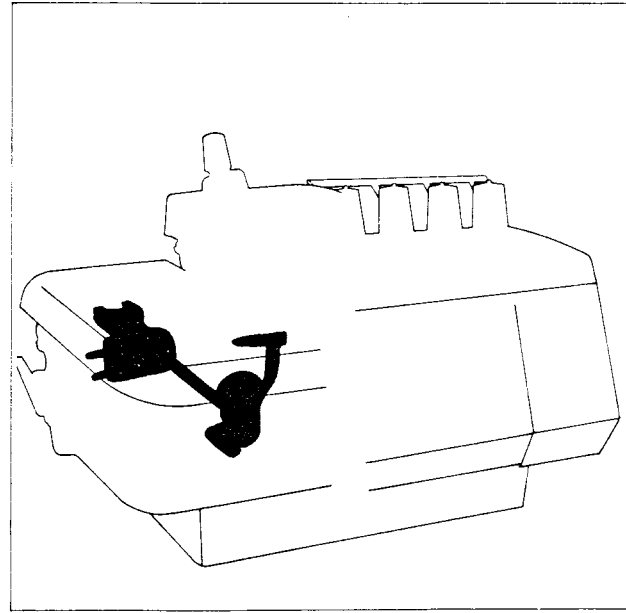
SINGER
991B

Parts List

SINGER

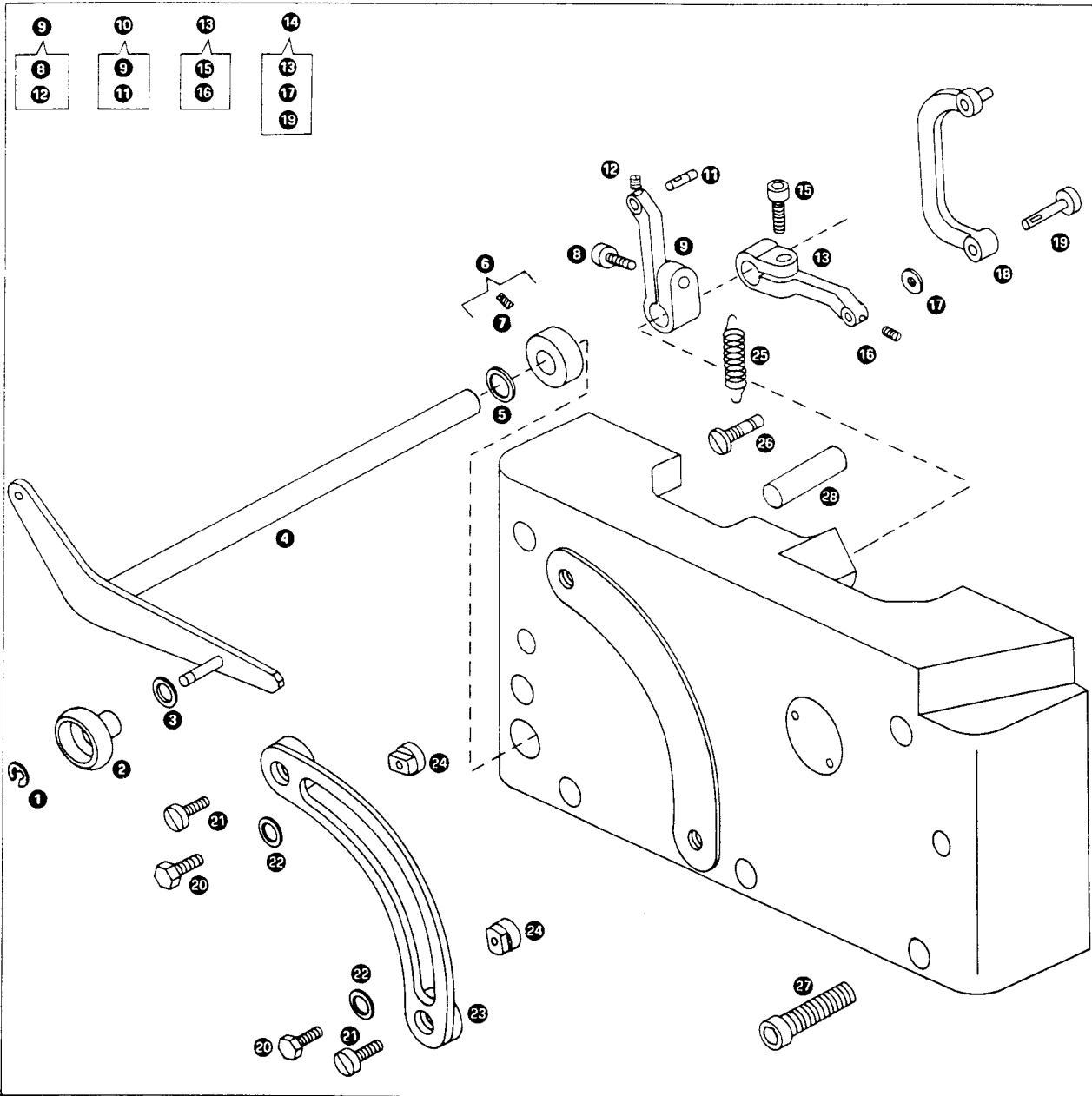
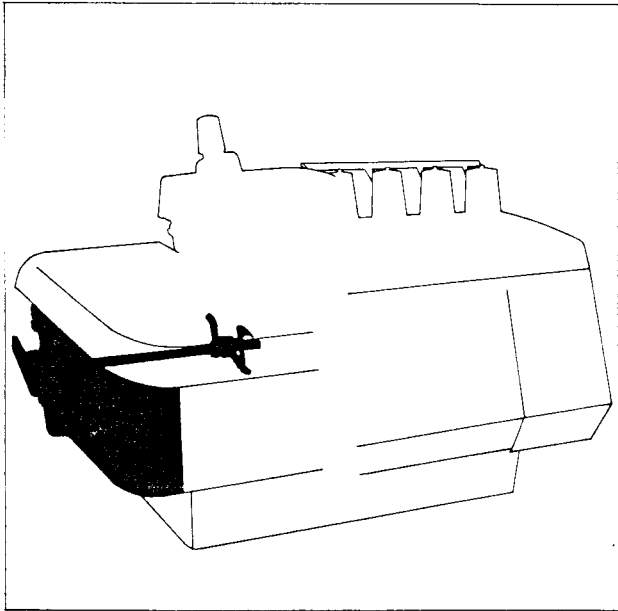
Parts List for 991B Machine

Ref. No.	Part No. For Ordering	Description	Amt. Req.
1	165278	Auxiliary Looper Shaft Oil Wick	
2	107951	Auxiliary Looper Shaft Bushing (rear)	
3	<i>185</i> 60123(806)	Auxiliary Looper Shaft Screw	
4	165276	Auxiliary Looper Shaft with 185(806)	
5	165277	Auxiliary Looper Shaft 165276 with 165278 and two 165260	
6	165260	Auxiliary Looper Shaft Cross Oil Wick	2
7	107974	Auxiliary Looper Shaft Position Collar (rear) with 350719(869)	
8	350719(869)	Auxiliary Looper Shaft Position Collar Screw	2
9	165259	Auxiliary Looper Avoid Driving Arm Hinge Oil Wick	
10	165260	Auxiliary Looper Avoid Driving Arm Hinge Pin Cross Oil Wick	2
11	107960	Auxiliary Looper Avoid Eccentric End Washer	
12	51302(806)	Auxiliary Looper Avoid Eccentric End Washer Securing Screw	2
13	141292(869)	Auxiliary Looper Avoid Eccentric Set Screw	2
14	165259	Auxiliary Looper Avoid Driving Arm Hinge Stud Oil Wick	
15	107826	Auxiliary Looper Avoid Driving Arm Slide Block Collar with two 109927(869)	
16	109927(869)	Auxiliary Looper Avoid Driving Arm Slide Block Collar Set Screw	2
17	107828	Auxiliary Looper Avoid Driving Arm Thrust Washer	
18	141301	Auxiliary Looper Avoid Driving Arm Set Screw	
19	165260	Auxiliary Looper Driving Arm Hinge Stud Cross Oil Wick	
20	108074	Auxiliary Looper Avoid Connecting Link with 107960, 165259 and two 51302(806), 141292(869) and 165260	
21	108073	Auxiliary Looper Avoid Driving Arm with 107826, 141301, 165259 and 165260	
22	141292(869)	Auxiliary Looper Avoid Driving Arm Hinge Stud Securing Screw	
23	165279	Auxiliary Looper Shaft Bushing (front)	
24	108811	Auxiliary Looper Driving Connection with 165273, 350606 and two each 185(803), 114078(830), 114135(830), and 141292(860)	
25	114078(830)	Auxiliary Looper Driving Connection Screw (upper)	2
26	141292(869)	Auxiliary Looper Driving Eccentric Set Screw	2
27	350606	Auxiliary Looper Driving Arm Clamp Screw	
28	185(803)	Auxiliary Looper Driving Connection Locating Plate Screw	2
29	165273	Auxiliary Looper Driving Connection Locating Plate	
30	114135(830)	Auxiliary Looper Driving Connection Screw (lower)	2
31	107851	Auxiliary Looper Carrier with 140228(830) and 109927(869)	
32	140228(830)	Auxiliary Looper Carrier Clamping Screw	
33	109927(869)	Auxiliary Looper Set Screw	
34	108809	Auxiliary Looper	
35	108810	Auxiliary Needle Loop Spreader	
36	51159(806)	Auxiliary Needle Loop Spreader Screw	
37	82462	Auxiliary Looper Shaft Screw Washer	
38	108952	Auxiliary Looper Shaft Position Collar (front) with 350719(869)	



Parts List for 991B Machine

Ref. No.	Part No. For Ordering	Description	Amt. Req.
1	108225	Differential Feed Regulating Lever Thumb Nut Retainer	
2	113194	Differential Feed Regulating Lever Thumb Nut	
3	59456(891)	Differential Feed Regulating Lever Thumb Nut Washer	
4	107857	Differential Feed Regulating Lever	
5	107965	Differential Feed Regulating Lever Shaft Oil Ring	
6	107870	Differential Feed Regulating Lever Shaft Collar with 141292(869)	
7	141292(869)	Differential Feed Regulating Lever Shaft Collar Set Screw	
8	114134(869)	Differential Feed Regulating Lever Return Spring Arm Clamping Screw	
9	108132	Differential Feed Regulating Lever Return Spring Arm with 114134(869) and 141292(869)	
10	108134	Differential Feed Regulating Lever Return Spring Arm 108132 with 108135	
11	108135	Differential Feed Regulating Lever Return Spring Arm Pin	
12	141292(869)	Differential Feed Regulating Lever Return Spring Arm Pin Set Screw	
13	108012	Differential Feed Driving Arm with 114134(869) and 141292(869)	
14	108075	Differential Feed Driving Arm 108012 with 9525 and 107868	
15	114134(869)	Differential Feed Driving Arm Clamping Screw	
16	141292(869)	Differential Feed Driving Arm Stud Set Screw	
17	9525	Differential Feed Driving Arm Stud Washer	
18	108336	Differential Feed Driving Arm Connecting Link	
19	107868	Differential Feed Driving Arm Stud	
20	1209(892)	Differential Feed Regulating Lever Stop Screw	2
21	704(892)	Differential Feed Regulating Plate Securing Screw	2
22	131695(892)	Differential Feed Regulating Lever Stop Screw Washer	2
23	107859	Differential Feed Regulating Plate	
24	107854	Differential Feed Regulating Lever Stop	2
25	108145	Differential Feed Regulating Lever Return Spring	
26	108133	Differential Feed Regulating Lever Return Spring Anchor Pin	
27	350687(869)	Machine Frame End Cover Securing Screw	6
28	165373	Machine Frame End Cover Dowel Pin	2

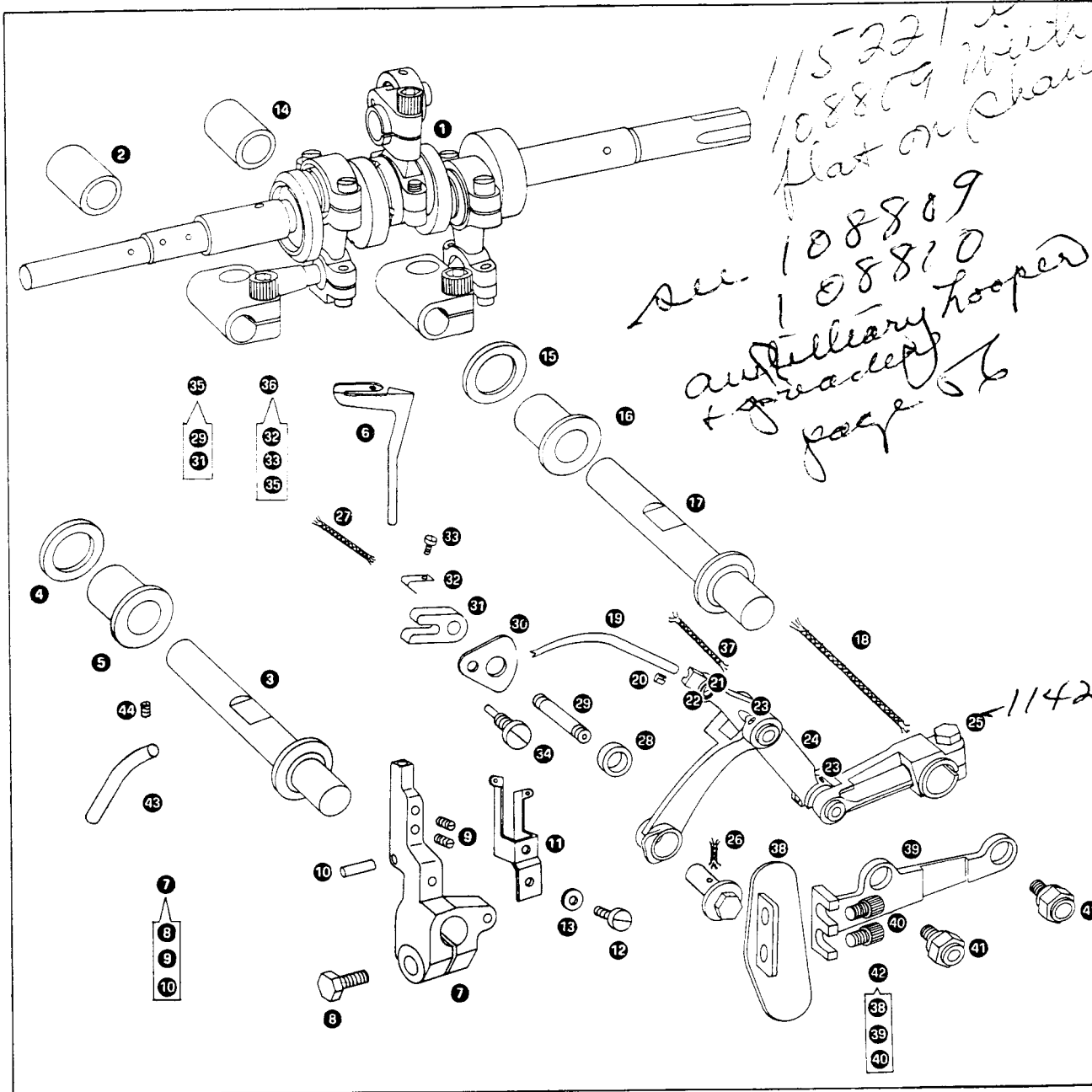
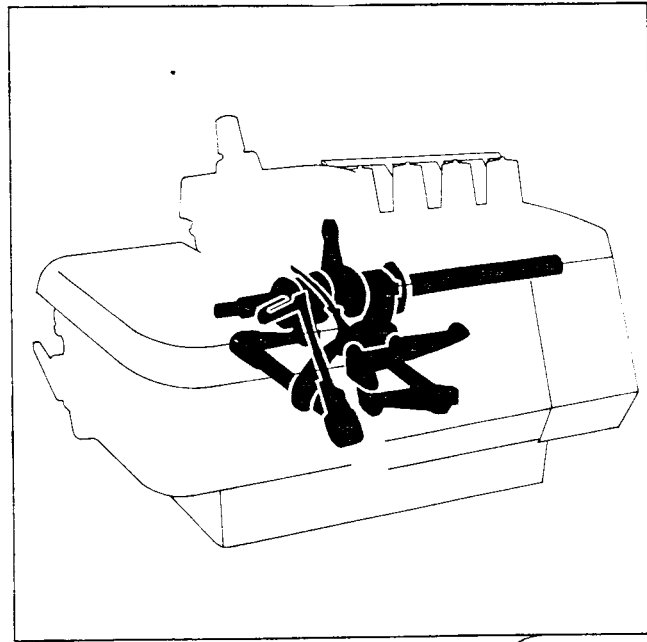


Parts List for 991B Machine

Ref. No.	Part No. For Ordering	Description	Amt. Req.
1	108651	Machine Frame Rotary Shaft with Looper (left and right hand) and Needle Driving Shafts Crank Connections. Note: The major components of this mechanism are selectively mated. Therefore only a complete replacement mechanism will be supplied from Clydebank Factory should any of the major components require replacement. However the Needle Driving Shaft Crank Clamping Screw No. 114091(869), the Looper Shafts Crank Clamping Screws No. 114092(803), the Crank Connections Cap Screws (Lower) No. 171(830), Crank Connections Cap Screws (Upper) No. 140159(830) and the Rotary Shaft Oil Metering Pin No. 107037 can be supplied and fitted as replacements without disturbing the selective mating of the major components.	
2	106477	Looper (left hand) Driving Shaft Bushing (back)	
3	108917	Looper (left hand) Driving Shaft	
4	164053	Looper (left hand) Driving Shaft Crank Thrust Bearing	
5	106478	Looper (left hand) Driving Shaft Bushing (front)	
6	106473	Looper (left hand)	
7	108930	Looper (left hand) Carrier with 140228(830), 82309 and four 141292(869)	
8	140228(830)	Looper (left hand) Carrier Clamping Screw	
9	141292(869)	Looper (left hand) Carrier Set Screw <i>allow head</i>	2
10	82309	Looper (left hand) Stop Pin	
11	108237	Auxiliary Looper Thread Guide	
12	187(809)	Auxiliary Looper Thread Guide Securing Screw	
13	17022	Auxiliary Looper Thread Guide Securing Screw Washer	
14	106477	Looper (right hand) or Spreader Driving Shaft Bushing (back)	
15	164053	Looper (right hand) or Spreader Driving Shaft Crank Thrust Bearing	
16	106492	Looper (right hand) or Spreader Driving Shaft Bushing (front)	
17	108919	Looper (right hand) or Spreader Driving Shaft with 106494	
18	106494	Looper (right hand) or Spreader Driving Shaft Oil Wick	
19	87027	Looper (right hand) (standard for all territories except N.A.I.M.O.) Note: 87058 Spreader is supplied in place of 87027 Looper (right hand) for N.A.I.M.O.	
20	101970	Looper (right hand) or Spreader Position Collar	
21	164068	Looper (right hand) or Spreader Locking Screw Stud	
22	1700(809)	Looper (right hand) or Spreader Locking Screw Stud Nut	
23	109927(869)	Looper (right hand) or Spreader Carrier Connecting Link Hinge Pin Set Screw	
24	108928	Looper (right hand) or Spreader Four-Bar Linkage Mechanism Note: The major components of this mechanism are selectively mated. Therefore only a complete replacement mechanism will be supplied from Clydebank Factory should any of the major components require replacement.	
25	1083(830)	Looper (right hand) Driving Lever Clamping Screw	
26	165349	Looper (right hand) Carrier Connecting Link Adjusting Screw Pin Cap Cross Oil Wick	
27	165259	Looper (right hand) or Spreader Carrier Connecting Link Adjusting Screw Pin Wick	
28	108021	Looper (right hand) or Spreader Carrier Connecting Link Washer	
29	108019	Looper (right hand) or Spreader Carrier Connecting Link Adjusting Screw Pin	
30	108118	Looper (right hand) or Spreader Carrier Connecting Link Stop Nut Oil Seal	
31	165283	Looper (right hand) or Spreader Carrier Connecting Link Adjusting Screw Pin Nut	
32	165489	Looper (right hand) or Spreader Carrier Connecting Link Adjusting Screw Pin Spring Clip	
33	665(803)	Looper (right hand) or Spreader Carrier Connecting Link Adjusting Screw Pin Spring Clip Screw	
34	721(803)	Looper (right hand) or Spreader Carrier Connecting Link Adjusting Screw Pin Pivot Screw	
35	108048	Looper (right hand) or Spreader Carrier Connecting Link Adjusting Screw Pin with 165283	
36	108049	Looper (right hand) or Spreader Carrier Connecting Link Adjusting Screw Pin with 665(803) and 165489	
37	132584	Looper (right hand) or Spreader Carrier Connecting Link Hinge Pin Oil Wick	
38	106496	Looper (right hand) or Spreader Four-Bar Linkage Mechanism Stabiliser	
39	106498	Looper (right hand) or Spreader Four-Bar Linkage Mechanism Stabiliser Support Bracket	
40	350680(869)	Looper (right hand) or Spreader Four-Bar Linkage Mechanism Stabiliser Screw	2
41	114136	Looper (right hand) or Spreader Four-Bar Linkage Mechanism Stabiliser Securing Screw	2
42	106497	Looper (right hand) or Spreader Four-Bar Linkage Mechanism Stabiliser with 106498 and two 350680(869)	
43	108033	Looper (left hand) Thread Tube (lower)	
44	447(830)	Looper (left hand) Thread Tube (lower) Securing Screw	

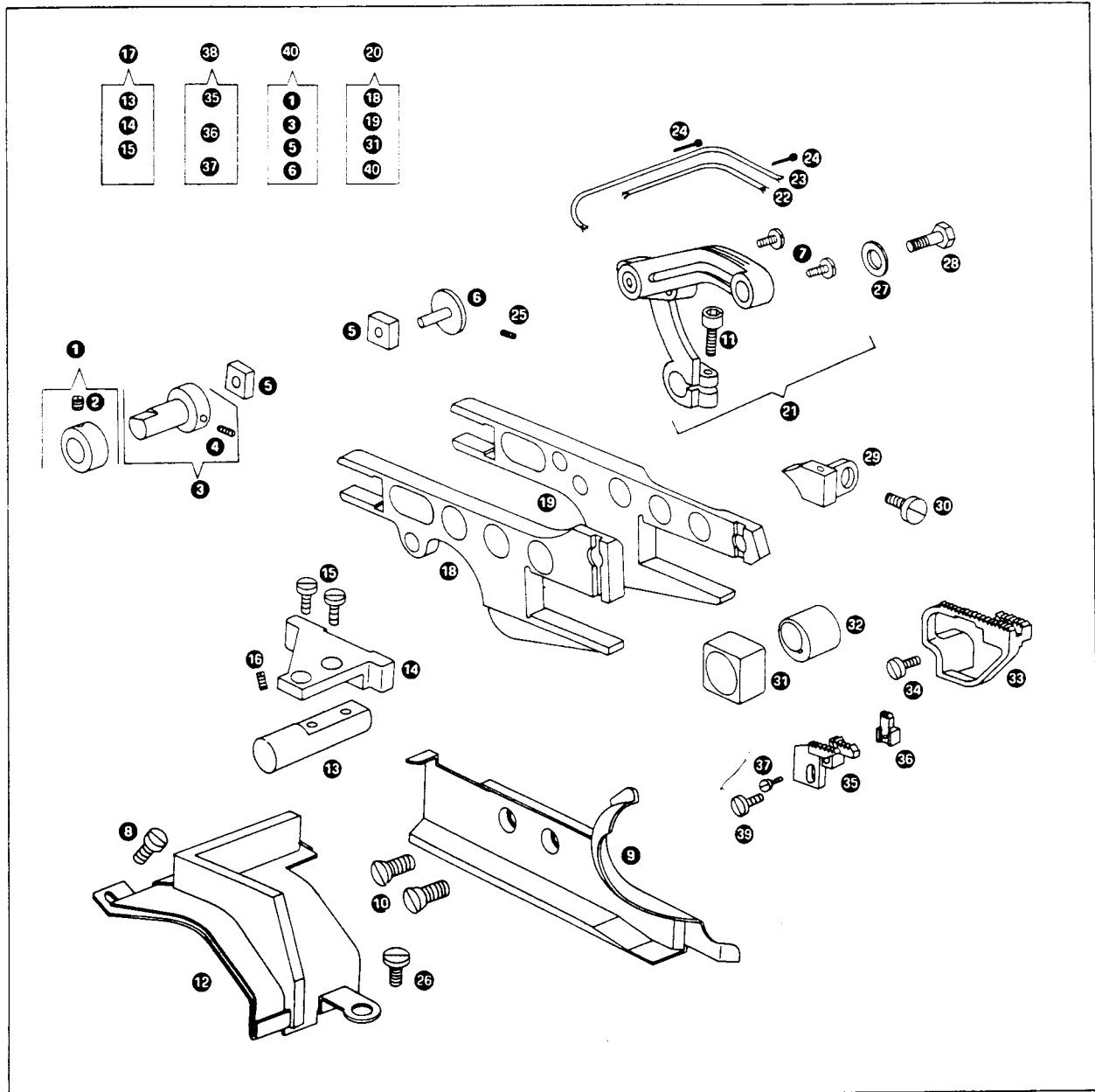
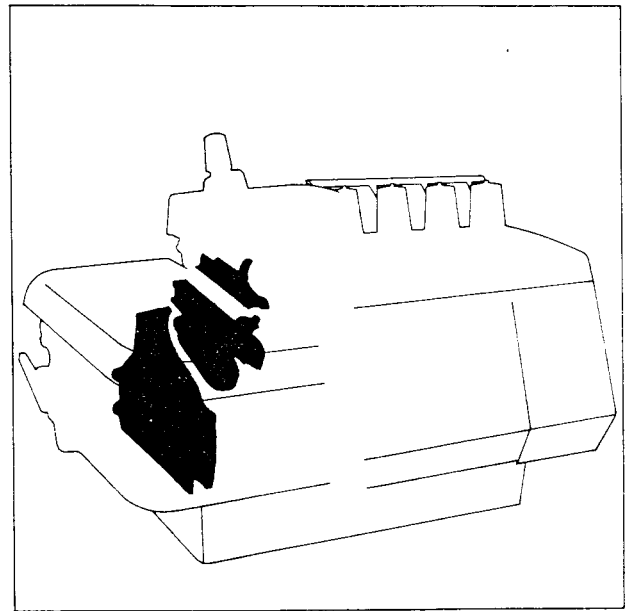
114256 - Copper

115065
 Auxiliary Hooper



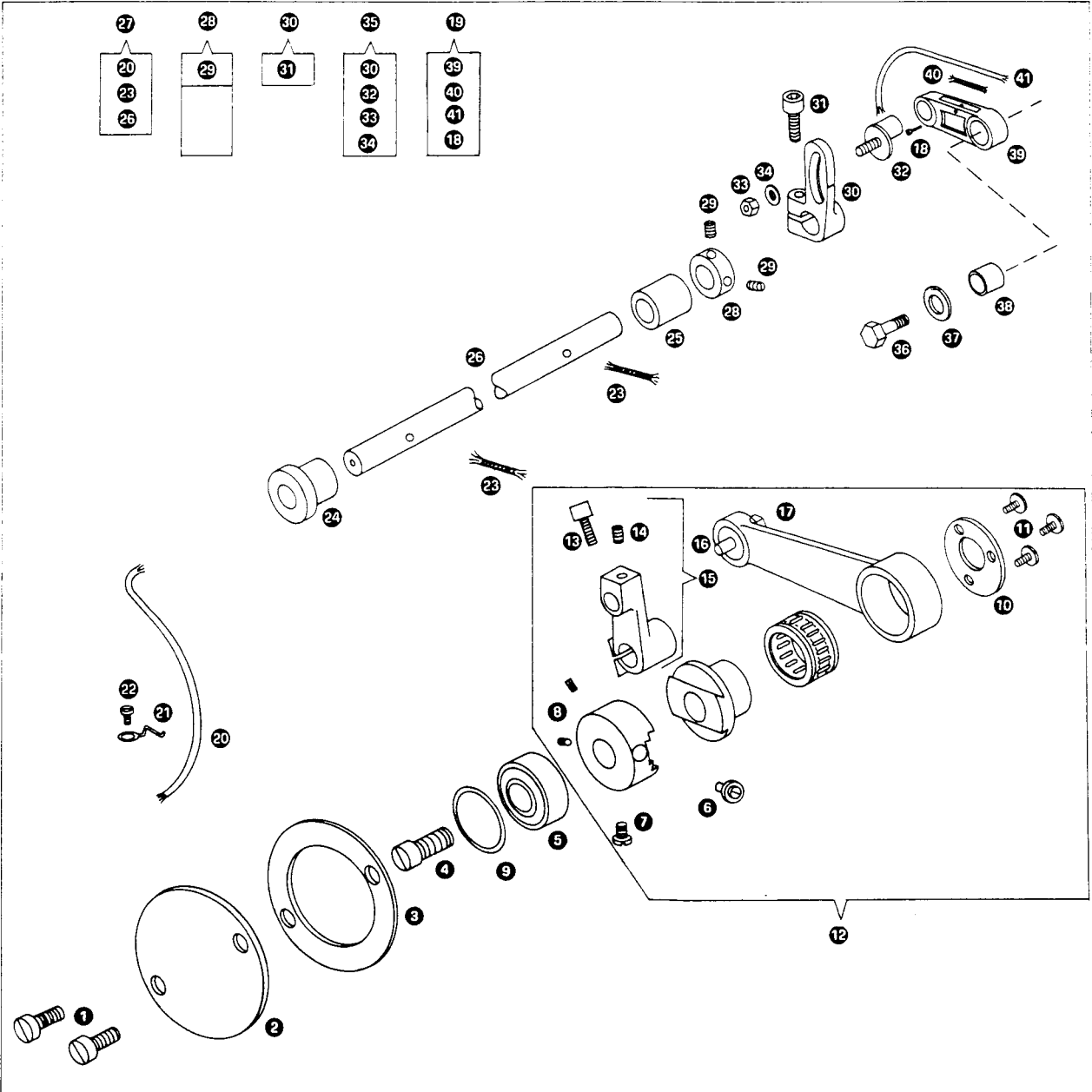
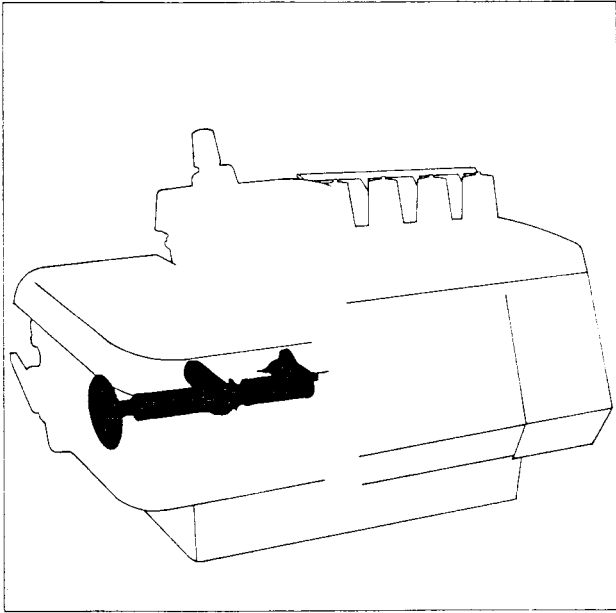
Parts List for 991B Machine

Ref. No.	Part No. For Ordering	Description	Amt. Req.
1	165303	Feed Bar Hinge Pin (eccentric) Collar with 141292(869)	
2	141292(869)	Feed Bar Hinge Pin (eccentric) Collar Set Screw	
3	165301	Feed Bar Hinge Pin (eccentric) with 141292(869)	
4	141292(869)	Feed Bar Hinge Pin (eccentric) Set Screw	
5	164004	Feed Bar Slide Block (back)	2
6	165305	Feed Bar Hinge Pin (eccentric) Positioning Pin	
7	208(830)	Feed (front) Bar Driving Arm Slide Block Plate Screw	2
8	236(806)	Machine Frame Oil Splash Guard Securing Screw (upper)	
9	165392	Machine Frame Oil Splash Guard (top)	
10	1231(818)	Machine Frame Oil Splash Guard (top) Screw	2
11	350606	Feed (front) Bar Driving Arm Screw	
12	107957	Machine Frame Oil Splash Guard	
13	108502	Feed (back) Bar Guide Pin	
14	107970	Feed (back) Bar Guide Bracket	
15	157(830)	Feed (back) Bar Guide Bracket Screw	2
16	141292(869)	Feed (back) Bar Guide Pin Securing Screw	
17	108089	Feed (back) Bar Guide Bracket 107970 with 108502 and two 157(830)	
18	165306	Feed (back) Bar	
19	165326	Feed (front) Bar	
20	108141	Feed (back) and (front) Bars complete Nos. 165326, 108088, 165135 and 165306	
21	107834	Feed (front) Bar Connection with 208(830), 165259, 165330, 350606 and two 165311	
22	165330	Feed (front) Bar Connection Oil Wick (short)	
23	165259	Feed (front) Bar Connection Oil Wick (long)	
24	165311	Feed (front) Bar Connection Oil Wick Retaining Pin	2
25	141292(869)	Feed Bar Hinge Pin (eccentric) Positioning Pin Set Screw	
26	792(804)	Machine Frame Oil Splash Guard Securing Screw (lower)	
27	9525	Feed (front) Bar Connection Screw Washer	
28	114172(803)	Feed (front) Bar Connection Screw	
29	107829	Feed (front) Bar Wearing Plate	
30	1094(806)	Feed (front) Bar Wearing Plate Screw	
31	165135	Feed Bar Slide Block (front)	
32	107185	Feed Lifting Eccentric	
33	108023	Feed (front) Dog (2.5mm)	
	108041	Feed (front) Dog (5mm)	
34	1454(806)	Feed (front) Dog Screw	
35	108010	Feed (back) Dog (2.5mm) Section (left)	
	108094	Feed (back) Dog (5mm) Section (left)	
36	107950	Feed (back) Dog (2.5mm) Section (right)	
	107950	Feed (back) Dog (5mm) Section (right)	
37	1100(830)	Feed (back) Dog Section (right) Screw	
38	108046	Feed (back) Dog (2.5mm) complete Nos. 1100(830), 107950, 108010	
	108095	Feed (back) Dog (5mm) complete Nos. 1100(830), 107950 and 108094	
39	1454(806)	Feed (back) Dog Screw	
40	108088	Feed Bar Hinge Pin (eccentric) 165301 with 165303, 165305 and two 164004	



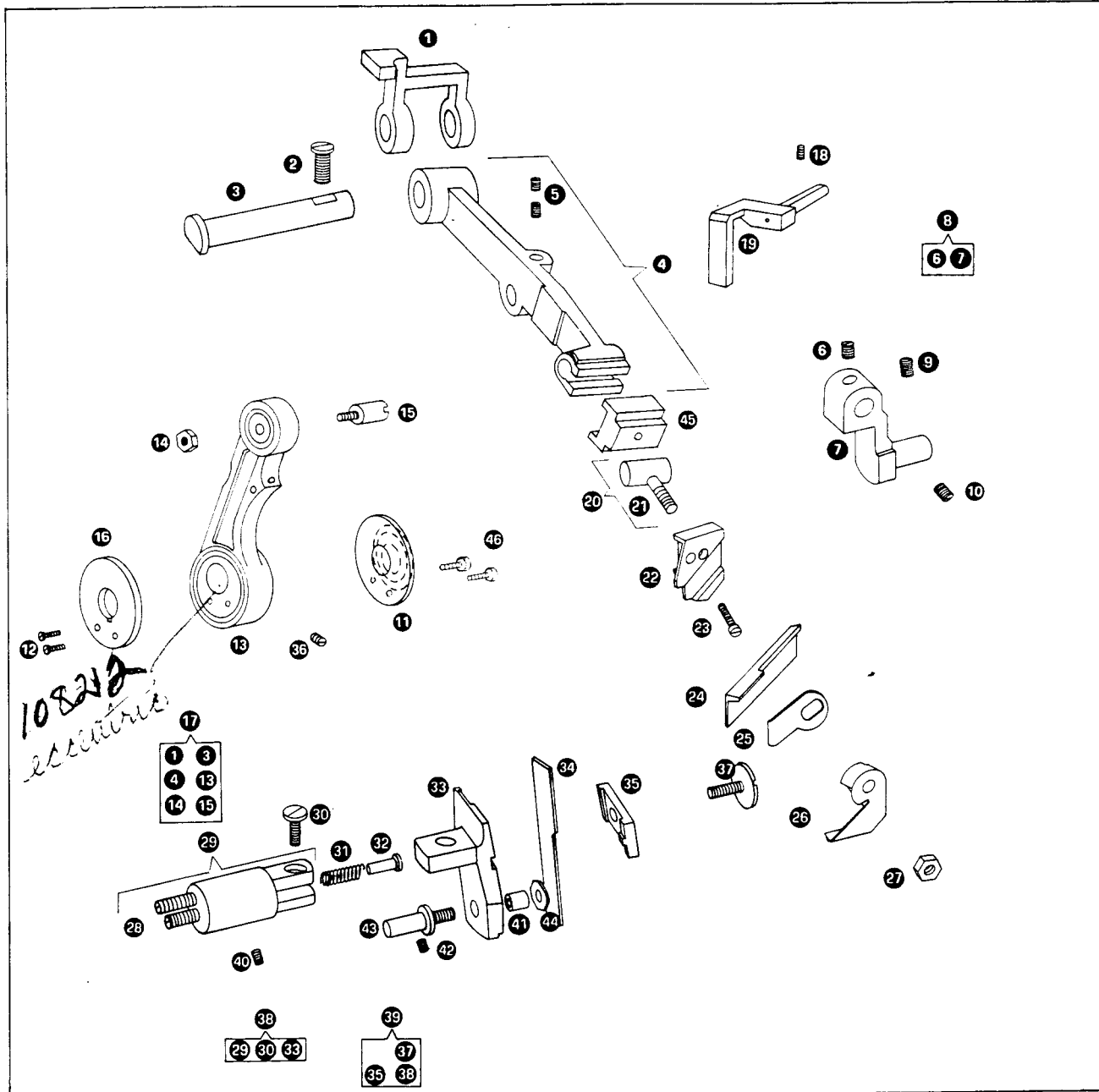
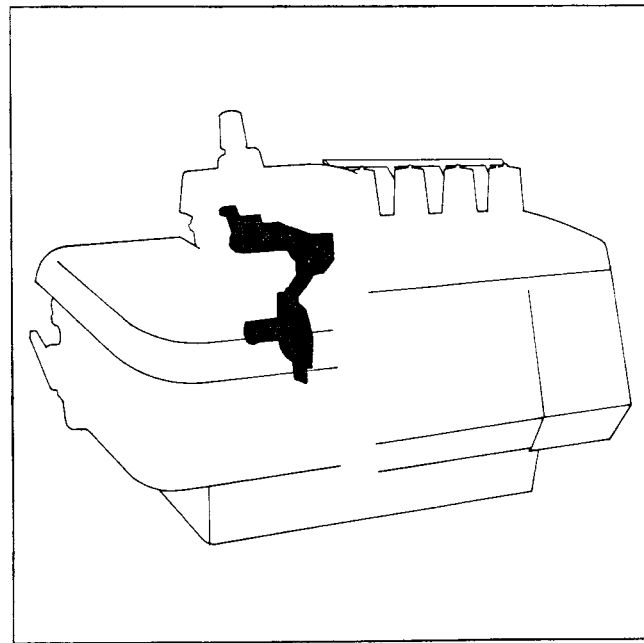
Parts List for 991B Machine

Ref. No.	Part No. For Ordering	Description	Amt. Req.
1	704(809)	Machine Frame Rotary Shaft Bearing (left) Cover Screw	2
2	107953	Machine Frame Rotary Shaft Bearing (left) Cover	
3	108013	Machine Frame Rotary Shaft Bearing (left) Cover Gasket	
4	168(803)	Machine Frame Rotary Shaft Extension Screw	
5	165399	Machine Frame Rotary Shaft Bearing (left)	
6	51145(803)	Feed Eccentric (adjustable) Slide Journal Adjusting Screw	
7	1445(830)	Feed Eccentric (adjustable) Slide Journal Locking Screw	
8	350656(869)	Feed Eccentric (adjustable) Set Screw	2
9	108483	Machine Frame Rotary Shaft Bearing (left) Retaining Ring	
10	165323	Feed Eccentric (adjustable) End Washer	
11	51302(806)	Feed Eccentric (adjustable) End Washer Securing Screw	3
12	108087	Feed Eccentric (adjustable) 1445(803), 51145(803), 107860, 108086, 165323, 165324, two 350656 and three 51302(806)	
13	350606	Feed Driving Arm Clamp Screw	
14	141292(869)	Feed Driving Arm Pin Securing Screw	
15	107863	Feed Driving Arm with 141292(869) and 350606	
16	107847	Feed Driving Arm Pin	
17	1628(809)	Feed Driving Arm Pin Nut	
18	165311	Feed (back) Bar Connection Oil Wick Retaining Pin	
19	165308	Feed (back) Bar Connection 165307 with 165259, 165310 and 165311	
20	165350	Feed Driving Shaft Oil Wick	
21	108232	Feed Driving Shaft Oil Wick Clip	
22	704(819)	Feed Driving Shaft Oil Wick Clip Securing Screw	
23	165349	Feed Driving Shaft Cross Oil Wick	2
24	165351	Feed Driving Shaft Bushing (left)	
25	107827	Feed Driving Shaft Bushing (right)	
26	165347	Feed Driving Shaft	
27	165348	Feed Driving Shaft 165347 with 165350 and two 165349	
28	108160	Feed Driving Shaft Position Collar with two 141301(869)	
29	141301(869)	Feed Driving Shaft Position Collar Set Screw	
30	108159	Feed (back) Bar Driving Arm with 350606(869)	
31	350606(869)	Feed (back) Bar Driving Arm Clamping Screw	
32	165315	Feed (back) Bar Driving Arm Eccentric Stud	
33	1628(809)	Feed (back) Bar Driving Arm Eccentric Stud Nut	
34	17022	Feed (back) Bar Driving Arm Eccentric Stud Nut Washer	
35	108085	Feed (back) Bar Driving Arm 108159 with 1628(809), 17022 and 165315	
36	141420(803)	Feed (back) Bar Connection Screw	
37	131695	Feed (back) Bar Connection Screw Washer	
38	165309	Feed (back) Bar Connection Bushing	
39	165307	Feed (back) Bar Connection	
40	165310	Feed (back) Bar Connection Oil Wick (short)	
41	165259	Feed (back) Bar Connection Oil Wick (long)	



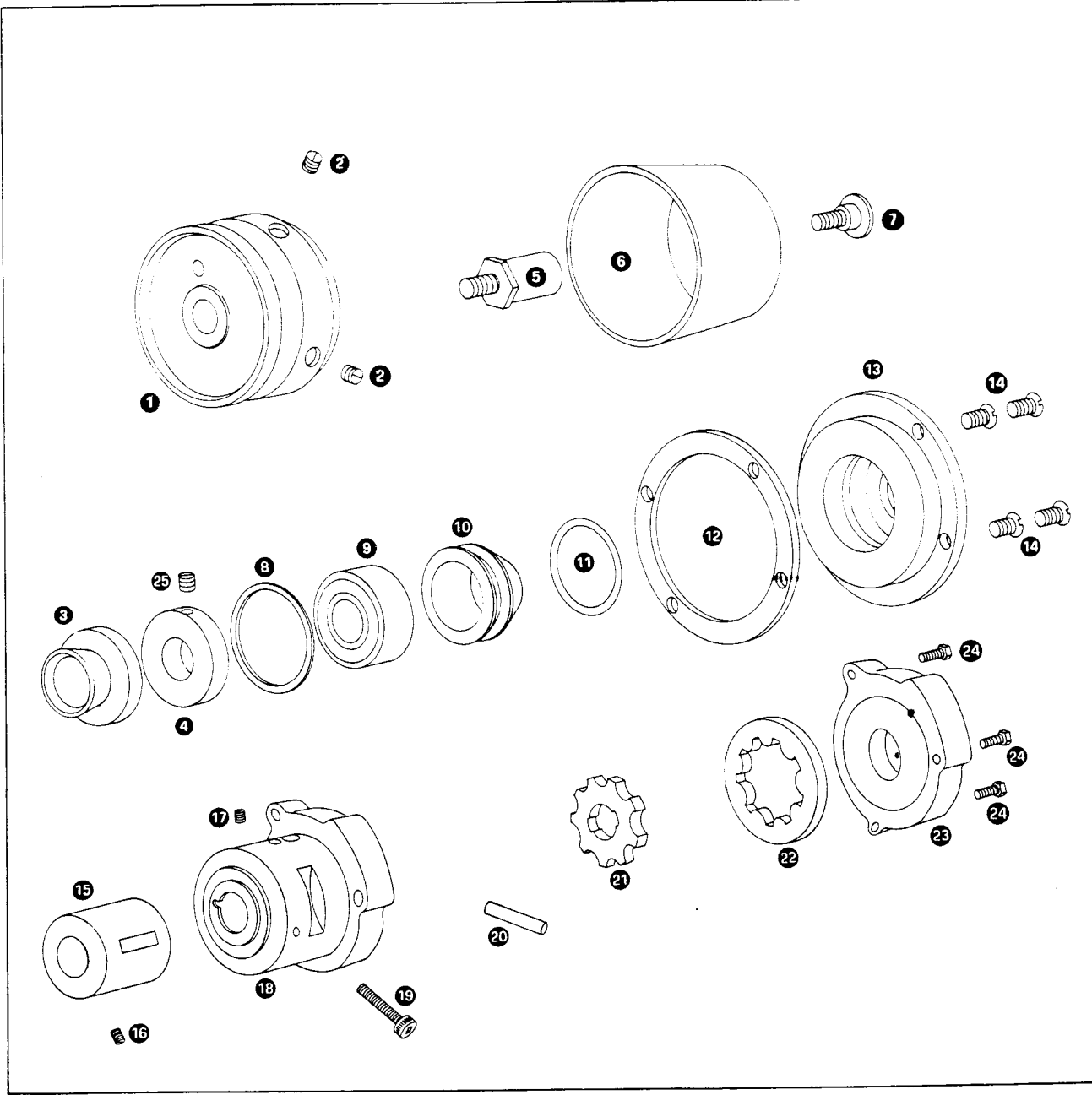
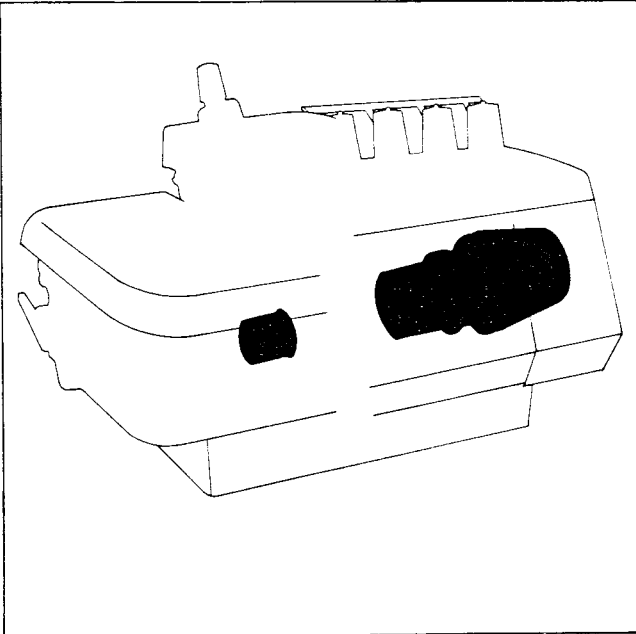
Parts List for 991B Machine

Ref. No.	Part No. For Ordering	Description	Amt Req.
1	107161	Presser Bar Bracket	
2	1143(830)	Knife (movable) Lever Hinge Stud Set Screw	
3	106466	Knife (movable) Lever Hinge Stud	
4	107575	Knife (movable) Lever with two 141292(869)	
5	141292(869)	Knife (movable) Lever Hinge Pin Screw	2
6	1259(830)	Knife (movable) Lever Bearing and Attachment Bracket Screw	
7	87029	Knife (movable) Lever Bearing and Attachment Bracket	
8	87262	Knife (movable) Lever Bearing and Attachment Bracket 87029 with 1259(830)	
9	447(830)	Knife (movable) Lever Bearing Set Screw (long)	
10	624(830)	Knife (movable) Lever Bearing Set Screw (short)	
11	107192	Knife (movable) Lifting Lever Retaining Washer and Oil Sling	
12	51302(806)	Knife (movable) Eccentric End Washer Securing Screw	2
13	107832	Knife (movable) Lifting Lever	
14	1628(809)	Knife (movable) Lever Hinge Pin Bearing Lock Nut	
15	107188	Knife (movable) Lever Hinge Pin	
16	108213	Knife (movable) Eccentric End Washer	
17	108071	Knife (movable) Lever 107575 with 1628(809), 106466, 107161, 107188 and 107832	
18	447(830)	Knife (movable) Lever Guide Set Screw	
19	106464	Knife (movable) Lever Guide	
20	108128	Knife (movable) Holder Adjusting Stud Block with 114144	
21	114144	Knife (movable) Holder Screw Stud	
22	106132	Knife (movable) Holder	
23	141423(819)	Knife (movable) Holder Screw	
24	164550	Knife (movable)	
25	165487	Knife (movable) Guard (upper)	
26	106452	Knife (movable) Guard (lower)	
27	1628(819)	Knife (movable) Holder Screw Stud Nut	
28	50611(803)	Knife (stationary) Holder Position Screw	2
29	164745	Knife (stationary) Holder Body with two 50611(803)	
30	141444(831)	Knife (stationary) Holder Screw	
31	164043	Knife (stationary) Holder Spring	
32	164525	Knife (stationary) Holder Spring Stud	
33	165510	Knife (stationary) Holder	
34	164728	Knife (stationary)	
35	164744	Knife (stationary) Clamping Gib	
36	141301(869)	Knife (movable) Eccentric Set Screw	
37	114032(832)	Knife (stationary) Clamping Gib Screw	
38	165361	Knife (stationary) Holder (adjustable) complete, Nos. 141444(831), 164745 and 165510	
39	165362	Knife (stationary) Holder with Gib complete, Nos. 114032(832), 164744 and 165361	
40	141004(830)	Knife (stationary) Holder Locking Screw	
41	106472	Knife (stationary) Holder Sleeve	
42	114130	Knife (stationary) Sleeve Stud Set Screw	
43	106471	Knife (stationary) Holder Sleeve Stud	
44	113176	Knife (stationary) Holder Sleeve Stud Lock Nut	
45	165353	Knife (movable) Holder Spacer	
46	51302(806)	Knife (movable) Lifting Lever Retaining Washer and Oil Sling Securing Screw	2



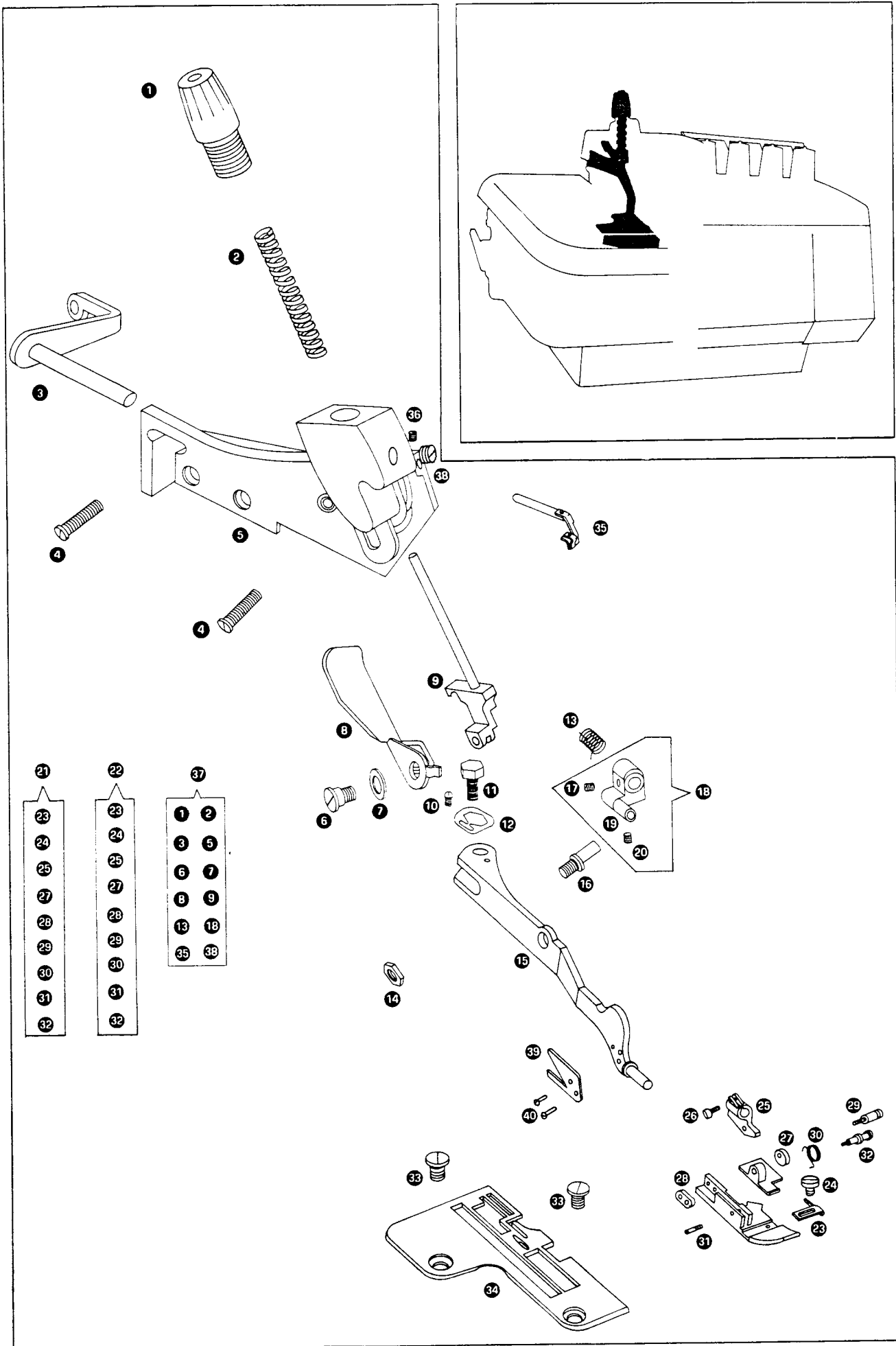
Parts List for 991B Machine

Ref. No.	Part No. For Ordering	Description	Amt. Req.
1	107045	Machine Pulley with two 448(830)	
2	448(830)	Machine Pulley Set Screw	2
3	108445	Oil Pump Cover Oil Seal	
4	108446	Oil Pump Cover Oil Seal Retaining Collar with 1036(830)	
5	114077	Machine Frame Rotary Shaft Screw Stud	
6	107046	Machine Pulley Cap	
7	140416	Machine Pulley Cap Screw	
8	164100	Machine Frame Rotary Shaft Thrust Bearing	
9	139026	Machine Frame Rotary Shaft Ball Bearing	
10	164098	Machine Frame Rotary Shaft Oil Return and Ball Bearing Grease Retainer	
11	107177	Machine Frame Rotary Shaft Ball Bearing Retaining Ring	
12	107034	Machine Frame Rotary Shaft Ball Bearing Housing Gasket	
13	107033	Machine Frame Rotary Shaft Ball Bearing Housing	
14	51369(803)	Machine Frame Rotary Shaft Ball Bearing Housing Screw	4
15	108026	Machine Frame Rotary Shaft Bushing (front)	
16	1036(830)	Machine Frame Rotary Shaft Bushing (front) Set Screw	
17	448(830)	Oil Pump Body Set Screw	
18	107955	Oil Pump Body with 448(830)	
19	350647(869)	Oil Pump Body Clamping Screw	
20	107065	Oil Pump Drive Pin	
21	107066	Oil Pump Rotor (inner)	
22	107067	Oil Pump Rotor (outer)	
		Note: Nos. 107066 and 107067 must be ordered as a set	
23	107064	Oil Pump Cover	
24	1083(805)	Oil Pump Cover Screw	3
25	141292(869)	Oil Pump Cover Oil Seal Retaining Collar Screw	



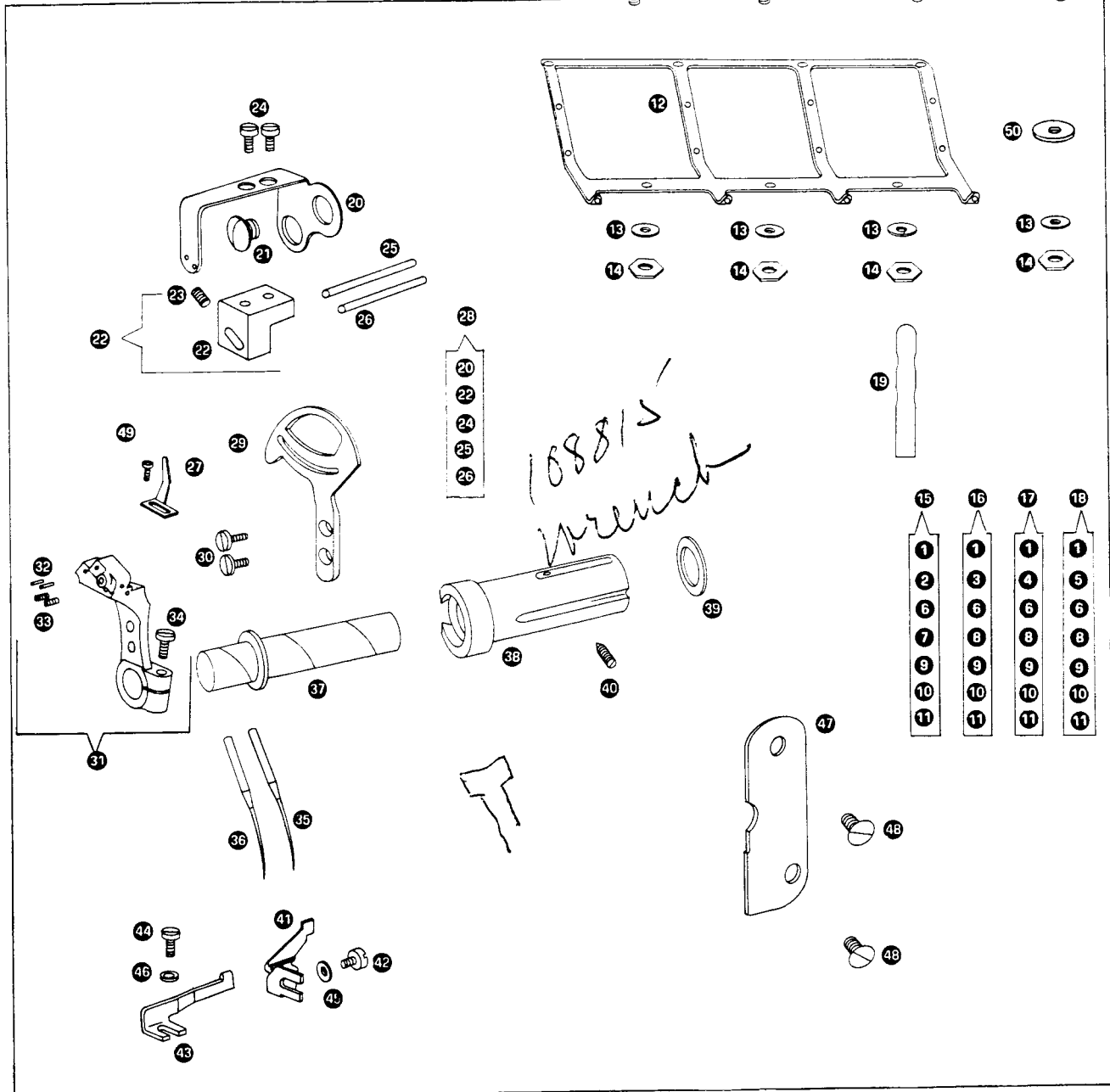
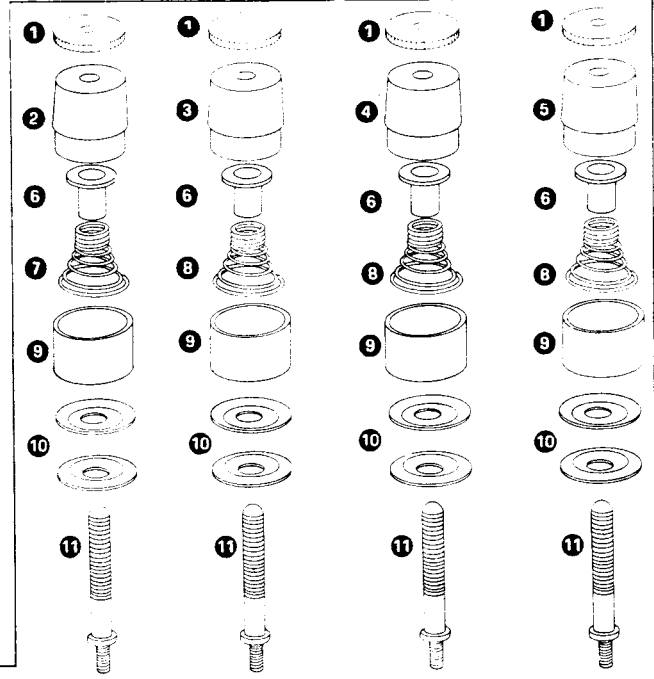
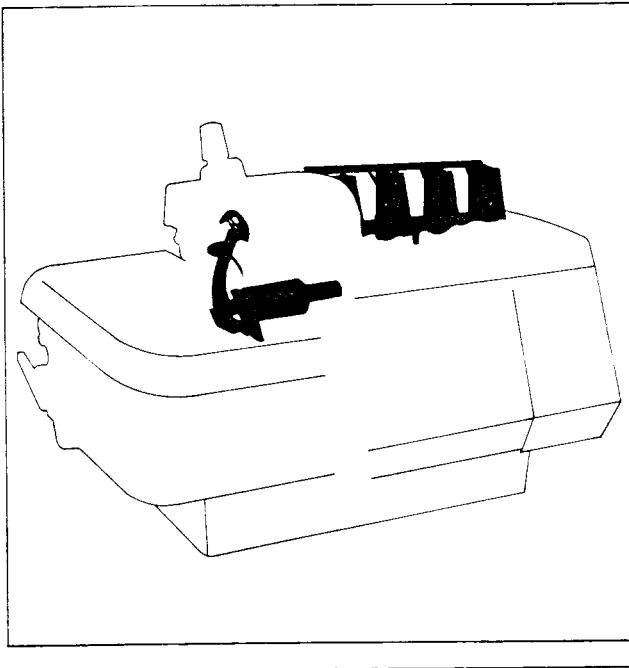
Parts List for 991B Machine

Ref. No.	Part No. For Ordering	Description	Amt. Req.
1	114083	Pressure Regulating Thumb Screw	
2	164416	Presser Bar (upright) Spring (heavy)	
	164144	Presser Bar (upright) Spring (can be supplied as an alternative)	
3	107080	Presser Bar Lifting Lever	
4	50073(809)	Knife (movable) Lever and Presser Bar (upright) Housing Screw	2
5	106456(696)	Knife (movable) Lever and Presser Bar (upright) Housing with 480(830)	
6	114082	Presser Bar (swing-out) Opening Lever Hinge Screw	
7	42436	Presser Bar (swing-out) Opening Lever Hinge Screw Washer	
8	107081	Presser Bar (swing-out) Opening Lever	
9	165421	Presser Bar (upright)	
10	51362(830)	Presser Bar (swing-out) Pivot Screw Locking Plate Screw	
11	140510(819)	Presser Bar (swing-out) Pivot Screw	
12	164351(819)	Presser Bar (swing-out) Pivot Screw Locking Plate	
13	164139	Presser Bar Lifting Lever Spring	
14	1700(809)	Presser Bar (swing-out) Lifting Screw Stud Nut	
15	165419	Presser Bar (swing-out)	
16	164141(809)	Presser Bar (swing-out) Lifting Screw Stud	
17	462(830)	Presser Bar Lifting Bracket Set Screw (short)	
18	106144	Presser Bar Lifting Bracket with 462(830), 624(830) and 51846	
19	51846	Presser Bar Lifting Bracket Roller and Stud	
20	624(830)	Presser Bar Lifting Bracket Set Screw (long)	
21	108090	Presser Foot (2.5mm) complete Nos. 665(806), 107820, 107821, 107822, 107823, 107846, 141435, 165423 and 165424	
22	108093	Presser Foot (5mm) complete Nos. 665(806), 107820, 107821, 107822, 107823, 107846, 141435, 165423 and 165424	
23	165423	Presser Foot Body Guide Plate	
24	665(806)	Presser Foot Body Guide Plate Screw	
25	165424	Presser Foot Clamp (swivel) with 141441	
26	141441	Presser Foot Clamp (swivel) Clamp Screw	
27	107822	Presser Foot Extension (hinged) Screw Stud Adjusting Washer	
28	107823	Presser Foot Extension (hinged) Screw Stud Nut (double)	
29	107846	Presser Foot Extension (hinged) Screw Stud	
30	107820	Presser Foot Extension (hinged) Spring	
31	141435	Presser Foot Clamp (swivel) Screw	
32	107821	Presser Foot Extension (hinged) Hinge Screw Stud	
33	1094(806)	Throat Plate Screw	2
34	107840	Throat Plate (2.5mm)	
	107841	Throat Plate (5mm)	
35	108524	Thread Eyelet (needle thread)	
36	460(830)	Thread Eyelet (needle thread) Set Screw	
37	107866	Knife (movable) Lever and Presser Bar (upright) Housing complete Nos. 42436, 106144, 106456(696), 107080, 107081, 108524, 114082, 114083, 114159, 164139, 164416 and 165421	
38	114159	Pressure Regulating Thumb Screw Lock Screw	
39	108381	Chain Cutter	
40	233(850)	Chain Cutter Screw	



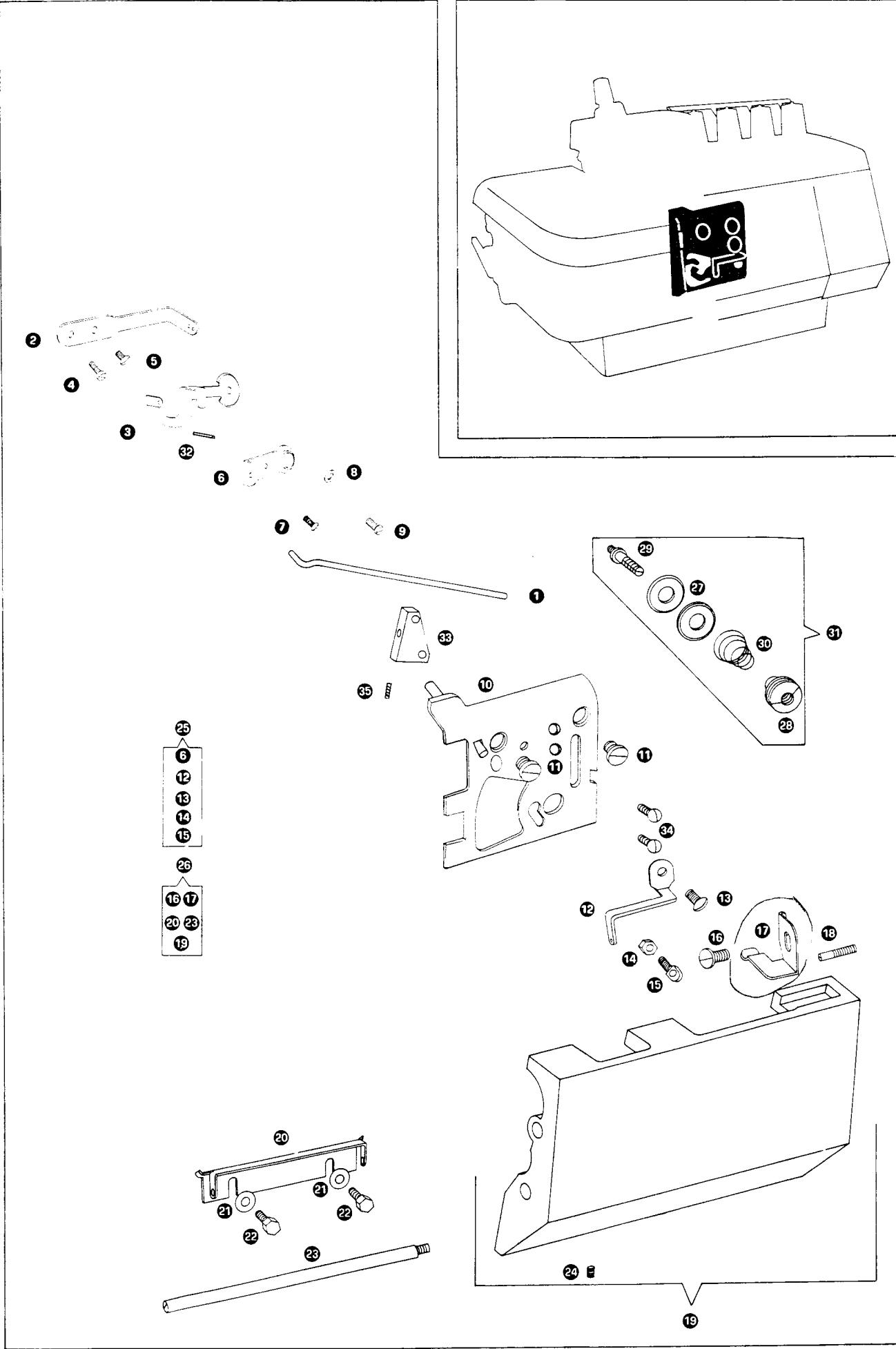
Parts List for 991B Machine

Ref. No.	Part No. For Ordering	Description	Amt. Req.
1	113191(888)	Tension (light and heavy) Regulating Thumb Nut Lock Nut	4
2	113180(431)	Tension (light) Regulating Thumb Nut (red)	
3	113180(430)	Tension (heavy) Regulating Thumb Nut (yellow)	
4	113180(429)	Tension (heavy) Regulating Thumb Nut (green)	
5	113180(624)	Tension (heavy) Regulating Thumb Nut (blue)	
6	107178	Tension (light and heavy) Spring Bushing	4
7	164157	Tension (light) Spring	1
8	107084	Tension (heavy) Spring	3
9	107625	Tension (light and heavy) Spring Cover	4
10	2102	Tension (light and heavy) Disc	8
11	114117(803)	Tension (light and heavy) Screw Stud	4
12	108439	Tension Thread Guide	
13	931084	Tension (light and heavy) Screw Stud Lock Washer	4
14	1700(809)	Tension (light and heavy) Lock Nut	4
15	107086(431)	Tension (light) (red) complete Nos. 107178, 107625, 113180(431), 113191(888), 114117(803), 164157 and two 2102	
16	107085(430)	Tension (heavy) (yellow) complete Nos. 107084, 107178, 107625, 113180(430), 113191(888), 114117(803) and two 2102	
17	107085(429)	Tension (heavy) (green) complete Nos. 107084, 107178, 107625, 113180(429), 113191(888), 114117(803) and two 2102	
18	107085(624)	Tension (heavy) (blue) complete Nos. 107084, 107178, 107625, 113180(624), 113191(888), 114117(803) and two 2102	
19	107102	Thread (needle) Guide Post	
20	108329	Thread Eyelet (needle thread) Bridge	
21	1423(809)	Thread Eyelet (needle thread) Bridge Securing Screw	
22	108379	Thread Eyelet (needle thread) Bridge Tube Support with 109927(869)	
23	109927(869)	Thread Eyelet (needle thread) Bridge Tube Securing Screw	
24	208(829)	Thread Eyelet (needle thread) Bridge Tube Support Securing Screw	2
25	108330	Thread Eyelet (needle thread) Bridge Tube (long)	
26	108331	Thread Eyelet (needle thread) Bridge Tube (short)	
27	108487	Thread (needle) Controller Adjuster	
28	108380	Thread Eyelet (needle thread) Bridge with 108330, 108331, 108379 and two 208(829)	
29	108893	Thread (needle) Controller	
30	399(830)	Thread (needle) Controller Screw	2
31	108136	Needle Carrier (2.5mm) with 350719(869), two 108152 and 853(830)	
	108137	Needle Carrier (5mm) with 350719(869), two 108152 and 853(830)	
32	108152	Needle Stop Pin	2
33	853(830)	Needle Set Screw	
34	350719(869)	Needle Carrier Clamping Screw	
35	Cat. 1431	Needle Size 12	
36	Cat. 6506	Needle Size 12	
37	108921	Needle Driving Shaft	
38	107839	Needle Driving Shaft Bushing	
39	164053	Needle Driving Shaft Bushing Thrust Washer	
40	109876	Needle Driving Shaft Bushing Locating Screw	
41	108018	Needle Guard (overedge needle)	
42	1454(806)	Needle Guard (overedge needle) Screw	
43	108139	Needle Guard (aux. needle) (2.5mm)	
	107849	Needle Guard (aux. needle) (5mm)	
44	1454(806)	Needle Guard (aux. needle) (2.5mm) and (5mm) Screw	
45	175032	Needle Guard (overedge needle) Screw Washer	
46	175032	Needle Guard (aux. needle) (2.5mm) and (5mm) Screw Washer	
47	165406	Machine Frame Wearing Plate	
48	691(803)	Machine Frame Wearing Plate Screw	2
49	51159(806)	Thread (needle) Controller Adjuster Securing Screw	
50	39541	Tension (heavy) Spacer	



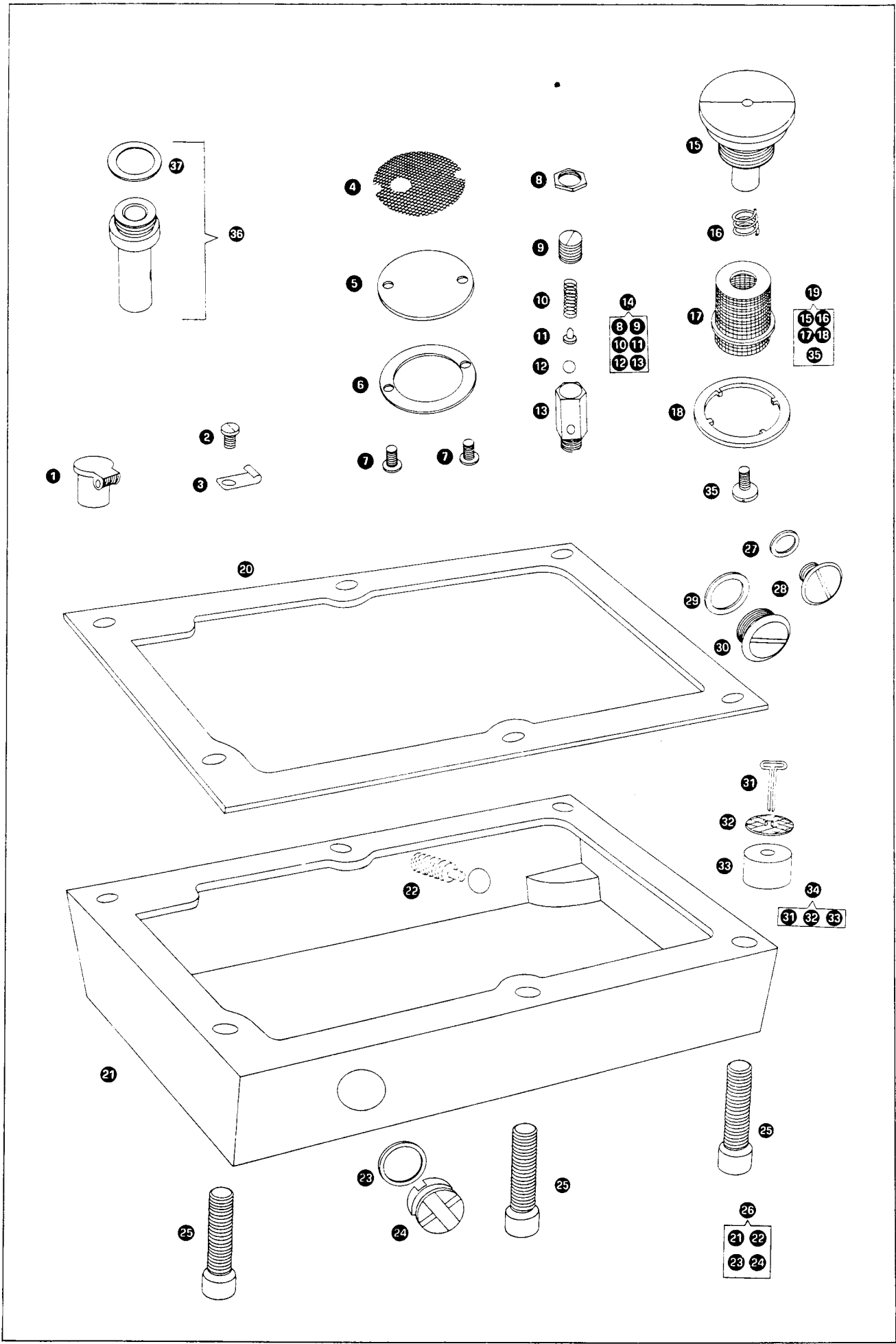
Parts List for 991B Machine

Ref. No.	Part No. For Ordering	Description	Amt. Req.
1	108030	Thread (looper) Plate Thread Tube (long)	
2	108812	Thread (looper) Take-up	
3	164091	Thread (looper, right hand) Take-up with 164555	
4	190(806)	Thread (looper) Take-up Screw (left)	
5	114137(803)	Thread (looper) Take-up Screw (right)	
6	164163	Thread (looper, right hand) Take-up Eyelet (adjustable)	
7	1443(809)	Thread (looper, right hand) Take-up Eyelet (adjustable) Screw	
8	17022	Thread (looper, right hand) Take-up Screw Washer	
9	187(805)	Thread (looper, right hand) Take-up Screw	
10	108031	Thread (looper) Plate	
11	1239	Thread (looper) Plate Screw	2
12	164449	Thread (looper, right hand) Thread Eyelet (movable)	
13	1443(809)	Thread (looper, right hand) Thread Eyelet (movable) Screw	
14	1607(809)	Thread (looper, right hand) Thread Eyelet (stationary) Nut	
15	164165	Thread (looper, right hand) Thread Eyelet (stationary)	
16	1094(819)	Thread (looper) Plate Cover Latch Spring Screw	
17	107097	Thread (looper) Plate Cover Latch Spring	
18	107098	Thread (looper) Plate Cover Latch Spring Pin	
19	108035	Thread (looper) Plate Cover with 109927(869)	
20	107095	Thread (looper) Plate Cover Hinge Bracket	
21	175032	Thread (looper) Plate Cover Hinge Bracket Screw Washer	2
22	1209(819)	Thread (looper) Plate Cover Hinge Bracket Screw	2
23	107096	Thread (looper) Plate Cover Hinge Pin	
24	109927(869)	Thread (looper) Plate Cover Hinge Pin Locking Screw	
25	108032	Thread (looper) Plate 108031 with 1607(809), 164163, 164165, 164449 and two 1443(809)	
26	108036	Thread (looper) Plate Cover 108035 with 1094(819), 107095, 107096 and 107097	
27	2455	Tension (auxiliary looper) Disc	2
28	1562(809)	Tension (auxiliary looper) Regulating Thumb Nut	
29	418(809)	Tension (auxiliary looper) Screw Stud	
30	165433	Tension (auxiliary looper) Spring	
31	165432	Tension (auxiliary looper) complete	
32	164555	Thread (looper, right hand) Take-up Guide Wire	
33	108769	Thread (looper) Plate Thread Tube (long) Support	
34	330(809)	Thread (looper) Plate Thread Tube (long) Support Securing Screw	2
35	109927(869)	Thread (looper) Plate Thread Tube (long) Securing Screw	



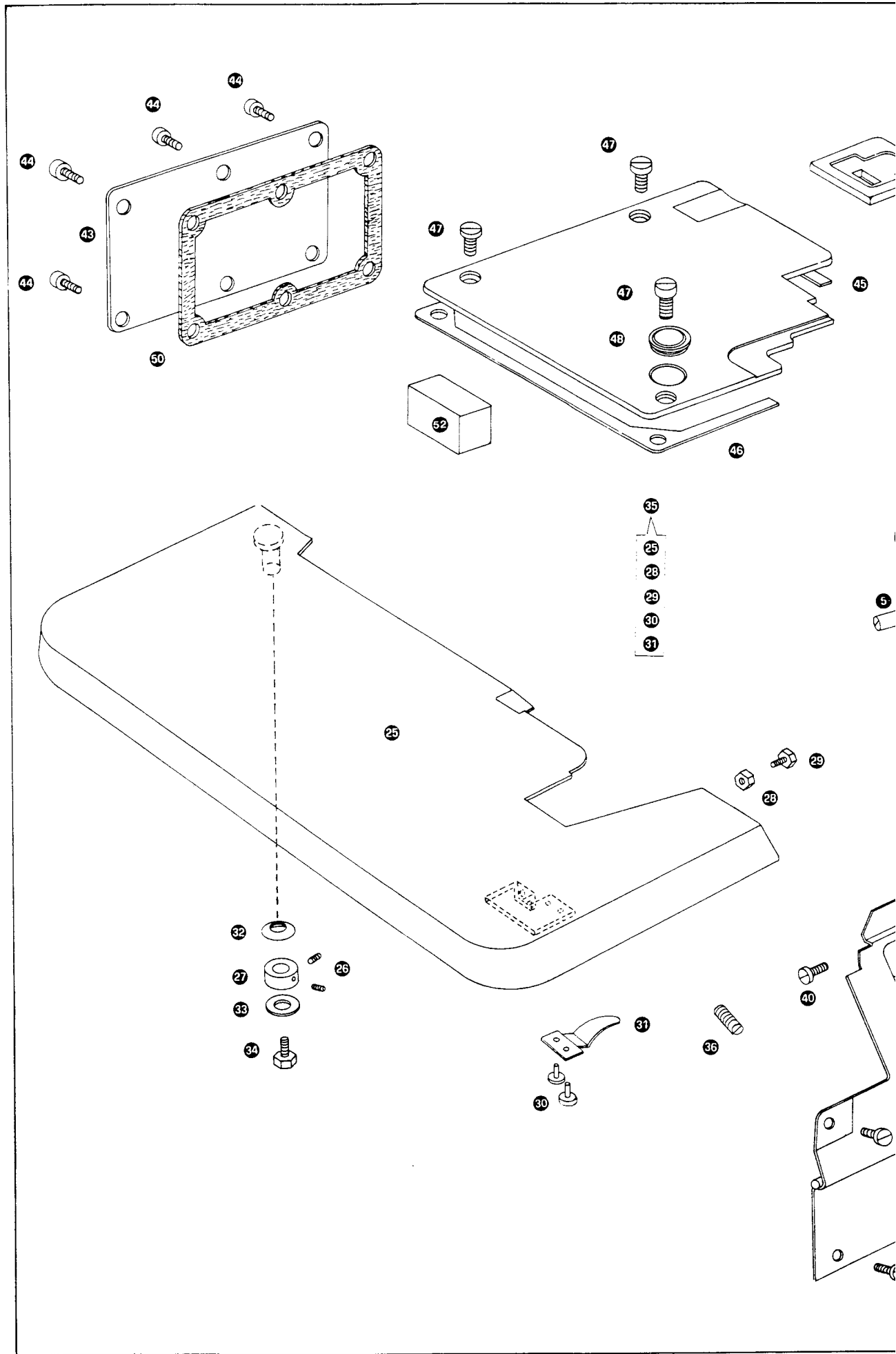
Parts List for 991B Machine

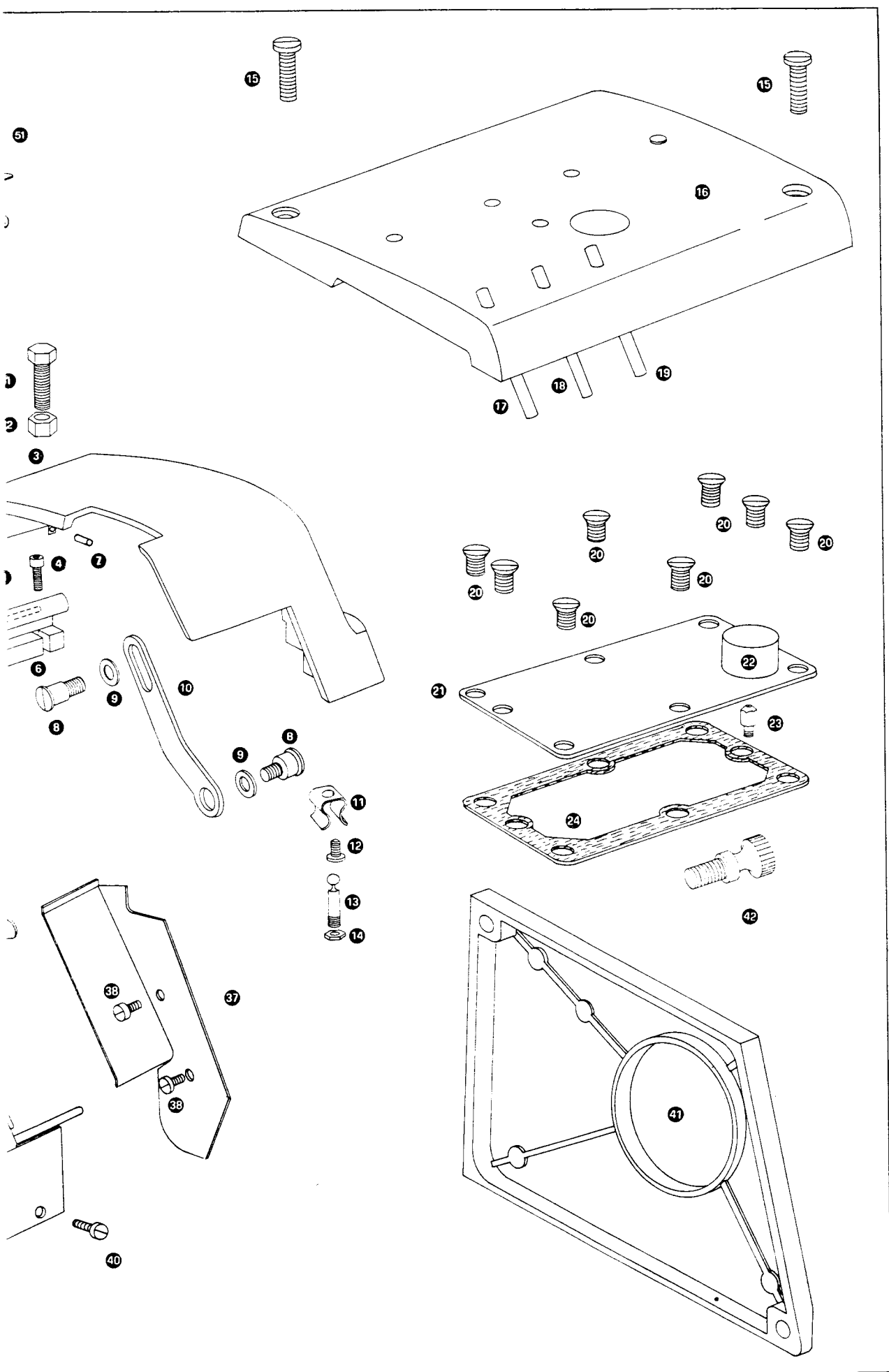
Ref. No.	Part No. For Ordering	Description	Amt. Req.
1	108040	Oil Filler	
2	225(819)	Looper (right hand) Carrier Connecting Link Adjusting Screw Pin Wick Clip Securing Screw	
3	20822	Looper (right hand) Carrier Connecting Link Adjusting Screw Pin Wick Clip	
4	165384	Machine Frame Oil Drain Plate Screen	
5	165519	Machine Frame Oil Drain Plate Filter (felt)	
6	165395	Machine Frame Oil Drain Plate	
7	1454(805)	Machine Frame Oil Drain Plate Screw	2
8	113179	Oil Pump Relief Valve Spring Screw Stud Locking Nut	
9	114081	Oil Pump Relief Valve Spring Screw Stud	
10	107078	Oil Pump Relief Valve Spring	
11	107077	Oil Pump Relief Valve Plunger	
12	107075	Oil Pump Relief Valve	
13	107076	Oil Pump Relief Valve Body	
14	107079	Oil Pump Relief Valve complete Nos. 107075, 107076, 107077, 107078, 113179 and 114081	
15	114080	Oil Pump Suction Filter Plug Screw	
16	108104	Oil Pump Suction Filter Tension Spring	
17	108113	Oil Pump Suction Filter	
18	107074	Oil Pump Suction Filter Hole Plug Screw Seal (O-ring)	
19	108063	Oil Pump Suction Filter complete Nos. 107074, 108113, 108104, 1239(805) and 114080	
20	107070	Oil Reservoir Gasket	
21	107068	Oil Reservoir	
22	107204	Oil Reservoir Drain Plug	
23	106401	Oil Reservoir Oil Sight Gauge Seal (O-ring)	
24	107071	Oil Reservoir Oil Sight Gauge	
25	350744(869)	Oil Reservoir Screw	6
26	107069	Oil Reservoir 107068 with 106401, 107071 and 107204	
27	107158	Machine Frame Oil Pressure Gauge Connection Plug Gasket	
28	107029	Machine Frame Oil Pressure Gauge Connection Plug	
29	108656	Oil Pump Body Clamping Screw Hole Plug Screw Gasket	
30	114038(809)	Oil Pump Body Clamping Screw Hole Plug Screw	
31	165157	Oil Return Filter (front) Fastener	
32	107898	Oil Return Filter (front) Screen	
33	149224	Oil Return Filter (front) Pad	
34	107169	Oil Return Filter (front) complete Nos. 107898, 149224 and 165157	
35	1239(805)	Oil Pump Suction Filter Retaining Screw	
36	107891	Oil Pump Suction Pipe with 108656	
37	108656	Oil Pump Suction Pipe Gasket	



Parts List for 991B Machine

Ref. No.	Part No. For Ordering	Description	Amt. Req.
1	109898(832)	Presser Bar Lifting Lever Stop Screw	
2	1637(810)	Presser Bar Lifting Lever Stop Screw Nut	
3	106458(696)	Knife (movable) Lever and Presser Bar (upright) Housing Cover (hinged)	
4	114073	Knife (movable) Lever and Presser Bar (upright) Housing Cover Hinge Bracket Screw	2
5	106460	Knife (movable) Lever and Presser Bar (upright) Housing Cover Hinge Pin	
6	106459(696)	Knife (movable) Lever and Presser Bar (upright) Housing Cover Hinge Bracket	
7	108436	Knife (movable) Lever and Presser Bar (upright) Housing Cover Hinge Pin Locking Pin	
8	114082(819)	Knife (movable) Lever and Presser Bar (upright) Housing Cover Stop Plate Screw	2
9	42436	Knife (movable) Lever and Presser Bar (upright) Housing Cover Stop Plate Screw Washer (quantity as required)	
10	106463	Knife (movable) Lever and Presser Bar (upright) Housing Cover Stop Plate	
11	106461	Knife (movable) Lever and Presser Bar (upright) Housing Cover Latch Spring	
12	227(819)	Knife (movable) Lever and Presser Bar (upright) Housing Cover Latch Spring Screw	
13	106462	Knife (movable) Lever and Presser Bar (upright) Housing Cover Latch Spring Pin	
14	113176(819)	Knife (movable) Lever and Presser Bar (upright) Housing Cover Latch Spring Pin Lock Nut	
15	50073(809)	Machine Frame Top Cover Screw	2
16	108034	Machine Frame Top Cover with 108014 and two 107090	
17	107090	Looper (left hand) Thread Tube (upper)	
18	107090	Thread (looper, right hand) Tube (upper)	
19	108014	Thread (auxiliary looper) Tube (upper)	
20	1094(850)	Machine Frame Top Cover Closing Plate Screw	8
21	107042	Machine Frame Top Cover Closing Plate with 107059	
22	107059	Oil Flow Indicator	
23	107060	Oil Flow Indicator Nozzle	
24	107044	Machine Frame Top Cover Closing Plate Gasket	
25	165514	Cloth Plate	
26	114224	Cloth Plate Position Collar Set Screw	2
27	165290	Cloth Plate Position Collar with two 114224	
28	1700(809)	Cloth Plate Position Bracket Screw Nut	
29	51408(832)	Cloth Plate Position Bracket Screw	
30	219(809)	Cloth Plate Lock Spring Screw	2
31	165287	Cloth Plate Lock Spring	
32	125399	Cloth Plate Hinge Stud Friction Washer	
33	39541	Cloth Plate Hinge Stud Washer	
34	1209(809)	Cloth Plate Hinge Stud Washer Retaining Screw	
35	165292	Cloth Plate complete Nos. 1700(809), 51408(832), 165514, 165287 and two 219(809)	
36	1250(830)	Cloth Plate Lock Spring Retaining Screw Stud	
37	108029	Chip Guard (movable)	
38	1443(892)	Chip Guard (movable) Screw	2
39	107973	Chip Guard (stationary)	
40	1238(892)	Chip Guard (stationary) Screw	4
41	106430	Belt Cover	
42	114142(809)	Belt Cover Screw	2
43	107954	Machine Frame Closing Plate (rear)	
44	704(892)	Machine Frame Closing Plate (rear) Screw	6
45	108016	Machine Frame Oil Splash Cover (top) with 108022	
46	108022	Machine Frame Oil Splash Cover (top) Gasket	
47	140150	Machine Frame Oil Splash Cover (top) Securing Screw	3
48	108373	Machine Frame Oil Splash Cover (top) Access Plug	
49	108214	Machine Frame Oil Splash Seal Support	
50	108228	Machine Frame Closing Plate (rear) Gasket	
51	1443(809)	Machine Frame Oil Splash Seal Support Securing Screw	
52	108630	Machine Frame Oil Seal	
Not illustrated: 108039		Machine Frame Top Cover Assembly Nos. 107086, 107102, 108439, 108014, two 107090, three 107085 and four each 1700(809) and 931084	







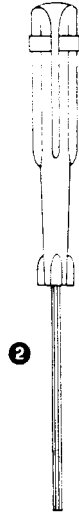
Parts List for 991B Machine—Accessories

Ref. No.	Part No. For Ordering	Description	Amt. Req.
Supplied with Machine			
1	161294	Screw Driver (plastic handle) (large)	
2	108451	Wrench (plastic handle) Allen Wrench 5/64 inch (with plastic handle)	
3	108148	Accessory Box (plastic)	
4	108123	Belt Cover (rear)	
5	—	Belt Cover (rear) Wood Screw 3/8 inch (10mm) No. 6 R.H.	4
6	164164	Thread (looper, right hand) Thread Eyelet (movable)	
7	820193-002	Wrench for 1/16 inch (1.6mm) socket head screw	
	820193-005	Wrench for 1/8 inch (3.2mm) socket head screw	
	108452	Wrench for 5/32 inch (4mm) socket head screw	
	820193-007	Wrench for 3/16 inch (4.8mm) socket head screw	
	820193-009	Wrench for 3/32 inch (2.4mm) socket head screw	
	820193-010	Wrench for 7/32 inch (5.6mm) socket head screw	
8	68547	Wrench	
9	10875	Wrench (flat)	
10	164203	Oil Pump Suction Filter Hole Plug Screw Extractor	
11	164196	Threader	6
12	164550	Knife (movable)	
13	Cat. 1431	Needles, size 12	6
14	108057	Tweezers	
15	164728	Knife (stationary)	
16	81350-011	Tin of Oil (1 pint, 0.57 litres, type 'H' Oil)	
17	108065	Oil Dispenser	
18	108147	Oil Funnel	
19	107627	Lint Brush	
20	Cat. 6506	Needles, size 12	6
21	108433	Feeler Gauge	
22	108777	Combination Wrench	
23	228476	Screw Driver	
Available at an Extra Charge			
24	87027	Looper (right hand) (supplied with accessories for N.A.I.M.O.)	
25	87058	Spreader (supplied with accessories for all territories except N.A.I.M.O.)	
—	108058	Dust Cover (not illustrated)	
26	107936	Oil Pressure Gauge	
27	108224	Earthing Wire	
28	49109	Earthing Wire Washer	
29	701679	Earthing Wire Lock Washer	
30	176(809)	Earthing Wire Screw	
31	108592	Looper (left hand) Gauge	
32	108593	Auxiliary Looper Gauge	
33	108650	Auxiliary Looper Shaft Position Gauge with 141292(869)	
34	141292	Auxiliary Looper Shaft Position Gauge Securing Screw	
35	108586	Looper (right hand) and Needle Carrier Height Gauge	
36	108817	Auxiliary Looper Timing Gauge	

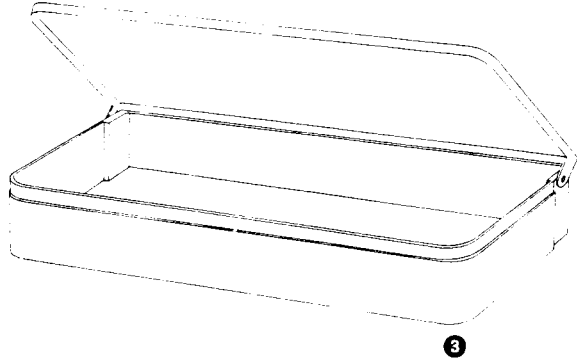
SUPPLIED WITH MACHINE



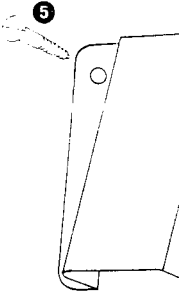
1



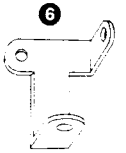
2



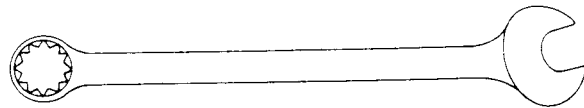
3



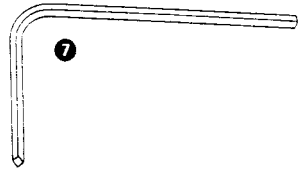
4



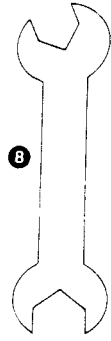
5



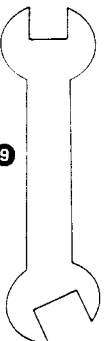
22



7

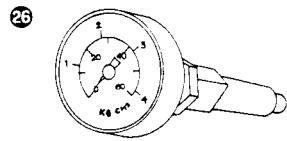


8

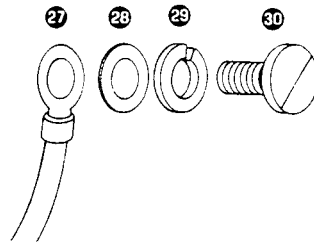


9

AVAILABLE AT EXTRA CHARGE



26

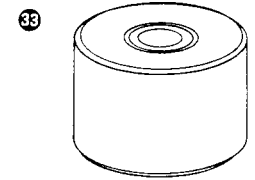


27

28

29

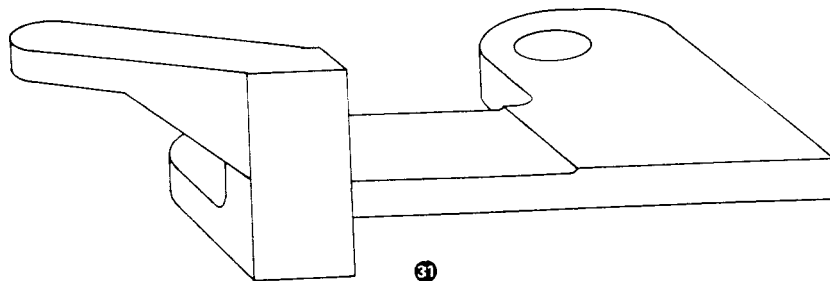
30



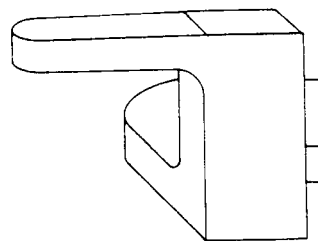
33

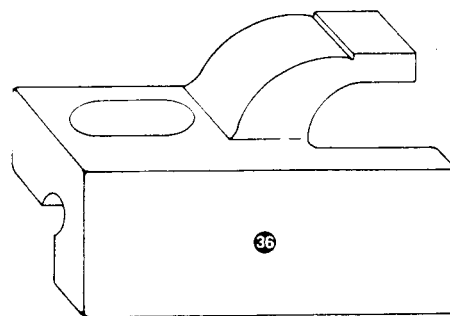
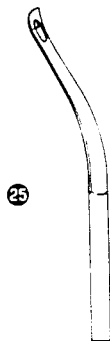
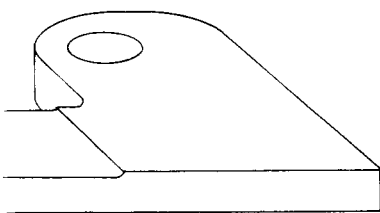
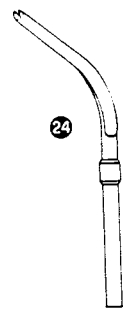
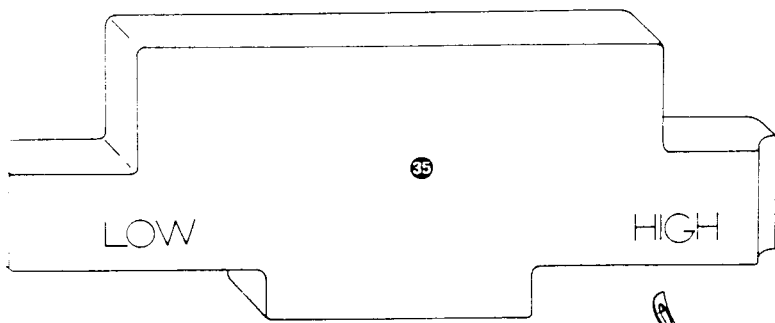
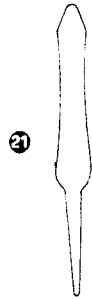
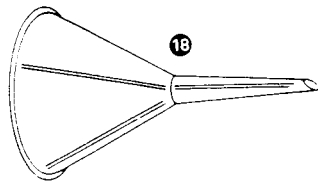
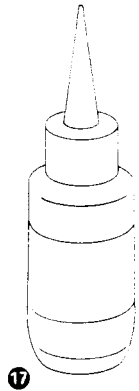
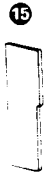
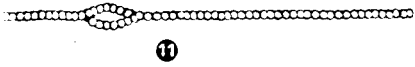
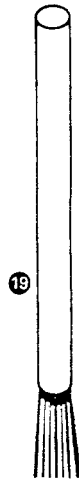
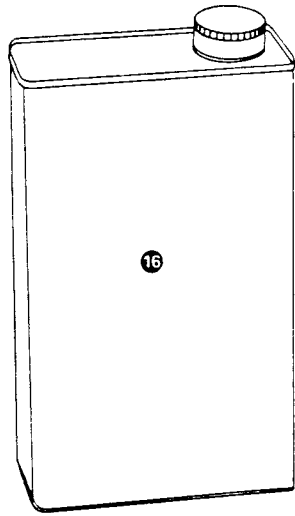
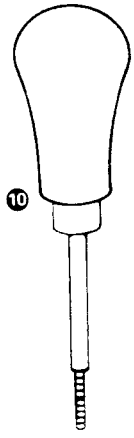


34



31



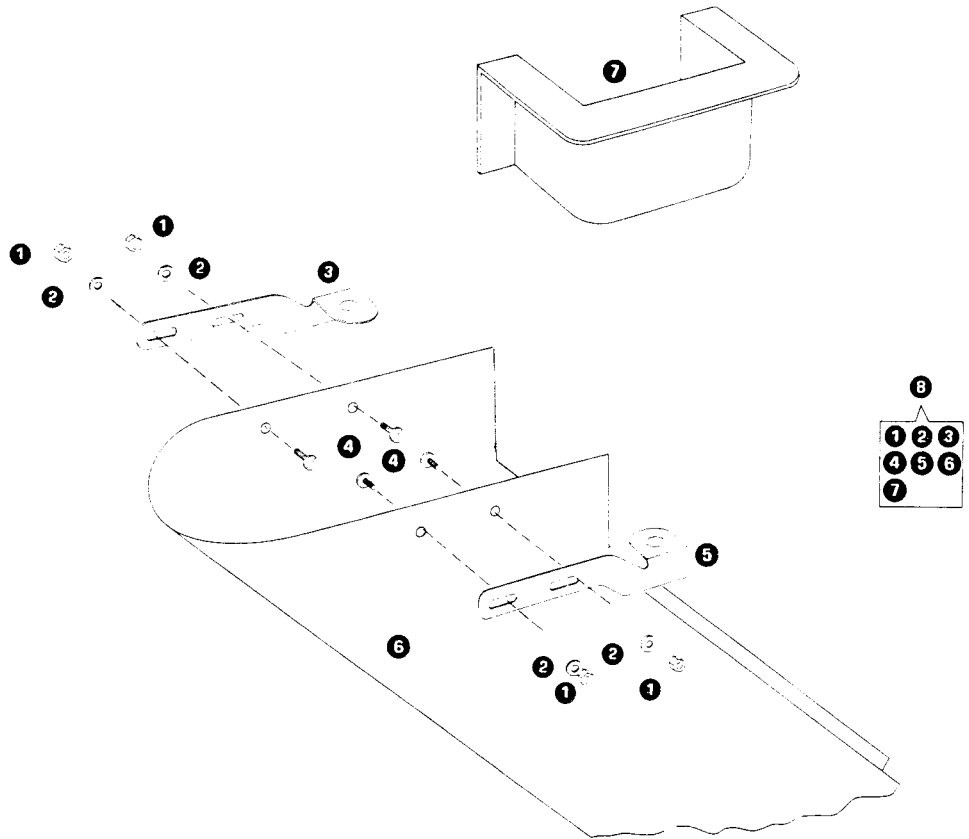




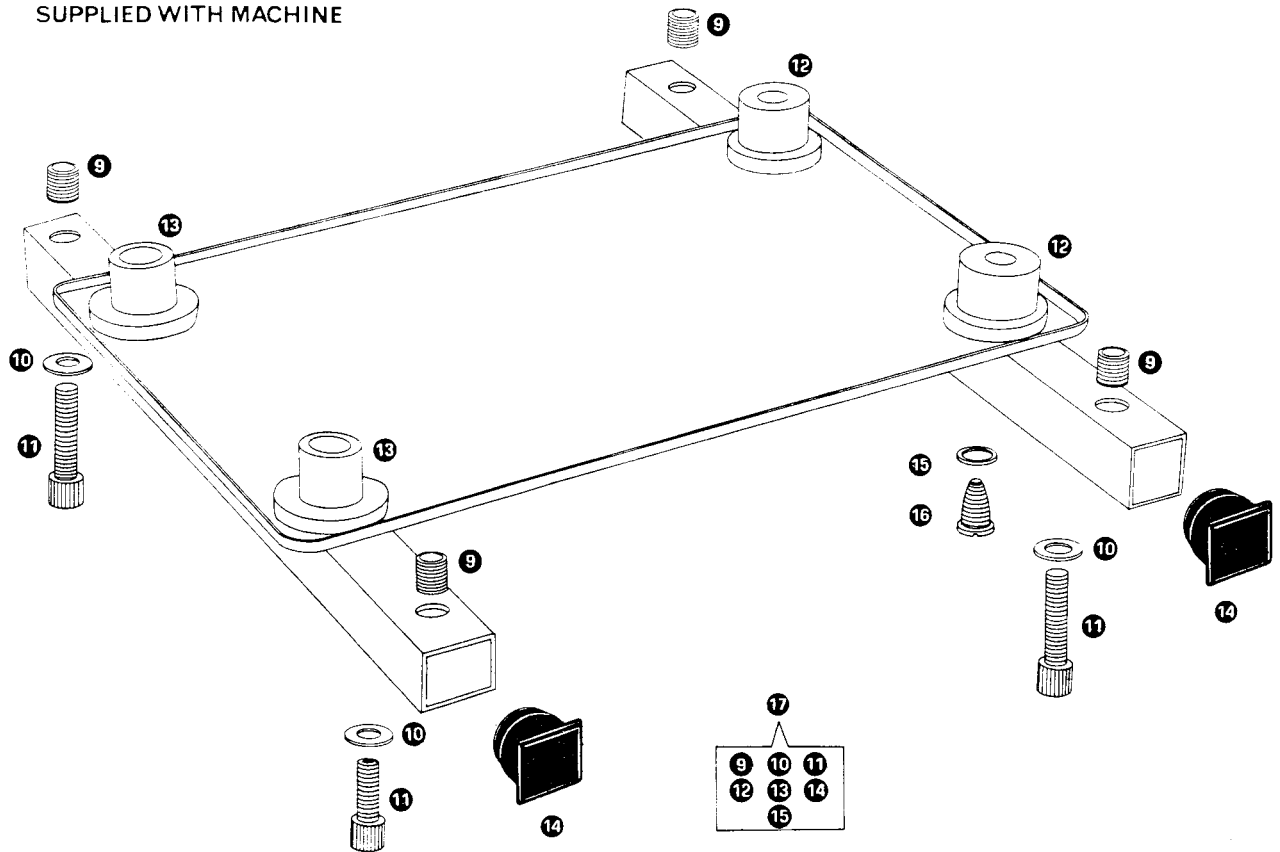
Parts List for 991B Machine—Accessories

Ref. No.	Part No. For Ordering	Description	Amt. Req.
Available at an Extra Charge			
1	1700(809)	Chip Chute Support Bracket Screw Nut	4
2	175032	Chip Chute Support Bracket Screw Washer	4
3	107156	Chip Chute Support Bracket (left hand)	
4	1094(809)	Chip Chute Support Bracket Screw	4
5	107157	Chip Chute Support Bracket (right hand)	
6	107105	Chip Chute (long)	
	or		
	108217	Chip Chute (short)	
7	107514	Chip Chute Sleeve	
8	107989	Chip Chute (long) complete, Nos. 107105, 107156, 107157, 107514, four each 1094(809), 1700(809) and 175032	
	or		
	108219	Chip Chute (short) complete, Nos. 107156, 107157, 107514, 108217, four each 1094(809), 1700(809) and 175032	
Supplied with Machine			
9	51797	Machine Base Mounting Screw Insert	4
10	9842	Machine Base Mounting Screw Washer	4
11	350647(869)	Machine Base Mounting Screw	4
12	81231	Machine Cushion (large)	2
13	164189	Machine Cushion (small)	2
14	108220	Machine Base Support Tube End Plug	2
15	9525	Chip Chute Support Bracket (left hand) Screw (upper) Washer	
16	114116	Chip Chute Support Bracket (left hand) Screw (upper)	
17	107107	Machine Base complete with 20437, 114116, two each 81231, 108220, 164189, four each 9842, 51797 and 350647(869)	

AVAILABLE AT AN EXTRA CHARGE

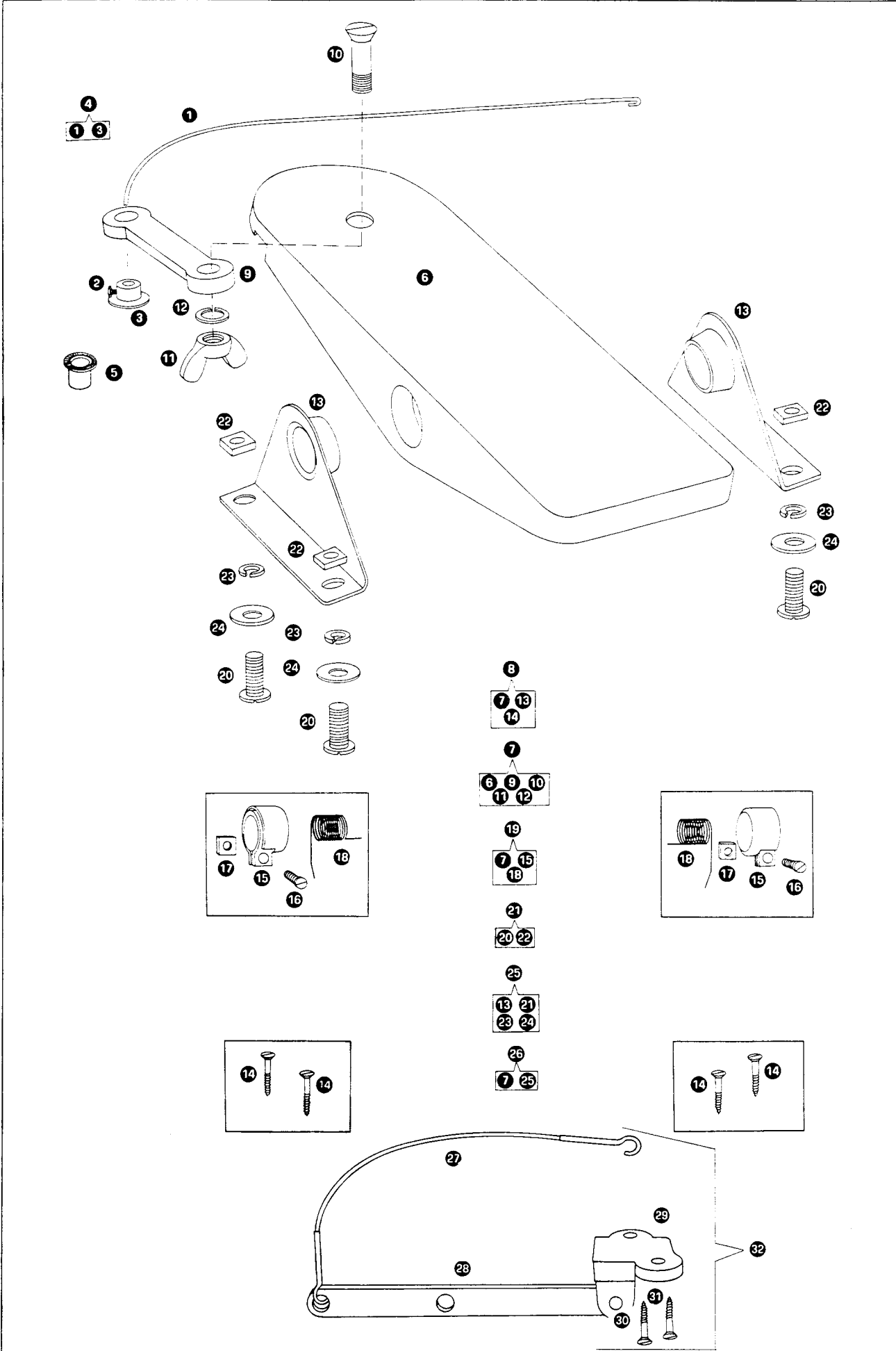


SUPPLIED WITH MACHINE



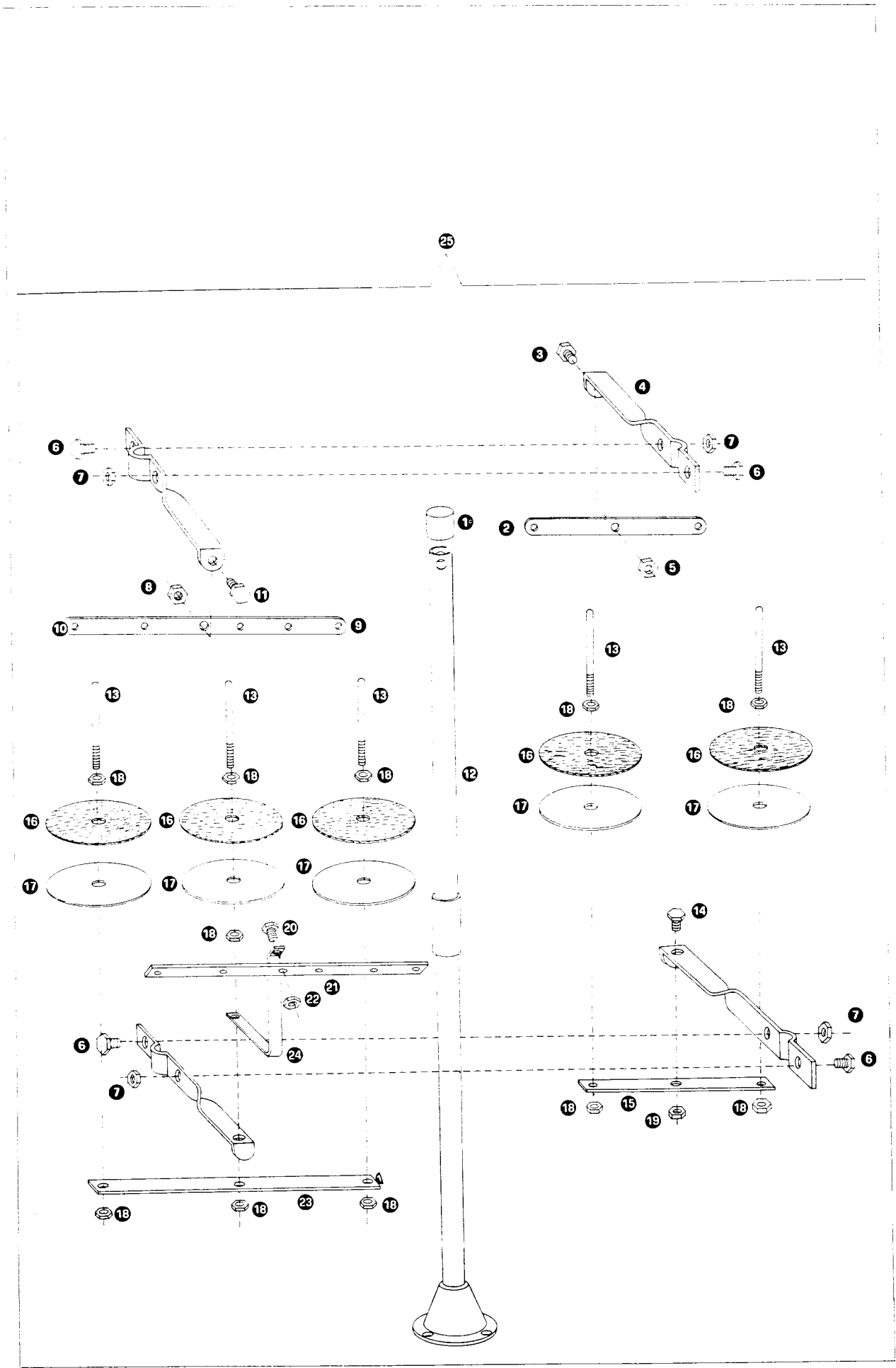
Parts List for 991B Machine—Accessories

Ref. No.	Part No. For Ordering	Description	Amt. Req.
Supplied with Machine			
1	107501	Foot Lifter Operating Cable	
2	140393	Foot Lifter Operating Cable Retaining Collar Screw	
3	107505	Foot Lifter Operating Cable Retaining Collar with 140393	
4	107513	Foot Lifter Operating Cable complete, Nos. 107501 and 107505	
5	164042	Foot Lifter Operating Cable Friction Sleeve	
Listed below are foot treadles suitable for floor mounting, mounting to the round cross brace of a stand, or mounting to the flat pressed steel treadle support of a stand. The customer is required to specify which treadle, if any, he requires and it will be supplied at no charge.			
Treadle for Floor Mounting			
6	152168	Treadle	
7	152169	Treadle 152168 with 51723, 152170, 152171 and 67425	
8	107626	Treadle 152169 with two 107502 and four wood screws 3/4 inch (19mm) No. 12 R.H.	
9	152170	Treadle Extension	
10	152171	Treadle Extension Swivel Stud	
11	51723	Treadle Extension Wing Nut	
12	67425	Treadle Extension Wing Nut Lock Washer	
13	107502	Treadle Hinge Bracket	2
14	—	Treadle Hinge Bracket Wood Screw 3/4 inch (19mm) No. 12 R.H.	4
Treadle for Mounting to Round Cross Brace			
6	152168	Treadle	
7	152169	Treadle 152168 with 51723, 152170, 152171 and 67425	
19	152095	Treadle 152169 with 152153 and two 152080	
9	152170	Treadle Extension	
10	152171	Treadle Extension Swivel Stud	
11	51723	Treadle Extension Wing Nut	
12	67425	Treadle Extension Wing Nut Lock Washer	
15	152080	Treadle Position Collar with 51089	2
16	51089	Treadle Position Collar Bolt with 51581	2
17	51581	Treadle Position Collar Bolt Nut	2
18	152153	Treadle Spring	
Treadle for Mounting to Flat Pressed Steel Treadle Support			
6	152168	Treadle for 152169	
7	152169	Treadle 152168 with 51723, 152170, 152171 and 67425	
26	107546	Treadle 152169 with two 107512	
9	152170	Treadle Extension	
10	152171	Treadle Extension Swivel Stud	
11	51723	Treadle Extension Wing Nut	
12	67425	Treadle Extension Wing Nut Lock Washer	
13	107502	Treadle Hinge Bracket	
25	107512	Treadle Hinge Bracket 107502 with two each 23250, 51082-002 and 67425	
20	141223-002	Treadle Hinge Bracket Bolt	
21	51082-002	Treadle Hinge Bracket Bolt 141223-002 with 51581	
22	51581	Treadle Hinge Bracket Bolt Nut	
23	67425	Treadle Hinge Bracket Bolt Nut Lock Washer	
24	23250	Treadle Hinge Bracket Bolt Washer	
Available at an extra charge			
For use with table mounted motors and Series 52, 53 motors.			
27	108221	Presser Bar Lifter Connecting Cable	
28	108222	Presser Bar Lifter Operating Arm	
29	5599	Presser Bar Lifter Operating Arm Bracket	
30	5601	Presser Bar Lifter Operating Arm Hinge Pin	
31	—	Presser Bar Lifter Operating Arm Bracket Wood Screw 3/4 inch (19mm) No. 6 R.H.	2
32	108223	Presser Bar Lifter Operating Arm complete, Nos. 5599, 5601, 108221, 108222 and two 8905 and Wood Screws 3/4 inch (19mm) No. 6 R.H.	
Not illustrated :- 8905			2



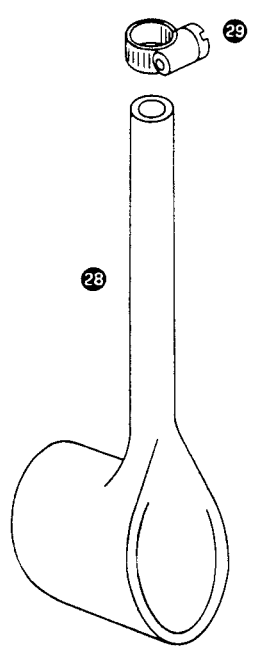
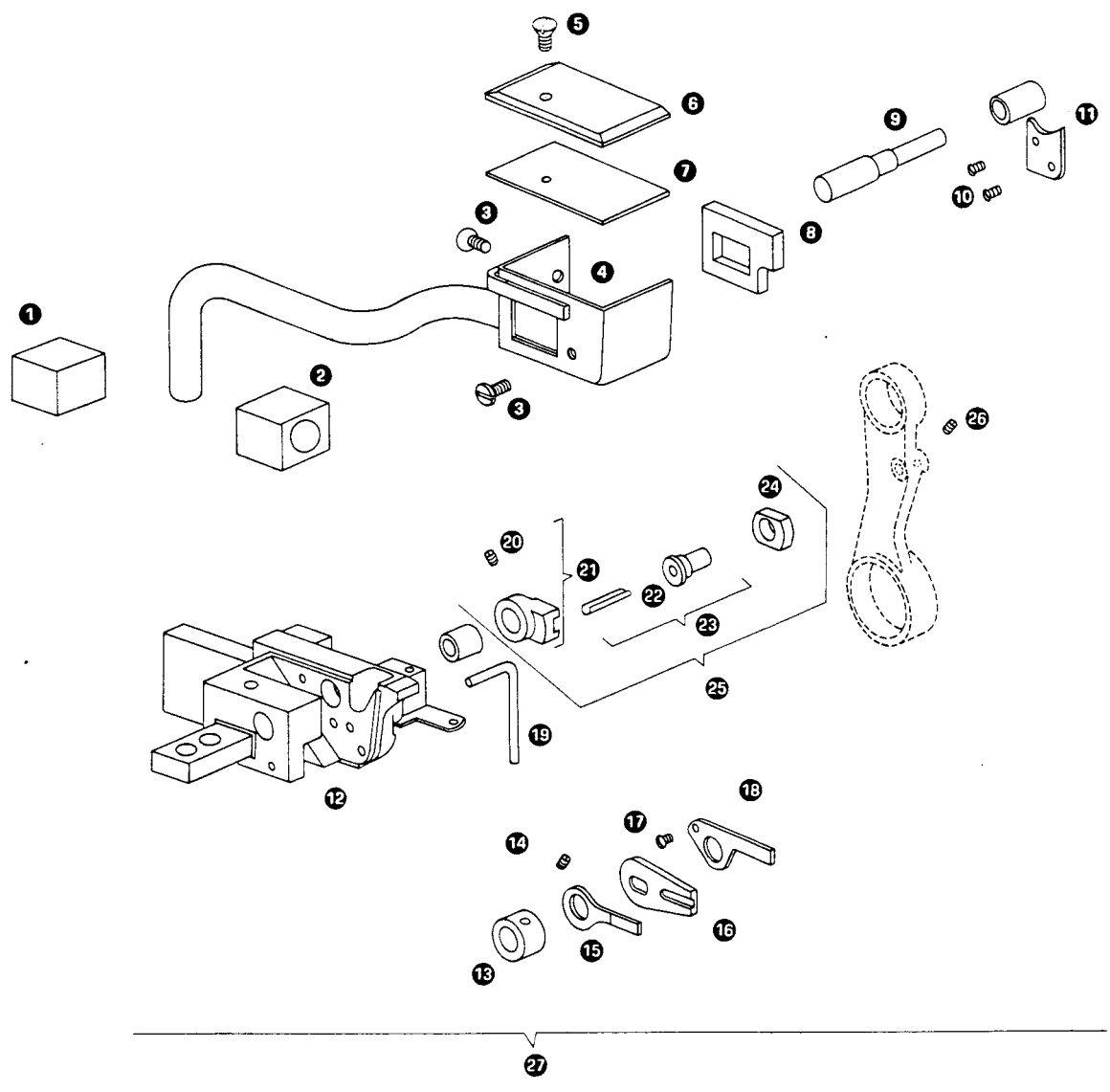
Parts List for 991B3 Machine Accessories

Ref. No.	Part No. For Ordering	Description	Amt. Req.
1	108318	Thread Unwinder Mounting Tube End Plug	
2	108325	Thread Unwinder Thread Eyelet Support (upper) (rear) with three 108322	
3	114097(809)	Thread Unwinder Thread Eyelet Support (upper) (rear) Securing Screw	
4	108320	Thread Unwinder Mounting Tube Bracket	4
5	1520(809)	Thread Unwinder Thread Eyelet Support (upper) (rear) Securing Screw Nut	
6	50073(809)	Thread Unwinder Mounting Tube Bracket Clamping Screw	4
7	1698(809)	Thread Unwinder Mounting Tube Bracket Clamping Screw Nut	4
8	1520(809)	Thread Unwinder Thread Eyelet Support (upper) (front) Securing Screw Nut	
9	108324	Thread Unwinder Thread Eyelet Support (upper) (front) with five 108322	
10	108322	Thread Unwinder Thread Eyelet	13
11	114097(809)	Thread Unwinder Thread Eyelet Support (upper) (front) Securing Screw	
12	108323	Thread Unwinder Mounting Tube	
13	108311	Thread Unwinder Spool Pin	5
14	114097(809)	Thread Unwinder Spool Rest Support (lower) (rear) Securing Screw	
15	108314	Thread Unwinder Spool Rest Support (lower) (rear)	
16	150203	Thread Unwinder Spool Rest Cushion (felt)	5
17	108312	Thread Unwinder Spool Rest	5
18	1520(809)	Thread Unwinder Spool Pin Nut	11
19	1520(809)	Thread Unwinder Spool Rest Support (lower) (rear) Securing Screw Nut	
20	114097(809)	Thread Unwinder Thread Guide Holder Screw	
21	108324	Thread Unwinder Thread Guide with five 108322	
22	1520(809)	Thread Unwinder Thread Guide Holder Screw Nut	
23	108315	Thread Unwinder Spool Rest Support (lower) (front)	
24	108321	Thread Unwinder Thread Guide Holder	
25	108326	Thread Unwinder (five spools) complete	
		Thread Unwinder Mounting Tube Assembly Wood Screw 1-1/4 inch, No. 12 Round Head	4



The following parts differ from those on 991B3 Machine

Ref. No.	Part On	Description	Part Off
1		Machine Frame Oil Seal	108630
2	108623 ✓	Chain Cutter Knife Holder and Feed Bar Guide Cover Suction Tube Oil Seal	
3	207(809) ✓	Chain Cutter Knife Holder and Feed Bar Guide Cover Securing Screw (2)	
4	108499 ✓	Chain Cutter Knife Holder and Feed Bar Guide Cover	
5	50027(823) ✓	Chain Cutter Knife Holder and Feed Bar Guide Cover (top) Securing Screw	
6	108500 ✓	Chain Cutter Knife Holder and Feed Bar Guide Cover (top)	
7	108648 ✓	Chain Cutter Knife Holder and Feed Bar Guide Cover (top) Gasket	
8	108503 ✓	Chain Cutter Knife Holder and Feed Bar Guide Cover Seal (inner)	
9	108392 ✓	Chain Cutter Knife (movable) Shaft	
10	1329(805) ✓	Chain Cutter Knife (stationary) Extension Screw (2)	
11	108396 ✓	Chain Cutter Knife (stationary) Extension	
12	108496 ✓	Chain Cutter Knife Holder and Feed Bar Guide	
13	108393 ✓	Chain Cutter Knife (movable) Shaft Collar with 109927(869)	
14	109927(869)	Chain Cutter Knife (movable) Shaft Collar Set Screw	
15	108394 ✓	Chain Cutter Knife (movable) Spring	
16	108388 ✓	Chain Cutter Knife (movable)	
17	1329(805) ✓	Chain Cutter Knife (stationary) Screw	
18	108395 ✓	Chain Cutter Knife (stationary)	
19	108441 ✓	Chain Cutter Knives Oil Wick	
20	109927(869)	Chain Cutter Knife (movable) Driving Fork Set Screw	
21	108389 ✓	Chain Cutter Knife (movable) Driving Fork with 109927(869)	
22	108495 ✓	Chain Cutter Knife (movable) Driving Slide Block Stud Wick	
23	108391 ✓	Chain Cutter Knife (movable) Driving Slide Block Stud with 108495	
24	108390	Chain Cutter Knife (movable) Driving Slide Block	
25	108597 ✓	Chain Cutter Knife (movable) Driving Fork 108389 and 108390 and 108391 (Mated components. Can be supplied only as 108597)	
26	109927(869) ✓	Chain Cutter Knife (movable) Driving Slide Block Stud Set Screw	
27	108497 ✓	Chain Cutter with 108441	
28	108406 ✓	Chain Cutter Suction Pipe (supplied only when specified on order and at extra charge)	
29	108585 ✓	Chain Cutter Suction Pipe Clip (supplied only when specified on order and at extra charge)	
Not illustrated			
	108624	Cloth Plate	
	108649	Cloth Plate complete, Nos. 1700(809), 51408(832), 108624, 165287 and two 219(809)	165292
	158654	Feed (back) Dog Section (left) (2.5mm)	
	108657	Feed (back) Dog (2.5mm) complete, Nos. 1100(830), 107950 and 108654	108046
	108655	Feed (back) Dog Section (left) (5mm) (108094 machined)	
	108658	Feed (back) Dog (5mm) complete, Nos. 1100(830), 107950 and 108655	108095
	108652	Machine Frame Oil Splash Guard (top)	
	108504	Machine Frame Oil Splash Cover	
	108626	Machine Frame Oil Splash Guard	107957
	108627	Machine Frame Oil Splash Seal Support	108214
	108507	Thread (looper) Plate Cover with 109927(869)	108035
	108629	Thread (looper) Plate Cover 108507 with 1094(819), 107095, 107096 and 107097	108036





Numerical List of Parts—991B Machines

Part No.	Page	Part No.	Page	Part No.	Page	Part No.	Page
157	62	20822	76	107045	68	107834	62
168	64	23250	84	107046	68	107839	72
176	80	39541	72, 78	107059	78	107840	70
185	56	42436	70, 78	107060	78	107841	70
187	60, 74	49109	80	107064	68	107846	70
190	74	50027	88	107065	68	107847	64
207	88	50073	70, 78, 86	107066	68	107849	72
208	62, 72	50123	56	107067	68	107851	56
219	78	50611	66	107068	76	107854	58
225	76	51082-002	84	107069	76	107857	58
227	78	51089	84	107070	76	107859	58
233	70	51145	64	107071	76	107863	64
236	62	51159	56, 72	107074	76	107866	70
330	74	51302	56, 64, 66, 66	107075	76	107868	58
399	72	51362	70	107076	76	107870	58
418	74	51369	68	107077	76	107891	76
447	60, 66, 66	51408	78	107078	76	107898	76
448	68, 68	51581	84, 84	107079	76	107936	80
460	70	51723	84, 84, 84	107080	70	107950	62, 62
462	70	51797	82	107081	70	107951	56
624	66, 70	51846	70	107084	72	107953	64
665	60, 70	59456	58	107085	72, 72, 72	107954	78
691	72	67425	84, 84, 84, 84	107086	72	107955	68
704	58, 64, 64, 78	68547	80	107090	78, 78	107957	62
792	62	81231	82	107095	74	107960	56
721	60	81350-011	80	107096	74	107965	58
853	72	82309	60	107097	74	107970	62
1036	68	82462	56	107098	74	107973	78
1083	60, 68	87027	60, 80	107102	72	107974	56
1094	62, 70, 74, 78	87029	66	107105	82	107989	82
	82	87058	60, 80	107107	82	108010	62
1100	62	87262	66	107156	82	108012	58
1143	66	101970	60	107157	82	108013	64
1209	58, 74, 78	106132	66	107158	76	108014	78
1231	62	106144	70	107161	66	108016	78
1238	78	106401	76	107169	76	108018	72
1239	74, 76	106430	78	107177	68	108019	60
1250	78	106452	66	107178	72	108021	60
1259	66	106456	70	107185	62	108022	78
1329	88, 88	106458	78	107188	66	108023	62
1423	72	106459	78	107192	66	108026	68
1443	74, 74, 78, 78	106460	78	107204	76	108029	78
1445	64	106461	78	107501	84	108030	74
1454	62, 62, 72, 72	106462	78	107502	84, 84	108031	74
	76	106463	78	107505	84	108032	74
1520	86, 86, 86, 86	106464	66	107512	84	108033	60
	86	106466	66	107513	84	108034	78
1562	74	106471	66	107514	82	108035	74
1607	74	106472	66	107546	84	108036	74
1628	64, 64, 66, 66	106473	60	107575	66	108039	78
1637	78	106477	60, 60	107625	72	108040	76
1700	60, 70, 72, 78	106478	60	107626	84	108041	62
	82, 86	106492	60	107627	80	108046	62
2102	72	106494	60	107820	70	108048	60
2455	74	106496	60	107821	70	108049	60
5599	84	106497	60	107822	70	108057	80
5601	84	106498	60	107823	70	108058	80
8905	84	107029	76	107826	56	108063	76
9525	58, 62, 82	107033	68	107827	64	108065	80
9842	82	107034	68	107828	56	108071	66
10875	80	107042	78	107829	62	108073	56
17022	60, 64, 74	107044	78	107832	66	108074	56

Numerical List of Parts—991B Machines

Part No.	Page	Part No.	Page	Part No.	Page	Part No.	Page
108075	58	108389	88	109876	72	152171	84, 84, 84
108085	64	108390	88	109898	78	158654	88
108087	64	108391	88	109927	56, 56, 60, 72	161294	80
108088	62	108392	88		74, 74, 88, 88	164004	62
108089	62	108393	88		88	164042	84
108090	70	108394	88	113176	66, 78	164043	66
108093	70	108395	88	113179	76	164053	60, 60, 72
108094	62	108396	88	113180	72, 72, 72, 72	164068	60
108095	62	108406	88	113191	72	164091	74
108104	76	108433	80	113194	58	164098	68
108113	76	108436	78	114032	66	164100	68
108118	60	108439	72	114038	76	164139	70
108123	80	108441	88	114073	78	164141	70
108128	66	108445	68	114077	68	164144	70
108132	58	108446	68	114078	56	164157	72
108133	58	108451	80	114080	76	164163	74
108134	58	108452	80	114081	76	164164	80
108135	58	108483	64	114082	70, 78	164165	74
108136	72	108487	72	114083	70	164189	82
108137	72	108495	88	114097	86, 86, 86, 86	164196	80
108139	72	108496	88	114116	82	164203	80
108141	62	108497	88	114117	72	164351	70
108145	58	108499	88	114130	66	164416	70
108147	80	108500	88	114134	58, 58	164449	74
108148	80	108502	62	114135	56	164525	66
108152	72	108503	88	114136	60	164550	66, 80
108159	64	108504	88	114137	74	164555	74
108160	64	108507	88	114142	78	164728	66, 80
108213	66	108524	70	114144	66	164744	66
108214	78	108585	88	114159	70	164745	66
108217	82	108586	80	114172	62	165135	62
108219	82	108592	80	114224	78	165157	76
108220	82	108593	80	115071	88	165259	56, 56, 60, 62
108221	84	108597	88	125399	78		64
108222	84	108623	88	131695	58, 64	165260	56, 56, 56
108223	84	108624	88	132584	60	165273	56
108224	80	108626	88	139026	68	165276	56
108225	58	108627	88	140150	78	165277	56
108228	78	108629	88	140228	56, 60	165278	56
108232	64	108630	78	140393	84	165279	56
108237	60	108648	88	140416	68	165283	60
108311	86	108649	88	140510	70	165287	78
108312	86	108650	80	141004	66	165290	78
108314	86	108652	88	141223-002	84	165292	78
108315	86	108655	88	141292	56, 56, 56, 58	165301	62
108318	86	108656	76, 76		58, 58, 60, 62	165303	62
108320	86	108657	88		62, 62, 62, 64	165305	62
108321	86	108658	88		66, 68, 68, 80	165306	62
108322	86	108769	74	141301	56, 64, 66	165307	64
108323	86	108777	80	141420	64	165308	64
108324	86, 86	108809	56	141423	66	165309	64
108325	86	108810	56	141435	70	165310	64
108326	86	108811	56	141441	70	165311	62, 64
108329	72	108812	74	141444	66	165315	64
108330	72	108817	80	149224	76	165323	64
108331	72	108893	72	150203	86	165326	62
108336	58	108917	60	152080	84	165330	62
108373	78	108919	60	152095	84	165347	64
108379	72	108921	72	152153	84	165348	64
108380	72	108928	60	152168	84, 84, 84	165349	60, 64
108381	70	108930	60	152169	84, 84, 84	165350	64
108388	88	108952	56	152170	84, 84, 84	165351	64

Numerical List of Parts—991B Machines

Part No.	Page	Part No.	Page	Part No.	Page	Part No.	Page
165353	66	165421	70	175032	72, 72, 74, 82	820193-002	80
165361	66	165423	70	228476	80	820193-005	80
165362	66	165424	70	350606	56, 62, 64, 64	820193-007	80
165373	58	165432	74	350647	68, 82	820193-009	80
165384	76	165433	74	350656	64	820193-010	80
165392	62	165487	66	350680	60	931084	72
165395	76	165489	60	350687	58	Cat. 1431	72, 80
165399	64	165510	66	350719	56, 72	Cat. 6506	72, 80
165406	72	165514	78	350744	76		
165419	70	165519	76	701679	80		

