

HISTORICAL COPY
DO NOT REMOVE
Price List of Parts

No. 27

MACHINES.

FOR

FAMILY USE.



THE SINGER MANUFACTURING COMPANY.

INDEX.

	PAGE
Accessories	12
Attachments	11
Bobbin Winders.....	13
Cabinet Trimmings.....	18
Hand Attachment.....	14
Machine No. 27-1.....	4
" " 27-2.....	7
" " 27-3.....	7
" " 27-4.....	8
Numerical List of Parts.....	23
Obsolete Parts No. 27-1 Machine.....	21
" " Nos. 27-2 and 27-3 Machines.....	22
" Hand Attachment.....	22
Stand for Cabinet Table.....	16
" " Cover Set.....	14
Trimmings for Cabinet Table.....	18
" " Cover Set.....	18
" " Drop Cabinet.....	19

LIST OF PARTS

FOR

No. 27

MACHINES.

In ordering from this list, use **ONLY** the **PART** number in the **FIRST** column.

The number stamped on Sewing Machine parts is in every case the number of the single part only.

Every combination of parts sent out as such has its specific number, which, although not stamped on the parts, must be used when ordering the combination.

Each number always indicates the **SAME PART** in whatever list it appears, or for whatever machine.

The letters after some of the numbers indicate the style of finish only, as follows:

- A. Hardened, Polished and Plated.
- B. Polished and Plated.
- C. Hardened only.
- D. Polished "
- E. Soft, not polished.

These letters **MUST BE USED** when they appear in the list, and **AFTER** the number, *as* in the list.

In this series

1 to 1500 are Screw Numbers.

1501 " 1800 " Nut "

1801 " 2000 " Roller "

2001 and upward are numbers of Machine Parts.

The figures in the second column refer only to the plates illustrating the parts, and are **NOT TO BE USED** in ordering.

Parts marked with an asterisk (*) are furnished only when repairs are made at factory.

PARTS COMPLETE FOR
No. 27-1 MACHINE.
(OBSOLETE).

No.	Plate	Name	Each
*8201	---	Arm with 284B, 8202 and 8206.....	\$4 00
2002	471	" Dowel Pin.....	02
8203	466	" Rock Shaft with 122E.....	75
122E	473	" " " Adjusting Screw.....	05
8204	471	" " " Centre (upper).....	10
301A	472	" " " Screw Centre (lower).....	08
1508C	473	" " " " " Nut.....	06
138E	473	" Screw, $\frac{5}{8}$ in. long.....	05
649E	473	" " " " " ".....	05
8205	466	" Shaft.....	1 20
8206	467	" " Bushing.....	25
443A	473	" " " Set Screw.....	03
*8202	---	" Side Plate.....	40
284B	472	" " " Thumb Screw.....	10
2007	471	" Spool Pin.....	02
8879	467	" " " Washer (cloth).....	01
8207	466	Balance Wheel, 3 in. pulley.....	1 00
*8208	---	Bed.....	4 00
2011	467	" Hinge, Nos. 2012, 2016 and 2142.....	02
2012	467	" " (half butt) for 8208.....	01
2142	467	" " " " wood table.....	01
505B	467	" " Bolt for 2013.....	10
2013	---	" " " 505B with 1537E, 2016, 2018 and two 2015, for $\frac{3}{4}$ in. table.....	18
543B	467	Bed Hinge Bolt for 2014.....	10
2014	---	" " " 543B with 1537E, 2016, 2018 and two 2015, for drawing room cabinet..	18
1537E	1126	Bed Hinge Bolt Thumb Nut.....	03
2015	471	" " Cushion (rubber).....	02
2016	467	" " Pin.....	01
2017	471	" " Rivet..... per 100..	25
2018	471	" " Washer.....	01
8209	466	Belt Cover.....	16
180A	473	" " Screw.....	03
256B	467	Clamp Stop Motion Clamp Screw.....	30
248A	473	" " " " Stop Screw.....	02
2020	467	" " " " Washer.....	05
*2021	---	" " " Flanged Bushing.....	35
15152	467	" " " " " " 2021 with two 462C.....	35
2022	471	Clamp Stop Motion Flanged Bushing Pin... 462C 472	01
		" " " " " " Set Screw.....	02

No. 27-1 Machine Parts.

5

No.	Plate	Name	Each
2019B	---	Clamp Stop Motion complete, Nos. 248A, 256B, 2020 and 15152.....	$\frac{3}{4}$ 75
8210	466	Face Plate, $2\frac{5}{16}$ in. wide, with 2827.....	50
8216	---	" " " " " " " ".....	50
219A	473	" " Screw.....	02
2827	471	" " Thread Guard with 8505.....	02
8505	1126	" " " " Rivet...per 100	10
8211	467	Feed Cam with 448C.....	30
448C	473	" " Set Screw.....	03
8212	470	" Dog, two teeth right of needle (rounded corner).....	35
8213	470	Feed Dog, without teeth at right of needle..	35
8214	467	" " Carrier.....	30
1833	472	" " " Roller and Screw Stud....	20
315C	472	" " " Screw Centre.....	04
1519E	473	" " " " " Nut.....	03
191C	473	" " Screw.....	03
8215	466	" Forked Connection with 175B.....	80
175B	473	" " " Adjusting Screw... ..	02
27C	173	" " " Hinge Screw.....	10
1520E	473	" " " " " Nut... ..	03
1832	472	" " " Roller & Screw Stud	20
253B	472	" Regulating Thumb Screw.....	25
8216	467	" Regulator.....	35
8217	471	" " Friction Washer.....	01
42D	473	" " Hinge Screw.....	10
8219	466	" Rock Shaft.....	35
8220	467	" " " Crank with 460C.....	15
2019	171	" " " " Pin.....	01
460C	472	" " " " Set Screw.....	02
307C	472	" " " Screw Centre.....	06
1513C	473	" " " " " Nut.....	05
8218	466	" " " 8219 with 8220.....	50
25886	1125	Hemmer (foot) $\frac{1}{4}$ in. hem.....	35
6267	1125	" Folder.....	02
25888	1125	" Tongue.....	01
8221	466	Needle Bar.....	40
8222	467	" " Clamp Cam with 175E and 400C..	35
175E	473	" " " " Clamping Screw... ..	02
400C	473	" " " " Guide Adjusting Ser.	02
233B	473	" " " " Position Screw.....	02
1836	472	" " " " Roller & Screw Stud.	20
8223	471	" " Thread Guard.....	01
249A	473	" " " " and Needle Stop Screw.....	02
2054	471	Needle Clamp with 552C.....	25
552C	472	" " Thumb Screw.....	10
8224	466	Presser Bar.....	35
2060A	467	" " Lifter.....	20
97E	473	" " " Screw.....	04
8225	467	" " Spring.....	05

No. 27-1 Machine Parts.

No.	Plate	Name	Each
8226	470	Presser Bar Spring Bracket with 400 and 453c	\$ 25
400	473	" " " " Guide Adj.Screw	02
453c	473	" " " " Set Screw.....	02
2070	471	" " " " Washer.....	01
2071B	470	" " Foot.....	25
286B	473	" " Thumb Screw.....	10
263B	472	Pressure Regulating Thumb Screw.....	20
8229	467	Shuttle Bell Crank with two 175e.....	60
175E	473	" " " " Adjusting Screw.....	02
533B	472	" " " " Stud.....	20
1544B	471	" " " " Collar with 465c...	10
465c	473	" " " " " " Set Screw...	02
8228	470	" " Bobbin.....	05
*8301	-	" " Body.....	60
215	473	" " Tension Regulating Screw.....	04
8326	1125	" " Spring.....	08
8327	1125	Shuttle complete, 8301 with 215, 8228 and 8326.....	75
8231	467	Shuttle Carrier.....	35
231c	473	" " Screw.....	03
8232	466	" " Pitman with two 175B.....	50
175B	473	" " " " Adjusting Screw.....	02
44A	473	" " " " Screw Stud.....	10
520c	472	" " " " " " (eccentric).....	10
1520E	473	" " " " " " Nut..	03
216A	473	" " " " " " Screw.	04
8233	468	" " Slide (front).....	18
8234	468	" " " (back).....	18
2102	471	Tension Disc.....	05
1560B	473	" " Regulating Thumb Nut.....	04
8237	470	" " Releaser.....	04
413D	472	" " Screw Stud.....	10
8238	471	" " Spring.....	05
26076	1125	Thread Cutter.....	05
8241	468	" " Take-up Cam with 448c.....	50
2117	471	" " " " Pin.....	01
448c	473	" " " " " " Set Screw.....	03
8242	468	" " " " Lever with 1822.....	50
8243	468	" " " " " " Cover.....	10
107B	473	" " " " " " Hinge Screw.	03
79c	473	" " " " " " Hinge Screw.....	06
1822	472	" " " " " " Roller and Stud.	20
8244	471	" " " " " " Spring.....	05
8245	470	" " " " " " Regulator Plate.....	03
233B	473	" " " " " " " " Ad-justing Screw.....	02
8239	470	Throat Plate for 8212.....	20
8240	470	" " " " " " 8213.....	20
219A	473	" " " " " " " " Screw.....	02
8302	1127	Drip Pan.....	20
8303	714	" " " " for drawing room cabinet.....	20

No. 27-2 MACHINE.

(OBSOLETE).

This Machine is the same as 27-1 with the following exceptions :

No.	Plate	Name	Each
*8291	---	Bed, in place of 8208.....	\$4 00
8297	467	Shuttle Slide (front) in place of 8233.....	18
8298	467	" " (back) " " " 8234.....	18
8304	243	Drip Pan, in place of 8302.....	20

No. 27-3 MACHINE.

(OBSOLETE).

This Machine is the same as 27-4 with the following exceptions :

No.	Plate	Name	Each
*8291	-	Bed, in place of 8328.....	\$4 00
8212	470	Feed Dog, two teeth right of needle (rounded corner) in place of 8321.....	35
8213	470	Feed Dog, without teeth at right of needle, in place of 8321.....	35
25886	1125	Hemmer (foot) $\frac{1}{8}$ in. hem, in place of 26152 or 26170.....	35
2071B	470	Presser Foot, in place of 8322.....	25
8239	470	Throat Plate for 8212, in place of 8323.....	20
8240	470	" " " " 8213, " " " 8323.....	20

PARTS COMPLETE FOR

No. 27-4 MACHINE.

No.	Plate	Name	Each
*8299		Arm with 8206.....	\$4 00
2002	471	" Dowel Pin.....	02
8203	466	" Rock Shaft with 122E.....	75
122E	473	" " " Adjusting Screw.....	05
8204	471	" " " Centre (upper).....	10
301A	472	" " " Screw Centre (lower).....	08
1508C	473	" " " " " Nut.....	06
649E	473	" Screw, $\frac{3}{4}$ in. long.....	05
8205	466	" Shaft.....	1 20
8206	467	" " Bushing.....	25
443A	473	" " " Set Screw.....	03
8300	467	" Side Cover.....	15
286B	473	" " Thumb Screw.....	10
2007	471	" Spool Pin.....	02
8879	467	" " Washer (cloth).....	01
2804B	466	Balance Wheel, 3 in. pulley.....	1 00
*8328		Bed.....	4 00
8315	466	Belt Cover.....	16
180A	473	" " Screw.....	03
256B	467	Clamp Stop Motion Clamp Screw.....	30
248A	473	" " " " Stop Screw.....	02
2020	467	" " " " Washer.....	05
*2021		" " " Flanged Bushing.....	35
15152	467	" " " " " 2021 with two 462c.....	35
2022	471	Clamp Stop Motion Flanged Bushing Pin... 462C 472 " " " " " Set Ser.	01 02
2019B		" " " complete, Nos. 248A, 256B, 2020 and 15152.....	75
8310	466	Face Plate, $2\frac{5}{8}$ in. wide, with 2827.....	50
219A	473	" " Screw.....	02
2827	471	" " Thread Guard with 8505.....	02
8505	1126	" " " " Rivet...per 100..	10
8211	467	Feed Cam with 448c.....	30
448C	473	" " Set Screw.....	03
8321	1125	" Dog, four teeth at right of needle (square corner).....	35
8214	467	Feed Dog Carrier.....	30
1833	472	" " " Roller and Screw Stud.....	20
315C	472	" " " Screw Centre.....	04
1519E	473	" " " " Nut.....	03
191C	473	" " Screw.....	03
8215	466	" Forked Connection with 175B.....	80
175B	473	" " " Adjusting Screw... 175B 473 " " " Adjusting Screw...	02 02

No. 27-4 Machine Parts.

No.	Plate	Name	Each
27C	473	Feed Forked Connection Hinge Screw.....	\$ 10
1520E	473	" " " " " Nut... 1832 472 " " " Roller & Screw Stud	03 20
253B	472	" Regulating Thumb Screw.....	25
8216	467	" Regulator.....	35
8217	471	" " Friction Washer.....	01
42D	473	" " Hinge Screw.....	10
8219	466	" Rock Shaft.....	35
8220	467	" " " Crank with 460c.....	15
2049	471	" " " " Pin.....	01
460C	472	" " " " Set Screw.....	02
307C	472	" " " Screw Centre.....	06
1513C	473	" " " " " Nut.....	05
8218	466	" " " 8219 with 8220.....	50
26152	1125	Hammer (foot) $\frac{1}{4}$ in. hem.....	35
26170	1126	" " " " " ".....	30
6267	1125	" Folder for 26152.....	02
25884	1126	" " " 26170.....	02
25888	1125	" Tongue " 26152.....	01
25885	1126	" " " 26170.....	01
8221	466	Needle Bar.....	40
8222	467	" " Clamp Cam with 175E and 400c.. 175E 473 " " " " Clamping Screw....	35 02
400C	473	" " " " Guide Adjusting Ser. 233B 473 " " " " Position Screw.....	02 02
1836	472	" " " " Roller & Screw Stud 8223 471 " " Thread Guard.....	20 01
249A	473	" " " " and Needle Stop Screw.....	02
2054	471	Needle Clamp with 552c.....	25
552C	472	" " Thumb Screw.....	10
8224	466	Presser Bar.....	35
2060A	467	" " Lifter.....	20
97E	473	" " " Screw.....	04
8225	467	" " Spring.....	05
8226	470	" " " Bracket with 400 and 453c 400 473 " " " " Guide Adjusting Screw.....	25 02
453C	473	Presser Bar Spring Bracket Set Screw.....	02
2070	471	" " " Washer.....	01
8322	1125	" Foot.....	25
286B	473	" " Thumb Screw.....	10
263B	472	Pressure Regulating Thumb Screw.....	20
8229	467	Shuttle Bell Crank with two 175E.....	60
175E	473	" " " Adjusting Screw.....	02
533B	472	" " " Stud.....	20
1544B	471	" " " " Collar with 465c....	10
465C	473	" " " " " Set Screw... 8228 470 " Bobbin.....	02 05
*8301		" Body.....	60
215	473	" Tension Regulating Screw.....	04

No.	Plate	Name	Each
8326	1125	Shuttle Tension Spring.....	08
8327	1125	“ complete, 8301 with 215, 8228 and 8326.....	75
8231	467	Shuttle Carrier.....	35
231c	473	“ “ Screw.....	03
8232	466	“ Pitman with two 175B.....	50
175B	473	“ “ Adjusting Screw.....	02
44A	473	“ “ Screw Stud.....	10
520c	472	“ “ “ “ (eccentric).....	10
1520E	473	“ “ “ “ “ Nut.....	03
216A	473	“ “ “ “ “ Screw.....	04
8297	467	“ Slide (front).....	18
8298	467	“ “ (back).....	18
2102	471	Tension Disc.....	05
1560B	473	“ Regulating Thumb Nut.....	04
8237	470	“ Releaser.....	04
413D	472	“ Screw Stud.....	10
8238	471	“ Spring.....	05
26076	1125	Thread Cutter.....	05
8241	468	“ Take-up Cam with 448c.....	50
2117	471	“ “ “ Pin.....	01
448c	473	“ “ “ Set Screw.....	03
8242	468	“ “ Lever with 1822.....	50
8243	468	“ “ “ Cover.....	10
107B	473	“ “ “ Hinge Screw.....	03
79c	473	“ “ “ Hinge Screw.....	06
1822	472	“ “ “ Roller and Stud.....	20
8244	471	“ “ Spring.....	05
8245	470	“ “ “ Regulator Plate.....	03
233B	473	“ “ “ “ “ Ad-justing Screw.....	02
8323	1125	Throat Plate for 8321.....	20
219A	473	“ “ Screw.....	02
8304	243	Drip Pan.....	20
8303	714	“ “ for drawing room cabinet.....	20

ATTACHMENTS.

STYLE No. 11.

No.	Plate	Name	Each
25525	944	Bias Gauge.....	10
25526	944	Binder with 582A.....	15
582A	1126	“ Adjusting Screw.....	05
26194	944	Box Spring Catch.....	03
26193	944	“ “ “ Hook.....	02
26302	1126	“ “ “ “ Rivet.....per 100..	25
26302	1126	“ “ “ “ Rivet.....per 100..	25
25597	—	“ with Racks, Nos. 26180, 26181, 26185, 26190, 26193, 26194, 26304, 26306, 26314, two each 26189, 26302 and seven wood screws.....	1 00
25527B	944	Cloth Guide.....	10
287B	472	“ “ Thumb Screw.....	10
25528	944	Hemmer, $\frac{3}{16}$ in. hem, with 582A.....	15
25529	944	“ “ “ “ “ “.....	15
25530	944	“ “ “ “ “ “.....	15
25531	944	“ “ “ “ “ “.....	15
25532	944	“ “ “ “ “ “.....	15
582A	1126	“ Adjusting Screw.....	05
25533	944	“ Foot with 291B.....	40
291B	1126	“ “ Thumb Screw.....	05
—	—	Needles.....per dozen..	25
25534	944	Quilter with 655E, 1566B, 26187 and 26520 ..	20
26187	1126	“ Clamp.....	08
655E	1126	“ Clamping Screw.....	03
1566B	1126	“ “ “ Nut.....	05
26520	—	“ Guide.....	05
26180	944	Rack for Nos. 287B, 25525, 25527B and 25537 to 25539.....	08
26181	944	Rack for Nos. 25526 and 25528 to 25532.....	10
26306	944	“ “ “ 25533, 25534, 25542 and 26513.....	05
26314	944	“ “ “ No. 26158.....	04
26304	944	“ “ “ 26513.....	02
26185	944	“ “ “ 25547.....	02
26190	944	“ “ “ 8228.....	04
26189	1126	“ Pin for 26190.....per 100..	05
—	—	“ Screw, $\frac{1}{4}$ in., No. 3, flat head (blued) wood screw, for 26181.....per 100..	25
—	—	Rack Screw, $\frac{1}{4}$ in., No. 3, round head (blued) wood screw, for 26185 and 26304, per 100.....	25
—	—	Rack Screw, $\frac{5}{16}$ in., No. 5, round head (blued) wood screw, for 26180, 26306 and 26314.....per 100..	25
26156	944	Ruffler.....	65
26158	—	“ 26156 with 25603.....	75
25603	944	“ Shirring Plate.....	10

Attachments.

No.	Plate	Name	Each
25537	944	Screw Driver (machine).....	10
25538	944	" " (shuttle tension).....	05
8228	470	Shuttle Bobbins (five).....	05
25539	944	Stiletto.....	05
26554	1900	Tucker Driving Lever.....	05
26088	1900	" Foot.....	18
26089	1900	" Frame.....	12
26090	1900	" Rocking Bar.....	10
26511	1126	" " " Lifting Spring.....	02
26555	1126	" " " Protector.....	02
26093	1126	" Stop Bracket.....	01
26092	1126	" " " Rivet (furnished for repairs).....per 100..	15
26094	1900	Tucker Tuck Guide.....	05
658B	1900	" " " Thumb Screw.....	05
26512	1900	" " Marker Guide Clamp.....	05
561B	1900	" " " " " Thumb Screw.....	06
26097	1900	Tucker Tuck Marker Guide Rod.....	05
233B	473	" " " " " End Screw.....	02
26095	1900	" " Marking Plate.....	10
26458	1900	" " " " " Spur.....	01
26459	1126	" " " " " Rivet (furnished for repairs).....per 100..	15
26098	1900	Tucker Tuck Smoothing Spring.....	05
26092	1126	" " " " " Rivet, per 100	15
26513	1900	" complete, Nos. 233B, 561B, 658B, 26088 to 26090, 26092 to 26095, 26097, 26098, 26458, 26511, 26512, 26551 and 26555	75
25547	944	Under Braider with 561B and 26612.....	25
25542	944	" " Foot.....	15
561B	1900	" " " Screw.....	06
26612	1126	" " Guide Stud.....	03
26157	944	Set complete in folding box, Nos. 287B, 25525 to 25534, 25537 to 25539, 25542, 25547, 25597, 26158, 26513, five 8228 and eleven needles.....	5 00

ACCESSORIES.

No.	Plate	Name	Each
26460	468	Oiler with Cap and 26462.....	05
26461	—	" 26460, filled with oil.....	08
26462	468	" Spout, 2 inches long.....	01

BOBBIN WINDERS.

BOBBIN WINDER FOR Nos. 27-1 AND 27-2 MACHINES.
(RUN BY BELT).

No.	Plate	Name	Each
8248	471	Back Centre.....	02
8249	471	" " Head.....	03
8250	471	" " Spring.....	02
8251	466	Frame.....	15
8252	470	Pulley.....	08
8253	470	Spindle and Cup.....	10
8247	466	Bobbin Winder complete, Nos. 8248 to 8253.	15
136A	473	" " " Hinge Screw.....	04

BOBBIN WINDER (AUTOMATIC) FOR Nos. 27-3 AND 27-4 MACHINES. (RUN BY BELT ON PULLEY).

8255	471	Back Centre.....	03
8256	471	" " Head.....	03
8250	471	" " Spring.....	02
8257	470	Cam.....	05
219A	473	" Screw.....	02
8258B	466	Frame.....	17
537A	472	Spindle.....	20
8252	470	" Pulley.....	08
8259	468	Thread Guide.....	10
92B	473	" " Hinge Screw.....	05
8260	471	" " Spring.....	02
8261	468	Worm Wheel.....	12
2749	471	" " Friction Washer.....	01
50B	473	" " Screw Stud (eccentric).....	10
1528E	473	" " " " Nut.....	03
8254	466	Bobbin Winder complete, Nos. 50B, 92B, 219A, 537A, 1528E, 2749, 8250, 8252 and 8255 to 8261.....	1 00
136A	473	Bobbin Winder Hinge Screw.....	04

BOBBIN WINDER (AUTOMATIC) FOR HAND ATTACHMENT
(RUN BY FRICTION RING).

This Bobbin Winder is the same as No. 8254 with the following exceptions:

2460	468	Friction Ring (rubber).....	02
8265	468	Spindle Pulley, in place of 8252.....	15
8263	466	Bobbin Winder complete, Nos. 50B, 92B, 219A, 537A, 1528E, 2749, 8250, 8255 to 8261 and 8265.....	1 10

HAND ATTACHMENT.

No.	Plate	Name	Each
8377	469	Body	\$ 50
8311	466	" Bracket	30
8312	466	" " Cap (belt cover)	25
145	473	" " " Screw	04
183	1126	" " " Screw	03
8380	468	Crank Handle (wood)	03
8316	468	" " Spindle	10
8381	—	" " " 8316 with 8382	10
8382	1125	" " " Washer	01
8280	471	" Hinge Pin	01
8383	468	" Lever	20
8281	471	" Lock Pin	02
8282	471	" " " Spring	01
8379	469	" complete, Nos. 8380, 8381 and 8383	35
8313	469	Driver	20
8284	471	" Finger	10
8285	471	" " Hinge Pin	01
8286	471	" " Lock Spring	02
233B	473	" " " " Screw	02
8374	—	Gear	35
8392	469	" 8374 with 8281 and 8282	35
8393	469	" Cover	10
399A	473	" " " Screw	02
659D	473	" Screw Stud	12
8394	469	Pinion	35
660D	473	" Screw Stud	12
8317	—	Hand Attachment complete, Nos. 233B, 659D, 660D, 8280, 8284 to 8286, 8311 to 8313, 8377, 8379, 8392 to 8394 and two each 145, 183 and 399A	3 00

STAND.

FOR COVER SET.

No.	Plate	Name	Each
25005	243	Band Wheel, 12½ in. diam., with 2117 and 25010	\$ 90
25010	243	Band Wheel Crank	15
2117	471	" " " Pin	01
297C	472	" " " Screw Centre	10
1507E	473	" " " " " Nut	05

Stand Parts

15

No.	Plate	Name	Each
25187	—	Belt, size $\frac{3}{16}$ in., length 62 inches, with 25027	\$ 20
25031	243	" Guide	06
507E	472	" " Bolt with 1515E	02
1515E	473	" " " Nut	02
25027	471	" Hook	01
25032	468	" Shifter	05
34D	473	" " Hinge Screw	06
25033	470	" " Spring	02
25036	243	Brace with three each 297C and 1507E	1 45
25184	1127	" (sectional) complete, Nos. 25185, 25186 and three 507E	1 60
506E	472	Brace Bolt with 1510E	03
1510E	473	" " Nut	02
25185	1127	" Section (right) with two each 297C and 1507E	1 05
25186	1127	Brace Section (left) with 297C and 1507E	55
507E	472	" " Bolt with 1515E	02
1515E	473	" " " Nut	02
25049	243	Dress Guard with 34D, 25032 and 25033	45
504E	472	" " Bolt with 1510E	03
1510E	473	" " " Nut	02
25063	243	Leg with two each 25068 and 25069	1 80
25068	468	" Roller	05
25069	468	" " Pin	01
25123	—	Pitman Adjusting Block	02
558E	472	" " " Screw	03
1570E	471	" " " Nut	02
25075	471	" " " Washer	01
25074	243	" (adjustable) complete with two each 558E, 1570E, 25075 and 25123	25
7958	471	Pitman Stud Pin	01
11742	471	" Washer	01
25081	243	Treadle	65
297C	472	" Screw Centre	10
1507E	473	" " " Nut	05
25086	243	Wrench for 1507, 1510 and 1515	10
25202	—	Stand complete, Nos. 504E, 507E, 7958, 11742, 25005, 25031, 25036, 25049, 25074, 25081, 25086, 25187, two 25063 and four each 506E and 25076	8 00

STAND.**FOR CABINET TABLE.**

No.	Plate	Name	Each
25005	243	Band Wheel, 12½ in. diam., with 2117 & 25010	\$ 90
25010	243	“ “ Crank	15
2117	471	“ “ “ Pin	01
297C	472	“ “ “ Screw Centre	10
1507E	473	“ “ “ “ Nut	05
25134	—	Belt, size ¾ in., length 68½ inches, with 25027	20
25110	1127	“ Guide	06
25027	471	“ Hook	01
25032	468	“ Shifter	05
34D	473	“ “ Hinge Screw	06
25033	470	“ “ Spring	02
25111	1127	Brace with three each 297C and 1507E	1 45
506E	472	“ Bolt with 1510E	03
1510E	473	“ “ Nut	02
25049	243	Dress Guard with 34D, 25032 and 25033	45
504E	472	“ “ Bolt with 1510E	03
1510E	473	“ “ “ Nut	02
25126	1127	Leg with two each 25068 and 25069	1 80
25068	468	“ Roller	05
25069	468	“ “ Pin	01
25123	—	Pitman Adjusting Block	02
558E	472	“ “ “ Screw	03
1570E	471	“ “ “ “ Nut	02
25075	471	“ “ “ “ Washer	01
25112	1127	“ (adjustable) complete with two each 558E, 1570E, 25075 and 25123	25
7958	471	Pitman Stud Pin	01
11742	471	“ Washer	01
25081	243	Treadle	65
297C	472	“ “ Screw Centre	10
1507E	473	“ “ “ “ Nut	05
25086	243	Wrench for 1507 and 1510	10
25227	—	Stand complete, Nos. 504E, 7958, 11742, 25005, 25049, 25081, 25086, 25111, 25112, 25134, two 25126 and four each 506E and 25076	7 95

STAND.**FOR CABINET TABLE.**

FURNISHED BY SOUTH BEND FACTORY.

No.	Plate	Name	Each
25192	1129	Band Wheel, 12½ in. diam., with 972C	\$ 90
25193	1129	“ “ Crank	15
297C	472	“ “ “ Screw Centre	10
1507E	473	“ “ “ “ Nut	05
972C	1126	“ “ Set Screw	08
25134	—	Belt, size ¾ in., length 68½ in., with 25027	20
25110	1127	“ Guide	06
25027	471	“ Hook	01
25032	468	“ Shifter	05
34D	473	“ “ Hinge Screw	06
25033	470	“ “ Spring	02
25194	1129	Brace with three each 297C and 1507E	1 45
748E	1126	“ “ Screw	08
25049	243	Dress Guard with 34D, 25032 and 25033	45
504E	472	“ “ Bolt with 1510E	03
1510E	473	“ “ “ Nut	02
25195	1129	Leg with two each 25068 and 25069	1 80
25068	468	“ Roller	05
25069	468	“ “ Pin	01
25123	—	Pitman Adjusting Block	02
558E	472	“ “ “ Screw	03
1570E	471	“ “ “ “ Nut	02
25075	471	“ “ “ “ Washer	01
25112	1127	“ (adjustable) complete with two each 558E, 1570E, 25075 and 25123	25
7958	471	Pitman Stud Pin	01
11742	471	“ Washer	01
25081	243	Treadle	65
297C	472	“ “ Screw Centre	10
1507E	473	“ “ “ “ Nut	05
25086	243	Wrench for 1507 and 1510	10
25200	1129	“ “ 972C	10
25236	—	Stand complete, Nos. 504E, 7958, 11742, 25049, 25081, 25086, 25112, 25134, 25192 to 25194, 25200, two 25195 and four 748E	8 15

CABINET TRIMMINGS.

TRIMMINGS FOR COVER SET.

No.	Plate	Name	Each
28127	712	Bail Pull (gilt).....	\$ 30
28013	713	Belt Hole Bushing (brass).....	04
28069	713	Cover Hook (brass).....	02
28071	713	" " Cup Catch (brass).....	04
28073	712	" Lock (rim).....	15
28130	713	" " Cup Catch (brass).....	05
28076	713	" " Escutcheon (brass).....	02
28078	712	" " Key.....	05
28079	712	Drop Leaf Hinge.....	03
25056	243	" " Support.....	12
25058	243	" " " Bracket.....	10
25070	471	Machine Cushion Tack (rubber).....	01
525B	1126	" Hinge Bolt.....	15
1572E	471	" " " Nut.....	03
2807	471	" " " Washer.....	01
8294	471	" " " Connection.....	06
8295	471	" " " Hinge Pin.....	01
453C	473	" " " Set Screw.....	02
8306	467	" " Nos. 525B, 8294 and 8295.....	21
8292	---	" " 8306 with 1572E and 2807.....	25
25113	468	" Latch Spring.....	10
28082	713	Partition Lock (revolving bolt, double).....	05
28083	713	" " (" " single).....	05
28076	713	" " Escutcheon (brass).....	02
28078	712	" " Key.....	05
28084	1126	" " Pin.....	01
25047	468	Skeleton Drawer Case Drawer Spring.....	02
25076	468	" " " Support.....	03

TRIMMINGS FOR CABINET TABLE.

No.	Plate	Name	Each
28128	712	Bail Pull (gilt).....	\$ 30
28116	714	Counterbalance Spring.....	50
28117	714	" " Adjusting Collar.....	15
28118	1126	" " " Pin.....	03
28196	714	" " Bracket.....	20
28197	714	" " " Hinge.....	30
28198	714	" " " Support Pin (wood).....	02

Cabinet Trimmings.

19

No.	Plate	Name	Each
28121	712	Hinge, 1½ in. x 1½ in. (brass) for front lid.....	\$ 10
28027	712	" " (brass) round end, for top leaf.....	15
25152	1125	Machine Cushion (felt).....	01
2993	1125	" Hinge Connection.....	10
2809	1126	" " " Hinge Pin.....	01
453C	473	" " " Set Screw.....	02
2810	467	" " Plate.....	20
2992B	1125	" " complete, Nos. 2809, 2810, 2993 and two nickel plated wood screws ¾ in. No. 10.....	30
28122	714	Machine Lifting Plate.....	40
28123	1126	" " " Hinge Pin.....	03
28199	714	" " " 28122 with 28123 and 28197.....	75
28082	713	Partition Lock (revolving bolt, double).....	05
28083	713	" " (" " single).....	05
28076	713	" " Escutcheon (brass).....	02
28078	712	" " Key.....	05
28084	1126	" " Pin.....	01
25047	468	Skeleton Drawer Case Drawer Spring.....	02
25076	468	" " " Support.....	03
28125	712	Trough Hanging Bracket.....	05

TRIMMINGS FOR DRAWING-ROOM CABINET.

No.	Plate	Name	Each
28128	712	Bail Pull (gilt) long.....	\$ 30
28129	---	" " " short.....	30
28003	714	Band Wheel, 10 in. diam., with 2117 & 28006.....	90
28005	714	" " Bracket with 302C and 1507E.....	60
28006	714	" " Crank.....	15
2117	471	" " " Pin.....	01
302C	1126	" " " Screw Centre.....	06
1507E	473	" " " " Nut.....	05
25135	---	Belt, size ¾ in., length 67½ in., with 25027.....	20
28011	714	" Guide with 34D, 25033 and 28015.....	30
28012	713	" " Screw Eye.....	01
25027	471	" Hook.....	01
28013	713	" Hole Bushing (brass).....	04
28014	---	" " " (nickel).....	04
28015	712	" Shifter.....	05
34D	473	" " Hinge Screw.....	06
25033	470	" " Spring.....	02

Cabinet Trimmings.

No.	Plate	Name	Each
28016	712	Cabinet Case Roller	04
28017	712	" " " Frame	10
28018	1126	" " " Pin	01
28019	712	" " " complete, Nos. 28016 to 28018	15
28020	714	Drawer Lock Bolt	40
28021	712	" " " Cam and Plate	35
28076	713	" " Escutcheon (brass)	02
28023	712	" " Key	05
8303	714	Drip Pan	20
28024	712	Hinge, 1 in. x 1½ in. (brass) for all doors except lower front	03
28025	—	Hinge, 1 in. x 1½ in. (nickeled) for all doors except lower front	05
28027	712	Hinge (brass) round end, for top leaf	15
28028	—	" (nickeled) " " " " "	15
28026	712	" ½ in. x 2 in. (brass) for left lower front doors	03
28201	—	Hinge, ½ in. x 2 in. (brass) for right lower front doors	03
28029	712	Latch	08
28030	712	" Button (brass)	15
28031	—	" " (nickeled)	15
28032	1126	" " Hinge Pin	01
28033	712	" Frame	15
28034	1126	" Hinge Pin	01
28200	1125	" Spring	05
5604	1125	" " Rivet	10
28037	712	" complete (brass) Nos. 5604, 28029, 28030, 28032 to 28034 and 28200	40
28038	—	Latch complete (nickeled) Nos. 5604, 28029, 28031 to 28034 and 28200	40
25070	471	Machine Cushion Tack (rubber)	01
661B	1126	" Hinge Bolt	20
1572E	471	" " " Nut	03
2807	471	" " " Washer	01
8294	471	" " Connection	06
8295	471	" " " Hinge Pin	01
8307	467	" " Nos. 661B, 8294 and 8295	26
8296	—	" " 8307 with 1572E and 2807	30
28039	714	Pitman with three wood screws ¾ in. No. 5, R. H. B.	10
7958	471	Pitman Stud Pin	01
11742	471	" Washer	01
28040	714	Rocking Frame with 434c, 28048 and two each 28043 and 28045 (grained)	1 25
28041	—	Rocking Frame with 434c, 28048 and two each 28043 and 28045 (japanned)	1 25
28042	714	Rocking Frame Bracket	15
28043	714	" " Connecting Link	04

Cabinet Trimmings.

No.	Plate	Name	Each
28044	712	Rocking Frame Connecting Link Bracket	04
2269	1126	" " " " " Pin	01
28045	713	" " " " " Hinge Stud	04
28046	714	" " Hinge Plate	10
28047	714	" " Spring	75
28048	714	" " " Adjusting Block	25
28049	1126	" " " " " Pin	02
434c	1126	" " " " " Set Screw	04
28050	713	Spring Catch for long front door	02
28051	713	" " " end, upper and lower doors	04
28052	713	" " Cup for 28051	04
28053	714	Treadle	1 20
28054	713	" Centre	05
28055	714	" " Bracket with 28054	15
296c	1126	" Screw Centre	10
28056	714	" " " Bracket with 296c and 1507E	30
1507E	473	Treadle Screw Centre Nut	05

**OBSOLETE PARTS FOR No. 27-1
MACHINE.**

No.	Plate	Name	Each
8272	468	Arm Rock Shaft Eccentric Bush	35
458c	473	" " " " " Set Screw	02
299A	472	" " " Screw Centre (upper)	15
69B	473	Bobbin Winder Worm Wheel Screw Stud	06
8290	466	Face Plate for needle and foot bars	1 00
122B	473	" " Screw	05
8319	1125	Feed Dog, two teeth right of needle (square corners)	35
8266	466	Feed Forked Connection with 1816	80
1816	472	" " " Roller and Stud	20
255E	472	" Regulating Thumb Screw	30
8267	468	" Regulator for 535E	25
535E	472	" " Screw Link for 8267	15
184	473	" " " Hinge Screw	02
8268	468	Needle Bar Cam with 400c and 447c	40
400c	473	" " " Guide Adjusting Screw	02
8274	471	" " " Pin	01
447c	473	" " " Set Screw	03
2061A	467	Presser Bar Lifter for 70E	20
70E	473	" " " Screw	06
8269	468	" " Spring Bracket with 174E	45
174E	473	" " " " Clamping Screw	02
264B	472	Pressure Regulating Thumb Screw	20

Cabinet Trimmings

No.	Plate	Name	Each
8227	—	Shuttle.....	\$ 75
8235	471	" Tension Spring.....	08
2106	471	Thread Eyelet.....	01
2108	471	" Guard.....	01
8270	471	" Take-up Spring.....	03
8271	470	" " " Regulator Plate.....	03
8320	1125	Throat Plate for 8319.....	20

**HAND ATTACHMENT, OLD No. 137,
V. S. No. 2. (Obsolete).**

No.	Plate	Name	Each
8275	—	Hand Attachment complete.....	\$3 00
8276	469	" " Body.....	50
8277	466	" " " Bracket.....	30
8278	466	" " " Cap (belt cover).....	25
8279	468	Hand Attachment Crank.....	20
8283	469	" " Driver.....	20
8287	469	" " Gear.....	35
8288	469	" " " Cover.....	10
8289	469	" " Pinion.....	35

**OBSOLETE PARTS FOR Nos. 27-2 AND
27-3 MACHINES.**

No.	Plate	Name	Each
8308	470	Shuttle complete, 8301 with 215, 8228 and 8309.....	\$ 75
8309	470	Shuttle Tension Spring.....	08

Numerical List of Parts.

No.	Plate	Name	Each
27c	473	Feed Forked Connection Hinge Screw.....	\$ 10
34d	473	Belt Shifter Hinge Screw for 25049 and 28011.....	06
42d	473	Feed Regulator Hinge Screw.....	10
44A	473	Shuttle Pitman Screw Stud.....	10
50b	473	Bobbin Winder Worm Wheel Screw Stud (eccentric) for 8254 and 8263.....	10
69b	473	Bobbin Winder Worm Wheel Screw Stud for 27-1 Machine, obsolete.....	06
70e	473	Presser Bar Lifter Screw for 27-1 Machine, obsolete.....	06
79c	473	Thread Take-up Lever Hinge Screw.....	06
92b	473	Bobbin Winder Thread Guide Hinge Screw for 8254 and 8263.....	05
97e	473	Presser Bar Lifter Screw.....	04
107b	473	Thread Take-up Lever Cover Hinge Screw.....	03
122e	473	Arm Rock Shaft Adjusting Screw for 8203.....	05
122b	473	Face Plate Screw for 27-1 Machine, obsolete.....	05
136A	473	Bobbin Winder Hinge Screw.....	04
138e	473	Arm Screw, 3/8 in. long, for 27-1 and 27-2 Machines, obsolete.....	05
145	473	Body Bracket Cap Screw for 8317.....	04
174e	473	Presser Bar Spring Bracket Clamping Screw for 27-1 Machine, obsolete.....	02
175b	473	Feed Forked Connection Adjusting Screw.....	02
175e	473	Needle Bar Clamp Cam Clamping Screw.....	02
175e	473	Shuttle Bell Crank Adjusting Screw.....	02
175b	473	Shuttle Pitman Adjusting Screw.....	02
180A	473	Belt Cover Screw.....	03
183	1126	Body Bracket Screw for 8317.....	03
184	473	Feed Regulator Screw Link Hinge Screw for 27-1 Machine, obsolete.....	02
191c	473	Feed Dog Screw.....	03
215	473	Shuttle Tension Regulating Screw.....	04
216A	473	" Pitman Screw Stud (eccentric) Screw.....	04
219A	473	Bobbin Winder Cam Screw for 8254 and 8263.....	02
219A	473	Face Plate Screw.....	02
219A	473	Throat Plate Screw.....	02
231c	473	Shuttle Carrier Screw.....	03
233b	473	Driver Finger Lock Spring Screw for 8317.....	02
233b	473	Needle Bar Clamp Cam Position Screw.....	02
233b	473	Thread Take-up Spring Regulator Plate Adjusting Screw.....	02
233b	473	Tucker Tuck Marker Guide Rod End Screw for 26513.....	02
248A	473	Clamp Stop Motion Clamp Stop Screw.....	02
249A	473	Needle Bar Thread Guard & Needle Stop Scr.....	02
253b	472	Feed Regulating Thumb Screw.....	25

No.	Plate	Name	Each
255E	472	Feed Regulating Thumb Screw for 27-1 Machine, obsolete.	30
256B	467	Clamp Stop Motion Clamp Screw	30
263B	472	Pressure Regulating Thumb Screw	20
264B	472	" " " " for 27-1 Machine, obsolete.	20
284B	472	Arm Side Plate Thumb Screw for 27-1 and 27-2 Machines, obsolete	10
286B	473	Arm Side Cover Thumb Screw for 27-3 and 27-4 Machines	10
286B	473	Presser Foot Thumb Screw	10
287B	472	Cloth Guide Thumb Screw (Attachments, Style No. 11)	10
291B	1126	Hemmer Foot Thumb Screw (Attachments, Style No. 11)	05
296C	1126	Treadle Screw Centre for 28056	10
297C	472	Band Wheel Crank Screw Centre for 25036, 25111, 25185, 25186 and 25194	10
297C	472	Treadle Screw Centre for 25036, 25111, 25185, 25186 and 25194	10
299A	472	Arm Rock Shaft Screw Centre (upper) for 27-1 Machine, obsolete.	15
301A	472	Arm Rock Shaft Screw Centre (lower)	08
302C	1126	Band Wheel Crank Screw Centre for 28005	06
307C	472	Feed Rock Shaft Screw Centre	06
315C	473	" Dog Carrier Screw Centre	04
399A	473	Gear Cover Screw for 8317	02
400C	473	Needle Bar Clamp Cam Guide Adjusting Screw	02
400C	473	" " Cam Guide Adjusting Screw for 27-1 Machine, obsolete.	02
400	473	Presser Bar Spring Bracket Guide Adjusting Screw	02
413D	472	Tension Screw Stud	10
434C	1126	Rocking Frame Spring Adjusting Block Set Screw for 28040 and 28041	04
443A	473	Arm Shaft Bushing Set Screw	03
447C	473	Needle Bar Cam Set Screw for 27-1 Machine, obsolete.	03
448C	473	Feed Cam Set Screw	03
448C	473	Thread Take-up Cam Set Screw	03
453C	473	Machine Hinge Connection Set Screw (Trimings for Cover Set and Cabinet Table)	02
453C	473	Presser Bar Spring Bracket Set Screw	02
458C	473	Arm Rock Shaft Eccentric Bush Set Screw for 27-1 Machine, obsolete	02
460C	472	Feed Rock Shaft Crank Set Screw	02
462C	472	Clamp Stop Motion Flanged Bushing Set Screw	02
465C	473	Shuttle Bell Crank Stud Collar Set Screw	02
504E	472	Dress Guard Bolt with 1510E, for 25202, 25227 and 25236	03
505B	467	Bed Hinge Bolt for 2013, obsolete	10

No.	Plate	Name	Each
506E	472	Brace Bolt with 1510E, for 25202 and 25227	03
507E	472	Belt Guide Bolt with 1515E, for 25202	02
507E	472	Brace Section Bolt with 1515E, for 25184	02
520C	472	Shuttle Pitman Screw Stud (eccentric)	10
525B	1126	Machine Hinge Bolt for 8306	15
533B	472	Shuttle Bell Crank Stud	20
535E	472	Feed Regulator Screw Link for 8267, obsolete	15
537A	472	Bobbin Winder Spindle for 8254 and 8263	20
543B	467	Bed Hinge Bolt for 2014, obsolete	10
552C	472	Needle Clamp Thumb Screw	10
558E	472	Pitman Adjusting Screw for 25074 and 25112	03
561B	1900	Tucker Tuck Marker Guide Clamp Thumb Screw for 26513	06
561B	1900	Under Braider Foot Screw for 25547	06
582A	1126	Binder Adjusting Screw (Attachments, Style No. 11)	05
582A	1126	Hemmer Adjusting Screw (Attachments, Style No. 11)	05
649E	473	Arm Screw, $\frac{3}{4}$ in. long	05
655E	1126	Quilter Clamping Screw for 25534	03
658B	1900	Tucker Tuck Guide Thumb Screw for 26513	05
659D	473	Gear Screw Stud for 8317	12
660D	473	Pinion Screw Stud for 8317	12
661B	1126	Machine Hinge Bolt for 8307	20
748	1126	Brace Screw for 25236	08
972C	1126	Band Wheel Set Screw for 25192	08
1507E	473	" " Crank Screw Centre Nut for 297C and 302C	05
1507E	473	Treadle Screw Centre Nut for 296C and 297C	05
1508C	473	Arm Rock Shaft Screw Centre Nut	06
1510E	473	Brace Bolt Nut for 506E	02
1510E	473	Dress Guard Bolt Nut for 504E	02
1513C	473	Feed Rock Shaft Screw Centre Nut	05
1515E	473	Belt Guide Bolt Nut for 507E	02
1515E	473	Brace Section Bolt Nut for 507E	02
1519E	473	Feed Dog Carrier Screw Centre Nut	03
1520E	473	" Forked Connection Hinge Screw Nut	03
1520E	473	Shuttle Pitman Screw Stud (eccentric) Nut	03
1528E	473	Bobbin Winder Worm Wheel Screw Stud Nut for 8254 and 8263	03
1537E	1126	Bed Hinge Bolt Thumb Nut for 2013 and 2014	03
1544B	471	Shuttle Bell Crank Stud Collar with 465C	10
1560B	473	Tension Regulating Thumb Nut	04
1566B	1126	Quilter Clamping Screw Nut for 25534	05
1570E	471	Pitman Adjusting Screw Nut for 25074 and 25112	02
1572E	471	Machine Hinge Bolt Nut for 525B and 661B	03
1816	472	Feed Forked Connection Roller and Stud for 27-1 Machine, obsolete	20
1822	472	Thread Take-up Lever Roller and Stud	20

Numerical List of Parts.

No.	Plate	Name	Each
1832	472	Feed Forked Connection Roller and Scr. Stud	20
1833	472	" Dog Carrier Roller and Screw Stud...	20
1836	472	Needle Bar Clamp Cam Roller and Scr. Stud.	20
2002	471	Arm Dowel Pin.....	02
2007	471	" Spool ".....	02
2011	467	Bed Hinge, Nos. 2012, 2016 and 2142, for 27-1 and 27-2 Machines, obsolete.....	02
2012	467	Bed Hinge (half butt) for 8208, obsolete.....	01
2013	—	" " Bolt 505B with 1537E, 2016, 2018 and two 2015, for $\frac{1}{8}$ in. table, for 27-1 and 27-2 Machines, obsolete.....	18
2014	—	Bed Hinge Bolt 543B with 1537E, 2016, 2018 and two 2015, for drawing room cabinet, for 27-1 and 27-2 Machines, obsolete.....	18
2015	471	Bed Hinge Cushion (rubber) for 2013 and 2014, obsolete.....	02
2016	467	Bed Hinge Pin for 2011, 2013 and 2014.....	01
2017	471	" " Rivet for 2012, obsolete...per 100.	25
2018	471	" " Washer for 2013 and 2014, obsolete	01
2019B	—	Clamp Stop Motion complete, Nos. 248A, 256B, 2020 and 15152.....	75
2020	467	Clamp Stop Motion Clamp Washer.....	05
*2021	—	" " " Flanged Bushing.....	35
2022	471	" " " " " Pin....	01
2049	471	Feed Rock Shaft Crank Pin.....	01
2054	471	Needle Clamp with 552e.....	25
2060A	467	Presser Bar Lifter.....	20
2061A	467	" " " for 70E for 27-1 Machine, obsolete.....	20
2070	471	Presser Bar Spring Washer.....	01
2071B	470	" Foot for 27-1 to 27-3 Machines.....	25
2102	471	Tension Disc.....	05
2106	471	Thread Eyelet for 27-1 Machine, obsolete...	01
2108	471	" Guard " " " " " ".....	01
2117	471	Band Wheel Crank Pin for 25005 and 28003.	01
2117	471	Thread Take-up Cam Pin.....	01
2142	467	Bed Hinge (half butt) for wood table for 27-1 and 27-2 Machines, obsolete.....	01
2269	1126	Rocking Frame Connecting Link Bracket Pin (Trimnings for Drawing Room Cabinet).	01
2460	468	Bobbin Winder Friction Ring (rubber) for 8263.....	02
2749	471	Bobbin Winder Worm Wheel Friction Washer for 8254 and 8263.....	01
2804B	466	Balance Wheel, 3 in. pulley, for 27-3 and 27-4 Machines.....	1 00
2807	471	Machine Hinge Bolt Washer for 8292 and 8296	01
2809	1126	" " Connection Hinge Pin for 2992B.....	01
2810	467	Machine Hinge Plate for 2992B.....	20

Numerical List of Parts.

No.	Plate	Name	Each
2827	471	Face Plate Thread Guard with 8505, for 8210 and 8246.....	02
2992B	1125	Machine Hinge complete, Nos. 2809, 2810, 2993 and two nickel plated wood screws $\frac{3}{4}$ in. No. 10 (Trimnings for Cabinet Table)	30
2993	1125	Machine Hinge Connection for 2992B.....	10
5604	1125	Latch Spring Rivet for 28037 and 28038.....per 100..	10
6267	1125	Hemmer Folder for 25886 and 26152.....	02
7958	471	Pitman Stud Pin for 25202, 25227, 25236 and Trimnings for Drawing Room Cabinet..	01
*8201	-	Arm with 284B, 8202 and 8206, for 27-1 and 27-2 Machines, obsolete.....	4 00
*8202	-	Arm Side Plate for 8201, obsolete.....	40
8203	466	" Rock Shaft with 122E.....	75
8204	471	" " " Centre (upper).....	10
8205	466	" Shaft.....	1 20
8206	467	" " Bushing.....	25
8207	466	Balance Wheel, 3 in. pulley, for 27-1 and 27-2 Machines, obsolete.....	1 00
*8208	-	Bed for 27-1 Machine, obsolete.....	4 00
8209	466	Belt Cover for 27-1 and 27-2 Machs., obsolete	16
8210	466	Face Plate, 2 $\frac{5}{16}$ in. wide, with 2827.....	50
8211	467	Feed Cam with 448e.....	30
8212	470	" Dog, two teeth right of needle (rounded corner) for 27-1 to 27-3 Machines, obsolete	35
8213	470	Feed Dog, without teeth at right of needle, for 27-1 to 27-3 Machines, obsolete.....	35
8214	467	Feed Dog Carrier.....	30
8215	466	" Forked Connection with 175B.....	80
8216	467	" Regulator.....	35
8217	471	" " Friction Washer.....	01
8218	466	" Rock Shaft 8219 with 8220.....	50
8219	466	" " " " " ".....	35
8220	467	" " " Crank with 460e.....	15
8221	466	Needle Bar.....	40
8222	467	" " Clamp Cam with 175E and 400e..	35
8223	471	" " Thread Guard.....	01
8224	466	Presser Bar.....	35
8225	467	" " Spring.....	05
8226	470	" " " Bracket with 400 and 453e	25
8227	—	Shuttle for 27-1 Machine, obsolete.....	75
8228	470	" Bobbin.....	05
8229	467	" Bell Crank with two 175E.....	60
8231	467	" Carrier.....	35
8232	466	" Pitman with two 175B.....	50
8233	468	" Slide (front) for 27-1 Mach., obsolete	18
8234	468	" " (back) " " " ".....	18
8235	471	" Tension Spring for 27-1 Machine, obsolete.....	08

No.	Plate	Name	Each
8237	470	Tension Releaser.....	\$ 04
8238	471	" Spring.....	05
8239	470	Throat Plate for 8212, obsolete.....	20
8240	470	" " " 8213, ".....	20
8241	468	Thread Take-up Cam with 448c.....	50
8242	468	" " Lever with 1822.....	50
8243	468	" " " Cover.....	10
8244	471	" " Spring.....	05
8245	470	" " " Regulator Plate.....	03
8246	---	Face Plate, 2½ in. wide, with 2827, for 27-1 and 27-2 Machines, obsolete.....	50
8247	466	Bobbin Winder complete, Nos. 8248 to 8253 (run by belt) for 27-1 and 27-2 Machines, obsolete.....	45
8248	471	Bobbin Winder Back Centre for 8247, obsolete.....	02
8249	471	" " " Head for 8247, obsolete.....	03
8250	471	Bobbin Winder Back Centre Spring.....	02
8251	466	" " Frame for 8247, obsolete.....	15
8252	470	" " Pulley " " ".....	08
8252	470	" " Spindle Pulley for 8254.....	08
8253	470	" " " and Cup for 8247, obsolete.....	10
8254	466	Bobbin Winder complete (automatic, run by belt on pulley) Nos. 50B, 92B, 219A, 537A, 1528E, 2749, 8250, 8252 and 8255 to 8261, for 27-3 and 27-4 Machines.....	1 00
8255	471	Bobbin Winder Back Centre for 8254 & 8263.....	03
8256	471	" " " " Head for 8254 and 8263.....	03
8257	470	Bobbin Winder Cam for 8254 and 8263.....	05
8258B	466	" " Frame for 8254 and 8263.....	17
8259	468	" " Thread Guide for 8254 & 8263.....	10
8260	471	" " " " Spring for 8254 and 8263.....	02
8261	468	Bobbin Winder Worm Wheel for 8254 and 8263.....	12
8263	466	Bobbin Winder complete (automatic, run by friction ring) Nos. 50B, 92B, 219A, 537A, 1528E, 2749, 8250, 8255 to 8261 and 8265, for hand attachment.....	1 10
8265	468	Bobbin Winder Spindle Pulley for 8263.....	15
8266	466	Feed Forked Connection with 1816, for 27-1 Machine, obsolete.....	80
8267	468	Feed Regulator for 535E, for 27-1 Machine, obsolete.....	25
8268	468	Needle Bar Cam with 400c and 447c, for 27-1 Machine, obsolete.....	40
8269	468	Presser Bar Spring Bracket with 174E, for 27-1 Machine, obsolete.....	45
8270	471	Thread Take-up Spring for 27-1 Machine, obsolete.....	03

No.	Plate	Name	Each
8271	470	Thread Take-up Spring Regulator Plate for 27-1 Machine, obsolete.....	\$ 03
8272	468	Arm Rock Shaft Eccentric Bush for 27-1 Machine, obsolete.....	35
8274	471	Needle Bar Cam Pin for 27-1 Machine, obsolete.....	01
8275	---	Hand Attachment complete. Old No. 137, obsolete.....	3 00
8276	469	Hand Attachment Body for 8275, obsolete.....	50
8277	466	" " " Bracket for 8275, obsolete.....	30
8278	466	Hand Attachment Body Bracket Cap (belt cover) for 8275, obsolete.....	25
8279	468	Hand Attachment Crank for 8275, obsolete.....	20
8280	471	Crank Hinge Pin for 8317.....	01
8281	471	" Lock Pin for 8392.....	02
8282	471	" " " Spring for 8392.....	01
8283	469	Hand Attachment Driver for 8275, obsolete.....	20
8284	471	Driver Finger for 8317.....	10
8285	471	" " Hinge Pin for 8317.....	01
8286	471	" " Lock Spring for 8317.....	02
8287	469	Hand Attachment Gear for 8275, obsolete.....	35
8288	469	" " " Cover for 8275, obsolete.....	10
8289	469	Hand Attachment Pinion for 8275, obsolete.....	35
8290	466	Face Plate for needle and foot bars for 27-1 Machine, obsolete.....	1 00
*8291	---	Bed for 27-2 and 27-3 Machines.....	4 00
8292	---	Machine Hinge 8306 with 1572E and 2807 (Trimings for Cover Set).....	25
8291	471	Machine Hinge Connection for 8306 and 8307.....	06
8295	471	" " " Hinge Pin for 8306 and 8307.....	01
8296	---	Machine Hinge 8307 with 1572E and 2807 (Trimings for Drawing Room Cabinet).....	30
8297	467	Shuttle Slide (front) for 27-2 to 27-4 Machines.....	18
8298	467	" " (back) " " " " ".....	18
*8299	---	Arm with 8206, for 27-4 Machine.....	4 00
8300	467	" Side Cover for 27-3 and 27-4 Machines.....	15
*8301	---	Shuttle Body.....	60
8302	1127	Drip Pan for 27-1 Machine, obsolete.....	30
8303	714	" " " drawing room cabinet.....	20
8304	243	" " " 27-2 to 27-4 Machines.....	20
8306	467	Machine Hinge, Nos. 525B, 8294 and 8295, for 8292.....	21
8307	467	Machine Hinge, Nos. 661B, 8294 and 8295, for 8296.....	26
8308	470	Shuttle complete, 8301 with 215, 8228 and 8309, for 27-2 and 27-3 Machines, obsolete.....	75
8309	470	Shuttle Tension Spring for 8308, obsolete.....	08
8311	466	Body Bracket for 8317.....	30

Numerical List of Parts.

No.	Plate	Name	Each
8312	466	Body Bracket (Cap (belt cover) for 8317.....	\$ 25
8313	469	Driver for 8317.....	20
8315	466	Belt Cover for 27-3 and 27-4 Machines.....	16
8316	468	Crank Handle Spindle for 8381.....	10
8317	—	Hand Attachment complete, Nos. 233B, 659D, 660D, 8280, 8284 to 8286, 8311 to 8313, 8377, 8379, 8392 to 8394 and two each 145, 183 and 399A.....	3 00
8319	1125	Feed Dog, two teeth right of needle (square corners) for 27-1 Machine, obsolete.....	35
8320	1125	Throat Plate for 8319, obsolete.....	20
8321	1125	Feed Dog, four teeth right of needle (square corners) for 27-4 Machine.....	35
8322	1125	Presser Foot for 27-4 Machine.....	25
8323	1125	Throat Plate for 8321.....	20
8326	1125	Shuttle Tension Spring.....	08
8327	1125	" complete, 8301 with 215, 8228 and 8326	75
*8328	—	Bed for 27-4 Machine.....	4 00
8374	—	Gear for 8392.....	35
8377	469	Body for 8317.....	50
8379	469	Crank complete, Nos. 8380, 8381 and 8383, for 8317.....	35
8380	468	Crank Handle (wood) for 8379.....	03
8381	—	" " Spindle 8316 with 8382 for 8379	10
8382	1125	" " " Washer for 8381.....	01
8383	468	" Lever for 8379.....	20
8392	469	Gear 8374 with 8281 and 8282, for 8317.....	35
8393	469	" Cover for 8317.....	10
8394	469	Pinion for 8317.....	35
8505	1126	Face Plate Thread Guard Rivet for 2827, per 100.....	10
8879	467	Arm Spool Pin Washer (cloth).....	01
11742	471	Pitman Washer for 25202, 25227, 25236 and Trimmings for Drawing Room Cabinet..	01
15152	467	Clamp Stop Motion Flanged Bushing 2021 with two 4620.....	35
25005	243	Band Wheel, 12½ in. diam., with 2117 and 25010, for 25202 and 25227.....	90
25010	243	Band Wheel Crank for 25005.....	15
25027	471	Belt Hook for 25134, 25135 and 25187.....	01
25031	243	" Guide for 25202.....	06
25032	468	" Shifter for 25049.....	05
25033	470	" " Spring for 25049 and 28011.....	02
25036	243	Brace with three each 297c and 1507E, for 25202.....	1 45
25047	468	Skeleton Drawer Case Drawer Spring (Trim- mings for Cover Set and Cabinet Table)..	02
25049	243	Dress Guard with 34D, 25032 and 25033, for 25202, 25227 and 25236.....	45
25056	243	Drop Leaf Support (Trimmings for Cover Set).....	12

Numerical List of Parts.

No.	Plate	Name	Each
25058	243	Drop Leaf Support Bracket (Trimmings for Cover Set).....	\$ 10
25063	243	Leg with two each 25068 and 25069, for 25202	1 80
25068	468	" Roller for 25063, 25126 and 25195.....	05
25069	468	" " Pin for 25063, 25126 and 25195....	01
25070	471	Machine Cushion Tack, rubber (Trimmings for Cover Set and Drawing Room Cabinet)	01
25074	243	Pitman (adjustable) complete with two each 558E, 1570E, 25075 and 25123, for 25202...	25
25075	471	Pitman Adjusting Screw Washer for 25074 and 25112.....	01
25076	468	Skeleton Drawer Case Support (Trimmings for Cover Set and Cabinet Table).....	03
25081	243	Treadle for 25202, 25227 and 25236.....	65
25086	243	Wrench for 1507, 1510 and 1515, for 25202, 25227 and 25236.....	10
25110	1127	Belt (Guide for 25227 and 25236.....	06
25111	1127	Brace with three each 297c and 1507E, for 25227.....	1 45
25112	1127	Pitman (adjustable) complete with two each 558E, 1570E, 25075 and 25123, for 25227 and 25236.....	25
25113	468	Machine Latch Spring (Trimmings for Cover Set).....	10
25123	—	Pitman Adjusting Block for 25074 and 25112	02
25126	1127	Leg with two each 25068 and 25069, for 25227	1 80
25134	—	Belt, size $\frac{3}{16}$ in., length 68½ in., with 25027, for 25227 and 25236.....	20
25135	—	Belt, size $\frac{3}{16}$ in., length 67½ in., with 25027, (Trimmings for Drawing Room Cabinet)..	20
25152	1125	Machine Cushion, felt (Trimmings for Cabi- net Table).....	01
25184	1127	Brace (sectional) complete, Nos. 25185, 25186 and three 507E, for 25202.....	1 60
25185	1127	Brace Section (right) with two each 297c and 1507E, for 25184.....	1 05
25186	1127	Brace Section (left) with 297c and 1507E, for 25184.....	55
25187	—	Belt, size $\frac{3}{16}$ in., length 62 inches, with 25027, for 25202.....	20
25192	1129	Band Wheel, 12½ in. diam., with 972c, for 25236.....	90
25193	1129	Band Wheel Crank for 25236.....	15
25194	1129	Brace with three each 297c and 1507E, for 25236.....	1 45
25195	1129	Leg with two each 25068 and 25069, for 25236	1 80
25200	1129	Wrench for 972c for 25236.....	10
25202	—	Stand complete for Cover Set, Nos. 504E, 507E, 7958, 11742, 25005, 25031, 25036, 25049, 25074, 25081, 25086, 25187, two 25063 and four each 506E and 25076.....	8 00

Numerical List of Parts.

No.	Plate	Name	Each
25227	—	Stand complete, for Cabinet Table, Nos. 504E, 7958, 11742, 25005, 25049, 25081, 25086, 25111, 25112, 25134, two 25126 and four each 506E and 25076.....	7 95
25236	—	Stand complete, for Cabinet Table, Nos. 504E, 7958, 11742, 25049, 25081, 25086, 25112, 25134, 25192 to 25194, 25200, two 25195 and four 748E. Furnished by South Bend Factory.....	8 15
25525	944	Bias Gauge (Attachments, Style No. 11)....	10
25526	944	Binder with 582A (Attachments, Style No. 11)	15
25527B	944	Cloth Guide (Attachments, Style No. 11)....	10
25528	944	Hemmer, $\frac{3}{8}$ in. hem, with 582A (Attachments, Style No. 11).....	15
25529	944	Hemmer, $\frac{1}{2}$ in. hem, with 582A (Attachments, Style No. 11).....	15
25530	944	Hemmer, $\frac{3}{4}$ in. hem, with 582A (Attachments, Style No. 11).....	15
25531	944	Hemmer, $\frac{7}{8}$ in. hem, with 582A (Attachments, Style No. 11).....	15
25532	944	Hemmer, $\frac{1}{2}$ in. hem, with 582A (Attachments, Style No. 11).....	15
25533	944	Hemmer Foot with 291B (Attachments, Style No. 11).....	40
25534	944	Quilter with 655E, 1566B, 26187 and 26520 (Attachments, Style No. 11).....	20
25537	944	Screw Driver, machine (Attachments, Style No. 11).....	10
25538	944	Screw Driver, shuttle tension (Attachments, Style No. 11).....	05
25539	944	Stiletto (Attachments, Style No. 11).....	05
25542	944	Under Braider Foot (Attachments, Style No. 11).....	15
25547	944	Under Braider with 561B and 26612 (Attachments, Style No. 11).....	25
25597	—	Box with Racks, Nos. 26180, 26181, 26185, 26190, 26193, 26194, 26304, 26306, 26314, two each 26189, 26302 and seven wood screws (Attachments, Style No. 11).....	1 00
25603	944	Ruffler Shirring Plate for 26158.....	10
25884	1126	Hemmer Folder for 26170.....	02
25885	1126	" Tongue for 26170.....	01
25886	1125	" (foot) $\frac{1}{2}$ in. hem, for 27-1 to 27-3 Machines, obsolete.....	35
25888	1125	Hemmer Tongue for 25886 and 26152.....	01
26076	1125	Thread Cutter.....	05
26088	1900	Tucker Foot for 26513.....	18
26089	1900	" Frame for 26513.....	12
26090	1900	" Rocking Bar for 26513.....	10
26092	1126	" Stop Bracket Rivet (turned for repairs) for 26513.....per 100	15

Numerical List of Parts.

No.	Plate	Name	Each
26092	1126	Tucker Tuck Smoothing Spring Rivet for 26513.....per 100...\$	15
26093	1126	Tucker Stop Bracket for 26513.....	01
26094	1900	" Tuck Guide for 26513.....	05
26095	1900	" " Marking Plate for 26513.....	10
26097	1900	" " Marker Guide Rod for 26513....	05
26098	1900	" " Smoothing Spring " " ...	05
26152	1125	Hemmer (foot) $\frac{1}{2}$ in. hem, for 27-4 Machine.	35
26156	944	Ruffler for 26158.....	65
26157	944	Set complete in folding box (Attachments, Style No. 11) Nos. 287B, 25525 to 25534, 25537 to 25539, 25542, 25547, 25597, 26158, 26513, five 8228 and eleven needles.....	5 00
26158	—	Ruffler 26156 with 25603 (Attachments, Style No. 11).....	75
26170	1126	Hemmer (foot) $\frac{5}{8}$ in. hem, for 27-4 Machine.	30
26180	944	Rack for Nos. 287B, 25525, 25527B and 25537 to 25539.....	08
26181	944	Rack for Nos. 25526 and 25528 to 25532.....	10
26185	944	" " No. 25547.....	02
26187	1126	Quilter Clamp for 25534.....	08
26189	1126	Rack Pin for 26190.....per 100...	05
26190	944	" for No. 8228.....	04
26193	944	Box Spring Catch Hook (Attachments, Style No. 11).....	02
26194	944	Box Spring Catch (Attachments, Style No. 11)	03
26302	1126	" " " and Hook Rivet (Attachments, Style No. 11).....per 100...	25
26304	944	Rack for No. 26513.....	02
26306	944	" " Nos. 25533, 25534, 25542 and 26513.	05
26314	944	" " No. 26158.....	04
26458	1900	Tucker Tuck Marking Plate Spur for 26513.	01
26459	1126	" " " " Rivet (furnished for repairs) for 26513....per 100...	15
26460	468	Oiler with Cap and 26462, for 26461.....	05
26461	—	" 26460, filled with oil (Accessories)....	08
26462	468	Oiler Spout, 2 in. long, for 26460.....	01
26511	1126	Tucker Rocking Bar Lifting Spring for 26513	02
26512	1900	" Tuck Marker Guide Clamp for 26513	05
26513	1900	" complete, Nos. 233B, 561B, 658B, 26088 to 26090, 26092 to 26095, 26097, 26098, 26458, 26511, 26512, 26554 and 26555 (Attachments, Style No. 11).....	75
26520	—	Quilter Guide for 25534.....	05
26554	1900	Tucker Driving Lever for 26513.....	05
26555	1126	" Rocking Bar Protector for 26513....	02
26612	1126	Under Braider Guide Stud for 25547.....	03
28903	714	Band Wheel, 10 in. diam., with 2117 & 28006 (Trimmings for Drawing Room Cabinet).	90

Numerical List of Parts.

No.	Plate	Name	Each
28005	714	Band Wheel Bracket with 302c and 1507E (Trimnings for Drawing Room Cabinet).	60
28006	714	Band Wheel Crank for 28003.	15
28011	714	Belt Guide with 34d, 25033 and 28015 (Trimnings for Drawing Room Cabinet).	30
28012	713	Belt Guide Screw Eye (Trimnings for Drawing Room Cabinet).	01
28013	713	Belt Hole Bushing, brass (Trimnings for Cover Set and Drawing Room Cabinet).	04
28014	---	Belt Hole Bushing, nickeled (Trimnings for Drawing Room Cabinet).	04
28015	712	Belt Shifter for 28011.	05
28016	712	Cabinet Case Roller for 28019.	04
28017	712	" " " Frame for 28019.	10
28018	1126	" " " Pin " "	01
28019	712	" " " complete, Nos. 28016 to 28018 (Trimnings for Drawing Room Cabinet).	15
28020	714	Drawer Lock Bolt (Trimnings for Drawing Room Cabinet).	40
28021	712	Drawer Lock Bolt Cam and Plate (Trimnings for Drawing Room Cabinet).	35
28023	712	Drawer Lock Key (Trimnings for Drawing Room Cabinet).	05
28024	712	Hinge, 1 in. x 1 $\frac{1}{8}$ in. (brass) for all doors except lower front (Trimnings for Drawing Room Cabinet).	03
28025	---	Hinge, 1 in. x 1 $\frac{1}{8}$ in. (nickeled) for all doors except lower front (Trimnings for Drawing Room Cabinet).	05
28026	712	Hinge, $\frac{1}{2}$ in. x 2 in. (brass) for left lower front doors (Trimnings for Drawing Room Cabinet).	03
28027	712	Hinge (brass) round end, for top leaf (Trimnings for Cabinet Table and Drawing Room Cabinet).	15
28028	---	Hinge (nickeled) round end, for top leaf (Trimnings for Drawing Room Cabinet).	15
28029	712	Latch for 28037 and 28038.	08
28030	712	" Button (brass) for 28037.	15
28031	---	" " (nickeled) for 28038.	15
28032	1126	" " Hinge Pin for 28037 and 28038.	01
28033	712	" Frame for 28037 and 28038.	15
28034	1126	" Hinge Pin for 28037 and 28038.	01
28037	712	" complete (brass) Nos. 5604, 28029, 28030, 28032 to 28034 and 28200 (Trimnings for Drawing Room Cabinet).	40
28038	---	Latch complete (nickeled) Nos. 5604, 28029, 28031 to 28034 and 28200 (Trimnings for Drawing Room Cabinet).	40

Numerical List of Parts.

No.	Plate	Name	Each
28039	711	Pitman with three wood screws $\frac{1}{4}$ in. No. 5, R. H. B. (Trimnings for Drawing Room Cabinet).	10
28040	714	Rocking Frame with 434c, 28048 and two each 28043 and 28045, grained (Trimnings for Drawing Room Cabinet).	1 25
28041	---	Rocking Frame with 434c, 28048 and two each 28043 and 28045, japanned (Trimnings for Drawing Room Cabinet).	1 25
28042	711	Rocking Frame Bracket (Trimnings for Drawing Room Cabinet).	15
28043	711	Rocking Frame Connecting Link for 28040 and 28041.	04
28044	712	Rocking Frame Connecting Link Bracket (Trimnings for Drawing Room Cabinet).	04
28045	713	Rocking Frame Connecting Link Hinge Stud for 28040 and 28041.	01
28046	711	Rocking Frame Hinge Plate (Trimnings for Drawing Room Cabinet).	10
28047	711	Rocking Frame Spring (Trimnings for Drawing Room Cabinet).	75
28048	711	Rocking Frame Spring Adjusting Block for 28040 and 28041.	25
28049	1126	Rocking Frame Spring Adjusting Block Pin (Trimnings for Drawing Room Cabinet).	02
28050	713	Spring Catch for long front door (Trimnings for Drawing Room Cabinet).	02
28051	713	Spring Catch for end, upper and lower doors (Trimnings for Drawing Room Cabinet).	04
28052	713	Spring Catch Cup for 28051.	01
28053	711	Treadle (Trimnings for Drawing Room Cabinet).	1 20
28054	713	Treadle Centre for 28055.	05
28055	714	" " Bracket with 28054 (Trimnings for Drawing Room Cabinet).	15
28056	711	Treadle Screw Centre Bracket with 296c and 1507E (Trimnings for Drawing Room Cabinet).	30
28069	713	Cover Hook, brass (Trimnings for Cover Set).	02
28071	713	" " Cup Catch, brass (Trimnings for Cover Set).	01
28073	712	Cover Lock, rim (Trimnings for Cover Set).	15
28076	713	" " Escutcheon, brass (Cabinet Trimnings for Cover Set).	02
28076	713	Drawer Lock Escutcheon, brass (Trimnings for Drawing Room Cabinet).	02
28076	713	Partition Lock Escutcheon, brass (Trimnings for Cover Set and Cabinet Table).	02
28078	712	Cover Lock Key (Trimnings for Cover Set).	05

No.	Plate	Name	Each
28078	712	Partition Lock Key (Trimnings for Cover Set and Cabinet Table).....	05
28079	712	Drop Leaf Hinge (Trimnings for Cover Set)	03
28082	713	Partition Lock, revolving bolt, double (Trimnings for Cover Set and Cabinet Table)..	05
28083	713	Partition Lock, revolving bolt, single (Trimnings for Cover Set and Cabinet Table)..	05
28084	1126	Partition Lock Pin (Trimnings for Cover Set and Cabinet Table).....	01
28116	714	Counterbalance Spring (Trimnings for Cabinet Table).....	50
28117	714	Counterbalance Spring Adjusting Collar (Trimnings for Cabinet Table).....	15
28118	1126	Counterbalance Spring Adjusting Pin (Trimnings for Cabinet Table).....	03
28121	712	Hinge, 1½ in. x 1¾ in. (brass) for front lid (Trimnings for Cabinet Table).....	10
28122	714	Machine Lifting Plate for 28199.....	40
28123	1126	" " " Hinge Pin for 28199..	03
28125	712	Trough Hanging Bracket (Trimnings for Cabinet Table).....	05
28127	712	Bail Pull, gilt (Cabinet Trimnings for Cover Set).....	30
28128	712	Bail Pull, gilt (Trimnings for Cabinet Table)	30
28128	712	" " (gilt) long (Trimnings for Drawing Room Cabinet).....	30
28129	---	Bail Pull (gilt) short (Trimnings for Drawing Room Cabinet).....	30
28130	713	Cover Lock Cup Catch, brass (Trimnings for Cover Set).....	05
28196	714	Counterbalance Spring Bracket for 28199...	20
28197	714	" " " (hinge) for 28199.....	30
28198	714	Counterbalance Spring Support Pin, wood (Trimnings for Cabinet Table).....	02
28199	714	Machine Lifting Plate 28122 with 28123 and 28197 (Trimnings for Cabinet Table)....	75
28200	1125	Latch Spring for 28037 and 28038.....	05
28201	---	Hinge, ½ in. x 2 in. (brass) for right lower front doors (Trimnings for Drawing Room Cabinet).....	03

PLATE 243 -ONE-NINTH SIZE

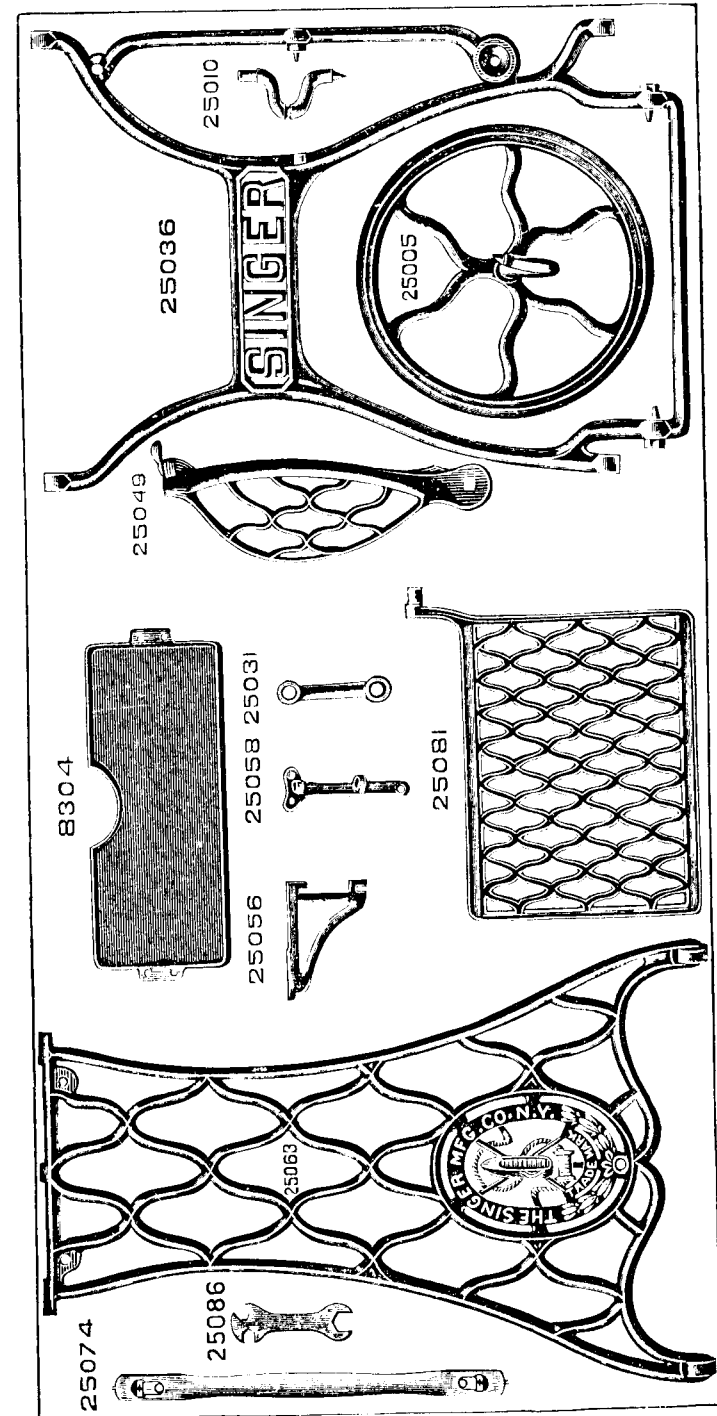


PLATE 466—ONE-FOURTH SIZE

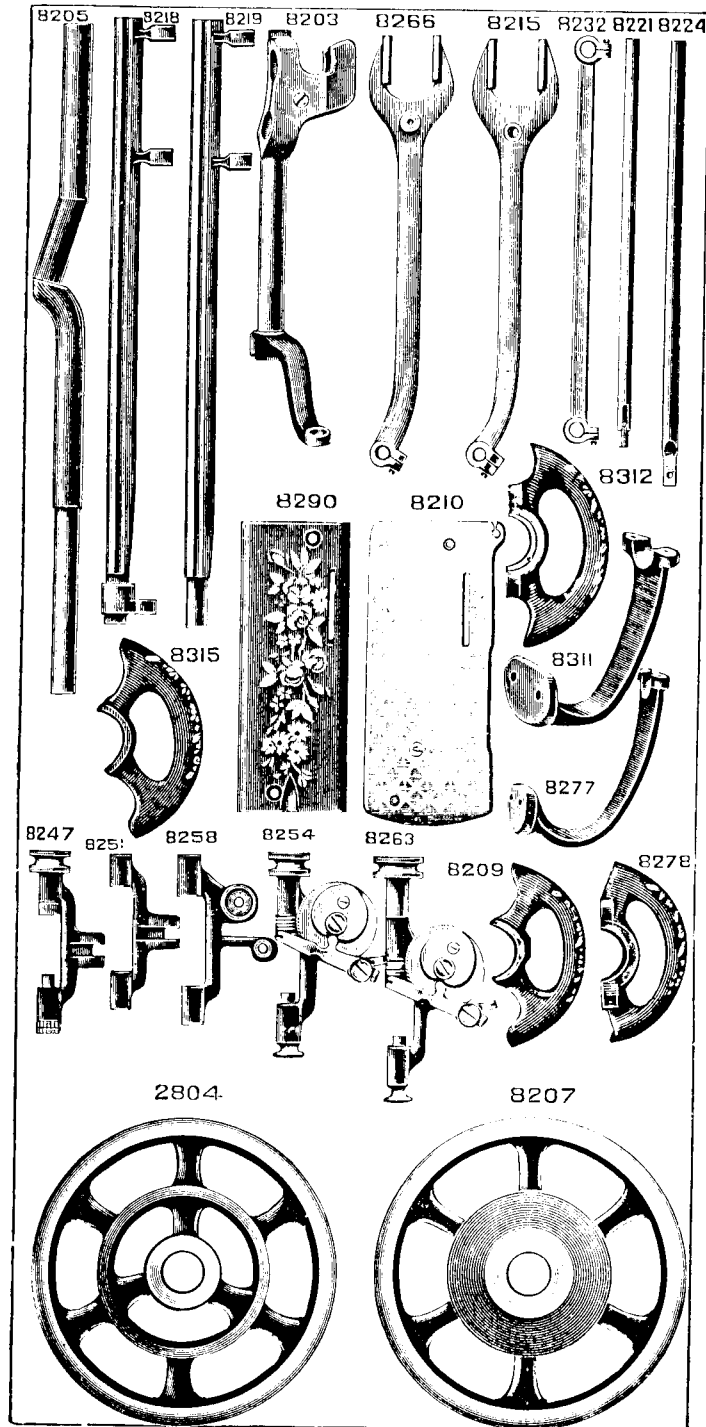


PLATE 467—ONE-HALF SIZE

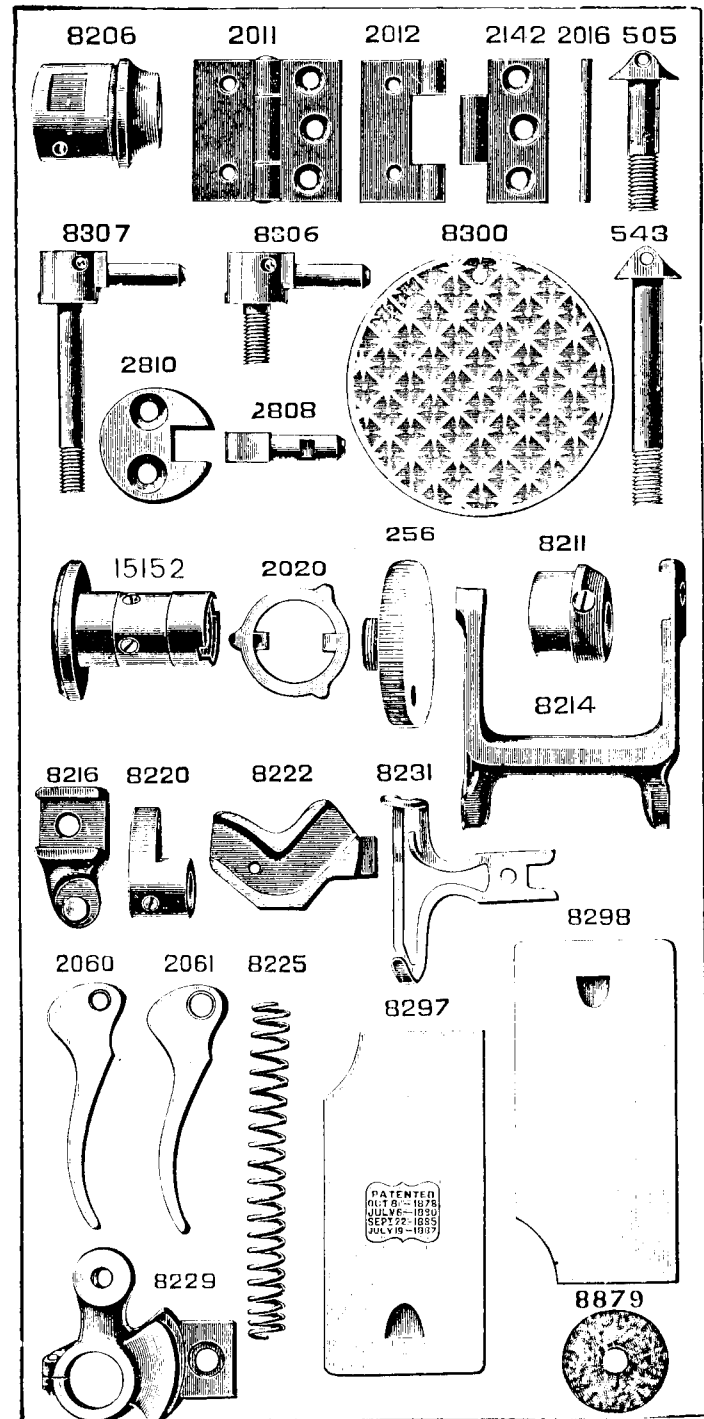


PLATE 468—ONE-HALF SIZE

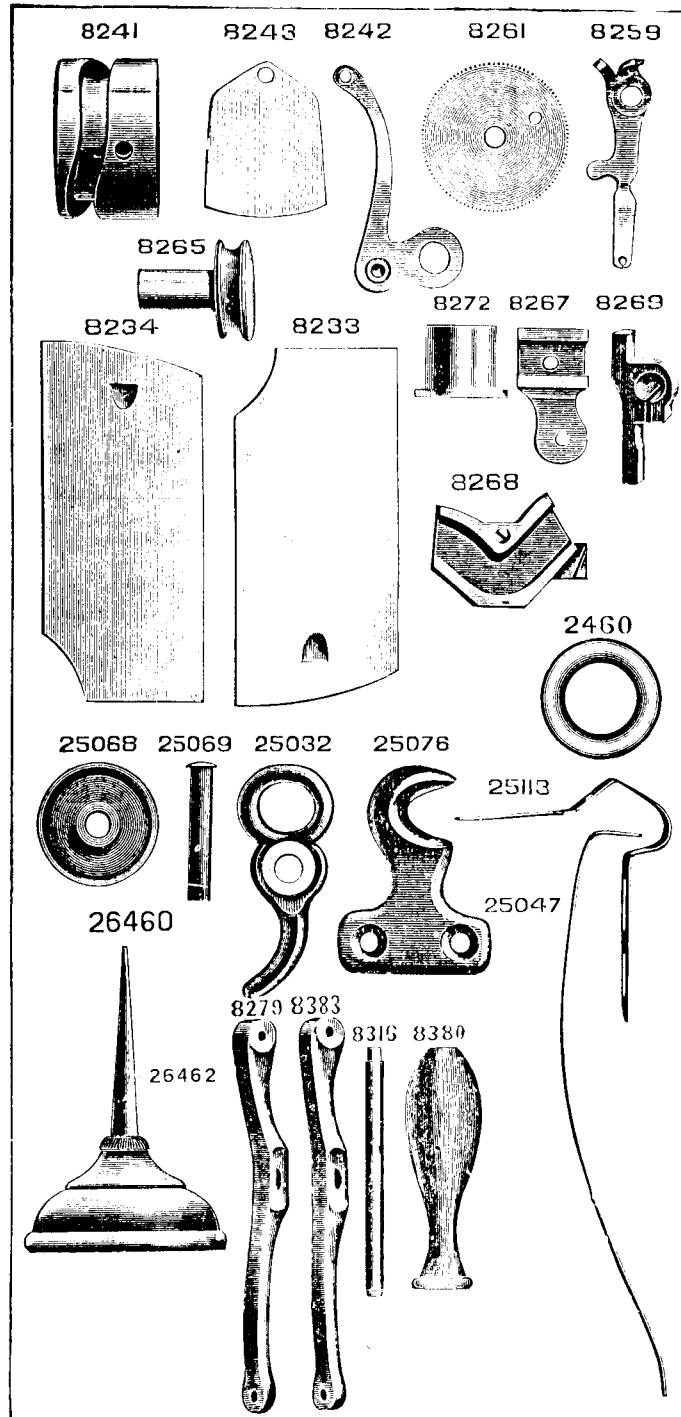


PLATE 469—ONE-HALF SIZE

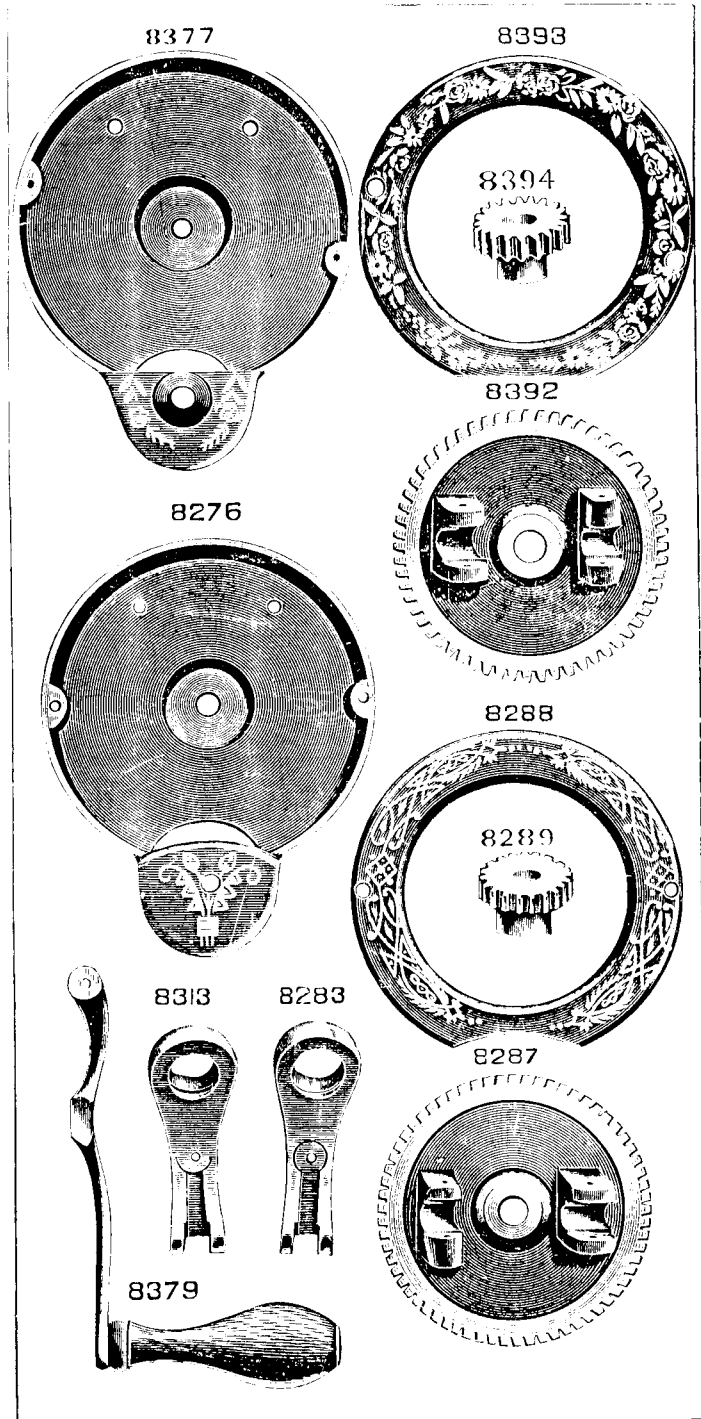


PLATE 470—FULL SIZE

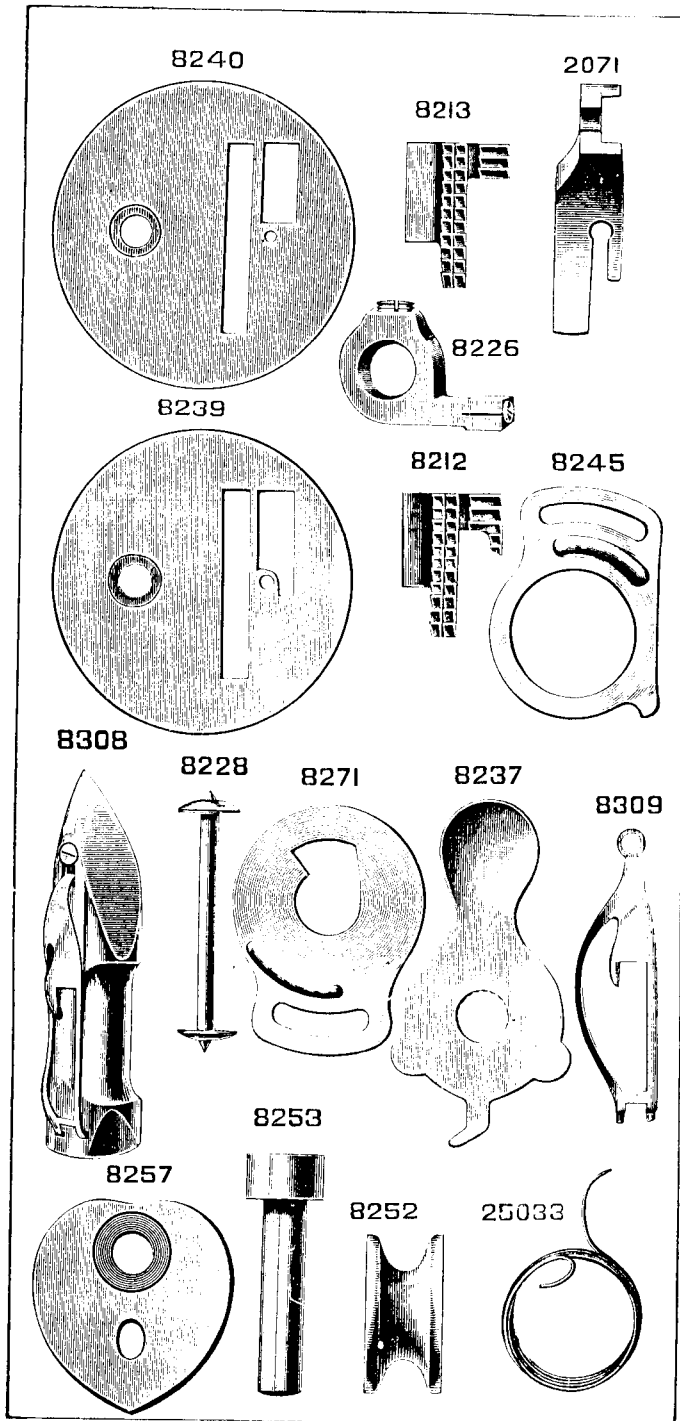


PLATE 471—FULL SIZE

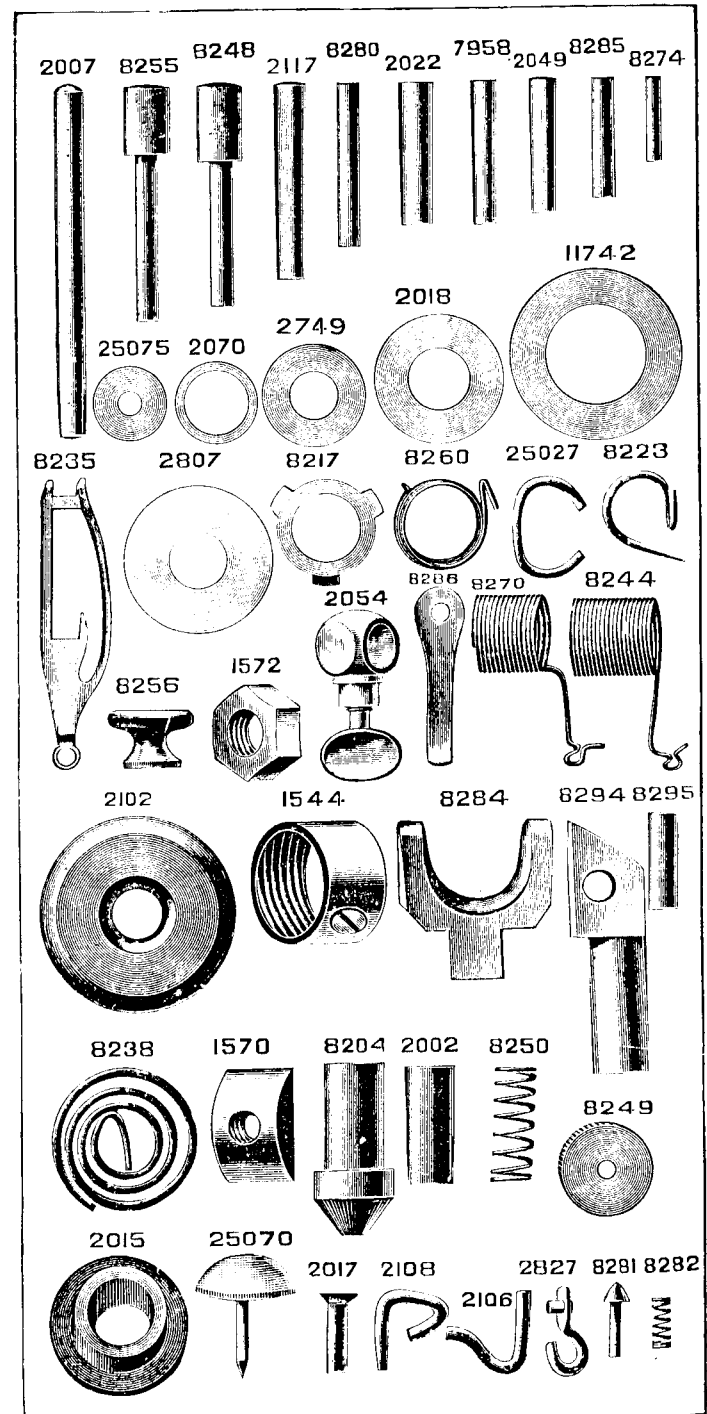


PLATE 472—FULL SIZE

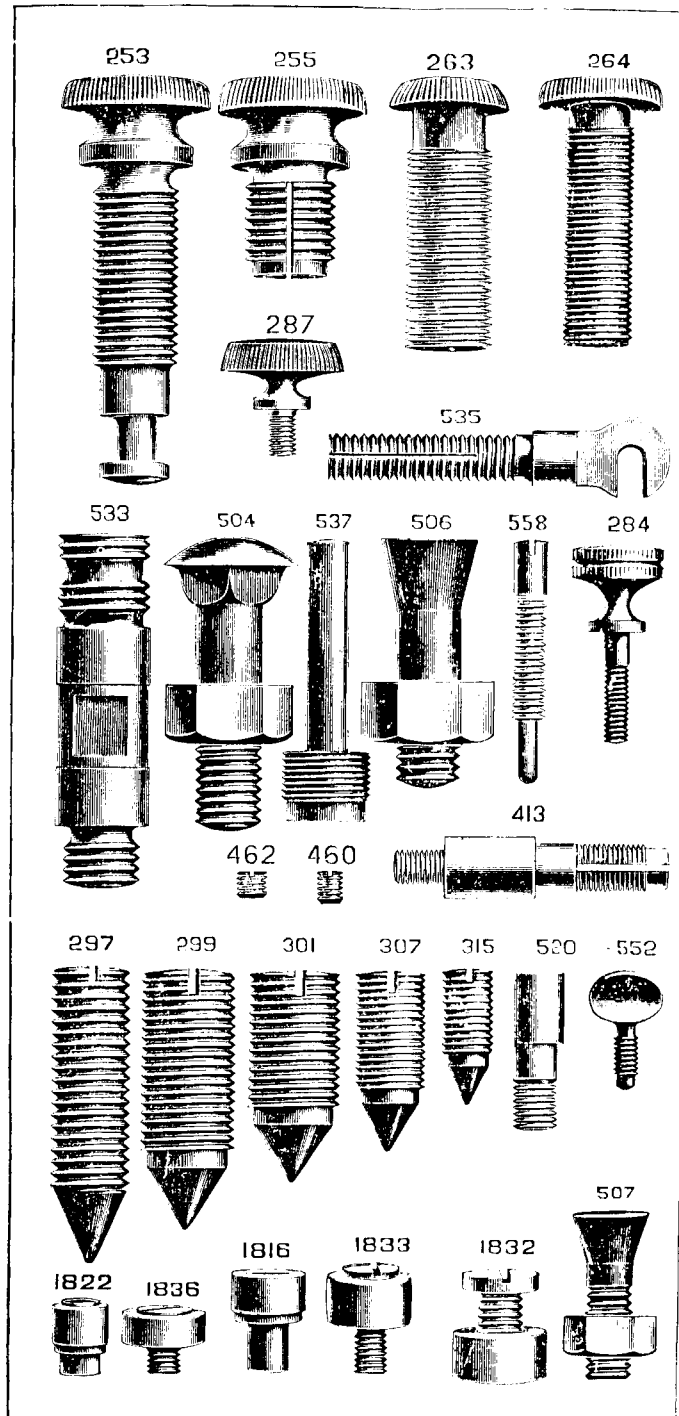


PLATE 473—FULL SIZE

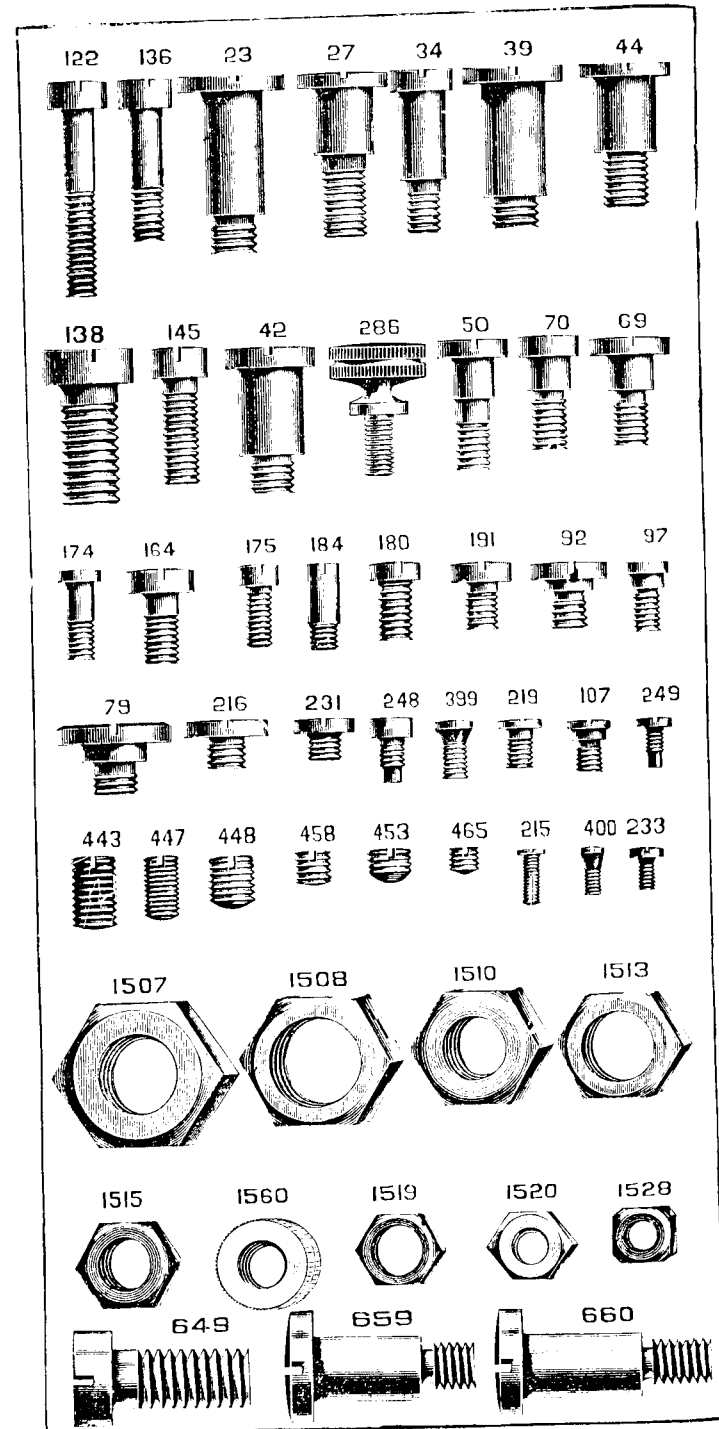


PLATE 712—ONE-HALF SIZE

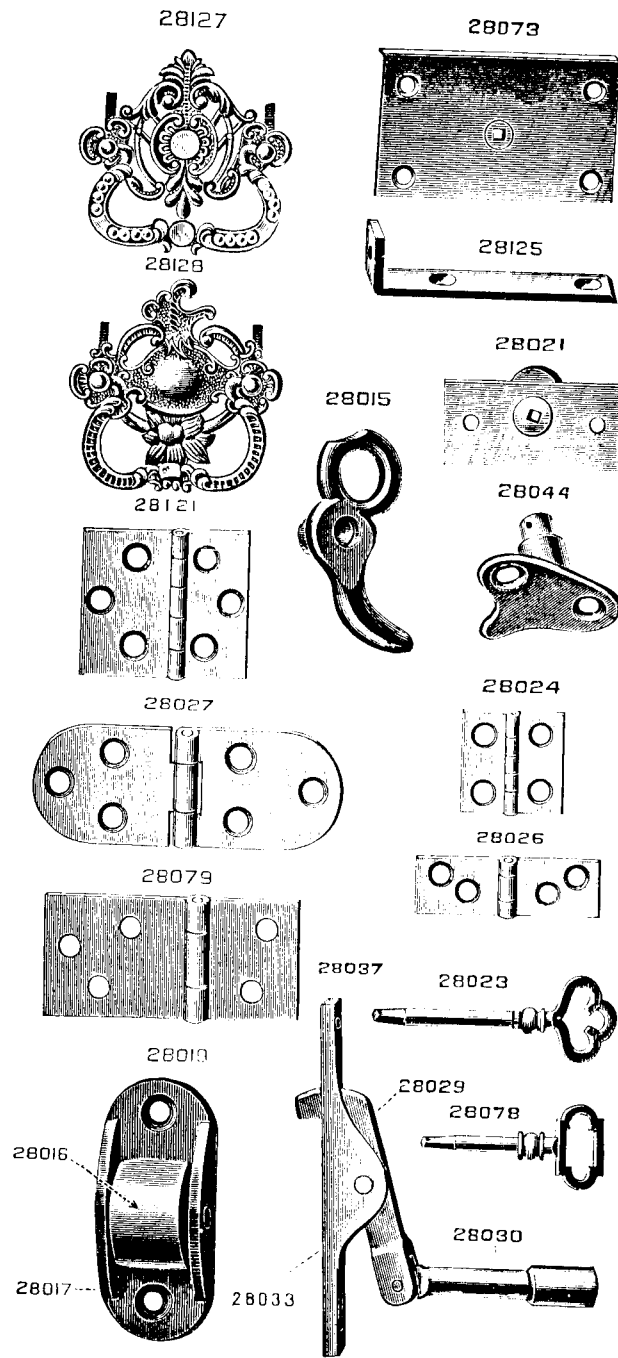


PLATE 713—FULL SIZE

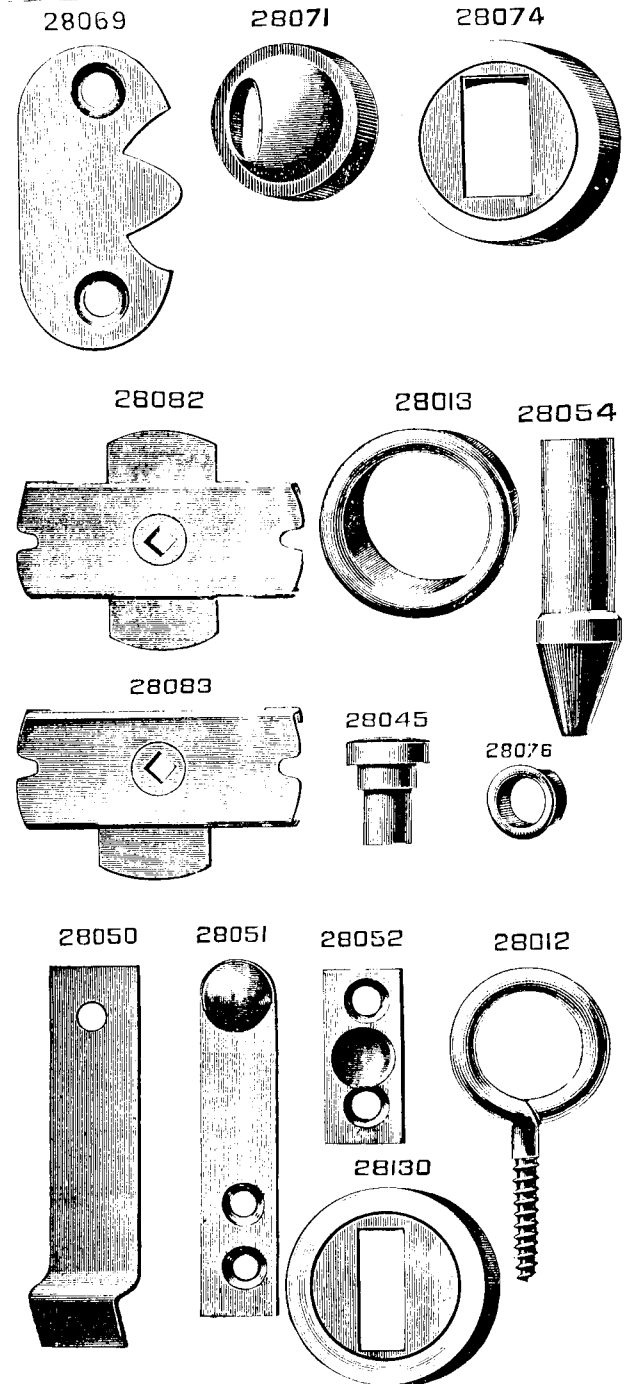


PLATE 714—ONE-EIGHTH SIZE

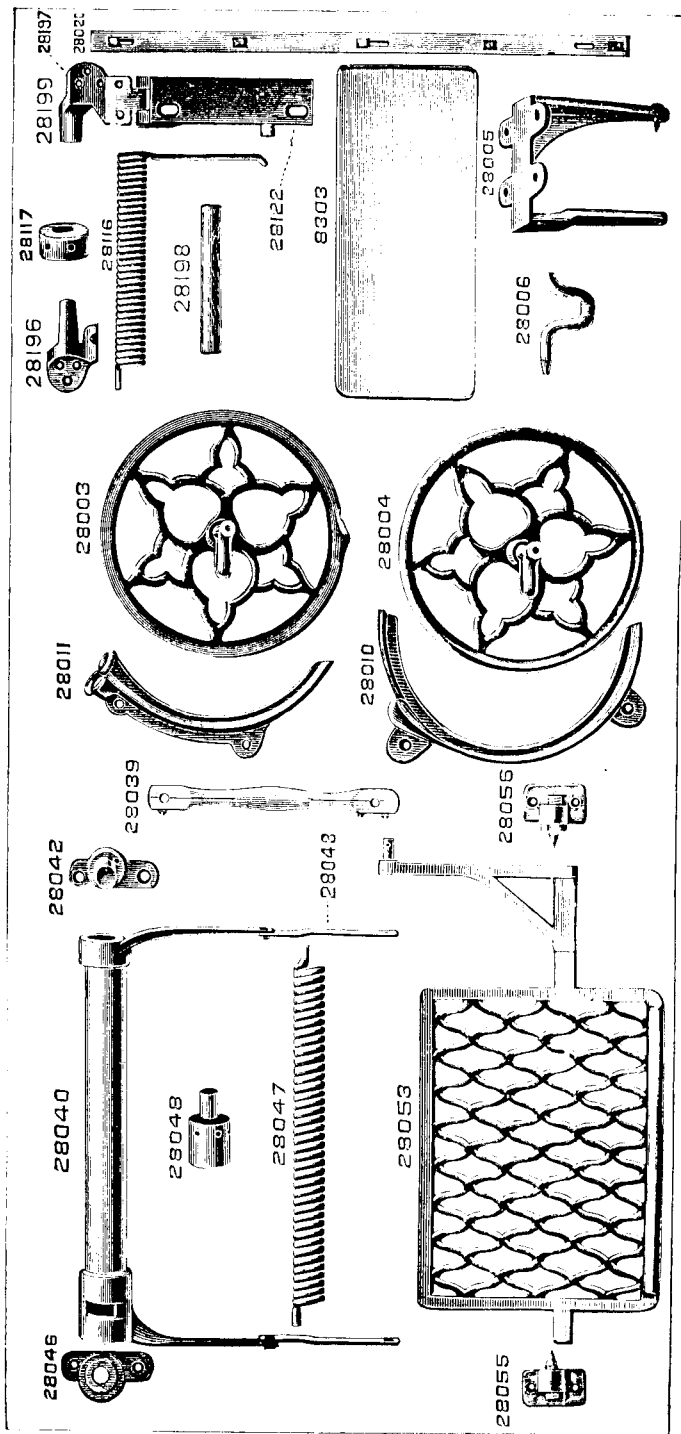


PLATE 944—ONE-HALF SIZE

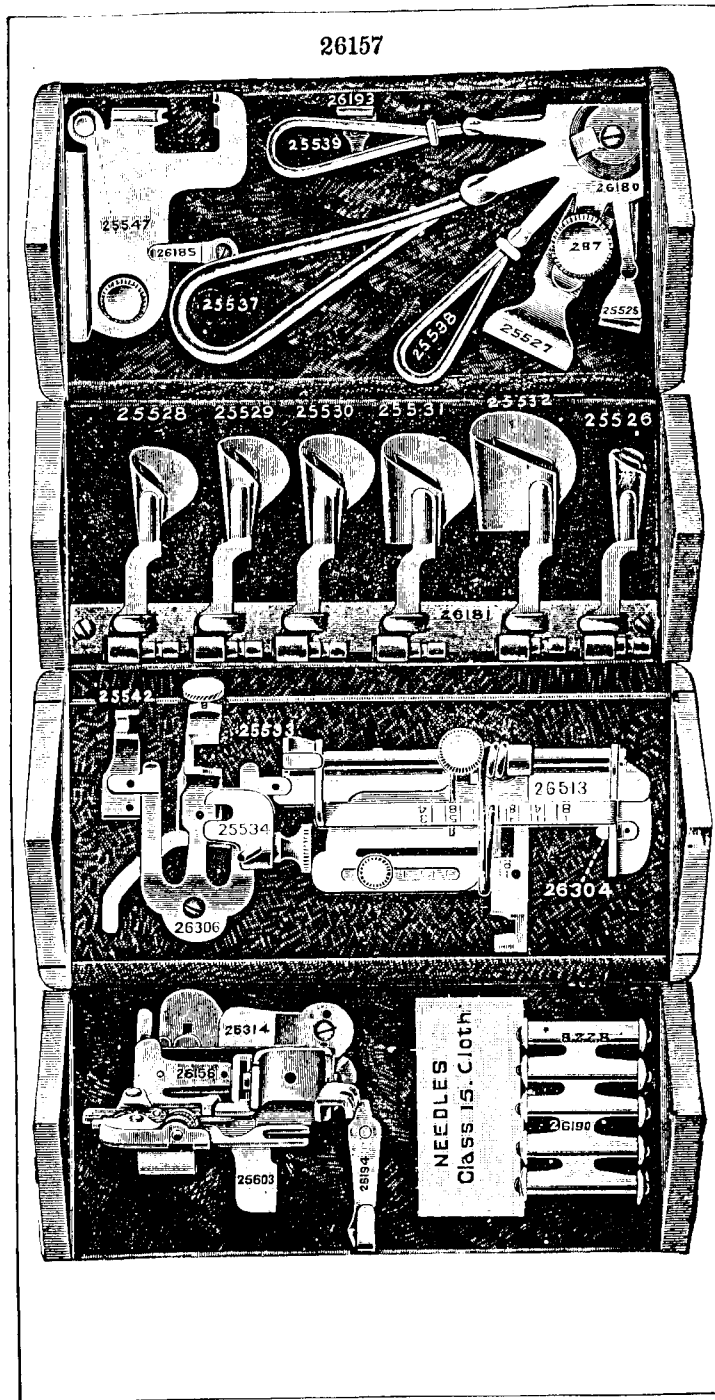


PLATE 1125—FULL SIZE

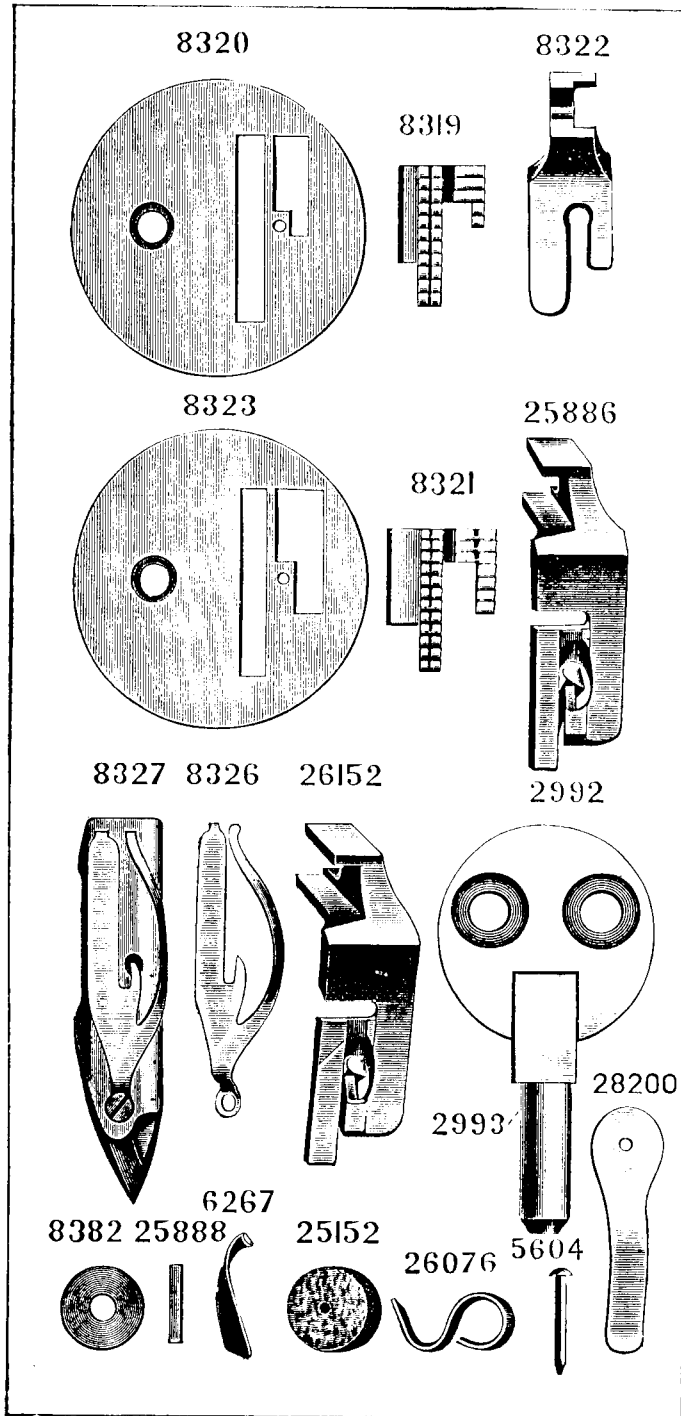


PLATE 1126—FULL SIZE

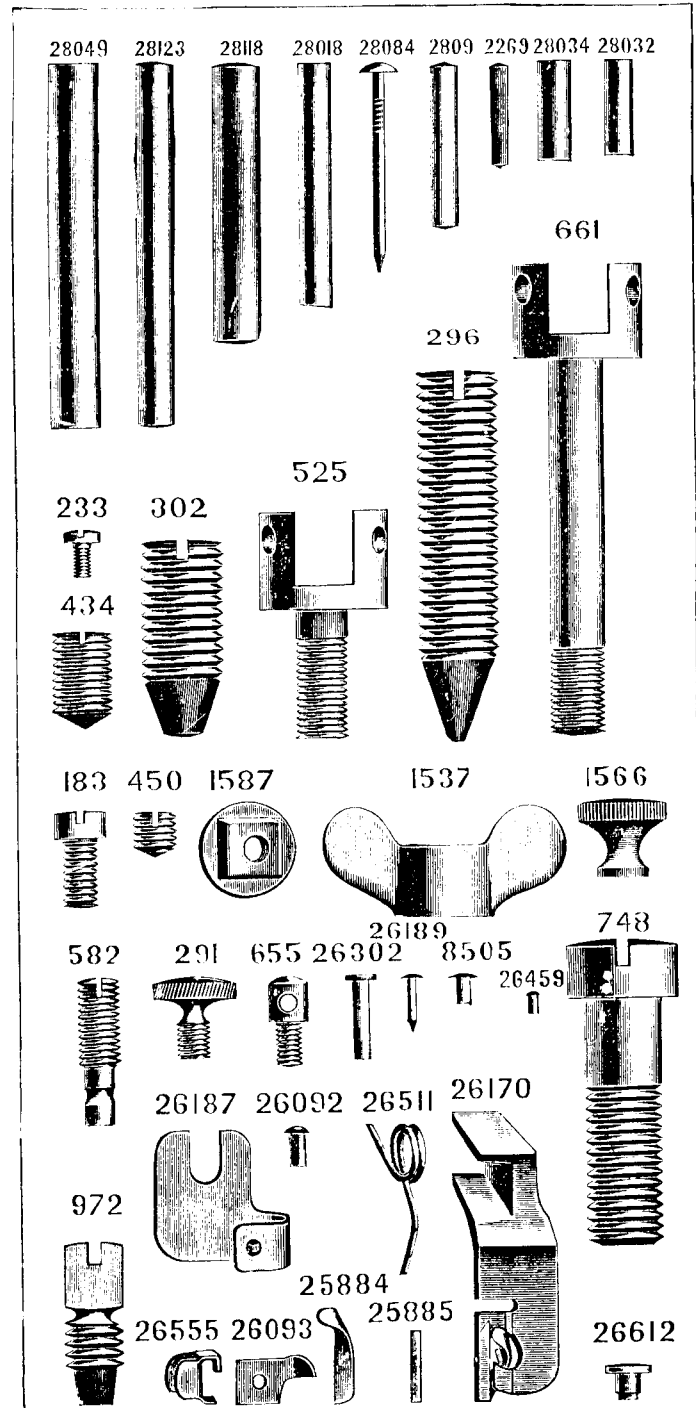


PLATE 1127—ONE-NINTH SIZE

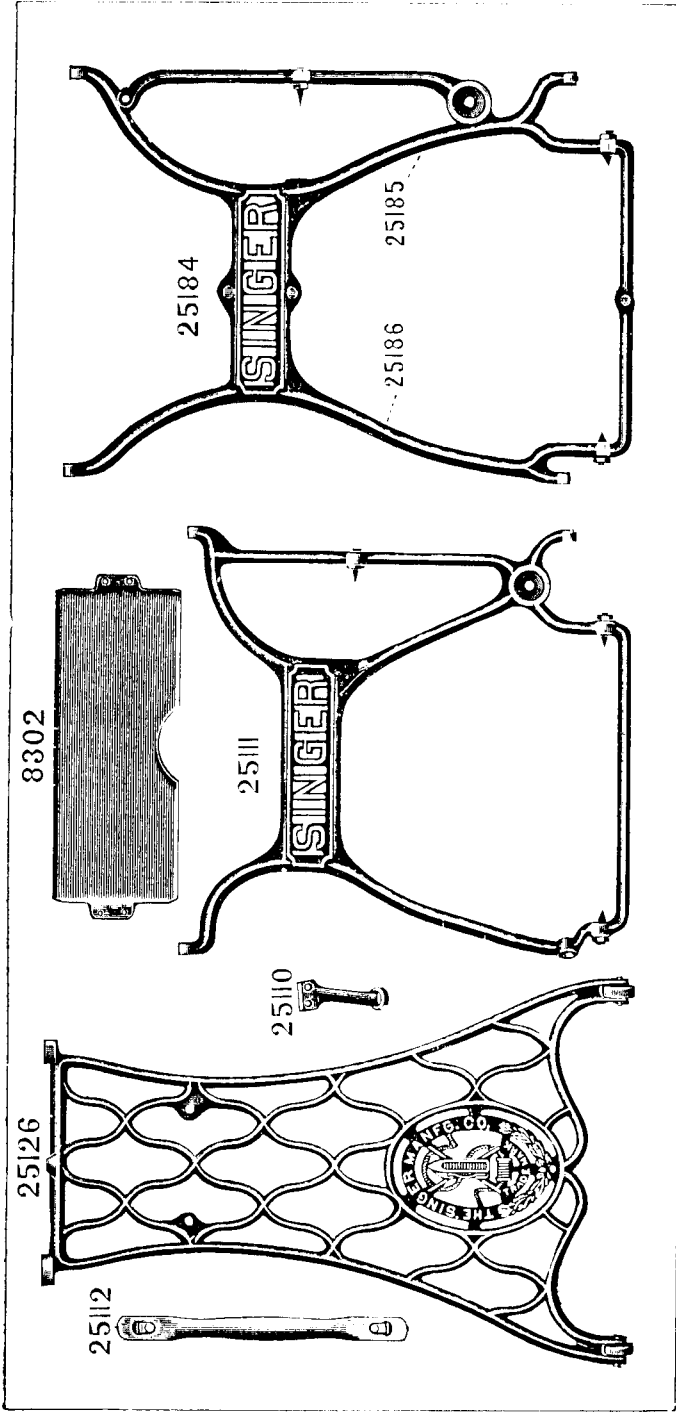


PLATE 1129—ONE-NINTH SIZE

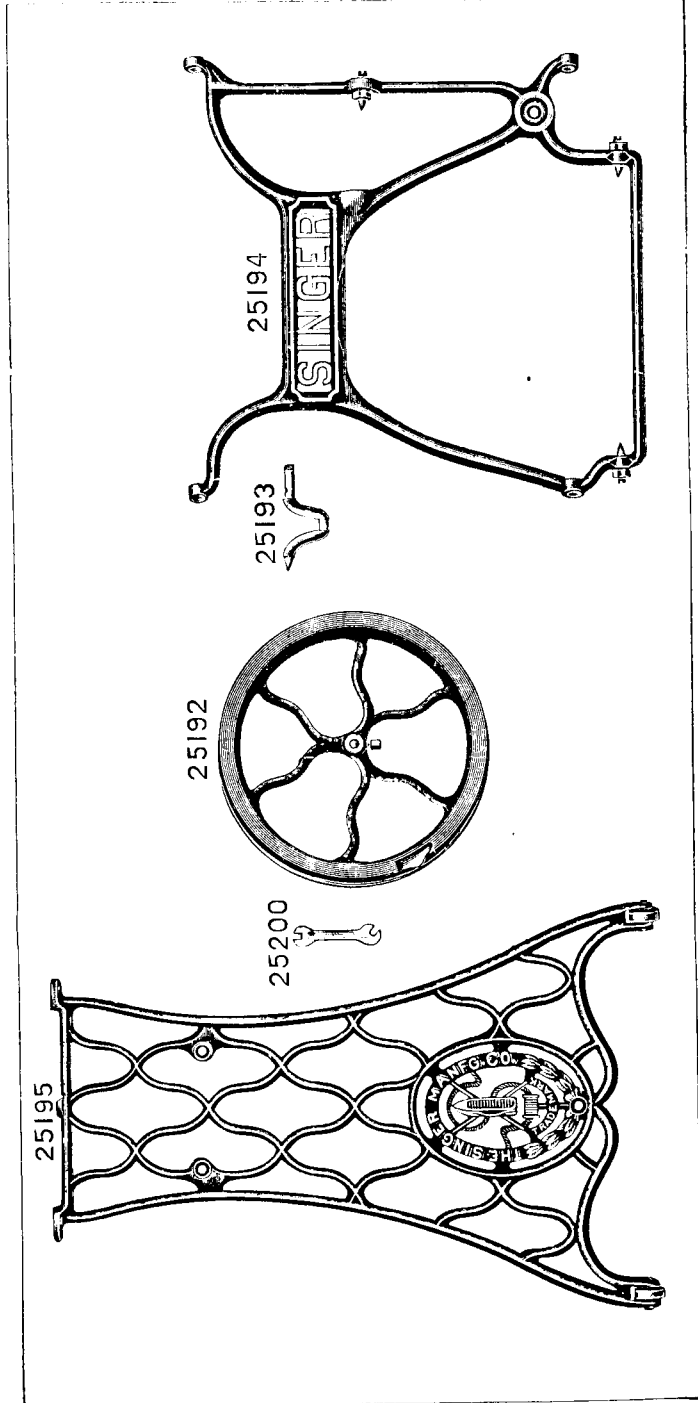


PLATE 1900—FULL SIZE

